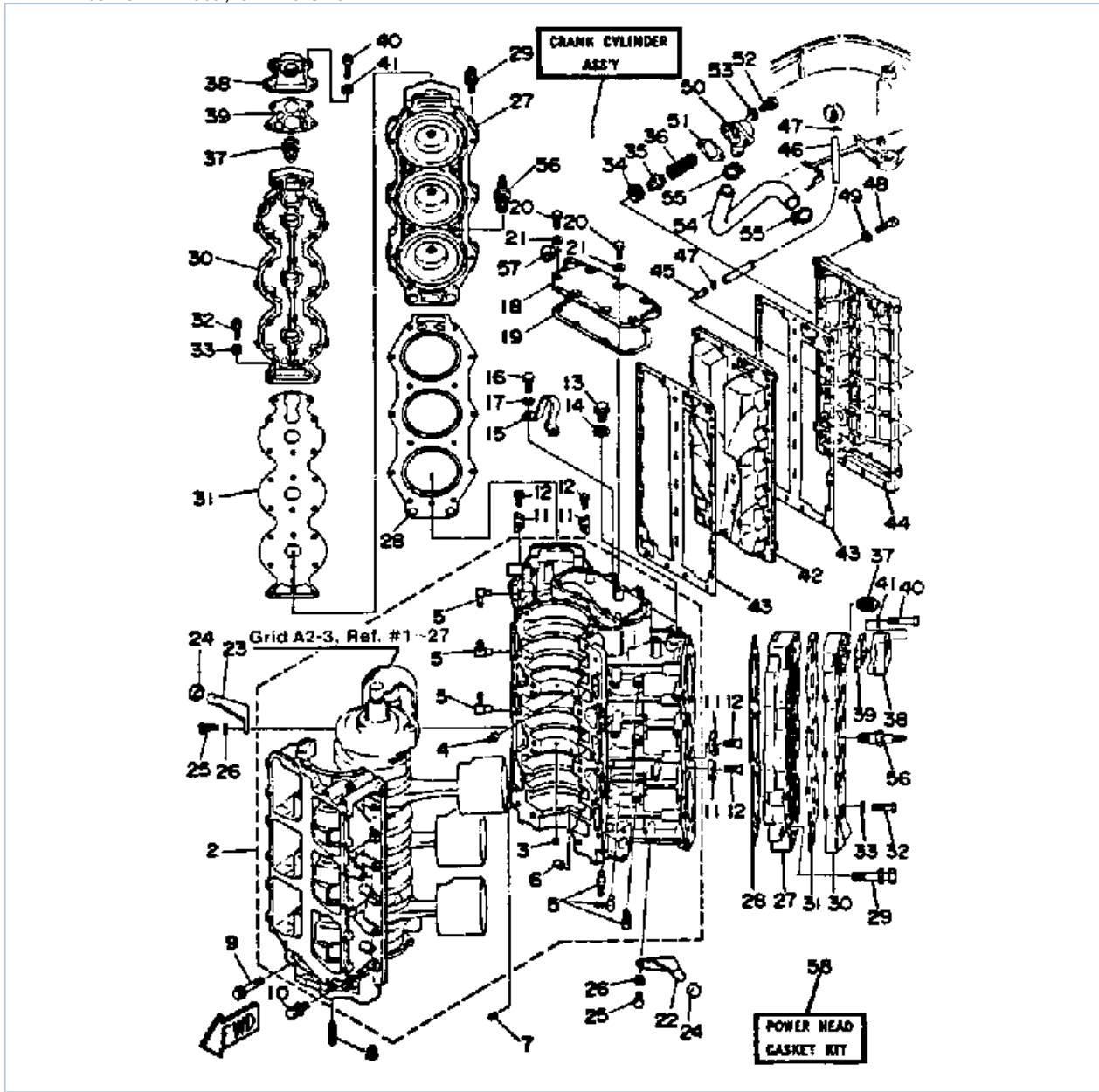


V6SPECIALXK 1985 / CRANKCASE CYLINDER



©2013 Yamaha Motor Corporation, U.S.A. All rights reserved.

Part List



V6SPECIALXK 1985 / CRANKCASE CYLINDER

| REF - NO | PART NUMBER | PART NAME | QUANTITY | REMARKS |
|----------------|-----------------|---|----------|---------|
| 1 | 6G7-W0090-06-EK | CRANK-CYLINDER ASSY (6G7-W0090-01-EK) (REF. #2~56 AND GR) | 1 | |
| 2 | 6G7-15100-04-94 | CRANKCASE ASSY (6G7- 15100-02-94) | 1 | |
| 3 | 624-11379-00-00 | .VALVE, CHECK | 2 | |
| 4 | 663-11518-01-00 | .LOCK, BEARING | 2 | |
| 5 | 646-11370-00-00 | .CHECK VALVE ASSY | 6 | |
| 6 | 90380-06M24-00 | .BUSH, SOLID (90380- 06M18-00) | 1 | |
| 7 | 93608-12063-00 | PIN, DOWEL | 2 | |
| 8 | 90116-08M14-00 | BOLT, STUD | 2 | |
| 9 | 90105-10M20-00 | BOLT, FLANGE | 8 | |
| 10 | 90119-08M23-00 | BOLT, W/WASHER | 12 | |
| 11 | 6E5-11325-00-00 | ANODE | 8 | |
| 12 | 98680-04016-00 | SCREW OVAL HEAD | 8 | |
| 13 | 90340-14M00-00 | .PLUG, STRAIGHT SCREW | 1 | |
| 14 | 90430-14115-00 | .GASKET | 1 | |
| 15 | 6E5-11119-00-00 | HANGER, ENGINE | 1 | |
| 16 | 97313-08020-00 | BOLT, HEXAGON | 2 | |
| 17 | 92990-08100-00 | WASHER, SPRING | 2 | |
| 18 | 6E5-11371-00-9M | COVER | 1 | |
| 19 | 6E5-11381-00-00 | GASKET 1 | 1 | |
| 20 | 97313-06020-00 | BOLT, HEXAGON | 7 | |
| 21 | 92990-06600-00 | WASHER, PLATE | 7 | |
| 22 | 6E5-42761-00-94 | STOPPER | 1 | |
| 23 | 6E5-42762-00-94 | STOPPER | 1 | |
| 24 | 663-44533-00-00 | DAMPER, UPPER MOUNT RUBBER | 2 | |
| 25 | 97313-06020-00 | BOLT, HEXAGON | 4 | |
| 26 | 92990-06600-00 | WASHER, PLATE | 4 | |
| 27 | 6G7-11111-01-94 | HEAD, CYLINDER (6G7- 11111-00-94) | 2 | |
| 28 | 6G5-11181-A0-00 | GASKET, CYLINDER HEAD 1 | 2 | |
| 29 | 90119-08M21-00 | BOLT, WITH WASHER | 28 | |
| 30 | 6G5-11191-00-9M | COVER, CYLINDER HEAD 1 | 2 | |
| 31 | 6G5-11193-01-00 | GASKET, HEAD COVER 1 | 2 | |
| 32 | 97313-06030-00 | BOLT | 36 | |
| 33 | 92990-06600-00 | WASHER, PLATE | 36 | |
| 34 | 90480-20M05-00 | GROMMET | 1 | |
| 35 | 6G5-12416-00-00 | VALVE, PRESSURE CONTROL | 1 | |
| 36 | 90501-16M11-00 | SPRING, COMPRESSION | 1 | |
| 37 | 6E5-12411-20-00 | THERMOSTAT | 2 | |
| 38 | 6G5-12413-00-9M | COVER, THERMOSTAT | 2 | |
| 39 | 688-12414-A1-00 | .GASKET, COVER | 2 | |
| 40 | 97313-06045-00 | BOLT, HEXAGON | 8 | |
| 41 | 92990-06600-00 | WASHER, PLATE | 8 | |
| 42 | 6G5-41111-00-9M | INNER COVER, EXHAUST | 1 | |
| 43 | 6G5-41112-A1-00 | GASKET, EXHAUST INNER COVER | 2 | |
| 44 | 6G5-41113-00-9M | OUTER COVER, EXHAUST | 1 | |
| 45 | 652-24461-00-00 | PIPE, JOINT 4 | 1 | |
| 46 | 6E5-24312-00-00 | PIPE 2 | 1 | |
| 47 | 90467-08004-00 | CLIP | 2 | |
| 48 | 97013-06035-00 | BOLT | 29 | |
| 49 | 92990-06600-00 | WASHER, PLATE | 29 | |

| | | | | |
|----|-----------------|--------------------------------|---|----------|
| 50 | 6G5-11372-00-5B | NIPPLE, HOSE (6G5-11372-00-9M) | 1 | |
| 51 | 6G5-11382-A1-00 | .GASKET 2 | 1 | |
| 52 | 97313-06020-00 | BOLT, HEXAGON | 2 | |
| 53 | 92990-06600-00 | WASHER, PLATE | 2 | |
| 54 | 6G5-12576-00-00 | HOSE 1 | 1 | |
| 55 | 90465-13M36-00 | CLAMP | 2 | |
| 56 | NGK-BR8HS-10-00 | PLUG, SPARK (NGK BR8HS-10) | 6 | |
| 57 | 90465-08028-00 | CLAMP | 1 | |
| 58 | 6G5-W0001-03-00 | POWER HEAD GASKET KIT | 1 | SEE NOTE |

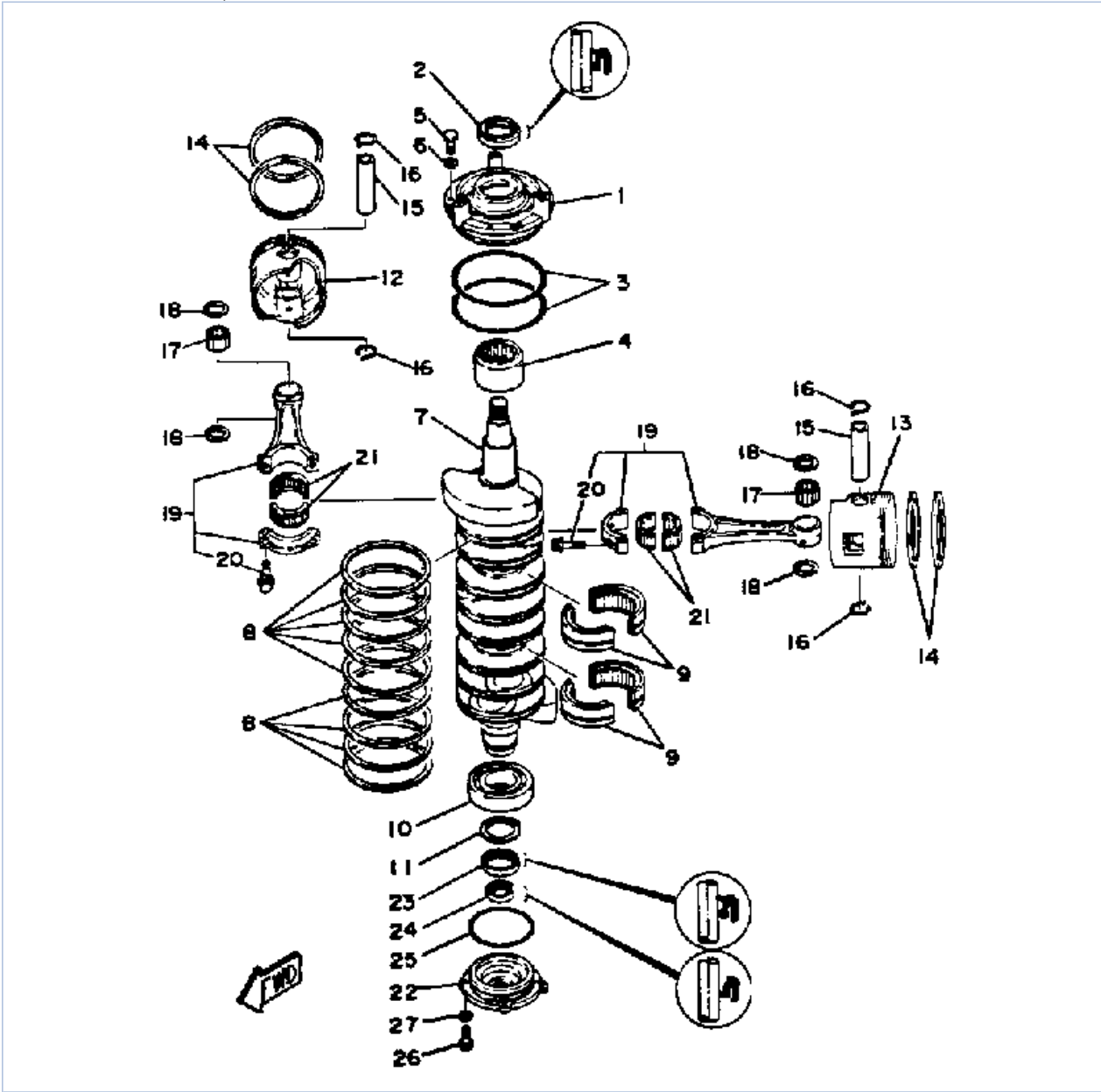
Part Notes

V6SPECIALXK 1985 / CRANKCASE CYLINDER

| PART NUMBER | | NOTE TEXT |
|-----------------|--|---|
| 92990-06600-00 |  | OEM: This part number is among the Top 100 Most Popular Marine Maintenance Parts as of August 2013. |
| 92990-06600-00 |  | OEM: This part number is among the Top 100 Most Popular Marine Maintenance Parts as of August 2013. |
| 92990-06600-00 |  | OEM: This part number is among the Top 100 Most Popular Marine Maintenance Parts as of August 2013. |
| 90480-20M05-00 |  | OEM: This part number is among the Top 100 Most Popular Marine Maintenance Parts as of August 2013. |
| 688-12414-A1-00 |  | OEM: This part number is among the Top 100 Most Popular Marine Maintenance Parts as of August 2013. |
| 92990-06600-00 |  | OEM: This part number is among the Top 100 Most Popular Marine Maintenance Parts as of August 2013. |
| 92990-06600-00 |  | OEM: This part number is among the Top 100 Most Popular Marine Maintenance Parts as of August 2013. |
| 92990-06600-00 |  | OEM: This part number is among the Top 100 Most Popular Marine Maintenance Parts as of August 2013. |

©2013 Yamaha Motor Corporation, U.S.A. All rights reserved.

V6SPECIALXK 1985 / CRANK PISTON



©2013 Yamaha Motor Corporation, U.S.A. All rights reserved.




Part List

V6SPECIALXK 1985 / CRANK PISTON

| REF - NO | PART NUMBER | PART NAME | QUANTITY | REMARKS |
|----------------|-----------------|---------------------------|----------|-----------------------|
| 1 | 6E5-15163-00-94 | HOUSING, BEARING 1 | 1 | |
| 2 | 93102-40M38-00 | OIL SEAL | 1 | |
| 3 | 93211-04384-00 | .O-RING | 2 | |
| 4 | 93311-940U3-00 | BEARING | 1 | |
| 5 | 97313-06020-00 | BOLT, HEXAGON | 4 | |
| 6 | 92990-06600-00 | WASHER, PLATE | 4 | |
| 7 | 6G5-11411-00-00 | CRANKSHAFT | 1 | |
| 8 | 6E5-11447-00-00 | SEAL, CRANK | 9 | |
| 9 | 93310-954V3-00 | BEARING, CYLINDRICAL | 2 | |
| 10 | 93306-208U0-00 | BEARING | 1 | |
| 11 | 93410-40M03-00 | CIRCLIP | 1 | |
| 12 | 6G7-11631-00-93 | PISTON STD | 3 | |
| 12 | 6G7-11636-00-00 | PISTON 2 O/S 0.50 | 3 | ALT. PART (NOT SHOWN) |
| 13 | 6G7-11642-00-93 | PISTON STD | 3 | |
| 13 | 6G7-11646-00-00 | PISTON 2ND | 3 | ALT. PART (NOT SHOWN) |
| 14 | 6E5-11610-23-00 | PISTON RING SET (2ND O/S) | 6 | ALT. PART (NOT SHOWN) |
| 14 | 6E5-11610-03-00 | PISTON RING SET | 6 | |
| 15 | 6E5-11633-01-00 | PIN, PISTON | 6 | |
| 16 | 6E5-11634-00-00 | CLIP, PISTON PIN | 12 | |
| 17 | 93603-21111-00 | PIN, DOWEL | 18 | |
| 18 | 90201-21M75-00 | WASHER, PLATE | 12 | |
| 19 | 6E5-11650-01-00 | CONNECTING ROD ASSY | 6 | |
| 20 | 90109-08M61-00 | .BOLT | 12 | |
| 21 | 93310-836V2-00 | BEARING | 6 | |
| 22 | 6G5-15359-00-94 | HOUSING, OIL SEAL | 1 | |
| 23 | 93102-35M13-00 | OIL SEAL | 1 | |
| 24 | 93101-22M15-00 | .OIL SEAL | 1 | |
| 25 | 93210-74M35-00 | .O-RING | 1 | |
| 26 | 97395-06020-00 | BOLT, HEXAGON | 4 | |
| 27 | 92990-06600-00 | WASHER, PLATE | 4 | |

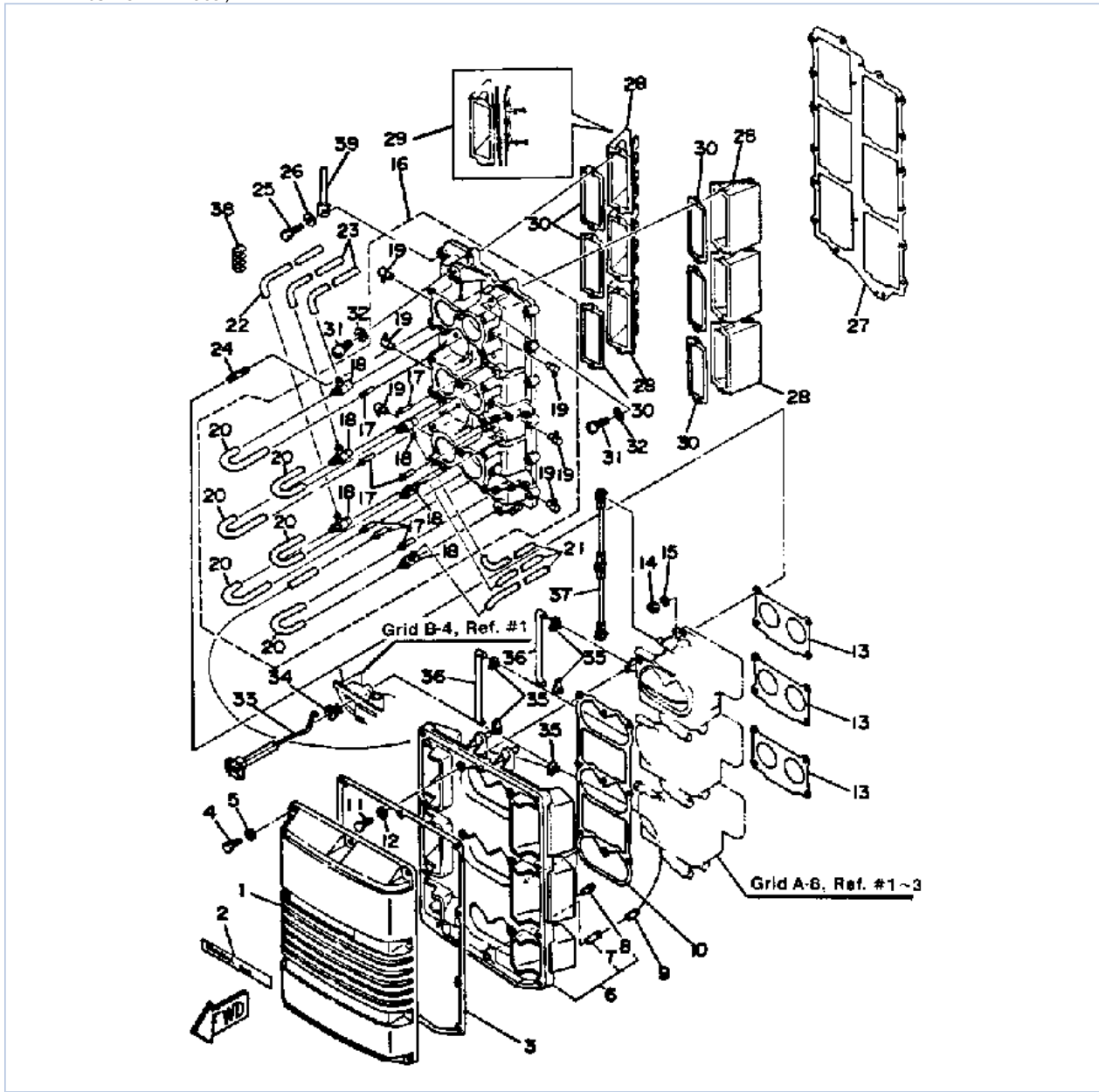
Part Notes

V6SPECIALXK 1985 / CRANK PISTON

| PART NUMBER | | NOTE TEXT |
|----------------|---|---|
| 92990-06600-00 |  | OEM: This part number is among the Top 100 Most Popular Marine Maintenance Parts as of August 2013. |
| 93603-21111-00 |  | OEM: This part number is among the Top 100 Most Popular Marine Maintenance Parts as of August 2013. |
| 92990-06600-00 |  | OEM: This part number is among the Top 100 Most Popular Marine Maintenance Parts as of August 2013. |

©2013 Yamaha Motor Corporation, U.S.A. All rights reserved.

V6SPECIALXK 1985 / INTAKE



©2013 Yamaha Motor Corporation, U.S.A. All rights reserved.





Part List

V6SPECIALXK 1985 / INTAKE

| REF - NO | PART NUMBER | PART NAME | QUANTITY | REMARKS |
|----------|-----------------|---------------------|----------|---------|
| 1 | 6G5-14418-00-00 | COVER 2 | 1 | |
| 2 | 6G5-1441K-00-00 | EMBLEM | 1 | |
| 3 | 6G5-14416-00-00 | GASKET, AIR CLEANER | 1 | |
| 4 | 97313-06020-00 | BOLT, HEXAGON | 10 | |
| 5 | 92990-06600-00 | WASHER, PLATE | 10 | |
| 6 | 6G5-14417-00-94 | COVER 1 | 1 | |
| 7 | 624-14485-00-00 | .PIPE, JOINT | 1 | |
| 8 | 6E5-14485-00-00 | .PIPE, JOINT | 1 | |
| 9 | 90445-07M23-00 | HOSE (L408) | 1 | |
| 10 | 6G5-14483-01-00 | GASKET | 1 | |
| 11 | 97313-06020-00 | BOLT, HEXAGON | 6 | |
| 12 | 92990-06600-00 | WASHER, PLATE | 6 | |
| 13 | 6E5-14198-A1-00 | GASKET | 3 | |
| 14 | 95380-06600-00 | NUT, HEXAGON | 12 | |
| 15 | 92995-06100-00 | WASHER, SPRING | 12 | |
| 16 | 6G5-13641-10-94 | MANIFOLD 1 | 1 | |
| 17 | 624-14485-00-00 | .PIPE, JOINT | 7 | |
| 18 | 6E5-11375-00-00 | .NIPPLE, HOSE 1 | 6 | |
| 19 | 6E5-13552-00-00 | .NOZZLE | 6 | |
| 20 | 90445-07M28-00 | .HOSE (L70) | 6 | |
| 21 | 90445-07M45-00 | HOSE (L340) | 3 | |
| 22 | 90445-07M59-00 | HOSE (L410) | 1 | |
| 23 | 90445-07M46-00 | HOSE (L360) | 2 | |
| 24 | 90116-06M08-00 | BOLT, STUD | 12 | |
| 25 | 97313-06025-00 | BOLT | 16 | |
| 26 | 92990-06600-00 | WASHER, PLATE | 16 | |
| 27 | 6G5-13645-A1-00 | GASKET, MANIFOLD 1 | 1 | |
| 28 | 6E5-13610-00-00 | REED VALVE ASSY | 6 | |
| 29 | 6E5-W0004-00-00 | .REED SET | 6 | |
| 30 | 6E5-13621-00-00 | GASKET, VALVE SEAT | 6 | |
| 31 | 98580-05016-00 | SCREW, PAN HEAD | 12 | |
| 32 | 92990-05600-00 | WASHER, PLATE | 12 | |
| 33 | 6E5-41271-02-00 | KNOB, CHOKE | 1 | |
| 34 | 689-41273-00-00 | GROMMET | 1 | |
| 35 | 661-41262-02-00 | JOINT, CHOKE LEVER | 5 | |
| 36 | 6E5-41256-01-00 | ROD, CHOKE 1 | 2 | |
| 37 | 6G5-41217-01-00 | ROD, ACCEL. LEVER | 1 | |
| 38 | 90464-07M05-00 | CLAMP | 2 | |
| 39 | 90465-07M20-00 | CLAMP | 4 | |

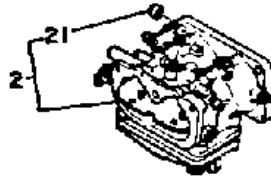
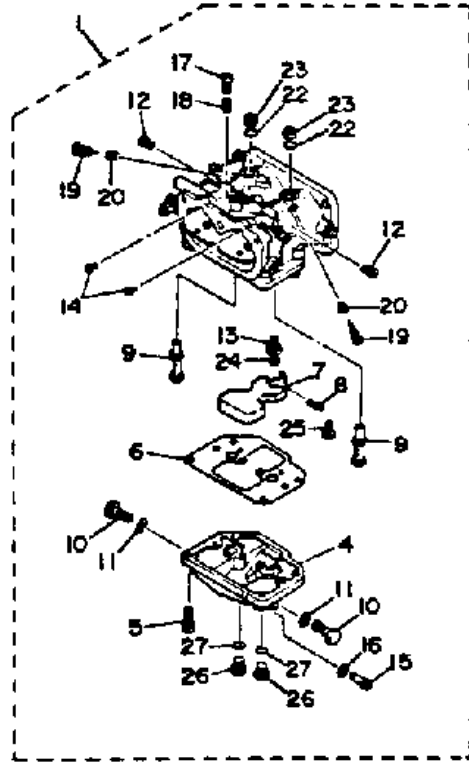
Part Notes

V6SPECIALXK 1985 / INTAKE

| PART NUMBER | NOTE TEXT |
|--|---|
| 92990-06600-00  | OEM: This part number is among the Top 100 Most Popular Marine Maintenance Parts as of August 2013. |
| 92990-06600-00  | OEM: This part number is among the Top 100 Most Popular Marine Maintenance Parts as of August 2013. |
| 92995-06100-00  | OEM: This part number is among the Top 100 Most Popular Marine Maintenance Parts as of August 2013. |
| 92990-06600-00  | OEM: This part number is among the Top 100 Most Popular Marine Maintenance Parts as of August 2013. |

©2013 Yamaha Motor Corporation, U.S.A. All rights reserved.

V6SPECIALXK 1985 / CARBURETOR



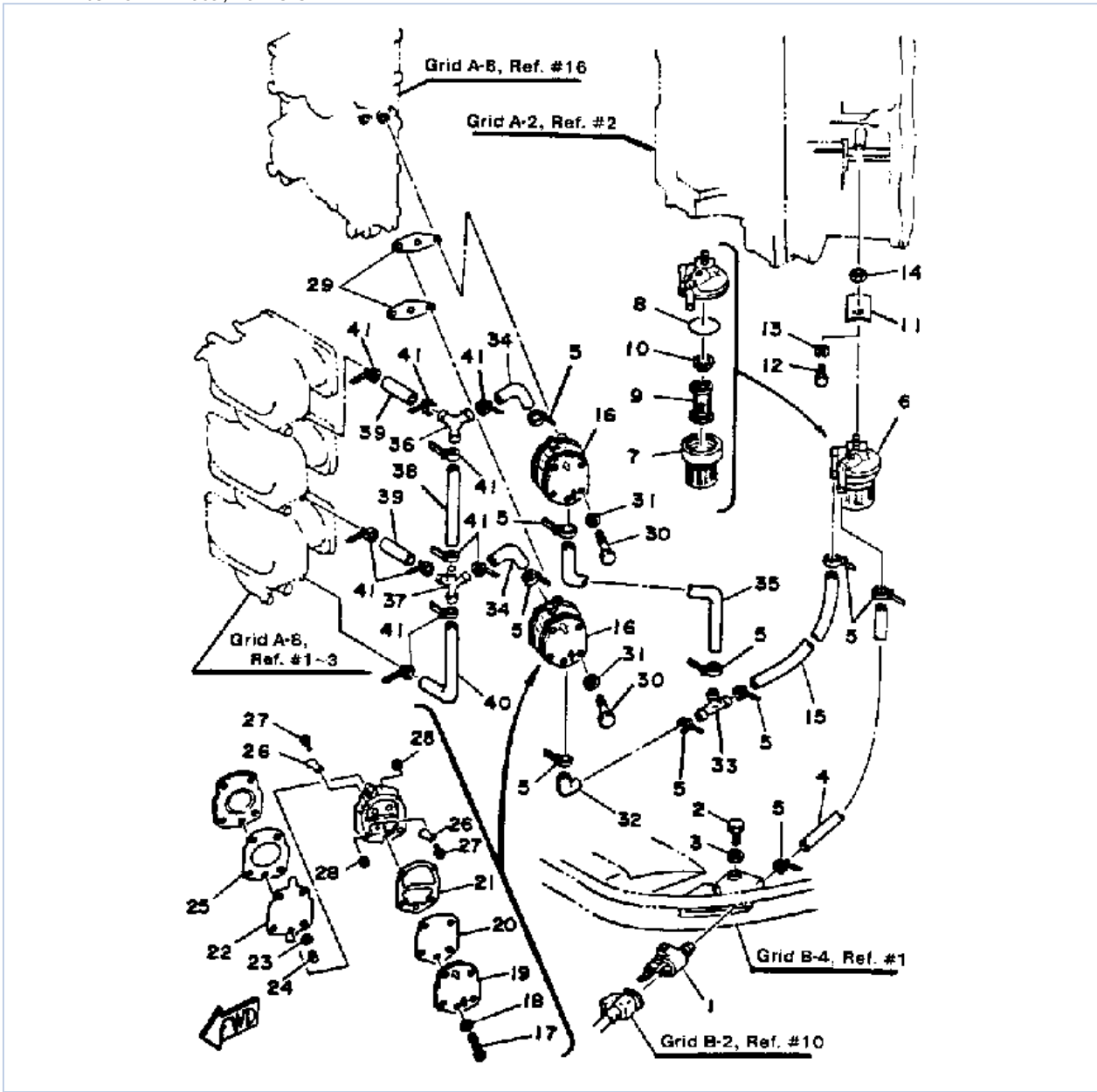
28
CARBURETOR
REPAIR SET

Part List

V6SPECIALXK 1985 / CARBURETOR

| REF - NO | PART NUMBER | PART NAME | QUANTITY | REMARKS |
|----------------|-----------------|---------------------------------|----------|---------|
| 1 | 6G7-14301-01-00 | CARBURETOR (UPPER) (UPPER) | 1 | |
| 2 | 6G7-14302-01-00 | CARBURETOR (CENTER) (CENTER) | 1 | |
| 3 | 6G7-14303-01-00 | CARBURETOR (LOWER) (LOWER) | 1 | |
| 4 | 6G4-14381-01-00 | .BODY, FLOAT CHAMBER | 3 | |
| 5 | 98580-05018-00 | .SCREW, PAN HEAD | 12 | |
| 6 | 6E5-14384-02-00 | .GASKET, FLOAT CHAMBER | 3 | |
| 7 | 6G4-14385-00-00 | .FLOAT ASSEMBLY | 3 | |
| 8 | 6E5-14386-01-00 | .PIN, FLOAT | 3 | |
| 9 | 6G7-14341-01-00 | .NOZZLE, MAIN | 6 | |
| 10 | 6E5-14343-85-00 | .JET, MAIN (170) | 1 | |
| 11 | 1J2-14398-00-00 | .GASKET | 6 | |
| 12 | 6G4-14342-45-00 | .JET, PILOT 90 (90) | 6 | |
| 13 | 6G4-14390-17-00 | .VALVE SEAT ASSEMBLY | 3 | |
| 14 | 6E5-14347-25-00 | .JET, AIR SLOW | 6 | |
| 15 | 6E5-14383-00-00 | .SCREW, DRAIN | 3 | |
| 16 | 6E5-14398-00-00 | .GASKET | 3 | |
| 17 | 650-14321-00-00 | .SCREW, THROTTLE (UPPER) | 1 | |
| 18 | 647-14334-00-00 | .SPRING | 1 | |
| 19 | 6F5-14323-01-00 | .SCREW, AIR ADJUSTING | 6 | |
| 20 | 650-14223-00-00 | .SPRING, DRAIN VALVE | 6 | |
| 21 | 682-41291-00-00 | .BUSHING | 1 | |
| 22 | 617-24565-00-00 | .GASKET | 6 | |
| 23 | 6G5-14328-00-00 | .SCREW, PILOT STOP | 6 | |
| 24 | 367-14195-00-00 | .GASKET | 3 | |
| 25 | 98901-04010-00 | .SCREW, BIND | 3 | |
| 26 | 6A4-14394-00-00 | .DRAIN, SCREW | 6 | |
| 27 | 652-14397-00-00 | .O-RING | 6 | |
| 28 | 6G5-W0093-02-00 | CARBURETOR REPAIR KIT | 1 | |

V6SPECIALXK 1985 / FUEL SYSTEM



©2013 Yamaha Motor Corporation, U.S.A. All rights reserved.





Part List

V6SPECIALXK 1985 / FUEL SYSTEM

| REF - NO | PART NUMBER | PART NAME | QUANTITY | REMARKS |
|----------------|-----------------|-------------------------|----------|---------|
| 1 | 6E5-24304-10-00 | FUEL PIPE JOINT COMP. 1 | 1 | |
| 2 | 97313-06020-00 | BOLT, HEXAGON | 1 | |
| 3 | 92990-06600-00 | WASHER, PLATE | 1 | |
| 4 | 6G5-24313-00-00 | PIPE 3 | 1 | |
| 5 | 90465-11M10-00 | CLAMP | 10 | |
| 6 | 6E5-24560-00-00 | FILTER ASSY | 1 | |
| 7 | 655-24521-01-00 | .CUP, FILTER | 1 | |
| 8 | 93210-37M25-00 | .O-RING | 1 | |
| 9 | 6F5-24563-00-00 | .ELEMENT, FILTER | 1 | |
| 10 | 655-24564-00-00 | .GASKET | 1 | |
| 11 | 648-24566-01-00 | BRACKET, FILTER | 1 | |
| 12 | 97313-06014-00 | BOLT, HEXAGON | 1 | |
| 13 | 92995-06100-00 | WASHER, SPRING | 1 | |
| 14 | 95333-08600-00 | NUT | 1 | |
| 15 | 6G5-24314-00-00 | PIPE 4 | 1 | |
| 16 | 6E5-24410-03-00 | FUEL PUMP ASSY | 2 | |
| 17 | 98580-05035-00 | .SCREW, PAN HEAD | 6 | |
| 18 | 92990-05600-00 | .WASHER, PLATE | 6 | |
| 19 | 6E5-24413-00-00 | BODY 2 | 2 | |
| 20 | 6E5-24471-00-00 | .DIAPHRAGM | 2 | |
| 21 | 6E5-24435-00-00 | .GASKET, BODY 2 | 2 | |
| 22 | 6E5-24411-00-00 | .DIAPHRAGM | 2 | |
| 23 | 648-24424-00-00 | .SEAT, SPRING | 2 | |
| 24 | 6E5-24423-00-00 | .SPRING, DIAPHRAGM | 2 | |
| 25 | 6E5-24434-02-00 | .GASKET, BODY | 2 | |
| 26 | 6A0-24421-01-00 | .VALVE, CHECK | 8 | |
| 27 | 98580-03008-00 | .SCREW, PAN HEAD | 8 | |
| 28 | 98813-03100-00 | .NUT | 8 | |
| 29 | 650-24431-A0-00 | GASKET, FUEL PUMP 1 | 2 | |
| 30 | 97313-06050-00 | BOLT | 4 | |
| 31 | 92990-06600-00 | WASHER, PLATE | 4 | |
| 32 | 6E5-24315-00-00 | PIPE 5 | 1 | |
| 33 | 6E5-24378-00-00 | PIPE, JOINT 3 | 1 | |
| 34 | 6E5-24316-00-00 | PIPE 6 | 2 | |
| 35 | 6G5-24315-00-00 | PIPE 5 | 1 | |
| 36 | 6G5-24376-00-00 | PIPE, JOINT 1 | 1 | |
| 37 | 6G5-24377-00-00 | PIPE, JOINT 2 | 1 | |
| 38 | 6G5-24317-01-00 | PIPE 7 | 1 | |
| 39 | 6G5-24318-00-00 | PIPE, OVERFLOW | 2 | |
| 40 | 6G5-24319-00-00 | PIPE, OIL | 1 | |
| 41 | 90465-11M10-00 | CLAMP | 10 | |

Part Notes

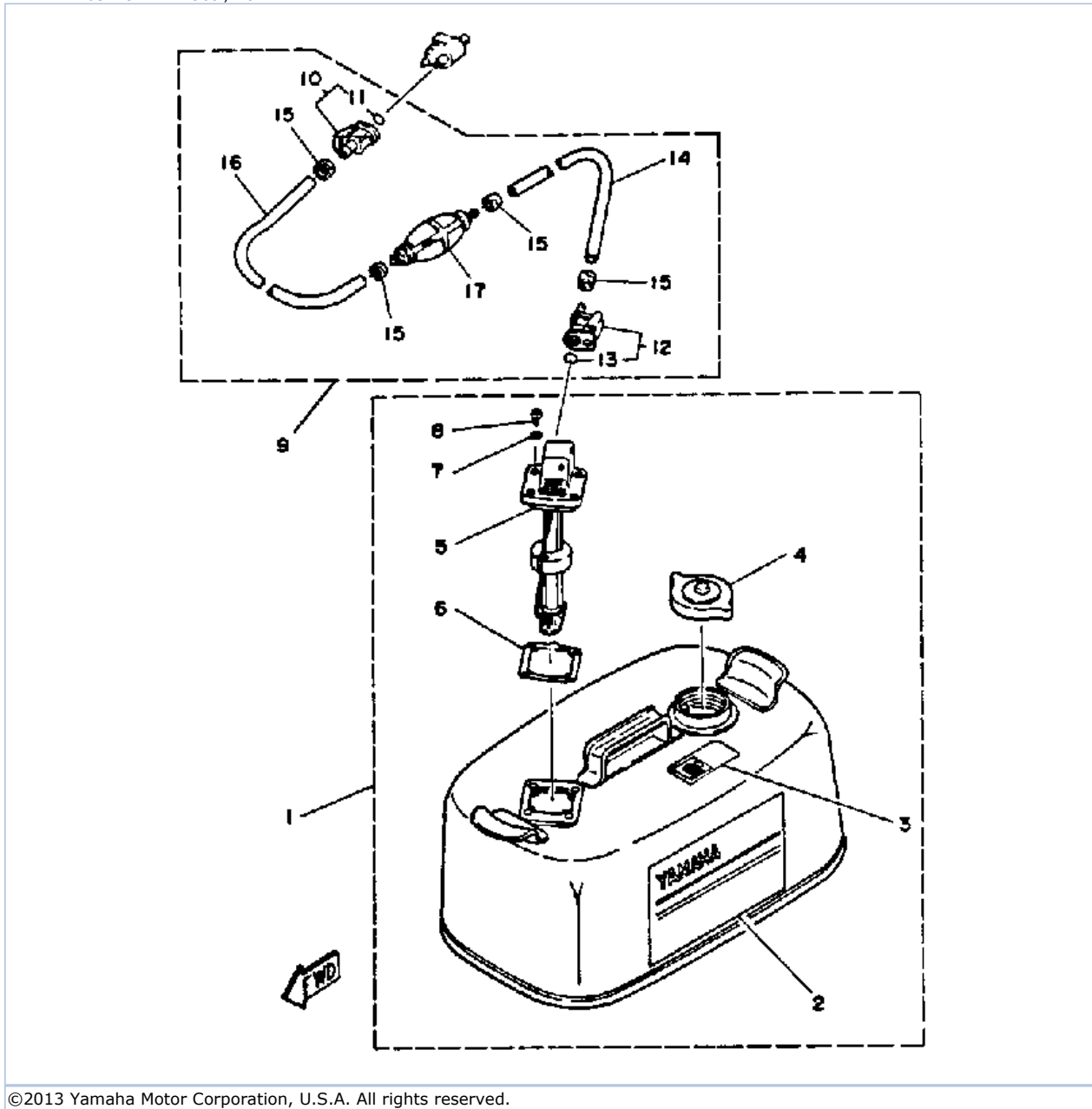
V6SPECIALXK 1985 / FUEL SYSTEM

| PART NUMBER | | NOTE TEXT |
|-----------------|---|---|
| 92990-06600-00 |  | OEM: This part number is among the Top 100 Most Popular Marine Maintenance Parts as of August 2013. |
| 92995-06100-00 |  | OEM: This part number is among the Top 100 Most Popular Marine Maintenance Parts as of August 2013. |
| 6E5-24410-03-00 |  | OEM: This part number is among the Top 100 Most Popular Marine Maintenance Parts as of August 2013. |
| 650-24431-A0-00 |  | OEM: This part number is among the Top 100 Most Popular Marine Maintenance Parts as of August 2013. |
| 92990-06600-00 | | OEM: This part number is among the Top 100 Most Popular Marine Maintenance Parts as of August 2013. |



©2013 Yamaha Motor Corporation, U.S.A. All rights reserved.

V6SPECIALXK 1985 / FUEL TANK



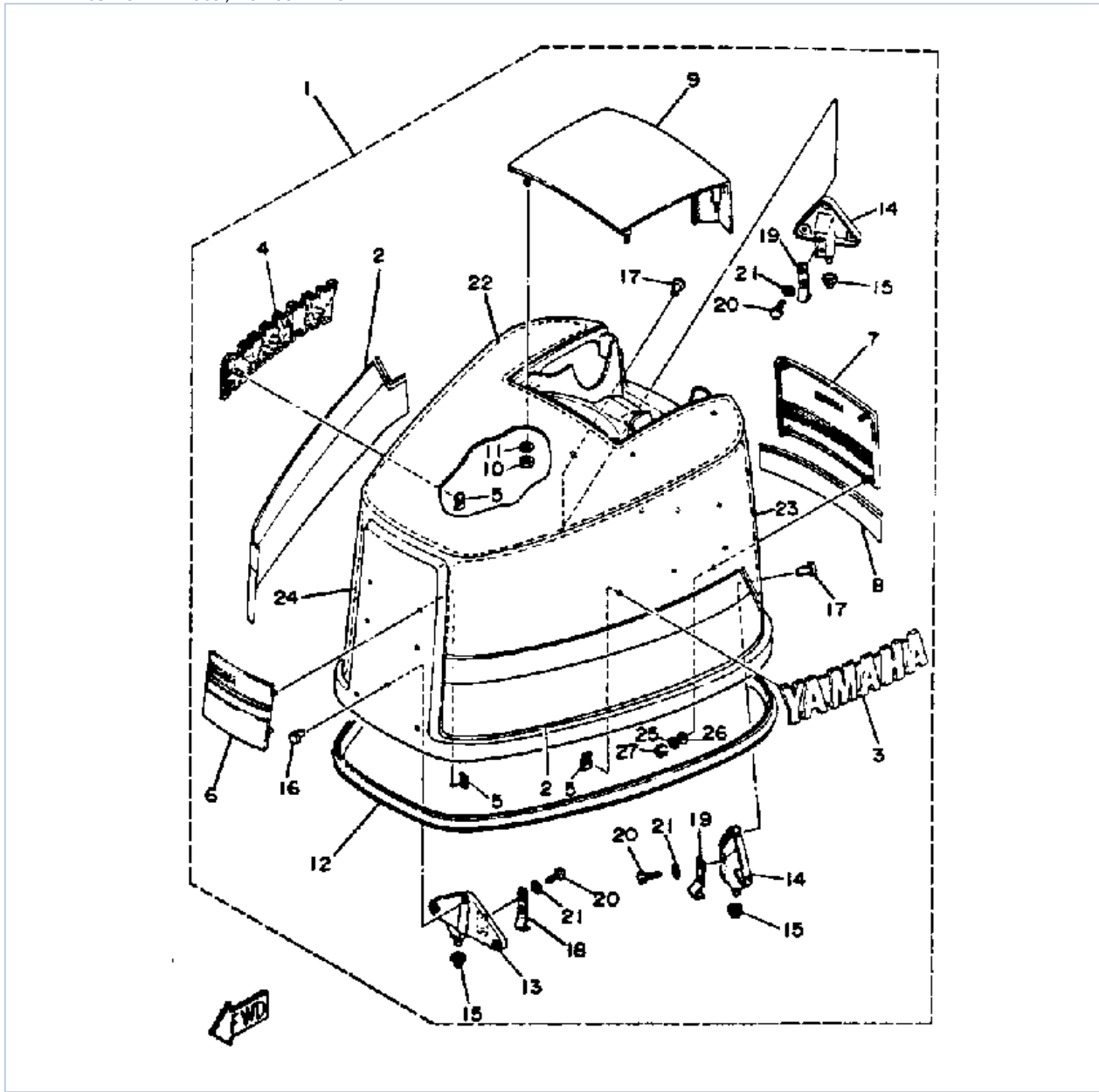
©2013 Yamaha Motor Corporation, U.S.A. All rights reserved.

Part List

V6SPECIALXK 1985 / FUEL TANK

| REF - NO | PART NUMBER | PART NAME | QUANTITY | REMARKS |
|----------------|-----------------|-------------------------|----------|---------|
| 1 | 6Y1-W2420-42-24 | FUEL TANK ASSEMBLY | 1 | |
| 2 | 6Y1-24244-20-00 | .GRAPHIC, SIDE | 1 | |
| 3 | 6Y1-24256-50-00 | .GRAPHIC, FUEL TANK | 1 | |
| 4 | 6Y1-24610-00-00 | .CAP ASSEMBLY | 1 | |
| 5 | 6Y1-24260-02-00 | .FUEL METER ASSEMBLY | 1 | |
| 6 | 6Y1-24268-00-00 | .GASKET, FUEL METER | 1 | |
| 7 | 6Y1-24329-00-00 | .SEAL | 4 | |
| 8 | 98586-05016-00 | .SCREW, PAN HEAD | 4 | |
| 9 | 6Y2-24306-51-00 | FUEL PIPE COMP 1 | 1 | |
| 10 | 6E5-24305-02-00 | .FUEL PIPE JOINT COMP 2 | 1 | |
| 11 | 93210-08287-00 | ..O-RING | 1 | |
| 12 | 6Y2-24305-02-00 | .FUEL PIPE JOINT COMP 2 | 1 | |
| 13 | 93210-08287-00 | ..O-RING | 1 | |
| 14 | 90445-13M33-00 | .HOSE (8-13-1900MM) | 1 | |
| 15 | 6E5-24351-51-00 | .BAND 1 | 4 | |
| 16 | 90445-13M34-00 | .HOSE (8-13-1000MM) | 1 | |
| 17 | 6Y2-24360-51-00 | .PRIMER PUMP ASSY | 1 | |

V6SPECIALXK 1985 / TOP COWLING



©2013 Yamaha Motor Corporation, U.S.A. All rights reserved.



Part List

V6SPECIALXK 1985 / TOP COWLING

| REF - NO | PART NUMBER | PART NAME | QUANTITY | REMARKS |
|----------------|-----------------|---------------------------------|----------|---------|
| 1 | 6G7-42610-40-EK | TOP COWLING ASSEMBLY | 1 | |
| 2 | 6G7-W0070-00-00 | .GRAPHIC SET | 1 | |
| 3 | 6G7-42681-00-00 | .MARK, COWLING 1 | 1 | |
| 4 | 6G7-42682-00-00 | .MARK, COWLING 2 | 1 | |
| 5 | 90183-05M01-00 | .NUT, SPRING | 10 | |
| 6 | 6G5-42686-00-00 | .EMBLEM, FRONT | 1 | |
| 7 | 6G7-42687-40-00 | .EMBLEM, REAR | 1 | |
| 8 | 6G5-42678-20-00 | .GRAPHIC, REAR | 1 | |
| 9 | 6G5-42613-00-EK | .MOLDING, AIR DUCT | 1 | |
| 10 | 95380-06600-00 | .NUT, HEXAGON | 4 | |
| 11 | 92990-06600-00 | .WASHER, PLATE | 4 | |
| 12 | 6E5-42615-00-00 | .SEAL | 1 | |
| 13 | 6E5-42647-00-94 | .HOLDER, CLAMP BAND | 1 | |
| 14 | 6E5-42649-01-94 | .HOLDER, CLAMP BAND | 2 | |
| 15 | 663-42662-00-00 | .DAMPER | 3 | |
| 16 | 90266-06M02-00 | .RIVET | 3 | |
| 17 | 90266-06M02-00 | .RIVET | 6 | |
| 18 | 688-42652-10-00 | .HOOK | 1 | |
| 19 | 6E5-42652-00-00 | .HOOK | 2 | |
| 20 | 97395-06016-00 | .BOLT | 6 | |
| 21 | 92990-06600-00 | .WASHER, PLATE | 6 | |
| 22 | 6E5-42617-00-00 | .DAMPER, FORM | 1 | |
| 23 | 689-W4266-50-00 | .DAMPER, FORM (6G5-42619-00-00) | 1 | |
| 24 | 689-W4266-50-00 | .DAMPER, FORM (6G5-42619-00-00) | 1 | |
| 25 | 90202-06058-00 | .WASHER, PLATE | 4 | |
| 26 | 90201-06M02-00 | .WASHER, PLATE | 4 | |
| 27 | 95380-06600-00 | .NUT, HEXAGON | 4 | |

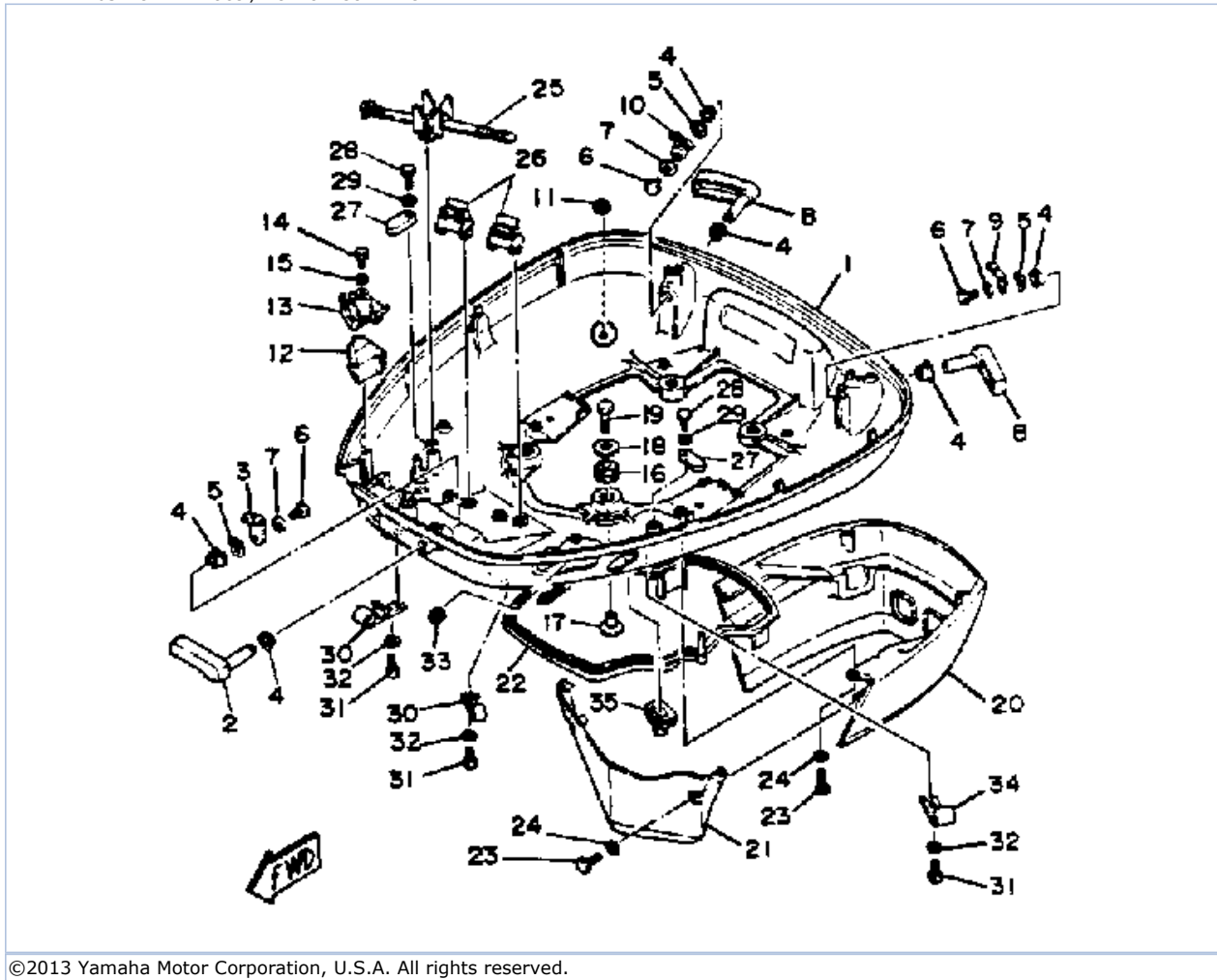
Part Notes

V6SPECIALXK 1985 / TOP COWLING

| PART NUMBER | | NOTE TEXT |
|----------------|---|---|
| 92990-06600-00 |  | OEM: This part number is among the Top 100 Most Popular Marine Maintenance Parts as of August 2013. |
| 92990-06600-00 |  | OEM: This part number is among the Top 100 Most Popular Marine Maintenance Parts as of August 2013. |

©2013 Yamaha Motor Corporation, U.S.A. All rights reserved.

V6SPECIALXK 1985 / BOTTOM COWLING



©2013 Yamaha Motor Corporation, U.S.A. All rights reserved.





Part List

V6SPECIALXK 1985 / BOTTOM COWLING

| REF - NO | PART NUMBER | PART NAME | QUANTITY | REMARKS |
|----------------|-----------------|--------------------|----------|---------|
| 1 | 6E5-W4271-41-EK | COWLING, BOTTOM | 1 | |
| 2 | 688-42815-00-EK | LEVER, CLAMP | 1 | |
| 3 | 688-42816-00-00 | LEVER, CLAMP | 1 | |
| 4 | 90386-13M38-00 | BUSH | 6 | |
| 5 | 90206-13M10-00 | WASHER, WAVE | 3 | |
| 6 | 97395-06012-00 | BOLT | 3 | |
| 7 | 90201-06M02-00 | WASHER, PLATE | 3 | |
| 8 | 6E5-42817-00-EK | LEVER, CLAMP 3 | 2 | |
| 9 | 6G5-42816-00-00 | LEVER, CLAMP | 1 | |
| 10 | 6E5-42816-01-00 | LEVER, CLAMP | 1 | |
| 11 | 6E5-44391-00-00 | NIPPLE, HOSE | 1 | |
| 12 | 6E5-42725-11-00 | GROMMET | 1 | |
| 13 | 6E5-42738-00-5B | PLATE, FITTING | 1 | |
| 14 | 97313-06016-00 | BOLT, HEXAGON | 2 | |
| 15 | 92990-06600-00 | WASHER, PLATE | 2 | |
| 16 | 90480-22M15-00 | GROMMET | 4 | |
| 17 | 90387-08M37-00 | COLLAR | 4 | |
| 18 | 90201-08M54-00 | WASHER, PLATE | 4 | |
| 19 | 97090-08035-00 | BOLT | 4 | |
| 20 | 6E5-42741-00-EK | APRON | 1 | |
| 21 | 6E5-42771-00-EK | APRON | 1 | |
| 22 | 6E5-42716-00-00 | RUBBER, SEAL 1 | 1 | |
| 23 | 97395-06020-00 | BOLT, HEXAGON | 6 | |
| 24 | 92990-06600-00 | WASHER, PLATE | 6 | |
| 25 | 688-82594-00-00 | CLAMP | 1 | |
| 26 | 6E5-82594-00-00 | CLAMP | 2 | |
| 27 | 6E5-82588-00-00 | PLATE | 2 | |
| 28 | 97313-06020-00 | BOLT, HEXAGON | 2 | |
| 29 | 92990-06600-00 | WASHER, PLATE | 2 | |
| 30 | 6E5-24367-01-00 | CLAMP, FUEL PIPE 2 | 2 | |
| 31 | 90157-06M01-00 | SCREW, PAN HEAD | 3 | |
| 32 | 92990-06600-00 | WASHER, PLATE | 3 | |
| 33 | 90480-13M24-00 | GROMMET | 1 | |
| 34 | 6E5-24367-10-00 | CLAMP, FUEL PIPE 2 | 1 | |
| 35 | 688-42726-10-00 | GROMMET | 1 | |

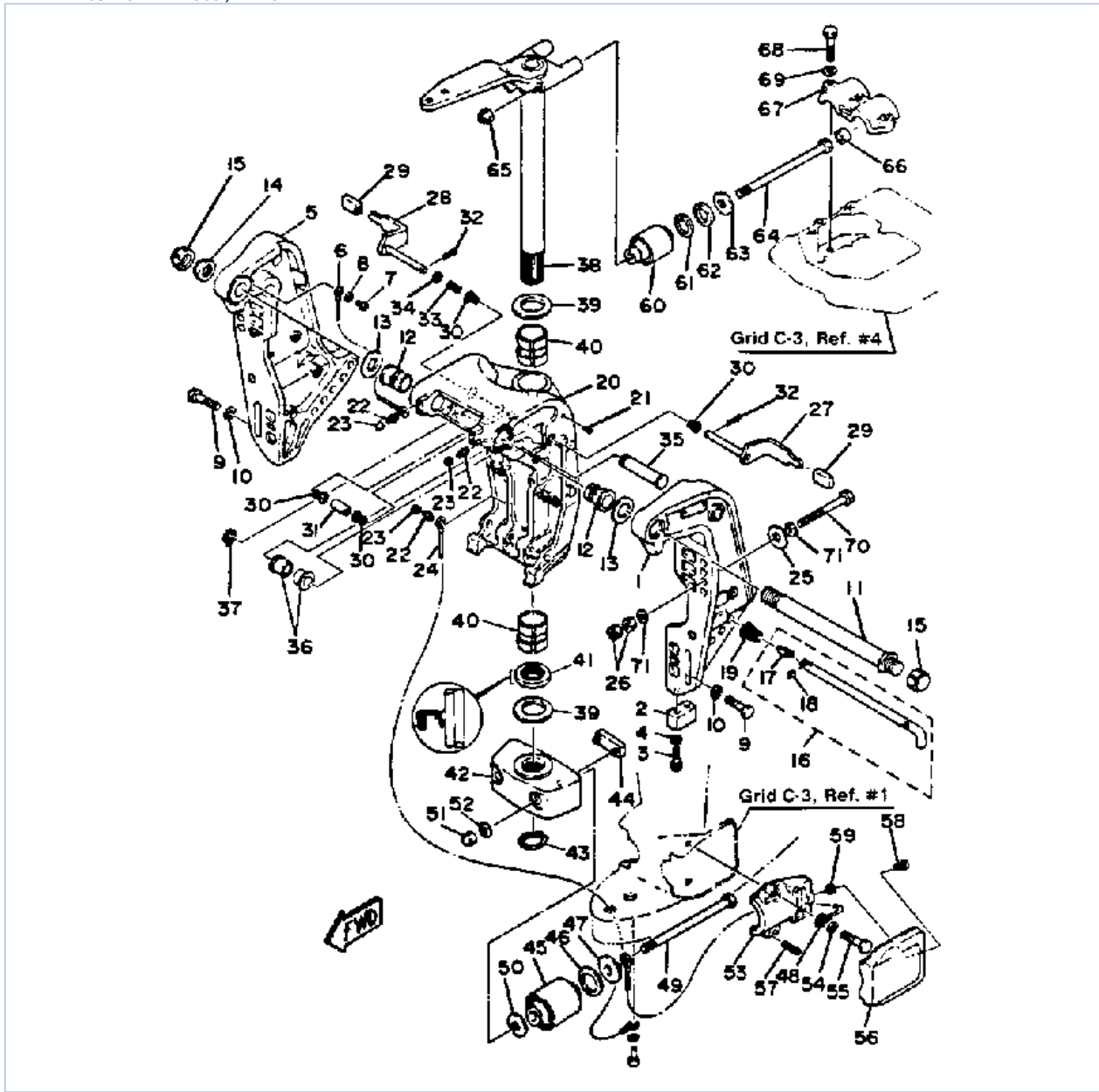
Part Notes

V6SPECIALXK 1985 / BOTTOM COWLING

| PART NUMBER | NOTE TEXT |
|--|---|
| 92990-06600-00  | OEM: This part number is among the Top 100 Most Popular Marine Maintenance Parts as of August 2013. |
| 92990-06600-00  | OEM: This part number is among the Top 100 Most Popular Marine Maintenance Parts as of August 2013. |
| 92990-06600-00  | OEM: This part number is among the Top 100 Most Popular Marine Maintenance Parts as of August 2013. |
| 92990-06600-00  | OEM: This part number is among the Top 100 Most Popular Marine Maintenance Parts as of August 2013. |

©2013 Yamaha Motor Corporation, U.S.A. All rights reserved.

V6SPECIALXK 1985 / BRACKET



©2013 Yamaha Motor Corporation, U.S.A. All rights reserved.

Part List





V6SPECIALXK 1985 / BRACKET

| REF - NO | PART NUMBER | PART NAME | QUANTITY | REMARKS |
|----------------|-----------------|---|----------|---------------------------|
| 1 | 6E5-43111-01-EK | BRACKET, CLAMP | 1 | |
| 2 | 6E5-45251-00-00 | ANODE | 1 | |
| 3 | 97395-06025-00 | BOLT | 2 | |
| 4 | 92990-06600-00 | WASHER, PLATE | 2 | |
| 5 | 6E5-43112-01-EK | BRACKET, CLAMP | 1 | |
| 6 | 6E5-82148-00-00 | WIRE, LEAD 4 | 1 | |
| 7 | 97890-06012-00 | SCREW, PAN HEAD | 1 | |
| 8 | 92990-06600-00 | WASHER, PLATE | 1 | |
| 9 | 97395-10045-00 | BOLT | 6 | |
| 10 | 92990-10100-00 | WASHER, SPRING | 6 | |
| 11 | 6E5-43131-01-00 | BOLT, CLAMP BRACKET | 1 | |
| 12 | 90386-25M31-00 | BUSH | 2 | |
| 13 | 90201-26M59-00 | WASHER, PLATE | 2 | |
| 14 | 90185-22043-00 | NUT, SELF-LOCKING | 1 | |
| 15 | 6G5-43145-00-00 | CAP, CLAMP BRACKET | 2 | |
| 16 | 6E5-43160-10-00 | TILT ROD ASSEMBLY | 1 | |
| 17 | 688-43165-00-00 | .PLATE, TILT LOCK | 1 | |
| 18 | 91690-30014-00 | .PIN, SPRING | 1 | |
| 19 | 90502-20M03-00 | SPRING, CONICAL | 1 | |
| 20 | 6E5-43311-02-EK | BRACKET, SWIVEL | 1 | UR LONG |
| 20 | 6E5-43311-21-EK | BRACKET, SWIVEL | 1 | UR ULTRA LONG (NOT SHOWN) |
| 21 | 90269-03010-00 | RIVET | 1 | |
| 22 | 93700-06M03-00 | NIPPLE, GREASE | 3 | |
| 23 | 663-45119-00-00 | CAP, GREASE NIPPLE | 3 | |
| 24 | 6E5-82147-00-00 | WIRE, LEAD 5 | 1 | UR LONG |
| 24 | 6E5-82147-20-00 | WIRE, LEAD 5 | 1 | UR ULTRA LONG (NOT SHOWN) |
| 25 | 90201-12426-00 | WASHER, PLATE | 4 | |
| 26 | 95380-12600-00 | NUT | 8 | |
| 27 | 6E5-43181-01-00 | LEVER, TILT STOP (6E5-43181-00-00) | 1 | |
| 28 | 6E5-43185-01-00 | LEVER, TILT STOP (6E5-43185-00-00) | 1 | |
| 29 | 663-43318-00-00 | COVER | 2 | |
| 30 | 90386-10M16-00 | BUSH | 4 | |
| 31 | 90387-10M38-00 | COLLAR | 1 | |
| 32 | 91490-30030-00 | PIN, COTTER | 2 | |
| 33 | 90501-10M21-00 | SPRING, COMPRESSION | 1 | |
| 34 | 92990-10600-00 | WASHER, PLATE | 1 | |
| 35 | 6E5-43126-02-00 | PIN, UPPER SHOCK MOUNT | 1 | |
| 36 | 90386-18M44-00 | BUSH | 2 | |
| 37 | 93410-18M02-00 | CIRCLIP | 1 | |
| 38 | 6E5-42510-01-EK | STEERING BRACKET ASSY (6E5-42510-00-EK) | 1 | UR LONG |
| 38 | 6E5-42510-21-EK | STEERING BRACKET ASSY (6E5-42510-20-EK) | 1 | UR ULTRA LONG (NOT SHOWN) |
| 39 | 90201-38M60-00 | WASHER, PLATE | 2 | |
| 40 | 90386-38M32-00 | BUSH | 2 | |
| 41 | 93109-38M02-00 | OIL SEAL | 1 | |
| 42 | 99999-01871-00 | HOUSING, LOWER MOUNT (6E5-44551-00-EK) | 1 | |
| 42 | 6G5-44551-00-EK | .HOUSING, LOWER MOUNT | 1 | |
| 42 | 90109-14M34-00 | .BOLT | 2 | |
| 43 | 93410-37M04-00 | CIRCLIP | 1 | |
| 44 | 6E5-44575-00-00 | DAMPER, LOWER MOUNT RUBBER | 1 | |

| | | | | |
|----|-----------------|-----------------------------|---|--|
| 45 | 6G5-44555-00-94 | MOUNT DAMPER, LOWER SIDE | 2 | |
| 46 | 90202-32M19-00 | WASHER, PLATE | 2 | |
| 47 | 90201-16M55-00 | WASHER, PLATE | 2 | |
| 48 | 6E5-82149-00-00 | WIRE, LEAD 3 | 1 | |
| 49 | 90109-14M10-00 | BOLT | 2 | |
| 50 | 90201-15M58-00 | WASHER, PLATE | 2 | |
| 51 | 95380-14800-00 | NUT | 2 | |
| 52 | 92990-14600-00 | WASHER | 2 | |
| 53 | 6E5-44552-00-94 | HOUSING, LOWER MOUNT RUBBER | 2 | |
| 54 | 92990-10100-00 | WASHER, SPRING | 4 | |
| 55 | 97395-10045-00 | BOLT | 4 | |
| 56 | 6E5-44553-00-EK | COVER, LOWER MOUNT | 2 | |
| 57 | 90501-16M28-00 | SPRING, COMPRESSION | 4 | |
| 58 | 98580-06016-00 | SCREW, PAN HEAD | 2 | |
| 59 | 90179-06066-00 | NUT | 2 | |
| 60 | 6G5-44514-00-94 | MOUNT DAMPER, UPPER SIDE | 2 | |
| 61 | 90201-26M57-00 | WASHER, PLATE | 2 | |
| 62 | 90202-26M18-00 | WASHER, PLATE | 2 | |
| 63 | 90201-14M56-00 | WASHER, PLATE | 2 | |
| 64 | 90109-12M39-00 | UNAVAILABLE IN PRICE BOOK | 2 | |
| 65 | 90185-12058-00 | NUT, SELF-LOCKING | 2 | |
| 66 | 663-44575-00-00 | DAMPER, LOWER MOUNT RUBBER | 2 | |
| 67 | 6E5-44511-00-5B | COVER, UPPER MOUNT | 1 | |
| 68 | 97395-10045-00 | BOLT | 3 | |
| 69 | 92990-10100-00 | WASHER, SPRING | 3 | |
| 70 | 90101-12M65-00 | BOLT | 4 | |
| 71 | 92990-12200-00 | WASHER, PLAIN | 8 | |

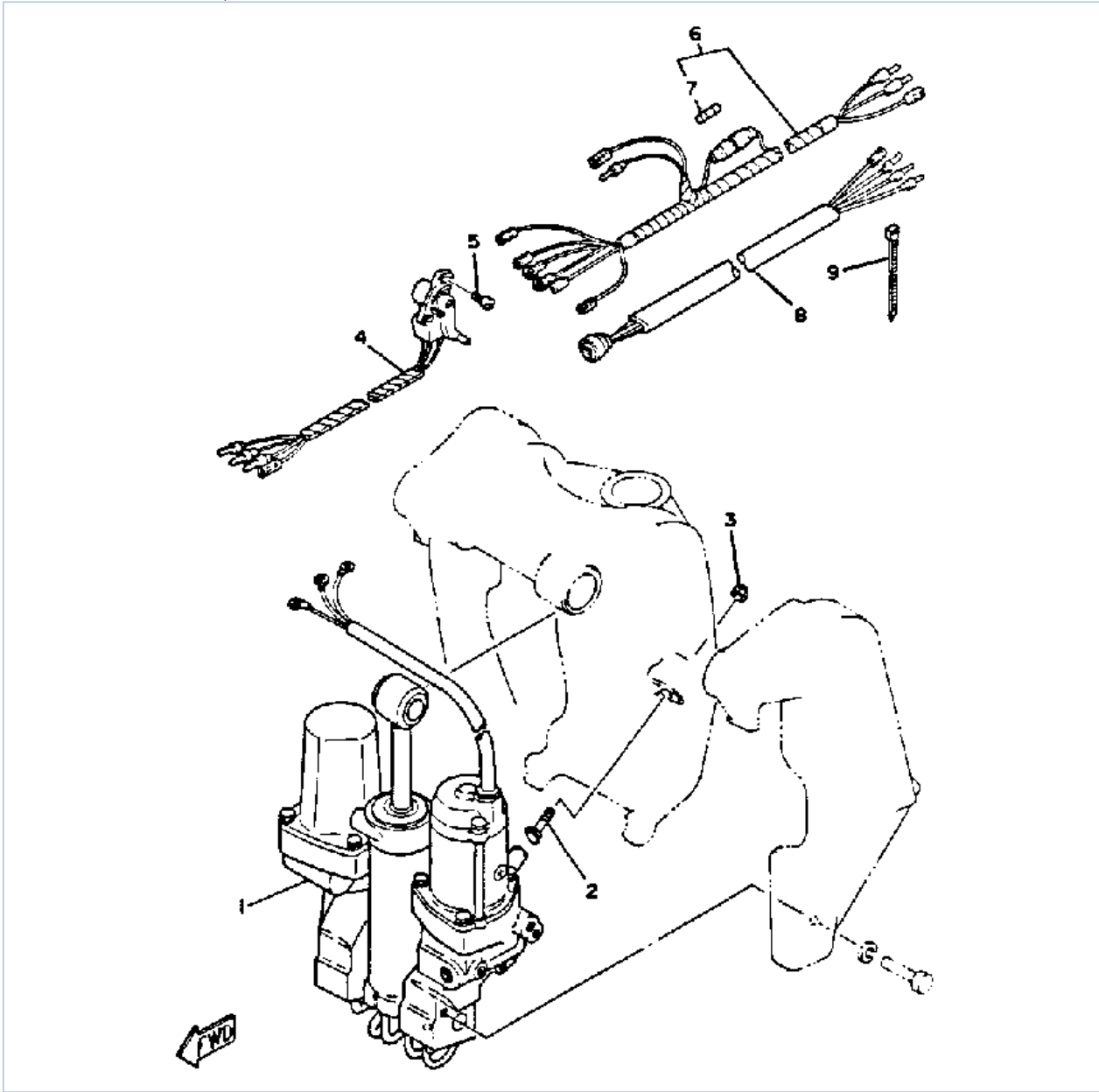
Part Notes

V6SPECIALXK 1985 / BRACKET

| PART NUMBER | | NOTE TEXT |
|----------------|---|---|
| 92990-06600-00 |  | OEM: This part number is among the Top 100 Most Popular Marine Maintenance Parts as of August 2013. |
| 92990-06600-00 |  | OEM: This part number is among the Top 100 Most Popular Marine Maintenance Parts as of August 2013. |
| 93700-06M03-00 |  | OEM: This part number is among the Top 100 Most Popular Marine Maintenance Parts as of August 2013. |
| 92990-10600-00 |  | OEM: This part number is among the Top 100 Most Popular Marine Maintenance Parts as of August 2013. |

©2013 Yamaha Motor Corporation, U.S.A. All rights reserved.

V6SPECIALXK 1985 / POWER TRIM TILT SENDER



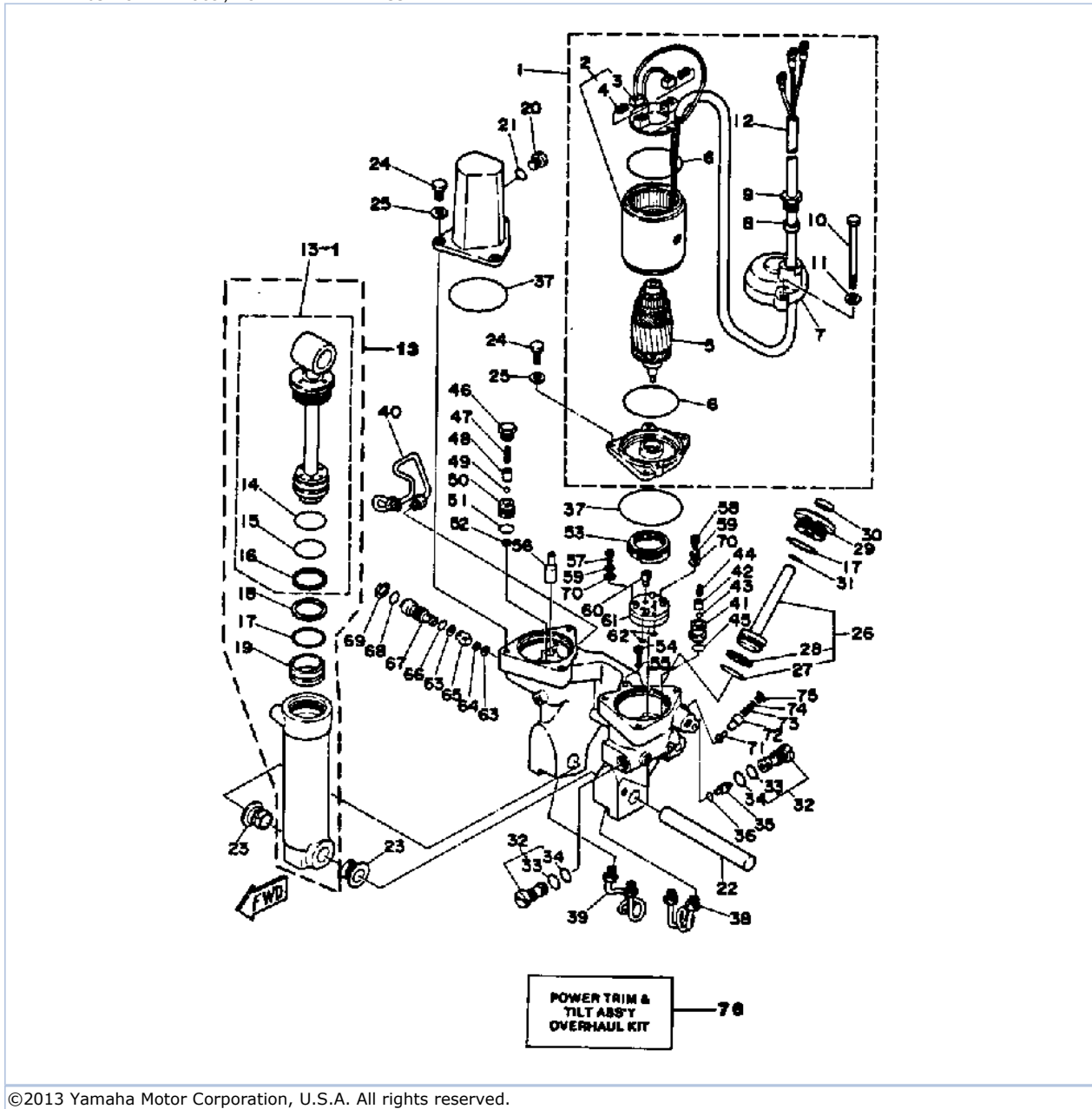
©2013 Yamaha Motor Corporation, U.S.A. All rights reserved.

Part List

V6SPECIALXK 1985 / POWER TRIM TILT SENDER

| REF - NO | PART NUMBER | PART NAME | QUANTITY | REMARKS |
|----------------|-----------------|-------------------------|----------|---------------------------|
| 1 | 6E5-43800-06-EK | POWER TRIM & TILT ASSY | 1 | V6LK-301024~ V6XK-700964~ |
| 2 | 6E5-43376-01-00 | BOLT, THRUST RECEIVER | 2 | |
| 3 | 95780-08300-00 | .NUT, FLANGE | 2 | |
| 4 | 6E5-83672-01-00 | TRIM SENDER | 1 | |
| 5 | 98580-06016-00 | SCREW, PAN HEAD | 2 | |
| 6 | 688-83553-10-00 | WIRE, LEAD | 1 | |
| 7 | 1E6-82151-00-00 | .FUSE (10A) | 1 | |
| 8 | 6E5-82553-10-00 | EXTENSION, WIRE HARNESS | 1 | |
| 8 | 6E5-82553-20-00 | EXTENSION, WIRE LEAD | 1 | OPTION |
| 9 | 90465-11M10-00 | CLAMP | 4 | |

V6SPECIALXK 1985 / POWER TRIM TILT ASSY



©2013 Yamaha Motor Corporation, U.S.A. All rights reserved.

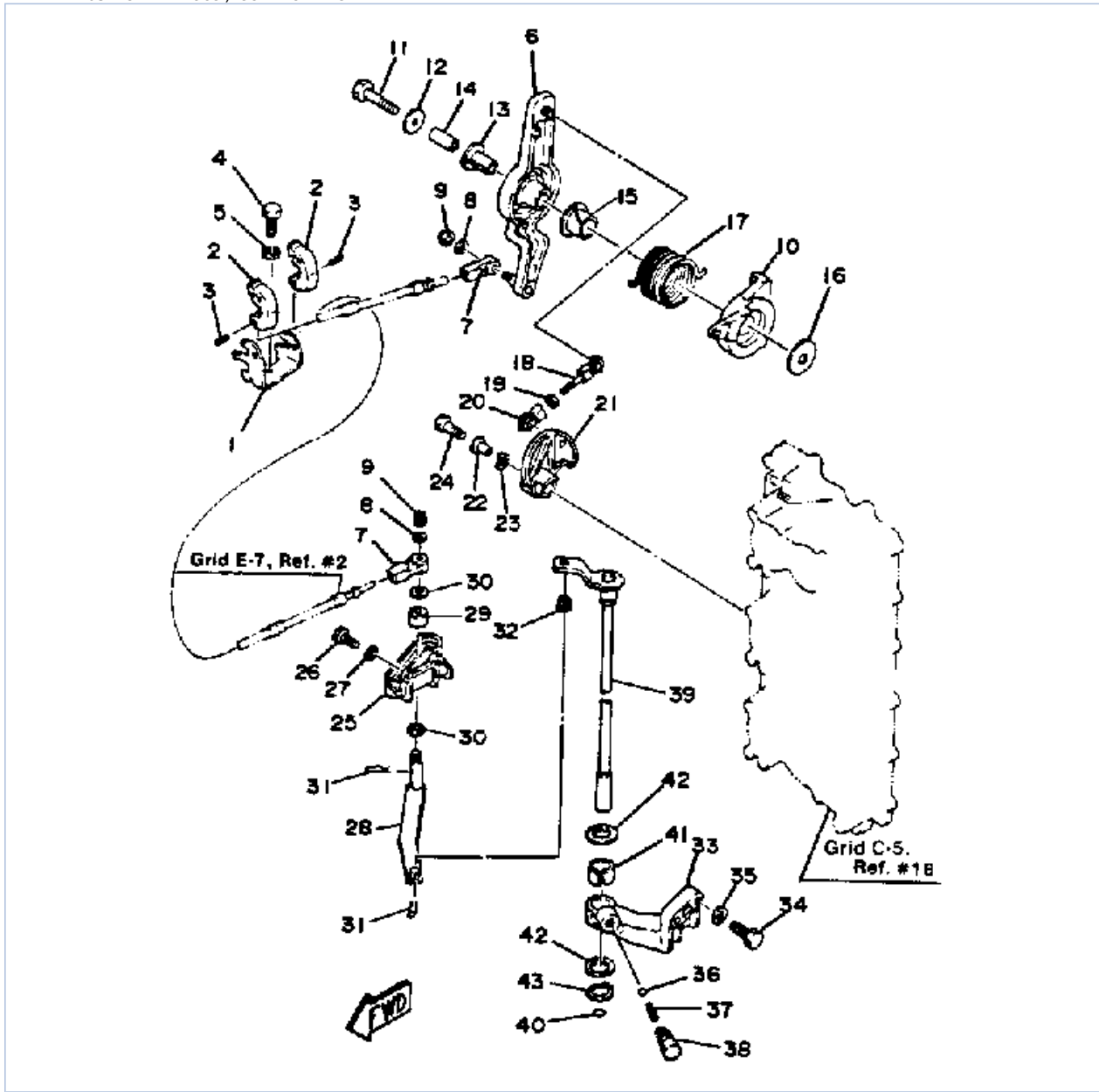
Part List

V6SPECIALXK 1985 / POWER TRIM TILT ASSY

| REF - NO | PART NUMBER | PART NAME | QUANTITY | REMARKS |
|----------------|-----------------|--|----------|---------|
| 1 | 6E5-43880-01-00 | .MOTOR ASSEMBLY | 1 | |
| 2 | 6E5-43804-00-00 | ..STATOR ASSEMBLY | 1 | |
| 3 | 6E5-43891-00-00 | ..BRUSH 1 | 2 | |
| 4 | 90501-05M54-00 | ..SPRING | 2 | |
| 5 | 6E5-43805-00-00 | ..ARMATURE ASSEMBLY | 1 | |
| 6 | 93210-71M76-00 | ..O-RING | 2 | |
| 7 | 6E5-43884-00-00 | ..FRAME, COMMUTATOR END | 1 | |
| 8 | 6E5-43885-00-00 | ..GROMMET | 1 | |
| 9 | 6E5-43886-00-00 | ..BOLT | 1 | |
| 10 | 6E5-43887-00-00 | ..BOLT | 2 | |
| 11 | 90201-05M01-00 | ..WASHER | 2 | |
| 12 | 6E5-43807-01-00 | ..WIRE SUB ASSEMBLY | 1 | |
| 13 | 6E5-4380E-02-00 | .TILT CYLINDER ASSEMBLY (86) (6E5-4380E-00) | 1 | |
| 13 | 6E5-43810-03-00 | ..PISTON SUB-ASSEMBLY (6E5-43810-02) | 1 | |
| 14 | 6E5-43861-00-00 | ..O-RING | 1 | |
| 15 | 6E5-43862-00-00 | ..O-RING | 1 | |
| 16 | 6E5-43872-00-00 | ..RING, BACK UP | 1 | |
| 17 | 6E5-43862-00-00 | ..O-RING | 3 | |
| 18 | 6E5-43872-00-00 | ..RING, BACK UP | 1 | |
| 19 | 6E5-43814-01-00 | ..PISTON, FREE | 1 | |
| 20 | 6E5-43829-00-00 | .PLUG, RESERVOIR | 1 | |
| 21 | 6E5-43863-00-00 | .O-RING | 1 | |
| 22 | 6E5-43818-00-00 | .PIN, LOWER SHOCK MOUNT | 1 | |
| 23 | 90386-18M14-00 | .BUSH | 2 | |
| 24 | 90101-06M85-00 | .BOLT | 6 | |
| 25 | 90209-06M09-00 | .WASHER | 6 | |
| 26 | 6E5-43820-02-00 | .PISTON SUB ASSEMBLY | 2 | |
| 27 | 6E5-43864-00-00 | ..O-RING | 2 | |
| 28 | 6E5-43874-01-00 | ..RING, BACK UP | 2 | |
| 29 | 6E5-43821-01-00 | .SCREW, TRIM CYLINDER END | 2 | |
| 30 | 6E5-43822-01-00 | .SEAL, TRIM DUST | 2 | |
| 31 | 6E5-43865-00-00 | .O-RING | 2 | |
| 32 | 6E5-43802-00-00 | .VALVE SUB ASSEMBLY | 2 | |
| 33 | 6E5-43866-00-00 | ..O-RING | 2 | |
| 34 | 6E5-43867-00-00 | ..O-RING | 2 | |
| 35 | 6E5-43841-01-00 | .PISTON, SHUTTLE | 1 | |
| 36 | 6E5-43868-00-00 | .O-RING | 1 | |
| 37 | 6E5-43869-00-00 | .O-RING | 2 | |
| 38 | 6E5-43833-01-00 | .PIPE | 1 | |
| 39 | 6E5-43834-01-00 | .PIPE | 1 | |
| 40 | 6E5-43835-01-00 | .PIPE | 1 | |
| 41 | 6E5-43851-01-00 | .SEAT, RELIEF VALVE | 1 | |
| 42 | 6E5-43844-02-00 | .PIN, VALVE SUPPORT | 1 | |
| 43 | 6E5-43858-00-00 | .BALL | 1 | |
| 44 | 6E5-43856-00-00 | .SPRING, DOWN RELIEF | 1 | |
| 45 | 6E5-43883-00-00 | .O-RING | 1 | |
| 46 | 6E5-43843-00-00 | .SCREW, VALVE LOCK | 1 | |
| 47 | 6E5-43855-00-00 | .SPRING, UP RELIEF | 1 | |
| 48 | 6E5-43859-00-00 | .PIN, VALVE SUPPORT | 1 | |
| 49 | 6E5-43877-01-00 | .BALL | 1 | |
| 50 | 6E5-43895-00-00 | .O-RING | 1 | |

| | | | | |
|----|-----------------|-------------------------|---|--|
| 51 | 6E5-43896-00-00 | .O-RING | 1 | |
| 52 | 6E5-43816-10-00 | .FILTER 1 | 1 | |
| 53 | 6E5-43817-10-00 | .FILTER 2 | 1 | |
| 54 | 90109-06M21-00 | .BOLT | 1 | |
| 55 | 6E5-43897-00-00 | .O-RING | 1 | |
| 56 | 6E5-43838-00-00 | .PIPE, INTAKE | 1 | |
| 57 | 6E5-43878-00-00 | .BOLT, SOCKET | 2 | |
| 58 | 6E5-43888-00-00 | .BOLT, SOCKET | 1 | |
| 59 | 90209-05M10-00 | .WASHER | 3 | |
| 60 | 6E5-43831-00-00 | .CONNECTOR, SHAFT | 1 | |
| 61 | 6E5-43830-00-00 | .GEAR PUMP ASSEMBLY | 1 | |
| 62 | 93210-07M78-00 | .O-RING | 2 | |
| 63 | 6E5-43847-00-00 | .SEAT, MANUAL VALVE | 2 | |
| 64 | 6E5-43854-01-00 | .SPRING, MANUAL RELEASE | 1 | |
| 65 | 6E5-4382A-00-00 | .ADAPTER 1 | 1 | |
| 66 | 93210-10M74-00 | .O-RING | 1 | |
| 67 | 6E5-43845-01-00 | .SCREW, MANUAL RELEASE | 1 | |
| 68 | 93210-18M75-00 | .O-RING | 1 | |
| 69 | 6H1-43875-00-00 | .RING, SNAP | 1 | |
| 70 | 90201-05M00-00 | .WASHER, PLATE | 3 | |
| 71 | 6E5-4381A-00-00 | .SHAFT | 1 | |
| 72 | 6E5-43849-01-00 | .PIN, VALVE SUPPORT | 1 | |
| 73 | 6E5-43824-01-00 | .SPRING, COMPRESSION | 1 | |
| 74 | 93210-06M77-00 | .O-RING | 1 | |
| 75 | 6E5-43842-00-00 | .SCREW, VALVE SEAT | 1 | |
| 76 | 6E5-W0094-00-00 | PT & T OVERHAUL KIT | 1 | |

V6SPECIALXK 1985 / CONTROL ENGINE



©2013 Yamaha Motor Corporation, U.S.A. All rights reserved.


Part List

V6SPECIALXK 1985 / CONTROL ENGINE

| REF - NO | PART NUMBER | PART NAME | QUANTITY | REMARKS |
|----------|-----------------|--|----------|---------------------------|
| 1 | 6E5-48531-00-00 | BRACKET, REMOTE CONTROL 1 | 1 | |
| 2 | 6E5-48538-00-00 | CLAMP, CABLE | 2 | |
| 3 | 91690-30012-00 | PIN, SPRING | 2 | |
| 4 | 97313-08020-00 | BOLT, HEXAGON | 1 | |
| 5 | 92990-08100-00 | WASHER, SPRING | 1 | |
| 6 | 61H-41632-00-94 | LEVER, MAGNETO CONTROL (6G5-41632-01-94) | 1 | |
| 7 | 6E5-48344-00-00 | CABLE END, REMOTE CONTROL | 2 | |
| 8 | 92990-06200-00 | ..WASHER, PLAIN | 2 | |
| 9 | 90185-06062-00 | NUT, SELF-LOCKING | 2 | |
| 10 | 6G7-41631-00-94 | LEVER, MAGNETO CONT | 1 | |
| 11 | 97313-08045-00 | BOLT, HEXAGON | 1 | |
| 12 | 90201-08M54-00 | WASHER, PLATE | 1 | |
| 13 | 90386-12089-00 | BUSH | 1 | |
| 14 | 90387-08M16-00 | COLLAR | 1 | |
| 15 | 90386-22M13-00 | BUSH | 1 | |
| 16 | 90201-08M13-00 | WASHER, PLATE | 1 | |
| 17 | 90508-29M12-00 | SPRING, TORSION | 1 | |
| 18 | 6G5-41211-01-00 | LINK, ACCEL. | 1 | |
| 19 | 95380-05600-00 | NUT | 1 | |
| 20 | 6H1-41237-00-00 | JOINT, LINK | 1 | |
| 21 | 6G7-41213-00-00 | CAM, ACCEL. | 1 | |
| 22 | 90387-06M29-00 | COLLAR | 1 | |
| 23 | 90206-10M04-00 | WASHER, WAVE | 1 | |
| 24 | 97313-06025-00 | BOLT | 1 | |
| 25 | 6E5-44117-00-94 | BRACKET | 1 | |
| 26 | 97313-06020-00 | BOLT, HEXAGON | 2 | |
| 27 | 92990-06600-00 | WASHER, PLATE | 2 | |
| 28 | 6E5-44121-00-00 | LEVER, SHIFT ROD | 1 | |
| 29 | 6E5-44122-00-00 | BUSHING, SHIFT ROD LEVER | 1 | |
| 30 | 90202-08M20-00 | WASHER, PLATE | 2 | |
| 31 | 90468-18008-00 | CLIP | 2 | |
| 32 | 90386-06M12-00 | BUSH | 1 | |
| 33 | 6E5-44118-01-94 | BRACKET | 1 | |
| 34 | 97313-08030-00 | BOLT | 2 | |
| 35 | 92990-08600-00 | .WASHER, PLATE | 2 | |
| 36 | 93501-04M02-00 | BALL | 1 | |
| 37 | 90501-12082-00 | SPRING, COMPRESSION | 1 | |
| 38 | 648-42715-00-00 | BUSHING | 1 | |
| 39 | 6E5-44120-02-00 | HANDEL, GEAR SHIFT ASSEMBLY | 1 | UR LONG |
| 39 | 6E5-44120-22-00 | HANDEL, GEAR SHIFT ASSEMBLY | 1 | UR ULTRA LONG (NOT SHOWN) |
| 40 | 93210-09350-00 | O-RING | 1 | |
| 41 | 90386-16M66-00 | BUSH | 1 | |
| 42 | 90202-16061-00 | WASHER, PLATE | 2 | |
| 43 | 99009-16400-00 | CIRCLIP | 1 | |

Part Notes

V6SPECIALXK 1985 / CONTROL ENGINE

| PART NUMBER | NOTE TEXT |
|---|---|
| 6H1-41237-00-00  | OEM: This part number is among the Top 100 Most Popular Marine Maintenance Parts as of August 2013. |

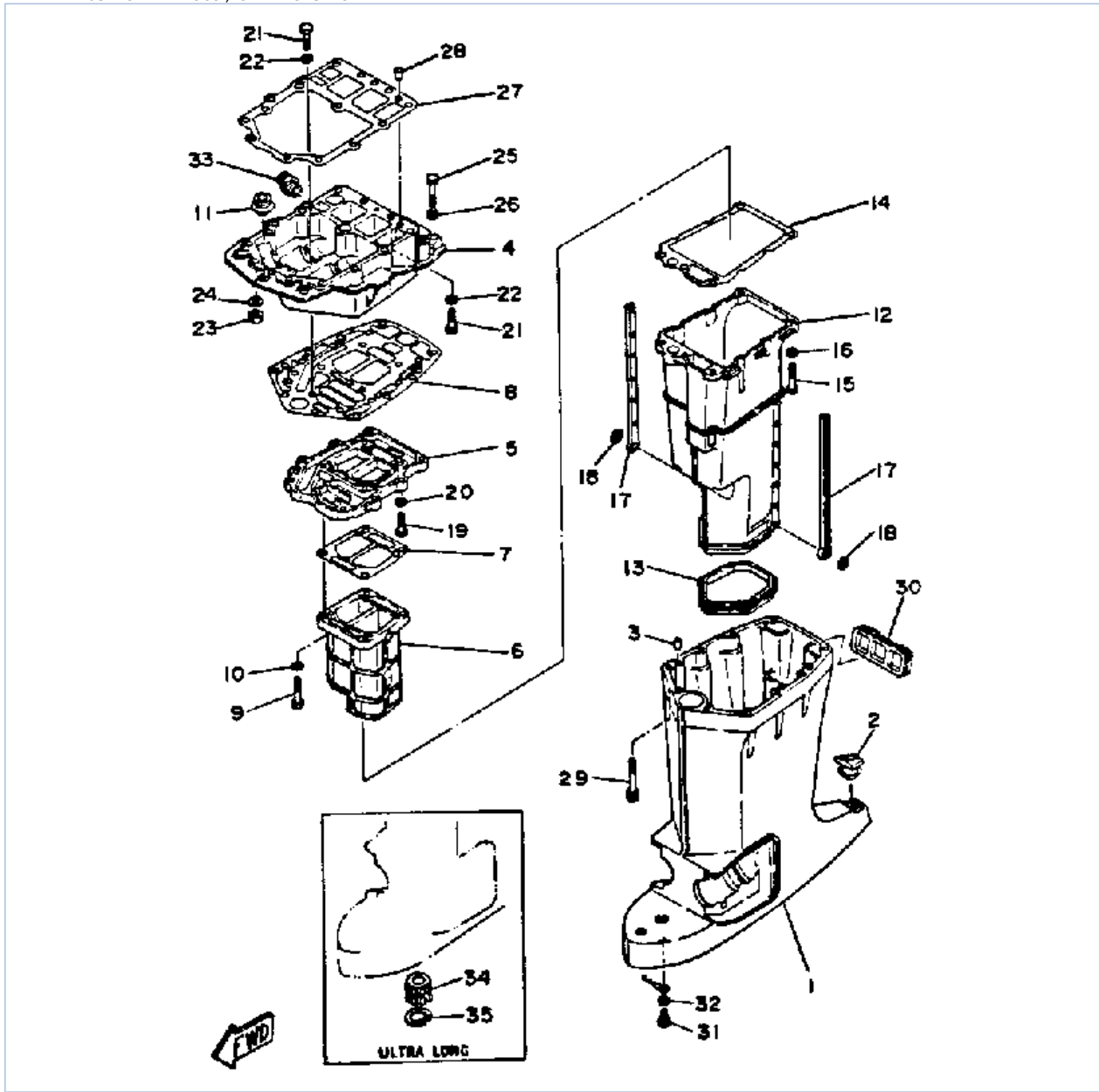
92990-06600-00



OEM: This part number is among the Top 100 Most Popular Marine Maintenance Parts as of August 2013.

©2013 Yamaha Motor Corporation, U.S.A. All rights reserved.

V6SPECIALXK 1985 / UPPER CASING



©2013 Yamaha Motor Corporation, U.S.A. All rights reserved.


Part List

V6SPECIALXK 1985 / UPPER CASING

| REF - NO | PART NUMBER | PART NAME | QUANTITY | REMARKS |
|----------|-----------------|--|----------|---------------------------|
| 1 | 6E5-45111-00-EK | CASING, UPPER | 1 | UR LONG |
| 1 | 6E5-45111-20-EK | CASING, UPPER | 1 | UR ULTRA LONG (NOT SHOWN) |
| 2 | 6E5-45155-00-00 | CAP | 1 | |
| 3 | 93608-12M05-00 | PIN, DOWEL | 2 | |
| 4 | 6G5-41137-00-94 | GUIDE, EXHAUST | 1 | |
| 5 | 6G5-41131-00-5B | MANIFOLD, EXHAUST 1 (6G5-41131-00-9M) | 1 | |
| 6 | 6G5-41132-00-5B | MANIFOLD, EXHAUST (6G5- 41132-00-9M) | 1 | |
| 7 | 6G5-41134-00-00 | GASKET, EXHAUST MANIFOLD | 1 | |
| 8 | 6G5-45114-00-00 | GASKET, UPPER CASING | 1 | |
| 9 | 97395-08045-00 | BOLT | 4 | |
| 10 | 92990-08600-00 | .WASHER, PLATE | 4 | |
| 11 | 6E5-42724-00-00 | GROMMET | 1 | |
| 12 | 6E5-14711-00-5B | MUFFLER 1 (6E5-14711-00- 9M) | 1 | |
| 13 | 6E5-45123-00-00 | .GASKET, MUFFLER | 1 | |
| 14 | 6E5-41135-00-00 | GASKET, EXHAUST MANIFOLD | 1 | |
| 15 | 97395-08045-00 | BOLT | 5 | |
| 16 | 92990-08600-00 | .WASHER, PLATE | 5 | |
| 17 | 6E5-14737-00-00 | DAMPER, MUFFLER | 2 | |
| 18 | 90183-05M02-00 | NUT, SPRING | 2 | |
| 19 | 97395-08030-00 | BOLT | 4 | |
| 20 | 92990-08600-00 | .WASHER, PLATE | 4 | |
| 21 | 97395-08030-00 | BOLT | 6 | |
| 22 | 92990-08100-00 | WASHER, SPRING | 6 | |
| 23 | 95380-08700-00 | NUT | 2 | |
| 24 | 92990-08100-00 | WASHER, SPRING | 2 | |
| 25 | 97395-08045-00 | BOLT | 2 | |
| 26 | 92990-08100-00 | WASHER, SPRING | 2 | |
| 27 | 6G5-45113-A0-00 | GASKET, UPPER CASING | 1 | |
| 28 | 93608-12M05-00 | PIN, DOWEL | 2 | |
| 29 | 90119-08M78-00 | BOLT, WITH WASHER | 6 | |
| 30 | 6E5-42769-00-00 | SEAL, RUBBER | 1 | |
| 31 | 97395-06010-00 | BOLT | 1 | |
| 32 | 92990-06600-00 | WASHER, PLATE | 1 | |
| 33 | 6G5-12581-00-00 | JOINT, HOSE 1 | 1 | |
| 34 | 6E5-45318-00-00 | BUSHING, DRIVE SHAFT | 1 | ULTRA LONG |
| 35 | 93420-36M01-00 | CIRCLIP | 1 | ULTRA LONG |

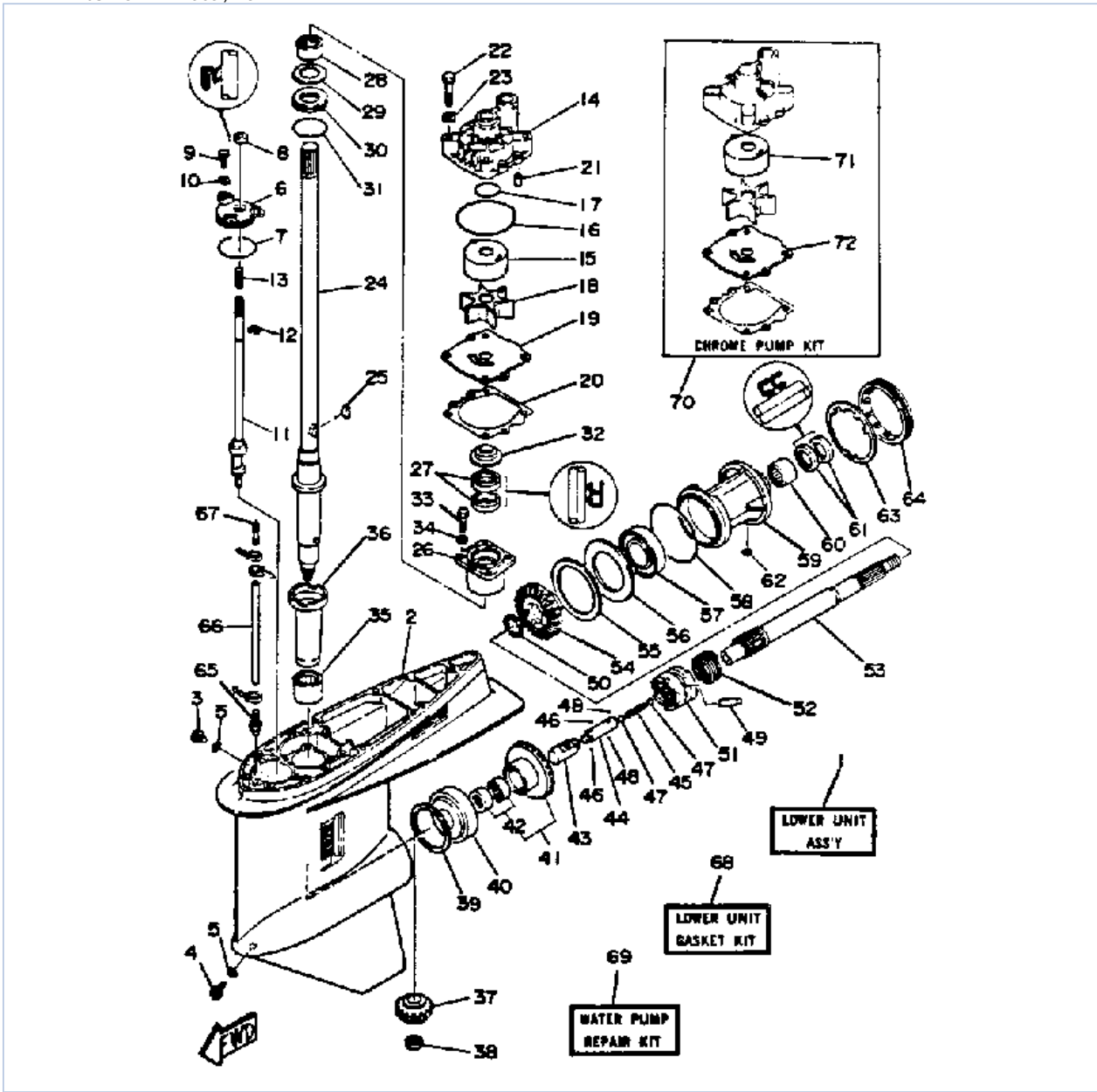
Part Notes

V6SPECIALXK 1985 / UPPER CASING

| PART NUMBER | NOTE TEXT |
|--|---|
| 92990-06600-00  | OEM: This part number is among the Top 100 Most Popular Marine Maintenance Parts as of August 2013. |

©2013 Yamaha Motor Corporation, U.S.A. All rights reserved.

V6SPECIALXK 1985 / LOWER DRIVE 1



©2013 Yamaha Motor Corporation, U.S.A. All rights reserved.

Part List







V6SPECIALXK 1985 / LOWER DRIVE 1

| REF - NO | PART NUMBER | PART NAME | QUANTITY | REMARKS |
|----------|-----------------|---|----------|---------------------------|
| 1 | 6G7-45300-10-KT | 6G7-LWR UNIT KIT (REF.#2~67) (6G7-45300-10-EK) | 1 | UR LONG |
| 1 | 6G7-45300-20-KT | 6G7-LWR.UNIT KIT (REF.#2~67) (6G7-45300-20-EK) | 1 | UR ULTRA LONG (NOT SHOWN) |
| 2 | 6G5-45301-00-EK | LOWER CASING | 1 | |
| 3 | 90340-08M04-00 | PLUG, STRAIGHT SCREW | 1 | |
| 4 | 688-45341-00-00 | PLUG, DRAIN | 1 | |
| 5 | 90430-08020-00 | .GASKET | 2 | |
| 6 | 6E5-45321-00-00 | PLATE | 1 | |
| 7 | 93210-58677-00 | O-RING | 1 | |
| 8 | 93106-09014-00 | .OIL SEAL | 1 | |
| 9 | 97395-06020-00 | BOLT, HEXAGON | 3 | |
| 10 | 90209-06M04-00 | WASHER | 3 | |
| 11 | 6G5-44150-01-00 | SHIFT CAM ASSY | 1 | |
| 12 | 99001-08600-00 | CIRCLIP | 1 | |
| 13 | 90501-11M10-00 | SPRING, COMPRESSION | 1 | |
| 14 | 6E5-44311-00-00 | HOUSING, WATER PUMP | 1 | |
| 15 | 6E5-44322-00-00 | INSERT, CARTRIDGE | 1 | |
| 16 | 93210-86M38-00 | .O-RING | 1 | |
| 17 | 93210-37M67-00 | O-RING | 1 | |
| 18 | 6E5-44352-00-00 | IMPELLER | 1 | |
| 19 | 6G5-44323-00-00 | .OUTER PLATE, CARTRIDGE | 1 | |
| 20 | 6E5-44315-00-00 | GASKET, WATER PUMP | 1 | |
| 21 | 93606-12019-00 | .PIN, DOWEL | 1 | |
| 22 | 97395-08045-00 | BOLT | 4 | |
| 23 | 90209-08M02-00 | WASHER | 4 | |
| 24 | 6G5-45501-01-00 | DRIVE SHAFT COMP. | 1 | UR LONG |
| 24 | 6G5-45501-21-00 | DRIVE SHAFT COMP. | 1 | UR ULTRA LONG (NOT SHOWN) |
| 25 | 90280-04M05-00 | .KEY, WOODRUFF | 1 | |
| 26 | 6E5-45331-00-94 | HOUSING, BEARING | 1 | |
| 27 | 93101-28M16-00 | .OIL SEAL | 2 | |
| 28 | 93317-330U2-00 | BEARING | 1 | |
| 29 | 6E5-45587-00-05 | SHIM 3 | 1 | UR |
| 29 | 6E5-45587-00-08 | SHIM 3 | 1 | UR |
| 29 | 6E5-45587-01-12 | SHIM (T:0.12MM) | 1 | UR |
| 29 | 6E5-45587-01-30 | SHIM (T:0.30MM) | 1 | UR |
| 29 | 6E5-45587-01-50 | SHIM (T:0.50MM) | 1 | UR |
| 30 | 93341-930U0-00 | BEARING, THRUST | 1 | |
| 31 | 93210-54534-00 | O-RING | 1 | |
| 32 | 6E5-45344-00-00 | COVER, OIL SEAL | 1 | |
| 33 | 97395-08025-00 | BOLT | 4 | |
| 34 | 92990-08600-00 | .WASHER, PLATE | 4 | |
| 35 | 93311-928U5-00 | BEARING | 1 | |
| 36 | 6E5-45536-00-00 | SLEEVE, DRIVE SHAFT | 1 | |
| 37 | 6G7-45551-00-00 | PINION | 1 | |
| 38 | 90170-16M01-00 | NUT | 1 | |
| 39 | 6G5-45567-00-05 | SHIM | 1 | UR |
| 39 | 6G5-45567-00-08 | SHIM | 1 | UR |
| 39 | 6G5-45567-01-12 | SHIM (T:0.12MM) | 1 | UR |
| 39 | 6G5-45567-01-30 | SHIM (T:0.30MM) | 1 | UR |
| 39 | 6G5-45567-01-50 | SHIM (T:0.50MM) | 1 | UR |
| 40 | 93332-000V3-00 | BEARING | 1 | |
| 41 | 6G7-45560-00-00 | GEAR 1 ASSEMBLY | 1 | |

| | | | | |
|----|-----------------|-------------------------|---|---------------------------|
| 42 | 93315-425V3-00 | .BEARING | 1 | |
| 43 | 6E5-45641-01-00 | SHIFTER | 1 | |
| 44 | 6E5-45634-01-00 | SLIDE, SHIFT | 1 | |
| 45 | 90501-16M37-00 | SPRING, COMPRESSION | 1 | |
| 46 | 93507-32031-00 | BALL 7-32 | 2 | |
| 47 | 93511-32027-00 | BALL | 2 | |
| 48 | 93503-16010-00 | BALL 3-16 | 2 | |
| 49 | 90250-08M07-00 | PIN, STRAIGHT | 1 | |
| 50 | 90201-30M92-00 | WASHER, PLATE | 1 | |
| 51 | 6G5-45631-00-00 | CLUTCH, DOG | 1 | |
| 52 | 6E5-45633-01-00 | RING, CROSS PIN | 1 | |
| 53 | 6E5-45611-01-00 | SHAFT, PROPELLER | 1 | |
| 54 | 6G7-45571-00-00 | GEAR 2 | 1 | |
| 55 | 6E5-45577-00-08 | SHIM | 1 | UR |
| 55 | 6L6-45577-00-12 | SHIM (T:0.12MM) | 1 | UR |
| 55 | 6L6-45577-00-30 | SHIM (T:0.30MM) | 1 | UR |
| 55 | 6L6-45577-00-50 | SHIM (T:0.50MM) | 1 | UR |
| 55 | 6G5-45577-01-05 | SHIM | 1 | UR |
| 56 | 6G5-45576-00-00 | WASHER, THRUST | 1 | |
| 57 | 93306-209U0-00 | BEARING | 1 | |
| 58 | 93210-97M55-00 | .O-RING | 1 | |
| 59 | 6G5-45332-00-94 | HOUSING, BEARING | 1 | |
| 60 | 93315-430U8-00 | BEARING | 1 | |
| 61 | 93101-30M17-00 | .OIL SEAL | 2 | |
| 62 | 90282-04010-00 | KEY, STRAIGHT | 1 | |
| 63 | 6G5-45383-01-00 | WASHER, CLAW | 1 | |
| 64 | 6G5-45384-00-00 | NUT | 1 | |
| 65 | 6E5-45378-00-00 | NIPPLE, HOSE | 1 | |
| 66 | 90445-07M31-00 | HOSE (L200) | 1 | UR LONG |
| 66 | 90445-07M38-00 | HOSE (L300) | 1 | UR ULTRA LONG (NOT SHOWN) |
| 67 | 6E5-83558-00-00 | END, NIPPLE | 1 | |
| 68 | 6G5-W0001-21-00 | LOWER UNIT GASKET KIT | 1 | SEE NOTE |
| 69 | 6G5-W0078-01-00 | WATER PUMP REPAIR KIT | 1 | SEE NOTECHROME PUMP KIT |
| 70 | 6G5-W0078-0A-00 | CHROME PUMP KIT | 1 | |
| 71 | 6E5-44322-41-00 | .INSERT, CARTRIDGE | 1 | |
| 72 | 6G5-44323-40-00 | .OUTER PLATE, CARTRIDGE | 1 | |

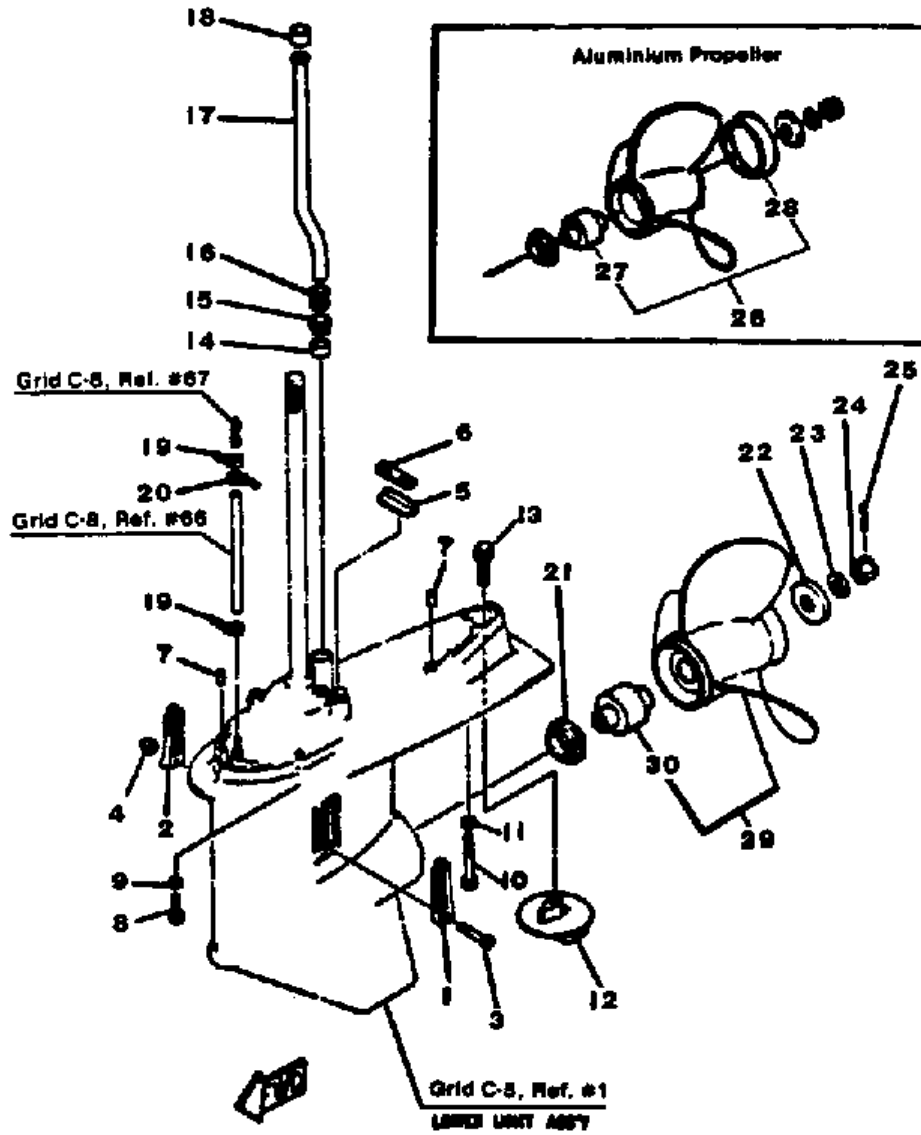
Part Notes

V6SPECIALXK 1985 / LOWER DRIVE 1

| PART NUMBER | | NOTE TEXT |
|----------------|---|---|
| 90430-08020-00 |  | OEM: This part number is among the Top 100 Most Popular Marine Maintenance Parts as of August 2013. |
| 93106-09014-00 |  | OEM: This part number is among the Top 100 Most Popular Marine Maintenance Parts as of August 2013. |
| 93210-86M38-00 |  | OEM: This part number is among the Top 100 Most Popular Marine Maintenance Parts as of August 2013. |
| 93101-28M16-00 |  | OEM: This part number is among the Top 100 Most Popular Marine Maintenance Parts as of August 2013. |
| 93210-54534-00 |  | OEM: This part number is among the Top 100 Most Popular Marine Maintenance Parts as of August 2013. |
| 93101-30M17-00 |  | OEM: This part number is among the Top 100 Most Popular Marine Maintenance Parts as of August 2013. |

©2013 Yamaha Motor Corporation, U.S.A. All rights reserved.

V6SPECIALXK 1985 / LOWER DRIVE 2



©2013 Yamaha Motor Corporation, U.S.A. All rights reserved.



Part List

V6SPECIALXK 1985 / LOWER DRIVE 2

| REF - NO | PART NUMBER | PART NAME | QUANTITY | REMARKS |
|----------|-------------------|--|----------|---------------------------|
| 1 | 6G5-45214-00-00 | COVER, WATER INLET | 1 | |
| 2 | 6G5-45215-00-00 | COVER, WATER INLET | 1 | |
| 3 | 90142-05M03-00 | SCREW, COUNTERSUNK | 1 | |
| 4 | 90185-05002-00 | NUT, NYLON | 1 | |
| 5 | 663-45376-00-94 | GUIDE, SEAL DAMPER | 1 | SEE NOTE |
| 6 | 688-45375-00-00 | DAMPER, SEAL | 1 | SEE NOTE |
| 7 | 93608-12M05-00 | PIN, DOWEL | 2 | |
| 8 | 97395-10045-00 | BOLT | 6 | |
| 9 | 92990-10100-00 | WASHER, SPRING | 6 | |
| 10 | 97395-10070-00 | BOLT | 1 | |
| 11 | 92990-10100-00 | WASHER, SPRING | 1 | |
| 12 | 6E5-45371-01-00 | TAB-TRIM | 1 | |
| 13 | 90105-10M00-00 | BOLT, FLANGE | 1 | |
| 14 | 6E5-44365-00-00 | DAMPER, WATER SEAL 1 | 1 | SEE NOTE |
| 15 | 6E5-44312-00-00 | COVER, WATER PUMP HOUSING | 1 | SEE NOTE |
| 16 | 6E5-44366-00-00 | DAMPER, WATER SEAL 2 | 1 | |
| 17 | 6E5-44361-00-00 | TUBE, WATER 1 | 1 | UR LONG |
| 17 | 6E5-44361-20-00 | TUBE, WATER 1 | 1 | UR ULTRA LONG (NOT SHOWN) |
| 18 | 6E5-44365-00-00 | DAMPER, WATER SEAL 1 | 1 | |
| 19 | 90465-11M10-00 | CLAMP | 2 | |
| 20 | 90465-11M10-00 | CLAMP | 1 | |
| 21 | 6E5-45987-00-00 | SPACER 1 | 1 | |
| 22 | 688-45997-01-00 | SPACER 2 | 1 | |
| 23 | 92990-18200-00 | WASHER | 1 | |
| 24 | 90171-18M04-00 | NUT, CASTLE | 1 | |
| 25 | 91490-40030-00 | PIN. COTTER | 1 | |
| 26 | 6G5-45941-00-98 | PROPELLER (3X15-1/4"X15"-M) | 1 | UR |
| 26 | 6G5-45945-01-98 | PROPELLER (3X14"X19"-M) | 1 | UR |
| 26 | 6G5-45949-00-98 | PROPELLER (3X13-1/2"X23"-M) | 1 | UR |
| 27 | 6G5-45981-00-00 | .DAMPER RUBBER, PROPELLER | 1 | |
| 28 | (6G5-45986-00-94) | REFLECTOR RING | 1 | |
| 29 | 6G5-45978-02-98 | PROPELLER ASSY (3 X 13-3/4" X 17"-M) | 1 | UR |
| 29 | 6G5-45976-01-98 | PROPELLER (3X13-3/8"X23"-M) | 1 | UR |
| 29 | 6G5-45974-02-98 | PROPELLER ASSY (6G5-45974-01-98) (3 X 13-3/4" X 19"-M) | 1 | UR |
| 29 | 6G5-45972-02-98 | PROPELLER (3X13-3/4"X21"-M) | 1 | UR |
| 29 | 6G5-45930-00-98 | PROPELLER (3X13-3/8"X25"-M) | 1 | UR |
| 30 | 6G5-45981-00-00 | .DAMPER RUBBER, PROPELLER | 1 | |

Part Notes

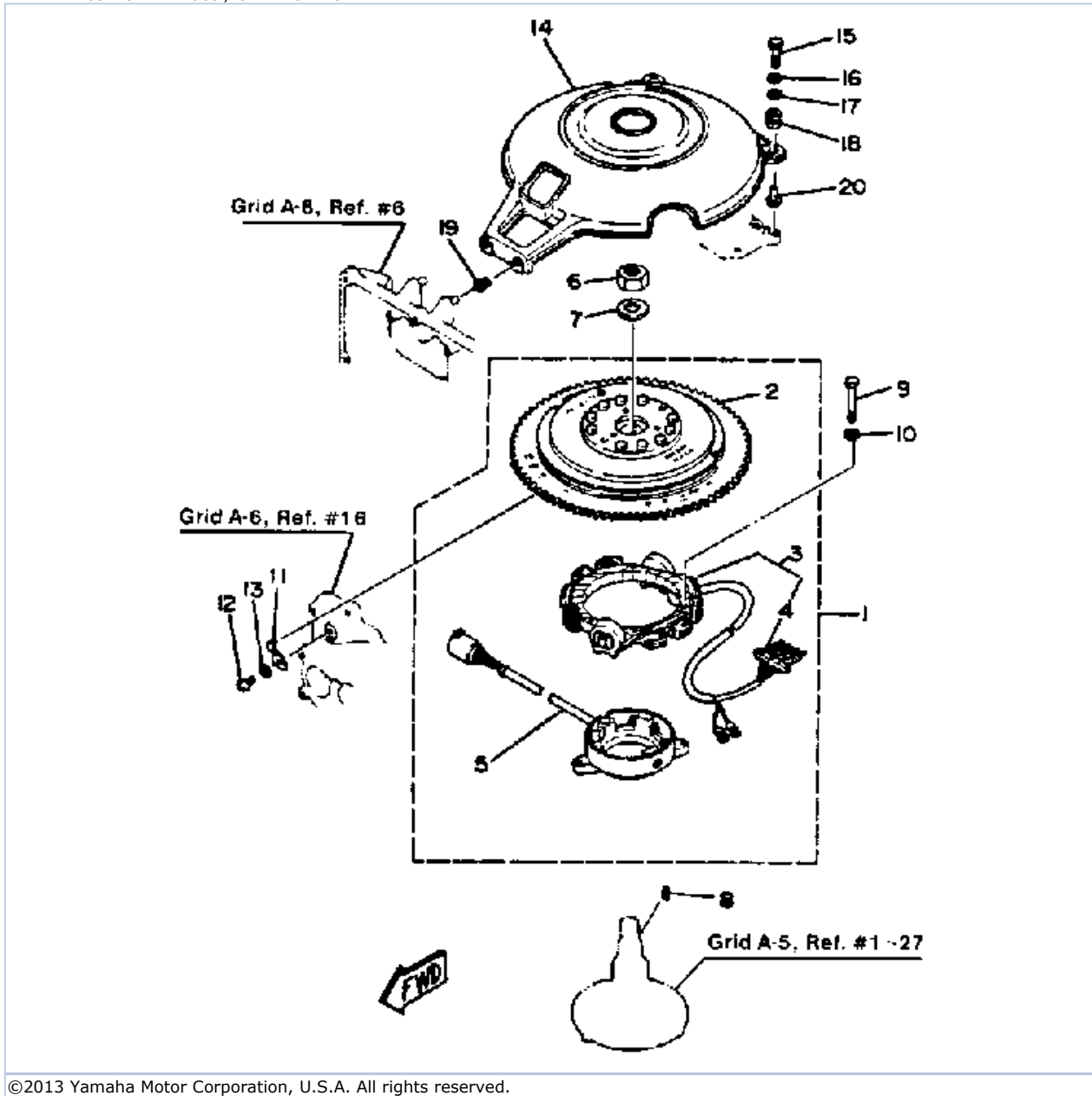
V6SPECIALXK 1985 / LOWER DRIVE 2

| PART NUMBER | NOTE TEXT |
|---|---|
| 6E5-45371-01-00  | OEM: This part number is among the Top 100 Most Popular Marine Maintenance Parts as of August 2013. |
| 90105-10M00-00  | OEM: This part number is among the Top 100 Most Popular Marine Maintenance Parts as of August 2013. |
| 91490-40030-00 | OEM: This part number is among the Top 100 Most Popular Marine Maintenance Parts as of August 2013. |



©2013 Yamaha Motor Corporation, U.S.A. All rights reserved.

V6SPECIALXK 1985 / CDI MAGNETO



©2013 Yamaha Motor Corporation, U.S.A. All rights reserved.




Part List

V6SPECIALXK 1985 / CDI MAGNETO

| REF - NO | PART NUMBER | PART NAME | QUANTITY | REMARKS |
|----------------|-----------------|-----------------------|----------|----------|
| 1 | UNA-VAILA-BL-EI | CARBURETOR ASSEMBLY | 1 | |
| 2 | 6G5-85550-12-00 | .ROTOR ASSY | 1 | SEE NOTE |
| 2 | 6G5-85550-12-00 | .ROTOR ASSY | 1 | |
| 3 | 6G5-85510-10-00 | .STATOR ASSEMBLY | 1 | |
| 4 | 90480-06M16-00 | ..GROMMET | 1 | |
| 5 | 6K7-85580-10-00 | .COIL, PULSER | 1 | SEE NOTE |
| 5 | 6G7-85580-11-00 | .COIL, PULSER | 1 | |
| 6 | 90170-20137-00 | NUT | 1 | |
| 7 | 90201-21M18-00 | WASHER, PLATE | 1 | |
| 8 | 90280-05049-00 | KEY, WOODRUFF | 1 | |
| 9 | 97313-06055-00 | BOLT, HEXAGON | 3 | |
| 10 | 92990-06600-00 | WASHER, PLATE | 3 | |
| 11 | 6E5-81332-00-00 | PLATE, TIMING | 1 | |
| 12 | 98580-06010-00 | SCREW, PAN HEAD | 1 | |
| 13 | 92990-06600-00 | WASHER, PLATE | 1 | |
| 14 | 6G7-81337-00-00 | COVER, FLYWHEEL | 1 | |
| 15 | 97313-06030-00 | BOLT | 2 | |
| 16 | 92995-06100-00 | WASHER, SPRING | 2 | |
| 17 | 90201-06M62-00 | WASHER, PLATE | 2 | |
| 18 | 663-82317-00-00 | DAMPER, IGNITION COIL | 2 | |
| 19 | 6G5-82317-00-00 | DAMPER, IGNITION COIL | 2 | |
| 20 | 624-42542-00-00 | PIPE | 2 | |

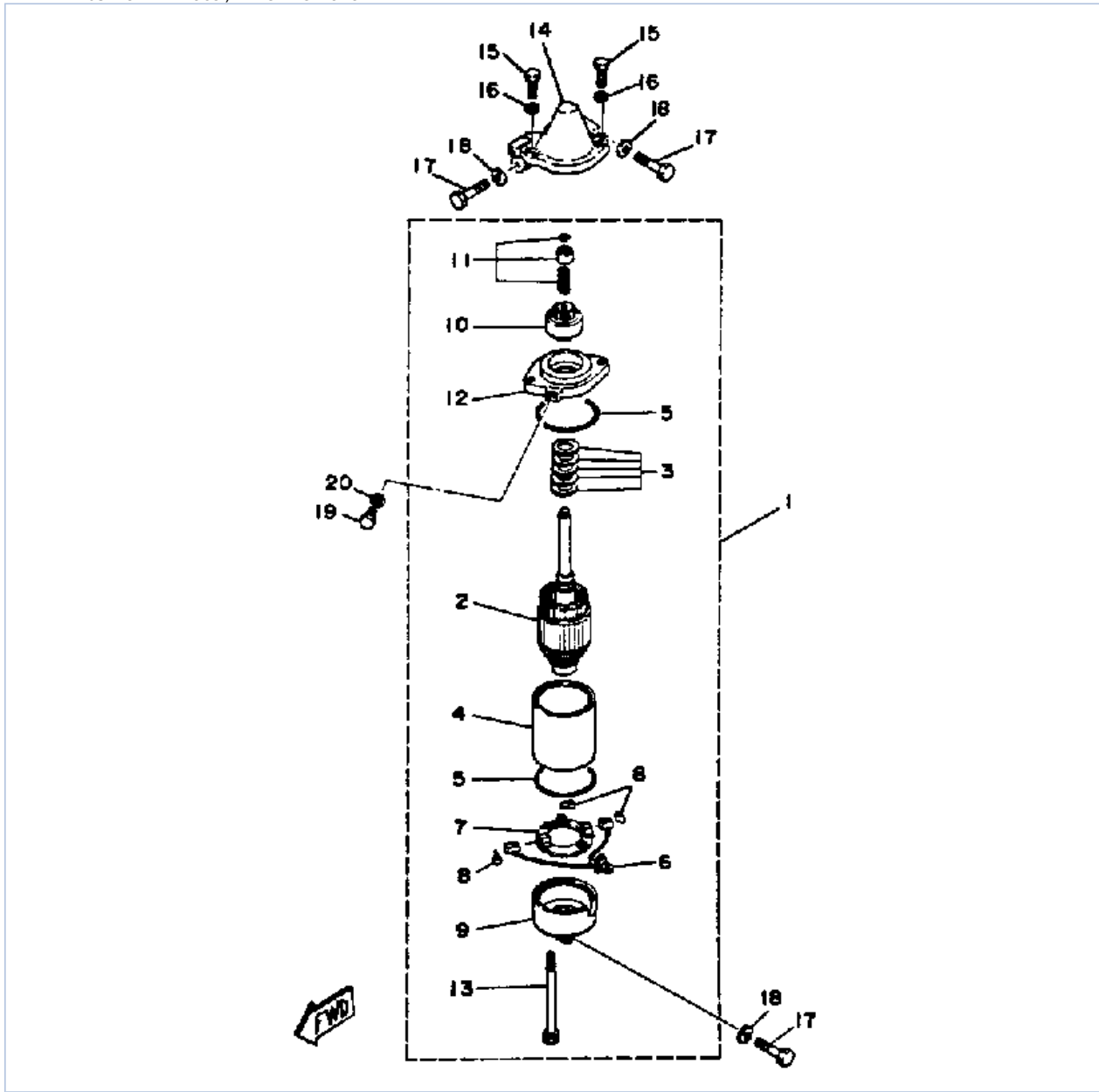
Part Notes

V6SPECIALXK 1985 / CDI MAGNETO

| PART NUMBER | | NOTE TEXT |
|----------------|---|---|
| 92990-06600-00 |  | OEM: This part number is among the Top 100 Most Popular Marine Maintenance Parts as of August 2013. |
| 92990-06600-00 |  | OEM: This part number is among the Top 100 Most Popular Marine Maintenance Parts as of August 2013. |
| 92995-06100-00 |  | OEM: This part number is among the Top 100 Most Popular Marine Maintenance Parts as of August 2013. |

©2013 Yamaha Motor Corporation, U.S.A. All rights reserved.

V6SPECIALXK 1985 / ELECTRIC MOTOR



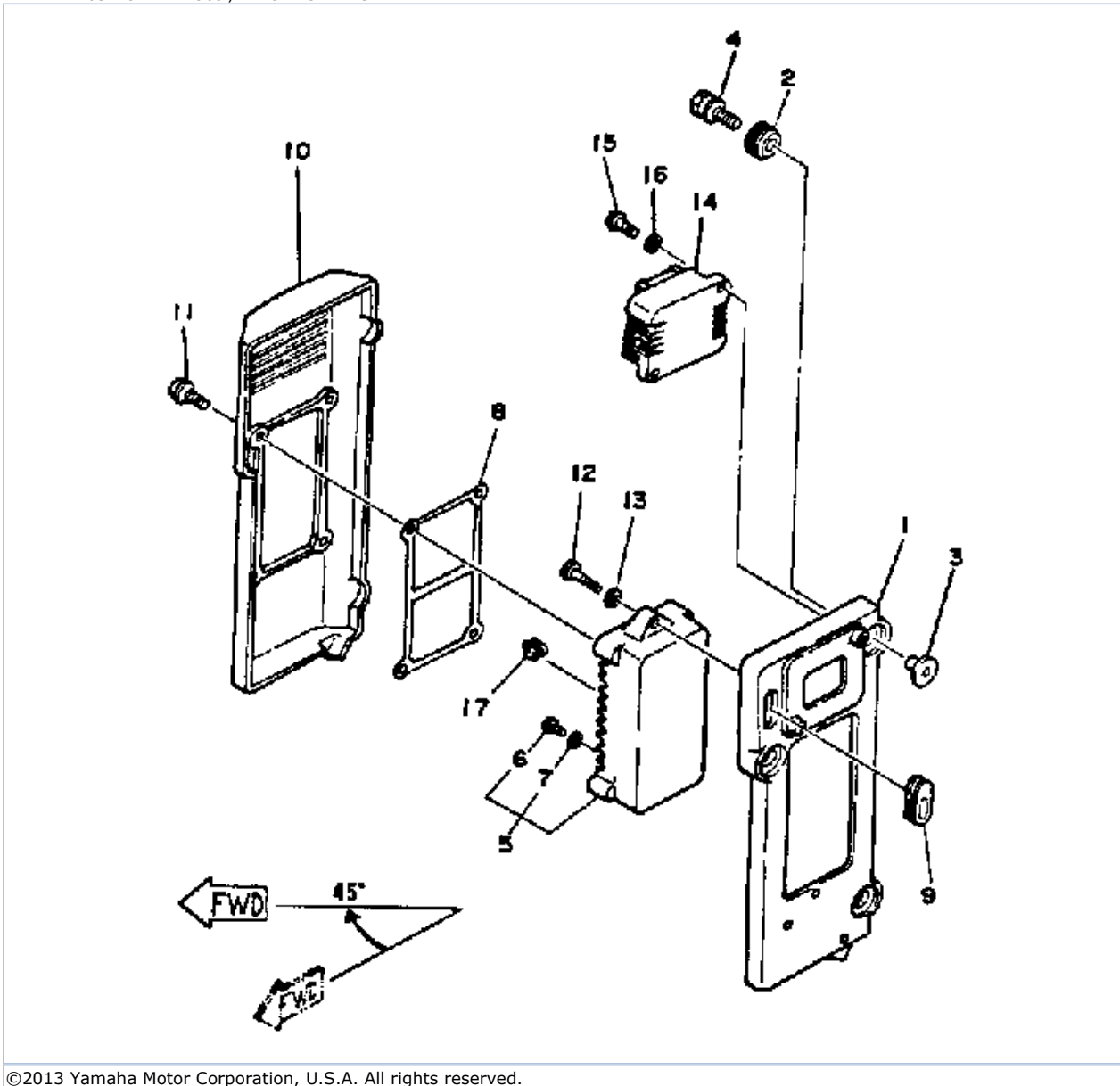
©2013 Yamaha Motor Corporation, U.S.A. All rights reserved.

Part List

V6SPECIALXK 1985 / ELECTRIC MOTOR

| REF - NO | PART NUMBER | PART NAME | QUANTITY | REMARKS |
|----------------|-----------------|----------------------------------|----------|---------|
| 1 | 6E5-81800-12-00 | STARTER MOTOR ASSY | 1 | |
| 2 | 6E5-81850-A9-00 | .ARMATURE ASSY (6E5-81850-10-00) | 1 | |
| 3 | 6E5-81809-10-00 | .WASHER KIT | 1 | |
| 4 | 6E5-81810-10-00 | .STATOR ASSY | 1 | |
| 5 | 6E5-81847-10-00 | .O-RING | 2 | |
| 6 | 6E5-81801-10-00 | .BRUSH SET | 1 | |
| 7 | 6E5-81840-10-00 | .BRUSH HOLDER ASSY | 1 | |
| 8 | 6E5-81813-10-00 | .SPRING, BRUSH | 3 | |
| 9 | 6E5-81820-11-00 | .REAR BRACKET ASSY | 1 | |
| 10 | 6E5-81807-11-00 | .GEAR ASSY, STARTING MOTOR | 1 | |
| 11 | 6E5-81857-10-00 | .RETAINER | 1 | |
| 12 | 6E5-81830-10-00 | .FRONT BRACKET ASSY | 1 | |
| 13 | 6E5-81826-10-00 | .BOLT | 2 | |
| 14 | 6E5-81822-02-98 | BRACKET, STARTING MOTOR | 1 | |
| 15 | 97013-08025-00 | BOLT | 2 | |
| 16 | 92990-08600-00 | .WASHER, PLATE | 2 | |
| 17 | 97313-08045-00 | BOLT, HEXAGON | 3 | |
| 18 | 92990-08600-00 | .WASHER, PLATE | 3 | |
| 19 | 97395-08016-00 | BOLT | 1 | |
| 20 | 92990-08600-00 | .WASHER, PLATE | 1 | |

V6SPECIALXK 1985 / ELECTRIC PARTS 1



©2013 Yamaha Motor Corporation, U.S.A. All rights reserved.



Part List

V6SPECIALXK 1985 / ELECTRIC PARTS 1

| REF - NO | PART NUMBER | PART NAME | QUANTITY | REMARKS |
|----------------|-----------------|--|----------|---------|
| 1 | 6G5-85542-00-94 | BRACKET | 1 | |
| 2 | 90480-09M12-00 | GROMMET | 3 | |
| 3 | 90387-06M03-00 | COLLAR | 3 | |
| 4 | 90119-06M28-00 | BOLT, WITH WASHER | 3 | |
| 5 | 6G5-85540-12-00 | CDI UNIT ASSY | 1 | |
| 6 | 98580-04008-00 | .SCREW, PAN HEAD | 20 | |
| 7 | 92990-04200-00 | .WASHER | 20 | |
| 8 | 6G5-85547-00-00 | DAMPER | 1 | |
| 9 | 90480-12M32-00 | GROMMET | 1 | |
| 10 | 6G5-85537-00-00 | COVER | 1 | |
| 11 | 90159-06M03-00 | SCREW, WITH WASHER | 4 | |
| 12 | 98580-06030-00 | .SCREW, PAN HEAD | 2 | |
| 13 | 92990-06600-00 | WASHER, PLATE | 2 | |
| 14 | 688-81960-61-00 | RECTIFIER/REG ASSEMBLY (688-81960-60) | 1 | |
| 15 | 97803-06020-00 | SCREW, PAN HEAD (92580- 06030-00) | 2 | |
| 16 | 92990-06600-00 | WASHER, PLATE | 2 | |
| 17 | 90480-06157-00 | GROMMET | 2 | |

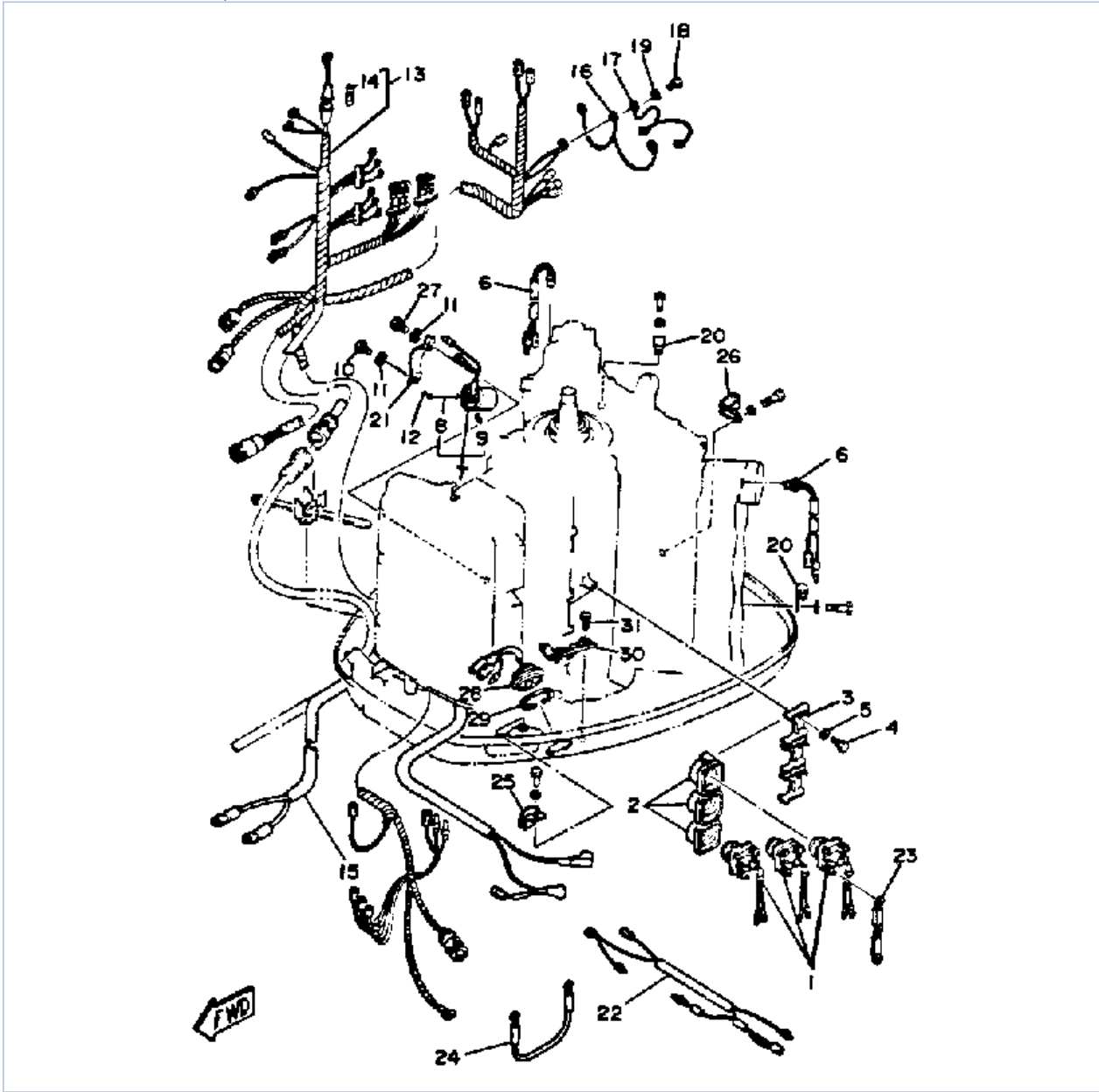
Part Notes

V6SPECIALXK 1985 / ELECTRIC PARTS 1

| PART NUMBER | | NOTE TEXT |
|----------------|---|---|
| 92990-06600-00 |  | OEM: This part number is among the Top 100 Most Popular Marine Maintenance Parts as of August 2013. |
| 92990-06600-00 |  | OEM: This part number is among the Top 100 Most Popular Marine Maintenance Parts as of August 2013. |

©2013 Yamaha Motor Corporation, U.S.A. All rights reserved.

V6SPECIALXK 1985 / ELECTRIC PARTS 2






Part List

V6SPECIALXK 1985 / ELECTRIC PARTS 2

| REF - NO | PART NUMBER | PART NAME | QUANTITY | REMARKS |
|----------|-----------------|-------------------------|----------|---------|
| 1 | 6E5-81941-11-00 | STARTER RELAY ASSY | 3 | |
| 2 | 689-81952-10-00 | HOLDER, RELAY | 3 | |
| 3 | 6G5-81948-00-00 | BRACKET | 1 | |
| 4 | 97313-06016-00 | BOLT, HEXAGON | 3 | |
| 5 | 92990-06600-00 | WASHER, PLATE | 3 | |
| 6 | 688-82560-10-00 | THERMO SWITCH ASSY | 2 | |
| 7 | 6G5-86110-01-00 | SOLENOID | 1 | |
| 8 | 6G5-86119-00-00 | .WIRE, PULL | 1 | |
| 9 | 91690-30010-00 | .PIN, SPRING | 1 | |
| 10 | 97313-06016-00 | BOLT, HEXAGON | 1 | |
| 11 | 92990-06600-00 | WASHER, PLATE | 2 | |
| 12 | 93210-03261-00 | O-RING | 1 | |
| 13 | 6G7-82590-01-00 | WIRE HARNESS ASSEMBLY | 1 | |
| 14 | 682-82151-00-00 | .FUSE (12V-20A) | 1 | |
| 15 | 6G5-82105-01-00 | BATTERY CABLE | 1 | |
| 16 | 6G0-82519-00-00 | WIRE, EARTH LEAD | 1 | |
| 17 | 6E5-82531-00-00 | WIRE, LEAD | 1 | |
| 18 | 97395-06012-00 | BOLT | 3 | |
| 19 | 92990-06600-00 | WASHER, PLATE | 3 | |
| 20 | 90465-08028-00 | CLAMP | 6 | |
| 21 | 6G5-86115-00-00 | HOLDER, SOLENOID | 1 | |
| 22 | 6G5-82553-00-00 | EXTENSION, WIRE LEAD | 1 | |
| 23 | 6G5-87149-01-00 | CONNECTOR | 1 | |
| 24 | 6E5-82117-00-00 | WIRE, LEAD | 1 | |
| 25 | 90465-12M25-00 | CLAMP | 1 | |
| 26 | 90465-08M08-00 | CLAMP | 1 | |
| 27 | 97313-06020-00 | BOLT, HEXAGON | 1 | |
| 28 | 6E5-82563-00-00 | TRIM & TILT SWITCH ASSY | 1 | |
| 29 | 6E5-82587-00-00 | GASKET | 1 | |
| 30 | 6E5-83614-00-00 | BRACKET | 1 | |
| 31 | 97313-06016-00 | BOLT, HEXAGON | 2 | |

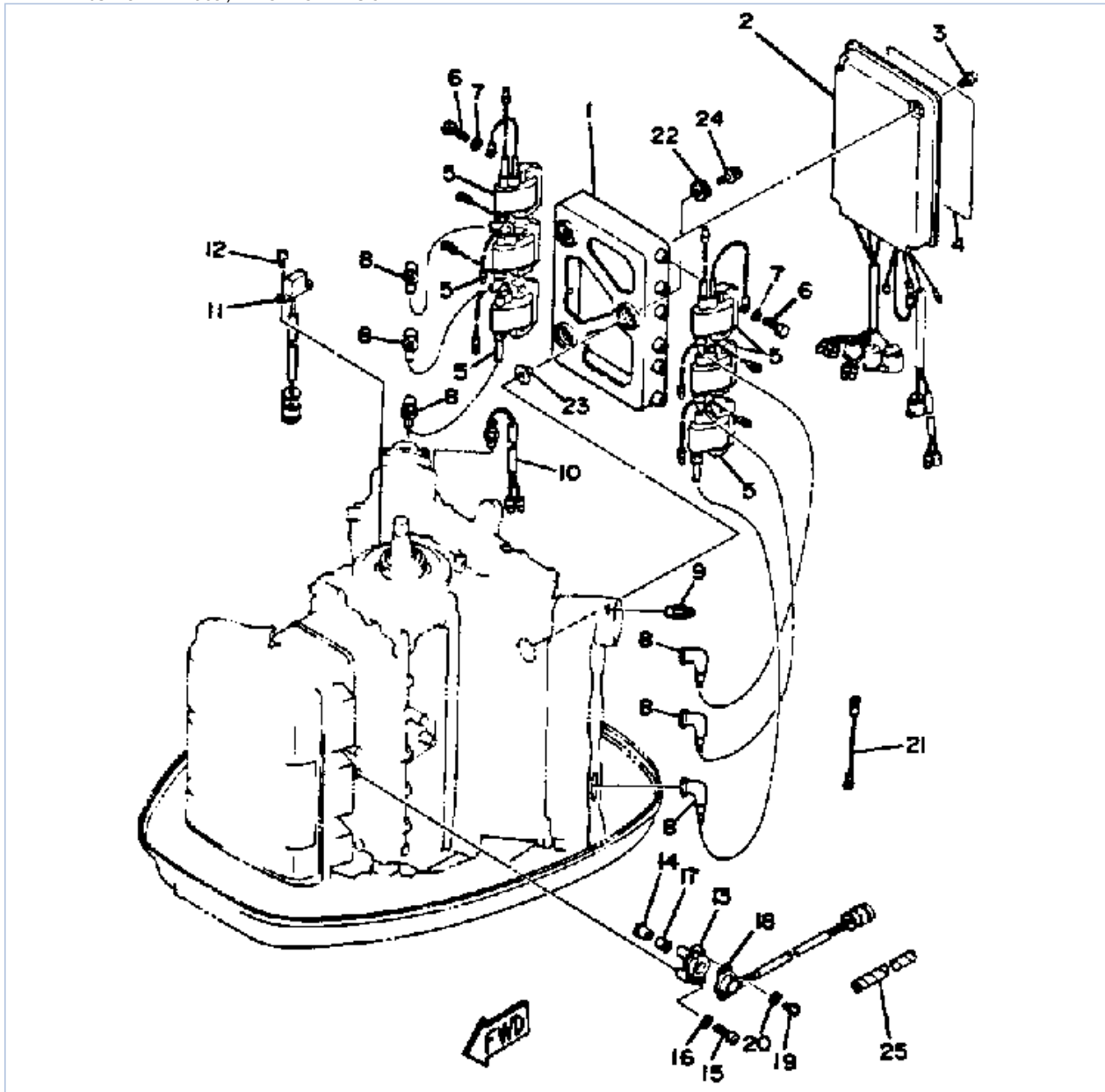
Part Notes

V6SPECIALXK 1985 / ELECTRIC PARTS 2

| PART NUMBER | NOTE TEXT |
|--|---|
| 92990-06600-00  | OEM: This part number is among the Top 100 Most Popular Marine Maintenance Parts as of August 2013. |
| 92990-06600-00  | OEM: This part number is among the Top 100 Most Popular Marine Maintenance Parts as of August 2013. |
| 92990-06600-00  | OEM: This part number is among the Top 100 Most Popular Marine Maintenance Parts as of August 2013. |

©2013 Yamaha Motor Corporation, U.S.A. All rights reserved.

V6SPECIALXK 1985 / ELECTRIC PARTS 3



©2013 Yamaha Motor Corporation, U.S.A. All rights reserved.


Part List

V6SPECIALXK 1985 / ELECTRIC PARTS 3

| REF - NO | PART NUMBER | PART NAME | QUANTITY | REMARKS |
|----------|-----------------|---|----------|---------|
| 1 | 6G7-85542-01-EK | BRACKET | 1 | |
| 2 | 6G7-85830-13-00 | CONTROL UNIT ASSEMBLY (6G7-85830-12) | 1 | |
| 3 | 90159-06M04-00 | SCREW, WITH WASHER | 4 | |
| 4 | 6G7-84341-01-00 | EMBLEM | 1 | |
| 5 | 6E5-85570-11-00 | IGNITION COIL ASSEMBLY | 6 | |
| 6 | 97313-06030-00 | BOLT | 12 | |
| 7 | 92990-06600-00 | WASHER, PLATE | 12 | |
| 8 | 6E3-82370-20-00 | PLUG CAP ASSY | 6 | |
| 9 | 6G7-85780-00-00 | SENSOR, KNOCK | 1 | |
| 10 | 6G7-85790-01-00 | THERMOSENSOR ASSEMBLY | 1 | |
| 11 | 6G7-85895-00-00 | CRANK POSITION SEN | 1 | |
| 12 | 98580-05012-00 | SCREW, PAN HEAD | 2 | |
| 13 | 6G7-85886-00-94 | BRACKET | 1 | |
| 14 | 90386-10009-00 | .BUSH | 1 | |
| 15 | 98580-05030-00 | .SCREW, PAN HEAD | 2 | |
| 16 | 92990-05600-00 | WASHER, PLATE | 2 | |
| 17 | 90387-08M59-00 | COLLAR | 1 | |
| 18 | 6G7-85885-00-00 | THROTTLE SENSR ASSEMBLY | 1 | |
| 19 | 98580-05016-00 | SCREW, PAN HEAD | 2 | |
| 20 | 92990-05600-00 | WASHER, PLATE | 2 | |
| 21 | 662-82519-00-00 | WIRE, EARTH LEAD | 1 | |
| 22 | 90480-09M12-00 | GROMMET | 3 | |
| 23 | 90387-06M03-00 | COLLAR | 3 | |
| 24 | 90119-06M28-00 | BOLT, WITH WASHER | 3 | |
| 25 | 90446-10M01-00 | HOSE (L60) | 1 | |

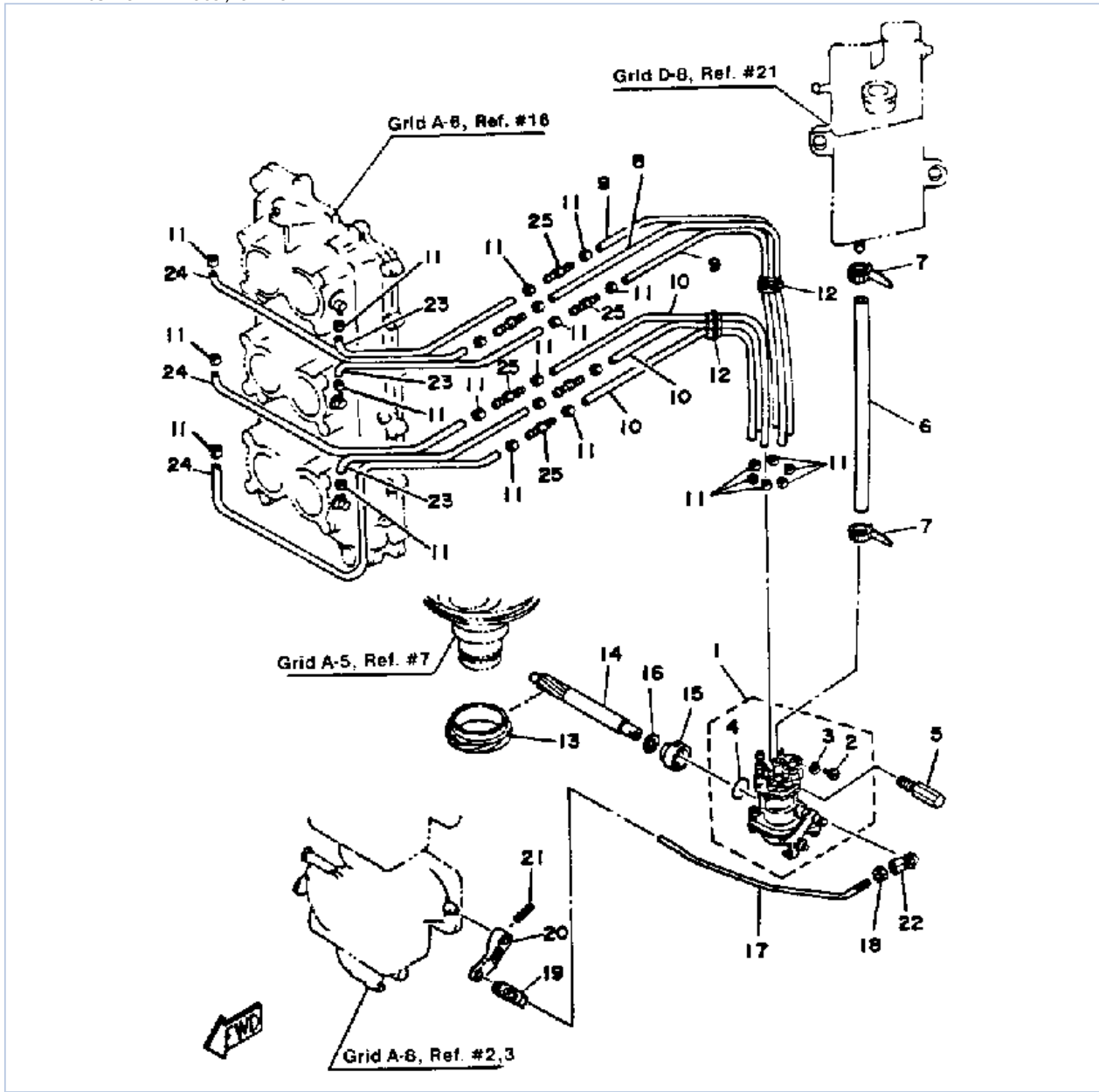
Part Notes

V6SPECIALXK 1985 / ELECTRIC PARTS 3

| PART NUMBER | NOTE TEXT |
|--|---|
| 92990-06600-00  | OEM: This part number is among the Top 100 Most Popular Marine Maintenance Parts as of August 2013. |

©2013 Yamaha Motor Corporation, U.S.A. All rights reserved.

V6SPECIALXK 1985 / OIL PUMP



©2013 Yamaha Motor Corporation, U.S.A. All rights reserved.


Part List

V6SPECIALXK 1985 / OIL PUMP

| REF - NO | PART NUMBER | PART NAME | QUANTITY | REMARKS |
|----------------|------------------|--|----------|---------|
| 1 | 6G6-W1320-00-00 | OIL INJECTION PUMP ASSY (6G6-13200-01-00) | 1 | |
| 2 | 6E5-13471-01-00 | .PLUG, DRAIN | 1 | |
| 3 | 6E5-13475-00-00 | .GASKET | 1 | |
| 4 | 6E5-14562-00-00 | .O-RING | 1 | |
| 5 | 90109-06M23-00 | BOLT | 2 | |
| 6 | (90445-12M65-00) | HOSE | 1 | |
| 7 | 90465-11M10-00 | CLAMP | 2 | |
| 8 | 90445-07M73-00 | HOSE | 1 | |
| 9 | 90445-07M85-00 | HOSE (L330) | 2 | |
| 10 | [90-44507-M8-30 | UNAVAILABLE IN PRICE BOOK | 3 | |
| 11 | 90468-07M02-00 | CLIP | 24 | |
| 12 | 90464-07M05-00 | CLAMP | 2 | |
| 13 | 6E5-11536-00-00 | GEAR, DRIVEN | 1 | |
| 14 | 6E5-11537-02-00 | GEAR, DRIVEN | 1 | |
| 15 | 6E5-13117-01-00 | COLLAR, DISTANCE | 1 | |
| 16 | 90201-08M93-00 | WASHER, PLATE | 1 | |
| 17 | 6E5-41241-00-00 | ROD, LINK | 1 | |
| 18 | 95380-05600-00 | NUT | 1 | |
| 19 | 6R5-41237-00-00 | JOINT, LINK | 1 | |
| 20 | 6E5-14276-01-00 | LEVER | 1 | |
| 21 | 91690-30016-00 | PIN, SPRING | 1 | |
| 22 | 6H1-41237-00-00 | JOINT, LINK | 1 | |
| 23 | 90445-07M87-00 | HOSE (L110) | 3 | |
| 24 | 90445-07M96-00 | HOSE (L310) | 3 | |
| 25 | 6E5-13132-00-00 | JOINT | 6 | |

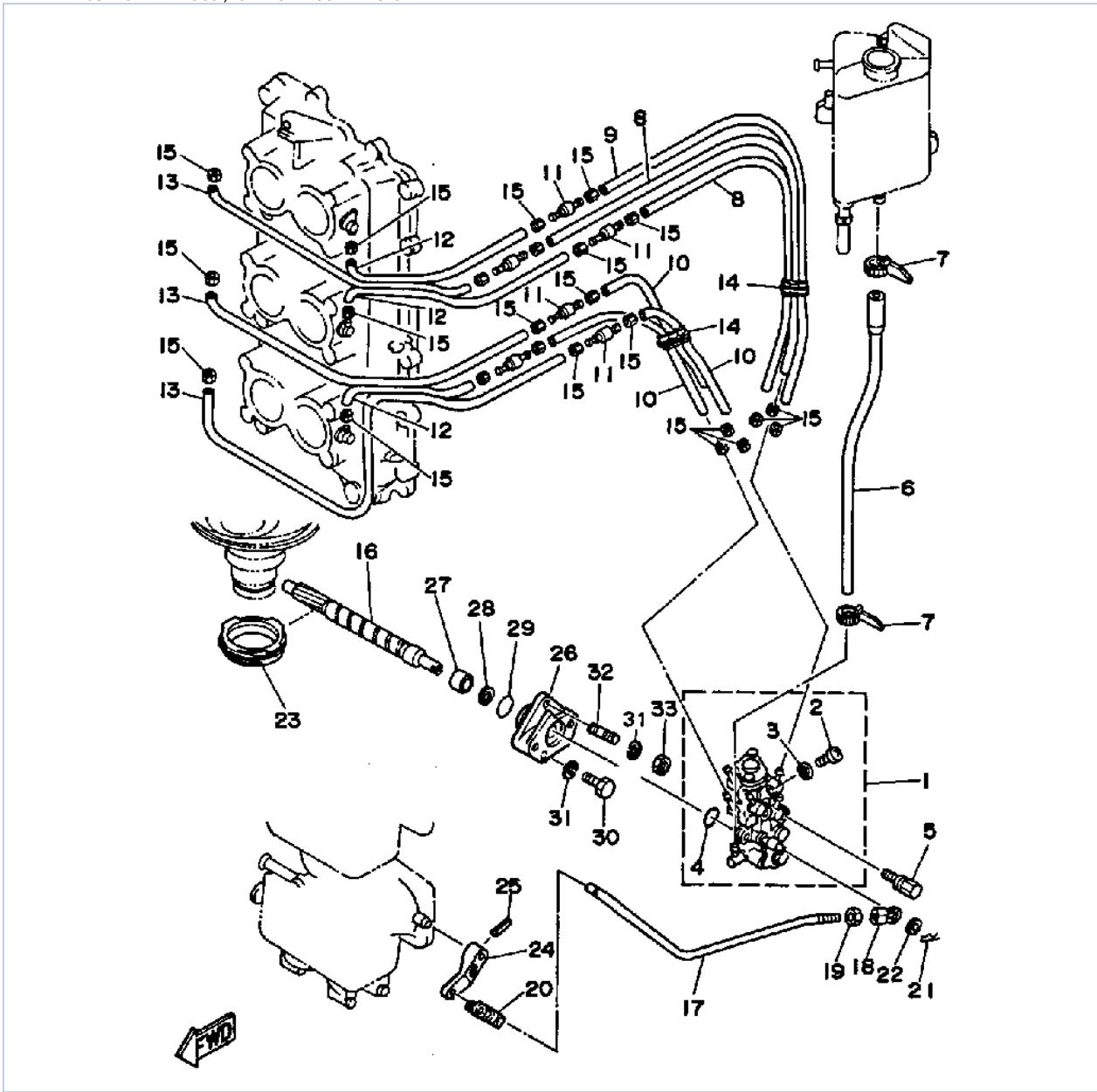
Part Notes

V6SPECIALXK 1985 / OIL PUMP

| PART NUMBER | NOTE TEXT |
|---|---|
| 6H1-41237-00-00  | OEM: This part number is among the Top 100 Most Popular Marine Maintenance Parts as of August 2013. |

©2013 Yamaha Motor Corporation, U.S.A. All rights reserved.

V6SPECIALXK 1985 / OIL PUMP CONVERSION KIT



©2013 Yamaha Motor Corporation, U.S.A. All rights reserved.



Part List

V6SPECIALXK 1985 / OIL PUMP CONVERSION KIT

| REF - NO | PART NUMBER | PART NAME | QUANTITY | REMARKS |
|----------------|-----------------|-------------------------|----------|------------------|
| 1 | 6R3-13200-09-00 | OIL INJECTION PUMP ASSY | 1 | UR 150/175 MODEL |
| 1 | 6R4-13200-09-00 | OIL INJECTION PUMP ASSY | 1 | UR 200 MODEL |
| 2 | 716-24444-00-00 | .PLUG, DRAIN | 1 | |
| 3 | 1YU-13187-00-00 | .GASKET, BREATHER BOLT | 1 | |
| 4 | 93210-19MA7-00 | .O-RING | 1 | |
| 5 | 90109-06M40-00 | BOLT | 2 | |
| 6 | 6R3-13416-00-00 | PIPE, OIL 1 | 1 | |
| 7 | 90465-11M10-00 | CLAMP | 2 | |
| 8 | 90445-07M73-00 | HOSE | 2 | |
| 9 | 90445-07M85-00 | HOSE (L330) | 1 | |
| 10 | 90445-07M83-00 | HOSE (L150) | 3 | |
| 11 | 6R3-13183-00-00 | VALVE, CHECK | 6 | |
| 12 | 90445-07M87-00 | HOSE (L110) | 3 | |
| 13 | 90445-07M96-00 | HOSE (L310) | 3 | |
| 14 | 90464-07M05-00 | CLAMP | 2 | |
| 15 | 90468-07M02-00 | CLIP | 24 | |
| 16 | 6R3-11537-09-00 | GEAR, DRIVEN | 1 | |
| 17 | 6R3-41241-00-00 | ROD, LINK | 1 | |
| 18 | 6H1-41237-00-00 | JOINT, LINK | 1 | |
| 19 | 95380-05600-00 | NUT | 1 | |
| 20 | 6R5-41237-00-00 | JOINT, LINK | 1 | |
| 21 | 90468-05M03-00 | CLIP | 1 | |
| 22 | 90202-05088-00 | WASHER, PLATE | 1 | |
| 23 | 6E5-11536-00-00 | GEAR, DRIVEN | 1 | |
| 24 | 6E5-14276-01-00 | LEVER | 1 | |
| 25 | 91690-30016-00 | PIN, SPRING | 1 | |
| 26 | 6R3-13117-09-00 | COLLAR, DISTANCE | 1 | |
| 27 | 90384-14M09-00 | .BUSH, BIMETAL FORMED | 1 | |
| 28 | 90202-08M44-00 | WASHER, PLATE | 1 | |
| 29 | 93210-18322-00 | O-RING | 1 | |
| 30 | 97313-06018-00 | BOLT | 1 | |
| 31 | 92995-06100-00 | WASHER, SPRING | 2 | |
| 32 | 90116-06M22-00 | BOLT, STUD | 1 | |
| 33 | 95380-06600-00 | NUT, HEXAGON | 1 | |

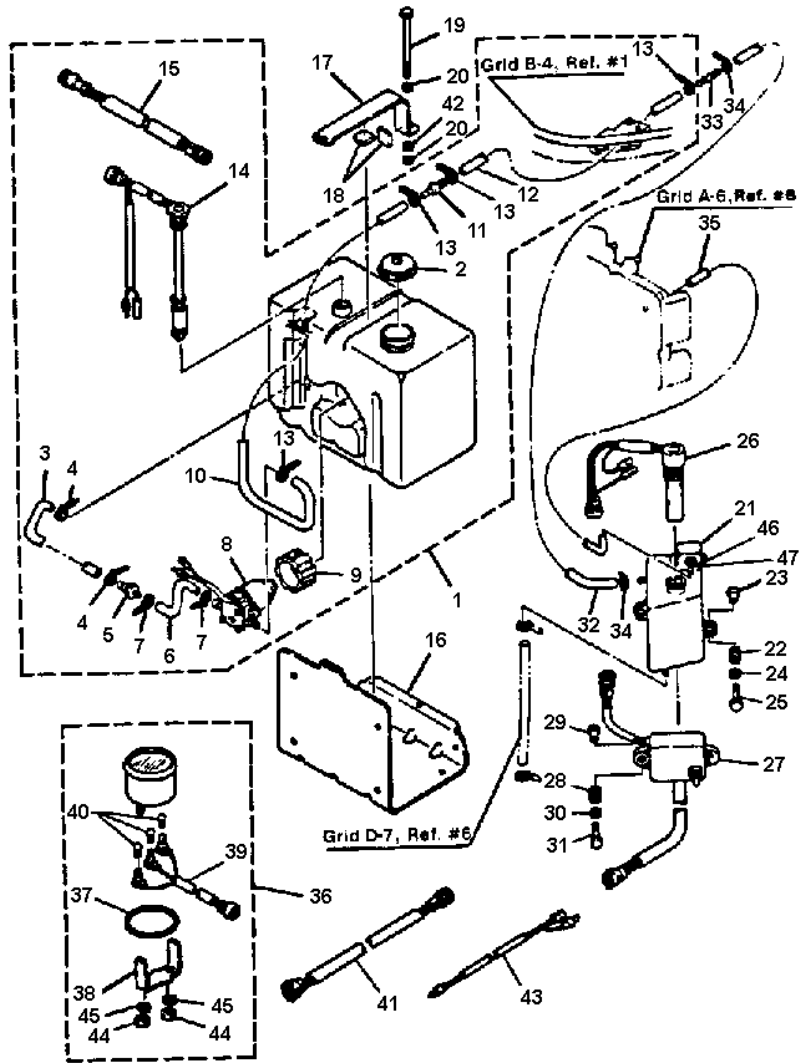
Part Notes

V6SPECIALXK 1985 / OIL PUMP CONVERSION KIT

| PART NUMBER | NOTE TEXT |
|---|---|
| 6H1-41237-00-00  | OEM: This part number is among the Top 100 Most Popular Marine Maintenance Parts as of August 2013. |
| 92995-06100-00  | OEM: This part number is among the Top 100 Most Popular Marine Maintenance Parts as of August 2013. |

©2013 Yamaha Motor Corporation, U.S.A. All rights reserved.

V6SPECIALXK 1985 / OIL TANK



©2013 Yamaha Motor Corporation, U.S.A. All rights reserved.



Part List

V6SPECIALXK 1985 / OIL TANK

| REF - NO | PART NUMBER | PART NAME | QUANTITY | REMARKS |
|----------------|-------------------|------------------------------|----------|----------------------------|
| 1 | 6E5-21708-05-00 | OIL TANK SUB-ASSY | 1 | |
| 1 | 6E5-21708-05-00 | OIL TANK SUB-ASSY | 1 | V6-LK-30125~ V6-XK-700964~ |
| 2 | 6E5-21770-03-00 | .OIL TANK CAP ASSY | 1 | |
| 3 | 6E5-24322-00-00 | .PIPE 11 | 1 | |
| 4 | 90465-11M10-00 | .CLAMP | 2 | |
| 5 | 646-24251-02-00 | .STRAINER 1 | 1 | |
| 6 | 6E5-24319-00-00 | .PIPE, OIL | 1 | |
| 7 | 90465-11M10-00 | .CLAMP | 2 | |
| 8 | 6E5-81900-00-00 | .MOTOR PUMP ASSEMBLY | 1 | |
| 9 | 6E5-81922-00-00 | .GROMMET | 1 | |
| 10 | 6E5-24321-00-00 | .PIPE 10 | 1 | |
| 11 | 6E5-24379-00-00 | .PIPE, JOINT 4 | 1 | |
| 12 | 90445-11M81-00 | .HOSE (L3000) | 1 | |
| 13 | 90465-11M10-00 | .CLAMP | 4 | |
| 14 | 6E5-85720-02-00 | .OIL LEVEL GAUGE ASSY | 1 | |
| 15 | 6E5-85721-10-00 | .WIRE LEAD (6E5-85721-01-00) | 1 | |
| 15 | 6E5-85721-10-00 | WIRE LEAD (6E5-85721-01-00) | 1 | ALT. PARTS |
| 16 | 6E5-21734-01-33 | HOLDER, OIL SUB TANK | 1 | |
| 17 | 6E5-21798-01-33 | BRACKET, DAMPER | 1 | |
| 18 | 6E5-21746-00-00 | DAMPER | 2 | |
| 19 | 97380-06100-00 | BOLT, HEXAGON (91201-06100) | 1 | |
| 20 | 92990-06600-00 | WASHER, PLATE | 2 | |
| 21 | 6E5-21750-02-00 | OIL TANK ASSEMBLY | 1 | |
| 22 | 6A0-82317-00-00 | DAMPER, IGNITION COIL | 3 | |
| 23 | 624-42542-00-00 | PIPE | 3 | |
| 24 | 90201-06M62-00 | WASHER, PLATE | 3 | |
| 25 | 97313-06030-00 | BOLT | 3 | |
| 26 | 6G7-85730-01-00 | OIL LEVEL SENSOR | 1 | |
| 27 | 6E5-85740-02-00 | CONTROL UNIT ASSY | 1 | |
| 28 | 6A0-82317-00-00 | DAMPER, IGNITION COIL | 2 | |
| 29 | 624-42542-00-00 | PIPE | 2 | |
| 30 | 90201-06M62-00 | WASHER, PLATE | 2 | |
| 31 | 97313-06030-00 | BOLT | 2 | |
| 32 | 6E5-24323-00-00 | PIPE 12 | 1 | |
| 33 | 6E5-24461-00-00 | PIPE, JOINT | 1 | |
| 34 | 90465-11M10-00 | CLAMP | 2 | |
| 35 | 90445-05M61-00 | HOSE | 1 | |
| 36 | 6E5-84301-01-00 | OIL INDICATOR | 1 | SEE NOTE |
| 37 | 688-83523-00-00 | .DAMPER | 1 | |
| 38 | (688-83514-00-00) | PLATE, FITTING | 1 | |
| 39 | 6E5-83536-01-00 | .SOCKET, METER | 1 | |
| 40 | 688-83516-10-00 | .BULB (12V-34W) | 3 | |
| 41 | 6E5-82521-10-00 | EXT, HRN.OIL IND.LG | 1 | ALT. PARTS |
| 41 | 6E5-82521-03-00 | WIRE, LEAD | 1 | |
| 42 | 95380-06600-00 | NUT, HEXAGON | 1 | |
| 43 | 6G5-81315-00-00 | LEAD WIRE ASSY | 1 | |
| 44 | 95380-05600-00 | NUT | 2 | |
| 45 | 92990-05100-00 | .WASHER, SPRING | 2 | |
| 46 | 6E5-21744-00-00 | BREATHER | 2 | |
| 47 | 90480-11M34-00 | GROMMET | 2 | |

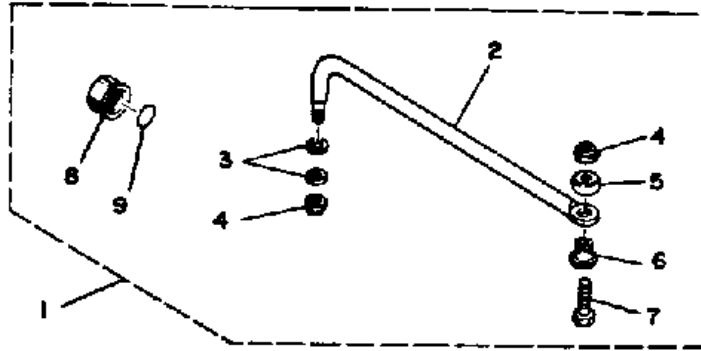
Part Notes

V6SPECIALXK 1985 / OIL TANK

| PART NUMBER | | NOTE TEXT |
|-----------------|---|---|
| 646-24251-02-00 |  | OEM: This part number is among the Top 100 Most Popular Marine Maintenance Parts as of August 2013. |
| 92990-06600-00 |  | OEM: This part number is among the Top 100 Most Popular Marine Maintenance Parts as of August 2013. |

©2013 Yamaha Motor Corporation, U.S.A. All rights reserved.

V6SPECIALXK 1985 / STEERING GUIDE ATTACHMENT



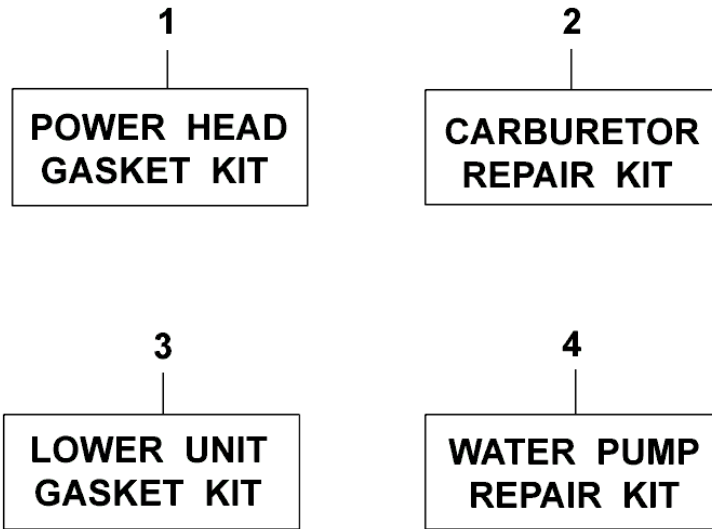
©2013 Yamaha Motor Corporation, U.S.A. All rights reserved.

Part List

V6SPECIALXK 1985 / STEERING GUIDE ATTACHMENT

| REF - NO | PART NUMBER | PART NAME | QUANTITY | REMARKS |
|----------------|-----------------|----------------------------------|----------|---------|
| 1 | 6E5-61350-01-00 | STEERING GUIDE ATTACHMENT KIT | 1 | |
| 2 | 6E5-61351-00-00 | .ROD, STEERING LINK | 1 | |
| 3 | 90201-10M20-00 | .WASHER, PLATE | 2 | |
| 4 | 90185-09M01-00 | .NUT, SELF-LOCKING | 2 | |
| 5 | 90560-12M01-00 | .SPACER | 1 | |
| 6 | 90387-10M61-000 | .COLLAR | 1 | |
| 7 | 6E5-61355-00-00 | .BOLT | 1 | |
| 8 | 6E5-43145-00-00 | .CAP, CLAMP BRACKET | 1 | |
| 9 | 93210-16275-00 | .O-RING | 1 | |

V6SPECIALXK 1985 / REPAIR KIT



©2013 Yamaha Motor Corporation, U.S.A. All rights reserved.

Part List

V6SPECIALXK 1985 / REPAIR KIT

| REF - NO | PART NUMBER | PART NAME | QUANTITY | REMARKS |
|----------------|-----------------|-----------------------|----------|---------|
| 1 | 6G5-W0001-03-00 | POWER HEAD GASKET KIT | 1 | |
| 2 | 6G5-W0093-02-00 | CARBURETOR REPAIR KIT | 1 | |
| 3 | 6G5-W0001-21-00 | LOWER UNIT GASKET KIT | 1 | |
| 4 | 6G5-W0078-01-00 | WATER PUMP REPAIR KIT | 1 | |

©2013 Yamaha Motor Corporation, U.S.A. All rights reserved.