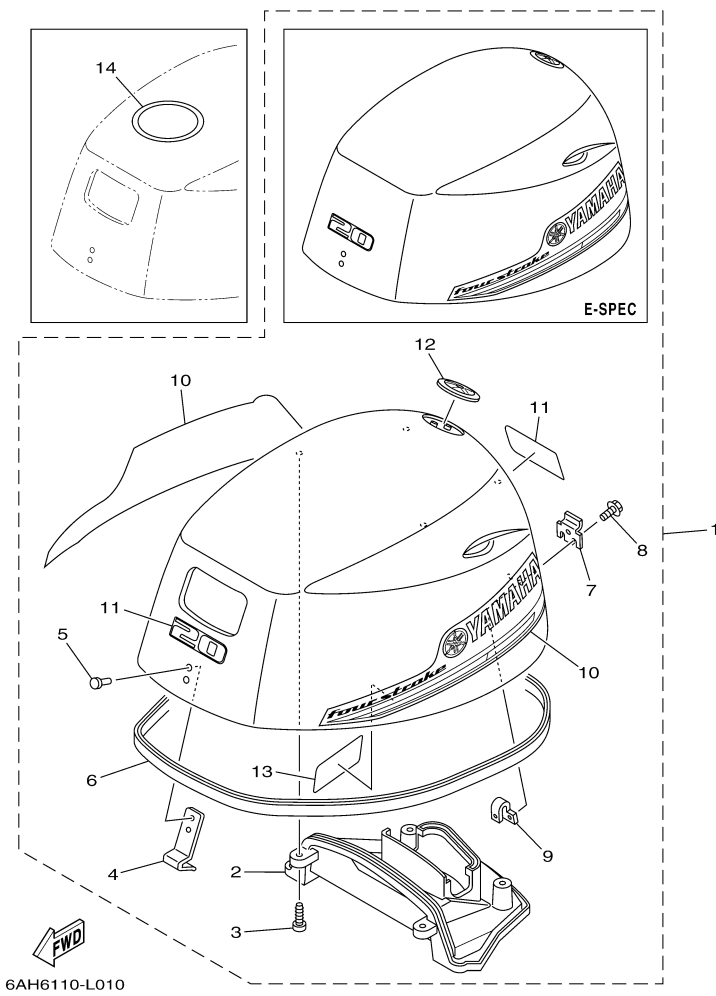


F20SEA_0411 / TOP COWLING



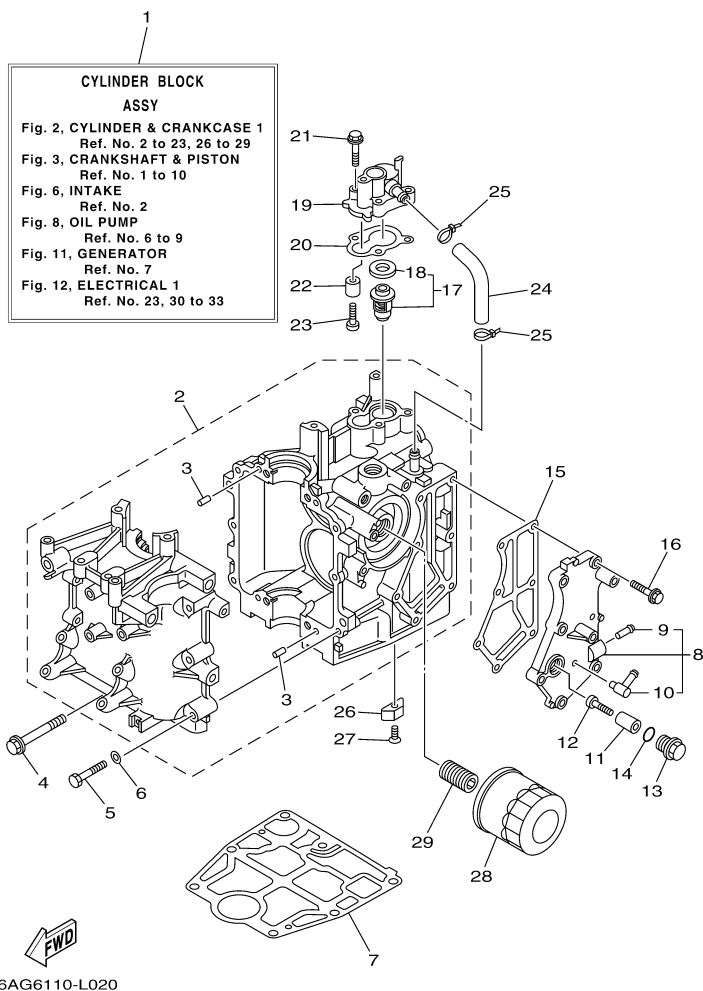
©2014 Yamaha Motor Corporation, U.S.A. All rights reserved.

Part List

F20SEA_0411 / TOP COWLING

REF - NO	PART NUMBER	PART NAME	QUANTITY	REMARKS
1	6AH-42610-80-00	TOP COWLING ASSY	1	
2	6AH-42613-00-00	.MOLDING, AIR DUCT	1	
3	97780-50616-00	.SCREW, TAPPING	4	
4	6AH-42651-00-00	.HOOK	1	
5	90266-06M02-00	.RIVET	2	
6	6AH-42615-00-00	.SEAL	1	
7	60R-42652-00-00	.HOOK	1	
8	97595-05514-00	.BOLT, WITH WASHER	2	
9	6AH-42649-00-00	.HOLDER, CLAMP BAND	1	
10	6AG-W0070-00-00	.GRAPHIC SET	1	
11	6AH-42677-00-00	.GRAPHIC, FRONT	2	
12	6AH-42697-01-00	.TUNING FORK MARK	1	
13	6AH-42735-00-00	.PROTECTOR	1	
14	67F-13434-20-00	LABEL, CAUTION	1	

F20SEA_0411 / CYLINDER CRANKCASE 1



Part List

F20SEA_0411 / CYLINDER CRANKCASE 1

REF - NO	PART NUMBER	PART NAME	QUANTITY	REMARKS
1	6AH-W009B-00-1S	CYLINDER BLOCK ASSY	1	
2	6AH-15100-00-00	CRANKCASE ASSY	1	
3	93606-12019-00	.PIN, DOWEL	4	
4	90119-08093-00	BOLT, WITH WASHER	4	
5	97013-06040-00	BOLT	6	
6	92903-06600-00	WASHER, PLATE	6	
7	6AH-11351-00-00	.GASKET, CYLINDER	1	
8	6AH-41113-00-1S	OUTER COVER, EXHAUST	1	
9	650-24378-00-00	.PIPE, JOINT 4	1	
10	676-11372-00-00	.NIPPLE, HOSE	1	
11	6G8-11325-00-00	ANODE	1	
12	97880-05025-00	SCREW, PAN HEAD	1	
13	6G8-11197-01-00	PLUG, BLIND	1	
14	93210-13M63-00	.O-RING	1	
15	6AH-41114-00-00	.GASKET, EXHAUST OUTER COVER	1	
16	90119-06MA3-00	BOLT, WITH WASHER	7	
17	6AH-12411-00-00	THERMOSTAT	1	
18	688-12412-00-00	.SEAL, THERMOSTAT	1	
19	6AH-12413-00-1S	COVER, THERMOSTAT	1	
20	6AH-12414-00-00	.GASKET, COVER	1	
21	90119-06MA3-00	BOLT, WITH WASHER	3	
22	6G8-11325-00-00	ANODE	1	
23	97880-05025-00	SCREW, PAN HEAD	1	
24	6AH-12481-00-00	PIPE 1	1	
25	90465-11M10-00	CLAMP	2	
26	6E5-11325-00-00	ANODE	1	
27	98780-04016-00	SCREW, FLAT HEAD	1	
28	5GH-13440-20-00	ELEMENT ASSY, OIL CLEANER	1	
29	6C5-12858-00-00	BOLT, UNION	1	

F20SEA_0411 / CRANKSHAFT PISTON



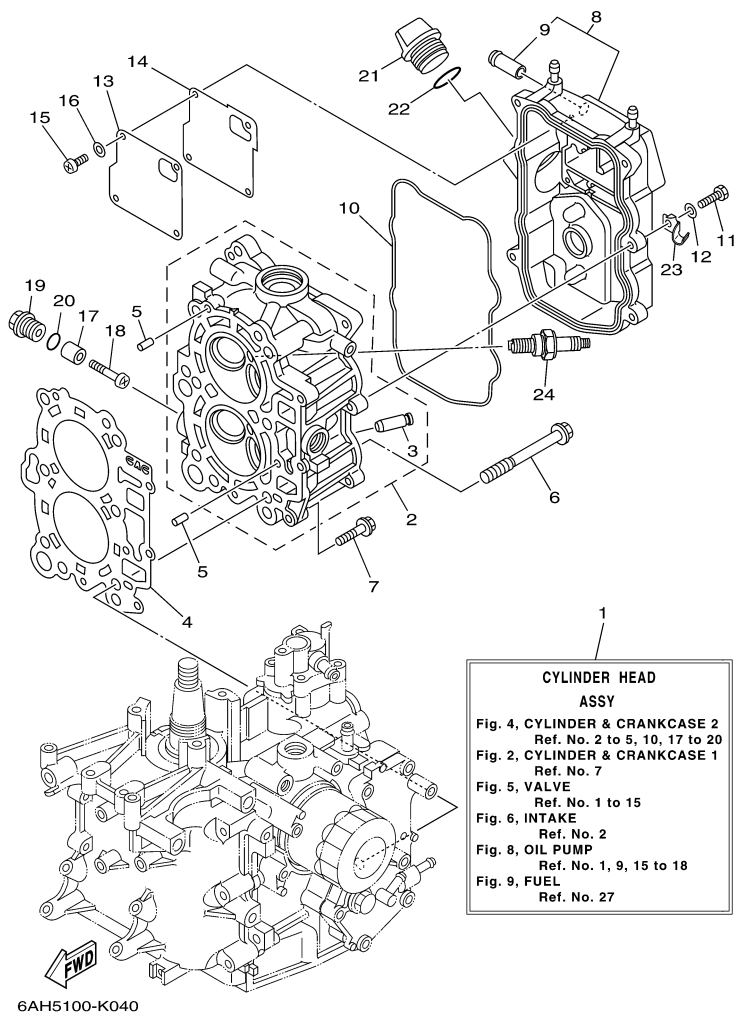
6AH1100-F030

Part List

F20SEA_0411 / CRANKSHAFT PISTON

REF - NO	PART NUMBER	PART NAME	QUANTITY	REMARKS
1	6AH-11411-00-00	CRANKSHAFT	1	
2	6AH-11416-00-00	PLANE BEARING, CRANKSHAFT 1	4	UR BLUE
2	6AH-11416-20-00	PLANE BEARING, CRANKSHAFT 1	4	UR BROWN
2	6AH-11416-10-00	PLANE BEARING, CRANKSHAFT 1	4	UR BLACK
3	6AH-11650-00-00	CONNECTING ROD ASSY	2	
4	6AH-11654-00-00	.BOLT, CONNECTING ROD	2	
5	6AH-11631-00-00	PISTON (STD)	2	
5	6AH-11636-00-00	PISTON (0.50MM O/S)	2	AP
5	6AH-11635-00-00	PISTON (0.25MM O/S)	2	AP
6	6AH-11603-00-00	PISTON RING SET (STD)	2	
6	6AH-11605-00-00	PISTON RING SET (0.50MM O/S)	2	AP
6	6AH-11604-00-00	PISTON RING SET (0.25MM O/S)	2	AP
7	137-11633-10-00	PIN, PISTON	2	
8	93450-17129-00	CIRCLIP	4	
9	93102-37004-00	.OIL SEAL	1	
10	93102-25014-00	.OIL SEAL	1	

F20SEA_0411 / CYLINDER CRANKCASE 2

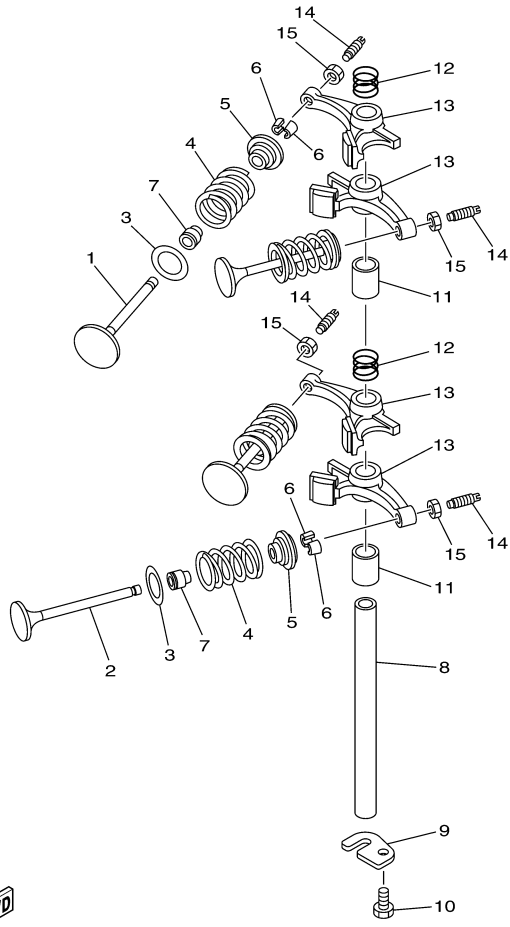


Part List

F20SEA_0411 / CYLINDER CRANKCASE 2

REF - NO	PART NUMBER	PART NAME	QUANTITY	REMARKS
1	6AH-W009A-00-1S	CYLINDER HEAD COMPLETE	1	
2	6AH-11111-00-1S	HEAD, CYLINDER 1	1	
3	6AH-11133-10-00	.GUIDE, VALVE 1	4	
4	6AG-11181-00-00	.GASKET, CYLINDER HEAD 1	1	
5	93606-12019-00	.PIN, DOWEL	2	
6	90105-09006-00	BOLT, FLANGE	6	
7	90119-06MA3-00	BOLT, WITH WASHER	3	
8	6AH-11191-00-1S	COVER, CYLINDER HEAD 1	1	
9	6AH-11372-00-00	.NIPPLE, HOSE	1	
10	6AH-11356-00-00	.SEAL, CYLINDER 2	1	
11	97095-06020-00	BOLT	5	
12	92995-06600-00	WASHER	5	
13	6AH-11168-00-00	COVER, BREATHER	1	
14	6AH-11169-00-00	.GASKET, BREATHER COVER	1	
15	98507-04010-00	SCREW, PAN HEAD	4	
16	92907-04600-00	WASHER	4	
17	6G8-11325-00-00	ANODE	2	
18	97880-05025-00	SCREW, PAN HEAD	2	
19	6G8-11197-01-00	PLUG, BLIND	2	
20	93210-13M63-00	.O-RING	2	
21	6G8-15363-00-00	PLUG, OIL	1	
22	93210-24M79-00	.O-RING	1	
23	90465-08059-00	CLAMP	1	
24	DPR-6EB00-00-00	PLUG, SPARK (NGK DPR6EB)	2	

F20SEA_0411 / VALVE



6AH1100-F050

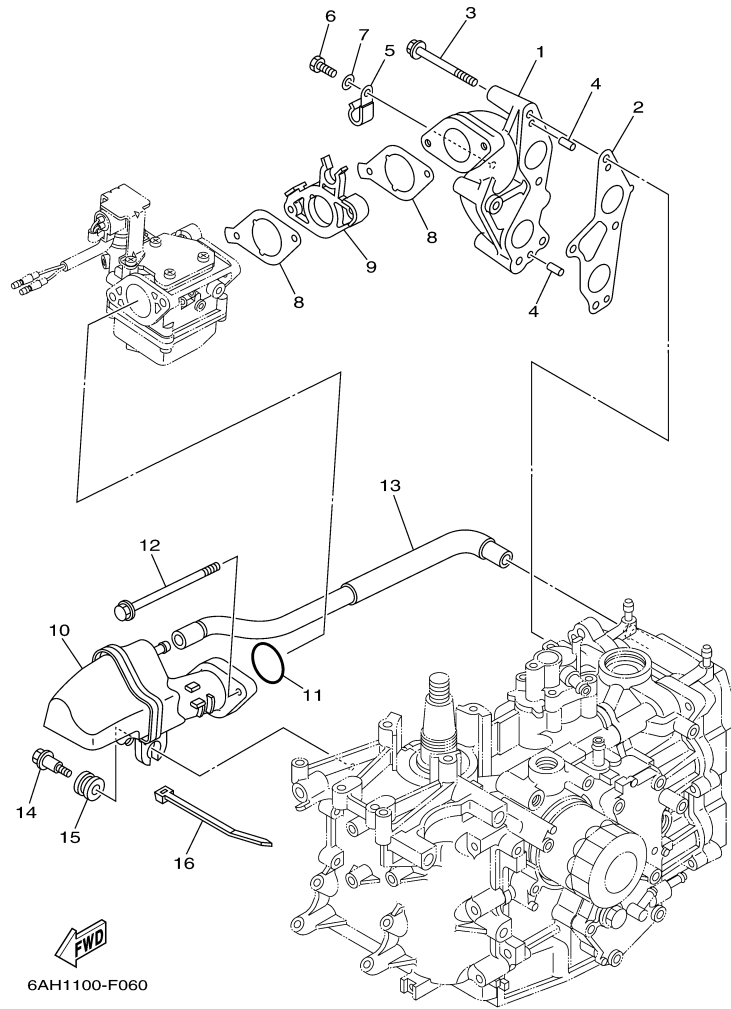
©2014 Yamaha Motor Corporation, U.S.A. All rights reserved.

Part List

F20SEA_0411 / VALVE

REF - NO	PART NUMBER	PART NAME	QUANTITY	REMARKS
1	6AH-12111-00-00	VALVE, INTAKE	2	
2	6AH-12121-00-00	VALVE, EXHAUST	2	
3	62Y-12116-00-00	SEAT, VALVE SPRING	4	
4	3YF-12113-00-00	SPRING, VALVE INNER	4	
5	30X-12117-00-00	RETAINER, VALVE SPRING	4	
6	30X-12118-00-00	LOCK, VALVE SPRING RETAINER	8	
7	51Y-12119-00-00	SEAL, VALVE STEM	4	
8	66M-12146-00-00	SHAFT, ROCKER	1	
9	6AH-12279-00-00	PLATE	1	
10	97013-06012-00	BOLT	1	
11	90387-13006-00	COLLAR	2	
12	90501-120A5-00	SPRING, COMPRESSION	2	
13	6AH-12151-00-00	ARM, VALVE ROCKER	4	
14	64J-12159-00-00	SCREW, VALVE ADJUSTING	4	
15	62Y-12158-00-00	NUT, LOCK	4	

F20SEA_0411 / INTAKE



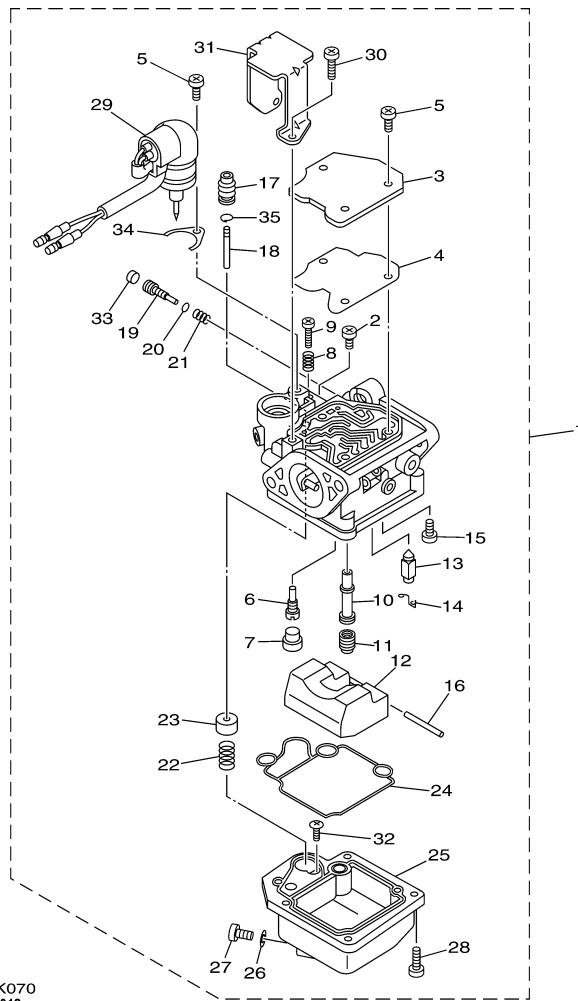
©2014 Yamaha Motor Corporation, U.S.A. All rights reserved.

Part List

F20SEA_0411 / INTAKE

REF - NO	PART NUMBER	PART NAME	QUANTITY	REMARKS
1	6AH-13641-00-94	MANIFOLD, INTAKE 1	1	
2	6AH-13645-00-00	.GASKET, MANIFOLD 1	1	
3	97595-06555-00	BOLT, WITH WASHER	4	
4	91690-50014-00	PIN, SPRING	2	
5	90465-08M83-00	CLAMP	2	
6	97095-06012-00	BOLT	2	
7	92995-06600-00	WASHER	2	
8	6AH-13646-00-00	.GASKET, MANIFOLD 2	2	
9	6AH-14271-00-00	INSULATOR	1	
10	6AH-14440-00-00	SILENCER ASSY, INTAKE	1	
11	93210-35M86-00	.O-RING	1	
12	95895-06100-00	BOLT, FLANGE	2	
13	6AH-15373-00-00	PIPE, BREATHER	1	
14	90109-06MA1-00	BOLT	1	
15	90480-16616-00	GROMMET	1	
16	90465-13M18-00	CLAMP	1	

F20SEA_0411 / CARBURETOR




6AH5110-K070
Rev. 3-20-2012


Part List

F20SEA_0411 / CARBURETOR

REF - NO	PART NUMBER	PART NAME	QUANTITY	REMARKS
1	6AH-14301-41-00	CARBURETOR ASSY 1	1	
2	98580-04006-00	.SCREW, PAN HEAD	1	
3	65W-14572-00-00	.PLATE	1	
4	65W-14126-10-00	.GASKET	1	
5	97980-04110-00	.SCREW, WITH WASHER	4	
6	676-14948-05-00	.JET (#45)	1	FOR 6AH-14301-41
7	679-14966-00-00	.RUBBER CAP	1	
8	90501-10326-00	.SPRING, COMPRESSION	1	
9	63V-14523-00-00	.SCREW, STOP	1	
10	6AH-14947-00-00	.JET, NEEDLE	1	
11	63D-14943-81-00	.JET, MAIN (#118)	1	
12	6AH-14985-00-00	.FLOAT	1	
13	6AH-14546-00-00	.VALVE, NEEDLE	1	
14	663-14159-00-00	.CLIP	1	
15	98580-04008-00	.SCREW, PAN HEAD	1	
16	6H4-14548-00-00	.PIN, FLOAT ARM	1	
17	65W-14373-02-00	.COVER, PLUNGER CAP	1	
18	6AH-14379-00-00	.ROD, STARTER	1	
19	67C-14923-00-00	.SCREW, PILOT	1	
20	67C-14397-00-00	.O-RING	1	
21	67C-14555-00-00	.SPRING	1	
22	6AH-14335-00-00	.SPRING, PLUNGER	1	
23	6AH-14371-00-00	.PLUNGER, STARTER	1	
24	6AH-14384-00-00	.GASKET, FLOAT CHAMBER	1	
25	6AH-14980-00-00	.BODY, FLOAT CHAMBER	1	
26	65W-14398-00-00	.GASKET	1	
27	65W-14992-00-00	.SCREW, DRAIN	1	
28	97980-04114-00	.SCREW, WITH WASHER	4	
29	6AH-14380-10-00	.PRIME STARTER ASSY	1	FOR 6AH-14301-41
30	97980-04108-00	.SCREW, WITH WASHER	2	
31	6AH-14346-00-00	.PLATE	1	
32	67C-14567-00-00	.SCREW	1	
33	67C-1432A-00-00	.PLUG	1	
34	65W-14346-00-00	.PLATE	1	
35	65W-1439G-00-00	.CLIP 1	1	

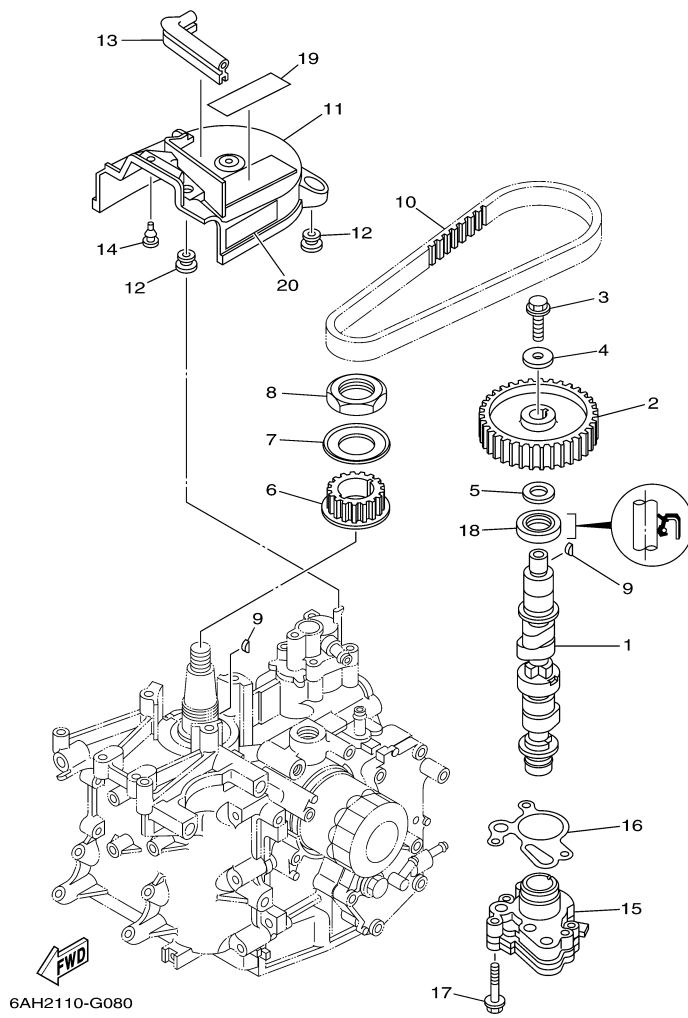
Part Notes

F20SEA_0411 / CARBURETOR

PART NUMBER	NOTE TEXT
6AH-14380-10-00	 OEM: The O-Ring for sealing this part to the carburetor body is not shown separately. The Part Number for the O-Ring is 93210-17001-00.

©2014 Yamaha Motor Corporation, U.S.A. All rights reserved.

F20SEA_0411 / OIL PUMP



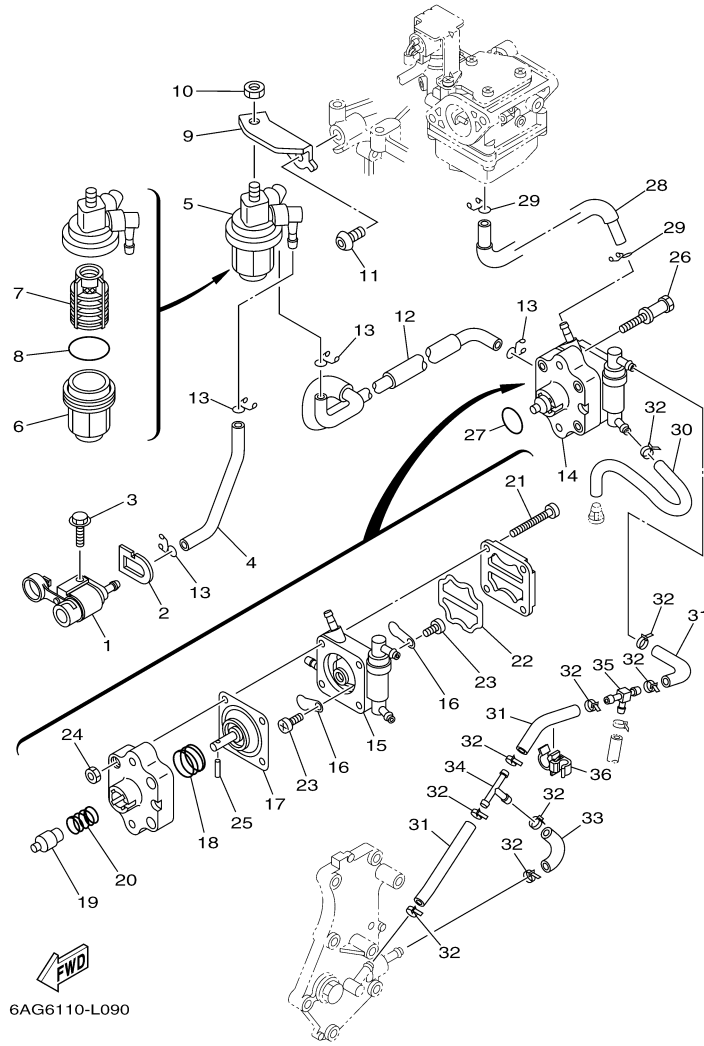
6AH2110-G080

Part List

F20SEA_0411 / OIL PUMP

REF - NO	PART NUMBER	PART NAME	QUANTITY	REMARKS
1	6AH-12170-00-00	CAMSHAFT ASSY 1	1	
2	6AH-11537-00-00	GEAR, DRIVEN	1	
3	90105-081A7-00	BOLT, FLANGE	1	
4	90201-08784-00	WASHER, PLATE	1	
5	90201-15423-00	WASHER, PLATE	1	
6	6AH-11536-00-00	GEAR, DRIVE	1	
7	6AH-11557-00-00	WASHER 1	1	
8	90170-30003-00	NUT	1	
9	90280-03M01-00	.KEY, WOODRUFF	2	
10	6AH-46241-00-00	BELT	1	
11	6AH-46297-00-00	COVER, DUST	1	
12	90480-10627-00	GROMMET	3	
13	6AH-42617-00-00	DAMPER, FORM	1	
14	90480-06M19-00	GROMMET	1	
15	6AH-13300-00-00	OIL PUMP ASSY	1	
16	6AH-13329-00-00	.GASKET, PUMP COVER	1	
17	90105-06035-00	BOLT, FLANGE	3	
18	93102-22009-00	.OIL SEAL	1	
19	6AH-13437-40-00	MARK, CAUTION	1	
20	6AH-81994-40-00	LABEL, SAFETY	1	

F20SEA_0411 / FUEL



6AG6110-L090


Part List

F20SEA_0411 / FUEL

REF - NO	PART NUMBER	PART NAME	QUANTITY	REMARKS
1	6YL-24304-00-00	FUEL PIPE JOINT COMP. 1	1	
2	61N-24329-00-00	SEAL	1	
3	95895-06020-00	BOLT, FLANGE	1	
4	6AH-24311-10-00	PIPE, FUEL 1	1	
5	61N-24560-10-00	FILTER ASSY	1	
6	61N-24521-00-00	.CUP, FILTER	1	
7	61N-24563-10-00	.ELEMENT, FILTER	1	
8	93210-32738-00	.O-RING	1	
9	6AH-24566-00-00	BRACKET, FILTER	1	
10	95380-08600-00	NUT	1	
11	90111-08055-00	BOLT,HEX. SOCKET BUTTON	1	
12	6AH-24312-10-00	PIPE 2	1	
13	90467-09M17-00	CLIP	4	
14	6AH-24410-00-00	FUEL PUMP ASSY	1	
15	6AH-24413-00-00	.BODY 2	1	
16	6A0-24421-01-00	.VALVE, CHECK	2	
17	66M-24411-11-00	.DIAPHRAGM	1	
18	66M-24423-00-00	.SPRING, DIAPHRAGM	1	
19	66M-13131-10-00	.PLUNGER	1	
20	66M-24454-00-00	.SPRING	1	
21	66M-24444-00-00	.SCREW	4	
22	66M-24471-01-00	.DIAPHRAGM	1	
23	6E7-14325-00-00	.SCREW, PAN HEAD	2	
24	95380-04600-00	.NUT	4	
25	66M-24374-00-00	.PIN	1	
26	90109-06215-00	BOLT	2	
27	93210-20M65-00	.O-RING	1	
28	6AH-24313-10-00	PIPE 3	1	
29	90467-09M17-00	CLIP	2	
30	6AH-24315-00-00	PIPE 5	1	
31	90445-09026-00	HOSE (L68)	3	
32	90465-11M10-00	CLAMP	9	
33	6AH-24317-00-00	PIPE 7	1	
34	688-24378-00-00	PIPE, JOINT 3	1	
35	6C5-24378-00-00	PIPE, JOINT 3	1	
36	90464-09018-00	CLAMP	1	

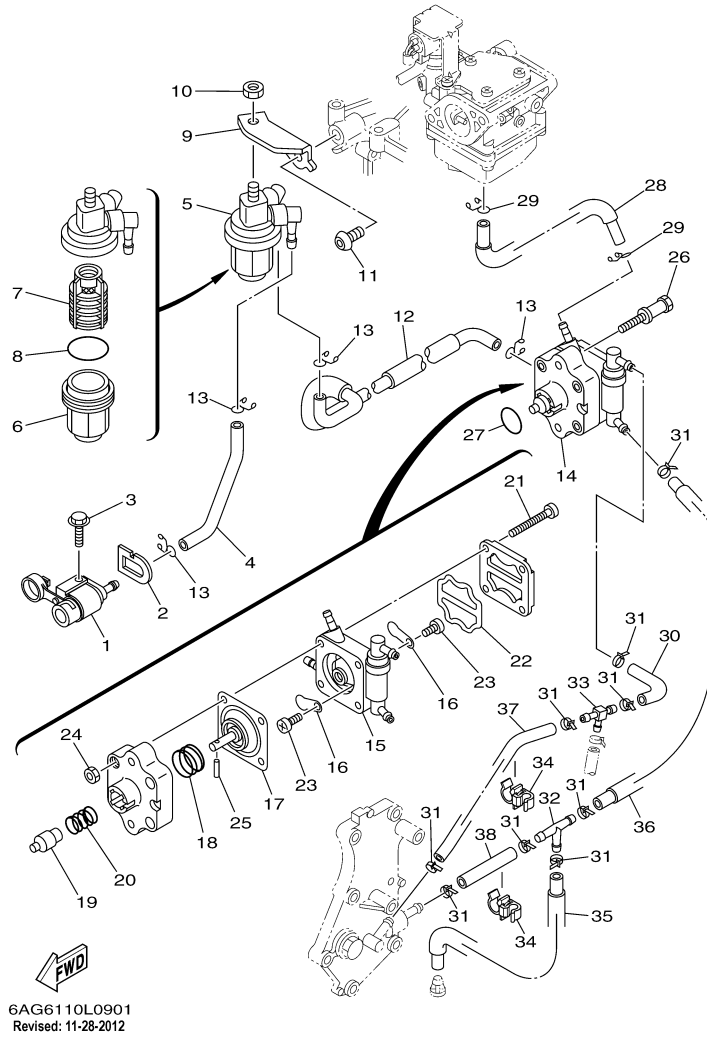
Part Notes

F20SEA_0411 / FUEL

PART NUMBER	NOTE TEXT
61N-24563-10-00 	OEM: This part number is among the Top 100 Most Popular Marine Maintenance Parts as of March 2014.

©2014 Yamaha Motor Corporation, U.S.A. All rights reserved.

F20SEA_0411 / FUEL 6AHK:1034060-




Part List

F20SEA_0411 / FUEL 6AHK:1034060-

REF - NO	PART NUMBER	PART NAME	QUANTITY	REMARKS
1	6YL-24304-00-00	FUEL PIPE JOINT COMP. 1	1	
2	61N-24329-00-00	SEAL	1	
3	95895-06020-00	BOLT, FLANGE	1	
4	6AH-24311-10-00	PIPE, FUEL 1	1	
5	61N-24560-10-00	FILTER ASSY	1	
6	61N-24521-00-00	.CUP, FILTER	1	
7	61N-24563-10-00	.ELEMENT, FILTER	1	
8	93210-32738-00	.O-RING	1	
9	6AH-24566-00-00	BRACKET, FILTER	1	
10	95380-08600-00	NUT	1	
11	90111-08055-00	BOLT,HEX. SOCKET BUTTON	1	
12	6AH-24312-10-00	PIPE 2	1	
13	90467-09M17-00	CLIP	4	
14	6AH-24410-00-00	FUEL PUMP ASSY	1	
15	6AH-24413-00-00	.BODY 2	1	
16	6A0-24421-01-00	.VALVE, CHECK	2	
17	66M-24411-11-00	.DIAPHRAGM	1	
18	66M-24423-00-00	.SPRING, DIAPHRAGM	1	
19	66M-13131-10-00	.PLUNGER	1	
20	66M-24454-00-00	.SPRING	1	
21	66M-24444-00-00	.SCREW	4	
22	66M-24471-01-00	.DIAPHRAGM	1	
23	6E7-14325-00-00	.SCREW, PAN HEAD	2	
24	95380-04600-00	.NUT	4	
25	66M24374-00-00	.PIN	1	
26	90109-06215-00	BOLT	2	
27	93210-20M65-00	.O-RING	1	
28	6AH-24313-10-00	PIPE 3	1	
29	90467-09M17-00	CLIP	2	
30	90445-09026-00	HOSE (L68)	1	UR 6AH6:1034060-
31	90465-11M10-00	CLAMP	9	
32	688-24378-00-00	PIPE, JOINT 3	1	
33	6C5-24378-00-00	PIPE, JOINT 3	1	
34	90464-09018-00	CLAMP	2	UR 6AH6:1034060-
35	6AH-24321-00-00	PIPE 10	1	UR 6AH6:1034060-
36	6AH-24322-00-00	PIPE 11	1	UR 6AH6:1034060-
37	90445-09082-00	HOSE (L150)	1	UR 6AH6:1034060-
38	90445-09061-00	HOSE (L65)	1	UR 6AH6:1034060-

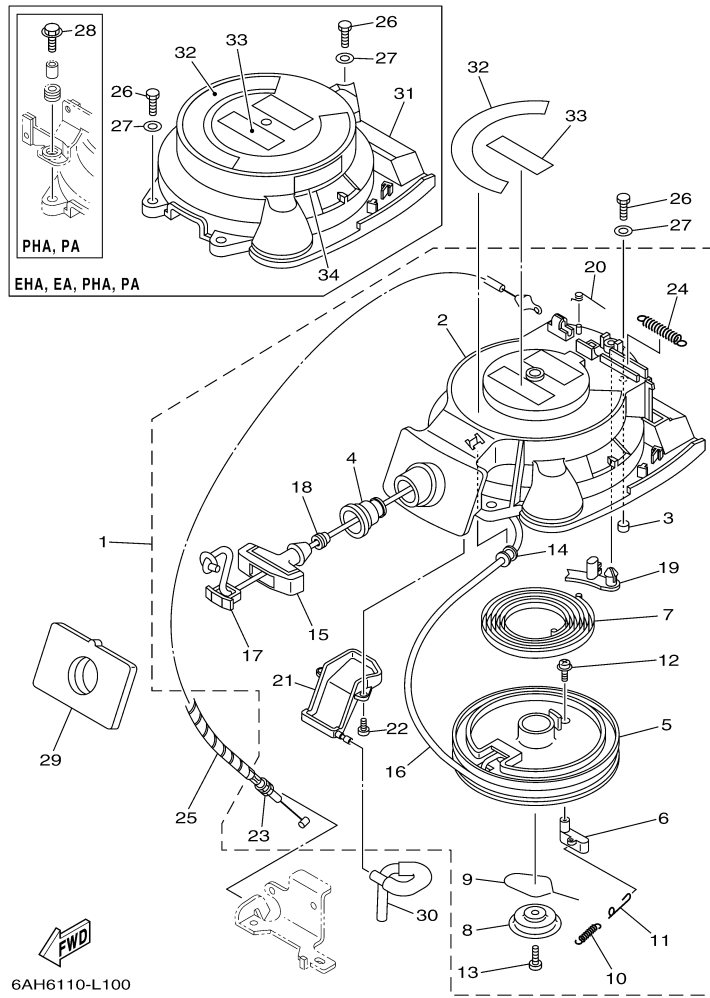
Part Notes

F20SEA_0411 / FUEL 6AHK:1034060-

PART NUMBER	NOTE TEXT
61N-24563-10-00 	OEM: This part number is among the Top 100 Most Popular Marine Maintenance Parts as of March 2014.

©2014 Yamaha Motor Corporation, U.S.A. All rights reserved.

F20SEA_0411 / STARTER



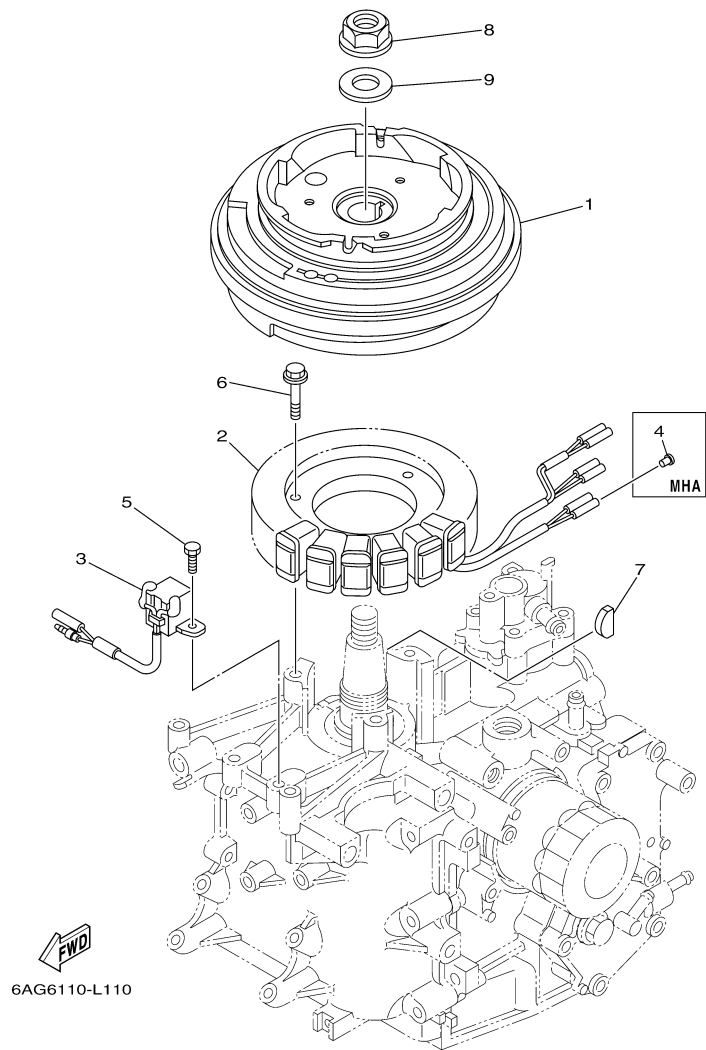
©2014 Yamaha Motor Corporation, U.S.A. All rights reserved.

Part List

F20SEA_0411 / STARTER

REF - NO	PART NUMBER	PART NAME	QUANTITY	REMARKS
26	97095-06020-00	BOLT	3	
27	92995-06600-00	WASHER	3	
31	6AH-81337-00-00	COVER, FLYWHEEL	1	
32	6AH-14427-40-00	LABEL, INSTRUCTION	1	
33	6AH-81995-40-00	LABEL, WARNING	1	
34	6AG-81996-00-00	MARK	1	

F20SEA_0411 / GENERATOR



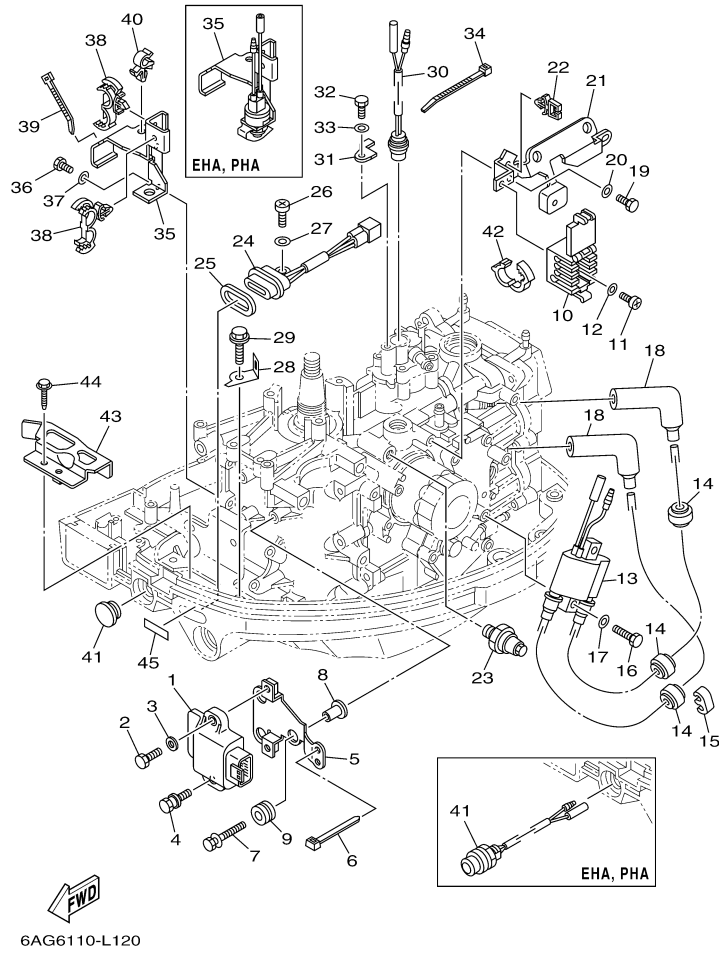
©2014 Yamaha Motor Corporation, U.S.A. All rights reserved.

Part List

F20SEA_0411 / GENERATOR

REF - NO	PART NUMBER	PART NAME	QUANTITY	REMARKS
1	6AH-85550-10-00	ROTOR ASSY	1	
2	6AH-85510-00-00	STATOR ASSY	1	
3	6AH-85580-00-00	COIL, PULSER	1	
5	97095-05012-00	BOLT	2	
6	95895-06030-00	BOLT, FLANGE	3	
7	90280-05013-00	KEY, WOODRUFF	1	
8	90179-16M05-00	NUT	1	
9	90201-16M44-00	WASHER, PLATE	1	

F20SEA_0411 / ELECTRICAL 1



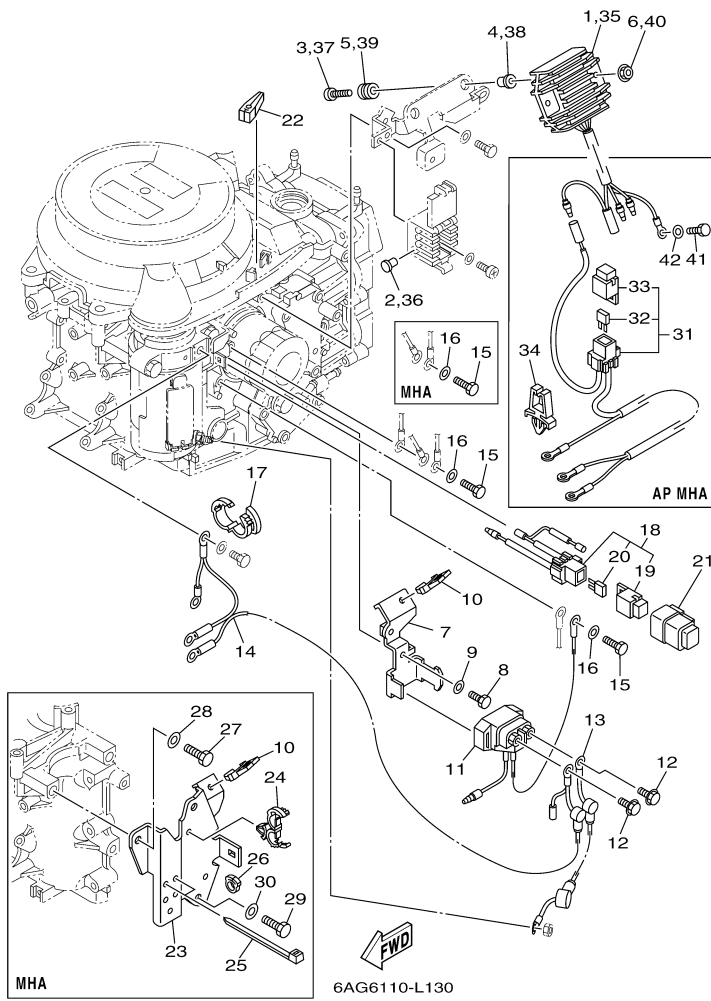
©2014 Yamaha Motor Corporation, U.S.A. All rights reserved.

Part List

F20SEA_0411 / ELECTRICAL 1

REF - NO	PART NUMBER	PART NAME	QUANTITY	REMARKS
1	6AH-85540-00-00	C.D.I. UNIT ASSY	1	
2	97095-06020-00	BOLT	1	
3	92995-06600-00	WASHER	1	
4	90109-06221-00	BOLT	1	
5	6AH-81948-00-00	BRACKET	1	
6	90465-13M18-00	CLAMP	1	
7	90119-06M35-00	BOLT, WITH WASHER	3	
8	90387-06M60-00	COLLAR	3	
9	90480-10M23-00	GROMMET	3	
10	6AH-82522-00-00	CLAMP, COUPLER	1	
11	97880-06010-00	SCREW, PAN HEAD	1	
12	90201-06M05-00	WASHER, PLATE	1	
13	6F5-85570-13-00	IGNITION COIL ASSY	1	
14	90480-25003-00	GROMMET	3	
15	67F-82361-00-00	CLAMP, CORD	1	
16	97095-06025-00	BOLT	2	
17	92995-06600-00	WASHER	2	
18	6AH-82370-00-00	PLUG CAP ASSY	2	
19	97095-06014-00	BOLT	2	
20	92995-06600-00	WASHER	2	
21	6AH-85542-00-00	BRACKET	1	
22	90464-07M56-00	CLAMP	2	
23	64J-82504-00-00	OIL PRESSURE SWITCH ASSY	1	
24	62Y-84301-00-00	PILOT LIGHT ASSY 1	1	
25	6H4-83589-00-00	GASKET	1	
26	97885-06012-00	SCREW, PAN HEAD	1	
27	92995-06600-00	WASHER	1	
28	6AH-82388-00-00	PLATE	1	
29	90109-06M86-00	BOLT	1	
30	6AH-82560-00-00	THERMO SWITCH ASSY	1	
31	6AH-82588-00-00	PLATE	1	
32	97095-06014-00	BOLT	1	
33	92995-06600-00	WASHER	1	
34	90465-11M10-00	CLAMP	1	
35	6AH-82554-00-00	STAY, NEUTRAL SWITCH	1	
36	97095-06016-00	BOLT	2	
37	92995-06600-00	WASHER	2	
38	90464-18246-00	CLAMP	2	
40	90464-10M32-00	CLAMP	1	
41	6G1-42725-00-00	GROMMET	1	
42	90464-16001-00	CLAMP	1	
43	6AH-82389-00-00	PLATE 2	1	
44	90109-06M86-00	BOLT	1	
45	67C-85415-00-00	MARK, SIGNAL LAMP	1	

F20SEA_0411 / ELECTRICAL 2



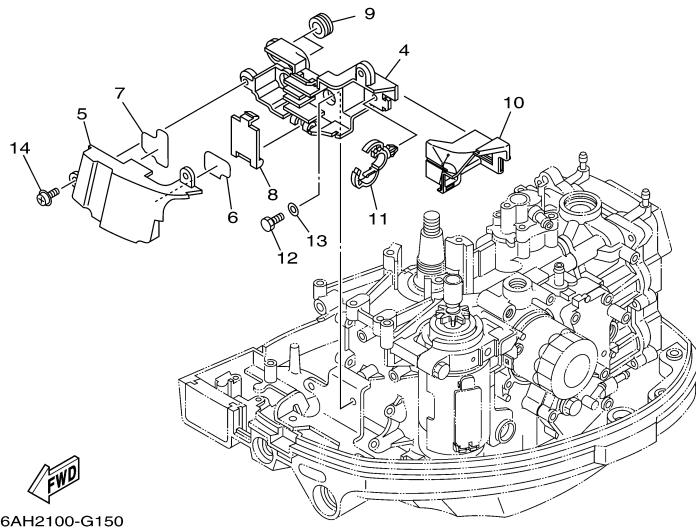
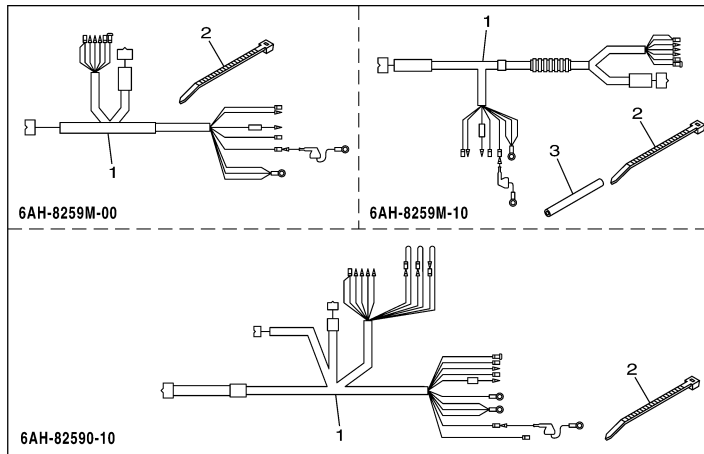
©2014 Yamaha Motor Corporation, U.S.A. All rights reserved.

Part List

F20SEA_0411 / ELECTRICAL 2

REF - NO	PART NUMBER	PART NAME	QUANTITY	REMARKS
1	6AH-81960-00-00	RECTIFIER & REGULATOR ASSY	1	
2	703-82119-00-00	COVER, LEAD WIRE	1	
3	98980-06030-00	SCREW, BIND	2	
4	90387-06M70-00	COLLAR	2	
5	90480-13M24-00	GROMMET	2	
6	95780-06500-00	NUT, FLANGE	2	
7	6AH-81945-00-00	PLATE, SWITCH FITTING	1	
8	97095-06014-00	BOLT	1	
9	92995-06600-00	WASHER	1	
10	90464-08004-00	CLAMP	1	
11	68T-81940-00-00	STARTER RELAY ASSY	1	
12	97595-06610-00	BOLT, WITH WASHER	2	
13	6AH-82117-00-00	WIRE, LEAD	1	
14	6AH-82105-00-00	BATTERY CABLE	1	
15	97095-06014-00	BOLT	2	
16	92995-06600-00	WASHER	2	
17	90464-16001-00	CLAMP	1	
18	6AH-82150-00-00	FUSE HOLDER ASSY	1	
19	67F-8215B-10-00	.CAP (YELLOW)	1	
20	67F-82151-00-00	.FUSE (20A)	2	
21	6AH-82157-00-00	DAMPER	1	
22	67F-2812A-00-00	.PULLER, FUSE	1	

F20SEA_0411 / ELECTRICAL 3

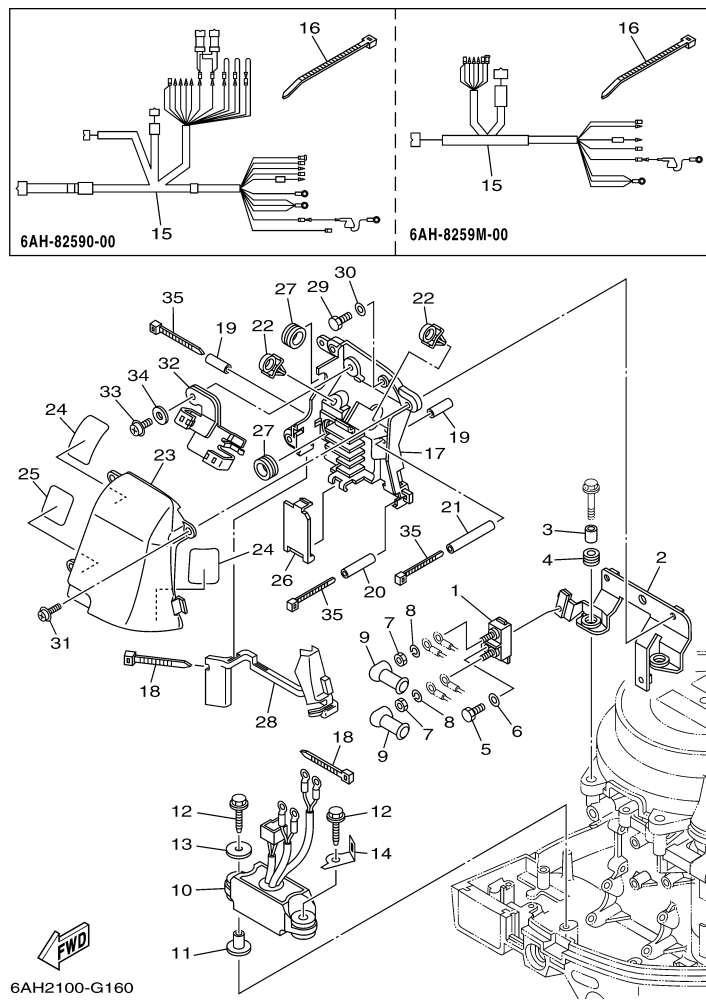


Part List

F20SEA_0411 / ELECTRICAL 3

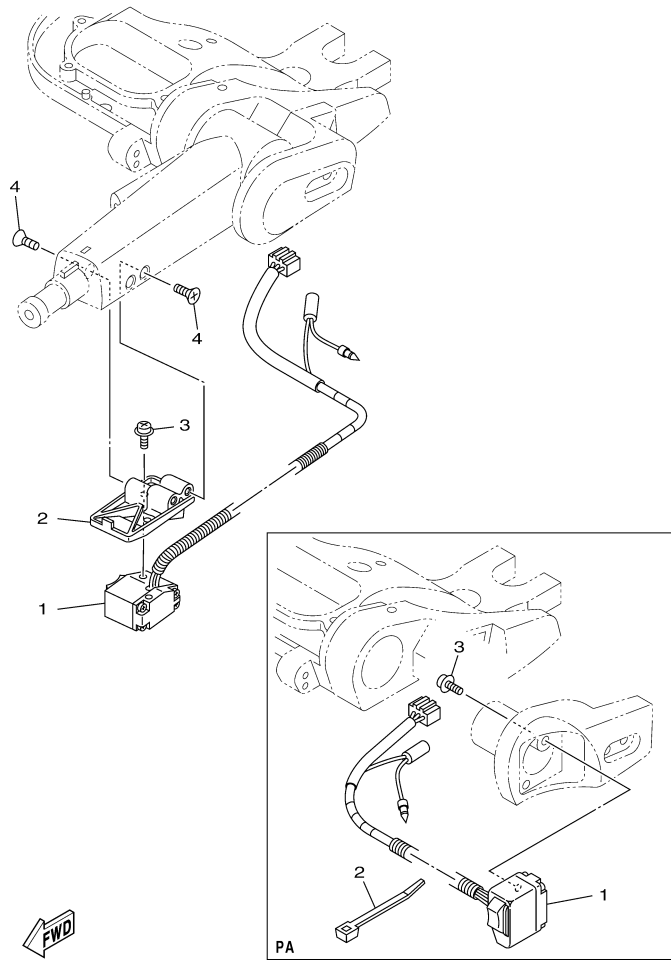
REF - NO	PART NUMBER	PART NAME	QUANTITY	REMARKS
1	6AH-82590-10-00	WIRE HARNESS ASSY	1	
2	90465-13M18-00	CLAMP	1	
4	6AH-8552A-00-00	HOUSING	1	
5	6AH-8552E-00-00	COVER, CASE	1	
6	6AH-42735-30-00	PROTECTOR	1	
7	6AH-42735-40-00	PROTECTOR	1	
8	6AH-85537-00-00	COVER	1	
9	90480-19368-00	GROMMET	2	
10	6AH-85547-00-00	DAMPER	1	
11	90464-20181-00	CLAMP	1	
12	97095-06014-00	BOLT	2	
13	92995-06600-00	WASHER	2	
14	97985-06214-00	SCREW, WITH WASHER	2	

F20SEA_0411 / ELECTRICAL 4



©2014 Yamaha Motor Corporation, U.S.A. All rights reserved.

F20SEA_0411 / ELECTRICAL 5



6AH6110-L160

F20SEA_0411 / STARTING MOTOR



©2014 Yamaha Motor Corporation, U.S.A. All rights reserved.

Part List

F20SEA_0411 / STARTING MOTOR

REF - NO	PART NUMBER	PART NAME	QUANTITY	REMARKS
1	6AH-81800-00-00	STARTING MOTOR ASSY	1	
2	689-81850-11-00	.ARMATURE ASSY	1	
3	689-81809-11-00	.WASHER KIT	1	
4	689-81810-11-00	.STATOR ASSY	1	
5	689-81847-11-00	.O-RING	2	
6	689-81840-11-00	.BRUSH HOLDER ASSY	1	
7	689-81811-11-00	..BRUSH 1	1	
8	689-81812-11-00	..BRUSH 2	1	
9	689-81813-10-00	..SPRING, BRUSH	2	
10	6AH-81820-00-00	.REAR BRACKET ASSY	1	
11	689-81807-12-00	.GEAR ASSY, STARTING MOTOR	1	
12	68T-81857-00-00	.RETAINER	1	
13	6AH-81830-00-00	.FRONT BRACKET ASSY	1	
14	689-81831-00-00	..METAL, FRONT	1	
15	689-81826-10-00	.BOLT	2	
16	97013-08045-00	BOLT	2	
17	92903-08600-00	WASHER, PLATE	2	
18	97013-08035-00	BOLT	1	
19	92903-08600-00	WASHER, PLATE	1	
20	97095-08016-00	BOLT	1	
21	92995-08600-00	WASHER	1	
22	6AH-81942-00-00	COVER	1	
23	6AH-82581-00-00	STAY, CORD CLAMP	1	
24	97095-06014-00	BOLT	1	
25	92995-06600-00	WASHER	1	

F20SEA_0411 / BOTTOM COWLING

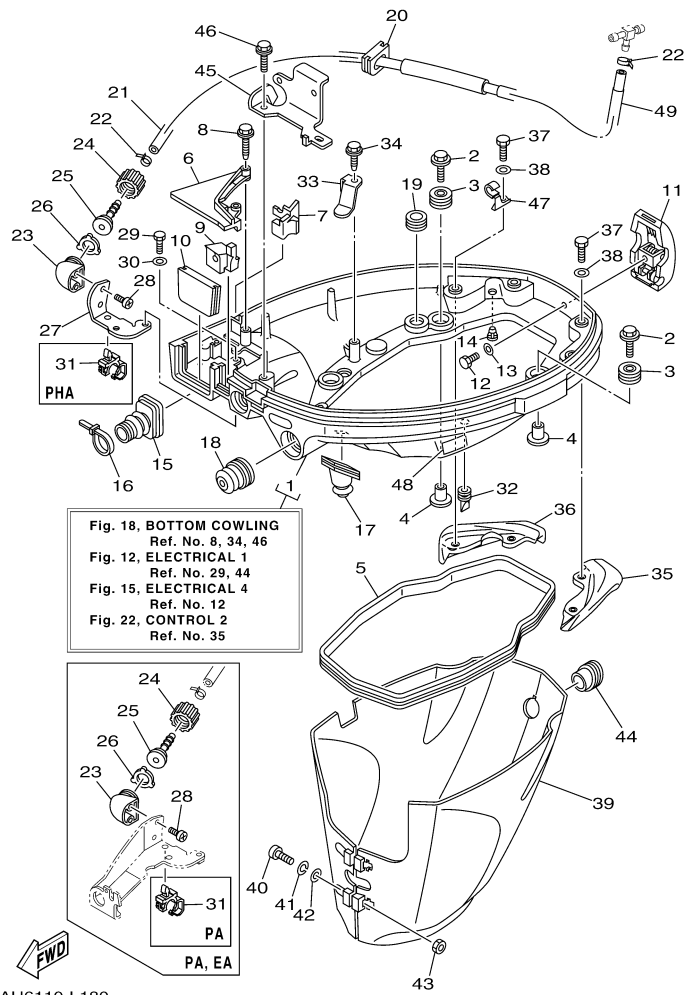


Fig. 18, BOTTOM COWLING
 Ref. No. 8, 34, 46
 Fig. 12, ELECTRICAL 1
 Ref. No. 29, 44
 Fig. 15, ELECTRICAL 4
 Ref. No. 12
 Fig. 22, CONTROL 2
 Ref. No. 35

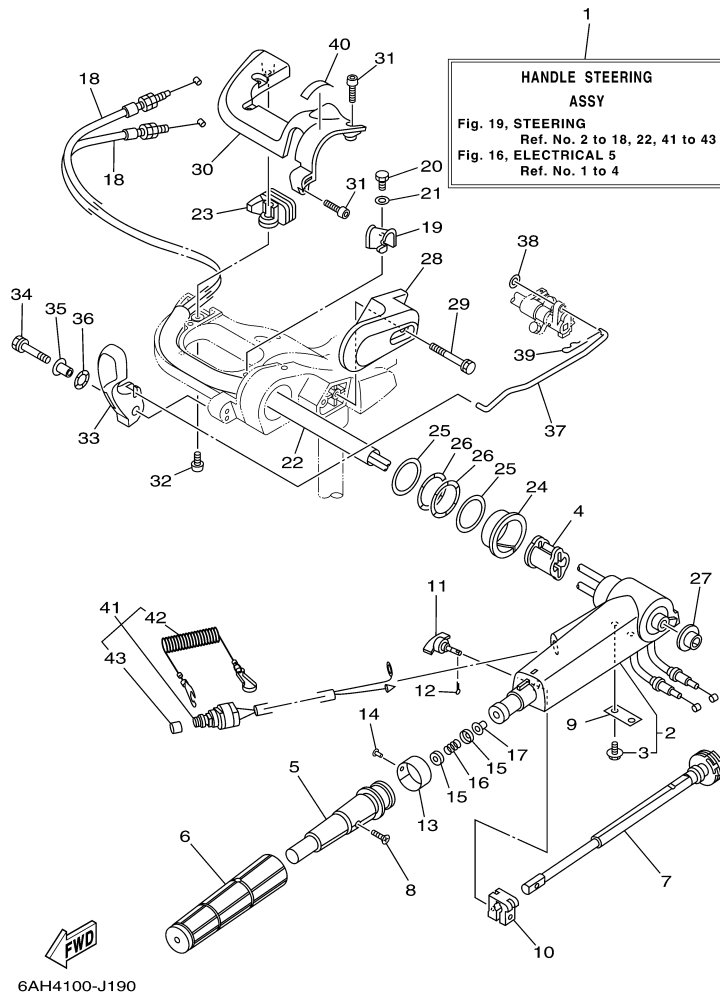
6AH6110-L180
 Revised: 11-28-2012

Part List

F20SEA_0411 / BOTTOM COWLING

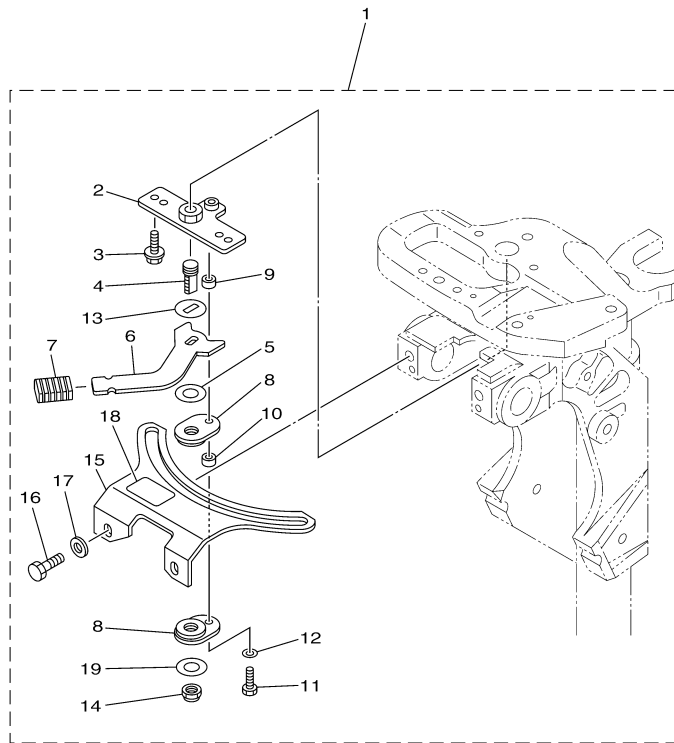
REF - NO	PART NUMBER	PART NAME	QUANTITY	REMARKS
1	6AH-42710-00-4D	BOTTOM COWLING ASSY	1	
2	68F-85119-00-00	BOLT	4	
3	90480-21M82-00	GROMMET	4	
4	90387-06176-00	COLLAR	4	
5	6AH-42716-00-00	RUBBER, SEAL 1	1	
6	6AH-42738-00-4D	PLATE, FITTING	1	
7	6AH-42718-00-00	RUBBER, SEAL 3	1	
8	90109-06M82-00	BOLT	2	
9	6AH-42725-20-00	GROMMET	1	
10	6AH-42724-10-00	GROMMET	1	
11	6AH-42801-00-00	COWLING CLAMP COMP.	1	
12	97095-06012-00	BOLT	1	
13	92995-06600-00	WASHER	1	
14	6BL-44391-00-00	NIPPLE, HOSE	1	
15	6AH-26326-10-00	GROMMET	1	
17	6AH-42727-00-00	GROMMET	1	
18	65W-42726-10-00	.GROMMET	1	
19	90480-16007-00	GROMMET	1	
20	6AH-42726-00-00	GROMMET	1	
21	6AH-24314-01-00	PIPE 4	1	
22	90465-11M10-00	CLAMP	2	
23	68T-12572-00-00	ADAPTER	1	
24	6R3-12581-00-00	JOINT, HOSE 1	1	
25	6R3-12582-00-00	JOINT, HOSE 2	1	
26	6R3-12583-00-00	GASKET, HOSE JOINT	1	
28	90167-06002-00	SCREW, TAPPING	2	
32	65W-42717-00-00	RUBBER, SEAL 2	2	
33	6AH-42743-00-00	BRACKET	1	
34	90109-06M86-00	BOLT	1	
35	6AH-42761-00-00	STOPPER	1	
36	6AH-42762-00-00	STOPPER	1	
37	97075-06012-00	BOLT	4	
38	92995-06600-00	WASHER	4	
39	6AH-42741-00-00	APRON	1	
40	97885-06030-00	SCREW, PAN HEAD	2	
41	92995-06100-00	WASHER, SPRING	2	
42	92995-06600-00	WASHER	2	
43	95380-06600-00	NUT, HEXAGON	2	
44	6AH-42717-00-00	RUBBER, SEAL 2	1	
45	6AH-15774-00-00	STAY 4	1	
46	90109-06M86-00	BOLT	1	
47	90465-08M82-00	CLAMP	1	
48	6AH-42794-40-00	LABEL, WARNING (GENERAL)	1	
49	90445-15003-00	HOSE (L230)	1	UR 6AHK:1034060-

F20SEA_0411 / STEERING



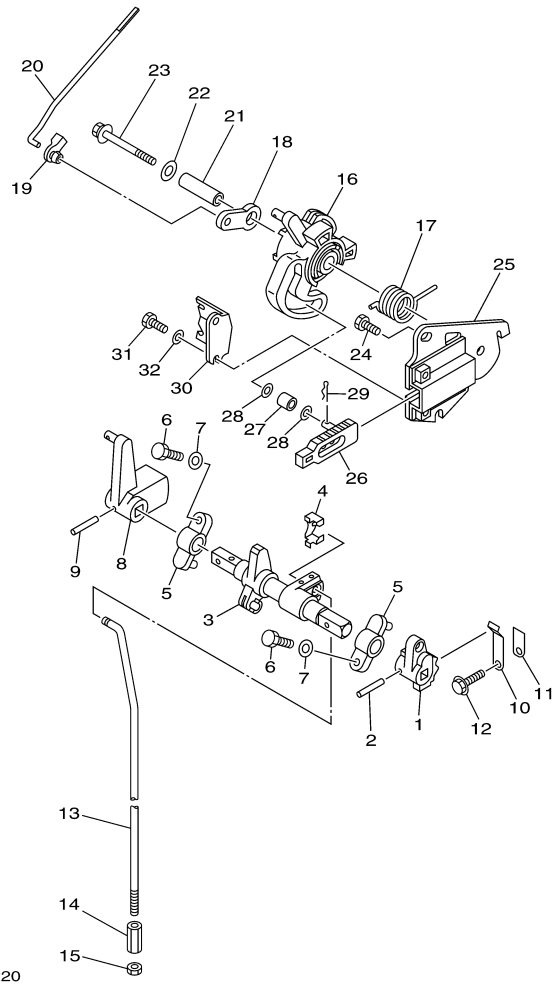
©2014 Yamaha Motor Corporation, U.S.A. All rights reserved.

F20SEA_0411 / STEERING FRICTION



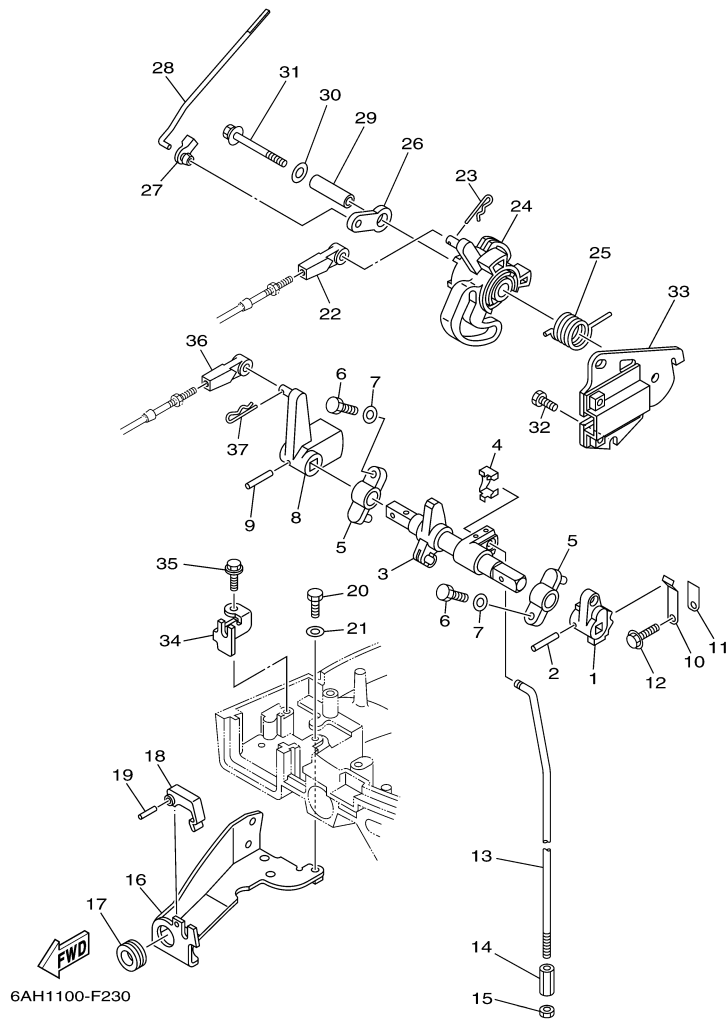
6AU5110-L180

F20SEA_0411 / CONTROL 1



©2014 Yamaha Motor Corporation, U.S.A. All rights reserved.

F20SEA_0411 / CONTROL 2



©2014 Yamaha Motor Corporation, U.S.A. All rights reserved.



Part List

F20SEA_0411 / CONTROL 2

REF - NO	PART NUMBER	PART NAME	QUANTITY	REMARKS
1	6AH-44123-00-00	ARM, SHIFT ROD	1	
2	90254-03M05-00	PIN, SPRING	1	
3	6AH-44121-00-00	LEVER, SHIFT ROD	1	
4	6AH-26364-00-00	END, CABLE 2	1	
5	6G1-41662-01-94	BRACKET 2	2	
6	97095-06020-00	BOLT	2	
7	92995-06600-00	WASHER	2	
8	6AH-44125-00-00	LEVER, SHIFT ROD	1	
9	90254-03M05-00	PIN, SPRING	1	
10	65W-44116-00-00	SPRING	1	
11	66R-44114-00-00	STOPPER	1	
12	95895-06014-00	BOLT, FLANGE	1	
13	6AH-44143-00-00	ROD, SHIFT	1	S(17.1")
14	90170-06015-00	NUT	1	
15	95380-06700-00	NUT	1	
16	6AH-48532-00-00	BRACKET, REMOTE CONTROL 2	1	
17	90480-19031-00	GROMMET	1	
18	682-48538-50-00	.CLAMP, CABLE 1	1	
19	91690-30012-00	.PIN, SPRING	1	
20	97095-06014-00	BOLT	2	
21	92995-06600-00	WASHER	2	
22	663-48344-00-00	.CABLE END, REMOTE CONTROL	1	
23	90468-18008-00	CLIP	1	
24	6AH-41638-00-00	PULLEY	1	
25	90508-20M44-00	SPRING, TORSION	1	
26	65W-41283-00-00	.LEVER, FREE ACCEL.	1	
27	6J8-41262-00-00	JOINT, CHOKE LEVER	1	
28	6AH-41211-00-00	LINK, ACCEL.	1	
29	90387-06139-00	.COLLAR	1	
30	90201-06M31-00	.WASHER, PLATE	1	
31	97595-06555-00	BOLT, WITH WASHER	1	
32	97095-06014-00	BOLT	2	
33	6AH-14571-00-00	BRACKET, THROTTLE	1	
34	6AH-48531-00-00	BRACKET, REMOTE CONTROL 1	1	
35	90109-06M86-00	BOLT	1	
36	663-48344-00-00	.CABLE END, REMOTE CONTROL	1	
37	90468-18008-00	CLIP	1	

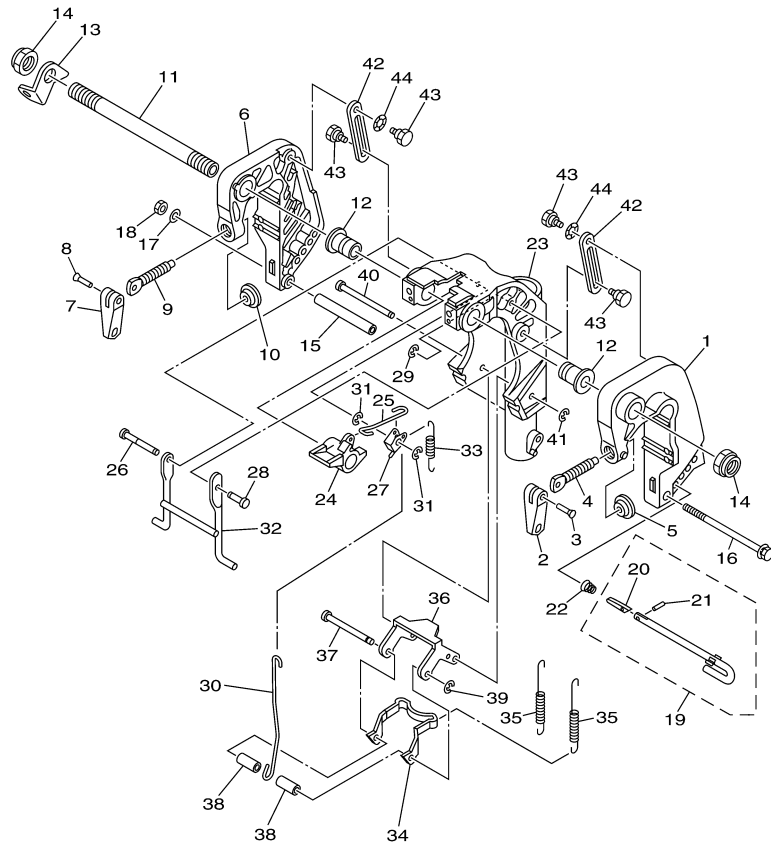
Part Notes

F20SEA_0411 / CONTROL 2

PART NUMBER	NOTE TEXT
90468-18008-00 	OEM: This part number is among the Top 100 Most Popular Marine Maintenance Parts as of March 2014.
90468-18008-00 	OEM: This part number is among the Top 100 Most Popular Marine Maintenance Parts as of March 2014.

©2014 Yamaha Motor Corporation, U.S.A. All rights reserved.

F20SEA_0411 / BRACKET 1



6AH1300-F230

©2014 Yamaha Motor Corporation, U.S.A. All rights reserved.


Part List

F20SEA_0411 / BRACKET 1

REF - NO	PART NUMBER	PART NAME	QUANTITY	REMARKS
1	6AH-43111-00-4D	BRACKET, CLAMP 1	1	
2	6E0-43118-01-00	HANDLE, TRANSOM CLAMP	1	
3	90243-04M01-00	PIN	1	
4	6E7-43116-00-00	SCREW, TRANSOM CLAMP	1	
5	648-43114-01-00	PAD, TRANSOM CLAMP	1	
6	6AH-43112-00-4D	BRACKET, CLAMP 2	1	
7	6E0-43118-01-00	HANDLE, TRANSOM CLAMP	1	
8	90243-04M01-00	PIN	1	
9	6E7-43116-00-00	SCREW, TRANSOM CLAMP	1	
10	648-43114-01-00	PAD, TRANSOM CLAMP	1	
11	69A-43131-00-00	BOLT, CLAMP BRACKET	1	FOR REMOTE CONTROL
12	90386-22MA4-00	BUSH	2	
13	66R-43113-00-00	PLATE, CLAMP BRACKET	1	
14	90185-22043-00	NUT, SELF-LOCKING	2	
15	90387-06M13-00	COLLAR	1	
16	90101-06M18-00	BOLT	1	
17	92990-06600-00	WASHER, PLATE	1	
18	95380-06700-00	NUT	1	
19	6L2-43160-01-00	TILT ROD ASSY	1	
20	689-43165-00-00	.PLATE, TILT LOCK	1	
21	91690-30008-00	.PIN, SPRING	1	
22	90502-10M07-00	SPRING, CONICAL	1	
23	6AH-43311-00-4D	BRACKET, SWIVEL 1	1	S(17.1")
24	6AH-43631-00-00	LEVER, TILT	1	
25	6AH-43616-00-00	ROD, TILT LOCK	1	
26	6AH-43646-00-00	SHAFT, LEVER	1	
27	6AH-43641-00-00	LEVER, TILT	1	
28	6AH-43191-00-00	SHAFT, STOPPER	1	
29	99080-05600-00	CIRCLIP	1	
30	6AH-43617-00-00	ROD, TILT LOCK	1	
31	99080-05600-00	CIRCLIP	2	
32	6AH-43350-00-00	RECEIVER ASSY	1	
33	90506-18014-00	SPRING, TENSION	1	
34	6AH-43614-00-00	PLATE, TILT LOCK	1	
35	90506-20020-00	SPRING, TENSION	2	
36	6AH-43615-00-00	PLATE, TILT LOCK	1	
37	68T-43611-00-00	SHAFT, TILT LOCK	1	
38	90387-06138-00	COLLAR	2	
39	93430-04M03-00	CIRCLIP	1	
40	68T-43659-00-00	SHAFT, REVERSE LOCK	1	
41	99080-05600-00	CIRCLIP	1	
42	6AH-43627-00-00	STOPPER	2	
43	90109-06M84-00	BOLT	4	
44	90206-10M24-00	WASHER, WAVE	2	

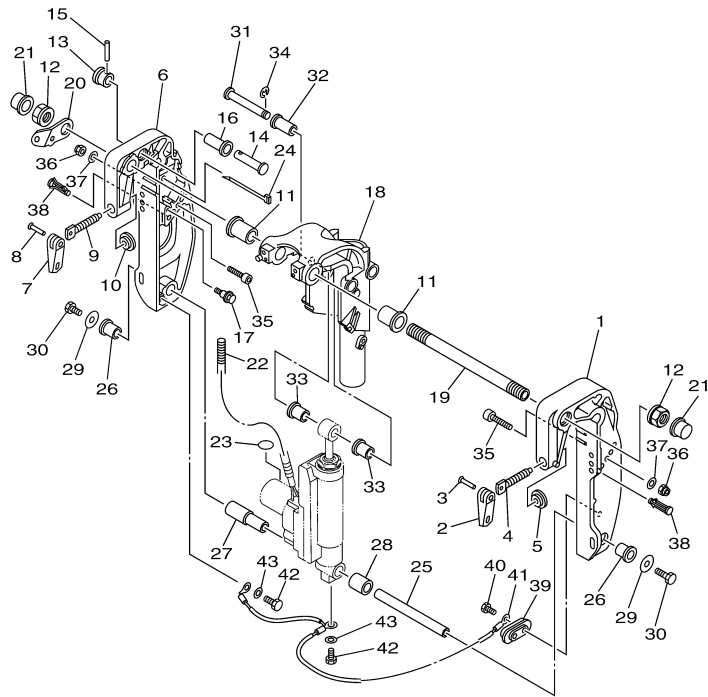
Part Notes

F20SEA_0411 / BRACKET 1

PART NUMBER	NOTE TEXT
92990-06600-00 	OEM: This part number is among the Top 100 Most Popular Marine Maintenance Parts as of March 2014.

©2014 Yamaha Motor Corporation, U.S.A. All rights reserved.

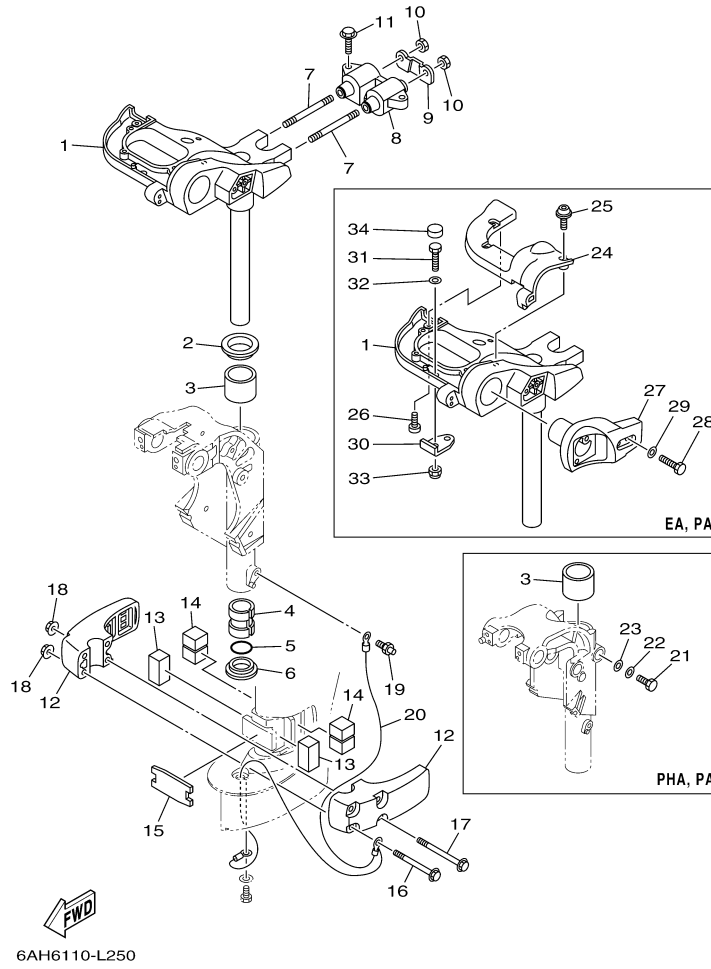
F20SEA_0411 / BRACKET 2



6AH1300-F240

©2014 Yamaha Motor Corporation, U.S.A. All rights reserved.

F20SEA_0411 / BRACKET 3



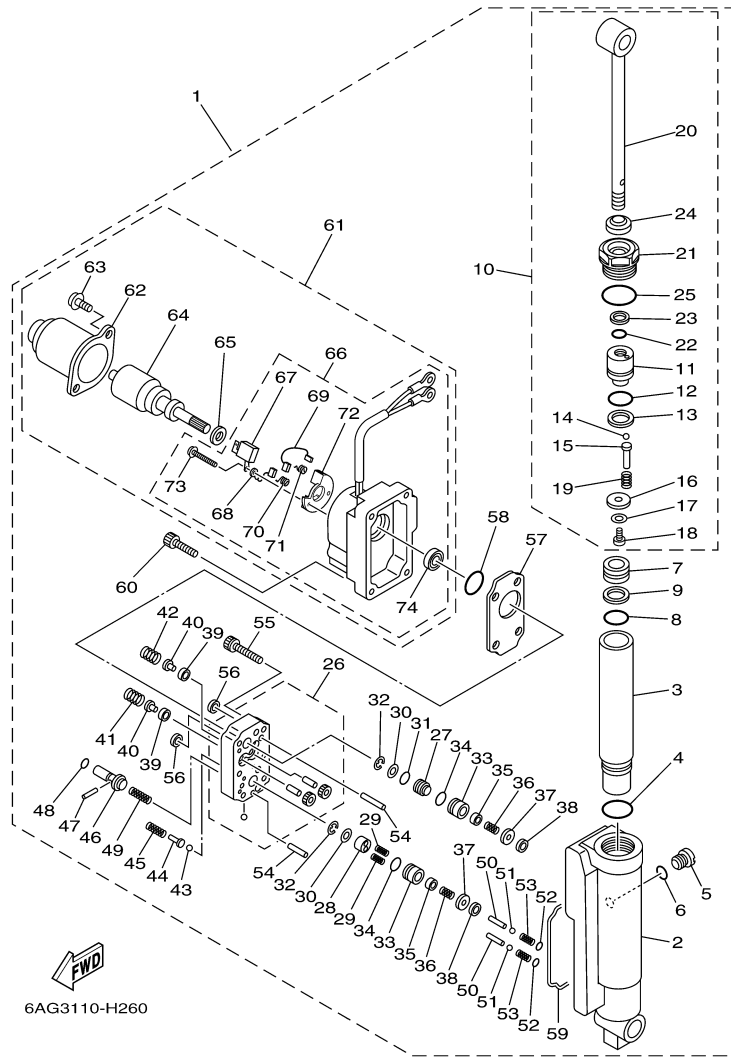
©2014 Yamaha Motor Corporation, U.S.A. All rights reserved.

Part List

F20SEA_0411 / BRACKET 3

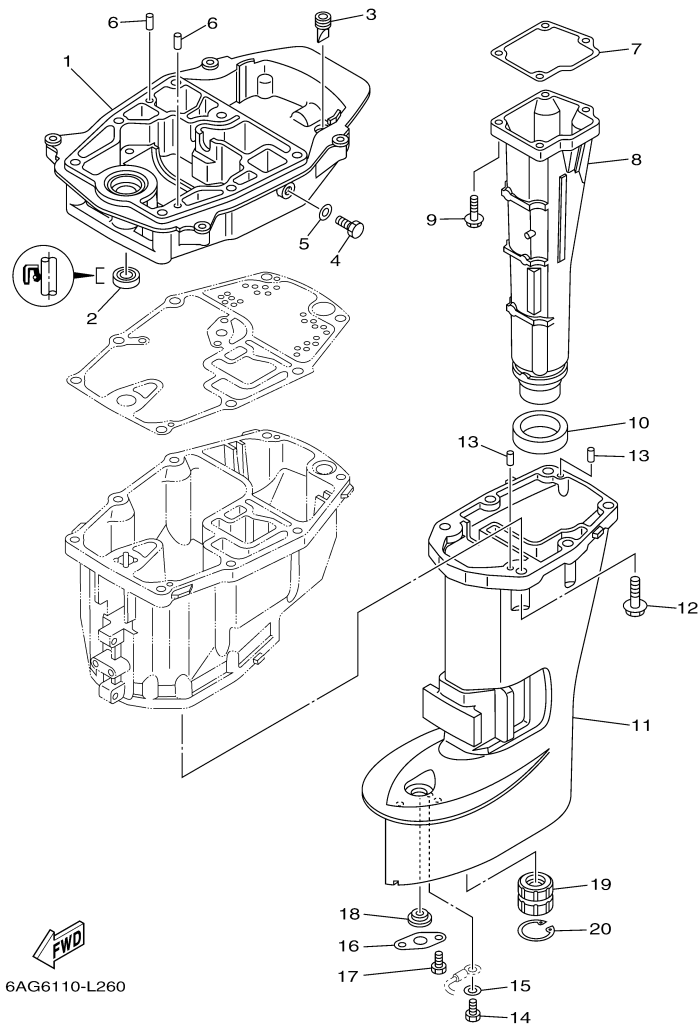
REF - NO	PART NUMBER	PART NAME	QUANTITY	REMARKS
1	6AH-42510-00-4D	STEERING BRACKET ASSY	1	S(17.1")
2	90209-40008-00	WASHER	1	
3	90386-40001-00	BUSH	1	
4	90386-30048-00	BUSH	1	
5	93210-29M94-00	O-RING	1	
6	90386-30M60-00	BUSH	1	
7	90116-10033-00	BOLT, STUD	2	
8	6AH-44514-00-00	MOUNT DAMPER, UPPER SIDE	1	
9	6AH-44526-00-00	PLATE	1	
10	95380-10600-00	NUT	2	
11	90119-08094-00	BOLT, WITH WASHER	2	
12	6AH-44551-00-4D	HOUSING, LOWER MOUNT RUBBER 1	2	
13	6AH-44557-00-00	MOUNT DAMPER, LOWER FRONT	2	
14	6AH-44555-00-00	MOUNT DAMPER, LOWER SIDE	2	
15	6AH-44574-00-00	STOPPER, LOWER MOUNT RUBBER	1	
16	90119-08M45-00	BOLT, WITH WASHER	2	
17	90119-08M46-00	BOLT, WITH WASHER	2	
18	90179-08M34-00	NUT	4	
19	93700-06M03-00	NIPPLE, GREASE	1	
20	6AH-82127-00-00	WIRE, LEAD 2	1	
24	6AH-42532-10-00	COVER	1	
25	90111-06072-00	BOLT,HEX. SOCKET BUTTON	4	
26	97780-60520-00	SCREW, TAPPING	1	
27	6AH-83773-00-00	BRACKET, SWITCH	1	
28	97095-06030-00	BOLT	2	
29	92995-06600-00	WASHER	2	
30	6AH-48511-00-00	HOOK, STEERING	1	
31	97095-08025-00	BOLT	1	
32	92995-08600-00	WASHER	1	
33	90185-08057-00	NUT, SELF-LOCKING	1	
34	6AH-44194-00-00	CAP	1	

F20SEA_0411 / POWER TILT ASSY



©2014 Yamaha Motor Corporation, U.S.A. All rights reserved.

F20SEA_0411 / UPPER CASING



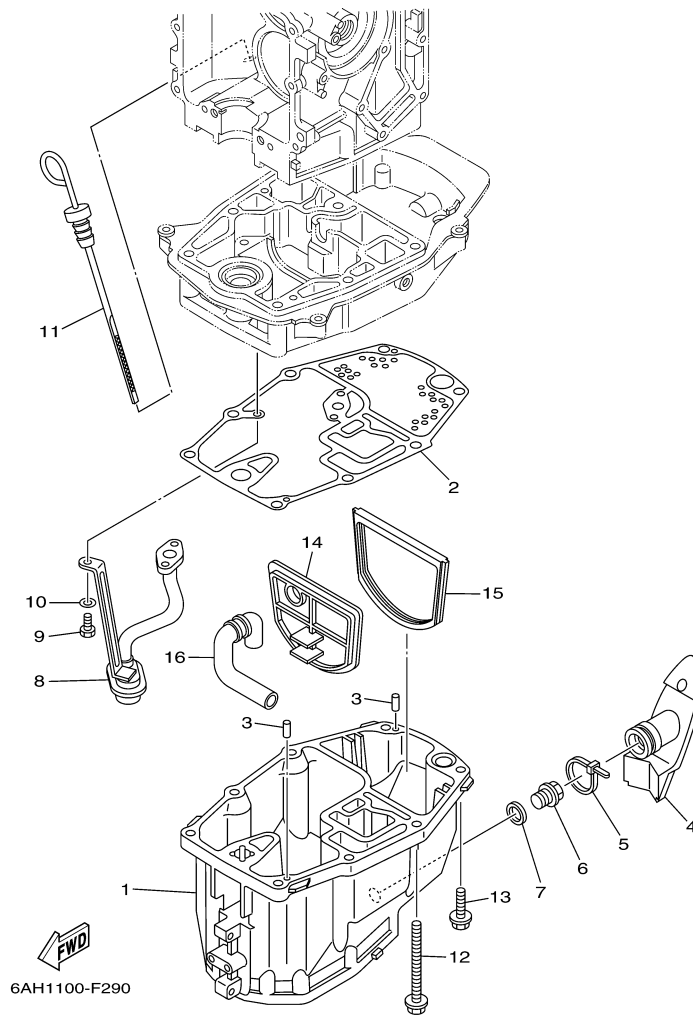
6AG6110-L260

Part List

F20SEA_0411 / UPPER CASING

REF - NO	PART NUMBER	PART NAME	QUANTITY	REMARKS
1	6AH-41137-00-CA	GUIDE, EXHAUST	1	
2	93101-12M63-00	.OIL SEAL	1	
3	65W-42717-00-00	RUBBER, SEAL 2	1	
4	97095-08014-00	BOLT	1	
5	90430-08143-00	GASKET	1	
6	93606-19M23-00	PIN, DOWEL	2	
7	6AH-41134-00-00	.GASKET, EXHAUST MANIFOLD	1	
8	6AH-14711-00-CA	MUFFLER 1	1	S(17.1")
9	97575-06525-00	BOLT, WITH WASHER	4	
10	6AH-41138-00-00	.SEAL, EXT. 1	1	
11	6AH-45111-00-4D	CASING, UPPER	1	S(17.1")
12	97575-08530-00	BOLT, WITH WASHER	6	
13	93604-12M07-00	PIN, DOWEL	2	
14	97095-05010-00	BOLT	1	
15	92995-05600-00	WASHER	1	
16	68T-45321-00-00	PLATE	1	
17	97095-06008-00	BOLT	1	
18	90480-14M54-00	GROMMET	1	

F20SEA_0411 / OIL PAN



©2014 Yamaha Motor Corporation, U.S.A. All rights reserved.


Part List

F20SEA_0411 / OIL PAN

REF - NO	PART NUMBER	PART NAME	QUANTITY	REMARKS
1	6AH-15311-00-CA	OIL PAN	1	
2	6AH-15312-00-00	.GASKET, OIL PAN	1	
3	93604-12M07-00	PIN, DOWEL	2	
4	6AH-15316-00-00	DAMPER 1	1	
5	90465-11M59-00	CLAMP	1	
6	90340-14M06-00	PLUG, STRAIGHT SCREW	1	
7	90430-14M09-00	.GASKET	1	
8	6AH-13411-00-00	STRAINER, OIL	1	
9	97013-06016-00	BOLT	3	
10	92903-06600-00	WASHER, PLATE	3	
11	6AH-15362-00-00	PLUG, OIL LEVEL	1	
12	90119-08103-00	BOLT, WITH WASHER	6	
13	97575-08530-00	BOLT, WITH WASHER	2	
14	6AH-45126-00-00	.PLATE, SEAL DAMPER	1	
15	6AH-45115-00-00	.GASKET, UPPER CASING	1	
16	6AH-45135-00-00	PIPE	1	

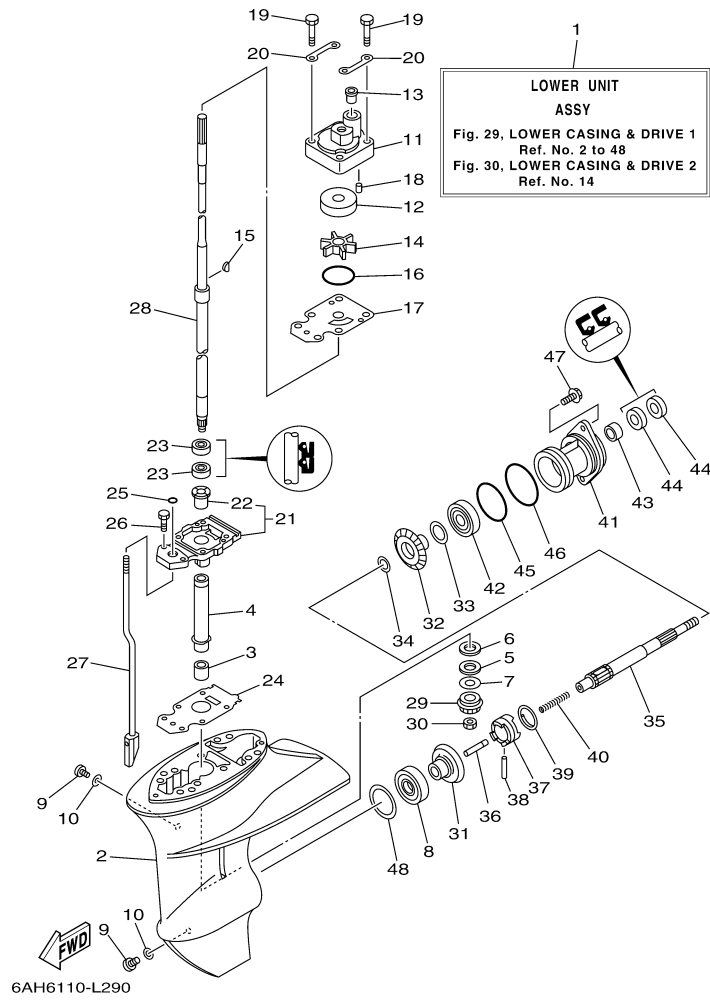
Part Notes

F20SEA_0411 / OIL PAN

PART NUMBER	NOTE TEXT
90430-14M09-00 	OEM: This part number is among the Top 100 Most Popular Marine Maintenance Parts as of March 2014.

©2014 Yamaha Motor Corporation, U.S.A. All rights reserved.

F20SEA_0411 / LOWER CASING DRIVE 1



©2014 Yamaha Motor Corporation, U.S.A. All rights reserved.


Part List

F20SEA_0411 / LOWER CASING DRIVE 1

REF - NO	PART NUMBER	PART NAME	QUANTITY	REMARKS
1	6AH-45300-00-4D	LOWER UNIT ASSY	1	S(17.1")
2	6AH-45311-00-4D	CASING, LOWER	1	
3	93315-314V8-00	BEARING	1	
4	63V-45536-00-00	SLEEVE, DRIVE SHAFT	1	
5	90209-14011-00	WASHER	1	
6	90201-15017-00	WASHER, PLATE	1	
7	6E8-45587-30-00	SHIM (T:1.20MM)	1	UR
7	6E8-45587-10-00	SHIM (T:1.13MM)	1	UR
8	93332-00005-00	BEARING	1	
9	90340-08002-00	PLUG, STRAIGHT SCREW	2	
10	90430-08020-00	.GASKET	2	
11	6AH-44311-00-00	.HOUSING, WATER PUMP	1	
12	63V-44322-00-00	.INSERT, CARTRIDGE	1	
13	6L2-44367-00-00	.DAMPER, WATER SEAL 3	1	
14	63V-44352-01-00	.IMPELLER	1	
15	664-44338-00-00	.KEY, WOODRUFF	1	
16	93210-49046-00	.O-RING	1	
17	68T-44323-00-00	.OUTER PLATE, CARTRIDGE	1	
18	93604-12M07-00	PIN, DOWEL	2	
19	97095-08045-00	.BOLT	4	
20	63V-44328-01-00	PLATE	2	
21	69G-45331-01-CA	HOUSING, BEARING	1	
22	626-45316-09-00	.BUSHING, DRIVE SHAFT	1	
23	93101-20001-00	.OIL SEAL	2	
24	69G-45315-A0-00	.PACKING, LOWER CASING	1	
25	93210-06ME6-00	.O-RING	1	
26	97080-08025-00	BOLT	2	
27	6AH-44150-00-00	SHIFT CAM ASSY	1	S(17.1")
28	6AH-45510-00-00	DRIVE SHAFT ASSY	1	S(17.1")
29	63V-45551-00-00	PINION (13T)	1	
30	90179-08M06-00	NUT	1	
31	6E7-45560-01-00	GEAR 1 (27T)	1	
32	6E7-45571-00-00	GEAR 2 (27T)	1	
33	626-45577-00-00	SHIM (T:0.10MM)	1	UR
33	626-45577-10-00	SHIM (T:0.20MM)	1	UR
33	626-45577-40-00	SHIM (T:0.50MM)	1	UR
33	626-45577-30-00	SHIM (T:0.40MM)	1	UR
33	626-45577-20-00	SHIM (T:0.30MM)	1	UR
34	90201-17682-00	WASHER, PLATE	1	
35	683-45611-00-00	SHAFT, PROPELLER	1	
36	650-45635-00-00	PLUNGER, SHIFT	1	
37	682-45631-00-00	CLUTCH, DOG	1	
38	90250-05010-00	PIN, STRAIGHT	1	
39	648-45633-00-00	RING, CROSS PIN	1	
40	90501-150A0-00	SPRING, COMPRESSION	1	
41	683-45361-02-4D	CAP, LOWER CASING	1	
42	93306-00501-00	BEARING	1	
43	93315-317U2-00	BEARING	1	
44	93101-17054-00	.OIL SEAL	2	
45	93210-57M09-00	.O-RING	1	
46	93210-56M80-00	.O-RING	1	
47	97575-06520-00	BOLT, WITH WASHER	2	
48	664-45567-01-00	SHIM (T:0.10MM)	1	UR
48	664-45567-10-00	SHIM (T:0.12MM)	1	UR
48	664-45567-20-00	SHIM (T:0.15MM)	1	UR
48	664-45567-60-00	SHIM (T:0.50MM)	1	UR
48	664-45567-40-00	SHIM (T:0.30MM)	1	UR
48	664-45567-50-00	SHIM (T:0.40MM)	1	UR
48	664-45567-30-00	SHIM (T:0.18MM)	1	UR

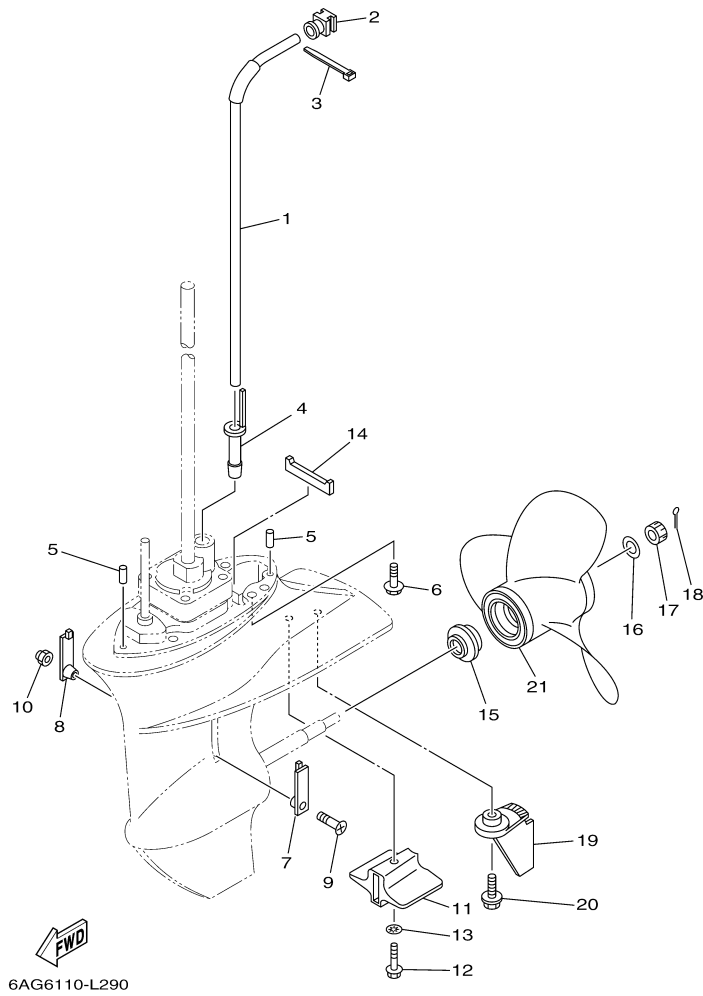
Part Notes

F20SEA_0411 / LOWER CASING DRIVE 1

PART NUMBER		NOTE TEXT
90430-08020-00		OEM: This part number is among the Top 100 Most Popular Marine Maintenance Parts as of March 2014.

©2014 Yamaha Motor Corporation, U.S.A. All rights reserved.

F20SEA_0411 / LOWER CASING DRIVE 2



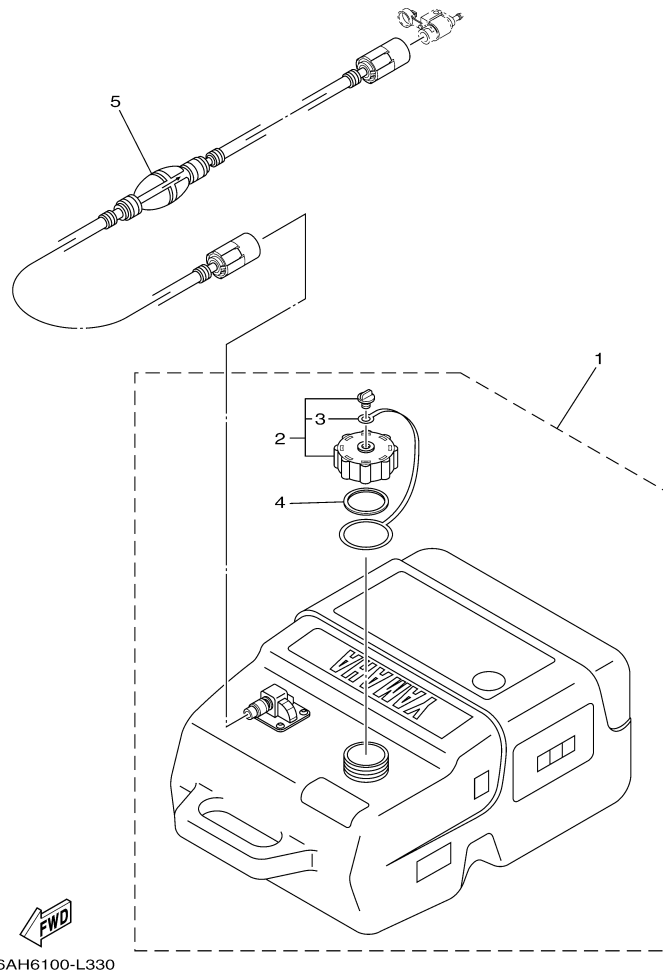
©2014 Yamaha Motor Corporation, U.S.A. All rights reserved.

Part List

F20SEA_0411 / LOWER CASING DRIVE 2

REF - NO	PART NUMBER	PART NAME	QUANTITY	REMARKS
1	6AH-44361-01-00	TUBE, WATER 1	1	S(17.1")
2	6AH-44365-00-00	.DAMPER, WATER SEAL 1	1	
3	90465-11M10-00	CLAMP	1	
4	6AH-44368-00-00	.RUBBER, WATER SEAL 4	1	
5	93604-12M07-00	PIN, DOWEL	2	
6	97575-08530-00	BOLT, WITH WASHER	4	
7	6G1-45214-00-00	COVER, WATER INLET 1	1	
8	63V-45215-00-00	COVER, WATER INLET 2	1	
9	90152-05011-00	SCREW, COUNTERSUNK	1	
10	90185-05002-00	NUT, NYLON	1	
11	6AH-45251-00-00	ANODE	1	
12	95895-06035-00	BOLT, FLANGE	1	
13	92990-06300-00	WASHER, INTERNAL TOOTH	1	
14	63V-45375-00-00	DAMPER, SEAL	1	
15	6E7-45987-01-00	SPACER 1	1	
16	90201-10M01-00	WASHER, PLATE	1	
17	90171-10M01-00	NUT, CASTLE	1	
18	91490-30020-00	PIN. COTTER	1	
19	6AH-45371-00-4D	TAB-TRIM	1	
20	90119-06M88-00	BOLT, WITH WASHER	1	
21	63V-45941-10-00	PROPELLER (3X9-1/4"X12"-J1)	1	UR
21	63V-45943-10-00	PROPELLER (3X9-1/4"X11"-J1)	1	UR
21	63V-45945-10-00	PROPELLER (3X9-1/4"X9"-J1)	1	UR
21	683-45952-00-00	PROPELLER (3X9-1/4"X9-3/4"-J)	1	UR
21	683-45941-00-00	PROPELLER (3X9-1/4"X12"-J)	1	UR
21	683-45943-00-00	PROPELLER (3X9-1/4"X10-1/2"-J)	1	UR
21	63V-45952-10-00	PROPELLER (3X9-1/4"X10"-J1)	1	UR

F20SEA_0411 / FUEL TANK



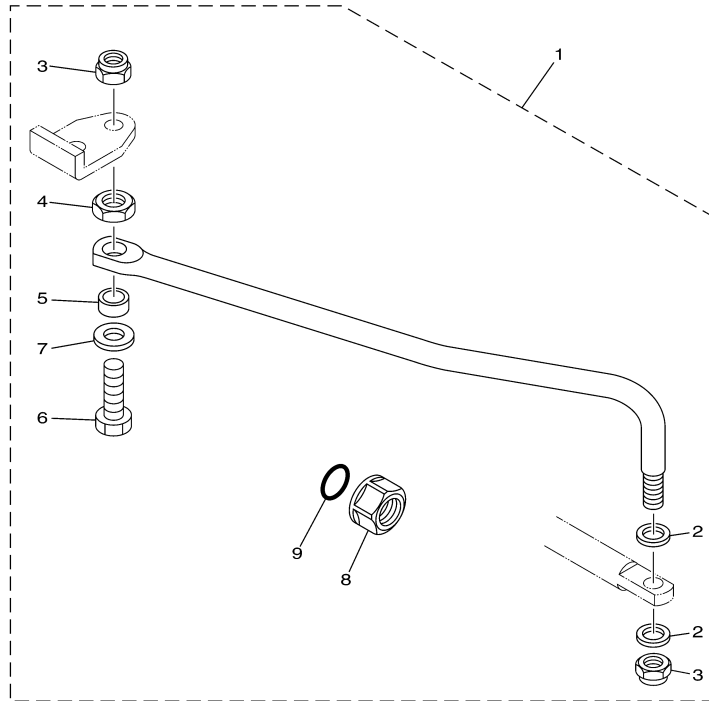
6AH6100-L330

Part List

F20SEA_0411 / FUEL TANK

REF - NO	PART NUMBER	PART NAME	QUANTITY	REMARKS
1	6YK-24201-40-00	FUEL TANK ASSY (25L)	1	AP
2	6YL-24610-10-00	.CAP ASSY	1	
3	6YL-24641-10-00	..GASKET, CAP 1	1	
4	6YL-24629-00-00	.RING	1	
5	6YK-24306-70-00	FUEL PIPE COMP. 1	1	AP

F20SEA_0411 / STEERING GUIDE



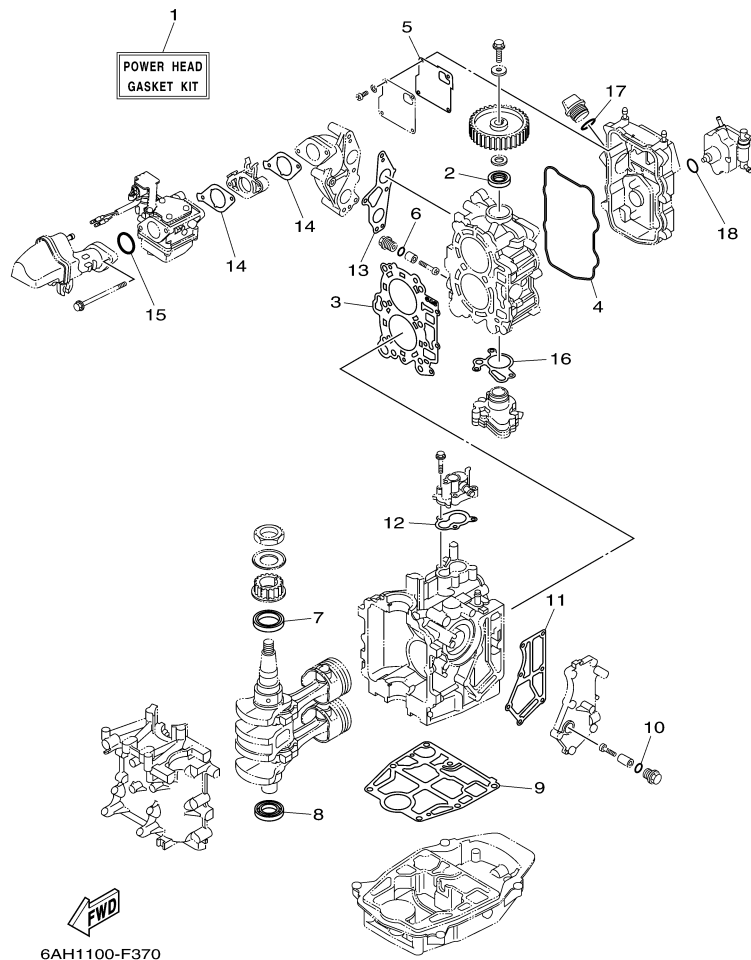
6AH1100-F341

Part List

F20SEA_0411 / STEERING GUIDE

REF - NO	PART NUMBER	PART NAME	QUANTITY	REMARKS
1	6AH-61350-00-00	STEERING GUIDE ATTACHMENT KIT	1	AP
2	90201-10M20-00	.WASHER, PLATE	2	
3	90185-09M01-00	.NUT, SELF-LOCKING	2	
4	90170-09M03-00	.NUT	1	
5	90387-10M42-00	.COLLAR	1	
6	6E5-61355-00-00	.BOLT	1	
7	90201-10M63-00	.WASHER, PLATE	1	
8	6E5-43145-01-00	.CAP, CLAMP BRACKET	1	
9	93210-16275-00	.O-RING	1	

F20SEA_0411 / REPAIR KIT 1



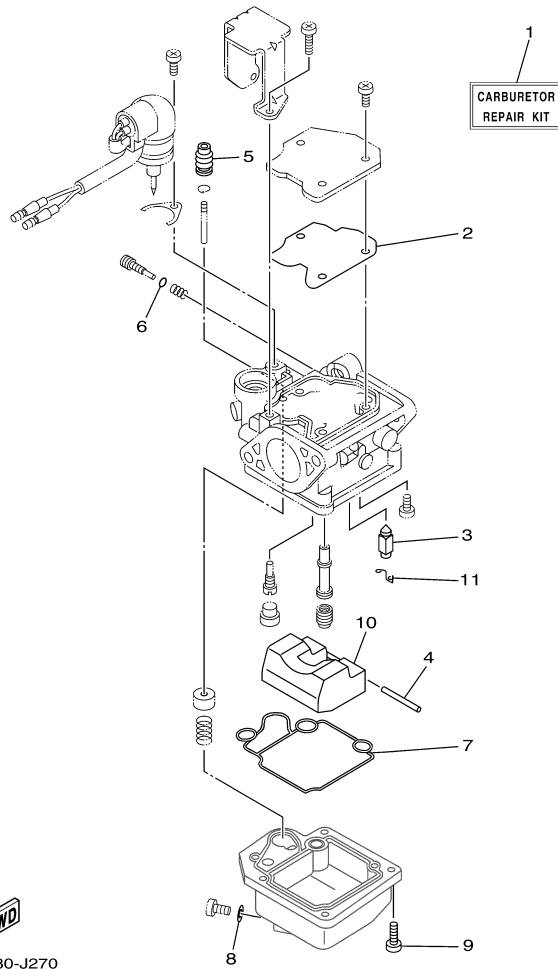
©2014 Yamaha Motor Corporation, U.S.A. All rights reserved.

Part List

F20SEA_0411 / REPAIR KIT 1

REF - NO	PART NUMBER	PART NAME	QUANTITY	REMARKS
1	6AG-W0001-00-00	POWER HEAD GASKET KIT	1	
2	93102-22009-00	.OIL SEAL	1	
3	6AG-11181-00-00	.GASKET, CYLINDER HEAD 1	1	
4	6AH-11356-00-00	.SEAL, CYLINDER 2	1	
5	6AH-11169-00-00	.GASKET, BREATHER COVER	1	
6	93210-13M63-00	.O-RING	2	
7	93102-37004-00	.OIL SEAL	1	
8	93102-25014-00	.OIL SEAL	1	
9	6AH-11351-00-00	.GASKET, CYLINDER	1	
10	93210-13M63-00	.O-RING	1	
11	6AH-41114-00-00	.GASKET, EXHAUST OUTER COVER	1	
12	6AH-12414-00-00	.GASKET, COVER	1	
13	6AH-13645-00-00	.GASKET, MANIFOLD 1	1	
14	6AH-13646-00-00	.GASKET, MANIFOLD 2	2	
15	93210-35M86-00	.O-RING	1	
16	6AH-13329-00-00	.GASKET, PUMP COVER	1	
17	93210-24M79-00	.O-RING	1	
18	93210-20M65-00	.O-RING	1	

F20SEA_0411 / REPAIR KIT 2



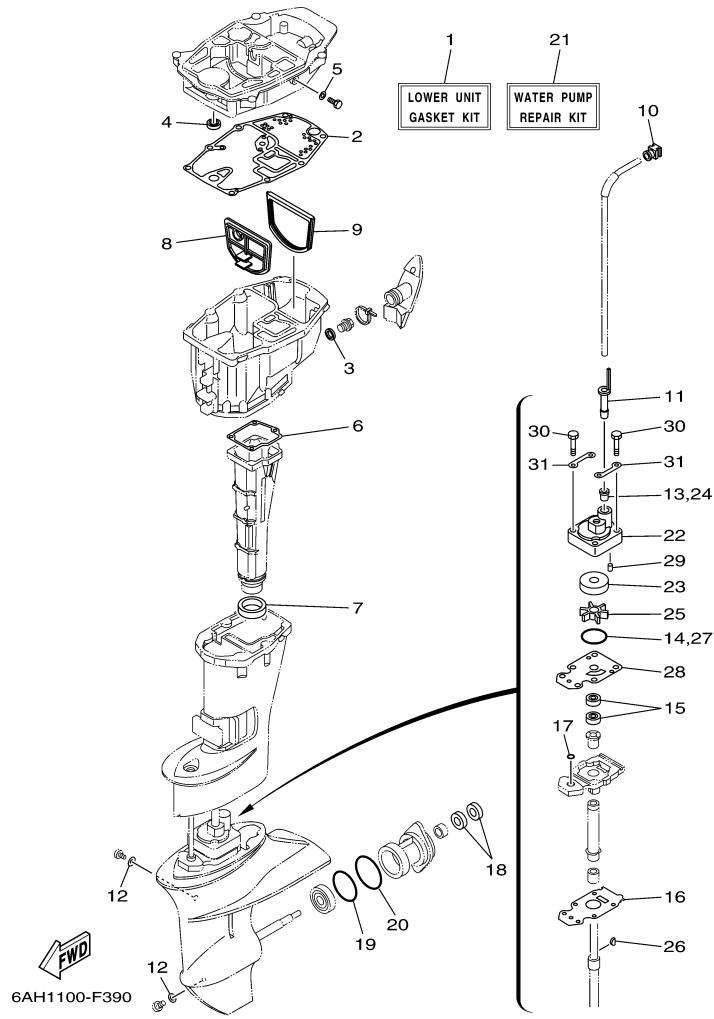
6BY2280-J270
Rev. 3-20-2012

Part List

F20SEA_0411 / REPAIR KIT 2

REF - NO	PART NUMBER	PART NAME	QUANTITY	REMARKS
1	6AH-W0093-01-00	CARBURETOR REPAIR KIT	1	
2	65W-14126-10-00	.GASKET	1	
3	6AH-14546-00-00	.VALVE, NEEDLE	1	
4	6H4-14548-00-00	.PIN, FLOAT ARM	1	
5	65W-14373-02-00	.COVER, PLUNGER CAP	1	
6	67C-14397-00-00	.O-RING	1	
7	6AH-14384-00-00	.GASKET, FLOAT CHAMBER	1	
8	65W-14398-00-00	.GASKET	1	
9	97980-04114-00	.SCREW, WITH WASHER	4	
10	6AH-14985-00-00	.FLOAT	1	
11	663-14159-00-00	.CLIP	1	

F20SEA_0411 / REPAIR KIT 3



©2014 Yamaha Motor Corporation, U.S.A. All rights reserved.



Part List

F20SEA_0411 / REPAIR KIT 3

REF - NO	PART NUMBER	PART NAME	QUANTITY	REMARKS
1	6AH-W0001-20-00	LOWER UNIT GASKET KIT	1	
2	6AH-15312-00-00	.GASKET, OIL PAN	1	
3	90430-14M09-00	.GASKET	1	
4	93101-12M63-00	.OIL SEAL	1	
5	90430-08143-00	.GASKET	1	
6	6AH-41134-00-00	.GASKET, EXHAUST MANIFOLD	1	
7	6AH-41138-00-00	.SEAL, EXT 1	1	
8	6AH-45126-00-00	.PLATE, SEAL DAMPER	1	
9	6AH-45115-00-00	.GASKET, UPPER CASING	1	
10	6AH-44365-00-00	.DAMPER, WATER SEAL 1	1	
11	6AH-44368-00-00	.RUBBER, WATER SEAL 4	1	
12	90430-08020-00	.GASKET	2	
13	6L2-44367-00-00	.DAMPER, WATER SEAL 3	1	
14	93210-49046-00	.O-RING	1	
15	93101-20001-00	.OIL SEAL	2	
16	69G-45315-A0-00	.PACKING, LOWER CASING	1	
17	93210-06ME6-00	.O-RING	1	
18	93101-17054-00	.OIL SEAL	2	
19	93210-57M09-00	.O-RING	1	
20	93210-56M80-00	.O-RING	1	
21	6AH-W0078-00-00	WATER PUMP REPAIR KIT	1	
22	6AH-44311-00-00	.HOUSING, WATER PUMP	1	
23	63V-44322-00-00	.INSERT, CARTRIDGE	1	
24	6L2-44367-00-00	.DAMPER, WATER SEAL 3	1	
25	63V-44352-01-00	.IMPELLER	1	
26	664-44338-00-00	.KEY, WOODRUFF	1	
27	93210-49046-00	.O-RING	1	
28	68T-44323-00-00	.OUTER PLATE, CARTRIDGE	1	
29	93604-12M07-00	.PIN, DOWEL	2	
30	97095-08045-00	.BOLT	4	
31	63V-44328-01-00	.PLATE	2	

Part Notes

F20SEA_0411 / REPAIR KIT 3

PART NUMBER		NOTE TEXT
90430-14M09-00		OEM: This part number is among the Top 100 Most Popular Marine Maintenance Parts as of March 2014.
90430-08020-00		OEM: This part number is among the Top 100 Most Popular Marine Maintenance Parts as of March 2014.

©2014 Yamaha Motor Corporation, U.S.A. All rights reserved.

©2014 Yamaha Motor Corporation, U.S.A. All rights reserved.