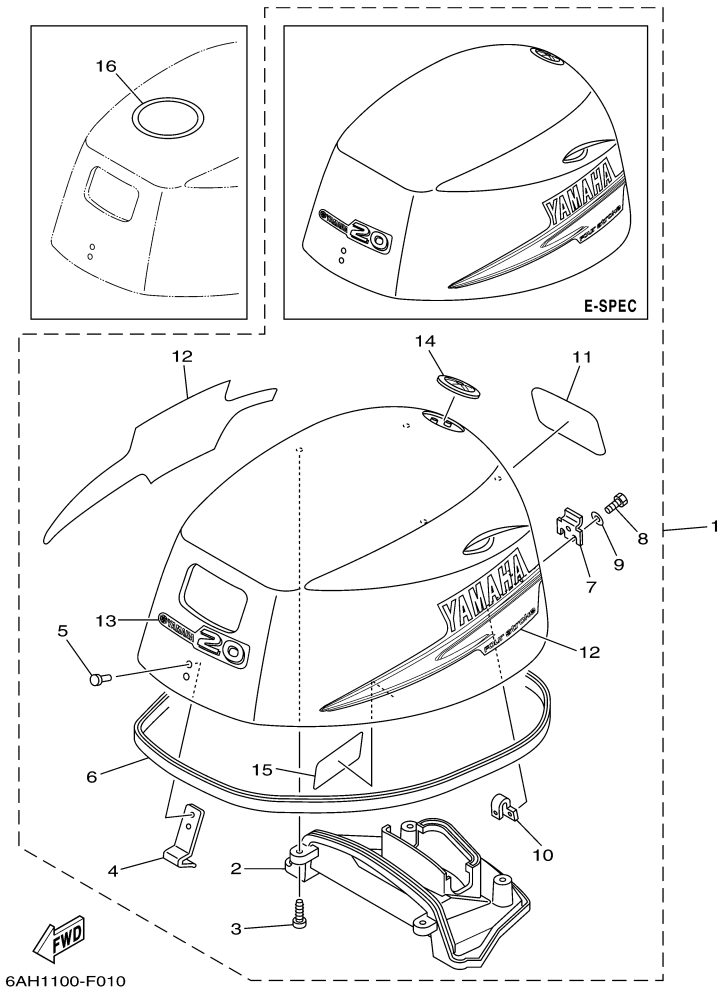


F20MLH 0409 / TOP COWLING



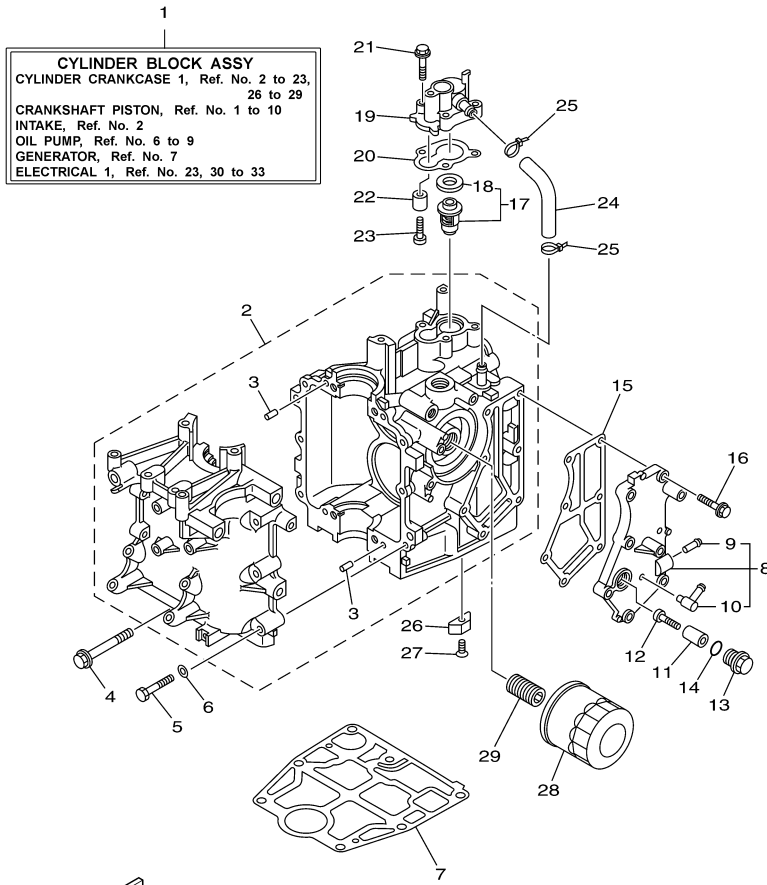
©2014 Yamaha Motor Corporation, U.S.A. All rights reserved.

Part List

F20MLH 0409 / TOP COWLING

| REF - NO | PART NUMBER | PART NAME | QUANTITY | REMARKS |
|----------------|-----------------|---------------------|----------|---------|
| 1 | 6AH-42610-01-4D | TOP COWLING ASSY | 1 | |
| 2 | 6AH-42613-00-00 | .MOLDING, AIR DUCT | 1 | |
| 3 | 97780-50616-00 | .SCREW, TAPPING | 4 | |
| 4 | 6AH-42651-00-00 | .HOOK | 1 | |
| 5 | 90266-06M02-00 | .RIVET | 2 | |
| 6 | 6AH-42615-00-00 | .SEAL | 1 | |
| 7 | 60R-42652-00-00 | .HOOK | 1 | |
| 8 | 97095-05014-00 | .BOLT | 2 | |
| 9 | 92995-05600-00 | .WASHER | 2 | |
| 10 | 6AH-42649-00-00 | .HOLDER, CLAMP BAND | 1 | |
| 11 | 6AH-42678-00-00 | .GRAPHIC, REAR | 1 | |
| 12 | 6AH-W0070-00-00 | .GRAPHIC SET | 1 | |
| 13 | 65W-42677-10-00 | .GRAPHIC, FRONT | 1 | |
| 14 | 6AH-42697-01-00 | .TUNING FORK MARK | 1 | |
| 15 | 6AH-42735-00-00 | .PROTECTOR | 1 | |
| 16 | 67F-13434-10-00 | LABEL, CAUTION | 1 | |

F20MLH 0409 / CYLINDER CRANKCASE 1



6AH1100-F020

Part List

F20MLH 0409 / CYLINDER CRANKCASE 1

| REF - NO | PART NUMBER | PART NAME | QUANTITY | REMARKS |
|----------------|-----------------|---------------------------------|----------|---------|
| 1 | 6AH-W009B-00-1S | CYLINDER BLOCK ASSY | 1 | |
| 2 | 6AH-15100-00-1S | CRANKCASE ASSY | 1 | |
| 3 | 93606-12019-00 | .PIN, DOWEL | 4 | |
| 4 | 90119-08093-00 | BOLT, WITH WASHER | 4 | |
| 5 | 97013-06040-00 | BOLT | 6 | |
| 6 | 92903-06600-00 | WASHER, PLATE | 6 | |
| 7 | 6AH-11351-00-00 | .GASKET, CYLINDER | 1 | |
| 8 | 6AH-41113-00-1S | OUTER COVER, EXHAUST | 1 | |
| 9 | 650-24378-00-00 | .PIPE, JOINT 4 | 1 | |
| 10 | 676-11372-00-00 | .NIPPLE, HOSE | 1 | |
| 11 | 6G8-11325-00-00 | ANODE | 1 | |
| 12 | 97880-05025-00 | SCREW, PAN HEAD | 1 | |
| 13 | 6G8-11197-01-00 | PLUG, BLIND | 1 | |
| 14 | 93210-13M63-00 | .O-RING | 1 | |
| 15 | 6AH-41114-00-00 | .GASKET, EXHAUST OUTER COVER | 1 | |
| 16 | 90119-06MA3-00 | BOLT, WITH WASHER | 7 | |
| 17 | 6AH-12411-00-00 | THERMOSTAT | 1 | |
| 18 | 688-12412-00-00 | .SEAL, THERMOSTAT | 1 | |
| 19 | 6AH-12413-00-1S | COVER, THERMOSTAT | 1 | |
| 20 | 6AH-12414-00-00 | .GASKET, COVER | 1 | |
| 21 | 90119-06MA3-00 | BOLT, WITH WASHER | 3 | |
| 22 | 6G8-11325-00-00 | ANODE | 1 | |
| 23 | 97880-05025-00 | SCREW, PAN HEAD | 1 | |
| 24 | 6AH-12481-00-00 | PIPE 1 | 1 | |
| 25 | 90465-11M10-00 | CLAMP | 2 | |
| 26 | 6E5-11325-00-00 | ANODE | 1 | |
| 27 | 98780-04016-00 | SCREW, FLAT HEAD | 1 | |
| 28 | 5GH-13440-20-00 | ELEMENT ASSY, OIL CLEANER | 1 | |
| 29 | 6C5-12858-00-00 | BOLT, UNION | 1 | |

F20MLH 0409 / CRANKSHAFT PISTON



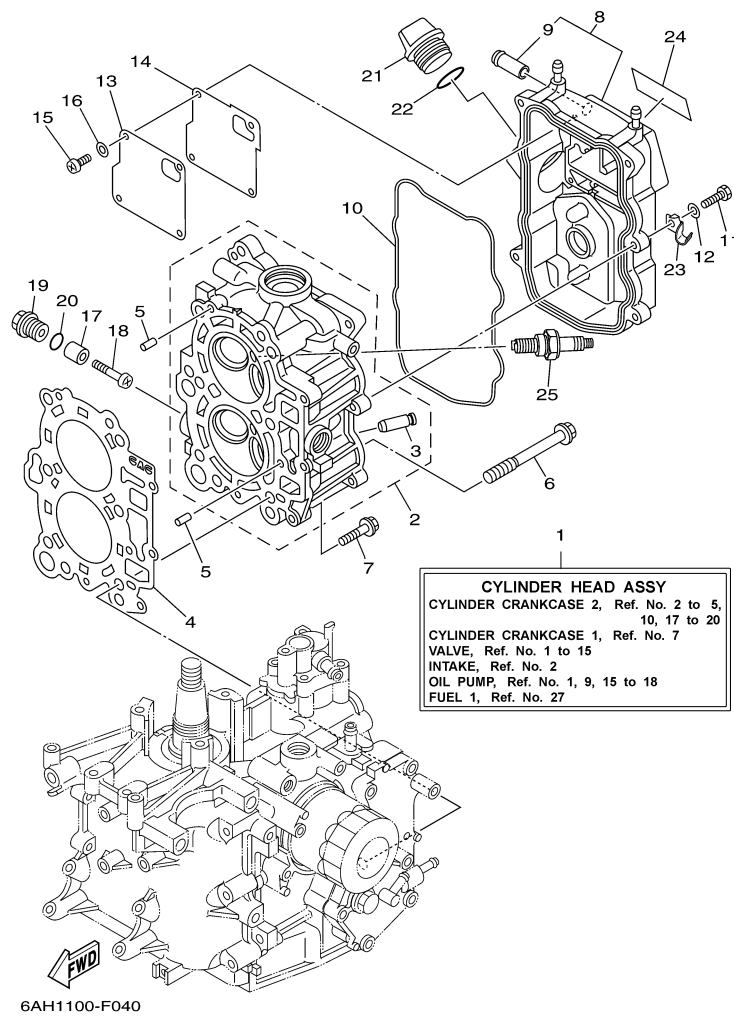
6AH1100-F030

Part List

F20MLH 0409 / CRANKSHAFT PISTON

| REF - NO | PART NUMBER | PART NAME | QUANTITY | REMARKS |
|----------------|-----------------|---------------------------------|----------|----------|
| 1 | 6AH-11411-00-00 | CRANKSHAFT | 1 | |
| 2 | 6AH-11416-00-00 | PLANE BEARING, CRANKSHAFT 1 | 4 | UR BLUE |
| 2 | 6AH-11416-20-00 | PLANE BEARING, CRANKSHAFT 1 | 4 | UR BROWN |
| 2 | 6AH-11416-10-00 | PLANE BEARING, CRANKSHAFT 1 | 4 | UR BLACK |
| 3 | 6AH-11650-00-00 | CONNECTING ROD ASSY | 2 | |
| 4 | 6AH-11654-00-00 | .BOLT, CONNECTING ROD | 2 | |
| 5 | 6AH-11631-00-00 | PISTON (STD) | 2 | |
| 5 | 6AH-11636-00-00 | PISTON (0.50MM O/S) | 2 | AP |
| 5 | 6AH-11635-00-00 | PISTON (0.25MM O/S) | 2 | AP |
| 6 | 6AH-11603-00-00 | PISTON RING SET (STD) | 2 | |
| 6 | 6AH-11605-00-00 | PISTON RING SET (0.50MM O/S) | 2 | AP |
| 6 | 6AH-11604-00-00 | PISTON RING SET (0.25MM O/S) | 2 | AP |
| 7 | 137-11633-10-00 | PIN, PISTON | 2 | |
| 8 | 93450-17129-00 | CIRCLIP | 4 | |
| 9 | 93102-37004-00 | .OIL SEAL | 1 | |
| 10 | 93102-25014-00 | .OIL SEAL | 1 | |

F20MLH 0409 / CYLINDER CRANKCASE 2



Part List

F20MLH 0409 / CYLINDER CRANKCASE 2

| REF - NO | PART NUMBER | PART NAME | QUANTITY | REMARKS |
|----------------|-----------------|--------------------------|----------|---------|
| 1 | 6AH-W009A-00-1S | CYLINDER HEAD COMPLETE | 1 | |
| 2 | 6AH-11111-00-94 | HEAD, CYLINDER 1 | 1 | |
| 3 | 6AH-11133-10-00 | .GUIDE, VALVE 1 | 4 | |
| 4 | 6AG-11181-00-00 | .GASKET, CYLINDER HEAD 1 | 1 | |
| 5 | 93606-12019-00 | .PIN, DOWEL | 2 | |
| 6 | 90105-09006-00 | BOLT, FLANGE | 6 | |
| 7 | 90119-06MA3-00 | BOLT, WITH WASHER | 3 | |
| 8 | 6AH-11191-00-1S | COVER, CYLINDER HEAD 1 | 1 | |
| 9 | 6AH-11372-00-00 | .NIPPLE, HOSE | 1 | |
| 10 | 6AH-11356-00-00 | .SEAL, CYLINDER 2 | 1 | |
| 11 | 97095-06020-00 | BOLT | 5 | |
| 12 | 92995-06600-00 | WASHER | 5 | |
| 13 | 6AH-11168-00-00 | COVER, BREATHER | 1 | |
| 14 | 6AH-11169-00-00 | .GASKET, BREATHER COVER | 1 | |
| 15 | 98507-04010-00 | SCREW, PAN HEAD | 4 | |
| 16 | 92907-04600-00 | WASHER | 4 | |
| 17 | 6G8-11325-00-00 | ANODE | 2 | |
| 18 | 97880-05025-00 | SCREW, PAN HEAD | 2 | |
| 19 | 6G8-11197-01-00 | PLUG, BLIND | 2 | |
| 20 | 93210-13M63-00 | .O-RING | 2 | |
| 21 | 6G8-15363-00-00 | PLUG, OIL | 1 | |
| 22 | 93210-24M79-00 | .O-RING | 1 | |
| 23 | 90465-08059-00 | CLAMP | 1 | |
| 24 | 62Y-12138-40-00 | MARK, CAUTION | 1 | |
| 25 | NGK-DPR6E-B9-00 | PLUG, SPARK (NGK DPR6EB) | 2 | |

F20MLH 0409 / VALVE



6AH1100-F050

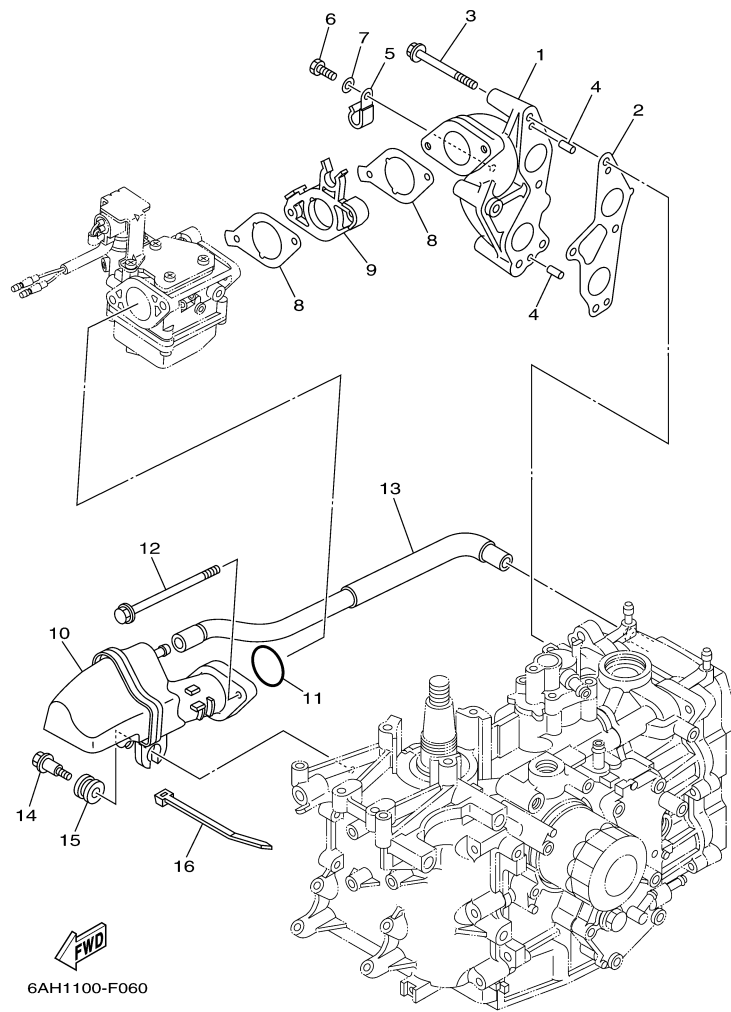
©2014 Yamaha Motor Corporation, U.S.A. All rights reserved.

Part List

F20MLH 0409 / VALVE

| REF - NO | PART NUMBER | PART NAME | QUANTITY | REMARKS |
|----------------|-----------------|--------------------------------|----------|---------|
| 1 | 6AH-12111-00-00 | VALVE, INTAKE | 2 | |
| 2 | 6AH-12121-00-00 | VALVE, EXHAUST | 2 | |
| 3 | 62Y-12116-00-00 | SEAT, VALVE SPRING | 4 | |
| 4 | 3YF-12113-00-00 | SPRING, VALVE INNER | 4 | |
| 5 | 30X-12117-00-00 | RETAINER, VALVE SPRING | 4 | |
| 6 | 30X-12118-00-00 | LOCK, VALVE SPRING RETAINER | 8 | |
| 7 | 51Y-12119-00-00 | SEAL, VALVE STEM | 4 | |
| 8 | 66M-12146-00-00 | SHAFT, ROCKER | 1 | |
| 9 | 6AH-12279-00-00 | PLATE | 1 | |
| 10 | 97013-06012-00 | BOLT | 1 | |
| 11 | 90387-13006-00 | COLLAR | 2 | |
| 12 | 90501-120A5-00 | SPRING, COMPRESSION | 2 | |
| 13 | 6AH-12151-00-00 | ARM, VALVE ROCKER | 4 | |
| 14 | 64J-12159-00-00 | SCREW, VALVE ADJUSTING | 4 | |
| 15 | 62Y-12158-00-00 | NUT, LOCK | 4 | |

F20MLH 0409 / INTAKE



©2014 Yamaha Motor Corporation, U.S.A. All rights reserved.

Part List

F20MLH 0409 / INTAKE

| REF - NO | PART NUMBER | PART NAME | QUANTITY | REMARKS |
|----------------|-----------------|-----------------------|----------|---------|
| 1 | 6AH-13641-00-94 | MANIFOLD, INTAKE 1 | 1 | |
| 2 | 6AH-13645-00-00 | .GASKET, MANIFOLD 1 | 1 | |
| 3 | 97595-06555-00 | BOLT, WITH WASHER | 4 | |
| 4 | 91690-50014-00 | PIN, SPRING | 2 | |
| 5 | 90465-08M83-00 | CLAMP | 2 | |
| 6 | 97095-06012-00 | BOLT | 2 | |
| 7 | 92995-06600-00 | WASHER | 2 | |
| 8 | 6AH-13646-00-00 | .GASKET, MANIFOLD 2 | 2 | |
| 9 | 6AH-14271-00-00 | INSULATOR | 1 | |
| 10 | 6AH-14440-00-00 | SILENCER ASSY, INTAKE | 1 | |
| 11 | 93210-35M86-00 | .O-RING | 1 | |
| 12 | 95895-06100-00 | BOLT, FLANGE | 2 | |
| 13 | 6AH-15373-00-00 | PIPE, BREATHER | 1 | |
| 14 | 90109-06MA1-00 | BOLT | 1 | |
| 15 | 90480-16616-00 | GROMMET | 1 | |
| 16 | 90465-13M18-00 | CLAMP | 1 | |

F20MLH 0409 / CARBURETOR




6AH1100-F070
Rev. 3-20-2012


Part List

F20MLH 0409 / CARBURETOR

| REF - NO | PART NUMBER | PART NAME | QUANTITY | REMARKS |
|----------|-----------------|------------------------|----------|------------------|
| 1 | 6AH-14301-00-00 | CARBURETOR ASSY 1 | 1 | |
| 2 | 98580-04006-00 | .SCREW, PAN HEAD | 1 | |
| 3 | 65W-14572-00-00 | .PLATE | 1 | |
| 4 | 65W-14126-10-00 | .GASKET | 1 | |
| 5 | 97980-04110-00 | .SCREW, WITH WASHER | 4 | |
| 6 | 6AG-14948-05-00 | .JET (#45) | 1 | FOR 6AH-14301-00 |
| 7 | 679-14966-00-00 | .RUBBER CAP | 1 | |
| 8 | 90501-10326-00 | .SPRING, COMPRESSION | 1 | |
| 9 | 63V-14523-00-00 | .SCREW, STOP | 1 | |
| 10 | 6AH-14947-00-00 | .JET, NEEDLE | 1 | |
| 11 | 63D-14943-81-00 | .JET, MAIN (#118) | 1 | |
| 12 | 6AH-14985-00-00 | .FLOAT | 1 | |
| 13 | 6G1-14546-01-00 | .VALVE, NEEDLE | 1 | |
| 14 | 676-14186-00-00 | .PIN, FLOAT | 1 | |
| 15 | 663-14159-00-00 | .CLIP | 1 | |
| 16 | 98580-04008-00 | .SCREW, PAN HEAD | 1 | |
| 17 | 6H4-14548-00-00 | .PIN, FLOAT ARM | 1 | |
| 18 | 65W-14373-01-00 | .COVER, PLUNGER CAP | 1 | |
| 19 | 6AH-14379-00-00 | .ROD, STARTER | 1 | |
| 20 | 6AH-14923-00-00 | .SCREW, PILOT | 1 | |
| 21 | 67C-14397-00-00 | .O-RING | 1 | |
| 22 | 67C-14555-00-00 | .SPRING | 1 | |
| 23 | 6AH-14335-00-00 | .SPRING, PLUNGER | 1 | |
| 24 | 6AH-14371-00-00 | .PLUNGER, STARTER | 1 | |
| 25 | 6AH-14384-00-00 | .GASKET, FLOAT CHAMBER | 1 | |
| 26 | 6AH-14980-00-00 | .BODY, FLOAT CHAMBER | 1 | |
| 27 | 65W-14398-00-00 | .GASKET | 1 | |
| 28 | 65W-14992-00-00 | .SCREW, DRAIN | 1 | |
| 29 | 97980-04114-00 | .SCREW, WITH WASHER | 4 | |
| 30 | 6AH-14380-00-00 | .PRIME STARTER ASSY | 1 | FOR 6AH-14301-00 |
| 31 | 97980-04108-00 | .SCREW, WITH WASHER | 2 | |
| 32 | 6AH-14346-00-00 | .PLATE | 1 | |
| 33 | 67C-14567-00-00 | .SCREW | 1 | |
| 34 | 67C-1432A-00-00 | .PLUG | 1 | |
| 35 | 65W-14346-00-00 | .PLATE | 1 | |

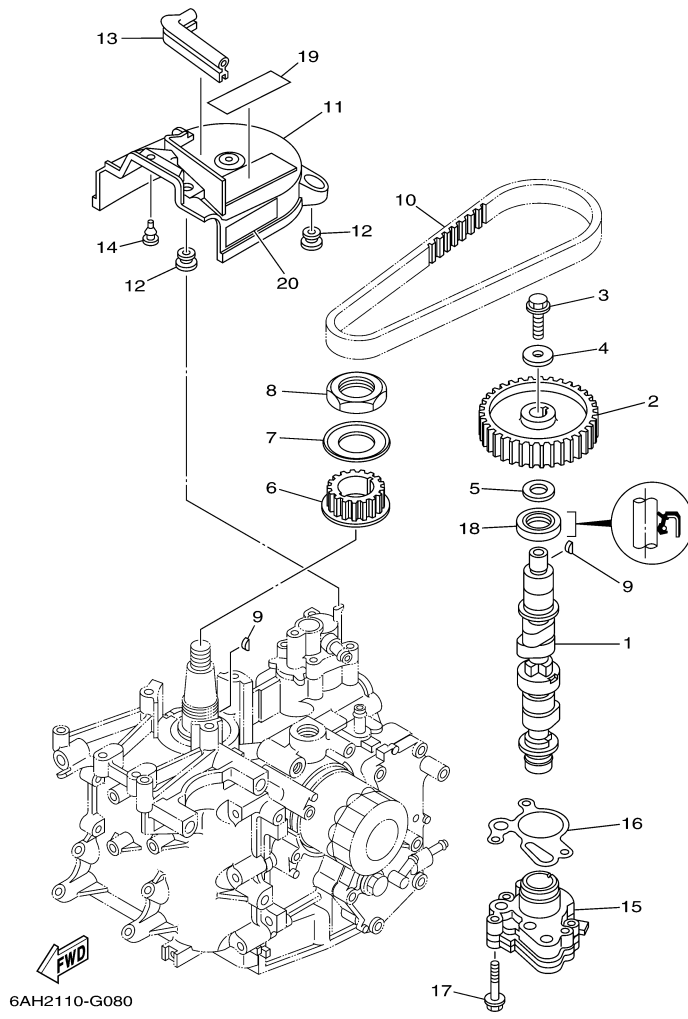
Part Notes

F20MLH 0409 / CARBURETOR

| PART NUMBER | NOTE TEXT |
|---|---|
| 6AH-14380-00-00  | OEM: The O-Ring for sealing this part to the carburetor body is not shown separately. The Part Number for the O-Ring is 93210-17001-00. |

©2014 Yamaha Motor Corporation, U.S.A. All rights reserved.

F20MLH 0409 / OIL PUMP

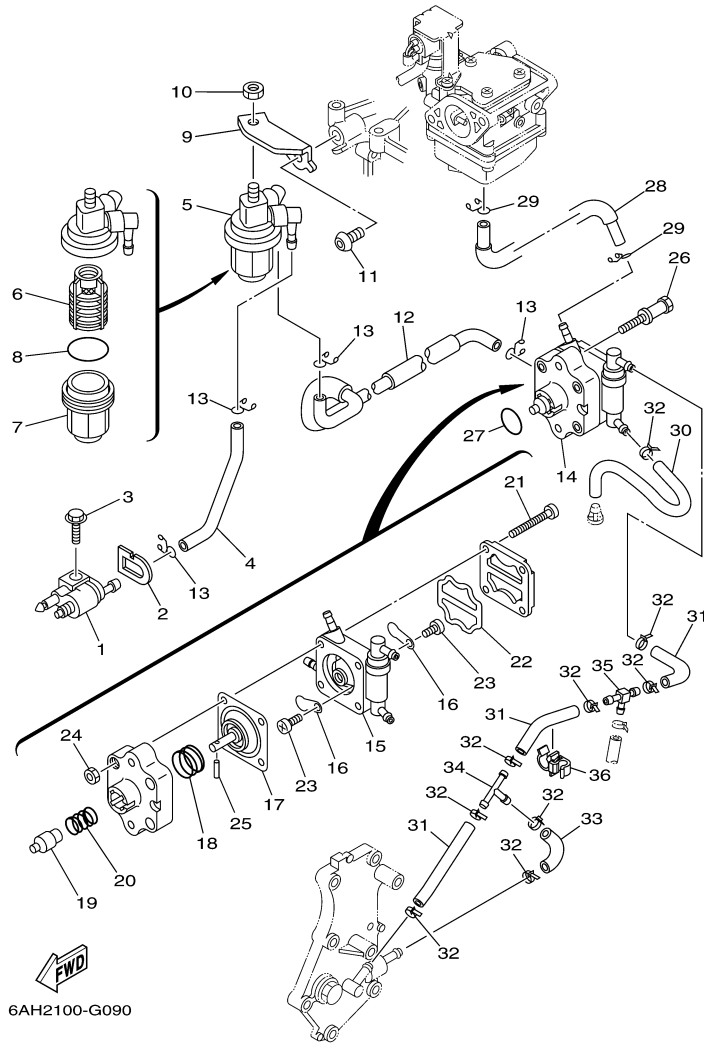


Part List

F20MLH 0409 / OIL PUMP

| REF - NO | PART NUMBER | PART NAME | QUANTITY | REMARKS |
|----------------|-----------------|---------------------|----------|---------|
| 1 | 6AH-12170-00-00 | CAMSHAFT ASSY 1 | 1 | |
| 2 | 6AH-11537-00-94 | GEAR, DRIVEN | 1 | |
| 3 | 90105-081A7-00 | BOLT, FLANGE | 1 | |
| 4 | 90201-08784-00 | WASHER, PLATE | 1 | |
| 5 | 90201-15423-00 | WASHER, PLATE | 1 | |
| 6 | 6AH-11536-00-00 | GEAR, DRIVE | 1 | |
| 7 | 6AH-11557-00-00 | WASHER 1 | 1 | |
| 8 | 90170-30003-00 | NUT | 1 | |
| 9 | 90280-03M01-00 | .KEY, WOODRUFF | 2 | |
| 10 | 6AH-46241-00-00 | BELT | 1 | |
| 11 | 6AH-46297-00-00 | COVER, DUST | 1 | |
| 12 | 90480-10627-00 | GROMMET | 3 | |
| 13 | 6AH-42617-00-00 | DAMPER, FORM | 1 | |
| 14 | 90480-06M19-00 | GROMMET | 1 | |
| 15 | 6AH-13300-00-00 | OIL PUMP ASSY | 1 | |
| 16 | 6AH-13329-00-00 | .GASKET, PUMP COVER | 1 | |
| 17 | 90105-06035-00 | BOLT, FLANGE | 3 | |
| 18 | 93102-22009-00 | .OIL SEAL | 1 | |
| 19 | 6AH-13437-40-00 | MARK, CAUTION | 1 | |
| 20 | 6AH-81994-40-00 | LABEL, SAFETY | 1 | |

F20MLH 0409 / FUEL 1



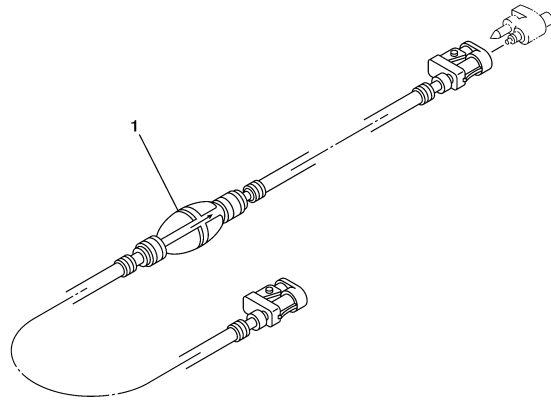
©2014 Yamaha Motor Corporation, U.S.A. All rights reserved.

Part List

F20MLH 0409 / FUEL 1

| REF - NO | PART NUMBER | PART NAME | QUANTITY | REMARKS |
|----------------|-----------------|-------------------------|----------|---------|
| 1 | 6G1-24304-02-00 | FUEL PIPE JOINT COMP. 1 | 1 | |
| 2 | 61N-24329-00-00 | SEAL | 1 | |
| 3 | 95895-06020-00 | BOLT, FLANGE | 1 | |
| 4 | 6AH-24311-00-00 | PIPE, FUEL 1 | 1 | |
| 5 | 61N-24560-00-00 | FILTER ASSY | 1 | |
| 6 | 61N-24563-00-00 | .ELEMENT, FILTER | 1 | |
| 7 | 61N-24521-00-00 | .CUP, FILTER | 1 | |
| 8 | 93210-32738-00 | .O-RING | 1 | |
| 9 | 6AH-24566-00-00 | BRACKET, FILTER | 1 | |
| 10 | 95380-08600-00 | NUT | 1 | |
| 11 | 90111-08055-00 | BOLT,HEX. SOCKET BUTTON | 1 | |
| 12 | 6AH-24312-00-00 | PIPE 2 | 1 | |
| 13 | 90467-09M17-00 | CLIP | 4 | |
| 14 | 6AH-24410-00-00 | FUEL PUMP ASSY | 1 | |
| 15 | 6AH-24413-00-00 | .BODY 2 | 1 | |
| 16 | 6A0-24421-01-00 | .VALVE, CHECK | 2 | |
| 17 | 66M-24411-11-00 | .DIAPHRAGM | 1 | |
| 18 | 66M-24423-00-00 | .SPRING, DIAPHRAGM | 1 | |
| 19 | 66M-13131-10-00 | .PLUNGER | 1 | |
| 20 | 66M-24454-00-00 | .SPRING | 1 | |
| 21 | 66M-24444-00-00 | .SCREW | 4 | |
| 22 | 66M-24471-01-00 | .DIAPHRAGM | 1 | |
| 23 | 6E7-14325-00-00 | .SCREW, PAN HEAD | 2 | |
| 24 | 95380-04600-00 | .NUT | 4 | |
| 25 | 66M-24374-00-00 | .PIN | 1 | |
| 26 | 90109-06215-00 | BOLT | 2 | |
| 27 | 93210-20M65-00 | .O-RING | 1 | |
| 28 | 6AH-24313-00-00 | PIPE 3 | 1 | |
| 29 | 90467-09M17-00 | CLIP | 2 | |
| 30 | 6AH-24315-00-00 | PIPE 5 | 1 | |
| 31 | 90445-09026-00 | HOSE (L68) | 3 | |
| 32 | 90465-11M10-00 | CLAMP | 9 | |
| 33 | 6AH-24317-00-00 | PIPE 7 | 1 | |
| 34 | 688-24378-00-00 | PIPE, JOINT 3 | 1 | |
| 35 | 6C5-24378-00-00 | PIPE, JOINT 3 | 1 | |
| 36 | 90464-09018-00 | CLAMP | 1 | |

F20MLH 0409 / FUEL 2



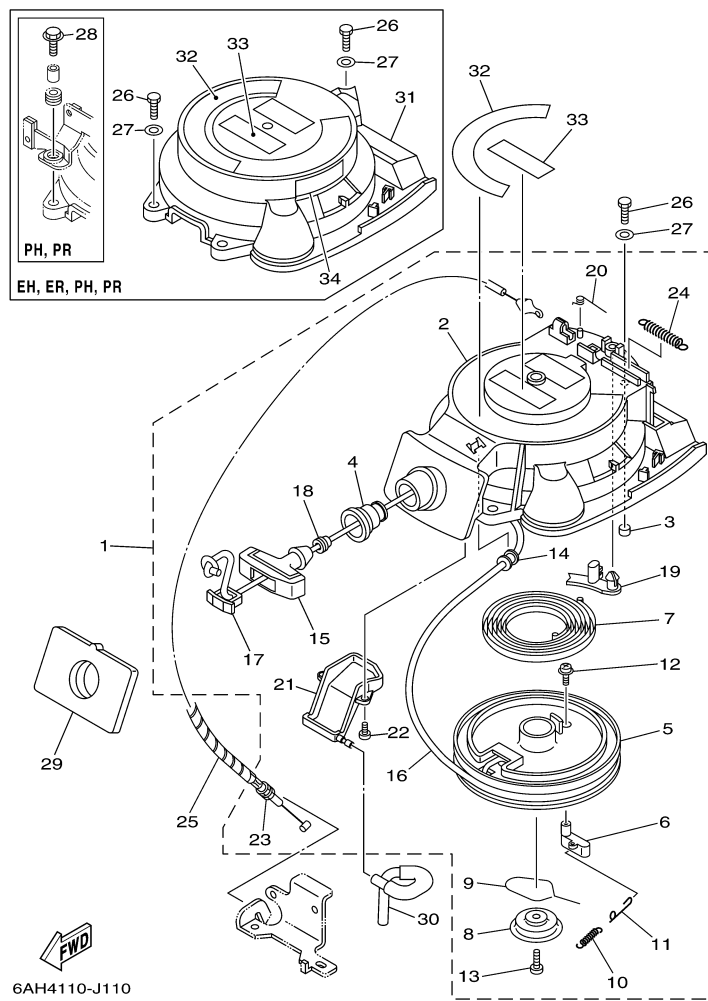
6BP1110-H100

Part List

F20MLH 0409 / FUEL 2

| REF - NO | PART NUMBER | PART NAME | QUANTITY | REMARKS |
|----------------|-----------------|-------------------|----------|---------|
| 1 | 6YL-24306-60-00 | FUEL PIPE COMP. 1 | 1 | AP |

F20MLH 0409 / STARTER



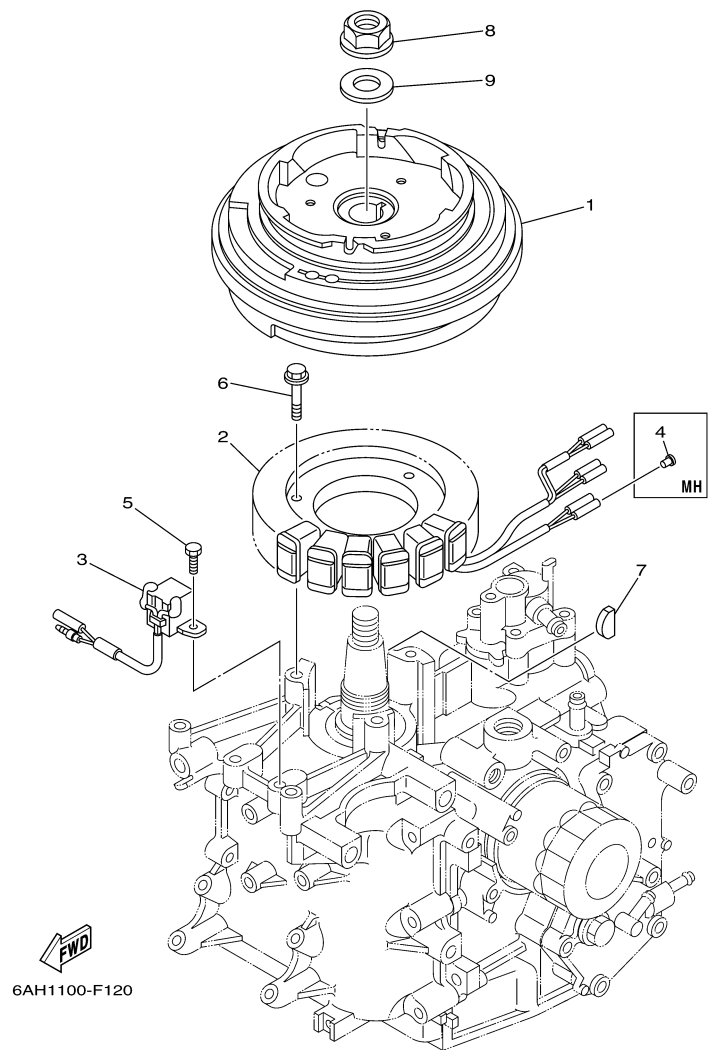
©2014 Yamaha Motor Corporation, U.S.A. All rights reserved.

Part List

F20MLH 0409 / STARTER

| REF - NO | PART NUMBER | PART NAME | QUANTITY | REMARKS |
|----------------|-----------------|------------------------------|----------|---|
| 1 | 6AH-15710-01-00 | STARTER ASSY | 1 | |
| 2 | 6AH-15711-00-00 | .CASE, STARTER | 1 | |
| 3 | 67D-15764-00-00 | .COLLAR 1 | 3 | |
| 4 | 6AH-15795-00-00 | .GUIDE, ROPE | 1 | |
| 5 | 63V-15714-00-00 | .DRUM, SHEAVE | 1 | |
| 6 | 6AH-15741-10-00 | .PAWL, DRIVE | 1 | |
| 7 | 63V-15713-00-00 | .SPRING, STARTER | 1 | |
| 8 | 68T-15716-00-00 | .PLATE, DRIVE | 1 | |
| 9 | 63V-15705-01-00 | .SPRING, DRIVE PAWL | 1 | |
| 10 | 63V-15767-01-00 | .SPRING | 1 | |
| 11 | 68T-15784-00-00 | .SPRING, RETURN | 1 | |
| 12 | 63V-15793-00-00 | .SCREW | 1 | |
| 13 | 68T-15793-00-00 | .SCREW | 1 | |
| 14 | 68T-15764-00-00 | .COLLAR 1 | 1 | |
| 15 | 689-15755-01-00 | .HANDLE, STARTER | 1 | |
| 16 | 90890-44373-00 | ROPE, STARTER | 1 | UNAVAILABLE-OBTAIN LOCALLY, CUT TO 1.8M |
| 17 | 6F5-15779-02-00 | .COVER | 1 | |
| 18 | 6A0-15789-00-00 | .DAMPER | 1 | |
| 19 | 66T-15794-00-00 | .STOPPER | 1 | |
| 20 | 66T-15734-00-00 | .SPRING, RETURN | 1 | |
| 21 | 6AH-15782-00-00 | .COVER, SHEAVE | 1 | |
| 22 | 6AH-15793-00-00 | .SCREW | 2 | |
| 23 | 6AH-15770-00-00 | .CABLE COMP, STARTER STOP | 1 | |
| 24 | 66T-15731-00-00 | .SPRING, RETURN | 1 | |
| 25 | 90446-06M90-00 | HOSE (L120) | 1 | |
| 26 | 97095-06020-00 | BOLT | 3 | |
| 27 | 92995-06600-00 | WASHER | 3 | |
| 29 | 6AH-15762-00-00 | SEAL, RUBBER 2 | 1 | |
| 30 | 6AH-24316-00-00 | PIPE 6 | 1 | |
| 32 | 6AH-14427-40-00 | LABEL, INSTRUCTION | 1 | |
| 33 | 6AH-81995-40-00 | LABEL, WARNING | 1 | |

F20MLH 0409 / GENERATOR



©2014 Yamaha Motor Corporation, U.S.A. All rights reserved.

Part List

F20MLH 0409 / GENERATOR

| REF - NO | PART NUMBER | PART NAME | QUANTITY | REMARKS |
|----------------|-----------------|------------------|----------|---------|
| 1 | 6AH-85550-00-00 | ROTOR ASSY | 1 | |
| 2 | 6AH-85510-00-00 | STATOR ASSY | 1 | |
| 3 | 6AH-85580-00-00 | COIL, PULSER | 1 | |
| 4 | 703-82119-00-00 | COVER, LEAD WIRE | 2 | |
| 5 | 97095-05012-00 | BOLT | 2 | |
| 6 | 95895-06030-00 | BOLT, FLANGE | 3 | |
| 7 | 90280-05013-00 | KEY, WOODRUFF | 1 | |
| 8 | 90179-16M05-00 | NUT | 1 | |
| 9 | 90201-16M44-00 | WASHER, PLATE | 1 | |

F20MLH 0409 / ELECTRICAL 1



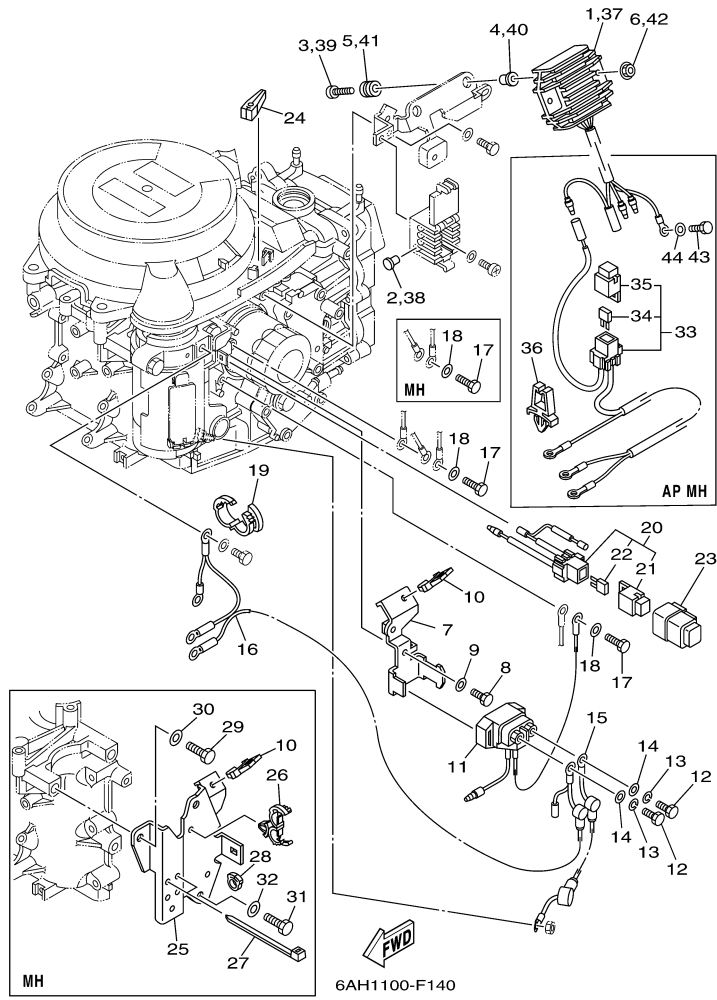
6AH1110-F130

Part List

F20MLH 0409 / ELECTRICAL 1

| REF - NO | PART NUMBER | PART NAME | QUANTITY | REMARKS |
|----------------|-----------------|--------------------------|----------|---------|
| 1 | 6AH-85540-00-00 | C.D.I. UNIT ASSY | 1 | |
| 2 | 97095-06020-00 | BOLT | 1 | |
| 3 | 92995-06600-00 | WASHER | 1 | |
| 4 | 90109-06221-00 | BOLT | 1 | |
| 5 | 6AH-81948-00-00 | BRACKET | 1 | |
| 6 | 90465-13M18-00 | CLAMP | 1 | |
| 7 | 90119-06M35-00 | BOLT, WITH WASHER | 3 | |
| 8 | 90387-06M60-00 | COLLAR | 3 | |
| 9 | 90480-10M23-00 | GROMMET | 3 | |
| 10 | 6AH-82522-00-00 | CLAMP, COUPLER | 1 | |
| 11 | 97880-06010-00 | SCREW, PAN HEAD | 1 | |
| 12 | 90201-06M05-00 | WASHER, PLATE | 1 | |
| 13 | 6F5-85570-13-00 | IGNITION COIL ASSY | 1 | |
| 14 | 90480-25003-00 | GROMMET | 3 | |
| 15 | 67F-82361-00-00 | CLAMP, CORD | 1 | |
| 16 | 97095-06025-00 | BOLT | 2 | |
| 17 | 92995-06600-00 | WASHER | 2 | |
| 18 | 6AH-82370-00-00 | PLUG CAP ASSY | 2 | |
| 19 | 97095-06014-00 | BOLT | 2 | |
| 20 | 92995-06600-00 | WASHER | 2 | |
| 21 | 6AH-85542-00-00 | BRACKET | 1 | |
| 22 | 90464-07M56-00 | CLAMP | 2 | |
| 23 | 64J-82504-00-00 | OIL PRESSURE SWITCH ASSY | 1 | |
| 24 | 62Y-84301-00-00 | PILOT LIGHT ASSY 1 | 1 | |
| 25 | 6H4-83589-00-00 | GASKET | 1 | |
| 26 | 97885-06012-00 | SCREW, PAN HEAD | 1 | |
| 27 | 92995-06600-00 | WASHER | 1 | |
| 28 | 6AH-82388-00-00 | PLATE | 1 | |
| 29 | 90109-06M86-00 | BOLT | 1 | |
| 30 | 6AH-82560-00-00 | THERMO SWITCH ASSY | 1 | |
| 31 | 6AH-82588-00-00 | PLATE | 1 | |
| 32 | 97095-06014-00 | BOLT | 1 | |
| 33 | 92995-06600-00 | WASHER | 1 | |
| 34 | 90465-11M10-00 | CLAMP | 1 | |
| 35 | 6AH-82554-00-00 | STAY, NEUTRAL SWITCH | 1 | |
| 36 | 97095-06016-00 | BOLT | 2 | |
| 37 | 92995-06600-00 | WASHER | 2 | |
| 38 | 90464-18246-00 | CLAMP | 2 | |
| 39 | 90465-13M18-00 | CLAMP | 1 | |
| 40 | 90464-10M32-00 | CLAMP | 1 | |
| 41 | 6G1-42725-00-00 | GROMMET | 1 | |
| 42 | 90464-16003-00 | CLAMP | 1 | |
| 43 | 6AH-82389-00-00 | PLATE 2 | 1 | |
| 44 | 90109-06M86-00 | BOLT | 1 | |
| 45 | 67C-85415-00-00 | MARK, SIGNAL LAMP | 1 | |

F20MLH 0409 / ELECTRICAL 2



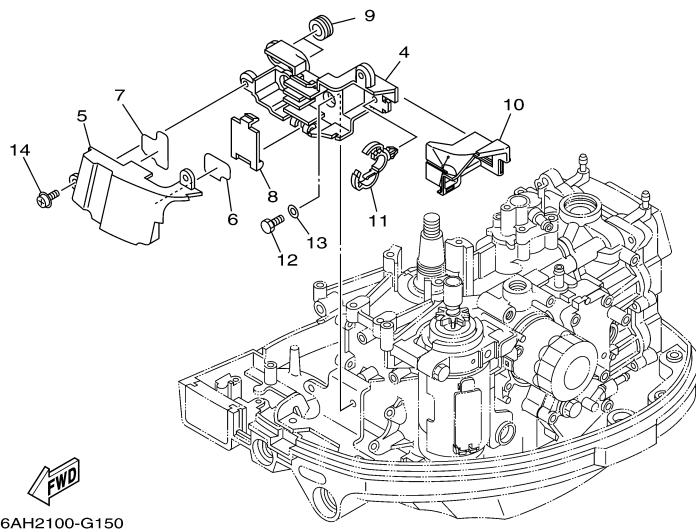
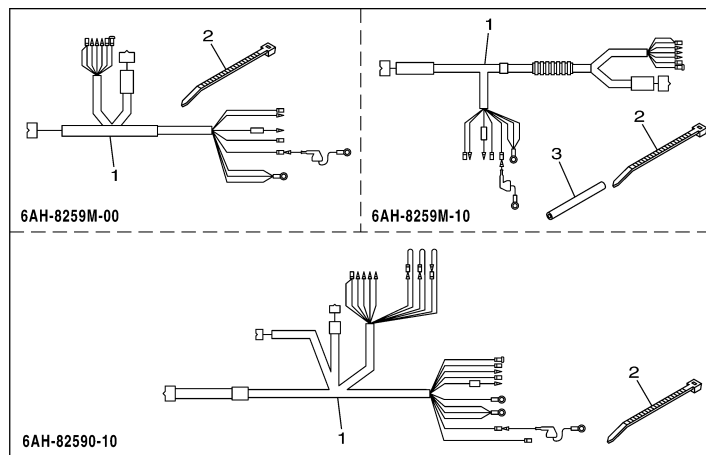
©2014 Yamaha Motor Corporation, U.S.A. All rights reserved.

Part List

F20MLH 0409 / ELECTRICAL 2

| REF - NO | PART NUMBER | PART NAME | QUANTITY | REMARKS |
|----------------|-----------------|-------------------------------|----------|---------|
| 10 | 90464-08004-00 | CLAMP | 1 | |
| 17 | 97095-06014-00 | BOLT | 1 | |
| 18 | 92995-06600-00 | WASHER | 1 | |
| 25 | 6AH-82398-00-00 | PLATE 3 | 1 | |
| 26 | 90464-18246-00 | CLAMP | 1 | |
| 27 | 90465-13M18-00 | CLAMP | 3 | |
| 28 | 90464-09010-00 | CLAMP | 1 | |
| 29 | 97095-08025-00 | BOLT | 2 | |
| 30 | 92995-08600-00 | WASHER | 2 | |
| 31 | 97095-08016-00 | BOLT | 1 | |
| 32 | 92995-08600-00 | WASHER | 1 | |
| 33 | 6AH-81949-00-00 | WIRE, LEAD | 1 | AP |
| 34 | 67F-82151-00-00 | .FUSE (20A) | 2 | |
| 35 | 67F-8215B-00-00 | .CAP (BLACK) | 1 | |
| 36 | 90464-06001-00 | CLAMP | 1 | AP |
| 37 | 6AH-81960-00-00 | RECTIFIER & REGULATOR ASSY | 1 | AP |
| 38 | 703-82119-00-00 | COVER, LEAD WIRE | 1 | AP |
| 39 | 98980-06030-00 | SCREW, BIND | 2 | AP |
| 40 | 90387-06M70-00 | COLLAR | 2 | AP |
| 41 | 90480-13M24-00 | GROMMET | 2 | AP |
| 42 | 95780-06500-00 | NUT, FLANGE | 2 | AP |
| 43 | 97095-06014-00 | BOLT | 1 | AP |
| 44 | 92995-06600-00 | WASHER | 1 | AP |

F20MLH 0409 / ELECTRICAL 3

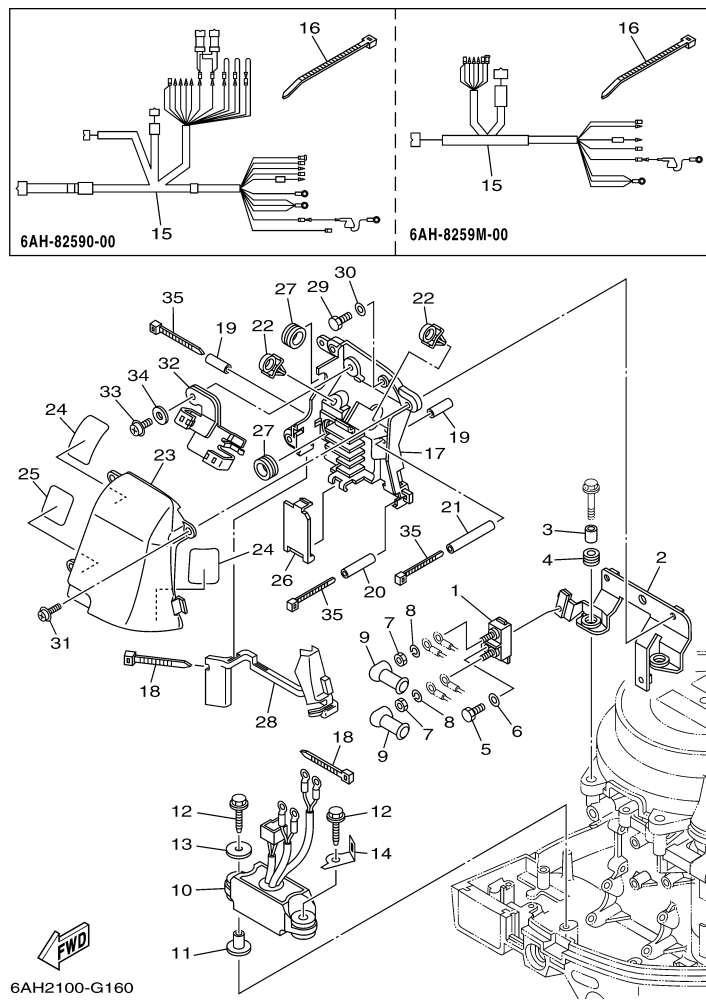


Part List

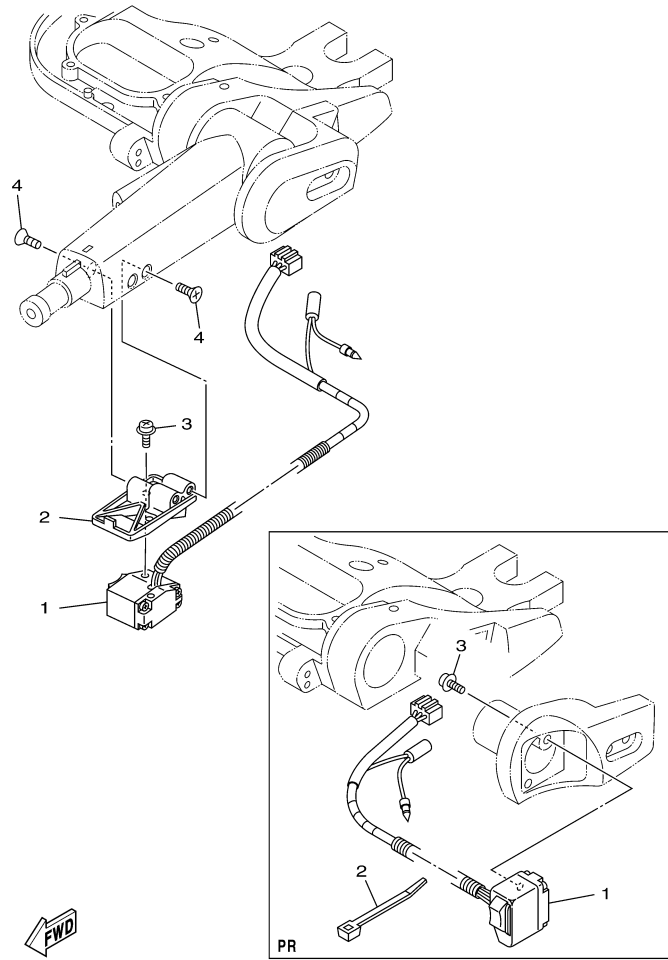
F20MLH 0409 / ELECTRICAL 3

| REF - NO | PART NUMBER | PART NAME | QUANTITY | REMARKS |
|----------------|-----------------|---------------------|----------|---------|
| 1 | 6AH-8259M-10-00 | WIRE HARNESS ASSY 2 | 1 | |
| 2 | 90465-13M18-00 | CLAMP | 1 | |
| 3 | 90445-08029-00 | HOSE | 1 | |
| 4 | 6AH-8552A-00-00 | HOUSING | 1 | |
| 5 | 6AH-8552E-00-00 | COVER, CASE | 1 | |
| 6 | 6AH-42735-30-00 | PROTECTOR | 1 | |
| 7 | 6AH-42735-40-00 | PROTECTOR | 1 | |
| 8 | 6AH-85537-00-00 | COVER | 1 | |
| 9 | 90480-19368-00 | GROMMET | 2 | |
| 10 | 6AH-85547-00-00 | DAMPER | 1 | |
| 11 | 90464-20181-00 | CLAMP | 1 | |
| 12 | 97095-06014-00 | BOLT | 2 | |
| 13 | 92995-06600-00 | WASHER | 2 | |
| 14 | 97985-06214-00 | SCREW, WITH WASHER | 2 | |

F20MLH 0409 / ELECTRICAL 4



F20MLH 0409 / ELECTRICAL 5



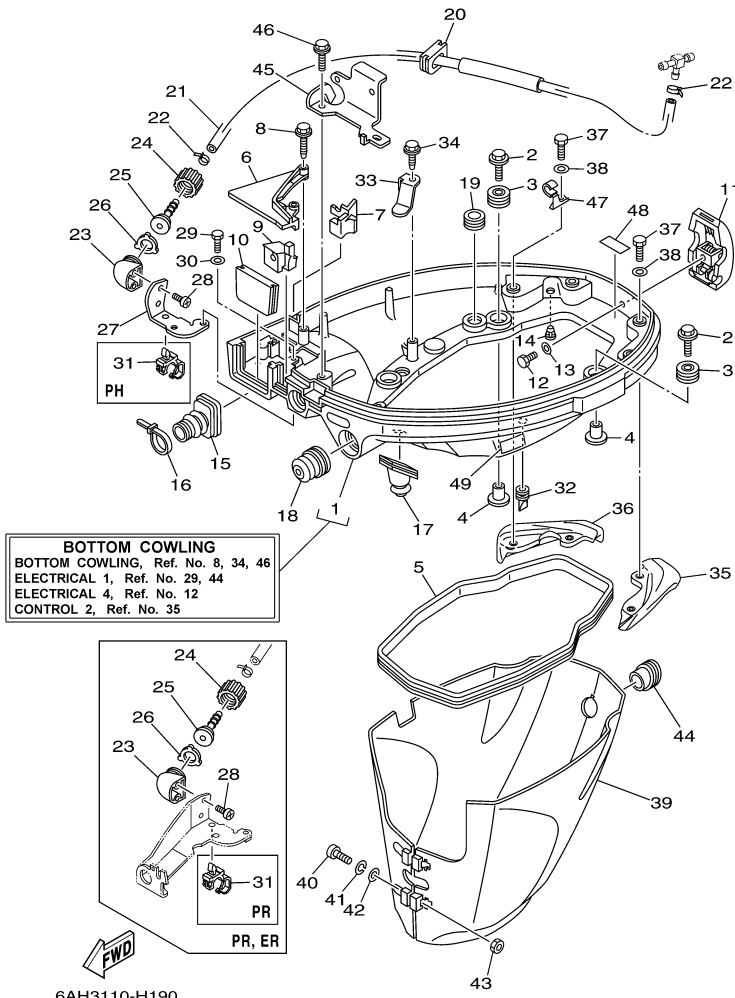
6AH4110-J170

F20MLH 0409 / STARTING MOTOR



©2014 Yamaha Motor Corporation, U.S.A. All rights reserved.

F20MLH 0409 / BOTTOM COWLING

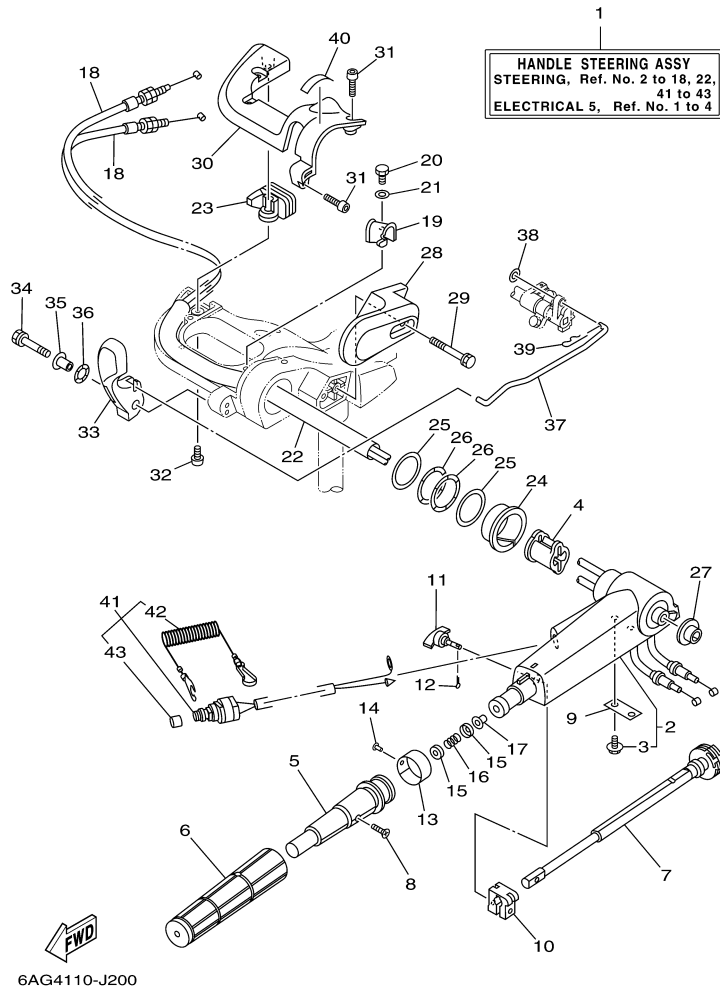


Part List

F20MLH 0409 / BOTTOM COWLING

| REF - NO | PART NUMBER | PART NAME | QUANTITY | REMARKS |
|----------------|-----------------|--------------------------|----------|---------|
| 1 | 6AH-42710-00-4D | BOTTOM COWLING ASSY | 1 | |
| 2 | 68F-85119-00-00 | BOLT | 4 | |
| 3 | 90480-21M82-00 | GROMMET | 4 | |
| 4 | 90387-06176-00 | COLLAR | 4 | |
| 5 | 6AH-42716-00-00 | RUBBER, SEAL 1 | 1 | |
| 6 | 6AH-42738-00-4D | PLATE, FITTING | 1 | |
| 7 | 6AH-42718-00-00 | RUBBER, SEAL 3 | 1 | |
| 8 | 90109-06M82-00 | BOLT | 2 | |
| 9 | 6AH-42725-00-00 | GROMMET | 1 | |
| 10 | 6AH-42724-00-00 | GROMMET | 1 | |
| 11 | 6AH-42801-00-00 | COWLING CLAMP COMP. | 1 | |
| 12 | 97095-06012-00 | BOLT | 1 | |
| 13 | 92995-06600-00 | WASHER | 1 | |
| 14 | 6BL-44391-00-00 | NIPPLE, HOSE | 1 | |
| 15 | 6AH-26326-00-00 | GROMMET | 1 | |
| 16 | 90465-11M10-00 | CLAMP | 1 | |
| 17 | 6AH-42727-00-00 | GROMMET | 1 | |
| 18 | 65W-42726-00-00 | GROMMET | 1 | |
| 19 | 90480-16007-00 | GROMMET | 1 | |
| 20 | 6AH-42726-00-00 | GROMMET | 1 | |
| 21 | 6AH-24314-01-00 | PIPE 4 | 1 | |
| 22 | 90465-11M10-00 | CLAMP | 2 | |
| 23 | 68T-12572-00-00 | ADAPTER | 1 | |
| 24 | 6R3-12581-00-00 | JOINT, HOSE 1 | 1 | |
| 25 | 6R3-12582-00-00 | JOINT, HOSE 2 | 1 | |
| 26 | 6R3-12583-00-00 | GASKET, HOSE JOINT | 1 | |
| 27 | 6AH-12535-00-00 | PLATE | 1 | |
| 28 | 90167-06002-00 | SCREW, TAPPING | 2 | |
| 29 | 97095-06010-00 | BOLT | 2 | |
| 30 | 92995-06600-00 | WASHER | 2 | |
| 32 | 65W-42717-00-00 | RUBBER, SEAL 2 | 2 | |
| 33 | 6AH-42743-00-00 | BRACKET | 1 | |
| 34 | 90109-06M86-00 | BOLT | 1 | |
| 35 | 6AH-42761-00-00 | STOPPER | 1 | |
| 36 | 6AH-42762-00-00 | STOPPER | 1 | |
| 37 | 97075-06012-00 | BOLT | 4 | |
| 38 | 92995-06600-00 | WASHER | 4 | |
| 39 | 6AH-42741-00-00 | APRON | 1 | |
| 40 | 97885-06030-00 | SCREW, PAN HEAD | 2 | |
| 41 | 92995-06100-00 | WASHER, SPRING | 2 | |
| 42 | 92995-06600-00 | WASHER | 2 | |
| 43 | 95380-06600-00 | NUT, HEXAGON | 2 | |
| 44 | 6AH-42717-00-00 | RUBBER, SEAL 2 | 1 | |
| 45 | 6AH-15774-00-00 | STAY 4 | 1 | |
| 46 | 90109-06M86-00 | BOLT | 1 | |
| 47 | 90465-08M82-00 | CLAMP | 1 | |
| 48 | 6C5-82377-00-00 | LABEL | 1 | |
| 49 | 6AH-42794-40-00 | LABEL, WARNING (GENERAL) | 1 | |

F20MLH 0409 / STEERING



©2014 Yamaha Motor Corporation, U.S.A. All rights reserved.



Part List

F20MLH 0409 / STEERING

| REF - NO | PART NUMBER | PART NAME | QUANTITY | REMARKS |
|----------|-----------------|---------------------------------|----------|---------|
| 1 | 6AH-W0084-01-4D | HANDLE STEERING ASSY | 1 | |
| 2 | 6AH-42101-01-4D | HANDLE, STEERING | 1 | |
| 3 | 90109-06M86-00 | .BOLT | 2 | |
| 4 | 6AH-26288-00-00 | GROMMET, CABLE | 1 | |
| 5 | 66M-42119-00-00 | GRIP, STEERING HANDLE | 1 | |
| 6 | 67D-42177-00-00 | RUBBER, HANDLE | 1 | |
| 7 | 65W-42138-00-00 | LEVER, THROTTLE | 1 | |
| 8 | 90149-05M13-00 | SCREW | 1 | |
| 9 | 65W-42159-00-00 | STAY | 1 | |
| 10 | 6G1-42126-00-00 | FRICITION, STEERING HANDLE GRIP | 1 | |
| 11 | 65W-42125-00-00 | BOLT, FRICTION ADJUSTING | 1 | |
| 12 | 91490-16010-00 | PIN. COTTER | 1 | |
| 13 | 6J0-42137-00-00 | INDICATOR, THROTTLE | 1 | |
| 14 | 90269-02M09-00 | RIVET | 1 | |
| 15 | 6X4-44188-00-00 | WASHER | 2 | |
| 16 | 90501-23215-00 | SPRING, COMPRESSION | 1 | |
| 17 | 90386-08004-00 | BUSH | 1 | |
| 18 | 6AH-26311-00-00 | CABLE, THROTTLE 1 | 2 | |
| 19 | 6AH-44554-00-00 | PLATE | 1 | |
| 20 | 97095-06014-00 | BOLT | 1 | |
| 21 | 92995-06600-00 | WASHER | 1 | |
| 22 | 6AH-2634E-00-00 | PROTECTOR 1 | 1 | |
| 23 | 6AH-42551-00-00 | GROMMET | 1 | |
| 24 | 90386-45001-00 | BUSH | 1 | |
| 25 | 90201-39008-00 | WASHER, PLATE | 2 | |
| 26 | 90206-39001-00 | WASHER, WAVE | 2 | |
| 27 | 90381-20001-00 | BUSH, SOLID | 1 | |
| 28 | 6AH-42131-00-4D | COVER, HANDLE STEERING | 1 | |
| 29 | 97595-06555-00 | BOLT, WITH WASHER | 2 | |
| 30 | 6AH-42532-00-00 | COVER | 1 | |
| 31 | 90111-06072-00 | BOLT,HEX. SOCKET BUTTON | 4 | |
| 32 | 97780-60520-00 | SCREW, TAPPING | 1 | |
| 33 | 6AH-44111-00-00 | HANDLE, GEAR SHIFT | 1 | |
| 34 | 90119-06M05-00 | BOLT, WITH WASHER | 1 | |
| 35 | 90387-06M86-00 | .COLLAR | 1 | |
| 36 | 90206-15M18-00 | WASHER, WAVE | 1 | |
| 37 | 6AH-44124-00-00 | LINK, SHIFT ROD | 1 | |
| 38 | 92990-06200-00 | WASHER, PLAIN | 1 | |
| 39 | 90468-18008-00 | CLIP | 1 | |
| 40 | 6G8-44191-00-00 | INDICATOR, SHIFT | 1 | |
| 41 | 6AH-82575-00-00 | ENGINE STOP SWITCH ASSY | 1 | |
| 42 | 682-82556-00-00 | .LANYARD, STOP SWITCH | 1 | |
| 43 | 689-8257Y-00-00 | .CAP | 1 | |

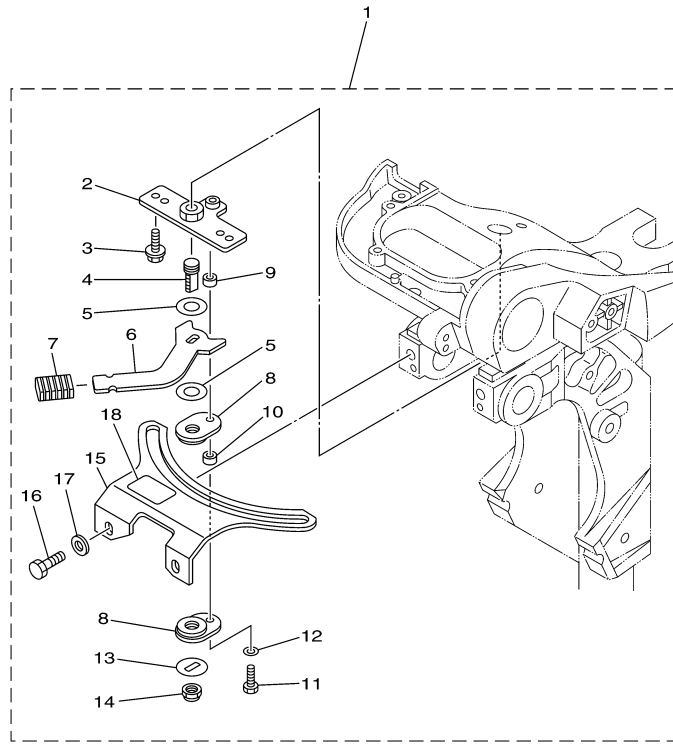
Part Notes

F20MLH 0409 / STEERING

| PART NUMBER | | NOTE TEXT |
|-----------------|---|--|
| 90468-18008-00 |  | OEM: This part number is among the Top 100 Most Popular Marine Maintenance Parts as of March 2014. |
| 682-82556-00-00 |  | OEM: This part number is among the Top 100 Most Popular Marine Maintenance Parts as of March 2014. |

©2014 Yamaha Motor Corporation, U.S.A. All rights reserved.

F20MLH 0409 / STEERING FRICTION



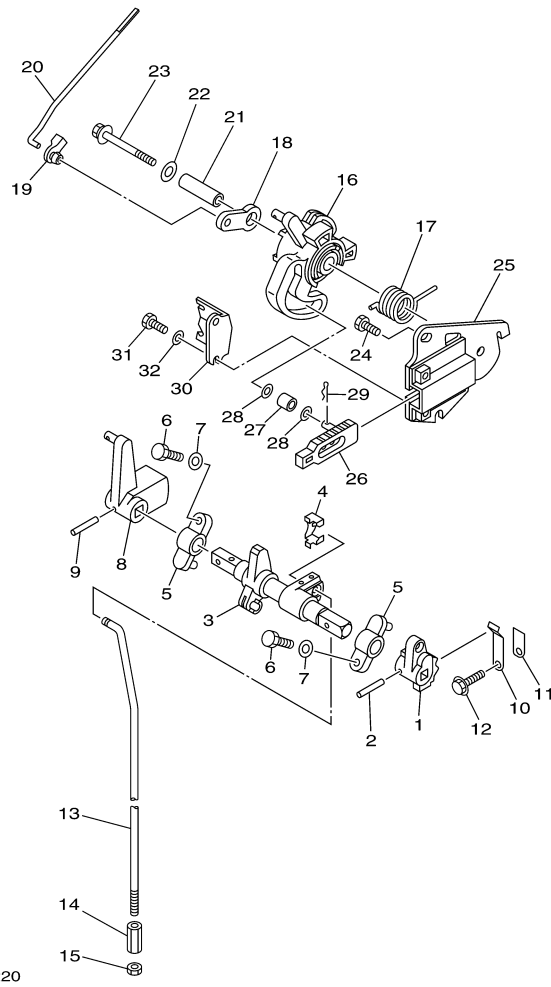
6AH1100-F210

Part List

F20MLH 0409 / STEERING FRICTION

| REF - NO | PART NUMBER | PART NAME | QUANTITY | REMARKS |
|----------------|-----------------|------------------------|----------|------------------|
| 1 | 6AH-42508-00-00 | STEERING FRICTION ASSY | 1 | |
| 2 | 68T-42525-01-00 | .PLATE, FRICTION | 1 | |
| 3 | 90119-05018-00 | .BOLT, WITH WASHER | 2 | |
| 4 | 67C-42562-00-00 | .SHAFT, STEERING LOCK | 1 | |
| 5 | 90202-10M56-00 | .WASHER, PLATE | 2 | |
| 6 | 68T-42561-00-00 | .KNOB, STEERING LOCK | 1 | |
| 7 | 689-43633-00-00 | .COVER, TILT LEVER | 1 | |
| 8 | 65W-42528-00-00 | .PLATE, FRICTION | 2 | |
| 9 | 90387-05M05-00 | .COLLAR | 1 | |
| 10 | 90387-05M11-00 | .COLLAR | 1 | |
| 11 | 97095-05020-00 | .BOLT | 1 | |
| 12 | 92995-05600-00 | .WASHER | 1 | |
| 13 | 90209-10M26-00 | .WASHER | 1 | |
| 14 | 90185-10M14-00 | .NUT, SELF-LOCKING | 1 | |
| 15 | 6AH-42527-00-00 | .PLATE, FRICTION | 1 | |
| 16 | 90101-08022-00 | .BOLT | 2 | |
| 17 | 90201-08065-00 | .WASHER, PLATE | 2 | |
| 18 | 68T-43155-00-00 | .MARK 1 | 1 | FOR 6AH-42508-00 |

F20MLH 0409 / CONTROL 1



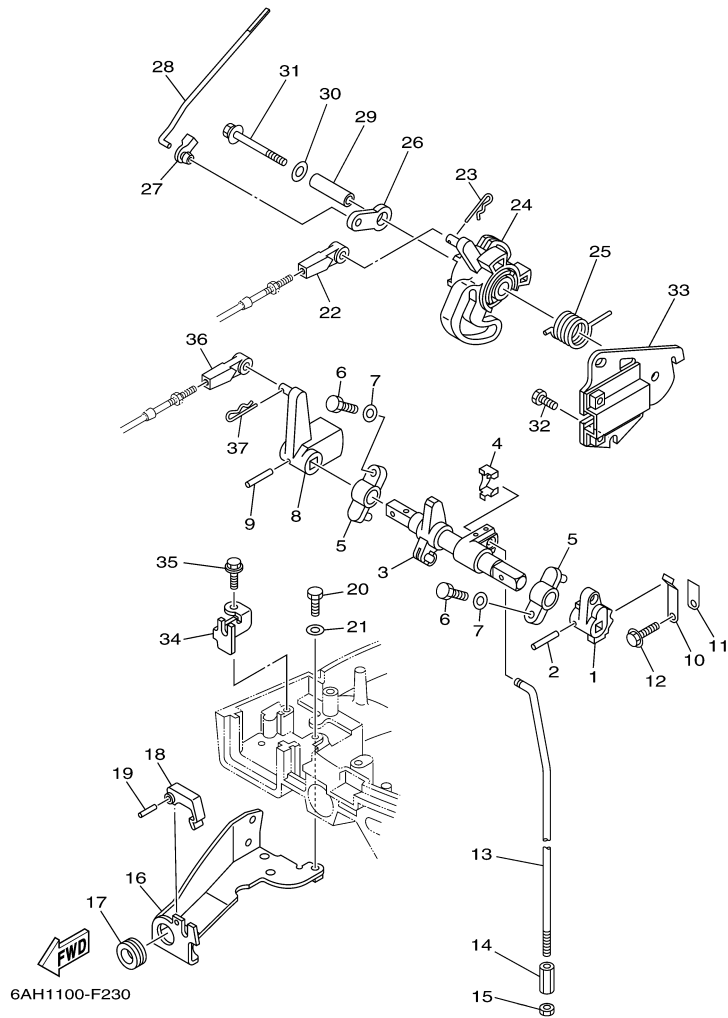
©2014 Yamaha Motor Corporation, U.S.A. All rights reserved.

Part List

F20MLH 0409 / CONTROL 1

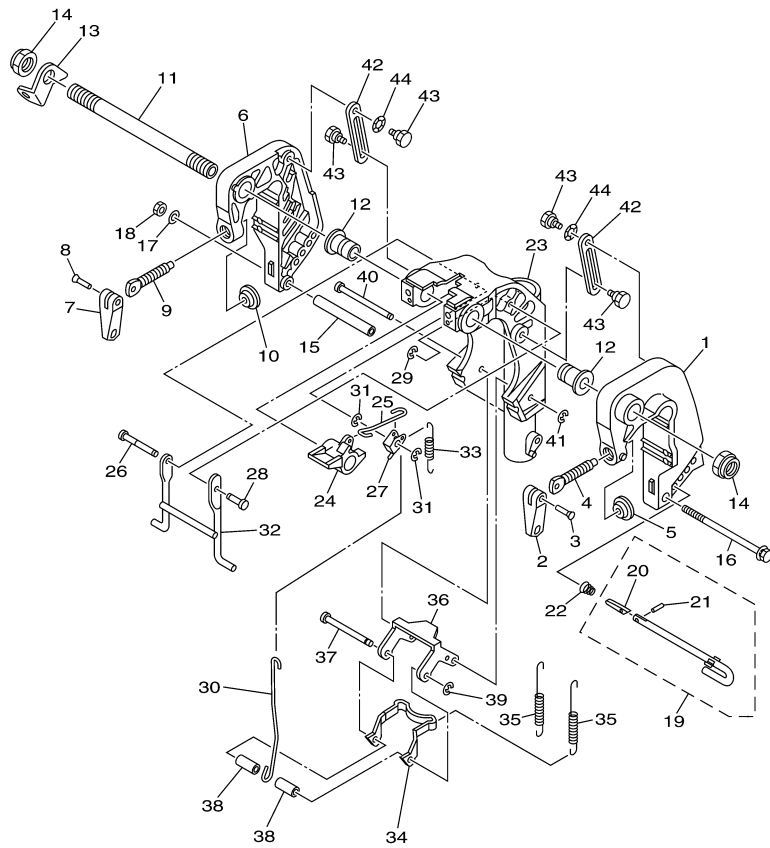
| REF - NO | PART NUMBER | PART NAME | QUANTITY | REMARKS |
|----------------|-----------------|---------------------|----------|----------|
| 1 | 6AH-44123-00-00 | ARM, SHIFT ROD | 1 | |
| 2 | 90254-03M05-00 | PIN, SPRING | 1 | |
| 3 | 6AH-44121-00-00 | LEVER, SHIFT ROD | 1 | |
| 4 | 6AH-26364-00-00 | END, CABLE 2 | 1 | |
| 5 | 6G1-41662-01-94 | BRACKET 2 | 2 | |
| 6 | 97095-06020-00 | BOLT | 2 | |
| 7 | 92995-06600-00 | WASHER | 2 | |
| 8 | 6AH-44125-00-00 | LEVER, SHIFT ROD | 1 | |
| 9 | 90254-03M05-00 | PIN, SPRING | 1 | |
| 10 | 65W-44116-00-00 | SPRING | 1 | |
| 11 | 66R-44114-00-00 | STOPPER | 1 | |
| 12 | 95895-06014-00 | BOLT, FLANGE | 1 | |
| 13 | 6AH-44143-10-00 | ROD, SHIFT | 1 | L(22.1") |
| 14 | 90170-06015-00 | NUT | 1 | |
| 15 | 95380-06700-00 | NUT | 1 | |
| 16 | 6AH-41638-00-00 | PULLEY | 1 | |
| 17 | 90508-20M44-00 | SPRING, TORSION | 1 | |
| 18 | 65W-41283-00-00 | .LEVER, FREE ACCEL. | 1 | |
| 19 | 6J8-41262-00-00 | JOINT, CHOKE LEVER | 1 | |
| 20 | 6AH-41211-00-00 | LINK, ACCEL. | 1 | |
| 21 | 90387-06139-00 | .COLLAR | 1 | |
| 22 | 90201-06M31-00 | .WASHER, PLATE | 1 | |
| 23 | 97595-06555-00 | BOLT, WITH WASHER | 1 | |
| 24 | 97095-06014-00 | BOLT | 2 | |
| 25 | 6AH-14571-00-00 | BRACKET, THROTTLE | 1 | |
| 26 | 6AH-44167-00-00 | PLUNGER, SHIFT CAM | 1 | |
| 27 | 62Y-42171-00-00 | BUSHING | 1 | |
| 28 | 90201-05M04-00 | WASHER, PLATE | 2 | |
| 29 | 90468-10005-00 | CLIP | 1 | |
| 30 | 6AH-14497-00-00 | STAY, THROTTLE WIRE | 1 | |
| 31 | 97095-06014-00 | BOLT | 2 | |
| 32 | 92995-06600-00 | WASHER | 2 | |

F20MLH 0409 / CONTROL 2



©2014 Yamaha Motor Corporation, U.S.A. All rights reserved.

F20MLH 0409 / BRACKET 1



6AH1300-F230


Part List

F20MLH 0409 / BRACKET 1

| REF - NO | PART NUMBER | PART NAME | QUANTITY | REMARKS |
|----------------|-----------------|-----------------------|----------|----------|
| 1 | 6AH-43111-00-4D | BRACKET, CLAMP 1 | 1 | |
| 2 | 6E0-43118-01-00 | HANDLE, TRANSOM CLAMP | 1 | |
| 3 | 90243-04M01-00 | PIN | 1 | |
| 4 | 6E7-43116-00-00 | SCREW, TRANSOM CLAMP | 1 | |
| 5 | 648-43114-01-00 | PAD, TRANSOM CLAMP | 1 | |
| 6 | 6AH-43112-00-4D | BRACKET, CLAMP 2 | 1 | |
| 7 | 6E0-43118-01-00 | HANDLE, TRANSOM CLAMP | 1 | |
| 8 | 90243-04M01-00 | PIN | 1 | |
| 9 | 6E7-43116-00-00 | SCREW, TRANSOM CLAMP | 1 | |
| 10 | 648-43114-01-00 | PAD, TRANSOM CLAMP | 1 | |
| 11 | 63W-43131-01-00 | BOLT, CLAMP BRACKET | 1 | |
| 12 | 90386-22MA4-00 | BUSH | 2 | |
| 13 | 66R-43113-00-00 | PLATE, CLAMP BRACKET | 1 | |
| 14 | 90185-22043-00 | NUT, SELF-LOCKING | 2 | |
| 15 | 90387-06M13-00 | COLLAR | 1 | |
| 16 | 90101-06M18-00 | BOLT | 1 | |
| 17 | 92990-06600-00 | WASHER, PLATE | 1 | |
| 18 | 95380-06700-00 | NUT | 1 | |
| 19 | 6L2-43160-01-00 | TILT ROD ASSY | 1 | |
| 20 | 689-43165-00-00 | .PLATE, TILT LOCK | 1 | |
| 21 | 91690-30008-00 | .PIN, SPRING | 1 | |
| 22 | 90502-10M07-00 | SPRING, CONICAL | 1 | |
| 23 | 6AH-43311-10-4D | BRACKET, SWIVEL 1 | 1 | L(22.1") |
| 24 | 6AH-43631-00-00 | LEVER, TILT | 1 | |
| 25 | 6AH-43616-00-00 | ROD, TILT LOCK | 1 | |
| 26 | 6AH-43646-00-00 | SHAFT, LEVER | 1 | |
| 27 | 6AH-43641-00-00 | LEVER, TILT | 1 | |
| 28 | 6AH-43191-00-00 | SHAFT, STOPPER | 1 | |
| 29 | 99080-05600-00 | CIRCLIP | 1 | |
| 30 | 6AH-43617-00-00 | ROD, TILT LOCK | 1 | |
| 31 | 99080-05600-00 | CIRCLIP | 2 | |
| 32 | 6AH-43350-00-00 | RECEIVER ASSY | 1 | |
| 33 | 90506-18014-00 | SPRING, TENSION | 1 | |
| 34 | 6AH-43614-00-00 | PLATE, TILT LOCK | 1 | |
| 35 | 90506-20020-00 | SPRING, TENSION | 2 | |
| 36 | 6AH-43615-00-00 | PLATE, TILT LOCK | 1 | |
| 37 | 68T-43611-00-00 | SHAFT, TILT LOCK | 1 | |
| 38 | 90387-06138-00 | COLLAR | 2 | |
| 39 | 93430-04M03-00 | CIRCLIP | 1 | |
| 40 | 68T-43659-00-00 | SHAFT, REVERSE LOCK | 1 | |
| 41 | 99080-05600-00 | CIRCLIP | 1 | |
| 42 | 6AH-43627-00-00 | STOPPER | 2 | |
| 43 | 90109-06M84-00 | BOLT | 4 | |
| 44 | 90206-10M24-00 | WASHER, WAVE | 2 | |

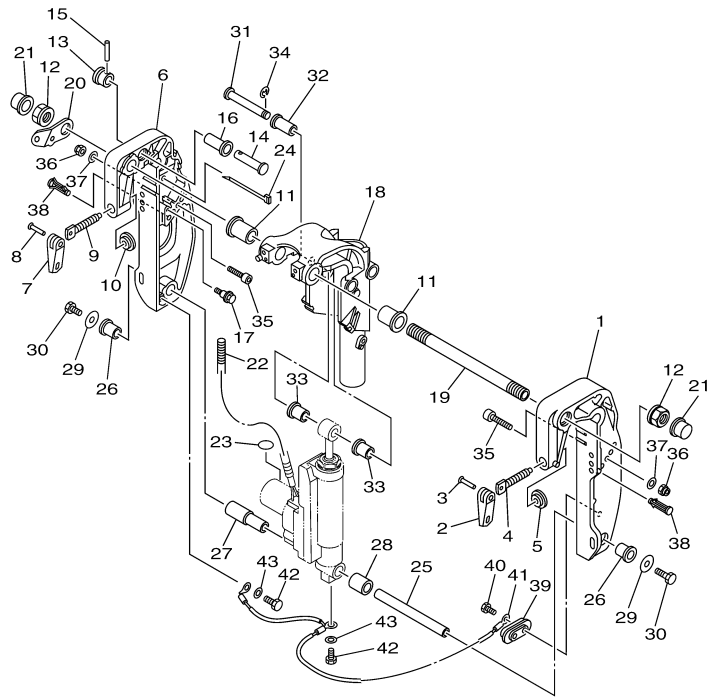
Part Notes

F20MLH 0409 / BRACKET 1

| PART NUMBER | NOTE TEXT |
|--|--|
| 92990-06600-00  | OEM: This part number is among the Top 100 Most Popular Marine Maintenance Parts as of March 2014. |

©2014 Yamaha Motor Corporation, U.S.A. All rights reserved.

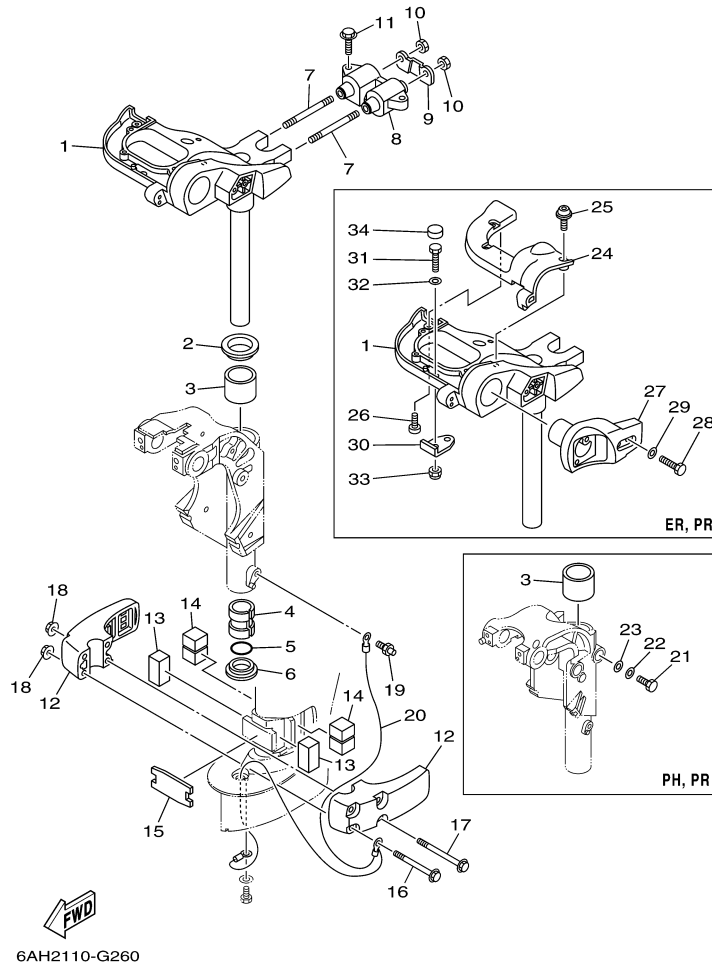
F20MLH 0409 / BRACKET 2



6AH1300-F240

©2014 Yamaha Motor Corporation, U.S.A. All rights reserved.

F20MLH 0409 / BRACKET 3

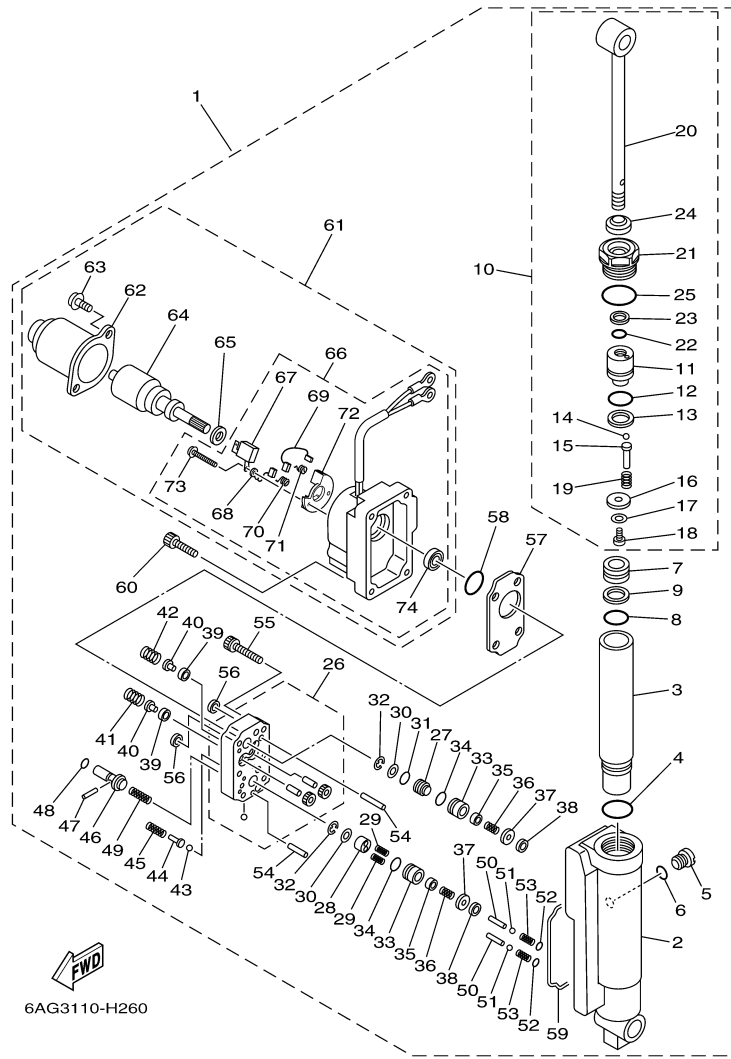


Part List

F20MLH 0409 / BRACKET 3

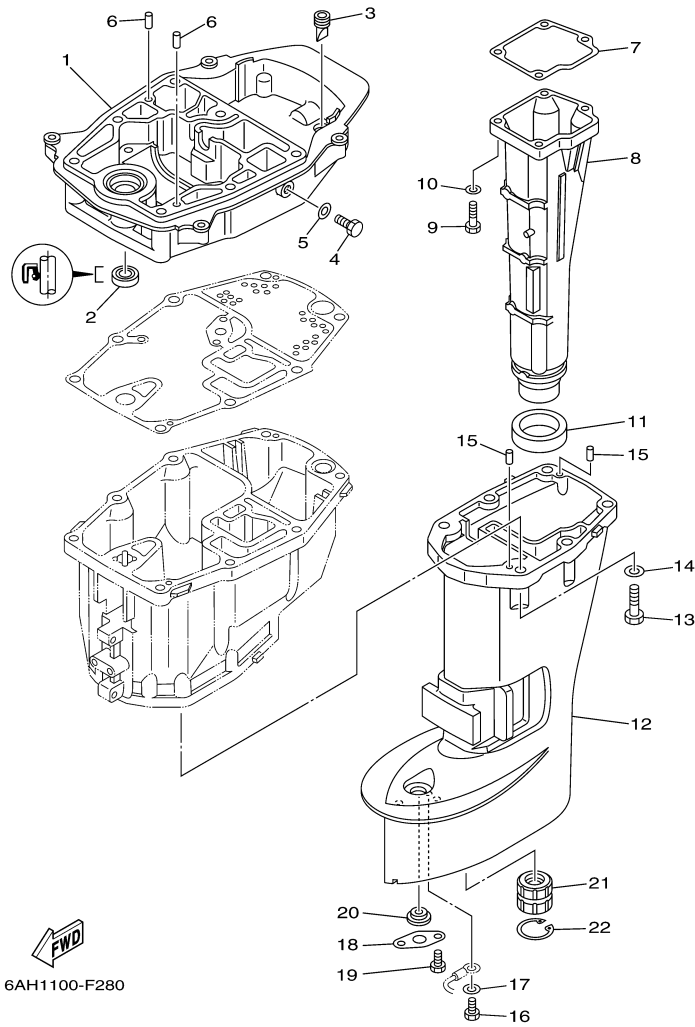
| REF - NO | PART NUMBER | PART NAME | QUANTITY | REMARKS |
|----------------|-----------------|----------------------------------|----------|----------|
| 1 | 6AH-42510-10-4D | STEERING BRACKET ASSY | 1 | L(22.1") |
| 2 | 90209-40008-00 | WASHER | 1 | |
| 3 | 90386-40001-00 | BUSH | 1 | |
| 4 | 90386-30048-00 | BUSH | 1 | |
| 5 | 93210-29M94-00 | O-RING | 1 | |
| 6 | 90386-30M60-00 | BUSH | 1 | |
| 7 | 90116-10033-00 | BOLT, STUD | 2 | |
| 8 | 6AH-44514-00-94 | MOUNT DAMPER, UPPER SIDE | 1 | |
| 9 | 6AH-44526-00-00 | PLATE | 1 | |
| 10 | 95380-10600-00 | NUT | 2 | |
| 11 | 90119-08094-00 | BOLT, WITH WASHER | 2 | |
| 12 | 6AH-44551-00-4D | HOUSING, LOWER MOUNT RUBBER 1 | 2 | |
| 13 | 6AH-44557-00-00 | MOUNT DAMPER, LOWER FRONT | 2 | |
| 14 | 6AH-44555-00-00 | MOUNT DAMPER, LOWER SIDE | 2 | |
| 15 | 6AH-44574-00-00 | STOPPER, LOWER MOUNT RUBBER | 1 | |
| 16 | 90119-08M45-00 | BOLT, WITH WASHER | 2 | |
| 17 | 90119-08M46-00 | BOLT, WITH WASHER | 2 | |
| 18 | 90179-08M34-00 | NUT | 4 | |
| 19 | 93700-06M03-00 | NIPPLE, GREASE | 1 | |
| 20 | 6AH-82127-00-00 | WIRE, LEAD 2 | 1 | |

F20MLH 0409 / POWER TILT ASSY



6AG3110-H260

F20MLH 0409 / UPPER CASING



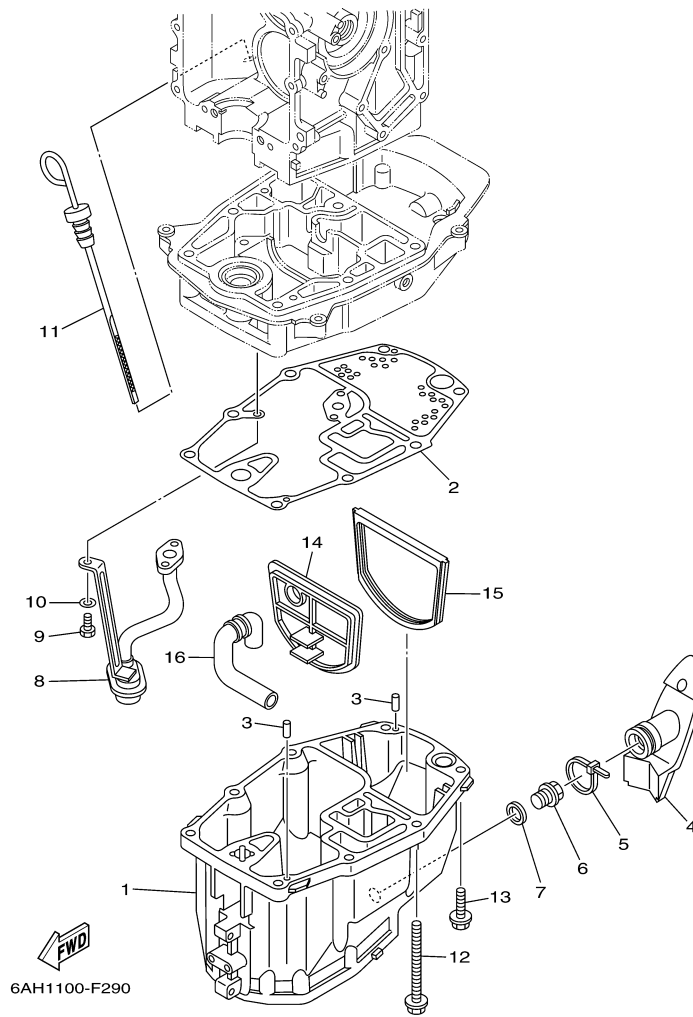

6AH1100-F280

Part List

F20MLH 0409 / UPPER CASING

| REF - NO | PART NUMBER | PART NAME | QUANTITY | REMARKS |
|----------------|-----------------|------------------------------|----------|----------|
| 1 | 6AH-41137-00-5B | GUIDE, EXHAUST | 1 | |
| 2 | 93101-12M63-00 | .OIL SEAL | 1 | |
| 3 | 65W-42717-00-00 | RUBBER, SEAL 2 | 1 | |
| 4 | 97095-08014-00 | BOLT | 1 | |
| 5 | 90430-08143-00 | GASKET | 1 | |
| 6 | 93606-19M23-00 | PIN, DOWEL | 2 | |
| 7 | 6AH-41134-00-00 | .GASKET, EXHAUST MANIFOLD | 1 | |
| 8 | 6AH-14711-10-5B | MUFFLER 1 | 1 | L(22.1") |
| 9 | 97075-06025-00 | BOLT | 4 | |
| 10 | 92995-06600-00 | WASHER | 4 | |
| 11 | 6AH-41138-00-00 | .SEAL, EXT. 1 | 1 | |
| 12 | 6AH-45111-10-4D | CASING, UPPER | 1 | L(22.1") |
| 13 | 97075-08030-00 | BOLT | 6 | |
| 14 | 92995-08600-00 | WASHER | 6 | |
| 15 | 93604-12M07-00 | PIN, DOWEL | 2 | |
| 16 | 97095-05010-00 | BOLT | 1 | |
| 17 | 92995-05600-00 | WASHER | 1 | |
| 18 | 68T-45321-00-00 | PLATE | 1 | |
| 19 | 97095-06008-00 | BOLT | 1 | |
| 20 | 90480-14M54-00 | GROMMET | 1 | |
| 21 | 682-45318-00-00 | BUSHING, DRIVE SHAFT | 1 | L(22.1") |
| 22 | 93420-30042-00 | CIRCLIP | 1 | L(22.1") |

F20MLH 0409 / OIL PAN



©2014 Yamaha Motor Corporation, U.S.A. All rights reserved.


Part List

F20MLH 0409 / OIL PAN

| REF - NO | PART NUMBER | PART NAME | QUANTITY | REMARKS |
|----------------|-----------------|-----------------------|----------|---------|
| 1 | 6AH-15311-00-5B | OIL PAN | 1 | |
| 2 | 6AH-15312-00-00 | .GASKET, OIL PAN | 1 | |
| 3 | 93604-12M07-00 | PIN, DOWEL | 2 | |
| 4 | 6AH-15316-00-00 | DAMPER 1 | 1 | |
| 5 | 90465-11M59-00 | CLAMP | 1 | |
| 6 | 90340-14M06-00 | PLUG, STRAIGHT SCREW | 1 | |
| 7 | 90430-14M09-00 | .GASKET | 1 | |
| 8 | 6AH-13411-00-00 | STRAINER, OIL | 1 | |
| 9 | 97013-06016-00 | BOLT | 3 | |
| 10 | 92903-06600-00 | WASHER, PLATE | 3 | |
| 11 | 6AH-15362-00-00 | PLUG, OIL LEVEL | 1 | |
| 12 | 90119-08103-00 | BOLT, WITH WASHER | 6 | |
| 13 | 90119-08102-00 | BOLT, WITH WASHER | 2 | |
| 14 | 6AH-45126-00-00 | .PLATE, SEAL DAMPER | 1 | |
| 15 | 6AH-45115-00-00 | .GASKET, UPPER CASING | 1 | |
| 16 | 6AH-45135-00-00 | PIPE | 1 | |

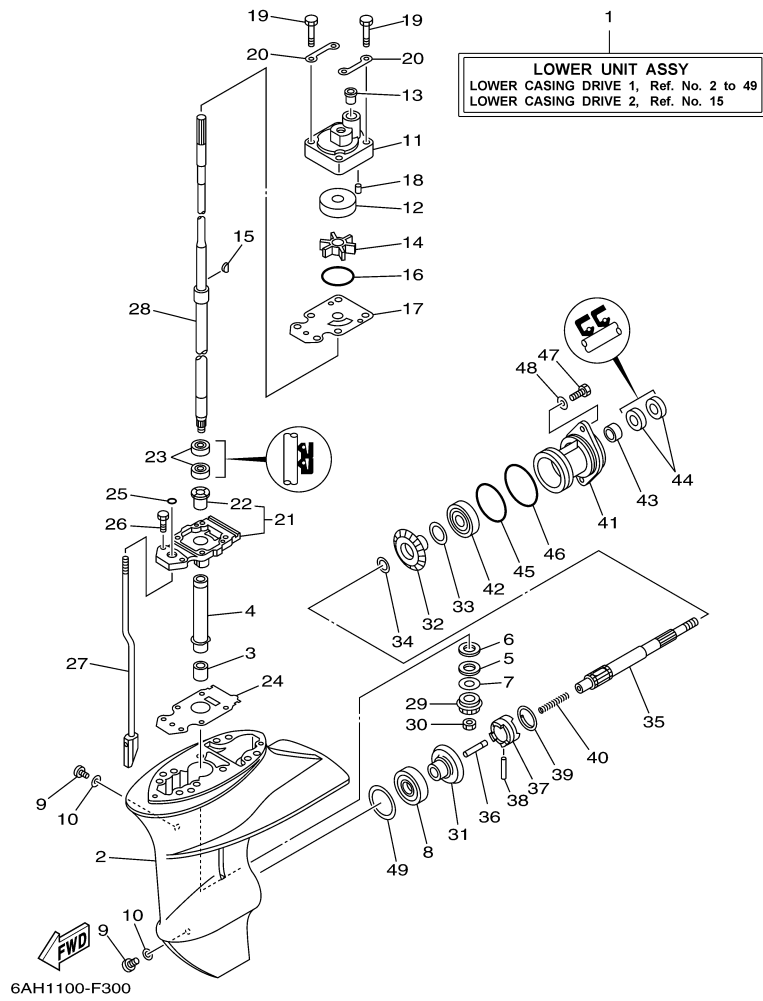
Part Notes

F20MLH 0409 / OIL PAN

| PART NUMBER | NOTE TEXT |
|--|--|
| 90430-14M09-00  | OEM: This part number is among the Top 100 Most Popular Marine Maintenance Parts as of March 2014. |

©2014 Yamaha Motor Corporation, U.S.A. All rights reserved.

F20MLH 0409 / LOWER CASING DRIVE 1



©2014 Yamaha Motor Corporation, U.S.A. All rights reserved.


Part List

F20MLH 0409 / LOWER CASING DRIVE 1

| REF - NO | PART NUMBER | PART NAME | QUANTITY | REMARKS |
|----------|-----------------|-------------------------|----------|----------|
| 1 | 6AH-45300-10-4D | LOWER UNIT ASSY | 1 | L(22.1") |
| 2 | 6AH-45311-00-4D | CASING, LOWER | 1 | |
| 3 | 93315-314V8-00 | BEARING | 1 | |
| 4 | 63V-45536-00-00 | SLEEVE, DRIVE SHAFT | 1 | |
| 5 | 90209-14011-00 | WASHER | 1 | |
| 6 | 90201-15017-00 | WASHER, PLATE | 1 | |
| 7 | 6E8-45587-30-00 | SHIM (T:1.20MM) | 1 | UR |
| 7 | 6E8-45587-10-00 | SHIM (T:1.13MM) | 1 | UR |
| 8 | 93332-00005-00 | BEARING | 1 | |
| 9 | 90340-08002-00 | PLUG, STRAIGHT SCREW | 2 | |
| 10 | 90430-08020-00 | .GASKET | 2 | |
| 11 | 6AH-44311-00-00 | .HOUSING, WATER PUMP | 1 | |
| 12 | 63V-44322-00-00 | .INSERT, CARTRIDGE | 1 | |
| 13 | 6L2-44367-00-00 | .DAMPER, WATER SEAL 3 | 1 | |
| 14 | 63V-44352-01-00 | .IMPELLER | 1 | |
| 15 | 664-44338-00-00 | .KEY, WOODRUFF | 1 | |
| 16 | 93210-49046-00 | .O-RING | 1 | |
| 17 | 68T-44323-00-00 | .OUTER PLATE, CARTRIDGE | 1 | |
| 18 | 93604-12M07-00 | PIN, DOWEL | 2 | |
| 19 | 97080-08045-00 | BOLT | 4 | |
| 20 | 63V-44328-00-00 | PLATE | 2 | |
| 21 | 69G-45331-01-5B | HOUSING, BEARING | 1 | |
| 22 | 626-45316-09-00 | .BUSHING, DRIVE SHAFT | 1 | |
| 23 | 93101-20001-00 | .OIL SEAL | 2 | |
| 24 | 69G-45315-A0-00 | .PACKING, LOWER CASING | 1 | |
| 25 | 93210-06ME6-00 | .O-RING | 1 | |
| 26 | 97080-08025-00 | BOLT | 2 | |
| 27 | 6AH-44150-10-00 | SHIFT CAM ASSY | 1 | L(22.1") |
| 28 | 6AH-45510-10-00 | DRIVE SHAFT ASSY | 1 | L(22.1") |
| 29 | 63V-45551-00-00 | PINION (13T) | 1 | |
| 30 | 90179-08M06-00 | NUT | 1 | |
| 31 | 6E7-45560-01-00 | GEAR 1 (27T) | 1 | |
| 32 | 6E7-45571-00-00 | GEAR 2 (27T) | 1 | |
| 33 | 626-45577-00-00 | SHIM (T:0.10MM) | 1 | UR |
| 33 | 626-45577-10-00 | SHIM (T:0.20MM) | 1 | UR |
| 33 | 626-45577-40-00 | SHIM (T:0.50MM) | 1 | UR |
| 33 | 626-45577-30-00 | SHIM (T:0.40MM) | 1 | UR |
| 33 | 626-45577-20-00 | SHIM (T:0.30MM) | 1 | UR |
| 34 | 90201-17682-00 | WASHER, PLATE | 1 | |
| 35 | 683-45611-00-00 | SHAFT, PROPELLER | 1 | |
| 36 | 650-45635-00-00 | PLUNGER, SHIFT | 1 | |
| 37 | 682-45631-00-00 | CLUTCH, DOG | 1 | |
| 38 | 90250-05010-00 | PIN, STRAIGHT | 1 | |
| 39 | 648-45633-00-00 | RING, CROSS PIN | 1 | |
| 40 | 90501-150A0-00 | SPRING, COMPRESSION | 1 | |
| 41 | 683-45361-02-4D | CAP, LOWER CASING | 1 | |
| 42 | 93306-00501-00 | BEARING | 1 | |
| 43 | 93315-317U2-00 | BEARING | 1 | |
| 44 | 93101-17054-00 | .OIL SEAL | 2 | |
| 45 | 93210-57M09-00 | .O-RING | 1 | |
| 46 | 93210-56M80-00 | .O-RING | 1 | |
| 47 | 97075-06020-00 | BOLT | 2 | |
| 48 | 92995-06600-00 | WASHER | 2 | |
| 49 | 664-45567-01-00 | SHIM (T:0.10MM) | 1 | UR |
| 49 | 664-45567-10-00 | SHIM (T:0.12MM) | 1 | UR |
| 49 | 664-45567-20-00 | SHIM (T:0.15MM) | 1 | UR |
| 49 | 664-45567-60-00 | SHIM (T:0.50MM) | 1 | UR |
| 49 | 664-45567-40-00 | SHIM (T:0.30MM) | 1 | UR |
| 49 | 664-45567-50-00 | SHIM (T:0.40MM) | 1 | UR |
| 49 | 664-45567-30-00 | SHIM (T:0.18MM) | 1 | UR |

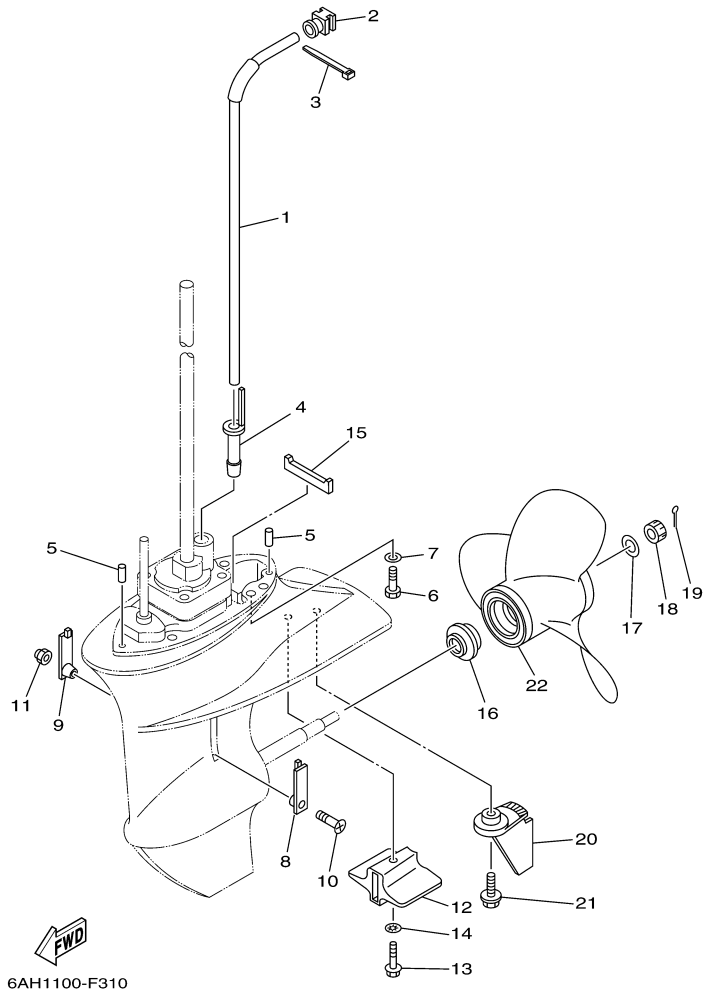
Part Notes

F20MLH 0409 / LOWER CASING DRIVE 1

| PART NUMBER | | NOTE TEXT |
|----------------|---|--|
| 90430-08020-00 |  | OEM: This part number is among the Top 100 Most Popular Marine Maintenance Parts as of March 2014. |

©2014 Yamaha Motor Corporation, U.S.A. All rights reserved.

F20MLH 0409 / LOWER CASING DRIVE 2



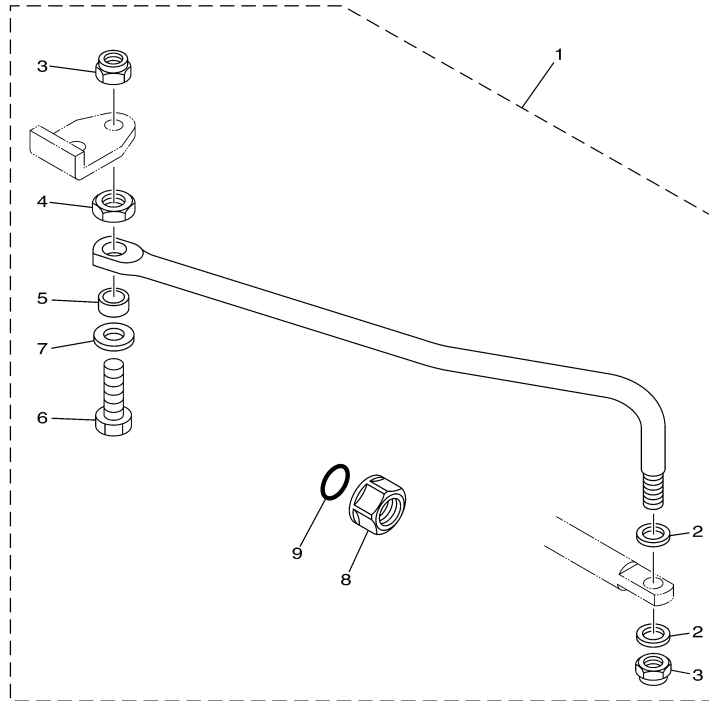
©2014 Yamaha Motor Corporation, U.S.A. All rights reserved.

Part List

F20MLH 0409 / LOWER CASING DRIVE 2

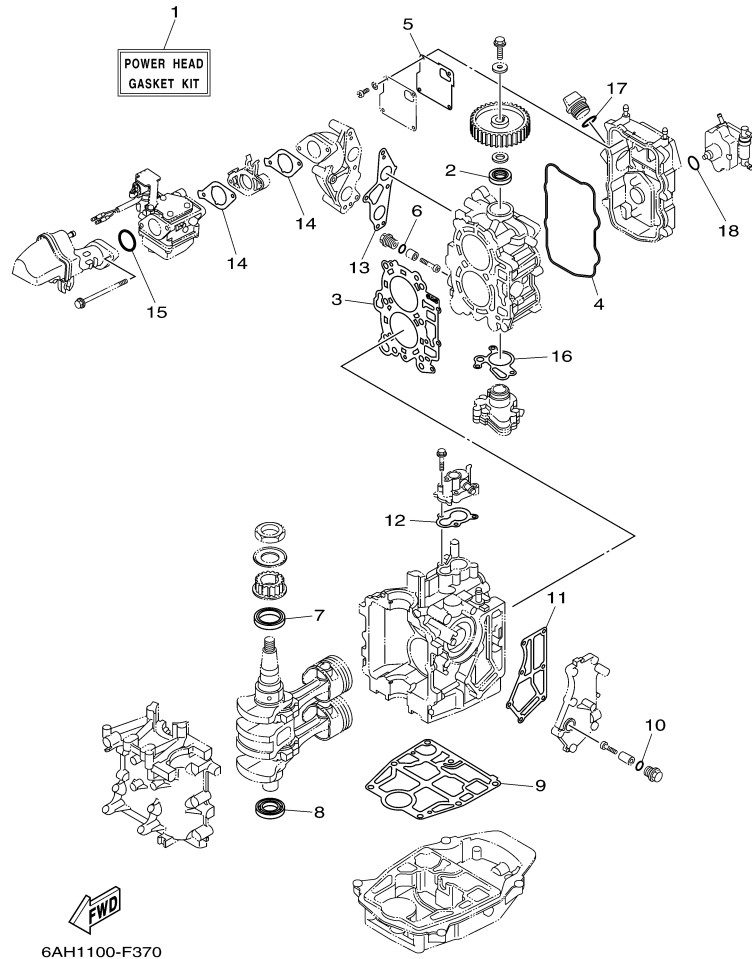
| REF - NO | PART NUMBER | PART NAME | QUANTITY | REMARKS |
|----------------|-----------------|--------------------------------|----------|----------|
| 1 | 6AH-44361-10-00 | TUBE, WATER | 1 | L(22.1") |
| 2 | 6AH-44365-00-00 | .DAMPER, WATER SEAL 1 | 1 | |
| 3 | 90465-11M10-00 | CLAMP | 1 | |
| 4 | 6AH-44368-00-00 | .RUBBER, WATER SEAL 4 | 1 | |
| 5 | 93604-12M07-00 | PIN, DOWEL | 2 | |
| 6 | 97075-08030-00 | BOLT | 4 | |
| 7 | 92995-08600-00 | WASHER | 4 | |
| 8 | 6G1-45214-00-00 | COVER, WATER INLET 1 | 1 | |
| 9 | 63V-45215-00-00 | COVER, WATER INLET 2 | 1 | |
| 10 | 90152-05M04-00 | SCREW, COUNTERSUNK | 1 | |
| 11 | 90185-05002-00 | NUT, NYLON | 1 | |
| 12 | 6AH-45251-00-00 | ANODE | 1 | |
| 13 | 95895-06035-00 | BOLT, FLANGE | 1 | |
| 14 | 92990-06300-00 | WASHER, INTERNAL TOOTH | 1 | |
| 15 | 63V-45375-00-00 | DAMPER, SEAL | 1 | |
| 16 | 6E7-45987-01-00 | SPACER 1 | 1 | |
| 17 | 90201-10M01-00 | WASHER, PLATE | 1 | |
| 18 | 90171-10M01-00 | NUT, CASTLE | 1 | |
| 19 | 91490-30020-00 | PIN. COTTER | 1 | |
| 20 | 6AH-45371-00-4D | TAB-TRIM | 1 | |
| 21 | 90119-06M88-00 | BOLT, WITH WASHER | 1 | |
| 22 | 683-45943-00-EL | PROPELLER (3X9-1/4"X10-1/2"-J) | 1 | UR |
| 22 | 683-45952-00-EL | PROPELLER (3X9-1/4"X9-3/4"-J) | 1 | UR |
| 22 | 683-45941-00-EL | PROPELLER (3X9-1/4"X12"-J) | 1 | UR |
| 22 | 63V-45952-10-EL | PROPELLER (3X9-1/4"X10"-J1) | 1 | UR |
| 22 | 63V-45943-10-EL | PROPELLER (3X9-1/4"X11"-J1) | 1 | UR |
| 22 | 63V-45945-10-EL | PROPELLER (3X9-1/4"X9"-J1) | 1 | UR |
| 22 | 63V-45941-10-EL | PROPELLER (3X9-1/4"X12"-J1) | 1 | UR |

F20MLH 0409 / STEERING GUIDE



6AH1100-F341

F20MLH 0409 / REPAIR KIT 1



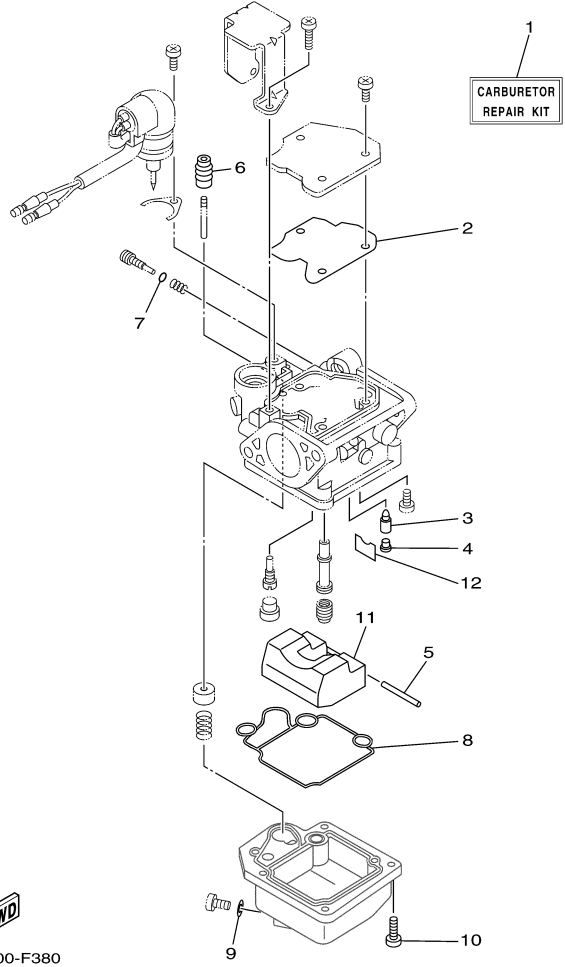
©2014 Yamaha Motor Corporation, U.S.A. All rights reserved.

Part List

F20MLH 0409 / REPAIR KIT 1

| REF - NO | PART NUMBER | PART NAME | QUANTITY | REMARKS |
|----------------|-----------------|---------------------------------|----------|---------|
| 1 | 6AG-W0001-00-00 | POWER HEAD GASKET KIT | 1 | |
| 2 | 93102-22009-00 | .OIL SEAL | 1 | |
| 3 | 6AG-11181-00-00 | .GASKET, CYLINDER HEAD 1 | 1 | |
| 4 | 6AH-11356-00-00 | .SEAL, CYLINDER 2 | 1 | |
| 5 | 6AH-11169-00-00 | .GASKET, BREATHER COVER | 1 | |
| 6 | 93210-13M63-00 | .O-RING | 2 | |
| 7 | 93102-37004-00 | .OIL SEAL | 1 | |
| 8 | 93102-25014-00 | .OIL SEAL | 1 | |
| 9 | 6AH-11351-00-00 | .GASKET, CYLINDER | 1 | |
| 10 | 93210-13M63-00 | .O-RING | 1 | |
| 11 | 6AH-41114-00-00 | .GASKET, EXHAUST OUTER COVER | 1 | |
| 12 | 6AH-12414-00-00 | .GASKET, COVER | 1 | |
| 13 | 6AH-13645-00-00 | .GASKET, MANIFOLD 1 | 1 | |
| 14 | 6AH-13646-00-00 | .GASKET, MANIFOLD 2 | 2 | |
| 15 | 93210-35M86-00 | .O-RING | 1 | |
| 16 | 6AH-13329-00-00 | .GASKET, PUMP COVER | 1 | |
| 17 | 93210-24M79-00 | .O-RING | 1 | |
| 18 | 93210-20M65-00 | .O-RING | 1 | |

F20MLH 0409 / REPAIR KIT 2



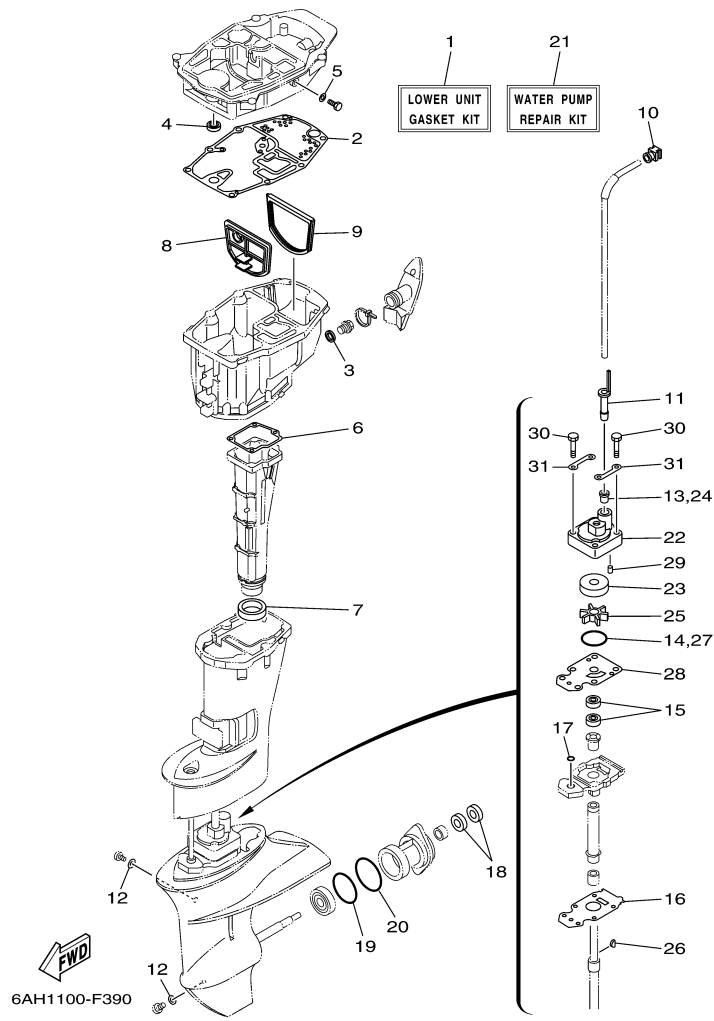

6AH1100-F380
Rev. 3-20-2012

Part List

F20MLH 0409 / REPAIR KIT 2

| REF - NO | PART NUMBER | PART NAME | QUANTITY | REMARKS |
|----------------|-----------------|------------------------|----------|---------|
| 1 | 6AH-W0093-00-00 | CARBURETOR REPAIR KIT | 1 | |
| 2 | 65W-14126-10-00 | .GASKET | 1 | |
| 3 | 6G1-14546-01-00 | .VALVE, NEEDLE | 1 | |
| 4 | 676-14186-00-00 | .PIN, FLOAT | 1 | |
| 5 | 6H4-14548-00-00 | .PIN, FLOAT ARM | 1 | |
| 6 | 65W-14373-01-00 | .COVER, PLUNGER CAP | 1 | |
| 7 | 67C-14397-00-00 | .O-RING | 1 | |
| 8 | 6AH-14384-00-00 | .GASKET, FLOAT CHAMBER | 1 | |
| 9 | 65W-14398-00-00 | .GASKET | 1 | |
| 10 | 97980-04114-00 | .SCREW, WITH WASHER | 4 | |
| 11 | 6AH-14985-00-00 | .FLOAT | 1 | |
| 12 | 663-14159-00-00 | .CLIP | 1 | |

F20MLH 0409 / REPAIR KIT 3



©2014 Yamaha Motor Corporation, U.S.A. All rights reserved.



Part List

F20MLH 0409 / REPAIR KIT 3

| REF - NO | PART NUMBER | PART NAME | QUANTITY | REMARKS |
|----------|-----------------|---------------------------|----------|---------|
| 1 | 6AH-W0001-20-00 | LOWER UNIT GASKET KIT | 1 | |
| 2 | 6AH-15312-00-00 | .GASKET, OIL PAN | 1 | |
| 3 | 90430-14M09-00 | .GASKET | 1 | |
| 4 | 93101-12M63-00 | .OIL SEAL | 1 | |
| 5 | 90430-08143-00 | .GASKET | 1 | |
| 6 | 6AH-41134-00-00 | .GASKET, EXHAUST MANIFOLD | 1 | |
| 7 | 6AH-41138-00-00 | .SEAL, EXT 1 | 1 | |
| 8 | 6AH-45126-00-00 | .PLATE, SEAL DAMPER | 1 | |
| 9 | 6AH-45115-00-00 | .GASKET, UPPER CASING | 1 | |
| 10 | 6AH-44365-00-00 | .DAMPER, WATER SEAL 1 | 1 | |
| 11 | 6AH-44368-00-00 | .RUBBER, WATER SEAL 4 | 1 | |
| 12 | 90430-08020-00 | .GASKET | 2 | |
| 13 | 6L2-44367-00-00 | .DAMPER, WATER SEAL 3 | 1 | |
| 14 | 93210-49046-00 | .O-RING | 1 | |
| 15 | 93101-20001-00 | .OIL SEAL | 2 | |
| 16 | 69G-45315-A0-00 | .PACKING, LOWER CASING | 1 | |
| 17 | 93210-06ME6-00 | .O-RING | 1 | |
| 18 | 93101-17054-00 | .OIL SEAL | 2 | |
| 19 | 93210-57M09-00 | .O-RING | 1 | |
| 20 | 93210-56M80-00 | .O-RING | 1 | |
| 21 | 6AH-W0078-00-00 | WATER PUMP REPAIR KIT | 1 | |
| 22 | 6AH-44311-00-00 | .HOUSING, WATER PUMP | 1 | |
| 23 | 63V-44322-00-00 | .INSERT, CARTRIDGE | 1 | |
| 24 | 6L2-44367-00-00 | .DAMPER, WATER SEAL 3 | 1 | |
| 25 | 63V-44352-01-00 | .IMPELLER | 1 | |
| 26 | 664-44338-00-00 | .KEY, WOODRUFF | 1 | |
| 27 | 93210-49046-00 | .O-RING | 1 | |
| 28 | 68T-44323-00-00 | .OUTER PLATE, CARTRIDGE | 1 | |
| 29 | 93604-12M07-00 | .PIN, DOWEL | 2 | |
| 30 | 97080-08045-00 | .BOLT | 4 | |
| 31 | 63V-44328-00-00 | .PLATE | 2 | |

Part Notes

F20MLH 0409 / REPAIR KIT 3

| PART NUMBER | NOTE TEXT |
|--|--|
| 90430-14M09-00  | OEM: This part number is among the Top 100 Most Popular Marine Maintenance Parts as of March 2014. |
| 90430-08020-00  | OEM: This part number is among the Top 100 Most Popular Marine Maintenance Parts as of March 2014. |

©2014 Yamaha Motor Corporation, U.S.A. All rights reserved.

©2014 Yamaha Motor Corporation, U.S.A. All rights reserved.