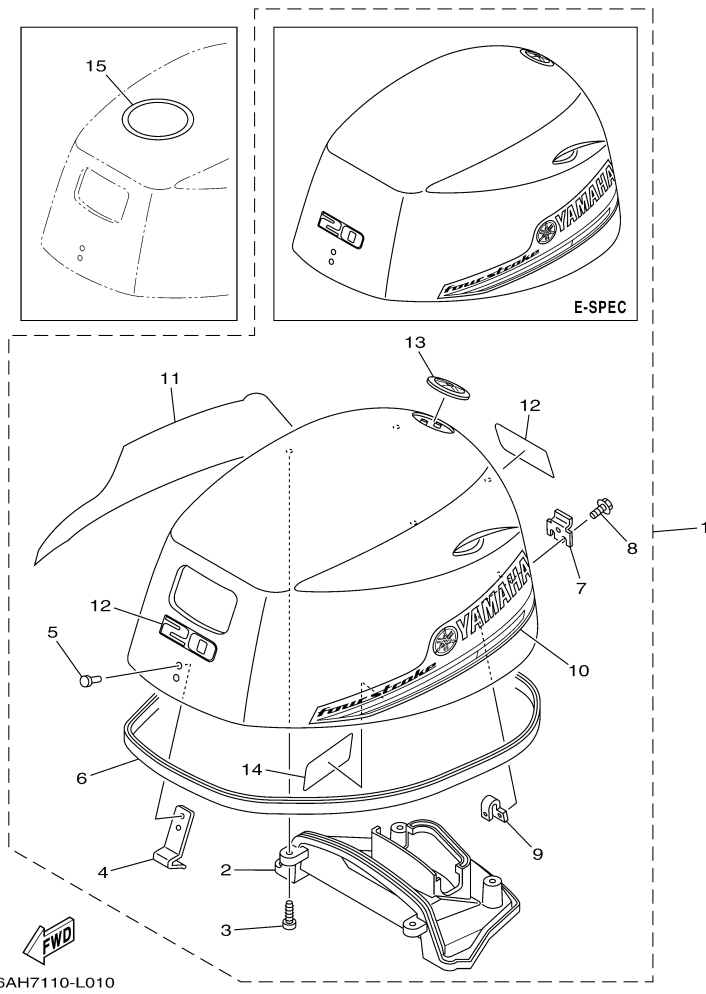


F20LPHA\_0112 / TOP COWLING



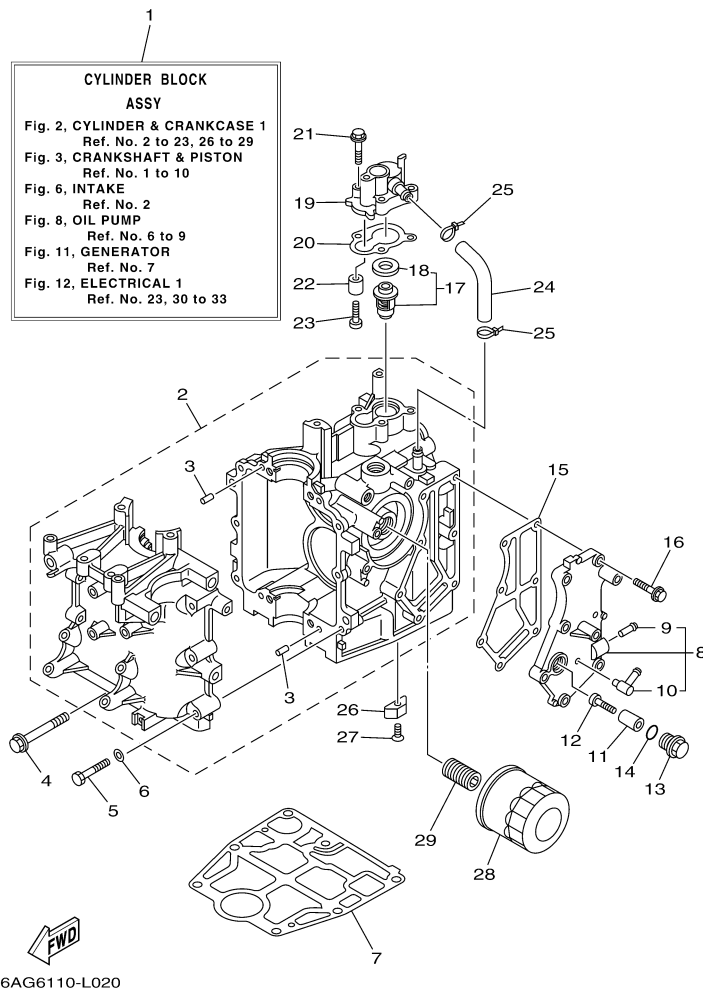
©2014 Yamaha Motor Corporation, U.S.A. All rights reserved.

## Part List

F20LPHA\_0112 / TOP COWLING

| REF<br>-<br>NO | PART<br>NUMBER  | PART NAME           | QUANTITY | REMARKS |
|----------------|-----------------|---------------------|----------|---------|
| 1              | 6AH-42610-81-00 | TOP COWLING ASSY    | 1        |         |
| 2              | 6AH-42613-00-00 | .MOLDING, AIR DUCT  | 1        |         |
| 3              | 97780-50616-00  | .SCREW, TAPPING     | 4        |         |
| 4              | 6AH-42651-00-00 | .HOOK               | 1        |         |
| 5              | 90266-06M02-00  | .RIVET              | 2        |         |
| 6              | 6AH-42615-00-00 | .SEAL               | 1        |         |
| 7              | 60R-42652-00-00 | .HOOK               | 1        |         |
| 8              | 97595-05514-00  | .BOLT, WITH WASHER  | 2        |         |
| 9              | 6AH-42649-00-00 | .HOLDER, CLAMP BAND | 1        |         |
| 10             | 6AG-42675-00-00 | .GRAPHIC, SIDE 1    | 1        |         |
| 11             | 6AG-42676-00-00 | .GRAPHIC, SIDE 2    | 1        |         |
| 12             | 6AH-42677-00-00 | .GRAPHIC, FRONT     | 2        |         |
| 13             | 6AH-42697-10-00 | .TUNING FORK MARK   | 1        |         |
| 14             | 6AH-42735-00-00 | .PROTECTOR          | 1        |         |
| 15             | 67F-13434-20-00 | LABEL, CAUTION      | 1        |         |

F20LPHA\_0112 / CYLINDER CRANKCASE 1



## Part List

F20LPHA\_0112 / CYLINDER CRANKCASE 1

| REF<br>-<br>NO | PART<br>NUMBER  | PART NAME                       | QUANTITY | REMARKS |
|----------------|-----------------|---------------------------------|----------|---------|
| 1              | 6AH-W009B-00-1S | CYLINDER BLOCK ASSY             | 1        |         |
| 2              | 6AH-15100-00-00 | CRANKCASE ASSY                  | 1        |         |
| 3              | 93606-12019-00  | .PIN, DOWEL                     | 4        |         |
| 4              | 90119-08093-00  | BOLT, WITH WASHER               | 4        |         |
| 5              | 97013-06040-00  | BOLT                            | 6        |         |
| 6              | 92903-06600-00  | WASHER, PLATE                   | 6        |         |
| 7              | 6AH-11351-00-00 | .GASKET, CYLINDER               | 1        |         |
| 8              | 6AH-41113-00-1S | OUTER COVER, EXHAUST            | 1        |         |
| 9              | 650-24378-00-00 | .PIPE, JOINT 4                  | 1        |         |
| 10             | 676-11372-00-00 | .NIPPLE, HOSE                   | 1        |         |
| 11             | 6G8-11325-00-00 | ANODE                           | 1        |         |
| 12             | 97880-05025-00  | SCREW, PAN HEAD                 | 1        |         |
| 13             | 6G8-11197-01-00 | PLUG, BLIND                     | 1        |         |
| 14             | 93210-13M63-00  | .O-RING                         | 1        |         |
| 15             | 6AH-41114-00-00 | .GASKET, EXHAUST OUTER<br>COVER | 1        |         |
| 16             | 90119-06MA3-00  | BOLT, WITH WASHER               | 7        |         |
| 17             | 6AH-12411-00-00 | THERMOSTAT                      | 1        |         |
| 18             | 688-12412-00-00 | .SEAL, THERMOSTAT               | 1        |         |
| 19             | 6AH-12413-00-1S | COVER, THERMOSTAT               | 1        |         |
| 20             | 6AH-12414-00-00 | .GASKET, COVER                  | 1        |         |
| 21             | 90119-06MA3-00  | BOLT, WITH WASHER               | 3        |         |
| 22             | 6G8-11325-00-00 | ANODE                           | 1        |         |
| 23             | 97880-05025-00  | SCREW, PAN HEAD                 | 1        |         |
| 24             | 6AH-12481-00-00 | PIPE 1                          | 1        |         |
| 25             | 90465-11M10-00  | CLAMP                           | 2        |         |
| 26             | 6E5-11325-00-00 | ANODE                           | 1        |         |
| 27             | 98780-04016-00  | SCREW, FLAT HEAD                | 1        |         |
| 28             | 5GH-13440-20-00 | ELEMENT ASSY, OIL<br>CLEANER    | 1        |         |
| 29             | 6C5-12858-00-00 | BOLT, UNION                     | 1        |         |

F20LPHA\_0112 / CRANKSHAFT PISTON



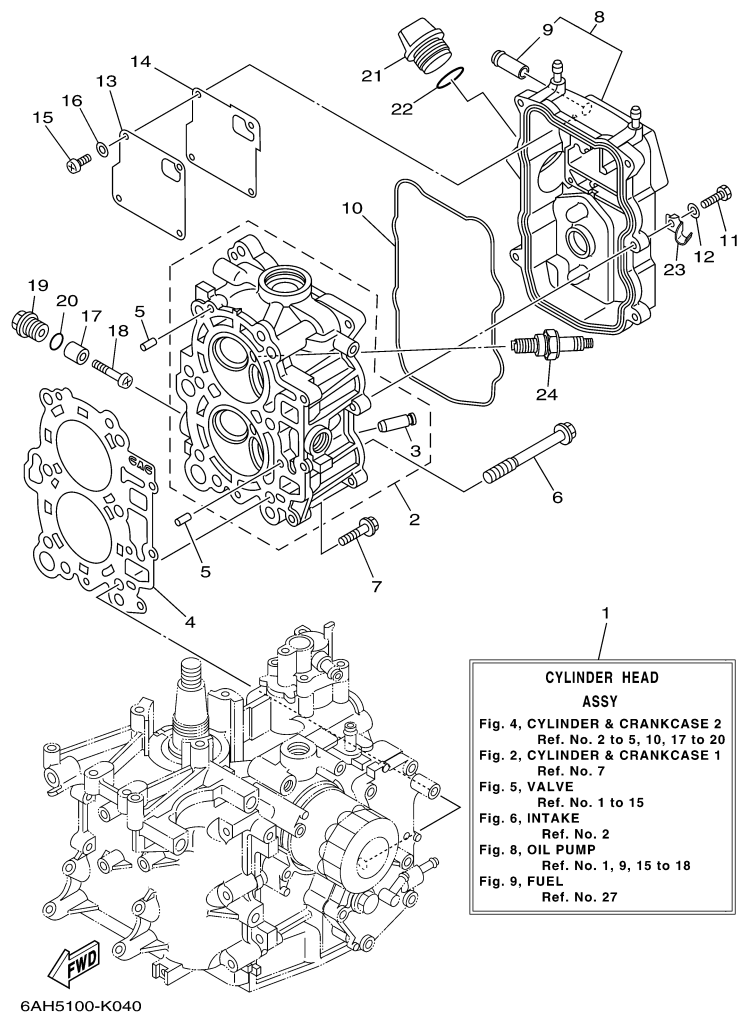
6AH1100-F030

## Part List

F20LPHA\_0112 / CRANKSHAFT PISTON

| REF<br>-<br>NO | PART<br>NUMBER  | PART NAME                       | QUANTITY | REMARKS  |
|----------------|-----------------|---------------------------------|----------|----------|
| 1              | 6AH-11411-00-00 | CRANKSHAFT                      | 1        |          |
| 2              | 6AH-11416-00-00 | PLANE BEARING,<br>CRANKSHAFT 1  | 4        | UR BLUE  |
| 2              | 6AH-11416-20-00 | PLANE BEARING,<br>CRANKSHAFT 1  | 4        | UR BROWN |
| 2              | 6AH-11416-10-00 | PLANE BEARING,<br>CRANKSHAFT 1  | 4        | UR BLACK |
| 3              | 6AH-11650-00-00 | CONNECTING ROD ASSY             | 2        |          |
| 4              | 6AH-11654-00-00 | .BOLT, CONNECTING ROD           | 2        |          |
| 5              | 6AH-11631-00-00 | PISTON (STD)                    | 2        |          |
| 5              | 6AH-11636-00-00 | PISTON (0.50MM O/S)             | 2        | AP       |
| 5              | 6AH-11635-00-00 | PISTON (0.25MM O/S)             | 2        | AP       |
| 6              | 6AH-11603-00-00 | PISTON RING SET (STD)           | 2        |          |
| 6              | 6AH-11605-00-00 | PISTON RING SET (0.50MM<br>O/S) | 2        | AP       |
| 6              | 6AH-11604-00-00 | PISTON RING SET (0.25MM<br>O/S) | 2        | AP       |
| 7              | 137-11633-10-00 | PIN, PISTON                     | 2        |          |
| 8              | 93450-17129-00  | CIRCLIP                         | 4        |          |
| 9              | 93102-37004-00  | .OIL SEAL                       | 1        |          |
| 10             | 93102-25014-00  | .OIL SEAL                       | 1        |          |

F20LPHA\_0112 / CYLINDER CRANKCASE 2



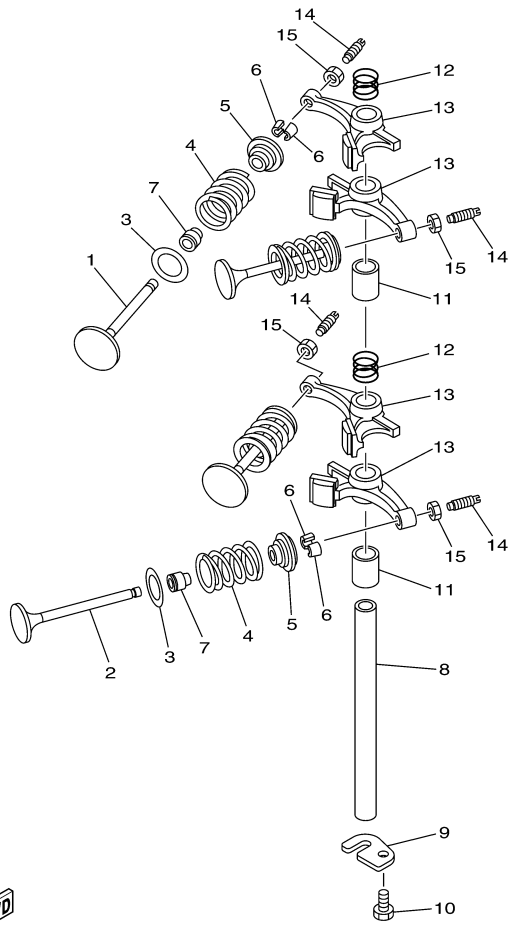
## Part List

F20LPHA\_0112 / CYLINDER CRANKCASE 2

| REF<br>-<br>NO | PART<br>NUMBER  | PART NAME                | QUANTITY | REMARKS |
|----------------|-----------------|--------------------------|----------|---------|
| 1              | 6AH-W009A-00-1S | CYLINDER HEAD COMPLETE   | 1        |         |
| 2              | 6AH-11111-00-1S | HEAD, CYLINDER 1         | 1        |         |
| 3              | 6AH-11133-10-00 | .GUIDE, VALVE 1          | 4        |         |
| 4              | 6AG-11181-00-00 | .GASKET, CYLINDER HEAD 1 | 1        |         |
| 5              | 93606-12019-00  | .PIN, DOWEL              | 2        |         |
| 6              | 90105-09006-00  | BOLT, FLANGE             | 6        |         |
| 7              | 90119-06MA3-00  | BOLT, WITH WASHER        | 3        |         |
| 8              | 6AH-11191-00-1S | COVER, CYLINDER HEAD 1   | 1        |         |
| 9              | 6AH-11372-00-00 | .NIPPLE, HOSE            | 1        |         |
| 10             | 6AH-11356-00-00 | .SEAL, CYLINDER 2        | 1        |         |
| 11             | 97095-06020-00  | BOLT                     | 5        |         |
| 12             | 92995-06600-00  | WASHER                   | 5        |         |
| 13             | 6AH-11168-00-00 | COVER, BREATHER          | 1        |         |
| 14             | 6AH-11169-00-00 | .GASKET, BREATHER COVER  | 1        |         |
| 15             | 98507-04010-00  | SCREW, PAN HEAD          | 4        |         |
| 16             | 92907-04600-00  | WASHER                   | 4        |         |
| 17             | 6G8-11325-00-00 | ANODE                    | 2        |         |
| 18             | 97880-05025-00  | SCREW, PAN HEAD          | 2        |         |
| 19             | 6G8-11197-01-00 | PLUG, BLIND              | 2        |         |
| 20             | 93210-13M63-00  | .O-RING                  | 2        |         |
| 21             | 6G8-15363-00-00 | PLUG, OIL                | 1        |         |
| 22             | 93210-24M79-00  | .O-RING                  | 1        |         |
| 23             | 90465-08059-00  | CLAMP                    | 1        |         |
| 24             | DPR-6EB90-00-00 | PLUG, SPARK (NGK DPR6EB) | 2        |         |



F20LPHA\_0112 / VALVE



6AH1100-F050

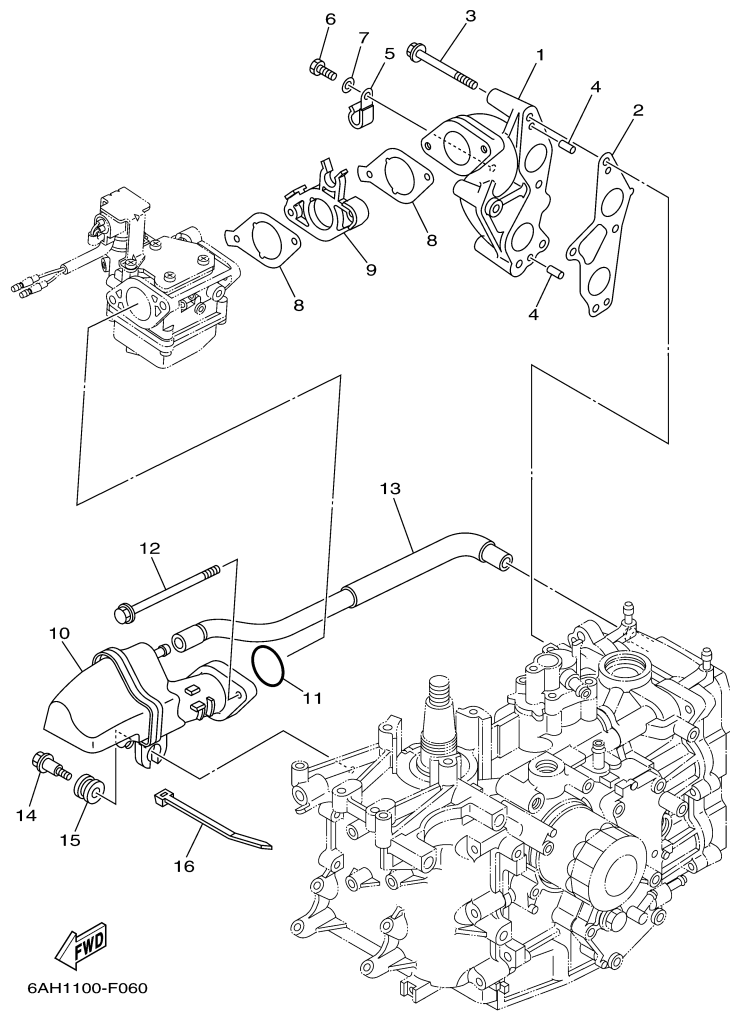
©2014 Yamaha Motor Corporation, U.S.A. All rights reserved.

## Part List

F20LPHA\_0112 / VALVE

| REF<br>-<br>NO | PART<br>NUMBER  | PART NAME                      | QUANTITY | REMARKS |
|----------------|-----------------|--------------------------------|----------|---------|
| 1              | 6AH-12111-00-00 | VALVE, INTAKE                  | 2        |         |
| 2              | 6AH-12121-00-00 | VALVE, EXHAUST                 | 2        |         |
| 3              | 62Y-12116-00-00 | SEAT, VALVE SPRING             | 4        |         |
| 4              | 3YF-12113-00-00 | SPRING, VALVE INNER            | 4        |         |
| 5              | 30X-12117-00-00 | RETAINER, VALVE SPRING         | 4        |         |
| 6              | 30X-12118-00-00 | LOCK, VALVE SPRING<br>RETAINER | 8        |         |
| 7              | 51Y-12119-00-00 | SEAL, VALVE STEM               | 4        |         |
| 8              | 66M-12146-00-00 | SHAFT, ROCKER                  | 1        |         |
| 9              | 6AH-12279-00-00 | PLATE                          | 1        |         |
| 10             | 97013-06012-00  | BOLT                           | 1        |         |
| 11             | 90387-13006-00  | COLLAR                         | 2        |         |
| 12             | 90501-120A5-00  | SPRING, COMPRESSION            | 2        |         |
| 13             | 6AH-12151-00-00 | ARM, VALVE ROCKER              | 4        |         |
| 14             | 64J-12159-00-00 | SCREW, VALVE ADJUSTING         | 4        |         |
| 15             | 62Y-12158-00-00 | NUT, LOCK                      | 4        |         |

F20LPHA\_0112 / INTAKE



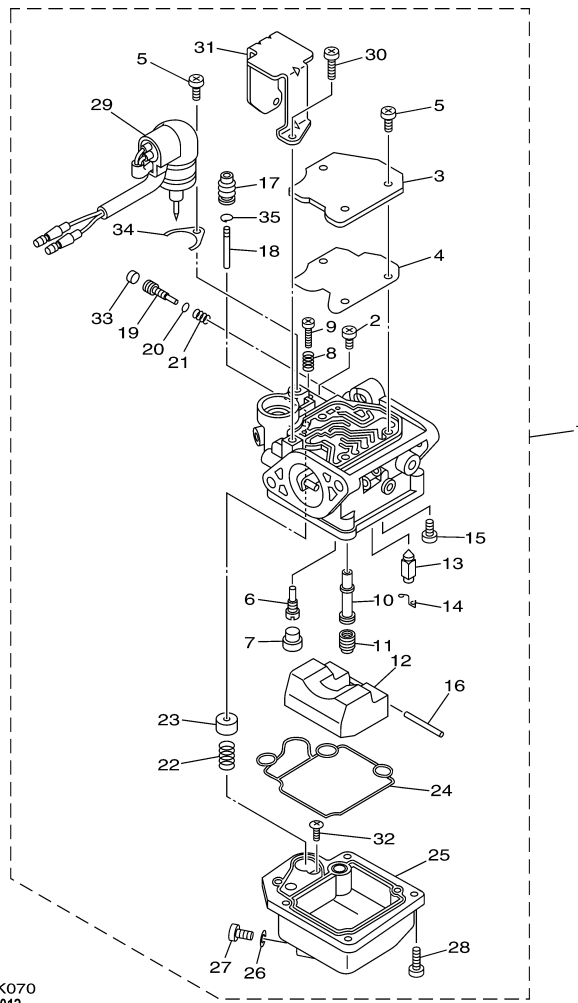
©2014 Yamaha Motor Corporation, U.S.A. All rights reserved.

## Part List

F20LPHA\_0112 / INTAKE

| REF<br>-<br>NO | PART<br>NUMBER  | PART NAME             | QUANTITY | REMARKS |
|----------------|-----------------|-----------------------|----------|---------|
| 1              | 6AH-13641-00-94 | MANIFOLD, INTAKE 1    | 1        |         |
| 2              | 6AH-13645-00-00 | .GASKET, MANIFOLD 1   | 1        |         |
| 3              | 97595-06555-00  | BOLT, WITH WASHER     | 4        |         |
| 4              | 91690-50014-00  | PIN, SPRING           | 2        |         |
| 5              | 90465-08M83-00  | CLAMP                 | 2        |         |
| 6              | 97095-06012-00  | BOLT                  | 2        |         |
| 7              | 92995-06600-00  | WASHER                | 2        |         |
| 8              | 6AH-13646-00-00 | .GASKET, MANIFOLD 2   | 2        |         |
| 9              | 6AH-14271-00-00 | INSULATOR             | 1        |         |
| 10             | 6AH-14440-00-00 | SILENCER ASSY, INTAKE | 1        |         |
| 11             | 93210-35M86-00  | .O-RING               | 1        |         |
| 12             | 95895-06100-00  | BOLT, FLANGE          | 2        |         |
| 13             | 6AH-15373-00-00 | PIPE, BREATHER        | 1        |         |
| 14             | 90109-06MA1-00  | BOLT                  | 1        |         |
| 15             | 90480-16616-00  | GROMMET               | 1        |         |
| 16             | 90465-13M18-00  | CLAMP                 | 1        |         |

F20LPHA\_0112 / CARBURETOR



  
6AH5110-K070  
Rev. 3-20-2012


## Part List

F20LPHA\_0112 / CARBURETOR

| REF - NO | PART NUMBER     | PART NAME              | QUANTITY | REMARKS          |
|----------|-----------------|------------------------|----------|------------------|
| 1        | 6AH-14301-41-00 | CARBURETOR ASSY 1      | 1        |                  |
| 2        | 98580-04006-00  | .SCREW, PAN HEAD       | 1        |                  |
| 3        | 65W-14572-00-00 | .PLATE                 | 1        |                  |
| 4        | 65W-14126-10-00 | .GASKET                | 1        |                  |
| 5        | 97980-04110-00  | .SCREW, WITH WASHER    | 4        |                  |
| 6        | 676-14948-05-00 | .JET (#45)             | 1        | FOR 6AH-14301-41 |
| 7        | 679-14966-00-00 | .RUBBER CAP            | 1        |                  |
| 8        | 90501-10326-00  | .SPRING, COMPRESSION   | 1        |                  |
| 9        | 63V-14523-00-00 | .SCREW, STOP           | 1        |                  |
| 10       | 6AH-14947-00-00 | .JET, NEEDLE           | 1        |                  |
| 11       | 63D-14943-81-00 | .JET, MAIN (#118)      | 1        |                  |
| 12       | 6AH-14985-00-00 | .FLOAT                 | 1        |                  |
| 13       | 6AH-14546-00-00 | .VALVE, NEEDLE         | 1        |                  |
| 14       | 663-14159-00-00 | .CLIP                  | 1        |                  |
| 15       | 98580-04008-00  | .SCREW, PAN HEAD       | 1        |                  |
| 16       | 6H4-14548-00-00 | .PIN, FLOAT ARM        | 1        |                  |
| 17       | 65W-14373-02-00 | .COVER, PLUNGER CAP    | 1        |                  |
| 18       | 6AH-14379-00-00 | .ROD, STARTER          | 1        |                  |
| 19       | 67C-14923-00-00 | .SCREW, PILOT          | 1        |                  |
| 20       | 67C-14397-00-00 | .O-RING                | 1        |                  |
| 21       | 67C-14555-00-00 | .SPRING                | 1        |                  |
| 22       | 6AH-14335-00-00 | .SPRING, PLUNGER       | 1        |                  |
| 23       | 6AH-14371-00-00 | .PLUNGER, STARTER      | 1        |                  |
| 24       | 6AH-14384-00-00 | .GASKET, FLOAT CHAMBER | 1        |                  |
| 25       | 6AH-14980-00-00 | .BODY, FLOAT CHAMBER   | 1        |                  |
| 26       | 65W-14398-00-00 | .GASKET                | 1        |                  |
| 27       | 65W-14992-00-00 | .SCREW, DRAIN          | 1        |                  |
| 28       | 97980-04114-00  | .SCREW, WITH WASHER    | 4        |                  |
| 29       | 6AH-14380-10-00 | .PRIME STARTER ASSY    | 1        | FOR 6AH-14301-41 |
| 30       | 97980-04108-00  | .SCREW, WITH WASHER    | 2        |                  |
| 31       | 6AH-14346-00-00 | .PLATE                 | 1        |                  |
| 32       | 67C-14567-00-00 | .SCREW                 | 1        |                  |
| 33       | 67C-1432A-00-00 | .PLUG                  | 1        |                  |
| 34       | 65W-14346-00-00 | .PLATE                 | 1        |                  |
| 35       | 65W-1439G-00-00 | .CLIP 1                | 1        |                  |

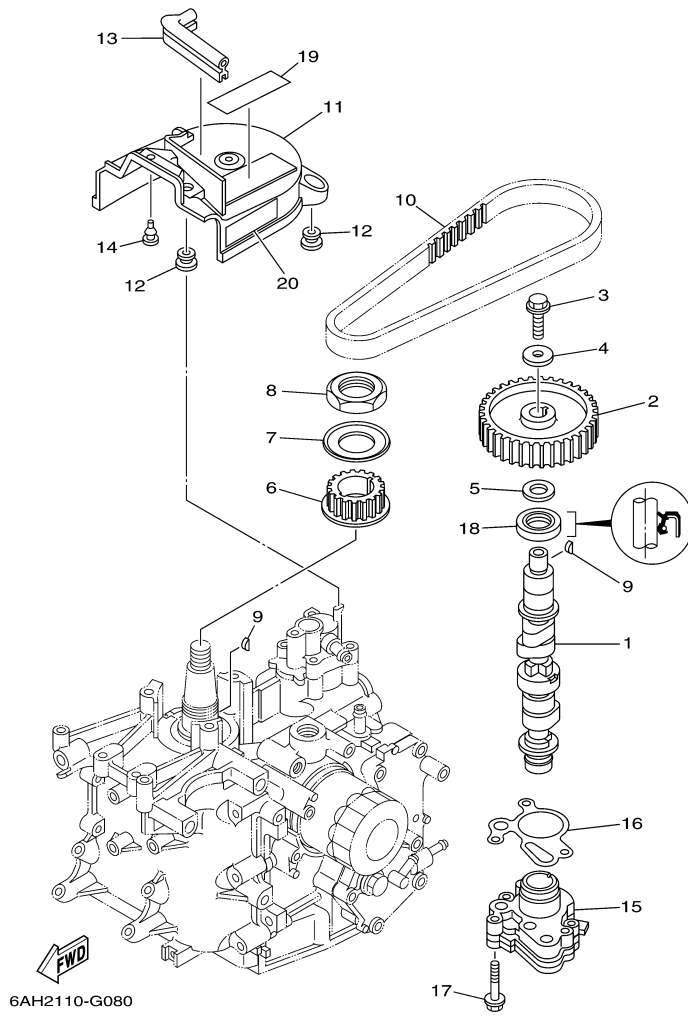
## Part Notes

F20LPHA\_0112 / CARBURETOR

| PART NUMBER     | NOTE TEXT   |
|-----------------|---|
| 6AH-14380-10-00 |  OEM: The O-Ring for sealing this part to the carburetor body is not shown separately. The Part Number for the O-Ring is 93210-17001-00. |

©2014 Yamaha Motor Corporation, U.S.A. All rights reserved.

F20LPHA\_0112 / OIL PUMP



©2014 Yamaha Motor Corporation, U.S.A. All rights reserved.

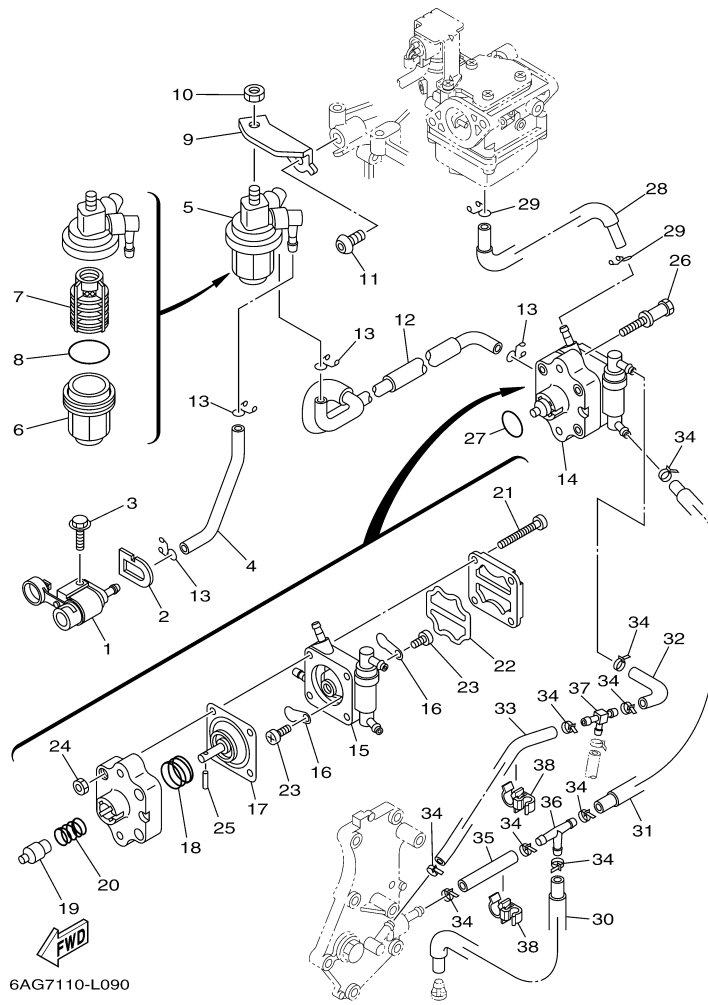
## Part List

F20LPHA\_0112 / OIL PUMP

| REF<br>-<br>NO | PART<br>NUMBER  | PART NAME           | QUANTITY | REMARKS |
|----------------|-----------------|---------------------|----------|---------|
| 1              | 6AH-12170-00-00 | CAMSHAFT ASSY 1     | 1        |         |
| 2              | 6AH-11537-00-00 | GEAR, DRIVEN        | 1        |         |
| 3              | 90105-081A7-00  | BOLT, FLANGE        | 1        |         |
| 4              | 90201-08784-00  | WASHER, PLATE       | 1        |         |
| 5              | 90201-15423-00  | WASHER, PLATE       | 1        |         |
| 6              | 6AH-11536-00-00 | GEAR, DRIVE         | 1        |         |
| 7              | 6AH-11557-00-00 | WASHER 1            | 1        |         |
| 8              | 90170-30003-00  | NUT                 | 1        |         |
| 9              | 90280-03M01-00  | .KEY, WOODRUFF      | 2        |         |
| 10             | 6AH-46241-00-00 | BELT                | 1        |         |
| 11             | 6AH-46297-00-00 | COVER, DUST         | 1        |         |
| 12             | 90480-10627-00  | GROMMET             | 3        |         |
| 13             | 6AH-42617-00-00 | DAMPER, FORM        | 1        |         |
| 14             | 90480-06M19-00  | GROMMET             | 1        |         |
| 15             | 6AH-13300-00-00 | OIL PUMP ASSY       | 1        |         |
| 16             | 6AH-13329-00-00 | .GASKET, PUMP COVER | 1        |         |
| 17             | 90105-06035-00  | BOLT, FLANGE        | 3        |         |
| 18             | 93102-22009-00  | .OIL SEAL           | 1        |         |
| 19             | 6AH-13437-40-00 | MARK, CAUTION       | 1        |         |
| 20             | 6AH-81994-40-00 | LABEL, SAFETY       | 1        |         |



F20LPHA\_0112 / FUEL



©2014 Yamaha Motor Corporation, U.S.A. All rights reserved.


## Part List

F20LPHA\_0112 / FUEL

| REF - NO | PART NUMBER     | PART NAME               | QUANTITY | REMARKS |
|----------|-----------------|-------------------------|----------|---------|
| 1        | 6YL-24304-00-00 | FUEL PIPE JOINT COMP. 1 | 1        |         |
| 2        | 61N-24329-00-00 | SEAL                    | 1        |         |
| 3        | 95895-06020-00  | BOLT, FLANGE            | 1        |         |
| 4        | 6AH-24311-10-00 | PIPE, FUEL 1            | 1        |         |
| 5        | 61N-24560-10-00 | FILTER ASSY             | 1        |         |
| 6        | 61N-24521-00-00 | .CUP, FILTER            | 1        |         |
| 7        | 61N-24563-10-00 | .ELEMENT, FILTER        | 1        |         |
| 8        | 93210-32738-00  | .O-RING                 | 1        |         |
| 9        | 6AH-24566-00-00 | BRACKET, FILTER         | 1        |         |
| 10       | 95380-08600-00  | NUT                     | 1        |         |
| 11       | 90111-08055-00  | BOLT,HEX. SOCKET BUTTON | 1        |         |
| 12       | 6AH-24312-10-00 | PIPE 2                  | 1        |         |
| 13       | 90467-09M17-00  | CLIP                    | 4        |         |
| 14       | 6AH-24410-00-00 | FUEL PUMP ASSY          | 1        |         |
| 15       | 6AH-24413-00-00 | .BODY 2                 | 1        |         |
| 16       | 6A0-24421-01-00 | .VALVE, CHECK           | 2        |         |
| 17       | 66M-24411-11-00 | .DIAPHRAGM              | 1        |         |
| 18       | 66M-24423-00-00 | .SPRING, DIAPHRAGM      | 1        |         |
| 19       | 66M-13131-10-00 | .PLUNGER                | 1        |         |
| 20       | 66M-24454-00-00 | .SPRING                 | 1        |         |
| 21       | 66M-24444-00-00 | .SCREW                  | 4        |         |
| 22       | 66M-24471-01-00 | .DIAPHRAGM              | 1        |         |
| 23       | 6E7-14325-00-00 | .SCREW, PAN HEAD        | 2        |         |
| 24       | 95380-04600-00  | .NUT                    | 4        |         |
| 25       | 66M-24374-00-00 | .PIN                    | 1        |         |
| 26       | 90109-06215-00  | BOLT                    | 2        |         |
| 27       | 93210-20M65-00  | .O-RING                 | 1        |         |
| 28       | 6AH-24313-10-00 | PIPE 3                  | 1        |         |
| 29       | 90467-09M17-00  | CLIP                    | 2        |         |
| 30       | 6AH-24321-00-00 | PIPE 10                 | 1        |         |
| 31       | 6AH-24322-00-00 | PIPE 11                 | 1        |         |
| 32       | 90445-09026-00  | HOSE (L68)              | 1        |         |
| 33       | 90445-09082-00  | HOSE (L150)             | 1        |         |
| 34       | 90465-11M10-00  | CLAMP                   | 9        |         |
| 35       | 90445-09061-00  | HOSE (L65)              | 1        |         |
| 36       | 688-24378-00-00 | PIPE, JOINT 3           | 1        |         |
| 37       | 6C5-24378-00-00 | PIPE, JOINT 3           | 1        |         |
| 38       | 90464-09018-00  | CLAMP                   | 2        |         |

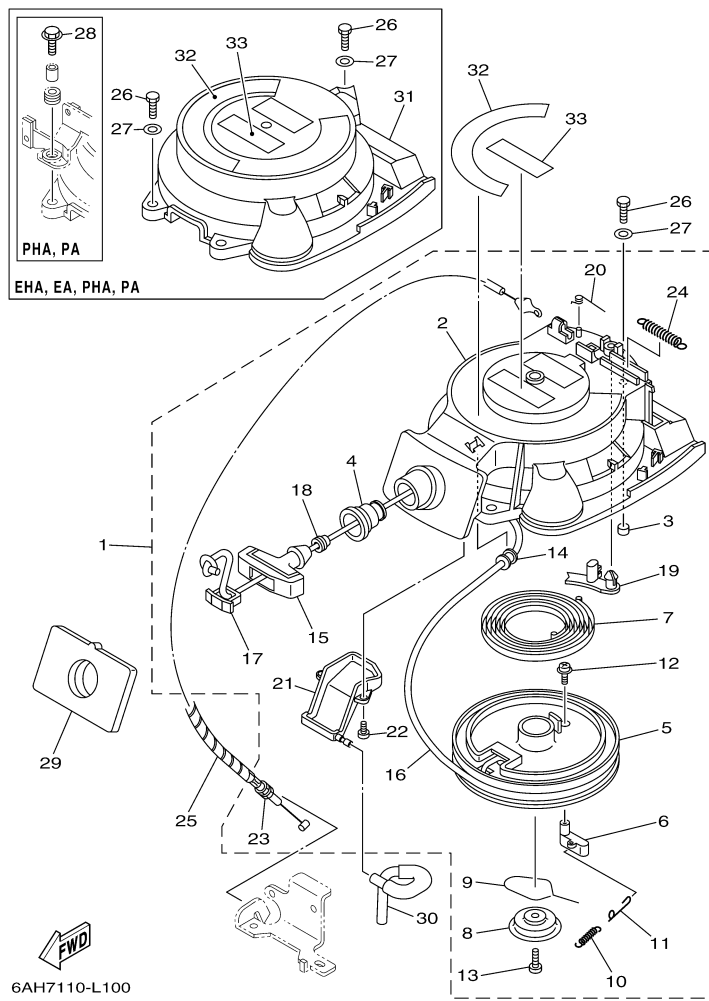
## Part Notes

F20LPHA\_0112 / FUEL

| PART NUMBER   | NOTE TEXT  |
|---|--|
| 61N-24563-10-00  | OEM: This part number is among the Top 100 Most Popular Marine Maintenance Parts as of March 2014. |

©2014 Yamaha Motor Corporation, U.S.A. All rights reserved.

F20LPHA\_0112 / STARTER



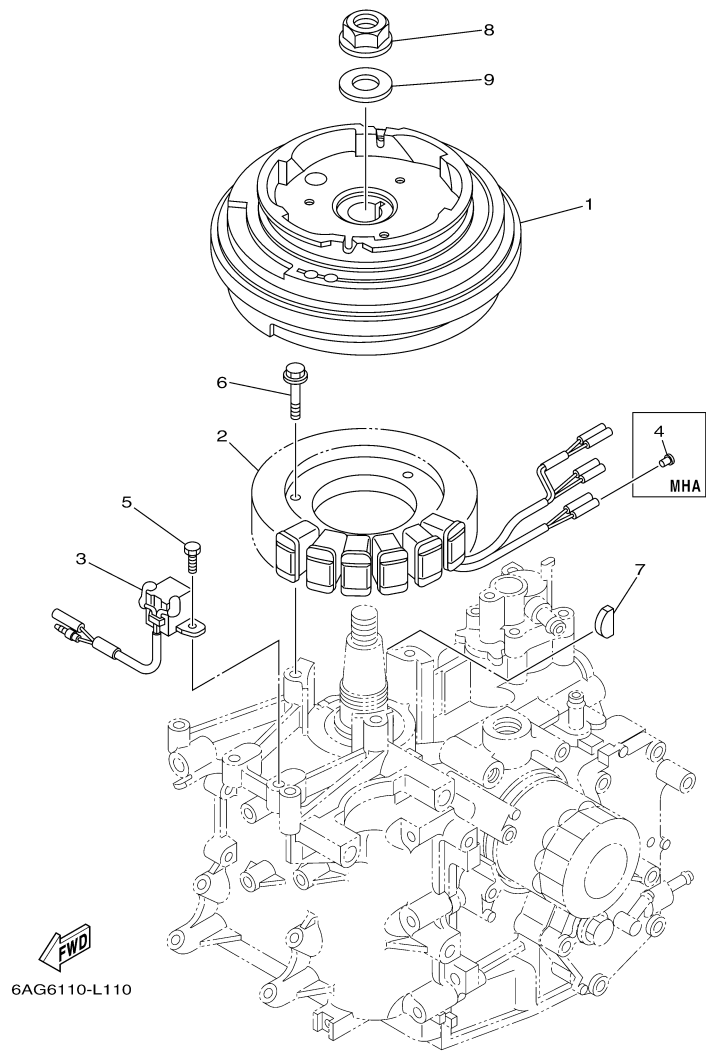
©2014 Yamaha Motor Corporation, U.S.A. All rights reserved.

## Part List

F20LPHA\_0112 / STARTER

| REF<br>-<br>NO | PART<br>NUMBER  | PART NAME          | QUANTITY | REMARKS |
|----------------|-----------------|--------------------|----------|---------|
| 26             | 97095-06020-00  | BOLT               | 1        |         |
| 27             | 92995-06600-00  | WASHER             | 1        |         |
| 28             | 90119-06169-00  | BOLT, WITH WASHER  | 2        |         |
| 31             | 6AH-81337-00-00 | COVER, FLYWHEEL    | 1        |         |
| 32             | 6AH-14427-40-00 | LABEL, INSTRUCTION | 1        |         |
| 33             | 6AH-81995-40-00 | LABEL, WARNING     | 1        |         |

F20LPHA\_0112 / GENERATOR



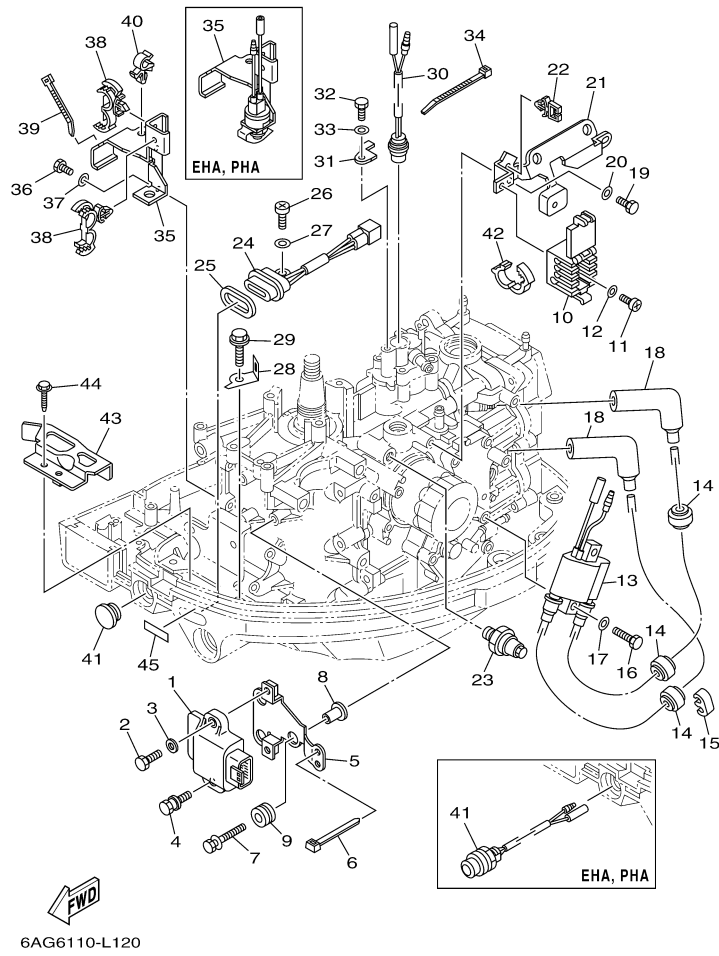
©2014 Yamaha Motor Corporation, U.S.A. All rights reserved.

## Part List

F20LPHA\_0112 / GENERATOR

| REF<br>-<br>NO | PART<br>NUMBER  | PART NAME     | QUANTITY | REMARKS |
|----------------|-----------------|---------------|----------|---------|
| 1              | 6AH-85550-10-00 | ROTOR ASSY    | 1        |         |
| 2              | 6AH-85510-00-00 | STATOR ASSY   | 1        |         |
| 3              | 6AH-85580-00-00 | COIL, PULSER  | 1        |         |
| 5              | 97095-05012-00  | BOLT          | 2        |         |
| 6              | 95895-06030-00  | BOLT, FLANGE  | 3        |         |
| 7              | 90280-05013-00  | KEY, WOODRUFF | 1        |         |
| 8              | 90179-16M05-00  | NUT           | 1        |         |
| 9              | 90201-16M44-00  | WASHER, PLATE | 1        |         |

F20LPHA\_0112 / ELECTRICAL 1



©2014 Yamaha Motor Corporation, U.S.A. All rights reserved.

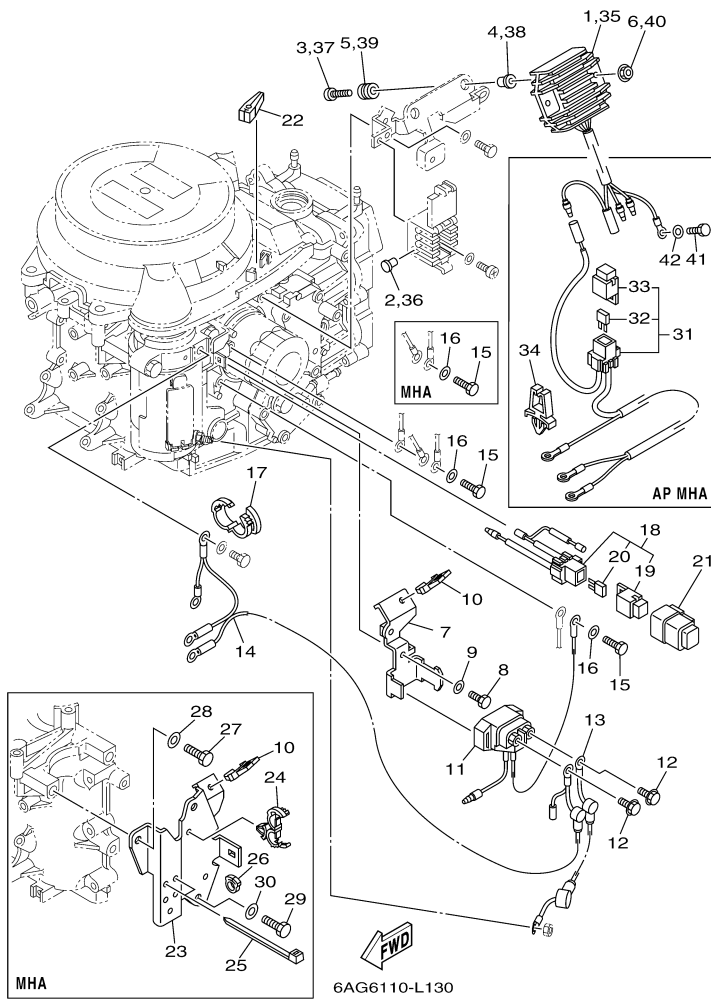
## Part List

F20LPHA\_0112 / ELECTRICAL 1

| REF<br>-<br>NO | PART<br>NUMBER  | PART NAME                | QUANTITY | REMARKS |
|----------------|-----------------|--------------------------|----------|---------|
| 1              | 6AH-85540-00-00 | C.D.I. UNIT ASSY         | 1        |         |
| 2              | 97095-06020-00  | BOLT                     | 1        |         |
| 3              | 92995-06600-00  | WASHER                   | 1        |         |
| 4              | 90109-06221-00  | BOLT                     | 1        |         |
| 5              | 6AH-81948-00-00 | BRACKET                  | 1        |         |
| 6              | 90465-13M18-00  | CLAMP                    | 1        |         |
| 7              | 90119-06M35-00  | BOLT, WITH WASHER        | 3        |         |
| 8              | 90387-06M60-00  | COLLAR                   | 3        |         |
| 9              | 90480-10M23-00  | GROMMET                  | 3        |         |
| 10             | 6AH-82522-00-00 | CLAMP, COUPLER           | 1        |         |
| 11             | 97880-06010-00  | SCREW, PAN HEAD          | 1        |         |
| 12             | 90201-06M05-00  | WASHER, PLATE            | 1        |         |
| 13             | 6F5-85570-13-00 | IGNITION COIL ASSY       | 1        |         |
| 14             | 90480-25003-00  | GROMMET                  | 3        |         |
| 15             | 67F-82361-00-00 | CLAMP, CORD              | 1        |         |
| 16             | 97095-06025-00  | BOLT                     | 2        |         |
| 17             | 92995-06600-00  | WASHER                   | 2        |         |
| 18             | 6AH-82370-00-00 | PLUG CAP ASSY            | 2        |         |
| 19             | 97095-06014-00  | BOLT                     | 2        |         |
| 20             | 92995-06600-00  | WASHER                   | 2        |         |
| 21             | 6AH-85542-00-00 | BRACKET                  | 1        |         |
| 22             | 90464-07M56-00  | CLAMP                    | 2        |         |
| 23             | 64J-82504-00-00 | OIL PRESSURE SWITCH ASSY | 1        |         |
| 24             | 62Y-84301-00-00 | PILOT LIGHT ASSY 1       | 1        |         |
| 25             | 6H4-83589-00-00 | GASKET                   | 1        |         |
| 26             | 97885-06012-00  | SCREW, PAN HEAD          | 1        |         |
| 27             | 92995-06600-00  | WASHER                   | 1        |         |
| 30             | 6AH-82560-00-00 | THERMO SWITCH ASSY       | 1        |         |
| 31             | 6AH-82588-00-00 | PLATE                    | 1        |         |
| 32             | 97095-06014-00  | BOLT                     | 1        |         |
| 33             | 92995-06600-00  | WASHER                   | 1        |         |
| 34             | 90465-11M10-00  | CLAMP                    | 1        |         |
| 35             | 6AH-82540-01-00 | NEUTRAL SWITCH ASSY      | 1        |         |
| 36             | 97095-06016-00  | BOLT                     | 2        |         |
| 37             | 92995-06600-00  | WASHER                   | 2        |         |
| 38             | 90464-18246-00  | CLAMP                    | 2        |         |
| 39             | 90465-13M18-00  | CLAMP                    | 1        |         |
| 40             | 90464-10M32-00  | CLAMP                    | 1        |         |
| 41             | 68T-81870-00-00 | STARTING SWITCH ASSY     | 1        |         |
| 42             | 90464-16003-00  | CLAMP                    | 1        |         |
| 43             | 6AH-82389-00-00 | PLATE 2                  | 1        |         |
| 44             | 90109-06M86-00  | BOLT                     | 1        |         |
| 45             | 67C-85415-00-00 | MARK, SIGNAL LAMP        | 1        |         |



F20LPHA\_0112 / ELECTRICAL 2



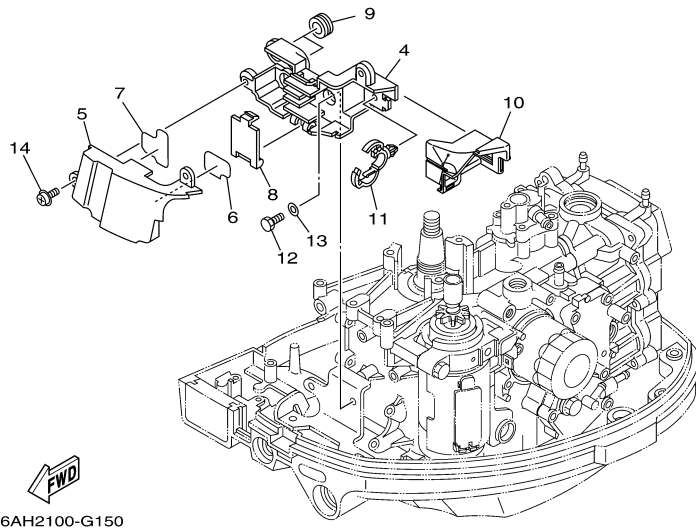
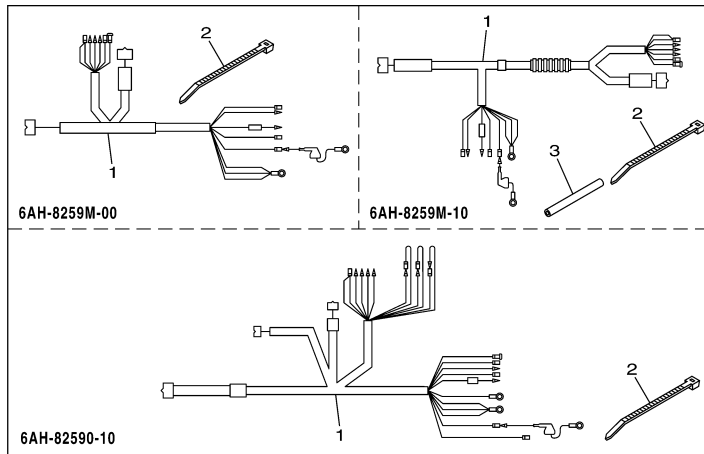
©2014 Yamaha Motor Corporation, U.S.A. All rights reserved.

## Part List

F20LPHA\_0112 / ELECTRICAL 2

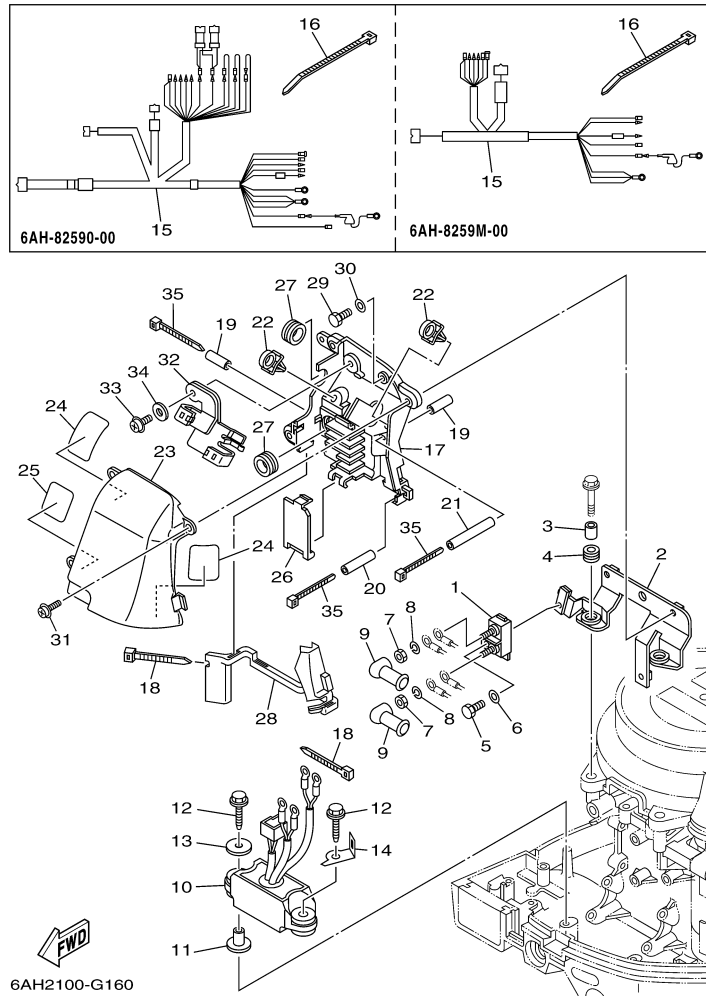
| REF<br>-<br>NO | PART<br>NUMBER  | PART NAME                     | QUANTITY | REMARKS |
|----------------|-----------------|-------------------------------|----------|---------|
| 1              | 6AH-81960-00-00 | RECTIFIER & REGULATOR<br>ASSY | 1        |         |
| 2              | 703-82119-00-00 | COVER, LEAD WIRE              | 1        |         |
| 3              | 98980-06030-00  | SCREW, BIND                   | 2        |         |
| 4              | 90387-06M70-00  | COLLAR                        | 2        |         |
| 5              | 90480-13M24-00  | GROMMET                       | 2        |         |
| 6              | 95780-06500-00  | NUT, FLANGE                   | 2        |         |
| 7              | 6AH-81945-00-00 | PLATE, SWITCH FITTING         | 1        |         |
| 8              | 97095-06014-00  | BOLT                          | 1        |         |
| 9              | 92995-06600-00  | WASHER                        | 1        |         |
| 10             | 90464-08004-00  | CLAMP                         | 1        |         |
| 11             | 68T-81940-00-00 | STARTER RELAY ASSY            | 1        |         |
| 12             | 97595-06610-00  | BOLT, WITH WASHER             | 2        |         |
| 13             | 6AH-82117-00-00 | WIRE, LEAD                    | 1        |         |
| 14             | 6AH-82105-00-00 | BATTERY CABLE                 | 1        |         |
| 15             | 97095-06014-00  | BOLT                          | 2        |         |
| 16             | 92995-06600-00  | WASHER                        | 2        |         |
| 17             | 90464-16001-00  | CLAMP                         | 1        |         |
| 18             | 6AH-82150-00-00 | FUSE HOLDER ASSY              | 1        |         |
| 19             | 67F-8215B-10-00 | .CAP (YELLOW)                 | 1        |         |
| 20             | 67F-82151-00-00 | .FUSE (20A)                   | 2        |         |
| 21             | 6AH-82157-00-00 | DAMPER                        | 1        |         |
| 22             | 67F-2812A-00-00 | .PULLER, FUSE                 | 1        |         |

F20LPHA\_0112 / ELECTRICAL 3



  
6AH2100-G150

F20LPHA\_0112 / ELECTRICAL 4



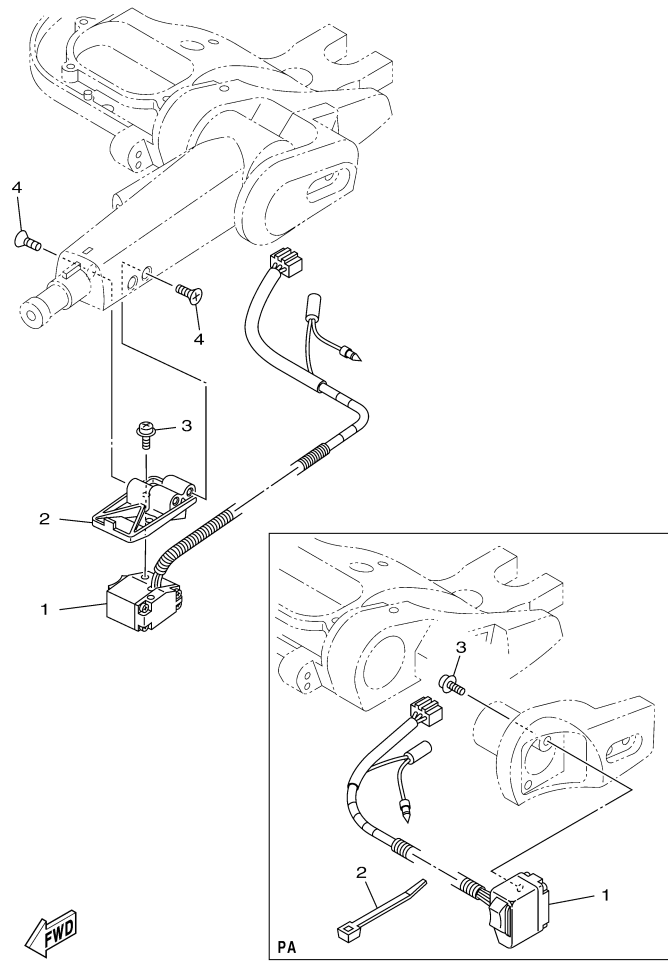
©2014 Yamaha Motor Corporation, U.S.A. All rights reserved.

## Part List

F20LPHA\_0112 / ELECTRICAL 4

| REF<br>-<br>NO | PART<br>NUMBER  | PART NAME             | QUANTITY | REMARKS |
|----------------|-----------------|-----------------------|----------|---------|
| 1              | 6H5-81925-00-00 | TERMINAL              | 1        |         |
| 2              | 6AH-81929-01-00 | BRACKET, TERMINAL     | 1        |         |
| 3              | 90387-06182-00  | COLLAR                | 2        |         |
| 4              | 6AH-82317-00-00 | DAMPER, IGNITION COIL | 2        |         |
| 5              | 97095-06014-00  | BOLT                  | 1        |         |
| 6              | 92995-06600-00  | WASHER                | 1        |         |
| 7              | 90170-06M30-00  | NUT                   | 2        |         |
| 8              | 90204-06M00-00  | WASHER, SPRING        | 2        |         |
| 9              | 6G5-82119-00-00 | COVER, LEAD WIRE      | 2        |         |
| 10             | 6AH-81950-00-00 | RELAY ASSY            | 1        |         |
| 11             | 90387-06M03-00  | COLLAR                | 2        |         |
| 12             | 90109-06MA2-00  | BOLT                  | 2        |         |
| 13             | 90201-06416-00  | WASHER, PLATE         | 1        |         |
| 14             | 6AH-82388-00-00 | PLATE                 | 1        |         |
| 15             | 6AH-8259M-00-00 | WIRE HARNESS ASSY 2   | 1        |         |
| 16             | 90465-13M18-00  | CLAMP                 | 1        |         |
| 17             | 6AH-8552A-10-00 | HOUSING               | 1        |         |
| 18             | 90465-13M18-00  | CLAMP                 | 2        |         |
| 19             | 90445-07025-00  | HOSE                  | 2        |         |
| 20             | 90445-07026-00  | HOSE                  | 1        |         |
| 21             | 90445-07027-00  | HOSE                  | 1        |         |
| 22             | 90464-12001-00  | CLAMP                 | 2        |         |
| 23             | 6AH-8552E-10-00 | COVER, CASE           | 1        |         |
| 24             | 6AH-42735-10-00 | PROTECTOR             | 2        |         |
| 25             | 6AH-42735-20-00 | PROTECTOR             | 1        |         |
| 26             | 6AH-85537-10-00 | COVER                 | 1        |         |
| 27             | 90480-19368-00  | GROMMET               | 2        |         |
| 28             | 6AH-85547-10-00 | DAMPER                | 1        |         |
| 29             | 97095-06014-00  | BOLT                  | 3        |         |
| 30             | 92995-06600-00  | WASHER                | 3        |         |
| 31             | 97985-06214-00  | SCREW, WITH WASHER    | 3        |         |
| 32             | 6AH-85525-10-00 | PLATE                 | 1        |         |
| 33             | 97985-06214-00  | SCREW, WITH WASHER    | 1        |         |
| 34             | 90201-06068-00  | WASHER, PLATE         | 1        |         |
| 35             | 90464-76001-00  | CLAMP                 | 3        |         |

F20LPHA\_0112 / ELECTRICAL 5



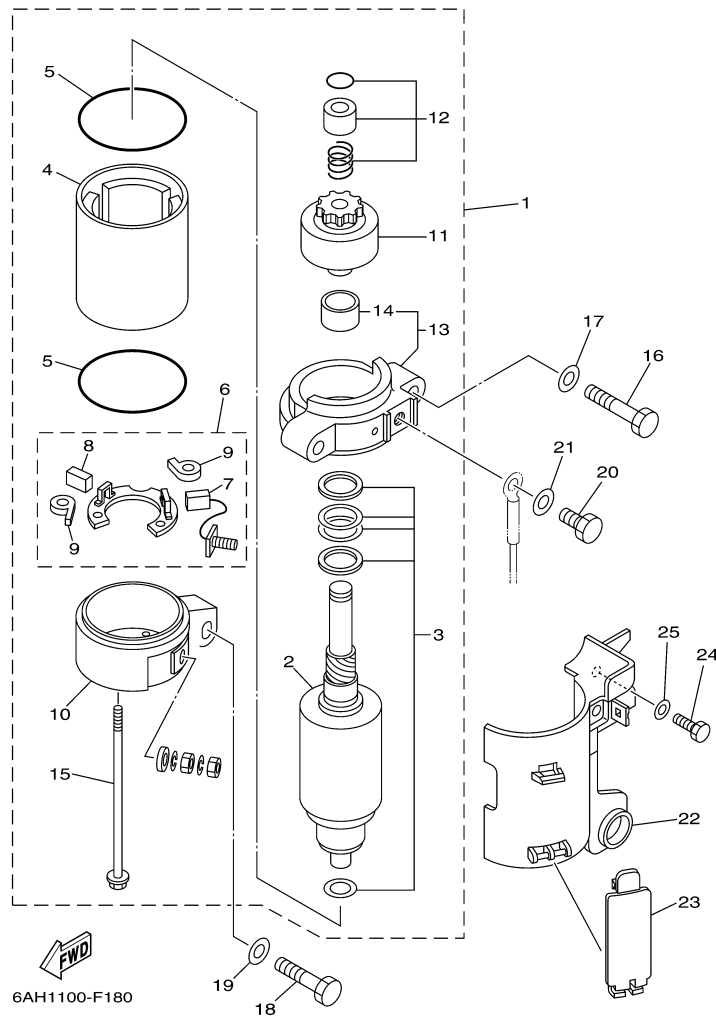
6AH6110-L160

## Part List

F20LPHA\_0112 / ELECTRICAL 5

| REF<br>-<br>NO | PART<br>NUMBER  | PART NAME               | QUANTITY | REMARKS |
|----------------|-----------------|-------------------------|----------|---------|
| 1              | 6AH-82563-00-00 | TRIM & TILT SWITCH ASSY | 1        |         |
| 2              | 69A-42176-00-00 | STAY 2                  | 1        |         |
| 3              | 97985-06220-00  | SCREW, WITH WASHER      | 2        |         |
| 4              | 90151-06040-00  | SCREW, COUNTERSUNK      | 3        |         |

F20LPHA\_0112 / STARTING MOTOR



©2014 Yamaha Motor Corporation, U.S.A. All rights reserved.

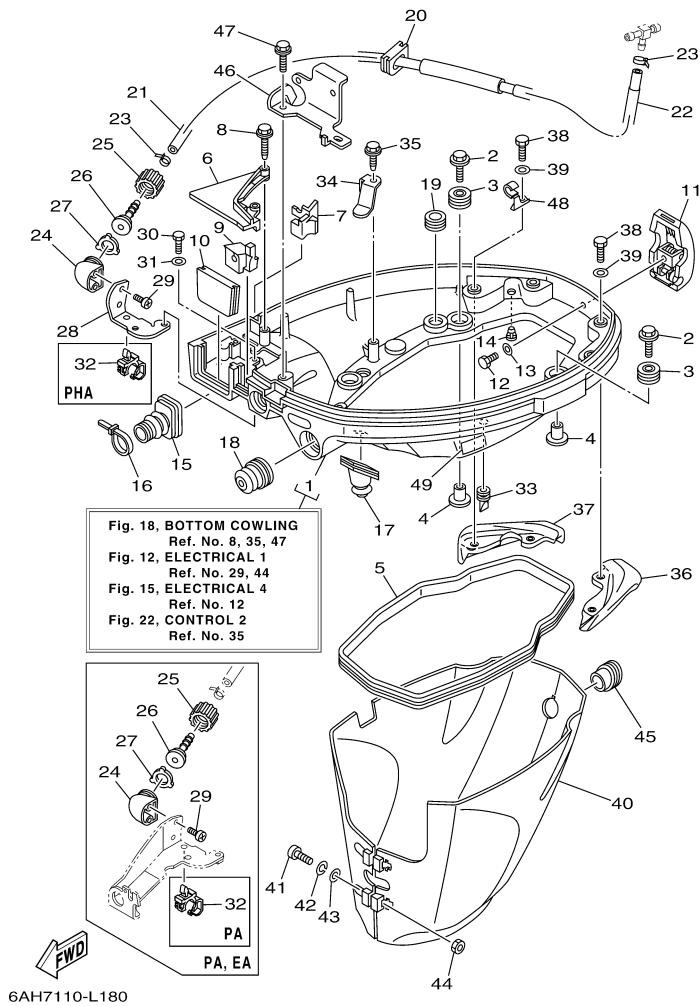


## Part List

F20LPHA\_0112 / STARTING MOTOR

| REF<br>-<br>NO | PART<br>NUMBER  | PART NAME                     | QUANTITY | REMARKS |
|----------------|-----------------|-------------------------------|----------|---------|
| 1              | 6AH-81800-00-00 | STARTING MOTOR ASSY           | 1        |         |
| 2              | 689-81850-11-00 | .ARMATURE ASSY                | 1        |         |
| 3              | 689-81809-11-00 | .WASHER KIT                   | 1        |         |
| 4              | 689-81810-11-00 | .STATOR ASSY                  | 1        |         |
| 5              | 689-81847-11-00 | .O-RING                       | 2        |         |
| 6              | 689-81840-11-00 | .BRUSH HOLDER ASSY            | 1        |         |
| 7              | 689-81811-11-00 | ..BRUSH 1                     | 1        |         |
| 8              | 689-81812-11-00 | ..BRUSH 2                     | 1        |         |
| 9              | 689-81813-10-00 | ..SPRING, BRUSH               | 2        |         |
| 10             | 6AH-81820-00-00 | .REAR BRACKET ASSY            | 1        |         |
| 11             | 689-81807-12-00 | .GEAR ASSY, STARTING<br>MOTOR | 1        |         |
| 12             | 68T-81857-00-00 | .RETAINER                     | 1        |         |
| 13             | 6AH-81830-00-00 | .FRONT BRACKET ASSY           | 1        |         |
| 14             | 689-81831-00-00 | ..METAL, FRONT                | 1        |         |
| 15             | 689-81826-10-00 | .BOLT                         | 2        |         |
| 16             | 97013-08045-00  | BOLT                          | 2        |         |
| 17             | 92903-08600-00  | WASHER, PLATE                 | 2        |         |
| 18             | 97013-08035-00  | BOLT                          | 1        |         |
| 19             | 92903-08600-00  | WASHER, PLATE                 | 1        |         |
| 20             | 97095-08016-00  | BOLT                          | 1        |         |
| 21             | 92995-08600-00  | WASHER                        | 1        |         |
| 22             | 6AH-81942-00-00 | COVER                         | 1        |         |
| 23             | 6AH-82581-00-00 | STAY, CORD CLAMP              | 1        |         |
| 24             | 97095-06014-00  | BOLT                          | 1        |         |
| 25             | 92995-06600-00  | WASHER                        | 1        |         |

F20LPHA\_0112 / BOTTOM COWLING

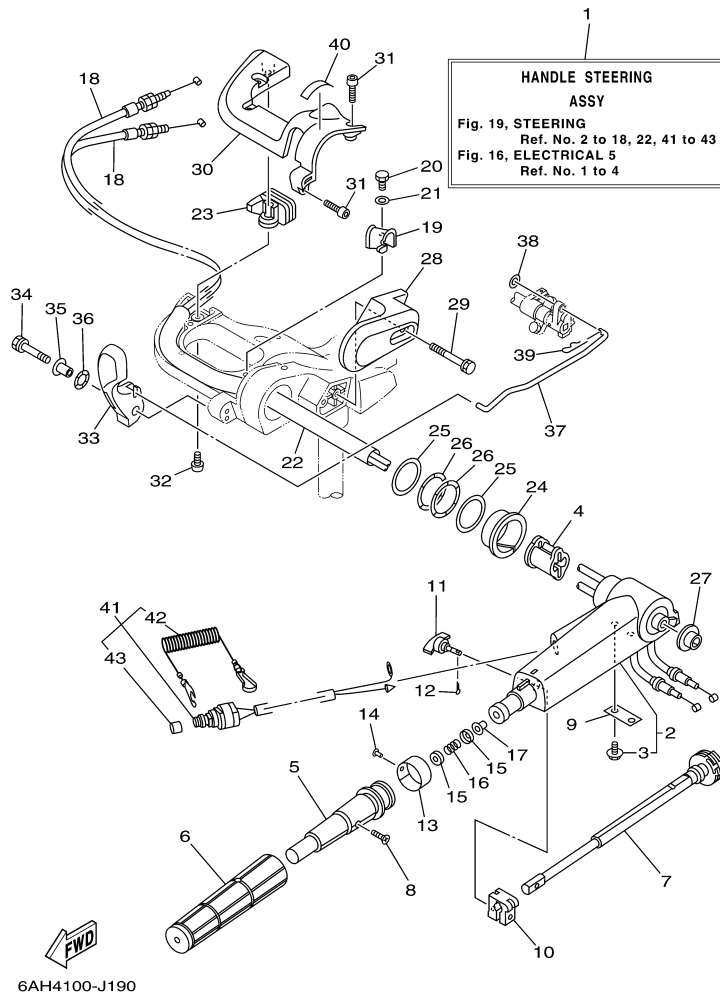


## Part List

F20LPHA\_0112 / BOTTOM COWLING

| REF<br>-<br>NO | PART<br>NUMBER  | PART NAME                | QUANTITY | REMARKS |
|----------------|-----------------|--------------------------|----------|---------|
| 1              | 6AH-42710-10-4D | BOTTOM COWLING ASSY      | 1        |         |
| 2              | 68F-85119-00-00 | BOLT                     | 4        |         |
| 3              | 90480-21M82-00  | GROMMET                  | 4        |         |
| 4              | 90387-06176-00  | COLLAR                   | 4        |         |
| 5              | 6AH-42716-00-00 | RUBBER, SEAL 1           | 1        |         |
| 6              | 6AH-42738-00-4D | PLATE, FITTING           | 1        |         |
| 7              | 6AH-42718-00-00 | RUBBER, SEAL 3           | 1        |         |
| 8              | 90109-06M82-00  | BOLT                     | 2        |         |
| 9              | 6AH-42725-10-00 | GROMMET                  | 1        |         |
| 10             | 6AH-42724-00-00 | GROMMET                  | 1        |         |
| 11             | 6AH-42801-00-00 | COWLING CLAMP COMP.      | 1        |         |
| 12             | 97095-06012-00  | BOLT                     | 1        |         |
| 13             | 92995-06600-00  | WASHER                   | 1        |         |
| 14             | 6BL-44391-00-00 | NIPPLE, HOSE             | 1        |         |
| 15             | 6AH-26326-00-00 | GROMMET                  | 1        |         |
| 16             | 90465-11M10-00  | CLAMP                    | 1        |         |
| 17             | 6AH-42727-00-00 | GROMMET                  | 1        |         |
| 18             | 65W-42726-00-00 | GROMMET                  | 1        |         |
| 19             | 90480-16007-00  | GROMMET                  | 1        |         |
| 20             | 6AH-42726-00-00 | GROMMET                  | 1        |         |
| 21             | 6AH-24314-01-00 | PIPE 4                   | 1        |         |
| 22             | 90445-15003-00  | HOSE (L230)              | 1        |         |
| 23             | 90465-11M10-00  | CLAMP                    | 2        |         |
| 24             | 68T-12572-00-00 | ADAPTER                  | 1        |         |
| 25             | 6R3-12581-00-00 | JOINT, HOSE 1            | 1        |         |
| 26             | 6R3-12582-00-00 | JOINT, HOSE 2            | 1        |         |
| 27             | 6R3-12583-00-00 | GASKET, HOSE JOINT       | 1        |         |
| 28             | 6AH-12535-00-00 | PLATE                    | 1        |         |
| 29             | 90167-06002-00  | SCREW, TAPPING           | 2        |         |
| 30             | 97095-06010-00  | BOLT                     | 2        |         |
| 31             | 92995-06600-00  | WASHER                   | 2        |         |
| 32             | 90464-12M58-00  | CLAMP                    | 1        |         |
| 33             | 65W-42717-00-00 | RUBBER, SEAL 2           | 2        |         |
| 34             | 6AH-42743-00-00 | BRACKET                  | 1        |         |
| 35             | 90109-06M86-00  | BOLT                     | 1        |         |
| 36             | 6AH-42761-00-00 | STOPPER                  | 1        |         |
| 37             | 6AH-42762-00-00 | STOPPER                  | 1        |         |
| 38             | 97075-06012-00  | BOLT                     | 4        |         |
| 39             | 92995-06600-00  | WASHER                   | 4        |         |
| 40             | 6AH-42741-00-00 | APRON                    | 1        |         |
| 41             | 97885-06030-00  | SCREW, PAN HEAD          | 2        |         |
| 42             | 92995-06100-00  | WASHER, SPRING           | 2        |         |
| 43             | 92995-06600-00  | WASHER                   | 2        |         |
| 44             | 95380-06600-00  | NUT, HEXAGON             | 2        |         |
| 45             | 6AH-42717-00-00 | RUBBER, SEAL 2           | 1        |         |
| 48             | 90465-08M82-00  | CLAMP                    | 1        |         |
| 49             | 6AH-42794-40-00 | LABEL, WARNING (GENERAL) | 1        |         |

F20LPHA\_0112 / STEERING



©2014 Yamaha Motor Corporation, U.S.A. All rights reserved.



## Part List

F20LPHA\_0112 / STEERING

| REF<br>-<br>NO | PART<br>NUMBER  | PART NAME                          | QUANTITY | REMARKS |
|----------------|-----------------|------------------------------------|----------|---------|
| 1              | 6AH-W0084-12-4D | HANDLE STEERING ASSY               | 1        |         |
| 2              | 6AH-42101-11-4D | HANDLE, STEERING                   | 1        |         |
| 3              | 90109-06M86-00  | .BOLT                              | 2        |         |
| 4              | 6AH-26288-00-00 | GROMMET, CABLE                     | 1        |         |
| 5              | 66M-42119-01-00 | GRIP, STEERING HANDLE              | 1        |         |
| 6              | 67D-42177-00-00 | RUBBER, HANDLE                     | 1        |         |
| 7              | 65W-42138-00-00 | LEVER, THROTTLE                    | 1        |         |
| 8              | 90152-05011-00  | SCREW, COUNTERSUNK                 | 1        |         |
| 9              | 65W-42159-00-00 | STAY                               | 1        |         |
| 10             | 6G1-42126-00-00 | FRICITION, STEERING<br>HANDLE GRIP | 1        |         |
| 11             | 65W-42125-00-00 | BOLT, FRICTION ADJUSTING           | 1        |         |
| 12             | 91490-16010-00  | PIN. COTTER                        | 1        |         |
| 13             | 6J0-42137-00-00 | INDICATOR, THROTTLE                | 1        |         |
| 14             | 90269-02M09-00  | RIVET                              | 1        |         |
| 15             | 6X4-44188-00-00 | WASHER                             | 2        |         |
| 16             | 90501-23215-00  | SPRING, COMPRESSION                | 1        |         |
| 17             | 90386-08004-00  | BUSH                               | 1        |         |
| 18             | 6AH-26311-00-00 | CABLE, THROTTLE 1                  | 2        |         |
| 19             | 6AH-44554-00-00 | PLATE                              | 1        |         |
| 20             | 97095-06014-00  | BOLT                               | 1        |         |
| 21             | 92995-06600-00  | WASHER                             | 1        |         |
| 22             | 6AH-2634E-00-00 | PROTECTOR 1                        | 1        |         |
| 23             | 6AH-42551-00-00 | GROMMET                            | 1        |         |
| 24             | 90386-45001-00  | BUSH                               | 1        |         |
| 25             | 90201-39008-00  | WASHER, PLATE                      | 2        |         |
| 26             | 90206-39001-00  | WASHER, WAVE                       | 2        |         |
| 27             | 90381-20001-00  | BUSH, SOLID                        | 1        |         |
| 28             | 6AH-42131-00-4D | COVER, HANDLE STEERING             | 1        |         |
| 29             | 97595-06555-00  | BOLT, WITH WASHER                  | 2        |         |
| 30             | 6AH-42532-00-00 | COVER                              | 1        |         |
| 31             | 90111-06072-00  | BOLT,HEX. SOCKET BUTTON            | 4        |         |
| 32             | 97780-60520-00  | SCREW, TAPPING                     | 1        |         |
| 33             | 6AH-44111-00-00 | HANDLE, GEAR SHIFT                 | 1        |         |
| 34             | 90119-06M05-00  | BOLT, WITH WASHER                  | 1        |         |
| 35             | 90387-06M86-00  | .COLLAR                            | 1        |         |
| 36             | 90206-15M18-00  | WASHER, WAVE                       | 1        |         |
| 37             | 6AH-44124-00-00 | LINK, SHIFT ROD                    | 1        |         |
| 38             | 92990-06200-00  | WASHER, PLAIN                      | 1        |         |
| 39             | 90468-18008-00  | CLIP                               | 1        |         |
| 40             | 6G8-44191-00-00 | INDICATOR, SHIFT                   | 1        |         |
| 41             | 6AH-82575-00-00 | ENGINE STOP SWITCH ASSY            | 1        |         |
| 42             | 682-82556-00-00 | .LANYARD, STOP SWITCH              | 1        |         |
| 43             | 689-8257Y-00-00 | .CAP                               | 1        |         |

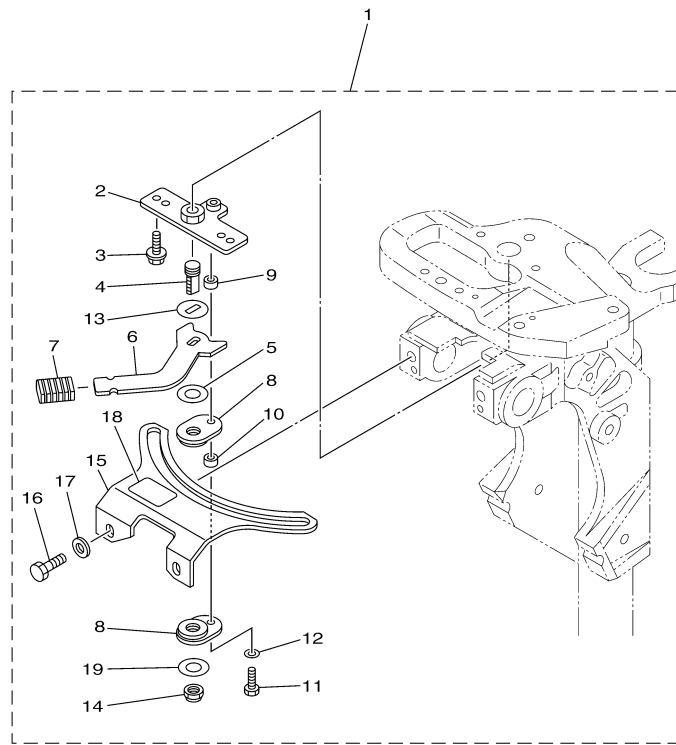
## Part Notes

F20LPHA\_0112 / STEERING

| PART NUMBER     |   | NOTE TEXT  |
|-----------------|---|--|
| 90468-18008-00  |  | OEM: This part number is among the Top 100 Most Popular Marine Maintenance Parts as of March 2014. |
| 682-82556-00-00 |  | OEM: This part number is among the Top 100 Most Popular Marine Maintenance Parts as of March 2014. |

©2014 Yamaha Motor Corporation, U.S.A. All rights reserved.

F20LPHA\_0112 / STEERING FRICTION



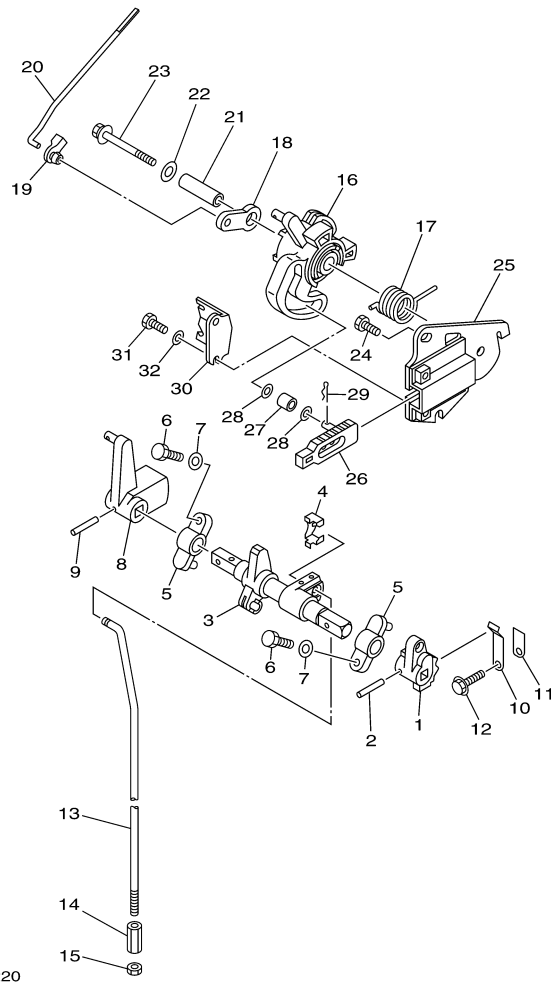
6AU5110-L180

## Part List

F20LPHA\_0112 / STEERING FRICTION

| REF<br>-<br>NO | PART<br>NUMBER  | PART NAME              | QUANTITY | REMARKS |
|----------------|-----------------|------------------------|----------|---------|
| 1              | 6AH-42508-11-00 | STEERING FRICTION ASSY | 1        |         |
| 2              | 68T-42525-01-00 | .PLATE, FRICTION       | 1        |         |
| 3              | 90119-05018-00  | .BOLT, WITH WASHER     | 2        |         |
| 4              | 67C-42562-00-00 | .SHAFT, STEERING LOCK  | 1        |         |
| 5              | 90202-10M56-00  | .WASHER, PLATE         | 1        |         |
| 6              | 68T-42561-00-00 | .KNOB, STEERING LOCK   | 1        |         |
| 7              | 689-43633-00-00 | .COVER, TILT LEVER     | 1        |         |
| 8              | 65W-42528-00-00 | .PLATE, FRICTION       | 2        |         |
| 9              | 90387-05053-00  | .COLLAR                | 1        |         |
| 10             | 90387-05054-00  | .COLLAR                | 1        |         |
| 11             | 97095-05020-00  | .BOLT                  | 1        |         |
| 12             | 92995-05600-00  | .WASHER                | 1        |         |
| 13             | 90209-10M26-00  | .WASHER                | 1        |         |
| 14             | 90185-10M14-00  | .NUT, SELF-LOCKING     | 1        |         |
| 15             | 6AH-42527-00-00 | .PLATE, FRICTION       | 1        |         |
| 16             | 90101-08022-00  | .BOLT                  | 2        |         |
| 17             | 90201-08065-00  | .WASHER, PLATE         | 2        |         |
| 19             | 90201-106M5-00  | .WASHER, PLATE         | 1        |         |

F20LPHA\_0112 / CONTROL 1



©2014 Yamaha Motor Corporation, U.S.A. All rights reserved.

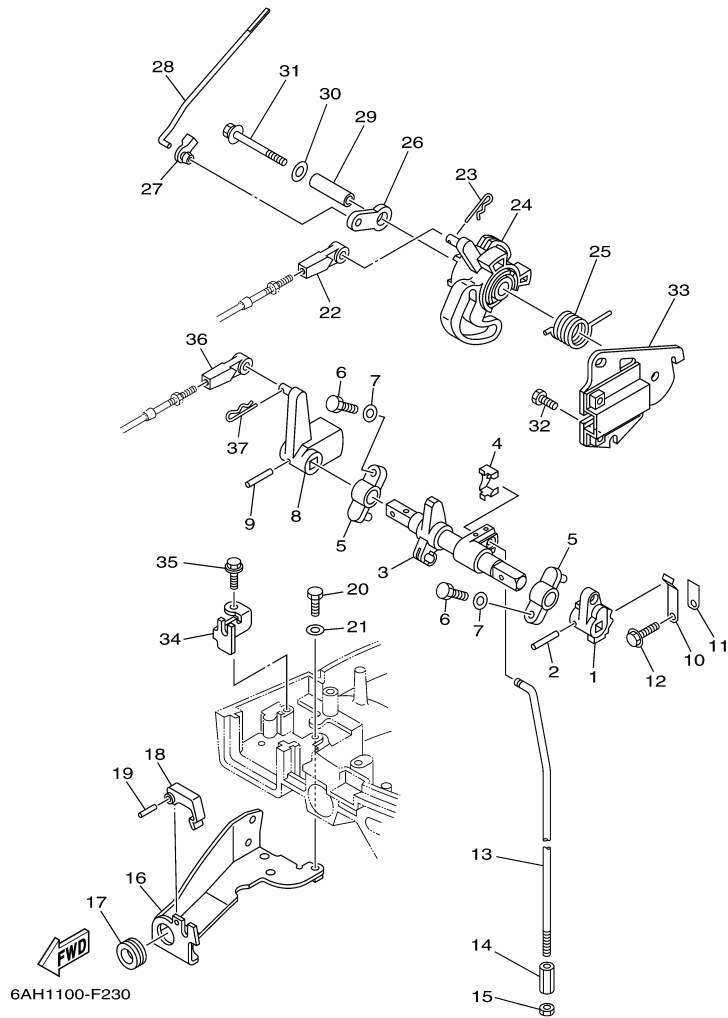


## Part List

F20LPHA\_0112 / CONTROL 1

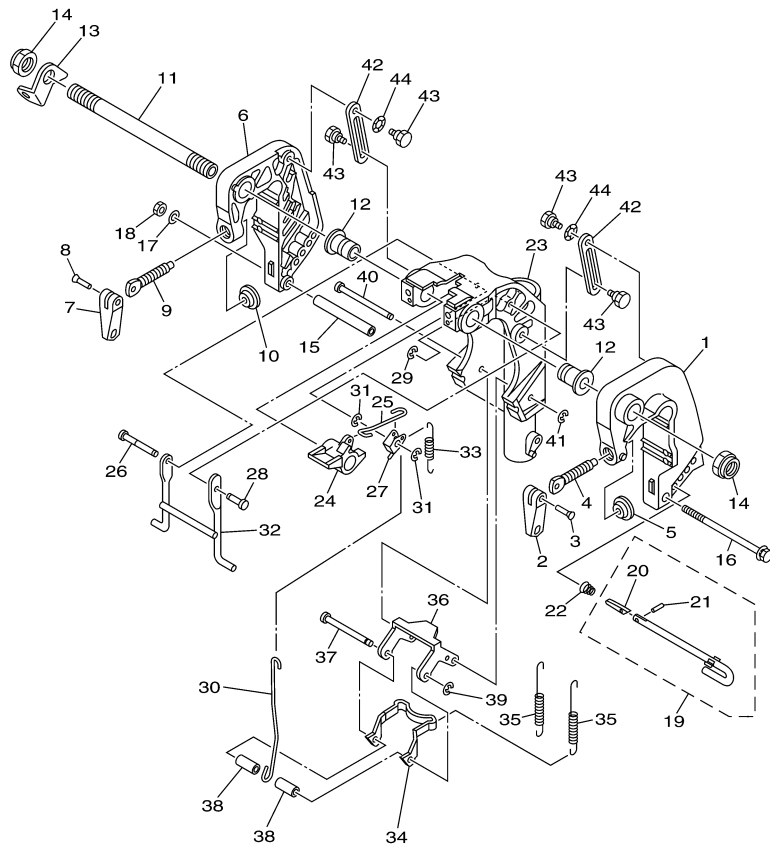
| REF<br>-<br>NO | PART<br>NUMBER  | PART NAME           | QUANTITY | REMARKS  |
|----------------|-----------------|---------------------|----------|----------|
| 1              | 6AH-44123-00-00 | ARM, SHIFT ROD      | 1        |          |
| 2              | 90254-03M05-00  | PIN, SPRING         | 1        |          |
| 3              | 6AH-44121-00-00 | LEVER, SHIFT ROD    | 1        |          |
| 4              | 6AH-26364-00-00 | END, CABLE 2        | 1        |          |
| 5              | 6G1-41662-01-94 | BRACKET 2           | 2        |          |
| 6              | 97095-06020-00  | BOLT                | 2        |          |
| 7              | 92995-06600-00  | WASHER              | 2        |          |
| 8              | 6AH-44125-00-00 | LEVER, SHIFT ROD    | 1        |          |
| 9              | 90254-03M05-00  | PIN, SPRING         | 1        |          |
| 10             | 65W-44116-00-00 | SPRING              | 1        |          |
| 11             | 66R-44114-00-00 | STOPPER             | 1        |          |
| 12             | 95895-06014-00  | BOLT, FLANGE        | 1        |          |
| 13             | 6AH-44143-10-00 | ROD, SHIFT          | 1        | L(22.1") |
| 14             | 90170-06015-00  | NUT                 | 1        |          |
| 15             | 95380-06700-00  | NUT                 | 1        |          |
| 16             | 6AH-41638-00-00 | PULLEY              | 1        |          |
| 17             | 90508-20M44-00  | SPRING, TORSION     | 1        |          |
| 18             | 65W-41283-00-00 | .LEVER, FREE ACCEL. | 1        |          |
| 19             | 6J8-41262-00-00 | JOINT, CHOKE LEVER  | 1        |          |
| 20             | 6AH-41211-00-00 | LINK, ACCEL.        | 1        |          |
| 21             | 90387-06139-00  | .COLLAR             | 1        |          |
| 22             | 90201-06M31-00  | .WASHER, PLATE      | 1        |          |
| 23             | 97595-06555-00  | BOLT, WITH WASHER   | 1        |          |
| 24             | 97095-06014-00  | BOLT                | 2        |          |
| 25             | 6AH-14571-00-00 | BRACKET, THROTTLE   | 1        |          |
| 26             | 6AH-44167-00-00 | PLUNGER, SHIFT CAM  | 1        |          |
| 27             | 62Y-42171-00-00 | BUSHING             | 1        |          |
| 28             | 90201-05M04-00  | WASHER, PLATE       | 2        |          |
| 29             | 90468-10005-00  | CLIP                | 1        |          |
| 30             | 6AH-14497-00-00 | STAY, THROTTLE WIRE | 1        |          |
| 31             | 97095-06014-00  | BOLT                | 2        |          |
| 32             | 92995-06600-00  | WASHER              | 2        |          |

F20LPHA\_0112 / CONTROL 2



©2014 Yamaha Motor Corporation, U.S.A. All rights reserved.

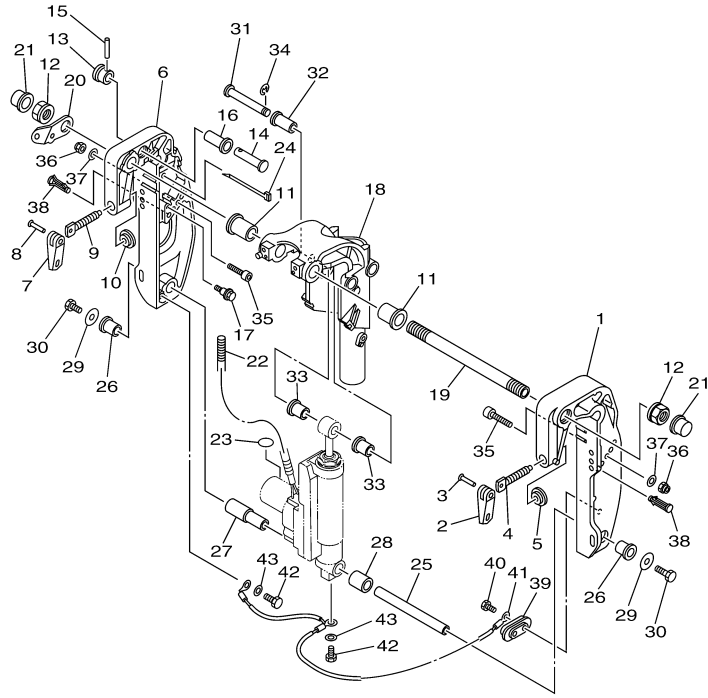
F20LPHA\_0112 / BRACKET 1



6AH1300-F230

©2014 Yamaha Motor Corporation, U.S.A. All rights reserved.

F20LPHA\_0112 / BRACKET 2



6AH1300-F240


## Part List

F20LPHA\_0112 / BRACKET 2

| REF - NO | PART NUMBER     | PART NAME                 | QUANTITY | REMARKS            |
|----------|-----------------|---------------------------|----------|--------------------|
| 1        | 69A-43111-01-4D | BRACKET, CLAMP 1          | 1        |                    |
| 2        | 6E0-43118-01-00 | HANDLE, TRANSOM CLAMP     | 1        |                    |
| 3        | 90243-04M01-00  | PIN                       | 1        |                    |
| 4        | 6E7-43116-00-00 | SCREW, TRANSOM CLAMP      | 1        |                    |
| 5        | 648-43114-01-00 | PAD, TRANSOM CLAMP        | 1        |                    |
| 6        | 69A-43112-01-4D | BRACKET, CLAMP 2          | 1        |                    |
| 7        | 6E0-43118-01-00 | HANDLE, TRANSOM CLAMP     | 1        |                    |
| 8        | 90243-04M01-00  | PIN                       | 1        |                    |
| 9        | 6E7-43116-00-00 | SCREW, TRANSOM CLAMP      | 1        |                    |
| 10       | 648-43114-01-00 | PAD, TRANSOM CLAMP        | 1        |                    |
| 11       | 90386-22MA4-00  | BUSH                      | 2        |                    |
| 12       | 90185-22043-00  | NUT, SELF-LOCKING         | 2        |                    |
| 13       | 65W-43192-00-00 | KNOB, STOPPER             | 1        |                    |
| 14       | 65W-43191-00-00 | SHAFT, STOPPER            | 1        |                    |
| 15       | 91690-30018-00  | PIN, SPRING               | 1        |                    |
| 16       | 90386-14MA1-00  | BUSH                      | 1        |                    |
| 17       | 90109-06MA1-00  | BOLT                      | 1        |                    |
| 18       | 69A-43311-11-4D | BRACKET, SWIVEL 1         | 1        | L(22.1")           |
| 19       | 69A-43131-00-00 | BOLT, CLAMP BRACKET       | 1        | FOR REMOTE CONTROL |
| 20       | 69A-43113-00-00 | PLATE, CLAMP BRACKET      | 1        |                    |
| 21       | 6G5-43145-01-00 | CAP, CLAMP BRACKET        | 2        |                    |
| 22       | 90446-14MH7-00  | HOSE (L560)               | 1        |                    |
| 23       | 69A-43155-00-00 | MARK 1                    | 1        |                    |
| 24       | 90465-13M97-00  | CLAMP                     | 1        |                    |
| 25       | 69G-43818-00-00 | PIN, LOWER SHOCK MOUNT    | 1        |                    |
| 26       | 90386-16MA7-00  | BUSH                      | 2        |                    |
| 27       | 90386-16MA8-00  | BUSH                      | 1        |                    |
| 28       | 90387-16M02-00  | COLLAR                    | 1        |                    |
| 29       | 90201-08M00-00  | WASHER, PLATE             | 2        |                    |
| 30       | 97080-08016-00  | BOLT                      | 2        |                    |
| 31       | 90249-12M36-00  | PIN                       | 1        |                    |
| 32       | 90381-12M10-00  | BUSH, SOLID               | 1        |                    |
| 33       | 90381-12M11-00  | BUSH, SOLID               | 2        |                    |
| 34       | 99080-10600-00  | CIRCLIP                   | 1        |                    |
| 35       | 90110-08081-00  | BOLT, HEXAGON SOCKET HEAD | 2        |                    |
| 36       | 90185-08057-00  | NUT, SELF-LOCKING         | 2        |                    |
| 37       | 92990-08600-00  | .WASHER, PLATE            | 2        |                    |
| 38       | 90338-08M19-00  | PLUG                      | 2        | L(22.1")           |
| 39       | 65W-45251-00-00 | ANODE                     | 1        |                    |
| 40       | 90101-06020-00  | BOLT                      | 2        |                    |
| 41       | 63V-82127-00-00 | WIRE, LEAD 2              | 1        |                    |
| 42       | 97095-06010-00  | BOLT                      | 2        |                    |
| 43       | 92995-06600-00  | WASHER                    | 2        |                    |

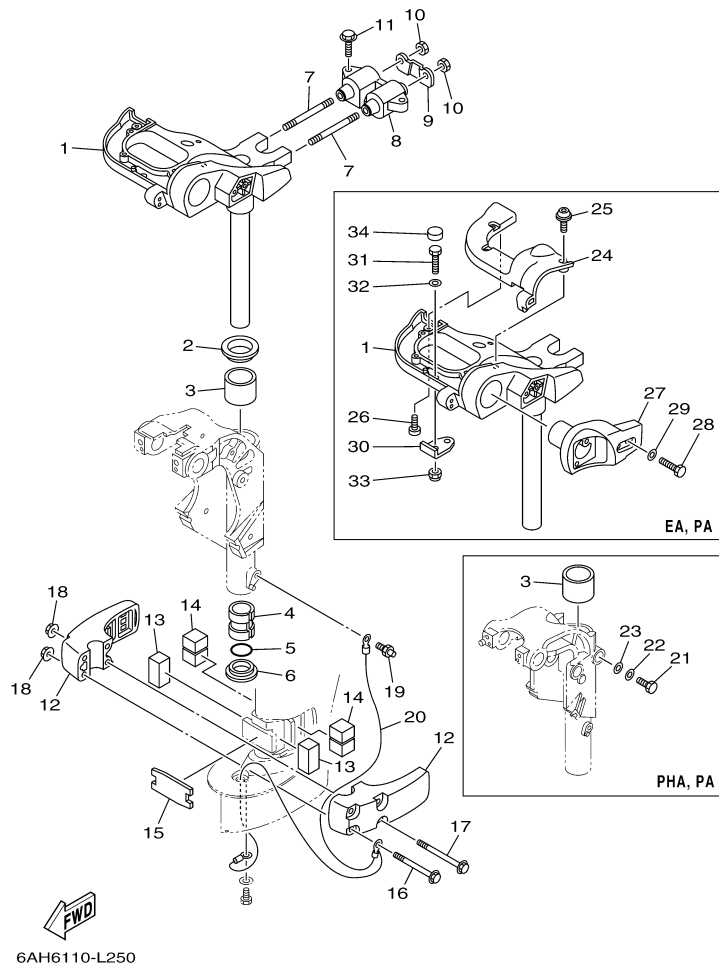
## Part Notes

F20LPHA\_0112 / BRACKET 2

| PART NUMBER   | NOTE TEXT  |
|---|--|
| 65W-45251-00-00  | OEM: This part number is among the Top 100 Most Popular Marine Maintenance Parts as of March 2014. |

©2014 Yamaha Motor Corporation, U.S.A. All rights reserved.

F20LPHA\_0112 / BRACKET 3



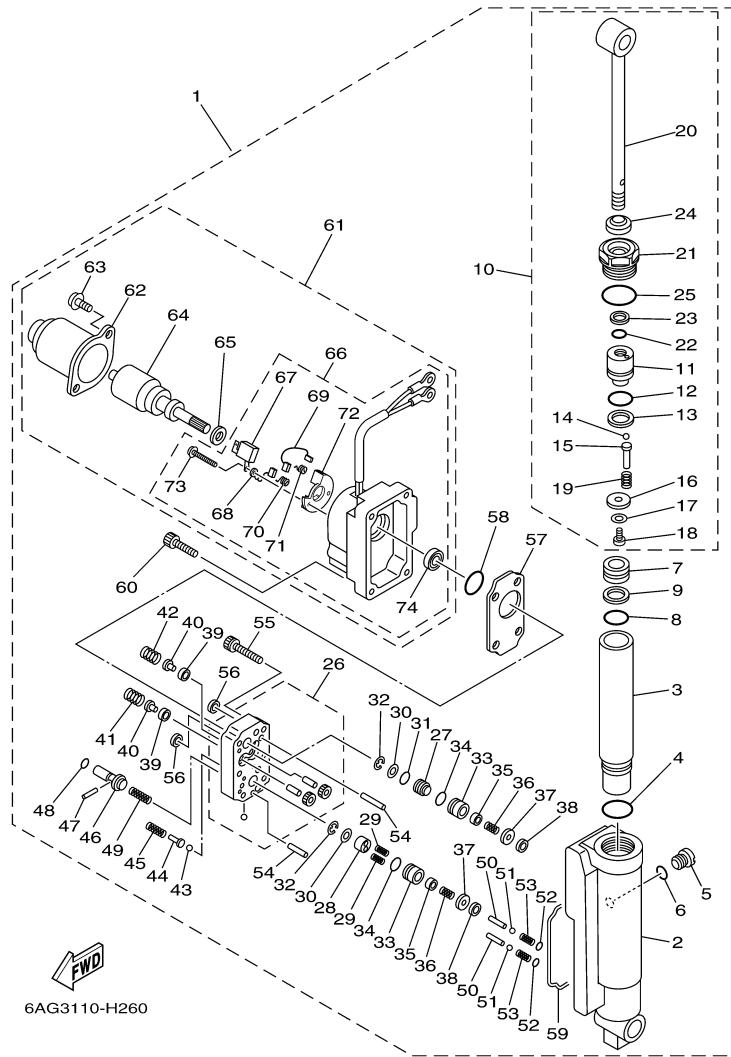
©2014 Yamaha Motor Corporation, U.S.A. All rights reserved.

## Part List

F20LPHA\_0112 / BRACKET 3

| REF<br>-<br>NO | PART<br>NUMBER  | PART NAME                        | QUANTITY | REMARKS  |
|----------------|-----------------|----------------------------------|----------|----------|
| 1              | 6AH-42510-10-4D | STEERING BRACKET ASSY            | 1        | L(22.1") |
| 2              | 90209-40008-00  | WASHER                           | 1        |          |
| 3              | 90386-40001-00  | BUSH                             | 1        |          |
| 4              | 90386-30048-00  | BUSH                             | 1        |          |
| 5              | 93210-29M94-00  | O-RING                           | 1        |          |
| 6              | 90386-30M60-00  | BUSH                             | 1        |          |
| 7              | 90116-10033-00  | BOLT, STUD                       | 2        |          |
| 8              | 6AH-44514-00-00 | MOUNT DAMPER, UPPER<br>SIDE      | 1        |          |
| 9              | 6AH-44526-00-00 | PLATE                            | 1        |          |
| 10             | 95380-10600-00  | NUT                              | 2        |          |
| 11             | 90119-08094-00  | BOLT, WITH WASHER                | 2        |          |
| 12             | 6AH-44551-00-4D | HOUSING, LOWER MOUNT<br>RUBBER 1 | 2        |          |
| 13             | 6AH-44557-00-00 | MOUNT DAMPER, LOWER<br>FRONT     | 2        |          |
| 14             | 6AH-44555-00-00 | MOUNT DAMPER, LOWER<br>SIDE      | 2        |          |
| 15             | 6AH-44574-00-00 | STOPPER, LOWER MOUNT<br>RUBBER   | 1        |          |
| 16             | 90119-08M45-00  | BOLT, WITH WASHER                | 2        |          |
| 17             | 90119-08M46-00  | BOLT, WITH WASHER                | 2        |          |
| 18             | 90179-08M34-00  | NUT                              | 4        |          |
| 19             | 93700-06M03-00  | NIPPLE, GREASE                   | 1        |          |
| 20             | 6AH-82127-11-00 | WIRE, LEAD 2                     | 1        | L(22.1") |
| 21             | 97095-06014-00  | BOLT                             | 1        |          |
| 22             | 92995-06600-00  | WASHER                           | 1        |          |
| 23             | 92995-06600-00  | WASHER                           | 1        |          |

F20LPHA\_0112 / POWER TILT ASSY



©2014 Yamaha Motor Corporation, U.S.A. All rights reserved.



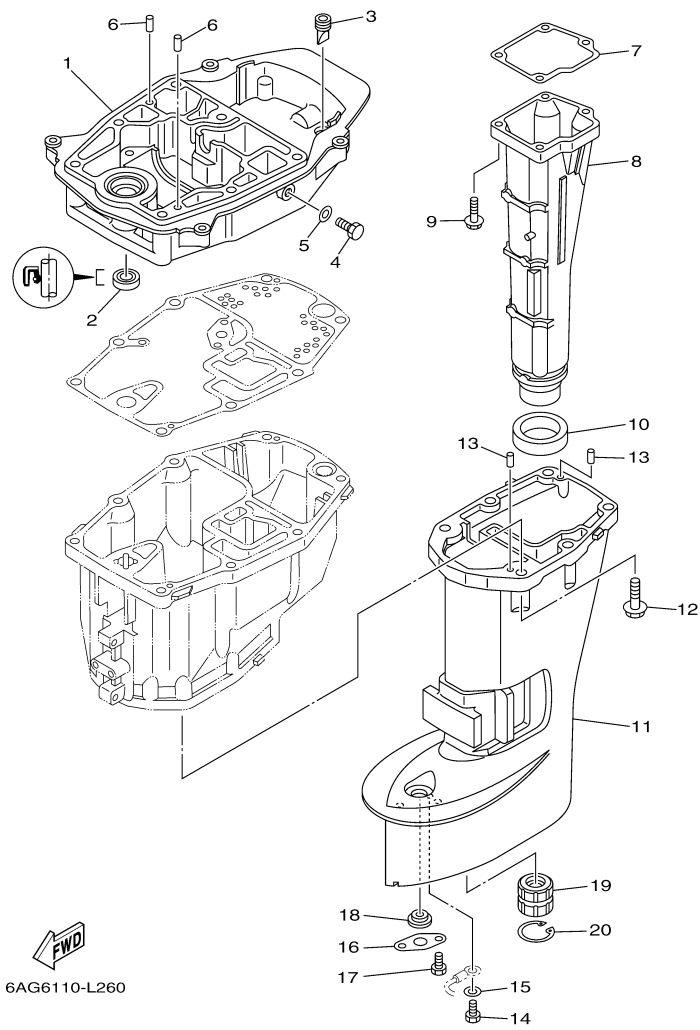
## Part List

F20LPHA\_0112 / POWER TILT ASSY

| REF<br>-<br>NO | PART<br>NUMBER  | PART NAME                    | QUANTITY | REMARKS |
|----------------|-----------------|------------------------------|----------|---------|
| 1              | 6AH-43840-01-4D | POWER TILT ASSY              | 1        |         |
| 2              | 6AH-4380K-00-00 | .CYLINDER, TILT SUB ASSY     | 1        |         |
| 3              | 6AH-22471-00-00 | .CYLINDER, SHOCK<br>ABSORBER | 1        |         |
| 4              | 93210-320A7-00  | .O-RING                      | 1        |         |
| 5              | 6H1-4388E-11-00 | .PLUG, TAPER SCREW           | 1        |         |
| 6              | 93210-07003-00  | .O-RING                      | 1        |         |
| 7              | 6AH-43814-00-00 | .PISTON, FREE                | 1        |         |
| 8              | 93210-24709-00  | .O-RING                      | 1        |         |
| 9              | 6C5-43871-00-00 | .RING, BACK UP               | 1        |         |
| 10             | 6AH-43810-00-00 | .TILT PISTON SUB ASSY        | 1        |         |
| 11             | 6AH-4380D-00-00 | ..PISTON COMP                | 1        |         |
| 12             | 93210-24709-00  | ..O-RING                     | 1        |         |
| 13             | 6C5-43871-00-00 | ..RING, BACK UP              | 1        |         |
| 14             | 93501-08001-00  | ..BALL                       | 5        |         |
| 15             | 6AH-4386A-00-00 | ..PIN, ABSORBER VALVE        | 5        |         |
| 16             | 6AH-4385E-00-00 | ..PLATE, PISTON              | 1        |         |
| 17             | 92902-06200-00  | ..WASHER                     | 1        |         |
| 18             | 6AH-43878-00-00 | ..BOLT, SOCKET               | 1        |         |
| 19             | 6AH-43857-00-00 | ..SPRING, ABSORBER VALVE     | 5        |         |
| 20             | 6AH-43801-00-00 | ..ROD                        | 1        |         |
| 21             | 6AH-43811-00-00 | ..SCREW, CYLINDER END        | 1        |         |
| 22             | 6H1-43866-00-00 | ..O-RING                     | 1        |         |
| 23             | 69A-43871-00-00 | ..RING, BACK UP              | 1        |         |
| 24             | 69A-43812-00-00 | ..SEAL, DUST                 | 1        |         |
| 25             | 62X-43862-00-00 | ..O-RING                     | 1        |         |
| 26             | 6AH-43830-00-00 | .GEAR PUMP ASSY              | 1        |         |
| 27             | 69A-43841-00-00 | .PISTON, SHUTTLE             | 1        |         |
| 28             | 69A-4384M-00-00 | .PISTON, SHUTTLE 2           | 1        |         |
| 29             | 62Y-43894-00-00 | .SPRING, SHUTTLE RETURN      | 2        |         |
| 30             | 69A-4384F-00-00 | .SEAL, MAIN VALVE            | 2        |         |
| 31             | 6H1-43883-00-00 | .O-RING                      | 1        |         |
| 32             | 99002-03600-00  | .CLIP                        | 2        |         |
| 33             | 69G-4382G-00-00 | .VALVE SEAT                  | 2        |         |
| 34             | 93210-12N52-00  | .O-RING                      | 2        |         |
| 35             | 6T4-43808-00-00 | .SEAT VALVE COMP 1           | 2        |         |
| 36             | 69G-43853-00-00 | .SPRING, MAIN VALVE          | 2        |         |
| 37             | 69G-4388F-00-00 | .SPACER                      | 2        |         |
| 38             | 69J-4381C-00-00 | .FILTER 3                    | 2        |         |
| 39             | 6H1-4384G-11-00 | .SEAL, RELIEF VALVE          | 2        |         |
| 40             | 6H1-43844-10-00 | .PIN, VALVE SUPPORT          | 2        |         |
| 41             | 6F2-43855-00-00 | .SPRING, UP RELIEF           | 1        |         |
| 42             | 6H1-43856-10-00 | .SPRING, DOWN RELIEF         | 1        |         |
| 43             | 93501-08001-00  | .BALL                        | 2        |         |
| 44             | 69A-4386A-00-00 | .PIN, ABSORBER VALVE         | 2        |         |
| 45             | 69A-43824-00-00 | .SPRING, DOWN RELIEF 2       | 2        |         |
| 46             | 69A-43848-00-00 | .ROD, MANUAL RELEASE         | 1        |         |
| 47             | 93602-15250-00  | .PIN, DOWEL                  | 1        |         |
| 48             | 93210-06001-00  | .O-RING                      | 1        |         |
| 49             | 6AH-43854-00-00 | .SPRING, MANUAL RELEASE      | 1        |         |
| 50             | 69A-4381G-00-00 | .PIN 1                       | 2        |         |
| 51             | 93501-08001-00  | .BALL                        | 2        |         |
| 52             | 6H1-43883-00-00 | .O-RING                      | 2        |         |
| 53             | 69A-4384H-00-00 | .SPRING                      | 2        |         |
| 54             | 93606-14081-00  | .PIN, DOWEL                  | 2        |         |
| 55             | 91318-05025-00  | .BOLT                        | 6        |         |
| 56             | 69J-4381C-00-00 | .FILTER 3                    | 2        |         |
| 57             | 6AH-4381J-00-00 | .PLATE                       | 1        |         |
| 58             | N35-43862-10-00 | .O-RING                      | 1        |         |
| 59             | 69A-23129-00-00 | .GASKET, DRAIN PLUG          | 1        |         |
| 60             | 69A-43878-00-00 | .BOLT, SOCKET                | 4        |         |

|    |                 |                         |   |  |
|----|-----------------|-------------------------|---|--|
| 61 | 69A-43880-01-00 | .MOTOR ASSY             | 1 |  |
| 62 | 65W-43804-01-00 | ..STATOR ASSY           | 1 |  |
| 63 | 65W-43887-01-00 | ..BOLT                  | 2 |  |
| 64 | 65W-43805-01-00 | ..ARMATURE ASSY         | 1 |  |
| 65 | 65W-4387G-00-00 | ..WASHER                | 1 |  |
| 66 | 69A-43881-01-00 | ..FRAME, END            | 1 |  |
| 67 | 65W-82181-00-00 | ...CIRCUIT BREAKER COMP | 1 |  |
| 68 | 65W-43892-01-00 | ...BRUSH 2              | 1 |  |
| 69 | 65W-43891-01-00 | ...BRUSH 1              | 1 |  |
| 70 | 65W-4386K-01-00 | ...SPRING, BRUSH        | 1 |  |
| 71 | 65W-4386L-00-00 | ...SPRING, BRUSH 2      | 1 |  |
| 72 | 65W-4380F-01-00 | ...PLATE, BRUSH HOLDER  | 1 |  |
| 73 | 65W-43879-01-00 | ...SCREW, WITH WASHER   | 2 |  |
| 74 | 65W-43882-01-00 | ...OIL SEAL             | 1 |  |

F20LPHA\_0112 / UPPER CASING



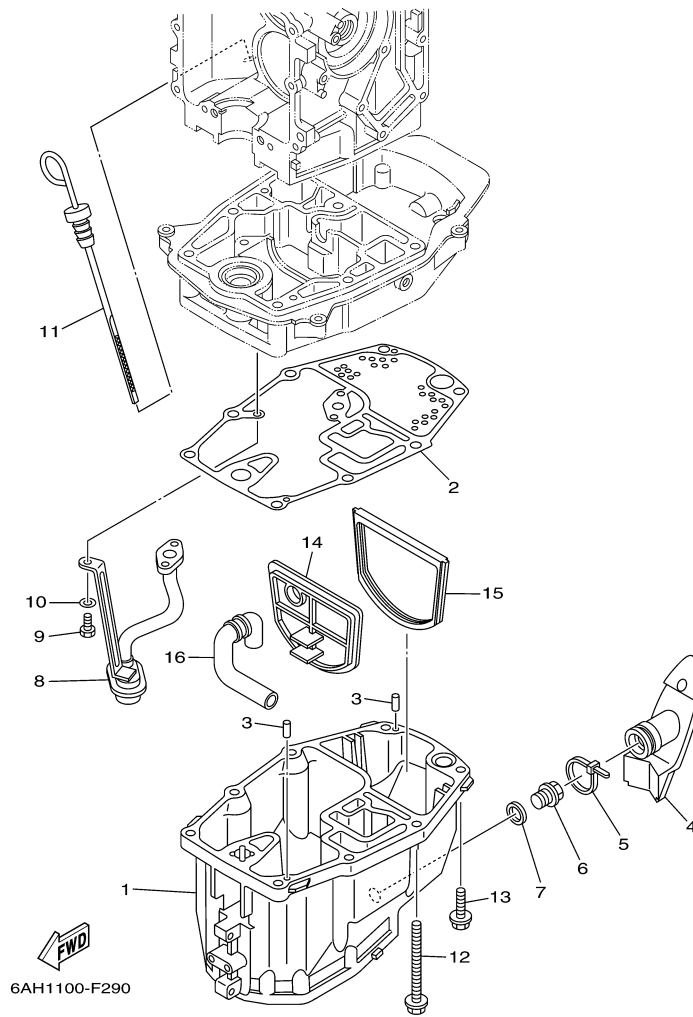
6AG6110-L260

## Part List

F20LPHA\_0112 / UPPER CASING

| REF<br>-<br>NO | PART<br>NUMBER  | PART NAME                    | QUANTITY | REMARKS  |
|----------------|-----------------|------------------------------|----------|----------|
| 1              | 6AH-41137-00-CA | GUIDE, EXHAUST               | 1        |          |
| 2              | 93101-12M63-00  | .OIL SEAL                    | 1        |          |
| 3              | 65W-42717-00-00 | RUBBER, SEAL 2               | 1        |          |
| 4              | 97095-08014-00  | BOLT                         | 1        |          |
| 5              | 90430-08143-00  | GASKET                       | 1        |          |
| 6              | 93606-19M23-00  | PIN, DOWEL                   | 2        |          |
| 7              | 6AH-41134-00-00 | .GASKET, EXHAUST<br>MANIFOLD | 1        |          |
| 8              | 6AH-14711-10-CA | MUFFLER 1                    | 1        | L(22.1") |
| 9              | 97575-06525-00  | BOLT, WITH WASHER            | 4        |          |
| 10             | 6AH-41138-00-00 | .SEAL, EXT. 1                | 1        |          |
| 11             | 6AH-45111-10-4D | CASING, UPPER                | 1        | L(22.1") |
| 12             | 97575-08530-00  | BOLT, WITH WASHER            | 6        |          |
| 13             | 93604-12M07-00  | PIN, DOWEL                   | 2        |          |
| 14             | 97095-05010-00  | BOLT                         | 1        |          |
| 15             | 92995-05600-00  | WASHER                       | 1        |          |
| 16             | 68T-45321-00-00 | PLATE                        | 1        |          |
| 17             | 97095-06008-00  | BOLT                         | 1        |          |
| 18             | 90480-14M54-00  | GROMMET                      | 1        |          |
| 19             | 682-45318-00-00 | BUSHING, DRIVE SHAFT         | 1        | L(22.1") |
| 20             | 93420-30042-00  | CIRCLIP                      | 1        | L(22.1") |

F20LPHA\_0112 / OIL PAN



©2014 Yamaha Motor Corporation, U.S.A. All rights reserved.


## Part List

F20LPHA\_0112 / OIL PAN

| REF - NO | PART NUMBER     | PART NAME             | QUANTITY | REMARKS |
|----------|-----------------|-----------------------|----------|---------|
| 1        | 6AH-15311-00-CA | OIL PAN               | 1        |         |
| 2        | 6AH-15312-00-00 | .GASKET, OIL PAN      | 1        |         |
| 3        | 93604-12M07-00  | PIN, DOWEL            | 2        |         |
| 4        | 6AH-15316-00-00 | DAMPER 1              | 1        |         |
| 5        | 90465-11M59-00  | CLAMP                 | 1        |         |
| 6        | 90340-14M06-00  | PLUG, STRAIGHT SCREW  | 1        |         |
| 7        | 90430-14M09-00  | .GASKET               | 1        |         |
| 8        | 6AH-13411-00-00 | STRAINER, OIL         | 1        |         |
| 9        | 97013-06016-00  | BOLT                  | 3        |         |
| 10       | 92903-06600-00  | WASHER, PLATE         | 3        |         |
| 11       | 6AH-15362-00-00 | PLUG, OIL LEVEL       | 1        |         |
| 12       | 90119-08103-00  | BOLT, WITH WASHER     | 6        |         |
| 13       | 97575-08530-00  | BOLT, WITH WASHER     | 2        |         |
| 14       | 6AH-45126-00-00 | .PLATE, SEAL DAMPER   | 1        |         |
| 15       | 6AH-45115-00-00 | .GASKET, UPPER CASING | 1        |         |
| 16       | 6AH-45135-00-00 | PIPE                  | 1        |         |

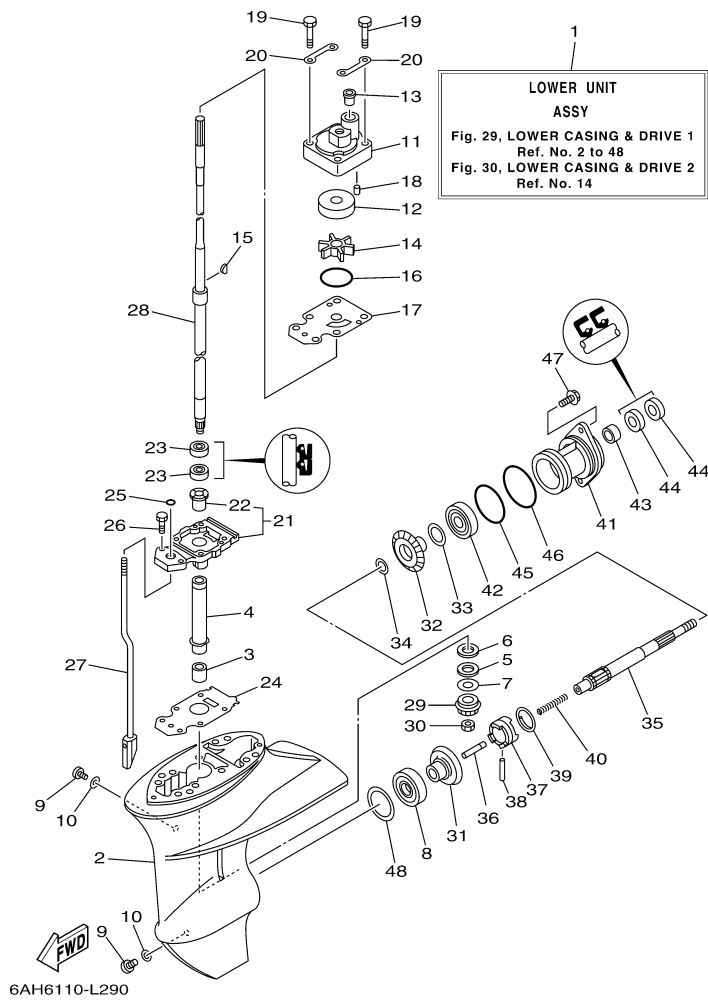
## Part Notes

F20LPHA\_0112 / OIL PAN

| PART NUMBER  | NOTE TEXT  |
|--|--|
| 90430-14M09-00  | OEM: This part number is among the Top 100 Most Popular Marine Maintenance Parts as of March 2014. |

©2014 Yamaha Motor Corporation, U.S.A. All rights reserved.

F20LPHA\_0112 / LOWER CASING DRIVE 1



©2014 Yamaha Motor Corporation, U.S.A. All rights reserved.

## Part List

F20LPHA\_0112 / LOWER CASING DRIVE 1


| REF - NO | PART NUMBER     | PART NAME               | QUANTITY | REMARKS  |
|----------|-----------------|-------------------------|----------|----------|
| 1        | 6AH-45300-10-4D | LOWER UNIT ASSY         | 1        | L(22.1") |
| 2        | 6AH-45311-00-4D | CASING, LOWER           | 1        |          |
| 3        | 93315-314V8-00  | BEARING                 | 1        |          |
| 4        | 63V-45536-00-00 | SLEEVE, DRIVE SHAFT     | 1        |          |
| 5        | 90209-14011-00  | WASHER                  | 1        |          |
| 6        | 90201-15017-00  | WASHER, PLATE           | 1        |          |
| 7        | 6E8-45587-30-00 | SHIM (T:1.20MM)         | 1        | UR       |
| 7        | 6E8-45587-10-00 | SHIM (T:1.13MM)         | 1        | UR       |
| 8        | 93332-00005-00  | BEARING                 | 1        |          |
| 9        | 90340-08002-00  | PLUG, STRAIGHT SCREW    | 2        |          |
| 10       | 90430-08020-00  | .GASKET                 | 2        |          |
| 11       | 6AH-44311-00-00 | .HOUSING, WATER PUMP    | 1        |          |
| 12       | 63V-44322-00-00 | .INSERT, CARTRIDGE      | 1        |          |
| 13       | 6L2-44367-00-00 | .DAMPER, WATER SEAL 3   | 1        |          |
| 14       | 63V-44352-01-00 | .IMPELLER               | 1        |          |
| 15       | 664-44338-00-00 | .KEY, WOODRUFF          | 1        |          |
| 16       | 93210-49046-00  | .O-RING                 | 1        |          |
| 17       | 68T-44323-00-00 | .OUTER PLATE, CARTRIDGE | 1        |          |
| 18       | 93604-12M07-00  | PIN, DOWEL              | 2        |          |
| 19       | 97095-08045-00  | .BOLT                   | 4        |          |
| 20       | 63V-44328-01-00 | PLATE                   | 2        |          |
| 21       | 69G-45331-01-CA | HOUSING, BEARING        | 1        |          |
| 22       | 626-45316-09-00 | .BUSHING, DRIVE SHAFT   | 1        |          |
| 23       | 93101-20001-00  | .OIL SEAL               | 2        |          |
| 24       | 69G-45315-A0-00 | .PACKING, LOWER CASING  | 1        |          |
| 25       | 93210-06ME6-00  | .O-RING                 | 1        |          |
| 26       | 97080-08025-00  | BOLT                    | 2        |          |
| 27       | 6AH-44150-10-00 | SHIFT CAM ASSY          | 1        | L(22.1") |
| 28       | 6AH-45510-10-00 | DRIVE SHAFT ASSY        | 1        | L(22.1") |
| 29       | 63V-45551-00-00 | PINION (13T)            | 1        |          |
| 30       | 90179-08M06-00  | NUT                     | 1        |          |
| 31       | 6E7-45560-01-00 | GEAR 1 (27T)            | 1        |          |
| 32       | 6E7-45571-00-00 | GEAR 2 (27T)            | 1        |          |
| 33       | 626-45577-00-00 | SHIM (T:0.10MM)         | 1        | UR       |
| 33       | 626-45577-10-00 | SHIM (T:0.20MM)         | 1        | UR       |
| 33       | 626-45577-40-00 | SHIM (T:0.50MM)         | 1        | UR       |
| 33       | 626-45577-30-00 | SHIM (T:0.40MM)         | 1        | UR       |
| 33       | 626-45577-20-00 | SHIM (T:0.30MM)         | 1        | UR       |
| 34       | 90201-17682-00  | WASHER, PLATE           | 1        |          |
| 35       | 683-45611-00-00 | SHAFT, PROPELLER        | 1        |          |
| 36       | 650-45635-00-00 | PLUNGER, SHIFT          | 1        |          |
| 37       | 682-45631-00-00 | CLUTCH, DOG             | 1        |          |
| 38       | 90250-05010-00  | PIN, STRAIGHT           | 1        |          |
| 39       | 648-45633-00-00 | RING, CROSS PIN         | 1        |          |
| 40       | 90501-150A0-00  | SPRING, COMPRESSION     | 1        |          |
| 41       | 683-45361-02-4D | CAP, LOWER CASING       | 1        |          |
| 42       | 93306-00501-00  | BEARING                 | 1        |          |
| 43       | 93315-317U2-00  | BEARING                 | 1        |          |
| 44       | 93101-17054-00  | .OIL SEAL               | 2        |          |
| 45       | 93210-57M09-00  | .O-RING                 | 1        |          |
| 46       | 93210-56M80-00  | .O-RING                 | 1        |          |
| 47       | 97575-06520-00  | BOLT, WITH WASHER       | 2        |          |
| 48       | 664-45567-01-00 | SHIM (T:0.10MM)         | 1        | UR       |
| 48       | 664-45567-10-00 | SHIM (T:0.12MM)         | 1        | UR       |
| 48       | 664-45567-20-00 | SHIM (T:0.15MM)         | 1        | UR       |
| 48       | 664-45567-60-00 | SHIM (T:0.50MM)         | 1        | UR       |
| 48       | 664-45567-40-00 | SHIM (T:0.30MM)         | 1        | UR       |
| 48       | 664-45567-50-00 | SHIM (T:0.40MM)         | 1        | UR       |
| 48       | 664-45567-30-00 | SHIM (T:0.18MM)         | 1        | UR       |

## Part Notes

F20LPHA\_0112 / LOWER CASING DRIVE 1

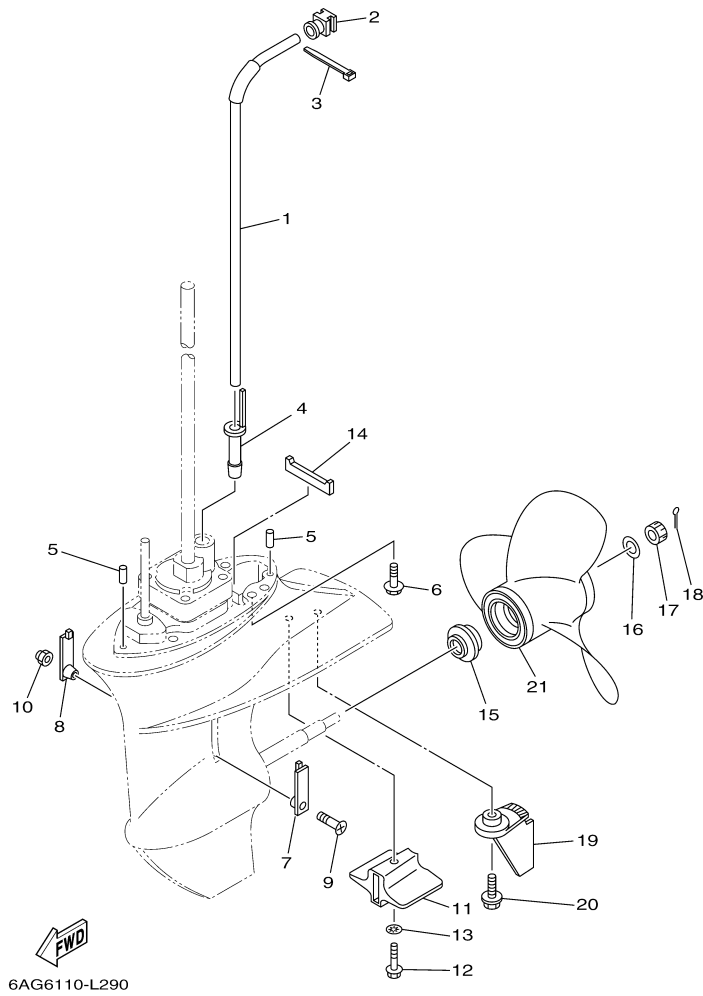


---

| PART NUMBER    |   | NOTE TEXT  |
|----------------|---|--|
| 90430-08020-00 |  | OEM: This part number is among the Top 100 Most Popular Marine Maintenance Parts as of March 2014. |

©2014 Yamaha Motor Corporation, U.S.A. All rights reserved.

F20LPHA\_0112 / LOWER CASING DRIVE 2



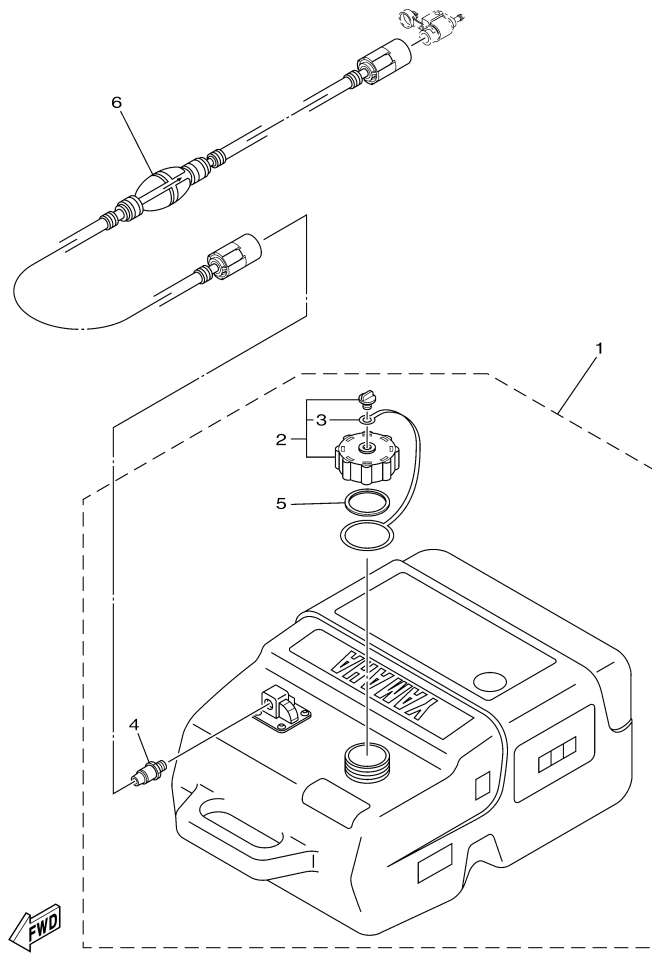
©2014 Yamaha Motor Corporation, U.S.A. All rights reserved.

## Part List

F20LPHA\_0112 / LOWER CASING DRIVE 2

| REF<br>-<br>NO | PART<br>NUMBER  | PART NAME                      | QUANTITY | REMARKS  |
|----------------|-----------------|--------------------------------|----------|----------|
| 1              | 6AH-44361-11-00 | TUBE, WATER 1                  | 1        | L(22.1") |
| 2              | 6AH-44365-00-00 | .DAMPER, WATER SEAL 1          | 1        |          |
| 3              | 90465-11M10-00  | CLAMP                          | 1        |          |
| 4              | 6AH-44368-00-00 | .RUBBER, WATER SEAL 4          | 1        |          |
| 5              | 93604-12M07-00  | PIN, DOWEL                     | 2        |          |
| 6              | 97575-08530-00  | BOLT, WITH WASHER              | 4        |          |
| 7              | 6G1-45214-00-00 | COVER, WATER INLET 1           | 1        |          |
| 8              | 63V-45215-00-00 | COVER, WATER INLET 2           | 1        |          |
| 9              | 90152-05011-00  | SCREW, COUNTERSUNK             | 1        |          |
| 10             | 90185-05002-00  | NUT, NYLON                     | 1        |          |
| 11             | 6AH-45251-00-00 | ANODE                          | 1        |          |
| 12             | 95895-06035-00  | BOLT, FLANGE                   | 1        |          |
| 13             | 92990-06300-00  | WASHER, INTERNAL TOOTH         | 1        |          |
| 14             | 63V-45375-00-00 | DAMPER, SEAL                   | 1        |          |
| 15             | 6E7-45987-01-00 | SPACER 1                       | 1        |          |
| 16             | 90201-10M01-00  | WASHER, PLATE                  | 1        |          |
| 17             | 90171-10M01-00  | NUT, CASTLE                    | 1        |          |
| 18             | 91490-30020-00  | PIN. COTTER                    | 1        |          |
| 19             | 6AH-45371-00-4D | TAB-TRIM                       | 1        |          |
| 20             | 90119-06M88-00  | BOLT, WITH WASHER              | 1        |          |
| 21             | 63V-45941-10-00 | PROPELLER (3X9-1/4"X12"-J1)    | 1        | UR       |
| 21             | 63V-45943-10-00 | PROPELLER (3X9-1/4"X11"-J1)    | 1        | UR       |
| 21             | 63V-45945-10-00 | PROPELLER (3X9-1/4"X9"-J1)     | 1        | UR       |
| 21             | 683-45952-00-00 | PROPELLER (3X9-1/4"X9-3/4"-J)  | 1        | UR       |
| 21             | 683-45941-00-00 | PROPELLER (3X9-1/4"X12"-J)     | 1        | UR       |
| 21             | 683-45943-00-00 | PROPELLER (3X9-1/4"X10-1/2"-J) | 1        | UR       |
| 21             | 63V-45952-10-00 | PROPELLER (3X9-1/4"X10"-J1)    | 1        | UR       |

F20LPHA\_0112 / FUEL TANK



6BL5110-L270

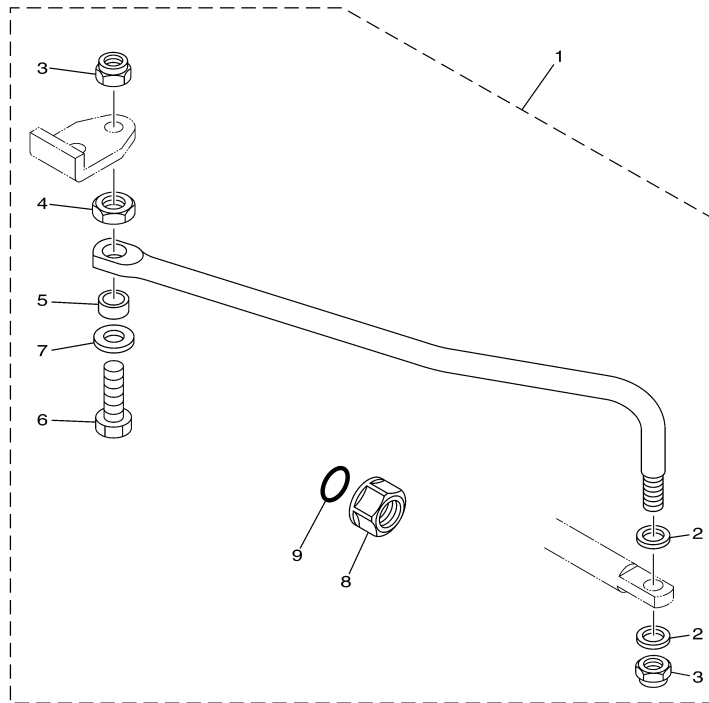


## Part List

F20LPHA\_0112 / FUEL TANK

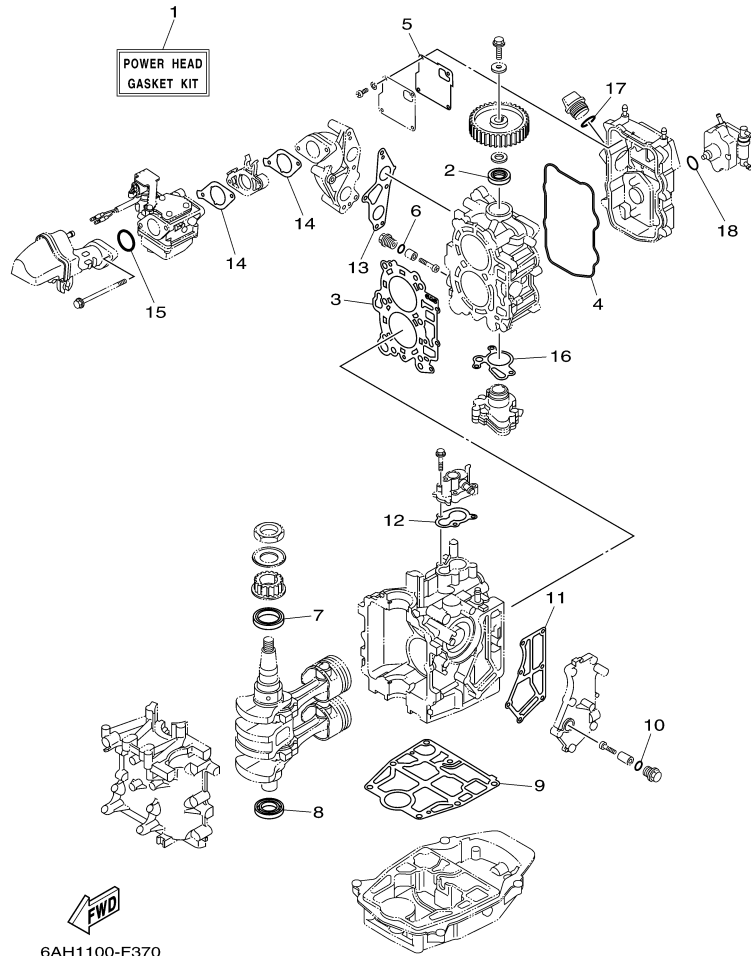
| REF<br>-<br>NO | PART<br>NUMBER  | PART NAME            | QUANTITY | REMARKS |
|----------------|-----------------|----------------------|----------|---------|
| 1              | 6YK-24201-41-00 | FUEL TANK ASSY (25L) | 1        | AP      |
| 2              | 6YL-24610-10-00 | .CAP ASSY            | 1        |         |
| 3              | 6YL-24641-10-00 | ..GASKET, CAP 1      | 1        |         |
| 4              | 6YL-24377-00-00 | .PIPE, JOINT 2       | 1        |         |
| 5              | 6YL-24629-00-00 | .RING                | 1        |         |
| 6              | 6YK-24306-72-00 | FUEL PIPE COMP. 1    | 1        | AP      |

F20LPHA\_0112 / STEERING GUIDE



6AH1100-F341

F20LPHA\_0112 / REPAIR KIT 1



©2014 Yamaha Motor Corporation, U.S.A. All rights reserved.

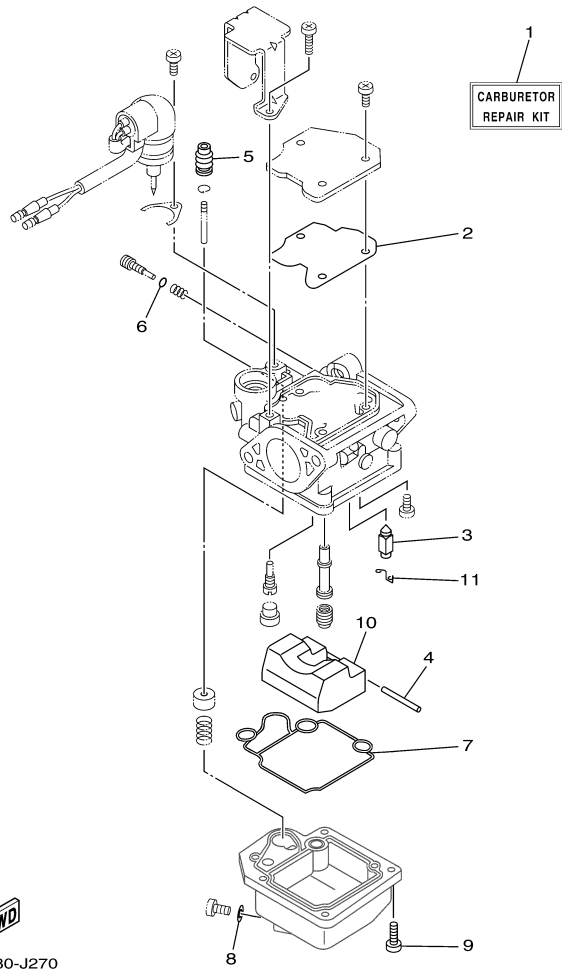
## Part List

F20LPHA\_0112 / REPAIR KIT 1

| REF<br>-<br>NO | PART<br>NUMBER  | PART NAME                       | QUANTITY | REMARKS |
|----------------|-----------------|---------------------------------|----------|---------|
| 1              | 6AG-W0001-00-00 | POWER HEAD GASKET KIT           | 1        |         |
| 2              | 93102-22009-00  | .OIL SEAL                       | 1        |         |
| 3              | 6AG-11181-00-00 | .GASKET, CYLINDER HEAD 1        | 1        |         |
| 4              | 6AH-11356-00-00 | .SEAL, CYLINDER 2               | 1        |         |
| 5              | 6AH-11169-00-00 | .GASKET, BREATHER COVER         | 1        |         |
| 6              | 93210-13M63-00  | .O-RING                         | 2        |         |
| 7              | 93102-37004-00  | .OIL SEAL                       | 1        |         |
| 8              | 93102-25014-00  | .OIL SEAL                       | 1        |         |
| 9              | 6AH-11351-00-00 | .GASKET, CYLINDER               | 1        |         |
| 10             | 93210-13M63-00  | .O-RING                         | 1        |         |
| 11             | 6AH-41114-00-00 | .GASKET, EXHAUST OUTER<br>COVER | 1        |         |
| 12             | 6AH-12414-00-00 | .GASKET, COVER                  | 1        |         |
| 13             | 6AH-13645-00-00 | .GASKET, MANIFOLD 1             | 1        |         |
| 14             | 6AH-13646-00-00 | .GASKET, MANIFOLD 2             | 2        |         |
| 15             | 93210-35M86-00  | .O-RING                         | 1        |         |
| 16             | 6AH-13329-00-00 | .GASKET, PUMP COVER             | 1        |         |
| 17             | 93210-24M79-00  | .O-RING                         | 1        |         |
| 18             | 93210-20M65-00  | .O-RING                         | 1        |         |



F20LPHA\_0112 / REPAIR KIT 2



6BY2280-J270  
Rev. 3-20-2012

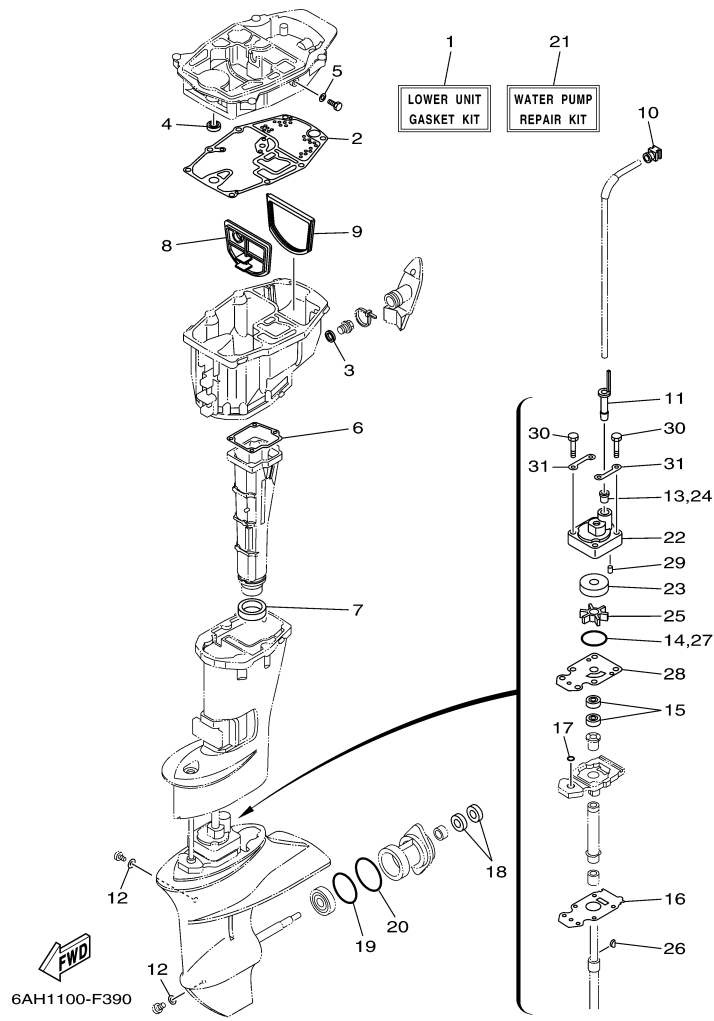
©2014 Yamaha Motor Corporation, U.S.A. All rights reserved.

## Part List

F20LPHA\_0112 / REPAIR KIT 2

| REF<br>-<br>NO | PART<br>NUMBER  | PART NAME              | QUANTITY | REMARKS |
|----------------|-----------------|------------------------|----------|---------|
| 1              | 6AH-W0093-01-00 | CARBURETOR REPAIR KIT  | 1        |         |
| 2              | 65W-14126-10-00 | .GASKET                | 1        |         |
| 3              | 6AH-14546-00-00 | .VALVE, NEEDLE         | 1        |         |
| 4              | 6H4-14548-00-00 | .PIN, FLOAT ARM        | 1        |         |
| 5              | 65W-14373-02-00 | .COVER, PLUNGER CAP    | 1        |         |
| 6              | 67C-14397-00-00 | .O-RING                | 1        |         |
| 7              | 6AH-14384-00-00 | .GASKET, FLOAT CHAMBER | 1        |         |
| 8              | 65W-14398-00-00 | .GASKET                | 1        |         |
| 9              | 97980-04114-00  | .SCREW, WITH WASHER    | 4        |         |
| 10             | 6AH-14985-00-00 | .FLOAT                 | 1        |         |
| 11             | 663-14159-00-00 | .CLIP                  | 1        |         |

F20LPHA\_0112 / REPAIR KIT 3



©2014 Yamaha Motor Corporation, U.S.A. All rights reserved.



## Part List

F20LPHA\_0112 / REPAIR KIT 3

| REF - NO | PART NUMBER     | PART NAME                 | QUANTITY | REMARKS |
|----------|-----------------|---------------------------|----------|---------|
| 1        | 6AH-W0001-20-00 | LOWER UNIT GASKET KIT     | 1        |         |
| 2        | 6AH-15312-00-00 | .GASKET, OIL PAN          | 1        |         |
| 3        | 90430-14M09-00  | .GASKET                   | 1        |         |
| 4        | 93101-12M63-00  | .OIL SEAL                 | 1        |         |
| 5        | 90430-08143-00  | .GASKET                   | 1        |         |
| 6        | 6AH-41134-00-00 | .GASKET, EXHAUST MANIFOLD | 1        |         |
| 7        | 6AH-41138-00-00 | .SEAL, EXT 1              | 1        |         |
| 8        | 6AH-45126-00-00 | .PLATE, SEAL DAMPER       | 1        |         |
| 9        | 6AH-45115-00-00 | .GASKET, UPPER CASING     | 1        |         |
| 10       | 6AH-44365-00-00 | .DAMPER, WATER SEAL 1     | 1        |         |
| 11       | 6AH-44368-00-00 | .RUBBER, WATER SEAL 4     | 1        |         |
| 12       | 90430-08020-00  | .GASKET                   | 2        |         |
| 13       | 6L2-44367-00-00 | .DAMPER, WATER SEAL 3     | 1        |         |
| 14       | 93210-49046-00  | .O-RING                   | 1        |         |
| 15       | 93101-20001-00  | .OIL SEAL                 | 2        |         |
| 16       | 69G-45315-A0-00 | .PACKING, LOWER CASING    | 1        |         |
| 17       | 93210-06ME6-00  | .O-RING                   | 1        |         |
| 18       | 93101-17054-00  | .OIL SEAL                 | 2        |         |
| 19       | 93210-57M09-00  | .O-RING                   | 1        |         |
| 20       | 93210-56M80-00  | .O-RING                   | 1        |         |
| 21       | 6AH-W0078-00-00 | WATER PUMP REPAIR KIT     | 1        |         |
| 22       | 6AH-44311-00-00 | .HOUSING, WATER PUMP      | 1        |         |
| 23       | 63V-44322-00-00 | .INSERT, CARTRIDGE        | 1        |         |
| 24       | 6L2-44367-00-00 | .DAMPER, WATER SEAL 3     | 1        |         |
| 25       | 63V-44352-01-00 | .IMPELLER                 | 1        |         |
| 26       | 664-44338-00-00 | .KEY, WOODRUFF            | 1        |         |
| 27       | 93210-49046-00  | .O-RING                   | 1        |         |
| 28       | 68T-44323-00-00 | .OUTER PLATE, CARTRIDGE   | 1        |         |
| 29       | 93604-12M07-00  | .PIN, DOWEL               | 2        |         |
| 30       | 97095-08045-00  | .BOLT                     | 4        |         |
| 31       | 63V-44328-01-00 | .PLATE                    | 2        |         |

## Part Notes

F20LPHA\_0112 / REPAIR KIT 3

| PART NUMBER  | NOTE TEXT  |
|--|--|
| 90430-14M09-00  | OEM: This part number is among the Top 100 Most Popular Marine Maintenance Parts as of March 2014. |
| 90430-08020-00  | OEM: This part number is among the Top 100 Most Popular Marine Maintenance Parts as of March 2014. |

©2014 Yamaha Motor Corporation, U.S.A. All rights reserved.

©2014 Yamaha Motor Corporation, U.S.A. All rights reserved.