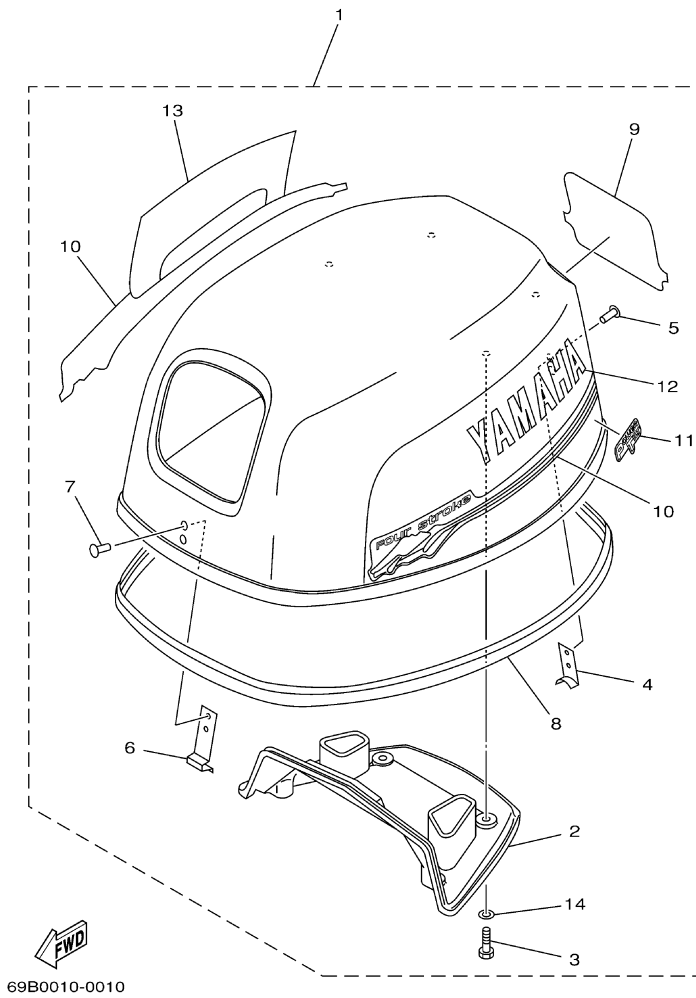


F15PLHZ 2001 / TOP COWLING



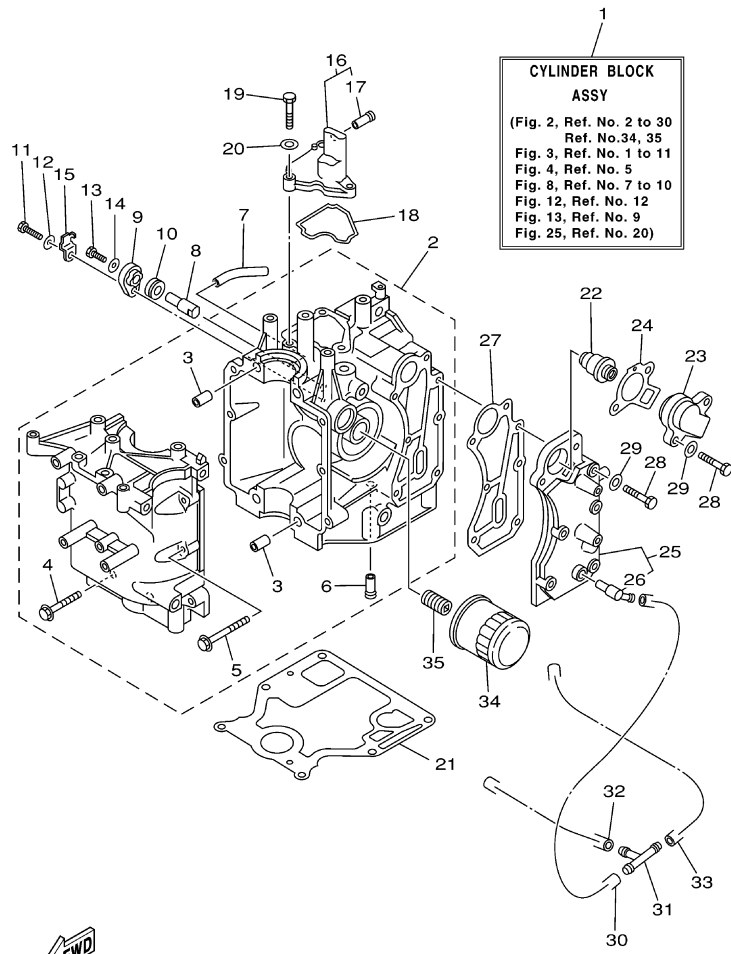
©2014 Yamaha Motor Corporation, U.S.A. All rights reserved.

## Part List

F15PLHZ 2001 / TOP COWLING

REF - NO	PART NUMBER	PART NAME	QUANTITY	REMARKS
1	69A-42610-00-4D	TOP COWLING ASSY	1	(PR)
2	66M-42613-00-00	.MOLDING, AIR DUCT	1	(PR)
3	97780-60520-00	.SCREW, TAPPING	4	(PR)
4	6E0-42651-02-00	.HOOK	1	(PR)
5	90266-04M04-00	.RIVET	2	(PR)
6	6E7-42652-00-00	.HOOK	1	(PR)
7	90266-04M04-00	.RIVET	2	(PR)
8	66M-42615-00-00	.SEAL	1	(PR)
9	66M-42678-10-00	.GRAPHIC, REAR	1	(PR)
10	66M-W0070-10-00	.GRAPHIC SET	1	(PR)
11	69A-42675-00-00	.GRAPHIC, SIDE 1	1	(PR)
12	66M-42681-10-00	.MARK, COWLING	1	(PR)
13	66M-42682-10-00	.MARK, COWLING	1	(PR)
14	90202-05M38-00	.WASHER, PLATE	4	(PR)

F15PLHZ 2001 / CYLINDER CRANKCASE 1



69A0100-1020


## Part List

F15PLHZ 2001 / CYLINDER CRANKCASE 1

REF - NO	PART NUMBER	PART NAME	QUANTITY	REMARKS
1	66M-W009B-01-1S	CYLINDER BLOCK ASSY	1	(PR)
2	66M-15100-01-1S	CRANKCASE ASSY	1	(PR)
3	99510-10114-00	.PIN, DOWEL	2	(PR)
4	90119-08M66-00	.BOLT, WITH WASHER	4	(PR)
5	90119-06M14-00	.BOLT, WITH WASHER	6	(PR)
6	6E5-24377-00-00	.PIPE, JOINT 2	1	(PR)
7	90445-10M46-00	HOSE (L65)	1	(PR)
8	66M-11325-00-00	ANODE	1	(PR)
9	66M-11327-00-94	COVER, ANODE	1	(PR)
10	66M-11328-00-00	GROMMET, ANODE	1	(PR)
11	97095-06020-00	BOLT	1	(PR)
12	92995-06600-00	WASHER	1	(PR)
13	97095-05012-00	BOLT	1	(PR)
14	92995-05600-00	WASHER	1	(PR)
15	66M-12535-00-00	PLATE	1	(PR)
16	66M-11168-00-1S	COVER, BREATHER	1	(PR)
17	6E5-24377-00-00	.PIPE, JOINT 2	1	(PR)
18	66M-11357-00-00	.SEAL, CYLINDER 3	1	(PR)
19	97095-06020-00	BOLT	3	(PR)
20	92995-06600-00	WASHER	3	(PR)
21	66M-11351-00-00	.GASKET, CYLINDER	1	(PR)
22	66M-12411-00-00	THERMOSTAT	1	(PR)
23	6H3-12413-00-1S	COVER, THERMOSTAT	1	(PR)
24	62Y-12414-00-00	.GASKET, COVER	1	(PR)
25	66M-41113-01-1S	OUTER COVER, EXHAUST	1	(PR)
26	676-11372-00-00	.NIPPLE, HOSE	1	(PR)
27	66M-41114-00-00	.GASKET, EXHAUST OUTER COVER	1	(PR)
28	97013-06030-00	BOLT	7	(PR)
29	92903-06600-00	WASHER, PLATE	7	(PR)
30	90445-09061-00	HOSE (L65)	1	(PR)
31	688-24378-00-00	PIPE, JOINT 3	1	(PR)
32	90445-09086-00	HOSE (L170)	1	(PR)
33	90445-09105-00	HOSE (L300)	1	(PR)
34	5GH-13440-00-00	ELEMENT ASSY, OIL CLEANER	1	(PR)
35	90401-20M00-00	BOLT, UNION	1	(PR)

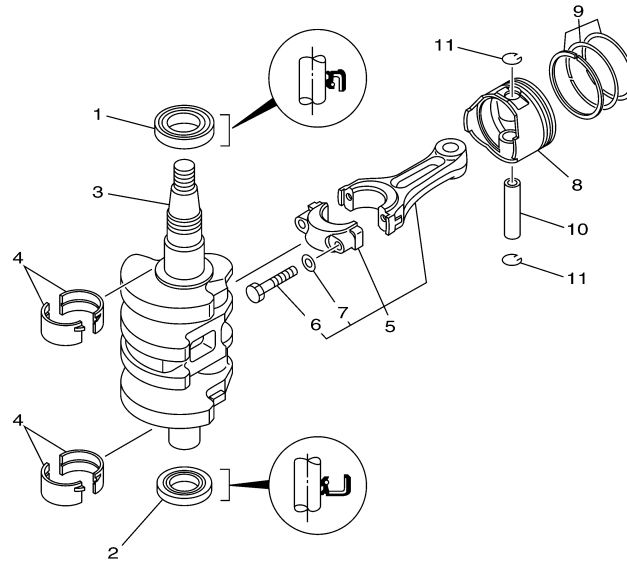
## Part Notes

F15PLHZ 2001 / CYLINDER CRANKCASE 1

PART NUMBER	NOTE TEXT
62Y-12414-00-00 	OEM: This part number is among the Top 100 Most Popular Marine Maintenance Parts as of March 2014.

©2014 Yamaha Motor Corporation, U.S.A. All rights reserved.

F15PLHZ 2001 / CRANKSHAFT PISTON



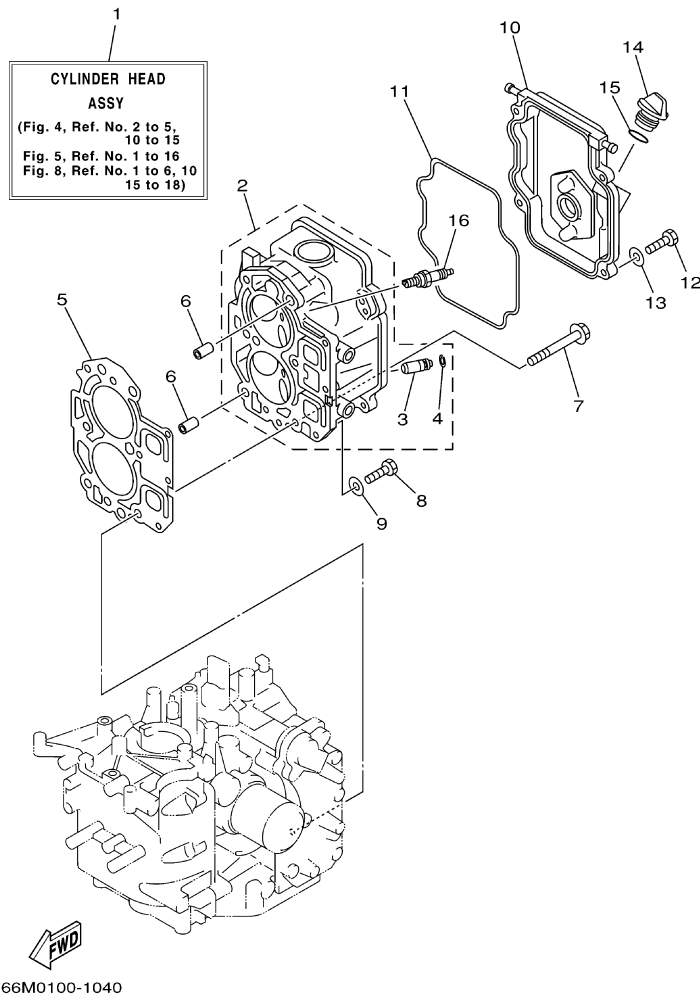
66M0010-8030

## Part List

F15PLHZ 2001 / CRANKSHAFT PISTON

REF - NO	PART NUMBER	PART NAME	QUANTITY	REMARKS
1	93102-35M51-00	.OIL SEAL	1	(PR)
2	93102-25M52-00	.OIL SEAL	1	(PR)
3	66M-11411-00-00	CRANKSHAFT	1	(PR)
4	66M-11416-00-00	PLANE BEARING, CRANKSHAFT 1	4	UR BROWN (PR)
4	66M-11416-20-00	PLANE BEARING, CRANKSHAFT 1	4	UR BLUE (PR)
4	66M-11416-10-00	PLANE BEARING, CRANKSHAFT 1	4	UR BLACK (PR)
5	66M-11650-00-00	CONNECTING ROD ASSY	2	(PR)
6	66M-11654-00-00	.BOLT, CONNECTING ROD	2	(PR)
7	90201-07M01-00	.WASHER, PLATE	2	(PR)
8	66M-11631-00-96	PISTON (STD)	2	(PR)
8	66M-11636-00-00	PISTON (0.50MM O/S)	2	AP (PR)
8	66M-11635-00-00	PISTON (0.25MM O/S)	2	AP (PR)
9	66M-11603-00-00	PISTON RING SET (STD)	2	(PR)
9	66M-11605-00-00	PISTON RING SET (0.50MM O/S)	2	AP (PR)
9	66M-11604-00-00	PISTON RING SET (0.25MM O/S)	2	AP (PR)
10	634-11633-00-00	PIN, PISTON	2	(PR)
11	93450-15023-00	CIRCLIP	4	(PR)

F15PLHZ 2001 / CYLINDER CRANKCASE 2



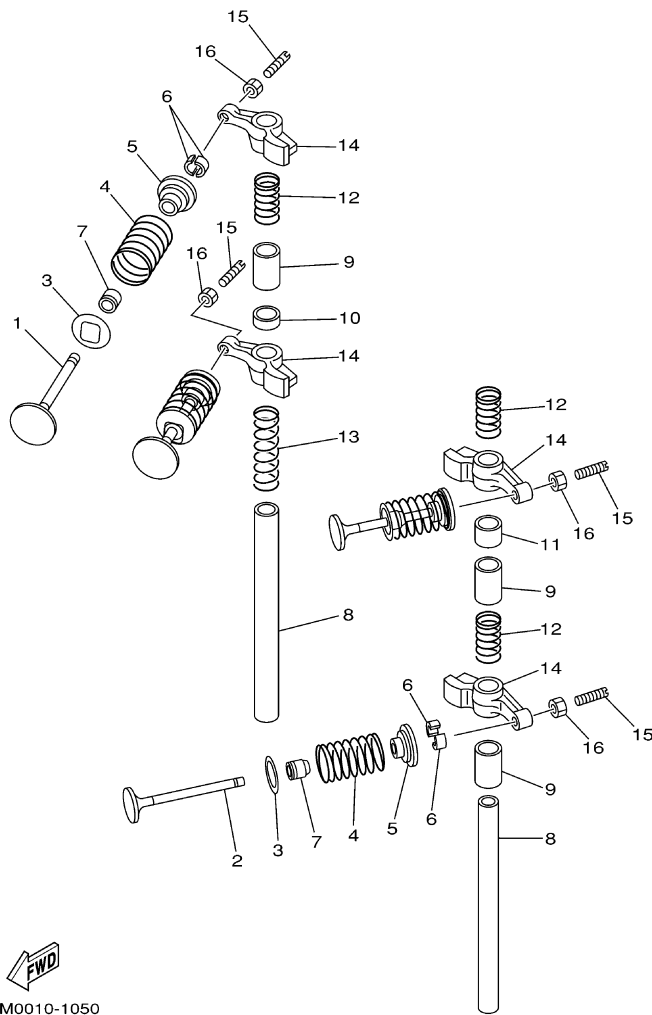
## Part List

F15PLHZ 2001 / CYLINDER CRANKCASE 2

REF - NO	PART NUMBER	PART NAME	QUANTITY	REMARKS
1	66M-W009A-00-1S	CYLINDER HEAD COMPLETE	1	(PR)
2	66M-11111-00-1S	HEAD, CYLINDER 1	1	(PR)
3	66M-11133-10-00	.GUIDE, VALVE 1	4	(PR)
4	93450-09M01-00	.CIRCLIP	4	(PR)
5	66M-11181-00-00	.GASKET, CYLINDER HEAD 1	1	(PR)
6	99510-10114-00	PIN, DOWEL	2	(PR)
7	90105-08M78-00	BOLT, FLANGE	6	(PR)
8	97013-06025-00	BOLT	3	(PR)
9	92903-06600-00	WASHER, PLATE	3	(PR)
10	66M-11191-00-1S	COVER, CYLINDER HEAD 1	1	(PR)
11	66M-11356-00-00	.SEAL, CYLINDER 2	1	(PR)
12	97095-06020-00	BOLT	4	(PR)
13	92995-06600-00	WASHER	4	(PR)
14	6G8-15363-00-00	PLUG, OIL	1	(PR)
15	93210-24M79-00	.O-RING	1	(PR)
16	NGK-DPR6E-A9-00	PLUG, SPARK (NGK DPR6EA-9)	2	(PR)



F15PLHZ 2001 / VALVE



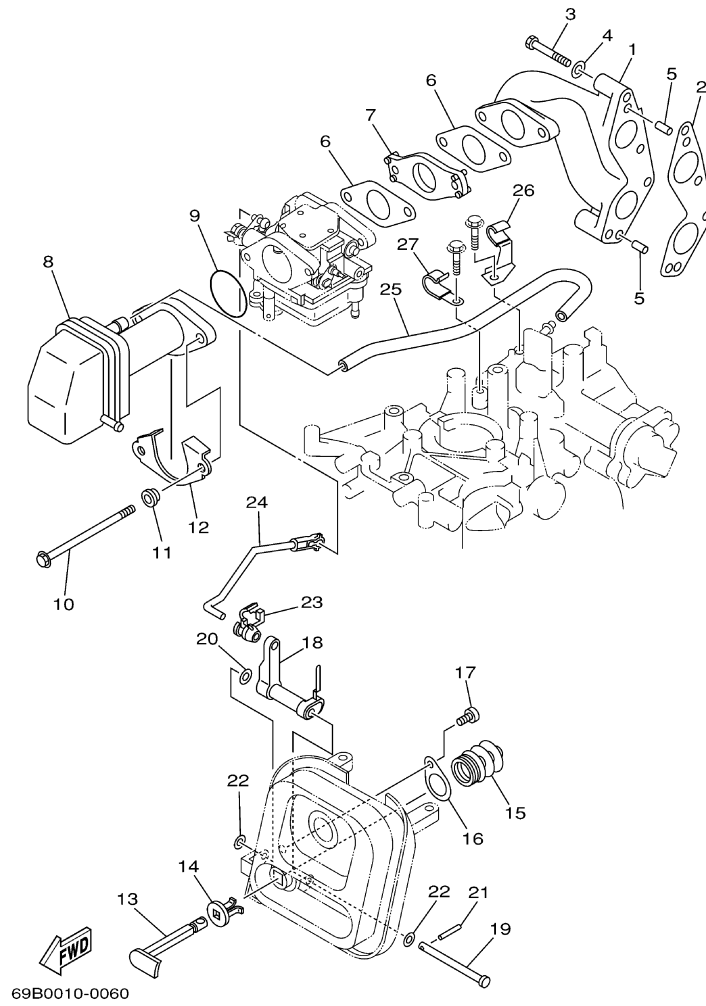
66M0010-1050

## Part List

F15PLHZ 2001 / VALVE

REF - NO	PART NUMBER	PART NAME	QUANTITY	REMARKS
1	66M-12111-00-00	VALVE, INTAKE	2	(PR)
2	66M-12121-00-00	VALVE, EXHAUST	2	(PR)
3	66M-12116-00-00	SEAT, VALVE SPRING	4	(PR)
4	66M-12113-00-00	SPRING, VALVE INNER	4	(PR)
5	30X-12117-00-00	RETAINER, VALVE SPRING	4	(PR)
6	30X-12118-00-00	LOCK, VALVE SPRING RETAINER	8	(PR)
7	51Y-12119-00-00	SEAL, VALVE STEM	4	(PR)
8	66M-12146-00-00	SHAFT, ROCKER	2	(PR)
9	90387-13M56-00	COLLAR	3	(PR)
10	90387-13001-00	COLLAR	1	(PR)
11	90387-13002-00	COLLAR	1	(PR)
12	90501-12M40-00	SPRING, COMPRESSION	3	(PR)
13	90501-12M41-00	SPRING, COMPRESSION	1	(PR)
14	66M-12151-00-00	ARM, VALVE ROCKER	4	(PR)
15	62Y-12159-00-00	SCREW, VALVE ADJUSTING	4	(PR)
16	62Y-12158-00-00	NUT, LOCK	4	(PR)

F15PLHZ 2001 / INTAKE



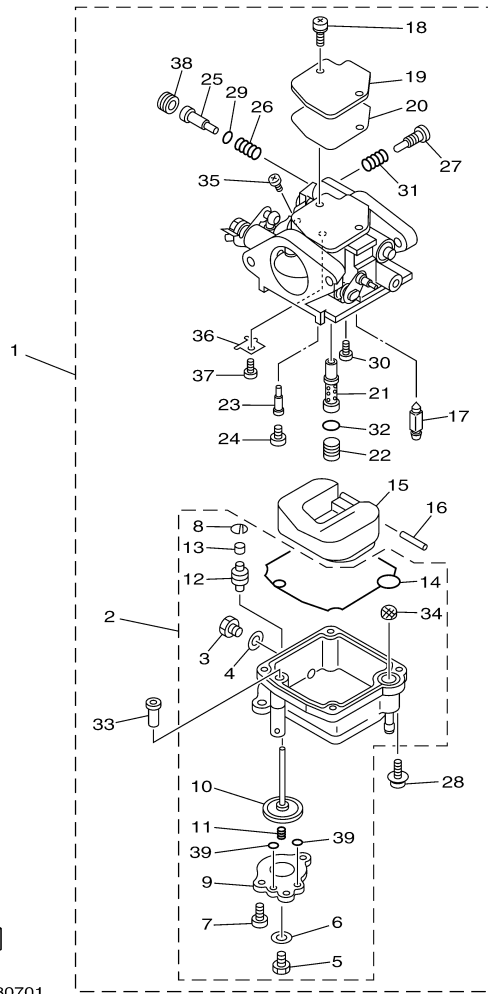
©2014 Yamaha Motor Corporation, U.S.A. All rights reserved.

## Part List

F15PLHZ 2001 / INTAKE

REF - NO	PART NUMBER	PART NAME	QUANTITY	REMARKS
1	66M-13641-00-94	MANIFOLD 1	1	(PR)
2	66M-13645-00-00	.GASKET, MANIFOLD 1	1	(PR)
3	97095-06040-00	.BOLT	4	(PR)
4	92995-06600-00	WASHER	4	(PR)
5	93606-12019-00	.PIN, DOWEL	2	(PR)
6	66M-13646-00-00	.GASKET, MANIFOLD 2	2	(PR)
7	66M-14271-00-00	INSULATOR	1	(PR)
8	66M-14440-00-00	SILENCER ASSY, INTAKE	1	(PR)
9	93210-35M86-00	.O-RING	1	(PR)
10	90119-06M76-00	BOLT, WITH WASHER	2	(PR)
11	90387-06M79-00	COLLAR	2	(PR)
12	66M-14477-00-00	PLATE	1	(PR)
13	66M-41271-00-00	KNOB, CHOKE	1	(PR)
14	689-41273-00-00	GROMMET	1	(PR)
15	66M-41292-00-00	BUSH 2	1	(PR)
16	66M-41298-00-00	WASHER 2	1	(PR)
17	97780-50510-00	SCREW, TAPPING	1	(PR)
18	66M-41252-00-00	LEVER, CHOKE 1	1	(PR)
19	90240-05M20-00	PIN, CLEVIS	1	(PR)
20	90206-05005-00	WASHER, WAVE	1	(PR)
21	91690-20016-00	PIN, SPRING	1	(PR)
22	90202-05088-00	WASHER, PLATE	2	(PR)
23	6R5-41237-00-00	JOINT, LINK	1	(PR)
24	66M-41256-00-00	ROD, CHOKE 1	1	(PR)
25	66M-15373-00-00	PIPE, BREATHER	1	(PR)
26	90465-08M82-00	CLAMP	1	(PR)
27	90465-08M83-00	CLAMP	1	(PR)

F15PLHZ 2001 / CARBURETOR



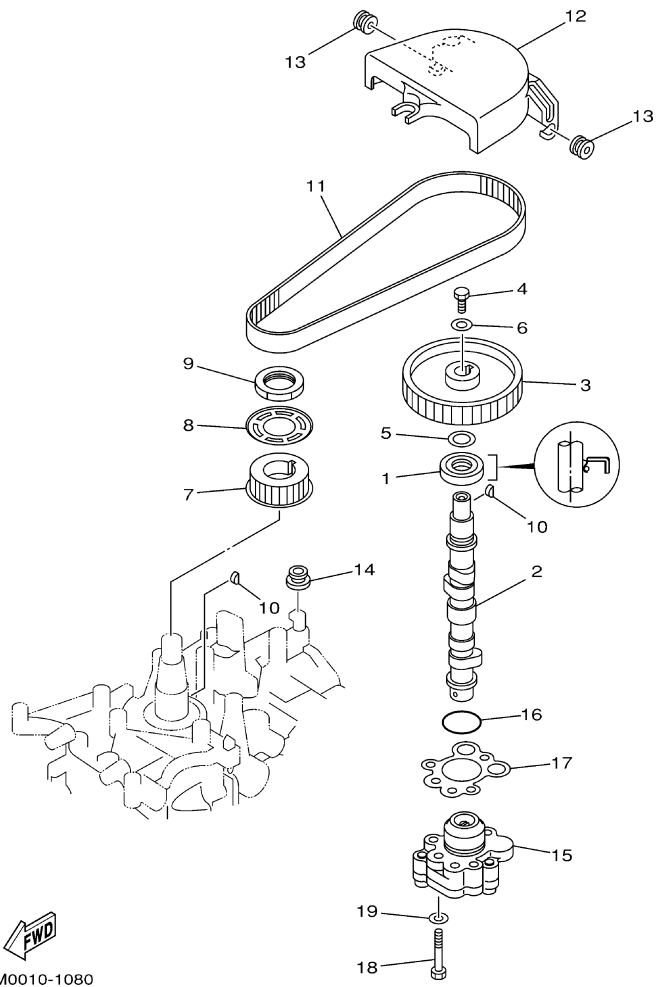
66M010080701  
Revised: 7-10-2012

## Part List

F15PLHZ 2001 / CARBURETOR

REF - NO	PART NUMBER	PART NAME	QUANTITY	REMARKS
1	66M-14301-10-00	CARBURETOR ASSY 1	1	(PR)
2	66M-14381-02-00	.BODY, FLOAT CHAMBER	1	(PR)
3	62Y-14383-00-00	..SCREW, DRAIN	1	(PR)
4	66M-14398-00-00	..GASKET	1	(PR)
5	677-14383-01-00	..SCREW, DRAIN	1	(PR)
6	6L2-14398-00-00	..GASKET	1	(PR)
7	66M-14325-00-00	..SCREW, PAN HEAD	3	(PR)
8	66M-14377-00-00	..STOPPER	1	(PR)
9	66M-14958-00-00	..COVER, DIAPHRAGM	1	(PR)
10	66M-14368-00-00	..DIAPHRAGM ASSY 1	1	(PR)
11	6G8-14275-02-00	..SPRING	1	(PR)
12	66M-14239-00-00	..SEAL	1	(PR)
13	66M-14225-00-00	..CAP	1	(PR)
14	66M-14384-00-00	..GASKET, FLOAT CHAMBER	1	(PR)
15	6L2-14385-00-00	.FLOAT	1	(PR)
16	6E5-14386-01-00	.PIN, FLOAT	1	(PR)
17	6L2-14392-00-00	.VALVE	1	(PR)
18	97980-04110-00	.SCREW, WITH WASHER	2	(PR)
19	6L2-14157-00-00	.COVER, MIXING	1	(PR)
20	62Y-14399-00-00	.GASKET	1	(PR)
21	66M-14341-00-00	.NOZZLE, MAIN	1	(PR)
22	66M-14343-52-00	.JET, MAIN (#104)	1	(PR)
23	66M-14342-23-00	.JET, PILOT (#45)	1	(PR)
24	66M-14355-00-00	.PLUG	1	(PR)
25	5H0-14323-00-00	.SCREW, AIR ADJUSTING	1	(PR)
26	30X-14334-00-00	.SPRING, AIR ADJUSTING	1	(PR)
27	62Y-14321-00-00	.SCREW, THROTTLE	1	(PR)
28	97980-04112-00	.SCREW, WITH WASHER	4	(PR)
29	62Y-14397-00-00	.O-RING	1	(PR)
30	98980-04006-00	.SCREW, BIND	1	(PR)
31	646-14212-01-00	.SPRING, PILOT ADJUSTING	1	(PR)
32	6F5-14397-00-00	.O-RING	1	(PR)
33	66M-14272-00-00	.CHECK VALVE ASSY	1	(PR)
34	66M-14827-00-00	.FILTER	1	(PR)
35	97890-04005-00	.SCREW, PAN HEAD	1	(PR)
36	66M-14157-00-00	.PLATE	1	(PR)
37	98580-03005-00	.SCREW, PAN HEAD	1	(PR)
38	6G8-1432A-00-00	.PLUG	1	(PR)
39	69M-24533-00-00	..O-RING	2	

F15PLHZ 2001 / OIL PUMP



  
66M0010-1080


## Part List

F15PLHZ 2001 / OIL PUMP

REF - NO	PART NUMBER	PART NAME	QUANTITY	REMARKS
1	93102-18M21-00	.OIL SEAL	1	(PR)
2	66M-12171-00-00	CAMSHAFT 1	1	(PR)
3	66M-11537-00-94	GEAR, DRIVEN	1	(PR)
4	97013-06016-00	BOLT	1	(PR)
5	90201-13201-00	WASHER, PLATE	1	(PR)
6	90201-06M94-00	WASHER, PLATE	1	(PR)
7	66M-11536-00-00	GEAR, DRIVE	1	(PR)
8	66M-11557-00-00	WASHER 1	1	(PR)
9	90170-28M37-00	NUT	1	(PR)
10	90280-03M01-00	.KEY, WOODRUFF	2	(PR)
11	66M-46241-00-00	V-BELT	1	(PR)
12	66M-46297-00-00	COVER, DUST	1	(PR)
13	90480-10M16-00	.GROMMET	2	(PR)
14	90480-12072-00	GROMMET	1	(PR)
15	66M-13300-00-00	OIL PUMP ASSY	1	(PR)
16	93210-27ME3-00	O-RING	1	(PR)
17	66M-13329-00-00	GASKET, PUMP COVER	1	(PR)
18	97095-06035-00	BOLT	3	(PR)
19	92995-06600-00	WASHER	3	(PR)

## Part Notes

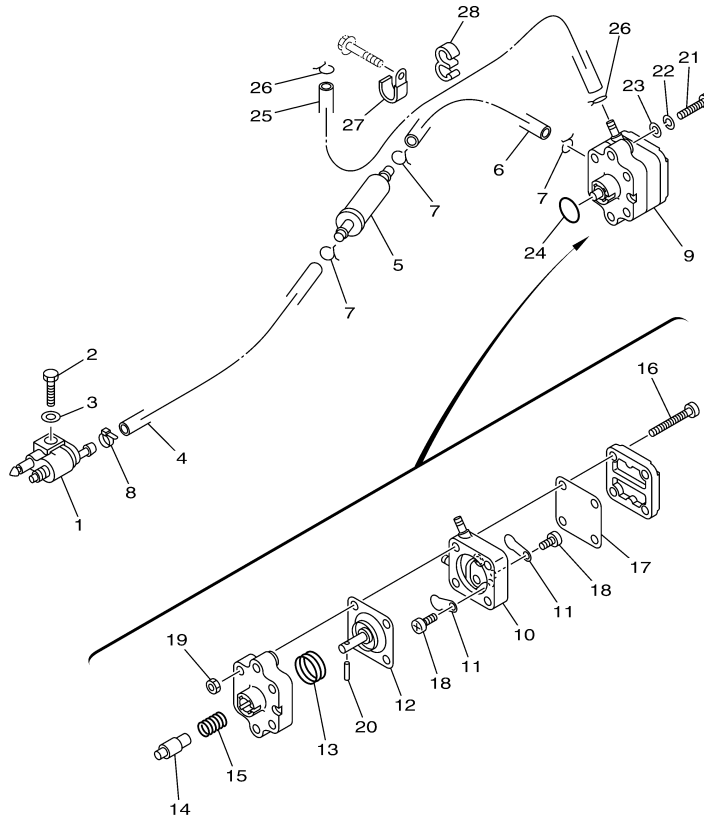
F15PLHZ 2001 / OIL PUMP

PART NUMBER	NOTE TEXT
90480-12072-00 	OEM: GROMMET used on F115TLR and F/LF115TXR 0410 Production and Earlier

©2014 Yamaha Motor Corporation, U.S.A. All rights reserved.



F15PLHZ 2001 / FUEL



66M0010-9090


## Part List

F15PLHZ 2001 / FUEL

REF - NO	PART NUMBER	PART NAME	QUANTITY	REMARKS
1	6G1-24304-02-00	FUEL PIPE JOINT COMP. 1	1	(PR)
2	97095-06020-00	BOLT	1	(PR)
3	92995-06600-00	WASHER	1	(PR)
4	90445-10M40-00	HOSE (L330)	1	(PR)
5	65W-24251-00-00	STRAINER 1	1	(PR)
6	90445-10M20-00	HOSE (L150)	1	(PR)
7	90467-09M03-00	CLIP	3	(PR)
8	90465-11M10-00	CLAMP	1	(PR)
9	66M-24410-01-00	FUEL PUMP ASSY	1	(PR)
10	66M-24413-01-00	.BODY 2	1	(PR)
11	6A0-24421-01-00	.VALVE, CHECK	2	(PR)
12	66M-24411-00-00	.DIAPHRAGM	1	(PR)
13	66M-24423-00-00	.SPRING, DIAPHRAGM	1	(PR)
14	66M-13131-00-00	.PLUNGER	1	(PR)
15	66M-24454-00-00	.SPRING	1	(PR)
16	66M-24444-00-00	.SCREW	4	(PR)
17	66M-24471-00-00	.DIAPHRAGM	1	(PR)
18	6A0-14325-00-00	.SCREW, PAN HEAD	2	(PR)
19	95380-05600-00	.NUT	4	(PR)
20	66M-24374-00-00	.PIN	1	(PR)
21	97880-06030-00	SCREW, PAN HEAD	2	(PR)
22	92990-06100-00	..WASHER, SPRING	2	(PR)
23	92990-06600-00	WASHER, PLATE	2	(PR)
24	93210-20M65-00	.O-RING	1	(PR)
25	90445-10M93-00	HOSE (L370)	1	(PR)
26	90467-09M03-00	CLIP	2	(PR)
27	90465-06M86-00	.CLAMP	1	(PR)
28	90464-09M31-00	CLAMP	1	(PR)

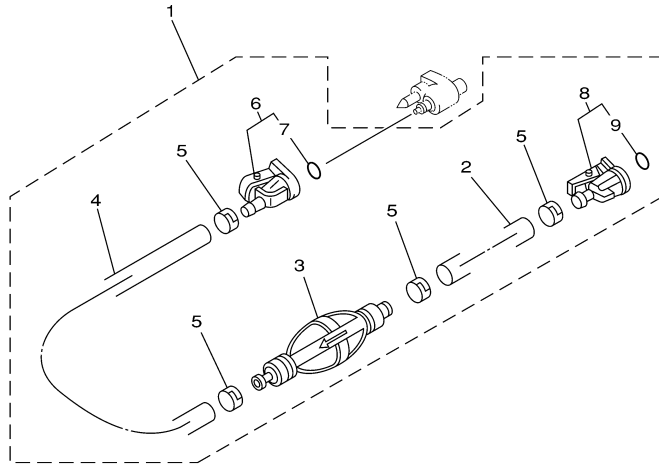
## Part Notes

F15PLHZ 2001 / FUEL

PART NUMBER	NOTE TEXT
92990-06600-00 	OEM: This part number is among the Top 100 Most Popular Marine Maintenance Parts as of March 2014.

©2014 Yamaha Motor Corporation, U.S.A. All rights reserved.

F15PLHZ 2001 / FUEL 2



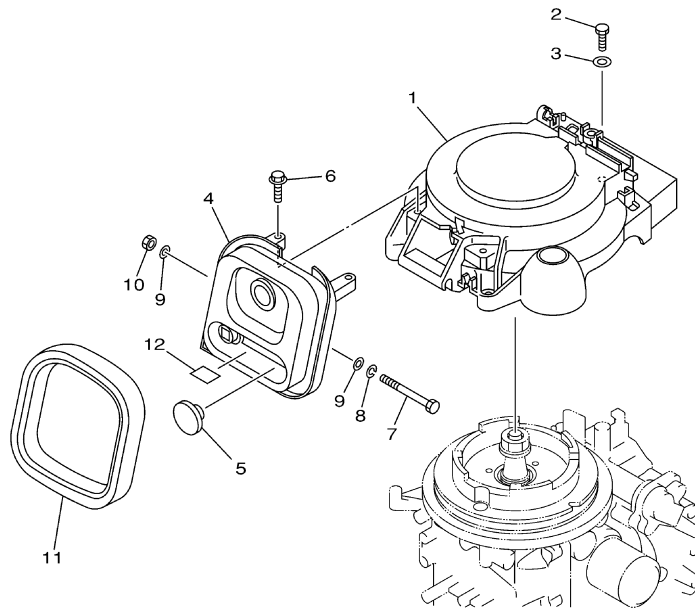
6960100-0050

## Part List

F15PLHZ 2001 / FUEL 2

REF - NO	PART NUMBER	PART NAME	QUANTITY	REMARKS
1	6Y1-24306-52-00	FUEL PIPE COMP. 1	1	AP (PR)
2	90445-11M06-00	.HOSE (L2050)	1	(PR)
3	6Y1-24360-51-00	.PRIMER PUMP ASSY	1	(PR)
4	90445-11M05-00	.HOSE (L850)	1	(PR)
5	650-24351-51-00	.BAND 1	4	(PR)
6	6G1-24305-02-00	.FUEL PIPE JOINT COMP 2	1	(PR)
7	93210-08287-00	..O-RING	1	(PR)
8	6Y1-24305-03-00	.FUEL PIPE JOINT COMP 2	1	(PR)
9	93210-08287-00	..O-RING	1	(PR)

F15PLHZ 2001 / STARTER



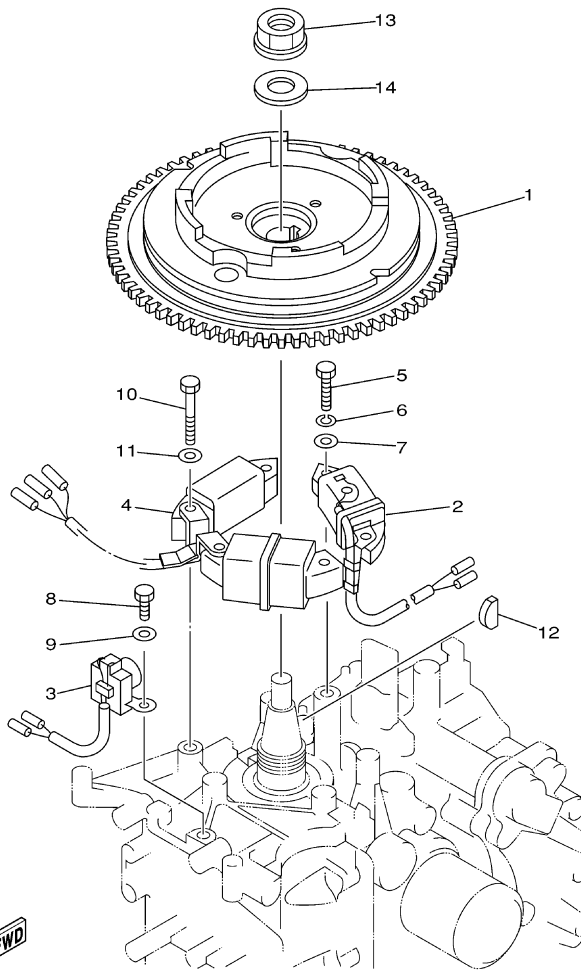
69A0100-0110

## Part List

F15PLHZ 2001 / STARTER

REF - NO	PART NUMBER	PART NAME	QUANTITY	REMARKS
1	66M-15711-10-00	CASE, STARTER	1	(PR)
2	97095-06020-00	BOLT	3	(PR)
3	92995-06600-00	WASHER	3	(PR)
4	66M-15758-10-00	GUIDE, ROPE	1	(PR)
5	6G1-42725-00-00	GROMMET	1	(PR)
6	90119-06M59-00	BOLT, WITH WASHER	2	(PR)
7	97095-06090-00	BOLT	1	(PR)
8	92995-06100-00	WASHER, SPRING	1	(PR)
9	90201-06M05-00	WASHER, PLATE	2	(PR)
10	95380-06700-00	NUT	1	(PR)
11	66M-15762-00-00	SEAL, RUBBER 2	1	(PR)
12	66M-84342-00-00	SEAT, EMBLEM	1	(PR)

F15PLHZ 2001 / GENERATOR



69B0010-0110

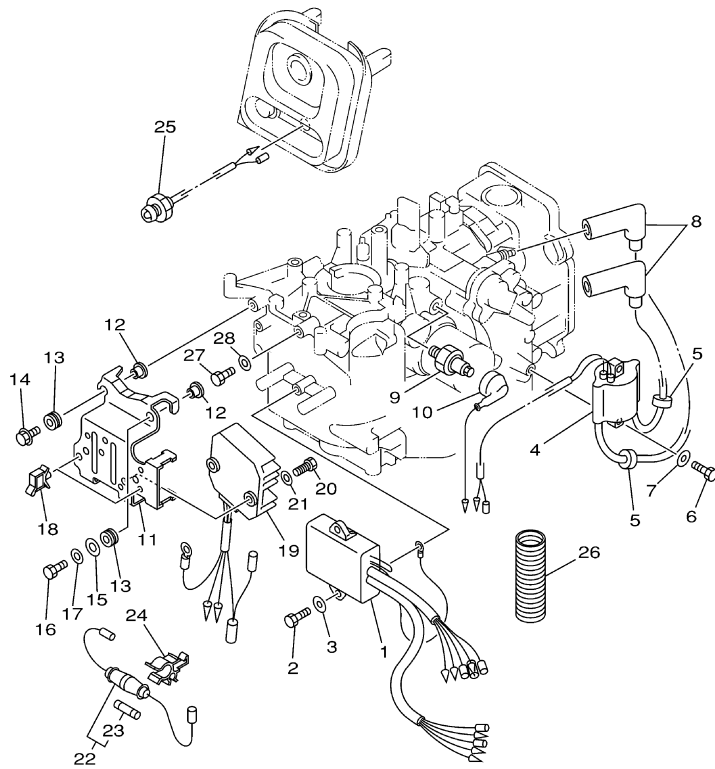
## Part List

F15PLHZ 2001 / GENERATOR

REF - NO	PART NUMBER	PART NAME	QUANTITY	REMARKS
1	66M-85550-10-00	ROTOR ASSY (WITH RING GEAR)	1	WITH RING GEAR (PR)
2	66M-85520-00-00	COIL, CHARGE	1	(PR)
3	66M-85580-00-00	COIL, PULSER	1	(PR)
4	66M-85533-10-00	COIL, LIGHTING	1	10A (PR)
5	97095-06025-00	BOLT	2	(PR)
6	92995-06100-00	WASHER, SPRING	2	(PR)
7	92995-06600-00	WASHER	2	(PR)
8	97095-06016-00	BOLT	2	(PR)
9	92995-06600-00	WASHER	2	(PR)
10	97095-06040-00	.BOLT	4	(PR)
11	92995-06600-00	WASHER	4	(PR)
12	90280-05013-00	KEY, WOODRUFF	1	(PR)
13	90179-16M05-00	NUT	1	(PR)
14	90201-16M44-00	WASHER, PLATE	1	(PR)



F15PLHZ 2001 / ELECTRICAL 1



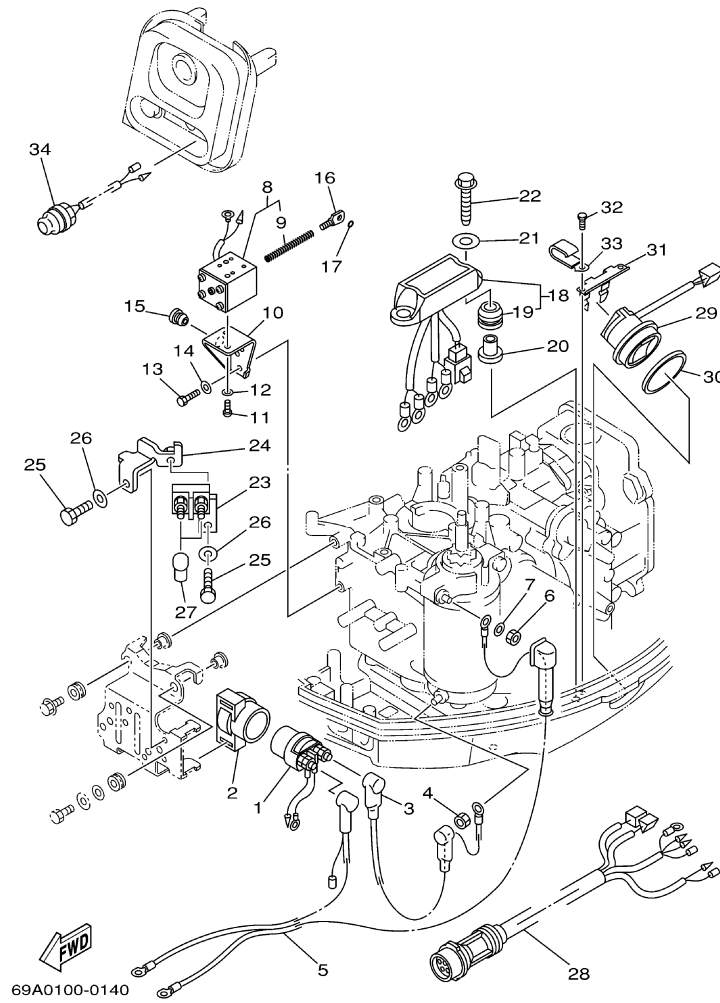
  
69B0010-1120

## Part List

F15PLHZ 2001 / ELECTRICAL 1

REF - NO	PART NUMBER	PART NAME	QUANTITY	REMARKS
1	66M-85540-01-00	C.D.I. UNIT ASSY	1	(PR)
2	97095-06020-00	BOLT	2	(PR)
3	92995-06600-00	WASHER	2	(PR)
4	66M-85570-00-00	IGNITION COIL ASSY	1	(PR)
5	90480-25161-00	GROMMET	2	(PR)
6	97095-06020-00	BOLT	2	(PR)
7	92995-06600-00	WASHER	2	(PR)
8	6G8-82370-30-00	PLUG CAP ASSY	2	(PR)
9	62Y-82504-10-00	OIL PRESSURE SWITCH ASSY	1	(PR)
10	66M-82127-10-00	WIRE, LEAD 2	1	(PR)
11	69A-85542-10-00	BRACKET	1	(PR)
12	90387-06M05-00	COLLAR	4	(PR)
13	90480-13M24-00	GROMMET	4	(PR)
14	95895-06020-00	BOLT, FLANGE	3	(PR)
15	90201-06M05-00	WASHER, PLATE	1	(PR)
16	97095-06025-00	BOLT	1	(PR)
17	92995-06600-00	WASHER	1	(PR)
18	90464-09M13-00	CLAMP	2	(PR)
19	6G8-81960-A1-00	RECTIFIER ASSY	1	(PR)
20	97095-06016-00	BOLT	2	(PR)
21	92995-06600-00	WASHER	2	(PR)
22	6G8-82150-00-00	FUSE HOLDER ASSY	1	(PR)
23	663-82151-00-00	.FUSE (12V-20A)	1	(PR)
24	6G5-82152-00-00	HOLDER, FUSE	1	(PR)
25	65W-85410-01-00	EMERGENCY SIGNAL LIGHT ASSY	1	(PR)
26	6H1-83557-00-00	TUBE	1	(PR)
27	97095-06016-00	BOLT	1	(PR)
28	92995-06600-00	WASHER	1	(PR)

F15PLHZ 2001 / ELECTRICAL 2



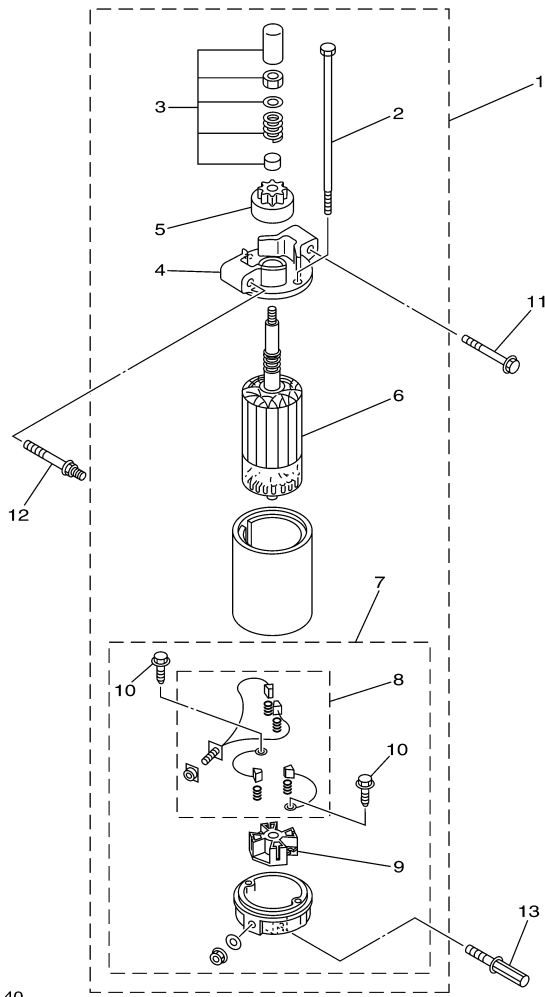
©2014 Yamaha Motor Corporation, U.S.A. All rights reserved.

## Part List

F15PLHZ 2001 / ELECTRICAL 2

REF - NO	PART NUMBER	PART NAME	QUANTITY	REMARKS
1	6G1-81941-10-00	STARTER RELAY ASSY	1	(PR)
2	6G1-81952-00-00	HOLDER, RELAY	1	(PR)
3	66M-82117-00-00	WIRE, LEAD	1	(PR)
4	65W-8182B-00-00	NUT, SPECIAL	1	(PR)
5	66M-82105-00-00	BATTERY CABLE	1	(PR)
6	95380-08700-00	NUT	1	(PR)
7	92990-08600-00	..WASHER, PLATE	1	(PR)
8	66M-86111-00-00	COIL, SOLENOID	1	(PR)
9	66M-86116-00-00	.WIRE, PULL	1	(PR)
10	66M-86112-00-00	STAY, SOLENOID	1	(PR)
11	97880-05008-00	SCREW, PAN HEAD	2	(PR)
12	92990-05600-00	WASHER, PLATE	2	(PR)
13	97095-06016-00	BOLT	2	(PR)
14	92995-06600-00	WASHER	2	(PR)
15	90480-10M13-00	GROMMET	1	(PR)
16	66M-86117-00-00	HOOK, WIRE PULL	1	(PR)
17	93210-03261-00	O-RING	1	(PR)
18	69A-81950-00-00	RELAY ASSY	1	(PR)
19	90480-09M12-00	.GROMMET	2	(PR)
20	90387-06M03-00	COLLAR	2	(PR)
21	90201-06416-00	WASHER, PLATE	2	(PR)
22	90109-06MA2-00	BOLT	2	(PR)
23	6H5-81920-00-00	TERMINAL ASSY	1	(PR)
24	69A-81929-00-00	BRACKET, TERMINAL	1	(PR)
25	97095-06012-00	BOLT	2	(PR)
26	92995-06600-00	WASHER	2	(PR)
27	6G5-82119-00-00	COVER, LEAD WIRE	2	(PR)
28	69A-82590-00-00	WIRE HARNESS ASSY (10P)	1	(PR)
29	63D-82563-10-00	TRIM & TILT SWITCH ASSY	1	(PR)
30	6E5-82587-00-00	GASKET	1	(PR)
31	69A-83614-00-00	BRACKET	1	(PR)
32	90109-06M86-00	BOLT	2	(PR)
33	90465-06M88-00	CLAMP	1	(PR)
34	65W-81870-00-00	STARTING SWITCH ASSY	1	(PR)

F15PLHZ 2001 / STARTING MOTOR



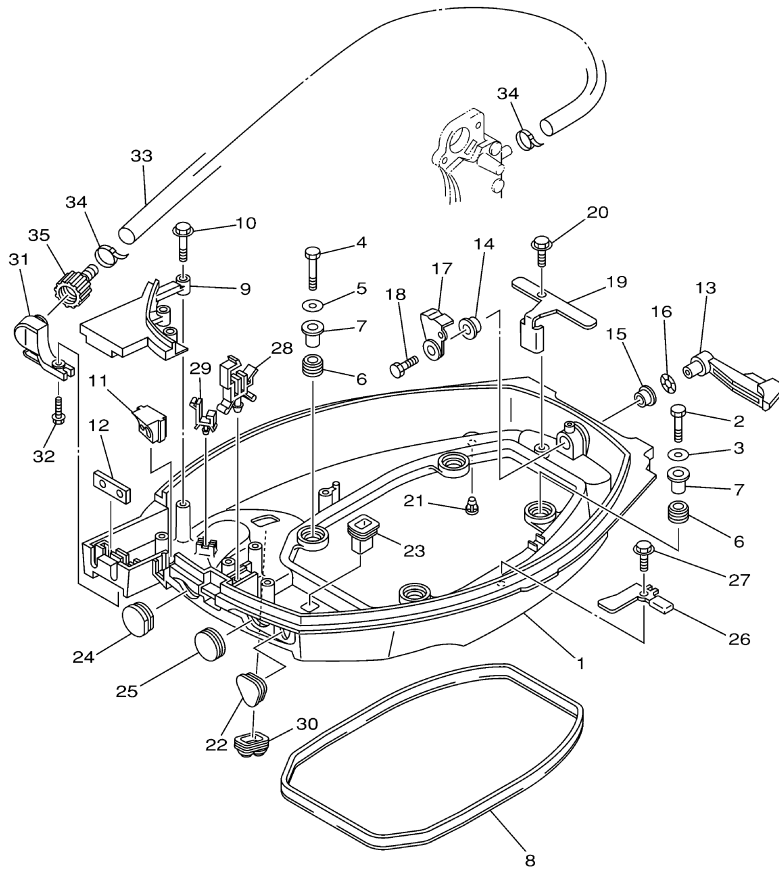
  
66M0010-0140

## Part List

F15PLHZ 2001 / STARTING MOTOR

REF - NO	PART NUMBER	PART NAME	QUANTITY	REMARKS
1	66M-81800-01-00	STARTING MOTOR ASSY	1	(PR)
2	65W-81826-00-00	.BOLT	2	(PR)
3	65W-81857-01-00	.RETAINER	1	(PR)
4	66M-81830-00-00	.FRONT BRACKET ASSY	1	(PR)
5	65W-81807-00-00	.GEAR ASSY, STARTING MOTOR	1	(PR)
6	65W-81850-01-00	.ARMATURE ASSY	1	(PR)
7	66M-81820-00-00	.REAR BRACKET ASSY	1	(PR)
8	65W-81801-00-00	..BRUSH SET	1	(PR)
9	65W-81840-00-00	..BRUSH HOLDER ASSY	1	(PR)
10	65W-8182S-00-00	..SCREW	2	(PR)
11	90119-08M39-00	BOLT, WITH WASHER	1	(PR)
12	90109-08M78-00	BOLT	1	(PR)
13	90109-08M85-00	BOLT	1	(PR)

F15PLHZ 2001 / BOTTOM COWLING



69A0100-1170

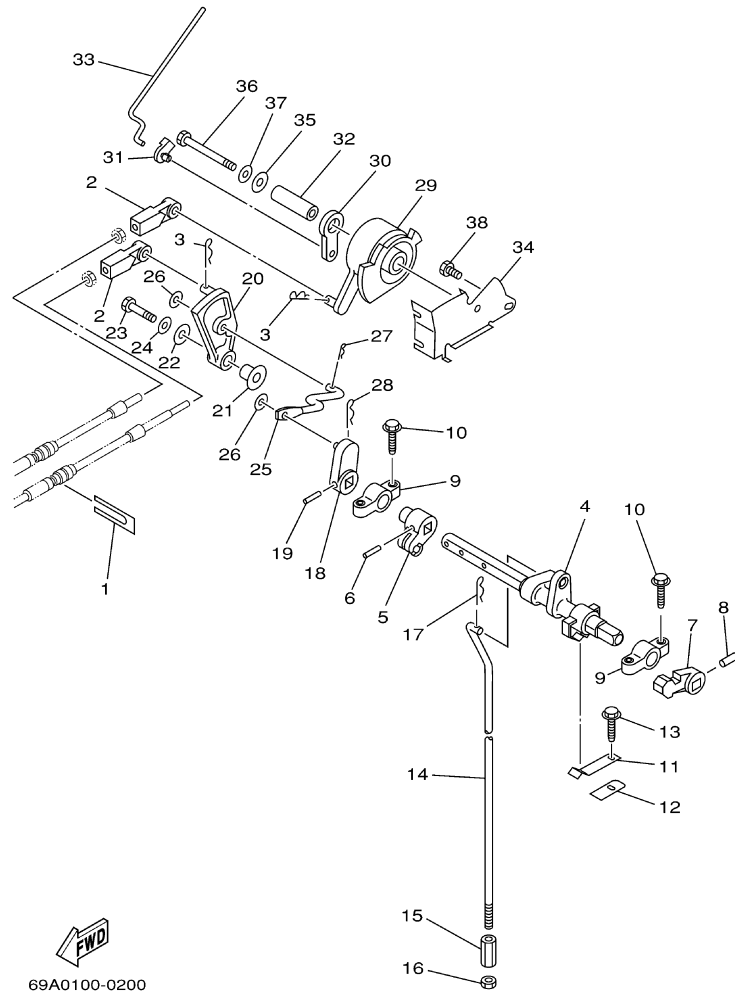
## Part List

F15PLHZ 2001 / BOTTOM COWLING

REF - NO	PART NUMBER	PART NAME	QUANTITY	REMARKS
1	69A-42710-10-4D	BOTTOM COWLING ASSY	1	(PR)
2	97095-06035-00	BOLT	2	(PR)
3	92995-06600-00	WASHER	2	(PR)
4	97095-06025-00	BOLT	2	(PR)
5	92995-06600-00	WASHER	2	(PR)
6	90480-15M31-00	GROMMET	4	(PR)
7	90387-06M52-00	COLLAR	4	(PR)
8	66M-42716-00-00	RUBBER, SEAL 1	1	(PR)
9	66M-42738-00-4D	PLATE, FITTING	1	(PR)
10	90109-06M82-00	BOLT	3	(PR)
11	66M-42725-20-00	.GROMMET	1	(PR)
12	62Y-42727-00-00	GROMMET	1	(PR)
13	66M-42815-00-4D	LEVER, CLAMP	1	(PR)
14	90386-12M37-00	BUSH	1	(PR)
15	90386-12MA2-00	BUSH	1	(PR)
16	90206-12052-00	WASHER, WAVE	1	(PR)
17	6L2-42816-00-00	LEVER, CLAMP	1	(PR)
18	97095-06012-00	BOLT	1	(PR)
19	66M-42766-00-00	BRACKET 2	1	(PR)
20	90109-06M86-00	BOLT	1	(PR)
21	6H3-44391-01-00	NIPPLE, HOSE	1	(PR)
22	65W-26326-10-00	.GROMMET	1	(PR)
23	682-42727-00-00	GROMMET	1	(PR)
24	682-42724-00-00	GROMMET	1	(PR)
25	65W-42726-10-00	.GROMMET	1	(PR)
26	66M-42743-00-00	BRACKET	2	(PR)
27	90109-06M86-00	BOLT	2	(PR)
28	90465-25M95-00	CLAMP	1	(PR)
29	90464-09M13-00	CLAMP	1	(PR)
30	65W-42627-20-00	GROMMET	1	FOR FLUSHING KIT
31	65W-12572-00-00	ADAPTER	1	FLUSHING KIT
32	90109-06M81-00	BOLT	1	FLUSHING KIT
33	66M-12481-00-00	PIPE 1	1	FLUSHING KIT
34	90465-11M10-00	CLAMP	2	FLUSHING KIT
35	6R3-12580-00-00	JOINT ASSY	1	FLUSHING KIT



F15PLHZ 2001 / CONTROL



  
69A0100-0200




## Part List

F15PLHZ 2001 / CONTROL

REF - NO	PART NUMBER	PART NAME	QUANTITY	REMARKS
1	6H3-48538-00-00	.CLAMP, CABLE 1	1	(PR)
2	663-48344-00-00	.CABLE END, REMOTE CONTROL	2	(PR)
3	90468-18008-00	CLIP	2	(PR)
4	65W-44121-00-00	LEVER, SHIFT ROD	1	(PR)
5	66M-44122-00-00	BUSHING, SHIFT ROD LEVER	1	(PR)
6	90254-03M05-00	PIN, SPRING	1	(PR)
7	65W-44173-00-00	LEVER, SHIFT CONTROL	1	(PR)
8	90254-03M05-00	PIN, SPRING	1	(PR)
9	6F5-41662-00-00	BRACKET 2	2	(PR)
10	90109-06M81-00	BOLT	4	(PR)
11	65W-44116-00-00	SPRING	1	(PR)
12	66R-44114-00-00	STOPPER	1	(PR)
13	90109-06M86-00	BOLT	1	(PR)
14	66M-44143-10-00	ROD, SHIFT	1	L (PR)
15	90170-06015-00	NUT	1	(PR)
16	95380-06700-00	NUT	1	(PR)
17	90468-18008-00	CLIP	1	(PR)
18	65W-44142-00-00	.JOINT	1	(PR)
19	90254-03M05-00	PIN, SPRING	1	(PR)
20	65W-44125-00-00	.LEVER, SHIFT ROD	1	(PR)
21	90387-06M29-00	COLLAR	1	(PR)
22	90201-06M31-00	.WASHER, PLATE	1	(PR)
23	97095-06025-00	BOLT	1	(PR)
24	92995-06600-00	WASHER	1	(PR)
25	66M-44192-00-00	.JOINT, ROD 1	1	(PR)
26	90201-05M06-00	.WASHER, PLATE	2	(PR)
27	90468-10005-00	CLIP	1	(PR)
28	90468-18008-00	CLIP	1	(PR)
29	65W-41638-00-00	PULLEY	1	(PR)
30	65W-41283-00-00	.LEVER, FREE ACCEL.	1	(PR)
31	661-41262-02-00	JOINT, CHOKE LEVER	1	(PR)
32	90387-06M08-00	COLLAR	1	(PR)
33	66M-41211-00-00	LINK, ACCEL.	1	(PR)
34	65W-14497-01-00	STAY, THROTTLE WIRE	1	(PR)
35	90201-06M31-00	.WASHER, PLATE	1	(PR)
36	97095-06055-00	BOLT	1	(PR)
37	92995-06600-00	WASHER	1	(PR)
38	97095-06010-00	BOLT	1	(PR)

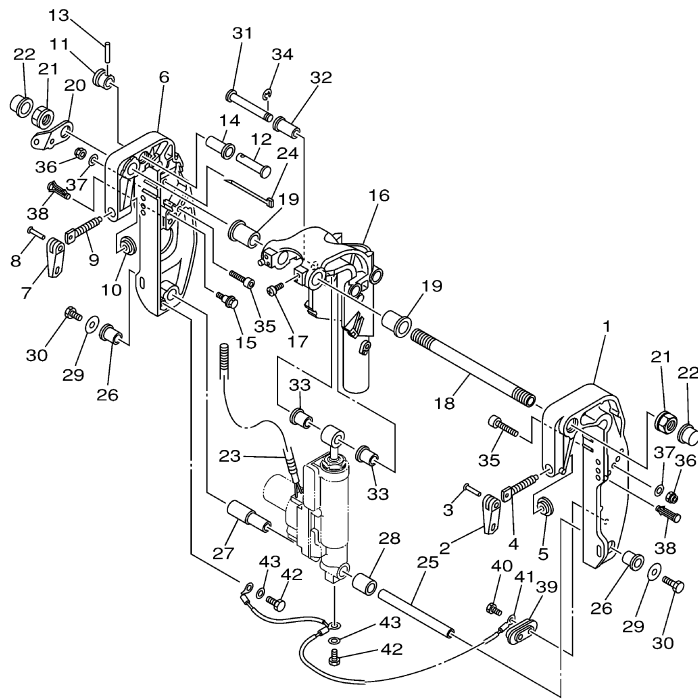
## Part Notes

F15PLHZ 2001 / CONTROL

PART NUMBER	NOTE TEXT
90468-18008-00 	OEM: This part number is among the Top 100 Most Popular Marine Maintenance Parts as of March 2014.
90468-18008-00 	OEM: This part number is among the Top 100 Most Popular Marine Maintenance Parts as of March 2014.
90468-18008-00 	OEM: This part number is among the Top 100 Most Popular Marine Maintenance Parts as of March 2014.

©2014 Yamaha Motor Corporation, U.S.A. All rights reserved.

F15PLHZ 2001 / BRACKET 1



69A0100-0210


## Part List

F15PLHZ 2001 / BRACKET 1

REF - NO	PART NUMBER	PART NAME	QUANTITY	REMARKS
1	69A-43111-00-4D	BRACKET, CLAMP 1	1	(PR)
2	6E0-43118-01-00	HANDLE, TRANSOM CLAMP	1	(PR)
3	90243-04M01-00	PIN	1	(PR)
4	6E7-43116-00-00	SCREW, TRANSOM CLAMP	1	(PR)
5	648-43114-01-00	PAD, TRANSOM CLAMP	1	(PR)
6	69A-43112-00-4D	BRACKET, CLAMP 2	1	(PR)
7	6E0-43118-01-00	HANDLE, TRANSOM CLAMP	1	(PR)
8	90243-04M01-00	PIN	1	(PR)
9	6E7-43116-00-00	SCREW, TRANSOM CLAMP	1	(PR)
10	648-43114-01-00	PAD, TRANSOM CLAMP	1	(PR)
11	65W-43192-00-00	KNOB, STOPPER	1	(PR)
12	65W-43191-00-00	SHAFT, STOPPER	1	(PR)
13	91690-30018-00	PIN, SPRING	1	(PR)
14	90386-14MA1-00	BUSH	1	(PR)
15	90109-06M04-00	BOLT	1	(PR)
16	69A-43311-10-4D	BRACKET, SWIVEL 1	1	L (PR)
17	97885-08010-00	SCREW, PAN HEAD	2	(PR)
18	69A-43131-00-00	BOLT, CLAMP BRACKET	1	(PR)
19	90386-22MA4-00	BUSH	2	(PR)
20	69A-43113-00-00	PLATE, CLAMP BRACKET	1	(PR)
21	63V-43145-00-00	CAP, CLAMP BRACKET	2	(PR)
22	6G5-43145-00-00	CAP, CLAMP BRACKET	2	(PR)
23	90446-14MH7-00	HOSE (L560)	1	(PR)
24	90465-13M97-00	CLAMP	1	(PR)
25	69A-43818-00-00	PIN, LOWER SHOCK MOUNT	1	(PR)
26	90386-16MA7-00	BUSH	2	(PR)
27	90386-16MA8-00	BUSH	1	(PR)
28	90387-16M02-00	COLLAR	1	(PR)
29	90201-08M00-00	WASHER, PLATE	2	(PR)
30	97080-08016-00	BOLT	2	(PR)
31	90249-12M36-00	PIN	1	(PR)
32	90381-12M10-00	BUSH, SOLID	1	(PR)
33	90381-12M11-00	BUSH, SOLID	2	(PR)
34	93430-10M00-00	CIRCLIP	1	(PR)
35	90110-08M05-00	BOLT, HEXAGON SOCKET HEAD	2	(PR)
36	90185-08057-00	NUT, SELF-LOCKING	2	(PR)
37	92990-08600-00	..WASHER, PLATE	2	(PR)
38	90338-08M19-00	PLUG	2	(PR)
39	65W-45251-00-00	ANODE	1	(PR)
40	97085-06025-00	BOLT	2	(PR)
41	63V-82127-00-00	WIRE, LEAD 2	1	(PR)
42	97095-06010-00	BOLT	2	(PR)
43	92995-06600-00	WASHER	2	(PR)

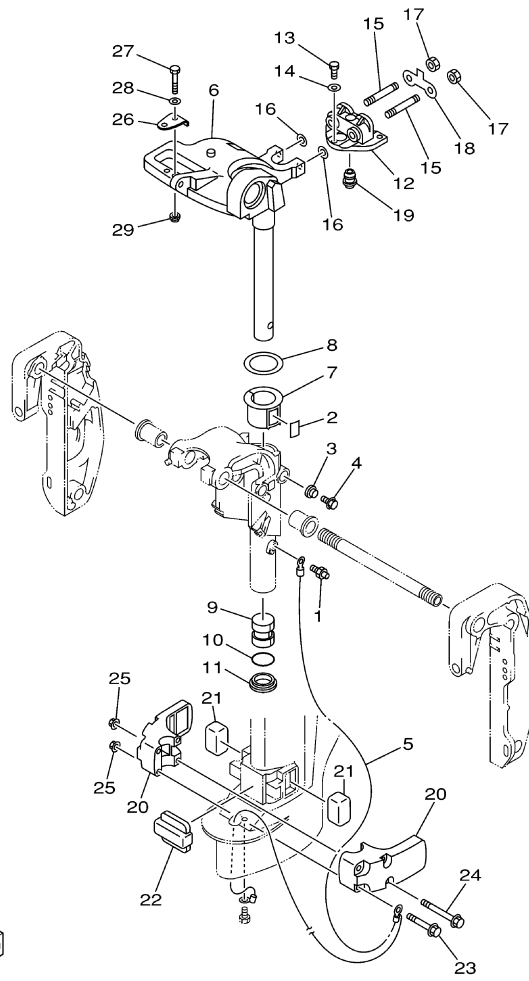
## Part Notes

F15PLHZ 2001 / BRACKET 1

PART NUMBER	NOTE TEXT
65W-45251-00-00 	OEM: This part number is among the Top 100 Most Popular Marine Maintenance Parts as of March 2014.

©2014 Yamaha Motor Corporation, U.S.A. All rights reserved.

F15PLHZ 2001 / BRACKET 2



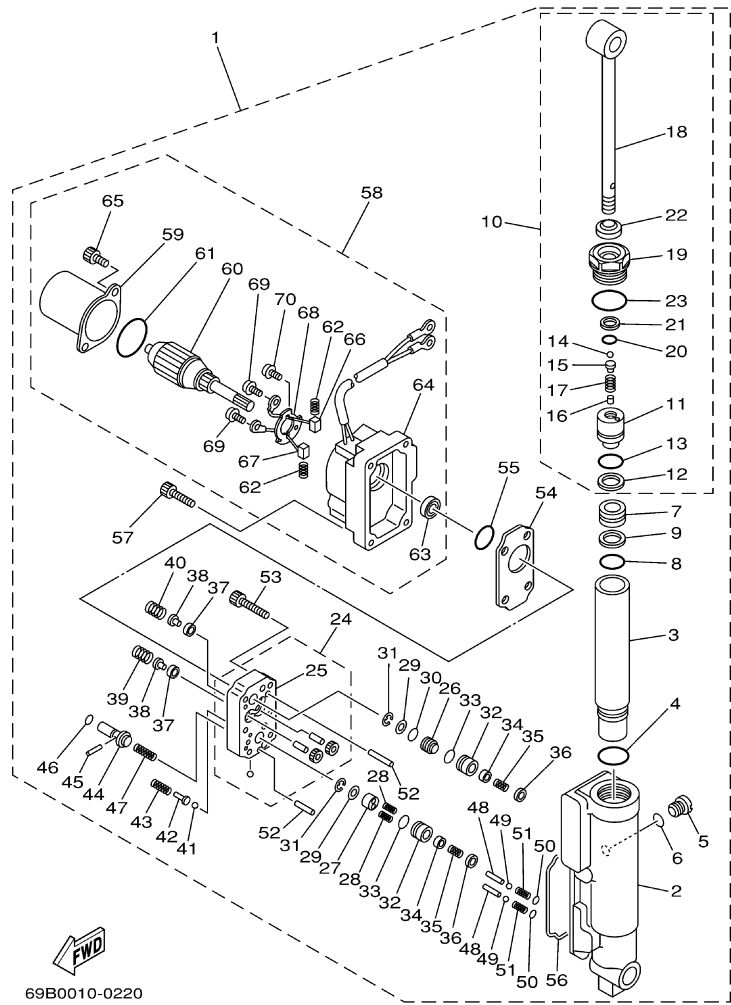
  
69A0100-0220

## Part List

F15PLHZ 2001 / BRACKET 2

REF - NO	PART NUMBER	PART NAME	QUANTITY	REMARKS
1	93700-06M03-00	NIPPLE, GREASE	1	(PR)
2	63V-42528-00-00	PLATE, FRICTION	1	(PR)
3	689-43373-01-00	SEAL, DAMPER	1	(PR)
4	90105-06M07-00	.BOLT, FLANGE	1	(PR)
5	69A-82127-00-00	WIRE, LEAD 2	1	L (PR)
6	66M-42511-11-4D	BRACKET, STEERING	1	L (PR)
7	63V-42537-00-00	BUSHING, PIVOT SHAFT	1	(PR)
8	90201-45M28-00	WASHER, PLATE	1	(PR)
9	90386-30048-00	BUSH	1	(PR)
10	93210-29M94-00	O-RING	1	(PR)
11	90386-30M60-00	BUSH	1	(PR)
12	66M-44514-00-4D	MOUNT DAMPER, UPPER SIDE	1	(PR)
13	97075-06025-00	BOLT	3	(PR)
14	92995-06600-00	WASHER	3	(PR)
15	90116-08M54-00	BOLT, STUD	2	(PR)
16	90201-08M06-00	WASHER, PLATE	2	(PR)
17	95380-08600-00	NUT	2	(PR)
18	66M-44526-00-00	PLATE	1	(PR)
19	66M-44366-00-00	DAMPER, WATER SEAL	1	(PR)
20	66M-44551-00-4D	HOUSING, LOWER MOUNT RUBBER	2	(PR)
21	682-44555-30-00	MOUNT DAMPER, LOWER SIDE	2	(PR)
22	66M-44557-00-00	MOUNT DAMPER, LOWER FRONT	1	(PR)
23	90119-08M45-00	BOLT, WITH WASHER	2	(PR)
24	90119-08M46-00	BOLT, WITH WASHER	2	(PR)
25	90179-08M34-00	NUT	4	(PR)
26	63V-48511-01-00	HOOK, STEERING	1	(PR)
27	97075-08035-00	BOLT	1	(PR)
28	92995-08600-00	WASHER	1	(PR)
29	90185-08057-00	NUT, SELF-LOCKING	1	(PR)

F15PLHZ 2001 / POWER TILT ASSY



## Part List

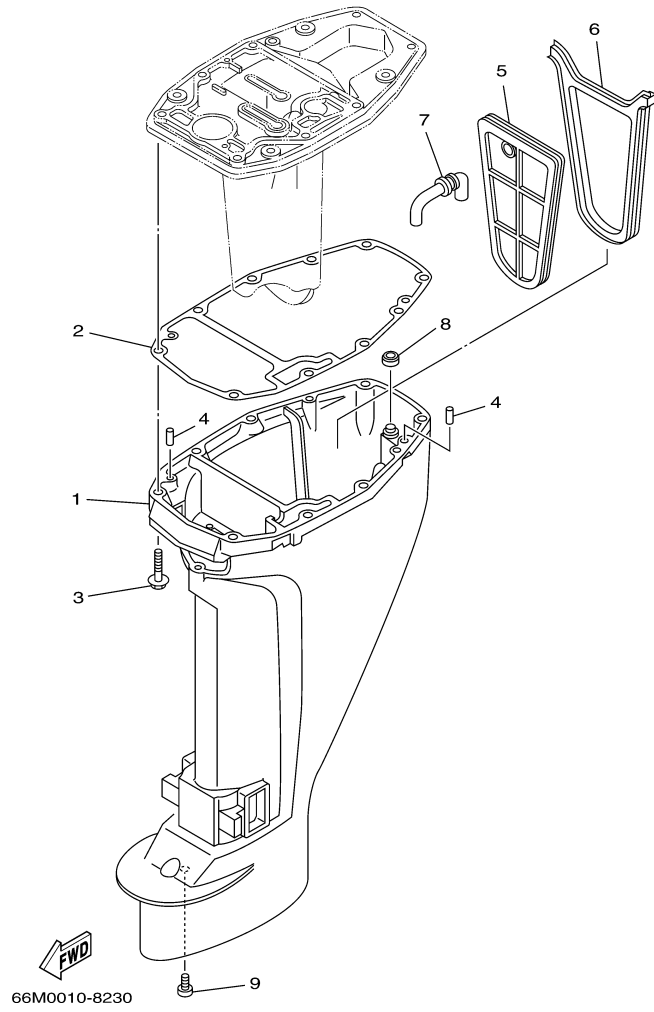
F15PLHZ 2001 / POWER TILT ASSY

REF - NO	PART NUMBER	PART NAME	QUANTITY	REMARKS
1	69A-43840-00-4D	POWER TILT ASSY	1	(PR)
2	69A-4380K-00-00	.CYLINDER, TILT SUB ASSY	1	(PR)
3	69A-22471-00-00	.CASE, CYLINDER	1	(PR)
4	93210-27666-00	.O-RING	1	(PR)
5	6H1-4388E-11-00	.PLUG, TAPER SCREW	1	(PR)
6	93210-07003-00	.O-RING	1	(PR)
7	69A-43814-00-00	.PISTON, FREE	1	(PR)
8	93210-21276-00	.O-RING	1	(PR)
9	69A-43872-00-00	.RING, BACK UP	1	(PR)
10	69A-43810-00-00	.TILT PISTON SUB ASSY	1	(PR)
11	69A-4380D-00-00	..PISTON COMP	1	(PR)
12	93210-21276-00	..O-RING	1	(PR)
13	69A-43872-00-00	..RING, BACK UP	1	(PR)
14	93505-32038-00	..BALL	1	(PR)
15	65W-4386A-00-00	..PIN, ABSORBER VALVE	1	(PR)
16	93604-06136-00	..PIN, DOWEL	1	(PR)
17	69A-43857-00-00	..SPRING, ABSORBER VALVE	1	(PR)
18	69A-43801-00-00	..ROD	1	(PR)
19	69A-43811-00-00	..SCREW, CYLINDER END	1	(PR)
20	6H1-43866-00-00	..O-RING	1	(PR)
21	69A-43871-00-00	..RING, BACK UP	1	(PR)
22	69A-43812-00-00	..SEAL, DUST	1	(PR)
23	69A-43869-00-00	..O-RING	1	(PR)
24	69A-43830-00-00	.GEAR PUMP ASSY	1	(PR)
25	69A-4380C-00-00	..GEAR HOUSING ASSY	1	(PR)
26	69A-43841-00-00	.PISTON, SHUTTLE	1	(PR)
27	69A-4384M-00-00	.PISTON, SHUTTLE 2	1	(PR)
28	62Y-43894-00-00	.SPRING, SHUTTLE RETURN	2	(PR)
29	69A-4384F-00-00	.SEAL, MAIN VALVE	2	(PR)
30	6H1-43883-00-00	.O-RING	1	(PR)
31	99001-03600-00	.CIRCLIP	2	(PR)
32	69A-4382G-00-00	.VALVE SEAT	2	(PR)
33	93210-12N52-00	.O-RING	2	(PR)
34	6T4-43808-00-00	.SEAT VALVE COMP 1	2	(PR)
35	6T4-43853-00-00	.SPRING, MAIN VALVE	2	(PR)
36	6H1-43816-00-00	.FILTER 1	2	(PR)
37	6H1-4384G-11-00	.SEAL, RELIEF VALVE	2	(PR)
38	6H1-43844-10-00	.PIN, VALVE SUPPORT	2	(PR)
39	69A-43855-00-00	.SPRING, UP RELIEF	1	(PR)
40	6H1-43856-10-00	.SPRING, DOWN RELIEF	1	(PR)
41	93501-08001-00	.BALL	2	(PR)
42	69A-4386A-00-00	.PIN, ABSORBER VALVE	2	(PR)
43	69A-43824-00-00	.SPRING, DOWN RELIEF 2	2	(PR)
44	69A-43848-00-00	.ROD, MANUAL RELEASE	1	(PR)
45	93602-15250-00	.PIN, DOWEL	1	(PR)
46	93210-06001-00	.O-RING	1	(PR)
47	69A-43854-00-00	.SPRING, MANUAL RELEASE	1	(PR)
48	69A-4381G-00-00	.PIN 1	2	(PR)
49	93501-08001-00	.BALL	2	(PR)
50	6H1-43883-00-00	.O-RING	2	(PR)
51	69A-4384H-00-00	.SPRING	2	(PR)
52	93606-14081-00	.PIN, DOWEL	2	(PR)
53	91317-05025-00	.BOLT	6	(PR)
54	69A-43816-00-00	.FILTER 1	1	(PR)
55	N35-43862-10-00	.O-RING	1	(PR)
56	69A-23129-00-00	.GASKET, DRAIN PLUG	1	(PR)
57	69A-43878-00-00	.BOLT, SOCKET	4	(PR)
58	69A-43880-00-00	.MOTOR ASSY	1	(PR)
59	65W-43804-00-00	..STATOR ASSY	1	(PR)
60	65W-43805-00-00	..ARMATURE ASSY	1	(PR)



61	65W-43869-00-00	..O-RING	1	(PR)
62	65W-4386K-00-00	..SPRING, BRUSH	2	(PR)
63	65W-43882-00-00	..OIL SEAL	1	(PR)
64	69A-43881-00-00	..FRAME, END	1	(PR)
65	65W-43887-00-00	..BOLT	2	(PR)
66	65W-43892-00-00	..BRUSH 2	1	(PR)
67	65W-43891-00-00	..BRUSH 1	1	(PR)
68	65W-4380F-00-00	..PLATE, BRUSH HOLDER	1	(PR)
69	65W-43879-00-00	..SCREW, WITH WASHER	2	(PR)
70	65W-4388E-00-00	..BOLT	1	(PR)

F15PLHZ 2001 / UPPER CASING



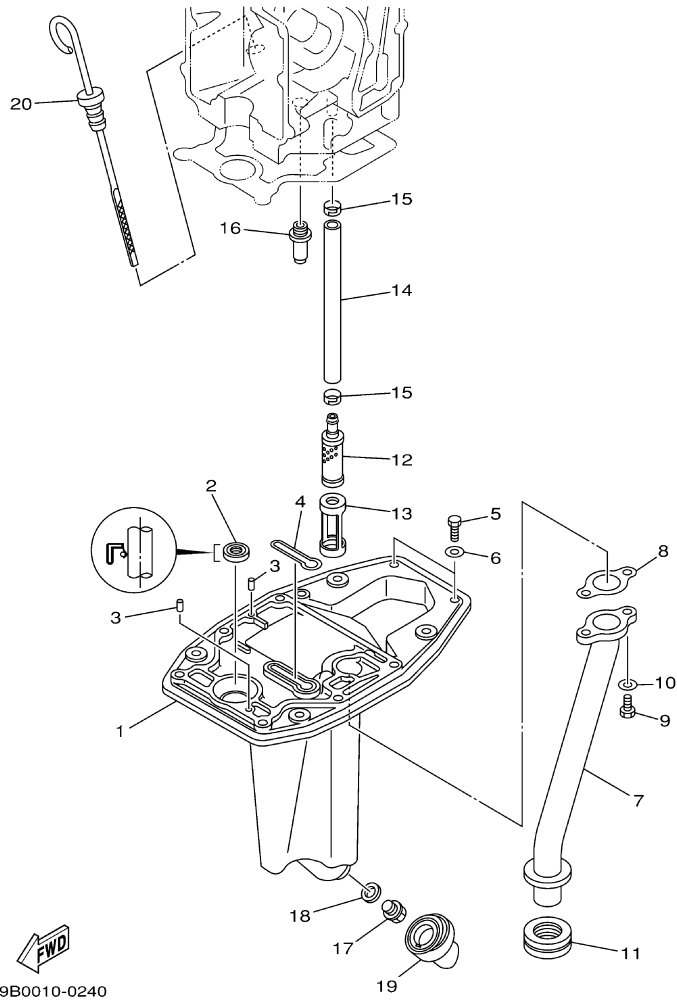
©2014 Yamaha Motor Corporation, U.S.A. All rights reserved.

## Part List

F15PLHZ 2001 / UPPER CASING

REF - NO	PART NUMBER	PART NAME	QUANTITY	REMARKS
1	66M-45111-10-4D	CASING, UPPER	1	L (PR)
2	66M-45113-00-00	.GASKET, UPPER CASING	1	(PR)
3	97575-08545-00	BOLT, WITH WASHER	6	(PR)
4	93606-12019-00	.PIN, DOWEL	2	(PR)
5	66M-45126-00-00	PLATE, SEAL DAMPER	1	(PR)
6	66M-45115-00-00	.GASKET, UPPER CASING	1	(PR)
7	66M-45136-00-00	PIPE	1	(PR)
8	66M-45128-00-00	.SEAL 2	1	(PR)
9	90157-06M06-00	SCREW, PAN HEAD	1	(PR)

F15PLHZ 2001 / OIL PAN



©2014 Yamaha Motor Corporation, U.S.A. All rights reserved.


## Part List

F15PLHZ 2001 / OIL PAN

REF - NO	PART NUMBER	PART NAME	QUANTITY	REMARKS
1	66M-41137-00-5B	GUIDE, EXHAUST	1	(PR)
2	93101-12M63-00	.OIL SEAL	1	(PR)
3	93606-12019-00	.PIN, DOWEL	2	(PR)
4	66M-11355-00-00	SEAL, CYLINDER 1	1	(PR)
5	97095-06020-00	BOLT	2	(PR)
6	92995-06600-00	WASHER	2	(PR)
7	66M-41131-01-94	MANIFOLD, EXT. 1	1	(PR)
8	66M-41133-00-00	.GASKET, EXHAUST MANIFOLD 1	1	(PR)
9	97095-06016-00	BOLT	2	(PR)
10	92995-06600-00	WASHER	2	(PR)
11	66M-41138-00-00	.SEAL, EXT. 1	1	(PR)
12	66M-13421-00-00	STRAINER 2	1	(PR)
13	66M-13417-00-00	COVER, STRAINER	1	(PR)
14	66M-13416-00-00	PIPE, OIL 1	1	(PR)
15	66M-24351-00-00	BAND 1	2	(PR)
16	6G8-11575-00-00	RELIEF VALVE ASSY	1	(PR)
17	90340-14M06-00	PLUG, STRAIGHT SCREW	1	(PR)
18	90430-14M09-00	.GASKET	1	(PR)
19	66M-15316-00-00	DAMPER, ENGINE MOUNT 1	1	(PR)
20	66M-15362-00-00	PLUG, OIL LEVEL	1	(PR)

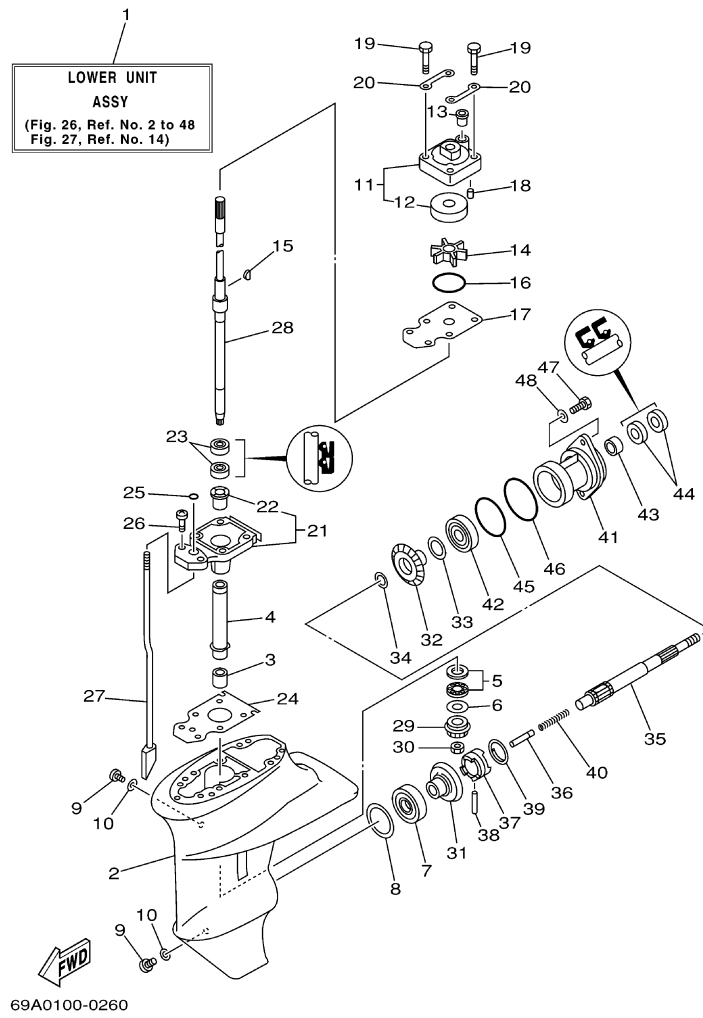
## Part Notes

F15PLHZ 2001 / OIL PAN

PART NUMBER	NOTE TEXT
90430-14M09-00 	OEM: This part number is among the Top 100 Most Popular Marine Maintenance Parts as of March 2014.

©2014 Yamaha Motor Corporation, U.S.A. All rights reserved.

F15PLHZ 2001 / LOWER CASING DRIVE 1



©2014 Yamaha Motor Corporation, U.S.A. All rights reserved.

## Part List


F15PLHZ 2001 / LOWER CASING DRIVE 1

REF - NO	PART NUMBER	PART NAME	QUANTITY	REMARKS
1	69A-45300-10-4D	LOWER UNIT ASSY	1	L (PR)
2	63V-45311-01-4D	CASING, LOWER	1	L (PR)
3	93315-314V8-00	BEARING	1	(PR)
4	63V-45536-00-00	SLEEVE, DRIVE SHAFT	1	(PR)
5	93341-414V1-00	BEARING	1	(PR)
6	6E8-45587-01-20	SHIM (T:1.20MM)	1	UR (PR)
6	6E8-45587-01-13	SHIM (T:1.13MM)	1	UR (PR)
7	93332-00005-00	BEARING	1	(PR)
8	664-45567-01-12	SHIM (T:0.12MM)	1	UR (PR)
8	664-45567-01-30	SHIM (T:0.30MM)	1	UR (PR)
8	664-45567-01-50	SHIM (T:0.50MM)	1	UR (PR)
8	664-45567-01-40	SHIM (T:0.40MM)	1	UR (PR)
8	664-45567-01-15	SHIM (T:0.15MM)	1	UR (PR)
8	664-45567-01-18	SHIM (T:0.18MM)	1	UR (PR)
8	664-45567-01-10	SHIM (T:0.10MM)	1	UR (PR)
9	90340-08M04-00	PLUG, STRAIGHT SCREW	2	(PR)
10	90430-08020-00	.GASKET	2	(PR)
11	63V-44301-00-00	WATER PUMP HOUSING COMP.	1	(PR)
12	63V-44322-00-00	.INSERT, CARTRIDGE	1	(PR)
13	647-44366-00-00	.DAMPER, WATER SEAL	1	(PR)
14	63V-44352-01-00	.IMPELLER	1	(PR)
15	664-44338-00-00	.KEY, WOODRUFF	1	(PR)
16	93210-44398-00	.O-RING	1	(PR)
17	63V-44323-00-00	.OUTER PLATE, CARTRIDGE	1	(PR)
18	93604-12M07-00	PIN, DOWEL	2	(PR)
19	97080-08045-00	BOLT	4	(PR)
20	63V-44328-00-00	PLATE	2	(PR)
21	63V-45331-00-5B	HOUSING, BEARING	1	(PR)
22	90381-14020-00	.BUSH, SOLID	1	(PR)
23	93101-20048-00	.OIL SEAL	2	(PR)
24	63V-45315-A0-00	.PACKING, LOWER CASING	1	(PR)
25	93210-06ME6-00	.O-RING	1	(PR)
26	97080-08025-00	BOLT	2	(PR)
27	66M-44150-10-00	SHIFT CAM ASSY	1	L (PR)
28	69A-45510-10-00	DRIVE SHAFT ASSY	1	L (PR)
29	63V-45551-00-00	PINION (13T)	1	(PR)
30	90179-08M06-00	NUT	1	(PR)
31	6E7-45560-01-00	GEAR 1 (27T)	1	(PR)
32	6E7-45571-00-00	GEAR 2 (27T)	1	(PR)
33	626-45577-00-01	SHIM (T:0.10MM)	1	UR (PR)
33	626-45577-00-05	SHIM (T:0.50MM)	1	UR (PR)
33	626-45577-00-03	SHIM (T:0.30MM)	1	UR (PR)
34	90201-17682-00	WASHER, PLATE	1	(PR)
35	69A-45611-00-00	SHAFT, PROPELLER	1	(PR)
36	650-45635-00-00	PLUNGER, SHIFT	1	(PR)
37	682-45631-00-00	CLUTCH, DOG	1	(PR)
38	90250-05010-00	PIN, STRAIGHT	1	(PR)
39	648-45633-00-00	RING, CROSS PIN	1	(PR)
40	90501-14M06-00	SPRING, COMPRESSION	1	(PR)
41	683-45361-02-4D	CAP, LOWER CASING	1	(PR)
42	93306-00501-00	BEARING	1	(PR)
43	93315-317U2-00	BEARING	1	(PR)
44	93101-17054-00	.OIL SEAL	2	(PR)
45	93210-57M09-00	.O-RING	1	(PR)
46	93210-56M80-00	.O-RING	1	(PR)
47	97095-06020-00	BOLT	2	(PR)
48	92995-06600-00	WASHER	2	(PR)

## Part Notes

F15PLHZ 2001 / LOWER CASING DRIVE 1

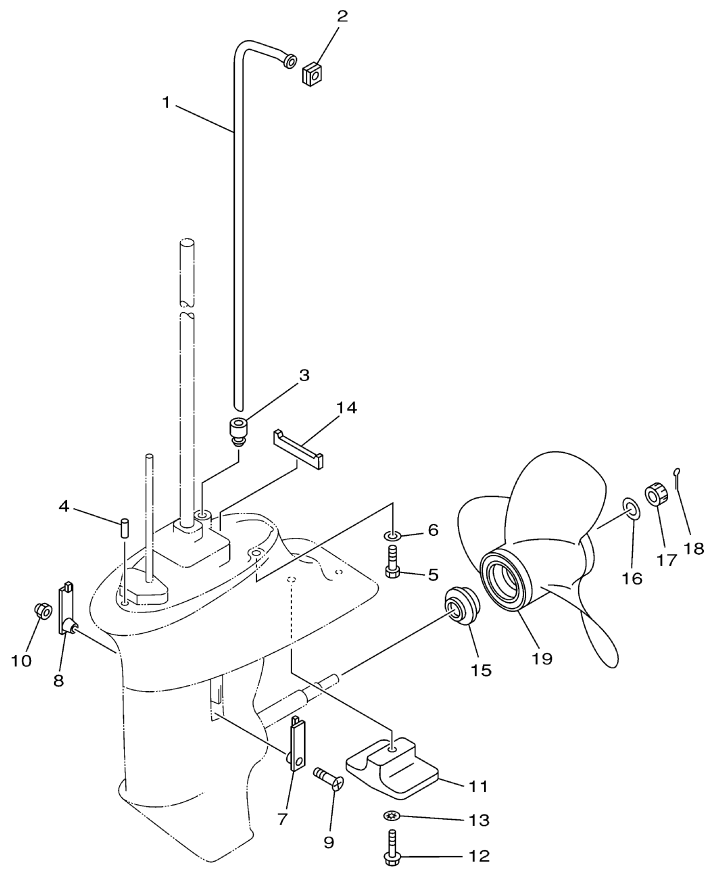
---

PART NUMBER		NOTE TEXT
90430-08020-00		OEM: This part number is among the Top 100 Most Popular Marine Maintenance Parts as of March 2014.

©2014 Yamaha Motor Corporation, U.S.A. All rights reserved.



F15PLHZ 2001 / LOWER CASING DRIVE 2



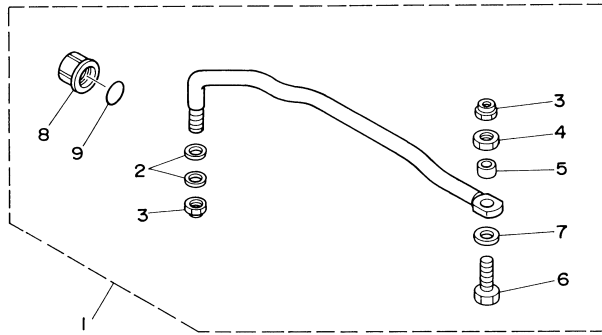
69B0010-0260

## Part List

F15PLHZ 2001 / LOWER CASING DRIVE 2

REF - NO	PART NUMBER	PART NAME	QUANTITY	REMARKS
1	66M-44361-10-00	TUBE, WATER	1	L (PR)
2	63V-44365-10-00	DAMPER, WATER SEAL 1	1	(PR)
3	63V-44368-00-00	.RUBBER, WATER SEAL 4	1	(PR)
4	93604-12M07-00	PIN, DOWEL	2	(PR)
5	97075-08030-00	BOLT	4	(PR)
6	92995-08600-00	WASHER	4	(PR)
7	6G1-45214-00-00	COVER, WATER INLET 1	1	(PR)
8	63V-45215-00-00	COVER, WATER INLET 2	1	(PR)
9	90152-05M04-00	SCREW, COUNTERSUNK	1	(PR)
10	90185-05002-00	NUT, NYLON	1	(PR)
11	61N-45251-00-00	ANODE	1	(PR)
12	95895-06030-00	BOLT, FLANGE	1	(PR)
13	92990-06300-00	WASHER, INTERNAL TOOTH	1	(PR)
14	63V-45375-00-00	DAMPER, SEAL	1	(PR)
15	6E7-45987-01-00	SPACER 1	1	(PR)
16	90201-10M01-00	WASHER, PLATE	1	(PR)
17	90171-10M01-00	NUT, CASTLE	1	(PR)
18	91490-30020-00	PIN. COTTER	1	(PR)
19	683-45943-00-EL	PROPELLER (3X9-1/4"X10-1/2"-J)	1	UR (PR)
19	683-45945-00-EL	PROPELLER (3X9-1/4"X9"-J)	1	UR (PR)
19	63V-45947-00-EL	PROPELLER (3X9-1/4"X8"-J)	1	UR (PR)
19	683-45941-00-EL	PROPELLER (3X9-1/4"X12"-J)	1	UR (PR)
19	683-45952-00-EL	PROPELLER (3X9-1/4"X9-3/4"-J)	1	UR (PR)

F15PLHZ 2001 / STEERING GUIDE



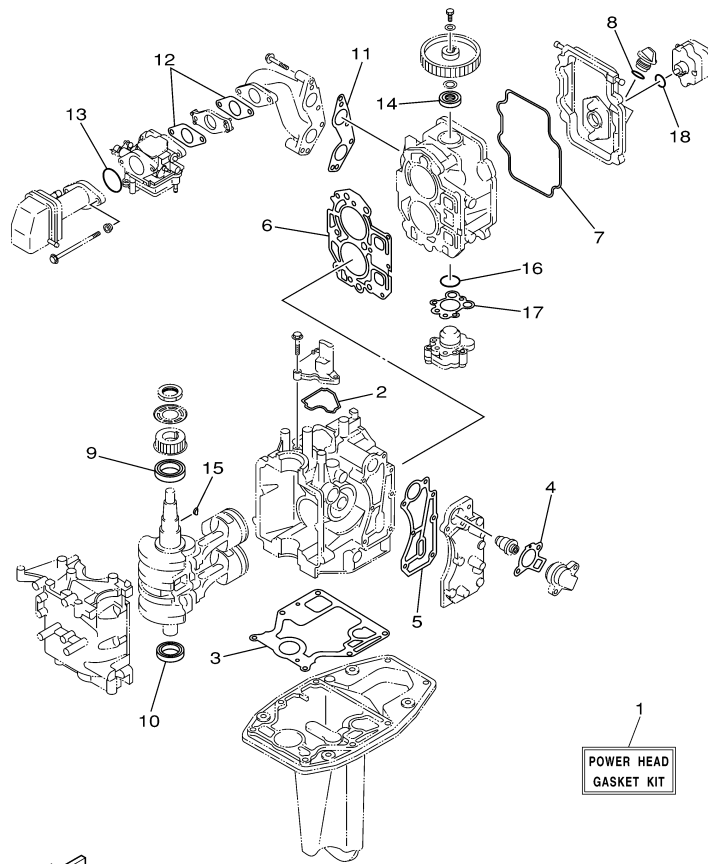
63V0100-5210

## Part List

F15PLHZ 2001 / STEERING GUIDE

REF - NO	PART NUMBER	PART NAME	QUANTITY	REMARKS
1	63V-61350-00-00	STEERING GUIDE ATTACHMENT KIT	1	AP (PR)
2	90201-10M20-00	.WASHER, PLATE	2	(PR)
3	90185-09M01-00	.NUT, SELF-LOCKING	2	(PR)
4	90170-09M03-00	.NUT	1	(PR)
5	90387-10M42-00	.COLLAR	1	(PR)
6	6E5-61355-00-00	.BOLT	1	(PR)
7	90201-10M63-00	.WASHER, PLATE	1	(PR)
8	6E5-43145-01-00	.CAP, CLAMP BRACKET	1	(PR)
9	93210-16275-00	.O-RING	1	(PR)

F15PLHZ 2001 / REPAIR KIT 1



1  
POWER HEAD  
GASKET KIT



66M0100-8270


## Part List

F15PLHZ 2001 / REPAIR KIT 1

REF - NO	PART NUMBER	PART NAME	QUANTITY	REMARKS
1	66M-W0001-00-00	POWER HEAD GASKET KIT	1	(PR)
2	66M-11357-00-00	.SEAL, CYLINDER 3	1	(PR)
3	66M-11351-00-00	.GASKET, CYLINDER	1	(PR)
4	62Y-12414-00-00	.GASKET, COVER	1	(PR)
5	66M-41114-00-00	.GASKET, EXHAUST OUTER COVER	1	(PR)
6	66M-11181-00-00	.GASKET, CYLINDER HEAD 1	1	(PR)
7	66M-11356-00-00	.SEAL, CYLINDER 2	1	(PR)
8	93210-24M79-00	.O-RING	1	(PR)
9	93102-35M51-00	.OIL SEAL	1	(PR)
10	93102-25M52-00	.OIL SEAL	1	(PR)
11	66M-13645-00-00	.GASKET, MANIFOLD 1	1	(PR)
12	66M-13646-00-00	.GASKET, MANIFOLD 2	2	(PR)
13	93210-35M86-00	.O-RING	1	(PR)
14	93102-18M21-00	.OIL SEAL	1	(PR)
15	90280-03M01-00	.KEY, WOODRUFF	1	(PR)
16	66M-13329-00-00	.GASKET, PUMP COVER	1	(PR)
17	93210-20M65-00	..O-RING	1	(PR)

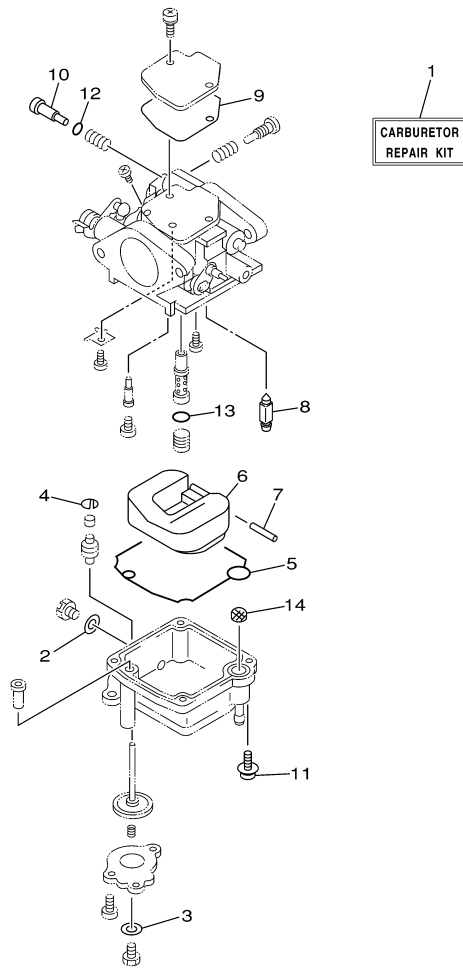
## Part Notes

F15PLHZ 2001 / REPAIR KIT 1

PART NUMBER	NOTE TEXT
62Y-12414-00-00 	OEM: This part number is among the Top 100 Most Popular Marine Maintenance Parts as of March 2014.

©2014 Yamaha Motor Corporation, U.S.A. All rights reserved.

F15PLHZ 2001 / REPAIR KIT 2



66M0100-8280

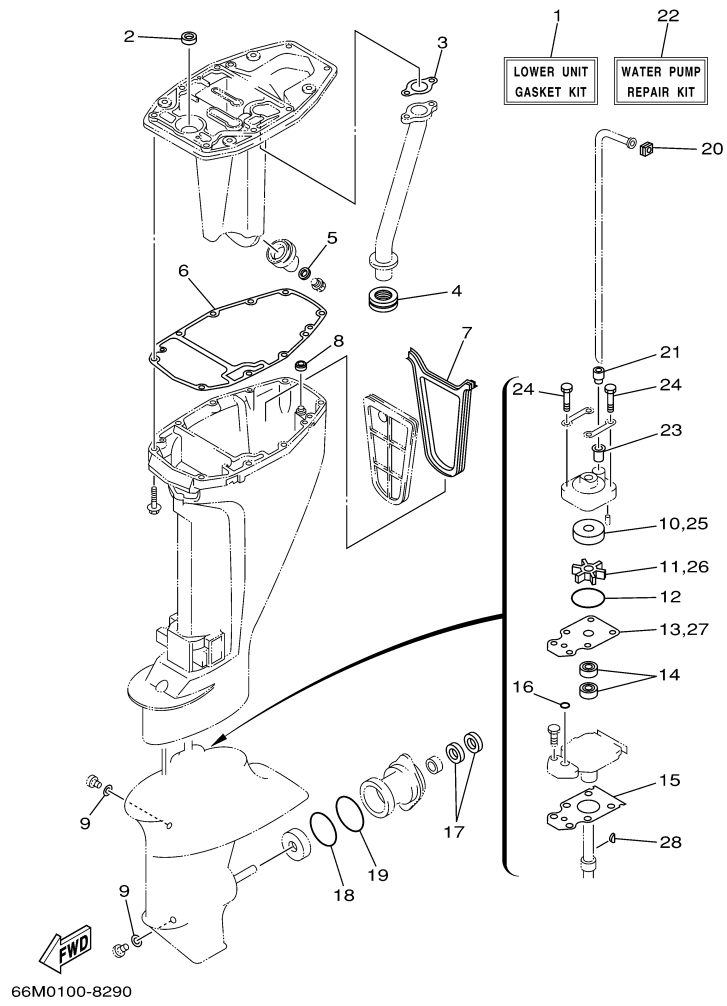
## Part List

F15PLHZ 2001 / REPAIR KIT 2

REF - NO	PART NUMBER	PART NAME	QUANTITY	REMARKS
1	66M-W0093-00-00	CARBURETOR REPAIR KIT	1	(PR)
2	66M-14398-00-00	.GASKET	1	(PR)
3	6L2-14398-00-00	.GASKET	1	(PR)
4	66M-14377-00-00	.STOPPER	1	(PR)
5	66M-14384-00-00	.GASKET, FLOAT CHAMBER	1	(PR)
6	6L2-14385-00-00	.FLOAT	1	(PR)
7	6E5-14386-01-00	.PIN, FLOAT	1	(PR)
8	6L2-14392-00-00	.VALVE	1	(PR)
9	62Y-14399-00-00	.GASKET	1	(PR)
10	5H0-14323-00-00	.SCREW, AIR ADJUSTING	1	(PR)
11	97980-04112-00	.SCREW, WITH WASHER	4	(PR)
12	62Y-14397-00-00	.O-RING	1	(PR)
13	6F5-14397-00-00	.O-RING	1	(PR)
14	66M-14827-00-00	.FILTER	1	(PR)



F15PLHZ 2001 / REPAIR KIT 3



©2014 Yamaha Motor Corporation, U.S.A. All rights reserved.



## Part List

F15PLHZ 2001 / REPAIR KIT 3

REF - NO	PART NUMBER	PART NAME	QUANTITY	REMARKS
1	66M-W0001-20-00	LOWER UNIT GASKET KIT	1	(PR)
2	93101-13M27-00	.O-RING	1	(PR)
3	66M-41133-00-00	.GASKET, EXHAUST MANIFOLD 1	1	(PR)
4	66M-41138-00-00	.SEAL, EXT 1	1	(PR)
5	90430-14M09-00	.GASKET	1	(PR)
6	66M-45113-00-00	.GASKET, UPPER CASING	1	(PR)
7	66M-45115-00-00	.GASKET, UPPER CASING	1	(PR)
8	66M-45128-00-00	.SEAL 2	1	(PR)
9	90430-08020-00	.GASKET	2	(PR)
10	63V-44322-00-00	.INSERT, CARTRIDGE	1	(PR)
11	63V-44352-01-00	.IMPELLER	1	(PR)
12	93210-44398-00	.O-RING	1	(PR)
13	63V-44323-00-00	.OUTER PLATE, CARTRIDGE	1	(PR)
14	93101-20048-00	.OIL SEAL	2	(PR)
15	63V-45315-A0-00	.PACKING, LOWER CASING	1	(PR)
16	93210-06ME6-00	.O-RING	1	(PR)
17	93101-17054-00	.OIL SEAL	2	(PR)
18	93210-57M09-00	.O-RING	1	(PR)
19	93210-56M80-00	.O-RING	1	(PR)
20	63V-44365-10-00	.DAMPER, WATER SEAL 1	1	(PR)
21	63V-44368-00-00	.RUBBER, WATER SEAL 4	1	(PR)
22	63V-W0078-00-00	WATER PUMP REPAIR KIT	1	(PR)
23	647-44366-00-00	.DAMPER, WATER SEAL	1	(PR)
24	97080-08045-00	.BOLT	4	(PR)
25	63V-44322-00-00	.INSERT, CARTRIDGE	1	(PR)
26	63V-44352-01-00	.IMPELLER	1	(PR)
27	63V-44323-00-00	.OUTER PLATE, CARTRIDGE	1	(PR)
28	664-44338-00-00	.KEY, WOODRUFF	1	(PR)

## Part Notes

F15PLHZ 2001 / REPAIR KIT 3

PART NUMBER		NOTE TEXT
90430-14M09-00		OEM: This part number is among the Top 100 Most Popular Marine Maintenance Parts as of March 2014.
90430-08020-00		OEM: This part number is among the Top 100 Most Popular Marine Maintenance Parts as of March 2014.

©2014 Yamaha Motor Corporation, U.S.A. All rights reserved.

F15PLHZ 2001 / MODELS IN THIS CATALOG

## **F15PLHZ (69A0)**

Engine Serial No. F15PLHZ: 66ML-900111 and following

## **F15PLRZ (69A0)**

Engine Serial No. F15PLRZ: 66ML-800141 and following

**ALL THESE MODELS USE THIS SAME PARTS CATALOG.  
BE SURE TO ORDER ONLY THOSE PARTS APPLICABLE  
TO THE DESIRED MODEL.**

©2014 Yamaha Motor Corporation, U.S.A. All rights reserved.

©2014 Yamaha Motor Corporation, U.S.A. All rights reserved.