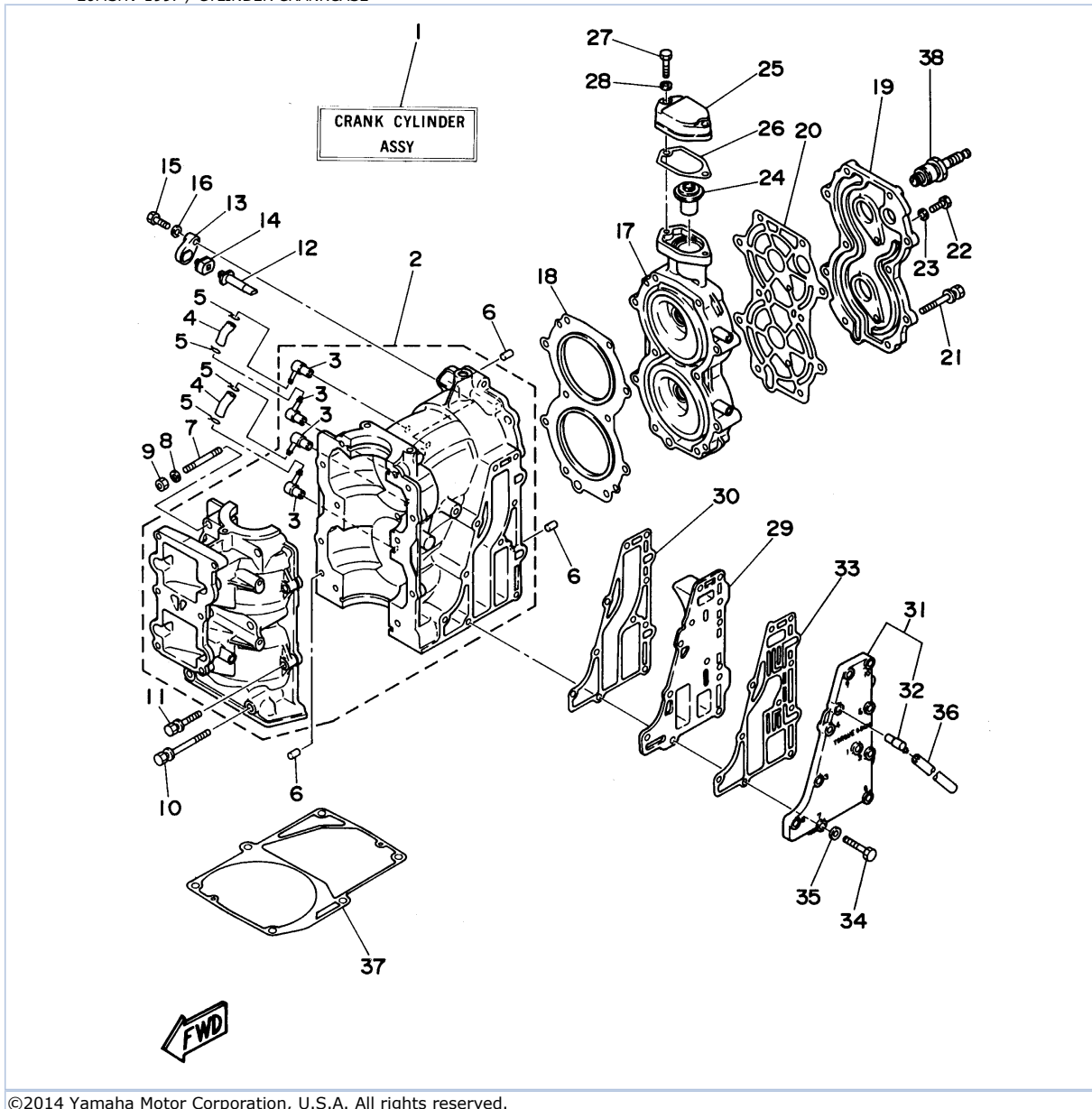


20MSHV 1997 / CYLINDER CRANKCASE



©2014 Yamaha Motor Corporation, U.S.A. All rights reserved.






Part List

20MSHV 1997 / CYLINDER CRANKCASE

REF - NO	PART NUMBER	PART NAME	QUANTITY	REMARKS
1	6L2-W0090-11-4D	CRANK CYLINDER ASSEMBLY	1	UR 25 OIL INJECTED
1	6L2-W0090-03-4D	CRANK CYLINDER ASSY	0	UR 20 NON OIL INJECTED
2	6L2-15100-00-94	CRANKCASE ASSY	0	UR 20
2	6L2-15100-10-94	CRANKCASE ASSEMBLY	1	UR 25
3	6E5-11372-00-00	.NIPPLE, HOSE	4	
4	90445-07M15-00	HOSE (L40)	2	
5	90467-06016-00	CLIP	4	
6	93604-10M03-00	PIN, DOWEL	4	
7	95617-08645-00	BOLT, STUD	2	
8	90201-08086-00	WASHER, PLATE	2	
9	95333-08600-00	NUT	2	
10	90119-08M21-00	BOLT, WITH WASHER	4	
11	90119-06M14-00	BOLT, WITH WASHER	4	
12	6J8-11325-00-00	ANODE	1	
13	6H3-11327-00-94	COVER, ANODE	1	
14	6H3-11328-00-00	GROMMET, ANODE	1	
15	97095-06016-00	BOLT	1	
16	92990-06600-00	WASHER, PLATE	1	
17	6L2-11111-01-94	HEAD, CYLINDER 1	1	
18	6L2-11181-A2-00	.GASKET, CYLINDER HEAD 1	1	
19	6L2-11191-00-9M	COVER, CYLINDER HEAD 1	1	
20	6L2-11193-A1-00	.GASKET, HEAD COVER 1	1	
21	90119-08M20-00	BOLT, WITH WASHER	10	
22	97095-06016-00	BOLT	2	
23	92990-06600-00	WASHER, PLATE	2	
24	6E5-12411-20-00	THERMOSTAT	1	
25	6H4-12413-00-9M	COVER, THERMOSTAT	1	
26	61A-12414-A0-00	.GASKET, COVER	1	
27	97095-06025-00	BOLT	2	
28	92990-06600-00	WASHER, PLATE	2	
29	6L2-41111-00-9M	INNER COVER, EXHAUST	1	
30	6L2-41112-A1-00	.GASKET, EXHAUST INNER COVER	1	
31	6L2-41113-00-9M	OUTER COVER, EXHAUST	1	
32	676-11372-00-00	.NIPPLE, HOSE	1	
33	6L2-41114-A1-00	.GASKET, EXHAUST OUTER COVER	1	
34	97095-06030-00	BOLT	10	
35	92990-06600-00	WASHER, PLATE	10	
36	90445-10M40-00	HOSE (L330)	1	
37	6L2-45113-A1-00	.GASKET, UPPER CASING	1	
38	NGK-B7HS1-00-00	PLUG, SPARK (NGK B7HS-10)	2	

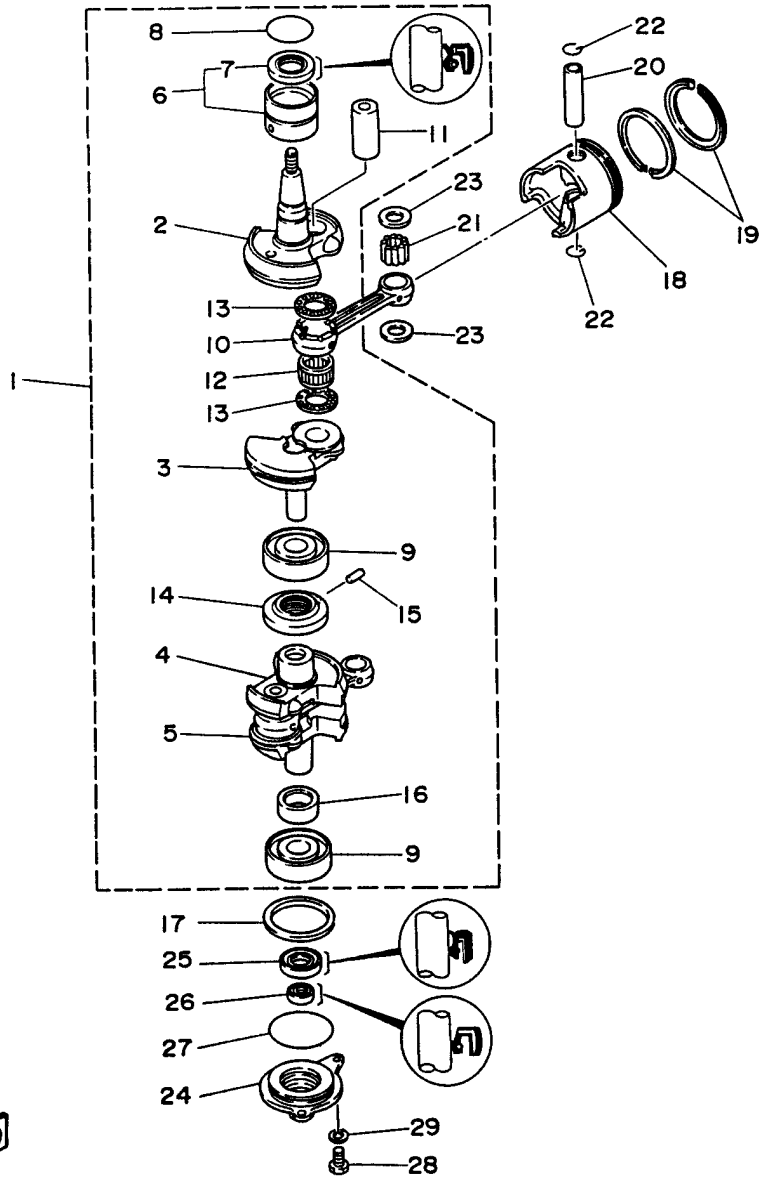
Part Notes

20MSHV 1997 / CYLINDER CRANKCASE

PART NUMBER	NOTE TEXT
92990-06600-00 	OEM: This part number is among the Top 100 Most Popular Marine Maintenance Parts as of March 2014.
92990-06600-00 	OEM: This part number is among the Top 100 Most Popular Marine Maintenance Parts as of March 2014.
61A-12414-A0-00 	OEM: This part number is among the Top 100 Most Popular Marine Maintenance Parts as of March 2014.
92990-06600-00 	OEM: This part number is among the Top 100 Most Popular Marine Maintenance Parts as of March 2014.
92990-06600-00 	OEM: This part number is among the Top 100 Most Popular Marine Maintenance Parts as of March 2014.

©2014 Yamaha Motor Corporation, U.S.A. All rights reserved.

20MSHV 1997 / CRANKSHAFT PISTON



©2014 Yamaha Motor Corporation, U.S.A. All rights reserved.


Part List

20MSHV 1997 / CRANKSHAFT PISTON

REF - NO	PART NUMBER	PART NAME	QUANTITY	REMARKS
1	6L2-11400-10-00	CRANKSHAFT ASSEMBLY	1	UR 25
2	6L2-11412-00-00	.CRANK 1	1	
3	6L2-11422-00-00	.CRANK 2	1	
4	6L2-11432-00-00	.CRANK 3	1	
5	6L2-11442-00-00	.CRANK 4	1	
6	93311-632U7-00	.BEARING	1	
7	93102-26M27-00	.OIL SEAL	1	
8	93210-42159-00	.O-RING	1	
9	93306-305U3-00	.BEARING	2	
10	6L2-11651-00-00	.ROD, CONNECTING	2	
11	6L2-11681-00-00	.PIN, CRANK 1	2	
12	93310-424W9-00	.BEARING	2	
13	90209-24M15-00	.WASHER	4	
14	6L2-11515-00-00	.SEAL, LABYRINTH 1	1	
15	91690-30010-00	.PIN, SPRING	1	
16	6J8-11536-00-00	.GEAR, DRIVE	1	UR 25
17	90201-50306-00	WASHER, PLATE	1	
18	6L2-11631-00-97	PISTON (STD)	2	
18	6L2-11636-00-00	PISTON (0.50MM O/S)	2	AP
18	6L2-11635-00-00	PISTON (0.25MM O/S)	2	
19	6L2-11610-00-00	PISTON RING SET (STD)	2	
19	6L2-11610-20-00	PISTON RING SET (0.50MM O/S)	2	AP
19	6L2-11610-10-00	PISTON RING SET (0.25MM O/S)	2	AP
20	648-11633-00-00	PIN, PISTON	2	
21	93602-18M12-00	PIN, DOWEL	62	
22	93450-20026-00	CIRCLIP	4	
23	90201-18522-00	WASHER, PLATE	4	
24	6L2-15396-00-5B	HOUSING, OIL SEAL	1	
25	93102-25142-00	.OIL SEAL	1	
26	93101-13M37-00	.OIL SEAL	1	
27	93210-56M80-00	.O-RING	1	
28	97095-06016-00	BOLT	2	
29	92990-06600-00	WASHER, PLATE	2	

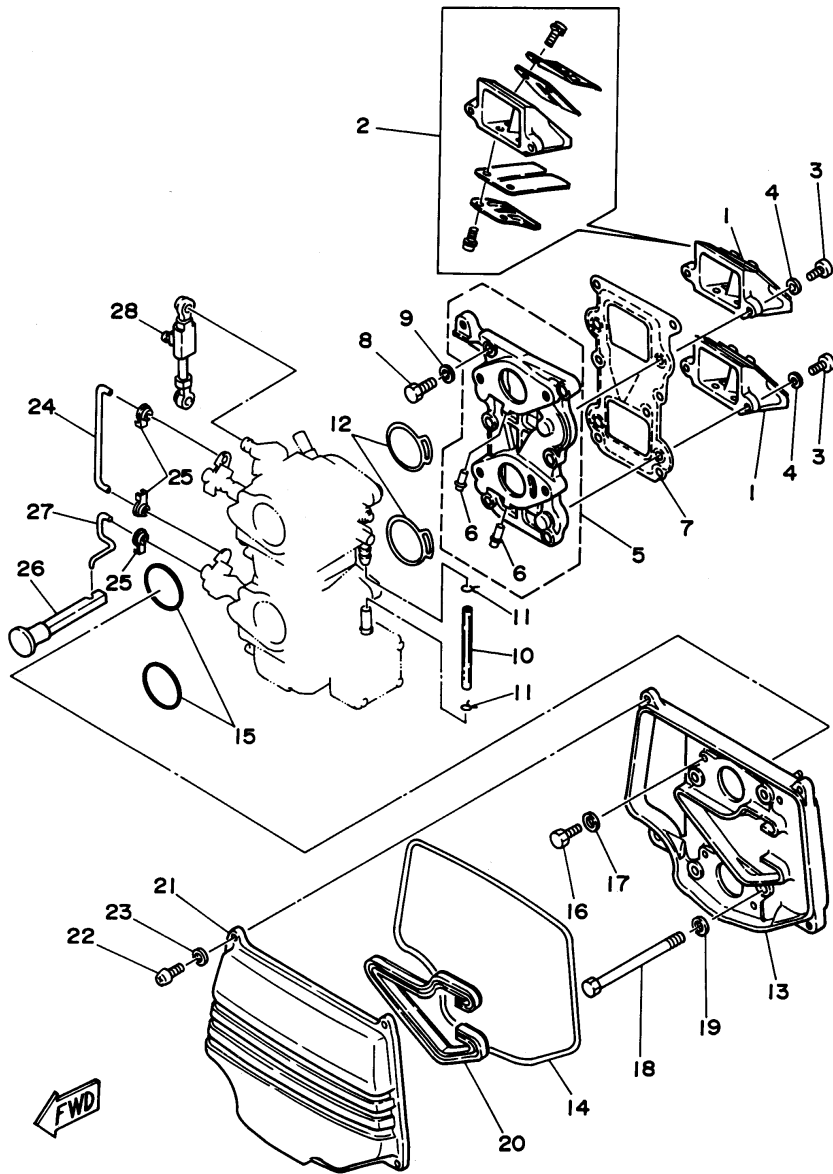
Part Notes

20MSHV 1997 / CRANKSHAFT PISTON

PART NUMBER	NOTE TEXT
92990-06600-00 	OEM: This part number is among the Top 100 Most Popular Marine Maintenance Parts as of March 2014.

©2014 Yamaha Motor Corporation, U.S.A. All rights reserved.

20MSHV 1997 / INTAKE



©2014 Yamaha Motor Corporation, U.S.A. All rights reserved.



Part List

20MSHV 1997 / INTAKE

REF - NO	PART NUMBER	PART NAME	QUANTITY	REMARKS
1	6L2-13610-00-00	REED VALVE ASSY	2	
2	6L2-W0004-00-00	.REED SET	1	
3	98580-05016-00	SCREW, PAN HEAD	4	
4	92990-05600-00	WASHER, PLATE	4	
5	6L2-13641-10-94	MANIFOLD 1	1	UR 25
5	6L2-13641-00-94	MANIFOLD 1	1	UR 20
6	676-14485-00-00	.PIPE, JOINT	2	UR 25
7	6L2-13621-00-00	.GASKET, VALVE SEAT	1	
8	97095-06025-00	BOLT	6	
9	92990-06600-00	WASHER, PLATE	6	
10	90445-09078-00	HOSE	1	
11	90467-08004-00	CLIP	2	
12	6L2-14198-00-00	.GASKET	2	
13	6L2-14417-00-94	COVER 1	1	
14	6L2-14476-00-00	SEAL	1	
15	93210-35M86-00	.O-RING	2	
16	97013-05012-00	BOLT	4	
17	92990-05600-00	WASHER, PLATE	4	
18	97390-06085-00	BOLT	4	
19	92990-06600-00	WASHER, PLATE	4	
20	6L2-14476-11-00	SEAL	1	
21	6L2-14418-00-00	COVER 2	1	
22	98580-05016-00	SCREW, PAN HEAD	4	
23	92990-05600-00	WASHER, PLATE	4	
24	6J8-41259-00-00	ROD, CHOKE 3	1	
25	661-41262-02-00	JOINT, CHOKE LEVER	3	
26	6J8-41271-01-00	KNOB, CHOKE	1	
27	6L2-41257-00-00	ROD, CHOKE 2	1	
28	6L2-41217-00-00	ROD, ACCEL. LEVER	1	

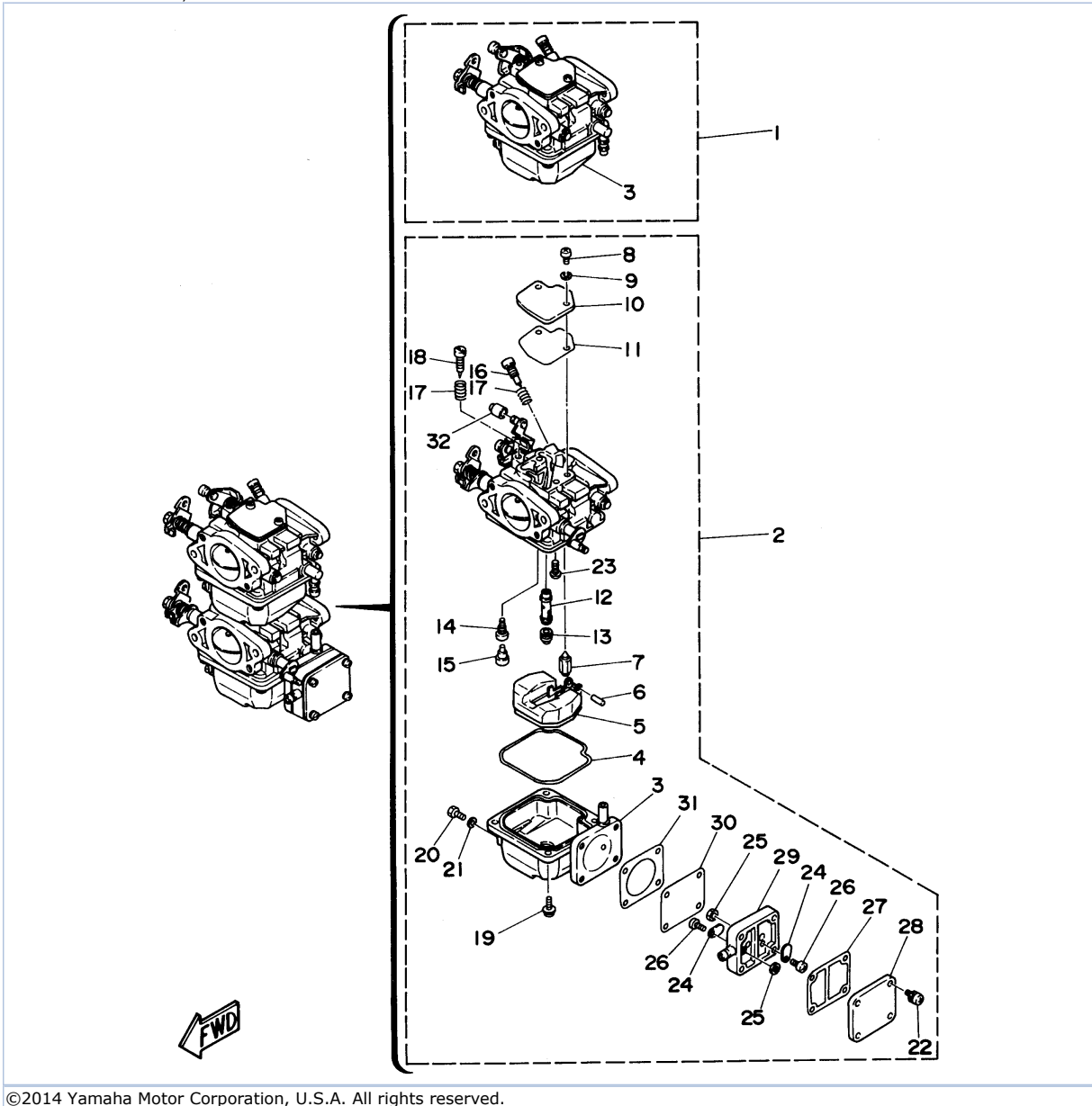
Part Notes

20MSHV 1997 / INTAKE

PART NUMBER		NOTE TEXT
92990-06600-00		OEM: This part number is among the Top 100 Most Popular Marine Maintenance Parts as of March 2014.
92990-06600-00		OEM: This part number is among the Top 100 Most Popular Marine Maintenance Parts as of March 2014.

©2014 Yamaha Motor Corporation, U.S.A. All rights reserved.

20MSHV 1997 / CARBURETOR



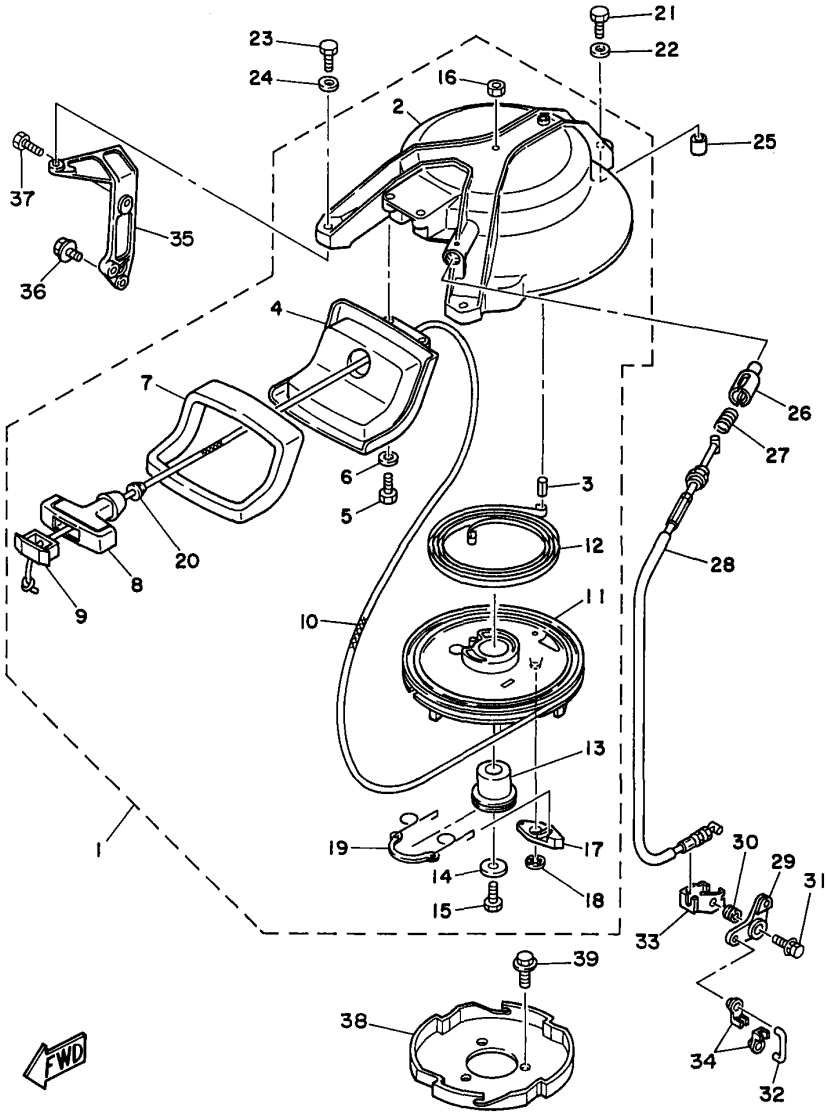
©2014 Yamaha Motor Corporation, U.S.A. All rights reserved.

Part List

20MSHV 1997 / CARBURETOR

REF - NO	PART NUMBER	PART NAME	QUANTITY	REMARKS
1	6L2-14301-01-00	CARBURETOR ASSY 1	1	UR UPPER 25
1	6L3-14301-00-00	CARBURETOR ASSEMBLY 1	1	UR UPPER 20
2	6L3-14302-00-00	CARBURETOR ASSEMBLY 2	1	UR LOWER 20
2	6L2-14302-01-00	CARBURETOR ASSY 2	1	UR LOWER 25
3	6L2-14381-00-00	.BODY, FLOAT CHAMBER 1	1	UR UPPER
3	6L2-14383-00-00	.SCREW, DRAIN	1	UR LOWER
4	6L2-14384-00-00	.GASKET, FLOAT CHAMBER	2	
5	6L2-14385-00-00	.FLOAT	2	
6	6E5-14386-01-00	.PIN, FLOAT	2	
7	6L2-14392-00-00	.VALVE	2	
8	98580-04010-00	.SCREW, PAN HEAD	4	
9	92990-04100-00	.WASHER, SPRING	4	
10	6L2-14157-00-00	.COVER, MIXING	2	
11	6L2-14399-00-00	.GASKET	2	
12	6L2-14341-00-00	.NOZZLE, MAIN	2	
13	30X-14343-63-00	.JET, MAIN (125)	2	
14	6L2-14342-30-00	.JET, PILOT (60)	2	
15	50M-14355-00-00	.PLUG	2	
16	6L2-14323-00-00	.SCREW, AIR ADJUSTING	2	
17	646-14212-01-00	.SPRING, PILOT ADJUSTING	4	
18	664-14321-01-00	.SCREW, THROTTLE	2	
19	97980-04112-00	.SCREW, WITH WASHER	8	
20	677-14383-01-00	.SCREW, DRAIN	2	
21	6L2-14398-00-00	.GASKET	2	
22	677-24444-01-00	.SCREW	4	
23	98980-04006-00	.SCREW, BIND	2	
24	6A0-24421-01-00	.VALVE, CHECK	2	
25	95380-03600-00	.NUT	2	
26	6E7-14325-00-00	.SCREW, PAN HEAD	2	
27	6L2-24435-00-00	.GASKET, BODY 2	1	
28	6L2-24413-00-00	.BODY 2	1	
29	682-24412-00-00	.BODY 1	1	
30	677-24411-02-00	.DIAPHRAGM	1	
31	677-24434-02-00	.GASKET, BODY	1	
32	6L2-14578-00-00	.COLLAR	1	LOWER

20MSHV 1997 / STARTER



©2014 Yamaha Motor Corporation, U.S.A. All rights reserved.




Part List

20MSHV 1997 / STARTER

REF - NO	PART NUMBER	PART NAME	QUANTITY	REMARKS
1	6L2-15710-02-00	STARTER ASSY	1	
2	6L2-15711-00-94	.CASE, STARTER	1	
3	91690-40014-00	.PIN, SPRING	1	
4	6L2-15758-01-94	.GUIDE, ROPE	1	
5	97095-06016-00	.BOLT	2	
6	92990-06600-00	.WASHER, PLATE	2	
7	6L2-15762-00-00	.SEAL, RUBBER 2	1	
8	689-15755-01-00	.HANDLE, STARTER	1	
9	6F5-15779-02-00	.COVER	1	
10	90580-50M01-00	.ROPE, STARTER	1	
11	6J8-15714-00-00	.DRUM, SHEAVE	1	
12	90510-08M04-00	.SPRING, SPIRAL	1	
13	677-15717-01-00	.SHAFT, STARTER	1	
14	90201-065F3-00	.WASHER, PLATE	1	
15	97095-06025-00	.BOLT	1	
16	95380-06700-00	.NUT	1	
17	676-15741-03-00	.PAWL, DRIVE	1	
18	93430-06M02-00	.CIRCLIP	1	
19	6J8-15705-00-00	.SPRING, DRIVE PAWL	1	
20	6A0-15789-00-00	.DAMPER	1	
21	97095-06035-00	BOLT	1	
22	92990-06600-00	WASHER, PLATE	1	
23	97095-06025-00	BOLT	2	
24	92990-06600-00	WASHER, PLATE	2	
25	99530-10014-00	PIN, DOWEL	1	
26	656-15748-00-00	PLUNGER, STARTER STOP	1	
27	90501-10227-00	SPRING, COMPRESSION	1	
28	6L2-15770-00-00	CABLE COMP., STARTER STOP	1	
29	6L2-15746-00-00	ARM	1	
30	90387-06M51-00	COLLAR	1	
31	90119-06M53-00	BOLT, WITH WASHER	1	
32	6L2-15747-00-00	LINK	1	
33	6L2-15774-00-00	STAY 4	1	
34	661-41262-02-00	JOINT, CHOKE LEVER	2	
35	6L2-15772-00-94	STAY 2	1	
36	97595-06520-00	BOLT, WITH WASHER	1	
37	97095-06020-00	BOLT	1	
38	6L2-15723-01-00	PULLEY, STARTER	1	
39	90105-08M10-00	BOLT, FLANGE	3	

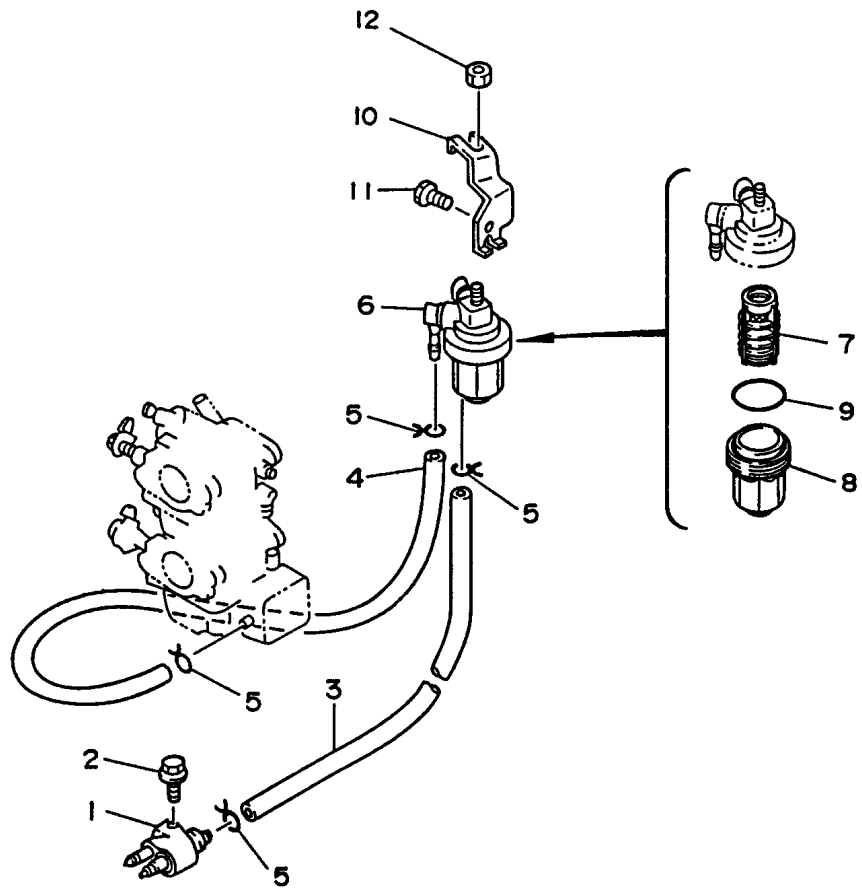
Part Notes

20MSHV 1997 / STARTER

PART NUMBER		NOTE TEXT
92990-06600-00		OEM: This part number is among the Top 100 Most Popular Marine Maintenance Parts as of March 2014.
92990-06600-00		OEM: This part number is among the Top 100 Most Popular Marine Maintenance Parts as of March 2014.
92990-06600-00		OEM: This part number is among the Top 100 Most Popular Marine Maintenance Parts as of March 2014.

©2014 Yamaha Motor Corporation, U.S.A. All rights reserved.

20MSHV 1997 / FUEL



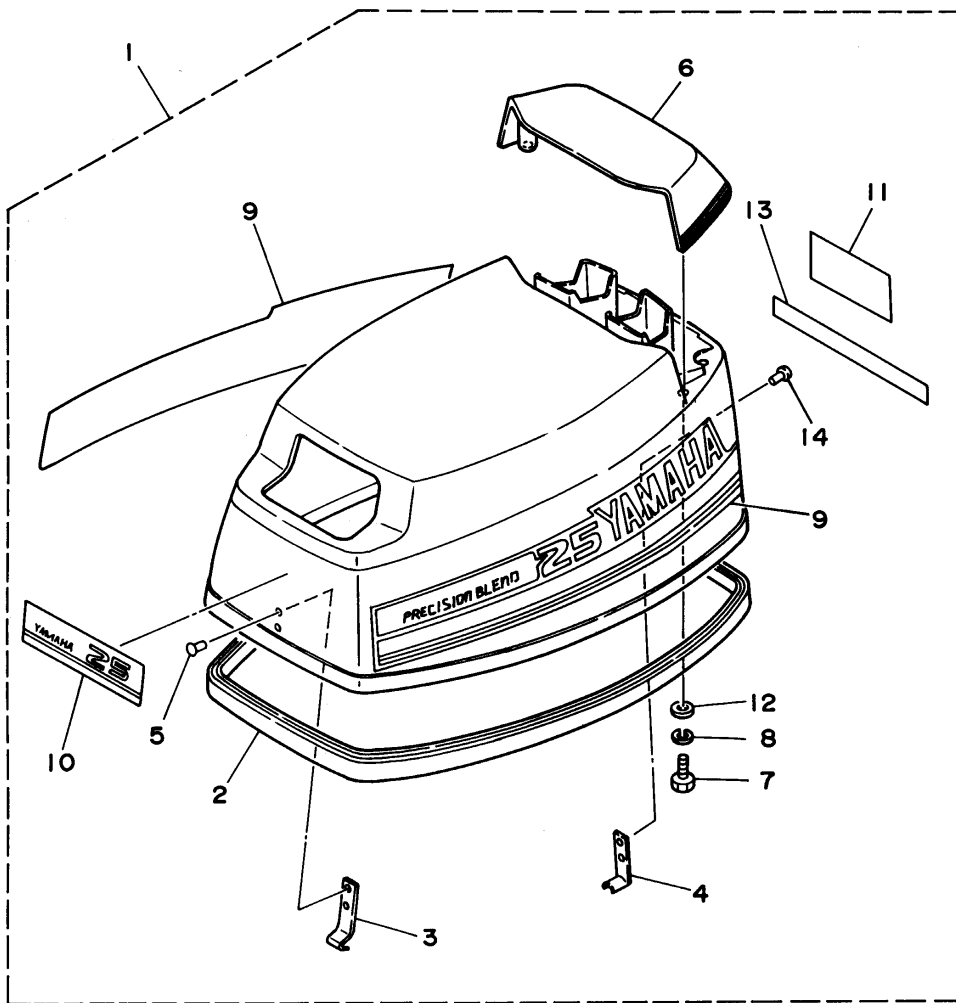
©2014 Yamaha Motor Corporation, U.S.A. All rights reserved.

Part List

20MSHV 1997 / FUEL

REF - NO	PART NUMBER	PART NAME	QUANTITY	REMARKS
1	6G1-24304-02-00	FUEL PIPE JOINT COMP. 1	1	
2	97595-06520-00	BOLT, WITH WASHER	1	
3	6H4-24311-00-00	PIPE, FUEL 1	1	
4	90445-09M25-00	HOSE (L600)	1	
5	90467-08004-00	CLIP	4	
6	61N-24560-00-00	FILTER ASSY	1	
7	61N-24563-00-00	.ELEMENT, FILTER	1	
8	61N-24521-00-00	.CUP, FILTER	1	
9	93210-32738-00	.O-RING	1	
10	6L2-24566-00-00	BRACKET, FILTER	1	
11	97395-06014-00	BOLT	1	
12	95380-08600-00	NUT	1	

20MSHV 1997 / TOP COWLING



©2014 Yamaha Motor Corporation, U.S.A. All rights reserved.


Part List

20MSHV 1997 / TOP COWLING

REF - NO	PART NUMBER	PART NAME	QUANTITY	REMARKS
1	6L2-42610-22-4D	TOP COWLING ASSEMBLY	1	UR 25
1	6L3-42610-12-4D	TOP COWLING ASSEMBLY	1	UR 20
2	6L2-42615-00-00	.SEAL	1	
3	6G1-42651-71-00	.HOOK	1	
4	6L2-42647-00-00	.HOLDER, CLAMP BAND	1	
5	90266-04M00-00	.RIVET	2	
6	6L2-42613-01-4D	.MOLDING, AIR DUCT	1	
7	97095-06016-00	.BOLT	4	
8	92990-06600-00	.WASHER, PLATE	4	
9	6L2-W0070-22-00	.GRAPHIC SET	1	UR 25
9	6L3-W0070-11-00	.GRAPHIC SET	1	UR 20
10	6L3-42677-10-00	.GRAPHIC, FRONT	1	UR 20
10	6L2-42677-10-00	.GRAPHIC, FRONT	1	UR 25
11	6L3-42678-10-00	.GRAPHIC, REAR	1	UR 20
11	6L2-42678-10-00	.GRAPHIC, REAR	1	UR 25
12	90202-05M38-00	.WASHER, PLATE	4	
13	6L2-4267A-10-00	.GRAPHIC, REAR 2	1	
14	90266-04M04-00	.RIVET	2	

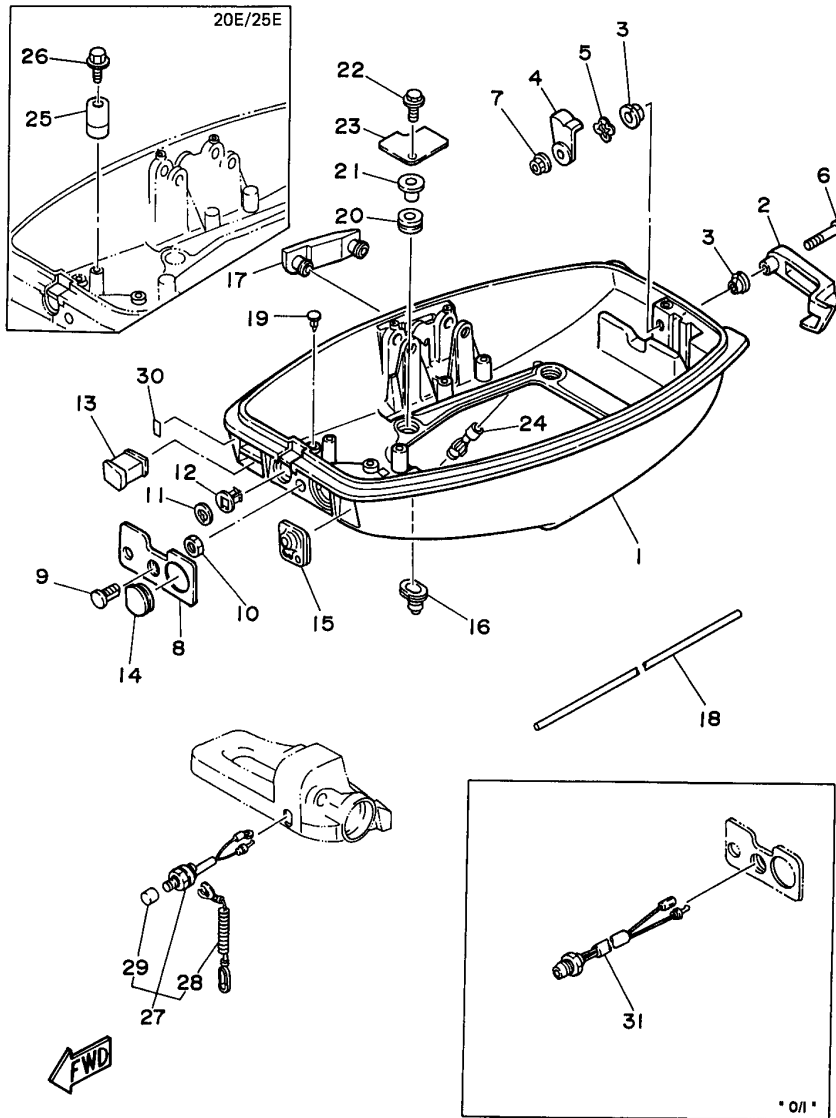
Part Notes

20MSHV 1997 / TOP COWLING

PART NUMBER	NOTE TEXT
92990-06600-00 	OEM: This part number is among the Top 100 Most Popular Marine Maintenance Parts as of March 2014.

©2014 Yamaha Motor Corporation, U.S.A. All rights reserved.

20MSHV 1997 / BOTTOM COWLING



©2014 Yamaha Motor Corporation, U.S.A. All rights reserved.


Part List

20MSHV 1997 / BOTTOM COWLING

REF - NO	PART NUMBER	PART NAME	QUANTITY	REMARKS
1	6L2-42711-03-4D	COWLING, BOTTOM 1	1	
2	6L2-42815-01-4D	LEVER, CLAMP	1	
3	90386-12M45-00	BUSH	2	
4	6L2-42816-00-00	LEVER, CLAMP	1	
5	90206-12052-00	WASHER, WAVE	1	
6	97885-06035-00	SCREW, PAN HEAD	1	
7	95780-06300-00	NUT, FLANGE	1	
8	6L2-42719-B0-00	PANEL, FRONT LOWER	1	25EH
8	6L2-42719-A0-00	PANEL, FRONT LOWER	1	25MH
8	6L2-42719-00-00	PANEL, FRONT LOWER	1	20MH
9	6L2-42724-00-00	GROMMET	1	UR20
10	90170-12M13-00	NUT	1	UR20
11	689-41273-00-00	GROMMET	1	
12	6J8-41274-00-00	GROMMET 2	1	
13	6L2-42725-00-00	GROMMET	1	UR 20MH/ 25MH
13	6L2-42725-40-00	GROMMET	1	UR 25EH
13	6L2-42725-50-00	GROMMET	1	UR 25ER
14	6G1-42724-00-00	GROMMET	1	20MH/ 25MH/25ER
15	6L2-42726-01-00	GROMMET	1	
16	6G1-42727-00-00	GROMMET	1	
17	6L2-42748-01-00	GROMMET	1	25MH/25EH
18	6L2-42716-00-00	RUBBER, SEAL 1	1	
19	90338-05M03-00	PLUG	2	
20	90480-15M31-00	GROMMET	4	
21	90387-06M52-00	COLLAR	4	
22	95895-06020-00	BOLT, FLANGE	4	
23	6L2-42738-01-00	PLATE, FITTING	2	
24	6H3-44391-01-00	NIPPLE, HOSE	1	
25	6E5-82588-00-00	PLATE	2	25E
26	95895-06016-00	BOLT, FLANGE	2	25E
27	689-82575-04-00	ENGINE STOP SWITCH ASSY	1	20/25M(E)H
28	682-82556-00-00	.LANYARD, STOP SWITCH	1	
29	689-8257Y-00-00	.CAP	1	
30	6A1-42792-01-00	MARK (100:1)	1	UR20
31	6J8-85410-00-00	EMERGENCY SIGNAL LIGHT ASSY	1	UR25

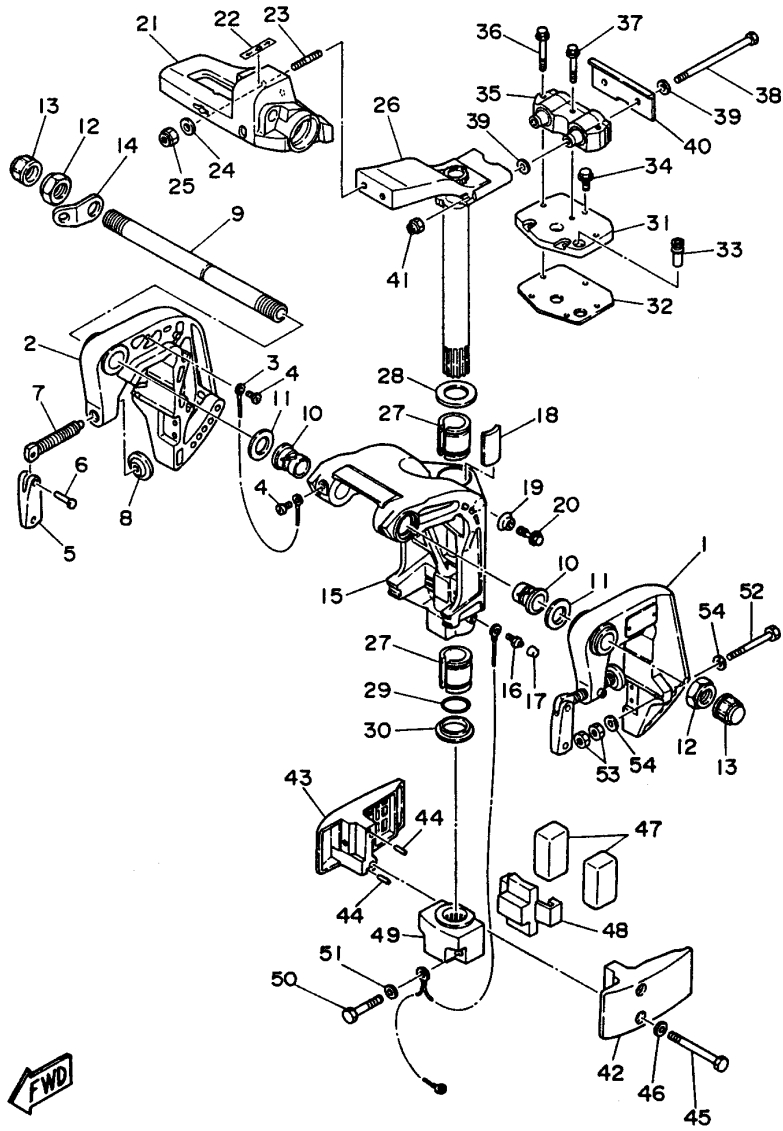
Part Notes

20MSHV 1997 / BOTTOM COWLING

PART NUMBER	NOTE TEXT
682-82556-00-00 	OEM: This part number is among the Top 100 Most Popular Marine Maintenance Parts as of March 2014.

©2014 Yamaha Motor Corporation, U.S.A. All rights reserved.

20MSHV 1997 / BRACKET 1



©2014 Yamaha Motor Corporation, U.S.A. All rights reserved.


Part List

20MSHV 1997 / BRACKET 1

REF - NO	PART NUMBER	PART NAME	QUANTITY	REMARKS
1	6L2-43111-04-4D	BRACKET, CLAMP	1	
2	6L2-43112-05-4D	BRACKET, CLAMP	1	
3	6E5-82148-00-00	WIRE, LEAD 4	1	
4	97885-06008-00	SCREW, PAN HEAD	2	
5	6E0-43118-01-00	HANDLE, TRANSOM CLAMP	2	
6	90243-04M01-00	PIN	2	
7	6L2-43116-00-00	SCREW, TRANSOM CLAMP	2	
8	648-43114-01-00	PAD, TRANSOM CLAMP	2	
9	6J8-43131-01-00	BOLT, CLAMP BRACKET	1	
10	90386-22M67-00	BUSH	2	
11	90201-22M03-00	WASHER, PLATE	2	
12	90185-22M11-00	NUT, SELF-LOCKING	2	
13	6G5-43145-00-00	CAP, CLAMP BRACKET	2	
14	6J8-43113-01-00	PLATE, CLAMP BRACKET	1	
15	6L2-43311-05-4D	BRACKET, SWIVEL 1	1	
16	93700-06M03-00	NIPPLE, GREASE	1	
17	663-45119-00-00	CAP, GREASE NIPPLE	1	AP
18	6H4-42528-00-00	PLATE, FRICTION	1	
19	689-43373-01-00	SEAL, DAMPER	1	
20	90105-06M18-00	BOLT, FLANGE	1	
21	6L2-42121-02-4D	BRACKET	1	
22	6E0-44191-11-00	INDICATOR, SHIFT	1	
23	90116-10M28-00	BOLT, STUD	2	
24	92990-10600-00	WASHER, PLATE	2	
25	90185-10051-00	NUT, SELF-LOCKING	2	
26	6L2-42510-01-4D	STEERING BRACKET ASSY	1	
27	90386-30M75-00	BUSH	2	
28	90201-30M00-00	WASHER, PLATE	1	
29	93210-29375-00	.O-RING	1	
30	90386-30M60-00	BUSH	1	
31	6L2-44512-00-4D	COVER, UPPER MOUNT	1	
32	6L2-45114-A1-00	GASKET, UPPER CASING	1	
33	6L2-44365-00-00	DAMPER, WATER SEAL	1	
34	97595-06520-00	BOLT, WITH WASHER	3	
35	6L2-44514-00-00	MOUNT DAMPER, UPPER SIDE	1	
36	90119-06M04-00	BOLT, WITH WASHER	2	
37	90119-06M05-00	BOLT, WITH WASHER	1	
38	90101-08M09-00	BOLT	2	
39	90201-08M01-00	.WASHER, PLATE	4	
40	6L2-44526-00-00	PLATE	1	
41	95780-08300-00	..NUT, FLANGE	2	
42	6L2-44551-01-4D	HOUSING, LOWER MOUNT RUBBER	1	
43	6L2-44552-01-4D	HOUSING, LOWER MOUNT RUBBER	1	
44	93604-10M03-00	PIN, DOWEL	2	
45	97095-08085-00	BOLT	2	
46	92990-08600-00	..WASHER, PLATE	2	
47	6L2-44555-00-00	MOUNT DAMPER, LOWER SIDE	2	
48	6L2-44557-00-00	MOUNT DAMPER, LOWER FRONT	1	
49	6L2-44553-01-4D	COVER, LOWER MOUNT	1	
50	97095-08045-00	.BOLT	2	
51	92990-08600-00	..WASHER, PLATE	2	
52	97095-08070-00	BOLT	2	AP
53	95380-08600-00	NUT	4	AP
54	92990-08600-00	..WASHER, PLATE	4	AP

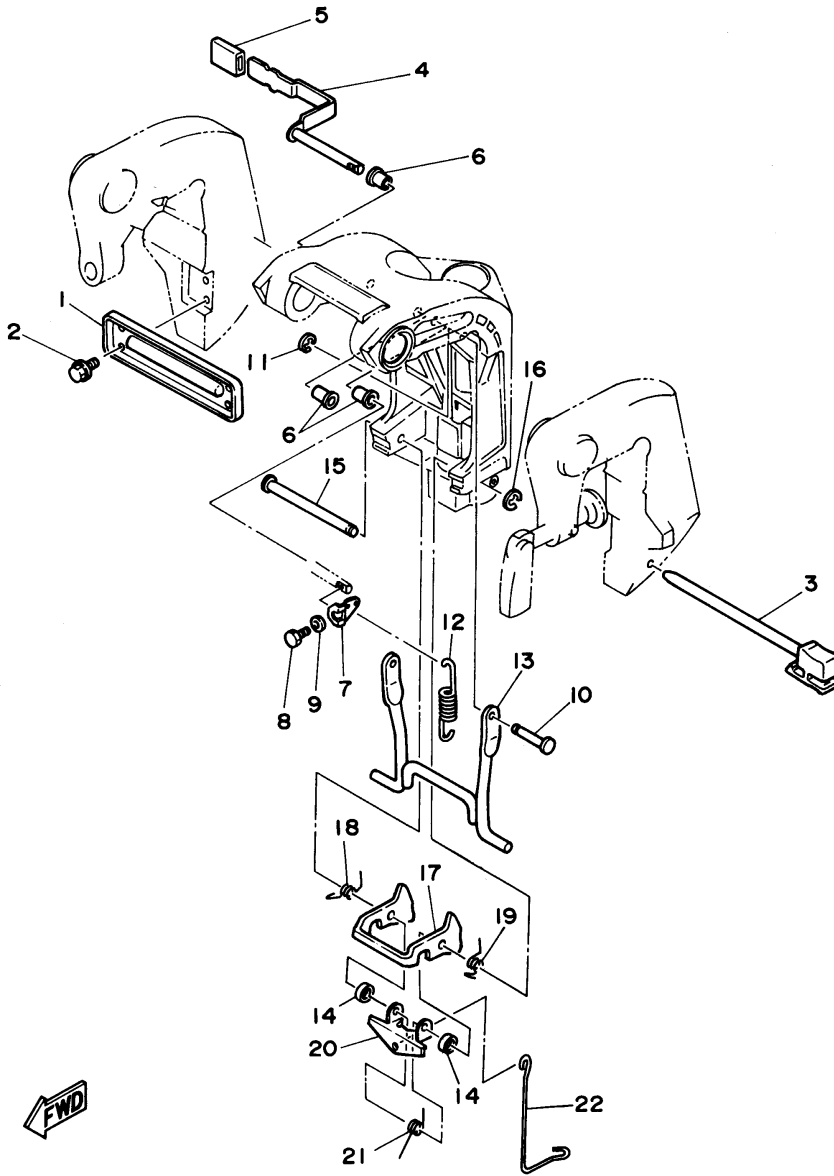
Part Notes

20MSHV 1997 / BRACKET 1

PART NUMBER	NOTE TEXT
92990-10600-00 	OEM: This part number is among the Top 100 Most Popular Marine Maintenance Parts as of March 2014.

©2014 Yamaha Motor Corporation, U.S.A. All rights reserved.

20MSHV 1997 / BRACKET 2



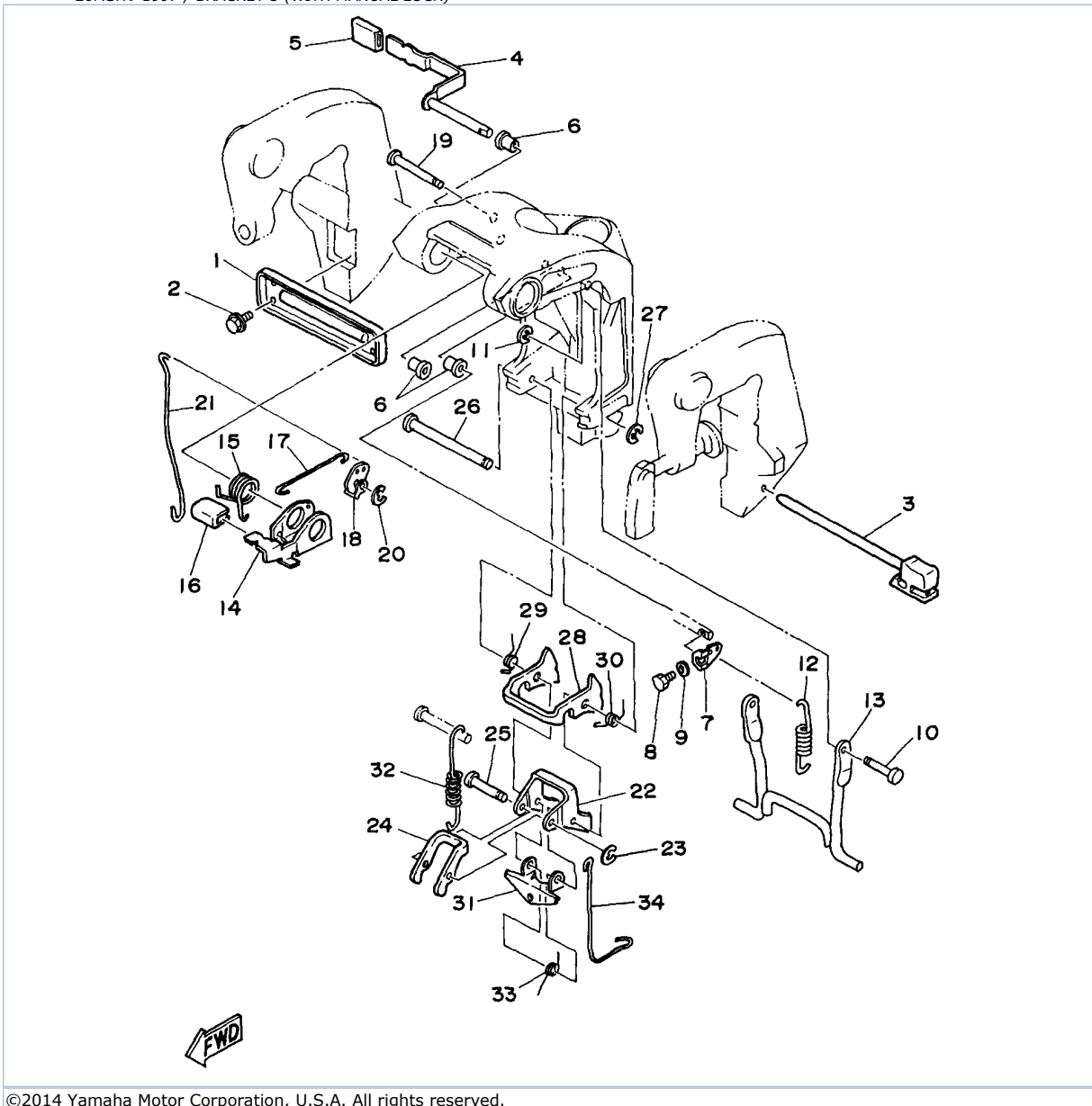
©2014 Yamaha Motor Corporation, U.S.A. All rights reserved.

Part List

20MSHV 1997 / BRACKET 2

REF - NO	PART NUMBER	PART NAME	QUANTITY	REMARKS
1	6L2-43165-01-00	PLATE, TILT LOCK	1	
2	97590-06510-00	BOLT, WITH WASHER	4	
3	6L2-43160-00-00	TILT ROD ASSY	1	
4	6L2-43630-01-00	TILT LEVER ASSY	1	
5	682-43318-01-00	COVER	1	
6	90386-08032-00	BUSH	3	
7	6L2-43682-01-00	LEVER, SHALLOW WATER DRIVE 2	1	
8	97095-05010-00	BOLT	1	
9	92990-05600-00	WASHER, PLATE	1	
10	6L2-43191-01-00	SHAFT, STOPPER	1	
11	99080-05600-00	CIRCLIP	1	
12	90506-20M27-00	SPRING, TENSION	1	
13	6L2-43350-02-00	RECEIVER ASSY	1	
14	6G0-44365-00-00	DAMPER, WATER SEAL	2	
15	6J8-43611-01-00	SHAFT, TILT LOCK	1	
16	99080-05600-00	CIRCLIP	1	
17	6L2-43614-00-00	PLATE, TILT LOCK	1	
18	90508-12M28-00	SPRING, TORSION	1	
19	90508-12M29-00	SPRING, TORSION	1	
20	6L2-43615-00-00	PLATE, TILT LOCK	1	
21	6L2-43657-00-00	SPRING, LOCK	1	
22	6L2-43676-00-00	HOOK	1	

20MSHV 1997 / BRACKET 3 (WITH MANUAL LOCK)



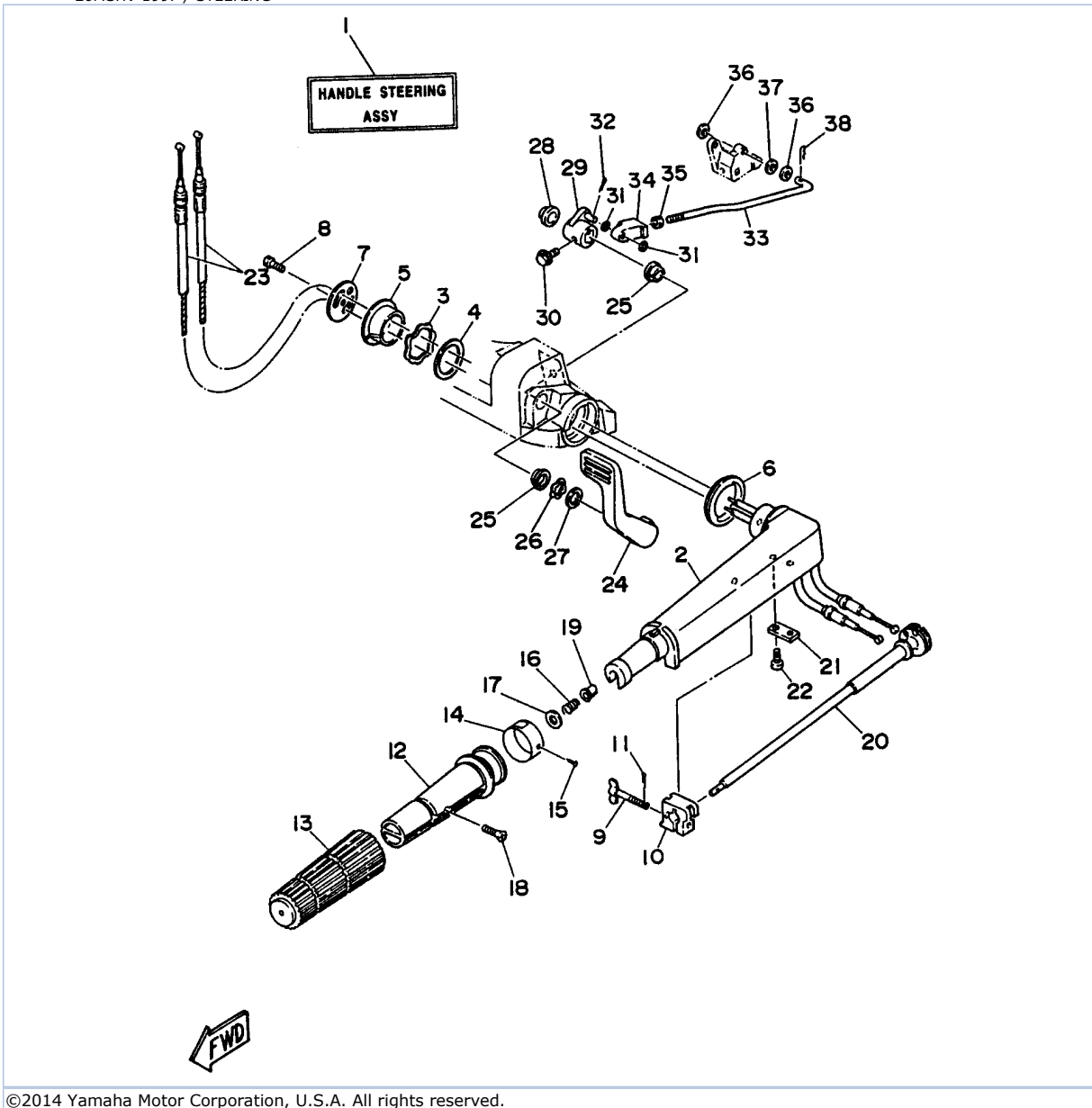
©2014 Yamaha Motor Corporation, U.S.A. All rights reserved.

Part List

20MSHV 1997 / BRACKET 3 (WITH MANUAL LOCK)

REF - NO	PART NUMBER	PART NAME	QUANTITY	REMARKS
1	6L2-43165-01-00	PLATE, TILT LOCK	1	
2	97590-06510-00	BOLT, WITH WASHER	4	
3	6L2-43160-00-00	TILT ROD ASSY	1	
4	6L2-43630-01-00	TILT LEVER ASSY	1	
5	682-43318-01-00	COVER	1	
6	90386-08032-00	BUSH	3	
7	6L2-43682-01-00	LEVER, SHALLOW WATER DRIVE 2	1	
8	97095-05010-00	BOLT	1	
9	92990-05600-00	WASHER, PLATE	1	
10	6L2-43191-01-00	SHAFT, STOPPER	1	
11	99080-05600-00	CIRCLIP	1	
12	90506-20M27-00	SPRING, TENSION	1	
13	6L2-43350-02-00	RECEIVER ASSY	1	
14	6L2-43631-00-00	LEVER, TILT	1	
15	6L2-43188-00-00	SPRING	1	
16	6L2-43633-10-00	COVER, TILT LEVER	1	
17	6L2-43611-00-00	SHAFT, TILT LOCK	1	
18	6L2-43641-00-00	LEVER, TILT	1	
19	6L2-43659-00-00	SHAFT, REVERSE LOCK	1	
20	99080-05600-00	CIRCLIP	1	
21	6L2-43617-00-00	ROD, TILT LOCK	1	
22	6L2-43613-00-00	ARM, TILT LOCK	1	
23	99080-05600-00	CIRCLIP	1	
24	6L2-43624-00-00	PLATE, TILT ROCK	1	
25	6L2-43336-00-00	PIN	1	
26	6J8-43611-01-00	SHAFT, TILT LOCK	1	
27	99080-05600-00	CIRCLIP	1	
28	6L2-43614-00-00	PLATE, TILT LOCK	1	
29	90508-12M28-00	SPRING, TORSION	1	
30	90508-12M29-00	SPRING, TORSION	1	
31	6L2-43615-00-00	PLATE, TILT LOCK	1	
32	90506-23M11-00	SPRING, TENSION	1	
33	6L2-43657-00-00	SPRING, LOCK	1	
34	6L2-43676-00-00	HOOK	1	

20MSHV 1997 / STEERING



©2014 Yamaha Motor Corporation, U.S.A. All rights reserved.


Part List

20MSHV 1997 / STEERING

REF - NO	PART NUMBER	PART NAME	QUANTITY	REMARKS
1	6L2-W0084-10-4D	HANDLE STEERING ASSY	1	
2	6G1-42111-11-4D	HANDLE, STEERING	1	
3	90206-36M21-00	WASHER, WAVE	1	
4	90202-36M55-00	WASHER, PLATE	1	
5	90386-33M96-00	BUSH	1	
6	90386-34M97-00	BUSH	1	
7	6G1-42131-01-00	COVER, HANDLE STEERING	1	
8	97095-06020-00	BOLT	1	
9	6G1-42125-01-00	BOLT, FRICTION ADJUSTING	1	
10	6G1-42126-00-00	FRICTION, STEERING HANDLE GRIP	1	
11	91490-16010-00	PIN. COTTER	1	
12	664-42119-00-00	GRIP, STEERING HANDLE	1	
13	6G1-42177-00-00	RUBBER, HANDLE	1	
14	6L2-42137-00-00	INDICATOR, THROTTLE	1	
15	90269-02M09-00	RIVET	1	
16	90501-23215-00	SPRING, COMPRESSION	1	
17	92990-10600-00	WASHER, PLATE	1	
18	90149-05M13-00	SCREW	1	
19	90386-08032-00	BUSH	1	
20	6G1-42138-01-00	LEVER, THROTTLE	1	
21	6E0-42159-02-00	STAY	1	
22	97885-05012-00	SCREW, PAN HEAD	2	
23	6L2-26301-00-00	THROTTLE CABLE ASSY	2	
24	6L2-44111-01-94	HANDLE, GEAR SHIFT	1	
25	90386-15M73-00	BUSH	2	
26	90206-15M18-00	WASHER, WAVE	1	
27	90202-15M37-00	WASHER, PLATE	1	
28	90386-12M72-00	BUSH	1	
29	6L2-44125-00-94	LEVER, SHIFT ROD	1	
30	97595-06520-00	BOLT, WITH WASHER	1	
31	90202-06009-00	WASHER, PLATE	2	
32	91490-20015-00	PIN. COTTER	1	
33	6L2-44124-00-00	LINK, SHIFT ROD	1	
34	6L2-26363-00-00	END, CABLE	1	
35	95380-06700-00	NUT	1	
36	90202-05088-00	WASHER, PLATE	2	
37	90202-05M38-00	WASHER, PLATE	1	
38	90468-05M03-00	CLIP	1	

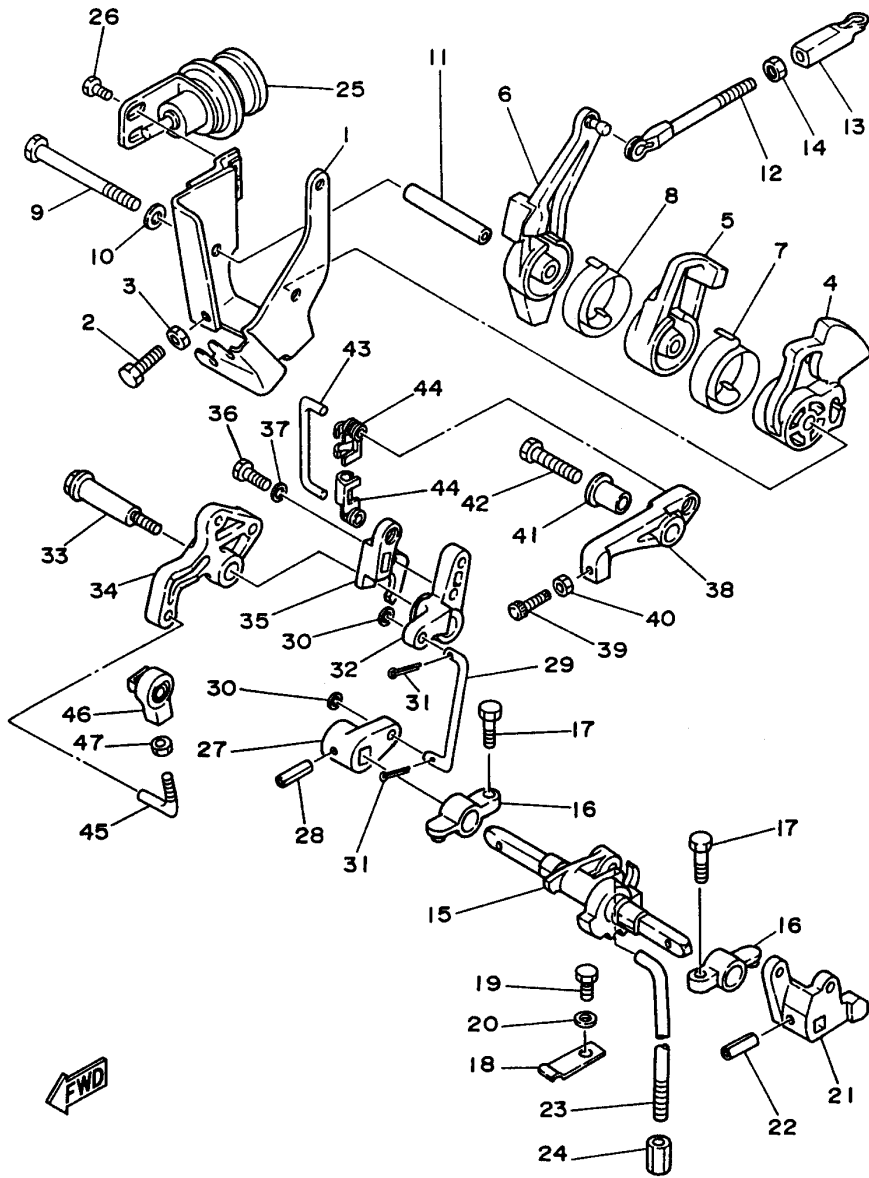
Part Notes

20MSHV 1997 / STEERING

PART NUMBER	NOTE TEXT
92990-10600-00 	OEM: This part number is among the Top 100 Most Popular Marine Maintenance Parts as of March 2014.

©2014 Yamaha Motor Corporation, U.S.A. All rights reserved.

20MSHV 1997 / CONTROL



©2014 Yamaha Motor Corporation, U.S.A. All rights reserved.




Part List

20MSHV 1997 / CONTROL

REF - NO	PART NUMBER	PART NAME	QUANTITY	REMARKS
1	6L2-14497-00-00	STAY, THROTTLE WIRE	1	
2	97095-06020-00	BOLT	1	
3	95380-06700-00	NUT	1	
4	6L2-41213-00-00	CAM, ACCEL.	1	
5	6L2-41283-00-00	LEVER, FREE ACCEL.	1	
6	6L2-41631-00-00	LEVER, MAGNETO CONTROL	1	
7	6J8-42167-00-00	SPRING 1	1	
8	6L2-42167-00-00	SPRING 1	1	
9	97395-06075-00	BOLT	1	
10	92990-06600-00	WASHER, PLATE	1	
11	90387-06M18-00	COLLAR	1	
12	689-42169-01-00	JOINT	1	
13	6H1-41237-00-00	JOINT, LINK	1	
14	95380-05600-00	NUT	1	
15	6L2-44121-00-00	LEVER, SHIFT ROD	1	
16	6G1-41662-01-94	BRACKET 2	2	
17	97595-06520-00	BOLT, WITH WASHER	2	
18	6J8-44116-00-00	SPRING	1	
19	97095-06012-00	BOLT	1	
20	92990-06600-00	WASHER, PLATE	1	
21	6L2-44123-00-00	ARM, SHIFT ROD	1	
22	91690-30318-00	PIN, SPRING	1	
23	6L2-44143-00-00	ROD, SHIFT	1	
24	90170-06015-00	NUT	1	
25	6L2-14368-00-00	DIAPHRAGM ASSY 1	1	
26	97095-06008-00	BOLT	2	
27	6L2-44122-00-00	BUSHING, SHIFT ROD LEVER	1	
28	91690-30318-00	PIN, SPRING	1	
29	6L2-42192-00-00	ROD 2	1	
30	90202-05088-00	WASHER, PLATE	2	
31	91490-20015-00	PIN. COTTER	2	
32	6L2-44141-01-00	LINK, SHIFT ROD	1	
33	90109-06M28-00	BOLT	1	
34	6L2-41212-00-00	ARM, ACCEL.	1	
35	6L2-44141-10-94	LINK, SHIFT ROD	1	
36	97313-05016-00	BOLT, HEXAGON	1	
37	92990-05600-00	WASHER, PLATE	1	
38	6L2-44114-10-00	STOPPER	1	
39	90149-06M09-00	SCREW	1	
40	95380-06700-00	NUT	1	
41	90387-06M15-00	COLLAR	1	
42	97095-06030-00	BOLT	1	
43	6L2-42192-10-00	ROD 2	1	
44	6F5-41237-00-00	JOINT, LINK	2	
45	6L2-41238-00-00	JOINT, LINK	1	
46	6L2-41237-00-00	JOINT, LINK	1	
47	95380-05700-00	NUT	1	

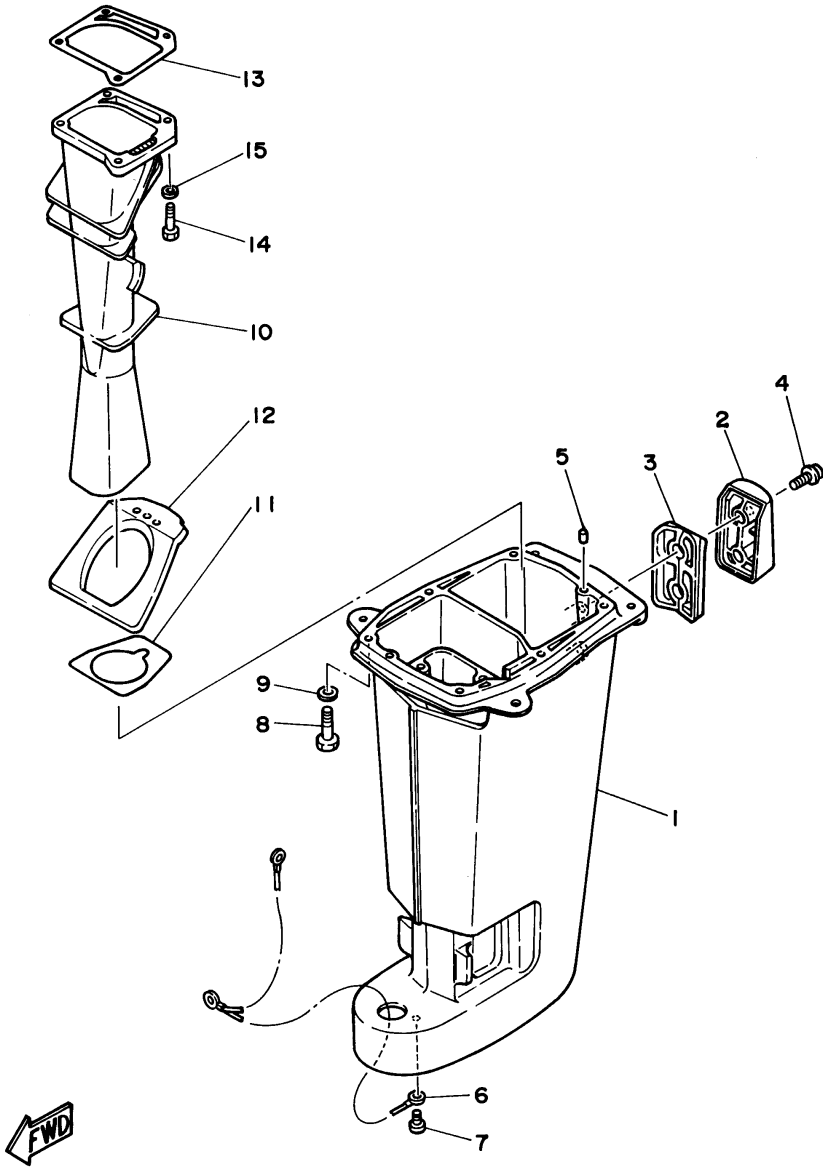
Part Notes

20MSHV 1997 / CONTROL

PART NUMBER		NOTE TEXT
92990-06600-00		OEM: This part number is among the Top 100 Most Popular Marine Maintenance Parts as of March 2014.
6H1-41237-00-00		OEM: This part number is among the Top 100 Most Popular Marine Maintenance Parts as of March 2014.
92990-06600-00		OEM: This part number is among the Top 100 Most Popular Marine Maintenance Parts as of March 2014.

©2014 Yamaha Motor Corporation, U.S.A. All rights reserved.

20MSHV 1997 / UPPER CASING



©2014 Yamaha Motor Corporation, U.S.A. All rights reserved.


Part List

20MSHV 1997 / UPPER CASING

REF - NO	PART NUMBER	PART NAME	QUANTITY	REMARKS
1	6L2-45111-02-4D	CASING, UPPER	1	UR SHORT
1	6L2-45111-12-4D	CASING, UPPER	1	UR LONG
2	6L2-45151-01-4D	COVER, UPPER CASING	1	
3	6L2-45115-00-00	GASKET, UPPER CASING	1	
4	90159-06M11-00	SCREW, WITH WASHER	2	
5	93604-10M03-00	PIN, DOWEL	2	
6	6L2-82127-00-00	WIRE, LEAD 2	1	
7	90157-06M06-00	SCREW, PAN HEAD	1	
8	97095-08030-00	BOLT	6	
9	92990-08600-00	..WASHER, PLATE	6	
10	6L3-41131-00-5B	MANIFOLD, EXT. 1	1	UR 20
10	6L2-41131-00-5B	MANIFOLD, EXT. 1	1	UR 25
11	6L2-41134-00-00	.GASKET, EXHAUST MANIFOLD	1	
12	6L2-45123-01-00	GASKET, MUFFLER	1	
13	6L2-41133-A1-00	.GASKET, EXHAUST MANIFOLD 1	1	
14	97095-06020-00	BOLT	4	
15	92990-06600-00	WASHER, PLATE	4	

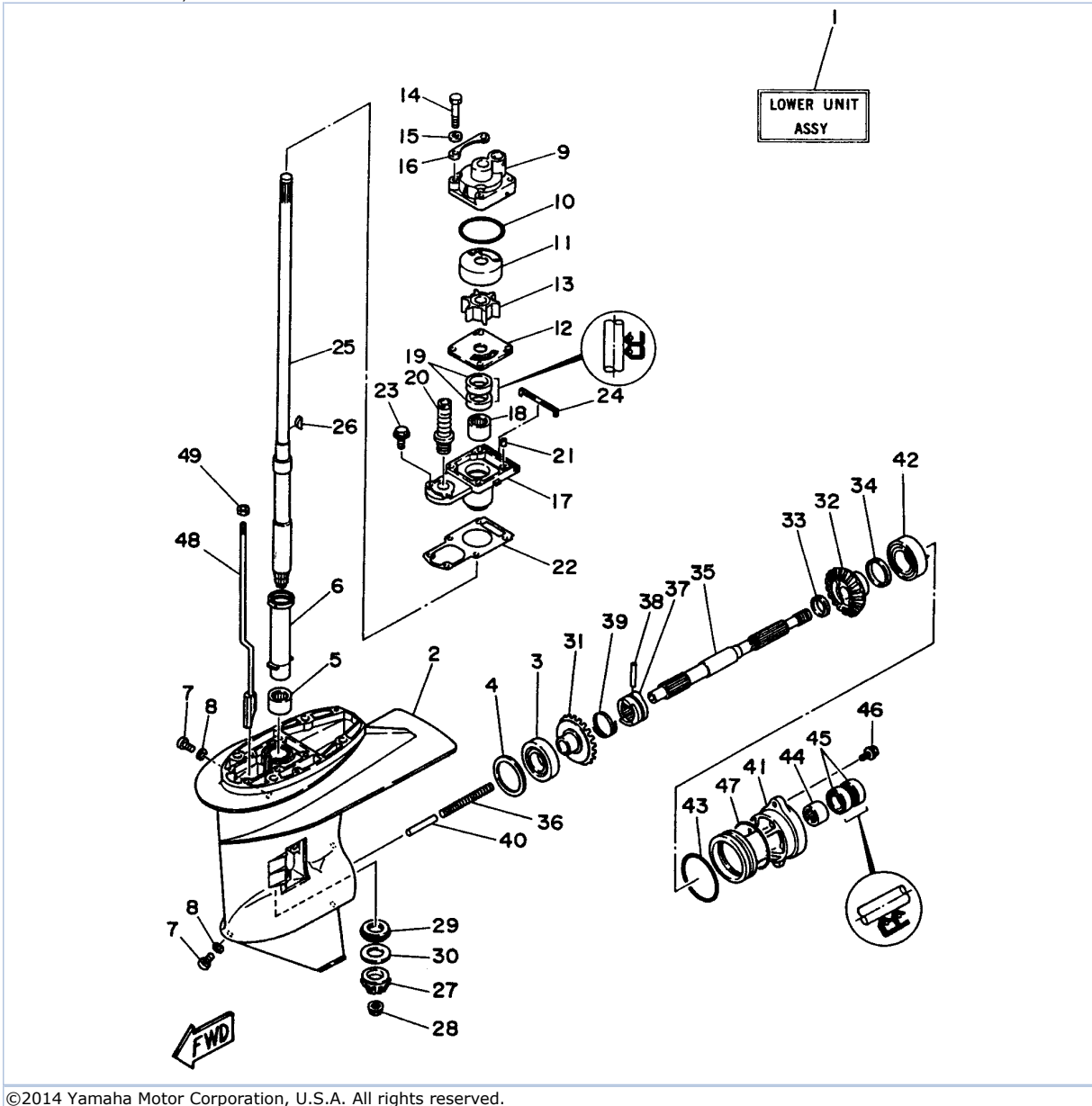
Part Notes

20MSHV 1997 / UPPER CASING

PART NUMBER	NOTE TEXT
92990-06600-00 	OEM: This part number is among the Top 100 Most Popular Marine Maintenance Parts as of March 2014.

©2014 Yamaha Motor Corporation, U.S.A. All rights reserved.

20MSHV 1997 / LOWER CASING DRIVE 1



©2014 Yamaha Motor Corporation, U.S.A. All rights reserved.



Part List

20MSHV 1997 / LOWER CASING DRIVE 1

REF - NO	PART NUMBER	PART NAME	QUANTITY	REMARKS
1	6L2-45300-02-4D	LOWER UNIT ASSY	1	UR SHORT
1	6L2-45300-12-4D	LOWER UNIT ASSY	1	UR LONG
2	6L2-45311-02-4D	CASING, LOWER	1	
3	93332-00005-00	BEARING	1	
4	6L2-45567-00-14	SHIM (T:1.4MM)	1	UR
4	6L2-45567-00-10	SHIM (T:1.0MM)	1	UR
4	6L2-45567-00-11	SHIM (T:1.1MM)	1	UR
4	6L2-45567-00-13	SHIM (T:1.3MM)	1	UR
4	6L2-45567-00-12	SHIM (T:1.2MM)	1	UR
5	93315-220V9-00	BEARING	1	
6	6L2-45536-00-00	SLEEVE, DRIVE SHAFT	1	
7	90340-08M04-00	PLUG, STRAIGHT SCREW	2	
8	90430-08020-00	.GASKET	2	
9	6L2-44311-00-00	HOUSING, WATER PUMP	1	
10	93210-45161-00	.O-RING	1	
11	6L2-44322-00-00	.INSERT, CARTRIDGE	1	
12	6L2-44323-00-00	.OUTER PLATE, CARTRIDGE	1	
13	6L2-44352-00-00	.IMPELLER	1	
14	97095-06040-00	.BOLT	4	
15	92990-06600-00	WASHER, PLATE	4	
16	6L2-44328-00-00	PLATE	2	
17	6L2-45331-00-5B	HOUSING, BEARING	1	
18	93315-22004-00	BEARING	1	
19	93101-20048-00	.OIL SEAL	2	
20	6L2-44147-00-00	BOOT, SHIFT ROD	1	
21	93604-10M03-00	PIN, DOWEL	2	
22	6L2-45315-A0-00	.PACKING, LOWER CASING	1	
23	97595-06520-00	BOLT, WITH WASHER	2	
24	6L2-45375-00-00	DAMPER, SEAL	1	
25	6L2-45510-00-00	DRIVE SHAFT ASSY	1	UR SHORT
25	6L2-45510-10-00	DRIVE SHAFT ASSY	1	UR LONG
26	90280-03024-00	.KEY, WOODRUFF	1	
27	6L2-45551-01-00	PINION (13T)	1	
28	90179-10M14-00	NUT	1	
29	93341-320U0-00	BEARING	1	
30	6L2-45587-00-16	SHIM (T:1.6MM)	1	UR
30	6L2-45587-00-15	SHIM (T:1.5MM)	1	UR
31	6L2-45560-00-00	GEAR	1	
32	6L2-45571-00-00	GEAR 2 (27T)	1	
33	90201-20417-00	WASHER, PLATE	1	
34	6L2-45577-00-11	SHIM (T:1.1MM)	1	UR
34	6L2-45577-00-12	SHIM (T:1.2MM)	1	UR
34	6L2-45577-00-13	SHIM (T:1.3MM)	1	UR
34	6L2-45577-00-10	SHIM (T:1.0MM)	1	UR
35	6L2-45611-00-00	SHAFT, PROPELLER	1	
36	90501-10065-00	SPRING, COMPRESSION	1	
37	6L2-45631-00-00	CLUTCH, DOG	1	
38	90250-05010-00	PIN, STRAIGHT	1	
39	648-45633-00-00	RING, CROSS PIN	1	
40	648-45635-00-00	PLUNGER, SHIFT	1	
41	6L2-45361-03-4D	CAP, LOWER CASING	1	
42	93306-00612-00	BEARING	1	
43	93210-60MA3-00	.O-RING	1	
44	93315-22004-00	BEARING	1	
45	93101-20M07-00	.OIL SEAL	2	
46	97595-06520-00	BOLT, WITH WASHER	2	
47	93210-60M99-00	.O-RING	1	
48	6L2-44150-10-00	SHIFT CAM ASSY	1	UR LONG
48	6L2-44150-00-00	SHIFT CAM ASSY	1	UR SHORT
49	95380-06600-00	NUT, HEXAGON	1	

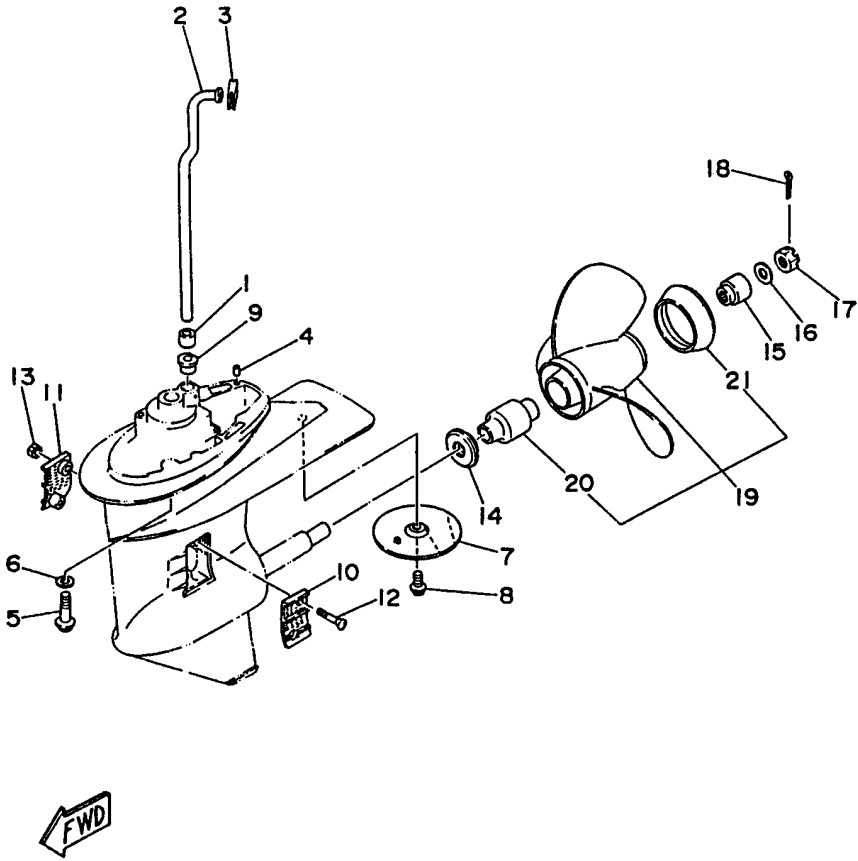
Part Notes

20MSHV 1997 / LOWER CASING DRIVE 1

PART NUMBER		NOTE TEXT
90430-08020-00		OEM: This part number is among the Top 100 Most Popular Marine Maintenance Parts as of March 2014.
92990-06600-00		OEM: This part number is among the Top 100 Most Popular Marine Maintenance Parts as of March 2014.

©2014 Yamaha Motor Corporation, U.S.A. All rights reserved.

20MSHV 1997 / LOWER CASING DRIVE 2



©2014 Yamaha Motor Corporation, U.S.A. All rights reserved.


Part List

20MSHV 1997 / LOWER CASING DRIVE 2

REF - NO	PART NUMBER	PART NAME	QUANTITY	REMARKS
1	6L2-44368-00-00	RUBBER, WATER SEAL 4	1	
2	6L2-44361-10-00	TUBE, WATER	1	UR LONG
2	6L2-44361-00-00	TUBE, WATER	1	UR SHORT
3	6L2-44366-00-00	DAMPER, WATER SEAL	1	
4	93604-10M03-00	PIN, DOWEL	2	
5	90105-10M12-00	BOLT, FLANGE	4	
6	92990-10600-00	WASHER, PLATE	4	
7	664-45371-01-00	TAB-TRIM	1	
8	90105-08M02-00	BOLT, FLANGE	1	
9	6L2-44367-00-00	.DAMPER, WATER SEAL 3	1	
10	6L2-45214-00-00	COVER, WATER INLET 1	1	
11	6L2-45215-00-00	COVER, WATER INLET 2	1	
12	98780-05530-00	SCREW, FLAT HEAD	2	
13	90185-05904-00	NUT, SELF-LOCKING	2	
14	6L2-45987-01-00	SPACER 1	1	
15	689-45997-00-00	SPACER 2	1	
16	92990-14200-00	WASHER, PLAIN	1	
17	90171-14013-00	NUT, CASTLE	1	
18	91490-30030-00	PIN, COTTER	1	
19	664-45941-01-EL	PROPELLER (3X9-7/8"X9"-F)	1	UR ALUM
19	664-45972-00-98	PROPELLER (3X9-1/8"X12"-F)	1	UR STAINLESS STEEL
19	664-45970-00-98	PROPELLER (3X9-1/8"X13"-F)	1	UR STAINLESS STEEL
19	664-45943-01-EL	PROPELLER (3X9-7/8"X8"-F)	1	UR ALUM
19	6J8-W4591-00-EL	PROPELLER (3X10-5/8X8-1/4-F)	1	UR DUAL THRUST
19	664-45952-00-EL	PROPELLER (3X9-7/8"X14"-F)	1	UR ALUM
19	664-45949-02-EL	PROPELLER (3X9-7/8"X13"-F)	1	UR ALUM
19	664-45947-01-EL	PROPELLER (3X9-7/8"X11-1/4"-F)	1	UR ALUM
19	664-45945-00-EL	PROPELLER (3X9-7/8"X10-1/2"-F)	1	UR ALUM
20	664-45981-01-00	.DAMPER RUBBER PROP	1	
21	6J8-45986-10-98	.RING, DEFLECTOR	1	

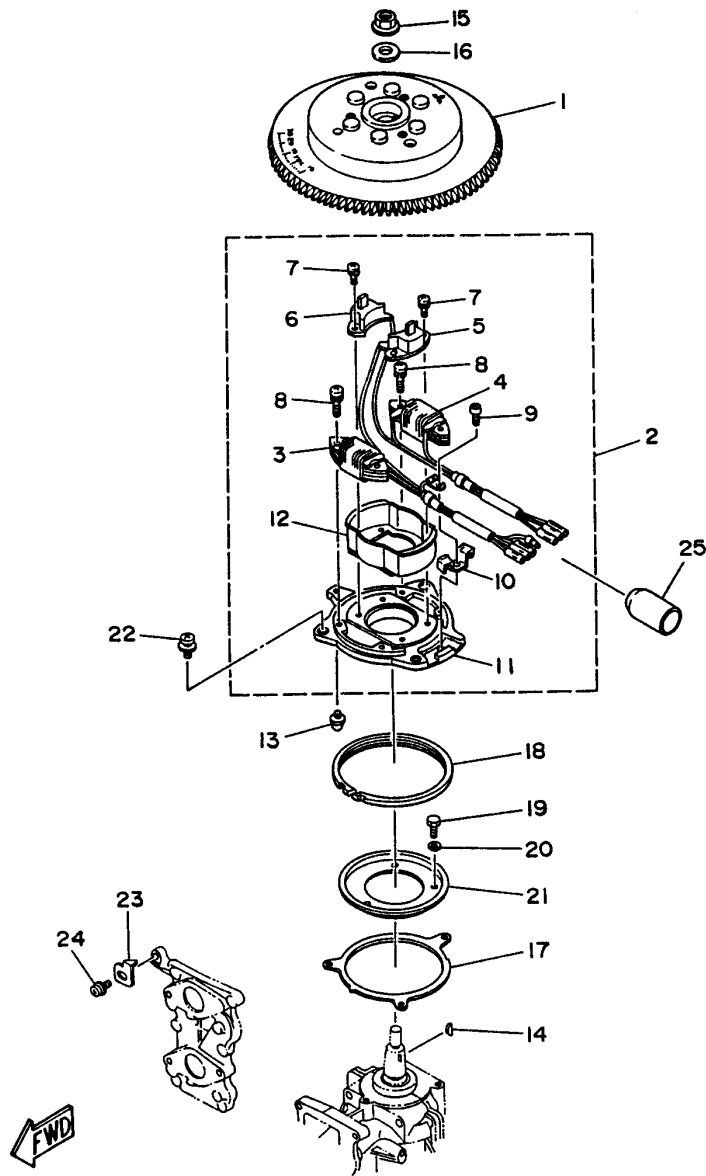
Part Notes

20MSHV 1997 / LOWER CASING DRIVE 2

PART NUMBER	NOTE TEXT
92990-10600-00 	OEM: This part number is among the Top 100 Most Popular Marine Maintenance Parts as of March 2014.

©2014 Yamaha Motor Corporation, U.S.A. All rights reserved.

20MSHV 1997 / MAGNETO



©2014 Yamaha Motor Corporation, U.S.A. All rights reserved.


Part List

20MSHV 1997 / MAGNETO

REF - NO	PART NUMBER	PART NAME	QUANTITY	REMARKS
1	6L2-85550-10-00	ROTOR ASSY	1	UR 25E
1	6L2-85550-00-00	ROTOR ASSY	1	UR 20M/ 25M
2	6L2-85560-10-00	BASE ASSY	1	
3	6L2-85520-10-00	.COIL, CHARGE	1	
4	6L2-85533-10-00	.COIL, LIGHTING	1	
5	6L2-85580-10-00	.COIL, PULSER	1	
6	6L2-85580-20-00	.COIL, PULSER	1	
7	98517-04012-00	.SCREW, PAN HEAD	4	
8	97607-06125-00	.SCREW, WITH WASHER	4	
9	98507-04006-00	.SCREW, PAN HEAD	1	
10	6E9-81328-70-00	.CLAMP	1	
11	6L2-85561-10-00	.BASE, MAGNETO	1	
12	61N-85537-00-00	.COVER	1	
13	663-85518-00-00	JOINT, BALL	1	
14	90280-16053-00	KEY, WOODRUFF	1	
15	90179-12M04-00	NUT	1	
16	90201-13M42-00	WASHER, PLATE	1	
17	6G1-41611-00-00	RETAINER, MAGNETO BASE	1	
18	695-41613-00-00	PLATE, BASE FRICTION	1	
19	97095-06012-00	BOLT	3	
20	92990-06600-00	WASHER, PLATE	3	
21	6G1-41612-00-00	RETAINER, MAGNETO BASE	1	
22	97985-05210-00	SCREW, WITH WASHER	3	
23	6L2-81332-00-00	PLATE, TIMING	1	
24	97985-05210-00	SCREW, WITH WASHER	1	
25	6L2-82599-01-00	COVER, CONNECTER	1	

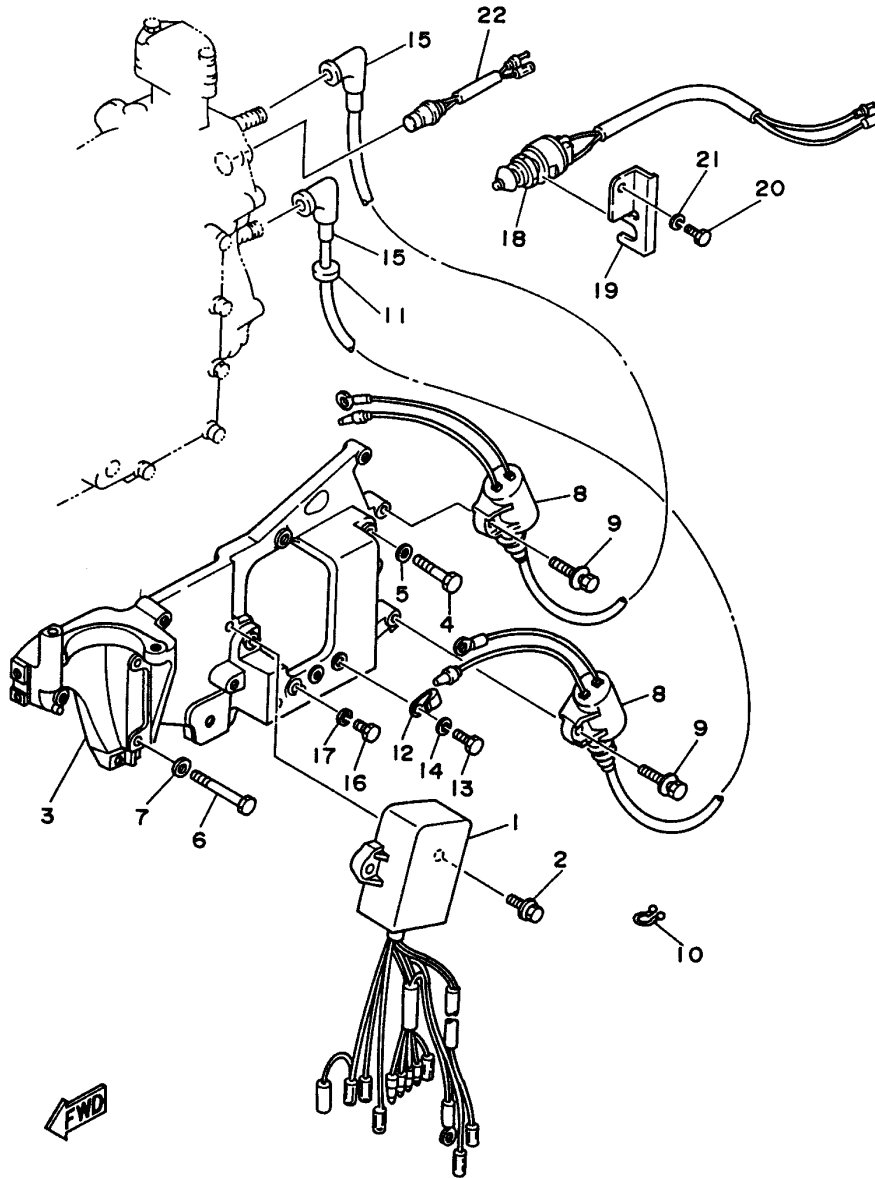
Part Notes

20MSHV 1997 / MAGNETO

PART NUMBER	NOTE TEXT
92990-06600-00 	OEM: This part number is among the Top 100 Most Popular Marine Maintenance Parts as of March 2014.

©2014 Yamaha Motor Corporation, U.S.A. All rights reserved.

20MSHV 1997 / ELECTRICAL 1



©2014 Yamaha Motor Corporation, U.S.A. All rights reserved.



Part List

20MSHV 1997 / ELECTRICAL 1

REF - NO	PART NUMBER	PART NAME	QUANTITY	REMARKS
1	6L2-85540-20-00	C.D.I. UNIT ASSEMBLY	1	
2	97595-06520-00	BOLT, WITH WASHER	2	
3	6L2-85542-02-94	BRACKET	1	
4	97095-06030-00	BOLT	3	
5	92990-06600-00	WASHER, PLATE	3	
6	90101-06M16-00	BOLT	2	
7	92990-06600-00	WASHER, PLATE	2	
8	61N-85570-10-00	IGNITION COIL ASSEMBLY	2	
9	97595-06420-00	BOLT, WITH WASHER	2	
10	90464-05M16-00	CLAMP	1	UR
11	90480-25161-00	GROMMET	1	
12	90465-06M28-00	.CLAMP	1	UR
13	97095-06012-00	BOLT	1	
14	92995-06100-00	WASHER, SPRING	1	
15	663-82370-01-00	PLUG CAP ASSY	2	
16	97095-06012-00	BOLT	2	
17	92995-06100-00	WASHER, SPRING	2	
18	6H3-82540-00-00	NEUTRAL SWITCH ASSY	1	25EH
19	6L2-82554-00-00	STAY, NEUTRAL SWITCH	1	25EH
20	97095-06012-00	BOLT	1	25EH
21	92995-06100-00	WASHER, SPRING	1	25EH
22	689-82560-00-00	THERMO SWITCH ASSEMBLY	1	UR

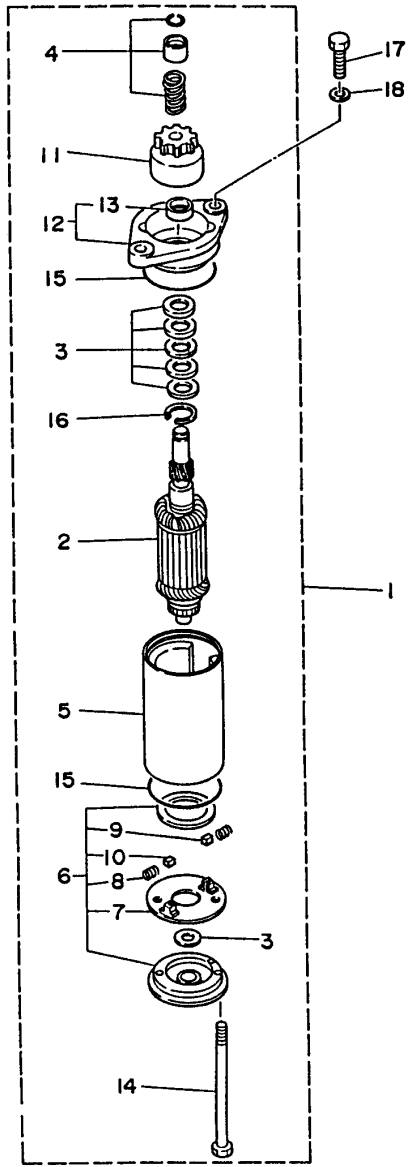
Part Notes

20MSHV 1997 / ELECTRICAL 1

PART NUMBER	NOTE TEXT
92990-06600-00 	OEM: This part number is among the Top 100 Most Popular Marine Maintenance Parts as of March 2014.
92990-06600-00 	OEM: This part number is among the Top 100 Most Popular Marine Maintenance Parts as of March 2014.

©2014 Yamaha Motor Corporation, U.S.A. All rights reserved.

20MSHV 1997 / ALTERNATE 1 (25E)



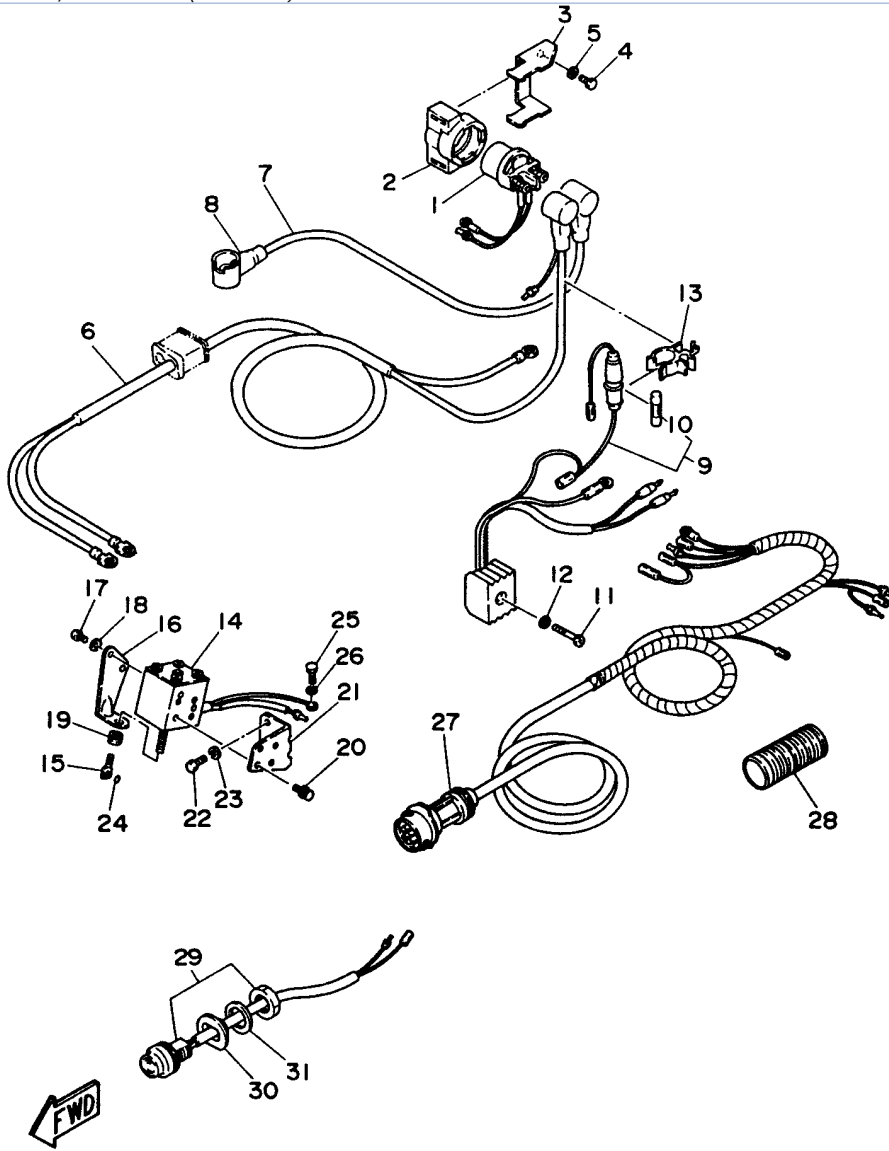
©2014 Yamaha Motor Corporation, U.S.A. All rights reserved.

Part List

20MSHV 1997 / ALTERNATE 1 (25E)

REF - NO	PART NUMBER	PART NAME	QUANTITY	REMARKS
1	6L2-81800-11-00	STARTING MOTOR ASSEMBLY	1	
2	6L2-81850-11-00	.ARMATURE ASSEMBLY	1	
3	682-81809-10-00	.WASHER KIT	1	
4	6L2-81833-10-00	.RING, STOP	1	
5	682-81810-11-00	.STATOR ASSY	1	
6	6L2-81820-10-00	.REAR BRACKET ASSEMBLY	1	
7	6L2-81840-10-00	..BRUSH HOLDER ASSEMBLY	1	
8	682-81813-10-00	..SPRING, BRUSH	2	
9	6L2-81811-10-00	..BRUSH 1	1	
10	6L2-81812-10-00	..BRUSH 2	1	
11	682-81832-10-00	.PINION ASSY	1	
12	682-81830-10-00	.FRONT COVER ASSY	1	
13	682-81831-00-00	..METAL, FRONT	1	
14	682-81826-10-00	.BOLT	2	
15	682-81847-10-00	.O-RING	2	
16	682-81834-10-00	.RING	1	
17	97013-08025-00	BOLT	2	
18	92990-08600-00	..WASHER, PLATE	2	

20MSHV 1997 / ALTERNATE 2 (25EH 25ER)



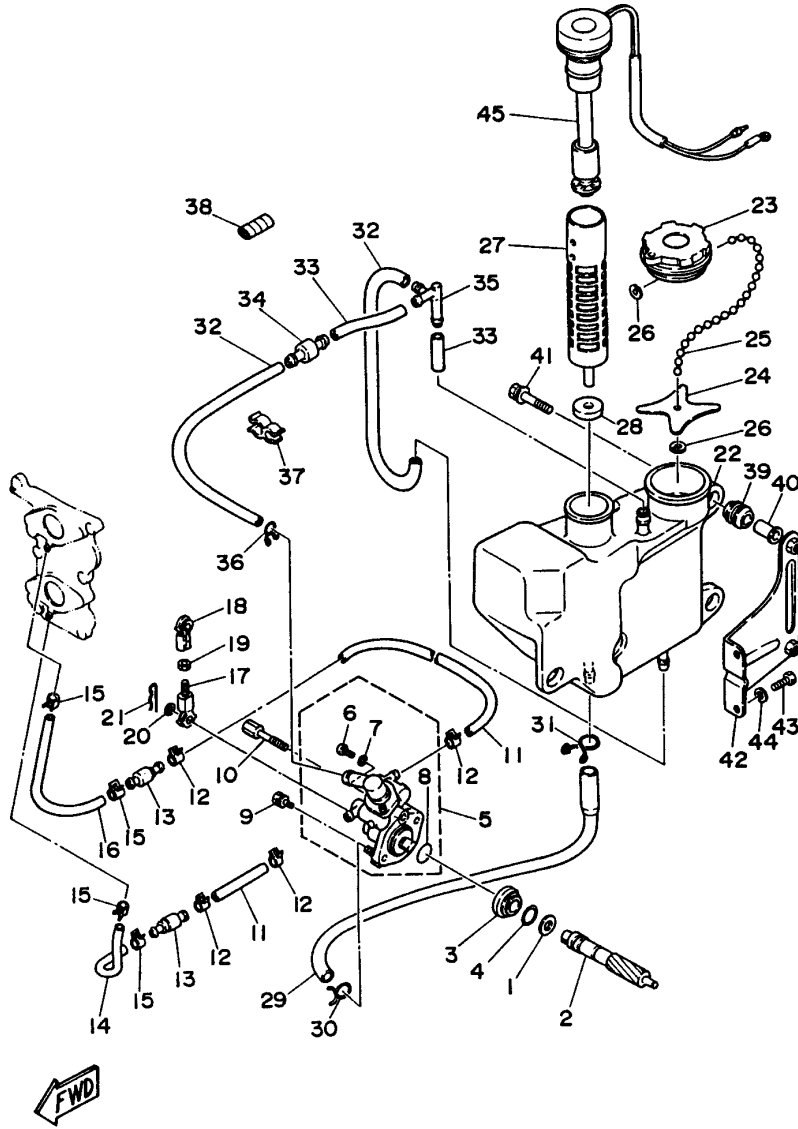
©2014 Yamaha Motor Corporation, U.S.A. All rights reserved.

Part List

20MSHV 1997 / ALTERNATE 2 (25EH 25ER)

REF - NO	PART NUMBER	PART NAME	QUANTITY	REMARKS
1	6G1-81941-10-00	STARTER RELAY ASSY	1	
2	6G1-81952-00-00	HOLDER, RELAY	1	
3	6L2-81945-00-00	PLATE, SWITCH FITTING	1	
4	97095-06012-00	BOLT	1	
5	92995-06100-00	WASHER, SPRING	1	
6	6G1-82105-01-00	BATTERY CABLE	1	
7	6G1-82117-00-00	WIRE, LEAD	1	
8	6G1-82119-01-00	COVER, LEAD WIRE	1	
9	6G1-81970-61-00	RECTIFIER ASSY	1	
10	6G1-82151-00-00	.FUSE (10A)	1	
11	98580-05525-00	SCREW, PAN HEAD	1	
12	92990-05600-00	WASHER, PLATE	1	
13	6G5-82152-00-00	HOLDER, FUSE	1	
14	6L2-86111-00-00	COIL, SOLENOID	1	25ER
15	682-86117-00-00	HOOK, WIRE PULL	1	25ER
16	6L2-86115-00-00	HOLDER, SOLENOID	1	25ER
17	97980-05108-00	SCREW, WITH WASHER	2	25ER
18	92990-05600-00	WASHER, PLATE	2	25ER
19	90480-10155-00	GROMMET	1	25ER
20	97980-04208-00	SCREW, WITH WASHER	4	25ER
21	6L2-86112-00-00	STAY, SOLENOID	1	25ER
22	97095-06012-00	BOLT	2	25ER
23	92995-06100-00	WASHER, SPRING	2	25ER
24	93210-03261-00	O-RING	1	25ER
25	97095-06012-00	BOLT	1	25ER
26	92995-06100-00	WASHER, SPRING	1	25ER
27	6L2-82590-00-00	WIRE HARNESS ASSY	1	25ER
28	6K3-83557-00-00	TUBE	1	
29	689-81870-00-00	STARTING SWITCH ASSY	1	25EH
30	6L2-84387-00-00	HOLDER	1	25EH
31	90202-17M35-00	WASHER, PLATE	1	25EH

20MSHV 1997 / ALTERNATE 3 (OIL INJECTION)



©2014 Yamaha Motor Corporation, U.S.A. All rights reserved.



Part List

20MSHV 1997 / ALTERNATE 3 (OIL INJECTION)

REF - NO	PART NUMBER	PART NAME	QUANTITY	REMARKS
1	90201-08M93-00	WASHER, PLATE	1	
2	6L2-11537-00-00	GEAR, DRIVEN	1	
3	6J8-13117-00-00	COLLAR, DISTANCE	1	
4	93210-13595-00	O-RING	1	
5	6L2-13200-00-00	OIL INJECTION PUMP ASSEMBLY	1	
6	6L2-13471-00-00	.PLUG, DRAIN	1	
7	1YU-13187-00-00	.GASKET, BREATHER BOLT	1	
8	93210-19M82-00	.O-RING	1	
9	97513-05218-00	BOLT, WITH WASHER	1	
10	90109-05M33-00	BOLT	1	
11	90445-07M32-00	HOSE (L120)	2	
12	90468-07M02-00	CLIP	4	
13	6E9-13183-70-00	VALVE, CHECK	2	
14	90445-07M04-00	HOSE (L50)	1	
15	90468-07M02-00	CLIP	4	
16	90445-07M87-00	HOSE (L110)	1	
17	682-41237-50-00	JOINT, LINK	1	
18	6H1-41237-00-00	JOINT, LINK	1	
19	95380-05700-00	NUT	1	
20	90202-05088-00	WASHER, PLATE	1	
21	90468-05M03-00	CLIP	1	
22	6L2-21707-01-00	OIL TANK COMP.	1	
23	6H4-21770-00-00	OIL TANK CAP ASSY	1	
24	6L2-21758-00-00	WASHER, SPECIAL 2	1	
25	6H1-24633-00-00	CHAIN, BALL	1	
26	6H1-21757-00-00	WASHER, SPECIAL 1	2	
27	6J8-13411-00-00	STRAINER, OIL	1	
28	6J8-13414-00-00	GASKET, STRAINER COVER	1	
29	6L2-13416-00-00	PIPE, OIL 1	1	
30	90467-08004-00	CLIP	1	
31	90467-11M08-00	CLIP	1	
32	90445-11M15-00	HOSE (L360)	2	
33	90445-11M07-00	HOSE (L30)	2	
34	6J8-21744-00-00	BREATHER	1	
35	6E5-24376-10-00	PIPE, JOINT 1	1	
36	90467-10M04-00	CLIP	1	
37	90464-11M24-00	CLAMP	1	
38	90446-10M02-00	HOSE	1	
39	6A0-82317-00-00	DAMPER, IGNITION COIL	3	
40	624-42542-00-00	PIPE	3	
41	90119-06M65-00	BOLT, WITH WASHER	3	
42	6L2-21798-00-00	BRACKET, DAMPER	1	
43	97095-06016-00	BOLT	2	
44	92990-06600-00	WASHER, PLATE	2	
45	6L2-85720-01-00	OIL LEVEL GAUGE ASSEMBLY	1	

Part Notes

20MSHV 1997 / ALTERNATE 3 (OIL INJECTION)

PART NUMBER	NOTE TEXT
6H1-41237-00-00 	OEM: This part number is among the Top 100 Most Popular Marine Maintenance Parts as of March 2014.
92990-06600-00 	OEM: This part number is among the Top 100 Most Popular Marine Maintenance Parts as of March 2014.

©2014 Yamaha Motor Corporation, U.S.A. All rights reserved.


Part List

20MSHV 1997 / REPAIR KIT 1

REF - NO	PART NUMBER	PART NAME	QUANTITY	REMARKS
1	6L2-W0001-03-00	POWER HEAD GASKET KIT	1	
2	93102-25142-00	.OIL SEAL	1	
3	93101-13M37-00	.OIL SEAL	1	
4	93210-56M80-00	.O-RING	1	
5	6L2-11181-A2-00	.GASKET, CYLINDER HEAD 1	1	
6	6L2-11193-A1-00	.GASKET, HEAD COVER 1	1	
7	61A-12414-A0-00	.GASKET, COVER	1	
8	6L2-41114-A1-00	.GASKET, EXHAUST OUTER COVER	1	
9	6L2-41112-A1-00	.GASKET, EXHAUST INNER COVER	1	
10	93102-26M27-00	.OIL SEAL	1	
11	93210-42159-00	.O-RING	1	
12	6L2-13621-00-00	.GASKET, VALVE SEAT	1	
13	6L2-14384-00-00	.GASKET, FLOAT CHAMBER	2	
14	6L2-14198-00-00	.GASKET	2	
15	93210-32738-00	.O-RING	1	
16	6L2-45113-A1-00	.GASKET, UPPER CASING	1	
17	6L2-41133-A1-00	.GASKET, EXHAUST MANIFOLD 1	1	
18	6L2-W0093-00-00	CARBURETOR REPAIR KIT	1	
19	6L2-14198-00-00	.GASKET	2	
20	6L2-14384-00-00	.GASKET, FLOAT CHAMBER	2	
21	6L2-14385-00-00	.FLOAT	2	
22	6E5-14386-01-00	.PIN, FLOAT	2	
23	6L2-14392-00-00	.VALVE	2	
24	6L2-14399-00-00	.GASKET	2	
25	97980-04112-00	.SCREW, WITH WASHER	2	
26	6L2-14398-00-00	.GASKET	2	

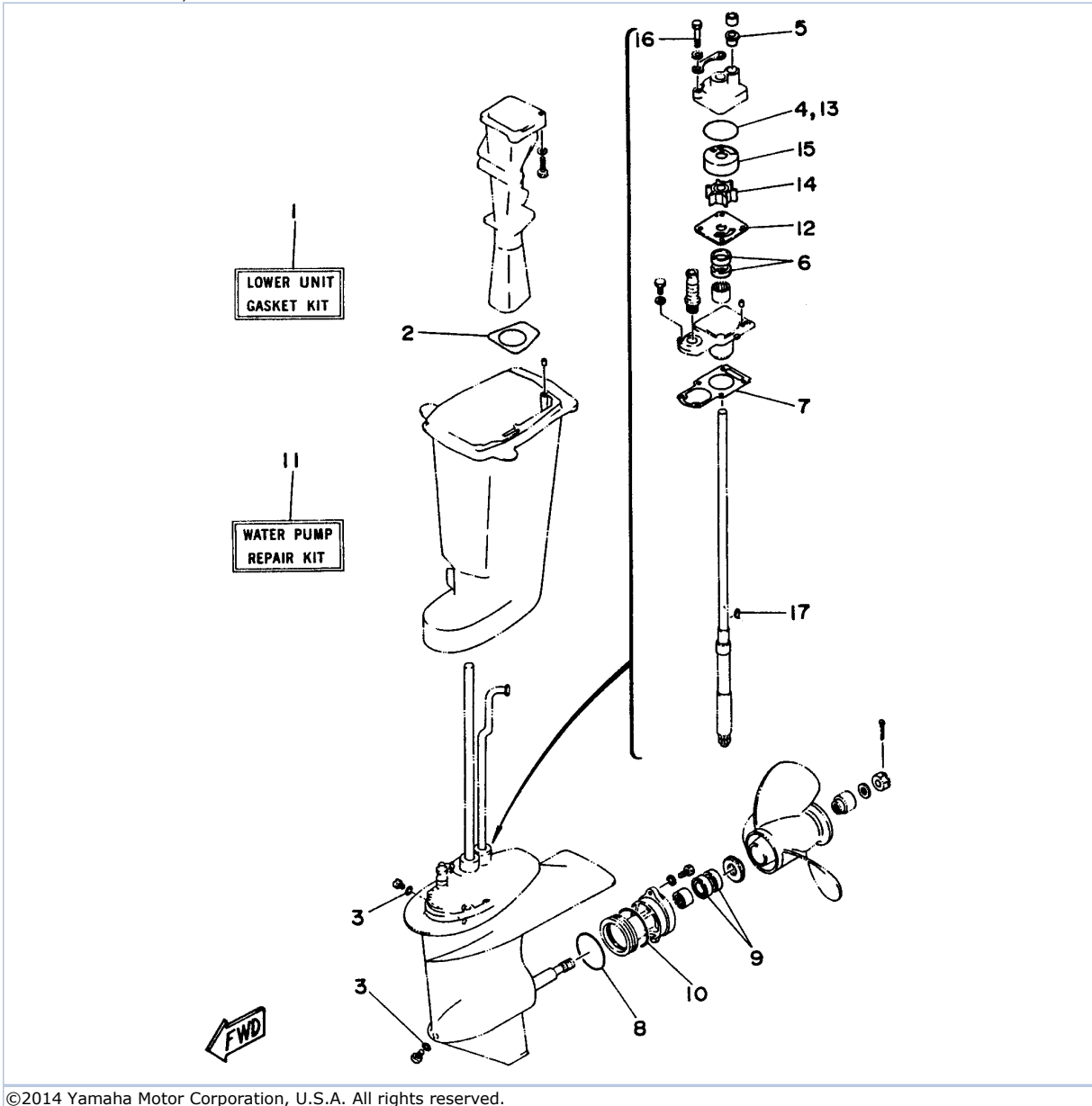
Part Notes

20MSHV 1997 / REPAIR KIT 1

PART NUMBER	NOTE TEXT
61A-12414-A0-00 	OEM: This part number is among the Top 100 Most Popular Marine Maintenance Parts as of March 2014.

©2014 Yamaha Motor Corporation, U.S.A. All rights reserved.

20MSHV 1997 / REPAIR KIT 2



©2014 Yamaha Motor Corporation, U.S.A. All rights reserved.


Part List

20MSHV 1997 / REPAIR KIT 2

REF - NO	PART NUMBER	PART NAME	QUANTITY	REMARKS
1	6L2-W0001-C3-00	LOWER UNITGASKETKIT	1	
2	6L2-41134-00-00	.GASKET, EXHAUST MANIFOLD	1	
3	90430-08020-00	.GASKET	2	
4	93210-45161-00	.O-RING	1	
5	6L2-44367-00-00	.DAMPER, WATER SEAL 3	1	
6	93101-20048-00	.OIL SEAL	2	
7	6L2-45315-A0-00	.PACKING, LOWER CASING	1	
8	93210-60MA3-00	.O-RING	1	
9	93101-20M07-00	.OIL SEAL	2	
10	93210-60M99-00	.O-RING	1	
11	6L2-W0078-00-00	WATER PUMP REPAIR KIT	1	
12	6L2-44323-00-00	.OUTER PLATE, CARTRIDGE	1	
13	93210-45161-00	.O-RING	1	
14	6L2-44352-00-00	.IMPELLER	1	
15	6L2-44322-00-00	.INSERT, CARTRIDGE	1	
16	97095-06040-00	.BOLT	4	
17	90280-03024-00	.KEY, WOODRUFF	1	

Part Notes

20MSHV 1997 / REPAIR KIT 2

PART NUMBER	NOTE TEXT
90430-08020-00 	OEM: This part number is among the Top 100 Most Popular Marine Maintenance Parts as of March 2014.

©2014 Yamaha Motor Corporation, U.S.A. All rights reserved.

©2014 Yamaha Motor Corporation, U.S.A. All rights reserved.