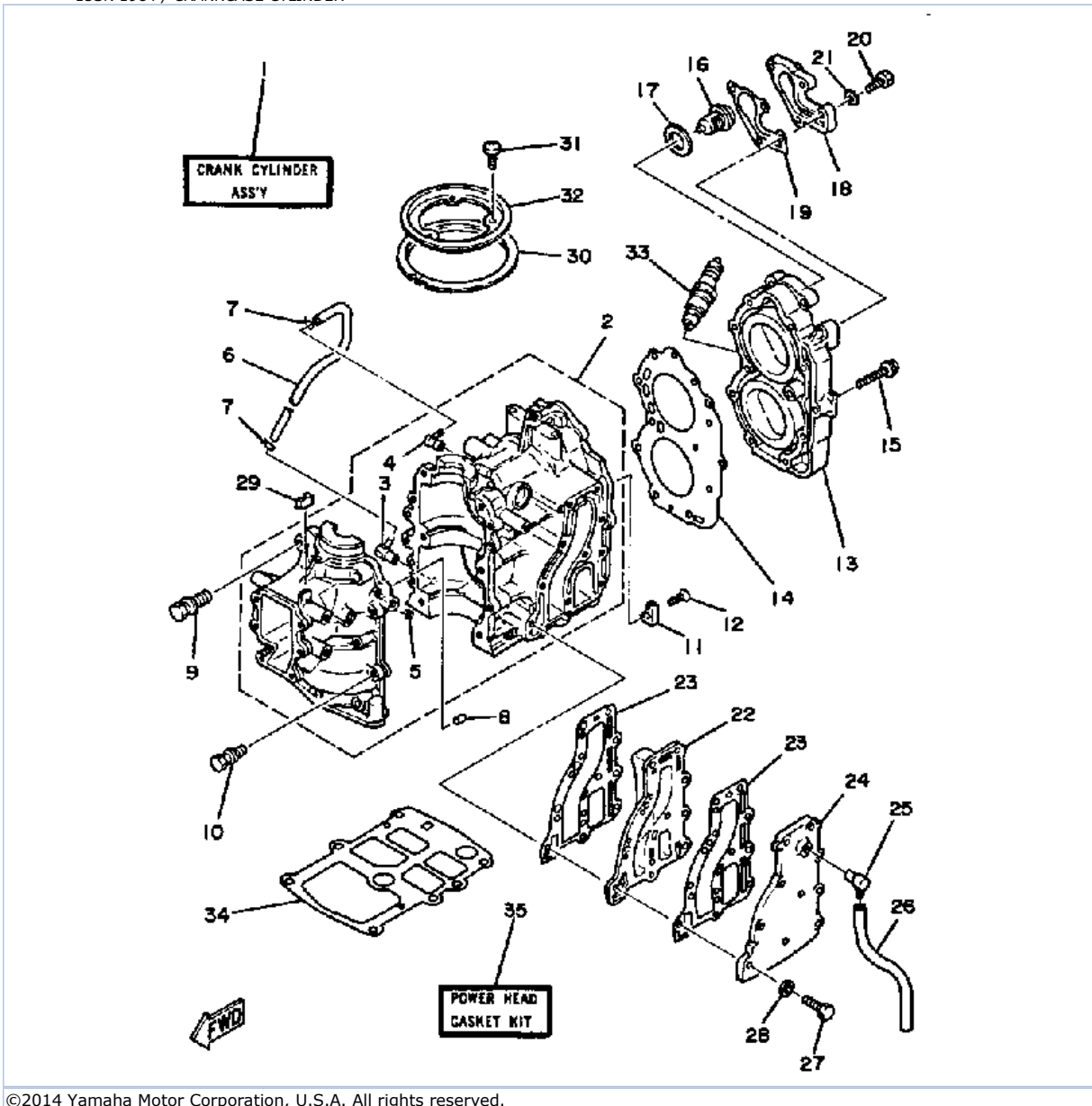


15SN 1984 / CRANKCASE CYLINDER



©2014 Yamaha Motor Corporation, U.S.A. All rights reserved.



Part List

15SN 1984 / CRANKCASE CYLINDER

| REF - NO | PART NUMBER | PART NAME | QUANTITY | REMARKS |
|----------|-----------------|-----------------------------|----------|----------|
| 1 | 6E7-W0090-03-EK | CRANK-CYLINDER.ASSEMBLY. | 1 | |
| 2 | 6E7-15100-00-94 | CRANKCASE ASSEMBLY | 1 | |
| 3 | 650-11370-00-00 | CHECK VALVE ASSY | 1 | |
| 4 | 650-14485-02-00 | PIPE, JOINT | 1 | |
| 5 | 624-11379-00-00 | .VALVE, CHECK | 1 | |
| 6 | 90445-07M08-00 | HOSE (L220) | 1 | |
| 7 | 90467-06016-00 | CLIP | 2 | |
| 8 | 93606-12019-00 | .PIN, DOWEL | 2 | |
| 9 | 90119-08M17-00 | BOLT, WITH WASHER | 6 | |
| 10 | 90119-06M13-00 | BOLT, WITH WASHER | 4 | |
| 11 | 682-11325-00-00 | ANODE | 1 | |
| 12 | 98780-05016-00 | .SCREW, FLAT HEAD | 1 | |
| 13 | 6E7-11111-00-94 | HEAD, CYLINDER 1 | 1 | |
| 14 | 6E7-11181-A0-00 | GASKET, CYLINDER HEAD 1 | 1 | |
| 15 | 90105-07M05-00 | BOLT, FLANGE | 11 | |
| 16 | 656-12411-01-00 | THERMOSTAT | 1 | |
| 17 | 90201-21567-00 | WASHER, PLATE | 1 | |
| 18 | 682-12430-09-M | UNAVAILABLE IN PRICE BOOK | 1 | |
| 19 | 682-12414-A1-00 | .GASKET, COVER | 1 | |
| 20 | 97313-06020-00 | BOLT, HEXAGON | 4 | |
| 21 | 92990-06600-00 | WASHER, PLATE | 4 | |
| 22 | 682-41111-00-9M | INNER COVER, EXHAUST | 1 | |
| 23 | 682-41112-A1-00 | GASKET, EXHAUST INNER COVER | 2 | |
| 24 | 682-41113-00-9M | OUTER COVER, EXHAUST | 1 | |
| 25 | 676-11372-00-00 | .NIPPLE, HOSE | 1 | |
| 26 | 90445-09095-00 | HOSE (L215) | 1 | |
| 27 | 97395-06025-00 | BOLT | 10 | |
| 28 | 92990-06600-00 | WASHER, PLATE | 10 | |
| 29 | 682-41615-00-00 | STOPPER, MAGNETO BASE | 1 | |
| 30 | 682-41612-01-00 | RETAINER, MAGNETO BASE | 1 | |
| 31 | 98580-06010-00 | SCREW, PAN HEAD | 3 | |
| 32 | 682-41611-00-00 | RETAINER, MAGNETO BASE | 1 | |
| 33 | NGK-B7HS1-00-00 | PLUG, SPARK (NGK B7HS-10) | 2 | |
| 34 | 682-11351-A0-00 | GASKET, CYLINDER | 1 | |
| 35 | 682-W0001-03-00 | PWR HEAD GSK KIT | 1 | SEE NOTE |

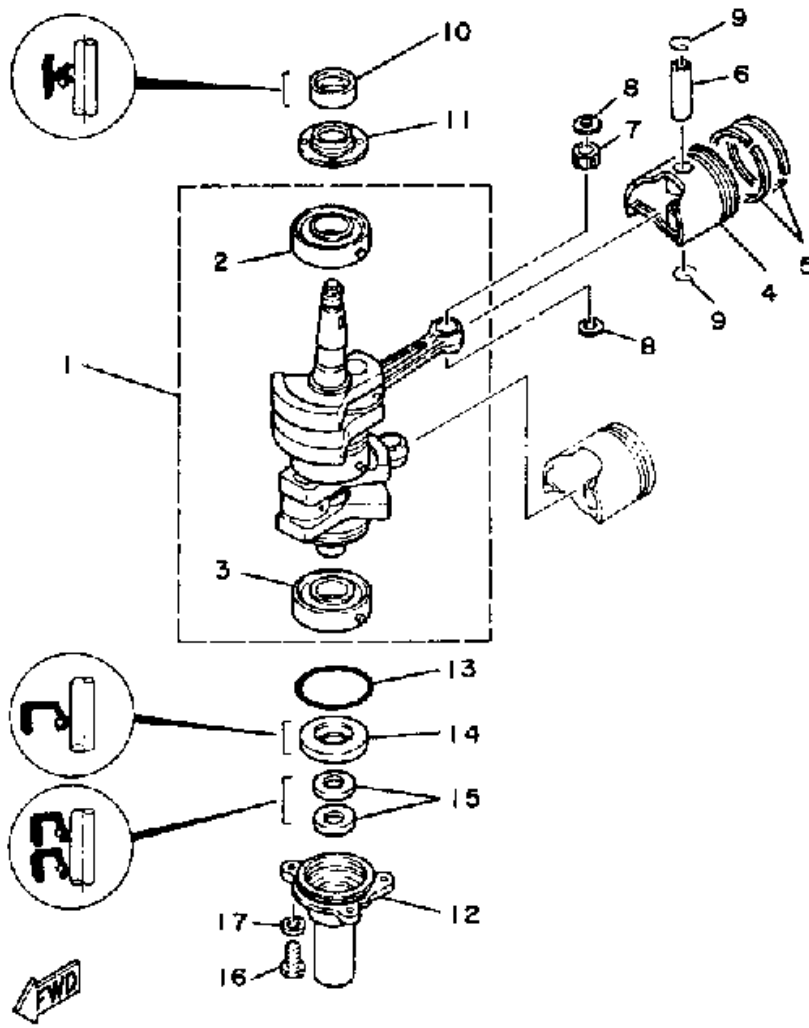
Part Notes

15SN 1984 / CRANKCASE CYLINDER

| PART NUMBER | | NOTE TEXT |
|----------------|---|--|
| 92990-06600-00 |  | OEM: This part number is among the Top 100 Most Popular Marine Maintenance Parts as of March 2014. |
| 92990-06600-00 |  | OEM: This part number is among the Top 100 Most Popular Marine Maintenance Parts as of March 2014. |

©2014 Yamaha Motor Corporation, U.S.A. All rights reserved.

15SN 1984 / CRANKSHAFT PISTON



©2014 Yamaha Motor Corporation, U.S.A. All rights reserved.


Part List

15SN 1984 / CRANKSHAFT PISTON

| REF - NO | PART NUMBER | PART NAME | QUANTITY | REMARKS |
|----------|-----------------|------------------------------|----------|----------------------|
| 1 | 682-11400-02-00 | CRANKSHAFT ASSEMBLY | 1 | |
| 2 | 93306-205U2-00 | BEARING | 1 | |
| 3 | 93306-304U0-00 | BEARING | 1 | |
| 4 | 6E7-11636-00-00 | PISTON (0.50MM O/S) | 2 | ALT. PART(NOT SHOWN) |
| 4 | 6E7-11631-00-97 | PISTON (STD) | 2 | |
| 5 | 682-11610-21-00 | PISTON RING SET (0.50MM O/S) | 2 | ALT. PART(NOT SHOWN) |
| 5 | 682-11610-01-00 | PISTON RING SET (STD) | 2 | |
| 6 | 634-11633-00-00 | PIN, PISTON | 2 | |
| 7 | 93602-14104-00 | PIN, DOWEL | 50 | |
| 8 | 90201-14377-00 | WASHER, PLATE | 4 | |
| 9 | 93450-15023-00 | CIRCLIP | 4 | |
| 10 | 93110-23M00-00 | .OIL SEAL | 1 | |
| 11 | 682-11445-00-00 | SPACER | 1 | |
| 12 | 99999-01927-00 | HOUSING, OIL SEAL | 1 | |
| 13 | 93210-53679-00 | O-RING | 1 | |
| 14 | 93101-20M10-00 | OIL SEAL, S-TYPE | 1 | |
| 15 | 93101-13M11-00 | OIL SEAL | 2 | |
| 16 | 97395-06016-00 | BOLT, HEX | 3 | |
| 17 | 92990-06600-00 | WASHER, PLATE | 3 | |

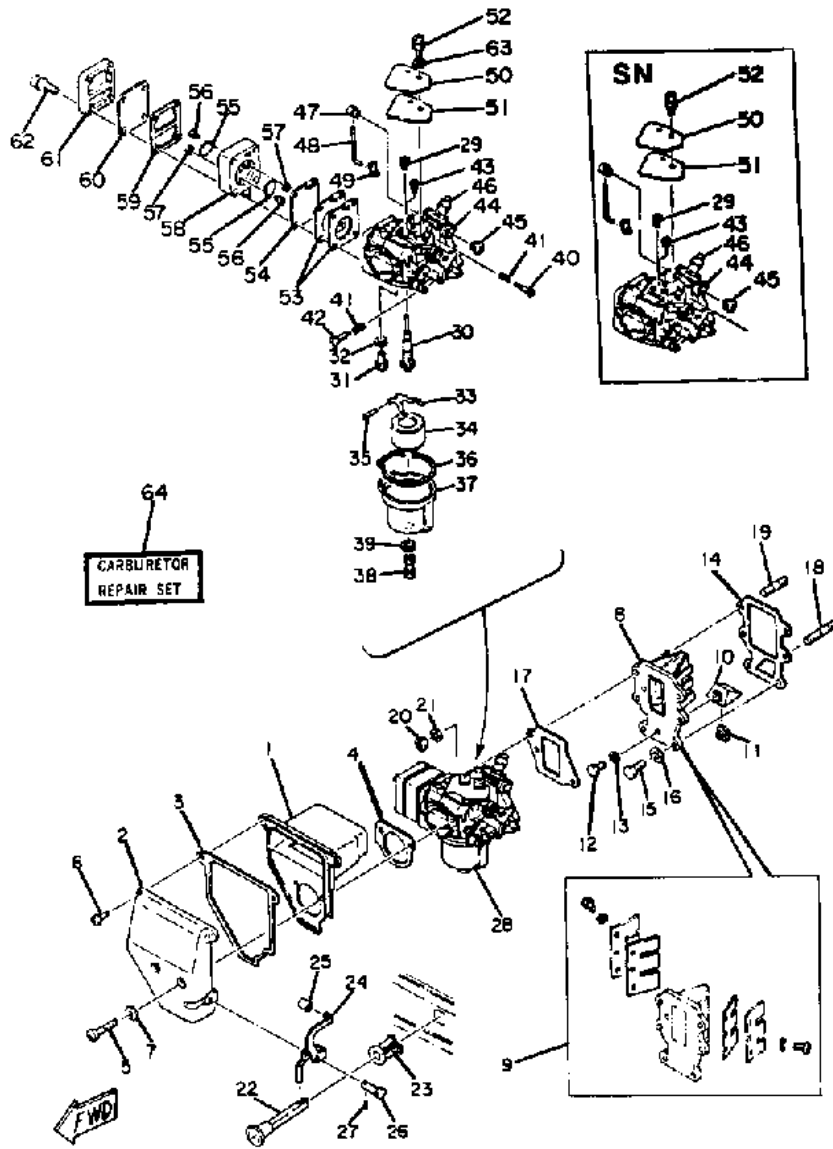
Part Notes

15SN 1984 / CRANKSHAFT PISTON

| PART NUMBER | NOTE TEXT |
|--|--|
| 92990-06600-00  | OEM: This part number is among the Top 100 Most Popular Marine Maintenance Parts as of March 2014. |

©2014 Yamaha Motor Corporation, U.S.A. All rights reserved.

15SN 1984 / INTAKE



©2014 Yamaha Motor Corporation, U.S.A. All rights reserved.

Part List




15SN 1984 / INTAKE

| REF - NO | PART NUMBER | PART NAME | QUANTITY | REMARKS |
|----------------|-------------------|-----------------------------------|----------|--------------------------|
| 1 | 682-14417-02-00 | COVER 1 | 1 | |
| 2 | 682-14418-01-00 | COVER 2 | 1 | |
| 3 | 682-14416-00-00 | GASKET, AIR CLEANER | 1 | |
| 4 | 682-14483-A0-00 | GASKET | 1 | |
| 5 | 98580-05530-00 | SCREW, PAN HEAD | 2 | |
| 6 | 97780-50514-00 | SCREW, TAPPING | 1 | |
| 7 | 92990-05600-00 | WASHER, PLATE | 2 | |
| 8 | 6E7-13610-71-00 | REED VALVE ASSEMBLY | 1 | UR 9.9 MODEL |
| 8 | 6E8-13610-01-00 | REED VALVE ASSEMBLY | 1 | U.R. 15 MODEL(NOT SHOWN) |
| 9 | 6E7-W0004-70-00 | REED SET | 1 | UR 9.9 MODEL |
| 9 | 682-W0004-00-00 | .REED SET | 1 | UR 15 MODEL(NOT SHOWN) |
| 10 | 6E7-13625-00-00 | SPACER, REED VALVE | 1 | |
| 11 | 6E7-13588-00-00 | NUT | 1 | |
| 12 | 97013-06012-00 | BOLT | 1 | |
| 13 | 92990-06600-00 | WASHER, PLATE | 1 | |
| 14 | 682-13621-00-00 | GASKET, VALVE SEAT (9.9 MODEL) | 1 | |
| 15 | 97313-06016-00 | BOLT, HEXAGON | 4 | |
| 16 | 92990-06600-00 | WASHER, PLATE | 4 | |
| 17 | 677-14198-00-00 | GASKET | 1 | |
| 18 | 90116-06M04-00 | BOLT, STUD | 1 | |
| 19 | 90116-06130-00 | BOLT, STUD | 1 | |
| 20 | 95380-06700-00 | NUT | 2 | |
| 21 | 92990-06600-00 | WASHER, PLATE | 2 | |
| 22 | 682-41271-00-00 | KNOB, CHOKE | 1 | |
| 23 | 682-41273-00-00 | GROMMET | 1 | |
| 24 | 682-41252-01-00 | LEVER, CHOKE | 1 | |
| 25 | 682-41267-00-00 | BUSHING, JOINT | 1 | |
| 26 | 682-41263-00-00 | PIN, CHOKELEVER | 1 | |
| 27 | 90468-10005-00 | CLIP | 1 | |
| 28 | 6E7-14301-74-00 | CARBURETOR ASSEMBLY 1 | 1 | U.R. 9.9 MODEL |
| 28 | 6E8-14301-05-00 | CARBURETOR ASSEMBLY 1 | 1 | U.R. 15 MODEL |
| 29 | 6E7-14342-26-00 | JET, PILOT #52 (#52) | 1 | U.R. 9.9 MODEL |
| 29 | 6E7-14342-28-00 | JET, PILOT (# 56) | 1 | U.R. 15 MODEL(NOT SHOWN) |
| 30 | 6E7-14341-70-00 | NOZZLE, MAIN | 1 | U.R. 9.9 MODEL |
| 30 | 6E8-14341-00-00 | NOZZLE, MAIN | 1 | U.R. 15 MODEL(NOT SHOWN) |
| 31 | 626-14390-90-00 | NEEDLE VALVE ASSEMBLY | 1 | |
| 32 | 367-14195-00-00 | GASKET | 1 | |
| 33 | 626-14387-00-00 | ARM, DIAPHRAGM | 1 | |
| 34 | 647-14385-00-00 | FLOAT | 1 | |
| 35 | 647-14386-10-00 | PIN, FLOAT | 1 | |
| 36 | 677-14384-01-00 | GASKET, FLOAT CHAMBER | 1 | |
| 37 | (677-14381-70-00) | BODY, FLOAT CHAMBER | 1 | |
| 38 | 677-14343-52-00 | JET, MAIN (#104) | 1 | U.R. 9.9 MODEL |
| 38 | 677-14343-68-00 | JET, MAIN (#136) | 1 | U.R. 15 MODEL(NOT SHOWN) |
| 39 | 1J2-14398-00-00 | GASKET | 1 | |
| 40 | 647-14323-00-00 | SCREW, AIR ADJUSTING | 1 | |
| 41 | 646-14212-01-00 | SPRING, PILOT ADJUSTING | 2 | |
| 42 | 98503-04014-00 | SCREW, PAN HEAD | 1 | |
| 43 | 647-14326-00-00 | .SCREW, GUIDE | 1 | |
| 44 | 682-41210-00-00 | ACCEL. ARM ASSEMBLY | 1 | |
| 45 | 677-14327-00-00 | SCREW | 1 | |
| 46 | 682-41291-00-00 | BUSHING | 1 | |
| 47 | 677-41226-00-00 | END, THROTTLE LEVER | 1 | |
| 48 | 682-41219-00-00 | ROD | 1 | |
| 49 | 661-41262-02-00 | JOINT, CHOKE LEVER | 1 | |
| 50 | 6E7-14157-00-00 | COVER, MIXING | 1 | |
| 51 | 6E7-14227-00-00 | GASKET | 1 | |
| 52 | 98580-04008-00 | .SCREW, PAN HEAD | 2 | |
| 53 | 677-24434-01-00 | GASKET, BODY | 2 | |

| | | | | |
|----|-----------------|------------------|---|----------|
| 54 | 677-24411-02-00 | .DIAPHRAGM | 1 | |
| 55 | 6A0-24421-01-00 | .VALVE, CHECK | 2 | |
| 56 | 6E7-14325-00-00 | .SCREW, PAN HEAD | 2 | |
| 57 | 98813-03100-00 | NUT | 2 | |
| 58 | 682-24412-00-00 | BODY 1 | 1 | |
| 59 | 677-24435-01-00 | GASKET, BODY 2 | 1 | |
| 60 | 677-24471-01-00 | DIAPHRAGM | 1 | |
| 61 | 677-24413-01-00 | BODY 2 | 1 | |
| 62 | 677-24444-01-00 | .SCREW | 4 | |
| 63 | 92901-04100-00 | WASHER, SPRING | 2 | |
| 64 | 677-W0093-00-00 | CARB REPAIR KIT | 1 | SEE NOTE |

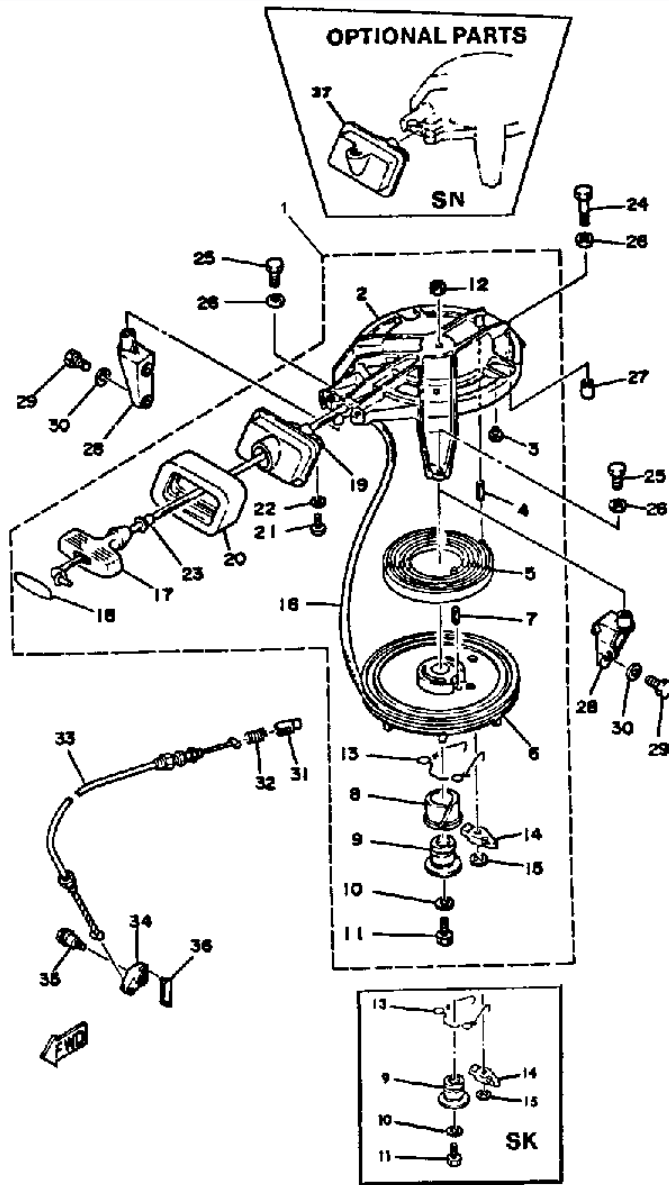
Part Notes

15SN 1984 / INTAKE

| PART NUMBER | | NOTE TEXT |
|----------------|---|--|
| 92990-06600-00 |  | OEM: This part number is among the Top 100 Most Popular Marine Maintenance Parts as of March 2014. |
| 92990-06600-00 |  | OEM: This part number is among the Top 100 Most Popular Marine Maintenance Parts as of March 2014. |
| 92990-06600-00 |  | OEM: This part number is among the Top 100 Most Popular Marine Maintenance Parts as of March 2014. |

©2014 Yamaha Motor Corporation, U.S.A. All rights reserved.

15SN 1984 / MANUAL STARTER



©2014 Yamaha Motor Corporation, U.S.A. All rights reserved.




Part List

15SN 1984 / MANUAL STARTER

| REF - NO | PART NUMBER | PART NAME | QUANTITY | REMARKS |
|----------|-----------------|---------------------------|----------|---------------|
| 1 | 6E7-15710-04-94 | STARTER ASSEMBLY | 1 | |
| 2 | 682-15711-71-94 | CASE, STARTER | 1 | |
| 3 | 648-15773-00-00 | STAY 3 | 1 | |
| 4 | 91690-40016-00 | PIN, SPRING | 1 | |
| 5 | 90510-08002-00 | .SPRING, SPIRAL | 1 | |
| 6 | 677-15714-00-94 | DRUM, SHEAVE | 1 | |
| 7 | 91690-40020-00 | PIN, SPRING | 1 | |
| 8 | 90386-25M05-00 | BUSH, SPEC"L NYLON | 1 | |
| 9 | 682-15717-01-00 | SHAFT, STARTER | 1 | |
| 10 | 90201-065F3-00 | WASHER, PLATE | 1 | |
| 11 | 97313-06020-00 | BOLT, HEXAGON | 1 | |
| 12 | 95380-06600-00 | NUT, HEXAGON | 1 | |
| 13 | 682-15705-00-00 | SPRING, PAWL DRIVE | 1 | |
| 14 | 677-15741-01-00 | .PAWL, DRIVE | 1 | |
| 15 | 93430-06M02-00 | .CIRCLIP | 1 | |
| 16 | 90580-50M01-00 | ROPE, STARTER | 1 | |
| 17 | 619-15755-01-00 | HANDLE, STARTER | 1 | |
| 18 | 689-15779-01-00 | COVER | 1 | |
| 19 | 6E7-15758-00-94 | GUIDE, ROPE | 1 | |
| 20 | 6E7-15761-00-00 | SEAL, RUBBER 1 | 1 | |
| 21 | 97313-06016-00 | BOLT, HEXAGON | 2 | |
| 22 | 92990-06600-00 | WASHER, PLATE | 2 | |
| 23 | 689-15789-00-00 | DAMPER | 1 | |
| 24 | 97013-06035-00 | BOLT | 1 | |
| 25 | 97313-06020-00 | BOLT, HEXAGON | 2 | |
| 26 | 92990-06600-00 | WASHER, PLATE | 3 | |
| 27 | 99530-10014-00 | PIN, DOWEL | 1 | |
| 28 | 6E7-15771-01-94 | STAY 1 | 2 | |
| 29 | 97313-06020-00 | BOLT, HEXAGON | 4 | |
| 30 | 92990-06600-00 | WASHER, PLATE | 4 | |
| 31 | 656-15748-00-00 | PLUNGER, STARTER STOP | 1 | |
| 32 | 90501-10227-00 | SPRING, COMPRESSION | 1 | |
| 33 | 682-15770-00-00 | CABLE COMP., STARTER STOP | 1 | |
| 34 | 682-15746-00-00 | ARM | 1 | |
| 35 | 90109-06M04-00 | BOLT | 1 | |
| 36 | 682-15747-00-00 | LINK | 1 | |
| 37 | 6E7-15758-80-EK | VERTICAL STARTER | 1 | VERTICAL TYPE |

Part Notes

15SN 1984 / MANUAL STARTER

| PART NUMBER | | NOTE TEXT |
|----------------|---|--|
| 92990-06600-00 |  | OEM: This part number is among the Top 100 Most Popular Marine Maintenance Parts as of March 2014. |
| 92990-06600-00 |  | OEM: This part number is among the Top 100 Most Popular Marine Maintenance Parts as of March 2014. |
| 92990-06600-00 |  | OEM: This part number is among the Top 100 Most Popular Marine Maintenance Parts as of March 2014. |

©2014 Yamaha Motor Corporation, U.S.A. All rights reserved.


Part List

15SN 1984 / FUEL TANK

| REF - NO | PART NUMBER | PART NAME | QUANTITY | REMARKS |
|----------|------------------|-------------------------|----------|---------|
| 1 | 6Y1-W2420-42-24 | FUEL TANK ASSEMBLY | 1 | |
| 2 | 6Y1-24244-20-00 | GRAPHIC, SIDE | 1 | |
| 3 | 6Y1-24255-40-00 | GRAPHIC, FUEL TNK 8 | 1 | |
| 4 | 6Y1-24610-00-00 | CAP ASSEMBLY | 1 | |
| 5 | 6Y1-24260-02-00 | FUEL METER ASSEMBLY | 1 | |
| 6 | 6Y1-24268-00-00 | .GASKET, FUEL METER | 1 | |
| 7 | 6Y1-24329-00-00 | .SEAL | 4 | |
| 8 | 98586-05016-00 | SCREW, PAN HEAD | 4 | |
| 9 | 6Y1-24306-51-00 | FUEL PIPE COMP. 1 | 1 | |
| 10 | 6G1-24305-01-00 | FUEL PIPE JOINT COMP. 2 | 2 | |
| 10 | 6G1-24305-01-00 | FUEL PIPE JOINT COMP. 2 | 1 | |
| 11 | 93210-08287-00 | ..O-RING | 2 | |
| 11 | 93210-08287-00 | ..O-RING | 1 | |
| 12 | 6Y1-24397-40-00 | COLLAR | 1 | |
| 13 | 6Y1-24360-51-00 | PRIMER PUMP ASSY. | 1 | |
| 14 | 90445-11M80-00 | HOSE | 1 | |
| 15 | (90445-11M78-00) | HOSE | 1 | |
| 16 | 650-24351-51-00 | .BAND 1 | 4 | |
| 17 | 6G1-24304-02-00 | FUEL PIPE JOINT COMP. 1 | 1 | |
| 18 | 97313-06020-00 | BOLT, HEXAGON | 1 | |
| 19 | 92990-06600-00 | WASHER, PLATE | 1 | |
| 20 | 655-24560-01-00 | FILTER ASSEMBLY | 1 | |
| 21 | 655-24564-00-00 | GASKET | 1 | |
| 22 | 6F5-24563-00-00 | ELEMENT, FILTER | 1 | |
| 22 | 6F5-24563-00-00 | ELEMENT, FILTER | 1 | |
| 23 | 93210-37M25-00 | O-RING | 1 | |
| 24 | 655-24521-01-00 | CUP, FILTER | 1 | |
| 25 | 95303-08700-00 | NUT | 1 | |
| 26 | 682-24566-00-00 | BRACKET, FILTER | 1 | |
| 27 | 97313-06010-00 | BOLT, HEXAGON | 1 | |
| 28 | 90445-09089-00 | HOSE | 1 | |
| 29 | 90445-09100-00 | HOSE (L260) | 1 | |
| 30 | 90467-08004-00 | CLIP | 4 | |
| 31 | ABB-FLUSH-JD-00 | JET DRIVE FLUSH | 1 | |

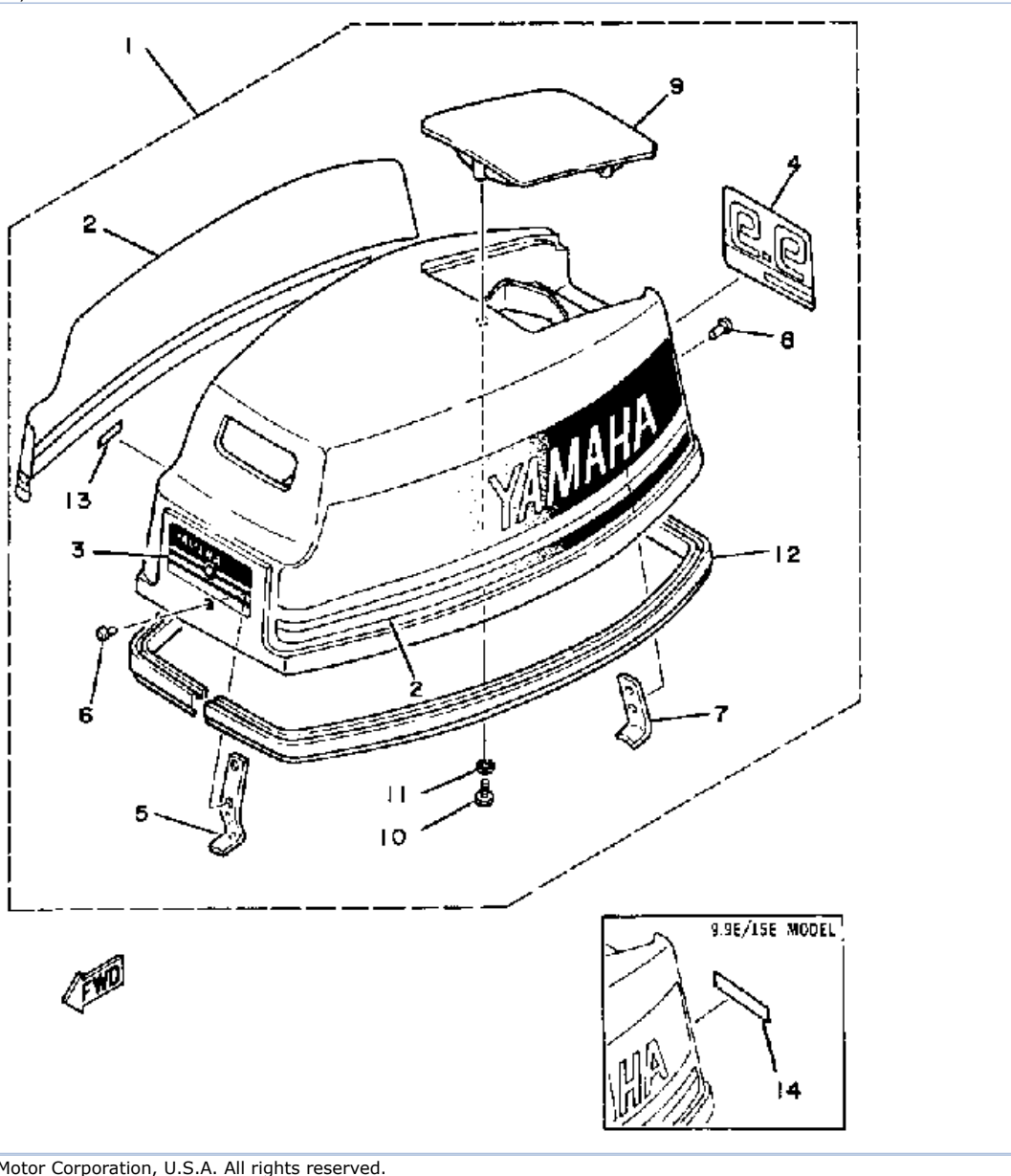
Part Notes

15SN 1984 / FUEL TANK

| PART NUMBER | NOTE TEXT |
|--|--|
| 92990-06600-00  | OEM: This part number is among the Top 100 Most Popular Marine Maintenance Parts as of March 2014. |

©2014 Yamaha Motor Corporation, U.S.A. All rights reserved.

15SN 1984 / TOP COWLING



©2014 Yamaha Motor Corporation, U.S.A. All rights reserved.


Part List

15SN 1984 / TOP COWLING

| REF - NO | PART NUMBER | PART NAME | QUANTITY | REMARKS |
|----------------|-----------------|----------------------|----------|--------------------------|
| 1 | 6E7-42610-13-EK | TOP COWLING ASSEMBLY | 1 | U.R. 9.9 MODEL |
| 1 | 6E8-42610-13-EK | TOP COWLING ASSEMBLY | 1 | U.R. 15 MODEL(NOT SHOWN) |
| 2 | 6E7-W0070-23-00 | GRAPHIC SET | 1 | |
| 3 | 6E7-42677-01-00 | GRAPHIC, FRONT | 1 | |
| 4 | 6E7-42678-10-00 | GRAPHIC, REAR | 1 | U.R. 9.9 MODEL |
| 4 | 6E8-42678-10-00 | GRAPHIC, REAR | 1 | U.R. 15 MODEL(NOT SHOWN) |
| 5 | 6E7-42651-02-00 | HOOK | 1 | |
| 6 | 90266-04M00-00 | .RIVET | 2 | |
| 7 | 6E7-42652-00-00 | .HOOK | 1 | |
| 8 | 90266-04M04-00 | .RIVET | 2 | |
| 9 | 6E7-42613-00-EK | MOLDING, AIR DUCT | 1 | |
| 10 | 97313-06016-00 | BOLT, HEXAGON | 3 | |
| 11 | 92990-06600-00 | WASHER, PLATE | 3 | |
| 12 | 682-42615-00-00 | SEAL | 1 | |
| 13 | 6E0-44191-10-00 | INDICATOR, SHIFT | 1 | |
| 14 | 6G1-42683-00-00 | MARK, COWLING 3 | 1 | 9.9E/15E MODEL |

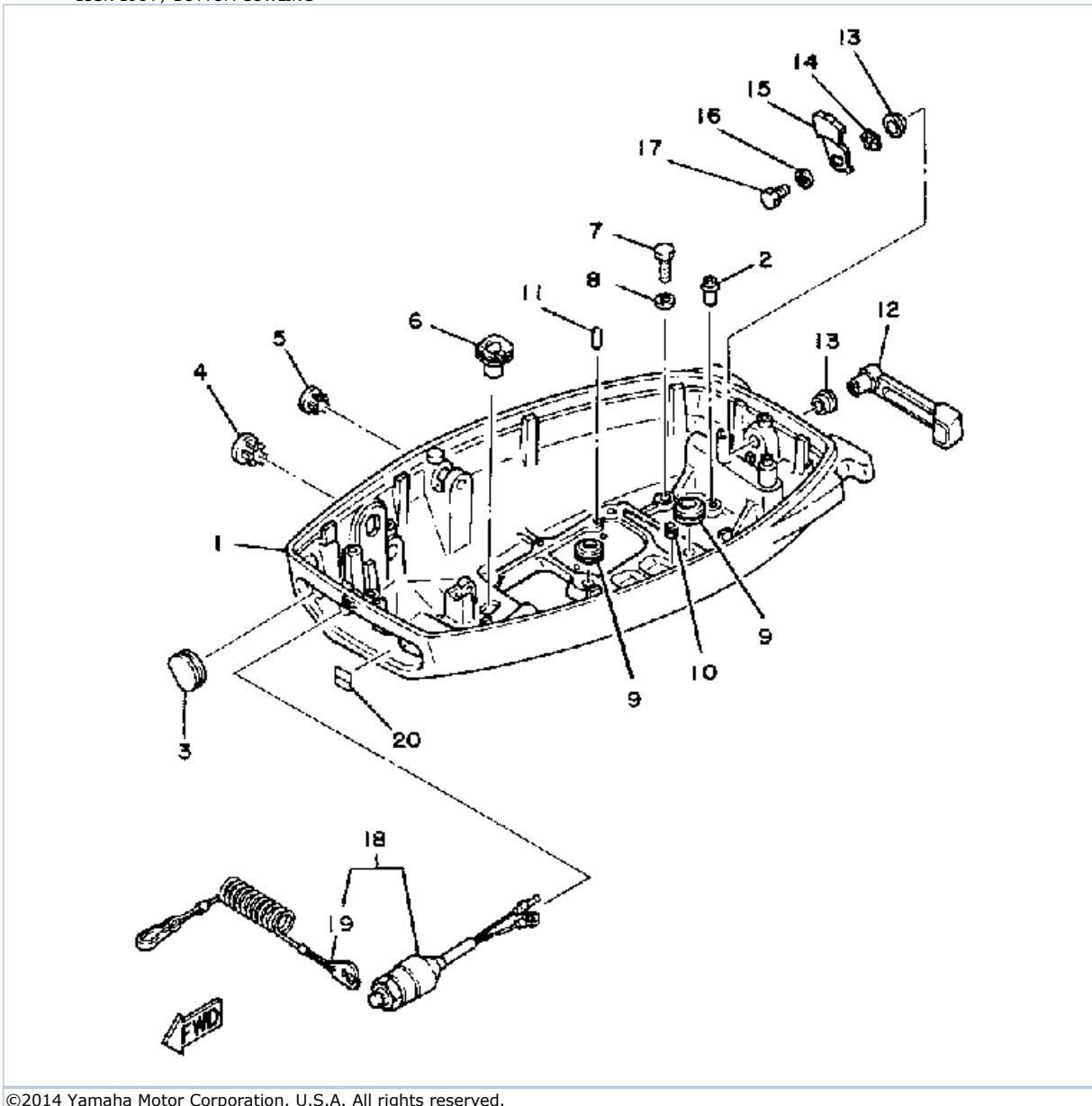
Part Notes

15SN 1984 / TOP COWLING

| PART NUMBER | NOTE TEXT |
|--|--|
| 92990-06600-00  | OEM: This part number is among the Top 100 Most Popular Marine Maintenance Parts as of March 2014. |

©2014 Yamaha Motor Corporation, U.S.A. All rights reserved.

15SN 1984 / BOTTOM COWLING



©2014 Yamaha Motor Corporation, U.S.A. All rights reserved.



Part List

15SN 1984 / BOTTOM COWLING

| REF - NO | PART NUMBER | PART NAME | QUANTITY | REMARKS |
|----------|-------------------|-----------------------------|----------|---------|
| 1 | 682-42711-09-EK | BOTTOM COWLING | 1 | |
| 2 | 652-24461-00-00 | PIPE, JOINT 4 | 1 | |
| 3 | 682-42724-00-00 | GROMMET | 1 | |
| 4 | 682-42725-02-00 | GROMMET | 1 | |
| 5 | 682-42726-00-00 | GROMMET | 1 | |
| 6 | 682-42727-00-00 | GROMMET | 1 | |
| 7 | 97313-06020-00 | BOLT, HEXAGON | 2 | |
| 8 | 92990-06600-00 | WASHER, PLATE | 2 | |
| 9 | 682-44367-00-00 | DAMPER, WATER SEAL | 2 | |
| 10 | 682-44366-00-00 | DAMPER, WATER SEAL | 1 | |
| 11 | 93606-12019-00 | .PIN, DOWEL | 2 | |
| 12 | 682-42815-00-EK | LEVER, CLAMP 1 | 1 | |
| 13 | 90386-12069-00 | BUSH | 2 | |
| 14 | 90206-12052-00 | WASHER, WAVE | 1 | |
| 15 | 6E7-42816-00-00 | LEVER, CLAMP | 1 | |
| 16 | 90201-06M02-00 | WASHER, PLATE | 1 | |
| 17 | 97313-06010-00 | BOLT, HEXAGON | 1 | |
| 18 | 6E9-82575-01-00 | ENGINE STOP SWITCH ASSEMBLY | 1 | |
| 19 | 682-82556-00-00 | .LANYARD, STOP SWITCH | 1 | |
| 20 | (6A1-42792-00-00) | MARK 2 | 1 | |

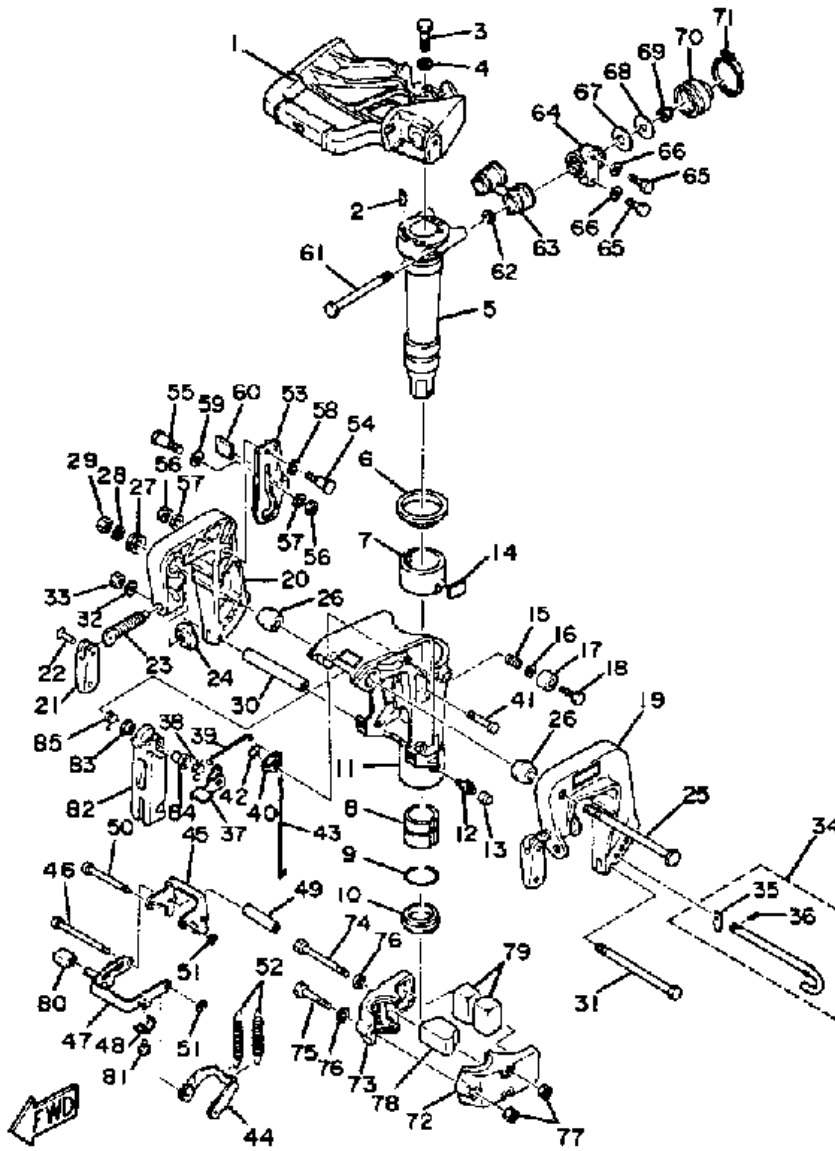
Part Notes

15SN 1984 / BOTTOM COWLING

| PART NUMBER | | NOTE TEXT |
|-----------------|---|--|
| 92990-06600-00 |  | OEM: This part number is among the Top 100 Most Popular Marine Maintenance Parts as of March 2014. |
| 682-82556-00-00 |  | OEM: This part number is among the Top 100 Most Popular Marine Maintenance Parts as of March 2014. |

©2014 Yamaha Motor Corporation, U.S.A. All rights reserved.

15SN 1984 / BRACKET



©2014 Yamaha Motor Corporation, U.S.A. All rights reserved.

Part List






15SN 1984 / BRACKET

| REF - NO | PART NUMBER | PART NAME | QUANTITY | REMARKS |
|----------------|-----------------|-------------------------------|----------|----------------|
| 1 | 682-42511-00-EK | BRACKET, STEERING | 1 | |
| 2 | 93606-12019-00 | .PIN, DOWEL | 2 | |
| 3 | 97395-06025-00 | BOLT | 3 | |
| 4 | 92990-06600-00 | WASHER, PLATE | 3 | |
| 5 | 682-42521-00-94 | SHAFT, STEERING PIVOT | 1 | |
| 6 | 90209-52M01-00 | WASHER | 1 | |
| 7 | 682-42537-00-00 | BUSHING, PIVOT SHAFT | 1 | |
| 8 | 90386-40M09-00 | BUSH | 1 | |
| 9 | 93210-40M10-00 | O-RING | 1 | |
| 10 | 90386-40M08-00 | BUSH | 1 | |
| 11 | 682-43311-04-EK | BRACKET, SWIVEL 1 | 1 | |
| 12 | 93700-06M03-00 | NIPPLE, GREASE | 1 | |
| 13 | 663-45119-00-00 | CAP, GREASE NIPPLE | 1 | |
| 14 | 648-42528-00-00 | PLATE, FRICTION | 1 | |
| 15 | 90501-18M00-00 | SPRING, COMPRESSION | 1 | |
| 16 | 92990-08600-00 | ..WASHER, PLATE | 1 | |
| 17 | 676-43373-00-00 | SEAL, DAMPER | 1 | |
| 18 | 97395-08025-00 | BOLT | 1 | |
| 19 | 682-43111-02-EK | BRACKET, CLAMP | 1 | |
| 20 | 682-43112-09-EK | BRACKET, CLAMP | 1 | |
| 21 | 616-43118-00-EK | HANDLE, TRANSOM CLIP | 2 | |
| 22 | 90243-04M00-00 | PIN | 2 | |
| 23 | 90149-14030-00 | SCREW, SPECL SHAPE | 2 | |
| 24 | 648-43114-01-00 | PAD, TRANSOM CLAMP | 2 | |
| 25 | 90101-10M57-00 | BOLT | 1 | |
| 26 | 626-43136-00-00 | PIECE, FRICTION | 2 | |
| 27 | 90504-59006-00 | SPRING, COMPRESSION | 1 | |
| 28 | 92990-10600-00 | WASHER, PLATE | 1 | |
| 29 | 95380-10700-00 | NUT | 1 | |
| 30 | 90387-06M13-00 | COLLAR | 1 | |
| 31 | 90101-06M29-00 | BOLT | 1 | |
| 32 | 92990-06600-00 | WASHER, PLATE | 1 | |
| 33 | 95380-06700-00 | NUT | 1 | |
| 34 | 689-43160-00-00 | TILT ROD ASSY | 1 | |
| 35 | 689-43165-00-00 | .PLATE, TILT LOCK | 1 | |
| 36 | 91690-30008-00 | .PIN, SPRING | 1 | |
| 37 | 682-43631-00-00 | LEVER, TILT | 1 | |
| 38 | 90508-12M03-00 | SPRING, TORSION | 1 | |
| 39 | 682-43616-00-00 | ROD, TILT LOCK | 1 | |
| 40 | 682-43641-00-00 | LEVER, TILT | 1 | |
| 41 | 90249-06117-00 | PIN, SPEC"L SHAPE | 1 | |
| 42 | 93430-05027-00 | CIRCLIP | 1 | |
| 43 | 682-43617-00-00 | ROD, TILT LOCK | 1 | |
| 44 | 682-43614-00-00 | PLATE, TILT LOCK | 1 | |
| 45 | 682-43615-01-00 | PLATE, TILT LOCK | 1 | |
| 46 | 682-43611-01-00 | SHAFT, TILT LOCK | 1 | |
| 47 | 682-43681-01-00 | LEVER, SHALLOW WATER DRIVE | 1 | |
| 48 | 682-43643-00-00 | SPRING | 1 | |
| 49 | 90387-06M20-00 | COLLAR | 1 | |
| 50 | 682-43659-00-00 | SHAFT, REVERSE LOCK | 1 | |
| 51 | 93430-05027-00 | CIRCLIP | 2 | |
| 52 | 90506-26M01-00 | SPRING, TENSION | 2 | U.R. |
| 52 | 90506-26M07-00 | SPRING, TENSION | 2 | UR (NOT SHOWN) |
| 53 | 682-43181-02-00 | LEVER, TILT STOP | 1 | |
| 54 | 90109-06M05-00 | BOLT | 1 | |
| 55 | 90109-06M03-00 | BOLT | 1 | |
| 56 | 95380-06700-00 | NUT | 2 | |
| 57 | 92990-06600-00 | WASHER, PLATE | 2 | |
| 58 | 90206-10M04-00 | WASHER, WAVE | 1 | |

| | | | | |
|----|-----------------|--|---|--|
| 59 | 682-43339-01-00 | WASHER | 1 | |
| 60 | 682-43318-01-00 | COVER | 1 | |
| 61 | 90101-08M30-00 | BOLT | 2 | |
| 62 | 90201-08M12-00 | .WASHER, PLATE | 2 | |
| 63 | 682-44521-01-00 | SEAL | 1 | |
| 64 | 682-44514-00-94 | MOUNT DAMPER, UPPER SIDE | 2 | |
| 65 | 97395-06025-00 | BOLT | 4 | |
| 66 | 92990-06600-00 | WASHER, PLATE | 4 | |
| 67 | 90202-13M02-00 | WASHER, PLATE | 2 | |
| 68 | 90201-08M13-00 | WASHER, PLATE | 2 | |
| 69 | 95780-08300-00 | ..NUT, FLANGE | 2 | |
| 70 | 682-44522-00-00 | SEAL | 2 | |
| 71 | 90460-42M01-00 | CLAMP, HOSE | 2 | |
| 72 | 682-44551-01-EK | HOUSING, LWR, MOUNTLOWER MOUNT | 1 | |
| 73 | 682-44552-01-EK | HOUSING, LWR.MNT.LOWER MOUNT RUBBER | 1 | |
| 74 | 97395-08085-00 | BOLT | 2 | |
| 75 | 97395-08055-00 | BOLT | 1 | |
| 76 | 92990-08600-00 | ..WASHER, PLATE | 3 | |
| 77 | 95380-08700-00 | NUT | 3 | |
| 78 | 682-44557-00-00 | MOUNT DAMPER, LOWER FRONT | 1 | |
| 79 | 682-44555-00-00 | MOUNT DAMPER, LOWER SIDE | 2 | |
| 80 | 682-43318-01-00 | COVER | 1 | |
| 81 | 97395-06008-00 | BOLT, HEXAGON | 1 | |
| 82 | 682-42731-01-EK | CARRYING, HANDLE | 1 | |
| 83 | 90386-10025-00 | .BUSH | 1 | |
| 84 | 90386-10045-00 | BUSH | 1 | |
| 85 | 90508-16M04-00 | SPRING, TORSION | 1 | |

Part Notes

15SN 1984 / BRACKET

| PART NUMBER | | NOTE TEXT |
|----------------|---|--|
| 92990-06600-00 |  | OEM: This part number is among the Top 100 Most Popular Marine Maintenance Parts as of March 2014. |
| 92990-10600-00 |  | OEM: This part number is among the Top 100 Most Popular Marine Maintenance Parts as of March 2014. |
| 92990-06600-00 |  | OEM: This part number is among the Top 100 Most Popular Marine Maintenance Parts as of March 2014. |
| 92990-06600-00 |  | OEM: This part number is among the Top 100 Most Popular Marine Maintenance Parts as of March 2014. |
| 92990-06600-00 |  | OEM: This part number is among the Top 100 Most Popular Marine Maintenance Parts as of March 2014. |

©2014 Yamaha Motor Corporation, U.S.A. All rights reserved.

Part List




15SN 1984 / CONTROL ENGINE

| REF - NO | PART NUMBER | PART NAME | QUANTITY | REMARKS |
|----------------|-----------------|-----------------------------------|----------|---------|
| 1 | 682-42111-00-EK | HANDLE, STEERING | 1 | |
| 2 | 682-42123-02-00 | BOLT, HANDLE JOINT | 1 | |
| 3 | 90202-12031-00 | WASHER, PLATE | 1 | |
| 4 | 90206-12M06-00 | WASHER, WAVE | 1 | |
| 5 | 90386-12M07-00 | BUSH | 1 | |
| 6 | 97315-06025-00 | BOLT | 1 | |
| 7 | 92990-06600-00 | WASHER, PLATE | 1 | |
| 8 | 90201-12181-00 | WASHER, PLATE | 1 | |
| 9 | 90386-06M06-00 | BUSH | 1 | |
| 10 | 90109-08M01-00 | BOLT | 1 | |
| 11 | 92990-08600-00 | ..WASHER, PLATE | 1 | |
| 12 | 664-42119-00-00 | GRIP, STEERING HANDLE | 1 | |
| 13 | 6G1-42177-00-00 | RUBBER, HANDLE | 1 | |
| 14 | 6E8-42137-10-00 | INDICATOR, THROTTLE | 1 | |
| 15 | 90269-02M09-00 | RIVET | 1 | |
| 16 | 98680-05525-00 | SCREW.OVAL HEAD | 1 | |
| 17 | 92990-10600-00 | WASHER, PLATE | 1 | |
| 18 | 90501-23215-00 | SPRING, COMPRESSION | 1 | |
| 19 | 682-42141-01-94 | GEAR, KNEE 1 | 1 | |
| 20 | 90386-08032-00 | BUSH | 1 | |
| 21 | 682-42142-01-00 | GEAR, KNEE 2 | 1 | |
| 22 | 682-42116-00-00 | SHAFT, STEERING HANDLE 2 | 1 | |
| 23 | 682-42716-00-00 | RUBBER, SEAL 1 | 1 | |
| 24 | 682-42151-01-00 | PINION | 1 | |
| 25 | 682-42171-01-00 | BUSHING | 1 | |
| 26 | 97313-06016-00 | BOLT, HEXAGON | 2 | |
| 27 | 92990-06200-00 | WASHER, PLAIN | 2 | |
| 28 | 682-42152-01-00 | GEAR | 1 | |
| 29 | 682-41631-00-94 | LEVER, MAGNETO CONTROL | 1 | |
| 30 | 663-85518-00-00 | JOINT, BALL | 1 | |
| 31 | 682-41661-00-00 | BRACKET | 1 | |
| 32 | 98580-06010-00 | SCREW, PAN HEAD | 2 | |
| 33 | 682-41238-01-00 | JOINT, LINK | 1 | |
| 34 | 682-41237-00-00 | JOINT, LINK | 1 | |
| 35 | 95303-05700-00 | .NUT | 1 | |
| 36 | 682-44111-01-94 | HANDLE, GEAR SHIFT | 1 | |
| 37 | 682-44132-00-00 | BUSHING | 1 | |
| 38 | 682-44121-00-00 | LEVER, SHIFT ROD | 1 | |
| 39 | 91490-25020-00 | PIN. COTTER | 1 | |
| 40 | 682-44116-00-00 | SPRING | 1 | |
| 41 | 682-44117-00-00 | BRACKET | 1 | |
| 42 | 97013-06012-00 | BOLT | 1 | |
| 43 | 682-44125-01-00 | LEVER, SHIFT ROD | 1 | |
| 44 | 91490-25020-00 | PIN. COTTER | 1 | |
| 45 | 682-44118-70-00 | BRACKET | 2 | |
| 46 | 682-41666-70-00 | STOPPER, MAGNETO CONTROL LEVER | 1 | |
| 47 | 97313-06020-00 | BOLT, HEXAGON | 1 | |
| 48 | 682-44124-70-00 | LINK, SHIFT ROD | 1 | |
| 49 | 91490-20015-00 | PIN. COTTER | 1 | |
| 50 | 92990-05600-00 | WASHER, PLATE | 1 | |
| 51 | 90387-06M02-00 | COLLAR | 2 | |
| 52 | 90201-06M31-00 | .WASHER, PLATE | 2 | |
| 53 | 682-41634-70-00 | LEVER, MAGNETO CONTROL 4 | 1 | |
| 54 | 90113-05M05-00 | BOLT, SET | 1 | |
| 55 | 95303-05700-00 | .NUT | 1 | |
| 56 | 97313-06020-00 | BOLT, HEXAGON | 1 | |
| 57 | 95380-06700-00 | NUT | 1 | |
| 58 | 682-41237-00-00 | JOINT, LINK | 1 | |
| 59 | 95303-05700-00 | .NUT | 1 | |

| | | | | |
|----|-----------------|-----------------------------------|---|--|
| 60 | 682-41237-50-00 | JOINT, LINK | 1 | |
| 61 | 682-44143-00-00 | ROD, SHIFT | 1 | |
| 62 | 90170-06015-00 | NUT | 1 | |
| 63 | 95380-06700-00 | NUT | 1 | |
| 64 | 91790-05020-00 | PIN, CLEVIS | 1 | |
| 65 | 92990-05600-00 | WASHER, PLATE | 1 | |
| 66 | 91490-16010-00 | PIN. COTTER | 1 | |
| 67 | 656-42126-01-00 | FRICTION, STEERING HANDLE GRIP | 1 | |
| 68 | 97395-06020-00 | BOLT, HEXAGON | 1 | |
| 69 | 92990-06600-00 | WASHER, PLATE | 1 | |
| 70 | 90185-06062-00 | NUT, SELF-LOCKING | 1 | |

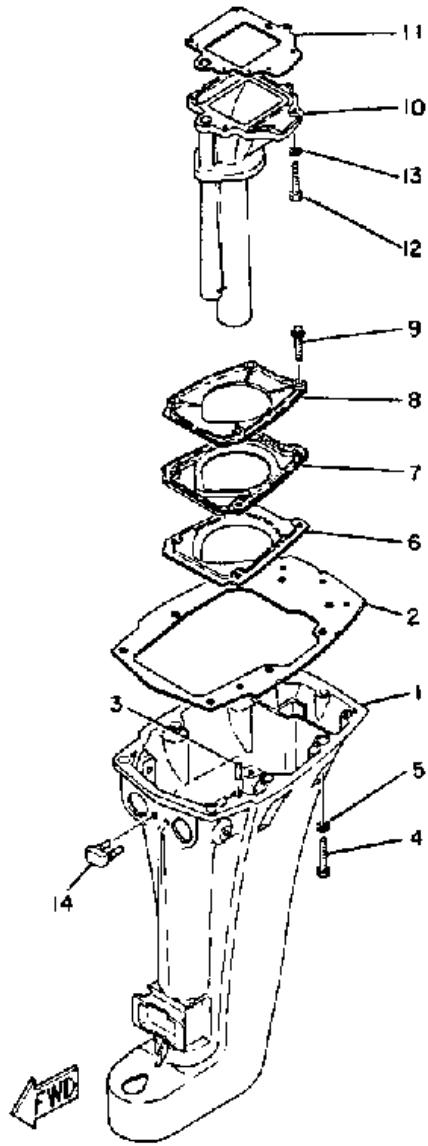
Part Notes

15SN 1984 / CONTROL ENGINE

| PART NUMBER | | NOTE TEXT |
|----------------|---|--|
| 92990-06600-00 |  | OEM: This part number is among the Top 100 Most Popular Marine Maintenance Parts as of March 2014. |
| 92990-10600-00 |  | OEM: This part number is among the Top 100 Most Popular Marine Maintenance Parts as of March 2014. |
| 92990-06600-00 |  | OEM: This part number is among the Top 100 Most Popular Marine Maintenance Parts as of March 2014. |

©2014 Yamaha Motor Corporation, U.S.A. All rights reserved.

15SN 1984 / UPPER CASING



©2014 Yamaha Motor Corporation, U.S.A. All rights reserved.


Part List

15SN 1984 / UPPER CASING

| REF - NO | PART NUMBER | PART NAME | QUANTITY | REMARKS |
|----------------|-------------------|---------------------------------|----------|----------------------|
| 1 | 682-45111-14-EK | CASING, UPPER | 1 | U.R. LONG(NOT SHOWN) |
| 1 | (682-45111-02-EK) | CASING, UPPER | 1 | U.R. SHORT |
| 2 | 682-45113-A1-00 | GASKET, UPPER CASING | 1 | |
| 3 | 93606-12019-00 | .PIN, DOWEL | 2 | |
| 4 | 97395-08040-00 | BOLT | 6 | |
| 5 | 92990-08600-00 | ..WASHER, PLATE | 6 | |
| 6 | 682-45126-00-5B | PLATE, SEAL DAMPER | 1 | |
| 7 | 682-45127-00-00 | SEAL | 1 | |
| 8 | 682-41116-00-5B | PROTECTOR | 1 | |
| 9 | 90105-06M01-00 | BOLT, WASHER BASED | 4 | |
| 10 | 682-41131-01-5B | MANIFOLD, EXT. 1 | 1 | |
| 11 | 682-41133-01-00 | GASKET, EXH. MAN. MANIFOLD 1 | 1 | |
| 12 | 97395-06020-00 | BOLT, HEXAGON | 6 | |
| 13 | 92990-06600-00 | WASHER, PLATE | 6 | |
| 14 | 682-44532-00-00 | STOPPER, UPPER MOUNT | 1 | |

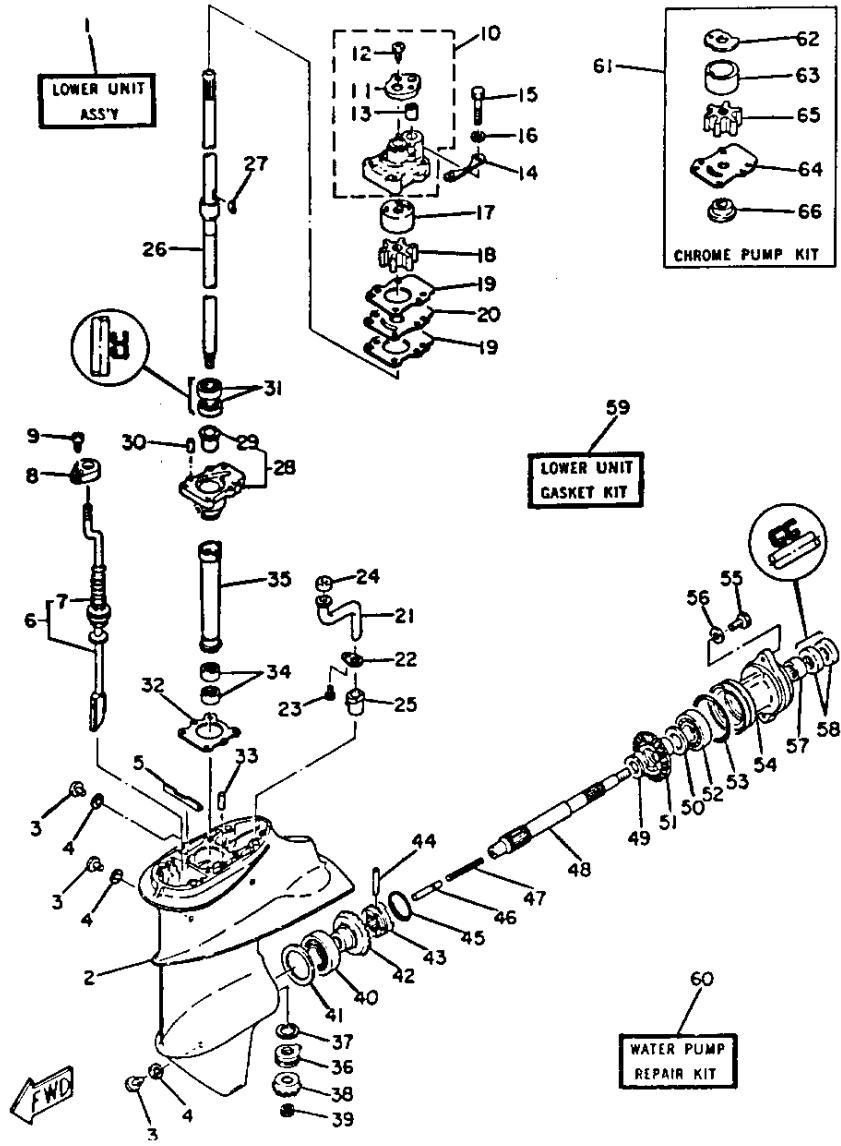
Part Notes

15SN 1984 / UPPER CASING

| PART NUMBER | NOTE TEXT |
|--|--|
| 92990-06600-00  | OEM: This part number is among the Top 100 Most Popular Marine Maintenance Parts as of March 2014. |

©2014 Yamaha Motor Corporation, U.S.A. All rights reserved.

15SN 1984 / LOWER DRIVE 1



©2014 Yamaha Motor Corporation, U.S.A. All rights reserved.

Part List



15SN 1984 / LOWER DRIVE 1

| REF - NO | PART NUMBER | PART NAME | QUANTITY | REMARKS |
|----------|-----------------|---------------------------|----------|----------------------|
| 1 | 6E7-45300-02-KT | 6E7-02 LWR UNIT KT | 1 | U.R. SHORT |
| 1 | 6E7-45300-12-KT | 6E7-12 LWR UNIT KT | 1 | U.R. LONG(NOT SHOWN) |
| 2 | 6E7-45311-00-EK | CASING, LOWER | 1 | |
| 3 | 90340-08M04-00 | PLUG, STRAIGHT SCREW | 3 | |
| 4 | 90430-08020-00 | .GASKET | 3 | |
| 5 | 682-45376-01-00 | GUIDE, SEAL DAMPER | 1 | |
| 6 | 682-44150-00-00 | SHIFT CAM ASSEMBLY | 1 | U.R. SHORT |
| 6 | 682-44150-10-00 | SHIFT CAM ASSEMBLY | 1 | U.R. LONG(NOT SHOWN) |
| 7 | 682-44147-00-00 | BOOT, SHIFT ROD | 1 | |
| 8 | 682-44176-00-00 | BRACKET | 1 | |
| 9 | 97780-50110-00 | SCREW, PAN HEAD | 1 | |
| 10 | 682-44300-01-00 | HOUSING, WATER PUMP | 1 | |
| 11 | 682-44312-00-00 | COVER, WATER PUMP HOUSING | 1 | |
| 12 | 97780-40112-00 | SCREW, TAPPING | 2 | |
| 13 | 682-44365-00-00 | DAMPER, WATER SEAL | 1 | |
| 14 | 682-44328-00-00 | PLATE | 2 | |
| 15 | 97395-06040-00 | BOLT | 4 | |
| 16 | 92990-06200-00 | WASHER, PLAIN | 4 | |
| 17 | 682-44322-00-00 | INSERT, CARTRIDGE | 1 | |
| 18 | 682-44352-01-00 | IMPELLER | 1 | |
| 19 | 682-44315-A0-00 | GASKET, WATER PUMP | 2 | |
| 20 | 682-44323-00-00 | OUTER PLATE, CARTRIDGE | 1 | |
| 21 | 683-44362-01-00 | TUBE, WATER | 1 | |
| 22 | 683-44373-00-00 | SET PLATE, WATER TUBE | 1 | |
| 23 | 97395-06010-00 | BOLT | 1 | |
| 24 | 683-44365-01-00 | DAMPER, WATER SEAL | 1 | |
| 25 | 6E7-44366-00-00 | DAMPER, WATER SEAL | 1 | |
| 26 | 6E7-45501-00-00 | DRIVE SHAFT COMP. | 1 | U.R. SHORT |
| 26 | 6E7-45501-10-00 | DRIVE SHAFT COMP. | 1 | U.R. LONG(NOT SHOWN) |
| 27 | 90280-03024-00 | .KEY, WOODRUFF | 1 | |
| 28 | 6E7-45331-00-5B | HOUSING, BEARING | 1 | |
| 29 | 626-45316-09-00 | .BUSHING, DRIVE SHAFT | 1 | |
| 30 | 93606-12019-00 | .PIN, DOWEL | 2 | |
| 31 | 93101-20048-00 | .OIL SEAL | 2 | |
| 32 | 683-45315-A0-00 | PACKING, LOWER CASING | 1 | |
| 33 | 93604-08062-00 | PIN, DOWEL | 1 | |
| 34 | 93315-314V0-00 | BEARING, CYLINDER.#15 | 2 | |
| 35 | 6E7-45536-00-00 | SLEEVE, DRIVE SHAFT | 1 | |
| 36 | 93341-214U1-00 | BEARING, FLAT (#41) | 1 | |
| 37 | 6E7-45587-00-05 | SHIM 3 | 1 | U.R. |
| 37 | 6E7-45587-00-08 | SHIM 3 | 1 | U.R. |
| 37 | 6E7-45587-01-12 | SHIM 3 | 1 | U.R. |
| 37 | 6E7-45587-01-30 | SHIM 3 | 1 | U.R. |
| 37 | 6E7-45587-01-50 | SHIM 3 | 1 | U.R. |
| 38 | 6E7-45551-00-00 | PINION (13T) | 1 | |
| 39 | 90179-08M06-00 | NUT | 1 | |
| 40 | 93332-00005-00 | BEARING | 1 | |
| 41 | 664-45567-00-05 | SHIM | 1 | U.R. |
| 41 | 664-45567-00-08 | SHIM | 1 | U.R. |
| 41 | 664-45567-01-12 | SHIM (T:0.12MM) | 1 | U.R. |
| 41 | 664-45567-01-30 | SHIM (T0.30MM) | 1 | U.R. |
| 41 | 664-45567-01-50 | SHIM (T:0.50MM) | 1 | U.R. |
| 42 | 6E7-45560-00-00 | GEAR | 1 | |
| 43 | 682-45631-00-00 | CLUTCH, DOG | 1 | |
| 44 | 90250-05010-00 | PIN, STRAIGHT | 1 | |
| 45 | 648-45633-00-00 | RING, CROSS PIN | 1 | |
| 46 | 650-45635-00-00 | PLUNGER, SHIFT | 1 | |
| 47 | 90501-14M06-00 | SPRING, COMPRESSION | 1 | |
| 48 | 683-45611-00-00 | SHAFT, PROPELLER | 1 | |

| | | | | |
|----|-----------------|------------------------|---|----------|
| 49 | 90201-17682-00 | WASHER, PLATE | 1 | |
| 50 | 626-45577-00-01 | SHIM (T:0.10MM) | 1 | U.R. |
| 50 | 626-45577-00-03 | SHIM (T:0.30MM) | 1 | U.R. |
| 50 | 626-45577-00-05 | SHIM (T:0.50MM) | 1 | U.R. |
| 51 | 6E7-45571-00-00 | GEAR 2 (27T) | 1 | |
| 52 | 93306-00501-00 | BEARING | 1 | |
| 53 | 93210-57M09-00 | .O-RING | 1 | |
| 54 | 99999-02231-00 | CAP, LOWER CASING | 1 | |
| 55 | 97395-06020-00 | BOLT, HEXAGON | 2 | |
| 56 | 92990-06600-00 | WASHER, PLATE | 2 | |
| 57 | 93315-317U2-00 | BEARING | 1 | |
| 58 | 93101-17054-00 | .OIL SEAL | 2 | |
| 59 | 683-W0001-21-00 | LWR UNIT GSKT KIT | 1 | SEE NOTE |
| 60 | 682-W0078-01-00 | WATER PUMP REPAIR KIT | 1 | SEE NOTE |
| 61 | 682-W0078-0A-00 | CHROME PUMP KIT | 1 | |
| 62 | 682-44321-40-00 | INNER PLATE, CARTRIDGE | 1 | |
| 63 | 682-44322-40-00 | INSERT, CARTRIDGE | 1 | |
| 64 | 682-44323-40-00 | OUTER PLATE, CARTRIDGE | 1 | |
| 65 | 682-44352-01-00 | IMPELLER | 1 | |
| 66 | 682-45344-00-00 | COVER, OIL SEAL | 1 | |

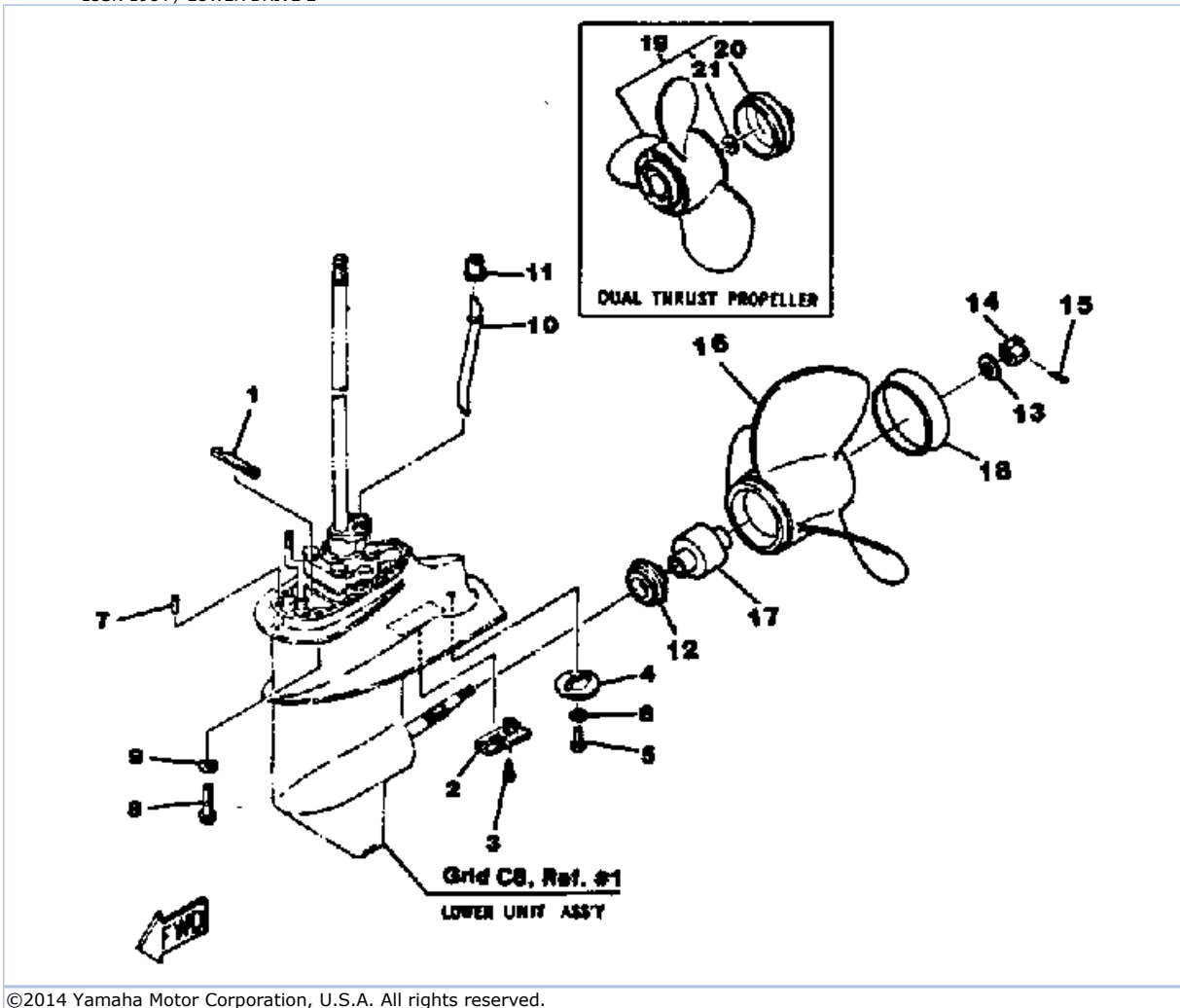
Part Notes

15SN 1984 / LOWER DRIVE 1

| PART NUMBER | | NOTE TEXT |
|----------------|---|--|
| 90430-08020-00 |  | OEM: This part number is among the Top 100 Most Popular Marine Maintenance Parts as of March 2014. |
| 92990-06600-00 |  | OEM: This part number is among the Top 100 Most Popular Marine Maintenance Parts as of March 2014. |

©2014 Yamaha Motor Corporation, U.S.A. All rights reserved.

15SN 1984 / LOWER DRIVE 2



©2014 Yamaha Motor Corporation, U.S.A. All rights reserved.


Part List

15SN 1984 / LOWER DRIVE 2

| REF - NO | PART NUMBER | PART NAME | QUANTITY | REMARKS |
|----------|-----------------|--------------------------------|----------|----------------------|
| 1 | 682-45375-01-00 | DAMPER, SEAL | 1 | |
| 2 | 683-45214-01-00 | COVER, WTR.INLET | 1 | |
| 3 | 97780-50125-00 | SCREW, TAPPING | 1 | |
| 4 | 6E8-45251-00-00 | ANODE | 1 | |
| 5 | 97395-06016-00 | BOLT, HEX | 1 | |
| 6 | 92990-06600-00 | WASHER, PLATE | 1 | |
| 7 | 93606-12019-00 | .PIN, DOWEL | 2 | |
| 8 | 97090-08035-00 | BOLT | 4 | |
| 9 | 92990-08600-00 | ..WASHER, PLATE | 4 | |
| 10 | 682-44361-10-00 | TUBE, WATER | 1 | U.R. LONG(NOT SHOWN) |
| 10 | 682-44361-00-00 | TUBE, WATER | 1 | U.R. SHORT |
| 11 | 626-44365-01-00 | DAMPER, WATER SEAL | 1 | |
| 12 | 683-45987-01-00 | SPACER 1 | 1 | |
| 13 | 90201-10M01-00 | WASHER, PLATE | 1 | |
| 14 | 90171-10M01-00 | NUT, CASTLE | 1 | |
| 15 | 91490-30020-00 | PIN. COTTER | 1 | |
| 16 | 683-45952-00-EL | PROPELLER (3X9-1/4"X9-3/4"-J) | 1 | U.R. |
| 16 | 683-45943-00-EL | PROPELLER (3X9-1/4"X10-1/2"-J) | 1 | U.R. |
| 16 | 683-45945-00-EL | PROPELLER (3X9-1/4"X9"-J) | 1 | U.R. |
| 16 | 683-45947-00-EL | PROPELLER (3X9-1/4"X8"-J) | 1 | U.R. |
| 17 | 683-45981-00-00 | DAMPER, PROPELLER | 1 | |
| 18 | 683-45986-00-94 | REFLECTOR RING | 1 | |
| 19 | 683-W4592-00-EL | DUAL TH.93/4X61/2 | 1 | U.R. |
| 19 | 683-W4591-00-EL | DUAL TH. 9 3/4X8 | 1 | U.R. |
| 19 | 683-W4592-02-EL | PROPELLER (3X9-3/4"X6-1/2"-J) | 1 | |
| 19 | 683-W4591-02-EL | PROPELLER (3X9-3/4"X8"-J) | 1 | |
| 20 | 99999-02238-00 | NUT, PROPELLER | 1 | |
| 21 | 90201-10M02-00 | WASHER, PLATE | 1 | |

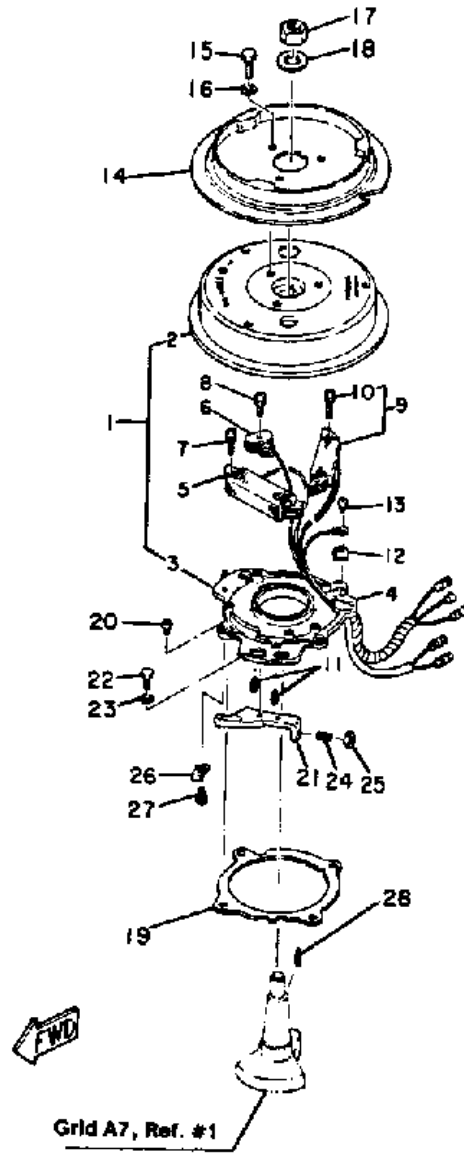
Part Notes

15SN 1984 / LOWER DRIVE 2

| PART NUMBER | NOTE TEXT |
|--|--|
| 92990-06600-00  | OEM: This part number is among the Top 100 Most Popular Marine Maintenance Parts as of March 2014. |

©2014 Yamaha Motor Corporation, U.S.A. All rights reserved.

15SN 1984 / CDI MAGNETO



©2014 Yamaha Motor Corporation, U.S.A. All rights reserved.


Part List

15SN 1984 / CDI MAGNETO

| REF - NO | PART NUMBER | PART NAME | QUANTITY | REMARKS |
|----------------|------------------|---------------------------|----------|---------|
| 1 | N/A--- | UNAVAILABLE IN PRICE BOOK | 1 | N/A |
| 2 | 6E7-85550-70-00 | ROTOR ASSEMBLY | 1 | |
| 3 | 6E7-85560-A0-00 | BASE ASSY | 1 | |
| 4 | 6E7-85509-70-00 | BASE, MAGNETO | 1 | |
| 5 | 6E7-85520-70-00 | .COIL, CHARGE | 1 | |
| 6 | 6E7-85580-70-00 | .COIL, PULSER | 1 | |
| 7 | 90159-05039-00 | SCREW, W/WASHER | 2 | |
| 8 | 90159-05038-00 | SCREW, WITH WASHER | 1 | |
| 9 | 6E7-81303-A0-00 | .LIGHTING COIL ASSY | 1 | |
| 10 | 90159-05039-00 | SCREW, W/WASHER | 2 | |
| 11 | 663-85518-00-00 | JOINT, BALL | 2 | |
| 12 | 6E7-81328-70-00 | CLAMP, CORD | 1 | |
| 13 | 97802-04006-00 | .SCREW, PAN HEAD | 1 | |
| 14 | 6E7-15723-00-94 | PULLEY, STARTER | 1 | |
| 15 | 97013-06012-00 | BOLT | 3 | |
| 16 | 92990-06600-00 | WASHER, PLATE | 3 | |
| 17 | 90170-12066-00 | NUT | 1 | |
| 18 | 90201-12472-00 | WASHER, PLATE | 1 | |
| 19 | 682-41613-02-00 | PLATE, BASE FRICTION | 1 | |
| 20 | (97803-05008-00) | SCREW, PAN HEAD | 4 | |
| 21 | 6E8-41213-00-94 | CAM, ACCEL. | 1 | |
| 22 | 97313-05010-00 | BOLT, HEXAGON | 2 | |
| 23 | 92990-05600-00 | WASHER, PLATE | 2 | |
| 24 | 90113-05M04-00 | BOLT, SET | 1 | |
| 25 | 95380-05700-00 | NUT | 1 | |
| 26 | 682-41616-00-00 | STOPPER, MAGNETO BASE | 1 | |
| 27 | 97390-05010-00 | BOLT, HEXAGON | 1 | |
| 28 | 90280-16053-00 | KEY, WOODRUFF | 1 | |

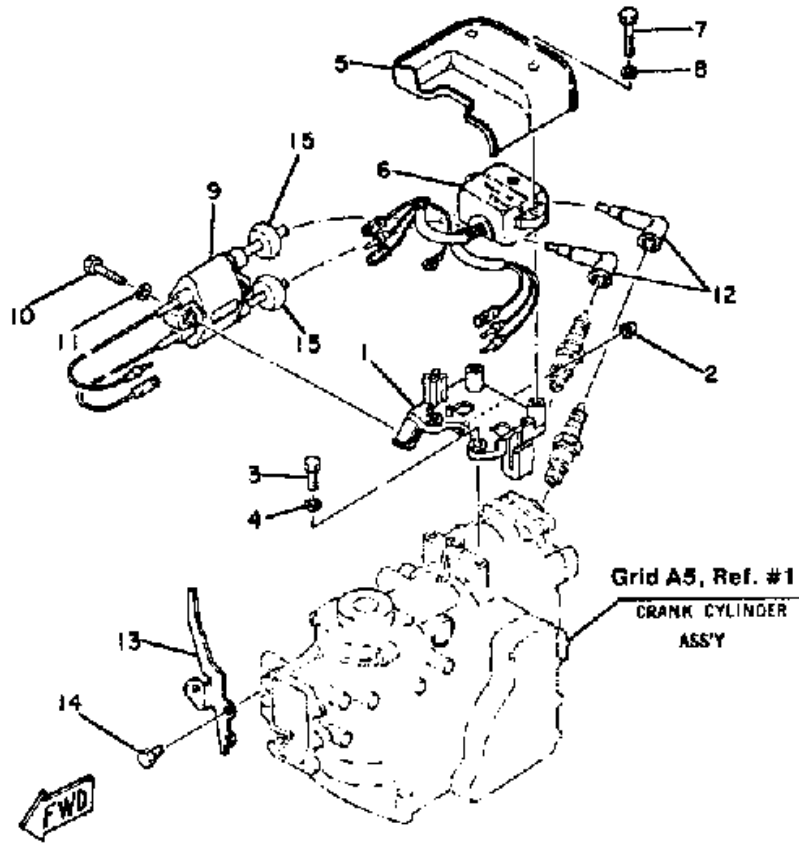
Part Notes

15SN 1984 / CDI MAGNETO

| PART NUMBER | NOTE TEXT |
|--|--|
| 92990-06600-00  | OEM: This part number is among the Top 100 Most Popular Marine Maintenance Parts as of March 2014. |

©2014 Yamaha Motor Corporation, U.S.A. All rights reserved.

15SN 1984 / ELECTRIC PARTS



©2014 Yamaha Motor Corporation, U.S.A. All rights reserved.



Part List

15SN 1984 / ELECTRIC PARTS

| REF - NO | PART NUMBER | PART NAME | QUANTITY | REMARKS |
|----------------|-----------------|------------------------|----------|---------|
| 1 | 6E7-85542-00-94 | BRACKET | 1 | |
| 2 | 6E7-82317-00-00 | DAMPER, IGNITION COIL | 2 | |
| 3 | 97313-06020-00 | BOLT, HEXAGON | 2 | |
| 4 | 92990-06600-00 | WASHER, PLATE | 2 | |
| 5 | 6E7-81916-00-00 | COVER, TERMINAL | 1 | |
| 6 | 695-85540-11-00 | C.D.I. UNIT ASSEMBLY | 1 | |
| 7 | 97313-06030-00 | BOLT | 2 | |
| 8 | 92990-06200-00 | WASHER, PLAIN | 2 | |
| 9 | 6E7-85570-19-00 | IGNITION COIL ASSEMBLY | 1 | |
| 10 | 97313-06030-00 | BOLT | 2 | |
| 11 | 92990-06600-00 | WASHER, PLATE | 2 | |
| 12 | 663-82370-01-00 | PLUG CAP ASSY | 2 | |
| 13 | 682-81332-02-00 | PLATE, TIMING | 1 | |
| 14 | 97313-06014-00 | BOLT, HEXAGON | 2 | |
| 15 | 90480-25161-00 | GROMMET | 2 | |

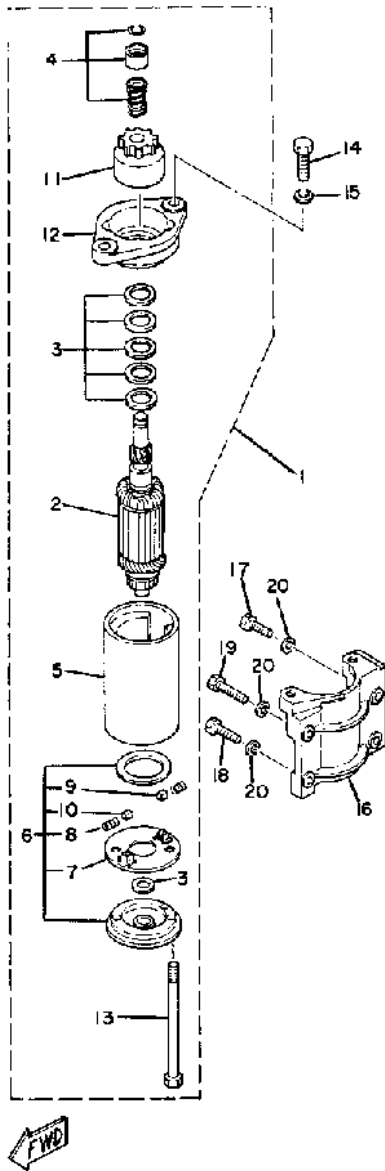
Part Notes

15SN 1984 / ELECTRIC PARTS

| PART NUMBER | NOTE TEXT |
|--|--|
| 92990-06600-00  | OEM: This part number is among the Top 100 Most Popular Marine Maintenance Parts as of March 2014. |
| 92990-06600-00  | OEM: This part number is among the Top 100 Most Popular Marine Maintenance Parts as of March 2014. |

©2014 Yamaha Motor Corporation, U.S.A. All rights reserved.

15SN 1984 / ELECTRIC MOTOR (9.9E 15E)



©2014 Yamaha Motor Corporation, U.S.A. All rights reserved.


Part List

15SN 1984 / ELECTRIC MOTOR (9.9E 15E)

| REF - NO | PART NUMBER | PART NAME | QUANTITY | REMARKS |
|----------------|-----------------|--|----------|---------|
| 1 | 682-81800-11-00 | ELECTRIC MOTOR ASSY | 1 | |
| 2 | 682-81850-10-00 | .ARMATURE ASSY | 1 | |
| 3 | 682-81809-10-00 | .WASHER KIT | 1 | |
| 4 | 682-81833-10-00 | .PINION STOPPER SET | 1 | |
| 5 | 682-81810-11-00 | .STATOR ASSY | 1 | |
| 6 | 682-81820-10-00 | .REAR COVER ASSY | 1 | |
| 7 | 682-81840-10-00 | ..BRUSH HOLDER ASSY | 1 | |
| 8 | 682-81813-10-00 | ..SPRING, BRUSH | 2 | |
| 9 | 682-81811-10-00 | ..BRUSH 1 (+) | 1 | |
| 10 | 682-81812-10-00 | ..BRUSH 2 (-) | 1 | |
| 11 | 682-81832-10-00 | .PINION ASSY | 1 | |
| 12 | 682-81830-10-00 | .FRONT COVER ASSY | 1 | |
| 13 | 682-81826-10-00 | .BOLT | 2 | |
| 14 | 97313-08025-00 | BOLT | 2 | |
| 15 | 92990-08600-00 | ..WASHER, PLATE | 2 | |
| 16 | 682-81822-43-94 | BRACKET, ELECTRIC MOTOR (682-81822-42-94) | 1 | |
| 17 | 97313-06025-00 | BOLT | 1 | |
| 18 | 97313-06020-00 | BOLT, HEXAGON | 2 | |
| 19 | 97313-06030-00 | BOLT | 1 | |
| 20 | 92990-06600-00 | WASHER, PLATE | 4 | |

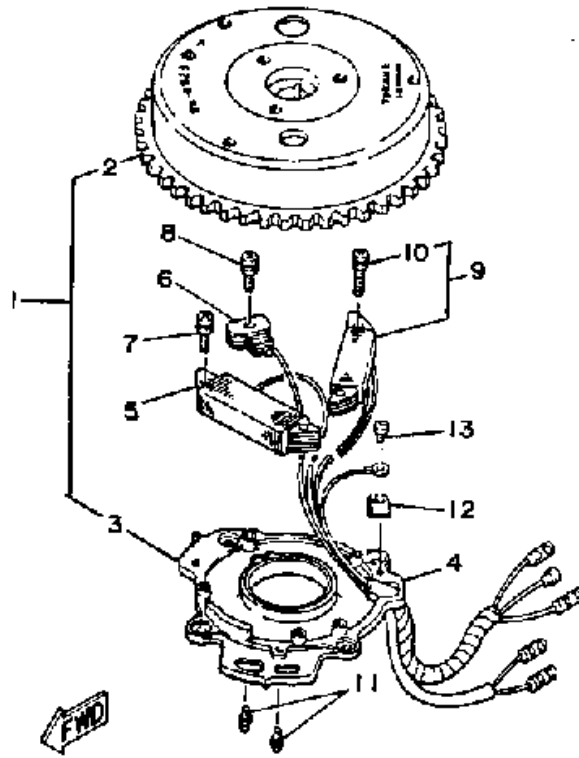
Part Notes

15SN 1984 / ELECTRIC MOTOR (9.9E 15E)

| PART NUMBER | NOTE TEXT |
|--|--|
| 92990-06600-00  | OEM: This part number is among the Top 100 Most Popular Marine Maintenance Parts as of March 2014. |

©2014 Yamaha Motor Corporation, U.S.A. All rights reserved.

15SN 1984 / CDI MAGNETO (9.9E 15E)



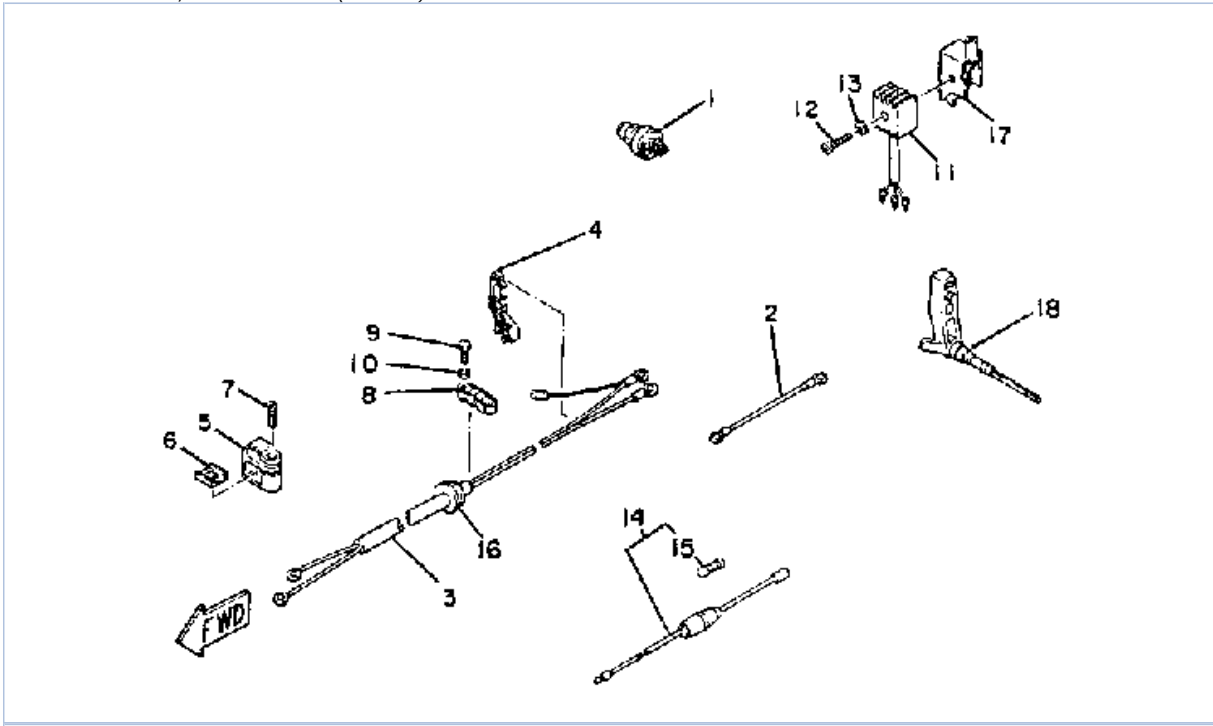
©2014 Yamaha Motor Corporation, U.S.A. All rights reserved.

Part List

15SN 1984 / CDI MAGNETO (9.9E 15E)

| REF - NO | PART NUMBER | PART NAME | QUANTITY | REMARKS |
|----------------|-----------------|----------------------------|----------|---------|
| 1 | 682-81800-12-00 | STARTING MOTOR ASSEMBLY | 1 | |
| 2 | 6E7-85550-A0-00 | ..ROTOR ASSY | 1 | |
| 3 | 6E7-85560-A0-00 | ..BASE ASSY | 1 | |
| 4 | 6E7-85509-70-00 | ..BASE, MAGNETO | 1 | |
| 5 | 6E7-85520-70-00 | ..COIL, CHARGE | 1 | |
| 6 | 6E7-85580-70-00 | ..COIL, PULSER | 1 | |
| 7 | 90159-05039-00 | ..SCREW, W/WASHER | 2 | |
| 8 | 90159-05038-00 | ..SCREW, WITH WASHER | 1 | |
| 9 | 6E7-81303-A0-00 | ..LIGHTING COIL ASSY | 1 | |
| 10 | 90159-05039-00 | ...SCREW, W/WASHER | 2 | |
| 11 | 663-85518-00-00 | ..JOINT, BALL | 2 | |
| 12 | 6E7-81328-70-00 | ..CLAMP, CORD | 1 | |
| 13 | 97802-04006-00 | ..SCREW, PAN HEAD | 2 | |

15SN 1984 / ELECTRIC PARTS (9.9E 15E)



©2014 Yamaha Motor Corporation, U.S.A. All rights reserved.


Part List

15SN 1984 / ELECTRIC PARTS (9.9E 15E)

| REF - NO | PART NUMBER | PART NAME | QUANTITY | REMARKS |
|----------------|-----------------|----------------------|----------|---------|
| 1 | 682-81870-00-00 | STARTING SWITCH ASSY | 1 | |
| 2 | 682-82117-02-00 | WIRE, LEAD | 1 | |
| 3 | 682-82105-02-00 | BATTERY CABLE | 1 | |
| 4 | 682-82594-01-00 | CLAMP | 1 | |
| 5 | 689-82594-00-00 | CLAMP | 1 | |
| 6 | 682-42525-00-00 | PLATE, FRICTION 1 | 1 | |
| 7 | 90161-06M00-00 | SCREW, TAPPING | 1 | |
| 8 | 90464-08M03-00 | CLAMP | 1 | |
| 9 | 97313-06016-00 | BOLT, HEXAGON | 2 | |
| 10 | 92990-06600-00 | WASHER, PLATE | 2 | |
| 11 | 664-81970-60-00 | RECTIFIER ASSY | 1 | |
| 12 | 97803-05025-00 | SCREW, PAN HEAD | 1 | |
| 13 | 92990-05600-00 | WASHER, PLATE | 1 | |
| 14 | 682-82150-01-00 | FUSE HOLDER ASSY | 1 | |
| 15 | 663-82151-00-00 | .FUSE (12V-20A) | 1 | |
| 16 | 682-42724-40-00 | GROMMET 1 | 1 | |
| 17 | 6E7-15771-40-94 | STAY | 1 | |
| 18 | 682-44111-41-94 | HANDLE, GEAR SHIFT | 1 | |

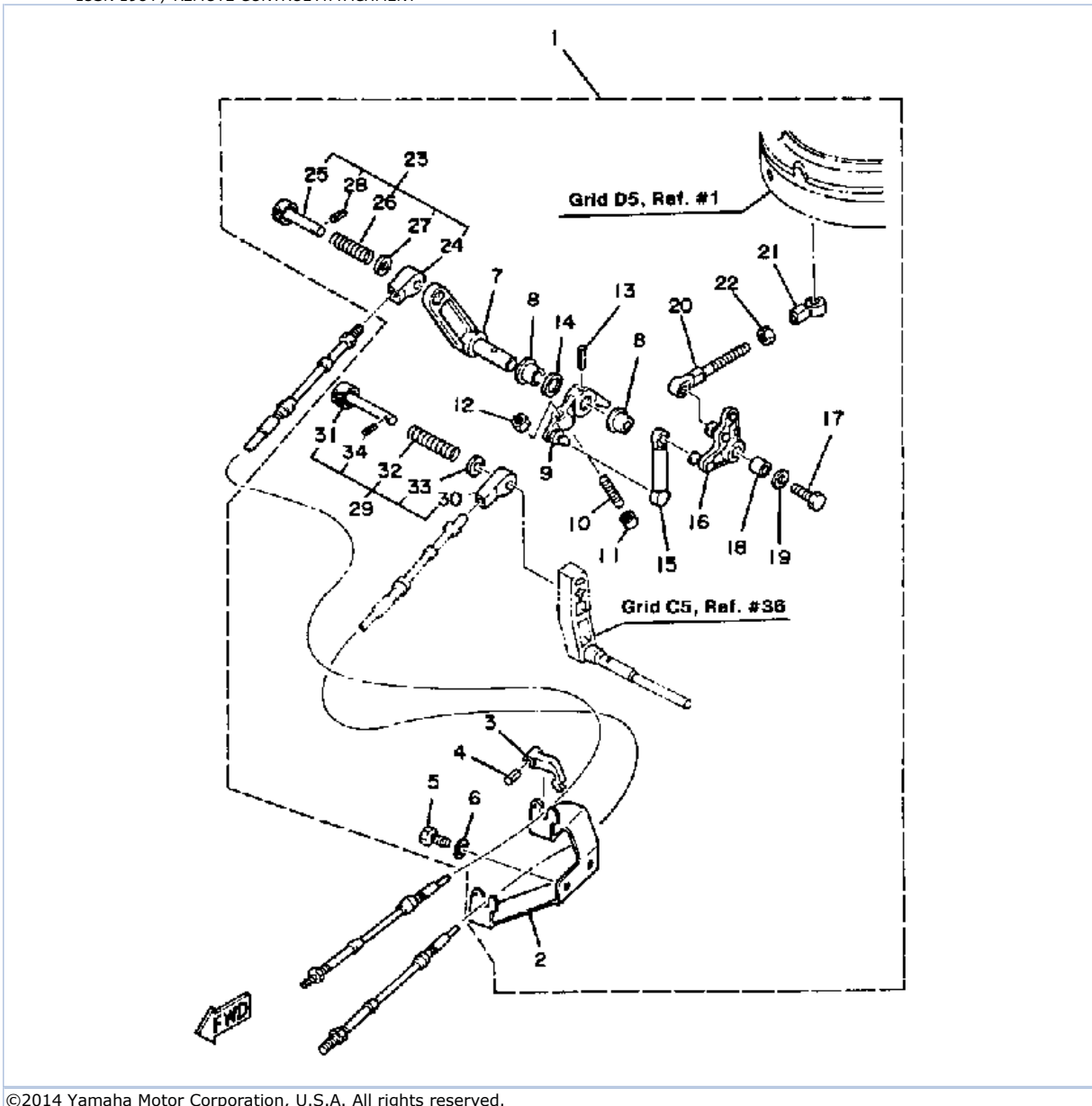
Part Notes

15SN 1984 / ELECTRIC PARTS (9.9E 15E)

| PART NUMBER | NOTE TEXT |
|---|--|
| 92990-06600-00  | OEM: This part number is among the Top 100 Most Popular Marine Maintenance Parts as of March 2014. |

©2014 Yamaha Motor Corporation, U.S.A. All rights reserved.

15SN 1984 / REMOTE CONTROL ATTACHMENT



©2014 Yamaha Motor Corporation, U.S.A. All rights reserved.


Part List

15SN 1984 / REMOTE CONTROL ATTACHMENT

| REF - NO | PART NUMBER | PART NAME | QUANTITY | REMARKS |
|----------|-----------------|-------------------------------|----------|---------|
| 1 | 6E7-48501-50-00 | ATTACHMENT ASSY | 1 | |
| 2 | 682-48531-51-00 | .BRACKET, REMOTE CONTROL | 1 | |
| 3 | 682-48538-50-00 | .CLAMP, CABLE 1 | 2 | |
| 4 | 91690-30012-00 | .PIN, SPRING | 2 | |
| 5 | 97395-06016-00 | .BOLT, HEX | 2 | |
| 6 | 92990-06600-00 | .WASHER, PLATE | 2 | |
| 7 | 682-41631-50-94 | .LEVER, MAGNETO CONTROL 1 | 1 | |
| 8 | 90386-10009-00 | .BUSH | 2 | |
| 9 | 682-41632-50-94 | .LEVER, MAGNETO CONTROL 2 | 1 | |
| 10 | 90113-06M01-00 | .BOLT | 1 | |
| 11 | 663-44194-00-00 | .CAP | 1 | |
| 12 | 95380-06700-00 | .NUT | 1 | |
| 13 | 91690-40018-00 | .PIN, SPRING | 1 | |
| 14 | 90202-10024-00 | .WASHER, PLATE | 1 | |
| 15 | 682-41238-51-00 | .JOINT, LINK 1 | 1 | |
| 16 | 682-41633-00-94 | .LEVER, MAGNETO CONTROL 3 | 1 | |
| 17 | 97313-06020-00 | .BOLT, HEXAGON | 1 | |
| 18 | 90387-06M02-00 | .COLLAR | 1 | |
| 19 | 90387-06298-00 | .COLLAR | 1 | |
| 20 | 682-41237-50-00 | .JOINT, LINK | 1 | |
| 21 | 682-41237-00-00 | .JOINT, LINK | 1 | |
| 22 | 95380-05700-00 | .NUT | 1 | |
| 23 | 682-48340-50-00 | .CABLE END ASSY (THROTTLE) | 1 | |
| 24 | 682-48344-50-00 | ..CABLE END, REMOTE CONTROL 1 | 1 | |
| 25 | 617-48361-90-00 | ..HOOK, CABLE | 1 | |
| 26 | 90501-10264-00 | ..SPRING, COMPRESSION | 1 | |
| 27 | 92990-08600-00 | ..WASHER, PLATE | 1 | |
| 28 | 91690-30012-00 | ..PIN, SPRING | 1 | |
| 29 | 682-48330-50-00 | .CABLE END ASSY (SHIFT) | 1 | |
| 30 | 682-48346-50-00 | ..CABLE END, REMOTE CONTROL 3 | 1 | |
| 31 | 617-48331-90-00 | ..HOOK, CABLE | 1 | |
| 32 | 90501-10071-00 | .SPRING, COMPRESSION | 1 | |
| 33 | 92990-08600-00 | ..WASHER, PLATE | 1 | |
| 34 | 91690-30012-00 | ..PIN, SPRING | 1 | |

Part Notes

15SN 1984 / REMOTE CONTROL ATTACHMENT

| PART NUMBER | NOTE TEXT |
|--|--|
| 92990-06600-00  | OEM: This part number is among the Top 100 Most Popular Marine Maintenance Parts as of March 2014. |

©2014 Yamaha Motor Corporation, U.S.A. All rights reserved.

©2014 Yamaha Motor Corporation, U.S.A. All rights reserved.