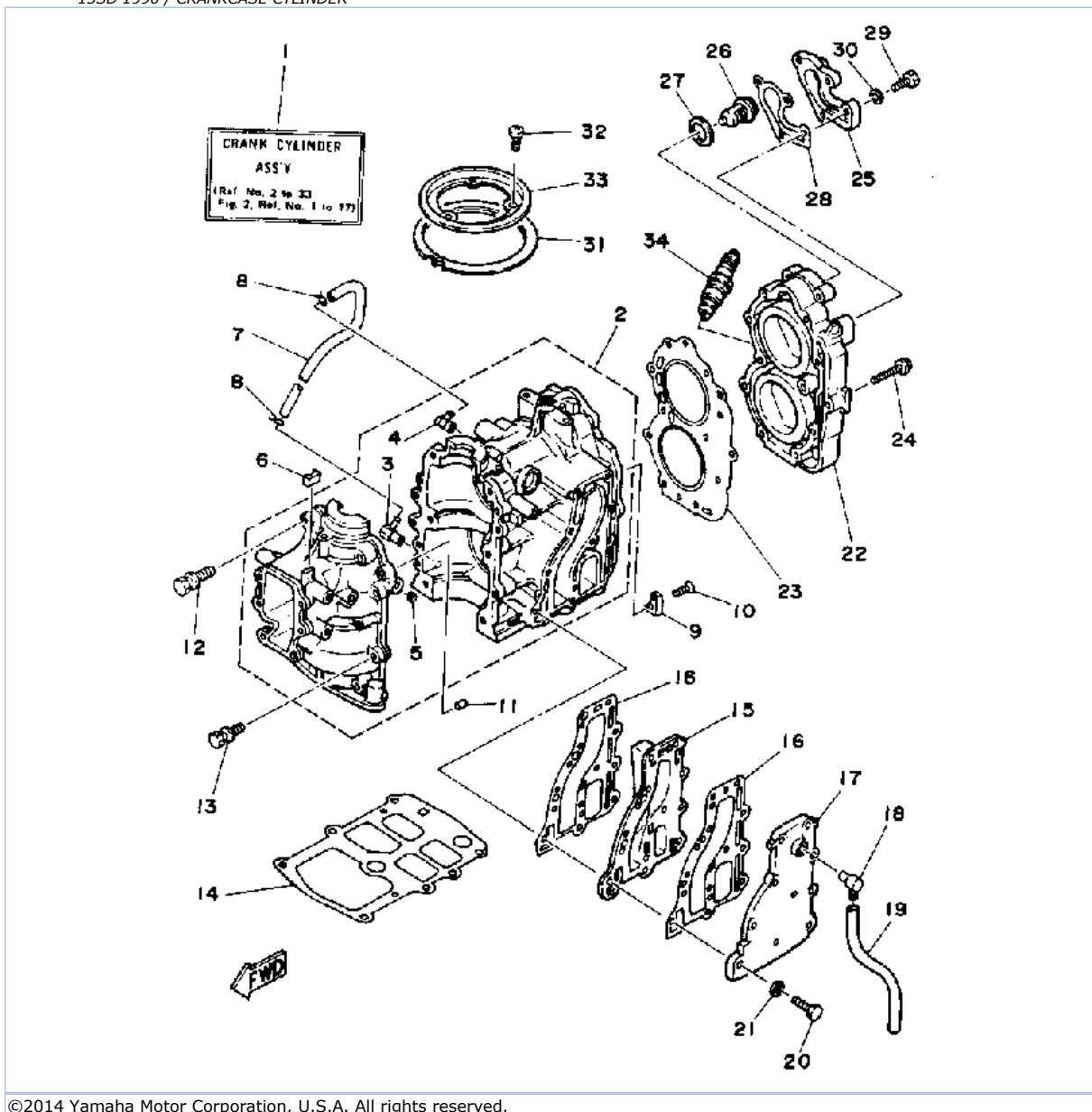


15SD 1990 / CRANKCASE CYLINDER



©2014 Yamaha Motor Corporation, U.S.A. All rights reserved.



## Part List

15SD 1990 / CRANKCASE CYLINDER

| REF - NO | PART NUMBER     | PART NAME                   | QUANTITY | REMARKS |
|----------|-----------------|-----------------------------|----------|---------|
| 1        | 6E7-W0090-03-EK | CRANK-CYLINDER.ASSEMBLY.    | 1        |         |
| 2        | 6E7-15100-00-94 | CRANKCASE ASSEMBLY          | 1        |         |
| 3        | 650-11370-00-00 | .CHECK VALVE ASSY           | 1        |         |
| 4        | 650-14485-02-00 | .PIPE, JOINT                | 1        |         |
| 5        | 624-11379-00-00 | .VALVE, CHECK               | 1        |         |
| 6        | 682-41615-00-00 | STOPPER, MAGNETO BASE       | 1        |         |
| 7        | 90445-07M08-00  | HOSE (L220)                 | 1        |         |
| 8        | 90467-06016-00  | CLIP                        | 2        |         |
| 9        | 682-11325-00-00 | ANODE                       | 1        |         |
| 10       | 98780-05016-00  | .SCREW, FLAT HEAD           | 1        |         |
| 11       | 93606-12019-00  | .PIN, DOWEL                 | 2        |         |
| 12       | 90119-08M17-00  | BOLT, WITH WASHER           | 6        |         |
| 13       | 90119-06M13-00  | BOLT, WITH WASHER           | 4        |         |
| 14       | 682-11351-A0-00 | GASKET, CYLINDER            | 1        |         |
| 15       | 682-41111-00-9M | INNER COVER, EXHAUST        | 1        |         |
| 16       | 682-41112-A1-00 | GASKET, EXHAUST INNER COVER | 2        |         |
| 17       | 682-41113-00-9M | OUTER COVER, EXHAUST        | 1        |         |
| 18       | 676-11372-00-00 | .NIPPLE, HOSE               | 1        |         |
| 19       | 90445-09095-00  | HOSE (L215)                 | 1        |         |
| 20       | 97313-06025-00  | BOLT                        | 10       |         |
| 21       | 92990-06600-00  | WASHER, PLATE               | 10       |         |
| 22       | 6E7-11111-00-94 | HEAD, CYLINDER 1            | 1        |         |
| 23       | 6E7-11181-A0-00 | GASKET, CYLINDER HEAD 1     | 1        |         |
| 24       | 90105-07M05-00  | BOLT, FLANGE                | 11       |         |
| 25       | 682-12413-00-9M | COVER, THERMOSTAT           | 1        |         |
| 26       | 6F5-12411-02-00 | THERMOSTAT                  | 1        |         |
| 27       | 90201-21567-00  | WASHER, PLATE               | 1        |         |
| 28       | 682-12414-A1-00 | .GASKET, COVER              | 1        |         |
| 29       | 97313-06020-00  | BOLT, HEXAGON               | 4        |         |
| 30       | 92990-06600-00  | WASHER, PLATE               | 4        |         |
| 31       | 682-41612-01-00 | RETAINER, MAGNETO BASE      | 1        |         |
| 32       | 98580-06010-00  | SCREW, PAN HEAD             | 3        |         |
| 33       | 682-41611-00-00 | RETAINER, MAGNETO BASE      | 1        |         |
| 34       | NGK-B7HS1-00-00 | PLUG, SPARK (NGK B7HS-10)   | 2        |         |

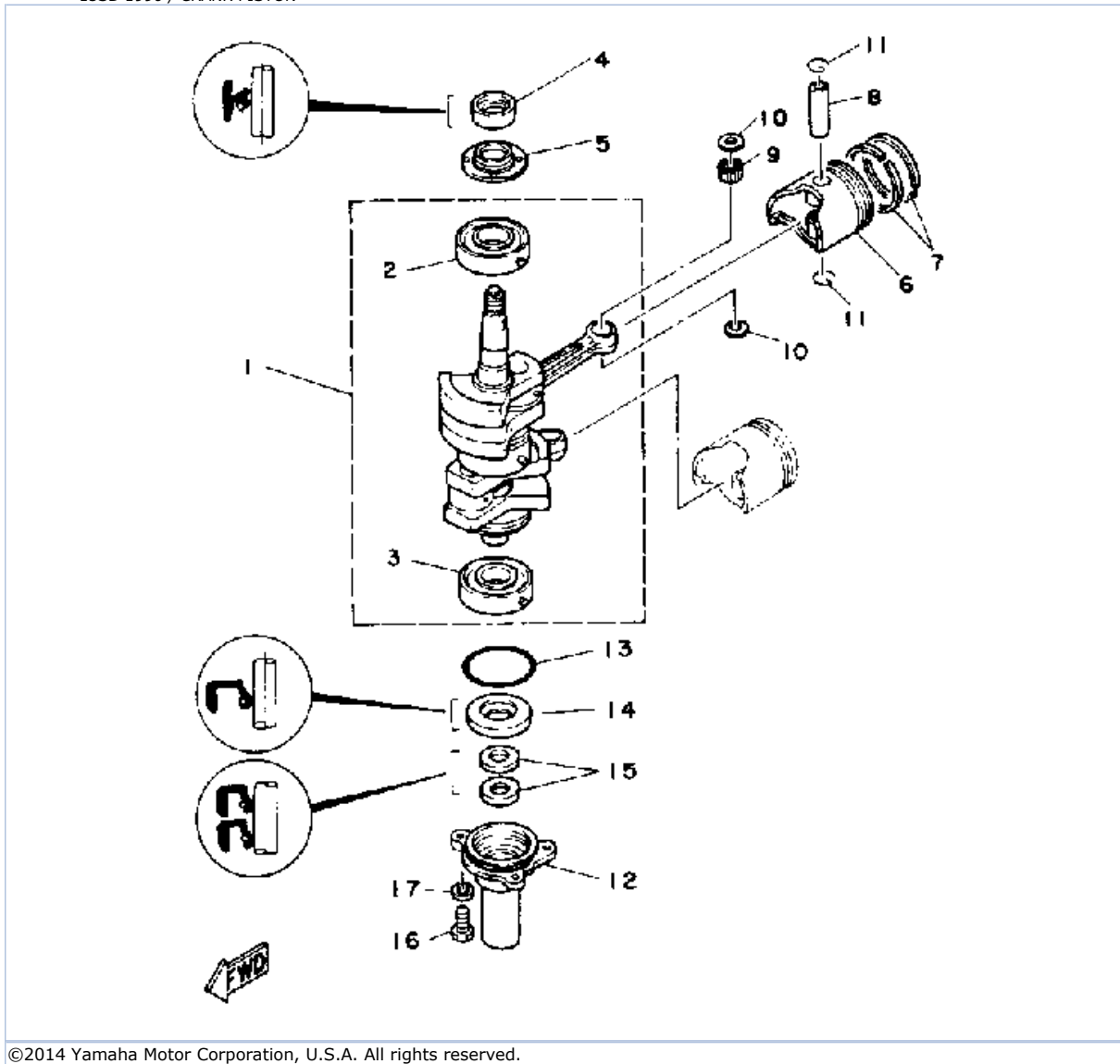
## Part Notes

15SD 1990 / CRANKCASE CYLINDER

| PART NUMBER    |                                                                                     | NOTE TEXT                                                                                          |
|----------------|-------------------------------------------------------------------------------------|----------------------------------------------------------------------------------------------------|
| 92990-06600-00 |  | OEM: This part number is among the Top 100 Most Popular Marine Maintenance Parts as of March 2014. |
| 92990-06600-00 |  | OEM: This part number is among the Top 100 Most Popular Marine Maintenance Parts as of March 2014. |

©2014 Yamaha Motor Corporation, U.S.A. All rights reserved.

15SD 1990 / CRANK PISTON



©2014 Yamaha Motor Corporation, U.S.A. All rights reserved.


## Part List

15SD 1990 / CRANK PISTON

| REF<br>-<br>NO | PART<br>NUMBER  | PART NAME                    | QUANTITY | REMARKS |
|----------------|-----------------|------------------------------|----------|---------|
| 1              | 682-11400-02-00 | CRANKSHAFT ASSEMBLY          | 1        |         |
| 2              | 93306-205U2-00  | .BEARING                     | 1        |         |
| 3              | 93306-304U0-00  | .BEARING                     | 1        |         |
| 4              | 93110-23M00-00  | .OIL SEAL                    | 1        |         |
| 5              | 682-11445-00-00 | SPACER                       | 1        |         |
| 6              | 6E7-11636-00-00 | PISTON (0.50MM O/S)          | 2        | AP      |
| 6              | 6E7-11631-00-97 | PISTON (STD)                 | 2        |         |
| 7              | 682-11610-21-00 | PISTON RING SET (0.50MM O/S) | 2        | AP      |
| 7              | 682-11610-01-00 | PISTON RING SET (STD)        | 2        |         |
| 8              | 634-11633-00-00 | PIN, PISTON                  | 2        |         |
| 9              | 93602-14104-00  | PIN, DOWEL                   | 50       |         |
| 10             | 90201-14377-00  | WASHER, PLATE                | 4        |         |
| 11             | 93450-15023-00  | CIRCLIP                      | 4        |         |
| 12             | 682-15396-03-5B | HOUSING, OIL SEAL            | 1        |         |
| 13             | 93210-53679-00  | O-RING                       | 1        |         |
| 14             | 93101-20M29-00  | OIL SEAL                     | 1        |         |
| 15             | 93101-13M11-00  | OIL SEAL                     | 2        |         |
| 16             | 97395-06016-00  | BOLT, HEX                    | 3        |         |
| 17             | 92990-06600-00  | WASHER, PLATE                | 3        |         |

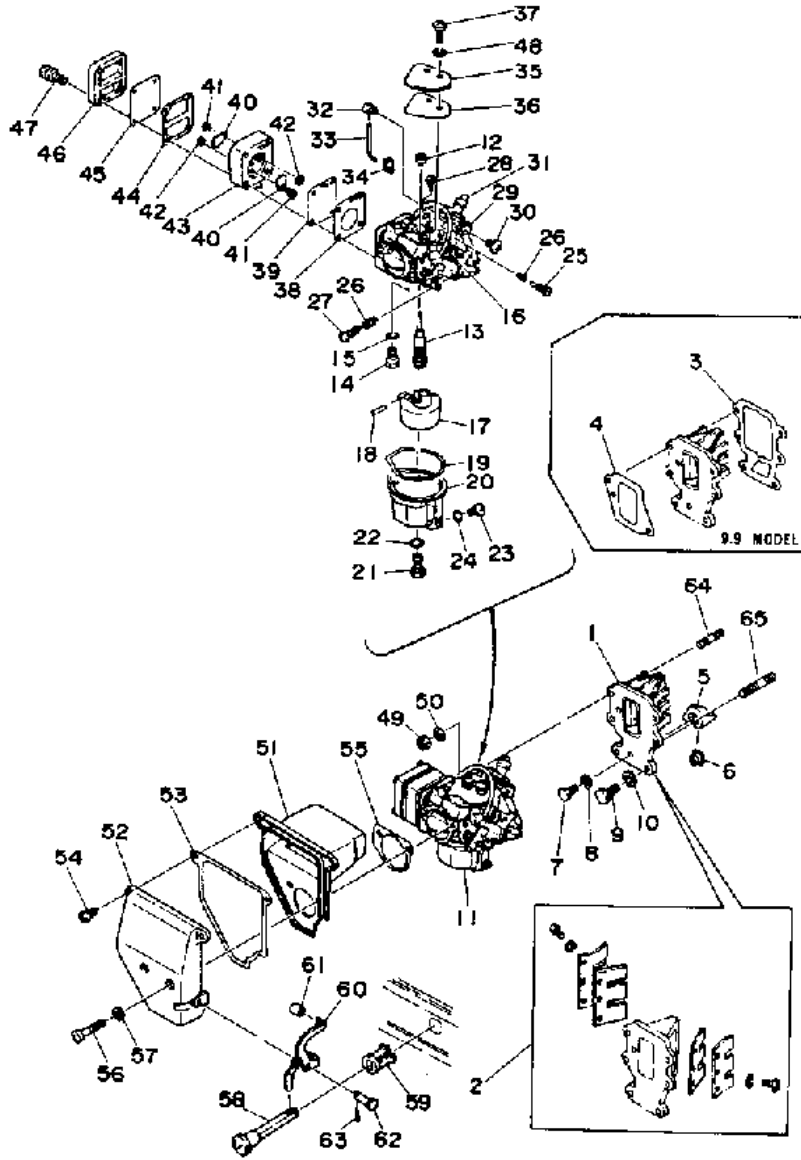
## Part Notes

15SD 1990 / CRANK PISTON

| PART NUMBER                                                                                        | NOTE TEXT                                                                                          |
|----------------------------------------------------------------------------------------------------|----------------------------------------------------------------------------------------------------|
| 92990-06600-00  | OEM: This part number is among the Top 100 Most Popular Marine Maintenance Parts as of March 2014. |

©2014 Yamaha Motor Corporation, U.S.A. All rights reserved.

15SD 1990 / INTAKE CARBURETOR



©2014 Yamaha Motor Corporation, U.S.A. All rights reserved.

## Part List




15SD 1990 / INTAKE CARBURETOR

| REF - NO | PART NUMBER     | PART NAME                      | QUANTITY | REMARKS |
|----------|-----------------|--------------------------------|----------|---------|
| 1        | 6E7-13610-71-00 | REED VALVE ASSEMBLY            | 1        | UR      |
| 1        | 6E8-13610-01-00 | REED VALVE ASSEMBLY            | 1        | UR      |
| 2        | 6E7-W0004-70-00 | .REED SET                      | 1        | UR      |
| 2        | 682-W0004-00-00 | .REED SET                      | 1        | UR      |
| 3        | 682-13621-00-00 | GASKET, VALVE SEAT (9.9 MODEL) | 1        |         |
| 4        | 677-14198-00-00 | GASKET                         | 1        |         |
| 5        | 6E7-13625-00-00 | SPACER, REED VALVE             | 1        |         |
| 6        | 6E7-13588-01-00 | NUT                            | 1        |         |
| 7        | 97013-06012-00  | BOLT                           | 1        |         |
| 8        | 92990-06600-00  | WASHER, PLATE                  | 1        |         |
| 9        | 97313-06016-00  | BOLT, HEXAGON                  | 4        |         |
| 10       | 92990-06600-00  | WASHER, PLATE                  | 4        |         |
| 11       | 6E7-14301-74-00 | CARBURETOR ASSEMBLY 1          | 1        | UR      |
| 11       | 6E8-14301-05-00 | CARBURETOR ASSEMBLY 1          | 1        | UR      |
| 12       | 6E7-14342-26-00 | .JET, PILOT #52 (#52)          | 1        | UR      |
| 12       | 6E7-14342-28-00 | .JET, PILOT (# 56)             | 1        | UR      |
| 13       | 6E7-14341-70-00 | .NOZZLE, MAIN                  | 1        | UR      |
| 13       | 6E8-14341-00-00 | .NOZZLE, MAIN                  | 1        | UR      |
| 14       | 6E8-14390-12-00 | .NEEDLE VALVE ASSEMBLY         | 1        |         |
| 15       | 367-14195-00-00 | .GASKET                        | 1        |         |
| 16       | 367-14396-00-00 | .PIPE                          | 1        |         |
| 17       | 6E7-14385-00-00 | .FLOAT                         | 1        |         |
| 18       | 647-14386-10-00 | .PIN, FLOAT                    | 1        |         |
| 19       | 677-14384-01-00 | .GASKET, FLOAT CHAMBER         | 1        |         |
| 20       | 6E7-14381-00-00 | .BODY, FLOAT CHAMBER           | 1        |         |
| 21       | 677-14343-52-00 | .JET, MAIN (#104)              | 1        | UR      |
| 21       | 677-14343-68-00 | .JET, MAIN (#136)              | 1        | UR      |
| 22       | 1J2-14398-00-00 | .GASKET                        | 1        |         |
| 23       | 97890-04005-00  | .SCREW, PAN HEAD               | 1        |         |
| 24       | 655-14398-00-00 | .GASKET                        | 1        |         |
| 25       | 647-14323-00-00 | .SCREW, AIR ADJUSTING          | 1        |         |
| 26       | 646-14212-01-00 | .SPRING, PILOT ADJUSTING       | 2        |         |
| 27       | 98503-04014-00  | .SCREW, PAN HEAD               | 1        |         |
| 28       | 647-14326-00-00 | .SCREW, GUIDE                  | 1        |         |
| 29       | 682-41210-00-00 | .ACCEL ARM ASSEMBLY            | 1        |         |
| 30       | 677-14327-00-00 | .SCREW                         | 1        |         |
| 31       | 682-41291-00-00 | .BUSHING                       | 1        |         |
| 32       | 677-41226-00-00 | .END, THROTTLE LEVER           | 1        |         |
| 33       | 682-41219-00-00 | .ROD                           | 1        |         |
| 34       | 661-41262-02-00 | .JOINT, CHOKE LEVER            | 1        |         |
| 35       | 6E7-14157-00-00 | .COVER, MIXING                 | 1        |         |
| 36       | 6E7-14227-00-00 | .GASKET                        | 1        |         |
| 37       | 98580-04008-00  | .SCREW, PAN HEAD               | 2        |         |
| 38       | 677-24434-02-00 | .GASKET, BODY                  | 1        |         |
| 39       | 677-24411-02-00 | .DIAPHRAGM                     | 1        |         |
| 40       | 6A0-24421-01-00 | .VALVE, CHECK                  | 2        |         |
| 41       | 6E7-14325-00-00 | .SCREW, PAN HEAD               | 2        |         |
| 42       | 95380-03600-00  | .NUT                           | 2        |         |
| 43       | 682-24412-00-00 | .BODY 1                        | 1        |         |
| 44       | 677-24435-02-00 | .GASKET, BODY 2                | 1        |         |
| 45       | 677-24471-01-00 | .DIAPHRAGM                     | 1        |         |
| 46       | 677-24413-01-00 | .BODY 2                        | 1        |         |
| 47       | 677-24444-01-00 | .SCREW                         | 4        |         |
| 48       | 92901-04100-00  | .WASHER, SPRING                | 2        |         |
| 49       | 95380-06700-00  | NUT                            | 2        |         |
| 50       | 92990-06600-00  | WASHER, PLATE                  | 2        |         |
| 51       | 682-14417-02-00 | COVER 1                        | 1        |         |
| 52       | 682-14418-01-00 | COVER 2                        | 1        |         |
| 53       | 682-14416-00-00 | GASKET, AIR CLEANER            | 1        |         |

|    |                 |                 |   |  |
|----|-----------------|-----------------|---|--|
| 54 | 97780-50514-00  | SCREW, TAPPING  | 2 |  |
| 55 | 682-14483-A0-00 | GASKET          | 1 |  |
| 56 | 98580-05530-00  | SCREW, PAN HEAD | 2 |  |
| 57 | 92990-05600-00  | WASHER, PLATE   | 2 |  |
| 58 | 682-41271-00-00 | KNOB, CHOKE     | 1 |  |
| 59 | 682-41273-00-00 | GROMMET         | 1 |  |
| 60 | 682-41252-01-00 | LEVER, CHOKE    | 1 |  |
| 61 | 682-41267-00-00 | BUSHING, JOINT  | 1 |  |
| 62 | 682-41263-00-00 | PIN, CHOKELEVER | 1 |  |
| 63 | 90468-10005-00  | CLIP            | 1 |  |
| 64 | 90116-06130-00  | BOLT, STUD      | 1 |  |
| 65 | 90116-06M04-00  | BOLT, STUD      | 1 |  |

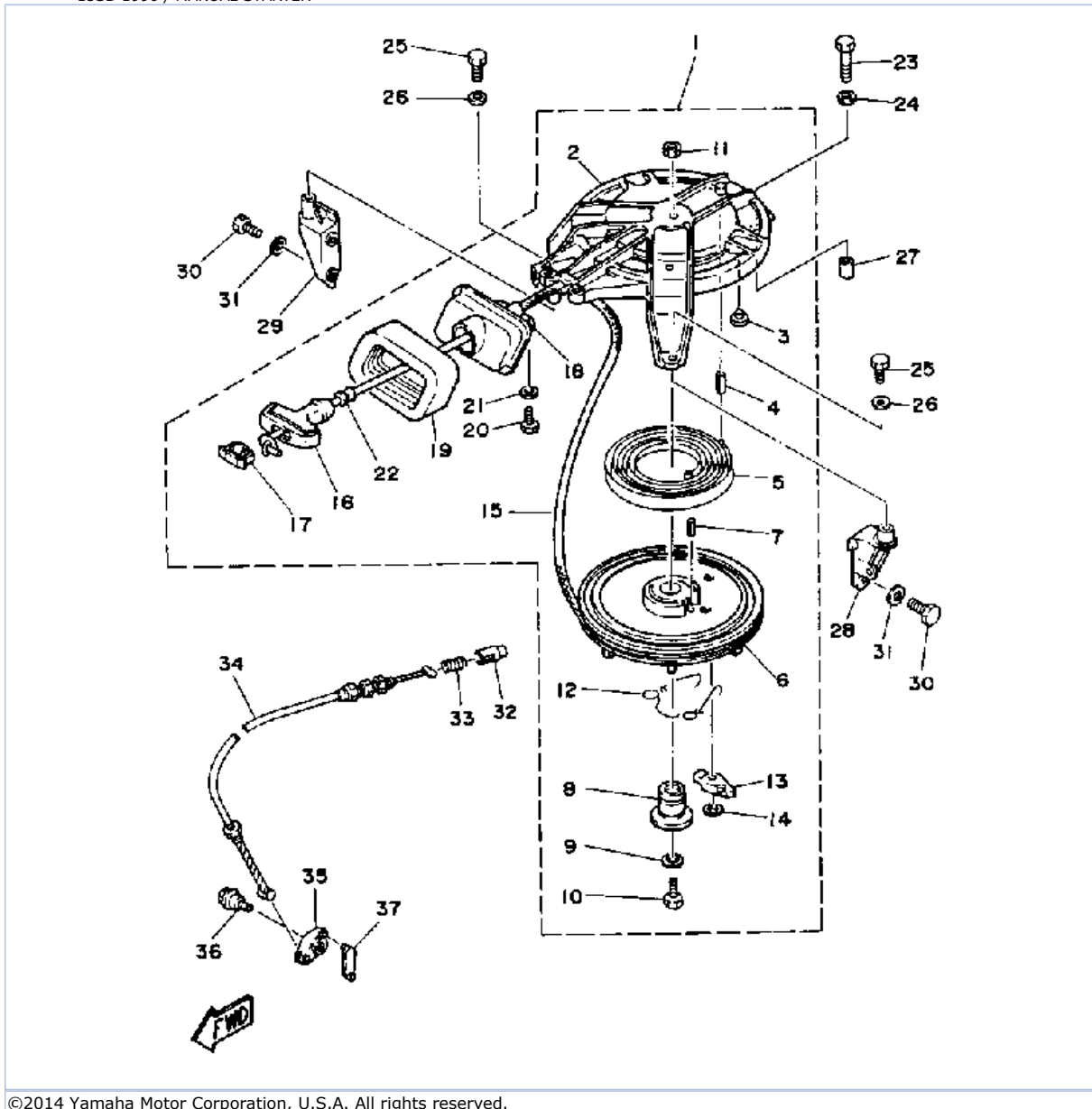
## Part Notes

15SD 1990 / INTAKE CARBURETOR

| PART NUMBER    |                                                                                   | NOTE TEXT                                                                                          |
|----------------|-----------------------------------------------------------------------------------|----------------------------------------------------------------------------------------------------|
| 92990-06600-00 |  | OEM: This part number is among the Top 100 Most Popular Marine Maintenance Parts as of March 2014. |
| 92990-06600-00 |  | OEM: This part number is among the Top 100 Most Popular Marine Maintenance Parts as of March 2014. |
| 92990-06600-00 |  | OEM: This part number is among the Top 100 Most Popular Marine Maintenance Parts as of March 2014. |

©2014 Yamaha Motor Corporation, U.S.A. All rights reserved.

15SD 1990 / MANUAL STARTER



©2014 Yamaha Motor Corporation, U.S.A. All rights reserved.







## Part List

15SD 1990 / MANUAL STARTER

| REF - NO | PART NUMBER     | PART NAME                 | QUANTITY | REMARKS |
|----------|-----------------|---------------------------|----------|---------|
| 1        | 6E7-15710-04-94 | STARTER ASSEMBLY          | 1        |         |
| 2        | 682-15711-71-94 | .CASE, STARTER            | 1        |         |
| 3        | 648-15773-00-00 | .STAY 3                   | 1        |         |
| 4        | 91690-40016-00  | .PIN, SPRING              | 1        |         |
| 5        | 90510-08M04-00  | .SPRING, SPIRAL           | 1        |         |
| 6        | 677-15714-00-94 | .DRUM, SHEAVE             | 1        |         |
| 7        | 91690-40020-00  | .PIN, SPRING              | 1        |         |
| 8        | 677-15717-01-00 | .SHAFT, STARTER           | 1        |         |
| 9        | 90201-065F3-00  | .WASHER, PLATE            | 1        |         |
| 10       | 97313-06030-00  | .BOLT                     | 1        |         |
| 11       | 95380-06600-00  | .NUT, HEXAGON             | 1        |         |
| 12       | 677-15705-02-00 | .SPRING, DRIVE PAWL       | 1        |         |
| 13       | 677-15741-01-00 | .PAWL, DRIVE              | 1        |         |
| 14       | 93430-06M02-00  | .CIRCLIP                  | 1        |         |
| 15       | 90580-50M01-00  | .ROPE, STARTER            | 1        |         |
| 16       | 689-15755-01-00 | .HANDLE, STARTER          | 1        |         |
| 17       | 6F5-15779-02-00 | .COVER                    | 1        |         |
| 18       | 6E7-15758-00-94 | .GUIDE, ROPE              | 1        |         |
| 19       | 6E7-15761-00-00 | .SEAL, RUBBER 1           | 1        |         |
| 20       | 97395-06016-00  | .BOLT, HEX                | 2        |         |
| 21       | 92990-06600-00  | .WASHER, PLATE            | 2        |         |
| 22       | 689-15789-00-00 | .DAMPER                   | 1        |         |
| 23       | 97395-06035-00  | BOLT, HEXAGON             | 1        |         |
| 24       | 92990-06600-00  | WASHER, PLATE             | 1        |         |
| 25       | 97395-06020-00  | BOLT, HEXAGON             | 2        |         |
| 26       | 92990-06600-00  | WASHER, PLATE             | 2        |         |
| 27       | 99530-10014-00  | PIN, DOWEL                | 1        |         |
| 28       | 6E7-15771-01-94 | STAY 1                    | 1        |         |
| 29       | 6E7-15771-80-94 | STAY 1                    | 1        |         |
| 30       | 97313-06018-00  | BOLT                      | 4        |         |
| 31       | 92990-06600-00  | WASHER, PLATE             | 4        |         |
| 32       | 656-15748-00-00 | PLUNGER, STARTER STOP     | 1        |         |
| 33       | 90501-10227-00  | SPRING, COMPRESSION       | 1        |         |
| 34       | 682-15770-00-00 | CABLE COMP., STARTER STOP | 1        |         |
| 35       | 682-15746-00-00 | ARM                       | 1        |         |
| 36       | 90109-06M04-00  | BOLT                      | 1        |         |
| 37       | 682-15747-00-00 | LINK                      | 1        |         |

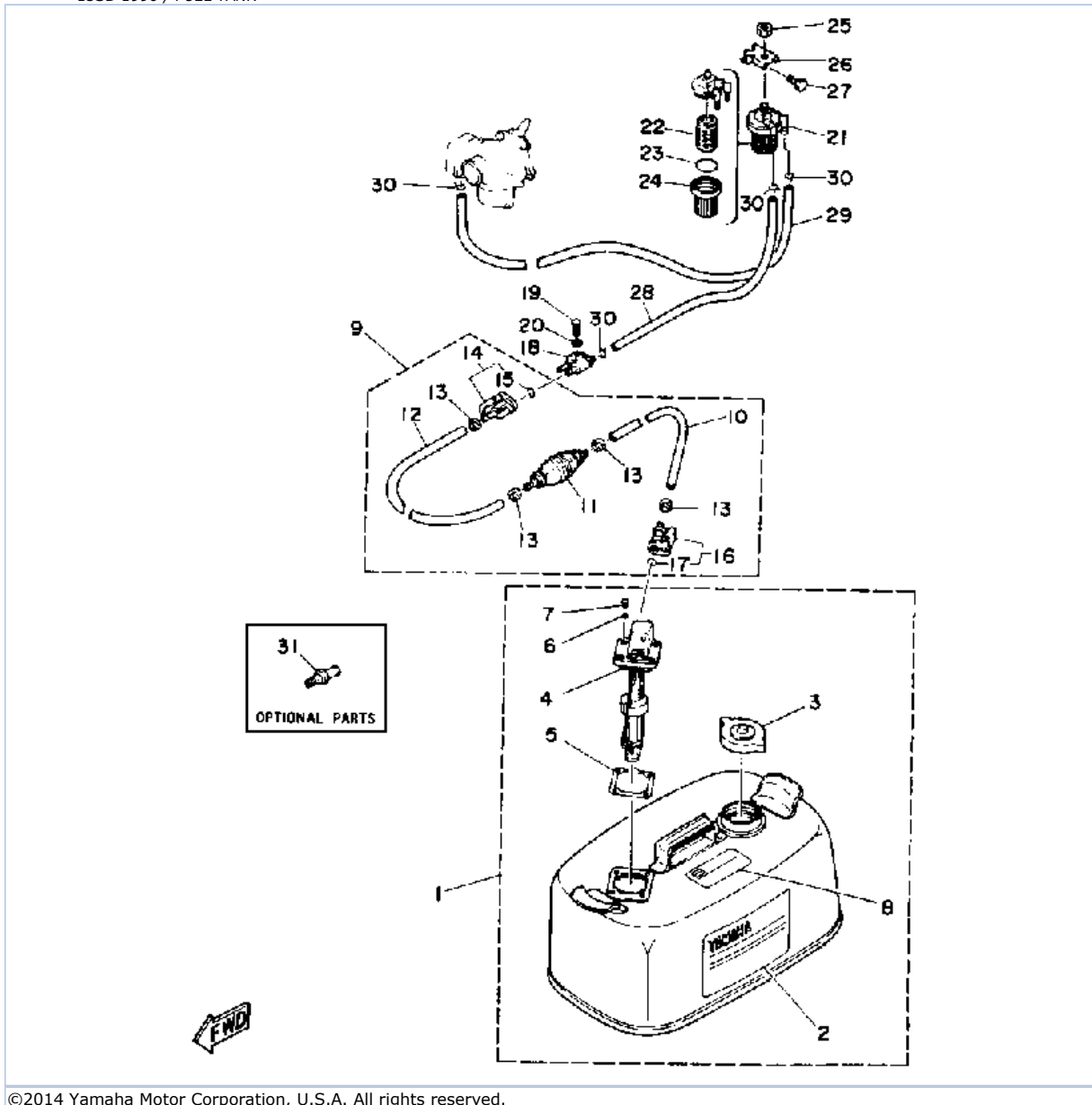
## Part Notes

15SD 1990 / MANUAL STARTER

| PART NUMBER    |                                                                                     | NOTE TEXT                                                                                          |
|----------------|-------------------------------------------------------------------------------------|----------------------------------------------------------------------------------------------------|
| 92990-06600-00 |  | OEM: This part number is among the Top 100 Most Popular Marine Maintenance Parts as of March 2014. |
| 92990-06600-00 |  | OEM: This part number is among the Top 100 Most Popular Marine Maintenance Parts as of March 2014. |
| 92990-06600-00 |  | OEM: This part number is among the Top 100 Most Popular Marine Maintenance Parts as of March 2014. |
| 92990-06600-00 |  | OEM: This part number is among the Top 100 Most Popular Marine Maintenance Parts as of March 2014. |

©2014 Yamaha Motor Corporation, U.S.A. All rights reserved.

15SD 1990 / FUEL TANK



©2014 Yamaha Motor Corporation, U.S.A. All rights reserved.


## Part List

15SD 1990 / FUEL TANK

| REF<br>-<br>NO | PART<br>NUMBER  | PART NAME               | QUANTITY | REMARKS |
|----------------|-----------------|-------------------------|----------|---------|
| 1              | 6Y1-W2420-42-24 | FUEL TANK ASSEMBLY      | 1        |         |
| 2              | 6Y1-24244-20-00 | .GRAPHIC, SIDE          | 1        |         |
| 3              | 6Y1-24610-00-00 | .CAP ASSEMBLY           | 1        |         |
| 4              | 6Y1-24260-02-00 | .FUEL METER ASSEMBLY    | 1        |         |
| 5              | 6Y1-24268-00-00 | .GASKET, FUEL METER     | 1        |         |
| 6              | 6Y1-24329-00-00 | .SEAL                   | 4        |         |
| 7              | 98586-05016-00  | .SCREW, PAN HEAD        | 4        |         |
| 8              | 6Y1-24255-40-00 | .GRAPHIC, FUEL TNK 8    | 1        |         |
| 9              | 6Y1-24306-51-00 | FUEL PIPE COMP. 1       | 1        |         |
| 10             | 90445-11M06-00  | .HOSE (L2050)           | 1        |         |
| 11             | 6Y1-24360-51-00 | .PRIMER PUMP ASSY       | 1        |         |
| 12             | 90445-11M05-00  | .HOSE (L850)            | 1        |         |
| 13             | 650-24351-51-00 | .BAND 1                 | 4        |         |
| 14             | 6G1-24305-01-00 | .FUEL PIPE JOINT COMP 2 | 1        |         |
| 15             | 93210-08287-00  | ..O-RING                | 1        |         |
| 16             | 6Y1-24305-02-00 | .FUEL PIPE JOINT COMP 2 | 1        |         |
| 17             | 93210-08287-00  | ..O-RING                | 1        |         |
| 18             | 6G1-24304-02-00 | FUEL PIPE JOINT COMP. 1 | 1        |         |
| 19             | 97395-06020-00  | BOLT, HEXAGON           | 1        |         |
| 20             | 92990-06600-00  | WASHER, PLATE           | 1        |         |
| 21             | 655-24560-01-00 | FILTER ASSEMBLY         | 1        |         |
| 22             | 6F5-24563-00-00 | .ELEMENT, FILTER        | 1        |         |
| 23             | 93210-37M25-00  | .O-RING                 | 1        |         |
| 24             | 655-24521-01-00 | .CUP, FILTER            | 1        |         |
| 25             | 95380-08600-00  | NUT                     | 1        |         |
| 26             | 682-24566-00-00 | BRACKET, FILTER         | 1        |         |
| 27             | 97313-06010-00  | BOLT, HEXAGON           | 1        |         |
| 28             | 90445-09M53-00  | HOSE                    | 1        |         |
| 29             | 90445-09100-00  | HOSE (L260)             | 1        |         |
| 30             | 90467-08004-00  | CLIP                    | 4        |         |
| 31             | ABB-FLUSH-JD-00 | JET DRIVE FLUSH         | 1        | AP      |

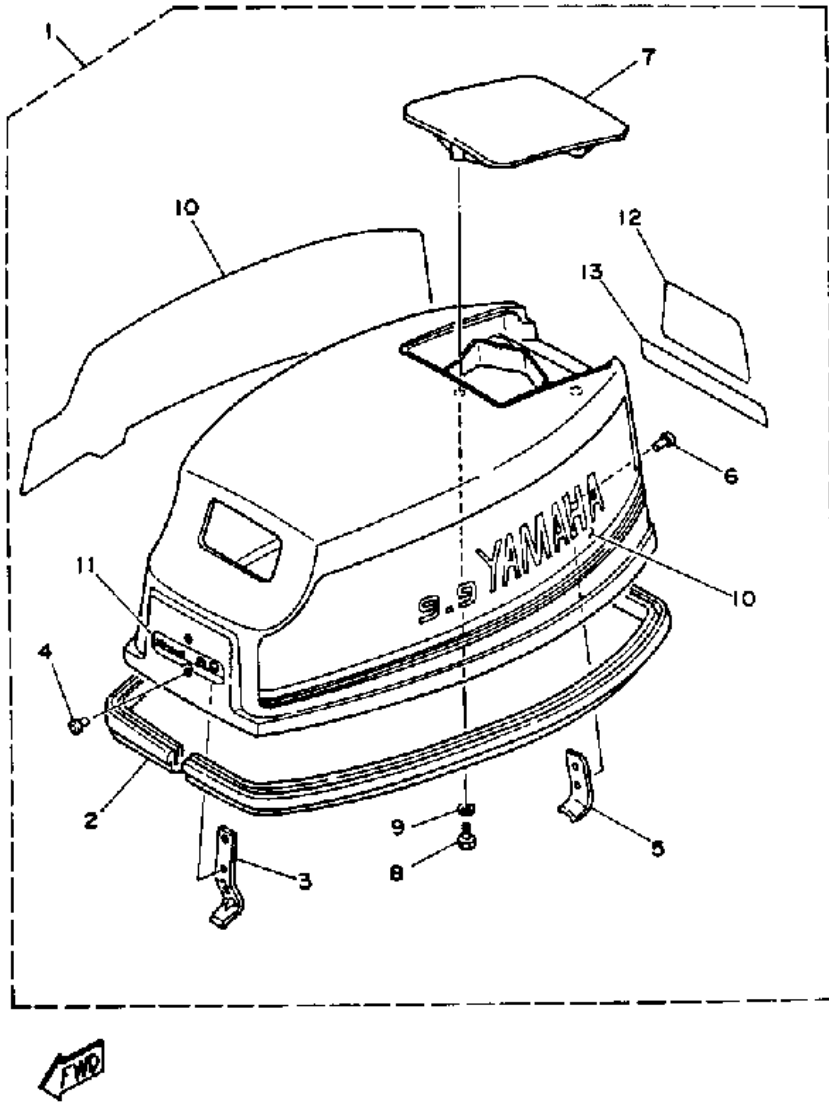
## Part Notes

15SD 1990 / FUEL TANK

| PART NUMBER                                                                                        | NOTE TEXT                                                                                          |
|----------------------------------------------------------------------------------------------------|----------------------------------------------------------------------------------------------------|
| 92990-06600-00  | OEM: This part number is among the Top 100 Most Popular Marine Maintenance Parts as of March 2014. |

©2014 Yamaha Motor Corporation, U.S.A. All rights reserved.

15SD 1990 / TOP COWLING



©2014 Yamaha Motor Corporation, U.S.A. All rights reserved.


## Part List

15SD 1990 / TOP COWLING

| REF - NO | PART NUMBER     | PART NAME            | QUANTITY | REMARKS      |
|----------|-----------------|----------------------|----------|--------------|
| 1        | 6E7-42610-13-EK | TOP COWLING ASSEMBLY | 1        | UR 9.9 MODEL |
| 1        | 6E8-42610-13-EK | TOP COWLING ASSEMBLY | 1        | UR 15 MODEL  |
| 2        | 682-42615-00-00 | .SEAL                | 1        |              |
| 3        | 6E7-42651-02-00 | .HOOK                | 1        |              |
| 4        | 90266-04M00-00  | .RIVET               | 2        |              |
| 5        | 6E7-42652-00-00 | .HOOK                | 1        |              |
| 6        | 90266-04M04-00  | .RIVET               | 2        |              |
| 7        | 6E7-42613-00-EK | .MOLDING, AIR DUCT   | 1        |              |
| 8        | 97395-06016-00  | .BOLT, HEX           | 3        |              |
| 9        | 92990-06600-00  | .WASHER, PLATE       | 3        |              |
| 10       | 6E8-W0070-10-00 | .GRAPHIC SET         | 1        | UR 15 MODEL  |
| 10       | 6E7-W0070-12-00 | .GRAPHIC SET         | 1        | UR 9.9 MODEL |
| 11       | 6E8-42677-10-00 | .GRAPHIC, FRONT      | 1        | UR 15 MODEL  |
| 11       | 6E7-42677-10-00 | .GRAPHIC, FRONT      | 1        | UR 9.9 MODEL |
| 12       | 6E8-42678-11-00 | .GRAPHIC, REAR       | 1        | UR 15 MODEL  |
| 12       | 6E7-42678-11-00 | .GRAPHIC, REAR       | 1        | UR 9.9 MODEL |
| 13       | 6E7-42682-10-00 | MARK, COWLING 2      | 1        |              |

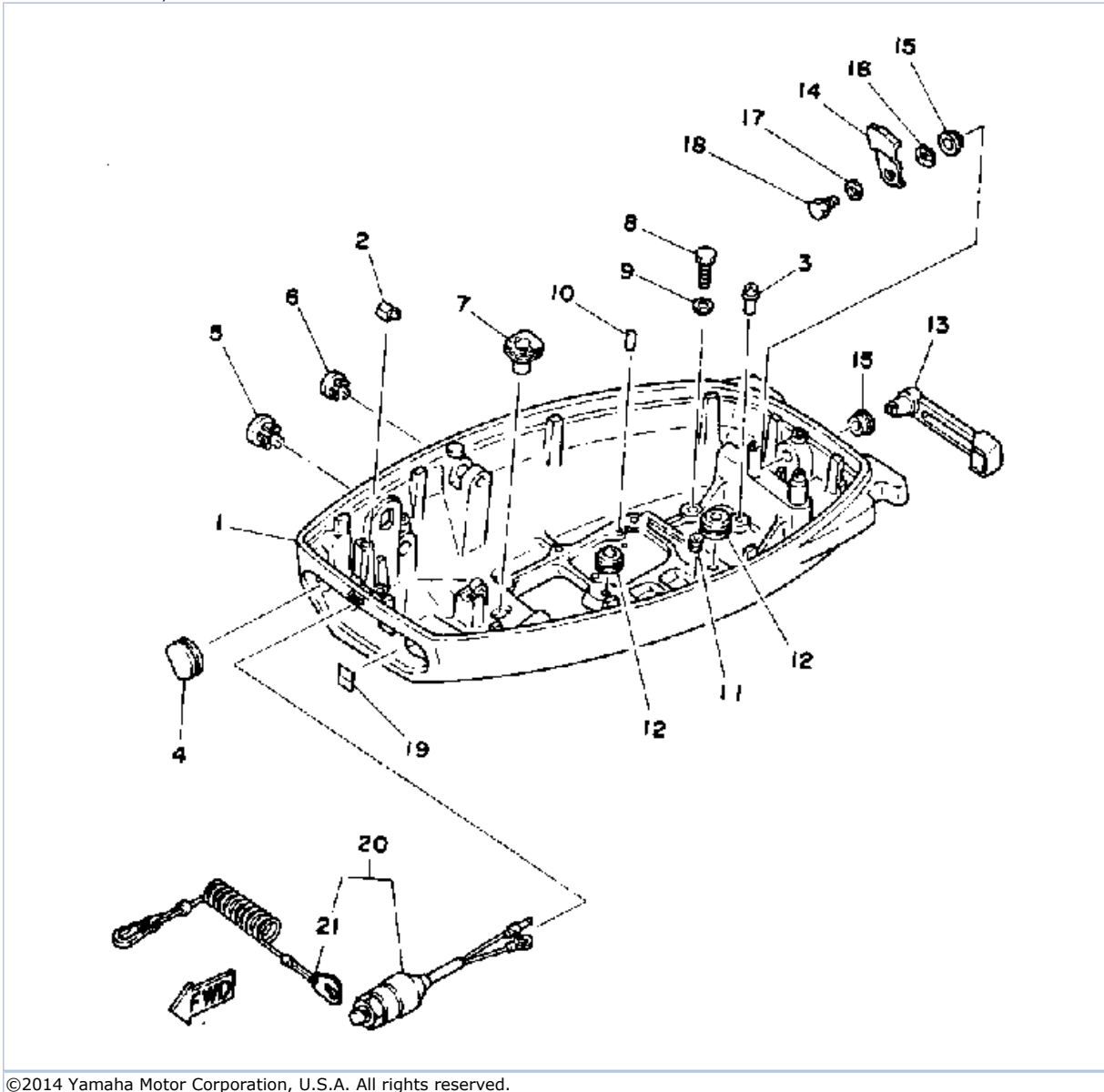
## Part Notes

15SD 1990 / TOP COWLING

| PART NUMBER                                                                                      | NOTE TEXT                                                                                          |
|--------------------------------------------------------------------------------------------------|----------------------------------------------------------------------------------------------------|
| 92990-06600-00  | OEM: This part number is among the Top 100 Most Popular Marine Maintenance Parts as of March 2014. |

©2014 Yamaha Motor Corporation, U.S.A. All rights reserved.

15SD 1990 / BOTTOM COWLING



©2014 Yamaha Motor Corporation, U.S.A. All rights reserved.



## Part List

15SD 1990 / BOTTOM COWLING

| REF - NO | PART NUMBER     | PART NAME                   | QUANTITY | REMARKS |
|----------|-----------------|-----------------------------|----------|---------|
| 1        | 682-42711-03-EK | BOTTOM COWLING              | 1        |         |
| 2        | 6K4-42629-00-00 | SEAL                        | 1        |         |
| 3        | 652-24461-00-00 | PIPE, JOINT 4               | 1        |         |
| 4        | 682-42724-00-00 | GROMMET                     | 1        |         |
| 5        | 682-42725-02-00 | GROMMET                     | 1        |         |
| 6        | 682-42726-00-00 | GROMMET                     | 1        |         |
| 7        | 682-42727-00-00 | GROMMET                     | 1        |         |
| 8        | 97313-06020-00  | BOLT, HEXAGON               | 2        |         |
| 9        | 92990-06600-00  | WASHER, PLATE               | 2        |         |
| 10       | 93606-12019-00  | .PIN, DOWEL                 | 2        |         |
| 11       | 682-44366-00-00 | DAMPER, WATER SEAL          | 1        |         |
| 12       | 682-44367-00-00 | DAMPER, WATER SEAL          | 2        |         |
| 13       | 682-42815-00-EK | LEVER, CLAMP 1              | 1        |         |
| 14       | 6E7-42816-00-00 | LEVER, CLAMP                | 1        |         |
| 15       | 90386-12069-00  | BUSH                        | 2        |         |
| 16       | 90206-12052-00  | WASHER, WAVE                | 1        |         |
| 17       | 90201-06M02-00  | WASHER, PLATE               | 1        |         |
| 18       | 97313-06010-00  | BOLT, HEXAGON               | 1        |         |
| 19       | 6A1-42792-01-00 | MARK (100:1)                | 1        |         |
| 20       | 6E9-82575-01-00 | ENGINE STOP SWITCH ASSEMBLY | 1        |         |
| 21       | 682-82556-00-00 | .LANYARD, STOP SWITCH       | 1        |         |

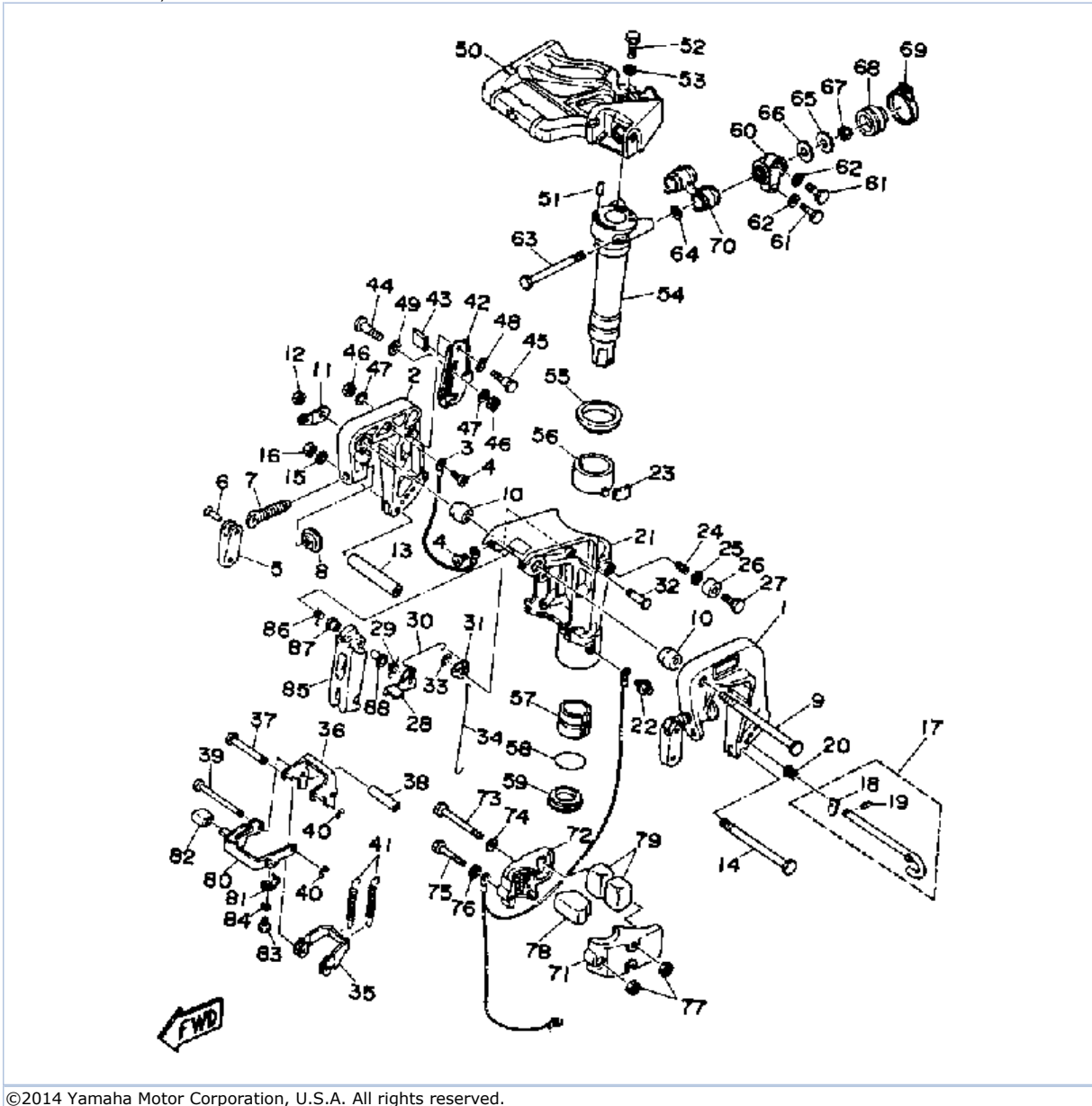
## Part Notes

15SD 1990 / BOTTOM COWLING

| PART NUMBER     |                                                                                     | NOTE TEXT                                                                                          |
|-----------------|-------------------------------------------------------------------------------------|----------------------------------------------------------------------------------------------------|
| 92990-06600-00  |  | OEM: This part number is among the Top 100 Most Popular Marine Maintenance Parts as of March 2014. |
| 682-82556-00-00 |  | OEM: This part number is among the Top 100 Most Popular Marine Maintenance Parts as of March 2014. |

©2014 Yamaha Motor Corporation, U.S.A. All rights reserved.

15SD 1990 / BRACKET



©2014 Yamaha Motor Corporation, U.S.A. All rights reserved.



## Part List






15SD 1990 / BRACKET

| REF - NO | PART NUMBER     | PART NAME             | QUANTITY | REMARKS         |
|----------|-----------------|-----------------------|----------|-----------------|
| 1        | 682-43111-02-EK | BRACKET, CLAMP        | 1        |                 |
| 2        | 682-43112-03-EK | BRACKET, CLAMP        | 1        |                 |
| 3        | 6E5-82148-00-00 | WIRE, LEAD 4          | 1        |                 |
| 4        | 98580-06008-00  | SCREW, PAN HEAD       | 2        |                 |
| 5        | 616-43118-00-EK | HANDLE, TRANSOM CLIP  | 2        |                 |
| 6        | 90243-04M00-00  | PIN                   | 2        |                 |
| 7        | 90149-14030-00  | SCREW, SPECL SHAPE    | 2        |                 |
| 8        | 648-43114-01-00 | PAD, TRANSOM CLAMP    | 2        |                 |
| 9        | 90101-10M01-00  | BOLT                  | 1        |                 |
| 10       | 626-43136-00-00 | PIECE, FRICTION       | 2        |                 |
| 11       | 6E7-43113-01-00 | PLATE, CLAMP BRACKET  | 1        |                 |
| 12       | 90185-10051-00  | NUT, SELF-LOCKING     | 1        |                 |
| 13       | 90387-06M13-00  | COLLAR                | 1        |                 |
| 14       | 90101-06M29-00  | BOLT                  | 1        |                 |
| 15       | 92990-06600-00  | WASHER, PLATE         | 1        |                 |
| 16       | 95380-06700-00  | NUT                   | 1        |                 |
| 17       | 689-43160-00-00 | TILT ROD ASSY         | 1        |                 |
| 18       | 689-43165-00-00 | .PLATE, TILT LOCK     | 1        |                 |
| 19       | 91690-30008-00  | .PIN, SPRING          | 1        |                 |
| 20       | 90502-10M07-00  | SPRING, CONICAL       | 1        |                 |
| 21       | 682-43311-04-EK | BRACKET, SWIVEL 1     | 1        |                 |
| 22       | 93700-06M03-00  | NIPPLE, GREASE        | 1        |                 |
| 22       | 93700-06M03-00  | NIPPLE, GREASE        | 1        |                 |
| 23       | 648-42528-00-00 | PLATE, FRICTION       | 1        |                 |
| 24       | 90501-18M00-00  | SPRING, COMPRESSION   | 1        |                 |
| 25       | 92990-08600-00  | ..WASHER, PLATE       | 1        |                 |
| 26       | 676-43373-00-00 | SEAL, DAMPER          | 1        |                 |
| 27       | 97395-08025-00  | BOLT                  | 1        |                 |
| 28       | 682-43631-00-00 | LEVER, TILT           | 1        |                 |
| 29       | 90508-12M03-00  | SPRING, TORSION       | 1        |                 |
| 30       | 682-43616-00-00 | ROD, TILT LOCK        | 1        |                 |
| 31       | 682-43641-00-00 | LEVER, TILT           | 1        |                 |
| 32       | 90249-06M23-00  | PIN                   | 1        |                 |
| 33       | 99080-05600-00  | CIRCLIP               | 1        |                 |
| 34       | 682-43617-00-00 | ROD, TILT LOCK        | 1        |                 |
| 35       | 682-43614-00-00 | PLATE, TILT LOCK      | 1        |                 |
| 36       | 682-43615-01-00 | PLATE, TILT LOCK      | 1        |                 |
| 37       | 682-43611-01-00 | SHAFT, TILT LOCK      | 1        |                 |
| 38       | 90387-06M20-00  | COLLAR                | 1        |                 |
| 39       | 682-43659-00-00 | SHAFT, REVERSE LOCK   | 1        |                 |
| 40       | 99080-05600-00  | CIRCLIP               | 2        |                 |
| 41       | 90506-26M01-00  | SPRING, TENSION       | 2        | UR              |
| 41       | 90506-26M07-00  | SPRING, TENSION       | 2        | UR FOR DUAL THR |
| 42       | 6E7-43181-01-00 | LEVER, TILT STOP      | 1        |                 |
| 43       | 682-43318-01-00 | COVER                 | 1        |                 |
| 44       | 90109-06M03-00  | BOLT                  | 1        |                 |
| 45       | 90109-06M05-00  | BOLT                  | 1        |                 |
| 46       | 95680-06100-00  | NUT, U                | 2        |                 |
| 47       | 92990-06600-00  | WASHER, PLATE         | 2        |                 |
| 48       | 90206-10M15-00  | WASHER, WAVE          | 1        |                 |
| 49       | 682-43339-01-00 | WASHER                | 1        |                 |
| 50       | 6K4-42511-01-EK | BRACKET, STEERING     | 1        |                 |
| 51       | 93606-12019-00  | .PIN, DOWEL           | 2        |                 |
| 52       | 97395-06025-00  | BOLT                  | 3        |                 |
| 53       | 92990-06600-00  | WASHER, PLATE         | 3        |                 |
| 54       | 682-42521-00-94 | SHAFT, STEERING PIVOT | 1        |                 |
| 55       | 90209-52M01-00  | WASHER                | 1        |                 |
| 56       | 682-42537-00-00 | BUSHING, PIVOT SHAFT  | 1        |                 |
| 57       | 90386-40M09-00  | BUSH                  | 1        |                 |
| 58       | 93210-40M10-00  | O-RING                | 1        |                 |

|    |                 |                                        |   |  |
|----|-----------------|----------------------------------------|---|--|
| 59 | 90386-40M08-00  | BUSH                                   | 1 |  |
| 60 | 682-44514-00-94 | MOUNT DAMPER, UPPER SIDE               | 2 |  |
| 61 | 97395-06025-00  | BOLT                                   | 4 |  |
| 62 | 92990-06600-00  | WASHER, PLATE                          | 4 |  |
| 63 | 90101-08M30-00  | BOLT                                   | 2 |  |
| 64 | 90201-08M12-00  | .WASHER, PLATE                         | 2 |  |
| 65 | 90201-08M13-00  | WASHER, PLATE                          | 2 |  |
| 66 | 90202-13M02-00  | WASHER, PLATE                          | 2 |  |
| 67 | 95780-08300-00  | ..NUT, FLANGE                          | 2 |  |
| 68 | 682-44522-00-00 | SEAL                                   | 2 |  |
| 69 | 90460-42M01-00  | CLAMP, HOSE                            | 2 |  |
| 70 | 682-44521-01-00 | SEAL                                   | 1 |  |
| 71 | 682-44551-01-EK | HOUSING, LWR,<br>MOUNTLOWER MOUNT      | 1 |  |
| 72 | 682-44552-01-EK | HOUSING, LWR.MNT.LOWER<br>MOUNT RUBBER | 1 |  |
| 73 | 97395-08085-00  | BOLT                                   | 2 |  |
| 74 | 92990-08600-00  | ..WASHER, PLATE                        | 2 |  |
| 75 | 97395-08055-00  | BOLT                                   | 1 |  |
| 76 | 92990-08600-00  | ..WASHER, PLATE                        | 1 |  |
| 77 | 95380-08700-00  | NUT                                    | 3 |  |
| 78 | 682-44557-00-00 | MOUNT DAMPER, LOWER FRONT              | 1 |  |
| 79 | 682-44555-00-00 | MOUNT DAMPER, LOWER SIDE               | 2 |  |
| 80 | 682-43681-01-00 | LEVER, SHALLOW WATER DRIVE             | 1 |  |
| 81 | 682-43643-00-00 | SPRING                                 | 1 |  |
| 82 | 682-43318-01-00 | COVER                                  | 1 |  |
| 83 | 97395-06008-00  | BOLT, HEXAGON                          | 1 |  |
| 84 | 92990-06600-00  | WASHER, PLATE                          | 1 |  |
| 85 | 682-42731-01-EK | CARRYING, HANDLE                       | 1 |  |
| 86 | 90508-16M04-00  | SPRING, TORSION                        | 1 |  |
| 87 | 90386-10025-00  | .BUSH                                  | 1 |  |
| 88 | 90386-10045-00  | BUSH                                   | 1 |  |

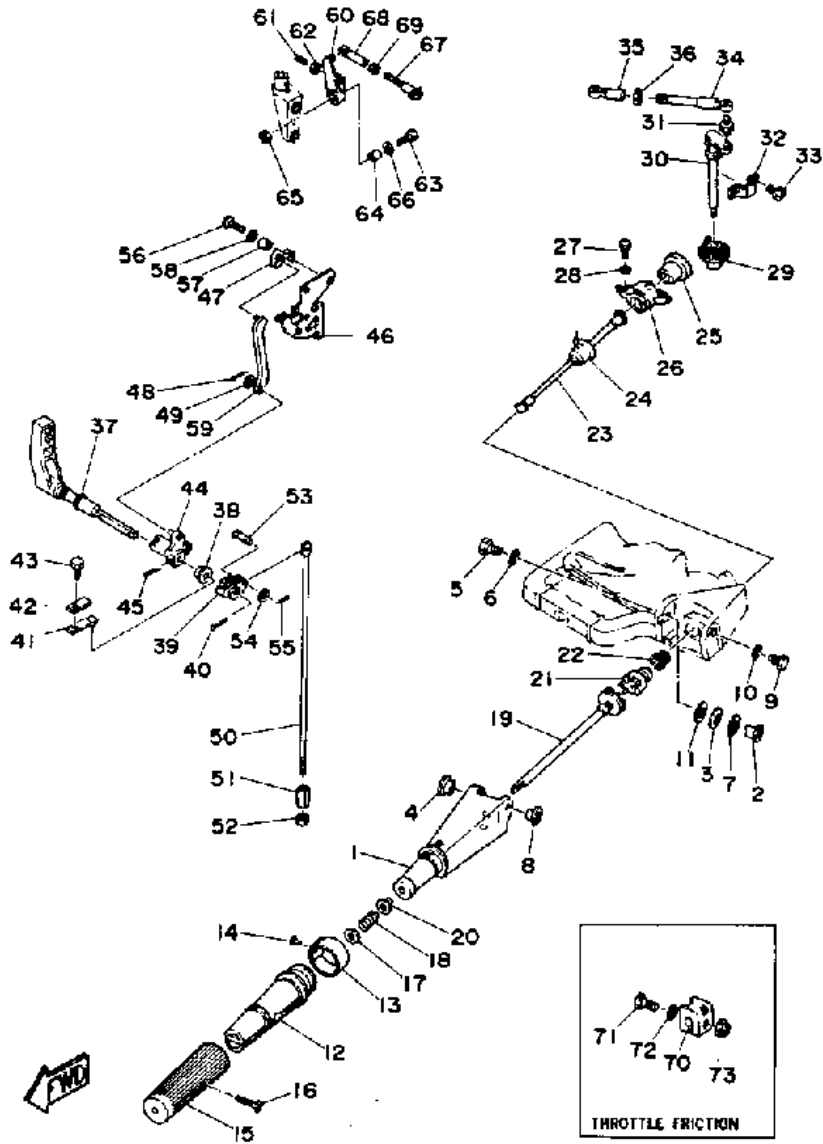
## Part Notes

15SD 1990 / BRACKET

| PART NUMBER    |                                                                                     | NOTE TEXT                                                                                          |
|----------------|-------------------------------------------------------------------------------------|----------------------------------------------------------------------------------------------------|
| 92990-06600-00 |  | OEM: This part number is among the Top 100 Most Popular Marine Maintenance Parts as of March 2014. |
| 92990-06600-00 |  | OEM: This part number is among the Top 100 Most Popular Marine Maintenance Parts as of March 2014. |
| 92990-06600-00 |  | OEM: This part number is among the Top 100 Most Popular Marine Maintenance Parts as of March 2014. |
| 92990-06600-00 |  | OEM: This part number is among the Top 100 Most Popular Marine Maintenance Parts as of March 2014. |
| 92990-06600-00 |  | OEM: This part number is among the Top 100 Most Popular Marine Maintenance Parts as of March 2014. |

©2014 Yamaha Motor Corporation, U.S.A. All rights reserved.

15SD 1990 / CONTROL ENGINE



©2014 Yamaha Motor Corporation, U.S.A. All rights reserved.

## Part List




15SD 1990 / CONTROL ENGINE

| REF<br>-<br>NO | PART<br>NUMBER  | PART NAME                         | QUANTITY | REMARKS |
|----------------|-----------------|-----------------------------------|----------|---------|
| 1              | 6E7-42111-00-EK | HANDLE, STEERING                  | 1        |         |
| 2              | 682-42123-02-00 | BOLT, HANDLE JOINT                | 1        |         |
| 3              | 90206-12M06-00  | WASHER, WAVE                      | 1        |         |
| 4              | 90386-12M07-00  | BUSH                              | 1        |         |
| 5              | 97395-06025-00  | BOLT                              | 1        |         |
| 6              | 92990-06600-00  | WASHER, PLATE                     | 1        |         |
| 7              | 90201-12181-00  | WASHER, PLATE                     | 1        |         |
| 8              | 90386-06M06-00  | BUSH                              | 1        |         |
| 9              | 90109-08M01-00  | BOLT                              | 1        |         |
| 10             | 92990-08600-00  | ..WASHER, PLATE                   | 1        |         |
| 11             | 90202-12031-00  | WASHER, PLATE                     | 1        |         |
| 12             | 664-42119-00-00 | GRIP, STEERING HANDLE             | 1        |         |
| 13             | 6E8-42137-10-00 | INDICATOR, THROTTLE               | 1        |         |
| 14             | 90269-02M09-00  | RIVET                             | 1        |         |
| 15             | 6G1-42177-00-00 | RUBBER, HANDLE                    | 1        |         |
| 16             | 98680-05525-00  | SCREW.OVAL HEAD                   | 1        |         |
| 17             | 92990-10600-00  | WASHER, PLATE                     | 1        |         |
| 18             | 90501-23215-00  | SPRING, COMPRESSION               | 1        |         |
| 19             | 6E7-42141-00-94 | GEAR, KNEE 1                      | 1        |         |
| 20             | 90386-08032-00  | BUSH                              | 1        |         |
| 21             | 682-42142-01-00 | GEAR, KNEE 2                      | 1        |         |
| 22             | 90386-20M71-00  | BUSH                              | 1        |         |
| 23             | 682-42116-00-00 | SHAFT, STEERING HANDLE 2          | 1        |         |
| 24             | 682-42716-00-00 | RUBBER, SEAL 1                    | 1        |         |
| 25             | 682-42151-01-00 | PINION                            | 1        |         |
| 26             | 682-42171-01-00 | BUSHING                           | 1        |         |
| 27             | 97313-06016-00  | BOLT, HEXAGON                     | 2        |         |
| 28             | 92990-06200-00  | WASHER, PLAIN                     | 2        |         |
| 29             | 682-42152-01-00 | GEAR                              | 1        |         |
| 30             | 682-41631-00-94 | LEVER, MAGNETO CONTROL            | 1        |         |
| 31             | 663-85518-00-00 | JOINT, BALL                       | 1        |         |
| 32             | 682-41661-00-00 | BRACKET                           | 1        |         |
| 33             | 98580-06010-00  | SCREW, PAN HEAD                   | 2        |         |
| 34             | 682-41238-01-00 | JOINT, LINK                       | 1        |         |
| 35             | 682-41237-00-00 | JOINT, LINK                       | 1        |         |
| 36             | 95303-05700-00  | .NUT                              | 1        |         |
| 37             | 682-44111-01-94 | HANDLE, GEAR SHIFT                | 1        |         |
| 38             | 682-44132-00-00 | BUSHING                           | 1        |         |
| 39             | 682-44121-00-00 | LEVER, SHIFT ROD                  | 1        |         |
| 40             | 91490-25020-00  | PIN. COTTER                       | 1        |         |
| 41             | 682-44116-00-00 | SPRING                            | 1        |         |
| 42             | 682-44117-00-00 | BRACKET                           | 1        |         |
| 43             | 97013-06012-00  | BOLT                              | 1        |         |
| 44             | 682-44125-01-00 | LEVER, SHIFT ROD                  | 1        |         |
| 45             | 91490-25020-00  | PIN. COTTER                       | 1        |         |
| 46             | 682-44118-70-00 | BRACKET                           | 1        |         |
| 47             | 682-41666-70-00 | STOPPER, MAGNETO<br>CONTROL LEVER | 1        |         |
| 48             | 91490-20015-00  | PIN. COTTER                       | 1        |         |
| 49             | 92990-05600-00  | WASHER, PLATE                     | 1        |         |
| 50             | 682-44143-00-00 | ROD, SHIFT                        | 1        |         |
| 51             | 90170-06015-00  | NUT                               | 1        |         |
| 52             | 95380-06700-00  | NUT                               | 1        |         |
| 53             | 91790-05020-00  | PIN, CLEVIS                       | 1        |         |
| 54             | 92990-05600-00  | WASHER, PLATE                     | 1        |         |
| 55             | 91490-16010-00  | PIN. COTTER                       | 1        |         |
| 56             | 97313-06020-00  | BOLT, HEXAGON                     | 1        |         |
| 57             | 90387-06M02-00  | COLLAR                            | 1        |         |
| 58             | 90201-06M31-00  | .WASHER, PLATE                    | 1        |         |
| 59             | 682-44124-70-00 | LINK, SHIFT ROD                   | 1        |         |

|    |                 |                                    |   |  |
|----|-----------------|------------------------------------|---|--|
| 60 | 682-41634-70-00 | LEVER, MAGNETO CONTROL<br>4        | 1 |  |
| 61 | 90113-05M05-00  | BOLT, SET                          | 1 |  |
| 62 | 95380-05700-00  | NUT                                | 1 |  |
| 63 | 97313-06020-00  | BOLT, HEXAGON                      | 1 |  |
| 64 | 90387-06M02-00  | COLLAR                             | 1 |  |
| 65 | 95380-06700-00  | NUT                                | 1 |  |
| 66 | 90201-06M31-00  | .WASHER, PLATE                     | 1 |  |
| 67 | 682-41237-50-00 | JOINT, LINK                        | 1 |  |
| 68 | 682-41237-00-00 | JOINT, LINK                        | 1 |  |
| 69 | 95380-05700-00  | NUT                                | 1 |  |
| 70 | 656-42126-01-00 | FRICITION, STEERING<br>HANDLE GRIP | 1 |  |
| 71 | 97395-06020-00  | BOLT, HEXAGON                      | 1 |  |
| 72 | 92990-06600-00  | WASHER, PLATE                      | 1 |  |
| 73 | 90185-06062-00  | NUT, SELF-LOCKING                  | 1 |  |

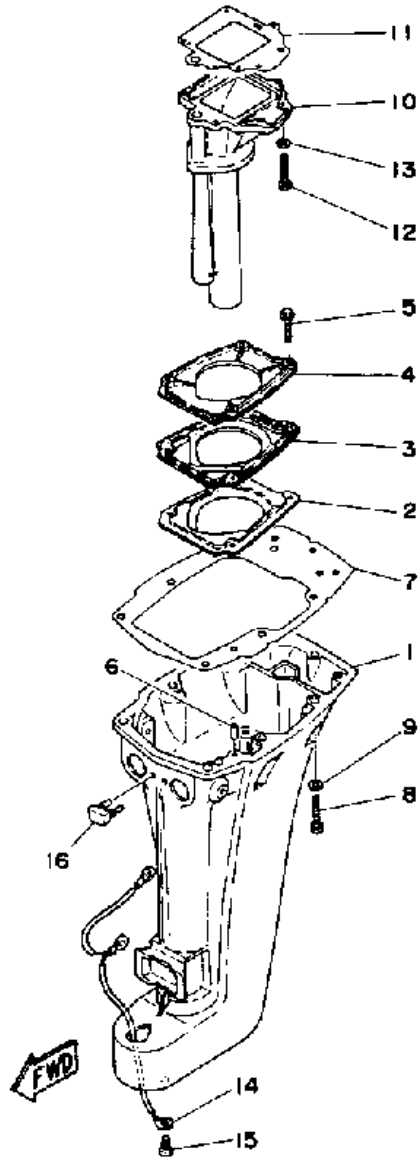
## Part Notes

15SD 1990 / CONTROL ENGINE

| PART NUMBER    |                                                                                   | NOTE TEXT                                                                                          |
|----------------|-----------------------------------------------------------------------------------|----------------------------------------------------------------------------------------------------|
| 92990-06600-00 |  | OEM: This part number is among the Top 100 Most Popular Marine Maintenance Parts as of March 2014. |
| 92990-10600-00 |  | OEM: This part number is among the Top 100 Most Popular Marine Maintenance Parts as of March 2014. |
| 92990-06600-00 |  | OEM: This part number is among the Top 100 Most Popular Marine Maintenance Parts as of March 2014. |

©2014 Yamaha Motor Corporation, U.S.A. All rights reserved.

15SD 1990 / UPPER CASING



©2014 Yamaha Motor Corporation, U.S.A. All rights reserved.


## Part List

15SD 1990 / UPPER CASING

| REF - NO | PART NUMBER     | PART NAME                       | QUANTITY | REMARKS |
|----------|-----------------|---------------------------------|----------|---------|
| 1        | 682-45111-04-EK | CASING, UPPER                   | 1        | UR      |
| 1        | 682-45111-14-EK | CASING, UPPER                   | 1        | UR      |
| 2        | 682-45126-00-5B | PLATE, SEAL DAMPER              | 1        |         |
| 3        | 682-45127-00-00 | SEAL                            | 1        |         |
| 4        | 682-41116-00-5B | PROTECTOR                       | 1        |         |
| 5        | 90105-06M01-00  | BOLT, WASHER BASED              | 4        |         |
| 6        | 93606-12019-00  | .PIN, DOWEL                     | 2        |         |
| 7        | 682-45113-A1-00 | GASKET, UPPER CASING            | 1        |         |
| 8        | 97395-08040-00  | BOLT                            | 6        |         |
| 9        | 92990-08600-00  | ..WASHER, PLATE                 | 6        |         |
| 10       | 682-41131-01-5B | MANIFOLD, EXT. 1                | 1        |         |
| 11       | 682-41133-01-00 | GASKET, EXH. MAN.<br>MANIFOLD 1 | 1        |         |
| 12       | 97395-06020-00  | BOLT, HEXAGON                   | 6        |         |
| 13       | 92990-06600-00  | WASHER, PLATE                   | 6        |         |
| 14       | 6E7-82127-00-00 | WIRE, LEAD 2                    | 1        |         |
| 15       | 90157-06M06-00  | SCREW, PAN HEAD                 | 1        |         |
| 16       | 682-44532-00-00 | STOPPER, UPPER MOUNT            | 1        |         |

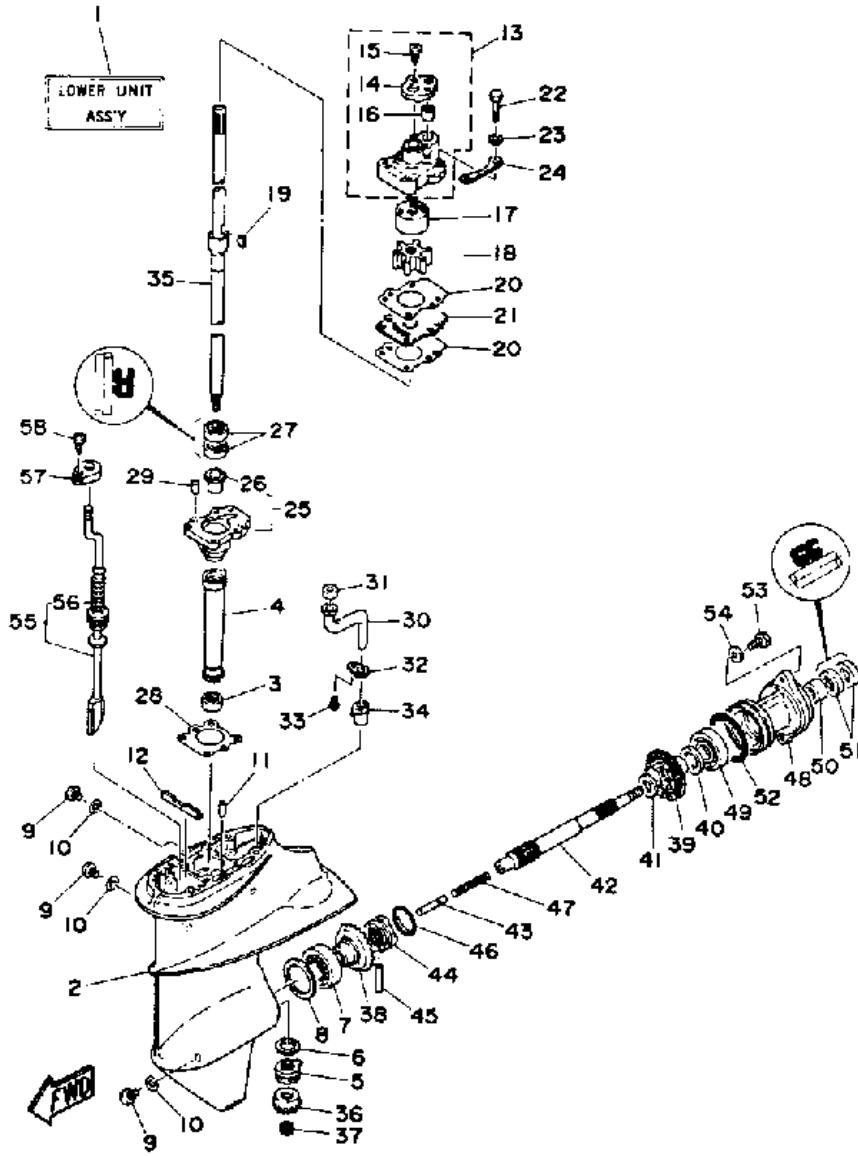
## Part Notes

15SD 1990 / UPPER CASING

| PART NUMBER                                                                                       | NOTE TEXT                                                                                          |
|---------------------------------------------------------------------------------------------------|----------------------------------------------------------------------------------------------------|
| 92990-06600-00  | OEM: This part number is among the Top 100 Most Popular Marine Maintenance Parts as of March 2014. |

©2014 Yamaha Motor Corporation, U.S.A. All rights reserved.

15SD 1990 / LOWER DRIVE 1



©2014 Yamaha Motor Corporation, U.S.A. All rights reserved.



## Part List




15SD 1990 / LOWER DRIVE 1

| REF - NO | PART NUMBER     | PART NAME                                | QUANTITY | REMARKS |
|----------|-----------------|------------------------------------------|----------|---------|
| 1        | 6E7-45300-16-EK | LOWER UNIT ASSEMBLY                      | 1        | UR      |
| 1        | 6E7-45300-05-EK | LOWER UNIT ASSEMBLY (SHORT) (REF. #2~59) | 1        | UR      |
| 2        | 6E8-45311-00-EK | CASING, LOWER                            | 1        |         |
| 3        | 93315-314V8-00  | BEARING                                  | 1        |         |
| 4        | 6E7-45536-00-00 | SLEEVE, DRIVE SHAFT                      | 1        |         |
| 5        | 93341-214U1-00  | BEARING, FLAT (#41)                      | 1        |         |
| 6        | 6E7-45587-01-10 | SHIM 3                                   | 1        | UR      |
| 6        | 6E7-45587-01-50 | SHIM 3                                   | 1        | UR      |
| 6        | 6E7-45587-01-30 | SHIM 3                                   | 1        | UR      |
| 6        | 6E7-45587-01-12 | SHIM 3                                   | 1        | UR      |
| 6        | 6E7-45587-01-15 | SHIM 3                                   | 1        | UR      |
| 6        | 6E7-45587-01-40 | SHIM 3                                   | 1        | UR      |
| 6        | 6E7-45587-01-18 | SHIM 3                                   | 1        | UR      |
| 7        | 93332-00005-00  | BEARING                                  | 1        |         |
| 8        | 664-45567-01-12 | SHIM (T:0.12MM)                          | 1        | UR      |
| 8        | 664-45567-01-30 | SHIM (T0.30MM)                           | 1        | UR      |
| 8        | 664-45567-01-50 | SHIM (T:0.50MM)                          | 1        | UR      |
| 8        | 664-45567-01-10 | SHIM (T:0.10MM)                          | 1        | UR      |
| 8        | 664-45567-01-18 | SHIM (T:0.18MM)                          | 1        | UR      |
| 8        | 664-45567-01-15 | SHIM (T:0.15MM)                          | 1        | UR      |
| 8        | 664-45567-01-40 | SHIM (T:0.40MM)                          | 1        | UR      |
| 9        | 90340-08M04-00  | PLUG, STRAIGHT SCREW                     | 3        |         |
| 10       | 90430-08020-00  | .GASKET                                  | 3        |         |
| 11       | 93604-08062-00  | PIN, DOWEL                               | 1        |         |
| 12       | 682-45376-01-00 | GUIDE, SEAL DAMPER                       | 1        |         |
| 13       | 682-44300-01-00 | HOUSING, WATER PUMP                      | 1        |         |
| 14       | 682-44312-00-00 | .COVER, WATER PUMP HOUSING               | 1        |         |
| 15       | 97780-40112-00  | .SCREW, TAPPING                          | 2        |         |
| 16       | 682-44365-00-00 | .DAMPER, WATER SEAL                      | 1        |         |
| 17       | 682-44322-00-00 | INSERT, CARTRIDGE                        | 1        |         |
| 18       | 682-44352-01-00 | IMPELLER                                 | 1        |         |
| 19       | 90280-03024-00  | .KEY, WOODRUFF                           | 1        |         |
| 20       | 682-44315-A0-00 | GASKET, WATER PUMP                       | 2        |         |
| 21       | 682-44323-00-00 | OUTER PLATE, CARTRIDGE                   | 1        |         |
| 22       | 97395-06040-00  | BOLT                                     | 4        |         |
| 23       | 92990-06600-00  | WASHER, PLATE                            | 4        |         |
| 24       | 682-44328-00-00 | PLATE                                    | 2        |         |
| 25       | 6E7-45331-00-5B | HOUSING, BEARING                         | 1        |         |
| 26       | 626-45316-09-00 | .BUSHING, DRIVE SHAFT                    | 1        |         |
| 27       | 93101-20048-00  | .OIL SEAL                                | 2        |         |
| 28       | 683-45315-A0-00 | PACKING, LOWER CASING                    | 1        |         |
| 29       | 93606-12019-00  | .PIN, DOWEL                              | 2        |         |
| 30       | 683-44362-01-00 | TUBE, WATER                              | 1        |         |
| 31       | 683-44365-01-00 | DAMPER, WATER SEAL                       | 1        |         |
| 32       | 683-44373-00-00 | SET PLATE, WATER TUBE                    | 1        |         |
| 33       | 97395-06010-00  | BOLT                                     | 1        |         |
| 34       | 6E7-44366-00-00 | DAMPER, WATER SEAL                       | 1        |         |
| 35       | 6E7-45501-00-00 | DRIVE SHAFT COMP.                        | 1        | UR      |
| 35       | 6E7-45501-10-00 | DRIVE SHAFT COMP.                        | 1        | UR      |
| 36       | 6E7-45551-00-00 | PINION (13T)                             | 1        |         |
| 37       | 90179-08M06-00  | NUT                                      | 1        |         |
| 38       | 6E7-45560-00-00 | GEAR                                     | 1        |         |
| 39       | 6E7-45571-00-00 | GEAR 2 (27T)                             | 1        |         |
| 40       | 626-45577-00-01 | SHIM (T:0.10MM)                          | 1        | UR      |
| 40       | 626-45577-00-03 | SHIM (T:0.30MM)                          | 1        | UR      |
| 40       | 626-45577-00-05 | SHIM (T:0.50MM)                          | 1        | UR      |
| 41       | 90201-17682-00  | WASHER, PLATE                            | 1        |         |
| 42       | 683-45611-00-00 | SHAFT, PROPELLER                         | 1        |         |
| 43       | 650-45635-00-00 | PLUNGER, SHIFT                           | 1        |         |

|    |                 |                     |   |    |
|----|-----------------|---------------------|---|----|
| 44 | 682-45631-00-00 | CLUTCH, DOG         | 1 |    |
| 45 | 90250-05010-00  | PIN, STRAIGHT       | 1 |    |
| 46 | 648-45633-00-00 | RING, CROSS PIN     | 1 |    |
| 47 | 90501-14M06-00  | SPRING, COMPRESSION | 1 |    |
| 48 | 99999-02231-00  | CAP, LOWER CASING   | 1 |    |
| 49 | 93306-00501-00  | BEARING             | 1 |    |
| 50 | 93315-317U2-00  | BEARING             | 1 |    |
| 51 | 93101-17054-00  | .OIL SEAL           | 2 |    |
| 52 | 93210-57M09-00  | .O-RING             | 1 |    |
| 53 | 97395-06020-00  | BOLT, HEXAGON       | 2 |    |
| 54 | 92990-06600-00  | WASHER, PLATE       | 2 |    |
| 55 | 682-44150-00-00 | SHIFT CAM ASSEMBLY  | 1 | UR |
| 55 | 682-44150-10-00 | SHIFT CAM ASSEMBLY  | 1 | UR |
| 56 | 682-44147-00-00 | .BOOT, SHIFT ROD    | 1 |    |
| 57 | 682-44176-00-00 | BRACKET             | 1 |    |
| 58 | 97780-50110-00  | SCREW, PAN HEAD     | 1 |    |

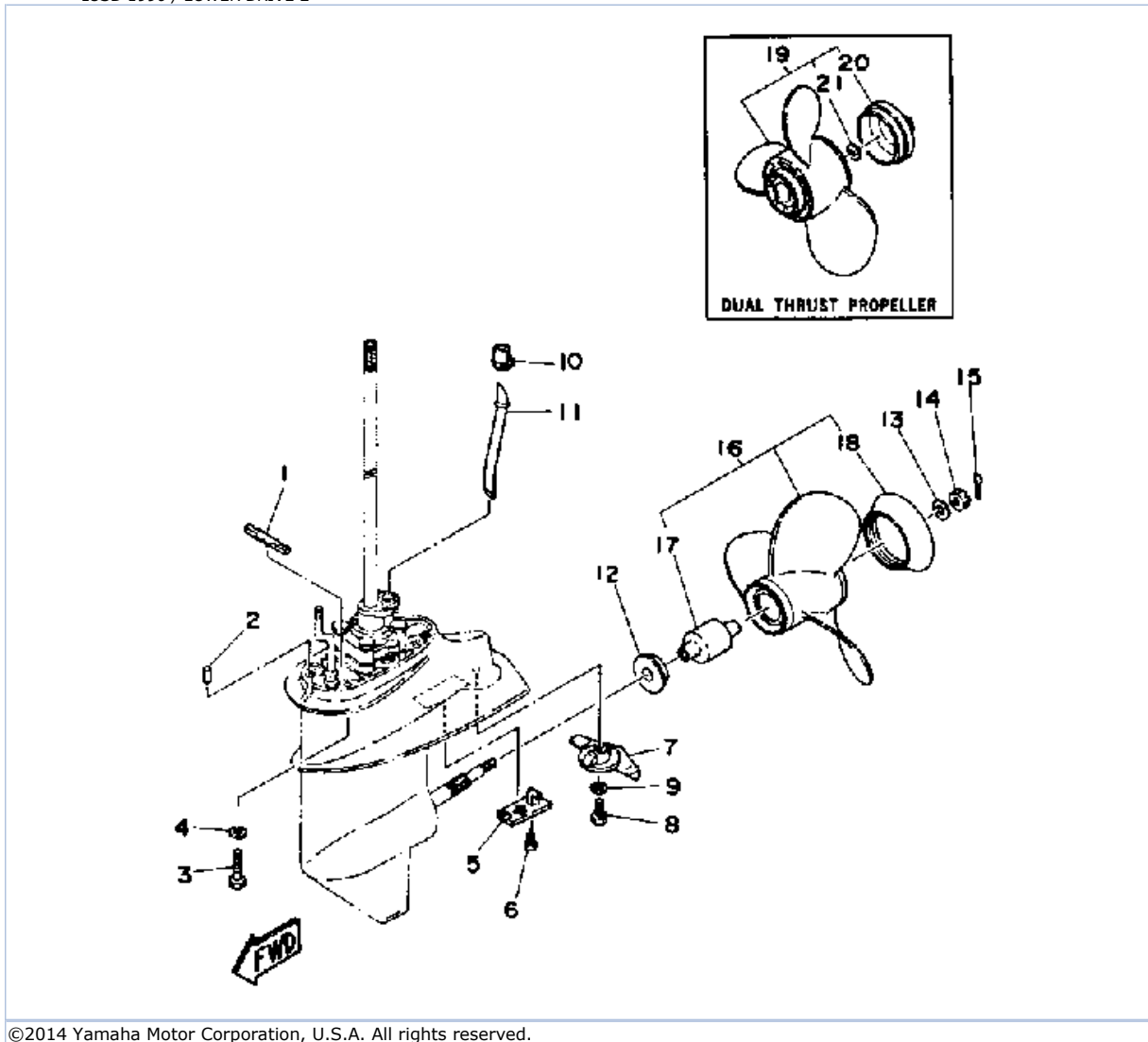
## Part Notes

15SD 1990 / LOWER DRIVE 1

| PART NUMBER    |                                                                                   | NOTE TEXT                                                                                          |
|----------------|-----------------------------------------------------------------------------------|----------------------------------------------------------------------------------------------------|
| 90430-08020-00 |  | OEM: This part number is among the Top 100 Most Popular Marine Maintenance Parts as of March 2014. |
| 92990-06600-00 |  | OEM: This part number is among the Top 100 Most Popular Marine Maintenance Parts as of March 2014. |
| 92990-06600-00 |  | OEM: This part number is among the Top 100 Most Popular Marine Maintenance Parts as of March 2014. |

©2014 Yamaha Motor Corporation, U.S.A. All rights reserved.

15SD 1990 / LOWER DRIVE 2




## Part List

15SD 1990 / LOWER DRIVE 2

| REF - NO | PART NUMBER     | PART NAME                      | QUANTITY | REMARKS |
|----------|-----------------|--------------------------------|----------|---------|
| 1        | 682-45375-01-00 | DAMPER, SEAL                   | 1        |         |
| 2        | 93606-12019-00  | .PIN, DOWEL                    | 2        |         |
| 3        | 97090-08035-00  | BOLT                           | 4        |         |
| 4        | 92990-08600-00  | ..WASHER, PLATE                | 4        |         |
| 5        | 6E7-45214-00-00 | COVER, WATER INLET 1           | 1        |         |
| 6        | 98580-05012-00  | .SCREW, PAN HEAD               | 1        |         |
| 7        | 6E8-45251-01-00 | ANODE                          | 1        |         |
| 8        | 97395-06016-00  | BOLT, HEX                      | 1        |         |
| 9        | 92990-06600-00  | WASHER, PLATE                  | 1        |         |
| 10       | 626-44365-01-00 | DAMPER, WATER SEAL             | 1        |         |
| 11       | 682-44361-00-00 | TUBE, WATER                    | 1        | UR      |
| 11       | 682-44361-10-00 | TUBE, WATER                    | 1        | UR      |
| 12       | 6E7-45987-01-00 | SPACER 1                       | 1        |         |
| 13       | 90201-10M01-00  | WASHER, PLATE                  | 1        |         |
| 14       | 90171-10M01-00  | NUT, CASTLE                    | 1        |         |
| 15       | 91490-30020-00  | PIN. COTTER                    | 1        |         |
| 16       | 683-45943-00-EL | PROPELLER (3X9-1/4"X10-1/2"-J) | 1        | UR      |
| 16       | 683-45945-00-EL | PROPELLER (3X9-1/4"X9"-J)      | 1        | UR      |
| 16       | 683-45947-00-EL | PROPELLER (3X9-1/4"X8"-J)      | 1        | UR      |
| 16       | 683-45952-00-EL | PROPELLER (3X9-1/4"X9-3/4"-J)  | 1        | UR      |
| 17       | 683-45981-00-00 | .DAMPER, PROPELLER             | 1        |         |
| 18       | 683-45986-00-94 | .REFLECTOR RING                | 1        |         |
| 19       | 683-W4592-02-EL | PROPELLER (3X9-3/4"X6-1/2"-J)  | 1        | UR      |
| 19       | 683-W4591-02-EL | PROPELLER (3X9-3/4"X8"-J)      | 1        | UR      |
| 20       | 99999-02238-00  | .NUT, PROPELLER                | 1        |         |
| 21       | 90201-10M02-00  | .WASHER, PLATE                 | 1        |         |

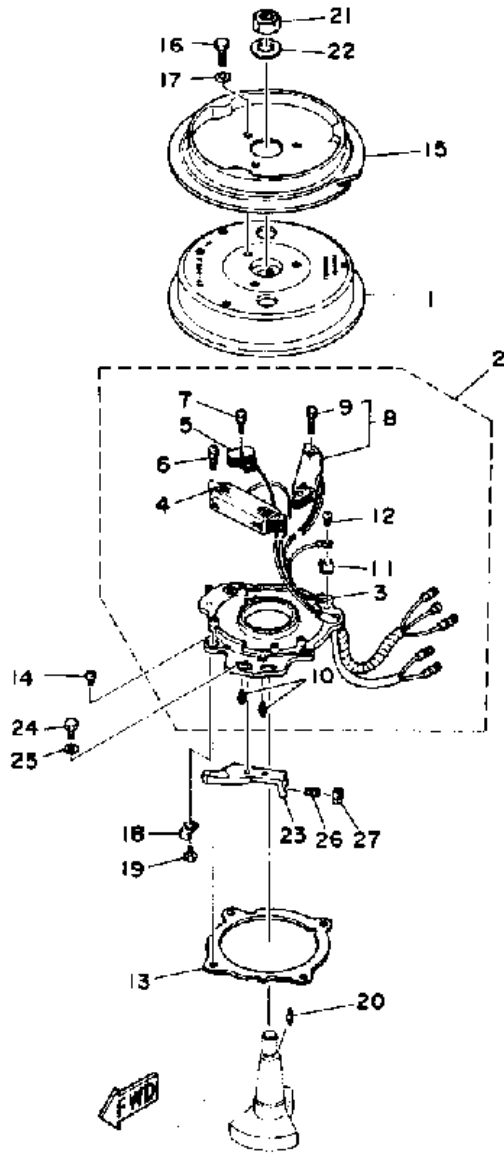
## Part Notes

15SD 1990 / LOWER DRIVE 2

| PART NUMBER                                                                                        | NOTE TEXT                                                                                          |
|----------------------------------------------------------------------------------------------------|----------------------------------------------------------------------------------------------------|
| 92990-06600-00  | OEM: This part number is among the Top 100 Most Popular Marine Maintenance Parts as of March 2014. |

©2014 Yamaha Motor Corporation, U.S.A. All rights reserved.

15SD 1990 / CDI MAGNETO



©2014 Yamaha Motor Corporation, U.S.A. All rights reserved.


## Part List

15SD 1990 / CDI MAGNETO

| REF<br>-<br>NO | PART<br>NUMBER  | PART NAME                      | QUANTITY | REMARKS |
|----------------|-----------------|--------------------------------|----------|---------|
| 1              | 6E7-85550-70-00 | ROTOR ASSEMBLY                 | 1        |         |
| 2              | 6E7-85560-A0-00 | BASE ASSY                      | 1        |         |
| 3              | 6E7-85509-70-00 | .BASE, MAGNETO                 | 1        |         |
| 4              | 6E7-85520-70-00 | .COIL, CHARGE                  | 1        |         |
| 5              | 6E7-85580-70-00 | .COIL, PULSER                  | 1        |         |
| 6              | 90159-05039-00  | .SCREW, W/WASHER               | 2        |         |
| 7              | 90159-05038-00  | .SCREW, WITH WASHER            | 1        |         |
| 8              | 6E7-81303-A0-00 | .LIGHTING COIL ASSY            | 1        |         |
| 9              | 90159-05039-00  | ..SCREW, W/WASHER              | 2        |         |
| 10             | 663-85518-00-00 | .JOINT, BALL                   | 2        |         |
| 11             | 6E7-81328-70-00 | .CLAMP, CORD                   | 1        |         |
| 12             | 98511-04006-00  | .SCREW, PAN HEAD (98502-04006) | 1        |         |
| 13             | 682-41613-02-00 | PLATE, BASE FRICTION           | 1        |         |
| 14             | 98580-05008-00  | .SCREW, PAN HEAD               | 5        |         |
| 15             | 6E7-15723-00-94 | PULLEY, STARTER                | 1        |         |
| 16             | 97013-06012-00  | BOLT                           | 3        |         |
| 17             | 92990-06600-00  | WASHER, PLATE                  | 3        |         |
| 18             | 682-41616-00-00 | STOPPER, MAGNETO BASE          | 1        |         |
| 19             | 97390-05010-00  | BOLT, HEXAGON                  | 1        |         |
| 20             | 90280-16053-00  | KEY, WOODRUFF                  | 1        |         |
| 21             | 90170-12066-00  | NUT                            | 1        |         |
| 22             | 90201-12472-00  | WASHER, PLATE                  | 1        |         |
| 23             | 6E8-41213-00-94 | CAM, ACCEL.                    | 1        |         |
| 24             | 97313-05010-00  | BOLT, HEXAGON                  | 2        |         |
| 25             | 92990-05600-00  | WASHER, PLATE                  | 2        |         |
| 26             | 90113-05M04-00  | BOLT, SET                      | 1        |         |
| 27             | 95380-05700-00  | NUT                            | 1        |         |

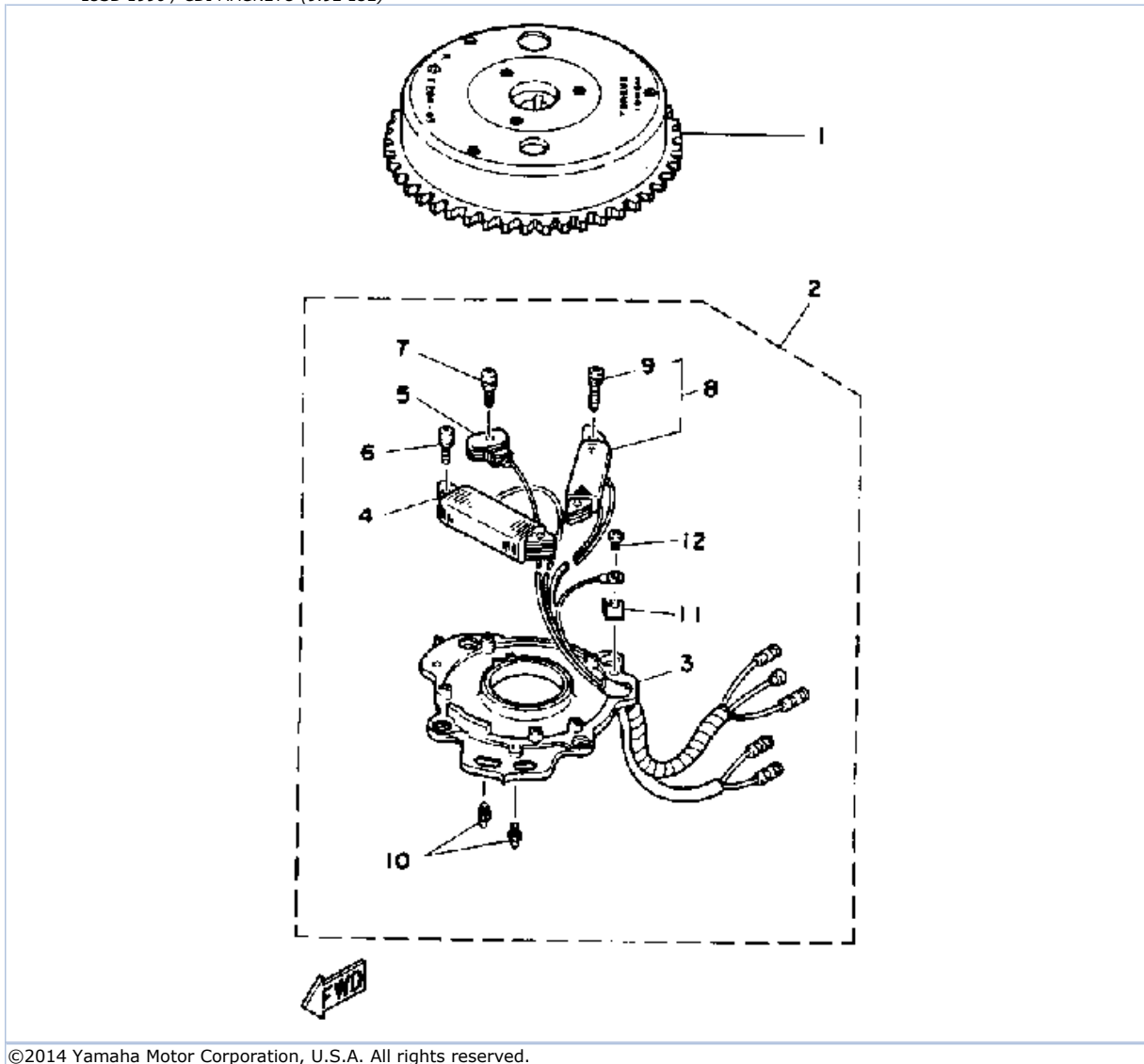
## Part Notes

15SD 1990 / CDI MAGNETO

| PART NUMBER                                                                                        | NOTE TEXT                                                                                          |
|----------------------------------------------------------------------------------------------------|----------------------------------------------------------------------------------------------------|
| 92990-06600-00  | OEM: This part number is among the Top 100 Most Popular Marine Maintenance Parts as of March 2014. |

©2014 Yamaha Motor Corporation, U.S.A. All rights reserved.

15SD 1990 / CDI MAGNETO (9.9E 15E)



©2014 Yamaha Motor Corporation, U.S.A. All rights reserved.

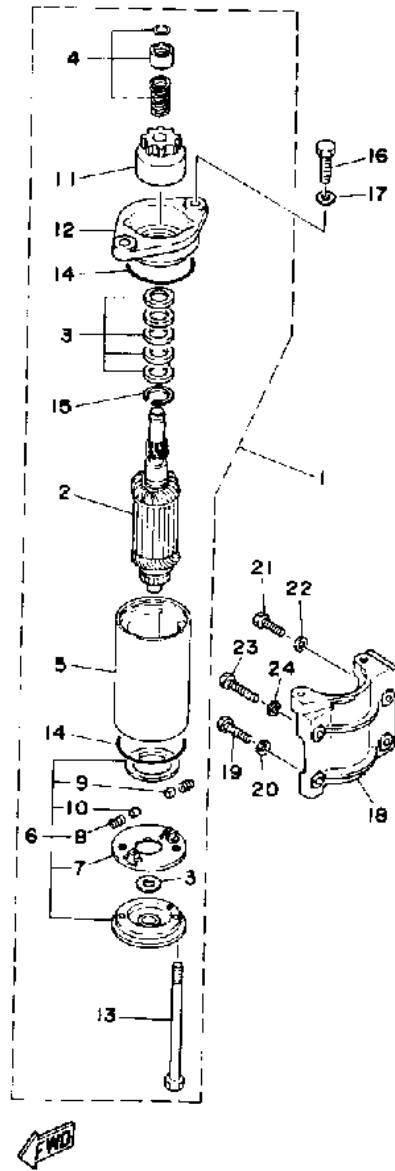
## Part List

15SD 1990 / CDI MAGNETO (9.9E 15E)

| REF<br>-<br>NO | PART<br>NUMBER  | PART NAME                      | QUANTITY | REMARKS |
|----------------|-----------------|--------------------------------|----------|---------|
| 1              | 6E7-85550-A0-00 | ROTOR ASSY                     | 1        |         |
| 2              | 6E7-85560-A0-00 | BASE ASSY                      | 1        |         |
| 3              | 6E7-85509-70-00 | .BASE, MAGNETO                 | 1        |         |
| 4              | 6E7-85520-70-00 | .COIL, CHARGE                  | 1        |         |
| 5              | 6E7-85580-70-00 | .COIL, PULSER                  | 1        |         |
| 6              | 90159-05039-00  | .SCREW, W/WASHER               | 2        |         |
| 7              | 90159-05038-00  | .SCREW, WITH WASHER            | 1        |         |
| 8              | 6E7-81303-A0-00 | .LIGHTING COIL ASSY            | 1        |         |
| 9              | 90159-05039-00  | .SCREW, W/WASHER               | 2        |         |
| 10             | 663-85518-00-00 | .JOINT, BALL                   | 2        |         |
| 11             | 6E7-81328-70-00 | .CLAMP, CORD                   | 1        |         |
| 12             | 98511-04006-00  | .SCREW, PAN HEAD (98502-04006) | 1        |         |



15SD 1990 / ELECTRIC MOTOR (9.9E 15E)



©2014 Yamaha Motor Corporation, U.S.A. All rights reserved.




## Part List

15SD 1990 / ELECTRIC MOTOR (9.9E 15E)

| REF<br>-<br>NO | PART<br>NUMBER  | PART NAME                                    | QUANTITY | REMARKS |
|----------------|-----------------|----------------------------------------------|----------|---------|
| 1              | 682-81800-12-00 | STARTING MOTOR<br>ASSEMBLY                   | 1        |         |
| 2              | 682-81850-11-00 | .ARMATURE ASSEMBLY                           | 1        |         |
| 3              | 682-81809-10-00 | .WASHER KIT                                  | 1        |         |
| 4              | 682-81833-10-00 | .PINION STOPPER SET                          | 1        |         |
| 5              | 682-81810-11-00 | .STATOR ASSY                                 | 1        |         |
| 6              | 682-81820-10-00 | .REAR COVER ASSY                             | 1        |         |
| 7              | 682-81840-10-00 | ..BRUSH HOLDER ASSY                          | 1        |         |
| 8              | 682-81813-10-00 | ..SPRING, BRUSH                              | 2        |         |
| 9              | 682-81811-10-00 | ..BRUSH 1 (+)                                | 1        |         |
| 10             | 682-81812-10-00 | ..BRUSH 2 (-)                                | 1        |         |
| 11             | 682-81832-10-00 | .PINION ASSY                                 | 1        |         |
| 12             | 682-81830-10-00 | .FRONT COVER ASSY                            | 1        |         |
| 13             | 682-81826-10-00 | .BOLT                                        | 2        |         |
| 14             | 682-81847-10-00 | .O-RING                                      | 2        |         |
| 15             | 682-81834-10-00 | .RING                                        | 1        |         |
| 16             | 97013-08025-00  | BOLT                                         | 2        |         |
| 17             | 92990-08600-00  | ..WASHER, PLATE                              | 2        |         |
| 18             | 682-81822-43-94 | BRACKET, ELECTRIC MOTOR<br>(682-81822-42-94) | 1        |         |
| 19             | 97313-06020-00  | BOLT, HEXAGON                                | 2        |         |
| 20             | 92990-06600-00  | WASHER, PLATE                                | 2        |         |
| 21             | 97313-06025-00  | BOLT                                         | 1        |         |
| 22             | 92990-06600-00  | WASHER, PLATE                                | 1        |         |
| 23             | 97313-06030-00  | BOLT                                         | 1        |         |
| 24             | 92990-06600-00  | WASHER, PLATE                                | 1        |         |

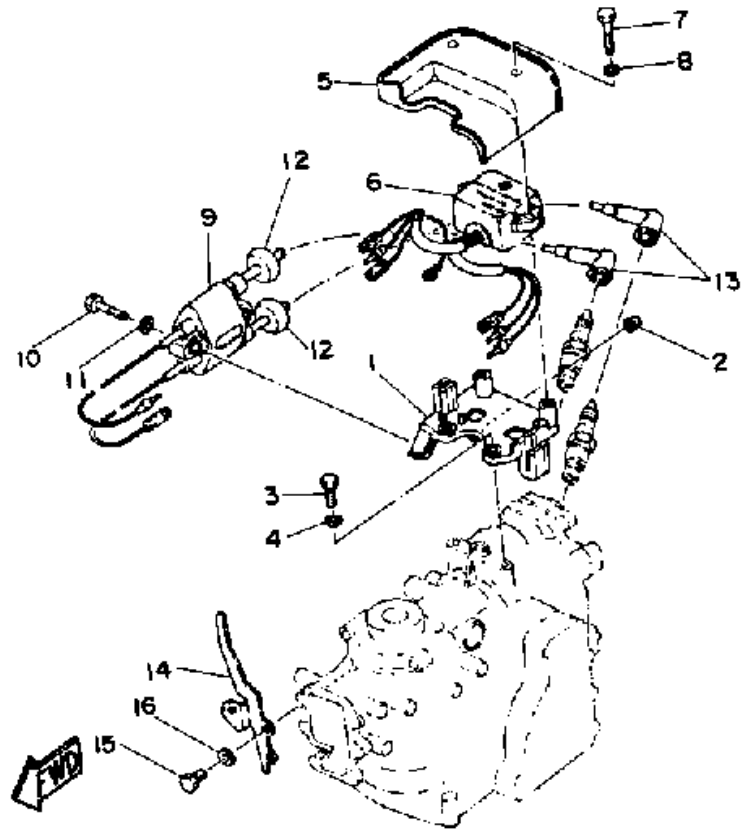
## Part Notes

15SD 1990 / ELECTRIC MOTOR (9.9E 15E)

| PART NUMBER    |                                                                                     | NOTE TEXT                                                                                          |
|----------------|-------------------------------------------------------------------------------------|----------------------------------------------------------------------------------------------------|
| 92990-06600-00 |  | OEM: This part number is among the Top 100 Most Popular Marine Maintenance Parts as of March 2014. |
| 92990-06600-00 |  | OEM: This part number is among the Top 100 Most Popular Marine Maintenance Parts as of March 2014. |
| 92990-06600-00 |  | OEM: This part number is among the Top 100 Most Popular Marine Maintenance Parts as of March 2014. |

©2014 Yamaha Motor Corporation, U.S.A. All rights reserved.

15SD 1990 / ELECTRIC PARTS



©2014 Yamaha Motor Corporation, U.S.A. All rights reserved.




## Part List

15SD 1990 / ELECTRIC PARTS

| REF - NO | PART NUMBER     | PART NAME                 | QUANTITY | REMARKS |
|----------|-----------------|---------------------------|----------|---------|
| 1        | 6E7-85542-00-94 | BRACKET                   | 1        |         |
| 2        | 6E7-82317-00-00 | DAMPER, IGNITION COIL     | 2        |         |
| 3        | 97313-06020-00  | BOLT, HEXAGON             | 2        |         |
| 4        | 92990-06600-00  | WASHER, PLATE             | 2        |         |
| 5        | 6E7-81916-00-00 | COVER, TERMINAL           | 1        |         |
| 6        | 695-85540-11-00 | C.D.I. UNIT ASSEMBLY      | 1        |         |
| 7        | 97395-06030-00  | BOLT                      | 2        |         |
| 8        | 92990-06200-00  | WASHER, PLAIN             | 2        |         |
| 9        | 6E7-85570-19-00 | IGNITION COIL ASSEMBLY    | 1        |         |
| 10       | 97313-06030-00  | BOLT                      | 2        |         |
| 11       | 92990-06600-00  | WASHER, PLATE             | 2        |         |
| 12       | 90480-24161-00  | UNAVAILABLE IN PRICE BOOK | 2        |         |
| 13       | 663-82370-01-00 | PLUG CAP ASSY             | 2        |         |
| 14       | 682-81332-02-00 | PLATE, TIMING             | 1        |         |
| 15       | 97395-06016-00  | BOLT, HEX                 | 2        |         |
| 16       | 92990-06600-00  | WASHER, PLATE             | 2        |         |

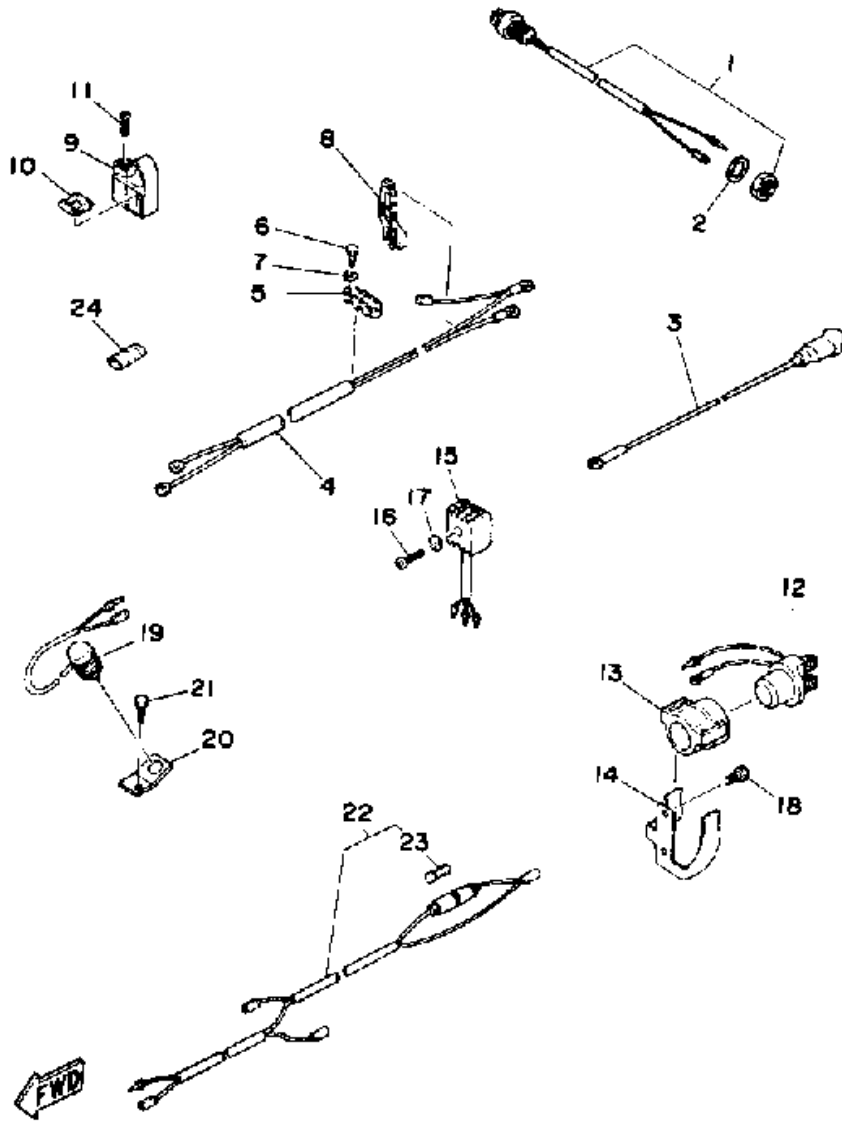
## Part Notes

15SD 1990 / ELECTRIC PARTS

| PART NUMBER    |                                                                                     | NOTE TEXT                                                                                          |
|----------------|-------------------------------------------------------------------------------------|----------------------------------------------------------------------------------------------------|
| 92990-06600-00 |    | OEM: This part number is among the Top 100 Most Popular Marine Maintenance Parts as of March 2014. |
| 92990-06600-00 |   | OEM: This part number is among the Top 100 Most Popular Marine Maintenance Parts as of March 2014. |
| 92990-06600-00 |  | OEM: This part number is among the Top 100 Most Popular Marine Maintenance Parts as of March 2014. |

©2014 Yamaha Motor Corporation, U.S.A. All rights reserved.

15SD 1990 / ELECTRIC PARTS (9.9E 15E)



©2014 Yamaha Motor Corporation, U.S.A. All rights reserved.


## Part List

15SD 1990 / ELECTRIC PARTS (9.9E 15E)

| REF<br>-<br>NO | PART<br>NUMBER  | PART NAME               | QUANTITY | REMARKS |
|----------------|-----------------|-------------------------|----------|---------|
| 1              | 689-81870-00-00 | STARTING SWITCH ASSY    | 1        |         |
| 2              | 90201-16M36-00  | WASHER, PLATE           | 1        |         |
| 3              | 6E7-82117-00-00 | WIRE, LEAD              | 1        |         |
| 4              | 6E7-82105-10-00 | BATTERY CABLE           | 1        |         |
| 5              | 90464-08M03-00  | CLAMP                   | 1        |         |
| 6              | 97313-06016-00  | BOLT, HEXAGON           | 2        |         |
| 7              | 92990-06600-00  | WASHER, PLATE           | 2        |         |
| 8              | 682-82594-01-00 | CLAMP                   | 1        |         |
| 9              | 689-82594-00-00 | CLAMP                   | 1        |         |
| 10             | 682-42525-00-00 | PLATE, FRICTION 1       | 1        |         |
| 11             | 90161-06M03-00  | SCREW, TAPPING          | 1        |         |
| 12             | 6G1-81941-10-00 | STARTER RELAY ASSY      | 1        |         |
| 13             | 6G1-81952-00-00 | HOLDER, RELAY           | 1        |         |
| 14             | 6E7-81945-00-00 | PLATE, SWITCH FITTING   | 1        |         |
| 15             | 664-81970-61-00 | RECTIFIER ASSEMBLY      | 1        |         |
| 16             | 98503-05025-00  | SCREW, PAN HEAD         | 1        |         |
| 17             | 92990-05600-00  | WASHER, PLATE           | 1        |         |
| 18             | 97313-06014-00  | BOLT, HEXAGON           | 2        |         |
| 19             | 689-82540-01-00 | NEUTRAL SWITCH ASSEMBLY | 1        |         |
| 20             | 682-82554-00-00 | STAY, NEUTRAL SWITCH    | 1        |         |
| 21             | 97013-06012-00  | BOLT                    | 1        |         |
| 22             | 6E7-82541-00-00 | WIRE, LEAD              | 1        |         |
| 23             | 682-82151-00-00 | .FUSE (12V-20A)         | 1        |         |
| 24             | 90446-10M02-00  | HOSE                    | 1        |         |

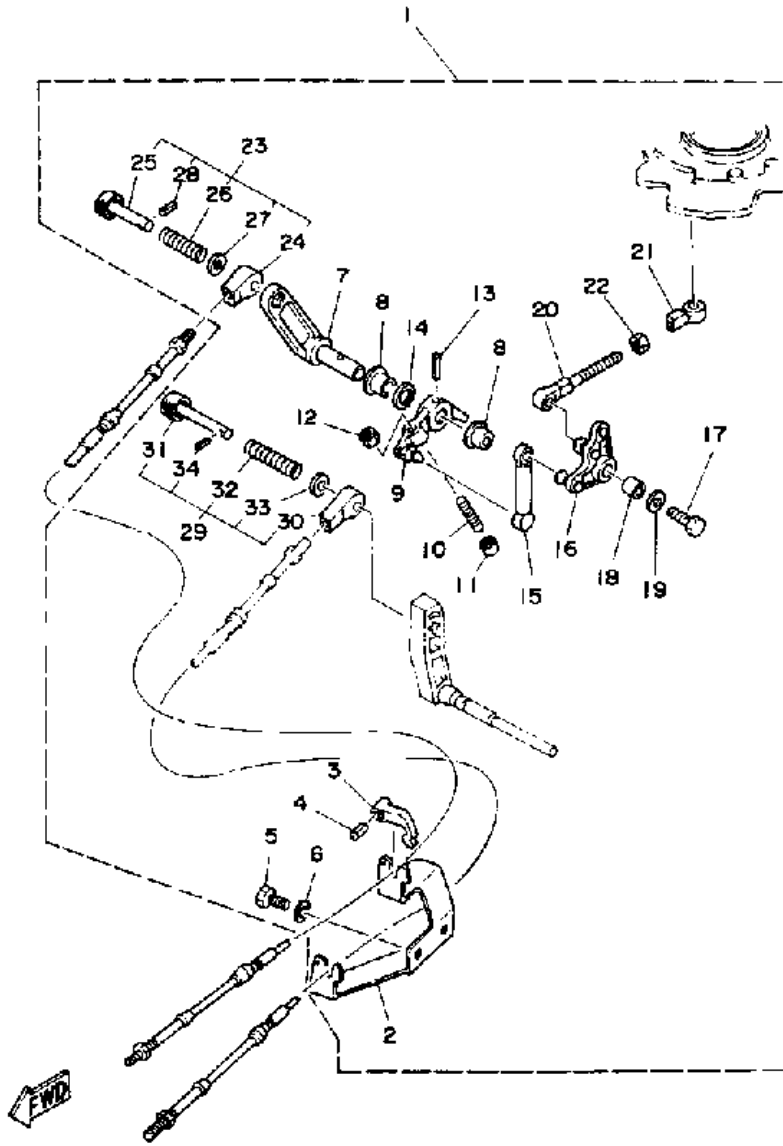
## Part Notes

15SD 1990 / ELECTRIC PARTS (9.9E 15E)

| PART NUMBER                                                                                        | NOTE TEXT                                                                                          |
|----------------------------------------------------------------------------------------------------|----------------------------------------------------------------------------------------------------|
| 92990-06600-00  | OEM: This part number is among the Top 100 Most Popular Marine Maintenance Parts as of March 2014. |

©2014 Yamaha Motor Corporation, U.S.A. All rights reserved.

15SD 1990 / REMOTE CONTROL ATTACHEMENT



©2014 Yamaha Motor Corporation, U.S.A. All rights reserved.


## Part List

15SD 1990 / REMOTE CONTROL ATTACHEMENT

| REF - NO | PART NUMBER     | PART NAME                     | QUANTITY | REMARKS |
|----------|-----------------|-------------------------------|----------|---------|
| 1        | 6E7-48501-50-00 | ATTACHMENT ASSY               | 1        |         |
| 2        | 682-48531-51-00 | .BRACKET, REMOTE CONTROL      | 1        |         |
| 3        | 682-48538-50-00 | .CLAMP, CABLE 1               | 2        |         |
| 4        | 91690-30012-00  | .PIN, SPRING                  | 2        |         |
| 5        | 97395-06016-00  | .BOLT, HEX                    | 2        |         |
| 6        | 92990-06600-00  | .WASHER, PLATE                | 2        |         |
| 7        | 682-41631-50-94 | .LEVER, MAGNETO CONTROL 1     | 1        |         |
| 8        | 90386-10009-00  | .BUSH                         | 2        |         |
| 9        | 682-41632-50-94 | .LEVER, MAGNETO CONTROL 2     | 1        |         |
| 10       | 90113-06M01-00  | .BOLT                         | 1        |         |
| 11       | 663-44194-00-00 | .CAP                          | 1        |         |
| 12       | 95380-06700-00  | .NUT                          | 1        |         |
| 13       | 91690-40018-00  | .PIN, SPRING                  | 1        |         |
| 14       | 90202-10024-00  | .WASHER, PLATE                | 1        |         |
| 15       | 682-41238-51-00 | .JOINT, LINK 1                | 1        |         |
| 16       | 682-41633-00-94 | .LEVER, MAGNETO CONTROL 3     | 1        |         |
| 17       | 97313-06020-00  | .BOLT, HEXAGON                | 1        |         |
| 18       | 90387-06M02-00  | .COLLAR                       | 1        |         |
| 19       | 90387-06298-00  | .COLLAR                       | 1        |         |
| 20       | 682-41237-50-00 | .JOINT, LINK                  | 1        |         |
| 21       | 682-41237-00-00 | .JOINT, LINK                  | 1        |         |
| 22       | 95380-05700-00  | .NUT                          | 1        |         |
| 23       | 682-48340-50-00 | .CABLE END ASSY (THROTTLE)    | 1        |         |
| 24       | 682-48344-50-00 | ..CABLE END, REMOTE CONTROL 1 | 1        |         |
| 25       | 617-48361-91-00 | ..HOOK, CABLE                 | 1        |         |
| 26       | 90501-10264-00  | ..SPRING, COMPRESSION         | 1        |         |
| 27       | 92990-08600-00  | ..WASHER, PLATE               | 1        |         |
| 28       | 91690-30012-00  | ..PIN, SPRING                 | 1        |         |
| 29       | 682-48330-50-00 | .CABLE END ASSY (SHIFT)       | 1        |         |
| 30       | 682-48346-50-00 | ..CABLE END, REMOTE CONTROL 3 | 1        |         |
| 31       | 617-48331-91-00 | ..HOOK, CABLE                 | 1        |         |
| 32       | 90501-10071-00  | ..SPRING, COMPRESSION         | 1        |         |
| 33       | 92990-08600-00  | ..WASHER, PLATE               | 1        |         |
| 34       | 91690-30012-00  | ..PIN, SPRING                 | 1        |         |

## Part Notes

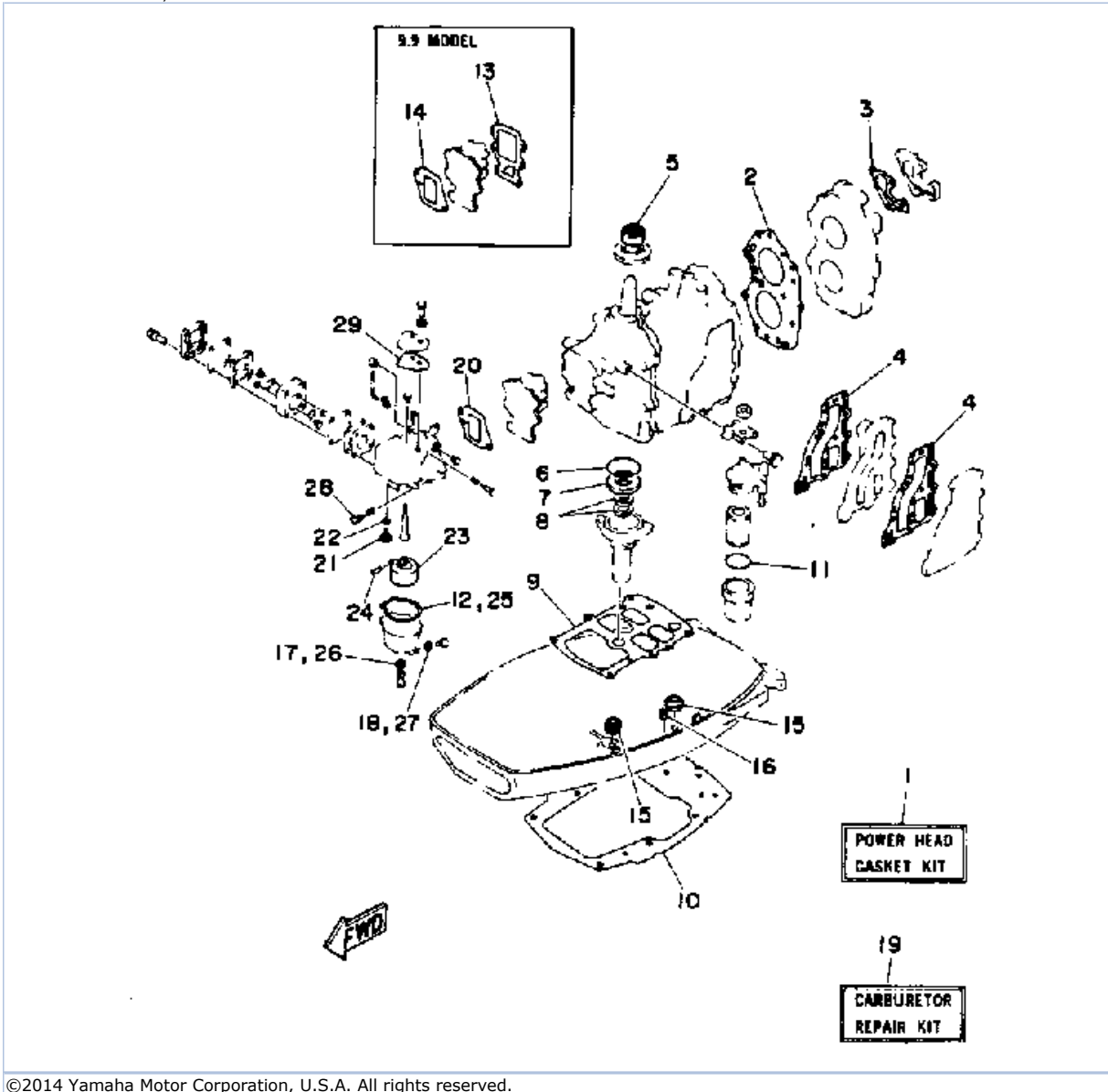
15SD 1990 / REMOTE CONTROL ATTACHEMENT

| PART NUMBER                                                                                        | NOTE TEXT                                                                                          |
|----------------------------------------------------------------------------------------------------|----------------------------------------------------------------------------------------------------|
| 92990-06600-00  | OEM: This part number is among the Top 100 Most Popular Marine Maintenance Parts as of March 2014. |

©2014 Yamaha Motor Corporation, U.S.A. All rights reserved.



15SD 1990 / REPAIR KIT 1



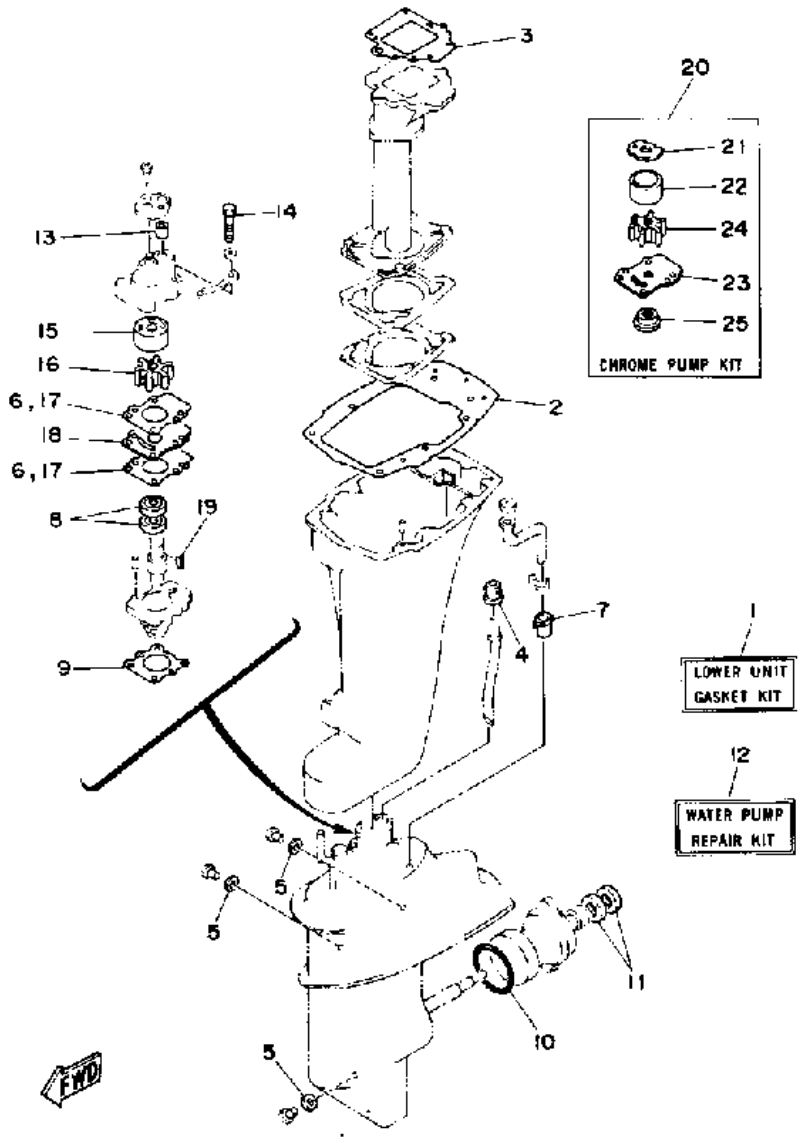
©2014 Yamaha Motor Corporation, U.S.A. All rights reserved.

## Part List

15SD 1990 / REPAIR KIT 1

| REF<br>-<br>NO | PART<br>NUMBER  | PART NAME                         | QUANTITY | REMARKS |
|----------------|-----------------|-----------------------------------|----------|---------|
| 1              | 6E7-W0001-01-00 | GASKET KIT                        | 0        | UR 9.9  |
| 1              | 682-W0001-04-00 | GASKET KIT (15 MODEL)             | 1        | UR 15   |
| 2              | 6E7-11181-A0-00 | .GASKET, CYLINDER HEAD 1          | 1        |         |
| 3              | 682-12414-A1-00 | .GASKET, COVER                    | 1        |         |
| 4              | 682-41112-A1-00 | .GASKET, EXHAUST INNER<br>COVER   | 2        |         |
| 5              | 93110-23M00-00  | .OIL SEAL                         | 1        |         |
| 6              | 93210-53679-00  | .O-RING                           | 1        |         |
| 7              | 93101-20M29-00  | .OIL SEAL                         | 1        |         |
| 8              | 93101-13M11-00  | .OIL SEAL                         | 2        |         |
| 9              | 682-11351-A0-00 | .GASKET, CYLINDER                 | 1        |         |
| 10             | 682-45113-A1-00 | .GASKET, UPPER CASING             | 1        |         |
| 11             | 93210-37M25-00  | .O-RING                           | 1        |         |
| 12             | 677-14384-01-00 | .GASKET, FLOAT CHAMBER            | 1        |         |
| 13             | 682-13621-00-00 | .GASKET, VALVE SEAT (99<br>MODEL) | 0        |         |
| 14             | 677-14198-00-00 | .GASKET                           | 1        |         |
| 15             | 682-44367-00-00 | .DAMPER, WATER SEAL               | 2        |         |
| 16             | 682-44366-00-00 | .DAMPER, WATER SEAL               | 1        |         |
| 17             | 1J2-14398-00-00 | .GASKET                           | 1        |         |
| 18             | 655-14398-00-00 | .GASKET                           | 1        |         |
| 19             | 6E7-W0093-02-00 | CARB REPAIR KIT                   | 1        |         |
| 20             | 677-14198-00-00 | .GASKET                           | 1        |         |
| 21             | 6E8-14390-12-00 | .NEEDLE VALVE ASSEMBLY            | 1        |         |
| 22             | 367-14195-00-00 | .GASKET                           | 1        |         |
| 23             | 6E7-14385-00-00 | .FLOAT                            | 1        |         |
| 24             | 647-14386-10-00 | .PIN, FLOAT                       | 1        |         |
| 25             | 677-14384-01-00 | .GASKET, FLOAT CHAMBER            | 1        |         |
| 26             | 1J2-14398-00-00 | .GASKET                           | 1        |         |
| 27             | 655-14398-00-00 | .GASKET                           | 1        |         |
| 28             | 647-14323-00-00 | .SCREW, AIR ADJUSTING             | 1        |         |
| 29             | 6E7-14227-00-00 | .GASKET                           | 1        |         |

15SD 1990 / REPAIR KIT 2



©2014 Yamaha Motor Corporation, U.S.A. All rights reserved.


## Part List

15SD 1990 / REPAIR KIT 2

| REF<br>-<br>NO | PART<br>NUMBER  | PART NAME                      | QUANTITY | REMARKS |
|----------------|-----------------|--------------------------------|----------|---------|
| 1              | 683-W0001-21-00 | LWR UNIT GSKT KIT              | 1        |         |
| 2              | 682-45113-A1-00 | .GASKET, UPPER CASING          | 1        |         |
| 3              | 682-41133-01-00 | .GASKET, EXH MAN<br>MANIFOLD 1 | 1        |         |
| 4              | 626-44365-01-00 | .DAMPER, WATER SEAL            | 1        |         |
| 5              | 90430-08020-00  | .GASKET                        | 3        |         |
| 6              | 682-44315-A0-00 | .GASKET, WATER PUMP            | 2        |         |
| 7              | 6E7-44366-00-00 | .DAMPER, WATER SEAL            | 1        |         |
| 8              | 93101-20048-00  | .OIL SEAL                      | 2        |         |
| 9              | 683-45315-A0-00 | .PACKING, LOWER CASING         | 1        |         |
| 10             | 93210-57M09-00  | .O-RING                        | 1        |         |
| 11             | 93101-17054-00  | .OIL SEAL                      | 2        |         |
| 12             | 682-W0078-01-00 | WATER PUMP REPAIR KIT          | 1        |         |
| 13             | 682-44365-00-00 | .DAMPER, WATER SEAL            | 1        |         |
| 14             | 97395-06040-00  | .BOLT                          | 4        |         |
| 15             | 682-44322-00-00 | .INSERT, CARTRIDGE             | 1        |         |
| 16             | 682-44352-01-00 | .IMPELLER                      | 1        |         |
| 17             | 682-44315-A0-00 | .GASKET, WATER PUMP            | 2        |         |
| 18             | 682-44323-00-00 | .OUTER PLATE, CARTRIDGE        | 1        |         |
| 19             | 90280-03024-00  | .KEY, WOODRUFF                 | 1        |         |
| 20             | 682-W0078-0A-00 | CHROME PUMP KIT                | 1        |         |
| 21             | 682-44321-40-00 | .INNER PLATE, CARTRIDGE        | 1        |         |
| 22             | 682-44322-40-00 | .INSERT, CARTRIDGE             | 1        |         |
| 23             | 682-44323-40-00 | .OUTER PLATE, CARTRIDGE        | 1        |         |
| 24             | 682-44352-01-00 | .IMPELLER                      | 1        |         |
| 25             | 682-45344-00-00 | .COVER, OIL SEAL               | 1        |         |

## Part Notes

15SD 1990 / REPAIR KIT 2

| PART NUMBER                                                                                        | NOTE TEXT                                                                                          |
|----------------------------------------------------------------------------------------------------|----------------------------------------------------------------------------------------------------|
| 90430-08020-00  | OEM: This part number is among the Top 100 Most Popular Marine Maintenance Parts as of March 2014. |

©2014 Yamaha Motor Corporation, U.S.A. All rights reserved.

©2014 Yamaha Motor Corporation, U.S.A. All rights reserved.