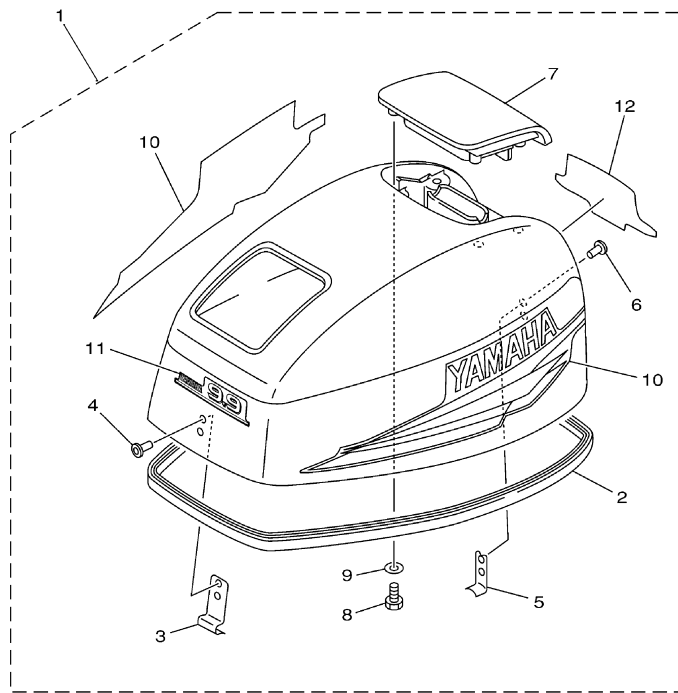


15MSHZ 2001 / TOP COWLING



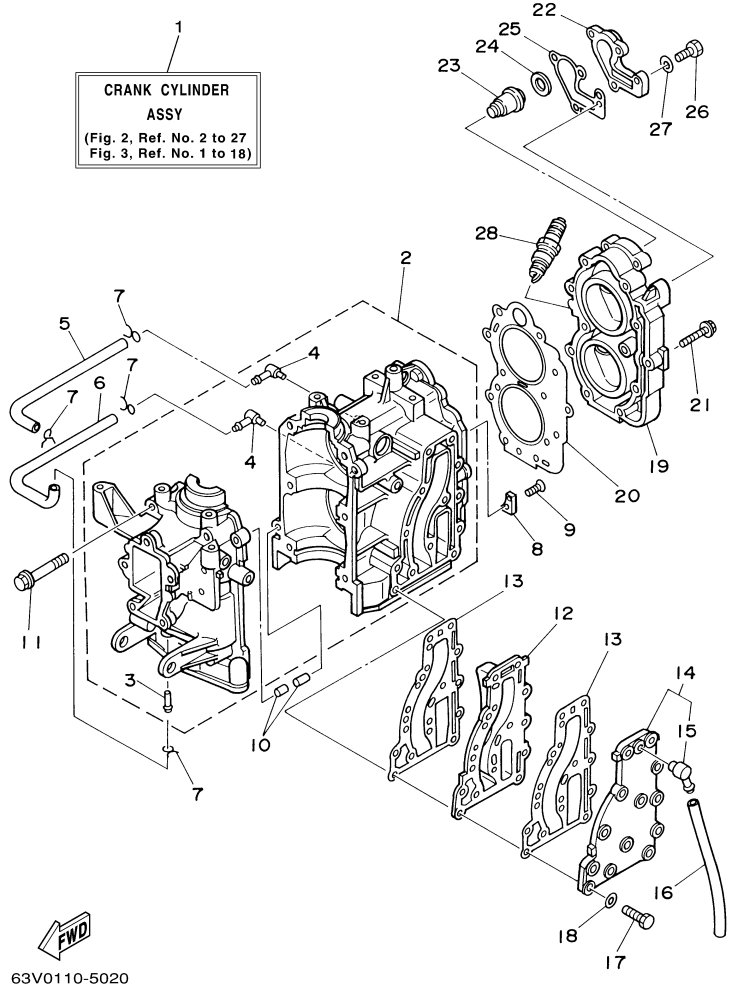
63V0100-1010

Part List

15MSHZ 2001 / TOP COWLING

| REF - NO | PART NUMBER | PART NAME | QUANTITY | REMARKS |
|----------------|-----------------|---------------------|----------|--------------|
| 1 | 63W-42610-12-4D | TOP COWLING ASSY | 1 | UR 15MH (MH) |
| 2 | 63V-42615-00-00 | .SEAL | 1 | (MH) |
| 3 | 6G1-42651-02-00 | .HOOK | 1 | (MH) |
| 4 | 90266-04M04-00 | .RIVET | 2 | (MH) |
| 5 | 6L2-42647-00-00 | .HOLDER, CLAMP BAND | 1 | (MH) |
| 6 | 90266-04M04-00 | .RIVET | 2 | (MH) |
| 7 | 63V-42613-00-4D | .MOLDING, AIR DUCT | 1 | (MH) |
| 8 | 97095-06016-00 | .BOLT | 4 | (MH) |
| 9 | 92995-06600-00 | .WASHER | 4 | (MH) |
| 10 | 63V-W0070-11-00 | .GRAPHIC SET | 1 | (MH) |
| 11 | 63W-42677-11-00 | .GRAPHIC, FRONT | 1 | UR 15MH (MH) |
| 12 | 63W-42678-10-00 | .GRAPHIC, REAR | 1 | UR 15MH (MH) |

15MSHZ 2001 / CYLINDER CRANKCASE



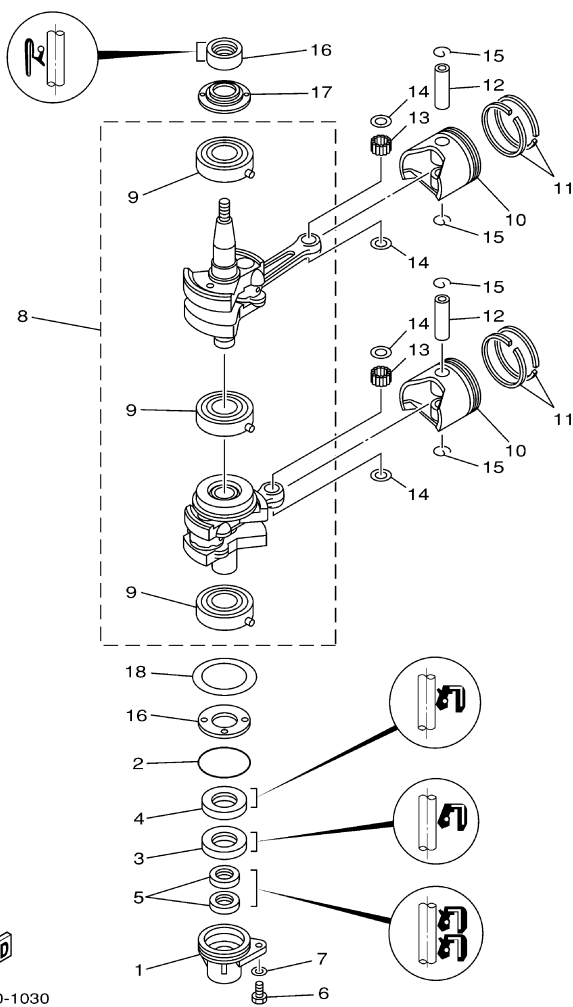
©2014 Yamaha Motor Corporation, U.S.A. All rights reserved.

Part List

15MSHZ 2001 / CYLINDER CRANKCASE

| REF - NO | PART NUMBER | PART NAME | QUANTITY | REMARKS |
|----------------|-----------------|---------------------------------|----------|---------|
| 1 | 63V-W0090-03-1S | CRANK CYLINDER ASSY | 1 | (MH) |
| 2 | 63V-15100-02-1S | CRANKCASE ASSY | 1 | (MH) |
| 3 | 624-14485-00-00 | .PIPE, JOINT | 1 | (MH) |
| 4 | 650-14485-02-00 | .PIPE, JOINT | 2 | (MH) |
| 5 | 90445-07M08-00 | HOSE (L220) | 1 | (MH) |
| 6 | 90445-07M08-00 | HOSE (L220) | 1 | (MH) |
| 7 | 90467-06016-00 | CLIP | 4 | (MH) |
| 8 | 682-11325-00-00 | ANODE | 1 | (MH) |
| 9 | 98780-05015-00 | SCREW, FLAT HEAD | 1 | (MH) |
| 10 | 93606-12019-00 | .PIN, DOWEL | 2 | (MH) |
| 11 | 90119-08M07-00 | BOLT, WITH WASHER | 6 | (MH) |
| 12 | 63V-41111-00-1S | INNER COVER, EXHAUST | 1 | (MH) |
| 13 | 63V-41112-A0-00 | .GASKET, EXHAUST INNER COVER | 2 | (MH) |
| 14 | 63V-41113-00-1S | OUTER COVER, EXHAUST | 1 | (MH) |
| 15 | 676-11372-00-00 | .NIPPLE, HOSE | 1 | (MH) |
| 16 | 90445-09105-00 | HOSE (L300) | 1 | (MH) |
| 17 | 97013-06030-00 | BOLT | 13 | (MH) |
| 18 | 92903-06600-00 | WASHER, PLATE | 13 | (MH) |
| 19 | 6E7-11111-01-1S | HEAD, CYLINDER 1 | 1 | (MH) |
| 20 | 63V-11181-A1-00 | .GASKET, CYLINDER HEAD 1 | 1 | (MH) |
| 21 | 90105-07M05-00 | BOLT, FLANGE | 11 | (MH) |
| 22 | 682-12413-00-1S | COVER, THERMOSTAT | 1 | (MH) |
| 23 | 6E5-12411-20-00 | THERMOSTAT | 1 | (MH) |
| 24 | 90201-16M03-00 | WASHER, PLATE | 1 | (MH) |
| 25 | 682-12414-A1-00 | .GASKET, COVER | 1 | (MH) |
| 26 | 97013-06020-00 | BOLT | 4 | (MH) |
| 27 | 92903-06600-00 | WASHER, PLATE | 4 | (MH) |
| 28 | NGK-B7HS1-00-00 | PLUG, SPARK (NGK B7HS- 10) | 2 | (MH) |

15MSHZ 2001 / CRANKSHAFT PISTON



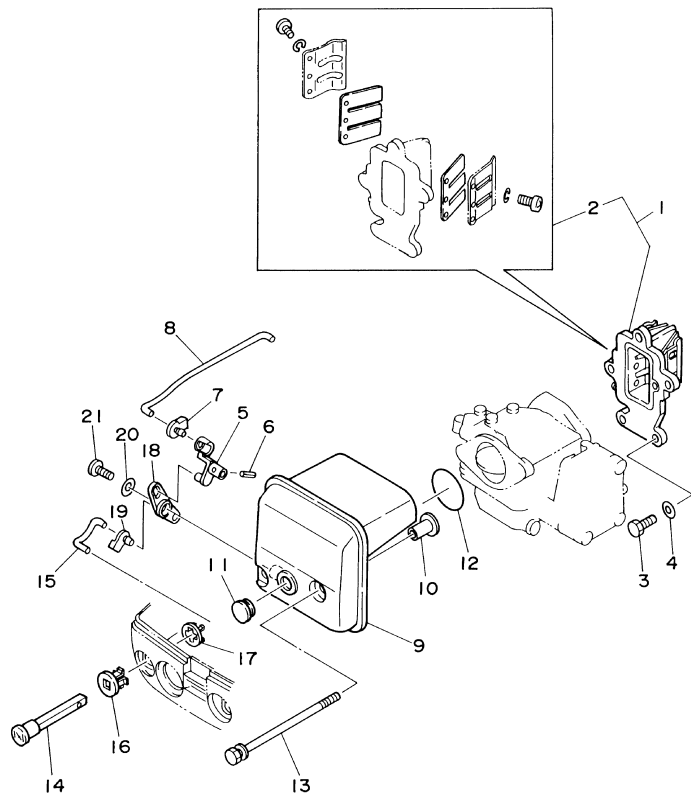

63V0110-1030

Part List

15MSHZ 2001 / CRANKSHAFT PISTON

| REF - NO | PART NUMBER | PART NAME | QUANTITY | REMARKS |
|----------------|-----------------|---------------------------------|----------|---------|
| 1 | 63V-15396-01-94 | HOUSING, OIL SEAL | 1 | (MH) |
| 2 | 93210-46M16-00 | .O-RING | 1 | (MH) |
| 3 | 93101-25018-00 | .OIL SEAL | 1 | (MH) |
| 4 | 93102-25M48-00 | .OIL SEAL | 1 | (MH) |
| 5 | 93101-13018-00 | .OIL SEAL | 2 | (MH) |
| 6 | 97095-06016-00 | BOLT | 1 | (MH) |
| 7 | 92995-06600-00 | WASHER | 1 | (MH) |
| 8 | 63V-11400-01-00 | CRANKSHAFT ASSY | 1 | (MH) |
| 9 | 93306-205U7-00 | .BEARING | 3 | (MH) |
| 10 | 6E7-11631-00-97 | PISTON (STD) | 2 | (MH) |
| 10 | 6E7-11635-00-00 | PISTON (0.25MM O/S) | 2 | AP (MH) |
| 10 | 6E7-11636-00-00 | PISTON (0.50MM O/S) | 2 | AP (MH) |
| 11 | 682-11610-01-00 | PISTON RING SET (STD) | 2 | (MH) |
| 11 | 682-11610-11-00 | PISTON RING SET (0.25MM O/S) | 2 | AP (MH) |
| 11 | 682-11610-21-00 | PISTON RING SET (0.50MM O/S) | 2 | AP (MH) |
| 12 | 634-11633-00-00 | PIN, PISTON | 2 | (MH) |
| 13 | 93602-14104-00 | PIN, DOWEL | 50 | (MH) |
| 14 | 90201-14377-00 | WASHER, PLATE | 4 | (MH) |
| 15 | 93450-15023-00 | CIRCLIP | 4 | (MH) |
| 16 | 93110-23M00-00 | .OIL SEAL | 1 | (MH) |
| 17 | 63V-11445-00-00 | .SPACER | 2 | (MH) |
| 18 | 90201-46M29-00 | .WASHER, PLATE | 1 | (MH) |

15MSHZ 2001 / INTAKE



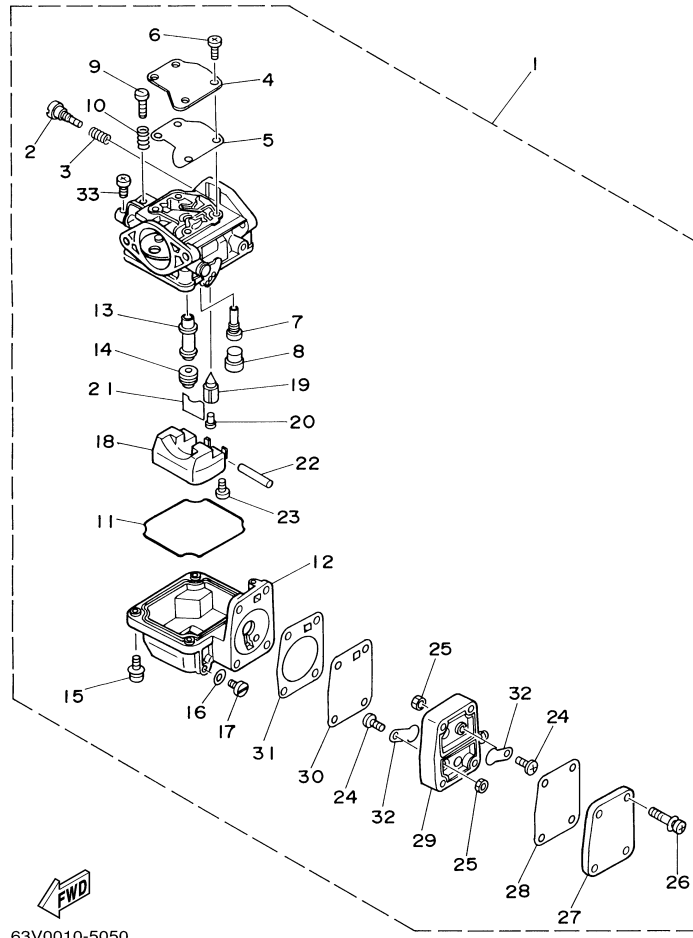

63V0010-5040

Part List

15MSHZ 2001 / INTAKE

| REF - NO | PART NUMBER | PART NAME | QUANTITY | REMARKS |
|----------------|-----------------|-----------------------|----------|--------------|
| 1 | 63W-13610-00-00 | REED VALVE ASSY | 1 | UR 15MH (MH) |
| 2 | 682-W0004-00-00 | .REED SET | 1 | (MH) |
| 3 | 97095-06020-00 | BOLT | 3 | (MH) |
| 4 | 92995-06600-00 | WASHER | 3 | (MH) |
| 5 | 63V-41253-00-00 | LEVER, CHOKE | 1 | (MH) |
| 6 | 91690-20010-00 | PIN, SPRING | 1 | (MH) |
| 7 | 63V-41262-00-00 | JOINT, CHOKE LEVER | 1 | (MH) |
| 8 | 63V-41257-00-00 | ROD, CHOKE 2 | 1 | (MH) |
| 9 | 63V-14440-00-00 | SILENCER ASSY, INTAKE | 1 | (MH) |
| 10 | 90387-06M15-00 | COLLAR | 2 | (MH) |
| 11 | 90480-12M25-00 | GROMMET | 1 | (MH) |
| 12 | 93210-35M86-00 | .O-RING | 1 | (MH) |
| 13 | 90119-06M94-00 | BOLT, WITH WASHER | 2 | (MH) |
| 14 | 6H4-41271-01-00 | KNOB, CHOKE | 1 | (MH) |
| 15 | 63V-41256-00-00 | ROD, CHOKE 1 | 1 | (MH) |
| 16 | 689-41273-00-00 | GROMMET | 1 | (MH) |
| 17 | 6J8-41274-00-00 | GROMMET 2 | 1 | (MH) |
| 18 | 63V-41252-00-00 | LEVER, CHOKE 1 | 1 | (MH) |
| 19 | 661-41262-02-00 | JOINT, CHOKE LEVER | 1 | (MH) |
| 20 | 90201-05M09-00 | WASHER, PLATE | 1 | (MH) |
| 21 | 90164-05M03-00 | SCREW, TAPPING | 1 | (MH) |

15MSHZ 2001 / CARBURETOR

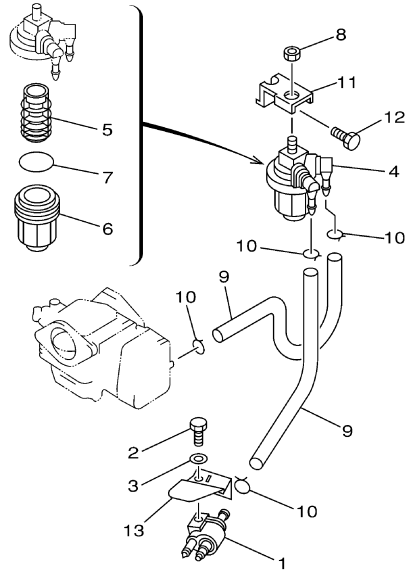


Part List

15MSHZ 2001 / CARBURETOR

| REF - NO | PART NUMBER | PART NAME | QUANTITY | REMARKS |
|----------------|-----------------|------------------------|----------|---------|
| 1 | 63V-14301-00-00 | CARBURETOR ASSY 1 | 1 | (MH) |
| 2 | 679-14923-00-00 | .SCREW, PILOT | 1 | (MH) |
| 3 | 679-14555-00-00 | .SPRING | 1 | (MH) |
| 4 | 63V-14527-00-00 | .PLATE | 1 | (MH) |
| 5 | 63V-14126-00-00 | .GASKET | 1 | (MH) |
| 6 | 97803-04010-00 | .SCREW, PAN HEAD | 4 | (MH) |
| 7 | 63V-14948-06-00 | .JET (#48) | 1 | (MH) |
| 8 | 679-14966-00-00 | .RUBBER CAP | 1 | (MH) |
| 9 | 63V-14523-00-00 | .SCREW, STOP | 1 | (MH) |
| 10 | 90501-10326-00 | .SPRING, COMPRESSION | 1 | (MH) |
| 11 | 63V-14984-00-00 | .GASKET, FLOAT CHAMBER | 1 | (MH) |
| 12 | 63V-14980-00-00 | .BODY, FLOAT CHAMBER | 1 | (MH) |
| 13 | 63V-14947-00-00 | .JET, NEEDLE | 1 | (MH) |
| 14 | 676-14943-29-00 | .JET, MAIN (#110) | 1 | (MH) |
| 15 | 97980-04114-00 | .SCREW, WITH WASHER | 4 | (MH) |
| 16 | 6G1-14398-00-00 | .WASHER | 1 | (MH) |
| 17 | 6G1-14992-00-00 | .SCREW, DRAIN | 1 | (MH) |
| 18 | 63V-14985-00-00 | .FLOAT | 1 | (MH) |
| 19 | 6G1-14546-00-00 | .VALVE, NEEDLE | 1 | (MH) |
| 20 | 676-14186-00-00 | .PIN, FLOAT | 1 | (MH) |
| 21 | 663-14159-00-00 | .CLIP | 1 | (MH) |
| 22 | 6H4-14548-00-00 | .PIN, FLOAT ARM | 1 | (MH) |
| 23 | 98580-04008-00 | .SCREW, PAN HEAD | 1 | (MH) |
| 24 | 98980-03006-00 | .SCREW, BIND | 2 | (MH) |
| 25 | 95380-03600-00 | .NUT | 2 | (MH) |
| 26 | 97980-04125-00 | .SCREW, WITH WASHER | 4 | (MH) |
| 27 | 6G1-24452-00-00 | .COVER | 1 | (MH) |
| 28 | 63V-24411-00-00 | .DIAPHRAGM | 1 | (MH) |
| 29 | 6G1-24412-01-00 | .BODY 1 | 1 | (MH) |
| 30 | 6G1-24411-00-00 | .DIAPHRAGM | 1 | (MH) |
| 31 | 6G1-24431-01-00 | .GASKET, FUEL PUMP 1 | 1 | (MH) |
| 32 | 6L5-24421-00-00 | .VALVE, CHECK | 2 | (MH) |
| 33 | 98580-04006-00 | .SCREW, PAN HEAD | 1 | (MH) |

15MSHZ 2001 / FUEL



63V0010-1060

Part List

15MSHZ 2001 / FUEL

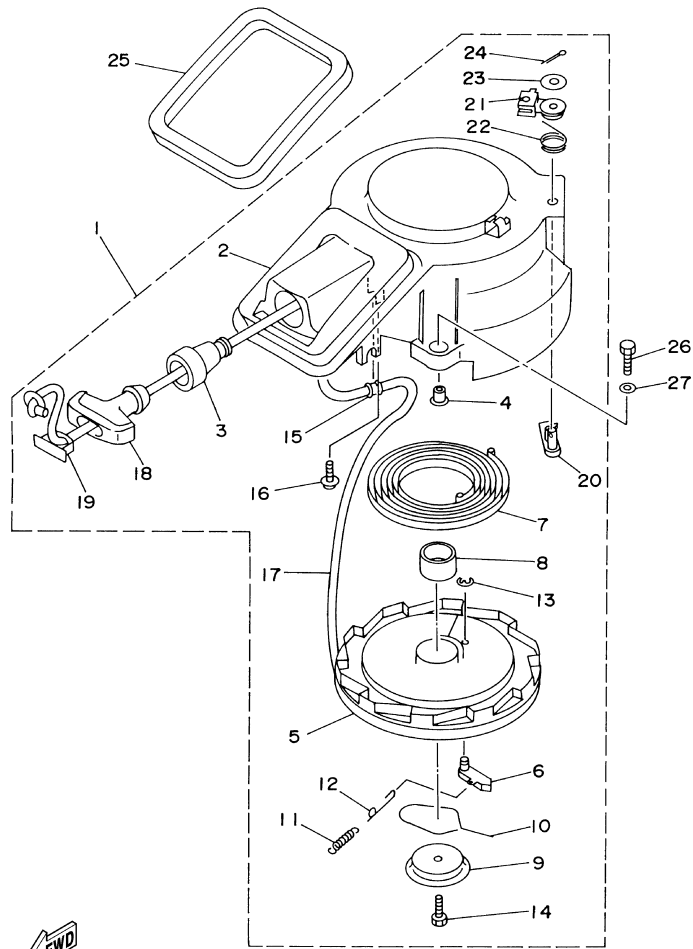
| REF - NO | PART NUMBER | PART NAME | QUANTITY | REMARKS |
|----------------|-----------------|-------------------------|----------|---------|
| 1 | 6G1-24304-02-00 | FUEL PIPE JOINT COMP. 1 | 1 | (MH) |
| 2 | 97095-06020-00 | BOLT | 1 | (MH) |
| 3 | 92995-06600-00 | WASHER | 1 | (MH) |
| 4 | 61N-24560-00-00 | FILTER ASSY | 1 | (MH) |
| 5 | 61N-24563-00-00 | .ELEMENT, FILTER | 1 | (MH) |
| 6 | 61N-24521-00-00 | .CUP, FILTER | 1 | (MH) |
| 7 | 93210-32738-00 | .O-RING | 1 | (MH) |
| 8 | 95380-08600-00 | NUT | 1 | (MH) |
| 9 | 90445-09M00-00 | HOSE (L180) | 2 | (MH) |
| 10 | 90467-08004-00 | CLIP | 4 | (MH) |
| 11 | 682-24566-01-00 | BRACKET, FILTER | 1 | (MH) |
| 12 | 97013-06010-00 | BOLT | 1 | (MH) |
| 13 | 63V-24396-01-00 | PLATE | 1 | (MH) |

Part List

15MSHZ 2001 / FUEL 2

| REF - NO | PART NUMBER | PART NAME | QUANTITY | REMARKS |
|----------------|-----------------|-------------------------|----------|---------|
| 1 | 6Y1-24306-53-00 | FUEL PIPE COMP. 1 | 1 | AP (MH) |
| 2 | 90445-11M06-00 | .HOSE (L2050) | 1 | (MH) |
| 3 | 6Y1-24360-52-00 | .PRIMER PUMP ASSY | 1 | (MH) |
| 4 | 90445-11M05-00 | .HOSE (L850) | 1 | (MH) |
| 5 | 650-24351-51-00 | .BAND 1 | 4 | (MH) |
| 6 | 6G1-24305-03-00 | .FUEL PIPE JOINT COMP 2 | 1 | (MH) |
| 7 | 93210-08287-00 | ..O-RING | 1 | (MH) |
| 8 | 6Y1-24305-04-00 | .FUEL PIPE JOINT COMP 2 | 1 | (MH) |
| 9 | 93210-08287-00 | ..O-RING | 1 | (MH) |

15MSHZ 2001 / STARTER



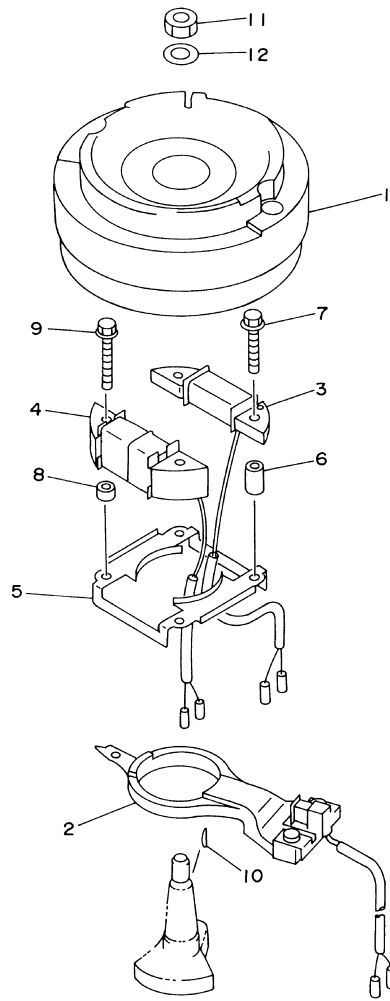
63V0010-5070

Part List

15MSHZ 2001 / STARTER

| REF - NO | PART NUMBER | PART NAME | QUANTITY | REMARKS |
|----------------|-----------------|------------------------|----------|-------------------------|
| 1 | 63V-15710-12-00 | STARTER ASSY | 1 | WITH SAFETY DEVICE (MH) |
| 2 | 63V-15711-01-00 | .CASE, STARTER | 1 | (MH) |
| 3 | 63V-15795-01-00 | .GUIDE, ROPE | 1 | (MH) |
| 4 | 90387-06M05-00 | .COLLAR | 3 | (MH) |
| 5 | 63V-15714-00-00 | .DRUM, SHEAVE | 1 | (MH) |
| 6 | 63V-15741-00-00 | .PAWL, DRIVE | 1 | (MH) |
| 7 | 63V-15713-00-00 | .SPRING, STARTER | 1 | (MH) |
| 8 | 63V-15753-00-00 | .BUSH | 1 | (MH) |
| 9 | 63V-15716-00-00 | .PLATE, DRIVE | 1 | (MH) |
| 10 | 63V-15705-01-00 | .SPRING, DRIVE PAWL | 1 | (MH) |
| 11 | 63V-15767-01-00 | .SPRING | 1 | (MH) |
| 12 | 63V-15784-01-00 | .SPRING, RETURN | 1 | (MH) |
| 13 | 63V-15744-00-00 | .CIRCLIP | 1 | (MH) |
| 14 | 63V-15768-00-00 | .BOLT | 1 | (MH) |
| 15 | 63V-15764-00-00 | .COLLAR 1 | 1 | (MH) |
| 16 | 63V-15793-00-00 | .SCREW | 1 | (MH) |
| 17 | 90580-50M01-00 | .ROPE, STARTER | 1 | (MH) |
| 18 | 6G1-15755-00-00 | .HANDLE, STARTER | 1 | (MH) |
| 19 | 6G1-15779-00-00 | .COVER | 1 | (MH) |
| 20 | 63V-15794-00-00 | .STOPPER | 1 | (MH) |
| 21 | 63V-15748-00-00 | .PLUNGER, STARTER STOP | 1 | (MH) |
| 22 | 63V-15734-00-00 | .SPRING, RETURN | 1 | (MH) |
| 23 | 63V-15726-00-00 | .WASHER, FLAT | 1 | (MH) |
| 24 | 91490-16018-00 | .PIN COTTER | 1 | (MH) |
| 25 | 63V-15762-00-00 | SEAL, RUBBER 2 | 1 | (MH) |
| 26 | 97095-06020-00 | BOLT | 3 | (MH) |
| 27 | 92995-06600-00 | WASHER | 3 | (MH) |

15MSHZ 2001 / GENERATOR



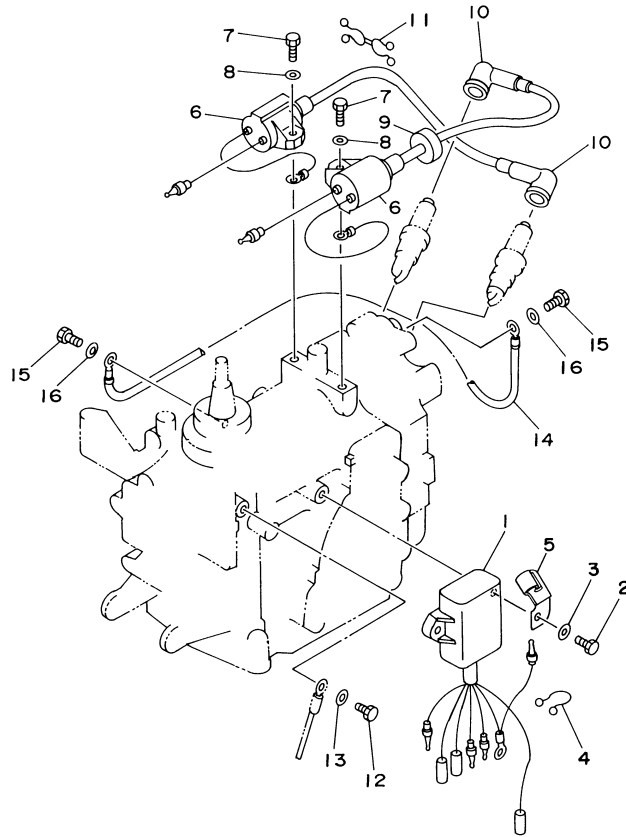

63V0010-5080

Part List

15MSHZ 2001 / GENERATOR

| REF - NO | PART NUMBER | PART NAME | QUANTITY | REMARKS |
|----------------|-----------------|------------------------|----------|---------|
| 1 | 63V-85550-10-00 | ROTOR ASSY | 1 | (MH) |
| 2 | 63V-85580-00-00 | COIL, PULSER | 1 | (MH) |
| 3 | 63V-85520-00-00 | COIL, CHARGE | 1 | (MH) |
| 4 | 63V-85533-00-00 | COIL, LIGHTING | 1 | (MH) |
| 5 | 63V-41611-00-00 | RETAINER, MAGNETO BASE | 1 | (MH) |
| 6 | 90387-06M53-00 | COLLAR | 2 | (MH) |
| 7 | 90105-06M68-00 | BOLT, FLANGE | 2 | (MH) |
| 8 | 90387-06M24-00 | COLLAR | 2 | (MH) |
| 9 | 90105-06M69-00 | BOLT, FLANGE | 2 | (MH) |
| 10 | 90280-05013-00 | KEY, WOODRUFF | 1 | (MH) |
| 11 | 90170-12066-00 | NUT | 1 | (MH) |
| 12 | 90201-12472-00 | WASHER, PLATE | 1 | (MH) |

15MSHZ 2001 / ELECTRICAL 1



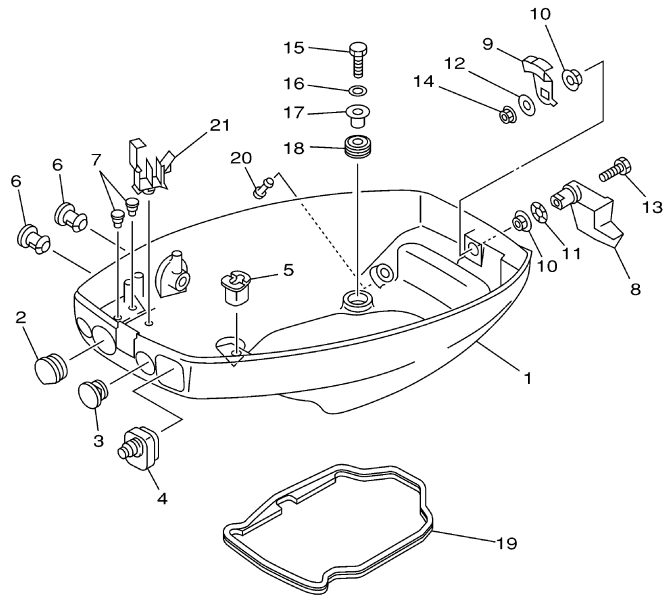
63V0010-5090

Part List

15MSHZ 2001 / ELECTRICAL 1

| REF - NO | PART NUMBER | PART NAME | QUANTITY | REMARKS |
|----------------|-----------------|--------------------|----------|---------|
| 1 | 63V-85540-01-00 | C.D.I. UNIT ASSY | 1 | (MH) |
| 2 | 97095-06020-00 | BOLT | 2 | (MH) |
| 3 | 92995-06600-00 | WASHER | 2 | (MH) |
| 4 | 90464-15M11-00 | CLAMP | 1 | (MH) |
| 5 | 90465-08M61-00 | CLAMP | 1 | (MH) |
| 6 | 63V-85570-00-00 | IGNITION COIL ASSY | 2 | (MH) |
| 7 | 97095-06018-00 | .BOLT | 2 | (MH) |
| 8 | 92995-06600-00 | WASHER | 2 | (MH) |
| 9 | 90480-25161-00 | GROMMET | 1 | (MH) |
| 10 | 663-82370-01-00 | PLUG CAP ASSY | 2 | (MH) |
| 11 | 90464-08M02-00 | CLAMP | 1 | (MH) |
| 12 | 97095-06012-00 | BOLT | 1 | (MH) |
| 13 | 92995-06600-00 | WASHER | 1 | (MH) |
| 14 | 662-82519-00-00 | WIRE, EARTH LEAD | 1 | (MH) |
| 15 | 97095-06012-00 | BOLT | 2 | (MH) |
| 16 | 92995-06600-00 | WASHER | 2 | (MH) |

15MSHZ 2001 / BOTTOM COWLING



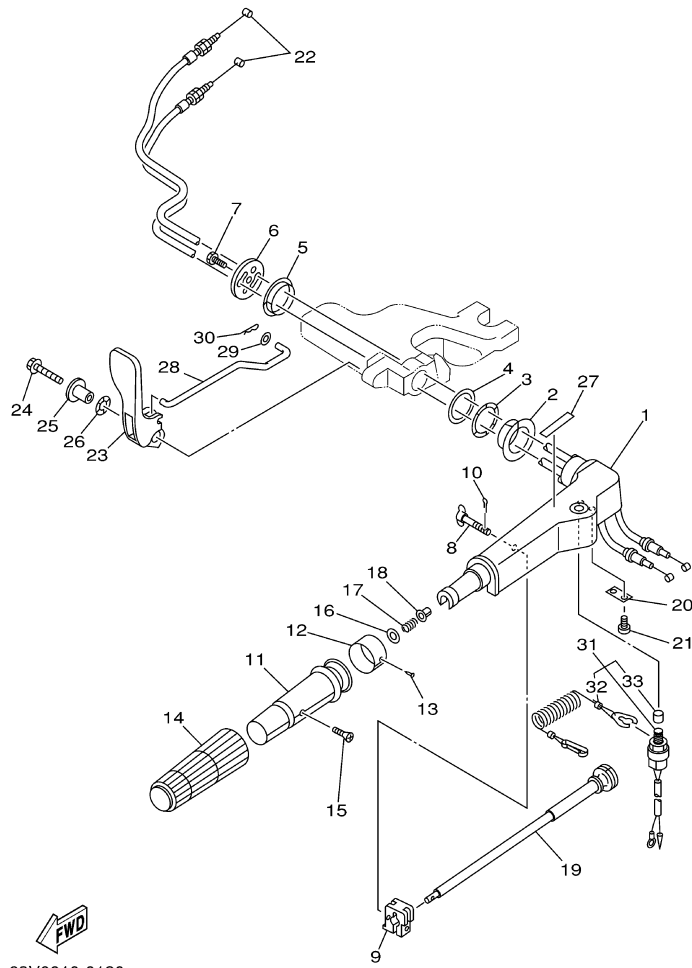

63V0100-1110

Part List

15MSHZ 2001 / BOTTOM COWLING

| REF - NO | PART NUMBER | PART NAME | QUANTITY | REMARKS |
|----------------|-----------------|-------------------|----------|---------|
| 1 | 63V-42711-03-4D | COWLING, BOTTOM 1 | 1 | (MH) |
| 2 | 682-42724-00-00 | GROMMET | 1 | (MH) |
| 3 | 682-42725-02-00 | GROMMET | 1 | (MH) |
| 4 | 63V-42726-00-00 | GROMMET | 1 | (MH) |
| 5 | 682-42727-00-00 | GROMMET | 1 | (MH) |
| 6 | 6G1-42748-00-00 | GROMMET | 2 | (MH) |
| 7 | 90480-06M19-00 | GROMMET | 2 | (MH) |
| 8 | 63V-42815-01-4D | LEVER, CLAMP | 1 | (MH) |
| 9 | 6E7-42816-00-00 | LEVER, CLAMP | 1 | (MH) |
| 10 | 90386-12M45-00 | BUSH | 2 | (MH) |
| 11 | 90206-12052-00 | WASHER, WAVE | 1 | (MH) |
| 12 | 90201-06068-00 | WASHER, PLATE | 1 | (MH) |
| 13 | 97095-06025-00 | BOLT | 1 | (MH) |
| 14 | 95380-06700-00 | NUT | 1 | (MH) |
| 15 | 97095-06025-00 | BOLT | 4 | (MH) |
| 16 | 92995-06600-00 | WASHER | 4 | (MH) |
| 17 | 90387-06M52-00 | COLLAR | 4 | (MH) |
| 18 | 90480-15M31-00 | GROMMET | 4 | (MH) |
| 19 | 63V-42716-02-00 | RUBBER, SEAL 1 | 1 | (MH) |
| 20 | 6H3-44391-01-00 | NIPPLE, HOSE | 1 | (MH) |
| 21 | 90465-25M57-00 | CLAMP | 1 | (MH) |

15MSHZ 2001 / STEERING




63V0010-0130



Part List

15MSHZ 2001 / STEERING

| REF - NO | PART NUMBER | PART NAME | QUANTITY | REMARKS |
|----------|-----------------|-----------------------------------|----------|---------|
| 1 | 63V-42111-00-4D | HANDLE, STEERING | 1 | (MH) |
| 2 | 90386-34M97-00 | BUSH | 1 | (MH) |
| 3 | 90206-36M21-00 | WASHER, WAVE | 1 | (MH) |
| 4 | 90202-36M55-00 | WASHER, PLATE | 1 | (MH) |
| 5 | 90386-33M96-00 | BUSH | 1 | (MH) |
| 6 | 6G1-42131-01-00 | COVER, HANDLE STEERING | 1 | (MH) |
| 7 | 97095-06020-00 | BOLT | 1 | (MH) |
| 8 | 6G1-42125-01-00 | BOLT, FRICTION ADJUSTING | 1 | (MH) |
| 9 | 6G1-42126-00-00 | FRICTION, STEERING HANDLE GRIP | 1 | (MH) |
| 10 | 91490-16010-00 | PIN. COTTER | 1 | (MH) |
| 11 | 664-42119-00-00 | GRIP, STEERING HANDLE | 1 | (MH) |
| 12 | 6H2-42137-00-00 | INDICATOR, THROTTLE | 1 | (MH) |
| 13 | 90269-02M09-00 | RIVET | 1 | (MH) |
| 14 | 6G1-42177-00-00 | RUBBER, HANDLE | 1 | (MH) |
| 15 | 90149-05M13-00 | SCREW | 1 | (MH) |
| 16 | 92903-10600-00 | WASHER, PLATE | 1 | (MH) |
| 17 | 90501-23215-00 | SPRING, COMPRESSION | 1 | (MH) |
| 18 | 90386-08032-00 | BUSH | 1 | (MH) |
| 19 | 6G1-42138-01-00 | LEVER, THROTTLE | 1 | (MH) |
| 20 | 6E0-42159-02-00 | STAY | 1 | (MH) |
| 21 | 97885-05012-00 | SCREW, PAN HEAD | 2 | (MH) |
| 22 | 6L2-26301-00-00 | THROTTLE CABLE ASSY | 2 | (MH) |
| 23 | 63V-44111-02-00 | HANDLE, GEAR SHIFT | 1 | (MH) |
| 24 | 90119-06M05-00 | BOLT, WITH WASHER | 1 | (MH) |
| 25 | 90387-06M86-00 | .COLLAR | 1 | (MH) |
| 26 | 90206-15M18-00 | WASHER, WAVE | 1 | (MH) |
| 27 | 6E0-44191-11-00 | INDICATOR, SHIFT | 1 | (MH) |
| 28 | 63V-44124-02-00 | LINK, SHIFT ROD | 1 | (MH) |
| 29 | 90202-06009-00 | WASHER, PLATE | 1 | (MH) |
| 30 | 90468-18008-00 | CLIP | 1 | (MH) |
| 31 | 65W-82575-00-00 | ENGINE STOP SWITCH ASSY | 1 | (MH) |
| 32 | 682-82556-00-00 | .LANYARD, STOP SWITCH | 1 | (MH) |
| 33 | 689-8257Y-00-00 | .CAP | 1 | (MH) |

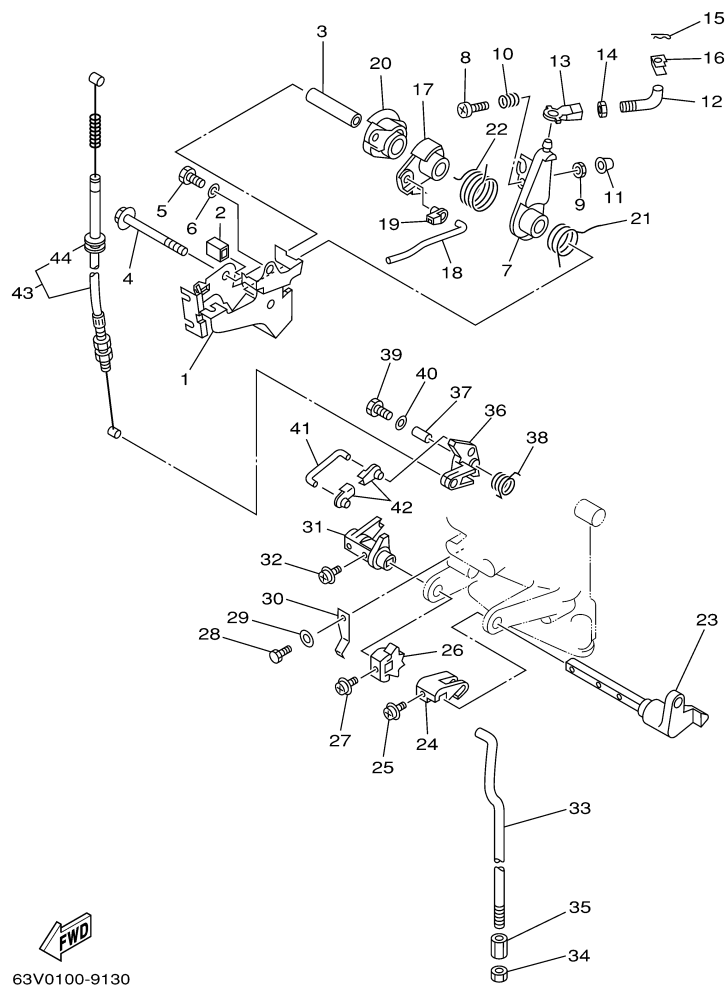
Part Notes

15MSHZ 2001 / STEERING

| PART NUMBER | NOTE TEXT |
|---|--|
| 90468-18008-00  | OEM: This part number is among the Top 100 Most Popular Marine Maintenance Parts as of March 2014. |
| 682-82556-00-00  | OEM: This part number is among the Top 100 Most Popular Marine Maintenance Parts as of March 2014. |

©2014 Yamaha Motor Corporation, U.S.A. All rights reserved.

15MSHZ 2001 / CONTROL



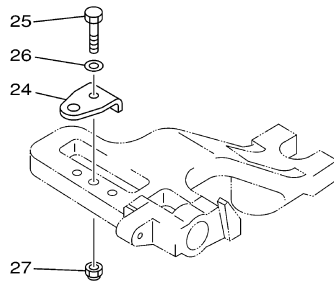
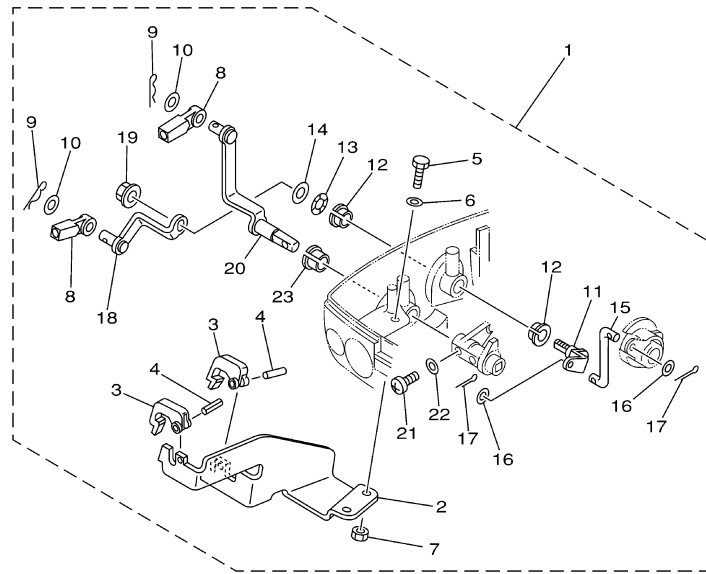
63V0100-9130

Part List

15MSHZ 2001 / CONTROL

| REF - NO | PART NUMBER | PART NAME | QUANTITY | REMARKS |
|----------------|-----------------|---------------------------|----------|---------|
| 1 | 63V-14497-01-00 | STAY, THROTTLE WIRE | 1 | (MH) |
| 2 | 689-44194-00-00 | CAP | 1 | (MH) |
| 3 | 90387-06M50-00 | COLLAR | 1 | (MH) |
| 4 | 95895-06065-00 | BOLT, FLANGE | 1 | (MH) |
| 5 | 97095-06012-00 | BOLT | 1 | (MH) |
| 6 | 92995-06600-00 | WASHER | 1 | (MH) |
| 7 | 63V-41631-00-00 | LEVER, MAGNETO CONTROL | 1 | (MH) |
| 8 | 97885-06030-00 | SCREW, PAN HEAD | 1 | (MH) |
| 9 | 95380-06600-00 | NUT, HEXAGON | 1 | (MH) |
| 10 | 90501-12M16-00 | SPRING, COMPRESSION | 1 | (MH) |
| 11 | 688-44194-00-00 | CAP | 1 | (MH) |
| 12 | 63V-41238-00-00 | JOINT, LINK | 1 | (MH) |
| 13 | 6H4-41237-00-00 | JOINT, LINK | 1 | (MH) |
| 14 | 95380-05700-00 | NUT | 1 | (MH) |
| 15 | 90468-10005-00 | CLIP | 1 | (MH) |
| 16 | 63V-41223-00-00 | WASHER, LOCK 1 | 1 | (MH) |
| 17 | 63V-41283-01-00 | LEVER, FREE ACCEL. | 1 | (MH) |
| 18 | 63V-41211-00-00 | LINK, ACCEL. | 1 | (MH) |
| 19 | 661-41262-02-00 | JOINT, CHOKE LEVER | 1 | (MH) |
| 20 | 63V-41638-00-00 | PULLEY | 1 | (MH) |
| 21 | 90508-16M37-00 | SPRING, TORSION | 1 | (MH) |
| 22 | 90508-20M38-00 | SPRING, TORSION | 1 | (MH) |
| 23 | 63V-44123-01-00 | ARM, SHIFT ROD | 1 | (MH) |
| 24 | 63V-44121-01-00 | LEVER, SHIFT ROD | 1 | (MH) |
| 25 | 90159-05M25-00 | .SCREW, WITH WASHER | 1 | (MH) |
| 26 | 63V-44125-00-00 | LEVER, SHIFT ROD | 1 | (MH) |
| 27 | 90159-05M25-00 | .SCREW, WITH WASHER | 1 | (MH) |
| 28 | 97095-06012-00 | BOLT | 1 | (MH) |
| 29 | 92995-06600-00 | WASHER | 1 | (MH) |
| 30 | 63V-44116-00-00 | SPRING | 1 | (MH) |
| 31 | 63V-44122-01-00 | BUSHING, SHIFT ROD LEVER | 1 | (MH) |
| 32 | 90159-05M25-00 | .SCREW, WITH WASHER | 1 | (MH) |
| 33 | 63V-44143-01-00 | ROD, SHIFT | 1 | (MH) |
| 34 | 95380-06700-00 | NUT | 1 | (MH) |
| 35 | 90170-06015-00 | NUT | 1 | (MH) |
| 36 | 63V-15746-00-00 | ARM | 1 | (MH) |
| 37 | 90387-06M06-00 | COLLAR | 1 | (MH) |
| 38 | 90508-08M39-00 | SPRING, TORSION | 1 | (MH) |
| 39 | 97095-06020-00 | BOLT | 1 | (MH) |
| 40 | 92995-06600-00 | WASHER | 1 | (MH) |
| 41 | 6L2-15747-00-00 | LINK | 1 | (MH) |
| 42 | 661-41262-02-00 | JOINT, CHOKE LEVER | 2 | (MH) |
| 43 | 63V-15770-00-00 | CABLE COMP., STARTER STOP | 1 | (MH) |
| 44 | 90480-10M16-00 | .GROMMET | 1 | (MH) |

15MSHZ 2001 / REMO CON ATTACHMENT



63V0100-0140



Part List

15MSHZ 2001 / REMO CON ATTACHMENT

| REF - NO | PART NUMBER | PART NAME | QUANTITY | REMARKS |
|----------|-----------------|-------------------------------|----------|---------|
| 1 | 63V-48501-00-00 | REMOTE CONT. ATTACHMENT ASSY. | 1 | AP (MH) |
| 2 | 63V-48531-00-00 | .BRACKET, REMOTE CONTROL 1 | 1 | (MH) |
| 3 | 682-48538-50-00 | .CLAMP, CABLE 1 | 2 | (MH) |
| 4 | 91590-30012-00 | .PIN, CLEVIS | 2 | (MH) |
| 5 | 97095-06016-00 | .BOLT | 2 | (MH) |
| 6 | 92990-06600-00 | .WASHER, PLATE | 2 | (MH) |
| 7 | 95380-06600-00 | .NUT, HEXAGON | 2 | (MH) |
| 8 | 663-48344-00-00 | .CABLE END, REMOTE CONTROL | 2 | (MH) |
| 9 | 90468-18008-00 | .CLIP | 2 | (MH) |
| 10 | 90201-08M12-00 | .WASHER, PLATE | 2 | (MH) |
| 11 | 63V-42154-00-00 | .LEVER, THROTTLE CONTROL | 1 | (MH) |
| 12 | 90386-10025-00 | .BUSH | 2 | (MH) |
| 13 | 90206-10M04-00 | .WASHER, WAVE | 1 | (MH) |
| 14 | 90201-10M02-00 | .WASHER, PLATE | 1 | (MH) |
| 15 | 63V-42192-00-00 | .ROD 2 | 1 | (MH) |
| 16 | 90201-04M06-00 | .WASHER, PLATE | 2 | (MH) |
| 17 | 91490-20010-00 | .PIN COTTER | 2 | (MH) |
| 18 | 63V-48534-00-00 | .THROTTLE LEVER, CONTROL | 1 | (MH) |
| 19 | 95780-08300-00 | .NUT, FLANGE | 1 | (MH) |
| 20 | 63V-48544-00-00 | .LEVER, SHIFTCONTROL | 1 | (MH) |
| 21 | 97885-05012-00 | .SCREW, PAN HEAD | 1 | (MH) |
| 22 | 92990-05600-00 | .WASHER, PLATE | 1 | (MH) |
| 23 | 90386-10009-00 | .BUSH | 1 | (MH) |
| 24 | 63V-48511-01-00 | HOOK, STEERING | 1 | AP (MH) |
| 25 | 97075-08035-00 | BOLT | 1 | AP (MH) |
| 26 | 92995-08600-00 | WASHER | 1 | AP (MH) |
| 27 | 90185-08057-00 | NUT, SELF-LOCKING | 1 | AP (MH) |

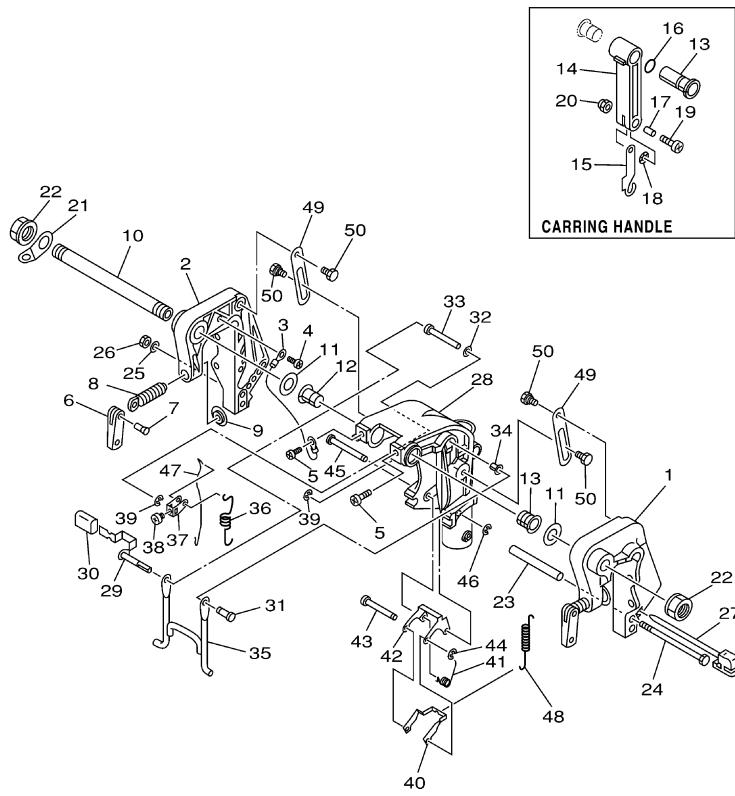
Part Notes

15MSHZ 2001 / REMO CON ATTACHMENT

| PART NUMBER | NOTE TEXT |
|--|--|
| 92990-06600-00  | OEM: This part number is among the Top 100 Most Popular Marine Maintenance Parts as of March 2014. |
| 90468-18008-00  | OEM: This part number is among the Top 100 Most Popular Marine Maintenance Parts as of March 2014. |

©2014 Yamaha Motor Corporation, U.S.A. All rights reserved.

15MSHZ 2001 / BRACKET 1



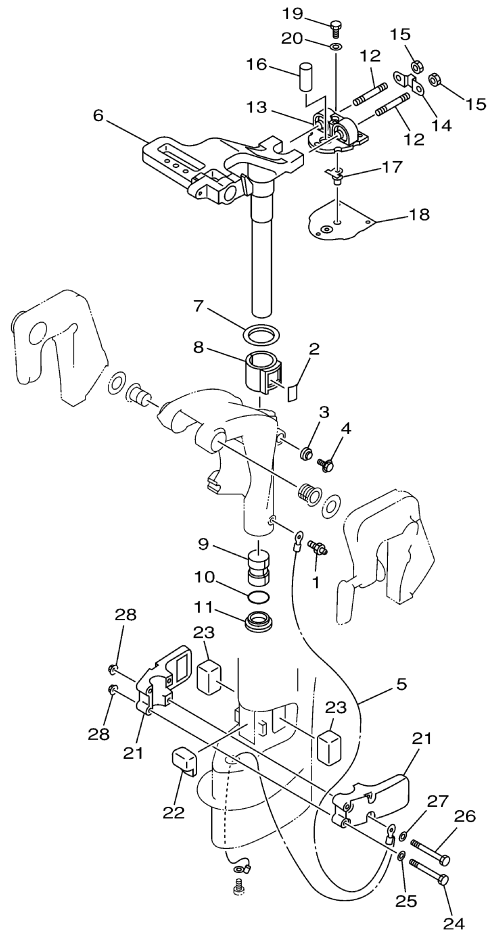
63V0100-1150

Part List

15MSHZ 2001 / BRACKET 1

| REF - NO | PART NUMBER | PART NAME | QUANTITY | REMARKS |
|----------------|-----------------|-----------------------|----------|---------|
| 1 | 63V-43111-05-4D | BRACKET, CLAMP | 1 | (MH) |
| 2 | 63V-43112-06-4D | BRACKET, CLAMP | 1 | (MH) |
| 3 | 66M-82148-00-00 | WIRE, LEAD 4 | 1 | (MH) |
| 4 | 97885-06008-00 | SCREW, PAN HEAD | 1 | (MH) |
| 5 | 97885-08010-00 | SCREW, PAN HEAD | 2 | (MH) |
| 6 | 6E0-43118-01-00 | HANDLE, TRANSOM CLAMP | 2 | (MH) |
| 7 | 90243-04M01-00 | PIN | 2 | (MH) |
| 8 | 6E7-43116-00-00 | SCREW, TRANSOM CLAMP | 2 | (MH) |
| 9 | 648-43114-01-00 | PAD, TRANSOM CLAMP | 2 | (MH) |
| 10 | 63W-43131-00-00 | BOLT, CLAMP BRACKET | 1 | (MH) |
| 11 | 90202-22M54-00 | WASHER, PLATE | 2 | (MH) |
| 12 | 90386-22M94-00 | BUSH | 1 | (MH) |
| 13 | 90386-22M69-00 | BUSH | 1 | (MH) |
| 14 | 63V-42731-00-4D | CARRYING HANDLE | 1 | (MH) |
| 15 | 63V-43676-01-00 | HOOK | 1 | (MH) |
| 16 | 93210-20M65-00 | .O-RING | 1 | (MH) |
| 17 | 90387-06M75-00 | COLLAR | 1 | (MH) |
| 18 | 90206-08010-00 | WASHER, WAVE | 1 | (MH) |
| 19 | 97885-06025-00 | SCREW, PAN HEAD | 1 | (MH) |
| 20 | 95780-06300-00 | NUT, FLANGE | 1 | (MH) |
| 21 | 6J8-43113-01-00 | PLATE, CLAMP BRACKET | 1 | (MH) |
| 22 | 63V-43145-00-00 | CAP, CLAMP BRACKET | 2 | (MH) |
| 23 | 90387-06M13-00 | COLLAR | 1 | (MH) |
| 24 | 90101-06M29-00 | BOLT | 1 | (MH) |
| 25 | 92995-06600-00 | WASHER | 1 | (MH) |
| 26 | 95380-06700-00 | NUT | 1 | (MH) |
| 27 | 6L2-43160-00-00 | TILT ROD ASSY | 1 | (MH) |
| 28 | 63V-43311-03-4D | BRACKET, SWIVEL 1 | 1 | (MH) |
| 29 | 66M-43630-01-00 | TILT LEVER ASSY | 1 | (MH) |
| 30 | 682-43318-01-00 | COVER | 1 | (MH) |
| 31 | 63V-43191-00-00 | SHAFT, STOPPER | 1 | (MH) |
| 32 | 90202-07M60-00 | WASHER, PLATE | 1 | (MH) |
| 33 | 90387-07M07-00 | COLLAR | 1 | (MH) |
| 34 | 90386-07M95-00 | BUSH | 1 | (MH) |
| 35 | 66M-43350-01-00 | RECEIVER ASSY | 1 | (MH) |
| 36 | 90507-20M00-00 | SPRING, TENSION | 1 | (MH) |
| 37 | 63V-43641-01-00 | LEVER, TILT | 1 | (MH) |
| 38 | 90149-05M17-00 | SCREW | 1 | (MH) |
| 39 | 93430-05027-00 | CIRCLIP | 2 | (MH) |
| 40 | 66R-43614-00-00 | PLATE, TILT LOCK | 1 | (MH) |
| 41 | 90508-18M41-00 | SPRING, TORSION | 1 | (MH) |
| 42 | 66R-43615-00-00 | PLATE, TILT LOCK | 1 | (MH) |
| 43 | 66R-43611-00-00 | SHAFT, TILT LOCK | 1 | (MH) |
| 44 | 93430-04M03-00 | CIRCLIP | 1 | (MH) |
| 45 | 63V-43659-00-00 | SHAFT, REVERSE LOCK | 1 | (MH) |
| 46 | 93430-05027-00 | CIRCLIP | 1 | (MH) |
| 47 | 66R-43617-00-00 | ROD, TILT LOCK | 1 | (MH) |
| 48 | 90506-26M38-00 | SPRING, TENSION | 1 | (MH) |
| 49 | 63V-43181-00-00 | LEVER, TILT STOP | 2 | (MH) |
| 50 | 90109-06M84-00 | BOLT | 4 | (MH) |

15MSHZ 2001 / BRACKET 2



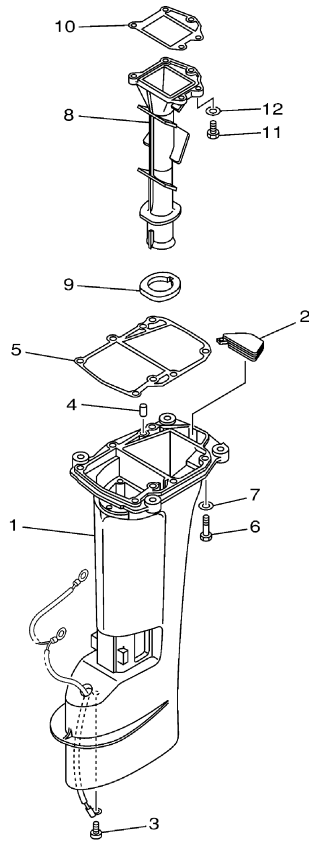
63V0010-1160

Part List

15MSHZ 2001 / BRACKET 2

| REF - NO | PART NUMBER | PART NAME | QUANTITY | REMARKS |
|----------------|-----------------|--------------------------------|----------|---------|
| 1 | 93700-06M03-00 | NIPPLE, GREASE | 1 | (MH) |
| 2 | 63V-42528-00-00 | PLATE, FRICTION | 1 | (MH) |
| 3 | 689-43373-01-00 | SEAL, DAMPER | 1 | (MH) |
| 4 | 90105-06M07-00 | .BOLT, FLANGE | 1 | (MH) |
| 5 | 63V-82127-00-00 | WIRE, LEAD 2 | 1 | (MH) |
| 6 | 63V-42511-04-4D | BRACKET, STEERING | 1 | (MH) |
| 7 | 90209-40008-00 | WASHER | 1 | (MH) |
| 8 | 65F-42537-00-00 | BUSHING, PIVOT SHAFT | 1 | (MH) |
| 9 | 90386-30048-00 | BUSH | 1 | (MH) |
| 10 | 93210-29M94-00 | O-RING | 1 | (MH) |
| 11 | 90386-30M60-00 | BUSH | 1 | (MH) |
| 12 | 90116-08M54-00 | BOLT, STUD | 2 | (MH) |
| 13 | 63V-44514-01-5B | MOUNT DAMPER, UPPER SIDE | 1 | (MH) |
| 14 | 63V-44526-00-00 | PLATE | 1 | (MH) |
| 15 | 95380-08600-00 | NUT | 2 | (MH) |
| 16 | 90387-16002-00 | COLLAR | 1 | (MH) |
| 17 | 63V-44366-01-00 | DAMPER, WATER SEAL | 1 | (MH) |
| 18 | 63V-45114-A0-00 | GASKET, UPPER CASING | 1 | (MH) |
| 19 | 97095-06018-00 | .BOLT | 3 | (MH) |
| 20 | 92995-06600-00 | WASHER | 3 | (MH) |
| 21 | 63V-44551-01-4D | HOUSING, LOWER MOUNT RUBBER | 2 | (MH) |
| 22 | 63V-44557-00-00 | MOUNT DAMPER, LOWER FRONT | 1 | (MH) |
| 23 | 682-44555-00-00 | MOUNT DAMPER, LOWER SIDE | 2 | (MH) |
| 24 | 97075-06055-00 | BOLT | 2 | (MH) |
| 25 | 92995-06600-00 | WASHER | 2 | (MH) |
| 26 | 97075-06075-00 | BOLT | 2 | (MH) |
| 27 | 92995-06600-00 | WASHER | 2 | (MH) |
| 28 | 90179-06M28-00 | NUT | 4 | (MH) |

15MSHZ 2001 / UPPER CASING



63V0100-1170

Part List

15MSHZ 2001 / UPPER CASING

| REF - NO | PART NUMBER | PART NAME | QUANTITY | REMARKS |
|----------------|-----------------|--------------------------------|----------|---------|
| 1 | 63V-45111-04-4D | CASING, UPPER | 1 | S (MH) |
| 2 | 63V-45126-00-00 | PLATE, SEAL DAMPER | 1 | (MH) |
| 3 | 90157-06M06-00 | SCREW, PAN HEAD | 1 | (MH) |
| 4 | 93606-12019-00 | .PIN, DOWEL | 2 | (MH) |
| 5 | 63V-45113-A1-00 | .GASKET, UPPER CASING | 1 | (MH) |
| 6 | 97095-08030-00 | BOLT | 6 | (MH) |
| 7 | 92995-08600-00 | WASHER | 6 | (MH) |
| 8 | 65F-41131-00-5B | MANIFOLD, EXT. 1 | 1 | (MH) |
| 9 | 63V-41135-00-00 | .GASKET, EXHAUST MANIFOLD | 1 | (MH) |
| 10 | 63V-41133-A1-00 | .GASKET, EXHAUST MANIFOLD 1 | 1 | (MH) |
| 11 | 97095-06020-00 | BOLT | 5 | (MH) |
| 12 | 92995-06600-00 | WASHER | 5 | (MH) |


Part List

15MSHZ 2001 / LOWER CASING DRIVE 1

| REF - NO | PART NUMBER | PART NAME | QUANTITY | REMARKS |
|----------|-----------------|--------------------------|----------|---------|
| 1 | 63V-45300-03-4D | LOWER UNIT ASSY | 1 | S (MH) |
| 2 | 63V-45311-01-4D | CASING, LOWER | 1 | (MH) |
| 3 | 93315-314V8-00 | BEARING | 1 | (MH) |
| 4 | 63V-45536-00-00 | SLEEVE, DRIVE SHAFT | 1 | (MH) |
| 5 | 93341-41414-00 | BEARING | 1 | (MH) |
| 6 | 6E8-45587-10-20 | SHIM (T:1.20MM) | 1 | UR (MH) |
| 6 | 6E8-45587-10-13 | SHIM (T:1.13MM) | 1 | UR (MH) |
| 7 | 93332-00005-00 | BEARING | 1 | (MH) |
| 8 | 664-45567-01-12 | SHIM (T:0.12MM) | 1 | UR (MH) |
| 8 | 664-45567-01-30 | SHIM (T:0.30MM) | 1 | UR (MH) |
| 8 | 664-45567-01-50 | SHIM (T:0.50MM) | 1 | UR (MH) |
| 8 | 664-45567-01-40 | SHIM (T:0.40MM) | 1 | UR (MH) |
| 8 | 664-45567-01-15 | SHIM (T:0.15MM) | 1 | UR (MH) |
| 8 | 664-45567-01-18 | SHIM (T:0.18MM) | 1 | UR (MH) |
| 8 | 664-45567-01-10 | SHIM (T:0.10MM) | 1 | UR (MH) |
| 9 | 90340-08M04-00 | PLUG, STRAIGHT SCREW | 2 | (MH) |
| 10 | 90430-08020-00 | .GASKET | 2 | (MH) |
| 11 | 63V-44301-00-00 | WATER PUMP HOUSING COMP. | 1 | (MH) |
| 12 | 63V-44322-00-00 | .INSERT, CARTRIDGE | 1 | (MH) |
| 13 | 647-44366-00-00 | .DAMPER, WATER SEAL | 1 | (MH) |
| 14 | 63V-44352-01-00 | .IMPELLER | 1 | (MH) |
| 15 | 63V-44338-00-00 | .KEY, WOODRUFF | 1 | (MH) |
| 16 | 93210-44398-00 | .O-RING | 1 | (MH) |
| 17 | 63V-44323-00-00 | .OUTER PLATE, CARTRIDGE | 1 | (MH) |
| 18 | 93604-12M07-00 | PIN, DOWEL | 2 | (MH) |
| 19 | 97080-08045-00 | BOLT | 4 | (MH) |
| 20 | 63V-44328-00-00 | PLATE | 2 | (MH) |
| 21 | 63V-45331-00-5B | HOUSING, BEARING | 1 | (MH) |
| 22 | 90381-14020-00 | .BUSH, SOLID | 1 | (MH) |
| 23 | 93101-20048-00 | .OIL SEAL | 2 | (MH) |
| 24 | 63V-45315-A0-00 | .PACKING, LOWER CASING | 1 | (MH) |
| 25 | 93210-06ME6-00 | .O-RING | 1 | (MH) |
| 26 | 97080-08025-00 | BOLT | 2 | (MH) |
| 27 | 63V-44150-00-00 | SHIFT CAM ASSY | 1 | S (MH) |
| 28 | 63V-45510-01-00 | DRIVE SHAFT ASSY | 1 | S (MH) |
| 29 | 63V-45551-00-00 | PINION (13T) | 1 | (MH) |
| 30 | 90179-08M06-00 | NUT | 1 | (MH) |
| 31 | 6E7-45560-01-00 | GEAR 1 (27T) | 1 | (MH) |
| 32 | 6E7-45571-00-00 | GEAR 2 (27T) | 1 | (MH) |
| 33 | 626-45577-00-01 | SHIM (T:0.10MM) | 1 | UR (MH) |
| 33 | 626-45577-00-05 | SHIM (T:0.50MM) | 1 | UR (MH) |
| 33 | 626-45577-00-03 | SHIM (T:0.30MM) | 1 | UR (MH) |
| 34 | 90201-17682-00 | WASHER, PLATE | 1 | (MH) |
| 35 | 683-45611-00-00 | SHAFT, PROPELLER | 1 | (MH) |
| 36 | 650-45635-00-00 | PLUNGER, SHIFT | 1 | (MH) |
| 37 | 682-45631-00-00 | CLUTCH, DOG | 1 | (MH) |
| 38 | 90250-05010-00 | PIN, STRAIGHT | 1 | (MH) |
| 39 | 648-45633-00-00 | RING, CROSS PIN | 1 | (MH) |
| 40 | 90501-14M06-00 | SPRING, COMPRESSION | 1 | (MH) |
| 41 | 683-45361-02-4D | CAP, LOWER CASING | 1 | (MH) |
| 42 | 93306-00501-00 | BEARING | 1 | (MH) |
| 43 | 93315-317U2-00 | BEARING | 1 | (MH) |
| 44 | 93101-17054-00 | .OIL SEAL | 2 | (MH) |
| 45 | 93210-57M09-00 | .O-RING | 1 | (MH) |
| 46 | 93210-56M80-00 | .O-RING | 1 | (MH) |
| 47 | 97095-06020-00 | BOLT | 2 | (MH) |
| 48 | 92995-06600-00 | WASHER | 2 | (MH) |

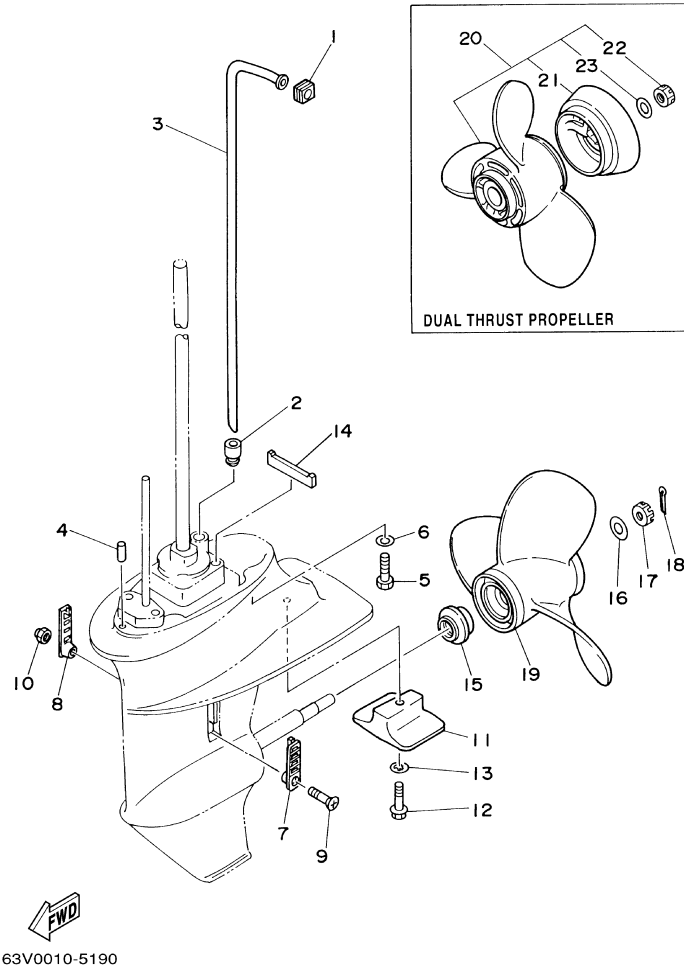
Part Notes

15MSHZ 2001 / LOWER CASING DRIVE 1

| PART NUMBER | | NOTE TEXT |
|----------------|---|--|
| 90430-08020-00 |  | OEM: This part number is among the Top 100 Most Popular Marine Maintenance Parts as of March 2014. |

©2014 Yamaha Motor Corporation, U.S.A. All rights reserved.

15MSHZ 2001 / LOWER CASING DRIVE 2

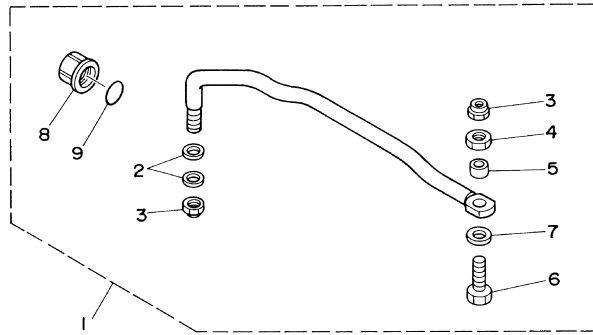


Part List

15MSHZ 2001 / LOWER CASING DRIVE 2

| REF - NO | PART NUMBER | PART NAME | QUANTITY | REMARKS |
|----------------|-----------------|--------------------------------|----------|---------------------------|
| 1 | 63V-44365-10-00 | DAMPER, WATER SEAL 1 | 1 | (MH) |
| 2 | 63V-44368-00-00 | .RUBBER, WATER SEAL 4 | 1 | (MH) |
| 3 | 63V-44361-01-00 | TUBE, WATER | 1 | S (MH) |
| 4 | 93604-12M07-00 | PIN, DOWEL | 2 | (MH) |
| 5 | 97075-08030-00 | BOLT | 4 | (MH) |
| 6 | 92995-08600-00 | WASHER | 4 | (MH) |
| 7 | 6G1-45214-00-00 | COVER, WATER INLET 1 | 1 | (MH) |
| 8 | 63V-45215-00-00 | COVER, WATER INLET 2 | 1 | (MH) |
| 9 | 90152-05M04-00 | SCREW, COUNTERSUNK | 1 | (MH) |
| 10 | 90185-05002-00 | NUT, NYLON | 1 | (MH) |
| 11 | 61N-45251-00-00 | ANODE | 1 | (MH) |
| 12 | 95895-06030-00 | BOLT, FLANGE | 1 | (MH) |
| 13 | 92990-06300-00 | WASHER, INTERNAL TOOTH | 1 | (MH) |
| 14 | 63V-45375-00-00 | DAMPER, SEAL | 1 | (MH) |
| 15 | 6E7-45987-01-00 | SPACER 1 | 1 | (MH) |
| 16 | 90201-10M01-00 | WASHER, PLATE | 1 | (MH) |
| 17 | 90171-10M01-00 | NUT, CASTLE | 1 | (MH) |
| 18 | 91490-30020-00 | PIN. COTTER | 1 | (MH) |
| 19 | 683-45943-00-EL | PROPELLER (3X9-1/4"X10-1/2"-J) | 1 | UR (MH) |
| 19 | 683-45945-00-EL | PROPELLER (3X9-1/4"X9"-J) | 1 | UR (MH) |
| 19 | 683-45947-00-EL | PROPELLER (3X9-1/4"X8"-J) | 1 | UR (MH) |
| 19 | 63V-45945-00-EL | PROPELLER (3X9-1/4"X9"-J) | 1 | UR (MH) |
| 19 | 683-45941-00-EL | PROPELLER (3X9-1/4"X12"-J) | 1 | UR (MH) |
| 19 | 683-45949-00-EL | PROPELLER (3X9-1/2"X6-1/2"-J) | 1 | UR (MH) |
| 19 | 683-45952-00-EL | PROPELLER (3X9-1/4"X9-3/4"-J) | 1 | UR (MH) |
| 20 | 683-W4592-02-EL | PROPELLER (3X9-3/4"X6-1/2"-J) | 1 | UR DUAL THRUST PROP. (MH) |
| 20 | 683-W4591-02-EL | PROPELLER (3X9-3/4"X8"-J) | 1 | UR DUAL THRUST PROP. (MH) |
| 21 | 6E7-45986-00-00 | .RING, DEFLECTOR | 1 | (MH) |
| 22 | 90171-10M07-00 | .NUT, CASTLE | 1 | (MH) |
| 23 | 90201-10M02-00 | .WASHER, PLATE | 1 | (MH) |

15MSHZ 2001 / STEERING GUIDE



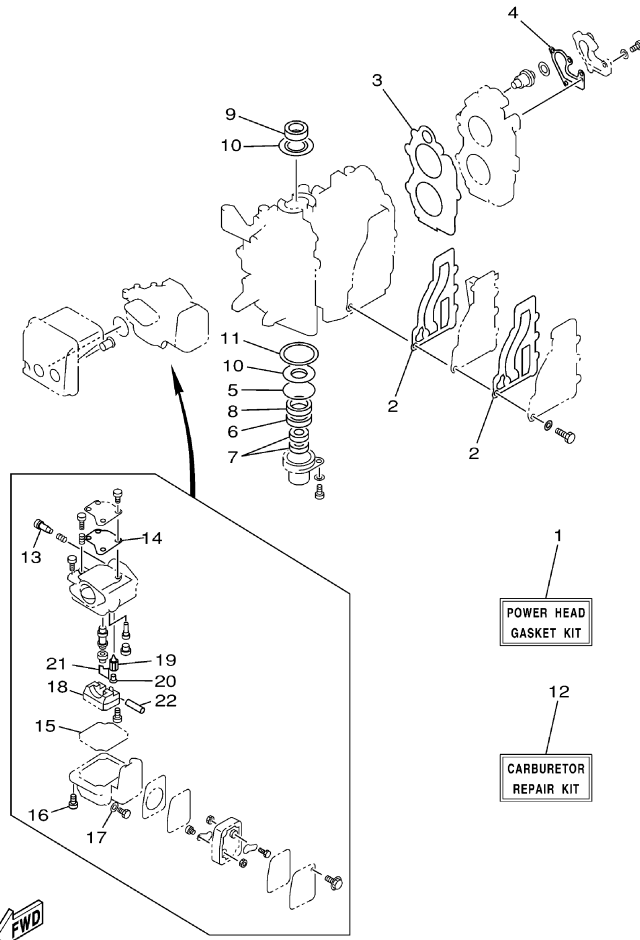
63V0100-5210

Part List

15MSHZ 2001 / STEERING GUIDE

| REF - NO | PART NUMBER | PART NAME | QUANTITY | REMARKS |
|----------------|-----------------|----------------------------------|----------|---------|
| 1 | 63V-61350-00-00 | STEERING GUIDE ATTACHMENT KIT | 1 | AP (MH) |
| 2 | 90201-10M20-00 | .WASHER, PLATE | 2 | (MH) |
| 3 | 90185-09M01-00 | .NUT, SELF-LOCKING | 2 | (MH) |
| 4 | 90170-09M03-00 | .NUT | 1 | (MH) |
| 5 | 90387-10M42-00 | .COLLAR | 1 | (MH) |
| 6 | 6E5-61355-00-00 | .BOLT | 1 | (MH) |
| 7 | 90201-10M63-00 | .WASHER, PLATE | 1 | (MH) |
| 8 | 6E5-43145-01-00 | .CAP, CLAMP BRACKET | 1 | (MH) |
| 9 | 93210-16275-00 | .O-RING | 1 | (MH) |

15MSHZ 2001 / REPAIR KIT 1



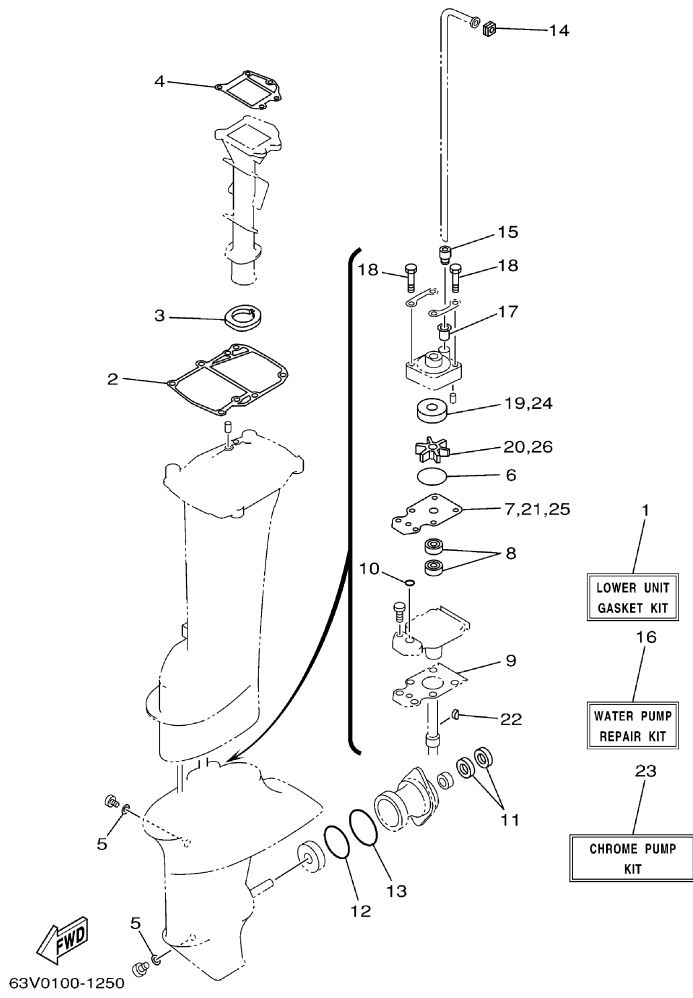
63V0100-1240

Part List

15MSHZ 2001 / REPAIR KIT 1

| REF - NO | PART NUMBER | PART NAME | QUANTITY | REMARKS |
|----------------|-----------------|---------------------------------|----------|---------|
| 1 | 63V-W0001-02-00 | POWER HEAD GASKET KIT | 1 | (MH) |
| 2 | 63V-41112-A0-00 | .GASKET, EXHAUST INNER COVER | 2 | (MH) |
| 3 | 63V-11181-A1-00 | .GASKET, CYLINDER HEAD 1 | 1 | (MH) |
| 4 | 682-12414-A1-00 | .GASKET, COVER | 1 | (MH) |
| 5 | 93210-46M16-00 | .O-RING | 1 | (MH) |
| 6 | 93102-25018-00 | .OIL SEAL | 1 | (MH) |
| 7 | 93101-13018-00 | .OIL SEAL | 2 | (MH) |
| 8 | 93102-25M48-00 | .OIL SEAL | 1 | (MH) |
| 9 | 93110-23M00-00 | .OIL SEAL | 1 | (MH) |
| 10 | 63V-11445-00-00 | .SPACER | 2 | (MH) |
| 11 | 90201-46M29-00 | .WASHER, PLATE | 1 | (MH) |
| 12 | 63V-W0093-00-00 | CARBURETOR REPAIR KIT | 1 | (MH) |
| 13 | 679-14923-00-00 | .SCREW, PILOT | 1 | (MH) |
| 14 | 63V-14126-00-00 | .GASKET | 1 | (MH) |
| 15 | 63V-14984-00-00 | .GASKET, FLOAT CHAMBER | 1 | (MH) |
| 16 | 97980-04114-00 | .SCREW, WITH WASHER | 4 | (MH) |
| 17 | 6G1-14398-00-00 | .WASHER | 1 | (MH) |
| 18 | 63V-14985-00-00 | .FLOAT | 1 | (MH) |
| 19 | 6G1-14546-00-00 | .VALVE, NEEDLE | 1 | (MH) |
| 20 | 676-14186-00-00 | .PIN, FLOAT | 1 | (MH) |
| 21 | 663-14159-00-00 | .CLIP | 1 | (MH) |
| 22 | 6H4-14548-00-00 | .PIN, FLOAT ARM | 1 | (MH) |

15MSHZ 2001 / REPAIR KIT 2



©2014 Yamaha Motor Corporation, U.S.A. All rights reserved.


Part List

15MSHZ 2001 / REPAIR KIT 2

| REF - NO | PART NUMBER | PART NAME | QUANTITY | REMARKS |
|----------|-----------------|-----------------------------|----------|---------|
| 1 | 63V-W0001-22-00 | LOWER UNIT GASKET KIT | 1 | (MH) |
| 2 | 63V-45113-A1-00 | .GASKET, UPPER CASING | 1 | (MH) |
| 3 | 63V-41135-00-00 | .GASKET, EXHAUST MANIFOLD | 1 | (MH) |
| 4 | 63V-41133-A1-00 | .GASKET, EXHAUST MANIFOLD 1 | 1 | (MH) |
| 5 | 90430-08020-00 | .GASKET | 2 | (MH) |
| 6 | 93210-44398-00 | .O-RING | 1 | (MH) |
| 7 | 63V-44323-00-00 | .OUTER PLATE, CARTRIDGE | 1 | (MH) |
| 8 | 93101-20048-00 | .OIL SEAL | 2 | (MH) |
| 9 | 63V-45315-A0-00 | .PACKING, LOWER CASING | 1 | (MH) |
| 10 | 93210-06ME6-00 | .O-RING | 1 | (MH) |
| 11 | 93101-17054-00 | .OIL SEAL | 2 | (MH) |
| 12 | 93210-57M09-00 | .O-RING | 1 | (MH) |
| 13 | 93210-56M80-00 | .O-RING | 1 | (MH) |
| 14 | 63V-44365-10-00 | .DAMPER, WATER SEAL 1 | 1 | (MH) |
| 15 | 63V-44368-00-00 | .RUBBER, WATER SEAL 4 | 1 | (MH) |
| 16 | 63V-W0078-01-00 | WATER PUMP REPAIR KIT | 1 | (MH) |
| 17 | 647-44366-00-00 | .DAMPER, WATER SEAL | 1 | (MH) |
| 18 | 97080-08045-00 | .BOLT | 4 | (MH) |
| 19 | 63V-44322-00-00 | .INSERT, CARTRIDGE | 1 | (MH) |
| 20 | 63V-44352-01-00 | .IMPELLER | 1 | (MH) |
| 21 | 63V-44323-00-00 | .OUTER PLATE, CARTRIDGE | 1 | (MH) |
| 22 | 63V-44338-00-00 | .KEY, WOODRUFF | 1 | (MH) |
| 23 | 63V-W0078-0A-00 | CHROME PUMP KIT | 1 | (MH) |
| 24 | 63V-44322-40-00 | .INSERT, CARTRIDGE | 1 | (MH) |
| 25 | 63V-44323-40-00 | .OUTER PLATE, CARTRIDGE | 1 | (MH) |
| 26 | 63V-44352-01-00 | .IMPELLER | 1 | (MH) |

Part Notes

15MSHZ 2001 / REPAIR KIT 2

| PART NUMBER | NOTE TEXT |
|--|--|
| 90430-08020-00  | OEM: This part number is among the Top 100 Most Popular Marine Maintenance Parts as of March 2014. |

©2014 Yamaha Motor Corporation, U.S.A. All rights reserved.

15MSHZ 2001 / MODELS IN THIS CATALOG

9.9MSHZ (63V)

Engine Serial No. 682CS-171885 and following

15MSHZ (63W)

Engine Serial No. 684CS-427330 and following

**ALL THESE MODELS USE THIS SAME PARTS CATALOG.
BE SURE TO ORDER ONLY THOSE PARTS APPLICABLE
TO THE DESIRED MODEL.**

©2014 Yamaha Motor Corporation, U.S.A. All rights reserved.

©2014 Yamaha Motor Corporation, U.S.A. All rights reserved.