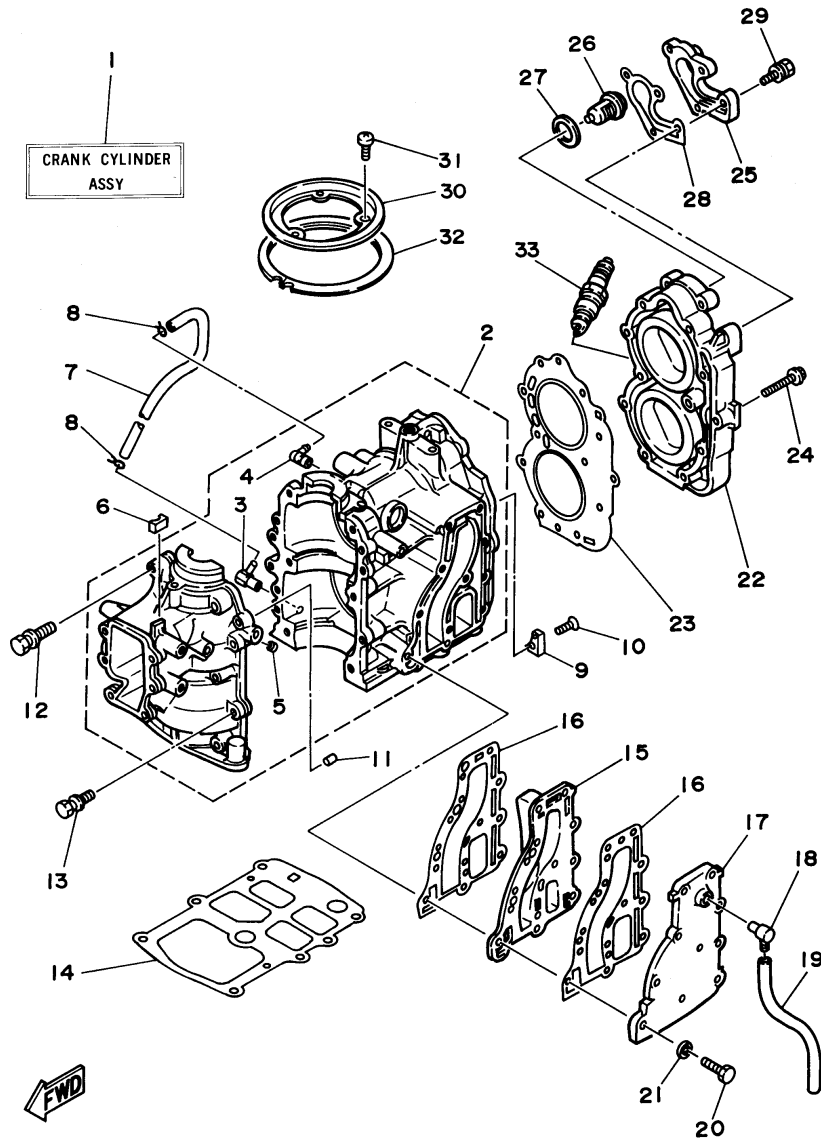


15ELHT 1995 / CYLINDER CRANKCASE



©2014 Yamaha Motor Corporation, U.S.A. All rights reserved.


Part List

15ELHT 1995 / CYLINDER CRANKCASE

| REF - NO | PART NUMBER | PART NAME | QUANTITY | REMARKS |
|----------------|-----------------|---|----------|---------|
| 1 | 6E7-W0090-04-4D | CRANK CYLINDER ASSEMBLY (REF. #2~32, & CRANKSHAFT - PI) | 1 | |
| 2 | 6E7-15100-00-94 | CRANKCASE ASSEMBLY | 1 | |
| 3 | 650-11370-00-00 | .CHECK VALVE ASSY | 1 | |
| 4 | 650-14485-02-00 | .PIPE, JOINT | 1 | |
| 5 | 624-11379-00-00 | .VALVE, CHECK | 1 | |
| 6 | 682-41615-00-00 | STOPPER, MAGNETO BASE | 1 | |
| 7 | 90445-07M08-00 | HOSE (L220) | 1 | |
| 8 | 90467-06016-00 | CLIP | 2 | |
| 9 | 682-11325-00-00 | ANODE | 1 | |
| 10 | 98780-05016-00 | .SCREW, FLAT HEAD | 1 | |
| 11 | 93606-12019-00 | .PIN, DOWEL | 2 | |
| 12 | 90119-08M17-00 | BOLT, WITH WASHER | 6 | |
| 13 | 90119-06M13-00 | BOLT, WITH WASHER | 4 | |
| 14 | 682-11351-A0-00 | GASKET, CYLINDER | 1 | |
| 15 | 682-41111-00-9M | INNER COVER, EXHAUST | 1 | |
| 16 | 682-41112-A1-00 | GASKET, EXHAUST INNER COVER | 2 | |
| 17 | 682-41113-00-9M | OUTER COVER, EXHAUST | 1 | |
| 18 | 676-11372-00-00 | .NIPPLE, HOSE | 1 | |
| 19 | 90445-09095-00 | HOSE (L215) | 1 | |
| 20 | 97095-06025-00 | BOLT | 10 | |
| 21 | 92990-06600-00 | WASHER, PLATE | 10 | |
| 22 | 6E7-11111-00-94 | HEAD, CYLINDER 1 | 1 | |
| 23 | 6E7-11181-A0-00 | GASKET, CYLINDER HEAD 1 | 1 | |
| 24 | 90105-07M05-00 | BOLT, FLANGE | 11 | |
| 25 | 682-12413-00-9M | COVER, THERMOSTAT | 1 | |
| 26 | 6F5-12411-02-00 | THERMOSTAT | 1 | |
| 27 | 90201-21567-00 | WASHER, PLATE | 1 | |
| 28 | 682-12414-A1-00 | .GASKET, COVER | 1 | |
| 29 | 97595-06520-00 | BOLT, WITH WASHER | 4 | |
| 30 | 682-41612-01-00 | RETAINER, MAGNETO BASE | 1 | |
| 31 | 97890-06010-00 | SCREW, PAN HEAD | 3 | |
| 32 | 682-41611-00-00 | RETAINER, MAGNETO BASE | 1 | |
| 33 | NGK-B7HS1-00-00 | PLUG, SPARK (NGK B7HS- 10) | 2 | |

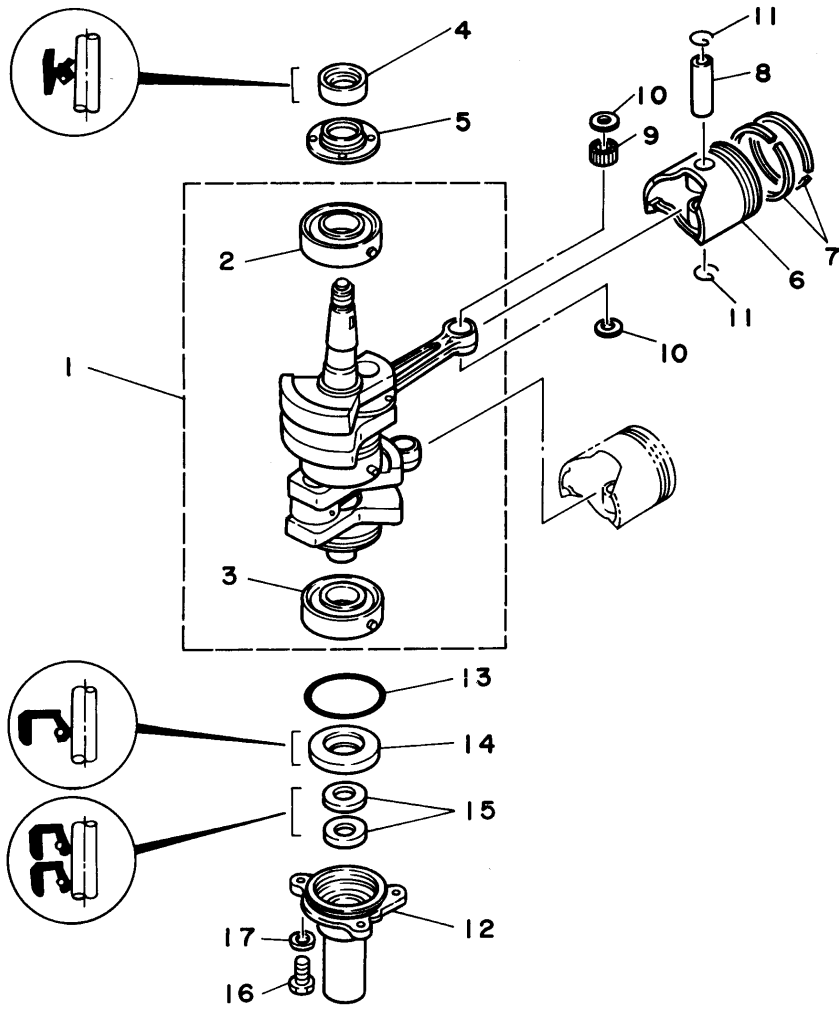
Part Notes

15ELHT 1995 / CYLINDER CRANKCASE

| PART NUMBER | NOTE TEXT |
|--|--|
| 92990-06600-00  | OEM: This part number is among the Top 100 Most Popular Marine Maintenance Parts as of March 2014. |

©2014 Yamaha Motor Corporation, U.S.A. All rights reserved.

15ELHT 1995 / CRANKSHAFT PISTON



©2014 Yamaha Motor Corporation, U.S.A. All rights reserved.


Part List

15ELHT 1995 / CRANKSHAFT PISTON

| REF - NO | PART NUMBER | PART NAME | QUANTITY | REMARKS |
|----------|-----------------|------------------------------|----------|---------|
| 1 | 682-11400-03-00 | CRANKSHAFT ASSEMBLY | 1 | |
| 2 | 93306-205U2-00 | .BEARING | 1 | |
| 3 | 93306-304U0-00 | .BEARING | 1 | |
| 4 | 93110-23M00-00 | .OIL SEAL | 1 | |
| 5 | 682-11445-00-00 | SPACER | 1 | |
| 6 | 6E7-11636-00-00 | PISTON (0.50MM O/S) | 2 | AP |
| 6 | 6E7-11631-00-97 | PISTON (STD) | 2 | |
| 7 | 682-11610-21-00 | PISTON RING SET (0.50MM O/S) | 2 | AP |
| 7 | 682-11610-01-00 | PISTON RING SET (STD) | 2 | |
| 8 | 634-11633-00-00 | PIN, PISTON | 2 | |
| 9 | 93602-14104-00 | PIN, DOWEL | 50 | |
| 10 | 90201-14377-00 | WASHER, PLATE | 4 | |
| 11 | 93450-15023-00 | CIRCLIP | 4 | |
| 12 | 682-15396-03-5B | HOUSING, OIL SEAL | 1 | |
| 13 | 93210-53679-00 | O-RING | 1 | |
| 14 | 93101-20M29-00 | OIL SEAL | 1 | |
| 15 | 93101-13M11-00 | OIL SEAL | 2 | |
| 16 | 97095-06016-00 | BOLT | 3 | |
| 17 | 92990-06600-00 | WASHER, PLATE | 3 | |

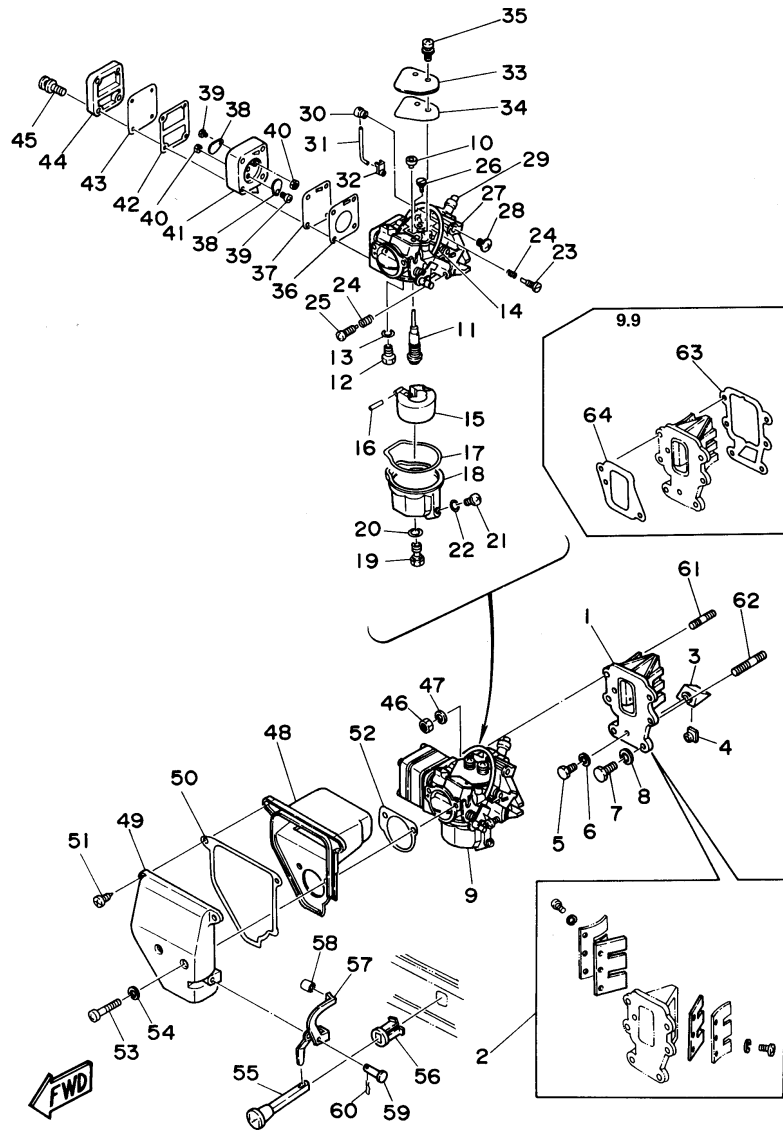
Part Notes

15ELHT 1995 / CRANKSHAFT PISTON

| PART NUMBER | NOTE TEXT |
|--|--|
| 92990-06600-00  | OEM: This part number is among the Top 100 Most Popular Marine Maintenance Parts as of March 2014. |

©2014 Yamaha Motor Corporation, U.S.A. All rights reserved.

15ELHT 1995 / INTAKE



©2014 Yamaha Motor Corporation, U.S.A. All rights reserved.

Part List




15ELHT 1995 / INTAKE

| REF - NO | PART NUMBER | PART NAME | QUANTITY | REMARKS |
|----------------|-----------------|--------------------------|----------|---------|
| 1 | 6E7-13610-71-00 | REED VALVE ASSEMBLY | 1 | UR 9.9 |
| 1 | 6E8-13610-01-00 | REED VALVE ASSEMBLY | 1 | UR 15 |
| 2 | 6E7-W0004-70-00 | .REED SET | 1 | UR 9.9 |
| 2 | 682-W0004-00-00 | .REED SET | 1 | UR 15 |
| 3 | 6E7-13625-00-00 | SPACER, REED VALVE | 1 | |
| 4 | 6E7-13588-01-00 | NUT | 1 | |
| 5 | 97013-06012-00 | BOLT | 1 | |
| 6 | 92990-06600-00 | WASHER, PLATE | 1 | |
| 7 | 97095-06016-00 | BOLT | 4 | |
| 8 | 92990-06600-00 | WASHER, PLATE | 4 | |
| 9 | 6E7-14301-74-00 | CARBURETOR ASSEMBLY 1 | 1 | UR 9.9 |
| 9 | 6E8-14301-05-00 | CARBURETOR ASSEMBLY 1 | 1 | UR 15 |
| 10 | 6E7-14342-28-00 | .JET, PILOT (# 56) | 1 | UR 15 |
| 10 | 647-14342-26-00 | .JET, PILOT (# 52) | 1 | UR 9.9 |
| 11 | 6E7-14341-70-00 | .NOZZLE, MAIN | 1 | UR 9.9 |
| 11 | 6E8-14341-00-00 | .NOZZLE, MAIN | 1 | UR 15 |
| 12 | 6E8-14390-12-00 | .NEEDLE VALVE ASSEMBLY | 1 | UR 9.9 |
| 12 | 61J-14390-00-00 | .NEEDLE VALVE ASSEMBLY | 1 | UR 15 |
| 13 | 367-14195-00-00 | .GASKET | 1 | |
| 14 | 367-14396-00-00 | .PIPE | 1 | |
| 15 | 6E7-14385-00-00 | .FLOAT | 1 | |
| 16 | 647-14386-10-00 | .PIN, FLOAT | 1 | |
| 17 | 677-14384-01-00 | .GASKET, FLOAT CHAMBER | 1 | |
| 18 | 6E7-14381-00-00 | .BODY, FLOAT CHAMBER | 1 | |
| 19 | 677-14343-52-00 | .JET, MAIN (#104) | 1 | UR 9.9 |
| 19 | 677-14343-68-00 | .JET, MAIN (#136) | 1 | UR 15 |
| 20 | 1J2-14398-00-00 | .GASKET | 1 | |
| 21 | 97890-04005-00 | .SCREW, PAN HEAD | 1 | |
| 22 | 655-14398-00-00 | .GASKET | 1 | |
| 23 | 647-14323-00-00 | .SCREW, AIR ADJUSTING | 1 | |
| 24 | 646-14212-01-00 | .SPRING, PILOT ADJUSTING | 2 | |
| 25 | 664-14321-01-00 | .SCREW, THROTTLE | 1 | |
| 26 | 647-14326-00-00 | .SCREW, GUIDE | 1 | |
| 27 | 682-41210-00-00 | .ACCEL ARM ASSEMBLY | 1 | |
| 28 | 677-14327-01-00 | .SCREW | 1 | |
| 29 | 682-41291-00-00 | .BUSHING | 1 | |
| 30 | 677-41226-00-00 | .END, THROTTLE LEVER | 1 | |
| 31 | 682-41219-00-00 | .ROD | 1 | |
| 32 | 661-41262-02-00 | .JOINT, CHOKE LEVER | 1 | |
| 33 | 6E7-14157-00-00 | .COVER, MIXING | 1 | |
| 34 | 6E7-14227-00-00 | .GASKET | 1 | |
| 35 | 97980-04108-00 | .SCREW, WITH WASHER | 2 | |
| 36 | 677-24434-02-00 | .GASKET, BODY | 1 | |
| 37 | 677-24411-02-00 | .DIAPHRAGM | 1 | |
| 38 | 6A0-24421-01-00 | .VALVE, CHECK | 2 | |
| 39 | 6E7-14325-00-00 | .SCREW, PAN HEAD | 2 | |
| 40 | 95380-03600-00 | .NUT | 2 | |
| 41 | 682-24412-00-00 | .BODY 1 | 1 | |
| 42 | 677-24435-02-00 | .GASKET, BODY 2 | 1 | |
| 43 | 677-24471-01-00 | .DIAPHRAGM | 1 | |
| 44 | 677-24413-01-00 | .BODY 2 | 1 | |
| 45 | 677-24444-01-00 | .SCREW | 4 | |
| 46 | 95380-06700-00 | NUT | 2 | |
| 47 | 92990-06600-00 | WASHER, PLATE | 2 | |
| 48 | 682-14417-02-00 | COVER 1 | 1 | |
| 49 | 682-14418-01-00 | COVER 2 | 1 | |
| 50 | 682-14416-A0-00 | GASKET, AIR CLEANER | 1 | |
| 51 | 97780-50514-00 | SCREW, TAPPING | 2 | |
| 52 | 682-14483-A0-00 | GASKET | 1 | |
| 53 | 98580-05530-00 | SCREW, PAN HEAD | 2 | |

| | | | | |
|----|-----------------|--------------------|---|-----|
| 54 | 92990-05600-00 | WASHER, PLATE | 2 | |
| 55 | 682-41271-00-00 | KNOB, CHOKE | 1 | |
| 56 | 682-41273-00-00 | GROMMET | 1 | |
| 57 | 682-41252-01-00 | LEVER, CHOKE | 1 | |
| 58 | 682-41267-00-00 | BUSHING, JOINT | 1 | |
| 59 | 682-41263-00-00 | PIN, CHOKELEVER | 1 | |
| 60 | 90468-10005-00 | CLIP | 1 | |
| 61 | 90116-06130-00 | BOLT, STUD | 1 | |
| 62 | 90116-06M04-00 | BOLT, STUD | 1 | |
| 63 | 682-13621-A0-00 | GASKET, VALVE SEAT | 1 | 9.9 |
| 64 | 677-14198-A0-00 | GASKET | 1 | 9.9 |

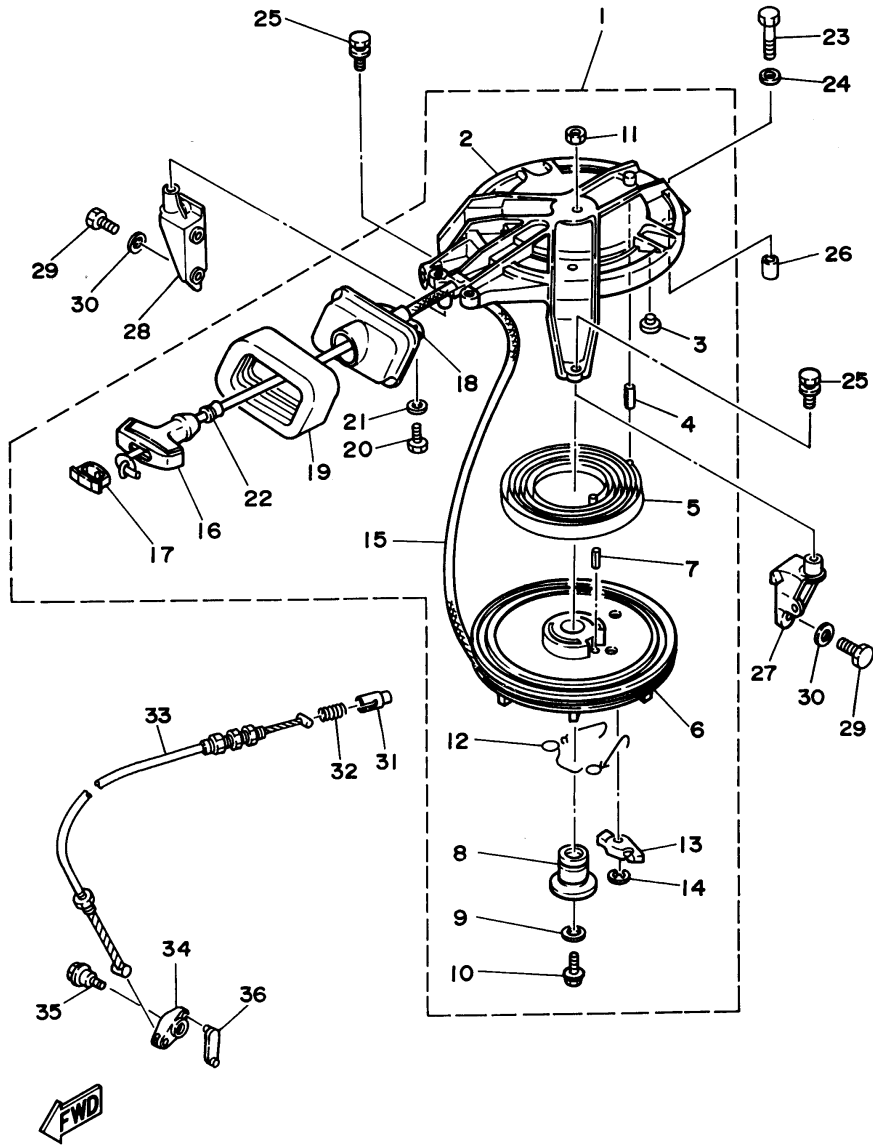
Part Notes

15ELHT 1995 / INTAKE

| PART NUMBER | | NOTE TEXT |
|----------------|---|--|
| 92990-06600-00 |  | OEM: This part number is among the Top 100 Most Popular Marine Maintenance Parts as of March 2014. |
| 92990-06600-00 |  | OEM: This part number is among the Top 100 Most Popular Marine Maintenance Parts as of March 2014. |
| 92990-06600-00 |  | OEM: This part number is among the Top 100 Most Popular Marine Maintenance Parts as of March 2014. |

©2014 Yamaha Motor Corporation, U.S.A. All rights reserved.

15ELHT 1995 / STARTER



©2014 Yamaha Motor Corporation, U.S.A. All rights reserved.




Part List

15ELHT 1995 / STARTER

| REF - NO | PART NUMBER | PART NAME | QUANTITY | REMARKS |
|----------------|-----------------|------------------------------|----------|---------|
| 1 | 6E7-15710-05-4D | STARTER ASSEMBLY | 1 | |
| 2 | 682-15711-71-94 | .CASE, STARTER | 1 | |
| 3 | 648-15773-00-00 | .STAY 3 | 1 | |
| 4 | 91690-40016-00 | .PIN, SPRING | 1 | |
| 5 | 90510-08M04-00 | .SPRING, SPIRAL | 1 | |
| 6 | 677-15714-00-94 | .DRUM, SHEAVE | 1 | |
| 7 | 91690-40020-00 | .PIN, SPRING | 1 | |
| 8 | 677-15717-01-00 | .SHAFT, STARTER | 1 | |
| 9 | 90201-065F3-00 | .WASHER, PLATE | 1 | |
| 10 | 90119-06M34-00 | .BOLT, WITH WASHER | 1 | |
| 11 | 95601-06200-00 | .NUT, U-FLANGE | 1 | |
| 12 | 677-15705-02-00 | .SPRING, DRIVE PAWL | 1 | |
| 13 | 677-15741-01-00 | .PAWL, DRIVE | 1 | |
| 14 | 93430-06M02-00 | .CIRCLIP | 1 | |
| 15 | 90580-50M01-00 | .ROPE, STARTER | 1 | |
| 16 | 689-15755-01-00 | .HANDLE, STARTER | 1 | |
| 17 | 6F5-15779-02-00 | .COVER | 1 | |
| 18 | 682-15758-00-4D | .GUIDE, ROPE | 1 | |
| 19 | 682-15761-10-00 | .SEAL, RUBBER 1 | 1 | |
| 20 | 97095-06016-00 | .BOLT | 2 | |
| 21 | 92990-06600-00 | .WASHER, PLATE | 2 | |
| 22 | 689-15789-00-00 | .DAMPER | 1 | |
| 23 | 97095-06035-00 | BOLT | 1 | |
| 24 | 92990-06600-00 | WASHER, PLATE | 1 | |
| 25 | 97595-06520-00 | BOLT, WITH WASHER | 2 | |
| 26 | 99530-10014-00 | PIN, DOWEL | 1 | |
| 27 | 6E7-15771-01-94 | STAY 1 | 1 | |
| 28 | 6E7-15771-80-94 | STAY 1 | 1 | |
| 29 | 97313-06018-00 | BOLT | 4 | |
| 30 | 92990-06600-00 | WASHER, PLATE | 4 | |
| 31 | 656-15748-00-00 | PLUNGER, STARTER STOP | 1 | |
| 32 | 90501-10227-00 | SPRING, COMPRESSION | 1 | |
| 33 | 682-15770-00-00 | CABLE COMP., STARTER STOP | 1 | |
| 34 | 682-15746-00-00 | ARM | 1 | |
| 35 | 90109-06M04-00 | BOLT | 1 | |
| 36 | 682-15747-00-00 | LINK | 1 | |

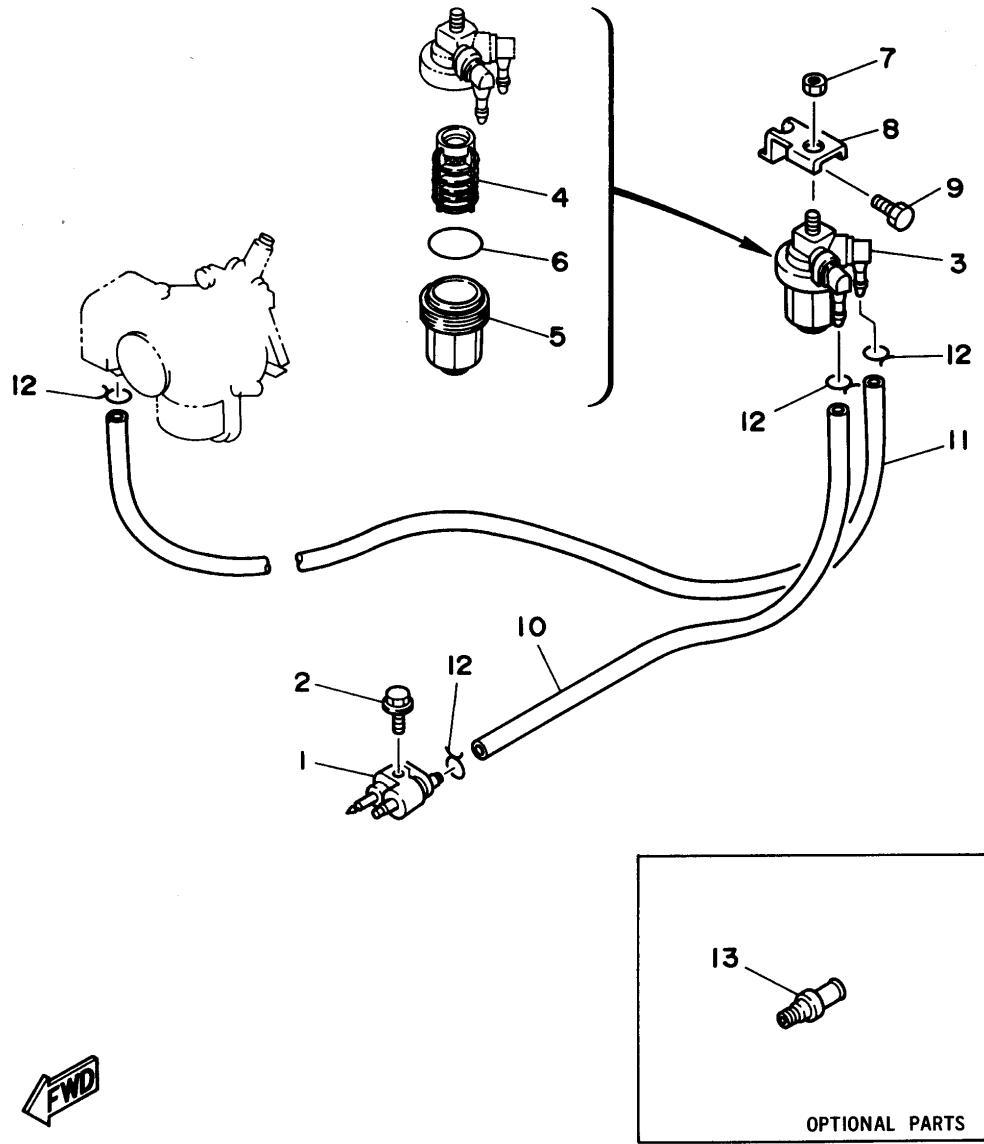
Part Notes

15ELHT 1995 / STARTER

| PART NUMBER | NOTE TEXT |
|--|--|
| 92990-06600-00  | OEM: This part number is among the Top 100 Most Popular Marine Maintenance Parts as of March 2014. |
| 92990-06600-00  | OEM: This part number is among the Top 100 Most Popular Marine Maintenance Parts as of March 2014. |
| 92990-06600-00  | OEM: This part number is among the Top 100 Most Popular Marine Maintenance Parts as of March 2014. |

©2014 Yamaha Motor Corporation, U.S.A. All rights reserved.

15ELHT 1995 / FUEL



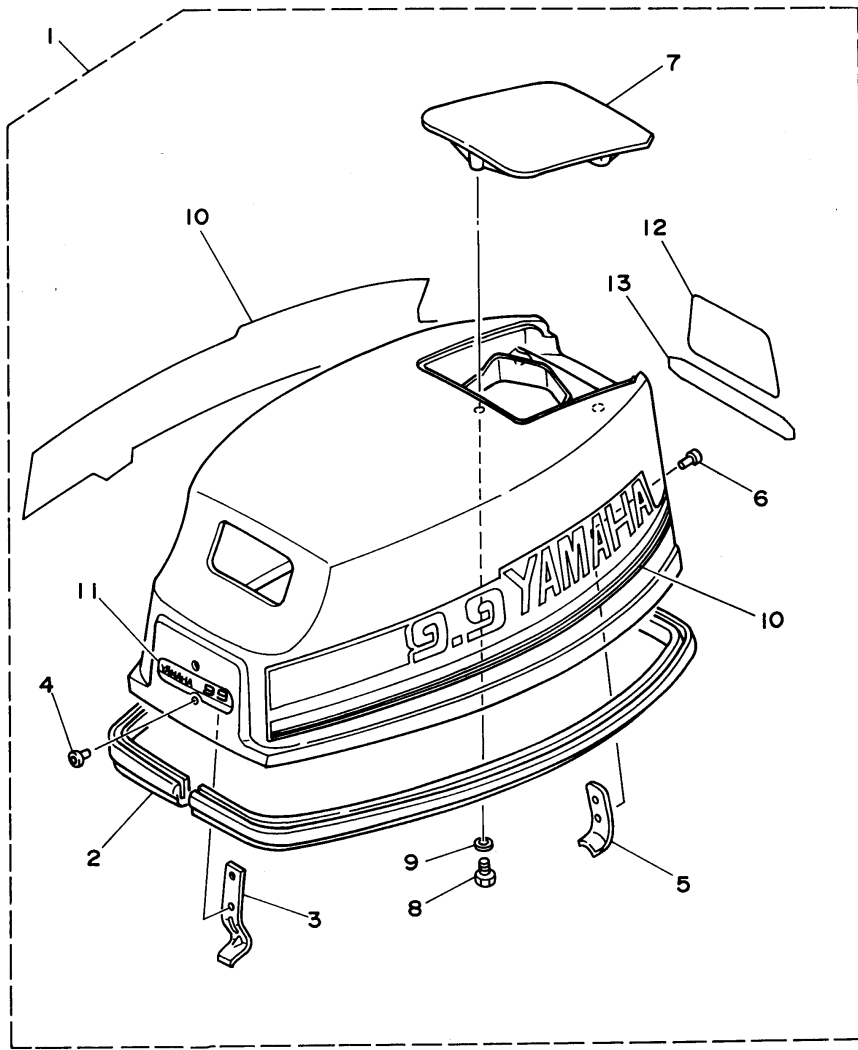
©2014 Yamaha Motor Corporation, U.S.A. All rights reserved.

Part List

15ELHT 1995 / FUEL

| REF - NO | PART NUMBER | PART NAME | QUANTITY | REMARKS |
|----------------|-----------------|-------------------------|----------|---------|
| 1 | 6G1-24304-02-00 | FUEL PIPE JOINT COMP. 1 | 1 | |
| 2 | 97595-06520-00 | BOLT, WITH WASHER | 1 | |
| 3 | 61N-24560-00-00 | FILTER ASSY | 1 | |
| 4 | 61N-24563-00-00 | .ELEMENT, FILTER | 1 | |
| 5 | 61N-24521-00-00 | .CUP, FILTER | 1 | |
| 6 | 93210-32738-00 | .O-RING | 1 | |
| 7 | 95380-08600-00 | NUT | 1 | |
| 8 | 682-24566-00-00 | BRACKET, FILTER | 1 | |
| 9 | 97313-06010-00 | BOLT, HEXAGON | 1 | |
| 10 | 90445-09M53-00 | HOSE | 1 | |
| 11 | 90445-09100-00 | HOSE (L260) | 1 | |
| 12 | 90467-08004-00 | CLIP | 4 | |
| 13 | ABB-FLUSH-JD-00 | JET DRIVE FLUSH | 1 | AP |

15ELHT 1995 / TOP COWLING



©2014 Yamaha Motor Corporation, U.S.A. All rights reserved.


Part List

15ELHT 1995 / TOP COWLING

| REF - NO | PART NUMBER | PART NAME | QUANTITY | REMARKS |
|----------------|-----------------|----------------------|----------|---------|
| 1 | 6E7-42610-14-4D | TOP COWLING ASSEMBLY | 1 | UR 9.9 |
| 1 | 6E8-42610-14-4D | TOP COWLING ASSEMBLY | 1 | UR 15 |
| 2 | 682-42615-00-00 | .SEAL | 1 | |
| 3 | 6E7-42651-02-00 | .HOOK | 1 | |
| 4 | 90266-04M00-00 | .RIVET | 2 | |
| 5 | 6E7-42652-00-00 | .HOOK | 1 | |
| 6 | 90266-04M04-00 | .RIVET | 2 | |
| 7 | 6E7-42613-00-4D | .MOLDING, AIR DUCT | 1 | |
| 8 | 97095-06016-00 | .BOLT | 3 | |
| 9 | 92990-06600-00 | .WASHER, PLATE | 3 | |
| 10 | 6E8-W0070-11-00 | .GRAPHIC SET | 1 | UR 15 |
| 10 | 6E7-W0070-13-00 | .GRAPHIC SET | 1 | UR 9.9 |
| 11 | 6E8-42677-10-00 | .GRAPHIC, FRONT | 1 | UR 15 |
| 11 | 6E7-42677-10-00 | .GRAPHIC, FRONT | 1 | UR 9.9 |
| 12 | 6E8-42678-11-00 | .GRAPHIC, REAR | 1 | UR 15 |
| 12 | 6E7-42678-11-00 | .GRAPHIC, REAR | 1 | UR 9.9 |
| 13 | 6E7-4267A-10-00 | .GRAPHIC, REAR 2 | 1 | |

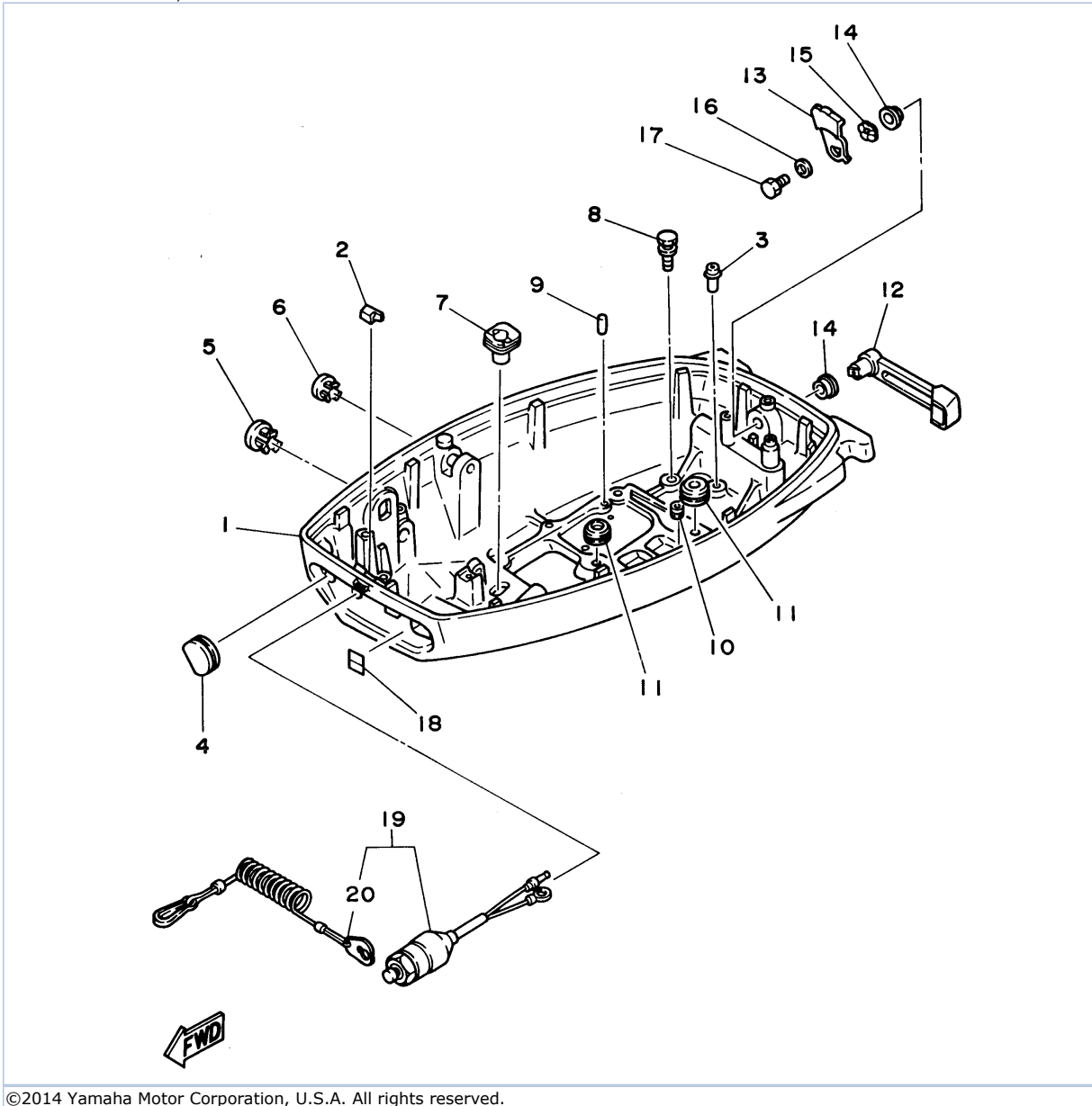
Part Notes

15ELHT 1995 / TOP COWLING

| PART NUMBER | NOTE TEXT |
|--|--|
| 92990-06600-00  | OEM: This part number is among the Top 100 Most Popular Marine Maintenance Parts as of March 2014. |

©2014 Yamaha Motor Corporation, U.S.A. All rights reserved.

15ELHT 1995 / BOTTOM COWLING



©2014 Yamaha Motor Corporation, U.S.A. All rights reserved.


Part List

15ELHT 1995 / BOTTOM COWLING

| REF - NO | PART NUMBER | PART NAME | QUANTITY | REMARKS |
|----------------|-----------------|-------------------------|----------|---------|
| 1 | 682-42711-03-4D | COWLING, BOTTOM | 1 | |
| 2 | 6K4-42629-00-00 | SEAL | 1 | |
| 3 | 652-24461-00-00 | PIPE, JOINT 4 | 1 | |
| 4 | 682-42724-00-00 | GROMMET | 1 | |
| 5 | 682-42725-02-00 | GROMMET | 1 | |
| 6 | 682-42726-00-00 | GROMMET | 1 | |
| 7 | 682-42727-00-00 | GROMMET | 1 | |
| 8 | 97595-06520-00 | BOLT, WITH WASHER | 2 | |
| 9 | 93606-12019-00 | .PIN, DOWEL | 2 | |
| 10 | 682-44366-00-00 | DAMPER, WATER SEAL | 1 | |
| 11 | 682-44367-00-00 | DAMPER, WATER SEAL | 2 | |
| 12 | 682-42815-00-4D | LEVER, CLAMP | 1 | |
| 13 | 6E7-42816-00-00 | LEVER, CLAMP | 1 | |
| 14 | 90386-12069-00 | BUSH | 2 | |
| 15 | 90206-12052-00 | WASHER, WAVE | 1 | |
| 16 | 90201-06M02-00 | WASHER, PLATE | 1 | |
| 17 | 97313-06010-00 | BOLT, HEXAGON | 1 | |
| 18 | 6A1-42792-01-00 | MARK (100:1) | 1 | |
| 19 | 6E9-82575-02-00 | ENGINE STOP SWITCH ASSY | 1 | |
| 20 | 682-82556-00-00 | .LANYARD, STOP SWITCH | 1 | |

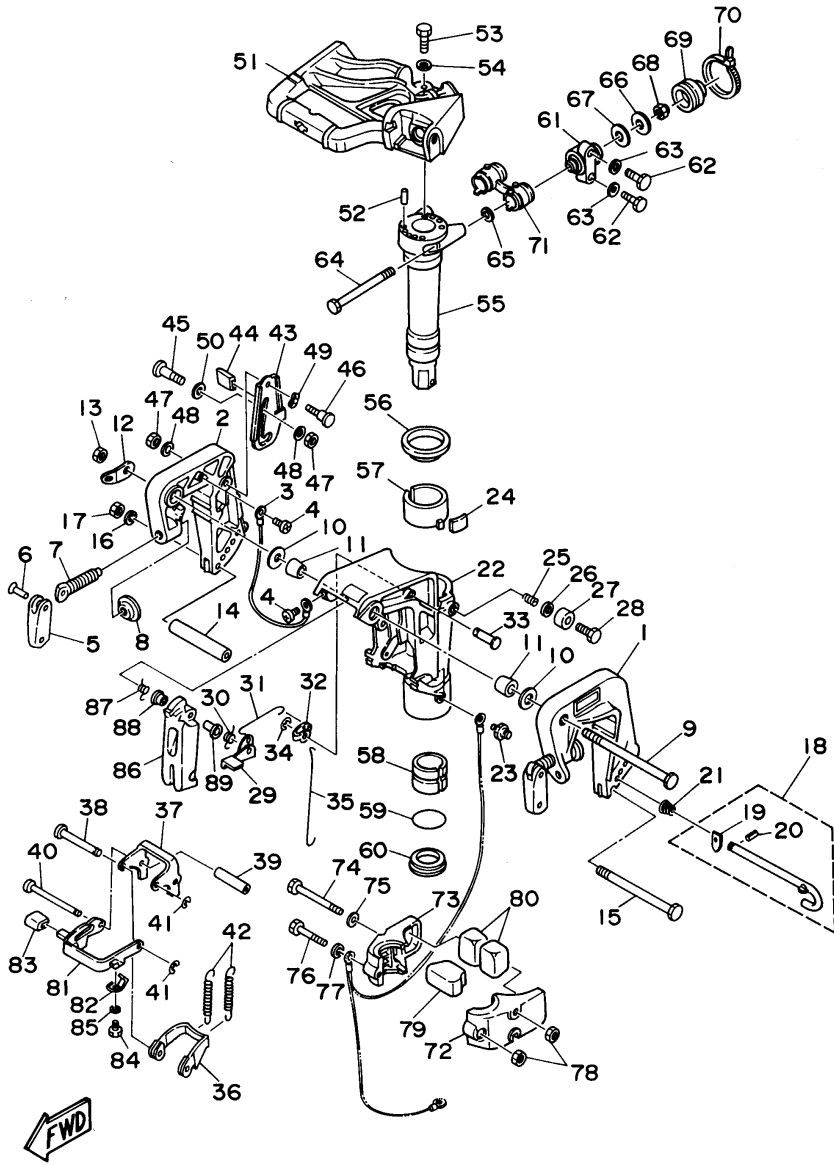
Part Notes

15ELHT 1995 / BOTTOM COWLING

| PART NUMBER | NOTE TEXT |
|---|--|
| 682-82556-00-00  | OEM: This part number is among the Top 100 Most Popular Marine Maintenance Parts as of March 2014. |

©2014 Yamaha Motor Corporation, U.S.A. All rights reserved.

15ELHT 1995 / BRACKET 1



©2014 Yamaha Motor Corporation, U.S.A. All rights reserved.

Part List






15ELHT 1995 / BRACKET 1

| REF - NO | PART NUMBER | PART NAME | QUANTITY | REMARKS |
|----------|-----------------|-----------------------|----------|--------------------|
| 1 | 682-43111-03-4D | BRACKET, CLAMP | 1 | |
| 2 | 682-43112-04-4D | BRACKET, CLAMP | 1 | |
| 3 | 6E5-82148-00-00 | WIRE, LEAD 4 | 1 | |
| 4 | 98580-06008-00 | SCREW, PAN HEAD | 2 | |
| 5 | 616-43118-00-4D | HANDLE, TRANSOM CLAMP | 2 | |
| 6 | 90243-04M00-00 | PIN | 2 | |
| 7 | 6E7-43116-00-00 | SCREW, TRANSOM CLAMP | 2 | |
| 8 | 648-43114-01-00 | PAD, TRANSOM CLAMP | 2 | |
| 9 | 90101-10M01-00 | BOLT | 1 | |
| 10 | 90201-10M03-00 | WASHER, PLATE | 2 | |
| 11 | 90386-10M91-00 | BUSH | 2 | |
| 12 | 6E7-43113-01-00 | PLATE, CLAMP BRACKET | 1 | |
| 13 | 95780-10300-00 | NUT, FLANGE | 1 | |
| 14 | 90387-06M13-00 | COLLAR | 1 | |
| 15 | 90101-06M29-00 | BOLT | 1 | |
| 16 | 92990-06600-00 | WASHER, PLATE | 1 | |
| 17 | 95380-06700-00 | NUT | 1 | |
| 18 | 689-43160-00-00 | TILT ROD ASSY | 1 | |
| 19 | 689-43165-00-00 | .PLATE, TILT LOCK | 1 | |
| 20 | 91690-30008-00 | .PIN, SPRING | 1 | |
| 21 | 90502-10M07-00 | SPRING, CONICAL | 1 | |
| 22 | 682-43311-05-4D | BRACKET, SWIVEL | 1 | |
| 23 | 93700-06M03-00 | NIPPLE, GREASE | 1 | |
| 24 | 648-42528-00-00 | PLATE, FRICTION | 1 | |
| 25 | 90501-18M00-00 | SPRING, COMPRESSION | 1 | |
| 26 | 92990-08600-00 | ..WASHER, PLATE | 1 | |
| 27 | 676-43373-00-00 | SEAL, DAMPER | 1 | |
| 28 | 97395-08025-00 | BOLT | 1 | |
| 29 | 682-43631-00-00 | LEVER, TILT | 1 | |
| 30 | 90508-12M03-00 | SPRING, TORSION | 1 | |
| 31 | 682-43616-00-00 | ROD, TILT LOCK | 1 | |
| 32 | 682-43641-00-00 | LEVER, TILT | 1 | |
| 33 | 90249-06M23-00 | PIN | 1 | |
| 34 | 99080-05600-00 | CIRCLIP | 1 | |
| 35 | 682-43617-00-00 | ROD, TILT LOCK | 1 | |
| 36 | 682-43614-00-00 | PLATE, TILT LOCK | 1 | |
| 37 | 682-43615-01-00 | PLATE, TILT LOCK | 1 | |
| 38 | 682-43611-01-00 | SHAFT, TILT LOCK | 1 | |
| 39 | 90387-06M20-00 | COLLAR | 1 | |
| 40 | 682-43659-00-00 | SHAFT, REVERSE LOCK | 1 | |
| 41 | 99080-05600-00 | CIRCLIP | 2 | |
| 42 | 90506-26M01-00 | SPRING, TENSION | 2 | UR |
| 42 | 90506-26M07-00 | SPRING, TENSION | 2 | UR FOR DUAL THRUST |
| 43 | 6E7-43181-01-00 | LEVER, TILT STOP | 1 | |
| 44 | 682-43318-01-00 | COVER | 1 | |
| 45 | 90109-06M03-00 | BOLT | 1 | |
| 46 | 90109-06M05-00 | BOLT | 1 | |
| 47 | 95680-06100-00 | NUT, U | 2 | |
| 48 | 92990-06600-00 | WASHER, PLATE | 2 | |
| 49 | 90206-10M15-00 | WASHER, WAVE | 1 | |
| 50 | 682-43339-01-00 | WASHER | 1 | |
| 51 | 6K4-42511-01-4D | BRACKET, STEERING | 1 | |
| 52 | 93606-12019-00 | .PIN, DOWEL | 2 | |
| 53 | 97095-06025-00 | BOLT | 3 | |
| 54 | 92990-06600-00 | WASHER, PLATE | 3 | |
| 55 | 682-42521-00-94 | SHAFT, STEERING PIVOT | 1 | |
| 56 | 90209-52M01-00 | WASHER | 1 | |
| 57 | 682-42537-00-00 | BUSHING, PIVOT SHAFT | 1 | |
| 58 | 90386-40M09-00 | BUSH | 1 | |
| 59 | 93210-40M10-00 | O-RING | 1 | |

| | | | | |
|----|-----------------|-----------------------------|---|--|
| 60 | 90386-40M08-00 | BUSH | 1 | |
| 61 | 682-44514-00-94 | MOUNT DAMPER, UPPER SIDE | 2 | |
| 62 | 97095-06025-00 | BOLT | 4 | |
| 63 | 92990-06600-00 | WASHER, PLATE | 4 | |
| 64 | 90101-08M30-00 | BOLT | 2 | |
| 65 | 90201-08M12-00 | .WASHER, PLATE | 2 | |
| 66 | 90201-08M13-00 | WASHER, PLATE | 2 | |
| 67 | 90202-13M02-00 | WASHER, PLATE | 2 | |
| 68 | 95780-08300-00 | ..NUT, FLANGE | 2 | |
| 69 | 682-44522-00-00 | SEAL | 2 | |
| 70 | 90465-11M52-00 | CLAMP | 2 | |
| 71 | 682-44521-01-00 | SEAL | 1 | |
| 72 | 682-44551-01-4D | HOUSING, LOWER MOUNT RUBBER | 1 | |
| 73 | 682-44552-01-4D | HOUSING, LOWER MOUNT RUBBER | 1 | |
| 74 | 97395-08085-00 | BOLT | 2 | |
| 75 | 92990-08600-00 | ..WASHER, PLATE | 2 | |
| 76 | 97395-08055-00 | BOLT | 1 | |
| 77 | 92990-08600-00 | ..WASHER, PLATE | 1 | |
| 78 | 95380-08700-00 | NUT | 3 | |
| 79 | 682-44557-00-00 | MOUNT DAMPER, LOWER FRONT | 1 | |
| 80 | 682-44555-00-00 | MOUNT DAMPER, LOWER SIDE | 2 | |
| 81 | 682-43681-01-00 | LEVER, SHALLOW WATER DRIVE | 1 | |
| 82 | 682-43643-00-00 | SPRING | 1 | |
| 83 | 682-43318-01-00 | COVER | 1 | |
| 84 | 97095-06008-00 | BOLT | 1 | |
| 85 | 92990-06600-00 | WASHER, PLATE | 1 | |
| 86 | 682-42731-01-4D | CARRYING HANDLE | 1 | |
| 87 | 90508-16M04-00 | SPRING, TORSION | 1 | |
| 88 | 90386-10025-00 | .BUSH | 1 | |
| 89 | 90386-10045-00 | BUSH | 1 | |

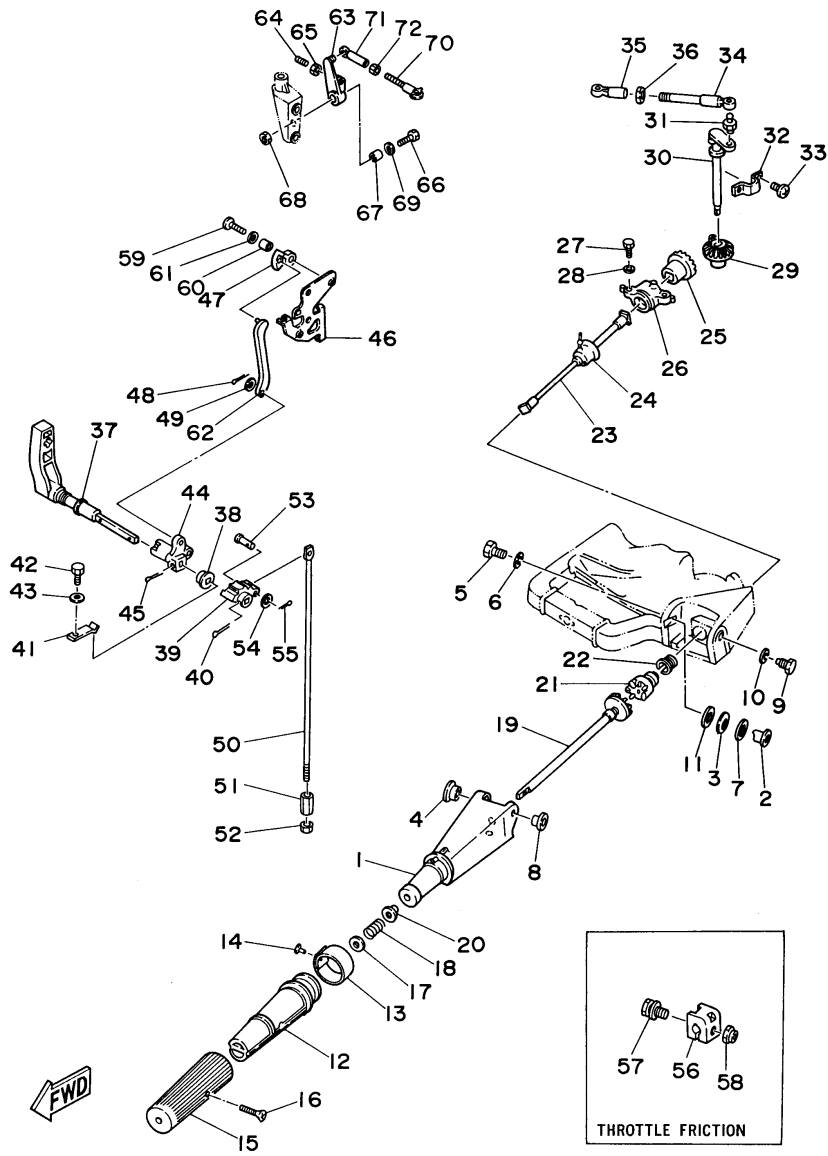
Part Notes

15ELHT 1995 / BRACKET 1

| PART NUMBER | | NOTE TEXT |
|----------------|---|--|
| 92990-06600-00 |  | OEM: This part number is among the Top 100 Most Popular Marine Maintenance Parts as of March 2014. |
| 92990-06600-00 |  | OEM: This part number is among the Top 100 Most Popular Marine Maintenance Parts as of March 2014. |
| 92990-06600-00 |  | OEM: This part number is among the Top 100 Most Popular Marine Maintenance Parts as of March 2014. |
| 92990-06600-00 |  | OEM: This part number is among the Top 100 Most Popular Marine Maintenance Parts as of March 2014. |
| 92990-06600-00 |  | OEM: This part number is among the Top 100 Most Popular Marine Maintenance Parts as of March 2014. |

©2014 Yamaha Motor Corporation, U.S.A. All rights reserved.

15ELHT 1995 / CONTROL



©2014 Yamaha Motor Corporation, U.S.A. All rights reserved.

Part List




15ELHT 1995 / CONTROL

| REF - NO | PART NUMBER | PART NAME | QUANTITY | REMARKS |
|----------------|-----------------|-----------------------------------|----------|---------|
| 1 | 6E7-42111-00-4D | HANDLE, STEERING | 1 | |
| 2 | 682-42123-02-00 | BOLT, HANDLE JOINT | 1 | |
| 3 | 90206-12M06-00 | WASHER, WAVE | 1 | |
| 4 | 90386-12M07-00 | BUSH | 1 | |
| 5 | 97095-06025-00 | BOLT | 1 | |
| 6 | 92990-06600-00 | WASHER, PLATE | 1 | |
| 7 | 90201-12181-00 | WASHER, PLATE | 1 | |
| 8 | 90386-06M06-00 | BUSH | 1 | |
| 9 | 90109-08M01-00 | BOLT | 1 | |
| 10 | 92990-08600-00 | ..WASHER, PLATE | 1 | |
| 11 | 90202-12031-00 | WASHER, PLATE | 1 | |
| 12 | 664-42119-00-00 | GRIP, STEERING HANDLE | 1 | |
| 13 | 6E8-42137-10-00 | INDICATOR, THROTTLE | 1 | |
| 14 | 90269-02M09-00 | RIVET | 1 | |
| 15 | 6G1-42177-00-00 | RUBBER, HANDLE | 1 | |
| 16 | 90149-05M13-00 | SCREW | 1 | |
| 17 | 92990-10600-00 | WASHER, PLATE | 1 | |
| 18 | 90501-23215-00 | SPRING, COMPRESSION | 1 | |
| 19 | 6E7-42141-00-94 | GEAR, KNEE 1 | 1 | |
| 20 | 90386-08032-00 | BUSH | 1 | |
| 21 | 682-42142-01-00 | GEAR, KNEE 2 | 1 | |
| 22 | 90386-20M71-00 | BUSH | 1 | |
| 23 | 682-42116-00-00 | SHAFT, STEERING HANDLE 2 | 1 | |
| 24 | 682-42716-00-00 | RUBBER, SEAL 1 | 1 | |
| 25 | 682-42151-01-00 | PINION | 1 | |
| 26 | 682-42171-02-00 | BUSHING | 1 | |
| 27 | 97095-06016-00 | BOLT | 2 | |
| 28 | 92990-06200-00 | WASHER, PLAIN | 2 | |
| 29 | 682-42152-01-00 | GEAR | 1 | |
| 30 | 682-41631-00-94 | LEVER, MAGNETO CONTROL | 1 | |
| 31 | 663-85518-00-00 | JOINT, BALL | 1 | |
| 32 | 682-41661-00-00 | BRACKET | 1 | |
| 33 | 97890-06010-00 | SCREW, PAN HEAD | 2 | |
| 34 | 682-41238-01-00 | JOINT, LINK | 1 | |
| 35 | 682-41237-00-00 | JOINT, LINK | 1 | |
| 36 | 95380-05700-00 | NUT | 1 | |
| 37 | 682-44111-01-94 | HANDLE, GEAR SHIFT | 1 | |
| 38 | 682-44132-00-00 | BUSHING | 1 | |
| 39 | 682-44121-01-00 | LEVER, SHIFT ROD | 1 | |
| 40 | 91490-25020-00 | PIN. COTTER | 1 | |
| 41 | 682-44116-01-00 | SPRING | 1 | |
| 42 | 97395-06014-00 | BOLT | 1 | |
| 43 | 92990-06600-00 | WASHER, PLATE | 1 | |
| 44 | 682-44125-01-00 | LEVER, SHIFT ROD | 1 | |
| 45 | 91490-25020-00 | PIN. COTTER | 1 | |
| 46 | 682-44118-70-00 | BRACKET | 1 | |
| 47 | 682-41666-70-00 | STOPPER, MAGNETO CONTROL LEVER | 1 | |
| 48 | 91490-20015-00 | PIN. COTTER | 1 | |
| 49 | 92990-05600-00 | WASHER, PLATE | 1 | |
| 50 | 682-44143-00-00 | ROD, SHIFT | 1 | |
| 51 | 90170-06015-00 | NUT | 1 | |
| 52 | 95380-06700-00 | NUT | 1 | |
| 53 | 91790-05020-00 | PIN, CLEVIS | 1 | |
| 54 | 92990-05600-00 | WASHER, PLATE | 1 | |
| 55 | 91490-16010-00 | PIN. COTTER | 1 | |
| 56 | 656-42126-01-00 | FRICTION, STEERING HANDLE GRIP | 1 | |
| 57 | 97595-06520-00 | BOLT, WITH WASHER | 1 | |
| 58 | 90185-06062-00 | NUT, SELF-LOCKING | 1 | |
| 59 | 97095-06020-00 | BOLT | 1 | |

| | | | | |
|----|-----------------|-----------------------------|---|--|
| 60 | 90387-06M02-00 | COLLAR | 1 | |
| 61 | 90201-06M31-00 | .WASHER, PLATE | 1 | |
| 62 | 682-44124-70-00 | LINK, SHIFT ROD | 1 | |
| 63 | 682-41634-70-00 | LEVER, MAGNETO CONTROL 4 | 1 | |
| 64 | 90113-05M05-00 | BOLT, SET | 1 | |
| 65 | 95380-05700-00 | NUT | 1 | |
| 66 | 97095-06020-00 | BOLT | 1 | |
| 67 | 90387-06M02-00 | COLLAR | 1 | |
| 68 | 95380-06700-00 | NUT | 1 | |
| 69 | 90201-06M31-00 | .WASHER, PLATE | 1 | |
| 70 | 682-41237-50-00 | JOINT, LINK | 1 | |
| 71 | 682-41237-00-00 | JOINT, LINK | 1 | |
| 72 | 95380-05700-00 | NUT | 1 | |

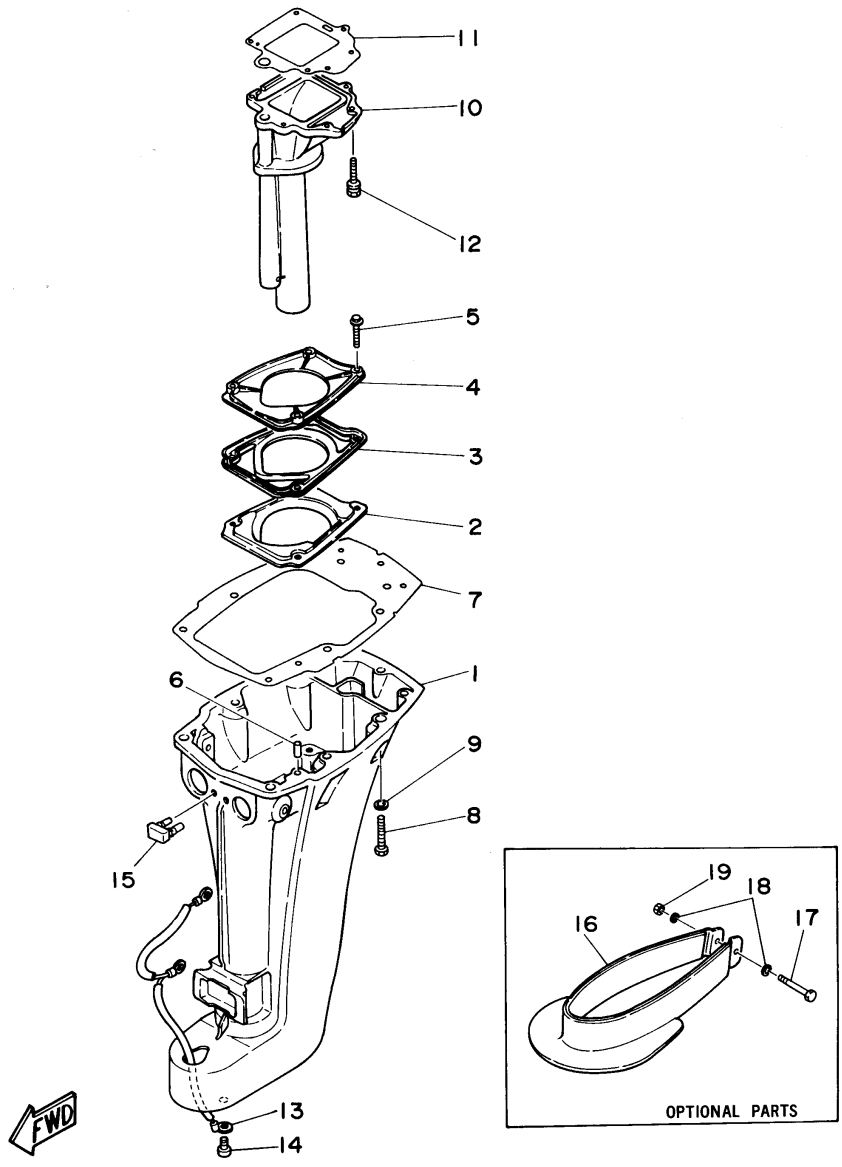
Part Notes

15ELHT 1995 / CONTROL

| PART NUMBER | | NOTE TEXT |
|----------------|---|--|
| 92990-06600-00 |  | OEM: This part number is among the Top 100 Most Popular Marine Maintenance Parts as of March 2014. |
| 92990-10600-00 |  | OEM: This part number is among the Top 100 Most Popular Marine Maintenance Parts as of March 2014. |
| 92990-06600-00 |  | OEM: This part number is among the Top 100 Most Popular Marine Maintenance Parts as of March 2014. |

©2014 Yamaha Motor Corporation, U.S.A. All rights reserved.

15ELHT 1995 / UPPER CASING



©2014 Yamaha Motor Corporation, U.S.A. All rights reserved.


Part List

15ELHT 1995 / UPPER CASING

| REF - NO | PART NUMBER | PART NAME | QUANTITY | REMARKS |
|----------|-----------------|----------------------------|----------|----------|
| 1 | 682-45111-04-4D | CASING, UPPER | 1 | UR SHORT |
| 1 | 682-45111-14-4D | CASING, UPPER | 1 | UR LONG |
| 2 | 682-45126-00-5B | PLATE, SEAL DAMPER | 1 | |
| 3 | 682-45127-00-00 | SEAL | 1 | |
| 4 | 682-41116-00-5B | PROTECTOR | 1 | |
| 5 | 90105-06M01-00 | BOLT, WASHER BASED | 4 | |
| 6 | 93606-12019-00 | .PIN, DOWEL | 2 | |
| 7 | 682-45113-A1-00 | GASKET, UPPER CASING | 1 | |
| 8 | 97395-08040-00 | BOLT | 6 | |
| 9 | 92990-08600-00 | ..WASHER, PLATE | 6 | |
| 10 | 682-41131-01-5B | MANIFOLD, EXT. 1 | 1 | |
| 11 | 682-41133-A0-00 | GASKET, EXHAUST MANIFOLD 1 | 1 | |
| 12 | 97595-06520-00 | BOLT, WITH WASHER | 6 | |
| 13 | 6E7-82127-00-00 | WIRE, LEAD 2 | 1 | |
| 14 | 90157-06M06-00 | SCREW, PAN HEAD | 1 | |
| 15 | 682-44532-00-00 | STOPPER, UPPER MOUNT | 1 | |
| 16 | 682-45158-00-4D | PLATE, SPLASH | 1 | AP |
| 17 | 97095-06040-00 | .BOLT | 1 | AP |
| 18 | 92990-06600-00 | WASHER, PLATE | 2 | AP |
| 19 | 95380-06700-00 | NUT | 1 | AP |

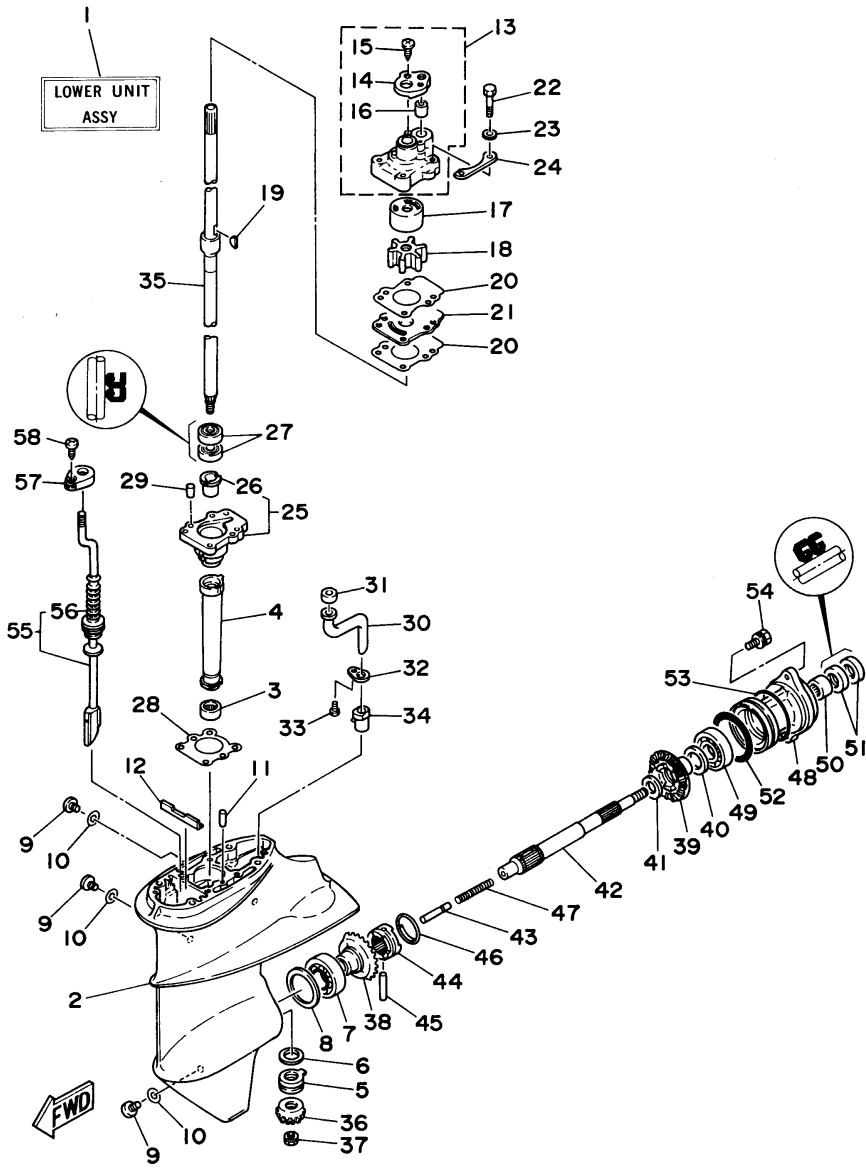
Part Notes

15ELHT 1995 / UPPER CASING

| PART NUMBER | NOTE TEXT |
|--|--|
| 92990-06600-00  | OEM: This part number is among the Top 100 Most Popular Marine Maintenance Parts as of March 2014. |

©2014 Yamaha Motor Corporation, U.S.A. All rights reserved.

15ELHT 1995 / LOWER CASING DRIVE 1



©2014 Yamaha Motor Corporation, U.S.A. All rights reserved.

Part List



15ELHT 1995 / LOWER CASING DRIVE 1

| REF - NO | PART NUMBER | PART NAME | QUANTITY | REMARKS |
|----------|-----------------|-----------------------------------|----------|----------|
| 1 | 6E7-45300-06-4D | LOWER UNIT ASSEMBLY (REF. #2 ~58) | 1 | UR SHORT |
| 1 | 6E7-45300-16-4D | LOWER UNIT ASSEMBLY (REF. #2 ~58) | 1 | UR LONG |
| 2 | 6E8-45311-00-4D | CASING, LOWER | 1 | |
| 3 | 93315-314V8-00 | BEARING | 1 | |
| 4 | 6E7-45536-00-00 | SLEEVE, DRIVE SHAFT | 1 | |
| 5 | 93341-414V1-00 | BEARING | 1 | |
| 6 | 6E8-45587-00-13 | SHIM (T:1.13MM) | 1 | UR |
| 6 | 6E8-45587-00-20 | SHIM (T:1.20MM) | 1 | UR |
| 7 | 93332-00005-00 | BEARING | 1 | |
| 8 | 664-45567-01-12 | SHIM (T:0.12MM) | 1 | UR |
| 8 | 664-45567-01-30 | SHIM (T:0.30MM) | 1 | UR |
| 8 | 664-45567-01-50 | SHIM (T:0.50MM) | 1 | UR |
| 8 | 664-45567-01-10 | SHIM (T:0.10MM) | 1 | UR |
| 8 | 664-45567-01-15 | SHIM (T:0.15MM) | 1 | UR |
| 8 | 664-45567-01-18 | SHIM (T:0.18MM) | 1 | UR |
| 8 | 664-45567-01-40 | SHIM (T:0.40MM) | 1 | UR |
| 9 | 90340-08M04-00 | PLUG, STRAIGHT SCREW | 3 | |
| 10 | 90430-08020-00 | .GASKET | 3 | |
| 11 | 93604-08062-00 | PIN, DOWEL | 1 | |
| 12 | 682-45376-01-00 | GUIDE, SEAL DAMPER | 1 | |
| 13 | 682-44300-01-00 | HOUSING, WATER PUMP | 1 | |
| 14 | 682-44312-00-00 | .COVER, WATER PUMP HOUSING | 1 | |
| 15 | 97780-40112-00 | .SCREW, TAPPING | 2 | |
| 16 | 682-44365-00-00 | .DAMPER, WATER SEAL | 1 | |
| 17 | 682-44322-00-00 | INSERT, CARTRIDGE | 1 | |
| 18 | 682-44352-01-00 | IMPELLER | 1 | |
| 19 | 90280-03024-00 | .KEY, WOODRUFF | 1 | |
| 20 | 682-44315-A0-00 | GASKET, WATER PUMP | 2 | |
| 21 | 682-44323-00-00 | OUTER PLATE, CARTRIDGE | 1 | |
| 22 | 97095-06045-00 | .BOLT | 4 | |
| 23 | 92990-06600-00 | WASHER, PLATE | 4 | |
| 24 | 682-44328-00-00 | PLATE | 2 | |
| 25 | 6E7-45331-00-5B | HOUSING, BEARING | 1 | |
| 26 | 626-45316-09-00 | .BUSHING, DRIVE SHAFT | 1 | |
| 27 | 93101-20048-00 | .OIL SEAL | 2 | |
| 28 | 683-45315-A0-00 | PACKING, LOWER CASING | 1 | |
| 29 | 93606-12019-00 | .PIN, DOWEL | 2 | |
| 30 | 683-44362-01-00 | TUBE, WATER | 1 | |
| 31 | 683-44365-01-00 | DAMPER, WATER SEAL | 1 | |
| 32 | 683-44373-00-00 | SET PLATE, WATER TUBE | 1 | |
| 33 | 97095-06010-00 | BOLT | 1 | |
| 34 | 6E7-44366-00-00 | DAMPER, WATER SEAL | 1 | |
| 35 | 6E7-45501-00-00 | DRIVE SHAFT COMP. | 1 | UR SHORT |
| 35 | 6E7-45501-10-00 | DRIVE SHAFT COMP. | 1 | UR LONG |
| 36 | 6E7-45551-00-00 | PINION (13T) | 1 | |
| 37 | 90179-08M06-00 | NUT | 1 | |
| 38 | 6E7-45560-00-00 | GEAR | 1 | |
| 39 | 6E7-45571-00-00 | GEAR 2 (27T) | 1 | |
| 40 | 626-45577-00-01 | SHIM (T:0.10MM) | 1 | UR |
| 40 | 626-45577-00-03 | SHIM (T:0.30MM) | 1 | UR |
| 40 | 626-45577-00-05 | SHIM (T:0.50MM) | 1 | UR |
| 41 | 90201-17682-00 | WASHER, PLATE | 1 | |
| 42 | 683-45611-00-00 | SHAFT, PROPELLER | 1 | |
| 43 | 650-45635-00-00 | PLUNGER, SHIFT | 1 | |
| 44 | 682-45631-00-00 | CLUTCH, DOG | 1 | |
| 45 | 90250-05010-00 | PIN, STRAIGHT | 1 | |
| 46 | 648-45633-00-00 | RING, CROSS PIN | 1 | |
| 47 | 90501-14M06-00 | SPRING, COMPRESSION | 1 | |

| | | | | |
|----|-----------------|--------------------|---|----------|
| 48 | 683-45361-01-4D | CAP, LOWER CASING | 1 | |
| 49 | 93306-00518-00 | BEARING | 1 | |
| 50 | 93315-317U2-00 | BEARING | 1 | |
| 51 | 93101-17054-00 | .OIL SEAL | 2 | |
| 52 | 93210-57M09-00 | .O-RING | 1 | |
| 53 | 93210-56M80-00 | .O-RING | 1 | |
| 54 | 97595-06520-00 | BOLT, WITH WASHER | 2 | |
| 55 | 682-44150-00-00 | SHIFT CAM ASSEMBLY | 1 | UR SHORT |
| 55 | 682-44150-10-00 | SHIFT CAM ASSEMBLY | 1 | UR LONG |
| 56 | 682-44147-00-00 | .BOOT, SHIFT ROD | 1 | |
| 57 | 682-44176-00-00 | BRACKET | 1 | |
| 58 | 97780-50110-00 | SCREW, PAN HEAD | 1 | |

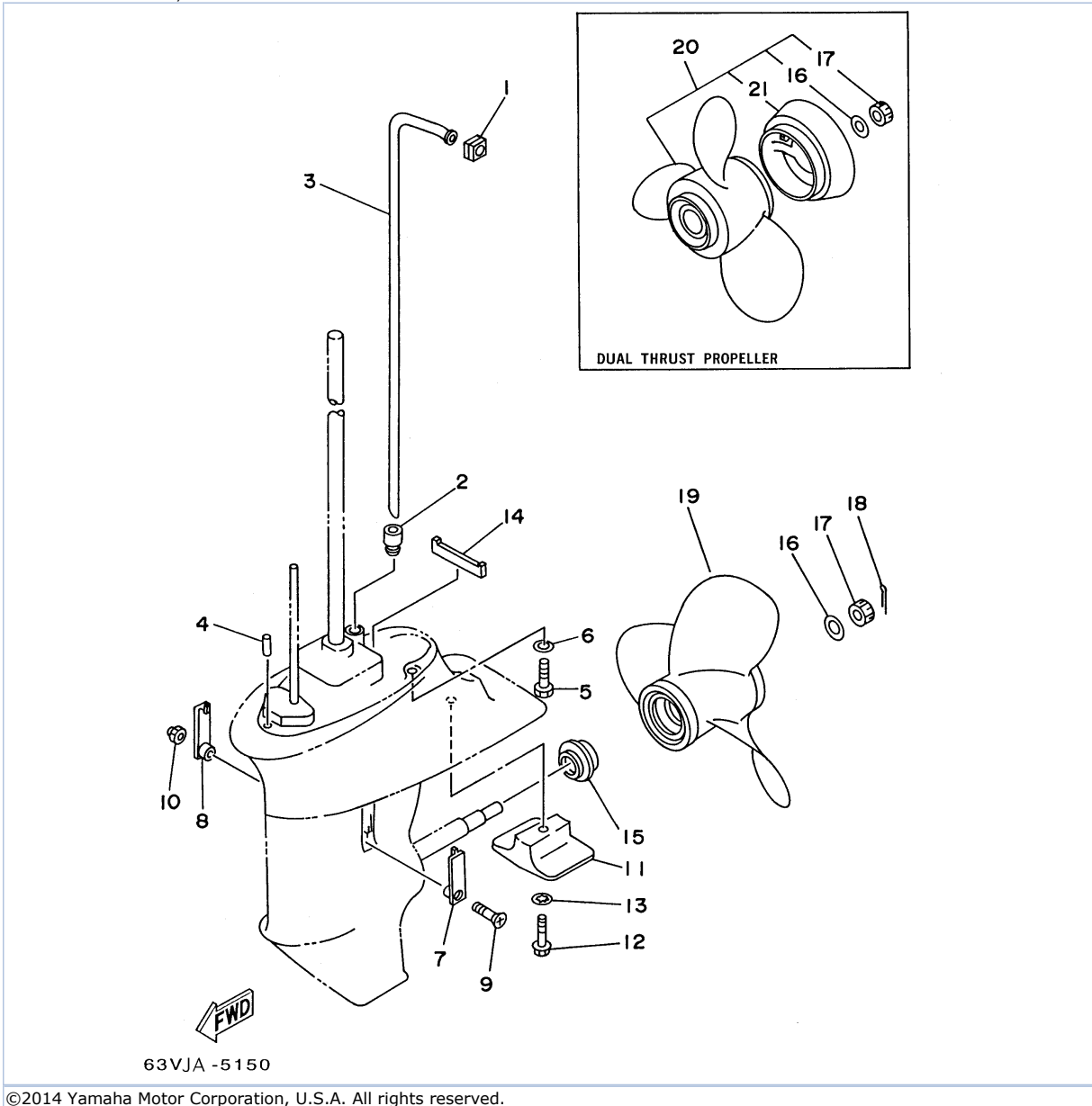
Part Notes

15ELHT 1995 / LOWER CASING DRIVE 1

| PART NUMBER | | NOTE TEXT |
|----------------|---|--|
| 90430-08020-00 |  | OEM: This part number is among the Top 100 Most Popular Marine Maintenance Parts as of March 2014. |
| 92990-06600-00 |  | OEM: This part number is among the Top 100 Most Popular Marine Maintenance Parts as of March 2014. |

©2014 Yamaha Motor Corporation, U.S.A. All rights reserved.

15ELHT 1995 / LOWER CASING DRIVE 2

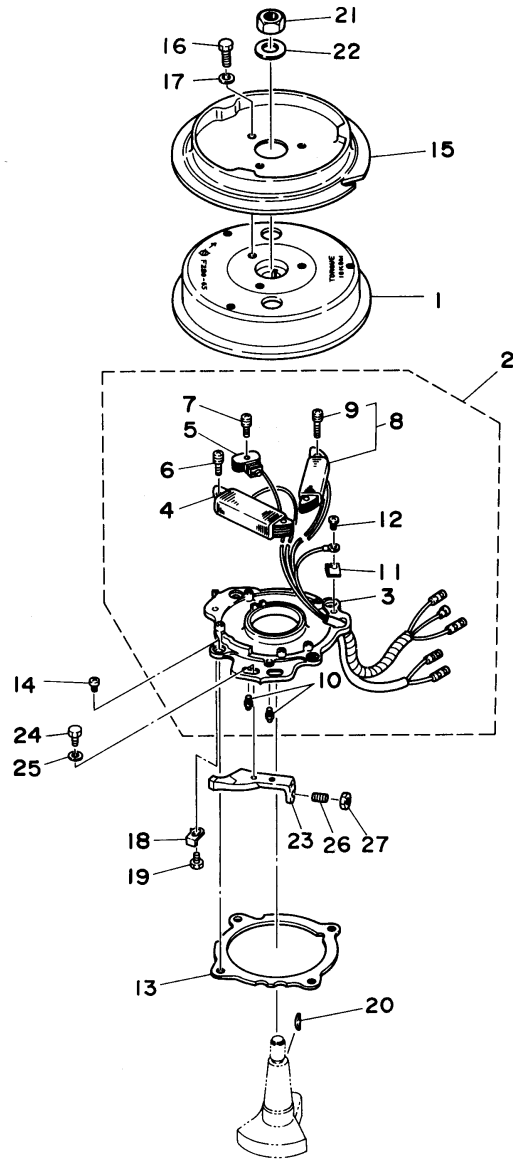


Part List

15ELHT 1995 / LOWER CASING DRIVE 2

| REF - NO | PART NUMBER | PART NAME | QUANTITY | REMARKS |
|----------|-----------------|--------------------------------|----------|----------|
| 1 | 6G1-44365-00-00 | DAMPER, WATER SEAL | 1 | |
| 2 | 63V-44368-00-00 | .RUBBER, WATER SEAL 4 | 1 | |
| 3 | 63V-44361-00-00 | TUBE, WATER | 1 | UR SHORT |
| 3 | 63V-44361-10-00 | TUBE, WATER | 1 | UR LONG |
| 4 | 93604-10M03-00 | PIN, DOWEL | 2 | |
| 5 | 97075-08030-00 | BOLT | 4 | |
| 6 | 92995-08600-00 | WASHER | 4 | |
| 7 | 6G1-45214-00-00 | COVER, WATER INLET 1 | 1 | |
| 8 | 63V-45215-00-00 | COVER, WATER INLET 2 | 1 | |
| 9 | 98780-05525-00 | SCREW, FLAT HEAD | 1 | |
| 10 | 90185-05002-00 | NUT, NYLON | 1 | |
| 11 | 61N-45251-00-00 | ANODE | 1 | |
| 12 | 95895-06035-00 | BOLT, FLANGE | 1 | |
| 13 | 92990-06300-00 | WASHER, INTERNAL TOOTH | 1 | |
| 14 | 63V-45375-00-00 | DAMPER, SEAL | 1 | |
| 15 | 6E7-45987-01-00 | SPACER 1 | 1 | |
| 16 | 90201-10M01-00 | WASHER, PLATE | 1 | |
| 17 | 90171-10M01-00 | NUT, CASTLE | 1 | |
| 18 | 91490-30020-00 | PIN. COTTER | 1 | |
| 19 | 683-45949-00-EL | PROPELLER (3X9-1/2"X6-1/2"-J) | 1 | UR |
| 19 | 683-45941-00-EL | PROPELLER (3X9-1/4"X12"-J) | 1 | UR |
| 19 | 683-45952-00-EL | PROPELLER (3X9-1/4"X9-3/4"-J) | 1 | UR |
| 19 | 683-45943-00-EL | PROPELLER (3X9-1/4"X10-1/2"-J) | 1 | UR |
| 19 | 683-45945-00-EL | PROPELLER (3X9-1/4"X9"-J) | 1 | UR |
| 19 | 683-45947-00-EL | PROPELLER (3X9-1/4"X8"-J) | 1 | UR |
| 20 | 683-W4592-02-EL | PROPELLER (3X9-3/4"X6-1/2"-J) | 1 | UR |
| 20 | 683-W4591-02-EL | PROPELLER (3X9-3/4"X8"-J) | 1 | UR |
| 21 | 6E7-45986-00-00 | .RING, DEFLECTOR | 1 | |

15ELHT 1995 / GENERATOR



©2014 Yamaha Motor Corporation, U.S.A. All rights reserved.


Part List

15ELHT 1995 / GENERATOR

| REF - NO | PART NUMBER | PART NAME | QUANTITY | REMARKS |
|----------|-----------------|-----------------------|----------|----------------|
| 1 | 6E7-85550-70-00 | ROTOR ASSEMBLY | 1 | UR 9.9MH/ 15MH |
| 1 | 6E7-85550-A0-00 | ROTOR ASSY | 1 | UR 9.9EH/ 15EH |
| 2 | 6E7-85560-A0-00 | BASE ASSY | 1 | |
| 3 | 6E7-85509-70-00 | .BASE, MAGNETO | 1 | |
| 4 | 6E7-85520-70-00 | .COIL, CHARGE | 1 | |
| 5 | 6E7-85580-70-00 | .COIL, PULSER | 1 | |
| 6 | 90159-05039-00 | .SCREW, W/WASHER | 2 | |
| 7 | 90159-05038-00 | .SCREW, WITH WASHER | 1 | |
| 8 | 6E7-81303-A0-00 | .LIGHTING COIL ASSY | 1 | |
| 9 | 90159-05039-00 | ..SCREW, W/WASHER | 2 | |
| 10 | 663-85518-00-00 | .JOINT, BALL | 2 | |
| 11 | 6E7-81328-70-00 | .CLAMP, CORD | 1 | |
| 12 | 98507-04006-00 | .SCREW, PAN HEAD | 1 | |
| 13 | 682-41613-02-00 | PLATE, BASE FRICTION | 1 | |
| 14 | 97890-05008-00 | SCREW, PAN HEAD | 5 | |
| 15 | 6E7-15723-00-94 | PULLEY, STARTER | 1 | |
| 16 | 97013-06012-00 | BOLT | 3 | |
| 17 | 92990-06600-00 | WASHER, PLATE | 3 | |
| 18 | 682-41616-00-00 | STOPPER, MAGNETO BASE | 1 | |
| 19 | 97095-05010-00 | BOLT | 1 | |
| 20 | 90280-16053-00 | KEY, WOODRUFF | 1 | |
| 21 | 90170-12066-00 | NUT | 1 | |
| 22 | 90201-12472-00 | WASHER, PLATE | 1 | |
| 23 | 6E8-41213-00-94 | CAM, ACCEL. | 1 | |
| 24 | 97095-05010-00 | BOLT | 2 | |
| 25 | 92990-05600-00 | WASHER, PLATE | 2 | |
| 26 | 90113-05M04-00 | BOLT, SET | 1 | |
| 27 | 95380-05700-00 | NUT | 1 | |

Part Notes

15ELHT 1995 / GENERATOR

| PART NUMBER | NOTE TEXT |
|--|--|
| 92990-06600-00  | OEM: This part number is among the Top 100 Most Popular Marine Maintenance Parts as of March 2014. |

©2014 Yamaha Motor Corporation, U.S.A. All rights reserved.

15ELHT 1995 / ELECTRICAL 1

No Image
Available

©2014 Yamaha Motor Corporation, U.S.A. All rights reserved.



Part List

15ELHT 1995 / ELECTRICAL 1

| REF - NO | PART NUMBER | PART NAME | QUANTITY | REMARKS |
|----------------|-----------------|------------------------|----------|---------|
| 1 | 6E7-85542-00-94 | BRACKET | 1 | |
| 2 | 6E7-82317-00-00 | DAMPER, IGNITION COIL | 2 | |
| 3 | 97595-06520-00 | BOLT, WITH WASHER | 2 | |
| 4 | 6E7-81916-00-00 | COVER, TERMINAL | 1 | |
| 5 | 695-85540-11-00 | C.D.I. UNIT ASSEMBLY | 1 | |
| 6 | 97095-06030-00 | BOLT | 2 | |
| 7 | 92990-06200-00 | WASHER, PLAIN | 2 | |
| 8 | 6E7-85570-19-00 | IGNITION COIL ASSEMBLY | 1 | |
| 9 | 97095-06030-00 | BOLT | 2 | |
| 10 | 92990-06600-00 | WASHER, PLATE | 2 | |
| 11 | 90480-25161-00 | GROMMET | 2 | |
| 12 | 663-82370-01-00 | PLUG CAP ASSY | 2 | |
| 13 | 682-81332-02-00 | PLATE, TIMING | 1 | |
| 14 | 97095-06016-00 | BOLT | 2 | |
| 15 | 92990-06600-00 | WASHER, PLATE | 2 | |

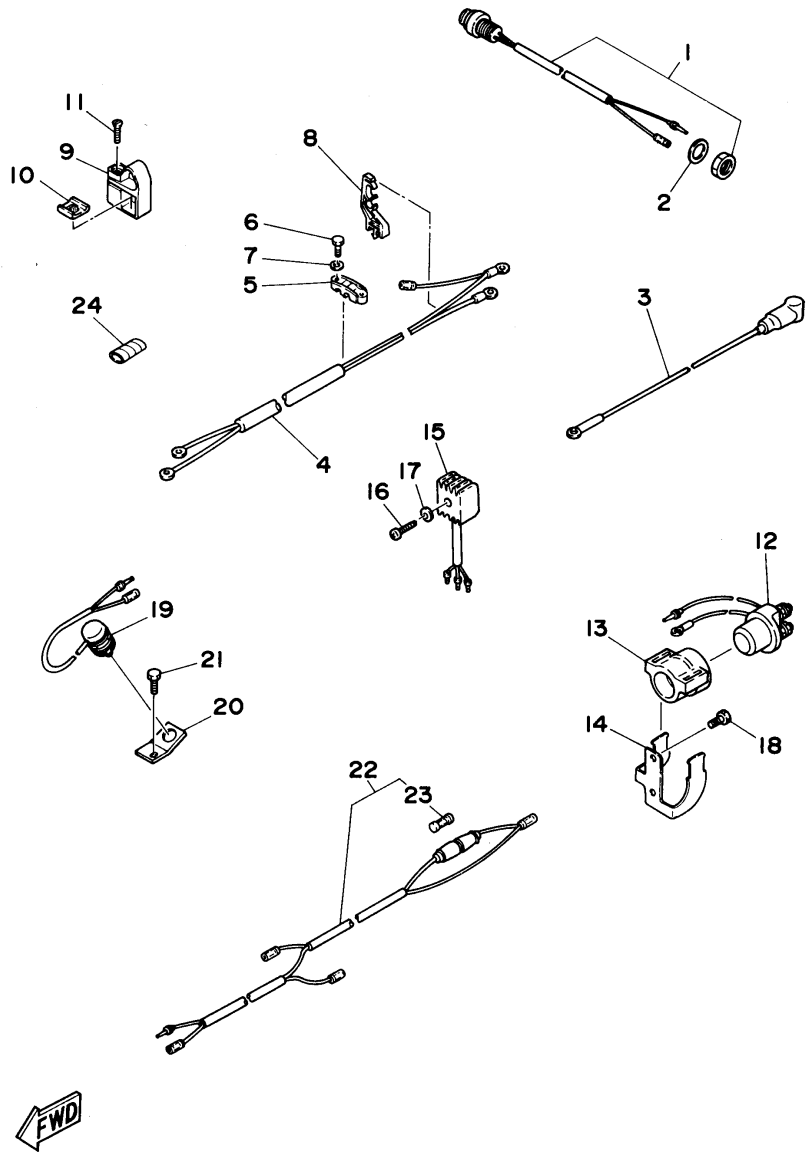
Part Notes

15ELHT 1995 / ELECTRICAL 1

| PART NUMBER | NOTE TEXT |
|--|--|
| 92990-06600-00  | OEM: This part number is among the Top 100 Most Popular Marine Maintenance Parts as of March 2014. |
| 92990-06600-00  | OEM: This part number is among the Top 100 Most Popular Marine Maintenance Parts as of March 2014. |

©2014 Yamaha Motor Corporation, U.S.A. All rights reserved.

15ELHT 1995 / ELECTRICAL 2 (9.9EH 15EH)



©2014 Yamaha Motor Corporation, U.S.A. All rights reserved.


Part List

15ELHT 1995 / ELECTRICAL 2 (9.9EH 15EH)

| REF - NO | PART NUMBER | PART NAME | QUANTITY | REMARKS |
|----------|-----------------|-------------------------|----------|---------|
| 1 | 689-81870-00-00 | STARTING SWITCH ASSY | 1 | |
| 2 | 90201-16M36-00 | WASHER, PLATE | 1 | |
| 3 | 6E7-82117-00-00 | WIRE, LEAD | 1 | |
| 4 | 6E7-82105-10-00 | BATTERY CABLE | 1 | |
| 5 | 90464-08M03-00 | CLAMP | 1 | |
| 6 | 97095-06016-00 | BOLT | 2 | |
| 7 | 92990-06600-00 | WASHER, PLATE | 2 | |
| 8 | 682-82594-01-00 | CLAMP | 1 | |
| 9 | 689-82594-00-00 | CLAMP | 1 | |
| 10 | 682-42525-00-00 | PLATE, FRICTION 1 | 1 | |
| 11 | 90161-06M03-00 | SCREW, TAPPING | 1 | |
| 12 | 6G1-81941-10-00 | STARTER RELAY ASSY | 1 | |
| 13 | 6G1-81952-00-00 | HOLDER, RELAY | 1 | |
| 14 | 6E7-81945-00-00 | PLATE, SWITCH FITTING | 1 | |
| 15 | 664-81970-61-00 | RECTIFIER ASSEMBLY | 1 | |
| 16 | 98580-05525-00 | SCREW, PAN HEAD | 1 | |
| 17 | 92990-05600-00 | WASHER, PLATE | 1 | |
| 18 | 97313-06014-00 | BOLT, HEXAGON | 2 | |
| 19 | 689-82540-01-00 | NEUTRAL SWITCH ASSEMBLY | 1 | |
| 20 | 682-82554-00-00 | STAY, NEUTRAL SWITCH | 1 | |
| 21 | 97013-06012-00 | BOLT | 1 | |
| 22 | 6E7-82541-00-00 | WIRE, LEAD | 1 | |
| 23 | 682-82151-00-00 | .FUSE (12V-20A) | 1 | |
| 24 | 90446-10M02-00 | HOSE | 1 | |

Part Notes

15ELHT 1995 / ELECTRICAL 2 (9.9EH 15EH)

| PART NUMBER | NOTE TEXT |
|--|--|
| 92990-06600-00  | OEM: This part number is among the Top 100 Most Popular Marine Maintenance Parts as of March 2014. |

©2014 Yamaha Motor Corporation, U.S.A. All rights reserved.

15ELHT 1995 / STARTING MOTOR (9.9EH 15EH)

No Image
Available

©2014 Yamaha Motor Corporation, U.S.A. All rights reserved.



Part List

15ELHT 1995 / STARTING MOTOR (9.9EH 15EH)

| REF - NO | PART NUMBER | PART NAME | QUANTITY | REMARKS |
|----------------|-----------------|--|----------|---------|
| 1 | 682-81800-12-00 | STARTING MOTOR ASSEMBLY | 1 | |
| 2 | 682-81850-11-00 | .ARMATURE ASSEMBLY | 1 | |
| 3 | 682-81809-10-00 | .WASHER KIT | 1 | |
| 4 | 682-81833-10-00 | .PINION STOPPER SET | 1 | |
| 5 | 682-81810-11-00 | .STATOR ASSY | 1 | |
| 6 | 682-81820-10-00 | .REAR COVER ASSY | 1 | |
| 7 | 682-81840-10-00 | ..BRUSH HOLDER ASSY | 1 | |
| 8 | 682-81813-10-00 | ..SPRING, BRUSH | 2 | |
| 9 | 682-81811-10-00 | ..BRUSH 1 (+) | 1 | |
| 10 | 682-81812-10-00 | ..BRUSH 2 (-) | 1 | |
| 11 | 682-81832-10-00 | .PINION ASSY | 1 | |
| 12 | 682-81830-10-00 | .FRONT COVER ASSY | 1 | |
| 13 | 682-81826-10-00 | .BOLT | 2 | |
| 14 | 682-81847-10-00 | .O-RING | 2 | |
| 15 | 682-81834-10-00 | .RING | 1 | |
| 16 | 97013-08025-00 | BOLT | 2 | |
| 17 | 92990-08600-00 | ..WASHER, PLATE | 2 | |
| 18 | 682-81822-43-94 | BRACKET, ELECTRIC MOTOR (682-81822-42-94) | 1 | |
| 19 | 97595-06520-00 | BOLT, WITH WASHER | 2 | |
| 20 | 97095-06025-00 | BOLT | 1 | |
| 21 | 92990-06600-00 | WASHER, PLATE | 1 | |
| 22 | 97095-06030-00 | BOLT | 1 | |
| 23 | 92990-06600-00 | WASHER, PLATE | 1 | |

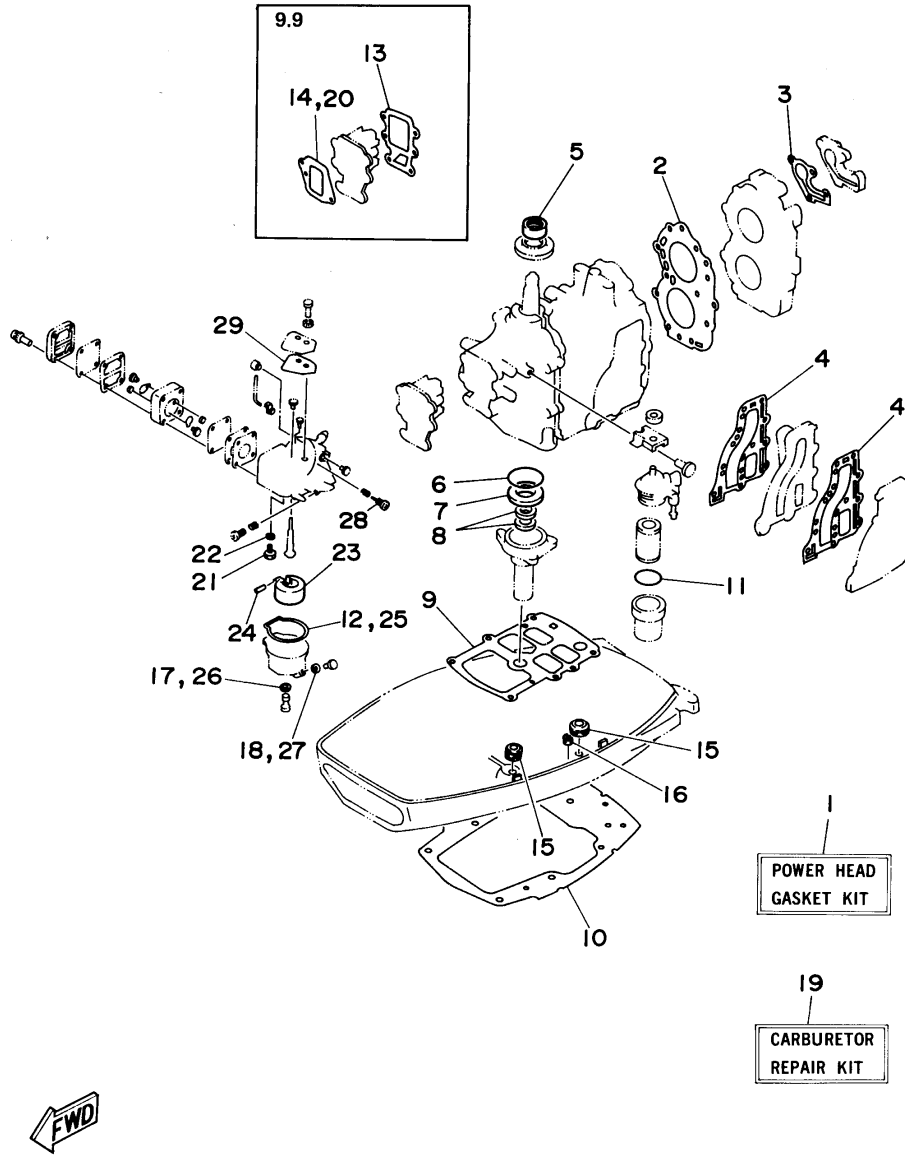
Part Notes

15ELHT 1995 / STARTING MOTOR (9.9EH 15EH)

| PART NUMBER | | NOTE TEXT |
|----------------|---|--|
| 92990-06600-00 |  | OEM: This part number is among the Top 100 Most Popular Marine Maintenance Parts as of March 2014. |
| 92990-06600-00 |  | OEM: This part number is among the Top 100 Most Popular Marine Maintenance Parts as of March 2014. |

©2014 Yamaha Motor Corporation, U.S.A. All rights reserved.

15ELHT 1995 / REPAIR KIT 1



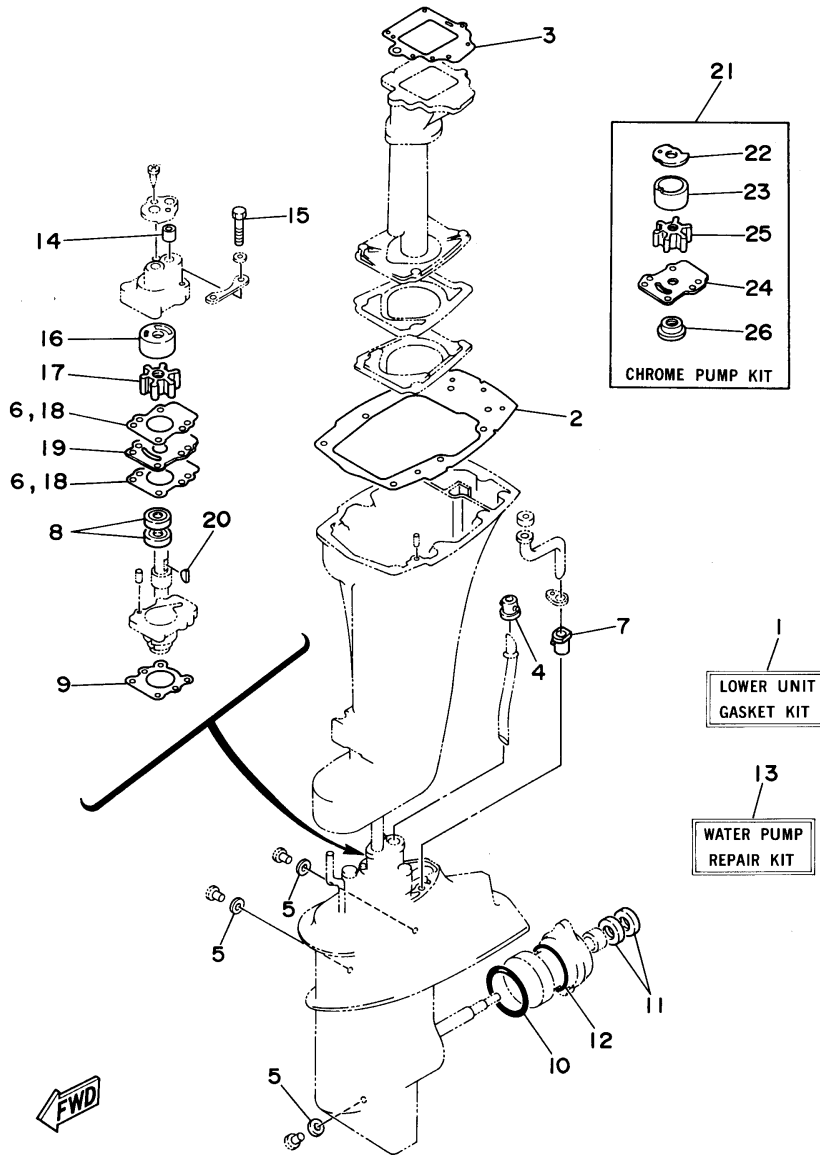
©2014 Yamaha Motor Corporation, U.S.A. All rights reserved.

Part List

15ELHT 1995 / REPAIR KIT 1

| REF - NO | PART NUMBER | PART NAME | QUANTITY | REMARKS |
|----------------|-----------------|---------------------------------|----------|---------|
| 1 | 682-W0001-06-00 | POWER HEAD GASKET KIT | 1 | UR 15 |
| 1 | 6E7-W0001-02-00 | POWER HEAD GASKET KIT | 1 | UR 9.9 |
| 2 | 6E7-11181-A0-00 | .GASKET, CYLINDER HEAD 1 | 1 | |
| 3 | 682-12414-A1-00 | .GASKET, COVER | 1 | |
| 4 | 682-41112-A1-00 | .GASKET, EXHAUST INNER COVER | 2 | |
| 5 | 93110-23M00-00 | .OIL SEAL | 1 | |
| 6 | 93210-53679-00 | .O-RING | 1 | |
| 7 | 93101-20M29-00 | .OIL SEAL | 1 | |
| 8 | 93101-13M11-00 | .OIL SEAL | 2 | |
| 9 | 682-11351-A0-00 | .GASKET, CYLINDER | 1 | |
| 10 | 682-45113-A1-00 | .GASKET, UPPER CASING | 1 | |
| 11 | 93210-32738-00 | .O-RING | 1 | |
| 12 | 677-14384-01-00 | .GASKET, FLOAT CHAMBER | 1 | |
| 13 | 682-13621-A0-00 | .GASKET, VALVE SEAT | 1 | 9.9 |
| 14 | 677-14198-A0-00 | .GASKET | 1 | 9.9 |
| 15 | 682-44367-00-00 | .DAMPER, WATER SEAL | 2 | |
| 16 | 682-44366-00-00 | .DAMPER, WATER SEAL | 1 | |
| 17 | 1J2-14398-00-00 | .GASKET | 1 | |
| 18 | 655-14398-00-00 | .GASKET | 1 | |
| 19 | 6E7-W0093-03-00 | CARBURETOR REPAIR KIT | 1 | UR 9.9 |
| 19 | 6E8-W0093-00-00 | CARBURETOR REPAIR KIT | 1 | UR 15 |
| 20 | 677-14198-A0-00 | .GASKET | 1 | 9.9 |
| 21 | 6E8-14390-12-00 | .NEEDLE VALVE ASSEMBLY | 1 | UR 9.9 |
| 21 | 61J-14390-00-00 | .NEEDLE VALVE ASSEMBLY | 1 | UR 15 |
| 22 | 367-14195-00-00 | .GASKET | 1 | |
| 23 | 6E7-14385-00-00 | .FLOAT | 1 | |
| 24 | 647-14386-10-00 | .PIN, FLOAT | 1 | |
| 25 | 677-14384-01-00 | .GASKET, FLOAT CHAMBER | 1 | |
| 26 | 1J2-14398-00-00 | .GASKET | 1 | |
| 27 | 655-14398-00-00 | .GASKET | 1 | |
| 28 | 647-14323-00-00 | .SCREW, AIR ADJUSTING | 1 | |
| 29 | 6E7-14227-00-00 | .GASKET | 1 | |

15ELHT 1995 / REPAIR KIT 2



©2014 Yamaha Motor Corporation, U.S.A. All rights reserved.


Part List

15ELHT 1995 / REPAIR KIT 2

| REF - NO | PART NUMBER | PART NAME | QUANTITY | REMARKS |
|----------|-----------------|-----------------------------|----------|---------|
| 1 | 683-W0001-22-00 | LOWER UNIT GASKET KIT | 1 | |
| 2 | 682-45113-A1-00 | .GASKET, UPPER CASING | 1 | |
| 3 | 682-41133-A0-00 | .GASKET, EXHAUST MANIFOLD 1 | 1 | |
| 4 | 626-44365-01-00 | .DAMPER, WATER SEAL | 1 | |
| 5 | 90430-08020-00 | .GASKET | 3 | |
| 6 | 682-44315-A0-00 | .GASKET, WATER PUMP | 2 | |
| 7 | 6E7-44366-00-00 | .DAMPER, WATER SEAL | 1 | |
| 8 | 93101-20048-00 | .OIL SEAL | 2 | |
| 9 | 683-45315-A0-00 | .PACKING, LOWER CASING | 1 | |
| 10 | 93210-57M09-00 | .O-RING | 1 | |
| 11 | 93101-17054-00 | .OIL SEAL | 2 | |
| 12 | 93210-56M80-00 | .O-RING | 1 | |
| 13 | 682-W0078-01-00 | WATER PUMP REPAIR KIT | 1 | |
| 14 | 682-44365-00-00 | .DAMPER, WATER SEAL | 1 | |
| 15 | 97095-06040-00 | .BOLT | 4 | |
| 16 | 682-44322-00-00 | .INSERT, CARTRIDGE | 1 | |
| 17 | 682-44352-01-00 | .IMPELLER | 1 | |
| 18 | 682-44315-A0-00 | .GASKET, WATER PUMP | 2 | |
| 19 | 682-44323-00-00 | .OUTER PLATE, CARTRIDGE | 1 | |
| 20 | 90280-03024-00 | .KEY, WOODRUFF | 1 | |
| 21 | 682-W0078-0A-00 | CHROME PUMP KIT | 1 | |
| 22 | 682-44321-40-00 | .INNER PLATE, CARTRIDGE | 1 | |
| 23 | 682-44322-40-00 | .INSERT, CARTRIDGE | 1 | |
| 24 | 682-44323-40-00 | .OUTER PLATE, CARTRIDGE | 1 | |
| 25 | 682-44352-01-00 | .IMPELLER | 1 | |
| 26 | 682-45344-00-00 | .COVER, OIL SEAL | 1 | |

Part Notes

15ELHT 1995 / REPAIR KIT 2

| PART NUMBER | NOTE TEXT |
|--|--|
| 90430-08020-00  | OEM: This part number is among the Top 100 Most Popular Marine Maintenance Parts as of March 2014. |

©2014 Yamaha Motor Corporation, U.S.A. All rights reserved.

©2014 Yamaha Motor Corporation, U.S.A. All rights reserved.