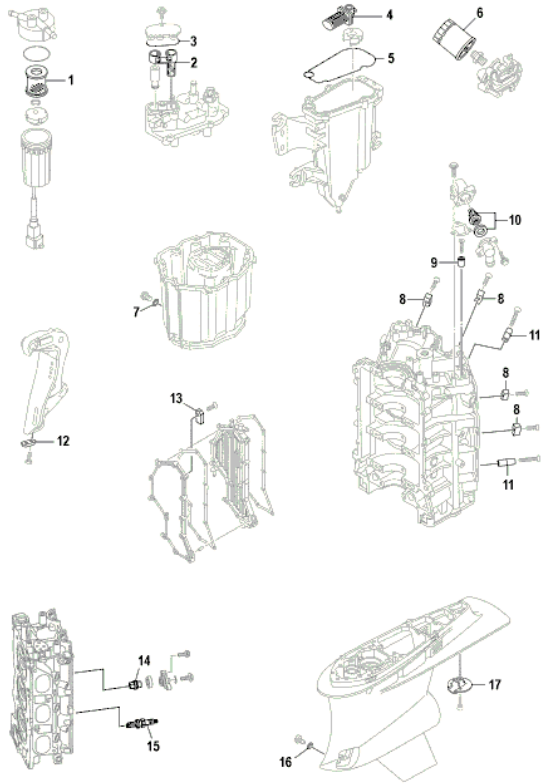


VF200LA 0410 / SCHEDULED SERVICE PARTS



©2013 Yamaha Motor Corporation, U.S.A. All rights reserved.








Part List

VF200LA 0410 / SCHEDULED SERVICE PARTS

REF - NO	PART NUMBER	PART NAME	QUANTITY	REMARKS
1	6P3-WS24A-00-00	ELEMENT, FILTER	1	FUEL 1 (REF 12)
2	6CB-24501-00-00	FILTER, FUEL	1	FUEL INJECTION PUMP 1 (REF 3)
3	6CB-13016-00-00	.O-RING	1	FUEL INJECTION PUMP 1 (REF 5)
4	6CB-13915-00-00	FILTER	1	FUEL INJECTION PUMP 1 (REF 19)
5	6CB-14984-00-00	GASKET, FLOAT CHAMBER	1	FUEL INJECTION PUMP 1 (REF 27)
6	N26-13440-00-00	ELEMENT ASSY, OIL CLEANER	1	CYLINDER CRANKCASE 1 (REF 30)
7	90430-14M09-00	.GASKET	1	OIL PAN (REF 5)
8	6AW-1132P-00-00	ANODE 5	4	CYLINDER CRANKCASE 1 (REF 24)
9	68T-11325-00-00	ANODE	2	CYLINDER CRANKCASE 1 (REF 26)
10	67F-12411-01-00	THERMOSTAT	2	CYLINDER CRANKCASE 1 (REF 16)
11	6AW-1132N-01-00	ANODE 4	2	CYLINDER CRANKCASE 1 (REF 28)
12	65W-45251-00-00	ANODE	2	BRACKET 1 (REF 2)
13	63P-11325-01-00	ANODE	2	CYLINDER CRANKCASE 1 (REF 14)
14	67F-11325-01-00	.ANODE	8	CYLINDER CRANKCASE 2 (REF 22)
15	LFR-6A110-00-00	PLUG, SPARK (NGK LFR6A-11)	6	CYLINDER CRANKCASE 2 (REF 48)
16	90430-08020-00	.GASKET	2	LOWER CASING DRIVE 1 (REF 6)
17	6AW-45619-00-00	CAP	1	LOWER CASING DRIVE 2 (REF 15)

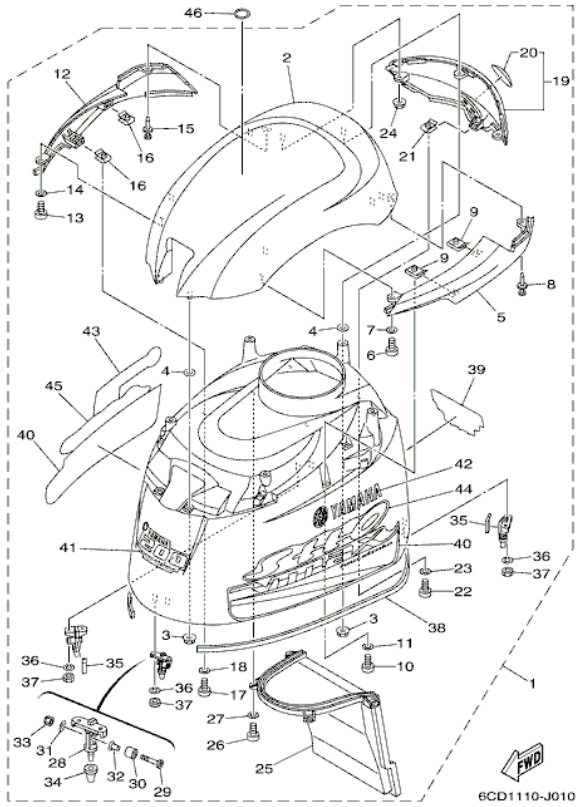
Part Notes

VF200LA 0410 / SCHEDULED SERVICE PARTS

PART NUMBER	NOTE TEXT
N26-13440-00-00 	OEM: This part number is among the Top 100 Most Popular Marine Maintenance Parts as of August 2013.
90430-14M09-00 	OEM: This part number is among the Top 100 Most Popular Marine Maintenance Parts as of August 2013.
67F-12411-01-00 	OEM: This part number is among the Top 100 Most Popular Marine Maintenance Parts as of August 2013.
65W-45251-00-00 	OEM: This part number is among the Top 100 Most Popular Marine Maintenance Parts as of August 2013.
67F-11325-01-00 	OEM: This part number is among the Top 100 Most Popular Marine Maintenance Parts as of August 2013.
LFR-6A110-00-00 	OEM: This part number is among the Top 100 Most Popular Marine Maintenance Parts as of August 2013.
90430-08020-00 	OEM: This part number is among the Top 100 Most Popular Marine Maintenance Parts as of August 2013.

©2013 Yamaha Motor Corporation, U.S.A. All rights reserved.

VF200LA 0410 / TOP COWLING



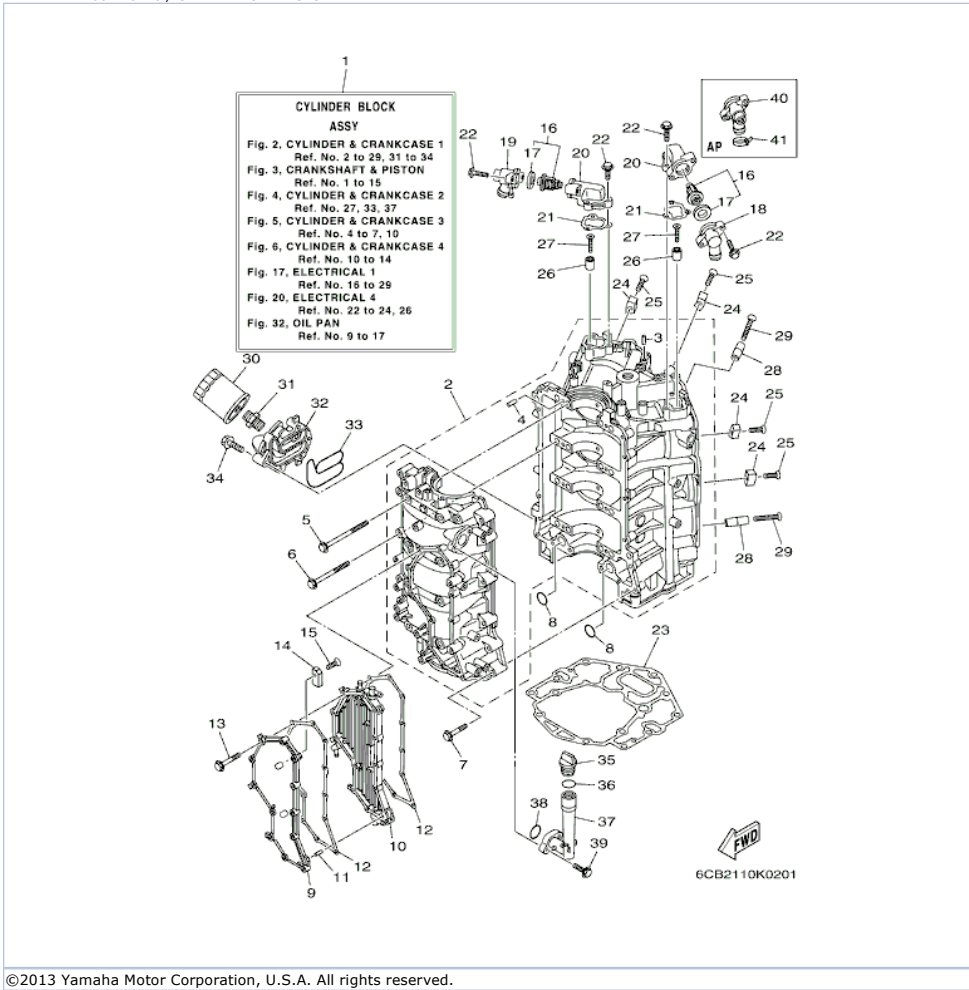
©2013 Yamaha Motor Corporation, U.S.A. All rights reserved.

Part List

VF200LA 0410 / TOP COWLING

REF - NO	PART NUMBER	PART NAME	QUANTITY	REMARKS
1	6CD-42610-00-00	TOP COWLING ASSY	1	
2	6CB-42613-00-NA	.MOLDING, AIR DUCT	1	
3	90179-06029-00	.NUT	7	
4	6CB-42545-00-00	.WASHER, PLAIN	7	
5	6CB-42626-00-NA	.LOUVER, 1	1	
6	97780-60616-00	.SCREW, TAPPING	1	
7	92990-06200-00	.WASHER, PLAIN	1	
8	90269-05005-00	.RIVET	1	
9	90183-051A5-00	.NUT, SPRING	2	
10	97880-05014-00	.SCREW, PAN HEAD	2	
11	92990-05600-00	.WASHER, PLATE	2	
12	6CB-42636-00-NA	.LOUVER 2	1	
13	97780-60616-00	.SCREW, TAPPING	1	
14	92990-06200-00	.WASHER, PLAIN	1	
15	90269-05005-00	.RIVET	1	
16	90183-051A5-00	.NUT, SPRING	2	
17	97880-05014-00	.SCREW, PAN HEAD	2	
18	92990-05600-00	.WASHER, PLATE	2	
19	6CB-Y426J-00-00	.REAR PANEL ASSY	1	
20	6AW-42697-10-00	.TUNING FORK MARK	1	
21	90183-051A5-00	.NUT, SPRING	1	
22	97880-05014-00	.SCREW, PAN HEAD	1	
23	92990-05600-00	.WASHER, PLATE	1	
24	90179-06029-00	.NUT	2	
25	6CB-42635-00-00	.DUCT, WATER SEPARATOR	1	
26	97780-60616-00	.SCREW, TAPPING	4	
27	92990-06200-00	.WASHER, PLAIN	4	
28	6CB-42647-00-00	.HOLDER, CLAMP BAND	3	
29	90111-08078-00	.BOLT,HEX SOCKET BUTTON	3	
30	90387-10094-00	.COLLAR	3	
31	92990-08600-00	.WASHER, PLATE	3	
32	90387-08M45-00	.COLLAR	3	
33	95780-08300-00	.NUT, FLANGE	3	
34	6AW-42663-00-00	.DAMPER	3	
35	6CB-42134-00-00	.COVER	2	
36	92990-06100-00	.WASHER, SPRING	6	
37	95380-06600-00	.NUT, HEXAGON	6	
38	6CB-42628-00-00	.SEAL	1	
39	6CD-42678-00-00	.GRAPHIC, REAR	1	
40	6CB-W0070-00-00	.GRAPHIC SET	1	
41	6CD-42677-00-00	.GRAPHIC, FRONT	1	
42	6CB-42681-00-00	.MARK, COWLING	1	
43	6CB-42682-00-00	.MARK, COWLING	1	
44	6CB-42683-00-00	.MARK, COWLING	1	
45	6CB-42684-00-00	.MARK, COWLING	1	
46	67F-13434-20-00	LABEL, CAUTION	1	

VF200LA 0410 / CYLINDER CRANKCASE 1





Part List

VF200LA 0410 / CYLINDER CRANKCASE 1

REF - NO	PART NUMBER	PART NAME	QUANTITY	REMARKS
1	6CB-W009B-01-00	CYLINDER BLOCK ASSY	1	
1	6CB-W009B-03-00	CYLINDER BLOCK ASSY	1	UR 6CD:1000692-
2	6CB-W1510-01-00	CRANKCASE ASSY	1	UR 6CD: 1000692-
2	6CB-15100-00-00	CRANKCASE ASSY	1	
3	93606-12019-00	.PIN, DOWEL	3	
4	93606-12019-00	.PIN, DOWEL	8	
5	6CB-15187-00-00	BOLT	8	
6	6CB-15481-00-00	BOLT 1	8	
7	90105-08175-00	BOLT, FLANGE	16	
8	93210-26658-00	.O-RING	2	
9	6CB-15411-00-00	COVER, CRANKCASE 1	1	
10	6CB-15421-00-00	COVER, CRANKCASE 2	1	
11	91690-40010-00	PIN, SPRING	1	
12	6CB-15451-00-00	.GASKET, CRANKCASE COVER 1	2	
13	90105-06151-00	BOLT, FLANGE	12	
14	63P-11325-01-00	ANODE	2	
15	90151-06M02-00	SCREW, COUNTERSUNK	2	
16	67F-12411-01-00	THERMOSTAT	2	
17	67F-12412-00-00	.SEAL, THERMOSTAT	1	
18	6CB-12413-01-00	COVER, THERMOSTAT	1	
19	6CB-12413-11-94	COVER, THERMOSTAT	1	
20	6CB-12422-01-00	COVER, HOUSING	2	
21	6CB-12427-00-00	.GASKET, HOUSING COVER 1	2	
22	90105-06037-00	BOLT, FLANGE	10	
23	6CB-11351-00-00	.GASKET, CYLINDER	1	
24	6AW-1132P-00-00	ANODE 5	4	
25	98780-06530-00	SCREW, FLAT HEAD	4	
26	68T-11325-00-00	ANODE	2	
27	90151-05M05-00	SCREW, COUNTERSUNK	2	
28	6AW-1132N-01-00	ANODE 4	2	
29	98780-06550-00	SCREW, FLAT HEAD	2	
30	N26-13440-00-00	ELEMENT ASSY, OIL CLEANER	1	
31	90401-19001-00	BOLT, UNION	1	
32	6CB-13446-00-00	CONNECTOR	1	
33	6CB-13477-00-00	.GASKET	1	
34	90105-06151-00	BOLT, FLANGE	5	
35	6G8-15363-00-00	PLUG, OIL	1	
36	93210-24M79-00	.O-RING	1	
37	6CB-15319-00-00	JOINT	1	
38	93210-27370-00	O-RING	1	
39	90105-06037-00	BOLT, FLANGE	2	
40	6CB-1241B-01-00	COVER, THERMOSTAT 2	1	AP WATER TEMP SENSOR
41	90465-11M59-00	CLAMP	1	AP WATER TEMP SENSOR

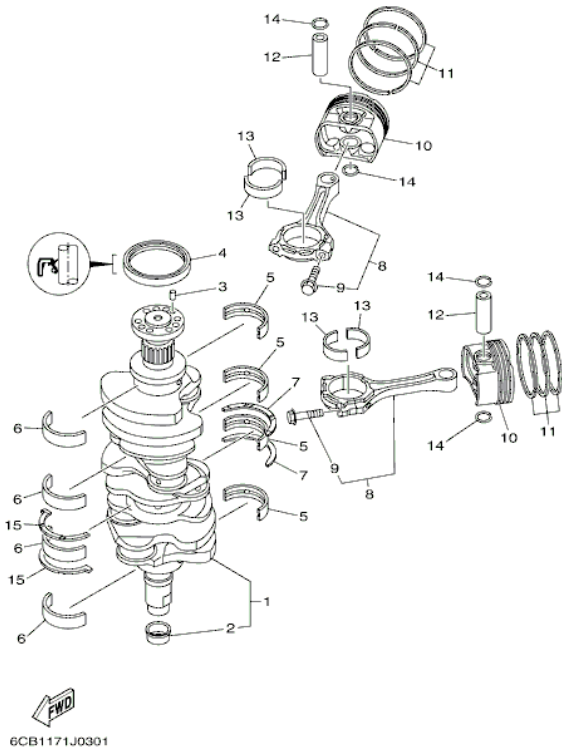
Part Notes

VF200LA 0410 / CYLINDER CRANKCASE 1

PART NUMBER	NOTE TEXT
67F-12411-01-00 	OEM: This part number is among the Top 100 Most Popular Marine Maintenance Parts as of August 2013.
N26-13440-00-00 	OEM: This part number is among the Top 100 Most Popular Marine Maintenance Parts as of August 2013.

©2013 Yamaha Motor Corporation, U.S.A. All rights reserved.

VF200LA 0410 / CRANKSHAFT PISTON

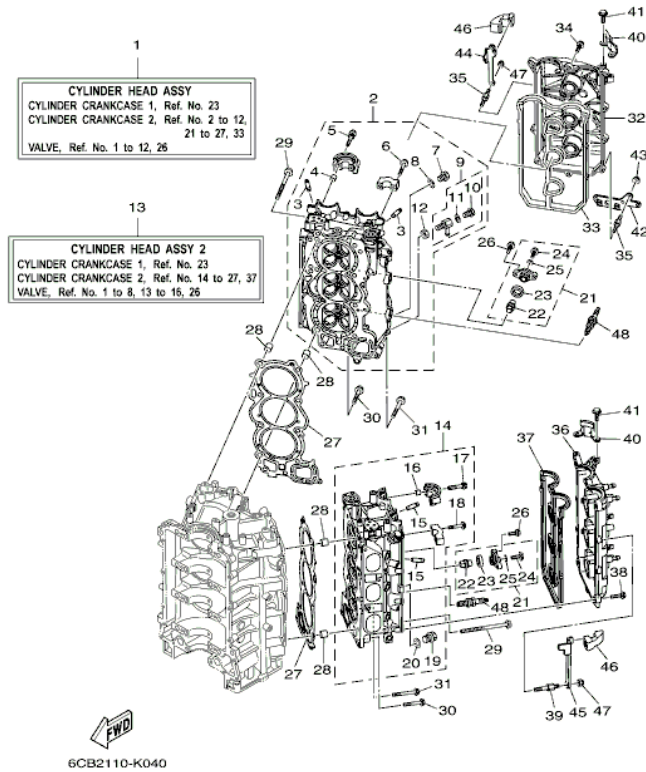


Part List

VF200LA 0410 / CRANKSHAFT PISTON

REF - NO	PART NUMBER	PART NAME	QUANTITY	REMARKS
1	6CB-11410-00-00	CRANKSHAFT	1	
2	6CB-11478-00-00	.COLLAR	1	
3	93606-12019-00	.PIN, DOWEL	1	
4	93102-85008-00	.OIL SEAL	1	
5	6CB-11416-30-00	PLANE BEARING, CRANKSHAFT 1	4	UR GREEN
5	6CB-11416-10-00	PLANE BEARING, CRANKSHAFT 1	4	UR YELLOW
5	6CB-11416-40-00	PLANE BEARING, CRANKSHAFT 1	4	UR BROWN
5	6CB-11416-00-00	PLANE BEARING, CRANKSHAFT 1	4	UR PURPLE
5	6CB-11416-20-00	PLANE BEARING, CRANKSHAFT 1	4	UR RED
6	6CB-11417-10-00	PLANE BEARING, CRANKSHAFT 2	4	UR YELLOW
6	6CB-11417-20-00	PLANE BEARING, CRANKSHAFT 2	4	UR RED
6	6CB-11417-30-00	PLANE BEARING, CRANKSHAFT 2	4	UR GREEN
6	6CB-11417-40-00	PLANE BEARING, CRANKSHAFT 2	4	UR BROWN
6	6CB-11417-00-00	PLANE BEARING, CRANKSHAFT 2	4	UR PURPLE
7	6CB-11426-01-00	BEARING, THRUST 1	2	UR 6CD:1000692-
7	6CB-11426-00-00	BEARING, THRUST 1	2	
8	6CB-W1165-00-00	CONNECTING ROD ASSY	6	
9	6CB-11654-00-00	.BOLT, CONNECTING ROD	2	
10	6CB-11631-00-00	PISTON (STD)	6	
11	6CB-11603-00-00	PISTON RING SET (STD)	6	
12	6CB-11633-00-00	PIN, PISTON	6	
13	6CB-11656-10-00	PLANE BEARING, CONNECTING ROD	12	UR GREEN
13	6CB-11656-20-00	PLANE BEARING, CONNECTING ROD	12	UR BLUE
13	6CB-11656-00-00	PLANE BEARING, CONNECTING ROD	12	UR YELLOW
14	K0F-A3233-00-00	RING,HOLE SNAP	12	
15	6CB-11427-00-00	BEARING, THRUST 2	2	UR 6CD:1000692-

VF200LA 0410 / CYLINDER CRANKCASE 2



©2013 Yamaha Motor Corporation, U.S.A. All rights reserved.



Part List

VF200LA 0410 / CYLINDER CRANKCASE 2

REF - NO	PART NUMBER	PART NAME	QUANTITY	REMARKS
1	6CB-W009A-00-00	CYLINDER HEAD COMPLETE	1	
2	6CB-11110-00-00	CYLINDER HEAD ASSY	1	
3	6S5-11133-10-00	.GUIDE, VALVE 1	12	
4	91809-08006-00	.PIN, DOWEL	4	
5	90119-07001-00	.BOLT, WITH WASHER	4	
6	90119-07234-00	.BOLT, WITH WASHER	12	
7	90340-18M09-00	.PLUG, STRAIGHT SCREW	1	
8	90430-18130-00	.GASKET	1	
9	6CB-83609-00-00	.CONNECTOR ASSY	1	
10	90340-14M06-00	..PLUG, STRAIGHT SCREW	1	
11	90430-14115-00	..GASKET	1	
12	95380-14700-00	.NUT	1	
13	6CB-W009C-00-00	CYLINDER HEAD 2 COMPLETE	1	
14	6CB-11120-00-00	CYLINDER HEAD ASSY 2	1	
15	6S5-11133-10-00	.GUIDE, VALVE 1	12	
16	91809-08006-00	.PIN, DOWEL	4	
17	90119-07001-00	.BOLT, WITH WASHER	4	
18	90119-07234-00	.BOLT, WITH WASHER	12	
19	90340-18M09-00	.PLUG, STRAIGHT SCREW	1	
20	90430-18130-00	.GASKET	1	
21	67F-11301-00-00	ANODE COVER ASSY	8	
22	67F-11325-01-00	.ANODE	1	
23	67F-11328-00-00	.GROMMET, ANODE	1	
24	90105-06M07-00	.BOLT, FLANGE	1	
25	90430-06M03-00	.GASKET	1	
26	95885-08025-00	BOLT, FLANGE	16	
27	6CB-11181-00-00	.GASKET, CYLINDER HEAD 1	2	
28	90387-11005-00	COLLAR	4	
29	90155-11002-00	SCREW, FLAT FILLISTER	16	
30	90105-08175-00	BOLT, FLANGE	4	
31	90105-08220-00	BOLT, FLANGE	2	
32	6CB-11191-01-00	COVER, CYLINDER HEAD 1	1	
33	6CB-11193-00-00	.GASKET, HEAD COVER 1	1	
34	95895-06030-00	BOLT, FLANGE	9	
35	90109-06277-00	BOLT	4	
36	6CB-11192-01-00	COVER, CYLINDER HEAD 2	1	
37	6CB-11194-00-00	.GASKET, HEAD COVER 2	1	
38	95895-06030-00	BOLT, FLANGE	11	
39	90109-06277-00	BOLT	2	
40	6AW-15142-00-00	GUIDE 1	2	
41	95885-06014-00	BOLT, FLANGE	4	
42	6CB-2134V-00-00	BRACKET	1	
43	90179-06M28-00	NUT	2	
44	6CB-11998-00-00	BRACKET 1	1	
45	6CB-11999-00-00	BRACKET 2	1	
46	6CB-42662-00-00	DAMPER	2	
47	90185-06M07-00	NUT, SELF-LOCKING	4	
48	LFR-6A110-00-00	PLUG, SPARK (NGK LFR6A-11)	6	

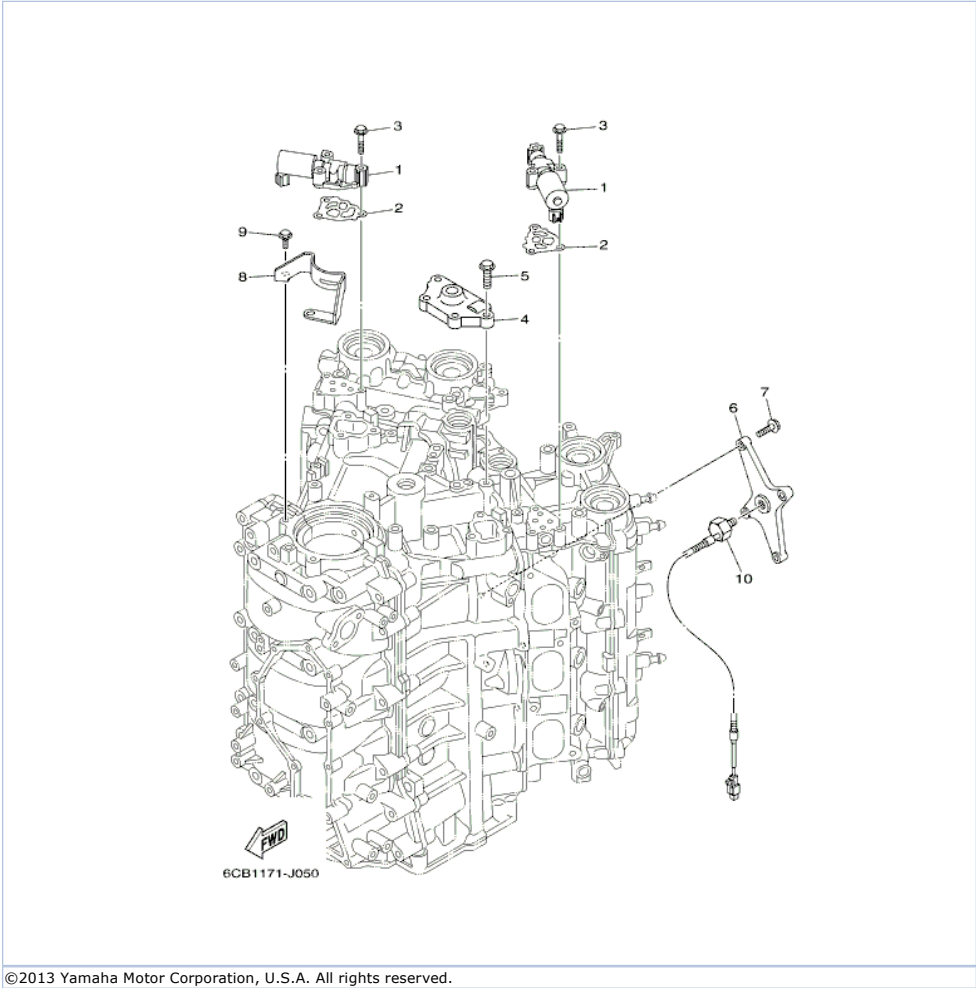
Part Notes

VF200LA 0410 / CYLINDER CRANKCASE 2

PART NUMBER	NOTE TEXT
67F-11325-01-00 	OEM: This part number is among the Top 100 Most Popular Marine Maintenance Parts as of August 2013.
67F-11328-00-00 	OEM: This part number is among the Top 100 Most Popular Marine Maintenance Parts as of August 2013.
LFR-6A110-00-00 	OEM: This part number is among the Top 100 Most Popular Marine Maintenance Parts as of August 2013.

©2013 Yamaha Motor Corporation, U.S.A. All rights reserved.

VF200LA 0410 / CYLINDER CRANKCASE 3



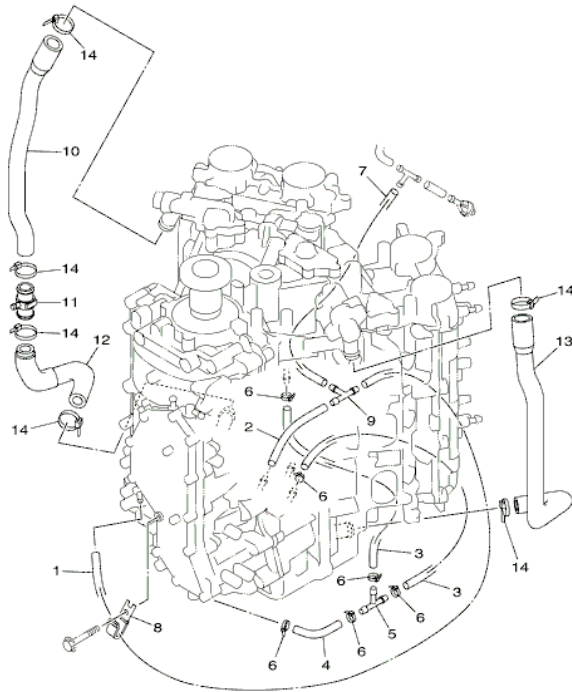
©2013 Yamaha Motor Corporation, U.S.A. All rights reserved.

Part List

VF200LA 0410 / CYLINDER CRANKCASE 3

REF - NO	PART NUMBER	PART NAME	QUANTITY	REMARKS
1	6CB-86120-00-00	SOLENOID VALVE ASSY	2	
2	6CB-1242F-00-00	.GASKET, FILTER	2	
3	90105-06035-00	BOLT, FLANGE	6	
4	6CB-15544-00-00	STAY 1	1	
5	90105-08178-00	BOLT, FLANGE	4	
6	6CB-1135A-00-00	BRACKET	1	
7	90105-06037-00	BOLT, FLANGE	4	
8	6CB-15142-00-00	GUIDE 1	1	
9	95885-06014-00	BOLT, FLANGE	2	
10	6P2-85780-00-00	SENSOR, KNOCK	1	

VF200LA 0410 / CYLINDER CRANKCASE 4




6CB2110-K060

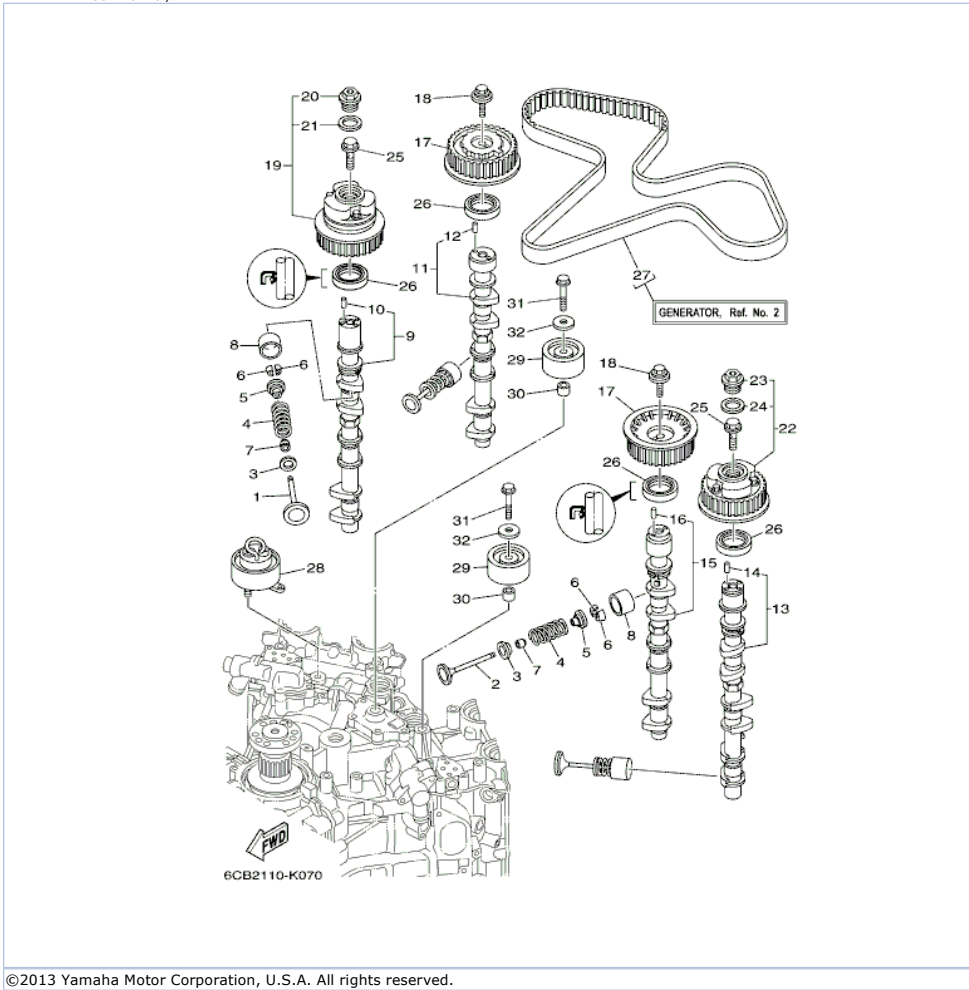
©2013 Yamaha Motor Corporation, U.S.A. All rights reserved.

Part List

VF200LA 0410 / CYLINDER CRANKCASE 4

REF - NO	PART NUMBER	PART NAME	QUANTITY	REMARKS
1	6CB-12576-00-00	HOSE 1	1	
2	90445-09082-00	HOSE (L150)	1	
3	90445-09019-00	HOSE (L990)	2	
4	90445-09065-00	HOSE (L90)	1	
5	688-24378-00-00	PIPE, JOINT 3	1	
6	90465-11M10-00	CLAMP	6	
7	90445-09100-00	HOSE (L260)	1	
8	90462-06023-00	CLAMP	1	
9	688-24378-00-00	PIPE, JOINT 3	1	
10	6CE-1244G-00-00	HOSE, 4	1	
11	6CE-24378-00-00	PIPE, JOINT 3	1	
12	6CE-1244H-00-00	HOSE 5	1	
13	6CB-1243E-00-00	HOSE 2	1	
14	90465-11M59-00	CLAMP	6	

VF200LA 0410 / VALVE



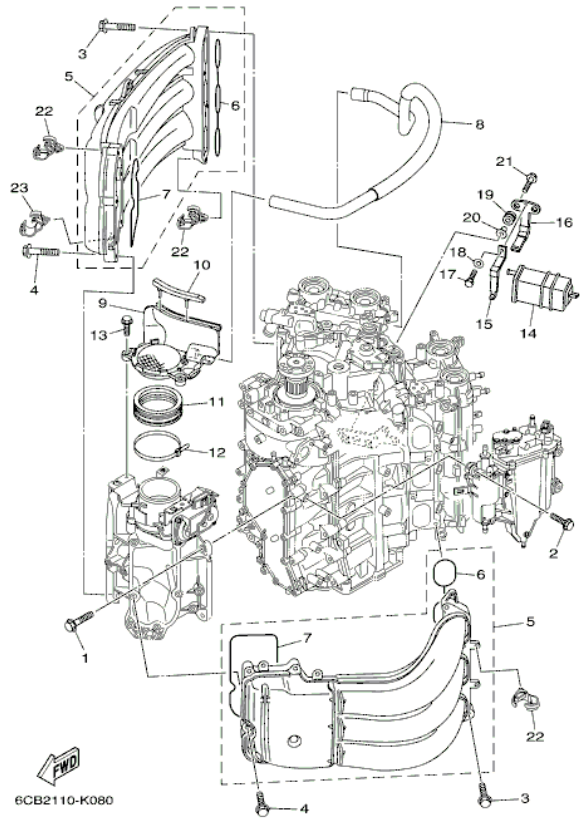
©2013 Yamaha Motor Corporation, U.S.A. All rights reserved.

Part List

VF200LA 0410 / VALVE

REF - NO	PART NUMBER	PART NAME	QUANTITY	REMARKS
1	6CB-12111-00-00	VALVE, INTAKE	12	
2	6CB-12121-00-00	VALVE, EXHAUST	12	
3	K0F-A3743-00-00	SEAT, VALVE SPRING	24	
4	6CB-12113-00-00	SPRING, VALVE INNER	24	
5	K0F-A3741-00-00	RETAINER, VALVE SPRING	24	
6	K0F-A3742-00-00	LOCK, VALVE SPRING RETAINER	48	
7	51Y-12119-00-00	SEAL, VALVE STEM	24	
8	K0F-A3751-00-00	LIFTER, VALVE (3.000)	24	UR
8	K0F-A3751-10-00	LIFTER, VALVE (3.025)	24	UR
8	K0F-A3751-20-00	LIFTER, VALVE (3.050)	24	UR
8	K0F-A3751-30-00	LIFTER, VALVE (3.075)	24	UR
8	K0F-A3751-40-00	LIFTER, VALVE (3.100)	24	UR
8	K0F-A3751-50-00	LIFTER, VALVE (3.122)	24	UR
8	K0F-A3751-60-00	LIFTER, VALVE (3.142)	24	UR
8	K0F-A3751-70-00	LIFTER, VALVE (3.162)	24	UR
8	K0F-A3751-80-00	LIFTER, VALVE (3.182)	24	UR
8	K0F-A3751-90-00	LIFTER, VALVE (3.202)	24	UR
8	K0F-A3751-A0-00	LIFTER, VALVE (3.222)	24	UR
8	K0F-A3751-B0-00	LIFTER, VALVE (3.242)	24	UR
8	K0F-A3751-C0-00	LIFTER, VALVE (3.262)	24	UR
8	K0F-A3751-D0-00	LIFTER, VALVE (3.282)	24	UR
8	K0F-A3751-E0-00	LIFTER, VALVE (3.302)	24	UR
8	K0F-A3751-F0-00	LIFTER, VALVE (3.322)	24	UR
8	K0F-A3751-G0-00	LIFTER, VALVE (3.342)	24	UR
8	K0F-A3751-H0-00	LIFTER, VALVE (3.362)	24	UR
8	K0F-A3751-J0-00	LIFTER, VALVE ((3.382)	24	UR
8	K0F-A3751-K0-00	LIFTER, VALVE (3.402)	24	UR
8	K0F-A3751-L0-00	LIFTER, VALVE (3.422)	24	UR
8	K0F-A3751-M0-00	LIFTER, VALVE (3.442)	24	UR
8	K0F-A3751-N0-00	LIFTER, VALVE (3.462)	24	UR
8	K0F-A3751-P0-00	LIFTER, VALVE (3.482)	24	UR
8	K0F-A3751-R0-00	LIFTER, VALVE (3.502)	24	UR
8	K0F-A3751-S0-00	LIFTER, VALVE (3.522)	24	UR
8	K0F-A3751-T0-00	LIFTER, VALVE (3.542)	24	UR
8	K0F-A3753-00-00	LIFTER, VALVE (3.562)	24	UR
8	K0F-A3753-10-00	LIFTER, VALVE (3.582)	24	UR
8	K0F-A3753-20-00	LIFTER, VALVE (3.602)	24	UR
8	K0F-A3753-30-00	LIFTER, VALVE (3.625)	24	UR
8	K0F-A3753-40-00	LIFTER, VALVE (3.650)	24	UR
8	K0F-A3753-50-00	LIFTER, VALVE (3.675)	24	UR
8	K0F-A3753-60-00	LIFTER, VALVE (3.700)	24	UR
8	K0F-A3753-70-00	LIFTER, VALVE (3.725)	24	UR
9	6CB-12171-00-00	CAMSHAFT 1	1	
10	93605-10108-00	.PIN, DOWEL	1	
11	6CB-12181-00-00	CAMSHAFT 2	1	
12	93605-10108-00	.PIN, DOWEL	1	
13	6CB-12172-00-00	CAMSHAFT 3	1	
14	93605-10108-00	.PIN, DOWEL	1	
15	6CB-12182-00-00	CAMSHAFT 4	1	
16	93605-10108-00	.PIN, DOWEL	1	
17	6CB-11567-00-00	GEAR, DRIVEN 2	2	
18	90119-10050-00	BOLT, WITH WASHER	2	
19	6CB-12645-00-00	PULLEY ASSY 1	1	
20	6P2-12623-00-00	.BOLT	1	
21	6P2-12663-00-00	.GASKET	1	
22	6CB-1264A-00-00	PULLEY ASSY 2	1	
23	6P2-12623-00-00	.BOLT	1	
24	6P2-12663-00-00	.GASKET	1	
25	6P2-12615-00-00	BOLT	2	
26	93102-38008-00	.OIL SEAL	4	
27	6CB-W4624-00-00	BELT (WITH ROTOR BOLTS)	1	
28	6CB-11590-00-00	TENSIONER ASSY	1	
29	6CB-15512-00-00	GEAR, IDLER 1	2	
30	90387-10M08-00	COLLAR	2	
31	90119-10M07-00	BOLT, WITH WASHER	2	
32	90201-10M01-00	WASHER, PLATE	2	

VF200LA 0410 / INTAKE 1



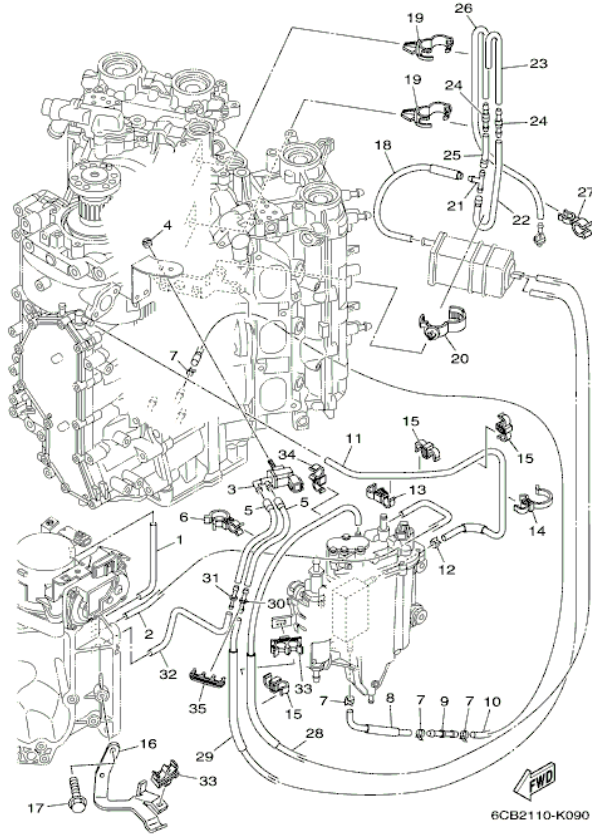
©2013 Yamaha Motor Corporation, U.S.A. All rights reserved.

Part List

VF200LA 0410 / INTAKE 1

REF - NO	PART NUMBER	PART NAME	QUANTITY	REMARKS
1	95875-08030-00	BOLT, FLANGE	4	
2	90119-06M24-00	BOLT, WITH WASHER	4	
3	90119-08020-00	BOLT, WITH WASHER	8	
4	90105-06035-00	BOLT, FLANGE	10	
5	6CB-13641-00-00	MANIFOLD, INTAKE 1	2	
6	6CB-13645-00-00	.GASKET, MANIFOLD 1	1	NOTE: 1 PER MANIFOLD
7	6CB-13646-00-00	.GASKET, MANIFOLD 2	1	NOTE: 1 PER MANIFOLD
8	6CB-15373-00-00	PIPE, BREATHER	1	
9	6CB-14440-00-00	SILENCER ASSY, INTAKE	1	
10	6CB-85547-00-00	DAMPER	1	
11	6AW-1441J-00-00	PIPE, SILENCER	1	
12	90464-99004-00	CLAMP	1	
13	95895-06020-00	BOLT, FLANGE	2	
14	69J-24170-00-00	CANISTER ASSY	1	
15	69J-2419A-01-00	HOLDER	1	
16	69J-2134X-00-00	BRACKET, CANISTER	1	
17	97095-06016-00	BOLT	1	
18	92995-06600-00	WASHER	1	
19	90480-10M23-00	GROMMET	2	
20	90387-06M60-00	COLLAR	2	
21	90119-06M17-00	BOLT, WITH WASHER	2	
22	90464-13249-00	CLAMP	8	
23	90464-20181-00	CLAMP	1	

VF200LA 0410 / INTAKE 2



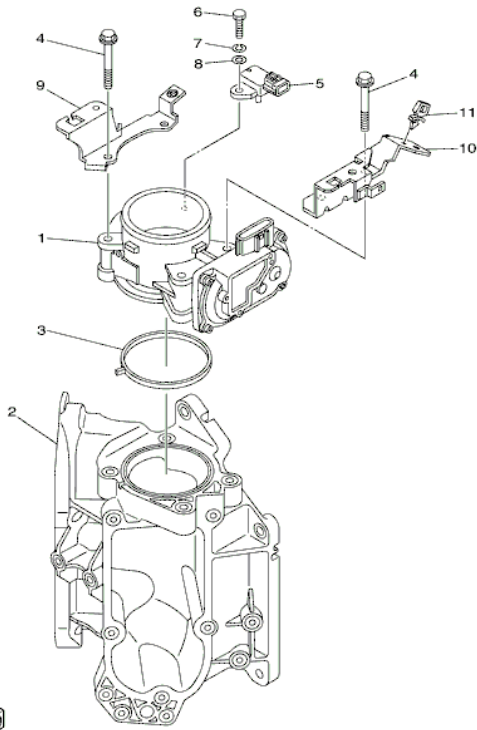
©2013 Yamaha Motor Corporation, U.S.A. All rights reserved.

Part List

VF200LA 0410 / INTAKE 2

REF - NO	PART NUMBER	PART NAME	QUANTITY	REMARKS
1	6CB-13533-00-00	HOSE, VACUUM SENSING 4	1	
2	6CB-13532-00-00	HOSE, VACUUM SENSING 3	1	
3	6C5-86120-00-00	SOLENOID VALVE ASSY	1	
4	95380-06600-00	NUT, HEXAGON	1	
5	6CB-2416A-00-00	HOSE	2	
6	90464-23001-00	CLAMP	2	
7	90465-11M10-00	CLAMP	4	
8	6CB-12482-01-00	PIPE 2	1	
9	6CB-24376-00-00	PIPE, JOINT 1	1	
10	6CB-1248A-00-00	PIPE 8	1	
11	6CB-12484-00-00	PIPE 4	1	
12	90465-11M10-00	CLAMP	1	
13	90464-12010-00	CLAMP	1	
14	90464-26002-00	CLAMP	1	
15	90464-09013-00	CLAMP	3	
16	6CB-13782-00-00	STAY	1	
17	95895-06016-00	BOLT, FLANGE	2	
18	6CB-13545-00-00	HOSE 1	1	
19	90464-20181-00	CLAMP	2	
20	90464-12183-00	CLAMP	1	
21	688-24378-00-00	PIPE, JOINT 3	1	
22	6CB-13546-00-00	HOSE 2	1	
23	6CB-13547-00-00	HOSE 3	1	
24	6E5-21744-00-00	BREATHER	2	
25	6CB-13548-00-00	HOSE, AIR 4	1	
26	6CB-12483-00-00	PIPE 3	1	
27	90464-10010-00	CLAMP	1	
28	6CB-1475A-00-00	PIPE 1	1	
29	6CB-1475F-00-00	PIPE 3	1	
30	6G8-24376-00-00	PIPE, JOINT 1	1	
31	6CB-14989-00-00	ORIFICE, AIR VENT	1	
32	6CB-1475G-00-00	PIPE 4	1	
33	90464-11012-00	CLAMP	2	
34	90464-12010-00	CLAMP	1	
35	90464-10011-00	CLAMP	1	

VF200LA 0410 / THROTTLE BODY ASSY 1



©2013 Yamaha Motor Corporation, U.S.A. All rights reserved.


Part List

VF200LA 0410 / THROTTLE BODY ASSY 1

REF - NO	PART NUMBER	PART NAME	QUANTITY	REMARKS
1	6CB-13751-00-00	BODY, THROTTLE 1	1	
2	6CB-13711-00-00	MIXING BODY	1	
3	6CB-13556-00-00	.GASKET, MANIFOLD	1	
4	95875-08060-00	BOLT, FLANGE	4	
5	6P2-82380-00-00	SENSOR, PRESSURE	1	
6	97075-06020-00	BOLT	1	
7	92995-06100-00	WASHER, SPRING	1	
8	92995-06600-00	WASHER	1	
9	6CB-13898-00-00	HOLDER	1	
10	6CB-13898-10-00	HOLDER	1	
11	90464-11121-00	CLAMP	1	

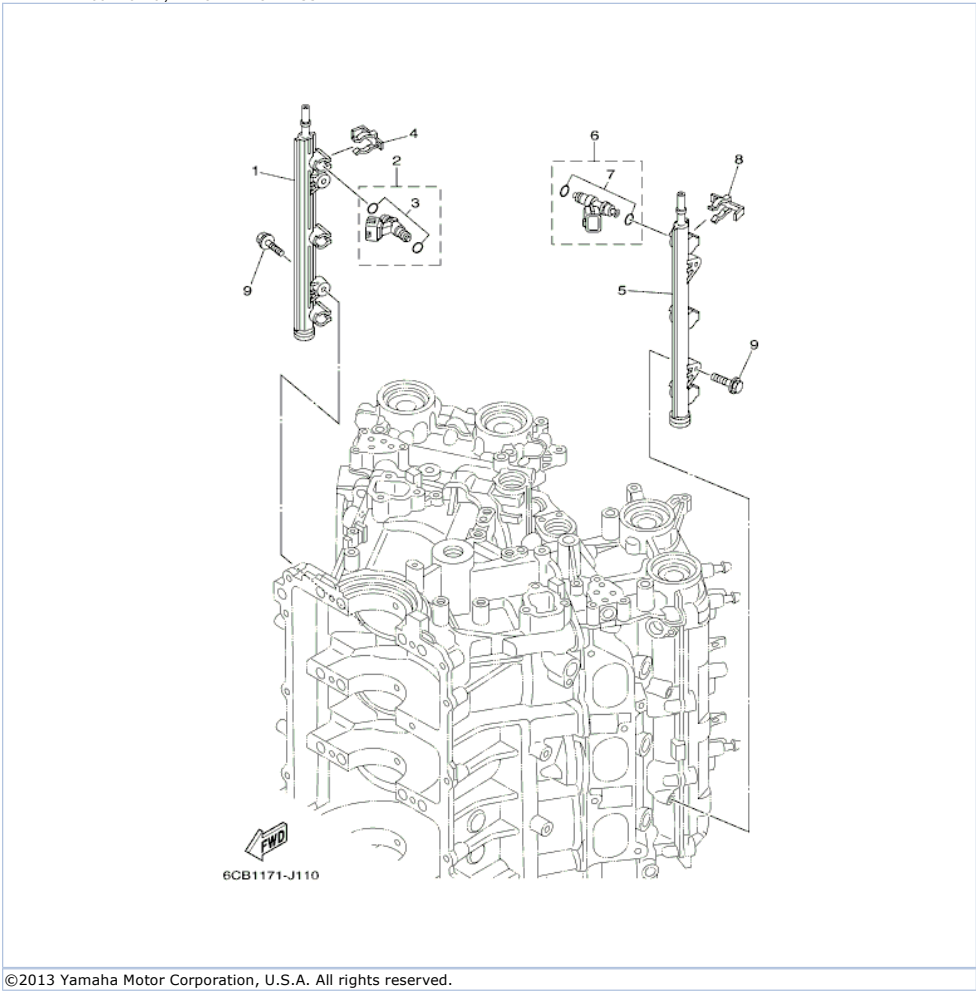
Part Notes

VF200LA 0410 / THROTTLE BODY ASSY 1

PART NUMBER	NOTE TEXT
92995-06100-00 	OEM: This part number is among the Top 100 Most Popular Marine Maintenance Parts as of August 2013.

©2013 Yamaha Motor Corporation, U.S.A. All rights reserved.

VF200LA 0410 / THROTTLE BODY ASSY 2



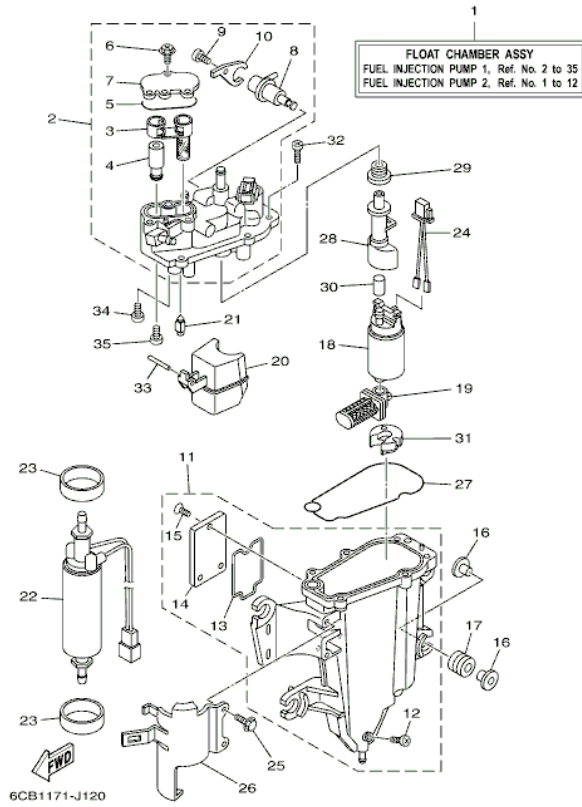
©2013 Yamaha Motor Corporation, U.S.A. All rights reserved.

Part List

VF200LA 0410 / THROTTLE BODY ASSY 2

REF - NO	PART NUMBER	PART NAME	QUANTITY	REMARKS
1	6CB-13161-00-00	PIPE, DELIVERY 1	1	
2	6AW-13761-00-00	INJECTOR	3	
3	6AW-1410B-00-00	.PACKING KIT	1	
4	6CB-13577-00-00	CLIP	3	
5	6CB-13171-00-00	PIPE, DELIVERY 2	1	
6	6AW-13761-00-00	INJECTOR	3	
7	6AW-1410B-00-00	.PACKING KIT	1	
8	6CB-13577-00-00	CLIP	3	
9	90105-06M08-00	BOLT, FLANGE	4	

VF200LA 0410 / FUEL INJECTION PUMP 1



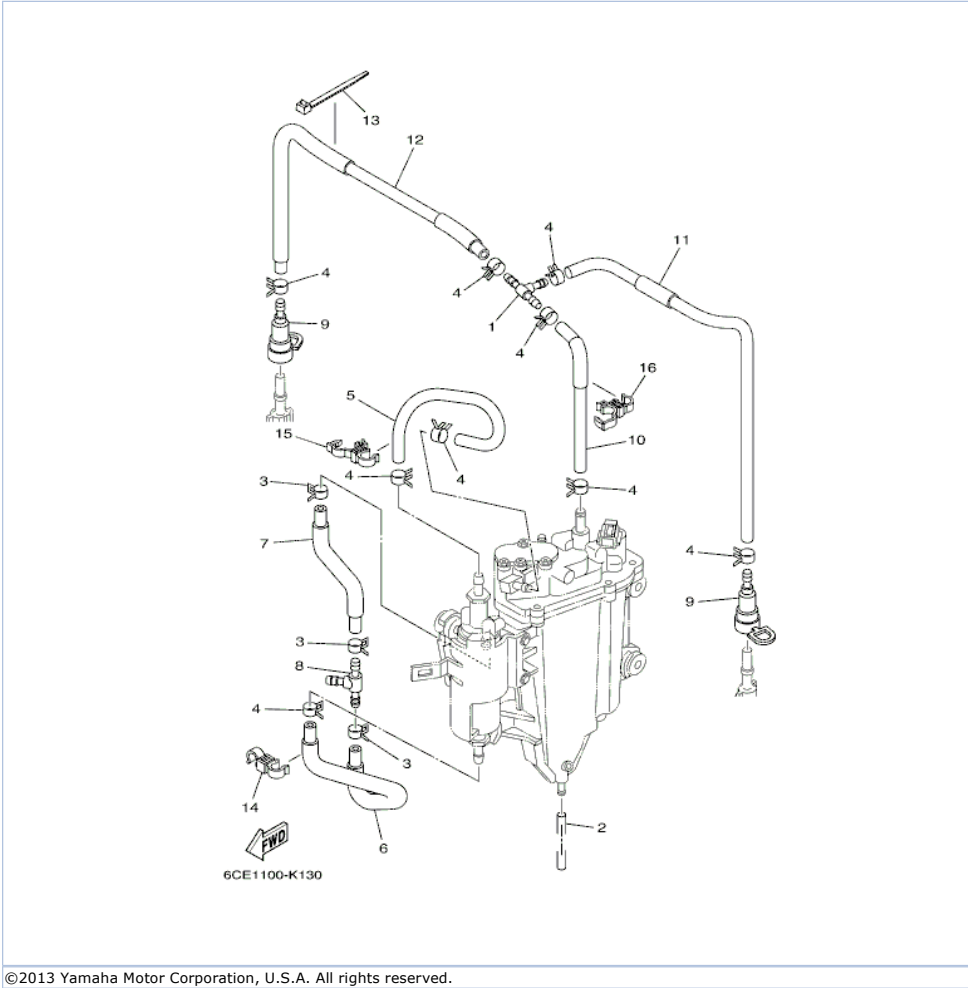
©2013 Yamaha Motor Corporation, U.S.A. All rights reserved.

Part List

VF200LA 0410 / FUEL INJECTION PUMP 1

REF - NO	PART NUMBER	PART NAME	QUANTITY	REMARKS
1	6CB-14180-01-00	FLOAT CHAMBER ASSY	1	
2	6CB-14182-00-00	COVER, FLOAT CHAMBER	1	
3	6CB-24501-00-00	.FILTER, FUEL	1	
4	6CB-24460-00-00	.RELIEF VALVE ASSY	1	
5	6CB-13016-00-00	.O-RING	1	
6	6CB-14216-00-00	.SCREW	3	
7	6CB-24217-00-00	.COVER	1	
8	6CB-13906-00-00	.REGULATOR, PRESSURE	1	
9	6CB-14564-00-00	.SCREW	1	
10	6CB-14146-00-00	.PLATE	1	
11	6CB-14181-00-00	BODY, FLOAT CHAMBER 1	1	
12	6P2-14191-00-00	.PLUG, DRAIN	1	
13	6CB-14239-00-00	.SEAL	1	
14	6CB-24452-00-00	.COVER	1	
15	6CB-14429-00-00	.SCREW	3	
16	69J-13716-00-00	.COLLAR	8	
17	6BM-13593-00-00	DAMPER	4	
18	6CB-13907-00-00	FUEL PUMP COMP.	1	
19	6CB-13915-00-00	FILTER	1	
20	6CB-14985-00-00	FLOAT	1	
21	6CB-14546-00-00	VALVE, NEEDLE	1	
22	6CB-24410-00-00	FUEL PUMP ASSY	1	
23	6CB-24492-00-00	BUSH, FUEL PUMP	2	
24	6CB-1469M-00-00	WIRE 1	1	
25	6CB-24592-00-00	BOLT	2	
26	6CB-24491-00-00	BRACKET, FUEL PUMP	1	
27	6CB-14984-00-00	GASKET, FLOAT CHAMBER	1	
28	6CB-13132-00-00	JOINT	1	
29	6CB-1447B-00-00	BUSH 1	1	
30	6CB-13781-00-00	DAMPER, PUMP	1	
31	6CB-13784-00-00	COVER, PUMP	1	
32	63P-14567-00-00	SCREW	6	
33	6P2-14386-00-00	PIN, FLOAT	1	
34	4SV-24453-00-00	SCREW	1	
35	98507-04008-00	..SCREW, PAN HEAD	1	

VF200LA 0410 / FUEL INJECTION PUMP 2



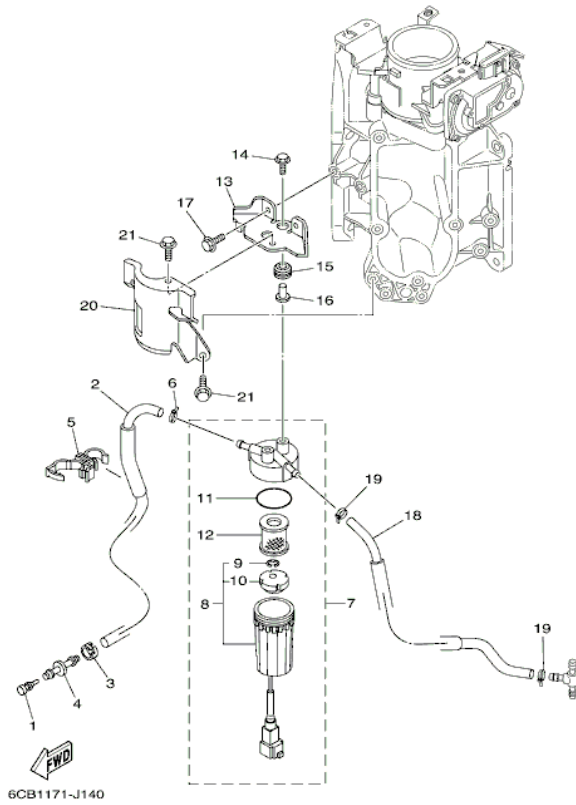
©2013 Yamaha Motor Corporation, U.S.A. All rights reserved.

Part List

VF200LA 0410 / FUEL INJECTION PUMP 2

REF - NO	PART NUMBER	PART NAME	QUANTITY	REMARKS
1	6AW-24461-00-00	PIPE, JOINT	1	
2	6P2-14149-00-00	PIPE	1	
3	69J-14137-00-00	CLIP	3	
4	68V-13577-00-00	CLIP	9	
5	6CB-24324-00-00	PIPE 13	1	
6	6CB-24317-00-00	PIPE 7	1	
7	6CB-24323-00-00	PIPE 12	1	
8	6E5-24378-00-00	PIPE, JOINT 3	1	
9	60E-24300-01-00	FUEL PIPE JOINT	2	
10	6CB-13971-01-00	PIPE, FUEL 1	1	
11	6CB-13974-00-00	PIPE, FUEL 4	1	
12	6CB-13972-00-00	PIPE, FUEL 2	1	
13	90465-14M66-00	CLAMP	1	
14	90464-12009-00	CLAMP	1	
15	90464-12012-00	CLAMP	1	
16	90464-12012-00	CLAMP	1	

VF200LA 0410 / FUEL 1




©2013 Yamaha Motor Corporation, U.S.A. All rights reserved.

Part List VF200LA 0410 / FUEL 1

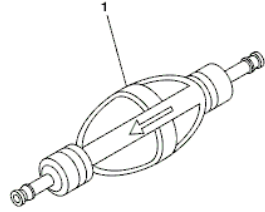
REF - NO	PART NUMBER	PART NAME	QUANTITY	REMARKS
1	689-85547-00-00	DAMPER	1	
2	6CB-24314-00-00	PIPE 4	1	
3	6E5-24351-51-00	BAND 1	1	
4	6AW-24377-00-00	PIPE, JOINT 2	1	
5	90464-12012-00	CLAMP	1	
6	90465-11M10-00	CLAMP	1	
7	6P3-24560-20-00	FILTER ASSY	1	
8	6P3-24562-20-00	.CUP, FILTER	1	
9	6P3-24519-00-00	..CLIP	1	
10	6P3-24469-00-00	..FLOAT, WATER LEVEL	1	
11	6P3-24564-00-00	.GASKET	1	
12	6P3-24563-00-00	.ELEMENT, FILTER	1	
13	6CB-24566-00-00	BRACKET, FILTER	1	
14	90119-06M17-00	BOLT, WITH WASHER	2	
15	90480-10M23-00	GROMMET	2	
16	90387-06M60-00	COLLAR	2	
17	95895-06016-00	BOLT, FLANGE	2	
18	6CB-24313-00-00	PIPE 3	1	
19	90465-11M10-00	CLAMP	2	
20	6CB-24596-01-00	COVER	1	
21	95895-06014-00	BOLT, FLANGE	2	

Part Notes VF200LA 0410 / FUEL 1

PART NUMBER	NOTE TEXT
6P3-24564-00-00 	OEM: This part number is among the Top 100 Most Popular Marine Maintenance Parts as of August 2013.

©2013 Yamaha Motor Corporation, U.S.A. All rights reserved.

VF200LA 0410 / FUEL 2



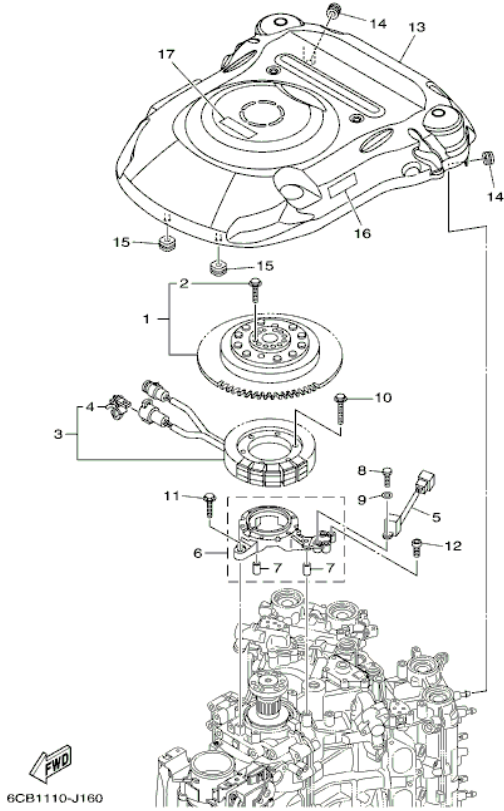
©2013 Yamaha Motor Corporation, U.S.A. All rights reserved.

Part List

VF200LA 0410 / FUEL 2

REF - NO	PART NUMBER	PART NAME	QUANTITY	REMARKS
1	6AW-24360-00-00	PRIMER PUMP ASSY	1	AP

VF200LA 0410 / GENERATOR



©2013 Yamaha Motor Corporation, U.S.A. All rights reserved.


Part List

VF200LA 0410 / GENERATOR

REF - NO	PART NUMBER	PART NAME	QUANTITY	REMARKS
1	6CB-W8145-00-00	ROTOR ASSY WITH BOLTS	1	
2	6AW-W9011-00-00	.BOLT SET (FOR ROTOR ASSY)	1	
3	6CB-81410-00-00	STATOR ASSY	1	
4	90464-12002-00	.CLAMP	1	
5	6CB-85580-00-00	COIL, PULSER	1	
6	6CB-85561-00-00	BASE, MAGNETO	1	
7	99530-08012-00	.PIN, DOWEL	2	
8	97095-05020-00	BOLT	2	
9	92995-05600-00	WASHER	2	
10	95022-06030-00	BOLT, FLANGE	6	
11	95895-06030-00	BOLT, FLANGE	4	
12	92014-05012-00	BOLT, BUTTON HEAD	1	
13	6CB-81337-00-00	COVER, FLYWHEEL	1	
14	90480-12314-00	GROMMET	2	
15	6CB-85516-00-00	SPACER	2	
16	6CB-13437-40-00	MARK, CAUTION	1	
17	6AH-81994-40-00	LABEL, SAFETY	1	

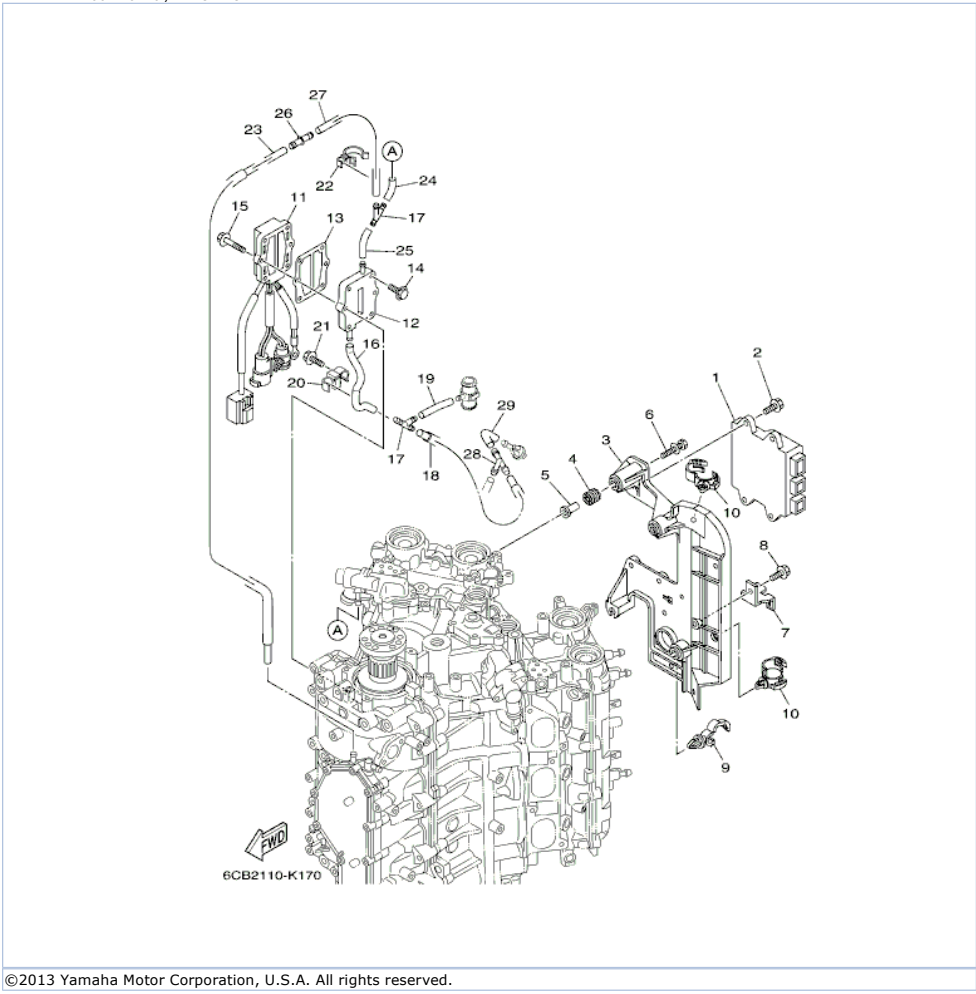
Part Notes

VF200LA 0410 / GENERATOR

PART NUMBER	NOTE TEXT
90480-12314-00 	OEM: GROMMET used on F115TLR and F/LF115TXR 0510 Production and Later

©2013 Yamaha Motor Corporation, U.S.A. All rights reserved.

VF200LA 0410 / ELECTRICAL 1



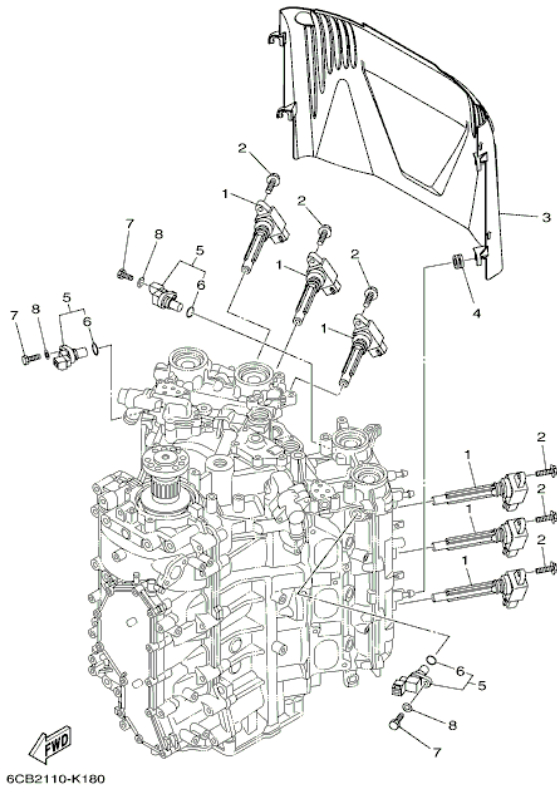
©2013 Yamaha Motor Corporation, U.S.A. All rights reserved.

Part List

VF200LA 0410 / ELECTRICAL 1

REF - NO	PART NUMBER	PART NAME	QUANTITY	REMARKS
1	6CD-8591A-00-00	ENGINE CONTROL UNIT ASSY	1	
2	95895-06020-00	BOLT, FLANGE	4	
3	6CB-82316-01-00	BRACKET, IGNITION COIL	1	
4	64J-85516-00-00	SPACER	4	
5	69M-42758-00-00	COLLAR	4	
6	90119-06M56-00	BOLT, WITH WASHER	4	
7	6BR-81845-00-00	PLATE	1	
8	95895-06012-00	BOLT, FLANGE	1	
9	90464-13249-00	CLAMP	1	
10	90464-20181-00	CLAMP	2	
11	6CB-81960-00-00	RECTIFIER & REGULATOR ASSY	1	
12	6CB-81972-00-9S	COVER, RECTIFIER	1	
13	69J-81975-A0-00	PLATE, RECTIFIER FITTING	1	
14	90119-06MA3-00	BOLT, WITH WASHER	4	
15	90119-06MA5-00	BOLT, WITH WASHER	2	
16	6CB-1248E-00-00	PIPE 9	1	
17	6CE-24377-00-00	PIPE, JOINT 2	2	
18	6CB-12485-01-00	PIPE 5	1	
19	90445-107A5-00	HOSE (L30)	1	
20	90464-12010-00	CLAMP	1	
21	90119-06M29-00	BOLT, WITH WASHER	1	
22	90464-26002-00	CLAMP	1	
23	6CE-12481-00-00	PIPE 1	1	
24	6CE-14872-00-00	PIPE 2	1	
25	6CE-14872-00-00	PIPE 2	1	
26	6CE-24376-00-00	PIPE, JOINT 1	1	
27	6CE-12484-00-00	PIPE 4	1	
28	688-24378-00-00	PIPE, JOINT 3	1	
29	6CB-12476-00-00	PIPE 6	1	

VF200LA 0410 / ELECTRICAL 2



©2013 Yamaha Motor Corporation, U.S.A. All rights reserved.


Part List

VF200LA 0410 / ELECTRICAL 2

REF - NO	PART NUMBER	PART NAME	QUANTITY	REMARKS
1	6CB-82310-00-00	IGNITION COIL ASSY	6	
2	95895-06025-00	BOLT, FLANGE	6	
3	6CB-82314-00-00	COVER, IGNITION COIL	1	
4	90480-12314-00	GROMMET	4	
5	6P2-85896-00-00	SENSOR, CAM POSITION	3	
6	6P2-85075-00-00	.O-RING	1	
7	97095-06020-00	BOLT	3	
8	92995-06600-00	WASHER	3	

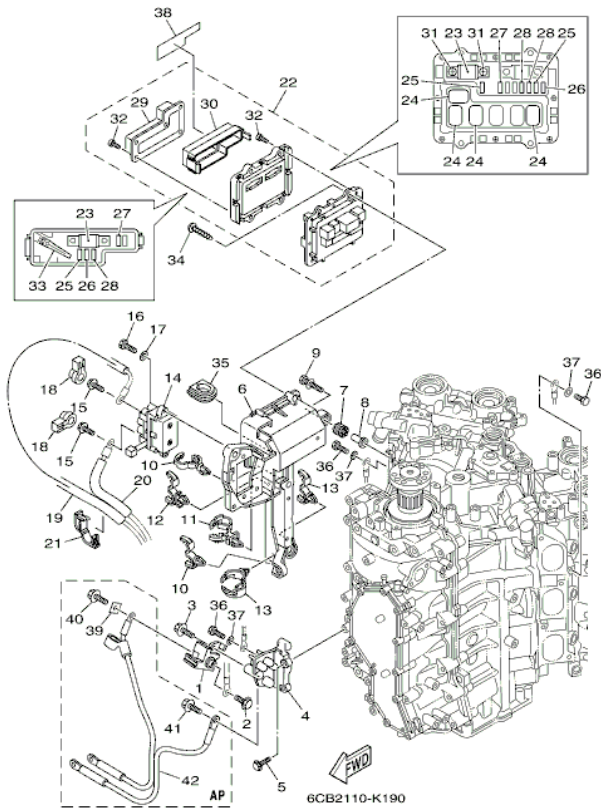
Part Notes

VF200LA 0410 / ELECTRICAL 2

PART NUMBER	NOTE TEXT
90480-12314-00 	OEM: GROMMET used on F115TLR and F/LF115TXR 0510 Production and Later

©2013 Yamaha Motor Corporation, U.S.A. All rights reserved.

VF200LA 0410 / ELECTRICAL 3



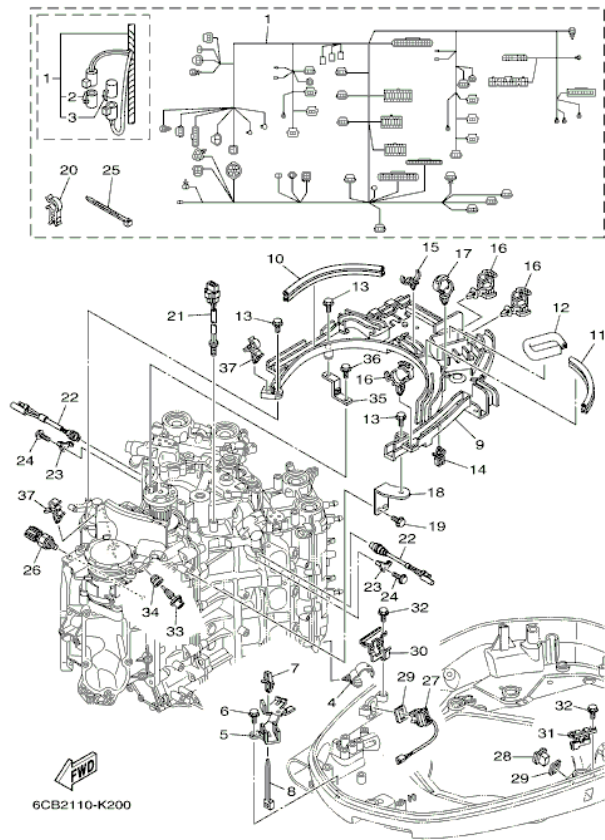
©2013 Yamaha Motor Corporation, U.S.A. All rights reserved.

Part List

VF200LA 0410 / ELECTRICAL 3

REF - NO	PART NUMBER	PART NAME	QUANTITY	REMARKS
1	6P2-81925-01-00	TERMINAL	1	
2	95895-08016-00	BOLT, FLANGE	1	
3	95814-08020-00	BOLT, FLANGE	1	
4	6CB-81929-00-00	BRACKET, TERMINAL	1	
5	95895-06020-00	BOLT, FLANGE	2	
6	6CB-81948-00-00	BRACKET	1	
7	64J-85516-00-00	SPACER	5	
8	69M-42758-00-00	COLLAR	5	
9	90119-06M56-00	BOLT, WITH WASHER	5	
10	90464-13249-00	CLAMP	2	
11	90464-12183-00	CLAMP	1	
12	90464-18246-00	.CLAMP	1	
13	90464-20181-00	CLAMP	2	
14	63P-81950-00-00	RELAY ASSY	1	
15	97595-06610-00	BOLT, WITH WASHER	2	
16	97013-06020-00	BOLT	2	
17	92903-06600-00	WASHER, PLATE	2	
18	6P2-8183X-00-00	CAP, TERMINAL	2	
19	90446-15005-00	HOSE (L200)	1	
20	90446-15M07-00	HOSE (L60)	1	
21	90464-18004-00	CLAMP	1	
22	6CB-82170-00-00	FUSE BOX ASSY	1	
23	6P2-82151-00-00	.FUSE (60A)	2	
24	68F-8195A-00-00	.RELAY ASSY	4	
25	67F-82151-40-00	.FUSE (10A)	3	
26	67F-82151-50-00	.FUSE (15A)	2	
27	67F-82151-00-00	.FUSE (20A)	2	
28	67F-82151-10-00	.FUSE (30A)	3	
29	6CB-81639-00-00	.COVER	1	
30	6CB-85544-00-00	.CASE	1	
31	68F-82846-00-00	.SCREW, PAN HEAD (M5)	2	
32	6P2-82113-00-00	.SCREW	13	
33	67F-2812A-00-00	.PULLER, FUSE	1	
34	97780-50620-00	SCREW, TAPPING	4	
35	6P2-81336-00-00	GROMMET	1	
36	97095-06016-00	BOLT	5	
37	92995-06600-00	WASHER	5	
38	6CB-81919-20-00	GRAPHIC, REGULATOR	1	
39	6CB-81923-00-00	WASHER	1	AP
40	95895-08016-00	BOLT, FLANGE	1	AP
41	95895-08016-00	BOLT, FLANGE	1	AP
42	6CB-82105-00-00	BATTERY CABLE	1	AP

VF200LA 0410 / ELECTRICAL 4



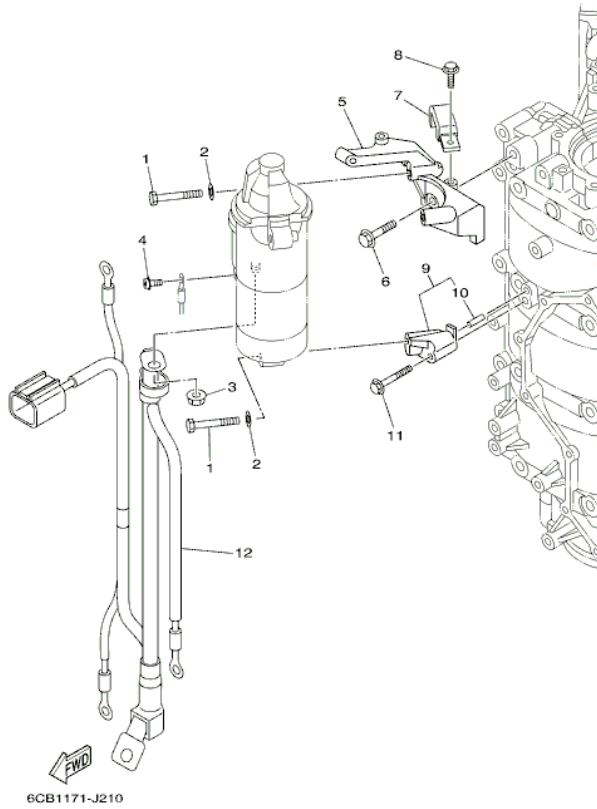
©2013 Yamaha Motor Corporation, U.S.A. All rights reserved.

Part List

VF200LA 0410 / ELECTRICAL 4

REF - NO	PART NUMBER	PART NAME	QUANTITY	REMARKS
1	6CB-82590-00-00	WIRE HARNESS ASSY	1	
2	6P2-82582-00-00	.CAP 1 (FEMALE)	1	
3	6P2-82582-10-00	.CAP 1 (MALE)	1	
4	90464-20181-00	CLAMP	4	
5	6CB-82594-00-00	CLAMP	1	
6	95895-06012-00	BOLT, FLANGE	2	
7	90464-06001-00	CLAMP	1	
8	90465-13M24-00	CLAMP	1	
9	6CB-82589-00-00	PROTECTOR, WIRE HARNESS	1	
10	6BG-42617-00-00	DAMPER, FORM	1	
11	6CB-42617-00-00	DAMPER, FORM	1	
12	6CB-42629-00-00	SEAL	1	
13	95895-06020-00	BOLT, FLANGE	5	
14	90464-11121-00	CLAMP	1	
15	90464-18246-00	.CLAMP	1	
16	90464-12183-00	CLAMP	4	
17	90464-20181-00	CLAMP	2	
18	6CB-82388-00-00	PLATE	1	
19	95895-06016-00	BOLT, FLANGE	2	
20	90464-23001-00	CLAMP	1	
21	6CB-85790-00-00	THERMOSENSOR ASSY	1	
22	6P2-82560-01-00	THERMO SWITCH ASSY	2	
23	6E9-82588-00-00	PLATE	2	
24	95895-06012-00	BOLT, FLANGE	2	
25	90465-14M66-00	CLAMP	1	
26	6AW-83651-00-00	SENDER, OIL PRESSURE	1	
27	69J-82563-00-00	TRIM & TILT SWITCH ASSY	1	
28	69J-42723-00-8D	COVER, BOTTOM	1	
29	69J-82587-00-00	GASKET	2	
30	63P-83614-01-00	BRACKET	1	
31	63P-83614-01-00	BRACKET	1	
32	95895-06012-00	BOLT, FLANGE	4	
33	63P-85886-00-00	SENSOR, AIR TEMPERATURE	1	
34	63P-14435-00-00	GROMMET	1	
35	6CB-81952-00-00	HOLDER, RELAY	1	
36	95895-06016-00	BOLT, FLANGE	1	
37	90464-09129-00	CLAMP	2	

VF200LA 0410 / ELECTRICAL 5



6CB1171-J210

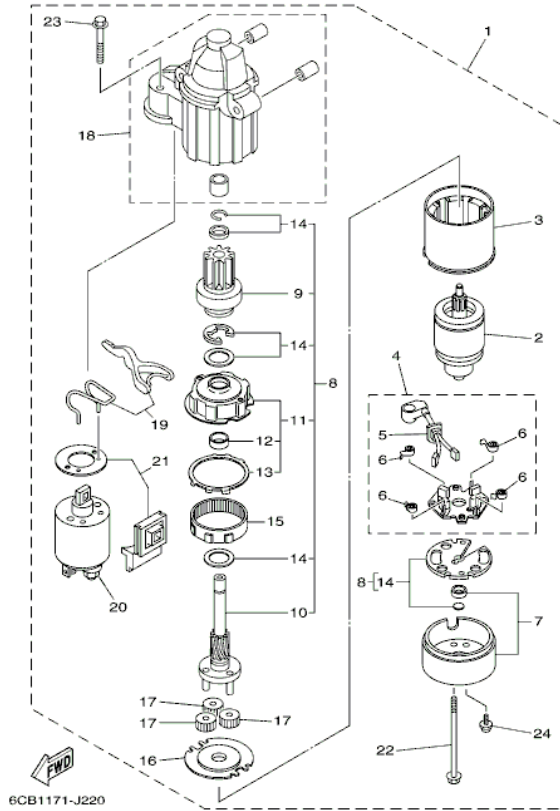
©2013 Yamaha Motor Corporation, U.S.A. All rights reserved.

Part List

VF200LA 0410 / ELECTRICAL 5

REF - NO	PART NUMBER	PART NAME	QUANTITY	REMARKS
1	97013-08045-00	BOLT	3	
2	92903-08600-00	WASHER, PLATE	3	
3	90179-08003-00	NUT	1	
4	90159-04005-00	SCREW, WITH WASHER	1	
5	6CB-81822-00-00	BRACKET, STARTING MOTOR	1	
6	90105-08M87-00	BOLT, FLANGE	2	
7	6CB-81443-00-00	CLAMP, LEAD 1	1	
8	95895-06016-00	BOLT, FLANGE	1	
9	6CB-81823-00-00	STAY, STARTING MOTOR	1	
10	93606-12019-00	.PIN, DOWEL	1	
11	90105-06151-00	BOLT, FLANGE	1	
12	6CB-8259M-00-00	WIRE HARNESS ASSY 2	1	

VF200LA 0410 / STARTING MOTOR



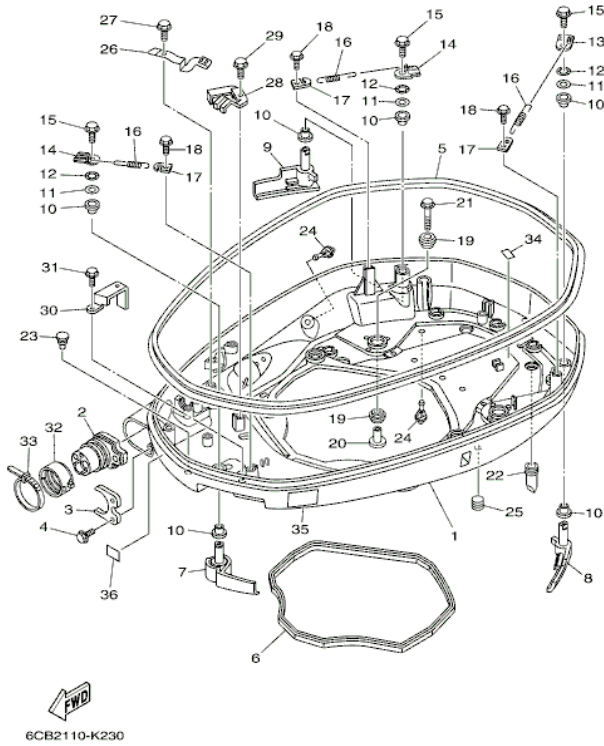
©2013 Yamaha Motor Corporation, U.S.A. All rights reserved.

Part List

VF200LA 0410 / STARTING MOTOR

REF - NO	PART NUMBER	PART NAME	QUANTITY	REMARKS
1	6CB-81800-00-00	STARTING MOTOR ASSY	1	
2	67F-81850-00-00	.ARMATURE ASSY	1	
3	67F-81810-00-00	.STATOR ASSY	1	
4	69J-81840-00-00	.BRUSH HOLDER ASSY	1	
5	69J-81801-00-00	..BRUSH SET	1	
6	67F-81813-00-00	..SPRING, BRUSH	4	
7	6CB-81820-00-00	.REAR BRACKET ASSY	1	
8	6CB-81807-00-00	.GEAR ASSY, STARTING MOTOR	1	
9	6CB-81832-00-00	..CLUTCH, OVER RUN	1	
10	6CB-81836-00-00	..SHAFT, PINION	1	
11	67F-81821-00-00	..BRACKET, CENTER 1	1	
12	67F-81841-00-00	...BEARING	1	
13	67F-8183R-00-00	...GASKET	1	
14	6CB-81809-00-00	..WASHER KIT	1	
15	67F-81891-00-00	.GEAR, RING	1	
16	67F-81830-00-00	.BRACKET, CENTER 2	1	
17	60V-8183T-00-00	.GEAR, IDLER	3	
18	6CB-81842-00-00	.COVER	1	
19	6C5-81839-00-00	.LEVER ASSY	1	
20	6C5-81941-00-00	.STARTER RELAY ASSY	1	
21	6C5-81869-00-00	.COVER, DUST	1	
22	6CB-81826-00-00	.BOLT	2	
23	69J-81828-00-00	.SCREW 2	2	
24	67F-81846-00-00	.SCREW	2	

VF200LA 0410 / BOTTOM COWLING 1



6CB2110-K230

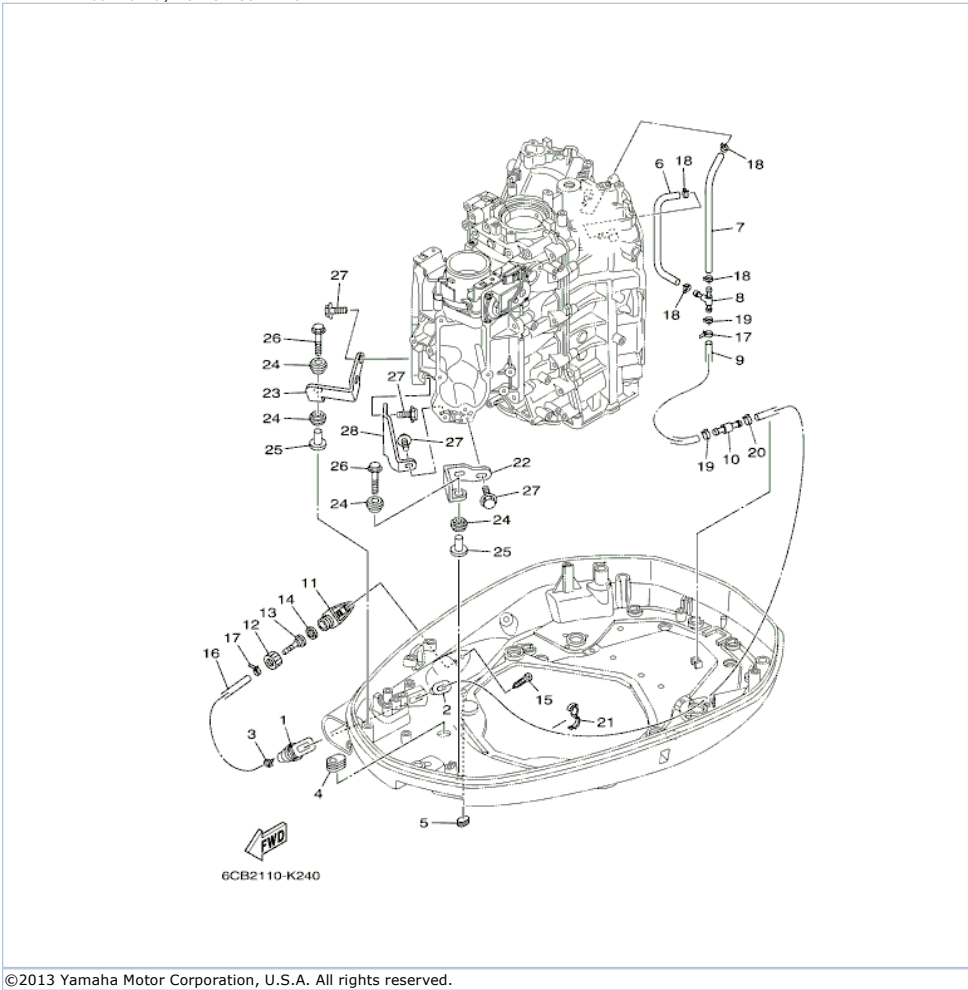
©2013 Yamaha Motor Corporation, U.S.A. All rights reserved.

Part List

VF200LA 0410 / BOTTOM COWLING 1

REF - NO	PART NUMBER	PART NAME	QUANTITY	REMARKS
1	6CB-42711-01-8D	COWLING, BOTTOM 1	1	
2	6CB-42725-00-00	GROMMET	1	
3	6CB-42761-00-00	STOPPER	1	
4	95895-06014-00	BOLT, FLANGE	2	
5	6CB-42615-00-00	SEAL	1	
6	6CB-42716-00-00	RUBBER, SEAL 1	1	
7	6CB-42815-01-8D	LEVER, CLAMP	1	
8	6CB-42816-01-8D	LEVER, CLAMP	1	
9	6CB-42817-01-8D	LEVER, CLAMP	1	
10	90386-15M73-00	BUSH	6	
11	90201-156J2-00	WASHER, PLATE	3	
12	90206-15M18-00	WASHER, WAVE	3	
13	6CB-42818-00-00	LEVER, CLAMP	1	
14	6CB-42819-00-00	LEVER, CLAMP	2	
15	95880-08012-00	BOLT, FLANGE	3	
16	90506-22001-00	SPRING, TENSION	3	
17	66T-43144-00-00	HOOK, SPRING	3	
18	95895-06012-00	BOLT, FLANGE	3	
19	90480-22M81-00	GROMMET	12	
20	90387-08M37-00	COLLAR	6	
21	90119-08M22-00	BOLT, WITH WASHER	6	
22	6D0-42717-00-00	RUBBER, SEAL 2	4	
23	6H4-42748-00-00	GROMMET	1	
24	6P2-44391-00-00	NIPPLE, HOSE	2	
25	90338-11007-00	PLUG	2	
26	6CB-42743-00-00	BRACKET	1	
27	95895-06012-00	BOLT, FLANGE	1	
28	6CB-42766-00-00	BRACKET 2	1	
29	95895-06012-00	BOLT, FLANGE	1	
30	6CB-42756-00-00	STAY, CLAMP	1	
31	95895-06012-00	BOLT, FLANGE	1	
32	68F-42753-00-00	FASTNER	1	AP
33	90464-20258-00	CLAMP	1	AP
34	68V-82377-00-00	LABEL	1	
35	6AH-42794-40-00	LABEL, WARNING (GENERAL)	1	
36	6AH-81996-00-00	MARK	1	

VF200LA 0410 / BOTTOM COWLING 2



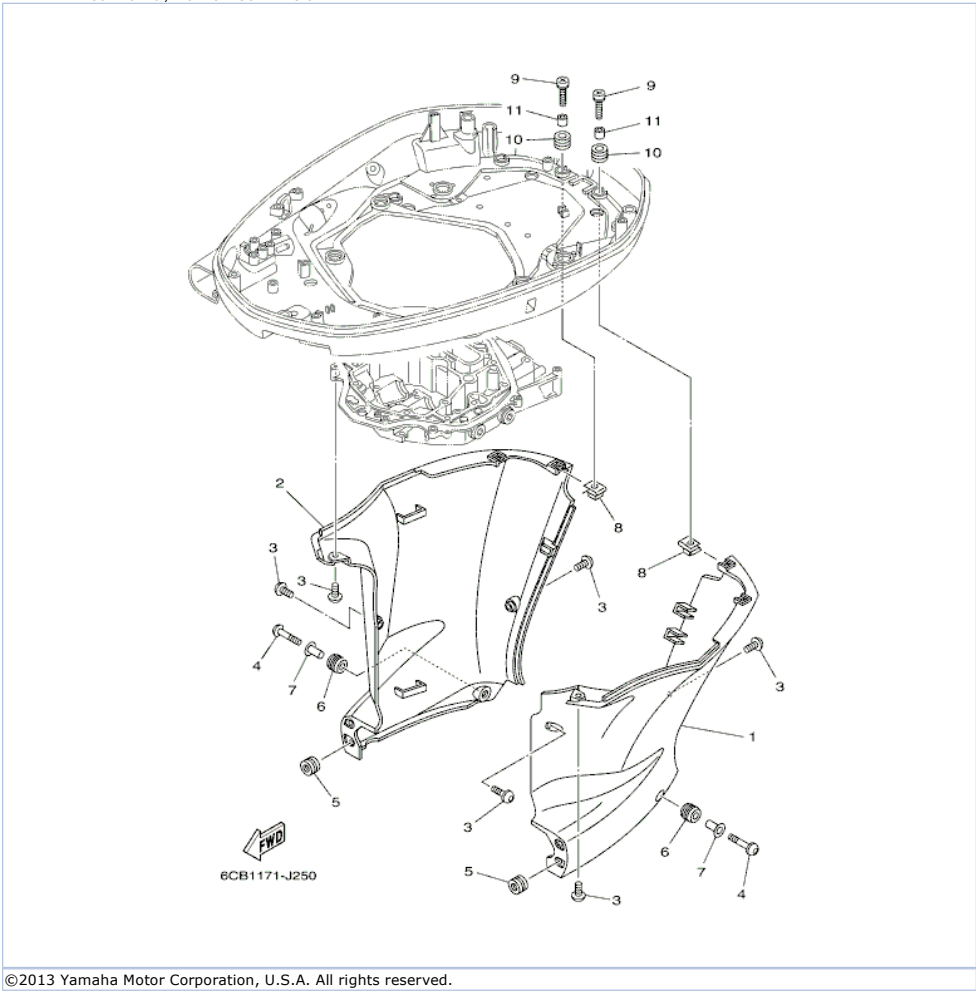
©2013 Yamaha Motor Corporation, U.S.A. All rights reserved.

Part List

VF200LA 0410 / BOTTOM COWLING 2

REF - NO	PART NUMBER	PART NAME	QUANTITY	REMARKS
1	6BG-42724-00-00	GROMMET	2	
2	6BG-42384-00-00	SEAL, CAP	2	
3	90465-11M10-00	CLAMP	2	
4	61A-42727-00-00	GROMMET	1	
5	64G-42727-00-00	GROMMET	1	
6	6CB-24315-00-00	PIPE 5	1	
7	90445-14021-00	HOSE (L185)	1	
8	6AW-42169-00-00	JOINT	1	
9	90445-16015-00	HOSE (L300)	1	
10	6AW-42785-00-00	PIPE	1	
11	6AW-12572-00-00	ADAPTER	1	
12	6R3-12581-00-00	JOINT, HOSE 1	1	
13	6AW-12582-00-00	JOINT, HOSE 2	1	
14	6R3-12583-00-00	GASKET, HOSE JOINT	1	
15	97780-60520-00	SCREW, TAPPING	2	
16	90445-14019-00	HOSE (L1460)	1	
17	90465-11M10-00	CLAMP	2	
18	90467-130A5-00	CLIP	4	
19	90467-140A8-00	CLIP	2	
20	90467-140A9-00	CLIP	1	
21	90464-16001-00	CLAMP	2	
22	6CB-42643-00-00	PLATE, CLAMP	1	
23	6CB-42644-00-00	PLATE, CLAMP 2	1	
24	90480-14029-00	GROMMET	4	
25	90387-06M03-00	COLLAR	2	
26	90119-06M61-00	BOLT, WITH WASHER	2	
27	90105-06039-00	BOLT, FLANGE	6	
28	6CB-42744-00-00	STAY	1	

VF200LA 0410 / BOTTOM COWLING 3

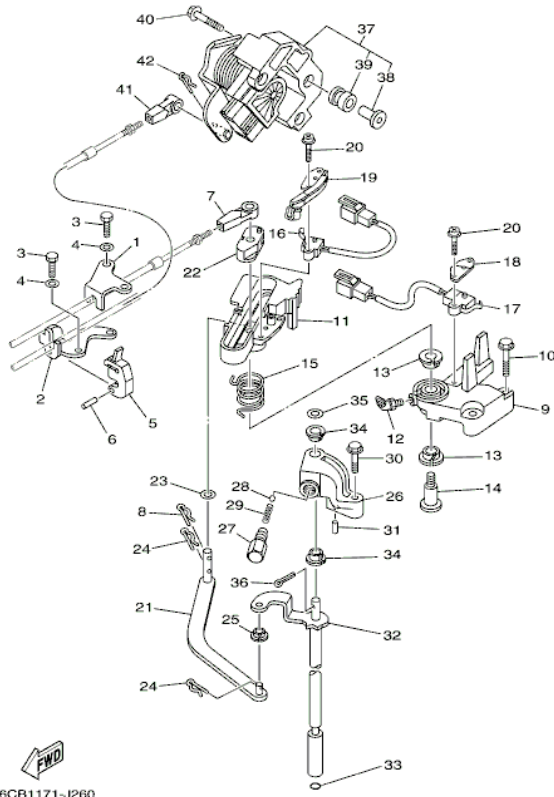


Part List

VF200LA 0410 / BOTTOM COWLING 3

REF - NO	PART NUMBER	PART NAME	QUANTITY	REMARKS
1	6CB-42741-00-8D	APRON	1	
2	6CB-42771-00-8D	APRON	1	
3	90111-06111-00	BOLT,HEX. SOCKET BUTTON	6	
4	90111-06113-00	BOLT,HEX. SOCKET BUTTON	2	
5	90480-11012-00	GROMMET	4	
6	90480-16009-00	GROMMET	2	
7	90387-07028-00	COLLAR	2	
8	90183-061A6-00	NUT, SPRING	4	
9	90159-06053-00	SCREW, WITH WASHER	4	
10	90480-13M24-00	GROMMET	4	
11	90387-06M43-00	COLLAR	4	

VF200LA 0410 / CONTROL



6CB1171-J260

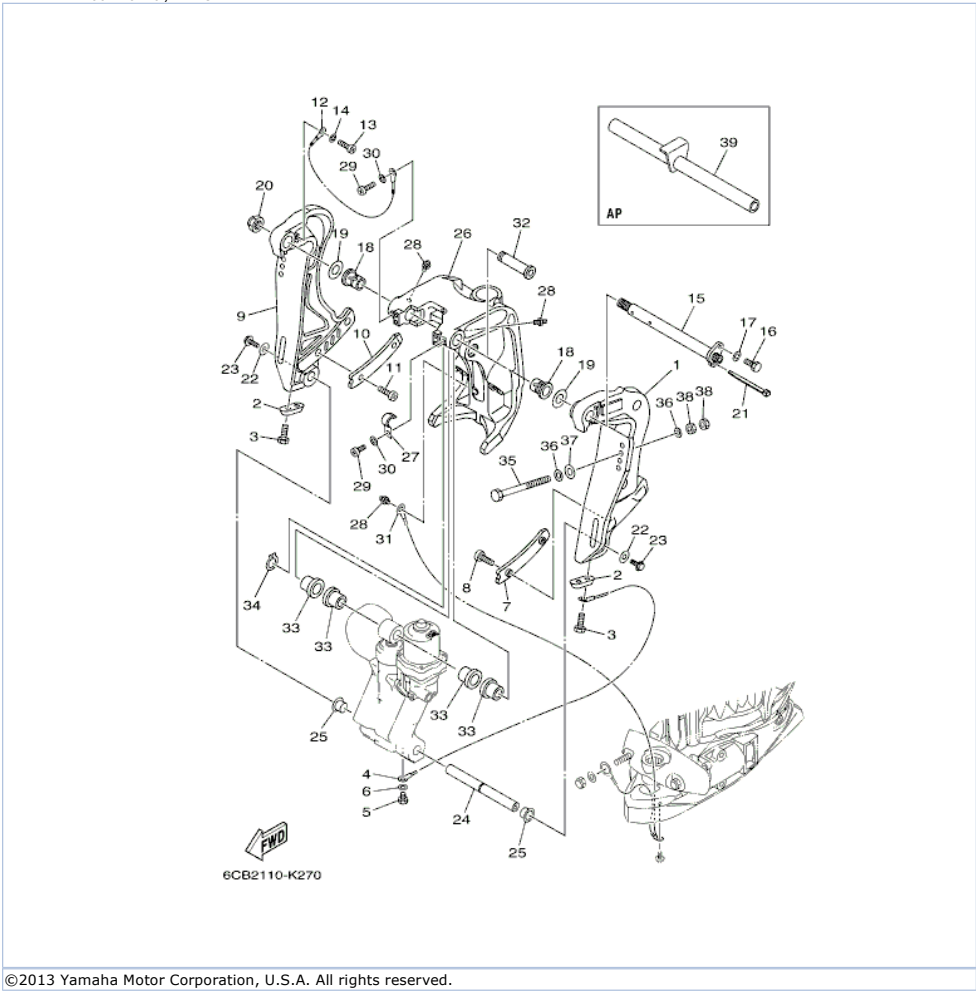
©2013 Yamaha Motor Corporation, U.S.A. All rights reserved.

Part List

VF200LA 0410 / CONTROL

REF - NO	PART NUMBER	PART NAME	QUANTITY	REMARKS
1	6CB-48531-00-00	BRACKET, REMOTE CONTROL 1	1	
2	6CB-48532-00-00	BRACKET, REMOTE CONTROL 2	1	
3	97095-06016-00	BOLT	4	
4	92995-06600-00	WASHER	4	
5	6E5-48538-00-00	CLAMP, CABLE	1	
6	91690-30010-00	PIN, SPRING	1	
7	6E5-48344-00-00	CABLE END, REMOTE CONTROL	1	
8	90468-18008-00	CLIP	1	
9	6CB-44117-00-00	BRACKET	1	
10	95895-06035-00	BOLT, FLANGE	2	
11	69J-44176-01-00	BRACKET	1	
12	93700-06M01-00	NIPPLE, GREASE	1	
13	90386-12069-00	BUSH	2	
14	90109-08019-00	BOLT	1	
15	90508-20052-00	SPRING, TORSION	1	
16	60V-8259F-00-00	SWITCH ASSY	1	
17	69J-8259F-00-00	SWITCH ASSY	1	
18	61A-82588-01-00	PLATE	1	
19	6CB-82588-00-00	PLATE	1	
20	97985-04116-00	SCREW, WITH WASHER	4	
21	6CB-44121-00-00	LEVER, SHIFT ROD	1	
22	69J-44122-00-00	BUSHING, SHIFT ROD LEVER	1	
23	90202-08M20-00	WASHER, PLATE	1	
24	90468-18008-00	CLIP	2	
25	90386-06M12-00	BUSH	1	
26	69J-44118-00-00	BRACKET	1	
27	648-42715-00-00	BUSHING	1	
28	93501-04M02-00	BALL	1	
29	90501-12082-00	SPRING, COMPRESSION	1	
30	97575-06535-00	BOLT, WITH WASHER	1	
31	91690-30010-00	PIN, SPRING	1	
32	6CB-44120-00-00	HANDLE GEAR SHIFT ASSY	1	
33	93210-09165-00	O-RING	1	
34	90386-90M90-00	BUSH	2	
35	90201-09M02-00	WASHER, PLATE	1	
36	91490-20015-00	PIN. COTTER	1	
37	6CB-8A410-00-00	SENSOR UNIT	1	
38	6P2-44139-00-00	.COLLAR	3	
39	6P2-41273-00-00	.GROMMET	3	
40	90119-06126-00	BOLT, WITH WASHER	3	
41	6E5-48344-00-00	CABLE END, REMOTE CONTROL	1	
42	90468-18008-00	CLIP	1	

VF200LA 0410 / BRACKET 1



©2013 Yamaha Motor Corporation, U.S.A. All rights reserved.



Part List

VF200LA 0410 / BRACKET 1

REF - NO	PART NUMBER	PART NAME	QUANTITY	REMARKS
1	6CB-43111-00-8D	BRACKET, CLAMP 1	1	
2	65W-45251-00-00	ANODE	2	
3	90101-06020-00	BOLT	4	
4	6E5-82148-00-00	WIRE, LEAD 4	1	
5	97095-06010-00	BOLT	1	
6	92995-06600-00	WASHER	1	
7	61A-43132-00-00	WASHER, FRICTION	1	
8	97885-06010-00	SCREW, PAN HEAD	2	
9	6CB-43112-00-8D	BRACKET, CLAMP 2	1	
10	61A-43133-00-00	WASHER,FRICTION	1	
11	97885-06010-00	SCREW, PAN HEAD	2	
12	6E5-82148-00-00	WIRE, LEAD 4	1	
13	97885-06012-00	SCREW, PAN HEAD	1	
14	92995-06600-00	WASHER	1	
15	6CB-43131-00-00	BOLT, CLAMP BRACKET	1	
16	97095-08020-00	BOLT	1	
17	92995-08100-00	WASHER	1	
18	90386-25M31-00	BUSH	2	
19	90201-26M59-00	WASHER, PLATE	2	
20	90185-22M11-00	NUT, SELF-LOCKING	1	
21	90465-11M10-00	CLAMP	1	
22	90201-10060-00	WASHER, PLATE	2	
23	90119-10054-00	BOLT, WITH WASHER	2	
24	6CB-43818-00-00	PIN, LOWER SHOCK MOUNT	1	
25	90386-22M98-00	BUSH	2	
26	6CB-43311-00-8D	BRACKET, SWIVEL 1	1	
27	90465-08M63-00	CLAMP	1	
28	93700-06M03-00	NIPPLE, GREASE	3	
29	98504-06010-00	SCREW, PAN HEAD	2	
30	92903-06600-00	WASHER, PLATE	2	
31	66K-82149-00-00	WIRE, LEAD 3	1	
32	6CB-43126-00-00	PIN, UPPER SHOCK MOUNT	1	
33	90386-22M98-00	BUSH	4	
34	93410-22M11-00	CIRCLIP	1	
35	90101-12M05-00	BOLT (L:130MM)	4	
36	90201-13M01-00	WASHER, PLATE	8	
37	90201-12M05-00	WASHER, PLATE	4	
38	95380-12600-00	NUT	8	
39	6CB-43611-00-00	SHAFT, TILT LOCK	1	AP

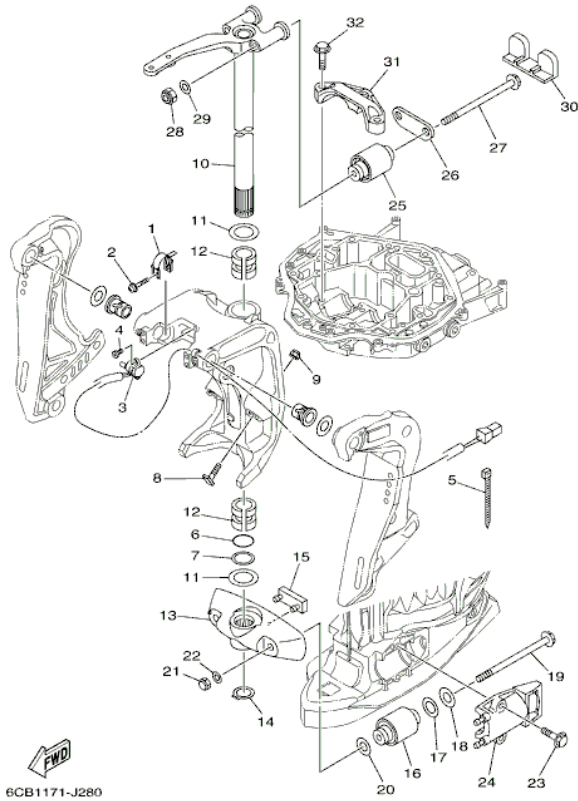
Part Notes

VF200LA 0410 / BRACKET 1

PART NUMBER	NOTE TEXT
65W-45251-00-00 	OEM: This part number is among the Top 100 Most Popular Marine Maintenance Parts as of August 2013.
93700-06M03-00 	OEM: This part number is among the Top 100 Most Popular Marine Maintenance Parts as of August 2013.

©2013 Yamaha Motor Corporation, U.S.A. All rights reserved.

VF200LA 0410 / BRACKET 2



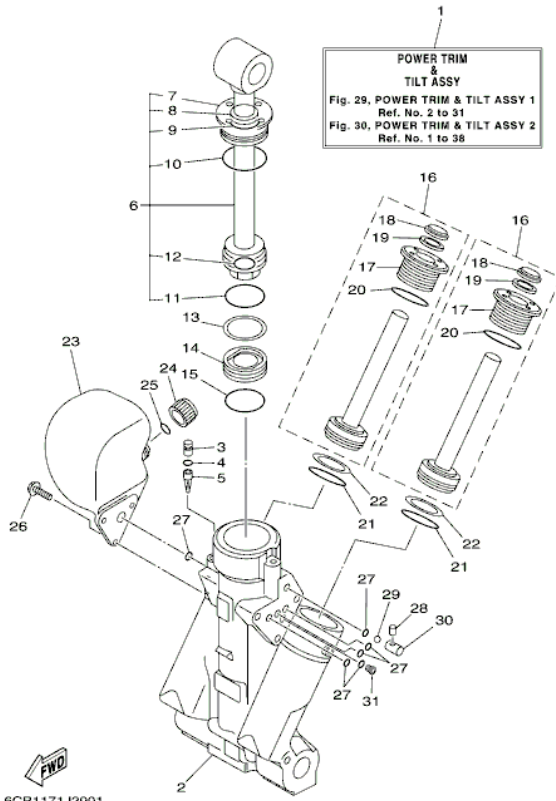
©2013 Yamaha Motor Corporation, U.S.A. All rights reserved.

Part List

VF200LA 0410 / BRACKET 2

REF - NO	PART NUMBER	PART NAME	QUANTITY	REMARKS
1	64E-43139-10-00	CAM, TRIM SENDER	1	
2	90159-05059-00	SCREW, WITH WASHER	1	
3	67H-83672-01-00	TRIM SENDER	1	
4	97885-06016-00	SCREW, PAN HEAD	2	
5	90465-11M10-00	CLAMP	3	
6	93210-37MH7-00	O-RING	1	
7	90202-40M47-00	WASHER, PLATE	1	
8	64E-43376-00-00	BOLT, THRUST RECEIVER	2	
9	95780-10300-00	NUT, FLANGE	2	
10	6CB-42510-00-8D	STEERING BRACKET ASSY	1	
11	90201-38M60-00	WASHER, PLATE	2	
12	90386-38M32-00	BUSH	2	
13	6CB-44551-00-8D	HOUSING, LOWER MOUNT RUBBER 1	1	
14	93410-37M04-00	CIRCLIP	1	
15	6E5-44575-00-00	DAMPER, LOWER MOUNT RUBBER	1	
16	60X-44555-00-00	MOUNT DAMPER, LOWER SIDE	2	
17	90202-32M19-00	WASHER, PLATE	2	
18	90201-16M55-00	WASHER, PLATE	2	
19	90105-14007-00	BOLT, FLANGE	2	
20	90201-15M58-00	WASHER, PLATE	2	
21	95380-14800-00	NUT	2	
22	92995-14600-00	WASHER	2	
23	90119-10024-00	BOLT, WITH WASHER	4	
24	61A-44552-01-CA	HOUSING, LOWER MOUNT RUBBER 2	2	
25	6CB-44514-00-00	MOUNT DAMPER, UPPER SIDE	2	
26	6CB-44526-00-00	PLATE	1	
27	90105-14007-00	BOLT, FLANGE	2	
28	90185-14M00-00	NUT, SELF-LOCKING	2	
29	92995-14600-00	WASHER	2	
30	6CB-44533-00-00	DAMPER, UPPER MOUNT RUBBER	1	
31	6CB-44511-00-00	COVER, UPPER MOUNT	1	
32	90119-10024-00	BOLT, WITH WASHER	3	

VF200LA 0410 / POWER TRIM TILT ASSY 1



©2013 Yamaha Motor Corporation, U.S.A. All rights reserved.





Part List

VF200LA 0410 / POWER TRIM TILT ASSY 1

REF - NO	PART NUMBER	PART NAME	QUANTITY	REMARKS
1	6CB-43800-00-00	POWER TRIM & TILT ASSY	1	
2	64E-43825-03-00	HOUSING, TRIM & TILT	1	
3	6AW-4388J-00-00	PLUG 2	1	
4	93210-10M74-00	O-RING	1	
5	64E-43817-00-00	FILTER 2	1	
6	63P-43810-02-00	TILT PISTON SUB ASSY	1	
7	64E-43811-02-00	.SCREW, CYLINDER END	1	
8	64E-43898-00-00	.SEAL, DUST 2	1	
9	64E-43867-00-00	.O-RING	1	
10	64E-43866-00-00	.O-RING	1	
11	6E5-43862-00-00	.O-RING	1	
12	64E-43883-00-00	.O-RING	1	
13	6E5-43872-00-00	RING, BACK UP	1	
14	6E5-43814-02-00	PISTON, FREE	1	
15	6E5-43862-00-00	O-RING	1	
16	6CB-43820-00-00	TRIM PISTON SUB ASSY	2	
17	64E-43821-02-00	.SCREW, TRIM CYLINDER END	1	
18	64E-43822-00-00	.SEAL, TRIM DUST	1	
19	64E-4384J-00-00	.SEAL, TRIM DOWN	1	
20	6G5-43864-00-00	.O-RING	1	
21	6E5-43864-00-00	O-RING	2	
22	6E5-43874-01-00	RING, BACK UP	2	
23	64E-43828-01-00	BODY, RESERVOIR	1	
24	64E-43829-01-00	PLUG, RESERVOIR	1	
25	64E-43897-00-00	O-RING	1	
26	64E-4388E-01-00	BOLT ,SCREW (L:14MM)	3	
27	64E-43869-00-00	O-RING	6	
28	64E-4381G-00-00	PIN	1	
29	6E5-43858-00-00	BALL	1	
30	64E-4382G-00-00	VALVE, SEAT	1	
31	64E-4384N-00-00	PLUG, ORIFICE	1	

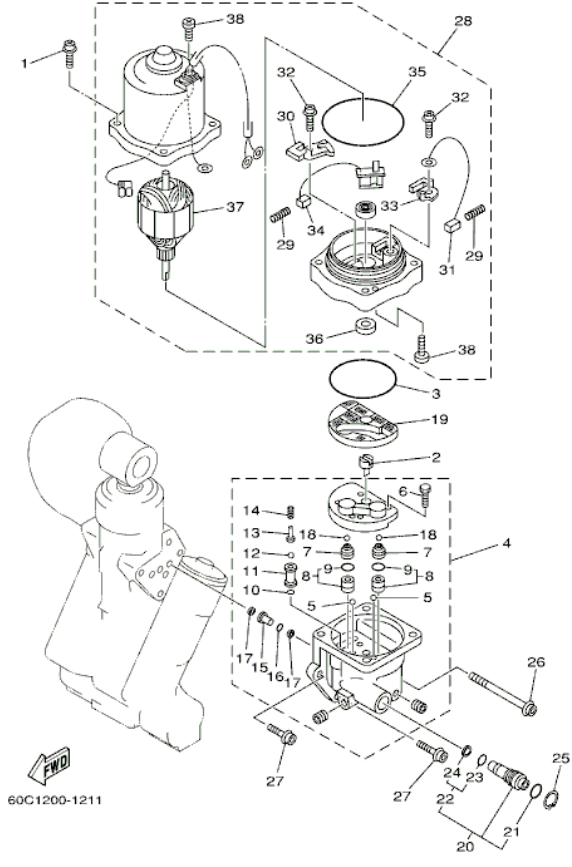
Part Notes

VF200LA 0410 / POWER TRIM TILT ASSY 1

PART NUMBER		NOTE TEXT
64E-43822-00-00		OEM: This part number is among the Top 100 Most Popular Marine Maintenance Parts as of August 2013.
64E-4384J-00-00		OEM: This part number is among the Top 100 Most Popular Marine Maintenance Parts as of August 2013.
6G5-43864-00-00		OEM: This part number is among the Top 100 Most Popular Marine Maintenance Parts as of August 2013.
64E-43869-00-00		OEM: This part number is among the Top 100 Most Popular Marine Maintenance Parts as of August 2013.

©2013 Yamaha Motor Corporation, U.S.A. All rights reserved.

VF200LA 0410 / POWER TRIM TILT ASSY 2



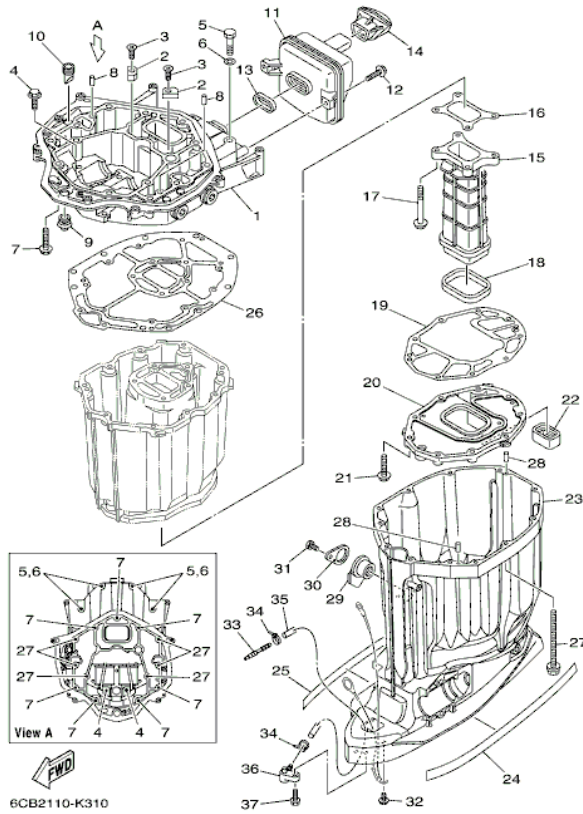
60C1200-1211

Part List

VF200LA 0410 / POWER TRIM TILT ASSY 2

REF - NO	PART NUMBER	PART NAME	QUANTITY	REMARKS
1	64E-4388E-11-00	BOLT ,SCREW (L:34.7MM)	4	
2	64E-43831-00-00	CONNECTOR, SHAFT	1	
3	64E-43868-00-00	O-RING	1	
4	64E-43830-01-00	GEAR PUMP ASSY	1	
5	72X-43858-00-00	.BALL	2	
6	64E-43843-00-00	.SCREW, VALVE LOCK	4	
7	6AW-43841-00-00	.PISTON, SHUTTLE	2	
8	64E-43802-00-00	.VALVE SUB ASSY	2	
9	6E5-43896-00-00	..O-RING	1	
10	6G5-43863-00-00	.O-RING	1	
11	64E-43851-00-00	.SEAT, RELIEF VALVE	1	
12	64E-43858-00-00	.BALL	1	
13	64E-43859-00-00	.PIN, VALVE SUPPORT	1	
14	64E-43855-00-00	.SPRING, UP RELIEF	1	
15	64E-43850-00-00	.VALVE SUB ASSY	1	
16	64E-43865-00-00	.O-RING	1	
17	64E-43816-00-00	.FILTER 1	2	
18	6AW-43858-00-00	.BALL	2	
19	64E-43817-11-00	FILTER 2	1	
20	64E-43860-01-00	MANUAL VALVE SUB-ASSY	1	
21	72X-85075-L0-00	.O-RING	1	
22	64E-43827-00-00	.RING SET	1	
23	64E-4387A-00-00	..O-RING	1	
24	64E-43873-00-00	..RING, BACK UP	1	
25	6AW-43875-00-00	RING, SNAP	1	
26	64E-43879-11-00	SCREW, WITH WASHER	1	
27	64E-43879-01-00	SCREW, WITH WASHER	2	
28	67H-43880-03-00	MOTOR ASSY	1	
29	6H1-4386K-10-00	.SPRING, BRUSH	2	
30	64E-4380J-00-00	.HOLDER, BRUSH	1	
31	64E-43891-00-00	.BRUSH 1	1	
32	97607-04310-00	.SCREW,WITH WASHER	2	
33	64E-4380F-00-00	.HOLDER, BRUSH 2	1	
34	64E-43892-00-00	.BREAKER COMP (BRUSH 2)	1	
35	6G5-43865-00-00	.O-RING	1	
36	93102-08M43-00	.OIL SEAL	1	
37	64E-43805-00-00	.ARMATURE ASSY	1	
38	64E-43843-10-00	.SCREW, VALVE LOCK	3	

VF200LA 0410 / UPPER CASING



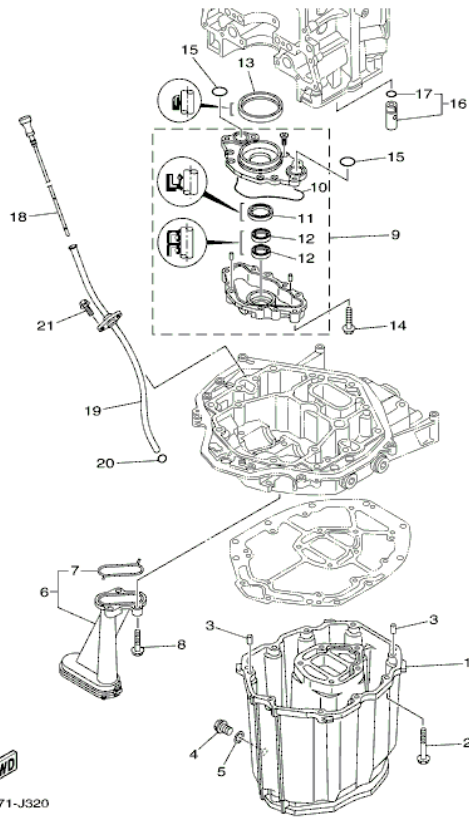
6CB2110-K310

Part List

VF200LA 0410 / UPPER CASING

REF - NO	PART NUMBER	PART NAME	QUANTITY	REMARKS
1	6CB-41137-00-CA	GUIDE, EXHAUST	1	
2	63P-11325-11-00	ANODE	2	
3	90151-06M02-00	SCREW, COUNTERSUNK	2	
4	90119-08102-00	BOLT, WITH WASHER	2	
5	97075-10045-00	BOLT	4	
6	92995-10600-00	WASHER	4	
7	97575-10535-00	BOLT, WITH WASHER	7	
8	93608-16M16-00	PIN, DOWEL	2	
9	6E5-42724-00-00	GROMMET	1	
10	61A-42717-00-00	RUBBER, SEAL 2	1	
11	6CB-14750-00-00	SILENCER ASSY	1	
12	95875-06020-00	BOLT, FLANGE	2	
13	6CB-14755-00-00	.GASKET, SILENCER	1	
14	6CB-42769-00-00	.SEAL, RUBBER	1	
15	6CB-41132-00-9S	MANIFOLD, EXHAUST	1	
16	6CB-41134-00-00	.GASKET, EXHAUST MANIFOLD	1	
17	97575-08560-00	BOLT, WITH WASHER	4	
18	6CB-41138-00-00	.SEAL, EXT. 1	1	
19	6CB-41135-00-00	.GASKET, EXHAUST MANIFOLD	1	
20	6CB-45181-00-CA	PLATE	1	
21	97575-08535-00	BOLT, WITH WASHER	9	
22	6CB-45127-00-00	.SEAL	1	
23	6CB-45111-00-8D	CASING, UPPER	1	
24	6CB-42791-00-00	MARK 1	1	
25	6CB-42792-00-00	MARK 2	1	
26	6CB-45113-00-00	.GASKET, UPPER CASING	1	
27	90119-10007-00	BOLT, WITH WASHER	6	
28	93608-16M16-00	PIN, DOWEL	2	
29	6BB-15316-00-00	DAMPER 1	1	
30	6BB-45152-01-00	COVER, UPPER CASING 2	1	
31	97095-06014-00	BOLT	1	
32	95895-06010-00	BOLT, FLANGE	1	
33	6E5-83558-00-00	END, NIPPLE	1	
34	90465-11M10-00	CLAMP	2	
35	90445-07012-00	HOSE (L1457)	1	
36	63P-45379-00-00	NIPPLE, HOSE	1	
37	90119-06M18-00	BOLT, WITH WASHER	1	

VF200LA 0410 / OIL PAN



©2013 Yamaha Motor Corporation, U.S.A. All rights reserved.


Part List

VF200LA 0410 / OIL PAN

REF - NO	PART NUMBER	PART NAME	QUANTITY	REMARKS
1	6CB-15311-00-CA	OIL PAN	1	
2	97575-08535-00	BOLT, WITH WASHER	10	
3	93608-16M16-00	PIN, DOWEL	2	
4	90340-14M06-00	PLUG, STRAIGHT SCREW	1	
5	90430-14M09-00	.GASKET	1	
6	6CB-13411-00-00	STRAINER, OIL	1	
7	6AW-13415-00-00	.SEAL, OIL STRAINER	1	
8	95812-06025-00	BOLT, FLANGE	3	
9	6CB-13300-00-00	OIL PUMP ASSY	1	
10	6CB-13329-00-00	.GASKET, PUMP COVER	1	
11	6AW-13119-00-00	.OIL SEAL	1	
12	69J-13631-00-00	.OIL SEAL	2	
13	6CB-11355-00-00	.SEAL, CYLINDER 1	1	
14	95875-06040-00	BOLT, FLANGE	4	
15	93210-26658-00	.O-RING	2	
16	6CB-13490-00-00	RELIEF VALVE ASSY	1	
17	6CB-13473-00-00	.O-RING	1	
18	6CB-15362-00-00	PLUG, OIL LEVEL	1	
19	6CB-15377-00-00	GUIDE, INLET	1	
20	93210-19MJ3-00	.O-RING	1	
21	95875-06016-00	BOLT, FLANGE	2	

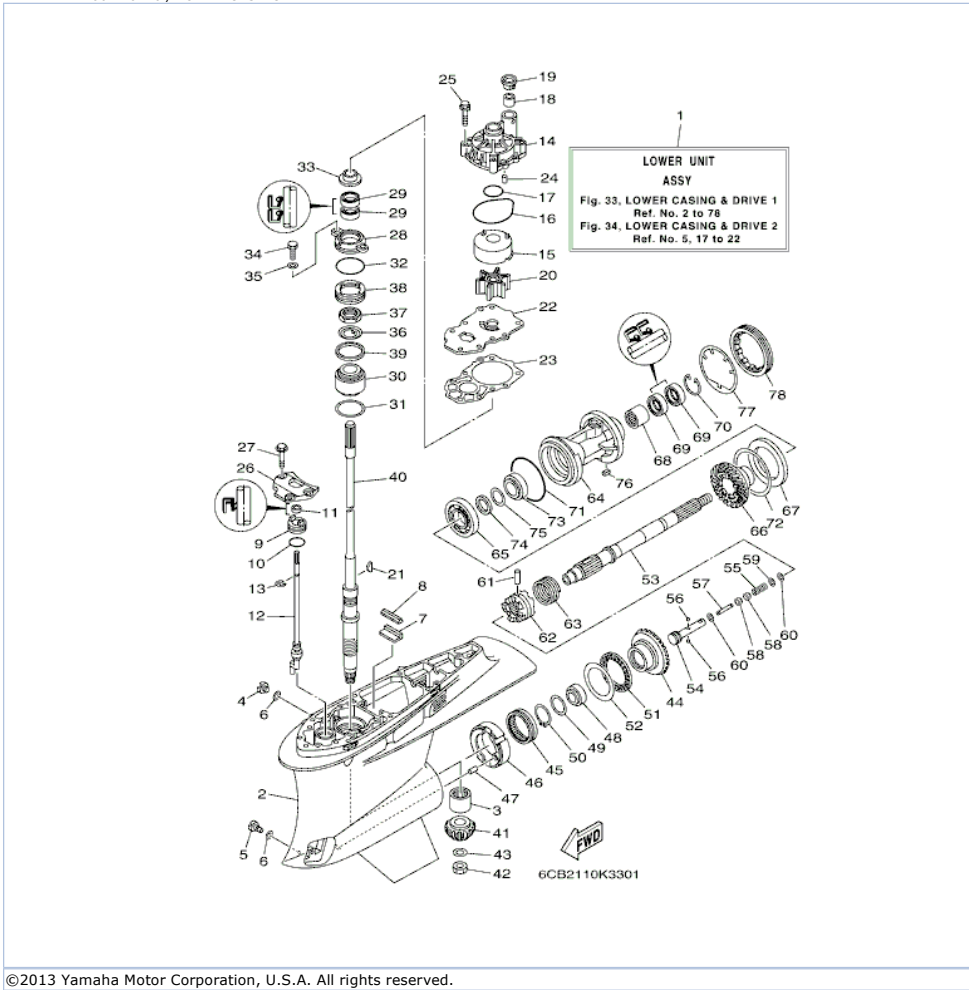
Part Notes

VF200LA 0410 / OIL PAN

PART NUMBER	NOTE TEXT
90430-14M09-00 	OEM: This part number is among the Top 100 Most Popular Marine Maintenance Parts as of August 2013.

©2013 Yamaha Motor Corporation, U.S.A. All rights reserved.

VF200LA 0410 / LOWER CASING DRIVE 1



©2013 Yamaha Motor Corporation, U.S.A. All rights reserved.

Part List



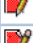




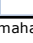
VF200LA 0410 / LOWER CASING DRIVE 1

REF - NO	PART NUMBER	PART NAME	QUANTITY	REMARKS
1	6CB-45300-00-NA	LOWER UNIT ASSY	1	
1	6CB-45300-01-NA	LOWER UNIT ASSY	1	UR 6CD:1000772-
2	6CB-45311-00-NA	CASING, LOWER	1	
2	6CB-45311-01-NA	CASING, LOWER	1	UR 6CD:1000772-
3	93311-928U5-00	BEARING	1	
4	90340-08002-00	PLUG, STRAIGHT SCREW	1	
5	688-45341-10-00	PLUG, DRAIN	1	
6	90430-08020-00	.GASKET	2	
7	663-45376-00-00	GUIDE, SEAL DAMPER	1	
8	688-45375-00-00	DAMPER, SEAL	1	
9	65N-45321-00-00	PLATE	1	
10	93210-33M49-00	.O-RING	1	
11	93106-09014-00	.OIL SEAL	1	
12	6CB-44150-00-00	SHIFT CAM ASSY	1	
13	99001-08600-00	CIRCLIP	1	
14	61A-44311-01-00	HOUSING, WATER PUMP	1	
15	61A-44322-02-00	.INSERT, CARTRIDGE	1	
16	93210-86M38-00	.O-RING	1	
17	93210-37160-00	.O-RING	1	
18	6E5-44365-00-00	DAMPER, WATER SEAL 1	1	
19	6E5-44312-00-00	COVER, WATER PUMP HOUSING	1	
20	6E5-44352-01-00	.IMPELLER	1	
21	90280-04002-00	.KEY, WOODRUFF	1	
22	6CB-44323-00-00	.OUTER PLATE, CARTRIDGE	1	
23	6CB-44315-00-00	.GASKET, WATER PUMP	1	
24	93606-12019-00	.PIN, DOWEL	2	
25	90119-08M14-00	.BOLT, WITH WASHER	4	
26	6CB-44312-00-00	COVER, WATER PUMP HOUSING	1	
27	90119-08M32-00	BOLT, WITH WASHER	3	
28	6CB-45335-00-9S	HOUSING, OIL SEAL	1	
29	93101-28M16-00	.OIL SEAL	2	
30	93332-000A3-00	BEARING	1	
31	6CB-45587-00-00	SHIM (T:0.10MM)	1	UR
31	6CB-45587-10-00	SHIM (T:0.12MM)	1	UR
31	6CB-45587-20-00	SHIM (T:0.15MM)	1	UR
31	6CB-45587-30-00	SHIM (T:0.18MM)	1	UR
31	6CB-45587-40-00	SHIM (T:0.30MM)	1	UR
31	6CB-45587-50-00	SHIM (T:0.40MM)	1	UR
31	6CB-45587-60-00	SHIM (T:0.50MM)	1	UR
32	93210-58144-00	.O-RING	1	
33	6E5-45344-00-00	COVER, OIL SEAL	1	
34	97095-08020-00	BOLT	2	
35	92995-08600-00	WASHER	2	
36	90214-30003-00	WASHER, CLAW	1	
37	90170-30M18-00	NUT	1	
38	6CB-45244-00-00	NUT	1	
39	6CB-45539-00-00	SPACER 2	1	
40	6CB-45501-00-00	DRIVE SHAFT COMP.	1	
40	6CB-45501-01-00	DRIVE SHAFT COMP	1	UR 6CD:1000772-
41	6CB-45551-00-00	PINION (12T)	1	
42	90170-16M19-00	NUT	1	
43	90201-16M00-00	WASHER, PLATE	1	
44	6CB-45561-00-00	GEAR 1 (21T)	1	
45	93311-85894-00	BEARING	1	
46	6CB-45824-00-00	ADAPTER	1	
47	93608-16M16-00	PIN, DOWEL	1	
48	93332-000A4-00	BEARING	1	
49	90201-41008-00	WASHER, PLATE	1	
50	99009-47500-00	CIRCLIP	1	
51	93340-67011-00	BEARING	1	
52	6CB-45567-00-00	SHIM (T:2.00MM)	1	UR
52	6CB-45567-10-00	SHIM (T:2.03MM)	1	UR
52	6CB-45567-20-00	SHIM (T:2.06MM)	1	UR
52	6CB-45567-30-00	SHIM (T:2.09MM)	1	UR
52	6CB-45567-40-00	SHIM (T:2.12MM)	1	UR
52	6CB-45567-50-00	SHIM (T:2.15MM)	1	UR
53	6CB-45611-00-00	SHAFT, PROPELLER	1	
54	6CB-45634-00-00	SLIDE, SHIFT	1	
55	90501-10M77-00	SPRING, COMPRESSION	1	

56	93501-04011-00	.BALL	2	
57	6H1-45668-00-00	SHAFT, FREE 1	1	
58	61A-45635-00-00	PLUNGER, SHIFT	2	
59	90201-02M00-00	WASHER, PLATE	1	
60	90183-02M03-00	NUT, SPRING	2	
61	90250-08M07-00	PIN, STRAIGHT	1	
62	6CB-45631-00-00	CLUTCH, DOG	1	
63	6E5-45633-01-00	RING, CROSS PIN	1	
64	6CB-45332-00-CA	HOUSING, BEARING	1	
65	93306-209U0-00	BEARING	1	
66	6CB-45571-00-00	GEAR 2 (21T)	1	
67	6CB-45576-00-00	WASHER, THRUST 2	1	
68	93315-43061-00	BEARING	1	
69	93101-30M17-00	.OIL SEAL	2	
70	93450-45M02-00	CIRCLIP	1	
71	93211-02001-00	.O-RING	1	
72	6CB-45577-00-00	SHIM (T:0.10MM)	1	UR
72	6CB-45577-10-00	SHIM (T:0.12MM)	1	UR
72	6CB-45577-20-00	SHIM (T:0.15MM)	1	UR
72	6CB-45577-30-00	SHIM (T:0.18MM)	1	UR
72	6CB-45577-40-00	SHIM (T:0.30MM)	1	UR
72	6CB-45577-50-00	SHIM (T:0.40MM)	1	UR
72	6CB-45577-60-00	SHIM (T:0.50MM)	1	UR
73	93332-000A5-00	BEARING	1	
74	90201-32008-00	WASHER, PLATE	1	
75	676-45567-00-00	SHIM (T:0.7MM)	1	UR
75	676-45567-10-00	SHIM (T:0.8MM)	1	UR
75	676-45567-20-00	SHIM (T:0.9MM)	1	UR
75	676-45567-30-00	SHIM (T:1.0MM)	1	UR
75	676-45567-40-00	SHIM (T:1.1MM)	1	UR
75	676-45567-50-00	SHIM (T:1.2MM)	1	UR
76	90282-05008-00	KEY, STRAIGHT	1	
77	6CB-45383-00-00	WASHER, CLAW	1	
78	6CB-45384-00-00	NUT	1	

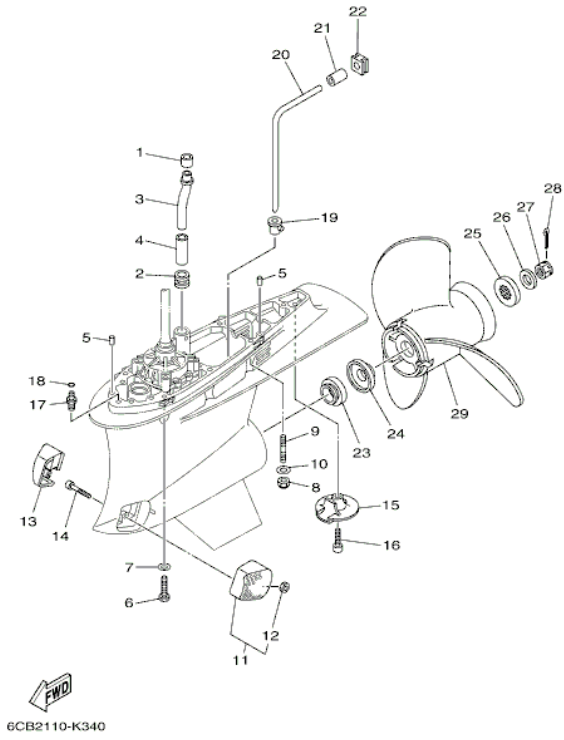
Part Notes

VF200LA 0410 / LOWER CASING DRIVE 1

PART NUMBER	NOTE TEXT
6CB-45311-00-NA	 OEM: Part is No Longer Available. Please use 6CB-45311-01-NA, however, due to changes in the housing, you should also replace the driveshaft with part number 6CB-45501-01-00.
90430-08020-00	 OEM: This part number is among the Top 100 Most Popular Marine Maintenance Parts as of August 2013.
93106-09014-00	 OEM: This part number is among the Top 100 Most Popular Marine Maintenance Parts as of August 2013.
61A-44311-01-00	 OEM: This part number is among the Top 100 Most Popular Marine Maintenance Parts as of August 2013.
93210-86M38-00	 OEM: This part number is among the Top 100 Most Popular Marine Maintenance Parts as of August 2013.
6E5-44352-01-00	 OEM: This part number is among the Top 100 Most Popular Marine Maintenance Parts as of August 2013.
93101-28M16-00	 OEM: This part number is among the Top 100 Most Popular Marine Maintenance Parts as of August 2013.
93101-30M17-00	 OEM: This part number is among the Top 100 Most Popular Marine Maintenance Parts as of August 2013.

©2013 Yamaha Motor Corporation, U.S.A. All rights reserved.

VF200LA 0410 / LOWER CASING DRIVE 2



©2013 Yamaha Motor Corporation, U.S.A. All rights reserved.




Part List

VF200LA 0410 / LOWER CASING DRIVE 2

REF - NO	PART NUMBER	PART NAME	QUANTITY	REMARKS
1	6E5-44365-00-00	DAMPER, WATER SEAL 1	1	
2	6E5-44366-00-00	DAMPER, WATER SEAL 2	1	
3	6CB-44361-00-00	TUBE, WATER 1	1	
4	90445-23002-00	HOSE (L59)	1	
5	93608-16M16-00	PIN, DOWEL	2	
6	97095-10045-00	BOLT	3	
7	92995-10600-00	WASHER	3	
8	95780-10300-00	NUT, FLANGE	4	
9	90116-10021-00	BOLT, STUD	4	
10	92995-10600-00	WASHER	4	
11	6CB-45214-10-00	COVER, WATER INLET 1	1	
12	90185-05002-00	.NUT, NYLON	1	
13	6CB-45215-10-00	COVER, WATER INLET 2	1	
14	90110-05039-00	BOLT, HEXAGON SOCKET HEAD	1	
15	6AW-45619-00-00	CAP	1	
16	90110-10018-00	BOLT, HEXAGON SOCKET HEAD	1	
17	63P-45378-00-00	NIPPLE, HOSE	1	
18	93210-07003-00	O-RING	1	
19	6D0-44367-00-00	DAMPER, WATER SEAL 3	1	
20	6CB-44362-00-00	TUBE, WATER 2	1	
21	6D0-44365-00-00	DAMPER, WATER SEAL 1	1	
22	6D0-44366-00-00	DAMPER, WATER SEAL 2	1	
23	60X-45987-10-00	SPACER 1	1	
24	60X-45995-00-00	SPACER 3	1	
25	688-45997-01-00	SPACER 2	1	
26	92990-18200-00	WASHER	1	
27	90171-18M04-00	NUT, CASTLE	1	
28	91490-40030-00	PIN, COTTER	1	
29	6CB-45974-00-00	PROPELLER (3X14-1/2"X23"- T1)	1	UR
29	6CB-45972-00-00	PROPELLER (3X15-1/8"X25"- T1)	1	UR
29	6CB-45970-00-00	PROPELLER (3X15-1/8"X27"- T1)	1	UR
29	6CB-45976-00-00	PROPELLER (3X14-3/4"X29"- T1)	1	UR

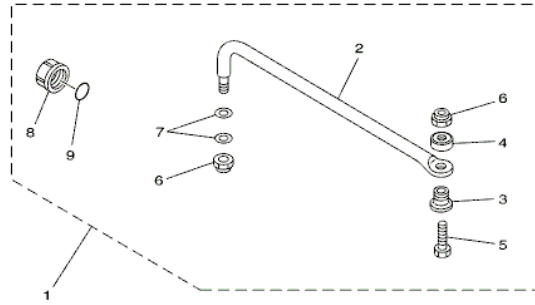
Part Notes

VF200LA 0410 / LOWER CASING DRIVE 2

PART NUMBER	NOTE TEXT
60X-45987-10-00	 OEM: The part number for a kit containing 1 - 60X-45987-10-00 (SPACER 1) and 1 - 60X-45995-00-00 (SPACER 3) is 99999-03848-00 (SPACER SET).
60X-45995-00-00	 OEM: The part number for a kit containing 1 - 60X-45987-10-00 (SPACER 1) and 1 - 60X-45995-00-00 (SPACER 3) is 99999-03848-00 (SPACER SET).
91490-40030-00	 OEM: This part number is among the Top 100 Most Popular Marine Maintenance Parts as of August 2013.

©2013 Yamaha Motor Corporation, U.S.A. All rights reserved.

VF200LA 0410 / STEERING GUIDE



67H0100-9290

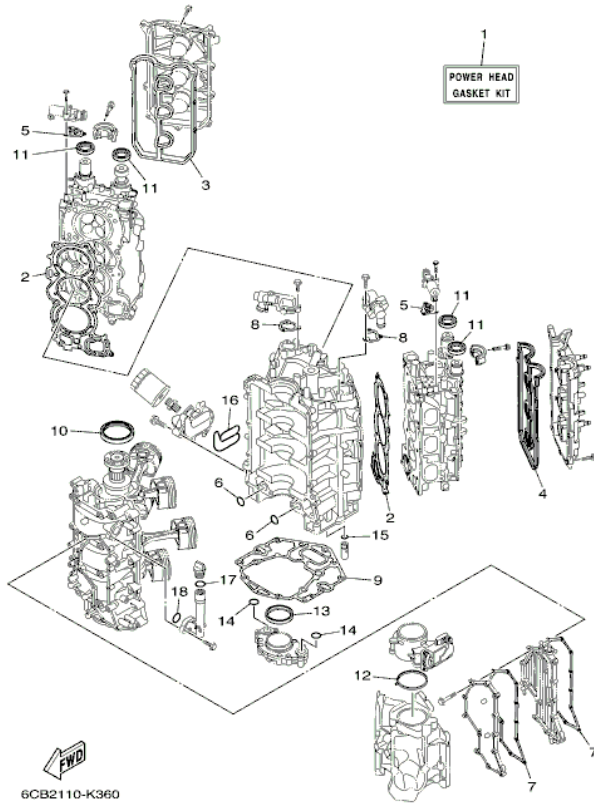
©2013 Yamaha Motor Corporation, U.S.A. All rights reserved.

Part List

VF200LA 0410 / STEERING GUIDE

REF - NO	PART NUMBER	PART NAME	QUANTITY	REMARKS
1	6E5-61350-02-00	STEERING GUIDE ATTACHMENT KIT	1	AP
2	6E5-61351-01-00	.ROD, STEERING LINK	1	
3	90387-10M61-00	.COLLAR	1	
4	90560-12M01-00	.SPACER	1	
5	6E5-61355-00-00	.BOLT	1	
6	90185-09M01-00	.NUT, SELF-LOCKING	2	
7	90201-10M20-00	.WASHER, PLATE	2	
8	6E5-43145-01-00	.CAP, CLAMP BRACKET	1	
9	93210-16275-00	.O-RING	1	

VF200LA 0410 / REPAIR KIT 1



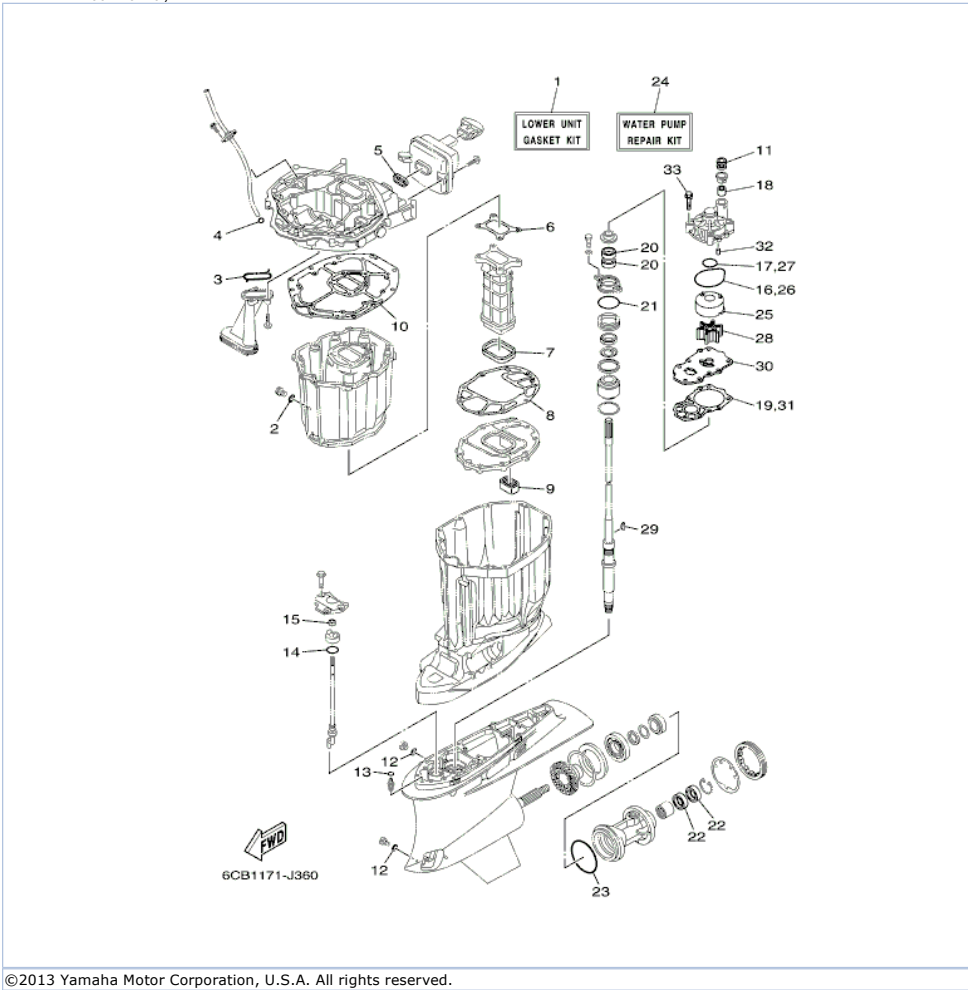
©2013 Yamaha Motor Corporation, U.S.A. All rights reserved.

Part List

VF200LA 0410 / REPAIR KIT 1

REF - NO	PART NUMBER	PART NAME	QUANTITY	REMARKS
1	6CB-W0001-00-00	POWER HEAD GASKET KIT	1	
2	6CB-11181-00-00	.GASKET, CYLINDER HEAD 1	2	
3	6CB-11193-00-00	.GASKET, HEAD COVER 1	1	
4	6CB-11194-00-00	.GASKET, HEAD COVER 2	1	
5	6CB-1242F-00-00	.GASKET, FILTER	2	
6	93210-26658-00	.O-RING	2	
7	6CB-15451-00-00	.GASKET, CRANKCASE COVER 1	2	
8	6CB-12427-00-00	.GASKET, HOUSING COVER 1	2	
9	6CB-11351-00-00	.GASKET, CYLINDER	1	
10	93102-85008-00	.OIL SEAL	1	
11	93102-38008-00	.OIL SEAL	4	
12	6CB-13556-00-00	.GASKET, MANIFOLD	1	
13	6CB-11355-00-00	.SEAL, CYLINDER 1	1	
14	93210-26658-00	.O-RING	2	
15	6CB-13473-00-00	.O-RING	1	
16	6CB-13477-00-00	.GASKET	1	
17	93210-24M79-00	.O-RING	1	
18	93210-27370-00	.O-RING	1	

VF200LA 0410 / REPAIR KIT 2



©2013 Yamaha Motor Corporation, U.S.A. All rights reserved.









Part List

VF200LA 0410 / REPAIR KIT 2

REF - NO	PART NUMBER	PART NAME	QUANTITY	REMARKS
1	6CB-W0001-20-00	LOWER UNIT GASKET KIT	1	
2	90430-14M09-00	.GASKET	1	
3	6AW-13415-00-00	.SEAL, OIL STRAINER	1	
4	93210-19MJ3-00	.O-RING	1	
5	6CB-14755-00-00	.GASKET, SILENCER	1	
6	6CB-41134-00-00	.GASKET, EXHAUST MANIFOLD	1	
7	6CB-41138-00-00	.SEAL, EXT 1	1	
8	6CB-41135-00-00	.GASKET, EXHAUST MANIFOLD	1	
9	6CB-45127-00-00	.SEAL	1	
10	6CB-45113-00-00	.GASKET, UPPER CASING	1	
11	6E5-44366-00-00	.DAMPER, WATER SEAL 2	1	
12	90430-08020-00	.GASKET	2	
13	93210-07003-00	.O-RING	1	
14	93210-33M49-00	.O-RING	1	
15	93106-09014-00	.OIL SEAL	1	
16	93210-86M38-00	.O-RING	1	
17	93210-37160-00	.O-RING	1	
18	6E5-44365-00-00	.DAMPER, WATER SEAL 1	1	
19	6CB-44315-00-00	.GASKET, WATER PUMP	1	
20	93101-28M16-00	.OIL SEAL	2	
21	93210-58144-00	.O-RING	1	
22	93101-30M17-00	.OIL SEAL	2	
23	93211-02001-00	.O-RING	1	
24	6CB-W0078-00-00	WATER PUMP REPAIR KIT	1	
25	61A-44322-02-00	.INSERT, CARTRIDGE	1	
26	93210-86M38-00	.O-RING	1	
27	93210-37160-00	.O-RING	1	
28	6E5-44352-01-00	.IMPELLER	1	
29	90280-04002-00	.KEY, WOODRUFF	1	
30	6CB-44323-00-00	.OUTER PLATE, CARTRIDGE	1	
31	6CB-44315-00-00	.GASKET, WATER PUMP	1	
32	93606-12019-00	.PIN, DOWEL	2	
33	90119-08M14-00	.BOLT, WITH WASHER	4	

Part Notes

VF200LA 0410 / REPAIR KIT 2

PART NUMBER		NOTE TEXT
90430-14M09-00		OEM: This part number is among the Top 100 Most Popular Marine Maintenance Parts as of August 2013.
90430-08020-00		OEM: This part number is among the Top 100 Most Popular Marine Maintenance Parts as of August 2013.
93106-09014-00		OEM: This part number is among the Top 100 Most Popular Marine Maintenance Parts as of August 2013.
93210-86M38-00		OEM: This part number is among the Top 100 Most Popular Marine Maintenance Parts as of August 2013.
93101-28M16-00		OEM: This part number is among the Top 100 Most Popular Marine Maintenance Parts as of August 2013.
93101-30M17-00		OEM: This part number is among the Top 100 Most Popular Marine Maintenance Parts as of August 2013.
93210-86M38-00		OEM: This part number is among the Top 100 Most Popular Marine Maintenance Parts as of August 2013.
6E5-44352-01-00		OEM: This part number is among the Top 100 Most Popular Marine Maintenance Parts as of August 2013.

©2013 Yamaha Motor Corporation, U.S.A. All rights reserved.

©2013 Yamaha Motor Corporation, U.S.A. All rights reserved.