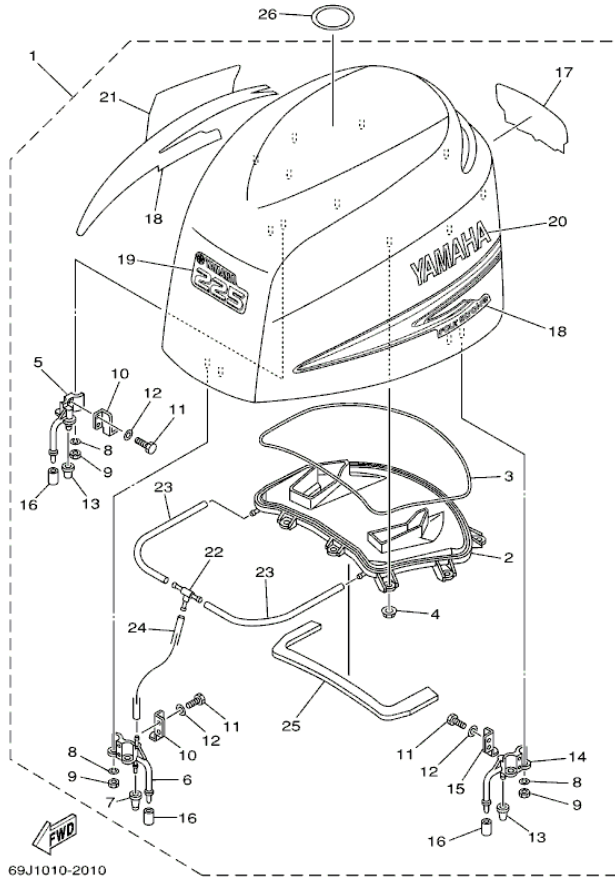


LF200TXRB 2003 / TOP COWLING



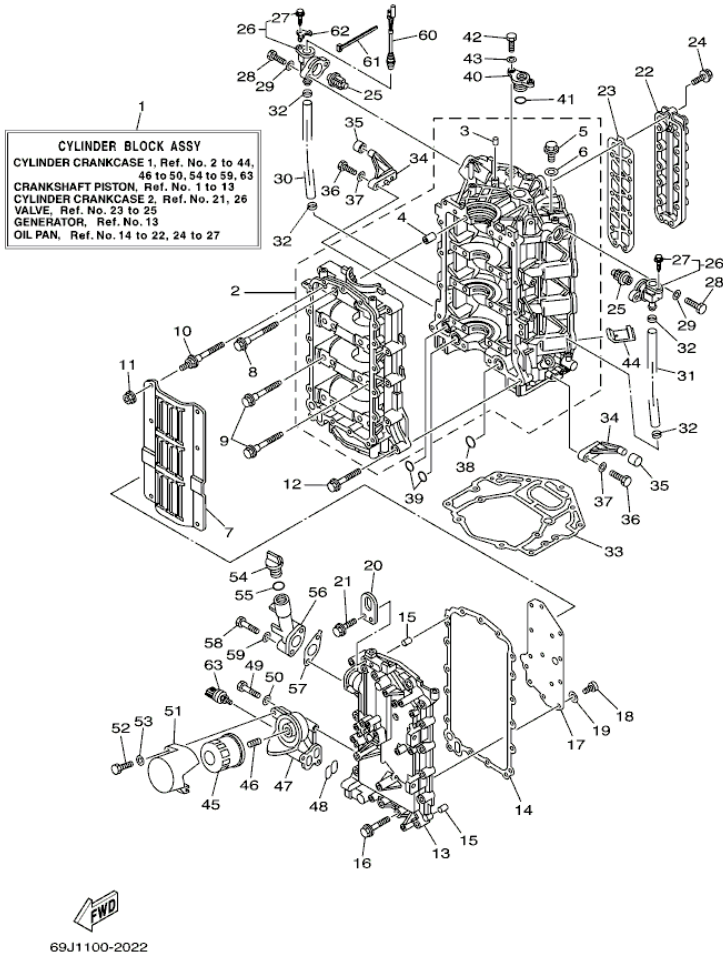
©2013 Yamaha Motor Corporation, U.S.A. All rights reserved.

## Part List

LF200TXRB 2003 / TOP COWLING

REF - NO	PART NUMBER	PART NAME	QUANTITY	REMARKS
1	60L-42610-00-8D	TOP COWLING ASSY	1	UR F200,LF200
2	69J-42613-00-00	.MOLDING, AIR DUCT	1	
3	69J-42629-00-00	.SEAL	1	
4	90179-06M28-00	.NUT	9	
5	68F-42647-01-94	.HOLDER, CLAMP BAND	1	
6	69J-42647-00-94	.HOLDER, CLAMP BAND	1	
7	69J-42663-00-00	.DAMPER	1	
8	92990-06100-00	.WASHER, SPRING	6	
9	95380-06600-00	.NUT, HEXAGON	6	
10	68F-42651-00-00	.HOOK	2	
11	97095-06016-00	.BOLT	6	
12	92995-06600-00	.WASHER	6	
13	68F-42663-00-00	.DAMPER	2	
14	68F-42648-01-94	.HOLDER, CLAMP BAND	1	
15	67F-42652-00-00	.HOOK	1	
16	67F-13448-00-00	.CAP	3	
17	60L-42678-00-00	.GRAPHIC, REAR	1	UR F200,LF200
18	69J-W0070-00-00	.GRAPHIC SET	1	
19	60L-42677-00-00	.GRAPHIC, FRONT	1	UR F200,LF200
20	69J-42681-00-00	.MARK, COWLING	1	
21	69J-42682-00-00	.MARK, COWLING	1	
22	69J-24378-00-00	.PIPE, JOINT 3	1	
23	90445-11020-00	.HOSE (L400)	2	
24	90445-11021-00	.HOSE (L310)	1	
25	69J-42617-00-00	.DAMPER, FORM	1	
26	67F-13434-02-00	LABEL, CAUTION	1	

LF200TXRB 2003 / CYLINDER CRANKCASE 1



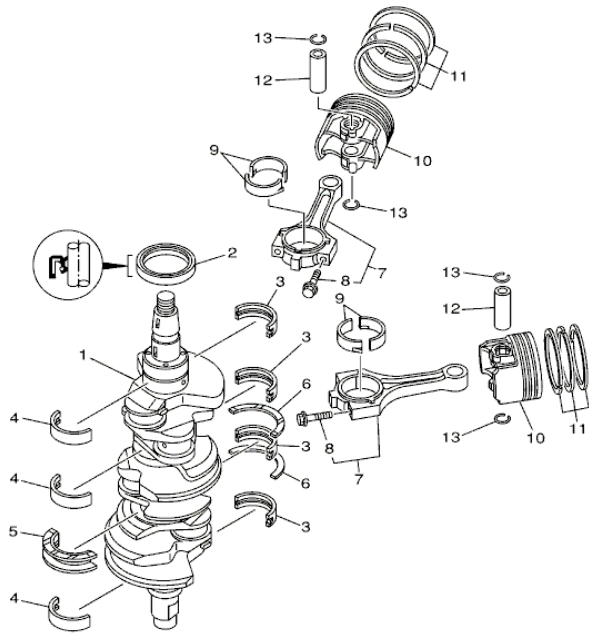
©2013 Yamaha Motor Corporation, U.S.A. All rights reserved.

## Part List

LF200TXRB 2003 / CYLINDER CRANKCASE 1

REF - NO	PART NUMBER	PART NAME	QUANTITY	REMARKS
1	69J-W009B-01-1S	CYLINDER BLOCK ASSY	1	
2	69J-15100-00-1S	CRANKCASE ASSY	1	
3	93606-12019-00	.PIN, DOWEL	1	
4	91814-18001-00	.PIN, DOWEL	8	
5	90340-14M06-00	.PLUG, STRAIGHT SCREW	1	
6	90430-14115-00	.GASKET	1	
7	69J-15123-00-00	PLATE, BAFFLE 1	1	
8	69J-15187-00-00	BOLT	8	
9	69J-15481-00-00	BOLT 1	2	
10	69J-15482-00-00	BOLT 2	6	
11	95707-06500-00	NUT, FLANGE	6	
12	90119-08M66-00	BOLT, WITH WASHER	13	
13	69J-15411-00-94	COVER, CRANKCASE 1	1	
14	69J-15451-00-00	.GASKET, CRANKCASE COVER 1	1	
15	93606-12019-00	.PIN, DOWEL	2	
16	90119-08009-00	BOLT, WITH WASHER	17	
17	69J-11168-00-00	COVER, BREATHER	1	
18	98507-04008-00	..SCREW, PAN HEAD	14	
19	92907-04600-00	.WASHER	14	
20	69J-11119-00-00	HANGER, ENGINE	1	
21	90119-06MA2-00	BOLT, WITH WASHER	2	
22	69J-1131C-00-1S	COVER, JOINT	1	
23	69J-1131B-00-00	.GASKET, COVER	1	
24	90119-06MA4-00	BOLT, WITH WASHER	13	
25	67F-12411-00-00	THERMOSTAT	2	
26	69J-1240H-00-1S	COVER ASSEMBLY	2	
27	90109-06M86-00	.BOLT	1	
28	97095-06025-00	BOLT	4	
29	92995-06600-00	WASHER	4	
30	69J-1243A-00-00	HOSE 1	1	
31	69J-1243E-00-00	HOSE 2	1	
32	90465-11M10-00	CLAMP	4	
33	69J-11351-00-00	.GASKET, CYLINDER	1	
34	67F-42761-00-94	STOPPER	2	
35	68F-44533-00-00	DAMPER, UPPER MOUNT RUBBER	2	
36	97095-06025-00	BOLT	4	
37	92995-06600-00	WASHER	4	
38	93210-25552-00	O-RING	1	
39	93210-19MJ1-00	.O-RING	2	
40	69J-11313-00-94	PLUG, BLIND	1	
41	93210-25647-00	.O-RING	1	
42	97095-06020-00	BOLT	2	
43	92995-06600-00	WASHER	2	
44	69J-14664-00-00	.GROMMET, WATER SHUT	2	
45	69J-13440-00-00	ELEMENT ASSY, OIL CLEANER	1	
46	69J-12858-00-00	BOLT, UNION	1	
47	69J-13446-00-94	CONNECTOR	1	
48	69J-13477-00-00	.GASKET	1	
49	97095-06045-00	.BOLT	3	
50	92995-06600-00	WASHER	3	
51	69J-13447-00-00	COVER, OIL ELEMENT	1	
52	97095-06040-00	.BOLT	1	
53	92995-06600-00	WASHER	1	
54	6G8-15363-00-00	PLUG, OIL	1	
55	93210-24M79-00	.O-RING	1	
56	69J-15319-00-1S	JOINT	1	
57	69J-15364-A0-00	.GASKET, OIL PLUG	1	
58	97095-06045-00	.BOLT	2	
59	92995-06600-00	WASHER	2	
60	69J-82560-00-00	THERMO SWITCH ASSY	2	
61	90465-11M10-00	CLAMP	2	
62	6E9-82588-00-00	PLATE	2	
63	69J-83651-00-00	SENDER, OIL PRESSURE	1	

LF200TXRB 2003 / CRANKSHAFT PISTON



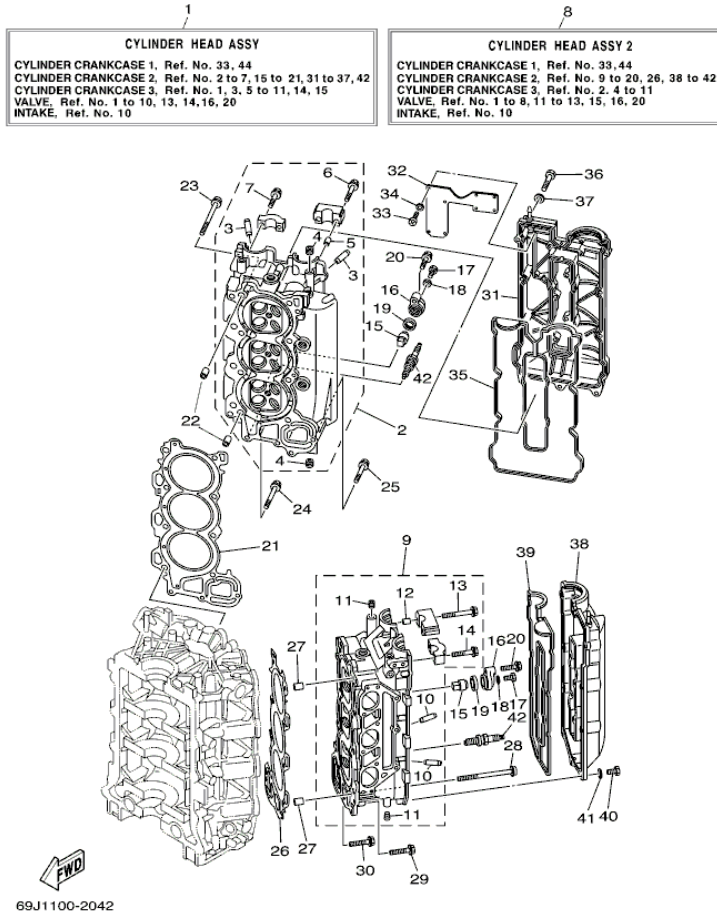
  
69J1010-2030

## Part List

LF200TXRB 2003 / CRANKSHAFT PISTON

REF - NO	PART NUMBER	PART NAME	QUANTITY	REMARKS
1	69J-11411-00-00	CRANKSHAFT	1	
2	93102-63004-00	OIL SEAL	1	
3	69J-11416-00-00	PLANE BEARING, CRANKSHAFT 1	4	UR #1
3	69J-11416-20-00	PLANE BEARING, CRANKSHAFT 1	4	UR #3
3	69J-11416-10-00	PLANE BEARING, CRANKSHAFT 1	4	UR #2
4	69J-11417-00-00	PLANE BEARING, CRANKSHAFT 2	3	UR #1
4	69J-11417-20-00	PLANE BEARING, CRANKSHAFT 2	3	UR #3
4	69J-11417-10-00	PLANE BEARING, CRANKSHAFT 2	3	UR #2
5	69J-11426-00-00	BEARING, THRUST 1	1	UR #1
5	69J-11426-20-00	PLANE BEARING, CRANKSHAFT 1	1	UR #3
5	69J-11426-10-00	PLANE BEARING, CRANKSHAFT 1	1	UR #2
6	69J-11427-00-00	BEARING, THRUST 2	2	
7	69J-W1165-00-00	CONNECTING ROD ASSY	6	
8	69J-11654-00-00	.BOLT, CONNECTING ROD	2	
9	69J-11656-00-00	PLANE BEARING, CONNECTING ROD	12	UR YELLOW
9	69J-11656-20-00	PLANE BEARING, CONNECTING ROD	12	UR BLUE
9	69J-11656-10-00	PLANE BEARING, CONNECTING	12	UR GREEN
10	69J-11631-00-B0	PISTON (STD)	6	
11	69J-11603-00-00	PISTON RING SET (STD)	6	
12	69J-11633-00-00	PIN, PISTON	6	
13	69J-11634-00-00	CLIP, PISTON PIN	12	

LF200TXRB 2003 / CYLINDER CRANKCASE 2



©2013 Yamaha Motor Corporation, U.S.A. All rights reserved.


Part List

LF200TXRB 2003 / CYLINDER CRANKCASE 2

REF - NO	PART NUMBER	PART NAME	QUANTITY	REMARKS
1	69J-W009A-01-1S	CYLINDER HEAD COMPLETE	1	STBD
2	69J-11110-00-94	CYLINDER HEAD (BARE)	1	STBD
3	69J-11133-10-00	.GUIDE, VALVE 1	12	
4	90344-51019-00	.PLUG, TAPER SCREW	5	
5	91809-08006-00	.PIN, DOWEL	2	
6	90119-07235-00	.BOLT/WASHER-CAM CAPS	2	
7	90119-07234-00	.BOLT, WITH WASHER	18	
8	69J-W009C-01-1S	CYLINDER HEAD 2 COMPLETE	1	PORT
9	69J-11120-00-94	CYLINDER HEAD (BARE)	1	PORT
10	69J-11133-10-00	.GUIDE, VALVE 1	12	
11	90344-51019-00	.PLUG, TAPER SCREW	5	
12	91809-08006-00	.PIN, DOWEL	2	
13	90119-07235-00	.BOLT/WASHER-CAM CAPS	2	
14	90119-07234-00	.BOLT, WITH WASHER	14	
15	67F-11325-00-00	TAB, TRIM	4	
16	69J-11327-00-94	COVER, ANODE	4	
17	97075-06020-00	BOLT	4	
18	92995-06600-00	WASHER	4	
19	67F-11328-00-00	.GROMMET, ANODE	4	
20	97575-08540-00	BOLT, WITH WASHER	4	
21	69J-11181-01-00	.GASKET, CYLINDER HEAD 1	1	
22	90387-10M08-00	COLLAR	2	
23	90155-10001-00	SCREW, FLAT FILLISTER	8	
24	90119-08M91-00	BOLT, WITH WASHER	2	
25	90119-08021-00	BOLT, WITH WASHER	1	
26	69J-11182-01-00	.GASKET, CYLINDER HEAD 2	1	
27	90387-10M08-00	COLLAR	2	
28	90155-10001-00	SCREW, FLAT FILLISTER	8	
29	90119-08M91-00	BOLT, WITH WASHER	2	
30	90119-08021-00	BOLT, WITH WASHER	1	
31	69J-11191-00-1S	COVER, CYLINDER HEAD 1	1	
32	69J-11135-00-00	PLATE, BREATHER 3	1	
33	98507-04008-00	..SCREW, PAN HEAD	8	
34	92907-04600-00	.WASHER	8	
35	69J-11193-00-00	.GASKET, HEAD COVER 1	1	
36	97095-06030-00	BOLT	14	
37	92995-06600-00	WASHER	14	
38	69J-11192-00-1S	COVER, CYLINDER HEAD 2	1	
39	69J-11194-00-00	.GASKET, HEAD COVER 2	1	
40	97095-06030-00	BOLT	14	
41	92995-06600-00	WASHER	14	
42	NGK-LFR5A-11-00	PLUG, SPARK (NGK LFR5A-11)	6	

Part Notes

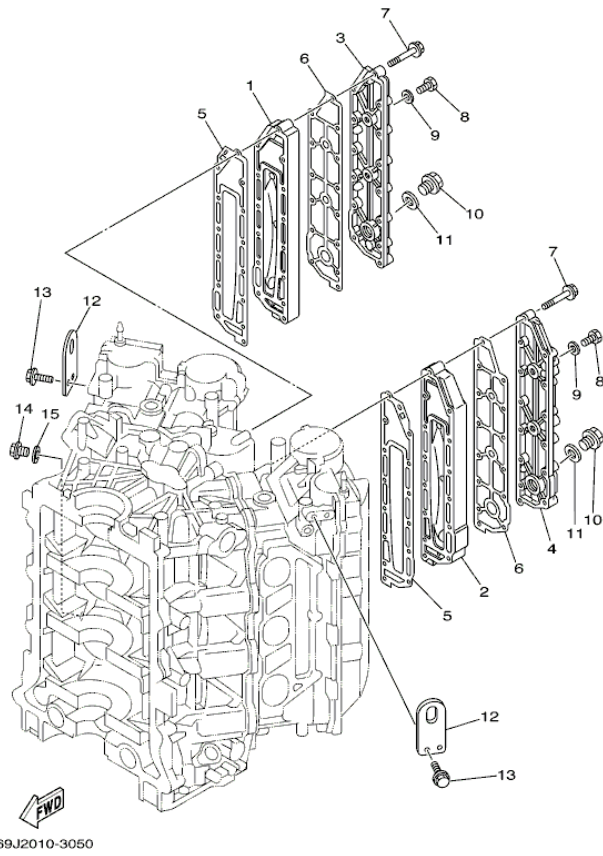
LF200TXRB 2003 / CYLINDER CRANKCASE 2

PART NUMBER	NOTE TEXT
67F-11328-00-00 	OEM: This part number is among the Top 100 Most Popular Marine Maintenance Parts as of August 2013.

©2013 Yamaha Motor Corporation, U.S.A. All rights reserved.



LF200TXRB 2003 / CYLINDER CRANKCASE 3



©2013 Yamaha Motor Corporation, U.S.A. All rights reserved.




Part List

LF200TXRB 2003 / CYLINDER CRANKCASE 3

REF - NO	PART NUMBER	PART NAME	QUANTITY	REMARKS
1	69J-41111-00-1S	INNER COVER, EXHAUST	1	
2	69J-41121-00-1S	INNER COVER, EXHAUST	1	
3	69J-41113-00-1S	OUTER COVER, EXHAUST	1	
4	69J-41123-00-1S	OUTER COVER, EXHAUST	1	
5	69J-41112-00-00	.GASKET, EXHAUST INNER COVER	2	
6	69J-41114-00-00	.GASKET, EXHAUST OUTER COVER	2	
7	90119-06027-00	BOLT, WITH WASHER	28	
8	97095-08014-00	BOLT	4	
9	90430-08143-00	GASKET	4	
10	90340-18M09-00	PLUG, STRAIGHT SCREW	2	
11	90430-18130-00	.GASKET	2	
12	69J-1111E-00-00	HANGER, ENGINE 2	2	
13	90119-06MA2-00	BOLT, WITH WASHER	4	
14	90340-14M06-00	PLUG, STRAIGHT SCREW	1	
15	90430-14115-00	.GASKET	1	

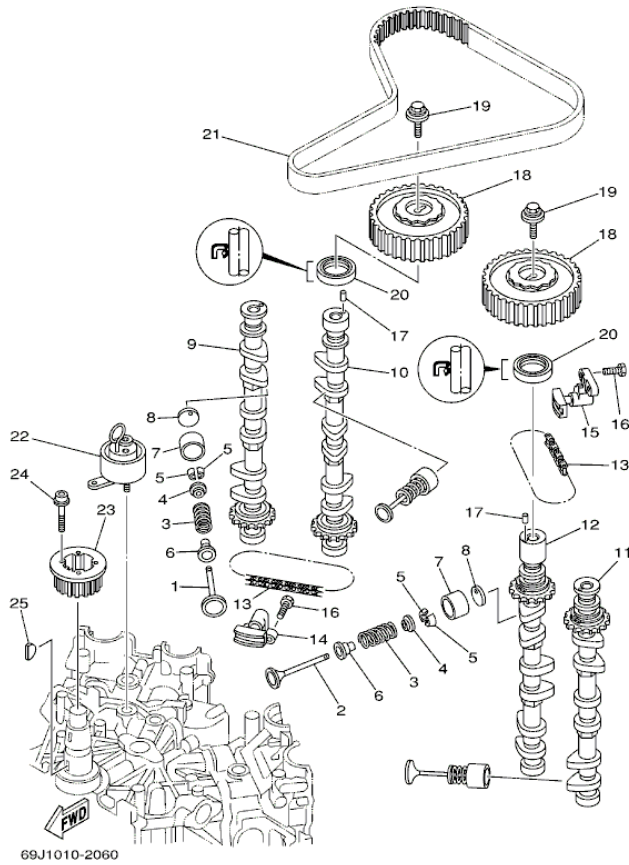
Part Notes

LF200TXRB 2003 / CYLINDER CRANKCASE 3

PART NUMBER	NOTE TEXT
69J-41111-00-1S	 OEM: 69J41111001S is discontinued and does not supersede to 69J41111019S. You may use 69J41111019S as a substitute for 69J41111001S, but you have to change/add the following parts as well. 6P2113250000 qty 1 ANODE 9015106M0200 qty1 SCREW, COUNTERSUNK 6E5113250000 qty1 ANODE 987800401500 qty1 SCREW, FLAT HEAD 69J411120100 qty1 GSKT INNER COVER, EXT 69J41113029S qty1 OUTER COVER, EXHAUST 916904001000 qty1 PIN, SPRING 69J411140100 qty1 GSKT OUTER COVER, EXT
69J-41121-00-1S	 OEM: 69J41121001S is discontinued and does not supersede to 69J41121019S. You may use 69J41121019S as a substitute for 69J41121001S, but you have to change/add the following parts as well. 6P2113250000 qty 1 ANODE 9015106M0200 qty1 SCREW, COUNTERSUNK 6E5113250000 qty1 ANODE 987800401500 qty1 SCREW, FLAT HEAD 69J411120100 qty1 GSKT INNER COVER, EXT 69J41123029S qty1 OUTER COVER, EXHAUST 916904001000 qty1 PIN, SPRING 69J411140100 qty1 GSKT OUTER COVER, EXT
69J-41113-00-1S	 OEM: 69J41113001S is discontinued and does not supersede to 69J41113011S. When you use 69J41113011S as a substitute for 69J41113001S, you have to change the following parts as well. 69J41111019S qty 1 INNER COVER, EXHAUST 63P113251100 qty 1 ANODE 9015106M0200 qty1 SCREW, COUNTERSUNK 6E5113250000 qty1 ANODE 987800401500 qty1 SCREW, FLAT HEAD(+) 69J411120100 qty1 GSKT INNER COVER, EXT 69J41113019S qty1 OUTER COVER, EXHAUST 916904001000 qty1 PIN, SPRING 69J411140100 qty1 GSKT OUTER COVER, EXT

©2013 Yamaha Motor Corporation, U.S.A. All rights reserved.

LF200TXRB 2003 / VALVE



©2013 Yamaha Motor Corporation, U.S.A. All rights reserved.


Part List

LF200TXRB 2003 / VALVE

REF - NO	PART NUMBER	PART NAME	QUANTITY	REMARKS
1	69J-12111-00-00	VALVE, INTAKE	12	
2	69J-12121-00-00	VALVE, EXHAUST	12	
3	69J-12113-00-00	SPRING, VALVE INNER	24	
4	69J-12117-00-00	RETAINER, VALVE SPRING	24	
5	69J-12118-00-00	COTTER, VALVE	48	
6	69J-12119-00-00	SEAL, VALVE STEM	24	
7	69J-12153-00-00	LIFTER, VALVE	24	
8	69J-12168-00-00	PAD, ADJUSTING (2.320)	24	UR
8	69J-12169-00-00	PAD, ADJUSTING (2.960)	24	UR
8	69J-12168-20-00	PAD, ADJUSTING (2.360)	24	UR
8	69J-12168-30-00	PAD, ADJUSTING (2.380)	24	UR
8	69J-12168-40-00	PAD, ADJUSTING (2.400)	24	UR
8	69J-12168-50-00	PAD, ADJUSTING (2.420)	24	UR
8	69J-12168-60-00	PAD, ADJUSTING (2.440)	24	UR
8	69J-12168-70-00	PAD, ADJUSTING (2.460)	24	UR
8	69J-12168-80-00	PAD, ADJUSTING (2.480)	24	UR
8	69J-12168-90-00	PAD, ADJUSTING (2.500)	24	UR
8	69J-12168-A0-00	PAD, ADJUSTING (2.520)	24	UR
8	69J-12168-B0-00	PAD, ADJUSTING (2.540)	24	UR
8	69J-12168-C0-00	PAD, ADJUSTING (2.560)	24	UR
8	69J-12168-D0-00	PAD, ADJUSTING (2.580)	24	UR
8	69J-12168-E0-00	PAD, ADJUSTING (2.600)	24	UR
8	69J-12168-F0-00	PAD, ADJUSTING (2.620)	24	UR
8	69J-12168-G0-00	PAD, ADJUSTING (2.640)	24	UR
8	69J-12168-H0-00	PAD, ADJUSTING (2.660)	24	UR
8	69J-12168-J0-00	PAD, ADJUSTING (2.680)	24	UR
8	69J-12168-K0-00	PAD, ADJUSTING (2.700)	24	UR
8	69J-12168-L0-00	PAD, ADJUSTING (2.720)	24	UR
8	69J-12168-M0-00	PAD, ADJUSTING (2.740)	24	UR
8	69J-12168-N0-00	PAD, ADJUSTING (2.760)	24	UR
8	69J-12168-P0-00	PAD, ADJUSTING (2.780)	24	UR
8	69J-12168-R0-00	PAD, ADJUSTING (2.800)	24	UR
8	69J-12168-S0-00	PAD, ADJUSTING (2.820)	24	UR
8	69J-12168-T0-00	PAD, ADJUSTING (2.840)	24	UR
8	69J-12168-U0-00	PAD, ADJUSTING (2.860)	24	UR
8	69J-12168-V0-00	PAD, ADJUSTING (2.880)	24	UR
8	69J-12168-W0-00	PAD, ADJUSTING (2.900)	24	UR
8	69J-12168-X0-00	PAD, ADJUSTING (2.920)	24	UR
8	69J-12168-Y0-00	PAD, ADJUSTING (2.940)	24	UR
8	69J-12168-10-00	PAD, ADJUSTING (2.340)	24	UR
9	69J-12171-00-00	CAMSHAFT 1	1	
10	69J-12181-00-00	CAMSHAFT 2	1	
11	69J-12172-00-00	CAMSHAFT 3	1	
12	69J-12182-00-00	CAMSHAFT 4	1	
13	94581-99044-00	CHAIN	2	
14	69J-12210-00-00	TENSIONER ASSY, CAM CHAIN	1	
15	69J-12230-00-00	TENSIONER ASSY, CAM CHAIN 2	1	
16	97013-06025-00	BOLT	4	
17	93605-10108-00	PIN, DOWEL	2	
18	69J-11537-00-00	GEAR, DRIVEN	2	
19	90119-10M06-00	BOLT, WITH WASHER	2	
20	93102-38M59-00	.OIL SEAL	2	
21	69J-46241-00-00	BELT	1	
22	69J-11590-00-00	TENSIONER ASSY	1	
23	69J-11536-00-00	GEAR, DRIVE	1	
24	90110-05010-00	BOLT, HEXAGON SOCKET HEAD	4	
25	90280-04008-00	KEY, WOODRUFF	1	

Part Notes

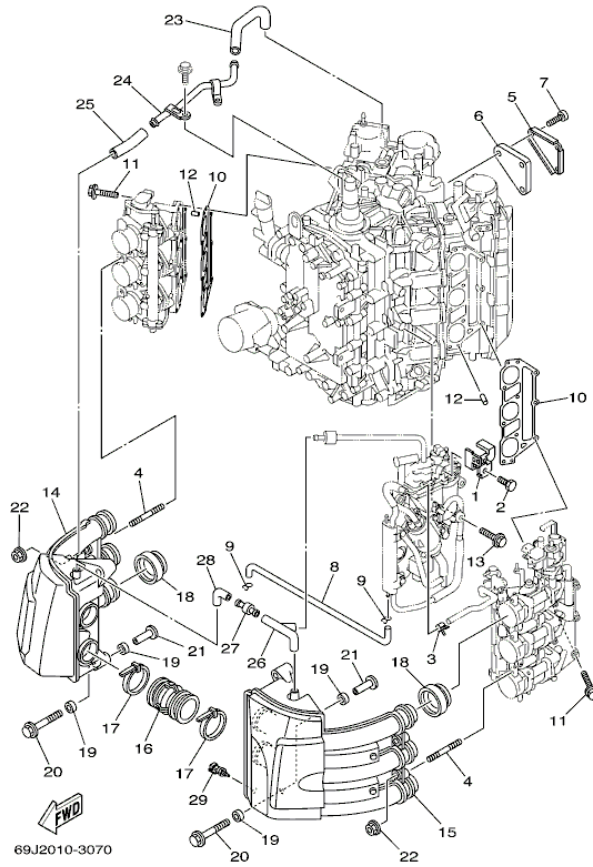
LF200TXRB 2003 / VALVE

PART NUMBER	NOTE TEXT
69J-12119-00-00 	OEM: This part number is among the Top 100 Most Popular Marine Maintenance Parts as of August 2013.

©2013 Yamaha Motor Corporation, U.S.A. All rights reserved.



LF200TXRB 2003 / INTAKE



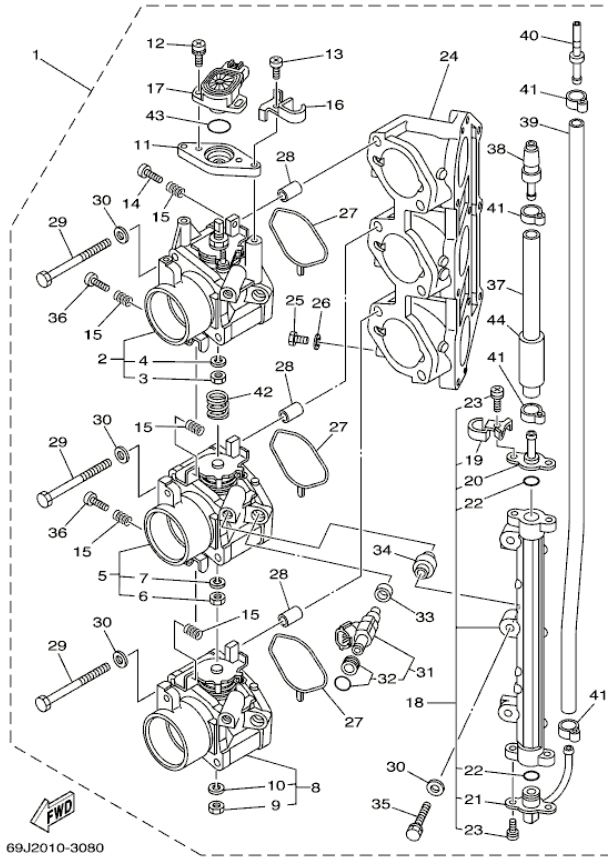
©2013 Yamaha Motor Corporation, U.S.A. All rights reserved.

## Part List

LF200TXRB 2003 / INTAKE

REF - NO	PART NUMBER	PART NAME	QUANTITY	REMARKS
1	69J-14146-10-00	PLATE	1	
2	69J-14162-00-00	BOLT, HOLDING	1	
3	68V-24519-00-00	CLIP	1	
4	90116-06032-00	BOLT, STUD	4	
5	69J-1442A-00-00	COVER, CLEANER CASE 3	1	
6	69J-14409-00-00	DAMPER	1	
7	97780-60620-00	SCREW, TAPPING	3	
8	69J-12483-00-00	PIPE 3	1	
9	90467-09M03-00	CLIP	2	
10	69J-13645-00-00	.GASKET, MANIFOLD 1	2	
11	90119-08022-00	BOLT, WITH WASHER	18	
12	91690-50014-00	PIN, SPRING	4	
13	90119-06M24-00	BOLT, WITH WASHER	4	
14	69J-14440-00-00	SILENCER ASSY, INTAKE	1	
15	69J-1444F-00-00	SILENCER ASSY, INTAKE 2	1	
16	69J-14419-00-00	PIPE	2	
17	90465-11M52-00	CLAMP	4	
18	69J-14457-00-00	SEAL	6	
19	90386-08001-00	BUSH	8	
20	90119-06036-00	BOLT, WITH WASHER	4	
21	90387-06038-00	COLLAR	4	
22	90179-06M28-00	NUT	4	
23	69J-15373-00-00	PIPE, BREATHER	1	
24	69J-15394-00-00	PIPE, OIL VENT	1	
25	69J-15393-00-00	PIPE, BREATHER 2	1	
26	69J-15397-00-00	PIPE	1	
27	5EL-14467-00-00	SEAL	1	
28	69J-14348-00-00	PIPE 1	1	
29	65L-85886-00-00	THERMOSENSOR	1	

LF200TXRB 2003 / THROTTLE BODY ASSY 1



©2013 Yamaha Motor Corporation, U.S.A. All rights reserved.

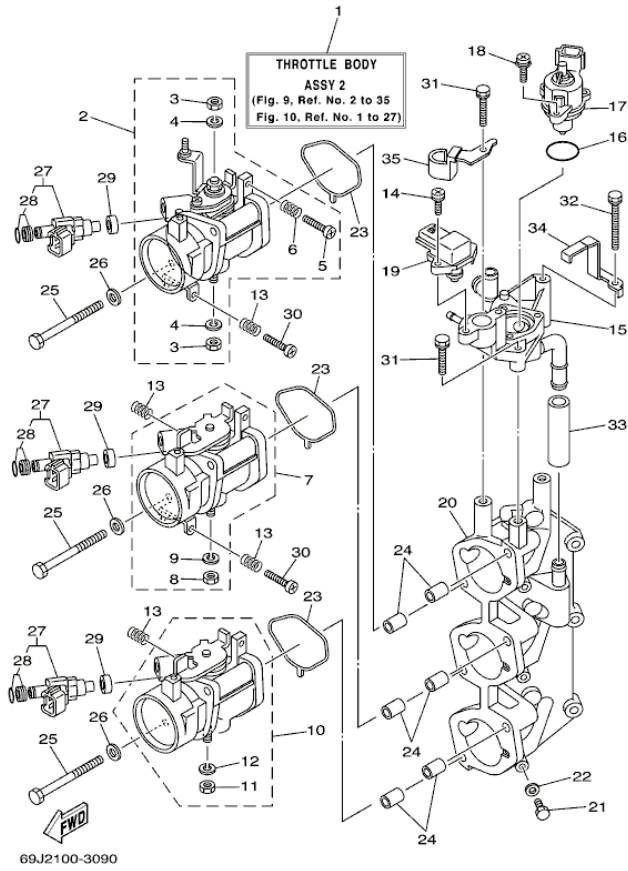


## Part List

LF200TXRB 2003 / THROTTLE BODY ASSY 1

REF - NO	PART NUMBER	PART NAME	QUANTITY	REMARKS
1	60L-13750-00-00	THROTTLE BODY ASSY	1	UR F200,LF200
2	60L-13751-00-00	.BODY, THROTTLE 1	1	UR F200,LF200
3	3CF-14594-00-00	..NUT	1	
4	92990-08100-00	..WASHER, SPRING	1	
5	60L-13753-00-00	.BODY, THROTTLE 3	1	UR F200,LF200
6	3CF-14594-00-00	..NUT	1	
7	92990-08100-00	..WASHER, SPRING	1	
8	60L-13755-00-00	.BODY, THROTTLE 5	1	UR F200,LF200
9	3CF-14594-00-00	..NUT	1	
10	92990-08100-00	..WASHER, SPRING	1	
11	69J-13576-00-00	.SPACER	1	
12	68V-81145-01-00	.SCREW 1	2	
13	68V-14565-00-00	.SCREW	2	
14	68V-14323-00-00	.SCREW, AIR ADJUSTING	1	
15	68V-14331-00-00	.SPRING, THROTTLE VALVE	5	
16	69J-14261-00-00	.HOLDER	1	
17	69J-85885-00-00	.THROTTLE SENSOR ASSY	1	
18	69J-13160-00-00	.DELIVERY PIPE ASSY 1	1	
19	69J-14261-00-00	..HOLDER	1	
20	69J-14295-00-00	..PIPE, FUEL	1	
21	69J-14251-00-00	..NIPPLE	1	
22	68V-14397-00-00	..O-RING	2	
23	68V-81147-00-00	..SCREW 3	4	
24	69J-13641-00-00	.MANIFOLD 1	1	
25	97095-06010-00	.BOLT	3	
26	90430-06014-00	.GASKET	3	
27	69J-13557-00-00	.GASKET	3	
28	99530-10114-00	.PIN, DOWEL	6	
29	69J-14496-00-00	.BOLT	6	
30	68V-14475-00-00	.WASHER	9	
31	69J-13761-00-00	.INJECTOR	3	
32	68V-1410B-00-00	..PACKING KIT	1	
33	68V-13766-00-00	.RUBBER, INJECTOR	3	
34	68V-14264-00-00	.COLLAR	3	
35	68V-14428-00-00	.BOLT	3	
36	69J-14321-00-00	.SCREW, THROTTLE	2	
37	69J-13973-00-00	.PIPE, FUEL 3	1	
38	68F-24300-00-00	.FUEL PIPE JOINT	1	
39	69J-13972-00-00	.PIPE, FUEL 2	1	
40	69J-24381-00-00	.SET BAR, FUEL JOINT	1	
41	68V-24387-00-00	.CLIP	4	
42	60L-14286-00-00	.SPRING	1	UR F200,LF200
43	68V-8182L-00-00	.O-RING 1	1	
44	69J-14149-00-00	.PIPE	1	

LF200TXRB 2003 / THROTTLE BODY ASSY 2



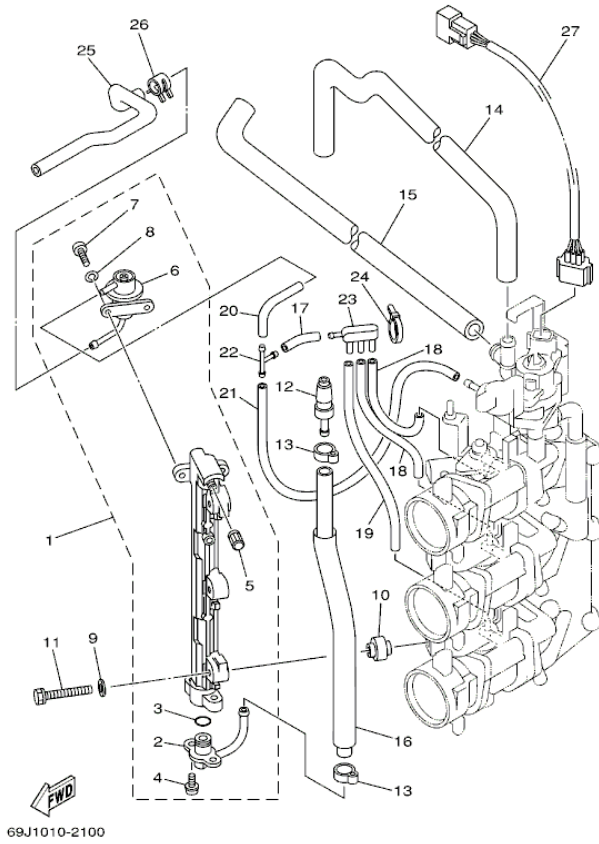
©2013 Yamaha Motor Corporation, U.S.A. All rights reserved.

## Part List

LF200TXRB 2003 / THROTTLE BODY ASSY 2

REF - NO	PART NUMBER	PART NAME	QUANTITY	REMARKS
1	60L-1375A-00-00	THROTTLE BODY ASSY 2	1	UR F200,LF200
2	60L-13752-00-00	BODY, THROTTLE 2	1	UR F200,LF200
3	3CF-14594-00-00	.NUT	2	
4	92990-08100-00	.WASHER, SPRING	2	
5	68V-14323-00-00	.SCREW, AIR ADJUSTING	1	
6	68V-14331-00-00	.SPRING, THROTTLE VALVE	1	
7	60L-13754-00-00	BODY, THROTTLE 4	1	UR F200,LF200
8	3CF-14594-00-00	.NUT	1	
9	92990-08100-00	.WASHER, SPRING	1	
10	60L-13756-00-00	BODY, THROTTLE 6	1	UR F200,LF200
11	3CF-14594-00-00	.NUT	1	
12	92990-08100-00	.WASHER, SPRING	1	
13	68V-14331-00-00	.SPRING, THROTTLE VALVE	4	
14	68V-81147-00-00	SCREW 3	2	
15	69J-14960-00-00	BODY ASSY	1	
16	68V-13473-00-00	O-RING	1	
17	68V-1312A-00-00	VALVE, CONTROL	1	
18	68V-81146-01-00	SCREW 2	3	
19	68V-82380-00-00	SENSOR, PRESSURE	1	
20	69J-13642-00-00	MANIFOLD 2	1	
21	97095-06010-00	BOLT	3	
22	90430-06014-00	GASKET	3	
23	69J-13557-00-00	.GASKET	3	
24	99530-10114-00	PIN, DOWEL	6	
25	69J-14496-00-00	BOLT	6	
26	68V-14475-00-00	WASHER	6	
27	69J-13761-00-00	INJECTOR	3	
28	68V-1410B-00-00	..PACKING KIT	1	
29	68V-13766-00-00	RUBBER, INJECTOR	3	
30	69J-14321-00-00	.SCREW, THROTTLE	2	
31	69J-13573-00-00	BOLT 1	2	
32	69J-13574-00-00	BOLT 2	1	
33	69J-13547-00-00	HOSE 3	1	
34	69J-14159-00-00	CLIP	1	
35	69J-14255-00-00	PLATE	1	

LF200TXRB 2003 / THROTTLE BODY ASSY 3



©2013 Yamaha Motor Corporation, U.S.A. All rights reserved.

## Part List

LF200TXRB 2003 / THROTTLE BODY ASSY 3

REF - NO	PART NUMBER	PART NAME	QUANTITY	REMARKS
1	69J-13170-00-00	DELIVERY PIPE ASSY 2	1	
2	69J-13435-00-00	.NIPPLE	1	
3	68V-14397-00-00	.O-RING	1	
4	68V-81147-00-00	.SCREW 3	2	
5	68V-14225-00-00	.CAP	1	
6	69J-13906-00-00	.REGULATOR, PRESSURE	1	
7	68V-14565-00-00	.SCREW	2	
8	68V-14356-00-00	.WASHER, SPRING	2	
9	68V-14475-00-00	WASHER	3	
10	68V-14264-00-00	COLLAR	3	
11	68V-14428-00-00	BOLT	3	
12	68F-24300-00-00	FUEL PIPE JOINT	1	
13	68V-24387-00-00	.CLIP	2	
14	69J-13546-00-00	HOSE 2	1	
15	69J-13545-00-00	HOSE 1	1	
16	69J-13974-00-00	PIPE, FUEL 4	1	
17	68V-13544-00-00	HOSE, VACUUM SENSING 2	1	
18	5JW-14349-00-00	.PIPE	2	
19	69J-13542-00-00	HOSE, VACUUM SENSING 1	1	
20	69J-13532-00-00	.HOSE, VACUUM SENSING 3	1	
21	69J-13533-00-00	HOSE, VACUUM SENSING 4	1	
22	68V-24377-00-00	PIPE, JOINT 2	1	
23	69J-13595-00-00	JOINT	1	
24	69J-14139-00-00	CLIP, PIPE	1	
25	69J-13975-00-00	PIPE, FUEL 5	1	
26	68V-24519-00-00	CLIP	1	
27	69J-8259L-00-00	WIRE HARNESS ASSY 1	1	




Part List

LF200TXRB 2003 / FUEL INJECTION PUMP 1

REF - NO	PART NUMBER	PART NAME	QUANTITY	REMARKS
1	69J-14180-10-00	FLOAT CHAMBER ASSY	1	
2	69J-14182-00-00	COVER, FLOAT CHAMBER	1	
3	69J-2411R-00-00	.PLATE 1	1	
4	69J-2411T-00-00	.PLATE 2	1	
5	4SV-24453-00-00	.SCREW	2	
6	69J-14181-00-00	BODY, FLOAT CHAMBER 1	1	
7	266-14191-00-00	.PLUG, DRAIN	1	
8	59V-14962-00-00	.WASHER	1	
9	69J-14985-00-00	FLOAT	1	
10	68V-14386-00-00	.PIN, FLOAT	1	
11	69J-14546-00-00	VALVE, NEEDLE	1	
12	68V-13769-00-00	O-RING	1	
13	68V-14255-00-00	PLATE	1	
14	98507-04008-00	..SCREW, PAN HEAD	1	
15	68V-14357-00-00	WASHER, PLAIN	2	
16	68V-13781-00-00	.DAMPER, PUMP	1	
17	69J-13907-00-00	FUEL PUMP COMP.	1	
18	68V-13915-00-00	FILTER	1	
19	68V-13784-00-00	COVER, PUMP	1	
20	68V-14567-00-00	SCREW	7	
21	68V-14984-00-00	GASKET, FLOAT CHAMBER	1	
22	69J-24379-00-00	.PIPE, JOINT 4	1	
23	69J-14148-00-00	PIPE	2	
24	69J-14197-00-00	PIPE	1	
25	69J-14989-00-00	ORIFICE, AIR VENT	1	
26	69J-24410-00-00	FUEL PUMP ASSY	1	
27	69J-24491-00-00	BRACKET, FUEL PUMP	1	
28	69J-24492-00-00	BUSH, FUEL PUMP	2	
29	69J-24592-00-00	BOLT	2	
30	69J-24422-10-00	PLATE	1	
31	69J-14164-00-00	NUT, HOLDING	2	
32	69J-21841-00-00	COOLER	1	
33	68V-14265-00-00	COLLAR	2	
34	69J-14446-00-00	BOLT	3	
35	69J-13593-00-00	DAMPER	4	
36	69J-13716-00-00	.COLLAR	8	
37	69J-14225-00-00	CAP	1	

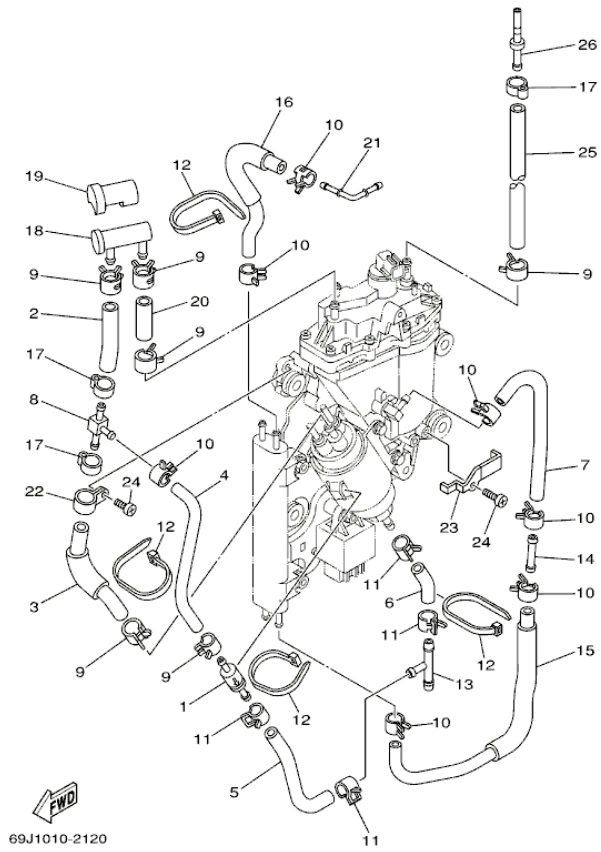
Part Notes

LF200TXRB 2003 / FUEL INJECTION PUMP 1

PART NUMBER	NOTE TEXT
68V-14984-00-00 	OEM: This part number is among the Top 100 Most Popular Marine Maintenance Parts as of August 2013.

©2013 Yamaha Motor Corporation, U.S.A. All rights reserved.

LF200TXRB 2003 / FUEL INJECTION PUMP 2



©2013 Yamaha Motor Corporation, U.S.A. All rights reserved.




Part List

LF200TXRB 2003 / FUEL INJECTION PUMP 2

REF - NO	PART NUMBER	PART NAME	QUANTITY	REMARKS
1	69J-24460-00-00	RELIEF VALVE ASSY	1	
2	69J-24324-00-00	PIPE 13	1	
3	69J-24321-00-00	PIPE 10	1	
4	69J-24322-00-00	PIPE 11	1	
5	69J-24323-00-00	PIPE 12	1	
6	69J-24317-00-00	PIPE 7	1	
7	69J-24316-00-00	PIPE 6	1	
8	69J-24537-00-00	NIPPLE	1	
9	68V-13577-00-00	CLIP	6	
10	68V-24519-00-00	CLIP	7	
11	69J-14137-00-00	CLIP	4	
12	68V-2481H-00-00	CLAMP	4	
13	6E5-24378-00-00	PIPE, JOINT 3	1	
14	69J-24461-00-00	PIPE, JOINT	1	
15	69J-24315-00-00	PIPE 5	1	
16	69J-13976-00-00	PIPE, FUEL 6	1	
17	68V-24387-00-00	.CLIP	3	
18	69J-24501-00-00	FILTER, FUEL	1	
19	69J-24599-00-00	CAP	1	
20	69J-24325-00-00	PIPE 14	1	
21	69J-1410F-00-00	NIPPLE 1	1	
22	69J-24366-00-00	CLAMP, FUEL PIPE 1	1	
23	69J-24367-00-00	CLAMP, FUEL PIPE 2	1	
24	98582-05008-00	SCREW, PAN HEAD	2	
25	69J-13974-00-00	PIPE, FUEL 4	1	
26	69J-24381-00-00	SET BAR, FUEL JOINT	1	

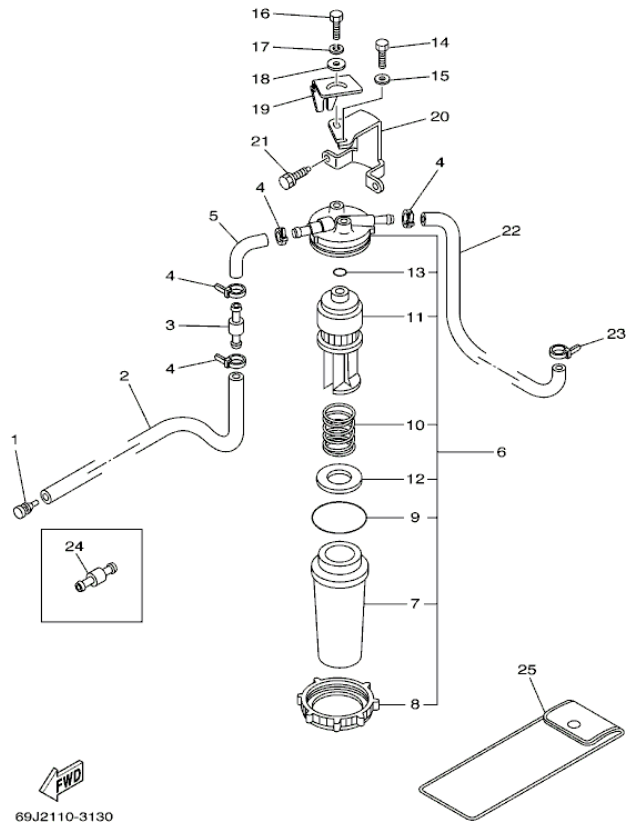
Part Notes

LF200TXRB 2003 / FUEL INJECTION PUMP 2

PART NUMBER	NOTE TEXT
69J-24501-00-00 	OEM: This part number is among the Top 100 Most Popular Marine Maintenance Parts as of August 2013.

©2013 Yamaha Motor Corporation, U.S.A. All rights reserved.

LF200TXRB 2003 / FUEL 1



©2013 Yamaha Motor Corporation, U.S.A. All rights reserved.





Part List

LF200TXRB 2003 / FUEL 1

REF - NO	PART NUMBER	PART NAME	QUANTITY	REMARKS
1	689-85547-00-00	DAMPER	1	
2	90445-13004-00	HOSE (L2360)	1	
3	6R3-24377-00-00	PIPE, JOINT 2	1	
4	90465-11M10-00	CLAMP	4	
5	61A-24311-00-00	PIPE, FUEL 1	1	
6	65L-24560-00-00	FILTER ASSY	1	
7	61A-24521-00-00	.CUP, FILTER	1	
8	65L-24531-01-00	.NUT	1	
9	61A-24564-00-00	.O-RING	1	
10	65L-24577-00-00	.SPRING	1	
11	65L-24563-00-00	.ELEMENT, FILTER	1	
12	61A-24469-00-00	.FLOAT, WATER LEVEL	1	
13	65L-24564-00-00	.O-RING	1	
14	97095-06014-00	BOLT	1	
15	92995-06600-00	WASHER	1	
16	97095-06016-00	BOLT	1	
17	92995-06100-00	WASHER, SPRING	1	
18	90201-06068-00	WASHER, PLATE	1	
19	65L-24558-00-00	HOLDER, FILTER	1	
20	69J-24566-00-00	BRACKET, FILTER	1	
21	90119-06037-00	BOLT, WITH WASHER	2	
22	69J-24313-00-00	PIPE 3	1	
23	90465-11M10-00	CLAMP	1	
24	6R3-24377-10-00	PIPE, JOINT 2	1	EXCEPT F225TUR

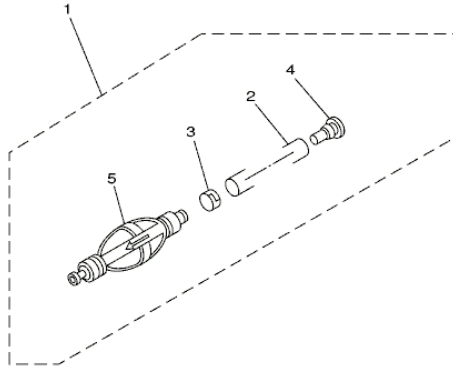
Part Notes

LF200TXRB 2003 / FUEL 1

PART NUMBER		NOTE TEXT
61A-24564-00-00		OEM: This part number is among the Top 100 Most Popular Marine Maintenance Parts as of August 2013.
65L-24563-00-00		OEM: This part number is among the Top 100 Most Popular Marine Maintenance Parts as of August 2013.
65L-24564-00-00		OEM: This part number is among the Top 100 Most Popular Marine Maintenance Parts as of August 2013.
92995-06100-00		OEM: This part number is among the Top 100 Most Popular Marine Maintenance Parts as of August 2013.

©2013 Yamaha Motor Corporation, U.S.A. All rights reserved.

LF200TXRB 2003 / FUEL 2



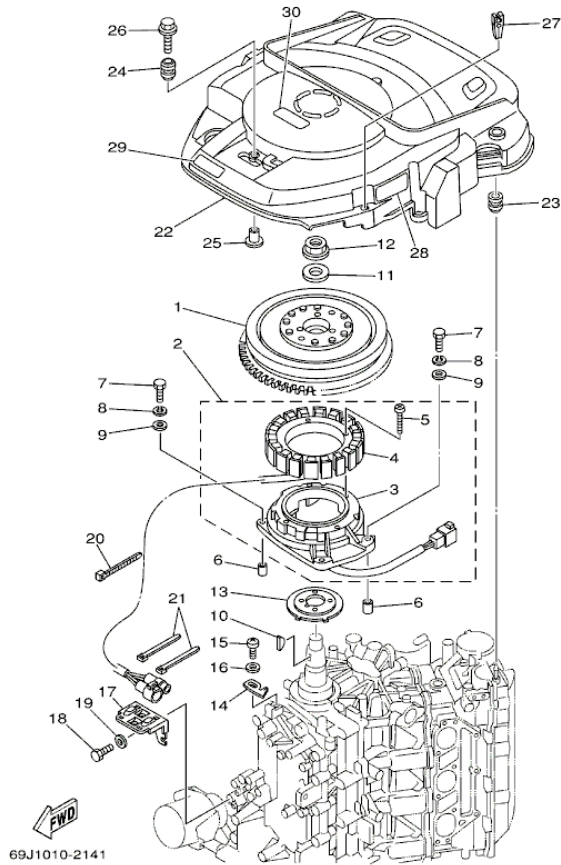
©2013 Yamaha Motor Corporation, U.S.A. All rights reserved.

## Part List

LF200TXRB 2003 / FUEL 2

REF - NO	PART NUMBER	PART NAME	QUANTITY	REMARKS
1	6Y2-24307-50-00	FUEL PIPE COMP. 2	1	AP
2	90445-13M01-00	.HOSE (L2050)	1	
3	6E5-24351-51-00	.BAND 1	1	
4	90480-06M19-00	.GROMMET	1	
5	6Y2-24360-60-00	.PRIMER PUMP ASSY	1	FOR 6Y2-24307-50
5	6Y2-24360-52-00	.PRIMER PUMP ASSY	1	FOR 6Y2-24307-41

LF200TXRB 2003 / GENERATOR



©2013 Yamaha Motor Corporation, U.S.A. All rights reserved.


Part List

LF200TXRB 2003 / GENERATOR

REF - NO	PART NUMBER	PART NAME	QUANTITY	REMARKS
1	69J-81450-10-00	ROTOR ASSY	1	
2	69J-81460-01-00	BASE ASSY	1	
3	69J-85580-00-00	.COIL, PULSER	1	
4	69J-81410-01-00	.STATOR ASSY	1	
5	63D-81345-20-00	.SCREW, WITH WASHER (M6X30)	4	
6	99530-08012-00	PIN, DOWEL	2	
7	97095-06035-00	BOLT	4	
8	92995-06100-00	WASHER, SPRING	4	
9	92995-06600-00	WASHER	4	
10	90280-05015-00	KEY, WOODRUFF	1	
11	90201-24014-00	WASHER, PLATE	1	
12	90179-24002-00	NUT	1	
13	69J-81673-00-00	ROTOR	1	
14	67F-81332-00-00	PLATE, TIMING	1	
15	97885-06010-00	SCREW, PAN HEAD	1	
16	92995-06600-00	WASHER	1	
17	69J-8132G-00-00	PLATE	1	
18	97095-06016-00	BOLT	1	
19	92995-06600-00	WASHER	1	
20	90465-13M18-00	CLAMP	1	
21	90465-14M66-00	CLAMP	2	
22	69J-81337-00-00	COVER, FLYWHEEL	1	
23	663-82317-01-00	DAMPER, IGNITION COIL	2	
24	6A0-82317-00-00	DAMPER, IGNITION COIL	3	
25	624-42542-00-00	PIPE	3	
26	90119-06M59-00	BOLT, WITH WASHER	3	
27	67F-2812A-00-00	.PULLER, FUSE	1	
28	69J-81919-20-00	GRAPHIC, REGULATOR	1	
29	69J-13437-41-00	MARK, CAUTION	1	
30	6A1-83625-41-00	MARK 5	1	

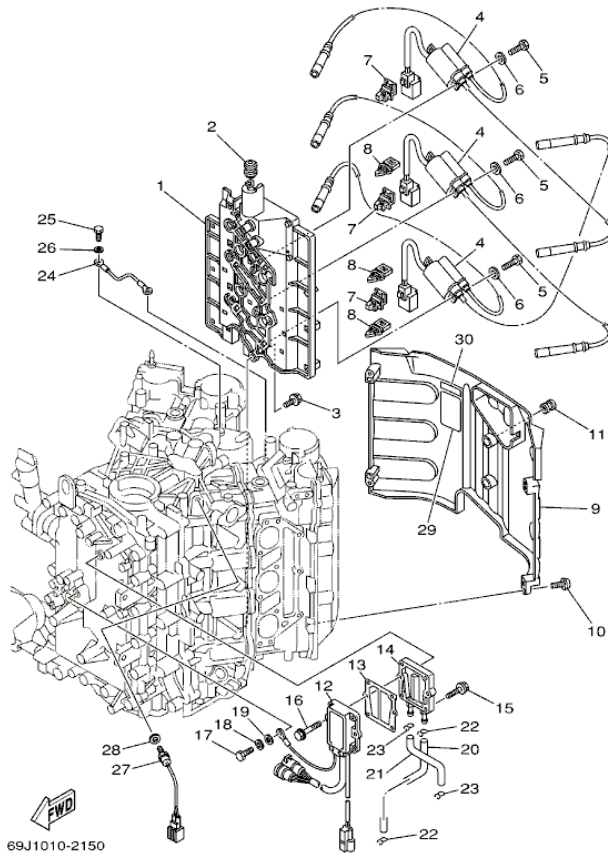
Part Notes

LF200TXRB 2003 / GENERATOR

PART NUMBER	NOTE TEXT
92995-06100-00 	OEM: This part number is among the Top 100 Most Popular Marine Maintenance Parts as of August 2013.

©2013 Yamaha Motor Corporation, U.S.A. All rights reserved.

LF200TXRB 2003 / ELECTRICAL 1



©2013 Yamaha Motor Corporation, U.S.A. All rights reserved.





Part List

LF200TXRB 2003 / ELECTRICAL 1

REF - NO	PART NUMBER	PART NAME	QUANTITY	REMARKS
1	69J-82316-00-00	BRACKET, IGNITION COIL	1	
2	90480-09M21-00	GROMMET	1	
3	90119-06041-00	BOLT, WITH WASHER	6	
4	69J-82310-00-00	IGNITION COIL ASSY	3	
5	97095-06020-00	BOLT	6	
6	92995-06600-00	WASHER	6	
7	90464-12002-00	.CLAMP	3	
8	90464-07M56-00	CLAMP	3	
9	69J-82314-00-00	COVER, IGNITION COIL	1	
10	90110-06038-00	BOLT, HEXAGON SOCKET HEAD	4	
11	663-82317-01-00	DAMPER, IGNITION COIL	2	
12	69J-81960-10-00	RECTIFIER & REGULATOR ASSY	1	
13	69J-81975-A0-00	PLATE, RECTIFIER FITTING	1	
14	69J-81972-01-1S	COVER, RECTIFIER	1	
15	90119-06MA3-00	BOLT, WITH WASHER	4	
16	90119-06MA5-00	BOLT, WITH WASHER	2	
17	97095-06020-00	BOLT	1	
18	92995-06100-00	WASHER, SPRING	1	
19	92995-06600-00	WASHER	1	
20	69J-12482-00-00	PIPE 2	1	
21	69J-12481-00-00	PIPE 1	1	
22	90467-09M03-00	CLIP	2	
23	90467-08M18-00	CLIP	2	
24	69J-82519-00-00	WIRE, EARTH LEAD	1	
25	97095-06012-00	BOLT	2	
26	92995-06600-00	WASHER	2	
27	61A-85790-00-00	THERMOSENSOR ASSY	1	
28	92990-10600-00	WASHER, PLATE	1	
29	69J-83626-00-00	MARK 6	1	
30	67F-12138-40-00	MARK, CAUTION	1	

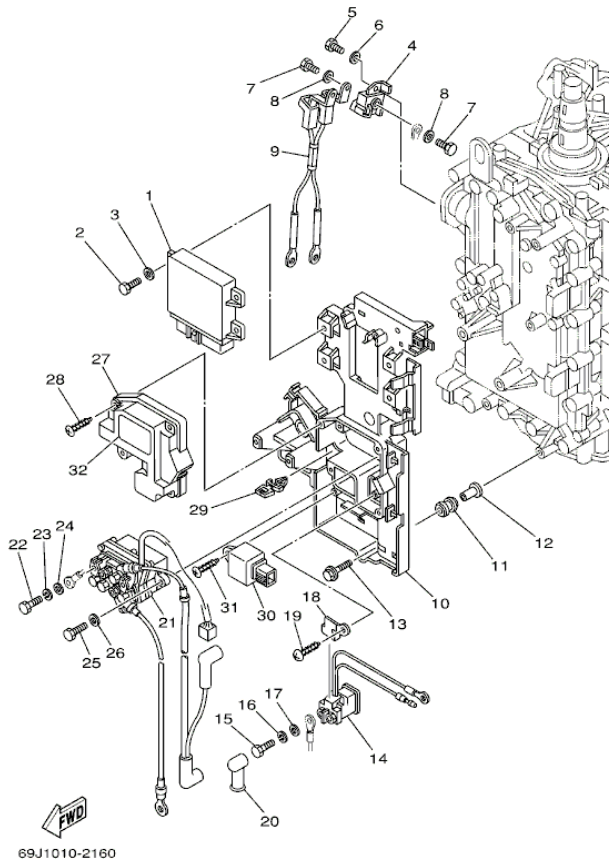
Part Notes

LF200TXRB 2003 / ELECTRICAL 1

PART NUMBER	NOTE TEXT
92995-06100-00 	OEM: This part number is among the Top 100 Most Popular Marine Maintenance Parts as of August 2013.
92990-10600-00 	OEM: This part number is among the Top 100 Most Popular Marine Maintenance Parts as of August 2013.

©2013 Yamaha Motor Corporation, U.S.A. All rights reserved.

LF200TXRB 2003 / ELECTRICAL 2



©2013 Yamaha Motor Corporation, U.S.A. All rights reserved.



Part List

LF200TXRB 2003 / ELECTRICAL 2

REF - NO	PART NUMBER	PART NAME	QUANTITY	REMARKS
1	60L-8591A-01-00	ENGINE CONTROL UNIT ASSY	1	UR F200,LF200
2	97095-06016-00	BOLT	4	
3	92995-06600-00	WASHER	4	
4	69J-81925-00-00	TERMINAL	1	
5	97095-08020-00	BOLT	2	
6	92995-08600-00	WASHER	2	
7	97095-06014-00	BOLT	2	
8	92995-06600-00	WASHER	2	
9	69J-82105-00-00	WIRE HARNESS	1	
10	69J-81948-00-00	BRACKET	1	
11	6A0-82317-00-00	DAMPER, IGNITION COIL	6	
12	624-42542-00-00	PIPE	6	
13	90119-06M59-00	BOLT, WITH WASHER	6	
14	68V-8194A-00-00	RELAY	1	
15	97095-06010-00	BOLT	2	
16	92995-06100-00	WASHER, SPRING	2	
17	92995-06600-00	WASHER	2	
18	68V-81953-00-00	STAY, RELAY	1	
19	97780-60620-00	SCREW, TAPPING	1	
20	6G5-82119-00-00	COVER, LEAD WIRE	1	
21	69J-81950-10-00	RELAY ASSY	1	
22	97095-06010-00	BOLT	2	
23	92995-06100-00	WASHER, SPRING	2	
24	92995-06600-00	WASHER	2	
25	97013-06025-00	BOLT	2	
26	92903-06600-00	WASHER, PLATE	2	
27	69J-81942-00-00	COVER	1	
28	90169-05M00-00	SCREW, TRUSS HEAD TAPPING	4	
29	90464-07M56-00	CLAMP	2	
30	68V-81950-00-00	RELAY ASSY	1	
31	97780-60625-00	SCREW, TAPPING	1	
32	69J-81919-00-00	GRAPHIC, REGULATOR	1	

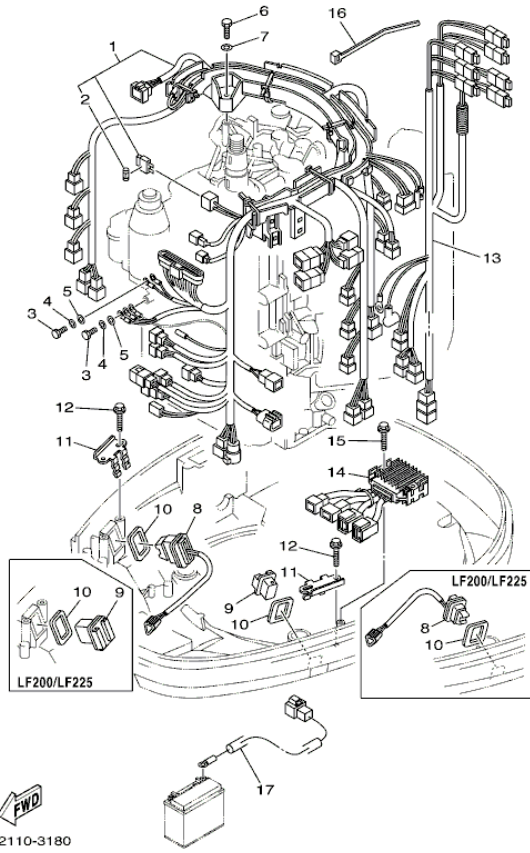
Part Notes

LF200TXRB 2003 / ELECTRICAL 2

PART NUMBER	NOTE TEXT
92995-06100-00 	OEM: This part number is among the Top 100 Most Popular Marine Maintenance Parts as of August 2013.
92995-06100-00 	OEM: This part number is among the Top 100 Most Popular Marine Maintenance Parts as of August 2013.

©2013 Yamaha Motor Corporation, U.S.A. All rights reserved.

LF200TXRB 2003 / ELECTRICAL 3



©2013 Yamaha Motor Corporation, U.S.A. All rights reserved.


Part List

LF200TXRB 2003 / ELECTRICAL 3

REF - NO	PART NUMBER	PART NAME	QUANTITY	REMARKS
1	69J-82590-30-00	WIRE HARNESS ASSY	1	
2	67F-82151-20-00	.FUSE (5A)	2	
3	97095-06020-00	BOLT	2	
4	92995-06100-00	WASHER, SPRING	2	
5	92995-06600-00	WASHER	2	
6	97095-06035-00	BOLT	3	
7	92995-06600-00	WASHER	3	
8	69J-82563-00-00	TRIM & TILT SWITCH ASSY	1	
9	69J-42723-00-8D	COVER, BOTTOM	1	
10	69J-82587-00-00	GASKET	2	
11	69J-83614-00-00	BRACKET	2	
12	90109-06M86-00	BOLT	4	
13	69J-8259N-10-00	WIRE HARNESS ASSY 3	1	
14	69J-83306-00-00	DRIVE UNIT ASSY	1	
15	90109-06M82-00	BOLT	2	
16	90465-13M18-00	CLAMP	6	
17	69J-81949-00-00	WIRE, LEAD (ISOLATOR CABLE)	1	AP

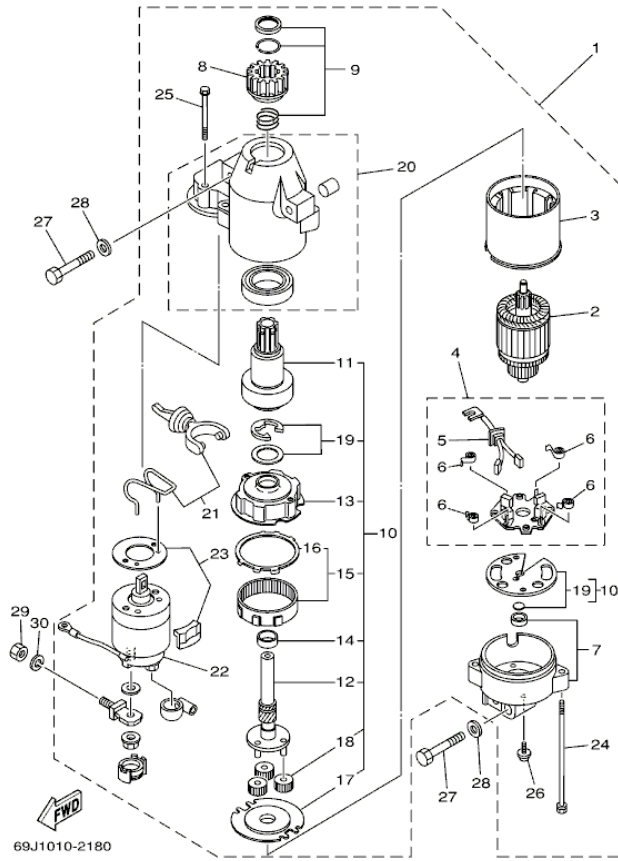
Part Notes

LF200TXRB 2003 / ELECTRICAL 3

PART NUMBER	NOTE TEXT
92995-06100-00 	OEM: This part number is among the Top 100 Most Popular Marine Maintenance Parts as of August 2013.

©2013 Yamaha Motor Corporation, U.S.A. All rights reserved.

LF200TXRB 2003 / STARTING MOTOR



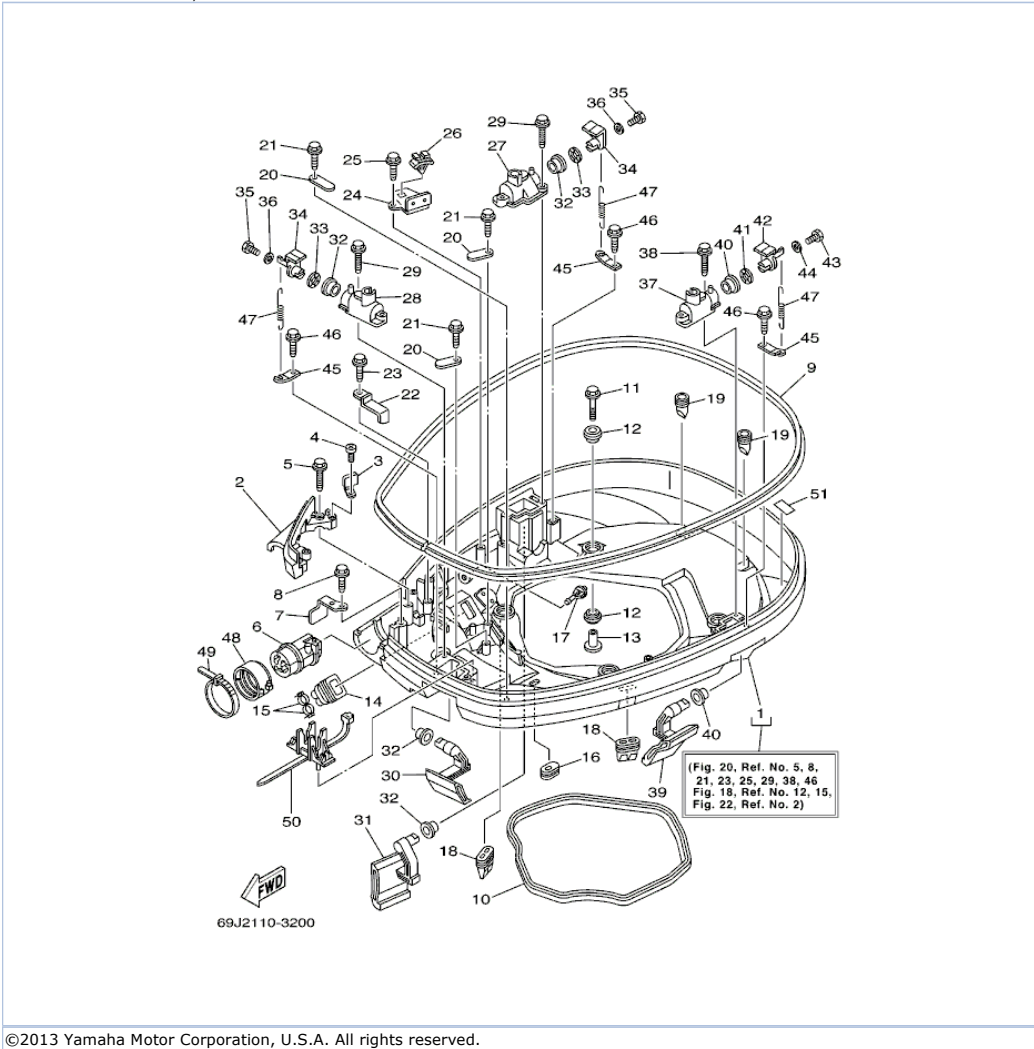
©2013 Yamaha Motor Corporation, U.S.A. All rights reserved.

## Part List

LF200TXRB 2003 / STARTING MOTOR

REF - NO	PART NUMBER	PART NAME	QUANTITY	REMARKS
1	69J-81800-00-00	STARTING MOTOR ASSY	1	
2	67F-81850-00-00	.ARMATURE ASSY	1	
3	67F-81810-00-00	.STATOR ASSY	1	
4	69J-81840-00-00	.BRUSH HOLDER ASSY	1	
5	69J-81801-00-00	..BRUSH SET	1	
6	67F-81813-00-00	..SPRING, BRUSH	4	
7	68F-81820-00-00	.REAR BRACKET ASSY	1	
8	67F-81808-00-00	.PINION ASSY	1	
9	67F-81857-00-00	.PINION STOPPER SET	1	
10	67F-81807-00-00	.GEAR ASSY, STARTING MOTOR	1	
11	67F-81832-00-00	..CLUTCH, OVER RUN	1	
12	67F-81836-00-00	..SHAFT, PINION	1	
13	67F-81821-00-00	..BRACKET, CENTER 1	1	
14	67F-81841-00-00	..BEARING	1	
15	67F-81891-00-00	..GEAR, RING	1	
16	67F-8183R-00-00	...GASKET	1	
17	67F-81830-00-00	..BRACKET, CENTER 2	1	
18	67F-8183T-00-00	.GEAR, IDLER	3	
19	67F-81809-00-00	..WASHER KIT	1	
20	69J-81842-00-00	.COVER	1	
21	69J-81839-00-00	.LEVER ASSY	1	
22	69J-81941-00-00	.STARTER RELAY ASSY	1	
23	69J-81869-00-00	.COVER, DUST	1	
24	6K7-81826-10-00	.BOLT	2	
25	69J-81828-00-00	.SCREW 2	2	
26	67F-81846-00-00	.SCREW	2	
27	97013-08045-00	BOLT	3	
28	92903-08600-00	WASHER, PLATE	3	
29	95333-08600-00	NUT	1	
30	92903-08100-00	WASHER, SPRING	1	

LF200TXRB 2003 / BOTTOM COWLING 1



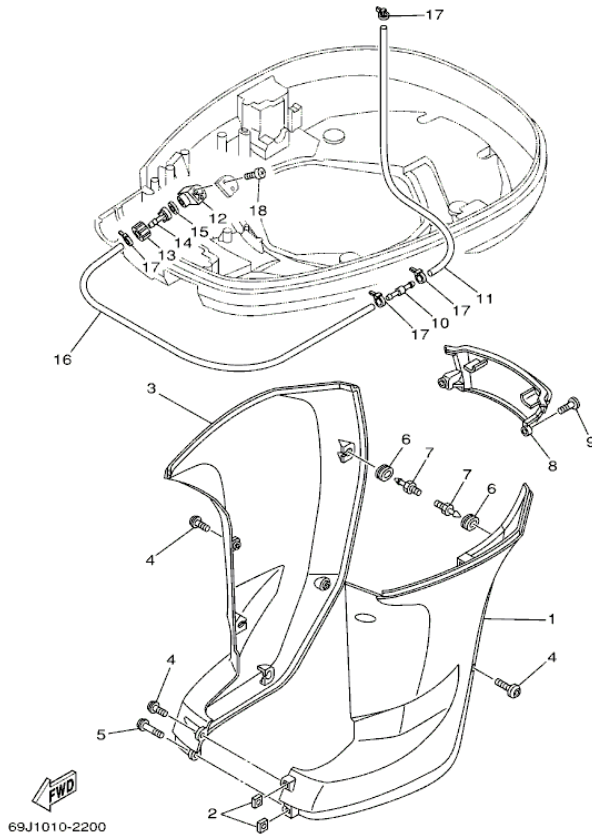


## Part List

LF200TXRB 2003 / BOTTOM COWLING 1

REF - NO	PART NUMBER	PART NAME	QUANTITY	REMARKS
1	69J-42710-01-8D	BOTTOM COWLING ASSY	1	
2	69J-42738-01-5B	PLATE, FITTING	1	
3	69J-42744-10-00	STAY	1	
4	97885-06010-00	SCREW, PAN HEAD	1	
5	90109-06M82-00	BOLT	2	
6	69J-42725-01-00	GROMMET	1	
7	64D-42738-10-5B	PLATE, FITTING	1	
8	90109-06M82-00	BOLT	1	
9	69J-42615-00-00	SEAL	1	
10	69J-42716-00-00	RUBBER, SEAL 1	1	
11	90119-08M22-00	BOLT, WITH WASHER	4	
12	90480-22M81-00	GROMMET	8	
13	90387-08M37-00	COLLAR	4	
14	6H1-42726-20-00	GROMMET	1	
15	90465-11M10-00	CLAMP	2	
16	61A-42727-00-00	GROMMET	1	
17	69J-44391-00-00	NIPPLE, HOSE	1	
18	69J-42717-00-00	RUBBER, SEAL 2	2	
19	61A-42717-00-00	RUBBER, SEAL 2	2	
20	6E5-82588-00-00	PLATE	3	
21	90109-06M81-00	BOLT	3	
22	90462-20001-00	CLAMP	1	
23	90109-06M86-00	BOLT	1	
24	69J-82554-00-00	STAY, NEUTRAL SWITCH	1	
25	90109-06M86-00	BOLT	1	
26	90464-09M47-00	CLAMP	1	
27	68F-42828-00-5B	PLATE, CLAMP	1	
28	69J-42828-00-5B	PLATE, CLAMP	1	
29	90109-06M82-00	BOLT	4	
30	69J-42815-00-8D	LEVER, CLAMP	1	
31	69J-42817-00-8D	LEVER, CLAMP	1	
32	90386-15M73-00	BUSH	4	
33	90206-15M18-00	WASHER, WAVE	2	
34	68F-42818-00-00	LEVER, CLAMP	2	
35	97095-06020-00	BOLT	2	
36	90201-06068-00	WASHER, PLATE	2	
37	68F-42828-10-5B	PLATE, CLAMP	1	
38	90109-06M82-00	BOLT	2	
39	69J-42816-00-8D	LEVER, CLAMP	1	
40	90386-15M73-00	BUSH	2	
41	90206-15M18-00	WASHER, WAVE	1	
42	67F-42818-00-00	LEVER, CLAMP	1	
43	97095-06020-00	BOLT	1	
44	90201-06068-00	WASHER, PLATE	1	
45	64D-43144-00-00	HOOK, SPRING	3	
46	90109-06M86-00	BOLT	3	
47	90506-16M34-00	SPRING, TENSION	3	
48	68F-42753-00-00	FASTNER	1	
49	90464-20258-00	CLAMP	1	
50	68V-82594-00-00	CLAMP	1	
51	67F-82377-00-00	LABEL	1	

LF200TXRB 2003 / BOTTOM COWLING 2



©2013 Yamaha Motor Corporation, U.S.A. All rights reserved.


Part List

LF200TXRB 2003 / BOTTOM COWLING 2

REF - NO	PART NUMBER	PART NAME	QUANTITY	REMARKS
1	69J-42741-00-8D	APRON	1	
2	90173-06001-00	NUT, SQUARE	2	
3	69J-42771-00-8D	APRON	1	
4	90111-06025-00	BOLT,HEX. SOCKET BUTTON	5	
5	90111-06026-00	BOLT,HEX. SOCKET BUTTON	1	
6	90480-14M17-00	GROMMET	6	
7	69J-42774-00-00	STAY, APRON 1	6	
8	69J-45151-00-8D	COVER, UPPER CASING	1	
9	90111-06025-00	BOLT,HEX. SOCKET BUTTON	2	
10	6E5-24379-00-00	PIPE, JOINT 4	1	
11	90445-11012-00	HOSE (L600)	1	
12	68T-12572-00-00	ADAPTER	1	
13	6R3-12581-00-00	JOINT, HOSE 1	1	
14	6R3-12582-00-00	JOINT, HOSE 2	1	
15	6R3-12583-00-00	GASKET, HOSE JOINT	1	
16	90445-11028-00	HOSE (L1050)	1	
17	90465-11M10-00	CLAMP	4	
18	97780-60520-00	SCREW, TAPPING	2	

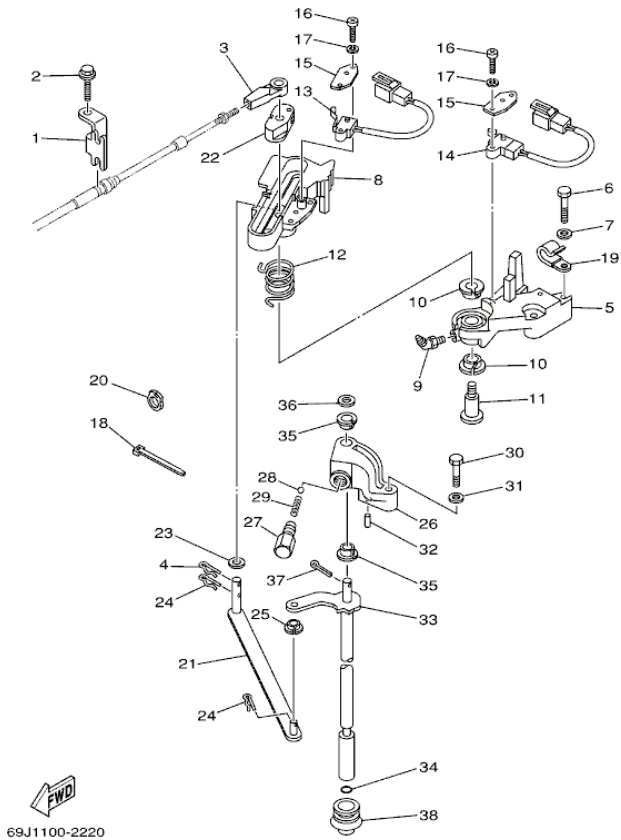
Part Notes

LF200TXRB 2003 / BOTTOM COWLING 2

PART NUMBER	NOTE TEXT
90173-06001-00 	OEM: This part number is among the Top 100 Most Popular Marine Maintenance Parts as of August 2013.

©2013 Yamaha Motor Corporation, U.S.A. All rights reserved.

LF200TXRB 2003 / CONTROL 1



69J1100-2220

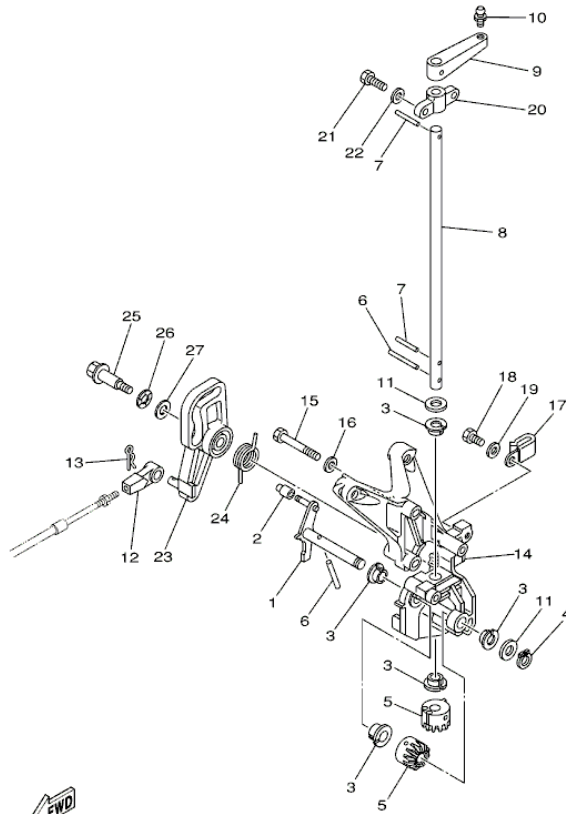
©2013 Yamaha Motor Corporation, U.S.A. All rights reserved.

## Part List

LF200TXRB 2003 / CONTROL 1

REF - NO	PART NUMBER	PART NAME	QUANTITY	REMARKS
1	69J-48531-00-00	BRACKET, REMOTE CONTROL 1	1	
2	90109-06M86-00	BOLT	1	
3	6E5-48344-00-00	CABLE END, REMOTE CONTROL	1	
4	90468-18008-00	CLIP	1	
5	69J-44117-00-1S	BRACKET	1	
6	97095-06035-00	BOLT	2	
7	92995-06600-00	WASHER	2	
8	69J-44176-01-1S	BRACKET	1	
9	93700-06M01-00	NIPPLE, GREASE	1	
10	90386-12069-00	BUSH	2	
11	90109-08019-00	BOLT	1	
12	90508-20020-00	SPRING, TORSION	1	
13	68F-8259F-00-00	SWITCH ASSY	1	
14	69J-8259F-00-00	SWITCH ASSY	1	
15	61A-82588-00-00	PLATE	1	
16	97885-04016-00	SCREW, PAN HEAD	4	
17	92995-04100-00	WASHER	4	
18	90465-11M10-00	CLAMP	1	
19	90465-06M86-00	CLAMP	1	
20	90464-09010-00	CLAMP	1	
21	69J-44121-00-00	LEVER, SHIFT ROD	1	
22	69J-44122-00-00	BUSHING, SHIFT ROD LEVER	1	
23	90202-08M20-00	WASHER, PLATE	1	
24	90468-18008-00	CLIP	2	
25	90386-06M12-00	BUSH	1	
26	69J-44118-00-00	BRACKET	1	
27	648-42715-00-00	BUSHING	1	
28	93501-04M02-00	BALL	1	
29	90501-12082-00	SPRING, COMPRESSION	1	
30	97075-06030-00	BOLT	1	
31	92995-06600-00	WASHER	1	
32	91690-30010-00	PIN, SPRING	1	
33	69J-44120-10-00	HANDLE GEAR SHIFT ASSY	1	UR U
33	69J-44120-00-00	HANDLE GEAR SHIFT ASSY	1	UR X
34	93210-09165-00	O-RING	1	
35	90386-90M90-00	BUSH	2	
36	90201-09M02-00	WASHER, PLATE	1	
37	91490-20015-00	PIN. COTTER	1	
38	6E5-42724-00-00	GROMMET	1	

LF200TXRB 2003 / CONTROL 2



69J1100-2230

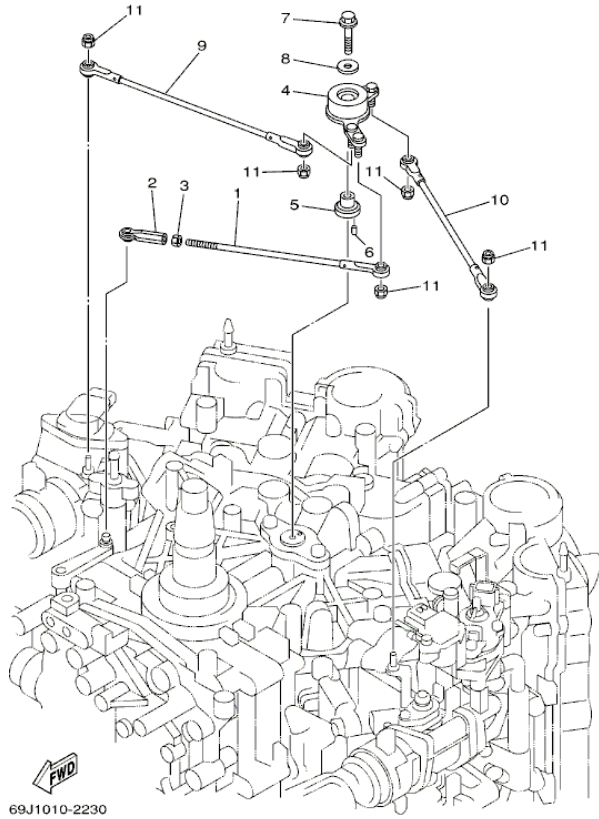
©2013 Yamaha Motor Corporation, U.S.A. All rights reserved.

## Part List

LF200TXRB 2003 / CONTROL 2

REF - NO	PART NUMBER	PART NAME	QUANTITY	REMARKS
1	69J-42154-00-00	LEVER, THROTTLE CONTROL	1	
2	68V-42171-00-00	BUSHING	1	
3	90386-10025-00	BUSH	5	
4	93410-10082-00	CIRCLIP	1	
5	69J-42152-00-94	GEAR	2	
6	91690-30025-00	PIN, SPRING	2	
7	91690-30018-00	PIN, SPRING	2	
8	69J-42153-00-00	SHAFT, THROTTLE CONTROL	1	
9	69J-41632-00-94	LEVER, MAGNETO CONTROL	1	
10	663-85518-00-00	JOINT, BALL	1	
11	90201-10M02-00	WASHER, PLATE	2	
12	6E5-48344-00-00	CABLE END, REMOTE CONTROL	1	
13	90468-18008-00	CLIP	1	
14	69J-41661-00-94	BRACKET 1	1	
15	97095-06045-00	.BOLT	5	
16	92995-06600-00	WASHER	5	
17	90465-06M67-00	CLAMP	2	
18	97095-06014-00	BOLT	2	
19	92995-06600-00	WASHER	2	
20	676-41662-00-00	BRACKET 2	1	
21	97095-06020-00	BOLT	2	
22	92995-06600-00	WASHER	2	
23	69J-41213-00-00	CAM, ACCEL.	1	
24	69J-44135-00-00	SPRING	1	
25	90109-06040-00	BOLT	1	
26	90206-10M04-00	WASHER, WAVE	1	
27	90201-10M02-00	WASHER, PLATE	1	

LF200TXRB 2003 / CONTROL 3



©2013 Yamaha Motor Corporation, U.S.A. All rights reserved.

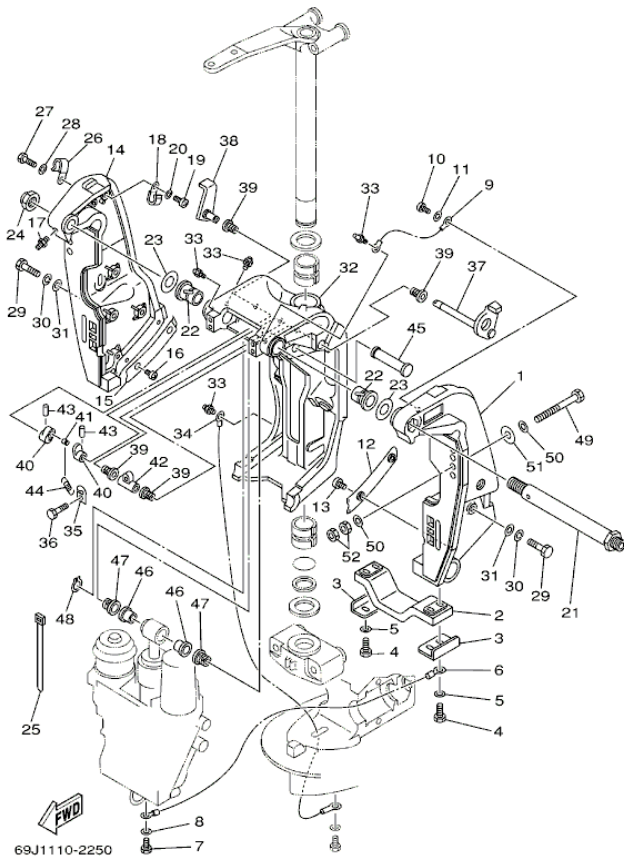


## Part List

LF200TXRB 2003 / CONTROL 3

REF - NO	PART NUMBER	PART NAME	QUANTITY	REMARKS
1	69J-41241-00-00	ROD, LINK	1	
2	682-41237-00-00	JOINT, LINK	1	
3	95380-05600-00	NUT	1	
4	69J-41210-00-00	ACCEL. ARM ASSY	1	
5	69J-41635-00-00	SHAFT, LINK CONNECTING	1	
6	91690-30008-00	.PIN, SPRING	1	
7	95895-06030-00	BOLT, FLANGE	1	
8	90201-06M31-00	WASHER, PLATE	1	
9	69J-41211-00-00	LINK, ACCEL.	1	
10	69J-41636-00-00	ROD, MAGNETO CONTROL	1	
11	95680-05100-00	NUT, U	5	

LF200TXRB 2003 / BRACKET 1



©2013 Yamaha Motor Corporation, U.S.A. All rights reserved.


Part List

LF200TXRB 2003 / BRACKET 1

REF - NO	PART NUMBER	PART NAME	QUANTITY	REMARKS
1	69J-43111-01-8D	BRACKET, CLAMP 1	1	
2	6G5-45251-02-00	ANODE	1	
3	6G5-44526-00-00	PLATE	2	
4	97095-06025-00	BOLT	4	
5	92995-06600-00	WASHER	4	
6	6H1-82148-00-00	WIRE, LEAD 4	1	
7	97095-06010-00	BOLT	1	
8	92995-06600-00	WASHER	1	
9	6E5-82148-00-00	WIRE, LEAD 4	1	
10	97885-06012-00	SCREW, PAN HEAD	1	
11	92995-06600-00	WASHER	1	
12	61A-43132-00-00	WASHER, FRICTION	1	
13	97885-06010-00	SCREW, PAN HEAD	2	
14	69J-43112-01-8D	BRACKET, CLAMP 2	1	
15	61A-43133-00-00	WASHER,FRICTION	1	
16	97885-06010-00	SCREW, PAN HEAD	2	
17	93700-06M03-00	NIPPLE, GREASE	1	
18	90465-08M83-00	CLAMP	1	
19	97885-06012-00	SCREW, PAN HEAD	1	
20	92995-06600-00	WASHER	1	
21	6R3-43131-00-00	BOLT, CLAMP BRACKET	1	
22	90386-25M31-00	BUSH	2	
23	90201-26M59-00	WASHER, PLATE	2	
24	90185-22M11-00	NUT, SELF-LOCKING	1	
25	90465-11M10-00	CLAMP	4	
26	90465-08M83-00	CLAMP	1	
27	97095-06014-00	BOLT	1	
28	92995-06600-00	WASHER	1	
29	97095-10045-00	BOLT	8	
30	92995-10100-00	WASHER	8	
31	92995-10600-00	WASHER	8	
32	61A-43311-21-8D	BRACKET, SWIVEL 1	1	
33	93700-06M03-00	NIPPLE, GREASE	5	
34	69J-82147-00-00	WIRE, LEAD 5	1	
35	6G5-43144-00-00	HOOK, SPRING	1	
36	97095-06010-00	BOLT	1	
37	61A-43181-01-00	LEVER, TILT STOP 1	1	
38	6G5-43185-02-00	LEVER, TILT STOP 2	1	
39	90386-10M16-00	BUSH	4	
40	6G5-43148-00-00	COLLAR, DISTANCE	2	
41	90249-06M19-00	PIN	1	
42	90387-10M02-00	COLLAR	1	
43	91690-30020-00	PIN, SPRING	2	
44	90506-16003-00	SPRING, TENSION	1	
45	6E5-43126-02-00	PIN, UPPER SHOCK MOUNT	1	
46	90386-18M63-00	BUSH	2	
47	90386-18M14-00	BUSH	2	
48	93410-18M02-00	CIRCLIP	1	
49	90101-12M77-00	BOLT (L:150MM)	2	UR
49	90101-12M05-00	BOLT (L:130MM)	4	UR
50	90201-13M01-00	WASHER, PLATE	8	
51	90201-12M05-00	WASHER, PLATE	4	
52	95380-12600-00	NUT	8	

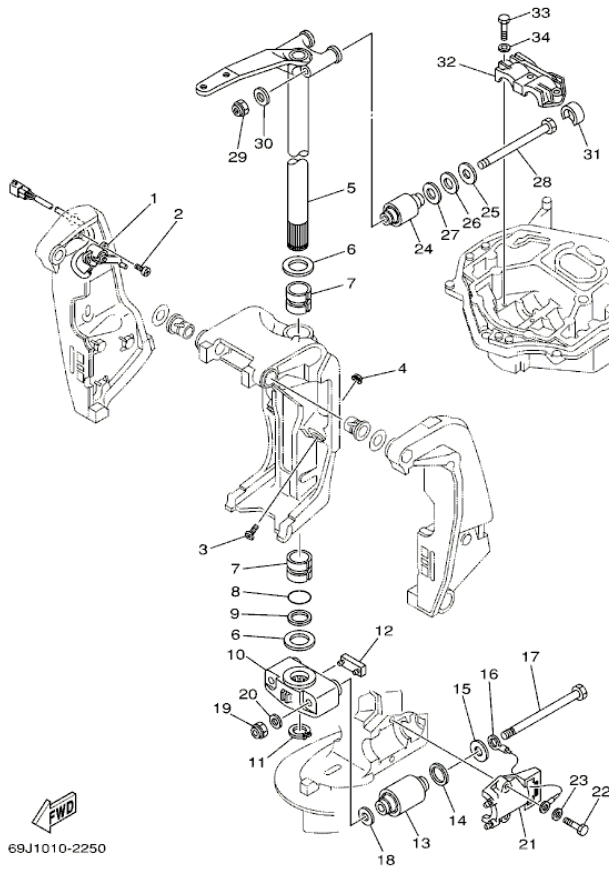
Part Notes

LF200TXRB 2003 / BRACKET 1

PART NUMBER		NOTE TEXT
6G5-45251-02-00		OEM: This part number is among the Top 100 Most Popular Marine Maintenance Parts as of August 2013.
93700-06M03-00		OEM: This part number is among the Top 100 Most Popular Marine Maintenance Parts as of August 2013.
93700-06M03-00		OEM: This part number is among the Top 100 Most Popular Marine Maintenance Parts as of August 2013.

©2013 Yamaha Motor Corporation, U.S.A. All rights reserved.

LF200TXRB 2003 / BRACKET 2



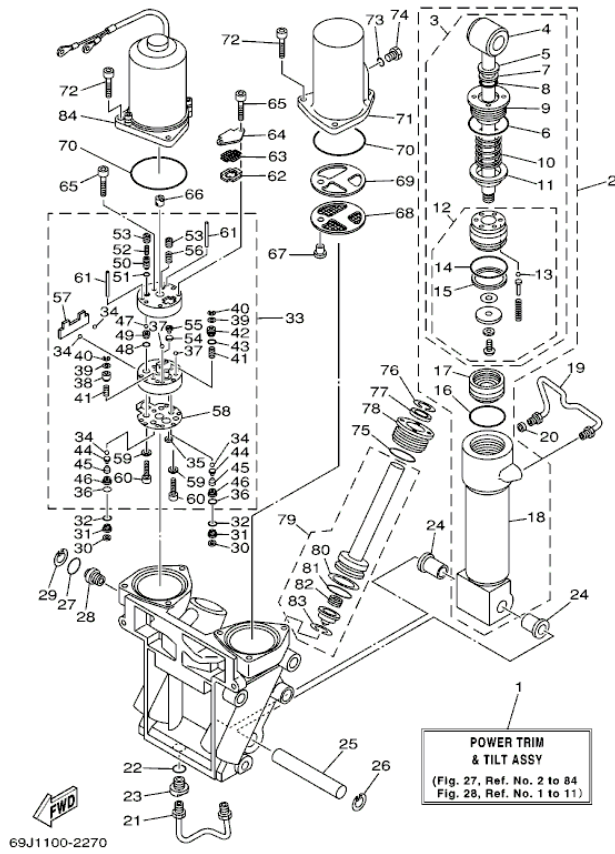
©2013 Yamaha Motor Corporation, U.S.A. All rights reserved.

## Part List

LF200TXRB 2003 / BRACKET 2

REF - NO	PART NUMBER	PART NAME	QUANTITY	REMARKS
1	69J-83672-00-00	TRIM SENDER	1	
2	97885-06016-00	SCREW, PAN HEAD	2	
3	61A-43376-00-00	BOLT, THRUST RECEIVER	2	
4	95780-10300-00	NUT, FLANGE	2	
5	69J-42510-00-8D	STEERING BRACKET ASSY	1	
6	90201-40M00-00	WASHER, PLATE	2	
7	90386-39M89-00	BUSH	2	
8	93210-35321-00	O-RING	1	
9	90202-40M47-00	WASHER, PLATE	1	
10	69J-44551-00-8D	HOUSING, LOWER MOUNT RUBBER 1	1	
11	93410-37M04-00	CIRCLIP	1	
12	61A-44575-00-00	DAMPER, LOWER MOUNT RUBBER	1	
13	66K-44555-00-94	MOUNT DAMPER, LOWER SIDE	2	
14	90202-32M19-00	WASHER, PLATE	2	
15	90201-16M55-00	WASHER, PLATE	2	
16	6E5-82149-00-00	WIRE, LEAD 3	1	
17	90109-14M48-00	BOLT	2	
18	90201-15M58-00	WASHER, PLATE	2	
19	90185-14M00-00	NUT, SELF-LOCKING	2	
20	92995-14600-00	WASHER	2	
21	61A-44552-01-94	HOUSING, LOWER MOUNT RUBBER	2	
22	97095-10045-00	BOLT	4	
23	92995-10600-00	WASHER	4	
24	66K-44514-00-94	MOUNT DAMPER, UPPER SIDE	2	
25	90201-16M01-00	WASHER, PLATE	2	
26	90202-28M46-00	WASHER, PLATE	2	
27	90201-28M01-00	WASHER, PLATE	2	
28	90109-14M10-00	BOLT	2	
29	90185-14M00-00	NUT, SELF-LOCKING	2	
30	92995-14600-00	WASHER	2	
31	69J-44533-00-00	DAMPER, UPPER MOUNT RUBBER	2	
32	61A-44511-00-94	COVER, UPPER MOUNT	1	
33	97095-10045-00	BOLT	3	
34	92995-10600-00	WASHER	3	

LF200TXRB 2003 / POWER TRIM TILT ASSY 1



©2013 Yamaha Motor Corporation, U.S.A. All rights reserved.

## Part List



LF200TXRB 2003 / POWER TRIM TILT ASSY 1

REF - NO	PART NUMBER	PART NAME	QUANTITY	REMARKS
1	69J-43800-00-4D	POWER TRIM & TILT ASSY	1	
2	69J-43840-00-00	POWER TILT ASSY	1	
3	69J-43810-00-00	.TILT PISTON SUB ASSY	1	
4	69J-43801-00-00	..ROD	1	
5	93106-19N50-00	..OIL SEAL	1	
6	6H1-43861-00-00	..O-RING	1	
7	6H1-43872-00-00	..RING, BACK UP	1	
8	61A-4389H-00-00	..O-RING	1	
9	61A-43811-00-00	..SCREW, CYLINDER END	1	
10	69J-4384H-00-00	..SPRING	1	
11	69J-4382E-00-00	..ADAPTOR 2	1	
12	69J-4380P-00-00	..PISTON SUB ASSY	1	
13	93505-32038-00	...BALL	5	
14	61A-43861-00-00	...O-RING	1	
15	61A-43871-00-00	...RING, BACK UP	1	
16	61A-43861-00-00	.O-RING	1	
17	6H1-43814-00-00	.PISTON, FREE	1	
18	61A-43813-01-00	.CYLINDER, TILT	1	
19	61A-43835-01-00	PIPE	1	
20	69J-4388J-00-00	PLUG 2	1	
21	69J-43833-00-00	PIPE	1	
22	93210-17239-00	O-RING	1	
23	69J-4388E-00-00	BOLT ,SCREW	1	
24	90386-18M14-00	BUSH	2	
25	61A-43818-00-00	PIN, LOWER SHOCK MOUNT	1	
26	61A-43876-00-00	RING, SNAP	1	
27	93210-18397-00	O-RING	1	
28	69J-43845-00-00	SCREW, MANUAL RELEASE	1	
29	6H1-43875-00-00	RING, SNAP	1	
30	69J-4381C-00-00	.FILTER 3	2	
31	69J-43899-00-00	PLATE STOPPER	2	
32	69J-4389J-00-00	.O-RING	2	
33	69J-43830-00-00	GEAR PUMP ASSY	1	
34	93505-32038-00	.BALL	4	
35	69J-4381C-00-00	.FILTER 3	1	
36	69J-4389J-00-00	.O-RING	2	
37	93503-16003-00	.BALL	2	
38	69J-4384M-00-00	.PISTON, SHUTTLE 2	1	
39	69A-4384F-00-00	.SEAL, MAIN VALVE	2	
40	99001-03600-00	.CIRCLIP	2	
41	69J-43894-00-00	.SPRING, SHUTTLE RETURN	2	
42	69J-43841-00-00	.PISTON, SHUTTLE	1	
43	6H1-43883-00-00	.O-RING	1	
44	65W-4386A-00-00	.PIN, ABSORBER VALVE	2	
45	69J-43853-00-00	.SPRING, MAIN VALVE	2	
46	69J-43893-00-00	.WASHER	2	
47	93501-08001-00	.BALL	2	
48	93210-08391-00	.O-RING	1	
49	69J-43851-00-00	.SEAT, RELIEF VALVE	1	
50	69J-43844-00-00	.PIN, VALVE SUPPORT	1	
51	93210-064A5-00	.O-RING	1	
52	69J-43855-00-00	.SPRING, UP RELIEF	1	
53	69J-43843-00-00	.SCREW, VALVE LOCK	2	
54	6H1-4384G-11-00	.SEAL, RELIEF VALVE	1	
55	6H1-43844-10-00	.PIN, VALVE SUPPORT	1	
56	6H1-43856-10-00	.SPRING, DOWN RELIEF	1	
57	69J-43854-00-00	.SPRING, MANUAL RELEASE	1	
58	69J-4384G-00-00	.SEAL, RELIEF VALVE	1	
59	CS3-4387G-00-00	.WASHER	2	
60	91318-05025-00	.BOLT	2	
61	93604-35236-00	.PIN, DOWEL	2	
62	69J-43871-00-00	RING, BACK UP	1	
63	69J-43816-00-00	FILTER 1	1	
64	69J-4381J-00-00	PLATE	1	
65	91318-05040-00	BOLT	3	
66	69J-43831-00-00	CONNECTOR, SHAFT	1	

67	69J-4388H-00-00	PLUG	1	
68	69J-43817-00-00	FILTER 2	1	
69	69J-4388F-00-00	SPACER	1	
70	6H1-43869-00-00	O-RING	2	
71	69J-43828-00-00	BODY, RESERVOIR	1	
72	69J-43888-00-00	BOLT, SOCKET	6	
73	93210-09165-00	O-RING	1	
74	6H1-43829-00-00	PLUG, RESERVOIR	1	
75	61A-43861-00-00	O-RING	2	
76	6T4-43875-00-00	.RING, SNAP	2	
77	61A-43822-00-00	SEAL, TRIM DUST	2	
78	61A-43821-00-00	SCREW, TRIM CYLINDER END	2	
79	69J-43820-00-00	TRIM PISTON SUB ASSY	2	
80	61A-43874-00-00	.RING, BACK UP	1	
81	61A-43864-00-00	.O-RING	1	
82	61A-4384H-10-00	.SPRING	1	
83	61A-43875-10-00	.RING, SNAP	1	
84	69J-43880-00-00	MOTOR ASSY	1	REFER TO FIG.28

Part Notes

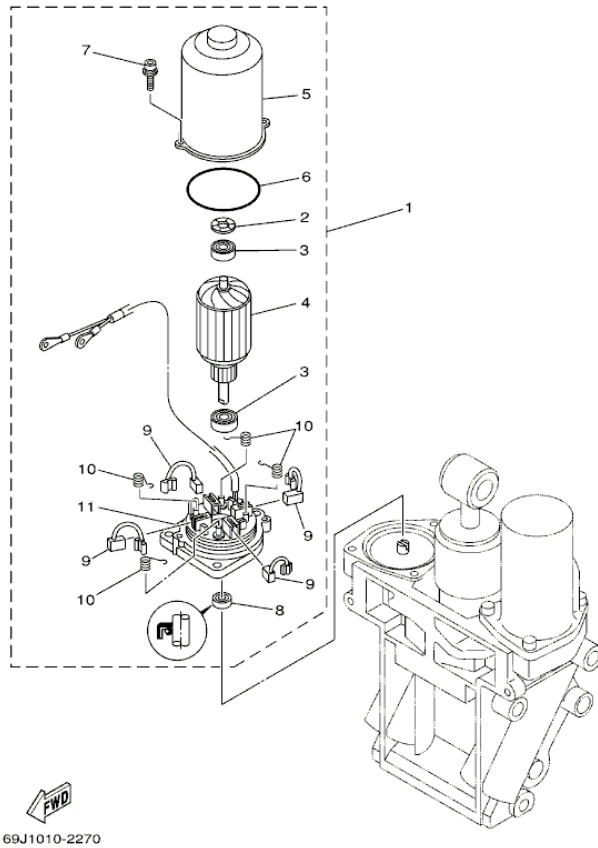
LF200TXRB 2003 / POWER TRIM TILT ASSY 1

PART NUMBER		NOTE TEXT
6T4-43875-00-00		OEM: This part number is among the Top 100 Most Popular Marine Maintenance Parts as of August 2013.
61A-43822-00-00		OEM: This part number is among the Top 100 Most Popular Marine Maintenance Parts as of August 2013.

©2013 Yamaha Motor Corporation, U.S.A. All rights reserved.



LF200TXRB 2003 / POWER TRIM TILT ASSY 2



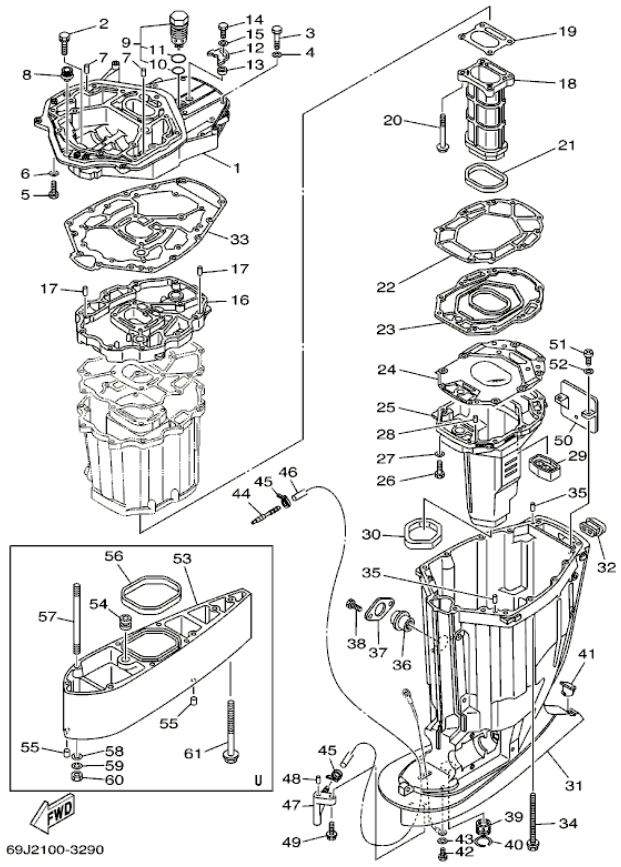
69J1010-2270

## Part List

LF200TXRB 2003 / POWER TRIM TILT ASSY 2

REF - NO	PART NUMBER	PART NAME	QUANTITY	REMARKS
1	69J-43880-00-00	MOTOR ASSY	1	
2	90206-14N50-00	.WASHER, WAVE	1	
3	93399-999T6-00	.BEARING	2	
4	69J-43805-00-00	.ARMATURE ASSY	1	
5	69J-43804-00-00	.STATOR ASSY	1	
6	69J-43861-00-00	.O-RING	1	
7	69J-43886-00-00	.BOLT	2	
8	69J-43882-00-00	.OIL SEAL	1	
9	69J-43891-00-00	.BRUSH 1	4	
10	69J-4386K-00-00	.SPRING, BRUSH	4	
11	69J-43881-00-00	.FRAME, END	1	

LF200TXRB 2003 / UPPER CASING



©2013 Yamaha Motor Corporation, U.S.A. All rights reserved.








## Part List

LF200TXRB 2003 / UPPER CASING

REF - NO	PART NUMBER	PART NAME	QUANTITY	REMARKS
1	69J-41137-00-94	GUIDE, EXHAUST	1	
2	90119-08M79-00	BOLT, WITH WASHER	2	
3	97075-10045-00	BOLT	7	
4	92995-10600-00	WASHER	7	
5	97075-10035-00	BOLT	7	
6	92995-10600-00	WASHER	7	
7	93608-16M16-00	PIN, DOWEL	2	
8	6E5-42724-00-00	GROMMET	1	
9	69J-11371-00-00	PRESSURE CONTROL VALVE ASSY	1	
10	93210-28543-00	.O-RING	1	
11	93210-33MG4-00	.O-RING	1	
12	69J-12233-00-00	PLATE, GUIDE STOPPER 1	1	
13	90387-06037-00	COLLAR	1	
14	97095-06020-00	BOLT	1	
15	92995-06600-00	WASHER	1	
16	69J-41131-00-94	MANIFOLD, EXT. 1	1	
17	93608-16M16-00	PIN, DOWEL	2	
18	69J-41132-00-5B	MANIFOLD, EXHAUST	1	
19	69J-41134-A0-00	.GASKET, EXHAUST MANIFOLD	1	
20	97575-08590-00	BOLT, WITH WASHER	4	
21	69J-41138-00-00	.SEAL, EXT. 1	1	
22	69J-41135-A0-00	.GASKET, EXHAUST MANIFOLD	1	
23	69J-45181-00-5B	PLATE	1	
24	69J-41136-A0-00	.GASKET, EXHAUST MANIFOLD 4	1	
25	69J-14711-00-5B	MUFFLER 1	1	
26	97075-08035-00	BOLT	10	
27	92995-08600-00	WASHER	10	
28	93606-19M23-00	PIN, DOWEL	2	
29	69J-45127-00-00	.SEAL	1	
30	69J-45123-00-00	.GASKET, MUFFLER	1	
31	69J-45111-01-8D	CASING, UPPER	1	
32	69J-42769-00-00	SEAL, RUBBER	1	
33	69J-45113-00-00	.GASKET, UPPER CASING	1	
34	90119-10007-00	BOLT, WITH WASHER	6	
35	93608-16M16-00	PIN, DOWEL	2	
36	69J-15316-00-00	DAMPER 1	1	
37	69J-45152-00-8D	COVER, UPPER CASING 2	1	
38	97095-06014-00	BOLT	2	
39	69J-45318-00-00	BUSHING, DRIVE SHAFT	1	
40	93420-36M01-00	CIRCLIP	1	
41	61A-45155-00-00	CAP	1	
42	97095-06010-00	BOLT	1	
43	92995-06600-00	WASHER	1	
44	6E5-83558-00-00	END, NIPPLE	1	
45	90465-11M10-00	CLAMP	2	
46	90445-07012-00	HOSE (L1457)	1	UR U
46	90445-07010-00	HOSE (L1330)	1	UR X
47	61A-45378-00-00	NIPPLE, HOSE	1	
48	93606-12019-00	.PIN, DOWEL	1	
49	90119-06M17-00	BOLT, WITH WASHER	1	
50	69J-14624-01-00	COVER, EXHAUST	1	
51	97880-06016-00	SCREW, PAN HEAD	2	
52	92990-06600-00	WASHER, PLATE	2	
53	69J-45211-01-8D	EXTENSION	1	U
54	6E5-44366-00-00	DAMPER, WATER SEAL 2	1	U
55	93608-12M05-00	PIN, DOWEL	2	U
56	69J-45159-00-00	DAMPER	1	U
57	90116-10012-00	BOLT, STUD	6	U
58	92990-10600-00	WASHER, PLATE	6	U
59	92990-10100-00	WASHER, SPRING	6	U
60	95380-10600-00	NUT	6	U
61	90119-10008-00	BOLT, WITH WASHER	1	U

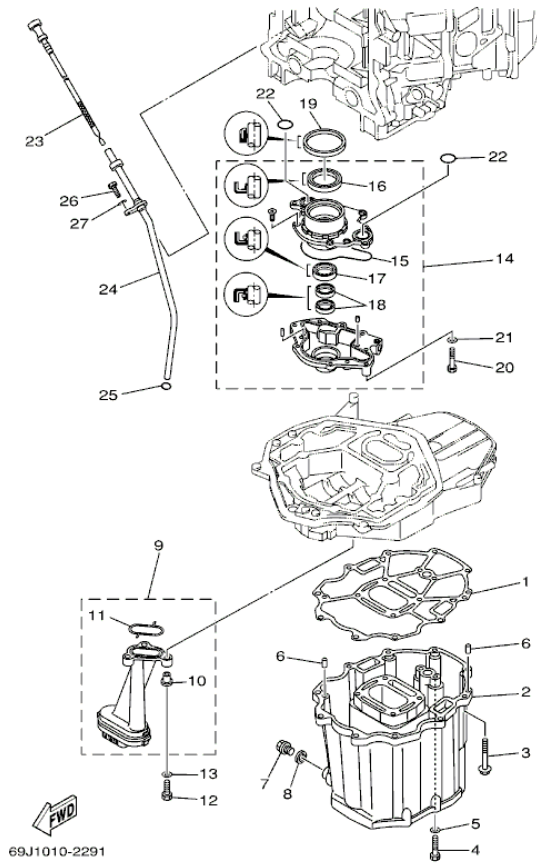
Part Notes

LF200TXRB 2003 / UPPER CASING

PART NUMBER	NOTE TEXT
69J-41134-A0-00	 OEM: If you are replacing damaged exhaust components on a 3.1L V6 Fourstroke, two kits have been developed to make choosing and ordering the correct parts easier. Ordering either MAR-EXHKT-03-00 (EXH KIT F200-225 for 2002-2003 models) or MAR-EXHKT-04-00 (EXH KIT F200-250 2004 models and up) will get you everything needed to rebuild the entire exhaust system.
69J-41138-00-00	 OEM: If you are replacing damaged exhaust components on a 3.1L V6 Fourstroke, two kits have been developed to make choosing and ordering the correct parts easier. Ordering either MAR-EXHKT-03-00 (EXH KIT F200-225 for 2002-2003 models) or MAR-EXHKT-04-00 (EXH KIT F200-250 2004 models and up) will get you everything needed to rebuild the entire exhaust system.
69J-41135-A0-00	 OEM: If you are replacing damaged exhaust components on a 3.1L V6 Fourstroke, two kits have been developed to make choosing and ordering the correct parts easier. Ordering either MAR-EXHKT-03-00 (EXH KIT F200-225 for 2002-2003 models) or MAR-EXHKT-04-00 (EXH KIT F200-250 2004 models and up) will get you everything needed to rebuild the entire exhaust system.
69J-45127-00-00	 OEM: If you are replacing damaged exhaust components on a 3.1L V6 Fourstroke, two kits have been developed to make choosing and ordering the correct parts easier. Ordering either MAR-EXHKT-03-00 (EXH KIT F200-225 for 2002-2003 models) or MAR-EXHKT-04-00 (EXH KIT F200-250 2004 models and up) will get you everything needed to rebuild the entire exhaust system.
69J-45123-00-00	 OEM: If you are replacing damaged exhaust components on a 3.1L V6 Fourstroke, two kits have been developed to make choosing and ordering the correct parts easier. Ordering either MAR-EXHKT-03-00 (EXH KIT F200-225 for 2002-2003 models) or MAR-EXHKT-04-00 (EXH KIT F200-250 2004 models and up) will get you everything needed to rebuild the entire exhaust system.
92990-06600-00	 OEM: This part number is among the Top 100 Most Popular Marine Maintenance Parts as of August 2013.
92990-10600-00	 OEM: This part number is among the Top 100 Most Popular Marine Maintenance Parts as of August 2013.

©2013 Yamaha Motor Corporation, U.S.A. All rights reserved.

LF200TXRB 2003 / OIL PAN



©2013 Yamaha Motor Corporation, U.S.A. All rights reserved.



Part List

LF200TXRB 2003 / OIL PAN

REF - NO	PART NUMBER	PART NAME	QUANTITY	REMARKS
1	69J-15312-00-00	.GASKET, OIL PAN	1	
2	69J-15311-00-5B	OIL PAN	1	
3	97575-08560-00	BOLT, WITH WASHER	10	
4	97095-08035-00	BOLT	2	
5	92995-08600-00	WASHER	2	
6	93608-16M16-00	PIN, DOWEL	2	
7	90340-14M06-00	PLUG, STRAIGHT SCREW	1	
8	90430-14M09-00	.GASKET	1	
9	69J-13411-00-00	STRAINER, OIL	1	
10	90387-06M64-00	.COLLAR	3	
11	69J-13415-00-00	.SEAL, OIL STRAINER	1	
12	97027-06025-00	BOLT, HEXAGON	3	
13	92907-06600-00	WASHER, PLATE	3	
14	69J-13300-00-00	OIL PUMP ASSY	1	
15	69J-13329-00-00	.GASKET, PUMP COVER	1	
16	69J-13338-00-00	.OIL SEAL	1	
17	69J-13119-00-00	.OIL SEAL	1	
18	69J-13631-00-00	.OIL SEAL	2	
19	69J-11355-00-00	.SEAL, CYLINDER 1	1	
20	97095-06040-00	.BOLT	4	
21	92995-06600-00	WASHER	4	
22	93210-25552-00	O-RING	2	
23	69J-15362-00-00	PLUG, OIL LEVEL	1	
24	69J-15377-00-00	GUIDE, INLET	1	
25	93210-19M13-00	.O-RING	1	
26	97095-06020-00	BOLT	1	
27	92995-06600-00	WASHER	1	

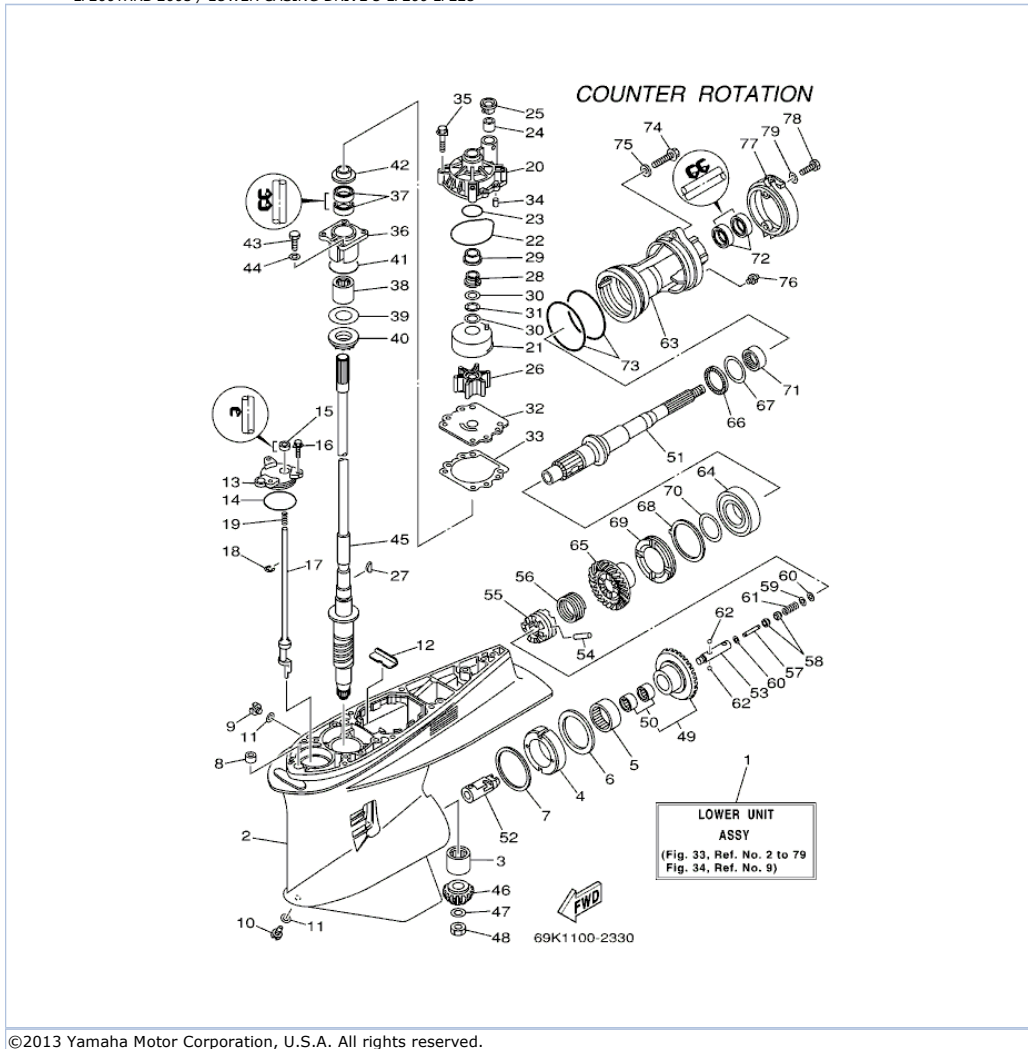
Part Notes

LF200TXRB 2003 / OIL PAN

PART NUMBER	NOTE TEXT
90430-14M09-00	 OEM: This part number is among the Top 100 Most Popular Marine Maintenance Parts as of August 2013.
69J-13411-00-00	 OEM: If you are replacing damaged exhaust components on a 3.1L V6 Fourstroke, two kits have been developed to make choosing and ordering the correct parts easier. Ordering either MAR-EXHKT-03-00 (EXH KIT F200-225 for 2002-2003 models) or MAR-EXHKT-04-00 (EXH KIT F200-250 2004 models and up) will get you everything needed to rebuild the entire exhaust system.

©2013 Yamaha Motor Corporation, U.S.A. All rights reserved.

LF200TXRB 2003 / LOWER CASING DRIVE 3 LF200 LF225



©2013 Yamaha Motor Corporation, U.S.A. All rights reserved.



## Part List











LF200TXRB 2003 / LOWER CASING DRIVE 3 LF200 LF225

REF - NO	PART NUMBER	PART NAME	QUANTITY	REMARKS
1	69K-45300-31-8D	LOWER UNIT ASSY	1	UR U
1	69K-45300-21-8D	LOWER UNIT ASSY	1	UR X
2	61A-45301-10-8D	CASING, LOWER	1	
3	93311-832V2-00	BEARING	1	
4	61B-45538-01-00	SPACER 1	1	
5	93315-660W3-00	BEARING	1	
6	93341-670V0-00	BEARING	1	
7	61A-45567-00-10	SHIM (T:0.10MM)	1	UR
7	61A-45567-00-12	SHIM (T:0.12MM)	1	UR
7	61A-45567-00-15	SHIM (T:0.15MM)	1	UR
7	61A-45567-00-50	SHIM (T:0.50MM)	1	UR
7	61A-45567-00-30	SHIM (T:0.30MM)	1	UR
7	61A-45567-00-40	SHIM (T:0.40MM)	1	UR
7	61A-45567-00-18	SHIM (T:0.18MM)	1	UR
8	663-44366-00-00	DAMPER, WATER SEAL 2	1	
9	90340-08002-00	PLUG, STRAIGHT SCREW	1	
10	688-45341-10-00	PLUG, DRAIN	1	
11	90430-08020-00	.GASKET	2	
12	61A-45376-00-94	GUIDE, SEAL DAMPER	1	
13	61A-45321-01-00	PLATE	1	
14	93210-64488-00	.O-RING	1	
15	93106-09014-00	.OIL SEAL	1	
16	90119-06M10-00	BOLT, WITH WASHER	3	
17	69K-44150-00-00	SHIFT CAM ASSY	1	
18	99001-08600-00	CIRCLIP	1	
19	90501-11M10-00	SPRING, COMPRESSION	1	
20	61A-44311-01-00	HOUSING, WATER PUMP	1	
21	61A-44322-02-00	.INSERT, CARTRIDGE	1	
22	93210-86M38-00	.O-RING	1	
23	93210-37160-00	.O-RING	1	
24	6E5-44365-00-00	DAMPER, WATER SEAL 1	1	
25	6E5-44312-00-00	COVER, WATER PUMP HOUSING	1	
26	6E5-44352-01-00	.IMPELLER	1	
27	90280-04M05-00	.KEY, WOODRUFF	1	
28	61A-45538-00-00	SPACER 1	1	
29	61A-45527-00-00	COLLAR, DRIVE SHAFT	1	
30	90201-22M01-00	WASHER, PLATE	2	
31	90206-22M19-00	WASHER, WAVE	1	
32	6G5-44323-00-00	.OUTER PLATE, CARTRIDGE	1	
33	6E5-44315-A0-00	.GASKET, WATER PUMP	1	
34	93606-12019-00	.PIN, DOWEL	2	
35	90119-08M14-00	.BOLT, WITH WASHER	4	
36	61A-45331-00-94	HOUSING, BEARING	1	
37	93101-28M16-00	.OIL SEAL	2	
38	93317-330U2-00	BEARING	1	
39	61A-45587-00-10	SHIM (T:0.10MM)	1	UR
39	61A-45587-00-12	SHIM (T:0.12MM)	1	UR
39	61A-45587-00-15	SHIM (T:0.15MM)	1	UR
39	61A-45587-00-50	SHIM (T:0.50MM)	1	UR
39	61A-45587-00-30	SHIM (T:0.30MM)	1	UR
39	61A-45587-00-40	SHIM (T:0.40MM)	1	UR
39	61A-45587-00-18	SHIM (T:0.18MM)	1	UR
40	93341-930U9-00	BEARING	1	
41	93210-55M14-00	.O-RING	1	
42	6E5-45344-00-00	COVER, OIL SEAL	1	
43	97095-08025-00	BOLT	4	
44	92995-08600-00	WASHER	4	
45	69J-45501-00-00	DRIVE SHAFT COMP.	1	UR X
45	61A-45501-30-00	DRIVE SHAFT COMP.	1	UR U
46	69J-45551-00-00	PINION (15T)	1	
47	90201-16M00-00	WASHER, PLATE	1	
48	90170-16M19-00	NUT	1	
49	69K-45560-00-00	GEAR 1 (30T)	1	
50	93317-428U7-00	.BEARING	2	
51	69K-45611-00-00	SHAFT, PROPELLER	1	
52	69K-45641-00-00	SHIFTER	1	

53	61A-45634-01-00	SLIDE, SHIFT	1	
54	61A-45632-00-00	PIN, CROSS	1	
55	69J-45631-00-00	CLUTCH, DOG	1	
56	61A-45633-00-00	RING, CROSS PIN	1	
57	6H1-45668-00-00	SHAFT, FREE 1	1	
58	61A-45635-00-00	PLUNGER, SHIFT	2	
59	90201-02M00-00	WASHER, PLATE	1	
60	90183-02M03-00	NUT, SPRING	2	
61	90501-10M77-00	SPRING, COMPRESSION	1	
62	93501-04011-00	.BALL	2	
63	69K-45332-00-94	HOUSING, BEARING	1	
64	93332-00048-00	BEARING	1	
65	69K-45571-00-00	GEAR 2 (30T)	1	
66	93341-440U5-00	BEARING	1	
67	6K1-45578-01-10	SHIM (T:0.10MM)	1	UR
67	6K1-45578-01-12	SHIM (T:0.12MM)	1	UR
67	6K1-45578-01-15	SHIM (T:0.15MM)	1	UR
67	6K1-45578-01-50	SHIM (T:0.50MM)	1	UR
67	6K1-45578-01-30	SHIM (T:0.30MM)	1	UR
67	6K1-45578-01-40	SHIM (T:0.40MM)	1	UR
67	6K1-45578-01-18	SHIM (T:0.18MM)	1	UR
68	61B-45383-00-00	WASHER, CLAW	1	
69	69K-45384-00-00	NUT	1	
70	69K-45577-00-00	SHIM (T:0.10MM)	1	UR
70	69K-45577-10-00	SHIM (T:0.12MM)	1	UR
70	69K-45577-20-00	SHIM (T:0.15MM)	1	UR
70	69K-45577-60-00	SHIM (T:0.50MM)	1	UR
70	69K-45577-40-00	SHIM (T:0.30MM)	1	UR
70	69K-45577-50-00	SHIM (T:0.40MM)	1	UR
70	69K-45577-30-00	SHIM (T:0.18MM)	1	UR
71	93315-43061-00	BEARING	1	
72	93101-30M17-00	.OIL SEAL	2	
73	93211-04384-00	.O-RING	2	
74	90105-08036-00	BOLT, FLANGE	2	
75	90201-08023-00	WASHER, PLATE	2	
76	93700-09M00-00	NIPPLE, GREASE	1	
77	69J-45361-00-8D	CAP, LOWER CASING	1	
78	97095-08020-00	BOLT	2	
79	92995-08600-00	WASHER	2	

Part Notes

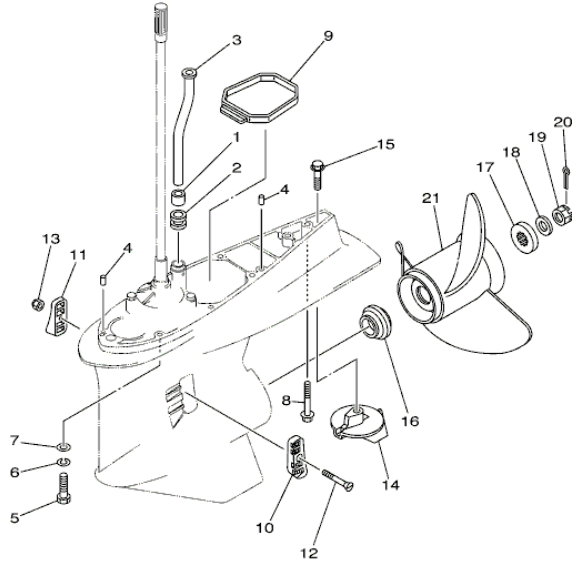
LF200TXRB 2003 / LOWER CASING DRIVE 3 LF200 LF225

PART NUMBER		NOTE TEXT
90430-08020-00		OEM: This part number is among the Top 100 Most Popular Marine Maintenance Parts as of August 2013.
93106-09014-00		OEM: This part number is among the Top 100 Most Popular Marine Maintenance Parts as of August 2013.
61A-44311-01-00		OEM: This part number is among the Top 100 Most Popular Marine Maintenance Parts as of August 2013.
93210-86M38-00		OEM: This part number is among the Top 100 Most Popular Marine Maintenance Parts as of August 2013.
6E5-44352-01-00		OEM: This part number is among the Top 100 Most Popular Marine Maintenance Parts as of August 2013.
61A-45538-00-00		OEM: This part number is among the Top 100 Most Popular Marine Maintenance Parts as of August 2013.
61A-45527-00-00		OEM: This part number is among the Top 100 Most Popular Marine Maintenance Parts as of August 2013.
90201-22M01-00		OEM: This part number is among the Top 100 Most Popular Marine Maintenance Parts as of August 2013.
93101-28M16-00		OEM: This part number is among the Top 100 Most Popular Marine Maintenance Parts as of August 2013.
93101-30M17-00		OEM: This part number is among the Top 100 Most Popular Marine Maintenance Parts as of August 2013.

©2013 Yamaha Motor Corporation, U.S.A. All rights reserved.

LF200TXRB 2003 / LOWER CASING DRIVE 4 LF200 LF225

COUNTER ROTATION



  
69K2100-3340

©2013 Yamaha Motor Corporation, U.S.A. All rights reserved.




Part List

LF200TXRB 2003 / LOWER CASING DRIVE 4 LF200 LF225

REF - NO	PART NUMBER	PART NAME	QUANTITY	REMARKS
1	6E5-44365-00-00	DAMPER, WATER SEAL 1	1	
2	6E5-44366-00-00	DAMPER, WATER SEAL 2	1	
3	69J-44361-10-00	TUBE, WATER	1	UR U
3	69J-44361-00-00	TUBE, WATER	1	UR X
4	93608-12M05-00	PIN, DOWEL	2	
5	97095-10045-00	BOLT	7	X
6	92995-10100-00	WASHER	7	X
7	92995-10600-00	WASHER	7	X
8	90119-10009-00	BOLT, WITH WASHER	1	UR U
8	90119-10MA2-00	BOLT, WITH WASHER	1	UR X
9	69J-45375-00-00	DAMPER, SEAL	1	
10	61A-45214-10-00	COVER, WATER INLET 1	1	
11	61A-45215-10-00	COVER, WATER INLET 2	1	
12	90152-05003-00	SCREW, COUNTERSUNK	1	
13	90185-05002-00	NUT, NYLON	1	
14	61A-45371-00-00	TAB-TRIM	1	
15	90105-10M00-00	BOLT, FLANGE	1	
16	69J-45987-00-00	SPACER 1	1	
17	688-45997-01-00	SPACER 2	1	
18	92990-18200-00	WASHER	1	
19	90171-18M04-00	NUT, CASTLE	1	
20	91490-40030-00	PIN. COTTER	1	
21	6K1-45972-01-98	PROPELLER (3X13-3/4"X21"-ML)	1	UR
21	6K1-45970-01-98	PROPELLER (3X15-1/4"X15"-ML)	1	UR
21	61B-45974-00-98	PROPELLER (3X14-1/2"X19"-TL)	1	UR
21	61B-45978-00-98	PROPELLER (3X15"X17"-TL)	1	UR
21	61B-45972-00-98	PROPELLER (3X14-1/2"X21"-TL)	1	UR
21	6R1-45974-A0-00	PROPELLER (3X14-1/2"X23"-ML)	1	UR
21	6K1-45978-02-98	PROPELLER (3X13-3/4"X17"-ML1)	1	UR
21	6R1-45976-A0-00	PROPELLER (3X15-1/4"X15"-ML)	1	UR
21	6R1-45978-A0-00	PROPELLER (3X15-1/4"X17"-ML)	1	UR
21	6R1-45970-A0-00	PROPELLER, SS (3 X 15-1/4" X 19"-ML)	1	UR
21	6R1-45972-A0-00	PROPELLER (3X14-7/8"X21"-ML)	1	UR
21	6K1-45974-02-98	PROPELLER (3X13-3/4"X19"-ML1)	1	UR

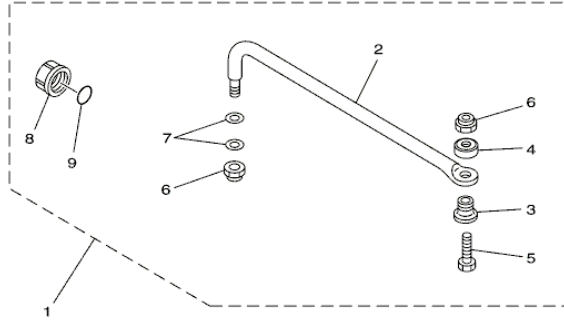
Part Notes

LF200TXRB 2003 / LOWER CASING DRIVE 4 LF200 LF225

PART NUMBER	NOTE TEXT
61A-45371-00-00 	OEM: This part number is among the Top 100 Most Popular Marine Maintenance Parts as of August 2013.
90105-10M00-00 	OEM: This part number is among the Top 100 Most Popular Marine Maintenance Parts as of August 2013.
91490-40030-00 	OEM: This part number is among the Top 100 Most Popular Marine Maintenance Parts as of August 2013.

©2013 Yamaha Motor Corporation, U.S.A. All rights reserved.

LF200TXRB 2003 / STEERING GUIDE ATTACHMENT



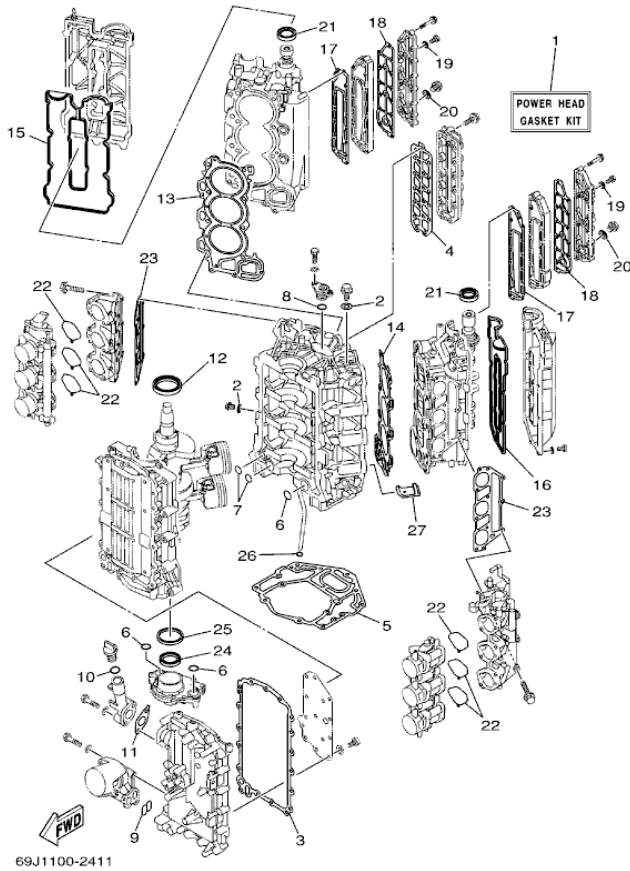
67H0100-9290

## Part List

LF200TXRB 2003 / STEERING GUIDE ATTACHMENT

REF - NO	PART NUMBER	PART NAME	QUANTITY	REMARKS
1	6E5-61350-02-00	STEERING GUIDE ATTACHMENT KIT	1	AP F200,F225
2	6E5-61351-01-00	.ROD, STEERING LINK	1	
3	90387-10M61-00	.COLLAR	1	
4	90560-12M01-00	.SPACER	1	
5	6E5-61355-00-00	.BOLT	1	
6	90185-09M01-00	.NUT, SELF-LOCKING	2	
7	90201-10M20-00	.WASHER, PLATE	2	
8	6E5-43145-01-00	.CAP, CLAMP BRACKET	1	
9	93210-16275-00	.O-RING	1	

LF200TXRB 2003 / REPAIR KIT 1



©2013 Yamaha Motor Corporation, U.S.A. All rights reserved.

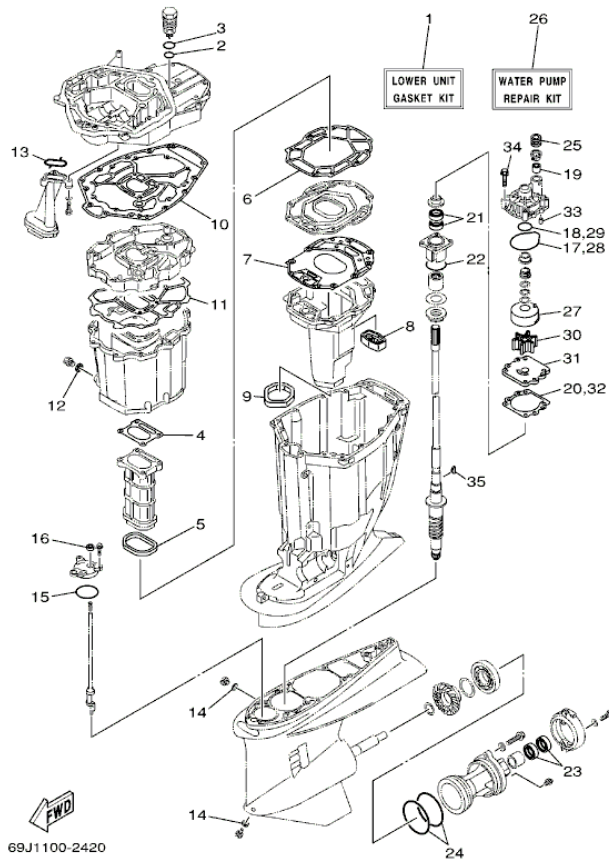
## Part List

LF200TXRB 2003 / REPAIR KIT 1

REF - NO	PART NUMBER	PART NAME	QUANTITY	REMARKS
1	69J-W0001-01-00	POWER HEAD GASKET KIT	1	
2	90430-14115-00	.GASKET	2	
3	69J-15451-00-00	.GASKET, CRANKCASE COVER 1	1	
4	69J-1131B-00-00	.GASKET, COVER	1	
5	69J-11351-00-00	.GASKET, CYLINDER	1	
6	93210-25552-00	.O-RING	3	
7	93210-19MJ1-00	.O-RING	2	
8	93210-25647-00	.O-RING	1	
9	69J-13477-00-00	.GASKET	1	
10	93210-24M79-00	.O-RING	1	
11	69J-15364-A0-00	.GASKET, OIL PLUG	1	
12	93102-63004-00	.OIL SEAL	1	
13	69J-11181-01-00	.GASKET, CYLINDER HEAD 1	1	
14	69J-11182-01-00	.GASKET, CYLINDER HEAD 2	1	
15	69J-11193-00-00	.GASKET, HEAD COVER 1	1	
16	69J-11194-00-00	.GASKET, HEAD COVER 2	1	
17	69J-41112-00-00	.GASKET, EXHAUST INNER COVER	2	
18	69J-41114-00-00	.GASKET, EXHAUST OUTER COVER	2	
19	90430-08143-00	.GASKET	4	
20	90430-18130-00	.GASKET	2	
21	93102-38M59-00	.OIL SEAL	2	
22	69J-13557-00-00	.GASKET	6	
23	69J-13645-00-00	.GASKET, MANIFOLD 1	2	
24	69J-13338-00-00	.OIL SEAL	1	
25	69J-11355-00-00	.SEAL, CYLINDER 1	1	
26	93210-19MJ3-00	.O-RING	1	
27	69J-14664-00-00	.GROMMET, WATER SHUT	2	



LF200TXRB 2003 / REPAIR KIT 2



©2013 Yamaha Motor Corporation, U.S.A. All rights reserved.












Part List

LF200TXRB 2003 / REPAIR KIT 2

REF - NO	PART NUMBER	PART NAME	QUANTITY	REMARKS
1	69J-W0001-20-00	LOWER UNIT GASKET KIT	1	
2	93210-28543-00	.O-RING	1	
3	93210-33MG4-00	.O-RING	1	
4	69J-41134-A0-00	.GASKET, EXHAUST MANIFOLD	1	
5	69J-41138-00-00	.SEAL, EXT 1	1	
6	69J-41135-A0-00	.GASKET, EXHAUST MANIFOLD	1	
7	69J-41136-A0-00	.GASKET, EXHAUST MANIFOLD 4	1	
8	69J-45127-00-00	.SEAL	1	
9	69J-45123-00-00	.GASKET, MUFFLER	1	
10	69J-45113-00-00	.GASKET, UPPER CASING	1	
11	69J-15312-00-00	.GASKET, OIL PAN	1	
12	90430-14M09-00	.GASKET	1	
13	69J-13415-00-00	.SEAL, OIL STRAINER	1	
14	90430-08020-00	.GASKET	2	
15	93210-64488-00	.O-RING	1	
16	93106-09014-00	.OIL SEAL	1	
17	93210-86M38-00	.O-RING	1	
18	93210-37160-00	.O-RING	1	
19	6E5-44365-00-00	.DAMPER, WATER SEAL 1	1	
20	6E5-44315-A0-00	.GASKET, WATER PUMP	1	
21	93101-28M16-00	.OIL SEAL	2	
22	93210-55M14-00	.O-RING	1	
23	93101-30M17-00	.OIL SEAL	2	
24	93211-04384-00	.O-RING	2	
25	6E5-44366-00-00	.DAMPER, WATER SEAL 2	1	
26	61A-W0078-A3-00	WATER PUMP REPAIR KIT	1	
27	61A-44322-02-00	.INSERT, CARTRIDGE	1	
28	93210-86M38-00	.O-RING	1	
29	93210-37160-00	.O-RING	1	
30	6E5-44352-01-00	.IMPELLER	1	
31	6G5-44323-00-00	.OUTER PLATE, CARTRIDGE	1	
32	6E5-44315-A0-00	.GASKET, WATER PUMP	1	
33	93606-12019-00	.PIN, DOWEL	2	
34	90119-08M14-00	.BOLT, WITH WASHER	4	
35	90280-04M05-00	.KEY, WOODRUFF	1	

Part Notes

LF200TXRB 2003 / REPAIR KIT 2

PART NUMBER	NOTE TEXT
69J-41134-A0-00	 OEM: If you are replacing damaged exhaust components on a 3.1L V6 Fourstroke, two kits have been developed to make choosing and ordering the correct parts easier. Ordering either MAR-EXHKT-03-00 (EXH KIT F200-225 for 2002-2003 models) or MAR-EXHKT-04-00 (EXH KIT F200-250 2004 models and up) will get you everything needed to rebuild the entire exhaust system.
69J-41138-00-00	 OEM: If you are replacing damaged exhaust components on a 3.1L V6 Fourstroke, two kits have been developed to make choosing and ordering the correct parts easier. Ordering either MAR-EXHKT-03-00 (EXH KIT F200-225 for 2002-2003 models) or MAR-EXHKT-04-00 (EXH KIT F200-250 2004 models and up) will get you everything needed to rebuild the entire exhaust system.
69J-41135-A0-00	 OEM: If you are replacing damaged exhaust components on a 3.1L V6 Fourstroke, two kits have been developed to make choosing and ordering the correct parts easier. Ordering either MAR-EXHKT-03-00 (EXH KIT F200-225 for 2002-2003 models) or MAR-EXHKT-04-00 (EXH KIT F200-250 2004 models and up) will get you everything needed to rebuild the entire exhaust system.
69J-45127-00-00	 OEM: If you are replacing damaged exhaust components on a 3.1L V6 Fourstroke, two kits have been developed to make choosing and ordering the correct parts easier. Ordering either MAR-EXHKT-03-00 (EXH KIT F200-225 for 2002-2003 models) or MAR-EXHKT-04-00 (EXH KIT F200-250 2004 models and up) will get you everything needed to rebuild the entire exhaust system.
69J-45123-00-00	 OEM: If you are replacing damaged exhaust components on a 3.1L V6 Fourstroke, two kits have been developed to make choosing and ordering the correct parts easier. Ordering either MAR-EXHKT-03-00 (EXH KIT F200-225 for 2002-2003 models) or MAR-EXHKT-04-00 (EXH KIT F200-250 2004 models and up) will get you everything needed to rebuild the entire exhaust system.
90430-14M09-00	 OEM: This part number is among the Top 100 Most Popular Marine Maintenance Parts as of August 2013.
90430-08020-00	 OEM: This part number is among the Top 100 Most Popular Marine Maintenance Parts as of August 2013.
93106-09014-00	 OEM: This part number is among the Top 100 Most Popular Marine Maintenance Parts as of August 2013.
93210-86M38-00	 OEM: This part number is among the Top 100 Most Popular Marine Maintenance Parts as of August 2013.
93101-28M16-00	 OEM: This part number is among the Top 100 Most Popular Marine Maintenance Parts as of August 2013.
93101-30M17-00	 OEM: This part number is among the Top 100 Most Popular Marine Maintenance Parts as of August 2013.

00		
61A- W0078- A3-00		OEM: This part number is among the Top 100 Most Popular Marine Maintenance Parts as of August 2013.
93210- 86M38- 00		OEM: This part number is among the Top 100 Most Popular Marine Maintenance Parts as of August 2013.
6E5- 44352- 01-00		OEM: This part number is among the Top 100 Most Popular Marine Maintenance Parts as of August 2013.

©2013 Yamaha Motor Corporation, U.S.A. All rights reserved.

©2013 Yamaha Motor Corporation, U.S.A. All rights reserved.