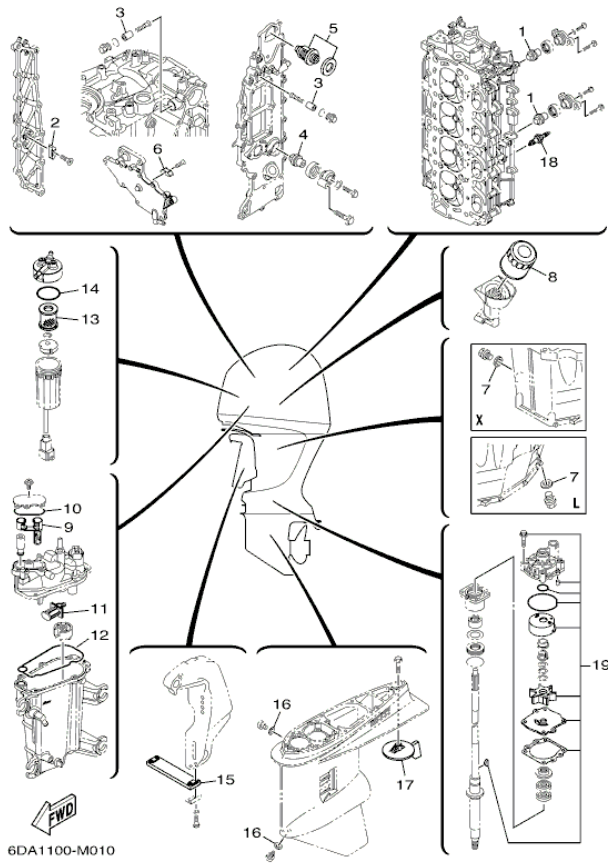


F200XB 1212 / SCHEDULED SERVICE PARTS



©2013 Yamaha Motor Corporation, U.S.A. All rights reserved.









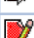

Part List

F200XB 1212 / SCHEDULED SERVICE PARTS

REF - NO	PART NUMBER	PART NAME	QUANTITY	REMARKS
1	67F-11325-01-00	.ANODE	2	
2	6E5-11325-00-00	ANODE	1	
3	68T-11325-00-00	ANODE	2	
4	67F-11325-01-00	.ANODE	1	
5	6DA-12411-00-00	THERMOSTAT	1	
6	6E5-11325-00-00	ANODE	1	
7	90430-14M09-00	.GASKET	1	
8	69J-13440-01-00	ELEMENT ASSY, OIL CLEANER	1	
9	6CB-24501-01-00	.FILTER, FUEL	1	
10	6CB-13016-00-00	.O-RING	1	
11	63P-13915-00-00	FILTER	1	
12	6CB-14984-00-00	GASKET, FLOAT CHAMBER	1	
13	6P3-24563-01-00	ELEMENT, FILTER	1	
14	6P3-24564-00-00	GASKET	1	
15	6AW-45251-00-00	ANODE	1	
16	90430-08020-00	.GASKET	2	
17	6J9-45371-01-00	TAB-TRIM	1	
18	LFR-6A110-00-00	PLUG, SPARK (NGK LFR6A-11)	4	
19	61A-W0078-A3-00	WATER PUMP REPAIR KIT	1	

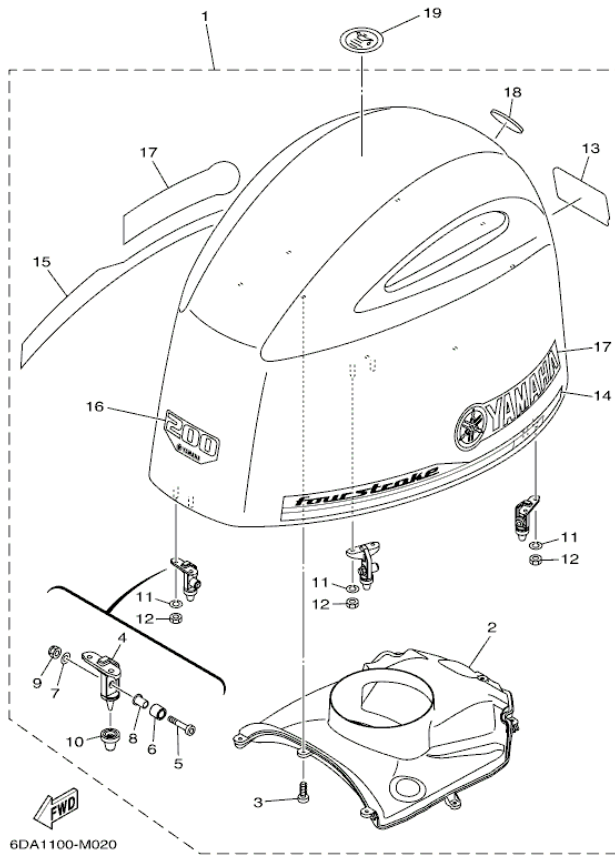
Part Notes

F200XB 1212 / SCHEDULED SERVICE PARTS

PART NUMBER	NOTE TEXT
67F-11325-01-00 	OEM: This part number is among the Top 100 Most Popular Marine Maintenance Parts as of August 2013.
67F-11325-01-00 	OEM: This part number is among the Top 100 Most Popular Marine Maintenance Parts as of August 2013.
90430-14M09-00 	OEM: This part number is among the Top 100 Most Popular Marine Maintenance Parts as of August 2013.
69J-13440-01-00 	OEM: This part number is among the Top 100 Most Popular Marine Maintenance Parts as of August 2013.
63P-13915-00-00 	OEM: This part number is among the Top 100 Most Popular Marine Maintenance Parts as of August 2013.
6P3-24564-00-00 	OEM: This part number is among the Top 100 Most Popular Marine Maintenance Parts as of August 2013.
90430-08020-00 	OEM: This part number is among the Top 100 Most Popular Marine Maintenance Parts as of August 2013.
6J9-45371-01-00 	OEM: This part number is among the Top 100 Most Popular Marine Maintenance Parts as of August 2013.
LFR-6A110-00-00 	OEM: This part number is among the Top 100 Most Popular Marine Maintenance Parts as of August 2013.
61A-W0078-A3-00 	OEM: This part number is among the Top 100 Most Popular Marine Maintenance Parts as of August 2013.

©2013 Yamaha Motor Corporation, U.S.A. All rights reserved.

F200XB 1212 / TOP COWLING



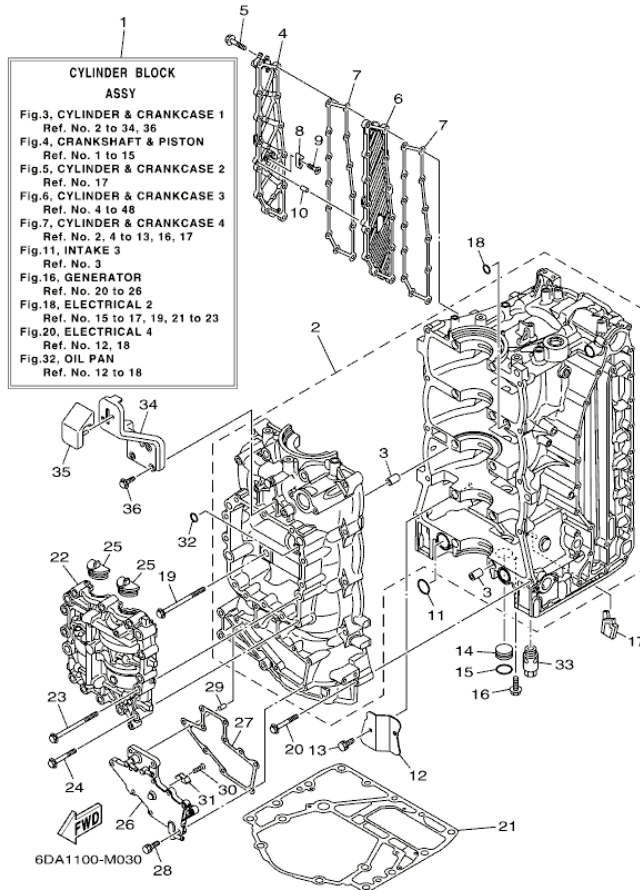
©2013 Yamaha Motor Corporation, U.S.A. All rights reserved.

Part List

F200XB 1212 / TOP COWLING

REF - NO	PART NUMBER	PART NAME	QUANTITY	REMARKS
1	6DA-42610-00-00	TOP COWLING ASSY	1	
2	6DA-42613-00-00	.MOLDING, AIR DUCT	1	
3	90167-05017-00	.SCREW, TAPPING	8	
4	6CB-42647-00-00	.HOLDER, CLAMP BAND	3	
5	90111-08078-00	.BOLT,HEX SOCKET BUTTON	3	
6	90387-10094-00	.COLLAR	3	
7	92990-08600-00	.WASHER, PLATE	3	
8	90387-08M45-00	.COLLAR	3	
9	95780-08300-00	.NUT, FLANGE	3	
10	6AW-42663-00-00	.DAMPER	3	
11	92990-06100-00	.WASHER, SPRING	6	
12	95380-06600-00	.NUT, HEXAGON	6	
13	6DA-42678-00-00	.GRAPHIC, REAR	1	
14	6DA-42675-00-00	.GRAPHIC, SIDE 1	1	
15	6DA-42676-00-00	.GRAPHIC, SIDE 2	1	
16	6DA-42677-00-00	.GRAPHIC, FRONT	1	
17	63P-42681-20-00	.MARK, COWLING	2	
18	6DA-42697-00-00	.TUNING FORK MARK	1	
19	67F-13434-20-00	LABEL, CAUTION	1	

F200XB 1212 / CYLINDER CRANKCASE 1



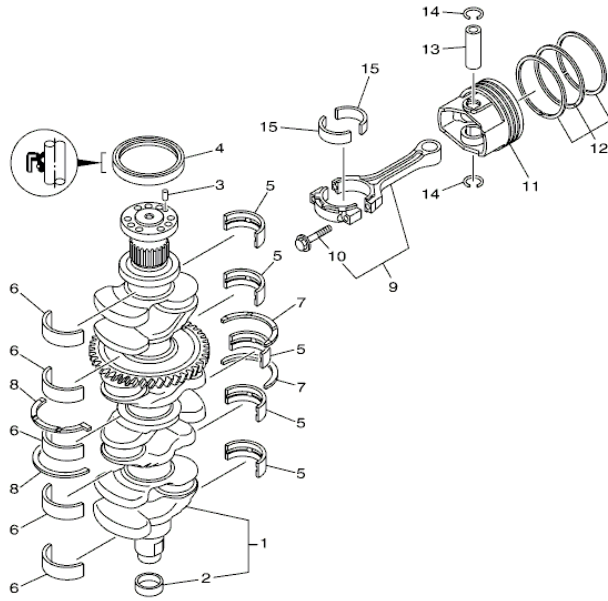
©2013 Yamaha Motor Corporation, U.S.A. All rights reserved.

Part List

F200XB 1212 / CYLINDER CRANKCASE 1

REF - NO	PART NUMBER	PART NAME	QUANTITY	REMARKS
1	6DA-W009B-00-9S	CYLINDER BLOCK ASSY	1	
2	6DA-15109-00-9S	CRANKCASE ASSY	1	
3	91814-18002-00	.PIN, DOWEL	10	
4	6DA-15414-00-9S	COVER, AIR CLEANER	1	
5	90105-06028-00	BOLT, FLANGE	13	
6	6DA-15423-00-9S	COVER 2	1	
7	6DA-15353-00-00	.GASKET, DRAIN	2	
8	6E5-11325-00-00	ANODE	1	
9	98780-04016-00	SCREW, FLAT HEAD	1	
10	91690-40010-00	PIN, SPRING	1	
11	93210-25552-00	O-RING	2	
12	6DA-15412-00-00	COVER, OIL PUMP	1	
13	90119-06023-00	BOLT, WITH WASHER	2	
14	90338-25004-00	PLUG	1	
15	93210-25647-00	.O-RING	1	
16	90119-06M81-00	BOLT, WITH WASHER	1	
17	6DA-14664-00-00	.GROMMET, WATER SHUT	1	
18	93210-12648-00	.O-RING	1	
19	90105-10406-00	BOLT, FLANGE	10	
20	90119-08M66-00	BOLT, WITH WASHER	10	
21	63P-11351-01-00	.GASKET, CYLINDER	1	
22	6DA-11500-00-00	BALANCER ASSY	1	
23	90105-10406-00	BOLT, FLANGE	4	
24	90105-08175-00	BOLT, FLANGE	12	
25	63P-11512-00-00	SEAL, CRANK COVER	2	
26	6DA-15411-00-9S	COVER, CRANKCASE 1	1	
27	6DA-15451-00-00	.GASKET, CRANKCASE COVER 1	1	
28	90119-06MA3-00	BOLT, WITH WASHER	10	
29	91690-40010-00	PIN, SPRING	1	
30	98780-04016-00	SCREW, FLAT HEAD	1	
31	6E5-11325-00-00	ANODE	1	
32	93210-08001-00	.O-RING	1	
33	63P-13490-00-00	RELIEF VALVE ASSY	1	
34	6DA-42744-00-00	STAY	1	
35	6DA-42662-00-00	DAMPER	1	
36	90105-06196-00	BOLT, FLANGE	3	

F200XB 1212 / CRANKSHAFT PISTON



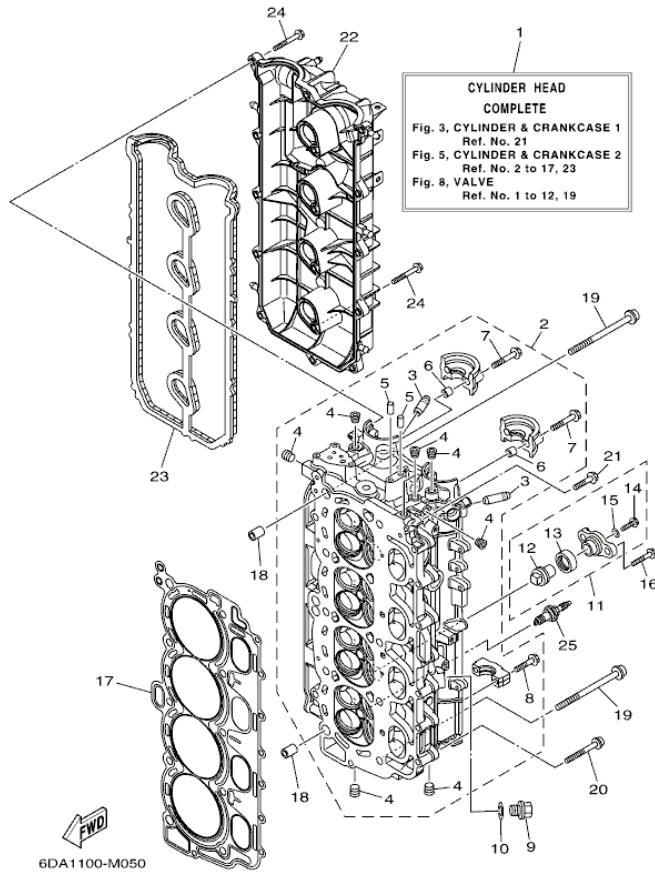
6DA1100-M040

Part List

F200XB 1212 / CRANKSHAFT PISTON

REF - NO	PART NUMBER	PART NAME	QUANTITY	REMARKS
1	6DA-11410-00-00	CRANKSHAFT	1	
2	6CB-11478-00-00	.COLLAR	1	
3	93606-12019-00	.PIN, DOWEL	1	
4	93102-85008-00	.OIL SEAL	1	
5	6DA-11416-00-00	PLANE BEARING, CRANKSHAFT 1	5	UR YELLOW
5	6DA-11416-20-00	PLANE BEARING, CRANKSHAFT 1	5	UR BLUE
5	6DA-11416-10-00	PLANE BEARING, CRANKSHAFT 1	5	UR GREEN
6	6DA-11417-00-00	PLANE BEARING, CRANKSHAFT 2	5	UR YELLOW
6	6DA-11417-20-00	PLANE BEARING, CRANKSHAFT 2	5	UR BLUE
6	6DA-11417-10-00	PLANE BEARING, CRANKSHAFT 2	5	UR GREEN
7	6DA-11426-00-00	BEARING, THRUST 1	2	
8	6DA-11427-00-00	BEARING, THRUST 2	2	
9	6CB-W1165-00-00	CONNECTING ROD ASSY	4	
10	6CB-11654-00-00	.BOLT, CONNECTING ROD	2	
11	6DA-11631-00-94	PISTON (STD)	4	
12	6CB-11603-00-00	PISTON RING SET (STD)	4	
13	6CB-11633-00-00	PIN, PISTON	4	
14	K0F-A3233-00-00	RING,HOLE SNAP	8	
15	6CB-11656-00-00	PLANE BEARING, CONNECTING ROD	8	UR YELLOW
15	6CB-11656-20-00	PLANE BEARING, CONNECTING ROD	8	UR BLUE
15	6CB-11656-10-00	PLANE BEARING, CONNECTING ROD	8	UR GREEN

F200XB 1212 / CYLINDER CRANKCASE 2



©2013 Yamaha Motor Corporation, U.S.A. All rights reserved.




Part List

F200XB 1212 / CYLINDER CRANKCASE 2

REF - NO	PART NUMBER	PART NAME	QUANTITY	REMARKS
1	6DA-W009A-00-9S	CYLINDER HEAD COMPLETE	1	
2	6DA-11110-00-9S	CYLINDER HEAD ASSY	1	
3	6DA-11133-10-00	.GUIDE, VALVE 1	16	
4	90344-51019-00	.PLUG, TAPER SCREW	8	
5	93606-12019-00	.PIN, DOWEL	2	
6	91809-08006-00	.PIN, DOWEL	4	
7	90119-07001-00	.BOLT, WITH WASHER	4	
8	90119-07234-00	.BOLT, WITH WASHER	16	
9	90340-14M06-00	PLUG, STRAIGHT SCREW	1	
10	90430-14115-00	.GASKET	1	
11	67F-11301-00-00	ANODE COVER ASSY	2	
12	67F-11325-01-00	.ANODE	1	
13	67F-11328-00-00	.GROMMET, ANODE	1	
14	90105-06M07-00	.BOLT, FLANGE	1	
15	90430-06M03-00	.GASKET	1	
16	95885-08025-00	BOLT, FLANGE	4	
17	6DA-11181-00-00	.GASKET, CYLINDER HEAD 1	1	
18	90387-11005-00	COLLAR	2	
19	90155-11002-00	SCREW, FLAT FILLISTER	10	
20	90105-08175-00	BOLT, FLANGE	8	
21	90105-06151-00	BOLT, FLANGE	1	
22	6DA-11191-00-00	COVER, CYLINDER HEAD 1	1	
23	6DA-11193-00-00	.GASKET, HEAD COVER 1	1	
24	95895-06030-00	BOLT, FLANGE	16	
25	LFR-6A110-00-00	PLUG, SPARK (NGK LFR6A-11)	4	

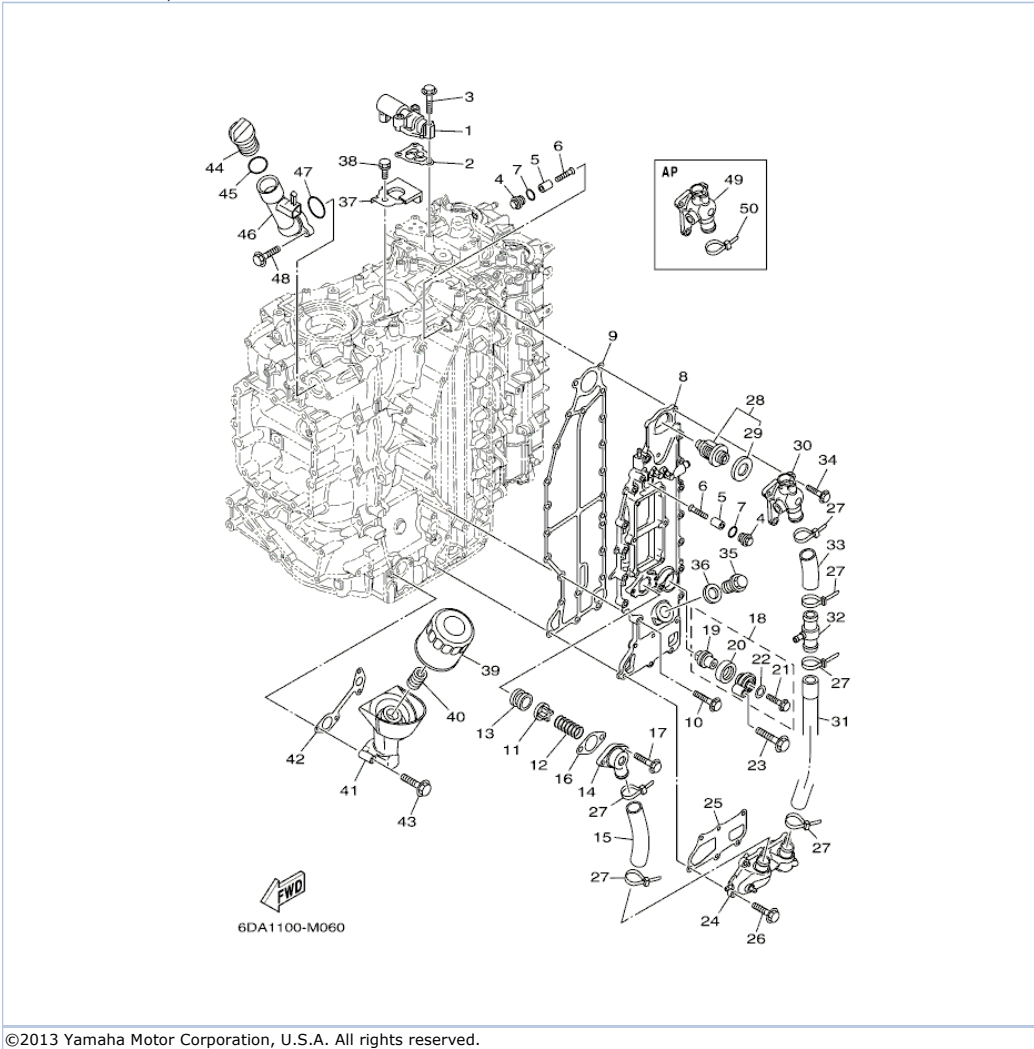
Part Notes

F200XB 1212 / CYLINDER CRANKCASE 2

PART NUMBER	NOTE TEXT
67F-11325-01-00 	OEM: This part number is among the Top 100 Most Popular Marine Maintenance Parts as of August 2013.
67F-11328-00-00 	OEM: This part number is among the Top 100 Most Popular Marine Maintenance Parts as of August 2013.
LFR-6A110-00-00 	OEM: This part number is among the Top 100 Most Popular Marine Maintenance Parts as of August 2013.

©2013 Yamaha Motor Corporation, U.S.A. All rights reserved.

F200XB 1212 / CYLINDER CRANKCASE 3



©2013 Yamaha Motor Corporation, U.S.A. All rights reserved.





Part List

F200XB 1212 / CYLINDER CRANKCASE 3

REF - NO	PART NUMBER	PART NAME	QUANTITY	REMARKS
1	6CB-86120-00-00	SOLENOID VALVE ASSY	1	
2	6CB-1242F-00-00	.GASKET, FILTER	1	
3	90105-06035-00	BOLT, FLANGE	3	
4	6G8-11197-01-00	PLUG, BLIND	2	
5	68T-11325-00-00	ANODE	2	
6	90151-05M05-00	SCREW, COUNTERSUNK	2	
7	93210-13M63-00	.O-RING	2	
8	6DA-41113-00-9S	OUTER COVER, EXHAUST	1	
9	6DA-41114-00-00	.GASKET, EXHAUST OUTER COVER	1	
10	90105-06028-00	BOLT, FLANGE	14	
11	60H-12416-00-00	VALVE, PRESSURE CONTROL	1	
12	90501-16M11-00	SPRING, COMPRESSION	1	
13	90480-20M05-00	GROMMET	1	
14	6G5-11372-00-00	COVER, BYPASS 2	1	
15	6DA-1243A-00-00	HOSE 1	1	
16	60V-11382-A0-00	.GASKET 2	1	
17	90119-06MA3-00	BOLT, WITH WASHER	2	
18	69J-11301-00-00	ANODE COVER ASSY	1	
19	67F-11325-01-00	.ANODE	1	
20	67F-11328-00-00	.GROMMET, ANODE	1	
21	90105-06M07-00	.BOLT, FLANGE	1	
22	90430-06M03-00	.GASKET	1	
23	97575-08540-00	BOLT, WITH WASHER	1	
24	6DA-12527-00-9S	COVER, WATER BY-PASS	1	
25	6DA-11381-00-00	.GASKET 1	1	
26	90105-06028-00	BOLT, FLANGE	6	
27	90465-11M59-00	CLAMP	6	
28	6DA-12411-00-00	THERMOSTAT	1	
29	6AW-12412-00-00	.SEAL, THERMOSTAT	1	
30	6DA-12413-00-9S	COVER, THERMOSTAT	1	
31	6DA-1243E-00-00	HOSE 2	1	
32	6CE-24378-00-00	PIPE, JOINT 3	1	
33	6DA-1244H-00-00	HOSE 5	1	
34	90105-06028-00	BOLT, FLANGE	3	
35	90340-18M09-00	PLUG, STRAIGHT SCREW	1	
36	90430-18130-00	.GASKET	1	
37	6P2-12491-00-00	CLAMP 1	1	
38	90119-06078-00	BOLT, WITH WASHER	1	
39	69J-13440-01-00	ELEMENT ASSY, OIL CLEANER	1	
40	655-12858-00-00	BOLT, UNION	1	
41	6DA-13446-00-00	CONNECTOR	1	
42	6DA-13475-00-00	.GASKET	1	
43	90105-06151-00	BOLT, FLANGE	4	
44	6G8-15363-00-00	PLUG, OIL	1	
45	93210-24M79-00	.O-RING	1	
46	6DA-15319-00-00	JOINT	1	
47	93210-357A3-00	O-RING	1	
48	90105-06037-00	BOLT, FLANGE	2	
49	6DA-1241B-00-9S	COVER, THERMOSTAT 2	1	AP
50	90465-11M59-00	CLAMP	1	AP

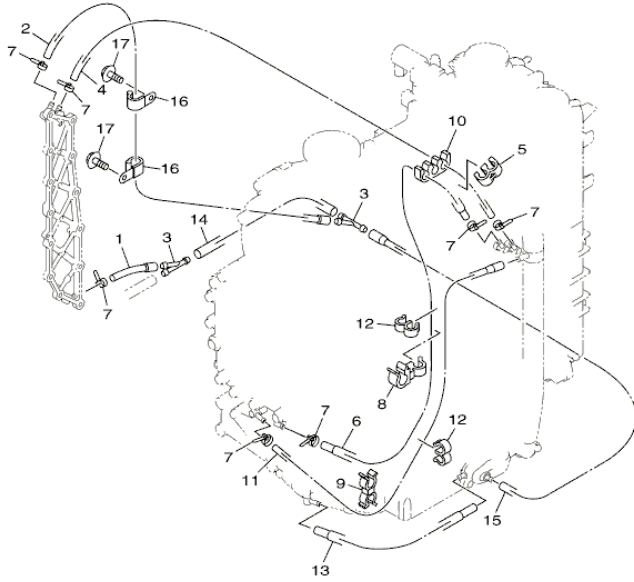
Part Notes

F200XB 1212 / CYLINDER CRANKCASE 3

PART NUMBER	NOTE TEXT
90480-20M05-00 	OEM: This part number is among the Top 100 Most Popular Marine Maintenance Parts as of August 2013.
67F-11325-01-00 	OEM: This part number is among the Top 100 Most Popular Marine Maintenance Parts as of August 2013.
67F-11328-00-00 	OEM: This part number is among the Top 100 Most Popular Marine Maintenance Parts as of August 2013.
69J-13440-01-00 	OEM: This part number is among the Top 100 Most Popular Marine Maintenance Parts as of August 2013.

©2013 Yamaha Motor Corporation, U.S.A. All rights reserved.

F200XB 1212 / CYLINDER CRANKCASE 4



6DA1100-M070

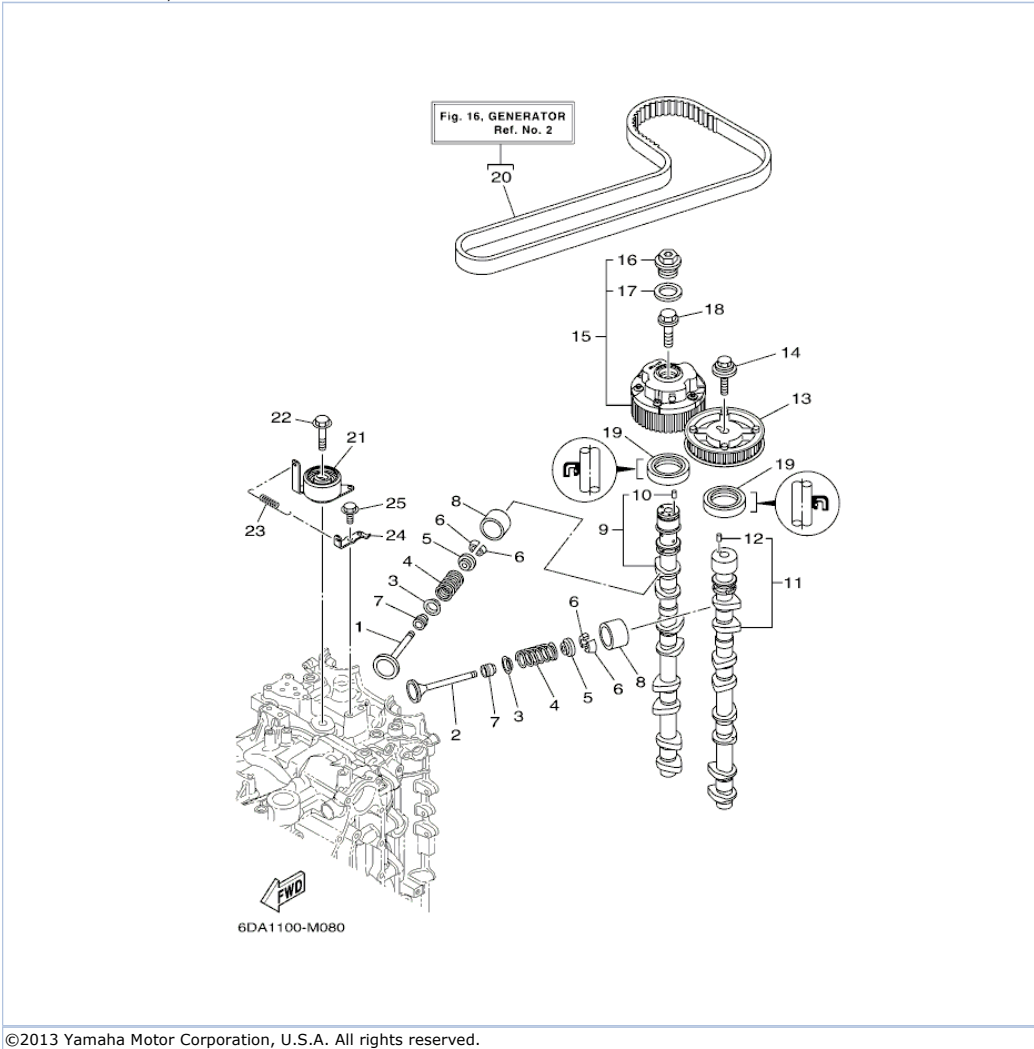
©2013 Yamaha Motor Corporation, U.S.A. All rights reserved.

Part List

F200XB 1212 / CYLINDER CRANKCASE 4

REF - NO	PART NUMBER	PART NAME	QUANTITY	REMARKS
1	6DA-12576-00-00	HOSE 1	1	
2	6DA-12589-00-00	HOSE 6	1	
3	6CE-24377-00-00	PIPE, JOINT 2	2	
4	90445-09008-00	HOSE (L470)	1	
5	90464-09M21-00	CLAMP	1	
6	6DA-12578-00-00	HOSE 3	1	
7	90465-11M10-00	CLAMP	7	
8	90464-12010-00	CLAMP	1	
9	90464-09142-00	CLAMP	1	
10	90464-09020-00	CLAMP	1	
11	6DA-12579-00-00	HOSE 4	1	
12	90464-09M31-00	CLAMP	2	
13	6DA-12552-00-00	HOSE 8	1	
14	90445-10057-00	HOSE (L170)	1	
15	6DA-12589-00-00	HOSE 6	1	
16	90465-08M83-00	CLAMP	2	
17	95895-06012-00	BOLT, FLANGE	2	

F200XB 1212 / VALVE

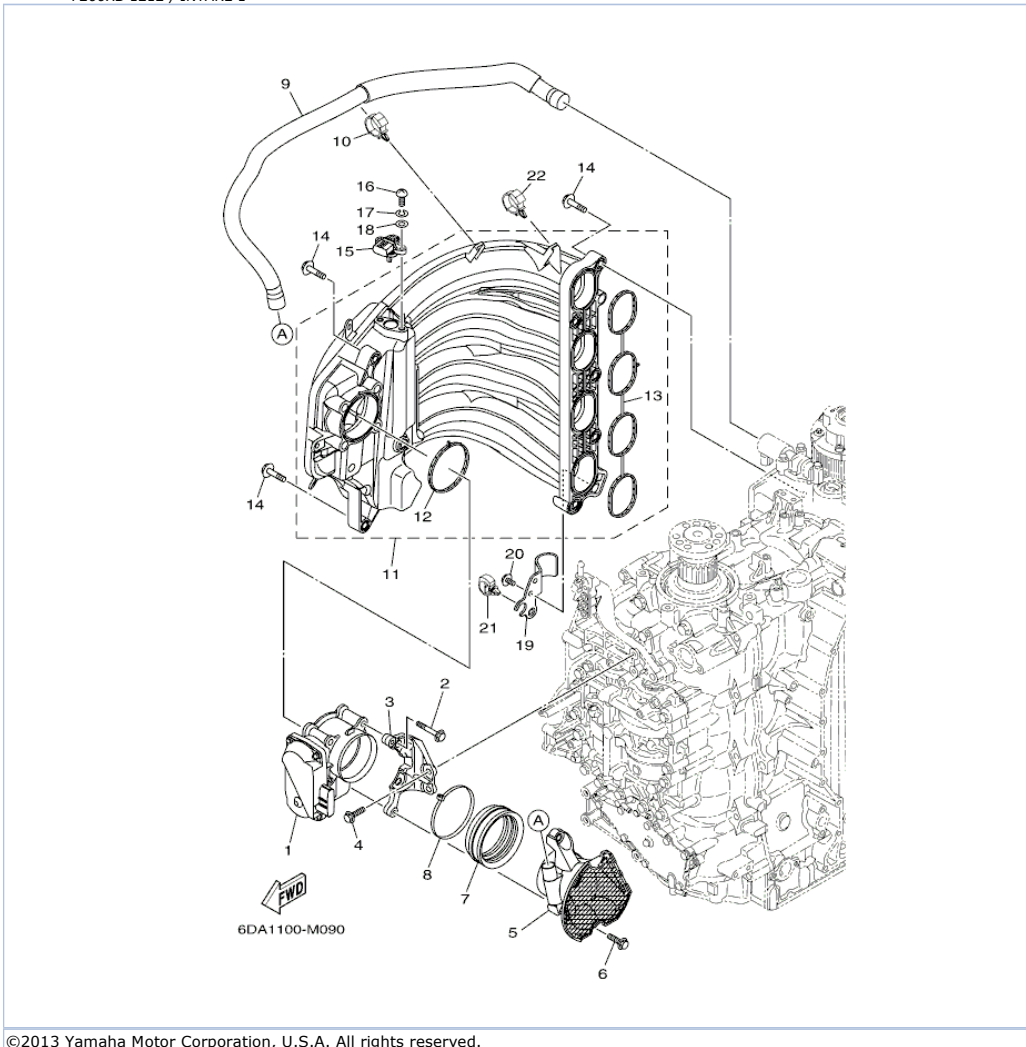


Part List

F200XB 1212 / VALVE

REF - NO	PART NUMBER	PART NAME	QUANTITY	REMARKS
1	6CB-12111-00-00	VALVE, INTAKE	8	
2	6DA-12121-00-00	VALVE, EXHAUST	8	
3	K0F-A3743-00-00	SEAT, VALVE SPRING	16	
4	6CB-12113-00-00	SPRING, VALVE INNER	16	
5	K0F-A3741-00-00	RETAINER, VALVE SPRING	16	
6	K0F-A3742-00-00	LOCK, VALVE SPRING RETAINER	32	
7	51Y-12119-00-00	SEAL, VALVE STEM	16	
8	K0F-A3751-00-00	LIFTER, VALVE (3.000)	16	UR
8	K0F-A3753-70-00	LIFTER, VALVE (3.725)	16	UR
8	K0F-A3751-20-00	LIFTER, VALVE (3.050)	16	UR
8	K0F-A3751-30-00	LIFTER, VALVE (3.075)	16	UR
8	K0F-A3751-40-00	LIFTER, VALVE (3.100)	16	UR
8	K0F-A3751-50-00	LIFTER, VALVE (3.122)	16	UR
8	K0F-A3751-60-00	LIFTER, VALVE (3.142)	16	UR
8	K0F-A3751-70-00	LIFTER, VALVE (3.162)	16	UR
8	K0F-A3751-80-00	LIFTER, VALVE (3.182)	16	UR
8	K0F-A3751-90-00	LIFTER, VALVE (3.202)	16	UR
8	K0F-A3751-A0-00	LIFTER, VALVE (3.222)	16	UR
8	K0F-A3751-B0-00	LIFTER, VALVE (3.242)	16	UR
8	K0F-A3751-C0-00	LIFTER, VALVE (3.262)	16	UR
8	K0F-A3751-D0-00	LIFTER, VALVE (3.282)	16	UR
8	K0F-A3751-E0-00	LIFTER, VALVE (3.302)	16	UR
8	K0F-A3751-F0-00	LIFTER, VALVE (3.322)	16	UR
8	K0F-A3751-G0-00	LIFTER, VALVE (3.342)	16	UR
8	K0F-A3751-H0-00	LIFTER, VALVE (3.362)	16	UR
8	K0F-A3751-J0-00	LIFTER, VALVE ((3.382)	16	UR
8	K0F-A3751-K0-00	LIFTER, VALVE (3.402)	16	UR
8	K0F-A3751-L0-00	LIFTER, VALVE (3.422)	16	UR
8	K0F-A3751-M0-00	LIFTER, VALVE (3.442)	16	UR
8	K0F-A3751-N0-00	LIFTER, VALVE (3.462)	16	UR
8	K0F-A3751-P0-00	LIFTER, VALVE (3.482)	16	UR
8	K0F-A3751-R0-00	LIFTER, VALVE (3.502)	16	UR
8	K0F-A3751-S0-00	LIFTER, VALVE (3.522)	16	UR
8	K0F-A3751-T0-00	LIFTER, VALVE (3.542)	16	UR
8	K0F-A3753-00-00	LIFTER, VALVE (3.562)	16	UR
8	K0F-A3753-10-00	LIFTER, VALVE (3.582)	16	UR
8	K0F-A3753-20-00	LIFTER, VALVE (3.602)	16	UR
8	K0F-A3753-30-00	LIFTER, VALVE (3.625)	16	UR
8	K0F-A3753-40-00	LIFTER, VALVE (3.650)	16	UR
8	K0F-A3753-50-00	LIFTER, VALVE (3.675)	16	UR
8	K0F-A3753-60-00	LIFTER, VALVE (3.700)	16	UR
8	K0F-A3751-10-00	LIFTER, VALVE (3.025)	16	UR
9	6DA-12171-00-00	CAMSHAFT 1	1	
10	93605-10108-00	.PIN, DOWEL	1	
11	6DA-12181-00-00	CAMSHAFT 2	1	
12	93605-10108-00	.PIN, DOWEL	1	
13	6DA-115A0-00-00	DRIVEN GEAR ASSY	1	
14	90119-10050-00	BOLT, WITH WASHER	1	
15	6P2-12645-20-00	PULLEY ASSY 1	1	
16	6P2-12623-00-00	.BOLT	1	
17	6P2-12663-00-00	.GASKET	1	
18	6P2-12615-00-00	BOLT	1	
19	93102-38008-00	.OIL SEAL	2	
20	6DA-W4624-00-00	BELT (WITH ROTOR BOLTS)	1	
21	6DA-11590-00-00	TENSIONER ASSY	1	
22	90119-10M07-00	BOLT, WITH WASHER	1	
23	90506-18025-00	SPRING, TENSION	1	
24	6DA-11595-00-00	PLATE, VALVE	1	
25	97575-06516-00	BOLT, WITH WASHER	1	

F200XB 1212 / INTAKE 1

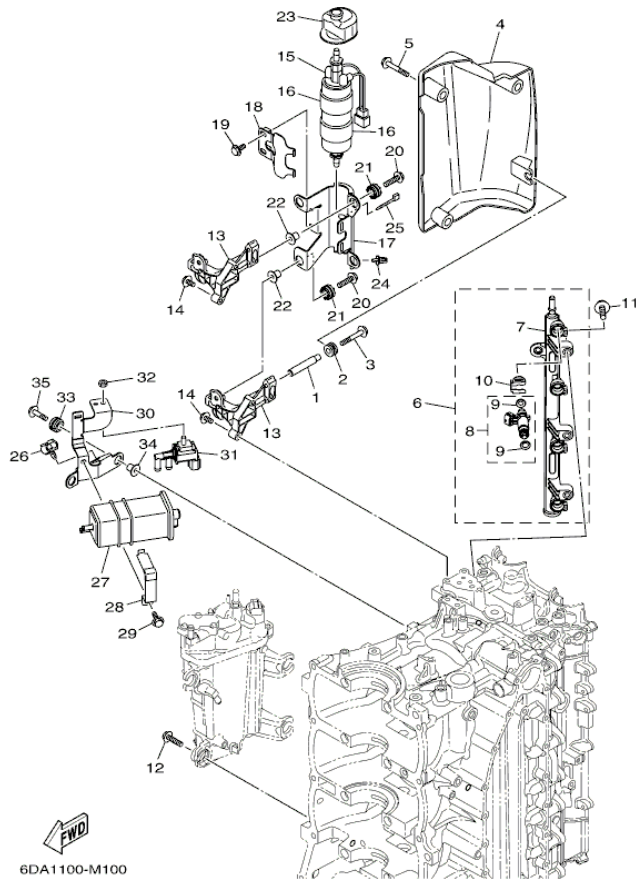


Part List

F200XB 1212 / INTAKE 1

REF - NO	PART NUMBER	PART NAME	QUANTITY	REMARKS
1	6DA-13751-00-00	BODY, THROTTLE 1	1	
2	97575-08560-00	BOLT, WITH WASHER	4	
3	6DA-13152-00-00	STAY 2	1	
4	95875-06025-00	BOLT, FLANGE	2	
5	6DA-14440-00-00	SILENCER ASSY, INTAKE	1	
6	95875-06025-00	BOLT, FLANGE	2	
7	6P2-1441J-00-00	PIPE, SILENCER	1	
8	90464-99004-00	CLAMP	1	
9	6DA-15373-00-00	PIPE, BREATHER	1	
10	90464-12183-00	CLAMP	1	
11	6DA-13641-00-00	MANIFOLD, INTAKE 1	1	
12	6DA-13646-00-00	.GASKET, MANIFOLD 2	1	
13	6DA-13645-00-00	.GASKET, MANIFOLD 1	1	
14	90119-08020-00	BOLT, WITH WASHER	9	
15	68F-83688-10-00	SENSOR ASSY	1	
16	97885-05016-00	SCREW, PAN HEAD	2	
17	92995-05100-00	WASHER	2	
18	92995-05600-00	WASHER	2	
19	6DA-13881-00-00	COVER 1	1	
20	95895-06012-00	BOLT, FLANGE	2	
21	90464-20181-00	CLAMP	1	
22	90464-12183-00	CLAMP	1	

F200XB 1212 / INTAKE 2



©2013 Yamaha Motor Corporation, U.S.A. All rights reserved.


Part List

F200XB 1212 / INTAKE 2

REF - NO	PART NUMBER	PART NAME	QUANTITY	REMARKS
1	90387-06283-00	COLLAR	1	
2	90480-12314-00	GROMMET	1	
3	90105-06054-00	BOLT, FLANGE	1	
4	6DA-13564-00-00	COVER, MANIFOLD	1	
5	95875-06020-00	BOLT, FLANGE	3	
6	6DA-13160-00-00	DELIVERY PIPE ASSY 1	1	
7	6DA-13161-00-00	.PIPE, DELIVERY 1	1	
8	6DA-13761-00-00	.INJECTOR	4	
9	6AW-1410B-00-00	.PACKING KIT	1	
10	6AW-13577-10-00	.CLIP	4	
11	90105-06M08-00	BOLT, FLANGE	3	
12	90119-06M24-00	BOLT, WITH WASHER	4	
13	6DA-24425-00-00	BRACKET, FUEL PUMP 1	2	
14	90105-06M08-00	BOLT, FLANGE	4	
15	6CB-24410-00-00	FUEL PUMP ASSY	1	
16	6DA-24492-00-00	BUSH, FUEL PUMP	2	
17	6DA-24491-00-00	BRACKET, FUEL PUMP	1	
18	6DA-24426-00-00	BRACKET, FUEL PUMP 2	1	
19	95895-06012-00	BOLT, FLANGE	2	
20	90119-06M17-00	BOLT, WITH WASHER	4	
21	60V-85516-00-00	SPACER	4	
22	90387-06M60-00	COLLAR	4	
23	6DA-24462-00-00	CAP, BLIND	1	
24	90464-06001-00	CLAMP	1	
25	90465-11M10-00	CLAMP	1	
26	90464-09130-00	CLAMP	1	
27	6P2-24170-00-00	CANISTER ASSY	1	
28	63P-2419A-01-00	HOLDER	1	
29	95895-06016-00	BOLT, FLANGE	1	
30	6DA-2134X-00-00	BRACKET, CANISTER	1	
31	6C5-86120-00-00	SOLENOID VALVE ASSY	1	
32	95380-06600-00	NUT, HEXAGON	1	
33	90480-14031-00	GROMMET	2	
34	90387-06M60-00	COLLAR	2	
35	90119-06M17-00	BOLT, WITH WASHER	2	

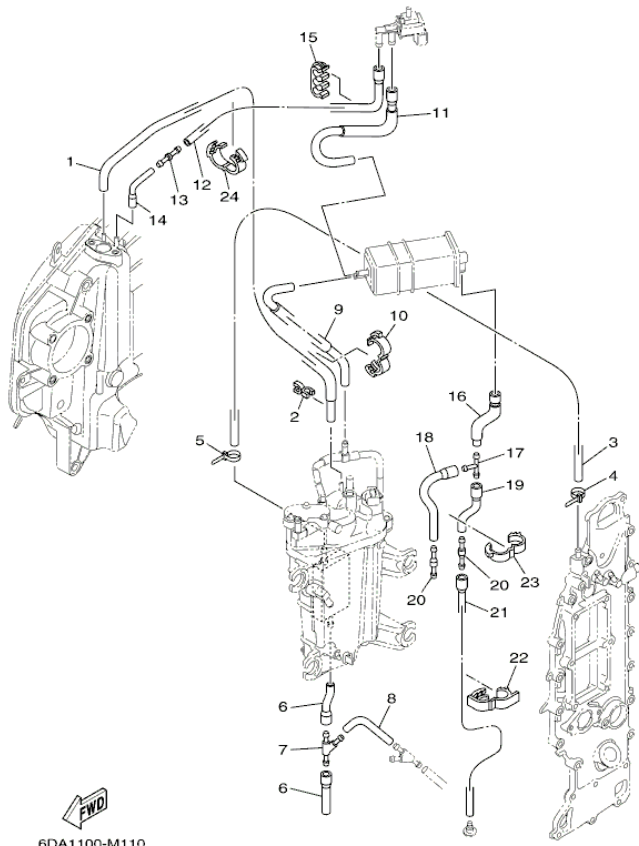
Part Notes

F200XB 1212 / INTAKE 2

PART NUMBER	NOTE TEXT
90480-12314-00 	OEM: GROMMET used on F115TLR and F/LF115TXR 0510 Production and Later

©2013 Yamaha Motor Corporation, U.S.A. All rights reserved.

F200XB 1212 / INTAKE 3




6DA1100-M110

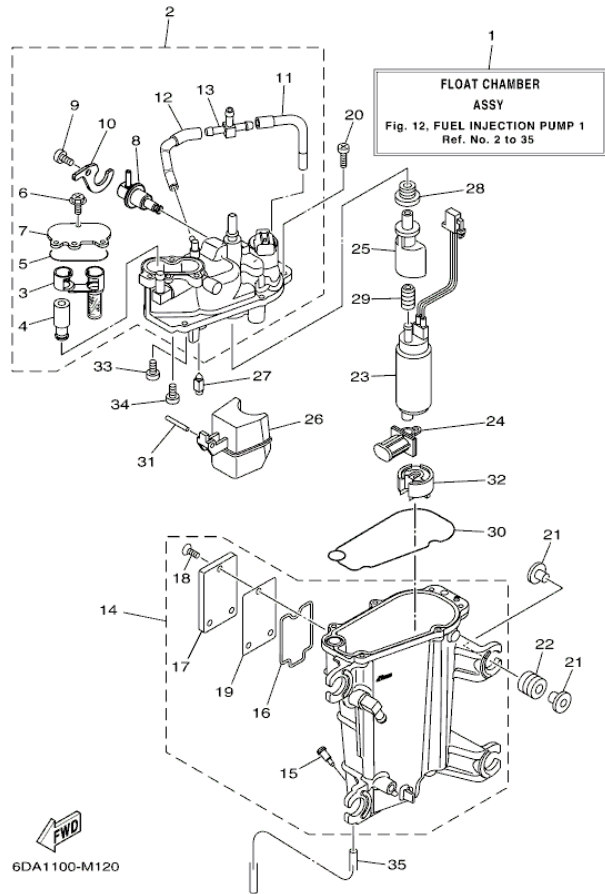
©2013 Yamaha Motor Corporation, U.S.A. All rights reserved.

Part List

F200XB 1212 / INTAKE 3

REF - NO	PART NUMBER	PART NAME	QUANTITY	REMARKS
1	6DA-13532-00-00	HOSE, VACUUM SENSING 3	1	
2	90464-07M41-00	CLAMP	1	
3	90445-09120-00	HOSE (L600)	1	
4	90465-11M10-00	CLAMP	1	
5	90465-11M10-00	CLAMP	1	
6	6DA-12576-00-00	HOSE 1	2	
7	6CE-24377-00-00	PIPE, JOINT 2	1	
8	90445-10056-00	HOSE (L85)	1	
9	6DA-1475A-00-00	PIPE 1	1	
10	90464-16001-00	CLAMP	1	
11	6DA-1475F-00-00	PIPE 3	1	
12	6DA-2416A-00-00	HOSE	1	
13	6CB-14989-00-00	ORIFICE, AIR VENT	1	
14	6DA-1475G-00-00	PIPE 4	1	
15	90464-10011-00	CLAMP	1	
16	6DA-13545-00-00	HOSE 1	1	
17	688-24378-00-00	PIPE, JOINT 3	1	
18	68V-13546-10-00	HOSE 2	1	
19	6DA-13548-00-00	HOSE, AIR 4	1	
20	6E5-21744-00-00	BREATHER	2	
21	6DA-13547-00-00	HOSE 3	1	
22	90464-18004-00	CLAMP	1	
23	90464-16001-00	CLAMP	1	
24	90464-16001-00	CLAMP	1	

F200XB 1212 / FUEL INJECTION PUMP 1



©2013 Yamaha Motor Corporation, U.S.A. All rights reserved.


Part List

F200XB 1212 / FUEL INJECTION PUMP 1

REF - NO	PART NUMBER	PART NAME	QUANTITY	REMARKS
1	6DA-14180-00-00	FLOAT CHAMBER ASSY	1	
2	6DA-14182-00-00	COVER, FLOAT CHAMBER	1	
3	6CB-24501-01-00	.FILTER, FUEL	1	
4	6CB-24460-00-00	.RELIEF VALVE ASSY	1	
5	6CB-13016-00-00	.O-RING	1	
6	6CB-14216-00-00	.SCREW	3	
7	6CB-24217-00-00	.COVER	1	
8	6CB-13906-01-00	.REGULATOR, PRESSURE	1	
9	6CB-14564-00-00	.SCREW	1	
10	6DA-14146-00-00	.PLATE	1	
11	6DA-13892-00-00	.HOSE, AIR 2	1	
12	6DA-13893-00-00	.HOSE, AIR 3	1	
13	69J-24379-00-00	.PIPE, JOINT 4	1	
14	6DA-14181-00-00	BODY, FLOAT CHAMBER 1	1	
15	6P2-14191-00-00	.PLUG, DRAIN	1	
16	6CB-14239-00-00	.SEAL	1	
17	6CB-24452-10-00	.COVER	1	
18	6CB-14429-01-00	.SCREW	3	
19	6CB-24482-00-00	.GASKET 1	1	
20	63P-14567-00-00	SCREW	6	
21	69J-13716-00-00	.COLLAR	8	
22	6CB-13593-00-00	.DAMPER	4	
23	6P2-13907-20-00	FUEL PUMP COMP.	1	
24	63P-13915-00-00	FILTER	1	
25	6AW-13132-00-00	JOINT	1	
26	6CB-14985-00-00	FLOAT	1	
27	6CB-14546-00-00	VALVE, NEEDLE	1	
28	6CB-1447B-00-00	BUSH 1	1	
29	6AW-13781-00-00	DAMPER, PUMP	1	
30	6CB-14984-00-00	GASKET, FLOAT CHAMBER	1	
31	6P2-14386-00-00	PIN, FLOAT	1	
32	6AW-13784-00-00	COVER, PUMP	1	
33	4SV-24453-00-00	SCREW	1	
34	98507-04008-00	.SCREW, PAN HEAD	1	
35	6P2-14149-00-00	PIPE	1	

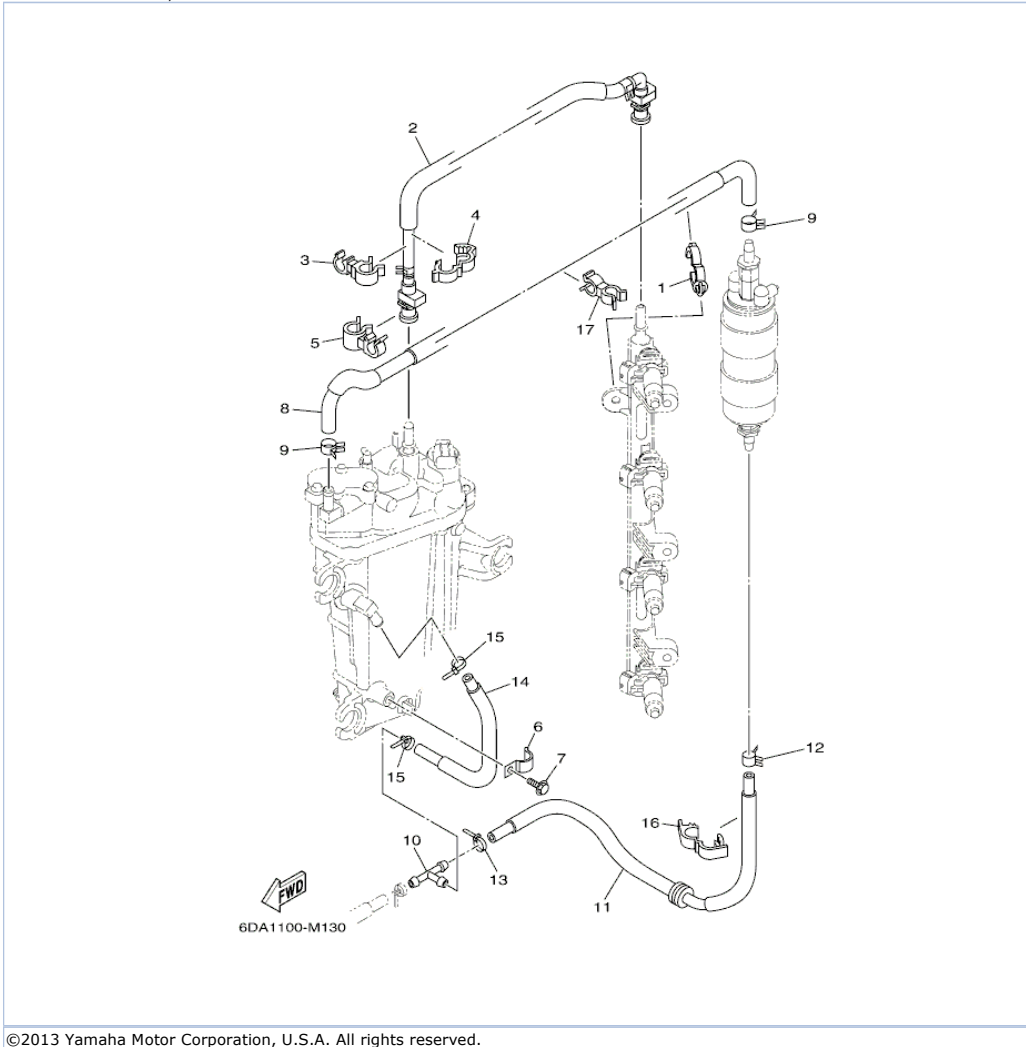
Part Notes

F200XB 1212 / FUEL INJECTION PUMP 1

PART NUMBER	NOTE TEXT
63P-13915-00-00 	OEM: This part number is among the Top 100 Most Popular Marine Maintenance Parts as of August 2013.

©2013 Yamaha Motor Corporation, U.S.A. All rights reserved.

F200XB 1212 / FUEL INJECTION PUMP 2



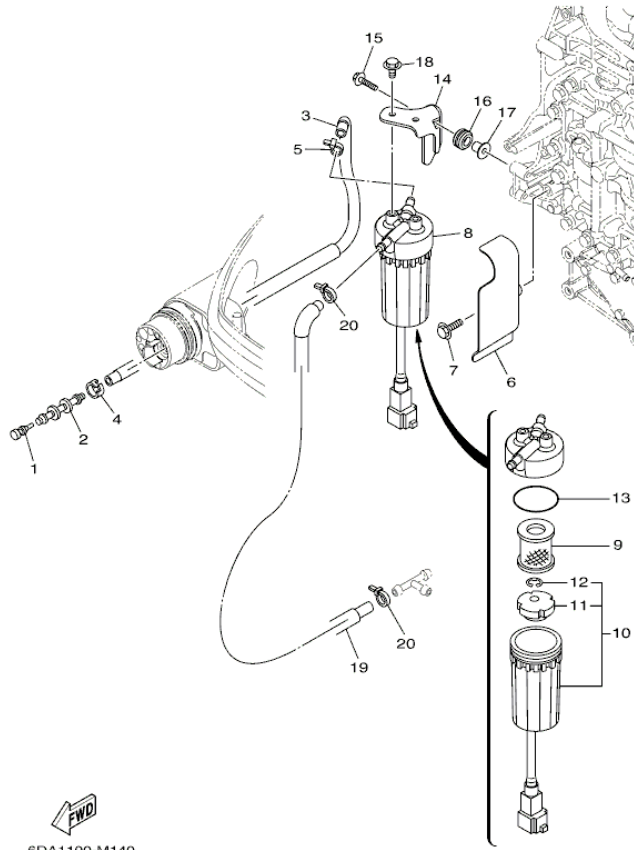
©2013 Yamaha Motor Corporation, U.S.A. All rights reserved.

Part List

F200XB 1212 / FUEL INJECTION PUMP 2

REF - NO	PART NUMBER	PART NAME	QUANTITY	REMARKS
1	90464-20181-00	CLAMP	1	
2	6DA-24310-00-00	FUEL PIPE ASSY	1	
3	90464-12010-00	CLAMP	1	
4	90464-16003-00	CLAMP	1	
5	90464-15007-00	CLAMP	1	
6	90465-08M63-00	CLAMP	1	
7	95895-06010-00	BOLT, FLANGE	1	
8	6DA-24324-00-00	PIPE 13	1	
9	90467-120A7-00	CLIP	2	
10	6E5-24378-00-00	PIPE, JOINT 3	1	
11	6DA-24317-00-00	PIPE 7	1	
12	90467-120A7-00	CLIP	1	
13	90465-11M10-00	CLAMP	1	
14	6DA-24323-00-00	PIPE 12	1	
15	90465-11M10-00	CLAMP	2	
16	90464-18004-00	CLAMP	1	
17	90464-13260-00	CLAMP	1	

F200XB 1212 / FUEL 1



6DA1100-M140

©2013 Yamaha Motor Corporation, U.S.A. All rights reserved.


Part List

F200XB 1212 / FUEL 1

REF - NO	PART NUMBER	PART NAME	QUANTITY	REMARKS
1	689-85547-00-00	DAMPER	1	
2	6AW-24377-01-00	PIPE, JOINT 2	1	
3	6DA-24314-00-00	PIPE 4	1	
4	6E5-24351-51-00	BAND 1	1	
5	90465-11M10-00	CLAMP	1	
6	6DA-24596-00-00	COVER	1	
7	95895-06025-00	BOLT, FLANGE	2	
8	6P3-24560-03-00	FILTER ASSY	1	
9	6P3-24563-01-00	.ELEMENT, FILTER	1	
10	6P3-24562-03-00	.CUP, FILTER	1	
11	6P3-24469-00-00	..FLOAT, WATER LEVEL	1	
12	6P3-24519-00-00	..CLIP	1	
13	6P3-24564-00-00	.GASKET	1	
14	6DA-24566-00-00	BRACKET, FILTER	1	
15	90119-06M17-00	BOLT, WITH WASHER	2	
16	90480-15013-00	GROMMET	2	
17	90387-06M60-00	COLLAR	2	
18	95895-06012-00	BOLT, FLANGE	2	
19	6DA-24313-00-00	PIPE 3	1	
20	90465-11M10-00	CLAMP	2	

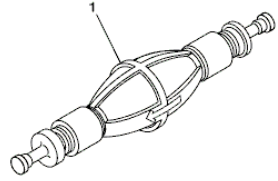
Part Notes

F200XB 1212 / FUEL 1

PART NUMBER	NOTE TEXT
6P3-24564-00-00 	OEM: This part number is among the Top 100 Most Popular Marine Maintenance Parts as of August 2013.

©2013 Yamaha Motor Corporation, U.S.A. All rights reserved.

F200XB 1212 / FUEL 2



6AW6100-L160

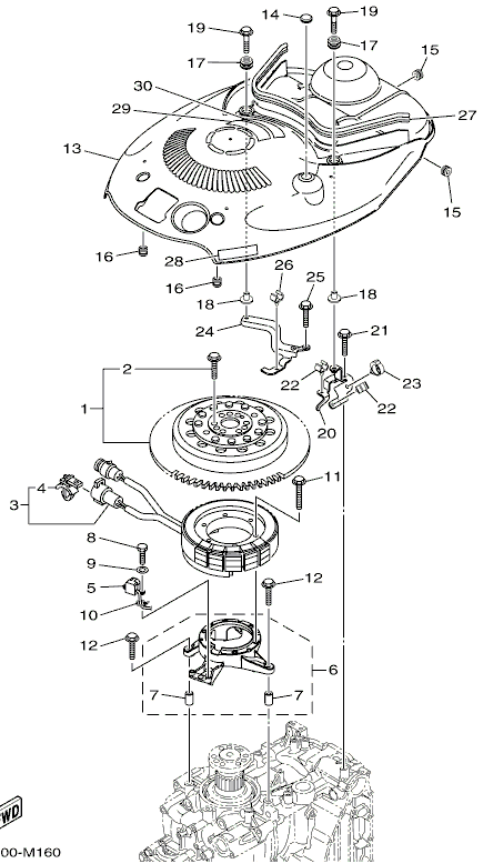
©2013 Yamaha Motor Corporation, U.S.A. All rights reserved.

Part List

F200XB 1212 / FUEL 2

REF - NO	PART NUMBER	PART NAME	QUANTITY	REMARKS
1	6AW-24360-01-00	PRIMER PUMP ASSY	1	AP

F200XB 1212 / GENERATOR



©2013 Yamaha Motor Corporation, U.S.A. All rights reserved.


Part List

F200XB 1212 / GENERATOR

REF - NO	PART NUMBER	PART NAME	QUANTITY	REMARKS
1	6DA-W8145-00-00	ROTOR ASSY WITH BOLTS	1	
2	6AW-W9011-00-00	.BOLT SET (FOR ROTOR ASSY)	1	
3	6DA-81410-00-00	STATOR ASSY	1	
4	90464-12002-00	.CLAMP	1	
5	6CB-85580-00-00	COIL, PULSER	1	
6	6DA-85561-00-00	BASE, MAGNETO	1	
7	99590-08012-00	.PIN, DOWEL	2	
8	97095-05020-00	BOLT	2	
9	92995-05600-00	WASHER	2	
10	90465-13M97-00	CLAMP	1	
11	95022-06035-00	BOLT, FLANGE	6	
12	95895-06030-00	BOLT, FLANGE	4	
13	6DA-81337-00-00	COVER, FLYWHEEL	1	
14	90480-16025-00	GROMMET	1	
15	90480-12314-00	GROMMET	2	
16	6AO-82317-00-00	DAMPER, IGNITION COIL	2	
17	6BG-42748-00-00	GROMMET	2	
18	90387-06M69-00	COLLAR	2	
19	90119-06M61-00	BOLT, WITH WASHER	2	
20	6DA-8132G-00-00	PLATE	1	
21	95895-06016-00	BOLT, FLANGE	1	
22	90464-09130-00	CLAMP	2	
23	90464-20181-00	CLAMP	1	
24	6DA-82398-00-00	PLATE 3	1	
25	95895-06016-00	BOLT, FLANGE	2	
26	90464-09130-00	CLAMP	1	
27	6DA-42617-00-00	DAMPER, FORM	1	
28	63P-13437-52-00	MARK, CAUTION	1	
29	6AH-81994-40-00	LABEL, SAFETY	1	
30	6AH-81994-50-00	LABEL, SAFETY	1	

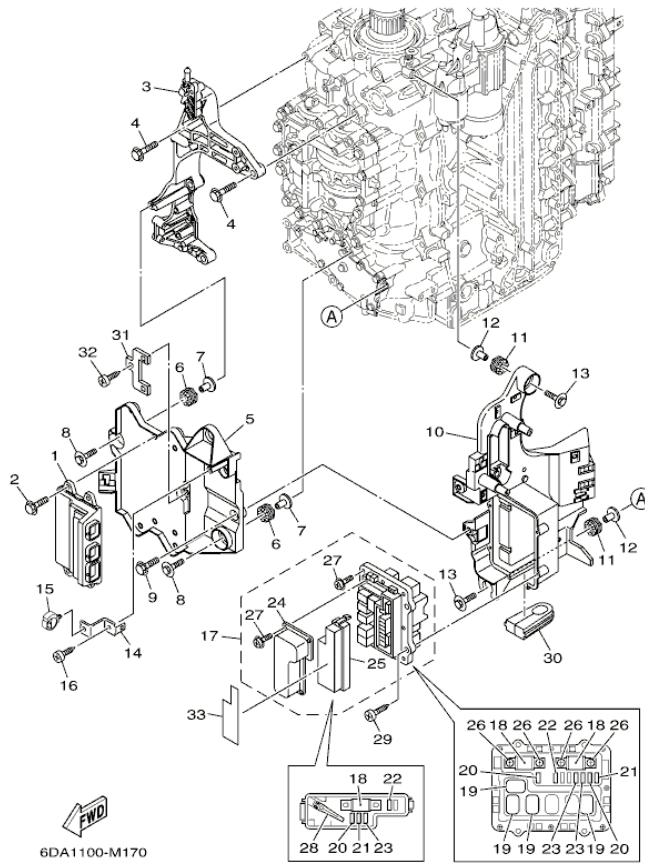
Part Notes

F200XB 1212 / GENERATOR

PART NUMBER	NOTE TEXT
90480-12314-00 	OEM: GROMMET used on F115TLR and F/LF115TXR 0510 Production and Later

©2013 Yamaha Motor Corporation, U.S.A. All rights reserved.

F200XB 1212 / ELECTRICAL 1



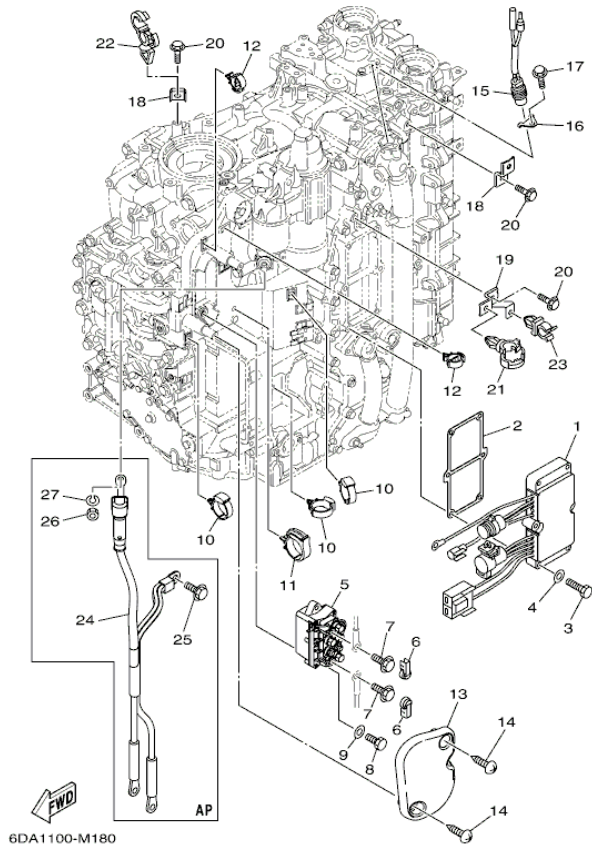
©2013 Yamaha Motor Corporation, U.S.A. All rights reserved.

Part List

F200XB 1212 / ELECTRICAL 1

REF - NO	PART NUMBER	PART NAME	QUANTITY	REMARKS
1	6DA-8591A-00-00	ENGINE CONTROL UNIT ASSY	1	
2	95895-06020-00	BOLT, FLANGE	4	
3	6DA-85991-00-00	BRACKET, UNIT	1	
4	95875-08035-00	BOLT, FLANGE	4	
5	6DA-81948-00-00	BRACKET	1	
6	68F-85516-01-00	SPACER	3	
7	90387-06176-00	COLLAR	3	
8	68F-85119-00-00	BOLT	3	
9	95895-06016-00	BOLT, FLANGE	2	
10	6DA-81952-00-00	HOLDER, RELAY	1	
11	68F-85516-01-00	SPACER	3	
12	90387-06176-00	COLLAR	3	
13	68F-85119-00-00	BOLT	3	
14	6DA-85548-00-00	HOLDER	1	
15	90464-20181-00	CLAMP	1	
16	97780-60620-00	SCREW, TAPPING	1	
17	6DA-82170-00-00	FUSE BOX ASSY	1	
18	6P2-82151-00-00	.FUSE (60A)	3	
19	68F-8195A-00-00	.RELAY ASSY	4	
20	67F-82151-40-00	.FUSE (10A)	3	
21	67F-82151-50-00	.FUSE (15A)	2	
22	67F-82151-00-00	.FUSE (20A)	2	
23	67F-82151-10-00	.FUSE (30A)	3	
24	6CB-81639-00-00	.COVER	1	
25	6CB-85544-00-00	.CASE	1	
26	68F-82846-00-00	.SCREW, PAN HEAD (M5)	4	
27	6P2-82113-00-00	.SCREW	13	
28	67F-2812A-00-00	.PULLER, FUSE	1	
29	97780-50620-00	SCREW, TAPPING	4	
30	6DA-81336-00-00	GROMMET	1	
31	6C5-8257V-00-00	PLATE, CONNECTOR	1	
32	97780-60620-00	SCREW, TAPPING	1	
33	6DA-81919-00-00	GRAPHIC, REGULATOR	1	

F200XB 1212 / ELECTRICAL 2



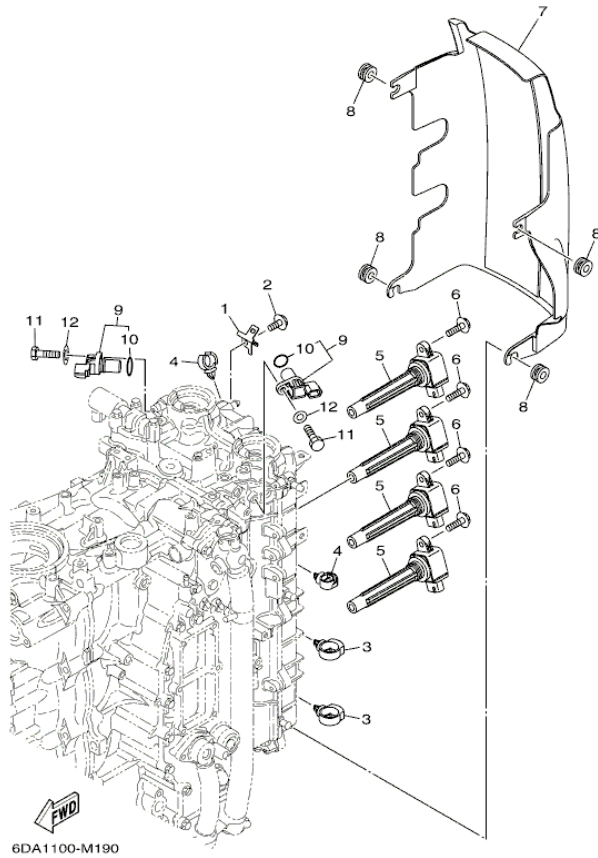
©2013 Yamaha Motor Corporation, U.S.A. All rights reserved.

Part List

F200XB 1212 / ELECTRICAL 2

REF - NO	PART NUMBER	PART NAME	QUANTITY	REMARKS
1	6DA-81960-00-00	RECTIFIER & REGULATOR ASSY	1	
2	6DA-81975-00-00	PLATE, RECTIFIER FITTING	1	
3	97095-06035-00	BOLT	6	
4	92995-06600-00	WASHER	6	
5	63P-81950-00-00	RELAY ASSY	1	
6	6P2-8183X-00-00	CAP, TERMINAL	2	
7	97595-06610-00	BOLT, WITH WASHER	2	
8	97095-06020-00	BOLT	2	
9	92995-06600-00	WASHER	2	
10	90464-12183-00	CLAMP	3	
11	90464-32002-00	CLAMP	1	
12	90464-18246-00	.CLAMP	2	
13	6DA-81942-00-00	COVER	1	
14	90169-05M00-00	SCREW, TRUSS HEAD TAPPING	2	
15	6P2-82560-01-00	THERMO SWITCH ASSY	1	
16	6E9-82588-00-00	PLATE	1	
17	95895-06012-00	BOLT, FLANGE	1	
18	6DA-82388-00-00	PLATE	2	
19	6DA-82389-00-00	PLATE 2	1	
20	95895-06016-00	BOLT, FLANGE	3	
21	90464-20181-00	CLAMP	1	
22	90464-13249-00	CLAMP	1	
23	90464-09008-00	CLAMP	1	
24	6DA-82105-00-00	BATTERY CABLE	1	AP
25	95895-08016-00	BOLT, FLANGE	1	AP
26	95333-08600-00	NUT	1	AP
27	92903-08100-00	WASHER, SPRING	1	AP

F200XB 1212 / ELECTRICAL 3



6DA1100-M190

©2013 Yamaha Motor Corporation, U.S.A. All rights reserved.


Part List

F200XB 1212 / ELECTRICAL 3

REF - NO	PART NUMBER	PART NAME	QUANTITY	REMARKS
1	6D8-82389-01-00	PLATE 2	1	
2	95895-06012-00	BOLT, FLANGE	1	
3	90464-20181-00	CLAMP	2	
4	90464-13249-00	CLAMP	2	
5	6CB-82310-00-00	IGNITION COIL ASSY	4	
6	95895-06025-00	BOLT, FLANGE	4	
7	6DA-82314-00-00	COVER, IGNITION COIL	1	
8	90480-12314-00	GROMMET	4	
9	6P2-85896-00-00	SENSOR, CAM POSITION	2	
10	6P2-85075-00-00	.O-RING	1	
11	97095-06020-00	BOLT	2	
12	92995-06600-00	WASHER	2	

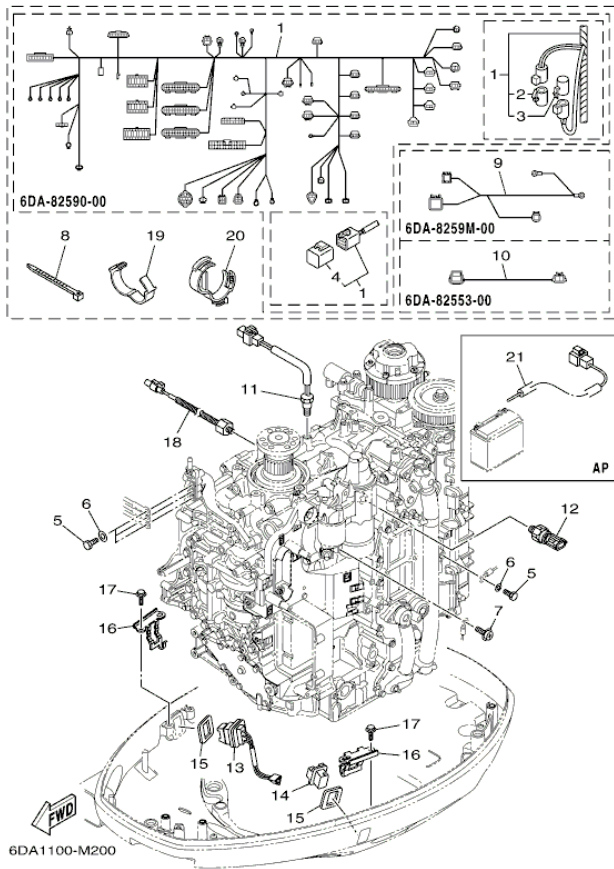
Part Notes

F200XB 1212 / ELECTRICAL 3

PART NUMBER	NOTE TEXT
90480-12314-00 	OEM: GROMMET used on F115TLR and F/LF115TXR 0510 Production and Later

©2013 Yamaha Motor Corporation, U.S.A. All rights reserved.

F200XB 1212 / ELECTRICAL 4



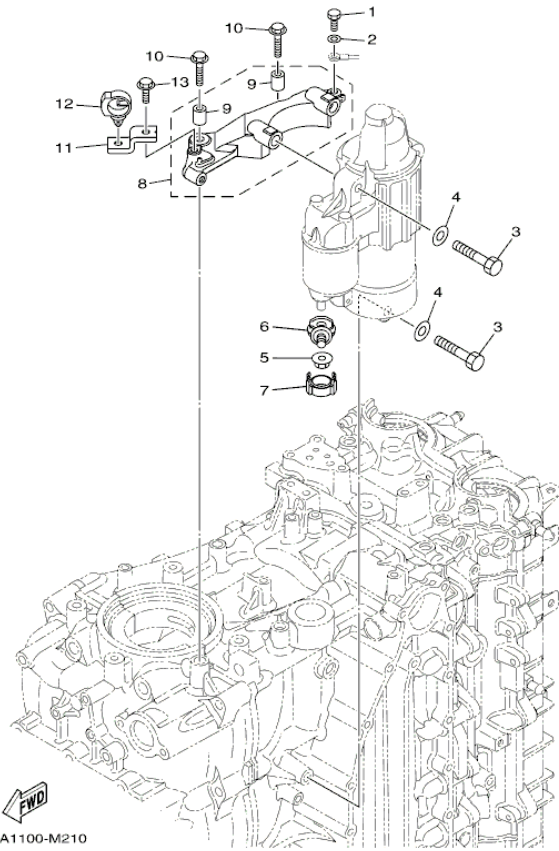
©2013 Yamaha Motor Corporation, U.S.A. All rights reserved.

Part List

F200XB 1212 / ELECTRICAL 4

REF - NO	PART NUMBER	PART NAME	QUANTITY	REMARKS
1	6DA-82590-00-00	WIRE HARNESS ASSY	1	
2	6DA-82582-00-00	.CAP 1 (FEMALE)	1	
3	6DA-82582-10-00	.CAP 1 (MALE)	1	
4	6Y8-82582-11-00	.CAP 1 (4PIN)	1	
5	97095-06016-00	BOLT	4	
6	92995-06600-00	WASHER	4	
7	97985-04308-00	SCREW, WITH WASHER	1	
8	90465-11M59-00	CLAMP	1	
9	6DA-8259M-00-00	WIRE HARNESS ASSY 2	1	
10	6DA-82553-00-00	EXTENSION, WIRE LEAD	1	
11	6CB-85790-00-00	THERMOSENSOR ASSY	1	
12	6AW-83651-00-00	SENDER, OIL PRESSURE	1	
13	69J-82563-00-00	TRIM & TILT SWITCH ASSY	1	
14	69J-42723-01-00	COVER, BOTTOM	1	
15	69J-82587-00-00	GASKET	2	
16	63P-83614-01-00	BRACKET	2	
17	95895-06012-00	BOLT, FLANGE	4	
18	6CJ-85780-00-00	SENSOR, KNOCK	1	
19	90464-26001-00	CLAMP	4	
20	90464-30003-00	CLAMP	2	
21	69J-81949-02-00	WIRE, LEAD (ISOLATOR, 3.8M)	1	AP

F200XB 1212 / ELECTRICAL 5



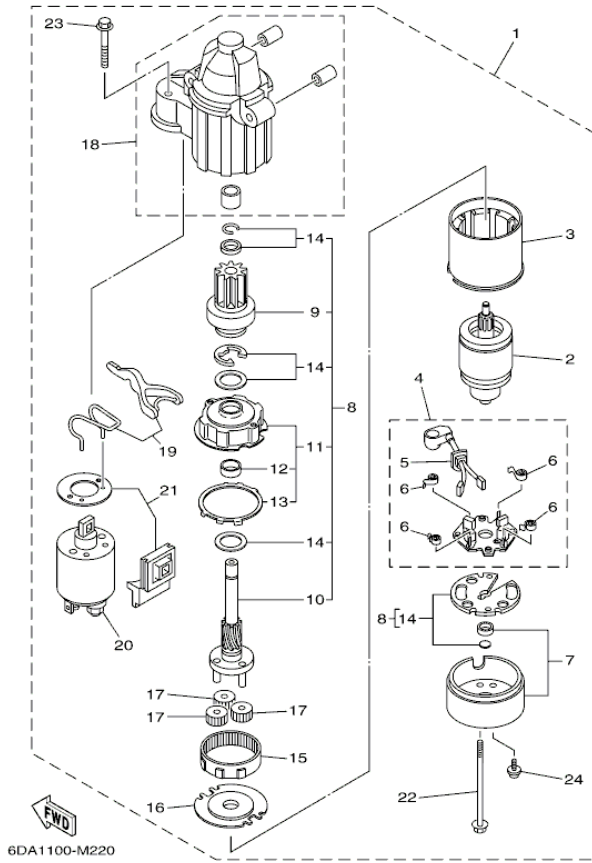
©2013 Yamaha Motor Corporation, U.S.A. All rights reserved.

Part List

F200XB 1212 / ELECTRICAL 5

REF - NO	PART NUMBER	PART NAME	QUANTITY	REMARKS
1	97095-06016-00	BOLT	1	
2	92995-06600-00	WASHER	1	
3	97013-08045-00	BOLT	3	
4	92903-08600-00	WASHER, PLATE	3	
5	90179-08003-00	NUT	1	
6	60V-81925-00-00	TERMINAL	1	
7	68F-82582-00-00	COVER, WIRE HARNESS	1	
8	6DA-81822-00-00	BRACKET, STARTING MOTOR	1	
9	99590-10114-00	.PIN, DOWEL	2	
10	90105-08M87-00	BOLT, FLANGE	2	
11	6DA-82388-00-00	PLATE	1	
12	90464-20181-00	CLAMP	1	
13	95895-06016-00	BOLT, FLANGE	1	

F200XB 1212 / STARTING MOTOR



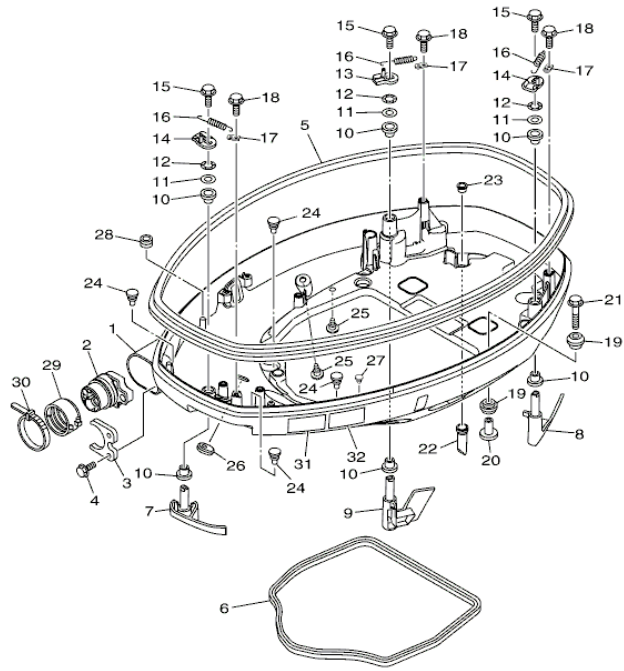
©2013 Yamaha Motor Corporation, U.S.A. All rights reserved.

Part List

F200XB 1212 / STARTING MOTOR

REF - NO	PART NUMBER	PART NAME	QUANTITY	REMARKS
1	6CB-81800-00-00	STARTING MOTOR ASSY	1	
2	67F-81850-00-00	.ARMATURE ASSY	1	
3	67F-81810-00-00	.STATOR ASSY	1	
4	69J-81840-00-00	.BRUSH HOLDER ASSY	1	
5	69J-81801-00-00	..BRUSH SET	1	
6	67F-81813-00-00	..SPRING, BRUSH	4	
7	6CB-81820-00-00	.REAR BRACKET ASSY	1	
8	6CB-81807-00-00	.GEAR ASSY, STARTING MOTOR	1	
9	6CB-81832-00-00	..CLUTCH, OVER RUN	1	
10	6CB-81836-00-00	..SHAFT, PINION	1	
11	67F-81821-00-00	..BRACKET, CENTER 1	1	
12	67F-81841-00-00	...BEARING	1	
13	67F-8183R-00-00	...GASKET	1	
14	6CB-81809-00-00	..WASHER KIT	1	
15	67F-81891-00-00	.GEAR, RING	1	WITH 67F-8183R-00
16	67F-81830-00-00	.BRACKET, CENTER 2	1	
17	60V-8183T-00-00	.GEAR, IDLER	3	
18	6CB-81842-00-00	.COVER	1	
19	6C5-81839-00-00	.LEVER ASSY	1	
20	6C5-81941-00-00	.STARTER RELAY ASSY	1	
21	6C5-81869-00-00	.COVER, DUST	1	
22	6CB-81826-00-00	.BOLT	2	
23	69J-81828-00-00	.SCREW 2	2	
24	67F-81846-00-00	.SCREW	2	

F200XB 1212 / BOTTOM COWLING 1



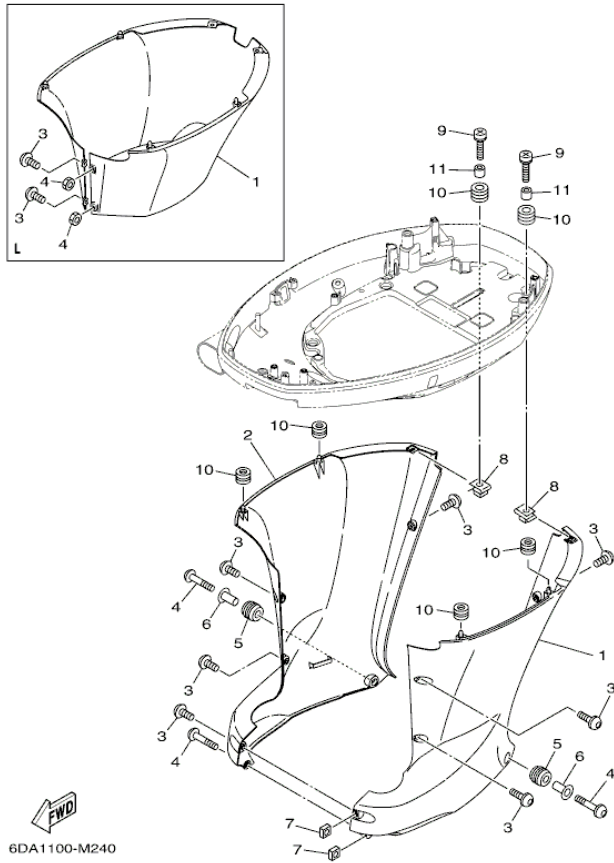
6DA1100-M230

Part List

F200XB 1212 / BOTTOM COWLING 1

REF - NO	PART NUMBER	PART NAME	QUANTITY	REMARKS
1	6DA-42710-00-8D	BOTTOM COWLING ASSY	1	
2	6DA-42725-00-00	GROMMET	1	
3	6CB-42761-00-00	STOPPER	1	
4	95895-06014-00	BOLT, FLANGE	2	
5	6DA-42615-00-00	SEAL	1	
6	63P-42716-00-00	RUBBER, SEAL 1	1	
7	6DA-42815-00-8D	LEVER, CLAMP	1	
8	6DA-42816-00-8D	LEVER, CLAMP	1	
9	6DA-42817-00-8D	LEVER, CLAMP	1	
10	90386-15M73-00	BUSH	6	
11	90201-156J2-00	WASHER, PLATE	3	
12	90206-15M18-00	WASHER, WAVE	3	
13	6CB-42818-00-00	LEVER, CLAMP	1	
14	6CB-42819-00-00	LEVER, CLAMP	2	
15	95880-08012-00	BOLT, FLANGE	3	
16	90506-22001-00	SPRING, TENSION	3	
17	66T-43144-00-00	HOOK, SPRING	3	
18	95895-06012-00	BOLT, FLANGE	3	
19	90480-22M81-00	GROMMET	8	
20	90387-08M37-00	COLLAR	4	
21	90119-08M22-00	BOLT, WITH WASHER	4	
22	6DA-42717-00-00	RUBBER, SEAL 2	4	
23	6DA-42384-00-00	SEAL, CAP	4	
24	6H4-42748-00-00	GROMMET	4	
25	6P2-44391-00-00	NIPPLE, HOSE	2	
26	61A-42727-00-00	GROMMET	1	
27	90269-07003-00	RIVET	1	
28	90480-13163-00	GROMMET	1	
29	68F-42753-00-00	FASTNER	1	AP
30	90464-20258-00	CLAMP	1	AP
31	6AH-42794-40-00	LABEL, WARNING (GENERAL)	1	
32	6AH-42794-50-00	LABEL, WARNING (GENERAL)	1	

F200XB 1212 / BOTTOM COWLING 2



©2013 Yamaha Motor Corporation, U.S.A. All rights reserved.


Part List

F200XB 1212 / BOTTOM COWLING 2

REF - NO	PART NUMBER	PART NAME	QUANTITY	REMARKS
1	6DA-42740-00-00	APRON COMPLETE 1	1	X(25.3")
2	6DA-42770-00-00	APRON COMPLETE 2	1	X(25.3")
3	90111-06111-00	BOLT,HEX. SOCKET BUTTON	7	X(25.3")
4	90111-06113-00	BOLT,HEX. SOCKET BUTTON	3	X(25.3")
5	90480-16009-00	GROMMET	2	X(25.3")
6	90387-07028-00	COLLAR	2	X(25.3")
7	90173-06001-00	NUT, SQUARE	2	X(25.3")
8	90183-061A6-00	NUT, SPRING	2	
9	90159-06053-00	SCREW, WITH WASHER	2	
10	90480-13M24-00	GROMMET	6	
11	90387-06M43-00	COLLAR	2	

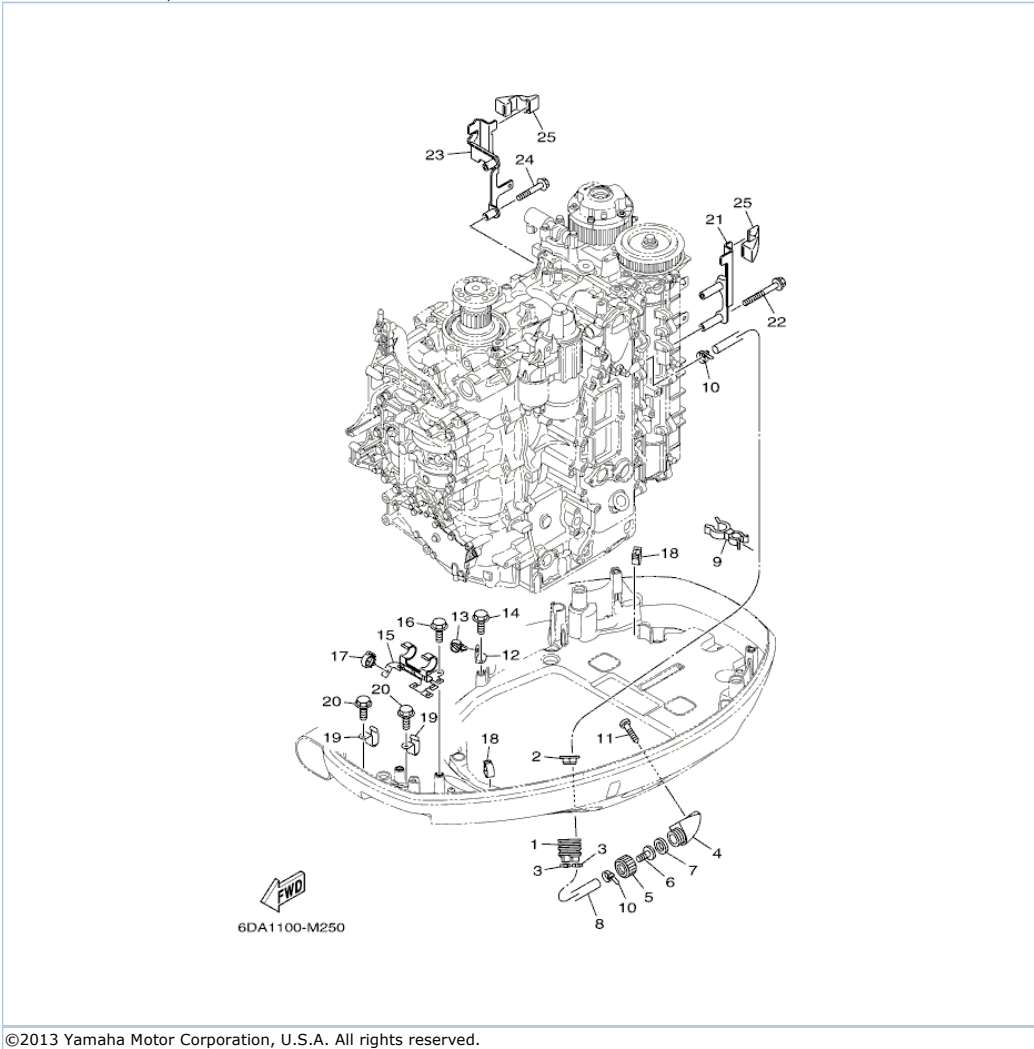
Part Notes

F200XB 1212 / BOTTOM COWLING 2

PART NUMBER	NOTE TEXT
90173-06001-00 	OEM: This part number is among the Top 100 Most Popular Marine Maintenance Parts as of August 2013.

©2013 Yamaha Motor Corporation, U.S.A. All rights reserved.

F200XB 1212 / BOTTOM COWLING 3



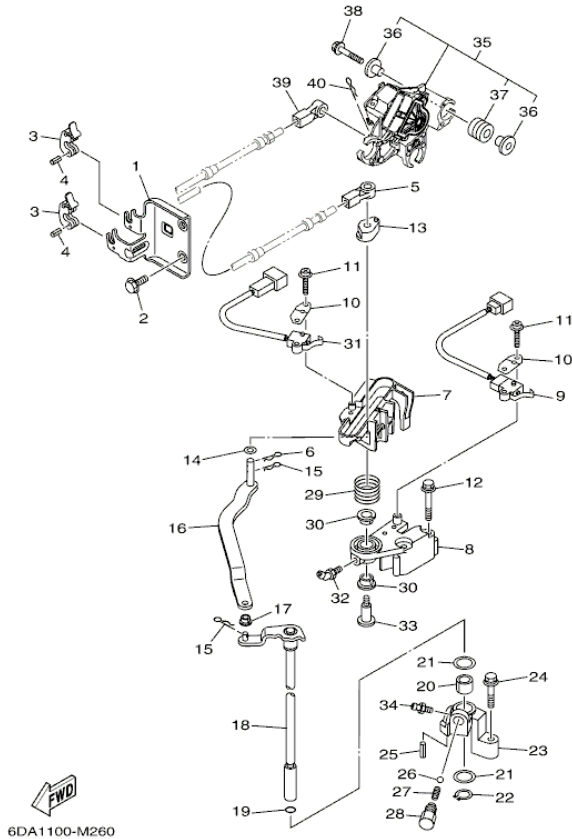
©2013 Yamaha Motor Corporation, U.S.A. All rights reserved.

Part List

F200XB 1212 / BOTTOM COWLING 3

REF - NO	PART NUMBER	PART NAME	QUANTITY	REMARKS
1	6H1-42726-21-00	GROMMET	1	
2	6BG-42384-00-00	SEAL, CAP	1	
3	90465-11M10-00	CLAMP	2	
4	6AW-12572-00-00	ADAPTER	1	
5	6R3-12581-00-00	JOINT, HOSE 1	1	FLUSHING KIT
6	6AW-12582-00-00	JOINT, HOSE 2	1	
7	6R3-12583-00-00	GASKET, HOSE JOINT	1	FLUSHING KIT
8	6DA-42541-00-00	PIPE 1	1	
9	90464-21256-00	CLAMP	1	
10	90465-11M10-00	CLAMP	2	
11	97780-60520-00	SCREW, TAPPING	2	
12	63P-42756-00-00	STAY, CLAMP	1	
13	90464-13249-00	CLAMP	1	
14	95895-06012-00	BOLT, FLANGE	1	
15	6DA-8366G-00-00	BRACKET 3	1	
16	95895-06012-00	BOLT, FLANGE	2	
17	90464-18246-00	.CLAMP	1	
18	90464-18004-00	CLAMP	2	
19	90462-12013-00	CLAMP	2	
20	95895-06012-00	BOLT, FLANGE	2	
21	6DA-11998-00-00	BRACKET 1	1	
22	95895-06065-00	BOLT, FLANGE	2	
23	6DA-11999-00-00	BRACKET 2	1	
24	95895-06040-00	BOLT, FLANGE	2	
25	6CB-42662-00-00	DAMPER	2	

F200XB 1212 / CONTROL



6DA1100-M260

©2013 Yamaha Motor Corporation, U.S.A. All rights reserved.


Part List

F200XB 1212 / CONTROL

REF - NO	PART NUMBER	PART NAME	QUANTITY	REMARKS
1	6DA-48531-00-00	BRACKET, REMOTE CONTROL	1	
2	95895-08020-00	BOLT, FLANGE	2	
3	6E5-48538-00-00	CLAMP, CABLE	2	
4	91690-30010-00	PIN, SPRING	2	
5	6E5-48344-00-00	CABLE END, REMOTE CONTROL	1	
6	90468-18008-00	CLIP	1	
7	6DA-44176-00-00	BRACKET	1	
8	63P-44117-00-00	BRACKET	1	
9	69J-8259F-00-00	SWITCH ASSY	1	
10	61A-82588-01-00	PLATE	2	
11	97985-04116-00	SCREW, WITH WASHER	4	
12	97595-06550-00	BOLT, WITH WASHER	2	
13	63P-44122-00-00	BUSHING, SHIFT ROD LEVER	1	
14	90202-08M20-00	WASHER, PLATE	1	
15	90468-18008-00	CLIP	2	
16	6DA-44121-00-00	LEVER, SHIFT ROD	1	
17	90386-06M12-00	BUSH	1	
18	6DA-44120-00-00	HANDLE GEAR SHIFT ASSY	1	X(25.3")
19	93210-09165-00	O-RING	1	
20	90386-16M66-00	BUSH	1	
21	90202-16061-00	WASHER, PLATE	2	
22	93410-16006-00	CIRCLIP	1	
23	63P-44118-00-00	BRACKET	1	
24	97575-06535-00	BOLT, WITH WASHER	1	
25	91690-30010-00	PIN, SPRING	1	
26	93501-04M02-00	BALL	1	
27	90501-12082-00	SPRING, COMPRESSION	1	
28	648-42715-00-00	BUSHING	1	
29	90508-20M31-00	SPRING, TORSION	1	
30	90386-12069-00	BUSH	2	
31	60V-8259F-00-00	SWITCH ASSY	1	
32	93700-06M01-00	NIPPLE, GREASE	1	
33	90109-08019-00	BOLT	1	
34	93700-06M03-00	NIPPLE, GREASE	1	
35	6DA-8A410-00-00	SENSOR UNIT	1	
36	69J-13716-00-00	.COLLAR	6	
37	6CB-13593-00-00	.DAMPER	3	
38	90119-06126-00	BOLT, WITH WASHER	3	
39	6E5-48344-00-00	CABLE END, REMOTE CONTROL	1	
40	90468-18008-00	CLIP	1	

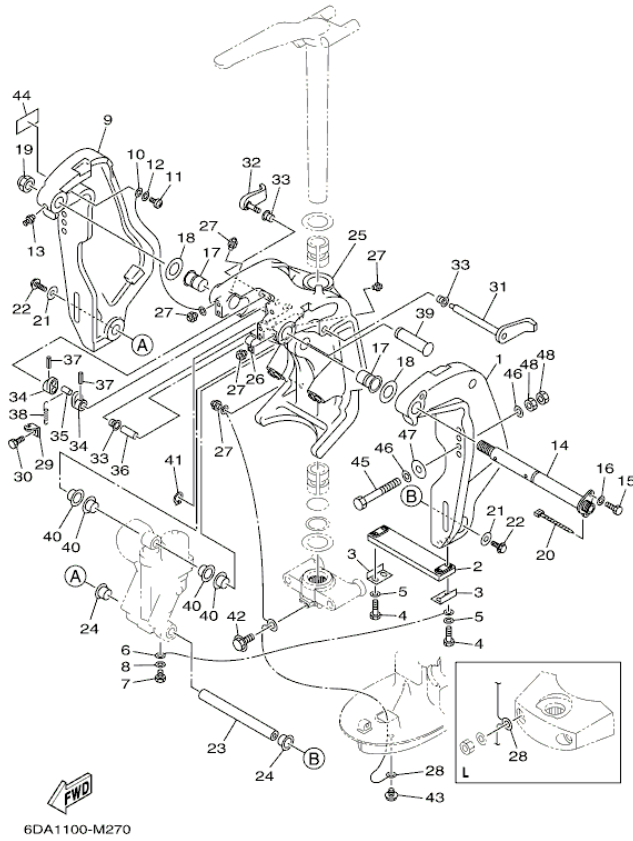
Part Notes

F200XB 1212 / CONTROL

PART NUMBER	NOTE TEXT
93700-06M03-00 	OEM: This part number is among the Top 100 Most Popular Marine Maintenance Parts as of August 2013.

©2013 Yamaha Motor Corporation, U.S.A. All rights reserved.

F200XB 1212 / BRACKET 1



6DA1100-M270

©2013 Yamaha Motor Corporation, U.S.A. All rights reserved.



Part List

F200XB 1212 / BRACKET 1

REF - NO	PART NUMBER	PART NAME	QUANTITY	REMARKS
1	64E-43111-02-8D	BRACKET, CLAMP 1	1	
2	6AW-45251-00-00	ANODE	1	
3	6G5-44526-00-00	PLATE	2	
4	97095-06030-00	BOLT	4	
5	92995-06600-00	WASHER	4	
6	6E5-82148-00-00	WIRE, LEAD 4	1	
7	97095-06010-00	BOLT	1	
8	92995-06600-00	WASHER	1	
9	64E-43112-02-8D	BRACKET, CLAMP 2	1	
10	6E5-82148-00-00	WIRE, LEAD 4	1	
11	97885-06012-00	SCREW, PAN HEAD	1	
12	92995-06600-00	WASHER	1	
13	93700-06M03-00	NIPPLE, GREASE	1	
14	64E-43131-30-00	BOLT, CLAMP BRACKET	1	
15	97095-08020-00	BOLT	1	
16	92995-08600-00	WASHER	1	
17	90386-25M31-00	BUSH	2	
18	90201-26M59-00	WASHER, PLATE	2	
19	90185-22M11-00	NUT, SELF-LOCKING	1	
20	90465-11M10-00	CLAMP	1	
21	90201-10060-00	WASHER, PLATE	2	
22	97575-10530-00	BOLT, WITH WASHER	2	
23	6BC-43818-00-00	PIN, LOWER SHOCK MOUNT	1	
24	90386-22M98-00	BUSH	2	
25	64E-43311-20-8D	BRACKET, SWIVEL 1	1	X(25.3")
26	90465-08M63-00	CLAMP	1	
27	93700-06M03-00	NIPPLE, GREASE	5	
28	6DA-82149-00-00	WIRE, LEAD 3	1	X(25.3")
29	6G5-43144-00-00	HOOK, SPRING	1	
30	97095-06010-00	BOLT	1	
31	6G5-43181-02-00	LEVER, TILT STOP 1	1	
32	6G5-43185-02-00	LEVER, TILT STOP 2	1	
33	90386-10M16-00	BUSH	3	
34	6G5-43148-00-00	COLLAR, DISTANCE	2	
35	90249-06M19-00	PIN	1	
36	90387-10M05-00	COLLAR	1	
37	91690-30020-00	PIN, SPRING	2	
38	90506-16003-00	SPRING, TENSION	1	
39	64E-43126-00-00	PIN, UPPER SHOCK MOUNT	1	
40	90386-22M98-00	BUSH	4	
41	93410-22M11-00	CIRCLIP	1	
42	95895-06010-00	BOLT, FLANGE	1	X(25.3")
43	95895-06010-00	BOLT, FLANGE	1	
44	63V-82377-50-00	LABEL (SPARK,IGNITION)	1	CAN
45	90101-12047-00	BOLT (L:150MM)	2	UR
45	90101-12M05-00	BOLT (L:130MM)	2	UR
46	90201-13M01-00	WASHER, PLATE	8	
47	90201-12426-00	WASHER, PLATE	4	
48	95380-12600-00	NUT	8	

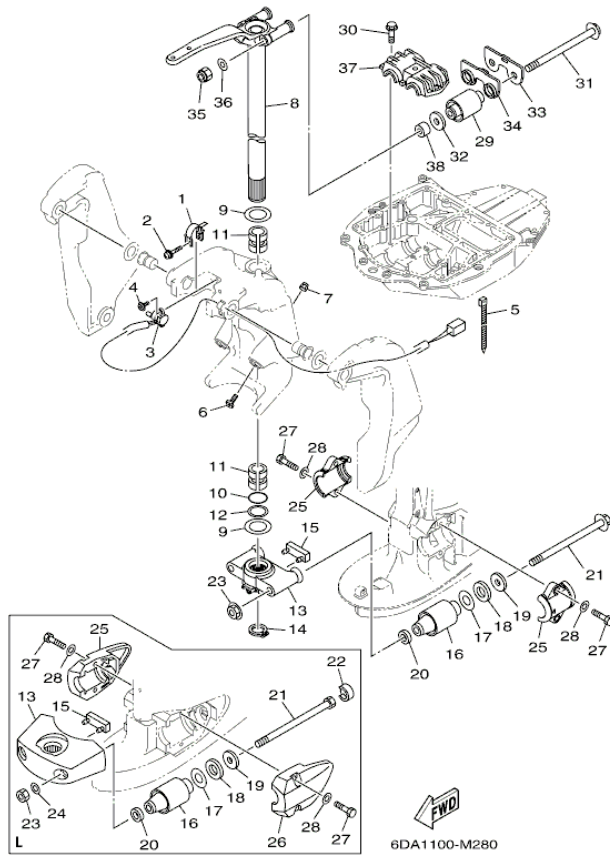
Part Notes

F200XB 1212 / BRACKET 1

PART NUMBER	NOTE TEXT
93700-06M03-00 	OEM: This part number is among the Top 100 Most Popular Marine Maintenance Parts as of August 2013.
93700-06M03-00 	OEM: This part number is among the Top 100 Most Popular Marine Maintenance Parts as of August 2013.

©2013 Yamaha Motor Corporation, U.S.A. All rights reserved.

F200XB 1212 / BRACKET 2



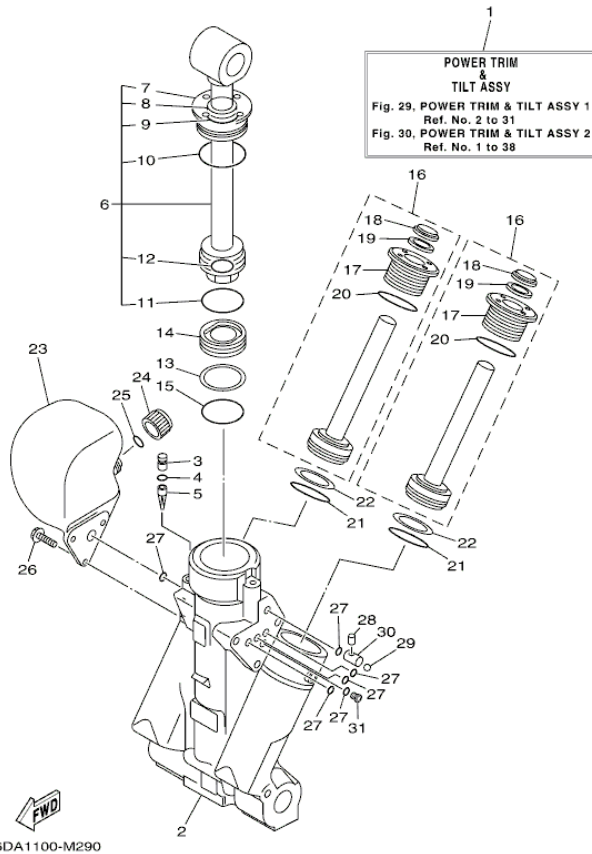
©2013 Yamaha Motor Corporation, U.S.A. All rights reserved.

Part List

F200XB 1212 / BRACKET 2

REF - NO	PART NUMBER	PART NAME	QUANTITY	REMARKS
1	64E-43139-10-00	CAM, TRIM SENDER	1	
2	90159-05059-00	SCREW, WITH WASHER	1	
3	67H-83672-01-00	TRIM SENDER	1	
4	97985-06216-00	SCREW, WITH WASHER	2	
5	90465-11M10-00	CLAMP	3	
6	61A-43376-00-00	BOLT, THRUST RECEIVER	2	
7	95780-10300-00	NUT, FLANGE	2	
8	6DA-42510-00-8D	STEERING BRACKET ASSY	1	X(25.3")
9	90201-38M60-00	WASHER, PLATE	2	
10	93210-37MH7-00	O-RING	1	
11	90386-38M32-00	BUSH	2	
12	90202-40M47-00	WASHER, PLATE	1	
13	6DA-44551-00-CA	HOUSING, LOWER MOUNT RUBBER 1	1	X(25.3")
14	93410-37M04-00	CIRCLIP	1	
15	6DA-44575-00-00	DAMPER, LOWER MOUNT RUBBER	1	X(25.3")
16	63P-44555-00-00	MOUNT DAMPER, LOWER SIDE	2	X(25.3")
17	90201-35008-00	WASHER, PLATE	2	
18	90202-32M19-00	WASHER, PLATE	2	
19	90201-16M55-00	WASHER, PLATE	2	
20	90201-15M58-00	WASHER, PLATE	2	
21	90105-14012-00	BOLT, FLANGE	2	X(25.3")
23	95604-14200-00	NUT, SELF-LOCKING	2	X(25.3")
25	6DA-44552-00-CA	HOUSING, LOWER MOUNT RUBBER 2	2	X(25.3")
27	97075-10040-00	BOLT	4	
28	92995-10600-00	WASHER	4	
29	6DA-44514-00-00	MOUNT DAMPER, UPPER SIDE	2	
30	90119-10024-00	BOLT, WITH WASHER	3	
31	90105-14009-00	BOLT, FLANGE	2	
32	90201-16M01-00	WASHER, PLATE	2	
33	6DA-44526-00-00	PLATE	1	
34	6DA-44532-00-00	STOPPER, UPPER MOUNT	1	
35	90185-14M00-00	NUT, SELF-LOCKING	2	
36	92995-14600-00	WASHER	2	
37	63P-44511-00-00	COVER, UPPER MOUNT	1	
38	90387-14004-00	COLLAR	2	

F200XB 1212 / POWER TRIM TILT ASSY 1



©2013 Yamaha Motor Corporation, U.S.A. All rights reserved.





Part List

F200XB 1212 / POWER TRIM TILT ASSY 1

REF - NO	PART NUMBER	PART NAME	QUANTITY	REMARKS
1	63P-43800-06-00	POWER TRIM & TILT ASSY	1	
2	64E-43825-03-00	HOUSING, TRIM & TILT	1	
3	6AW-4388J-00-00	PLUG 2	1	
4	93210-10M74-00	O-RING	1	
5	64E-43817-00-00	FILTER 2	1	
6	63P-43810-02-00	TILT PISTON SUB ASSY	1	
7	64E-43811-02-00	.SCREW, CYLINDER END	1	
8	64E-43898-00-00	.SEAL, DUST 2	1	
9	64E-43867-00-00	.O-RING	1	
10	64E-43866-00-00	.O-RING	1	
11	6E5-43862-00-00	.O-RING	1	
12	64E-43883-00-00	.O-RING	1	
13	6E5-43872-00-00	RING, BACK UP	1	
14	6E5-43814-02-00	PISTON, FREE	1	
15	6E5-43862-00-00	O-RING	1	
16	64E-43820-03-00	TRIM PISTON SUB ASSY	2	
17	64E-43821-03-00	.SCREW, TRIM CYLINDER END	1	
18	64E-43822-00-00	.SEAL, TRIM DUST	1	
19	64E-4384J-00-00	.SEAL, TRIM DOWN	1	
20	6G5-43864-00-00	.O-RING	1	
21	6E5-43864-00-00	O-RING	2	
22	6E5-43874-01-00	RING, BACK UP	2	
23	64E-43828-01-00	BODY, RESERVOIR	1	
24	64E-43829-01-00	PLUG, RESERVOIR	1	
25	64E-43897-00-00	O-RING	1	
26	64E-4388E-01-00	BOLT ,SCREW (L:14MM)	3	
27	64E-43869-00-00	O-RING	6	
28	64E-4381G-00-00	PIN	1	
29	6E5-43858-00-00	BALL	1	
30	64E-4382G-00-00	VALVE, SEAT	1	
31	64E-4384N-00-00	PLUG, ORIFICE	1	

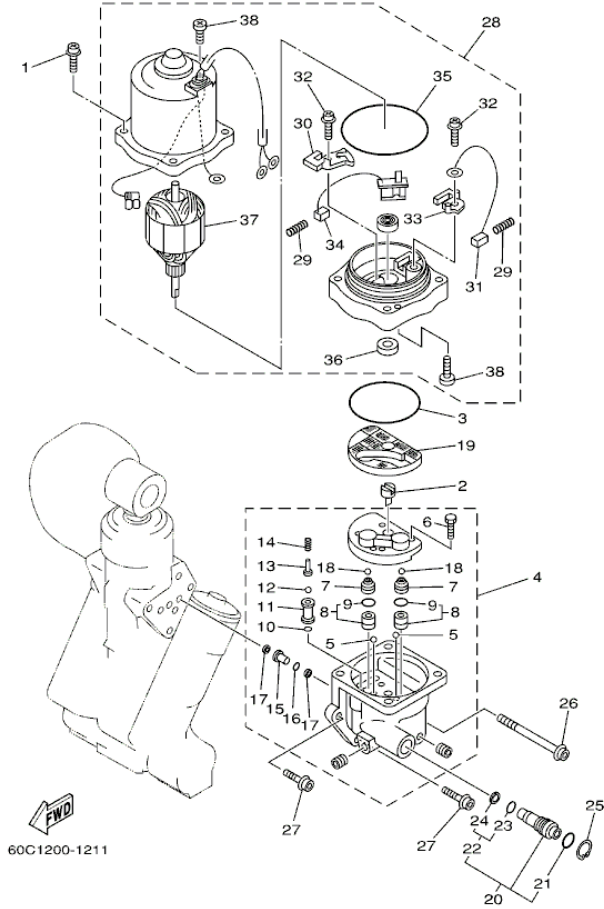
Part Notes

F200XB 1212 / POWER TRIM TILT ASSY 1

PART NUMBER		NOTE TEXT
64E-43822-00-00		OEM: This part number is among the Top 100 Most Popular Marine Maintenance Parts as of August 2013.
64E-4384J-00-00		OEM: This part number is among the Top 100 Most Popular Marine Maintenance Parts as of August 2013.
6G5-43864-00-00		OEM: This part number is among the Top 100 Most Popular Marine Maintenance Parts as of August 2013.
64E-43869-00-00		OEM: This part number is among the Top 100 Most Popular Marine Maintenance Parts as of August 2013.

©2013 Yamaha Motor Corporation, U.S.A. All rights reserved.

F200XB 1212 / POWER TRIM TILT ASSY 2



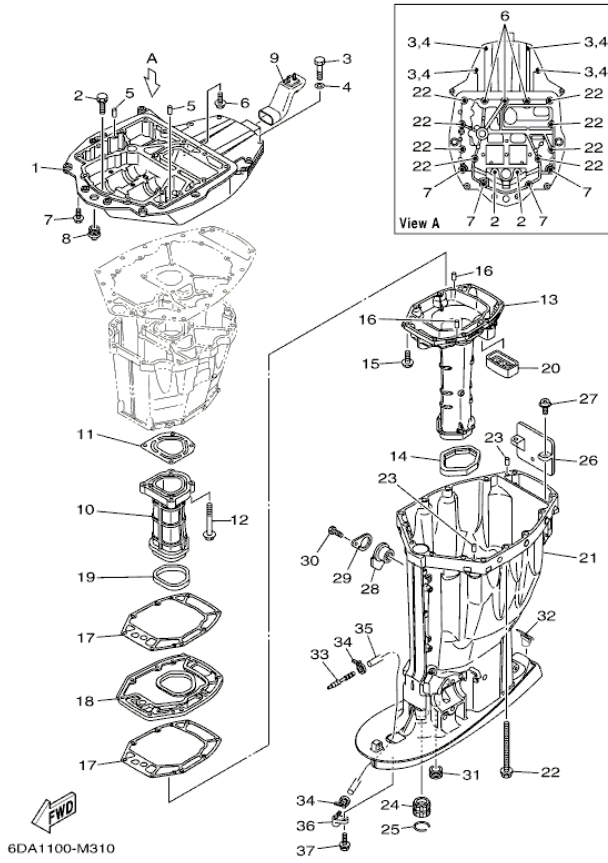
©2013 Yamaha Motor Corporation, U.S.A. All rights reserved.

Part List

F200XB 1212 / POWER TRIM TILT ASSY 2

REF - NO	PART NUMBER	PART NAME	QUANTITY	REMARKS
1	64E-4388E-11-00	BOLT ,SCREW (L:34.7MM)	4	
2	64E-43831-00-00	CONNECTOR, SHAFT	1	
3	64E-43868-00-00	O-RING	1	
4	64E-43830-01-00	GEAR PUMP ASSY	1	
5	72X-43858-00-00	.BALL	2	
6	64E-43843-00-00	.SCREW, VALVE LOCK	4	
7	6AW-43841-00-00	.PISTON, SHUTTLE	2	
8	64E-43802-00-00	.VALVE SUB ASSY	2	
9	6E5-43896-00-00	..O-RING	1	
10	6G5-43863-00-00	.O-RING	1	
11	64E-43851-00-00	.SEAT, RELIEF VALVE	1	
12	64E-43858-00-00	.BALL	1	
13	64E-43859-00-00	.PIN, VALVE SUPPORT	1	
14	64E-43855-00-00	.SPRING, UP RELIEF	1	
15	64E-43850-00-00	.VALVE SUB ASSY	1	
16	64E-43865-00-00	.O-RING	1	
17	64E-43816-00-00	.FILTER 1	2	
18	6AW-43858-00-00	.BALL	2	
19	64E-43817-11-00	FILTER 2	1	
20	64E-43860-01-00	MANUAL VALVE SUB-ASSY	1	
21	72X-85075-L0-00	.O-RING	1	
22	64E-43827-00-00	.RING SET	1	
23	64E-4387A-00-00	..O-RING	1	
24	64E-43873-00-00	..RING, BACK UP	1	
25	6AW-43875-00-00	RING, SNAP	1	
26	64E-43879-11-00	SCREW, WITH WASHER	1	
27	64E-43879-01-00	SCREW, WITH WASHER	2	
28	67H-43880-04-00	MOTOR ASSY	1	
29	6H1-4386K-10-00	.SPRING, BRUSH	2	
30	64E-4380J-00-00	.HOLDER, BRUSH	1	
31	64E-43891-00-00	.BRUSH 1	1	
32	97607-04310-00	.SCREW,WITH WASHER	2	
33	64E-4380F-00-00	.HOLDER, BRUSH 2	1	
34	64E-43892-00-00	.BREAKER COMP (BRUSH 2)	1	
35	6G5-43865-01-00	.O-RING	1	
36	93102-08M43-00	.OIL SEAL	1	
37	64E-43805-01-00	.ARMATURE ASSY	1	
38	64E-43843-10-00	.SCREW, VALVE LOCK	3	

F200XB 1212 / UPPER CASING



©2013 Yamaha Motor Corporation, U.S.A. All rights reserved.



Part List

F200XB 1212 / UPPER CASING

REF - NO	PART NUMBER	PART NAME	QUANTITY	REMARKS
1	63P-41137-03-CA	GUIDE, EXHAUST	1	
2	90119-08102-00	BOLT, WITH WASHER	2	
3	97075-10045-00	BOLT	4	
4	92995-10600-00	WASHER	4	
5	93608-16M16-00	PIN, DOWEL	2	
6	90119-08M58-00	BOLT, WITH WASHER	3	
7	97575-10535-00	BOLT, WITH WASHER	4	
8	6E5-42724-00-00	GROMMET	1	
9	6DA-42769-00-00	SEAL, RUBBER	1	
10	63P-41131-01-9S	MANIFOLD, EXT. 1	1	
11	63P-41133-A0-00	.GASKET, EXHAUST MANIFOLD 1	1	
12	97575-08560-00	BOLT, WITH WASHER	4	
13	6DA-14711-00-9S	MUFFLER 1	1	X(25.3")
14	69J-45123-00-00	.GASKET, MUFFLER	1	
15	97575-08535-00	BOLT, WITH WASHER	8	
16	93606-19M23-00	PIN, DOWEL	2	
17	63P-41134-A1-00	.GASKET, EXHAUST MANIFOLD	2	
18	63P-45181-01-9S	PLATE	1	
19	63P-41138-00-00	.SEAL, EXT. 1	1	
20	69J-45127-00-00	.SEAL	1	
21	6DA-45111-00-8D	CASING, UPPER	1	X(25.3")
22	90119-10007-00	BOLT, WITH WASHER	8	
23	93608-16M16-00	PIN, DOWEL	2	
24	6E5-45318-00-00	BUSHING, DRIVE SHAFT	1	
25	93420-36M01-00	CIRCLIP	1	
26	69J-14624-01-00	COVER, EXHAUST	1	
27	97980-06216-00	SCREW, WITH WASHER	2	
28	6BB-15316-00-00	DAMPER 1	1	X(25.3")
29	6BB-45152-01-00	COVER, UPPER CASING 2	1	X(25.3")
30	97095-06012-00	BOLT	1	X(25.3")
31	6E5-44366-00-00	DAMPER, WATER SEAL 2	1	
32	6DA-45155-00-00	CAP	1	X(25.3")
33	6E5-83558-00-00	END, NIPPLE	1	
34	90465-11M10-00	CLAMP	2	
35	90445-07018-00	HOSE (L1400)	1	X(25.3")
36	63P-45379-00-00	NIPPLE, HOSE	1	
37	90119-06M18-00	BOLT, WITH WASHER	1	

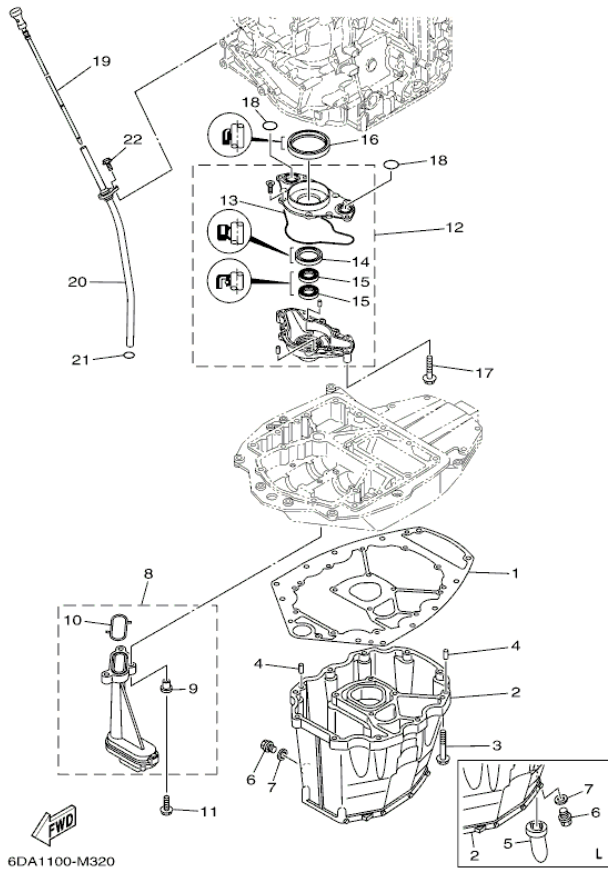
Part Notes

F200XB 1212 / UPPER CASING

PART NUMBER	NOTE TEXT
69J-45123-00-00	 OEM: If you are replacing damaged exhaust components on a 3.1L V6 Fourstroke, two kits have been developed to make choosing and ordering the correct parts easier. Ordering either MAR-EXHKT-03-00 (EXH KIT F200-225 for 2002-2003 models) or MAR-EXHKT-04-00 (EXH KIT F200-250 2004 models and up) will get you everything needed to rebuild the entire exhaust system.
69J-45127-00-00	 OEM: If you are replacing damaged exhaust components on a 3.1L V6 Fourstroke, two kits have been developed to make choosing and ordering the correct parts easier. Ordering either MAR-EXHKT-03-00 (EXH KIT F200-225 for 2002-2003 models) or MAR-EXHKT-04-00 (EXH KIT F200-250 2004 models and up) will get you everything needed to rebuild the entire exhaust system.

©2013 Yamaha Motor Corporation, U.S.A. All rights reserved.

F200XB 1212 / OIL PAN



©2013 Yamaha Motor Corporation, U.S.A. All rights reserved.


Part List

F200XB 1212 / OIL PAN

REF - NO	PART NUMBER	PART NAME	QUANTITY	REMARKS
1	63P-15312-01-00	.GASKET, OIL PAN	1	
2	6DA-15311-00-CA	OIL PAN	1	X(25.3")
3	97575-08535-00	BOLT, WITH WASHER	10	
4	93608-16M16-00	PIN, DOWEL	2	
6	90340-14M06-00	PLUG, STRAIGHT SCREW	1	
7	90430-14M09-00	.GASKET	1	
8	63P-13411-00-00	STRAINER, OIL	1	
9	90387-06263-00	.COLLAR	3	
10	63P-13415-00-00	.SEAL, OIL STRAINER	1	
11	95812-06025-00	BOLT, FLANGE	3	
12	6DA-13300-00-00	OIL PUMP ASSY	1	
13	6DA-13329-00-00	.GASKET, PUMP COVER	1	
14	6AW-13119-00-00	.OIL SEAL	1	
15	69J-13631-00-00	.OIL SEAL	2	
16	6CB-11355-00-00	.SEAL, CYLINDER 1	1	
17	97575-06540-00	BOLT, WITH WASHER	4	
18	93210-25552-00	O-RING	2	
19	6DA-15362-00-00	PLUG, OIL LEVEL	1	
20	6DA-15377-00-00	GUIDE, INLET	1	
21	93210-19MJ3-00	.O-RING	1	
22	95895-06016-00	BOLT, FLANGE	1	

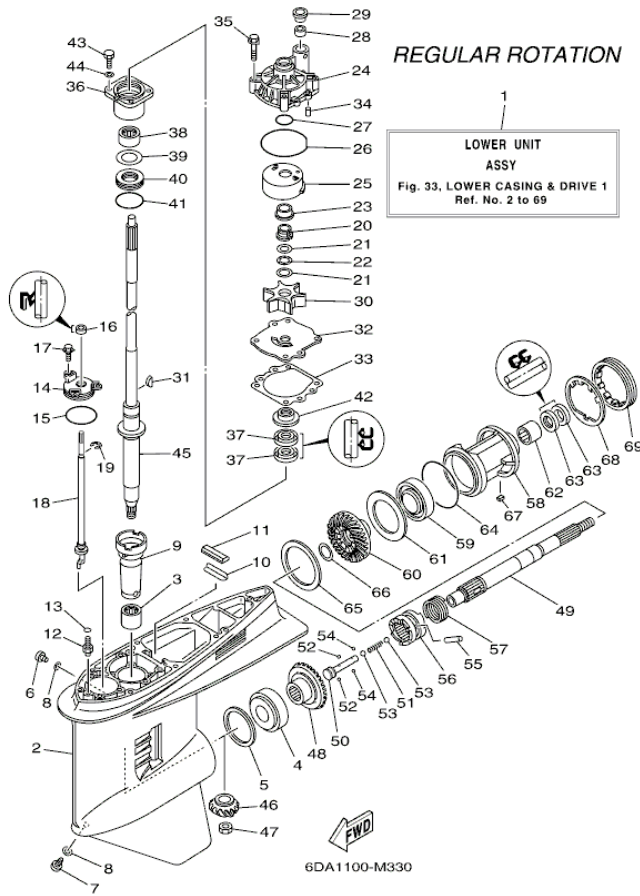
Part Notes

F200XB 1212 / OIL PAN

PART NUMBER	NOTE TEXT
90430-14M09-00 	OEM: This part number is among the Top 100 Most Popular Marine Maintenance Parts as of August 2013.

©2013 Yamaha Motor Corporation, U.S.A. All rights reserved.

F200XB 1212 / LOWER CASING DRIVE 1



©2013 Yamaha Motor Corporation, U.S.A. All rights reserved.

Part List











F200XB 1212 / LOWER CASING DRIVE 1

REF - NO	PART NUMBER	PART NAME	QUANTITY	REMARKS
1	6DA-45300-10-8D	LOWER UNIT ASSY	1	X(25.3"),RH
2	6J9-45301-07-8D	CASING, LOWER	1	
3	93311-928U5-00	BEARING	1	
4	93332-000V3-00	BEARING	1	
5	6G5-45567-01-00	SHIM (T:0.10MM)	1	UR
5	6G5-45567-10-00	SHIM (T:0.12MM)	1	UR
5	6G5-45567-20-00	SHIM (T:0.15MM)	1	UR
5	6G5-45567-60-00	SHIM (T:0.50MM)	1	UR
5	6G5-45567-40-00	SHIM (T:0.30MM)	1	UR
5	6G5-45567-50-00	SHIM (T:0.40MM)	1	UR
5	6G5-45567-30-00	SHIM (T:0.18MM)	1	UR
6	90340-08002-00	PLUG, STRAIGHT SCREW	1	
7	688-45341-10-00	PLUG, DRAIN	1	
8	90430-08020-00	.GASKET	2	
9	6G5-45536-01-00	SLEEVE, DRIVE SHAFT	1	
10	663-45376-00-00	GUIDE, SEAL DAMPER	1	
11	688-45375-00-00	DAMPER, SEAL	1	
12	63P-45378-00-00	NIPPLE, HOSE	1	
13	93210-07003-00	O-RING	1	
14	6E5-45321-00-00	PLATE	1	
15	93210-58144-00	.O-RING	1	
16	93106-09014-00	.OIL SEAL	1	
17	90119-06M10-00	BOLT, WITH WASHER	3	
18	63P-44150-01-00	SHIFT CAM ASSY	1	L(20.3"),RH
19	99001-08600-00	CIRCLIP	1	
20	61A-45538-00-00	SPACER 1	1	
21	90201-22M01-00	WASHER, PLATE	2	
22	90206-22M19-00	WASHER, WAVE	1	
23	61A-45527-00-00	COLLAR, DRIVE SHAFT	1	
24	61A-44311-01-00	HOUSING, WATER PUMP	1	
25	61A-44322-02-00	.INSERT, CARTRIDGE	1	
26	93210-86M38-00	.O-RING	1	
27	93210-37160-00	.O-RING	1	
28	6E5-44365-00-00	DAMPER, WATER SEAL 1	1	
29	6E5-44312-00-00	COVER, WATER PUMP HOUSING	1	
30	6E5-44352-01-00	.IMPELLER	1	
31	90280-04M05-00	.KEY, WOODRUFF	1	
32	6G5-44323-01-00	.OUTER PLATE, CARTRIDGE	1	
33	6E5-44315-A0-00	.GASKET, WATER PUMP	1	
34	93606-12019-00	.PIN, DOWEL	2	
35	90119-08M14-00	.BOLT, WITH WASHER	4	
36	6E5-45331-00-9S	HOUSING, BEARING	1	
37	93101-28M16-00	.OIL SEAL	2	
38	93317-330U2-00	BEARING	1	
39	6E5-45587-01-00	SHIM (T:0.10MM)	1	UR
39	6E5-45587-10-00	SHIM (T:0.12MM)	1	UR
39	6E5-45587-20-00	SHIM (T:0.15MM)	1	UR
39	6E5-45587-60-00	SHIM (T:0.50MM)	1	UR
39	6E5-45587-40-00	SHIM (T:0.30MM)	1	UR
39	6E5-45587-50-00	SHIM (T:0.40MM)	1	UR
39	6E5-45587-30-00	SHIM (T:0.18MM)	1	UR
40	93341-930V2-00	BEARING	1	
41	93210-55M14-00	.O-RING	1	
42	6E5-45344-00-00	COVER, OIL SEAL	1	
43	97095-08025-00	BOLT	4	
44	92995-08600-00	WASHER	4	
45	63P-45501-11-00	DRIVE SHAFT COMP.	1	X(25.3")
46	6DA-45551-00-00	PINION (14T)	1	
47	90170-16M01-00	NUT	1	
48	6DA-45560-00-00	GEAR 1 (26T)	1	
49	6J9-45611-01-00	SHAFT, PROPELLER	1	
50	6E5-45634-02-00	SLIDE, SHIFT	1	
51	90501-16M37-00	SPRING, COMPRESSION	1	
52	93507-32009-00	.BALL	2	
53	93511-32017-00	BALL	2	
54	93503-16003-00	BALL	2	

55	90250-08M07-00	PIN, STRAIGHT	1	
56	6DA-45631-00-00	CLUTCH, DOG	1	
57	6E5-45633-01-00	RING, CROSS PIN	1	
58	6J9-45332-00-CA	HOUSING, BEARING	1	
59	93306-209U0-00	BEARING	1	
60	6DA-45571-00-00	GEAR 2 (26T)	1	
61	6G5-45576-10-00	WASHER, THRUST 2	1	
62	93315-43061-00	BEARING	1	
63	93101-30M17-00	.OIL SEAL	2	
64	93210-97M55-00	.O-RING	1	
65	6G5-45577-02-00	SHIM (T:0.10MM)	1	UR
65	6G5-45577-10-00	SHIM (T:0.12MM)	1	UR
65	6G5-45577-20-00	SHIM (T:0.15MM)	1	UR
65	6G5-45577-60-00	SHIM (T:0.50MM)	1	UR
65	6G5-45577-40-00	SHIM (T:0.30MM)	1	UR
65	6G5-45577-50-00	SHIM (T:0.40MM)	1	UR
65	6G5-45577-30-00	SHIM (T:0.18MM)	1	UR
66	90201-30M92-00	WASHER, PLATE	1	
67	90282-04M00-00	KEY, STRAIGHT	1	
68	6G5-45383-01-00	WASHER, CLAW	1	
69	6G5-45384-02-00	NUT	1	

Part Notes

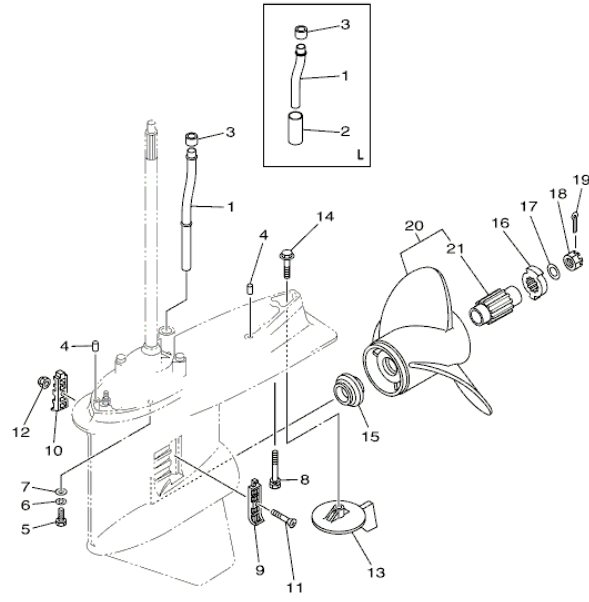
F200XB 1212 / LOWER CASING DRIVE 1

PART NUMBER		NOTE TEXT
90430-08020-00		OEM: This part number is among the Top 100 Most Popular Marine Maintenance Parts as of August 2013.
93106-09014-00		OEM: This part number is among the Top 100 Most Popular Marine Maintenance Parts as of August 2013.
61A-45538-00-00		OEM: This part number is among the Top 100 Most Popular Marine Maintenance Parts as of August 2013.
90201-22M01-00		OEM: This part number is among the Top 100 Most Popular Marine Maintenance Parts as of August 2013.
61A-45527-00-00		OEM: This part number is among the Top 100 Most Popular Marine Maintenance Parts as of August 2013.
61A-44311-01-00		OEM: This part number is among the Top 100 Most Popular Marine Maintenance Parts as of August 2013.
93210-86M38-00		OEM: This part number is among the Top 100 Most Popular Marine Maintenance Parts as of August 2013.
6E5-44352-01-00		OEM: This part number is among the Top 100 Most Popular Marine Maintenance Parts as of August 2013.
93101-28M16-00		OEM: This part number is among the Top 100 Most Popular Marine Maintenance Parts as of August 2013.
93101-30M17-00		OEM: This part number is among the Top 100 Most Popular Marine Maintenance Parts as of August 2013.

©2013 Yamaha Motor Corporation, U.S.A. All rights reserved.

F200XB 1212 / LOWER CASING DRIVE 2

REGULAR ROTATION




6DA1100-M340

©2013 Yamaha Motor Corporation, U.S.A. All rights reserved.




Part List

F200XB 1212 / LOWER CASING DRIVE 2

REF - NO	PART NUMBER	PART NAME	QUANTITY	REMARKS
1	6DA-44361-00-00	TUBE, WATER 1	1	X(25.3")
3	6E5-44365-00-00	DAMPER, WATER SEAL 1	1	
4	93608-16M16-00	PIN, DOWEL	2	
5	97095-10045-00	BOLT	6	
6	92995-10100-00	WASHER	6	
7	92995-10600-00	WASHER	6	
8	90119-10MA2-00	BOLT, WITH WASHER	1	
9	6J9-45214-00-00	COVER, WATER INLET 1	1	
10	6J9-45215-00-00	COVER, WATER INLET 2	1	
11	90152-05M08-00	SCREW, COUNTERSUNK	1	
12	90185-05002-00	NUT, NYLON	1	
13	6J9-45371-01-00	TAB-TRIM	1	
14	90105-10M00-00	BOLT, FLANGE	1	
15	63P-45987-00-00	SPACER 1	1	
16	6CE-45997-00-00	SPACER 2	1	
17	92990-18200-00	WASHER	1	
18	90171-18M04-00	NUT, CASTLE	1	
19	91490-40030-00	PIN. COTTER	1	
20	68F-45970-10-00	PROPELLER (3X14-1/2"X15"-M)	1	UR
20	68F-45972-10-00	PROPELLER (3X14-1/4"X17"-M)	1	UR
20	68F-45978-10-00	PROPELLER (3X14-1/4"X18"-M)	1	UR
20	68F-45976-10-00	PROPELLER (3X13-3/4"X21"-M)	1	UR
20	68F-45974-10-00	PROPELLER (3X13-3/4"X19"-M)	1	UR
21	6CE-45C81-00-00	.DAMPER RUBBER, PROPELLER 1	1	

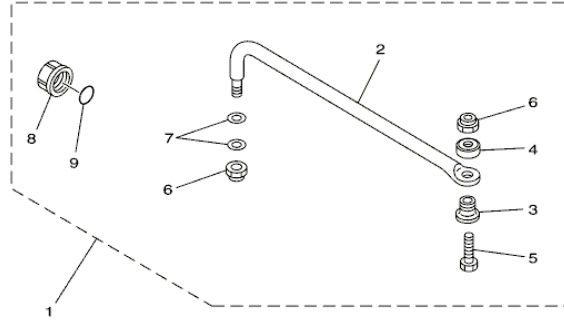
Part Notes

F200XB 1212 / LOWER CASING DRIVE 2

PART NUMBER	NOTE TEXT
6J9-45371-01-00 	OEM: This part number is among the Top 100 Most Popular Marine Maintenance Parts as of August 2013.
90105-10M00-00 	OEM: This part number is among the Top 100 Most Popular Marine Maintenance Parts as of August 2013.
91490-40030-00 	OEM: This part number is among the Top 100 Most Popular Marine Maintenance Parts as of August 2013.

©2013 Yamaha Motor Corporation, U.S.A. All rights reserved.

F200XB 1212 / STEERING GUIDE



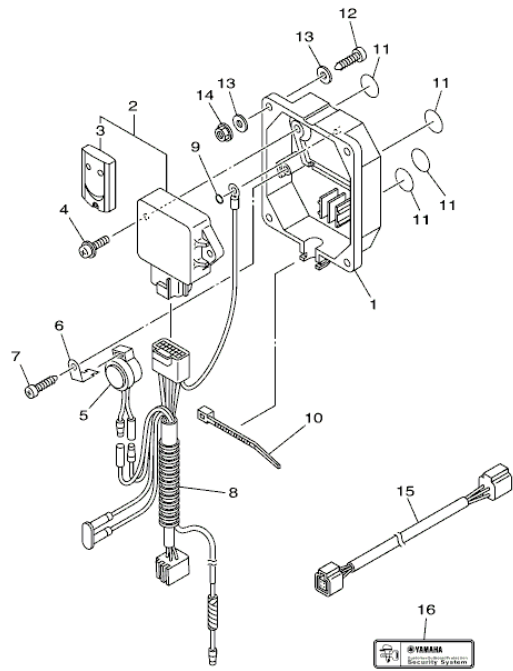
67H0100-9290

Part List

F200XB 1212 / STEERING GUIDE

REF - NO	PART NUMBER	PART NAME	QUANTITY	REMARKS
1	6E5-61350-02-00	STEERING GUIDE ATTACHMENT KIT	1	AP
2	6E5-61351-01-00	.ROD, STEERING LINK	1	
3	90387-10M61-00	.COLLAR	1	
4	90560-12M01-00	.SPACER	1	
5	6E5-61355-00-00	.BOLT	1	
6	90185-09M01-00	.NUT, SELF-LOCKING	2	
7	90201-10M20-00	.WASHER, PLATE	2	
8	6E5-43145-01-00	.CAP, CLAMP BRACKET	1	
9	93210-16275-00	.O-RING	1	

F200XB 1212 / OPTIONAL PARTS 1



6CJ1100-K370

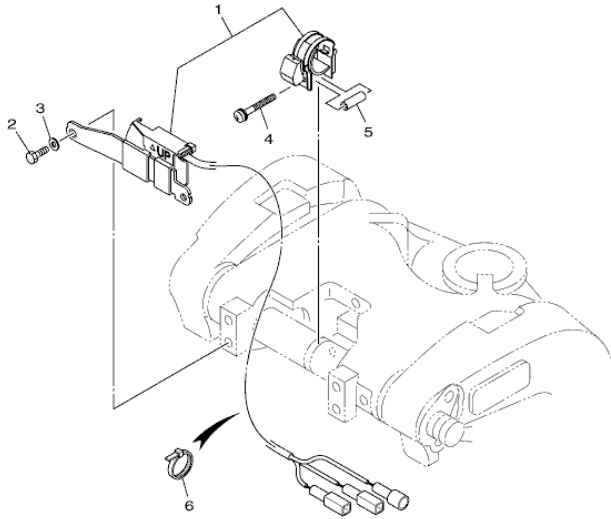
©2013 Yamaha Motor Corporation, U.S.A. All rights reserved.

Part List

F200XB 1212 / OPTIONAL PARTS 1

REF - NO	PART NUMBER	PART NAME	QUANTITY	REMARKS
1	6Y8-86267-00-00	CASE COMPLETE 1	1	
2	6Y8-86260-12-00	REMOTE CONTROL UNIT ASSY	1	
3	6AA-86261-22-00	.TRANSMITTER COMP	2	
4	97980-06216-00	SCREW, WITH WASHER	2	
5	6X4-83383-00-00	BUZZER	1	
6	6X4-83386-00-00	STAY, BUZZER	1	
7	97780-60620-00	SCREW, TAPPING	1	
8	6Y8-82509-10-00	WIRE, SUB LEAD	1	
9	93210-04279-00	O-RING	1	
10	90465-11M10-00	CLAMP	1	
11	6Y8-8454G-00-00	PATCH 1	4	
12	97880-06035-00	SCREW, PAN HEAD	4	UR
12	90167-06M00-00	SCREW, TAPPING	4	UR
13	90201-06M30-00	WASHER, PLATE	8	
14	95780-06300-00	NUT, FLANGE	4	
15	6Y8-82521-11-00	2FT PIGTAIL BUS	1	
16	6Y8-48277-00-00	STICKER 1	4	

F200XB 1212 / OPTIONAL PARTS 2



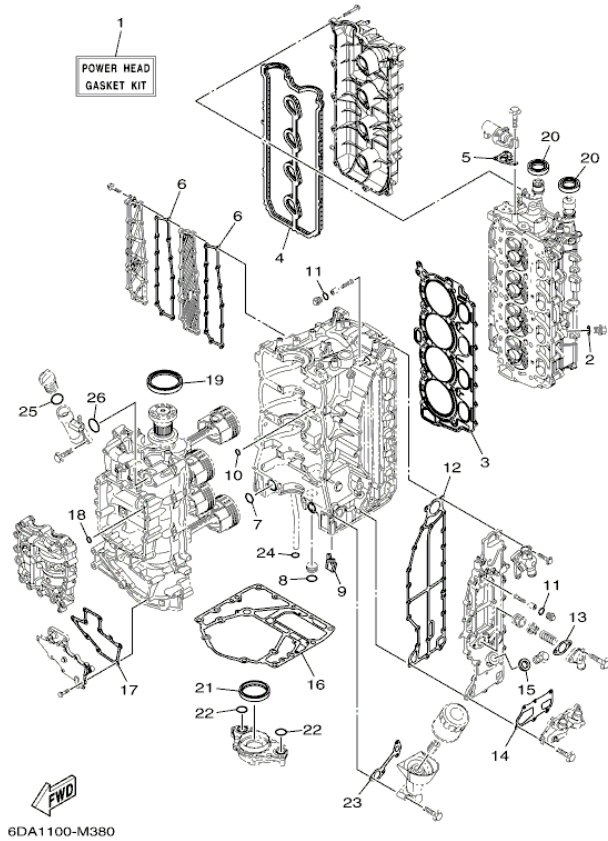
©2013 Yamaha Motor Corporation, U.S.A. All rights reserved.

Part List

F200XB 1212 / OPTIONAL PARTS 2

REF - NO	PART NUMBER	PART NAME	QUANTITY	REMARKS
1	63P-825E0-01-00	TILT LIMIT SWITCH ASSY	1	
2	97095-06016-00	BOLT	2	
3	92995-06600-00	WASHER	2	
4	90159-05059-00	SCREW, WITH WASHER	1	
5	90387-05004-00	COLLAR	1	
6	90465-11M10-00	CLAMP	5	

F200XB 1212 / REPAIR KIT 1



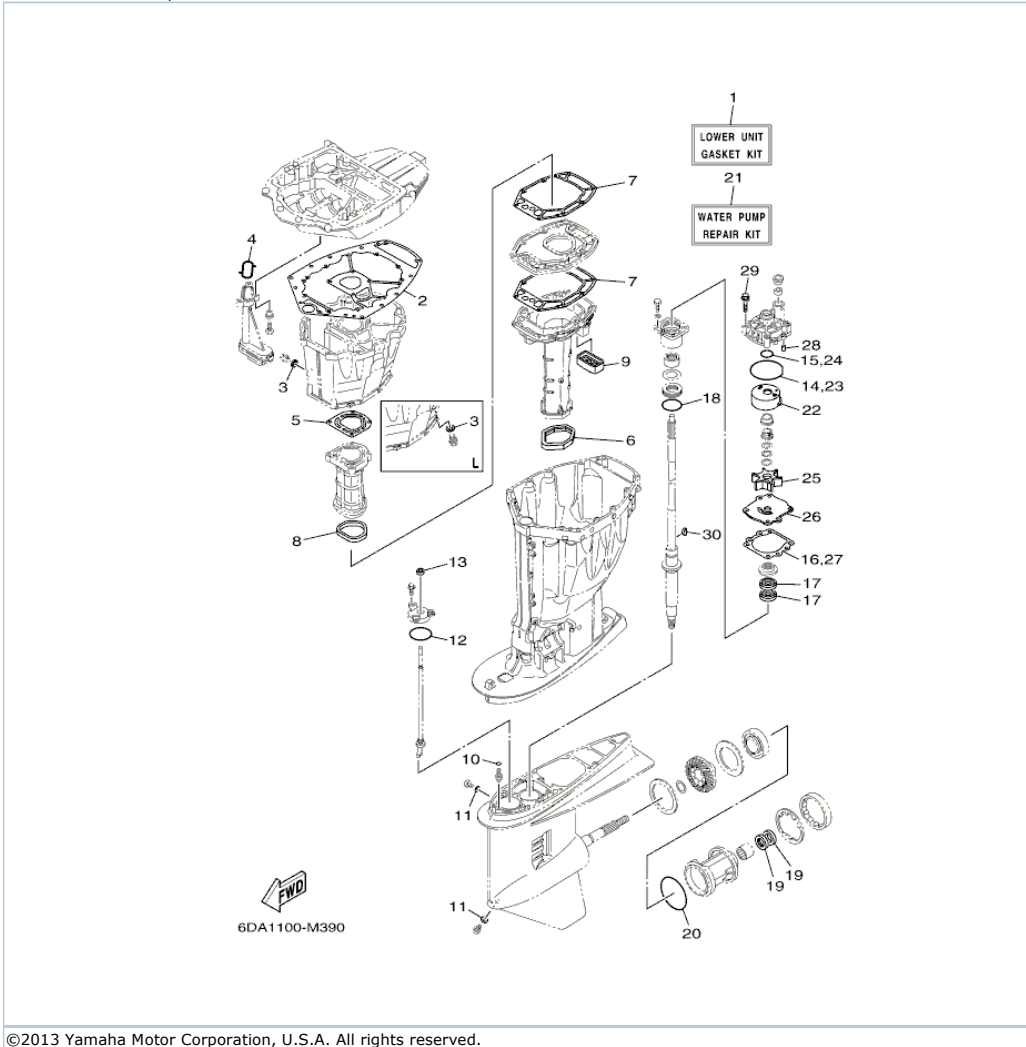
©2013 Yamaha Motor Corporation, U.S.A. All rights reserved.

Part List

F200XB 1212 / REPAIR KIT 1

REF - NO	PART NUMBER	PART NAME	QUANTITY	REMARKS
1	6DA-W0001-00-00	POWER HEAD GASKET KIT	1	
2	90430-14115-00	.GASKET	1	
3	6DA-11181-00-00	.GASKET, CYLINDER HEAD 1	1	
4	6DA-11193-00-00	.GASKET, HEAD COVER 1	1	
5	6CB-1242F-00-00	.GASKET, FILTER	1	
6	6DA-15353-00-00	.GASKET, DRAIN	2	
7	93210-25552-00	.O-RING	2	
8	93210-25647-00	.O-RING	1	
9	6DA-14664-00-00	.GROMMET, WATER SHUT	1	
10	93210-12648-00	.O-RING	1	
11	93210-13M63-00	.O-RING	2	
12	6DA-41114-00-00	.GASKET, EXHAUST OUTER COVER	1	
13	60V-11382-A0-00	.GASKET 2	1	
14	6DA-11381-00-00	.GASKET 1	1	
15	90430-18130-00	.GASKET	1	
16	63P-11351-01-00	.GASKET, CYLINDER	1	
17	6DA-15451-00-00	.GASKET, CRANKCASE COVER 1	1	
18	93210-08001-00	.O-RING	1	
19	93102-85008-00	.OIL SEAL	1	
20	93102-38008-00	.OIL SEAL	2	
21	6CB-11355-00-00	.SEAL, CYLINDER 1	1	
22	93210-25552-00	.O-RING	2	
23	6DA-13475-00-00	.GASKET	1	
24	93210-19MJ3-00	.O-RING	1	
25	93210-24M79-00	.O-RING	1	
26	93210-357A3-00	.O-RING	1	

F200XB 1212 / REPAIR KIT 2














Part List

F200XB 1212 / REPAIR KIT 2

REF - NO	PART NUMBER	PART NAME	QUANTITY	REMARKS
1	63P-W0001-21-00	LOWER UNIT GASKET KIT	1	
2	63P-15312-01-00	.GASKET, OIL PAN	1	
3	90430-14M09-00	.GASKET	1	
4	63P-13415-00-00	.SEAL, OIL STRAINER	1	
5	63P-41133-A0-00	.GASKET, EXHAUST MANIFOLD 1	1	
6	69J-45123-00-00	.GASKET, MUFFLER	1	
7	63P-41134-A1-00	.GASKET, EXHAUST MANIFOLD	2	
8	63P-41138-00-00	.SEAL, EXT 1	1	
9	69J-45127-00-00	.SEAL	1	
10	93210-07003-00	.O-RING	2	
11	90430-08020-00	.GASKET	2	
12	93210-58144-00	.O-RING	1	
13	93106-09014-00	.OIL SEAL	1	
14	93210-86M38-00	.O-RING	1	
15	93210-37160-00	.O-RING	1	
16	6E5-44315-A0-00	.GASKET, WATER PUMP	1	
17	93101-28M16-00	.OIL SEAL	2	
18	93210-55M14-00	.O-RING	1	
19	93101-30M17-00	.OIL SEAL	2	
20	93210-97M55-00	.O-RING	1	
21	61A-W0078-A3-00	WATER PUMP REPAIR KIT	1	
22	61A-44322-02-00	.INSERT, CARTRIDGE	1	
23	93210-86M38-00	.O-RING	1	
24	93210-37160-00	.O-RING	1	
25	6E5-44352-01-00	.IMPELLER	1	
26	6G5-44323-01-00	.OUTER PLATE, CARTRIDGE	1	
27	6E5-44315-A0-00	.GASKET, WATER PUMP	1	
28	93606-12019-00	.PIN, DOWEL	2	
29	90119-08M14-00	.BOLT, WITH WASHER	4	
30	90280-04M05-00	.KEY, WOODRUFF	1	

Part Notes

F200XB 1212 / REPAIR KIT 2

PART NUMBER	NOTE TEXT
90430-14M09-00	 OEM: This part number is among the Top 100 Most Popular Marine Maintenance Parts as of August 2013.
69J-45123-00-00	 OEM: If you are replacing damaged exhaust components on a 3.1L V6 Fourstroke, two kits have been developed to make choosing and ordering the correct parts easier. Ordering either MAR-EXHKT-03-00 (EXH KIT F200-225 for 2002-2003 models) or MAR-EXHKT-04-00 (EXH KIT F200-250 2004 models and up) will get you everything needed to rebuild the entire exhaust system.
69J-45127-00-00	 OEM: If you are replacing damaged exhaust components on a 3.1L V6 Fourstroke, two kits have been developed to make choosing and ordering the correct parts easier. Ordering either MAR-EXHKT-03-00 (EXH KIT F200-225 for 2002-2003 models) or MAR-EXHKT-04-00 (EXH KIT F200-250 2004 models and up) will get you everything needed to rebuild the entire exhaust system.
90430-08020-00	 OEM: This part number is among the Top 100 Most Popular Marine Maintenance Parts as of August 2013.
93106-09014-00	 OEM: This part number is among the Top 100 Most Popular Marine Maintenance Parts as of August 2013.
93210-86M38-00	 OEM: This part number is among the Top 100 Most Popular Marine Maintenance Parts as of August 2013.
93101-28M16-00	 OEM: This part number is among the Top 100 Most Popular Marine Maintenance Parts as of August 2013.
93101-30M17-00	 OEM: This part number is among the Top 100 Most Popular Marine Maintenance Parts as of August 2013.
61A-W0078-A3-00	 OEM: This part number is among the Top 100 Most Popular Marine Maintenance Parts as of August 2013.
93210-86M38-00	 OEM: This part number is among the Top 100 Most Popular Marine Maintenance Parts as of August 2013.
6E5-44352-01-00	 OEM: This part number is among the Top 100 Most Popular Marine Maintenance Parts as of August 2013.

©2013 Yamaha Motor Corporation, U.S.A. All rights reserved.

©2013 Yamaha Motor Corporation, U.S.A. All rights reserved.