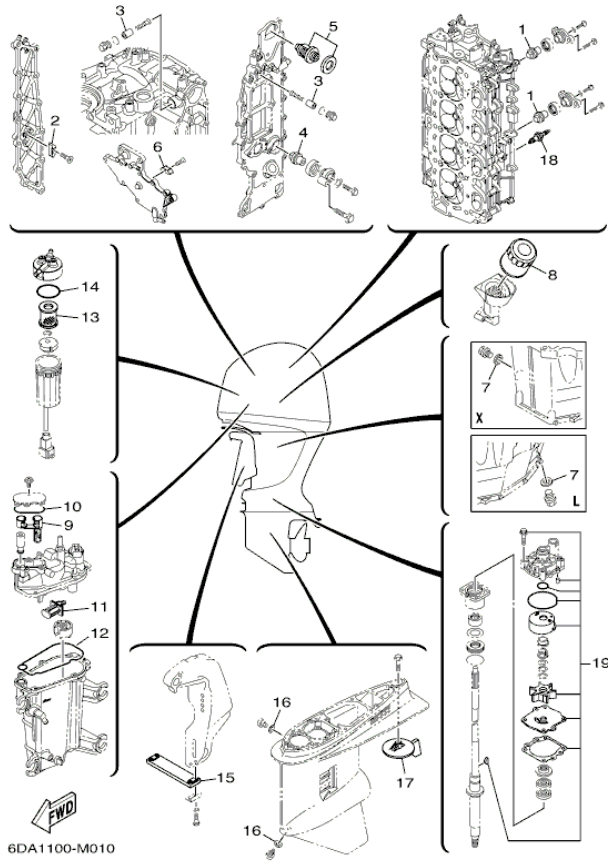


F200LB 1212 / SCHEDULED SERVICE PARTS



©2013 Yamaha Motor Corporation, U.S.A. All rights reserved.









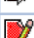

Part List

F200LB 1212 / SCHEDULED SERVICE PARTS

| REF - NO | PART NUMBER | PART NAME | QUANTITY | REMARKS |
|----------|-----------------|----------------------------|----------|---------|
| 1 | 67F-11325-01-00 | .ANODE | 2 | |
| 2 | 6E5-11325-00-00 | ANODE | 1 | |
| 3 | 68T-11325-00-00 | ANODE | 2 | |
| 4 | 67F-11325-01-00 | .ANODE | 1 | |
| 5 | 6DA-12411-00-00 | THERMOSTAT | 1 | |
| 6 | 6E5-11325-00-00 | ANODE | 1 | |
| 7 | 90430-14M09-00 | .GASKET | 1 | |
| 8 | 69J-13440-01-00 | ELEMENT ASSY, OIL CLEANER | 1 | |
| 9 | 6CB-24501-01-00 | .FILTER, FUEL | 1 | |
| 10 | 6CB-13016-00-00 | .O-RING | 1 | |
| 11 | 63P-13915-00-00 | FILTER | 1 | |
| 12 | 6CB-14984-00-00 | GASKET, FLOAT CHAMBER | 1 | |
| 13 | 6P3-24563-01-00 | ELEMENT, FILTER | 1 | |
| 14 | 6P3-24564-00-00 | GASKET | 1 | |
| 15 | 6AW-45251-00-00 | ANODE | 1 | |
| 16 | 90430-08020-00 | .GASKET | 2 | |
| 17 | 6J9-45371-01-00 | TAB-TRIM | 1 | |
| 18 | LFR-6A110-00-00 | PLUG, SPARK (NGK LFR6A-11) | 4 | |
| 19 | 61A-W0078-A3-00 | WATER PUMP REPAIR KIT | 1 | |

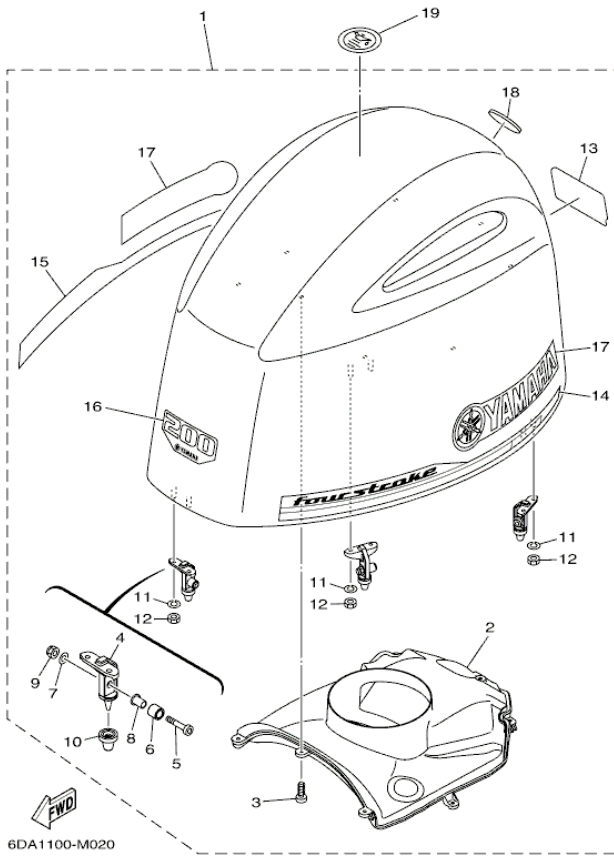
Part Notes

F200LB 1212 / SCHEDULED SERVICE PARTS

| PART NUMBER | | NOTE TEXT |
|-----------------|---|---|
| 67F-11325-01-00 |  | OEM: This part number is among the Top 100 Most Popular Marine Maintenance Parts as of August 2013. |
| 67F-11325-01-00 |  | OEM: This part number is among the Top 100 Most Popular Marine Maintenance Parts as of August 2013. |
| 90430-14M09-00 |  | OEM: This part number is among the Top 100 Most Popular Marine Maintenance Parts as of August 2013. |
| 69J-13440-01-00 |  | OEM: This part number is among the Top 100 Most Popular Marine Maintenance Parts as of August 2013. |
| 63P-13915-00-00 |  | OEM: This part number is among the Top 100 Most Popular Marine Maintenance Parts as of August 2013. |
| 6P3-24564-00-00 |  | OEM: This part number is among the Top 100 Most Popular Marine Maintenance Parts as of August 2013. |
| 90430-08020-00 |  | OEM: This part number is among the Top 100 Most Popular Marine Maintenance Parts as of August 2013. |
| 6J9-45371-01-00 |  | OEM: This part number is among the Top 100 Most Popular Marine Maintenance Parts as of August 2013. |
| LFR-6A110-00-00 |  | OEM: This part number is among the Top 100 Most Popular Marine Maintenance Parts as of August 2013. |
| 61A-W0078-A3-00 |  | OEM: This part number is among the Top 100 Most Popular Marine Maintenance Parts as of August 2013. |

©2013 Yamaha Motor Corporation, U.S.A. All rights reserved.

F200LB 1212 / TOP COWLING



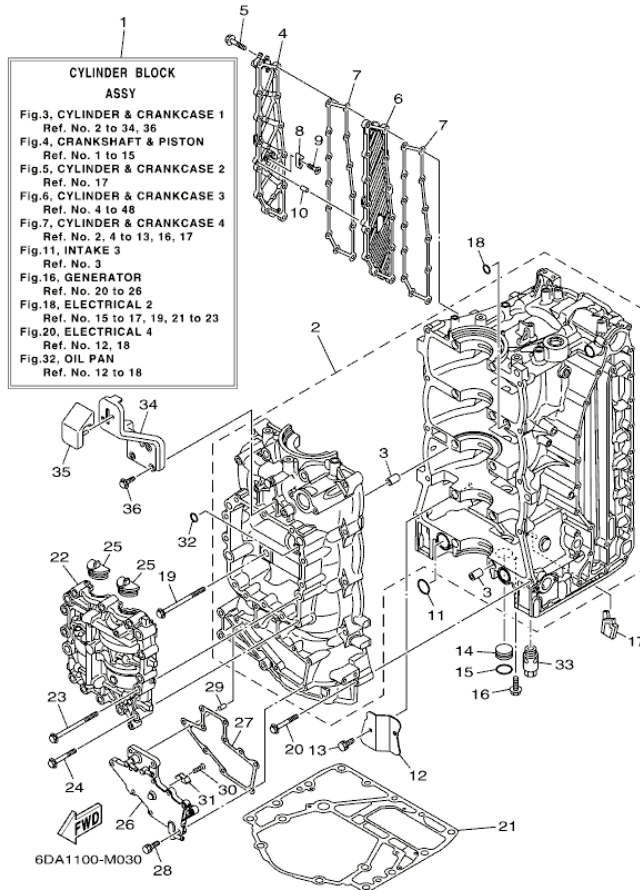
©2013 Yamaha Motor Corporation, U.S.A. All rights reserved.

Part List

F200LB 1212 / TOP COWLING

| REF - NO | PART NUMBER | PART NAME | QUANTITY | REMARKS |
|----------------|-----------------|-------------------------|----------|---------|
| 1 | 6DA-42610-00-00 | TOP COWLING ASSY | 1 | |
| 2 | 6DA-42613-00-00 | .MOLDING, AIR DUCT | 1 | |
| 3 | 90167-05017-00 | .SCREW, TAPPING | 8 | |
| 4 | 6CB-42647-00-00 | .HOLDER, CLAMP BAND | 3 | |
| 5 | 90111-08078-00 | .BOLT,HEX SOCKET BUTTON | 3 | |
| 6 | 90387-10094-00 | .COLLAR | 3 | |
| 7 | 92990-08600-00 | .WASHER, PLATE | 3 | |
| 8 | 90387-08M45-00 | .COLLAR | 3 | |
| 9 | 95780-08300-00 | .NUT, FLANGE | 3 | |
| 10 | 6AW-42663-00-00 | .DAMPER | 3 | |
| 11 | 92990-06100-00 | .WASHER, SPRING | 6 | |
| 12 | 95380-06600-00 | .NUT, HEXAGON | 6 | |
| 13 | 6DA-42678-00-00 | .GRAPHIC, REAR | 1 | |
| 14 | 6DA-42675-00-00 | .GRAPHIC, SIDE 1 | 1 | |
| 15 | 6DA-42676-00-00 | .GRAPHIC, SIDE 2 | 1 | |
| 16 | 6DA-42677-00-00 | .GRAPHIC, FRONT | 1 | |
| 17 | 63P-42681-20-00 | .MARK, COWLING | 2 | |
| 18 | 6DA-42697-00-00 | .TUNING FORK MARK | 1 | |
| 19 | 67F-13434-20-00 | LABEL, CAUTION | 1 | |

F200LB 1212 / CYLINDER CRANKCASE 1



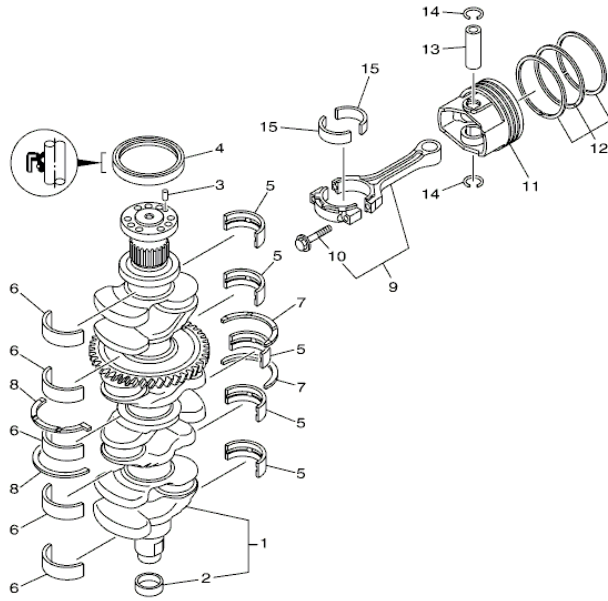
©2013 Yamaha Motor Corporation, U.S.A. All rights reserved.

Part List

F200LB 1212 / CYLINDER CRANKCASE 1

| REF - NO | PART NUMBER | PART NAME | QUANTITY | REMARKS |
|----------------|-----------------|-------------------------------|----------|---------|
| 1 | 6DA-W009B-00-9S | CYLINDER BLOCK ASSY | 1 | |
| 2 | 6DA-15109-00-9S | CRANKCASE ASSY | 1 | |
| 3 | 91814-18002-00 | .PIN, DOWEL | 10 | |
| 4 | 6DA-15414-00-9S | COVER, AIR CLEANER | 1 | |
| 5 | 90105-06028-00 | BOLT, FLANGE | 13 | |
| 6 | 6DA-15423-00-9S | COVER 2 | 1 | |
| 7 | 6DA-15353-00-00 | .GASKET, DRAIN | 2 | |
| 8 | 6E5-11325-00-00 | ANODE | 1 | |
| 9 | 98780-04016-00 | SCREW, FLAT HEAD | 1 | |
| 10 | 91690-40010-00 | PIN, SPRING | 1 | |
| 11 | 93210-25552-00 | O-RING | 2 | |
| 12 | 6DA-15412-00-00 | COVER, OIL PUMP | 1 | |
| 13 | 90119-06023-00 | BOLT, WITH WASHER | 2 | |
| 14 | 90338-25004-00 | PLUG | 1 | |
| 15 | 93210-25647-00 | .O-RING | 1 | |
| 16 | 90119-06M81-00 | BOLT, WITH WASHER | 1 | |
| 17 | 6DA-14664-00-00 | .GROMMET, WATER SHUT | 1 | |
| 18 | 93210-12648-00 | .O-RING | 1 | |
| 19 | 90105-10406-00 | BOLT, FLANGE | 10 | |
| 20 | 90119-08M66-00 | BOLT, WITH WASHER | 10 | |
| 21 | 63P-11351-01-00 | .GASKET, CYLINDER | 1 | |
| 22 | 6DA-11500-00-00 | BALANCER ASSY | 1 | |
| 23 | 90105-10406-00 | BOLT, FLANGE | 4 | |
| 24 | 90105-08175-00 | BOLT, FLANGE | 12 | |
| 25 | 63P-11512-00-00 | SEAL, CRANK COVER | 2 | |
| 26 | 6DA-15411-00-9S | COVER, CRANKCASE 1 | 1 | |
| 27 | 6DA-15451-00-00 | .GASKET, CRANKCASE COVER 1 | 1 | |
| 28 | 90119-06MA3-00 | BOLT, WITH WASHER | 10 | |
| 29 | 91690-40010-00 | PIN, SPRING | 1 | |
| 30 | 98780-04016-00 | SCREW, FLAT HEAD | 1 | |
| 31 | 6E5-11325-00-00 | ANODE | 1 | |
| 32 | 93210-08001-00 | .O-RING | 1 | |
| 33 | 63P-13490-00-00 | RELIEF VALVE ASSY | 1 | |
| 34 | 6DA-42744-00-00 | STAY | 1 | |
| 35 | 6DA-42662-00-00 | DAMPER | 1 | |
| 36 | 90105-06196-00 | BOLT, FLANGE | 3 | |

F200LB 1212 / CRANKSHAFT PISTON



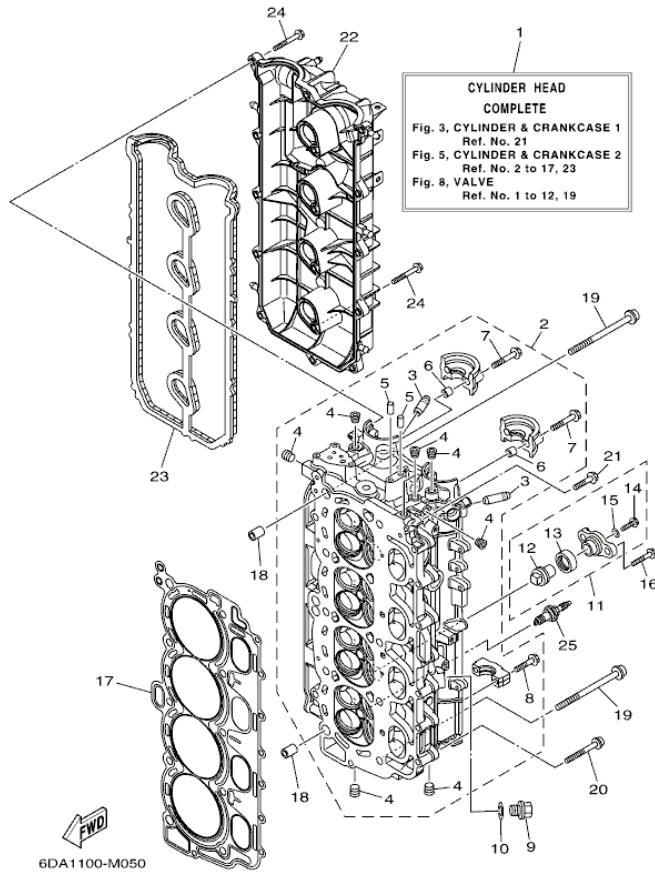
6DA1100-M040

Part List

F200LB 1212 / CRANKSHAFT PISTON

| REF - NO | PART NUMBER | PART NAME | QUANTITY | REMARKS |
|----------------|-----------------|----------------------------------|----------|-----------|
| 1 | 6DA-11410-00-00 | CRANKSHAFT | 1 | |
| 2 | 6CB-11478-00-00 | .COLLAR | 1 | |
| 3 | 93606-12019-00 | .PIN, DOWEL | 1 | |
| 4 | 93102-85008-00 | .OIL SEAL | 1 | |
| 5 | 6DA-11416-00-00 | PLANE BEARING, CRANKSHAFT 1 | 5 | UR YELLOW |
| 5 | 6DA-11416-20-00 | PLANE BEARING, CRANKSHAFT 1 | 5 | UR BLUE |
| 5 | 6DA-11416-10-00 | PLANE BEARING, CRANKSHAFT 1 | 5 | UR GREEN |
| 6 | 6DA-11417-00-00 | PLANE BEARING, CRANKSHAFT 2 | 5 | UR YELLOW |
| 6 | 6DA-11417-20-00 | PLANE BEARING, CRANKSHAFT 2 | 5 | UR BLUE |
| 6 | 6DA-11417-10-00 | PLANE BEARING, CRANKSHAFT 2 | 5 | UR GREEN |
| 7 | 6DA-11426-00-00 | BEARING, THRUST 1 | 2 | |
| 8 | 6DA-11427-00-00 | BEARING, THRUST 2 | 2 | |
| 9 | 6CB-W1165-00-00 | CONNECTING ROD ASSY | 4 | |
| 10 | 6CB-11654-00-00 | .BOLT, CONNECTING ROD | 2 | |
| 11 | 6DA-11631-00-94 | PISTON (STD) | 4 | |
| 12 | 6CB-11603-00-00 | PISTON RING SET (STD) | 4 | |
| 13 | 6CB-11633-00-00 | PIN, PISTON | 4 | |
| 14 | K0F-A3233-00-00 | RING,HOLE SNAP | 8 | |
| 15 | 6CB-11656-00-00 | PLANE BEARING, CONNECTING ROD | 8 | UR YELLOW |
| 15 | 6CB-11656-20-00 | PLANE BEARING, CONNECTING ROD | 8 | UR BLUE |
| 15 | 6CB-11656-10-00 | PLANE BEARING, CONNECTING ROD | 8 | UR GREEN |

F200LB 1212 / CYLINDER CRANKCASE 2



©2013 Yamaha Motor Corporation, U.S.A. All rights reserved.




Part List

F200LB 1212 / CYLINDER CRANKCASE 2

| REF - NO | PART NUMBER | PART NAME | QUANTITY | REMARKS |
|----------------|-----------------|----------------------------|----------|---------|
| 1 | 6DA-W009A-00-9S | CYLINDER HEAD COMPLETE | 1 | |
| 2 | 6DA-11110-00-9S | CYLINDER HEAD ASSY | 1 | |
| 3 | 6DA-11133-10-00 | .GUIDE, VALVE 1 | 16 | |
| 4 | 90344-51019-00 | .PLUG, TAPER SCREW | 8 | |
| 5 | 93606-12019-00 | .PIN, DOWEL | 2 | |
| 6 | 91809-08006-00 | .PIN, DOWEL | 4 | |
| 7 | 90119-07001-00 | .BOLT, WITH WASHER | 4 | |
| 8 | 90119-07234-00 | .BOLT, WITH WASHER | 16 | |
| 9 | 90340-14M06-00 | PLUG, STRAIGHT SCREW | 1 | |
| 10 | 90430-14115-00 | .GASKET | 1 | |
| 11 | 67F-11301-00-00 | ANODE COVER ASSY | 2 | |
| 12 | 67F-11325-01-00 | .ANODE | 1 | |
| 13 | 67F-11328-00-00 | .GROMMET, ANODE | 1 | |
| 14 | 90105-06M07-00 | .BOLT, FLANGE | 1 | |
| 15 | 90430-06M03-00 | .GASKET | 1 | |
| 16 | 95885-08025-00 | BOLT, FLANGE | 4 | |
| 17 | 6DA-11181-00-00 | .GASKET, CYLINDER HEAD 1 | 1 | |
| 18 | 90387-11005-00 | COLLAR | 2 | |
| 19 | 90155-11002-00 | SCREW, FLAT FILLISTER | 10 | |
| 20 | 90105-08175-00 | BOLT, FLANGE | 8 | |
| 21 | 90105-06151-00 | BOLT, FLANGE | 1 | |
| 22 | 6DA-11191-00-00 | COVER, CYLINDER HEAD 1 | 1 | |
| 23 | 6DA-11193-00-00 | .GASKET, HEAD COVER 1 | 1 | |
| 24 | 95895-06030-00 | BOLT, FLANGE | 16 | |
| 25 | LFR-6A110-00-00 | PLUG, SPARK (NGK LFR6A-11) | 4 | |

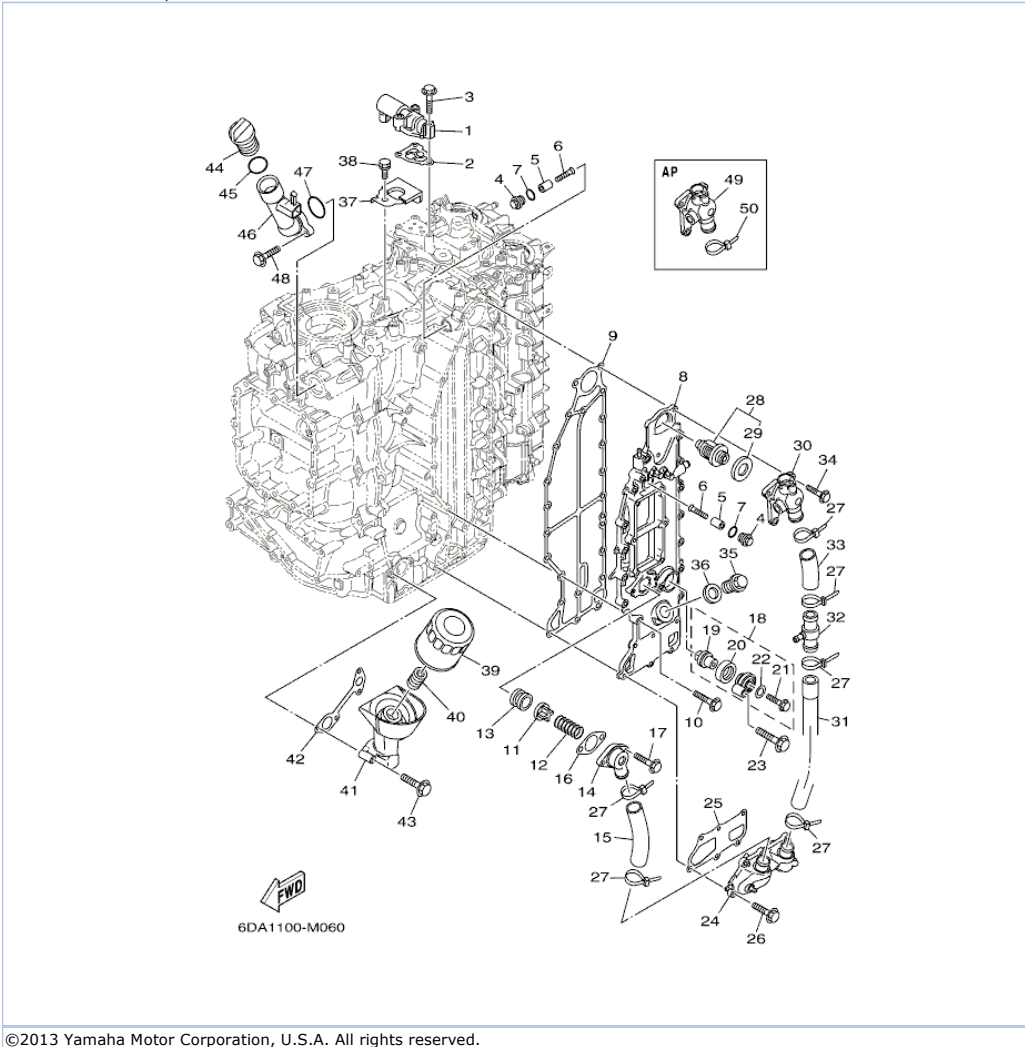
Part Notes

F200LB 1212 / CYLINDER CRANKCASE 2

| PART NUMBER | NOTE TEXT |
|---|---|
| 67F-11325-01-00  | OEM: This part number is among the Top 100 Most Popular Marine Maintenance Parts as of August 2013. |
| 67F-11328-00-00  | OEM: This part number is among the Top 100 Most Popular Marine Maintenance Parts as of August 2013. |
| LFR-6A110-00-00  | OEM: This part number is among the Top 100 Most Popular Marine Maintenance Parts as of August 2013. |

©2013 Yamaha Motor Corporation, U.S.A. All rights reserved.

F200LB 1212 / CYLINDER CRANKCASE 3







Part List

F200LB 1212 / CYLINDER CRANKCASE 3

| REF - NO | PART NUMBER | PART NAME | QUANTITY | REMARKS |
|----------------|-----------------|---------------------------------|----------|---------|
| 1 | 6CB-86120-00-00 | SOLENOID VALVE ASSY | 1 | |
| 2 | 6CB-1242F-00-00 | .GASKET, FILTER | 1 | |
| 3 | 90105-06035-00 | BOLT, FLANGE | 3 | |
| 4 | 6G8-11197-01-00 | PLUG, BLIND | 2 | |
| 5 | 68T-11325-00-00 | ANODE | 2 | |
| 6 | 90151-05M05-00 | SCREW, COUNTERSUNK | 2 | |
| 7 | 93210-13M63-00 | .O-RING | 2 | |
| 8 | 6DA-41113-00-9S | OUTER COVER, EXHAUST | 1 | |
| 9 | 6DA-41114-00-00 | .GASKET, EXHAUST OUTER COVER | 1 | |
| 10 | 90105-06028-00 | BOLT, FLANGE | 14 | |
| 11 | 60H-12416-00-00 | VALVE, PRESSURE CONTROL | 1 | |
| 12 | 90501-16M11-00 | SPRING, COMPRESSION | 1 | |
| 13 | 90480-20M05-00 | GROMMET | 1 | |
| 14 | 6G5-11372-00-00 | COVER, BYPASS 2 | 1 | |
| 15 | 6DA-1243A-00-00 | HOSE 1 | 1 | |
| 16 | 60V-11382-A0-00 | .GASKET 2 | 1 | |
| 17 | 90119-06MA3-00 | BOLT, WITH WASHER | 2 | |
| 18 | 69J-11301-00-00 | ANODE COVER ASSY | 1 | |
| 19 | 67F-11325-01-00 | .ANODE | 1 | |
| 20 | 67F-11328-00-00 | .GROMMET, ANODE | 1 | |
| 21 | 90105-06M07-00 | .BOLT, FLANGE | 1 | |
| 22 | 90430-06M03-00 | .GASKET | 1 | |
| 23 | 97575-08540-00 | BOLT, WITH WASHER | 1 | |
| 24 | 6DA-12527-00-9S | COVER, WATER BY-PASS | 1 | |
| 25 | 6DA-11381-00-00 | .GASKET 1 | 1 | |
| 26 | 90105-06028-00 | BOLT, FLANGE | 6 | |
| 27 | 90465-11M59-00 | CLAMP | 6 | |
| 28 | 6DA-12411-00-00 | THERMOSTAT | 1 | |
| 29 | 6AW-12412-00-00 | .SEAL, THERMOSTAT | 1 | |
| 30 | 6DA-12413-00-9S | COVER, THERMOSTAT | 1 | |
| 31 | 6DA-1243E-00-00 | HOSE 2 | 1 | |
| 32 | 6CE-24378-00-00 | PIPE, JOINT 3 | 1 | |
| 33 | 6DA-1244H-00-00 | HOSE 5 | 1 | |
| 34 | 90105-06028-00 | BOLT, FLANGE | 3 | |
| 35 | 90340-18M09-00 | PLUG, STRAIGHT SCREW | 1 | |
| 36 | 90430-18130-00 | .GASKET | 1 | |
| 37 | 6P2-12491-00-00 | CLAMP 1 | 1 | |
| 38 | 90119-06078-00 | BOLT, WITH WASHER | 1 | |
| 39 | 69J-13440-01-00 | ELEMENT ASSY, OIL CLEANER | 1 | |
| 40 | 655-12858-00-00 | BOLT, UNION | 1 | |
| 41 | 6DA-13446-00-00 | CONNECTOR | 1 | |
| 42 | 6DA-13475-00-00 | .GASKET | 1 | |
| 43 | 90105-06151-00 | BOLT, FLANGE | 4 | |
| 44 | 6G8-15363-00-00 | PLUG, OIL | 1 | |
| 45 | 93210-24M79-00 | .O-RING | 1 | |
| 46 | 6DA-15319-00-00 | JOINT | 1 | |
| 47 | 93210-357A3-00 | O-RING | 1 | |
| 48 | 90105-06037-00 | BOLT, FLANGE | 2 | |
| 49 | 6DA-1241B-00-9S | COVER, THERMOSTAT 2 | 1 | AP |
| 50 | 90465-11M59-00 | CLAMP | 1 | AP |

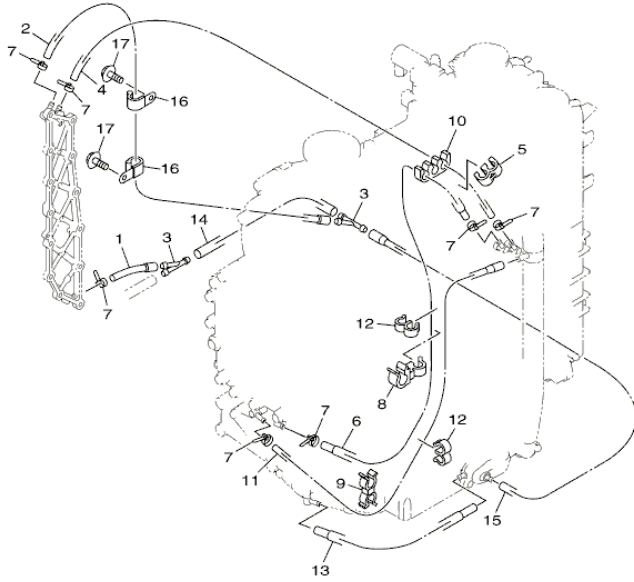
Part Notes

F200LB 1212 / CYLINDER CRANKCASE 3

| PART NUMBER | NOTE TEXT |
|---|---|
| 90480-20M05-00  | OEM: This part number is among the Top 100 Most Popular Marine Maintenance Parts as of August 2013. |
| 67F-11325-01-00  | OEM: This part number is among the Top 100 Most Popular Marine Maintenance Parts as of August 2013. |
| 67F-11328-00-00  | OEM: This part number is among the Top 100 Most Popular Marine Maintenance Parts as of August 2013. |
| 69J-13440-01-00  | OEM: This part number is among the Top 100 Most Popular Marine Maintenance Parts as of August 2013. |

©2013 Yamaha Motor Corporation, U.S.A. All rights reserved.

F200LB 1212 / CYLINDER CRANKCASE 4



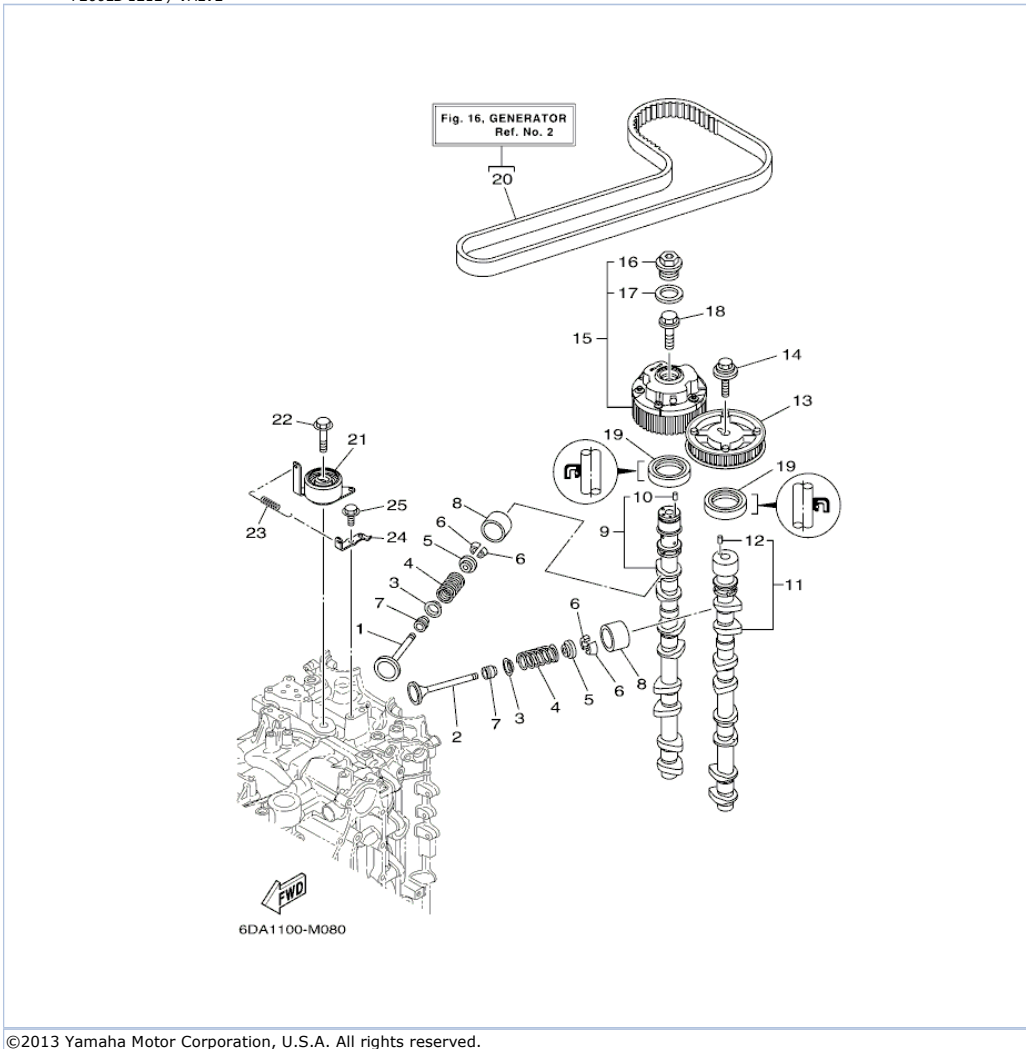
6DA1100-M070

Part List

F200LB 1212 / CYLINDER CRANKCASE 4

| REF - NO | PART NUMBER | PART NAME | QUANTITY | REMARKS |
|----------------|-----------------|---------------|----------|---------|
| 1 | 6DA-12576-00-00 | HOSE 1 | 1 | |
| 2 | 6DA-12589-00-00 | HOSE 6 | 1 | |
| 3 | 6CE-24377-00-00 | PIPE, JOINT 2 | 2 | |
| 4 | 90445-09008-00 | HOSE (L470) | 1 | |
| 5 | 90464-09M21-00 | CLAMP | 1 | |
| 6 | 6DA-12578-00-00 | HOSE 3 | 1 | |
| 7 | 90465-11M10-00 | CLAMP | 7 | |
| 8 | 90464-12010-00 | CLAMP | 1 | |
| 9 | 90464-09142-00 | CLAMP | 1 | |
| 10 | 90464-09020-00 | CLAMP | 1 | |
| 11 | 6DA-12579-00-00 | HOSE 4 | 1 | |
| 12 | 90464-09M31-00 | CLAMP | 2 | |
| 13 | 6DA-12552-00-00 | HOSE 8 | 1 | |
| 14 | 90445-10057-00 | HOSE (L170) | 1 | |
| 15 | 6DA-12589-00-00 | HOSE 6 | 1 | |
| 16 | 90465-08M83-00 | CLAMP | 2 | |
| 17 | 95895-06012-00 | BOLT, FLANGE | 2 | |

F200LB 1212 / VALVE

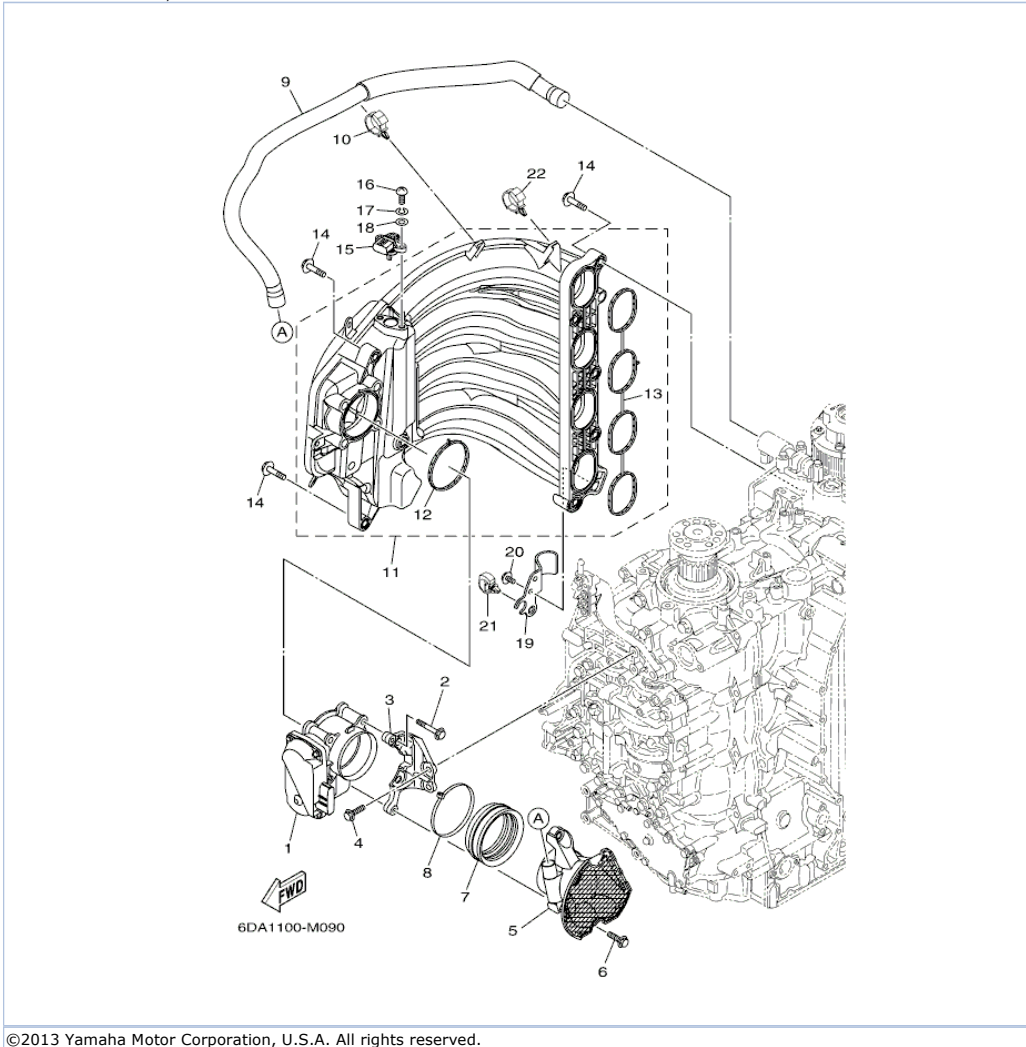


Part List

F200LB 1212 / VALVE

| REF - NO | PART NUMBER | PART NAME | QUANTITY | REMARKS |
|----------------|-----------------|--------------------------------|----------|---------|
| 1 | 6CB-12111-00-00 | VALVE, INTAKE | 8 | |
| 2 | 6DA-12121-00-00 | VALVE, EXHAUST | 8 | |
| 3 | K0F-A3743-00-00 | SEAT, VALVE SPRING | 16 | |
| 4 | 6CB-12113-00-00 | SPRING, VALVE INNER | 16 | |
| 5 | K0F-A3741-00-00 | RETAINER, VALVE SPRING | 16 | |
| 6 | K0F-A3742-00-00 | LOCK, VALVE SPRING RETAINER | 32 | |
| 7 | 51Y-12119-00-00 | SEAL, VALVE STEM | 16 | |
| 8 | K0F-A3751-00-00 | LIFTER, VALVE (3.000) | 16 | UR |
| 8 | K0F-A3753-70-00 | LIFTER, VALVE (3.725) | 16 | UR |
| 8 | K0F-A3751-20-00 | LIFTER, VALVE (3.050) | 16 | UR |
| 8 | K0F-A3751-30-00 | LIFTER, VALVE (3.075) | 16 | UR |
| 8 | K0F-A3751-40-00 | LIFTER, VALVE (3.100) | 16 | UR |
| 8 | K0F-A3751-50-00 | LIFTER, VALVE (3.122) | 16 | UR |
| 8 | K0F-A3751-60-00 | LIFTER, VALVE (3.142) | 16 | UR |
| 8 | K0F-A3751-70-00 | LIFTER, VALVE (3.162) | 16 | UR |
| 8 | K0F-A3751-80-00 | LIFTER, VALVE (3.182) | 16 | UR |
| 8 | K0F-A3751-90-00 | LIFTER, VALVE (3.202) | 16 | UR |
| 8 | K0F-A3751-A0-00 | LIFTER, VALVE (3.222) | 16 | UR |
| 8 | K0F-A3751-B0-00 | LIFTER, VALVE (3.242) | 16 | UR |
| 8 | K0F-A3751-C0-00 | LIFTER, VALVE (3.262) | 16 | UR |
| 8 | K0F-A3751-D0-00 | LIFTER, VALVE (3.282) | 16 | UR |
| 8 | K0F-A3751-E0-00 | LIFTER, VALVE (3.302) | 16 | UR |
| 8 | K0F-A3751-F0-00 | LIFTER, VALVE (3.322) | 16 | UR |
| 8 | K0F-A3751-G0-00 | LIFTER, VALVE (3.342) | 16 | UR |
| 8 | K0F-A3751-H0-00 | LIFTER, VALVE (3.362) | 16 | UR |
| 8 | K0F-A3751-J0-00 | LIFTER, VALVE ((3.382) | 16 | UR |
| 8 | K0F-A3751-K0-00 | LIFTER, VALVE (3.402) | 16 | UR |
| 8 | K0F-A3751-L0-00 | LIFTER, VALVE (3.422) | 16 | UR |
| 8 | K0F-A3751-M0-00 | LIFTER, VALVE (3.442) | 16 | UR |
| 8 | K0F-A3751-N0-00 | LIFTER, VALVE (3.462) | 16 | UR |
| 8 | K0F-A3751-P0-00 | LIFTER, VALVE (3.482) | 16 | UR |
| 8 | K0F-A3751-R0-00 | LIFTER, VALVE (3.502) | 16 | UR |
| 8 | K0F-A3751-S0-00 | LIFTER, VALVE (3.522) | 16 | UR |
| 8 | K0F-A3751-T0-00 | LIFTER, VALVE (3.542) | 16 | UR |
| 8 | K0F-A3753-00-00 | LIFTER, VALVE (3.562) | 16 | UR |
| 8 | K0F-A3753-10-00 | LIFTER, VALVE (3.582) | 16 | UR |
| 8 | K0F-A3753-20-00 | LIFTER, VALVE (3.602) | 16 | UR |
| 8 | K0F-A3753-30-00 | LIFTER, VALVE (3.625) | 16 | UR |
| 8 | K0F-A3753-40-00 | LIFTER, VALVE (3.650) | 16 | UR |
| 8 | K0F-A3753-50-00 | LIFTER, VALVE (3.675) | 16 | UR |
| 8 | K0F-A3753-60-00 | LIFTER, VALVE (3.700) | 16 | UR |
| 8 | K0F-A3751-10-00 | LIFTER, VALVE (3.025) | 16 | UR |
| 9 | 6DA-12171-00-00 | CAMSHAFT 1 | 1 | |
| 10 | 93605-10108-00 | .PIN, DOWEL | 1 | |
| 11 | 6DA-12181-00-00 | CAMSHAFT 2 | 1 | |
| 12 | 93605-10108-00 | .PIN, DOWEL | 1 | |
| 13 | 6DA-115A0-00-00 | DRIVEN GEAR ASSY | 1 | |
| 14 | 90119-10050-00 | BOLT, WITH WASHER | 1 | |
| 15 | 6P2-12645-20-00 | PULLEY ASSY 1 | 1 | |
| 16 | 6P2-12623-00-00 | .BOLT | 1 | |
| 17 | 6P2-12663-00-00 | .GASKET | 1 | |
| 18 | 6P2-12615-00-00 | BOLT | 1 | |
| 19 | 93102-38008-00 | .OIL SEAL | 2 | |
| 20 | 6DA-W4624-00-00 | BELT (WITH ROTOR BOLTS) | 1 | |
| 21 | 6DA-11590-00-00 | TENSIONER ASSY | 1 | |
| 22 | 90119-10M07-00 | BOLT, WITH WASHER | 1 | |
| 23 | 90506-18025-00 | SPRING, TENSION | 1 | |
| 24 | 6DA-11595-00-00 | PLATE, VALVE | 1 | |
| 25 | 97575-06516-00 | BOLT, WITH WASHER | 1 | |

F200LB 1212 / INTAKE 1



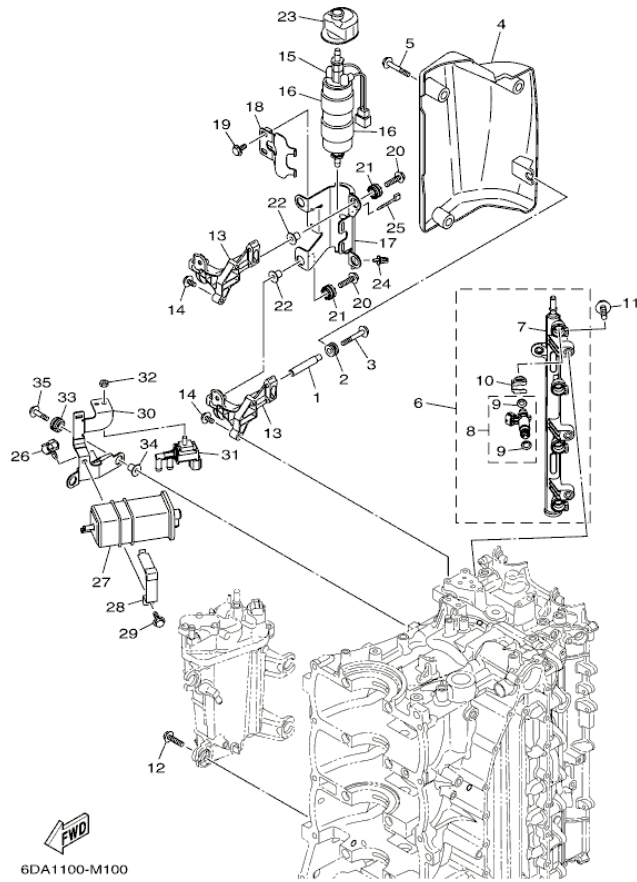
©2013 Yamaha Motor Corporation, U.S.A. All rights reserved.

Part List

F200LB 1212 / INTAKE 1

| REF - NO | PART NUMBER | PART NAME | QUANTITY | REMARKS |
|----------------|-----------------|-----------------------|----------|---------|
| 1 | 6DA-13751-00-00 | BODY, THROTTLE 1 | 1 | |
| 2 | 97575-08560-00 | BOLT, WITH WASHER | 4 | |
| 3 | 6DA-13152-00-00 | STAY 2 | 1 | |
| 4 | 95875-06025-00 | BOLT, FLANGE | 2 | |
| 5 | 6DA-14440-00-00 | SILENCER ASSY, INTAKE | 1 | |
| 6 | 95875-06025-00 | BOLT, FLANGE | 2 | |
| 7 | 6P2-1441J-00-00 | PIPE, SILENCER | 1 | |
| 8 | 90464-99004-00 | CLAMP | 1 | |
| 9 | 6DA-15373-00-00 | PIPE, BREATHER | 1 | |
| 10 | 90464-12183-00 | CLAMP | 1 | |
| 11 | 6DA-13641-00-00 | MANIFOLD, INTAKE 1 | 1 | |
| 12 | 6DA-13646-00-00 | .GASKET, MANIFOLD 2 | 1 | |
| 13 | 6DA-13645-00-00 | .GASKET, MANIFOLD 1 | 1 | |
| 14 | 90119-08020-00 | BOLT, WITH WASHER | 9 | |
| 15 | 68F-83688-10-00 | SENSOR ASSY | 1 | |
| 16 | 97885-05016-00 | SCREW, PAN HEAD | 2 | |
| 17 | 92995-05100-00 | WASHER | 2 | |
| 18 | 92995-05600-00 | WASHER | 2 | |
| 19 | 6DA-13881-00-00 | COVER 1 | 1 | |
| 20 | 95895-06012-00 | BOLT, FLANGE | 2 | |
| 21 | 90464-20181-00 | CLAMP | 1 | |
| 22 | 90464-12183-00 | CLAMP | 1 | |

F200LB 1212 / INTAKE 2



©2013 Yamaha Motor Corporation, U.S.A. All rights reserved.


Part List

F200LB 1212 / INTAKE 2

| REF - NO | PART NUMBER | PART NAME | QUANTITY | REMARKS |
|----------|-----------------|----------------------|----------|---------|
| 1 | 90387-06283-00 | COLLAR | 1 | |
| 2 | 90480-12314-00 | GROMMET | 1 | |
| 3 | 90105-06054-00 | BOLT, FLANGE | 1 | |
| 4 | 6DA-13564-00-00 | COVER, MANIFOLD | 1 | |
| 5 | 95875-06020-00 | BOLT, FLANGE | 3 | |
| 6 | 6DA-13160-00-00 | DELIVERY PIPE ASSY 1 | 1 | |
| 7 | 6DA-13161-00-00 | .PIPE, DELIVERY 1 | 1 | |
| 8 | 6DA-13761-00-00 | .INJECTOR | 4 | |
| 9 | 6AW-1410B-00-00 | .PACKING KIT | 1 | |
| 10 | 6AW-13577-10-00 | .CLIP | 4 | |
| 11 | 90105-06M08-00 | BOLT, FLANGE | 3 | |
| 12 | 90119-06M24-00 | BOLT, WITH WASHER | 4 | |
| 13 | 6DA-24425-00-00 | BRACKET, FUEL PUMP 1 | 2 | |
| 14 | 90105-06M08-00 | BOLT, FLANGE | 4 | |
| 15 | 6CB-24410-00-00 | FUEL PUMP ASSY | 1 | |
| 16 | 6DA-24492-00-00 | BUSH, FUEL PUMP | 2 | |
| 17 | 6DA-24491-00-00 | BRACKET, FUEL PUMP | 1 | |
| 18 | 6DA-24426-00-00 | BRACKET, FUEL PUMP 2 | 1 | |
| 19 | 95895-06012-00 | BOLT, FLANGE | 2 | |
| 20 | 90119-06M17-00 | BOLT, WITH WASHER | 4 | |
| 21 | 60V-85516-00-00 | SPACER | 4 | |
| 22 | 90387-06M60-00 | COLLAR | 4 | |
| 23 | 6DA-24462-00-00 | CAP, BLIND | 1 | |
| 24 | 90464-06001-00 | CLAMP | 1 | |
| 25 | 90465-11M10-00 | CLAMP | 1 | |
| 26 | 90464-09130-00 | CLAMP | 1 | |
| 27 | 6P2-24170-00-00 | CANISTER ASSY | 1 | |
| 28 | 63P-2419A-01-00 | HOLDER | 1 | |
| 29 | 95895-06016-00 | BOLT, FLANGE | 1 | |
| 30 | 6DA-2134X-00-00 | BRACKET, CANISTER | 1 | |
| 31 | 6C5-86120-00-00 | SOLENOID VALVE ASSY | 1 | |
| 32 | 95380-06600-00 | NUT, HEXAGON | 1 | |
| 33 | 90480-14031-00 | GROMMET | 2 | |
| 34 | 90387-06M60-00 | COLLAR | 2 | |
| 35 | 90119-06M17-00 | BOLT, WITH WASHER | 2 | |

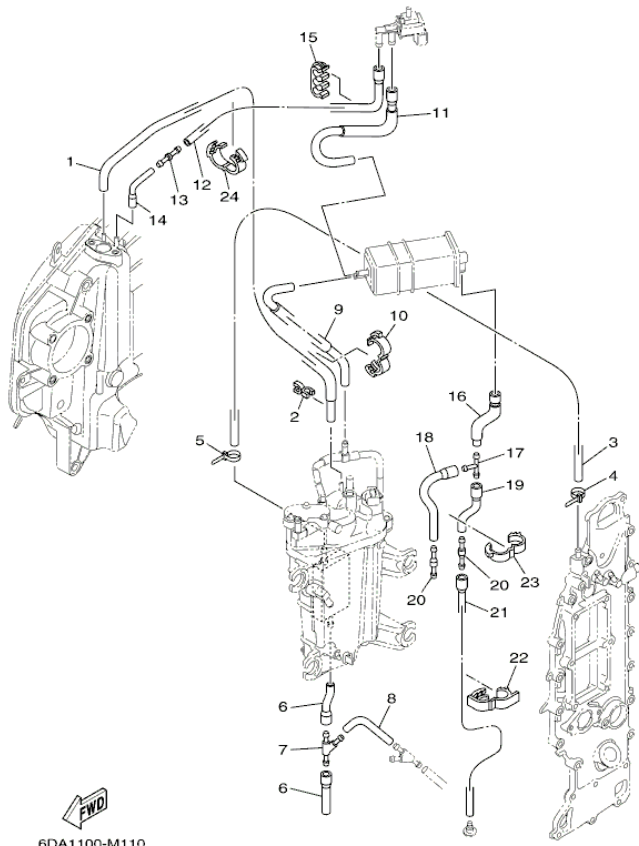
Part Notes

F200LB 1212 / INTAKE 2

| PART NUMBER | NOTE TEXT |
|--|---|
| 90480-12314-00  | OEM: GROMMET used on F115TLR and F/LF115TXR 0510 Production and Later |

©2013 Yamaha Motor Corporation, U.S.A. All rights reserved.

F200LB 1212 / INTAKE 3



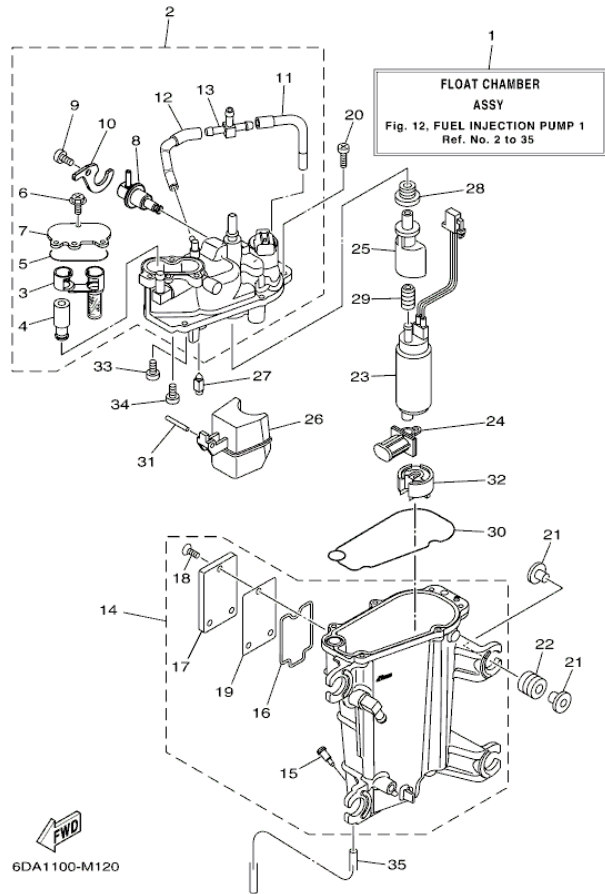
©2013 Yamaha Motor Corporation, U.S.A. All rights reserved.

Part List

F200LB 1212 / INTAKE 3

| REF - NO | PART NUMBER | PART NAME | QUANTITY | REMARKS |
|----------------|-----------------|------------------------|----------|---------|
| 1 | 6DA-13532-00-00 | HOSE, VACUUM SENSING 3 | 1 | |
| 2 | 90464-07M41-00 | CLAMP | 1 | |
| 3 | 90445-09120-00 | HOSE (L600) | 1 | |
| 4 | 90465-11M10-00 | CLAMP | 1 | |
| 5 | 90465-11M10-00 | CLAMP | 1 | |
| 6 | 6DA-12576-00-00 | HOSE 1 | 2 | |
| 7 | 6CE-24377-00-00 | PIPE, JOINT 2 | 1 | |
| 8 | 90445-10056-00 | HOSE (L85) | 1 | |
| 9 | 6DA-1475A-00-00 | PIPE 1 | 1 | |
| 10 | 90464-16001-00 | CLAMP | 1 | |
| 11 | 6DA-1475F-00-00 | PIPE 3 | 1 | |
| 12 | 6DA-2416A-00-00 | HOSE | 1 | |
| 13 | 6CB-14989-00-00 | ORIFICE, AIR VENT | 1 | |
| 14 | 6DA-1475G-00-00 | PIPE 4 | 1 | |
| 15 | 90464-10011-00 | CLAMP | 1 | |
| 16 | 6DA-13545-00-00 | HOSE 1 | 1 | |
| 17 | 688-24378-00-00 | PIPE, JOINT 3 | 1 | |
| 18 | 68V-13546-10-00 | HOSE 2 | 1 | |
| 19 | 6DA-13548-00-00 | HOSE, AIR 4 | 1 | |
| 20 | 6E5-21744-00-00 | BREATHER | 2 | |
| 21 | 6DA-13547-00-00 | HOSE 3 | 1 | |
| 22 | 90464-18004-00 | CLAMP | 1 | |
| 23 | 90464-16001-00 | CLAMP | 1 | |
| 24 | 90464-16001-00 | CLAMP | 1 | |

F200LB 1212 / FUEL INJECTION PUMP 1



©2013 Yamaha Motor Corporation, U.S.A. All rights reserved.


Part List

F200LB 1212 / FUEL INJECTION PUMP 1

| REF - NO | PART NUMBER | PART NAME | QUANTITY | REMARKS |
|----------------|-----------------|-----------------------|----------|---------|
| 1 | 6DA-14180-00-00 | FLOAT CHAMBER ASSY | 1 | |
| 2 | 6DA-14182-00-00 | COVER, FLOAT CHAMBER | 1 | |
| 3 | 6CB-24501-01-00 | .FILTER, FUEL | 1 | |
| 4 | 6CB-24460-00-00 | .RELIEF VALVE ASSY | 1 | |
| 5 | 6CB-13016-00-00 | .O-RING | 1 | |
| 6 | 6CB-14216-00-00 | .SCREW | 3 | |
| 7 | 6CB-24217-00-00 | .COVER | 1 | |
| 8 | 6CB-13906-01-00 | .REGULATOR, PRESSURE | 1 | |
| 9 | 6CB-14564-00-00 | .SCREW | 1 | |
| 10 | 6DA-14146-00-00 | .PLATE | 1 | |
| 11 | 6DA-13892-00-00 | .HOSE, AIR 2 | 1 | |
| 12 | 6DA-13893-00-00 | .HOSE, AIR 3 | 1 | |
| 13 | 69J-24379-00-00 | .PIPE, JOINT 4 | 1 | |
| 14 | 6DA-14181-00-00 | BODY, FLOAT CHAMBER 1 | 1 | |
| 15 | 6P2-14191-00-00 | .PLUG, DRAIN | 1 | |
| 16 | 6CB-14239-00-00 | .SEAL | 1 | |
| 17 | 6CB-24452-10-00 | .COVER | 1 | |
| 18 | 6CB-14429-01-00 | .SCREW | 3 | |
| 19 | 6CB-24482-00-00 | .GASKET 1 | 1 | |
| 20 | 63P-14567-00-00 | SCREW | 6 | |
| 21 | 69J-13716-00-00 | .COLLAR | 8 | |
| 22 | 6CB-13593-00-00 | .DAMPER | 4 | |
| 23 | 6P2-13907-20-00 | FUEL PUMP COMP. | 1 | |
| 24 | 63P-13915-00-00 | FILTER | 1 | |
| 25 | 6AW-13132-00-00 | JOINT | 1 | |
| 26 | 6CB-14985-00-00 | FLOAT | 1 | |
| 27 | 6CB-14546-00-00 | VALVE, NEEDLE | 1 | |
| 28 | 6CB-1447B-00-00 | BUSH 1 | 1 | |
| 29 | 6AW-13781-00-00 | DAMPER, PUMP | 1 | |
| 30 | 6CB-14984-00-00 | GASKET, FLOAT CHAMBER | 1 | |
| 31 | 6P2-14386-00-00 | PIN, FLOAT | 1 | |
| 32 | 6AW-13784-00-00 | COVER, PUMP | 1 | |
| 33 | 4SV-24453-00-00 | SCREW | 1 | |
| 34 | 98507-04008-00 | .SCREW, PAN HEAD | 1 | |
| 35 | 6P2-14149-00-00 | PIPE | 1 | |

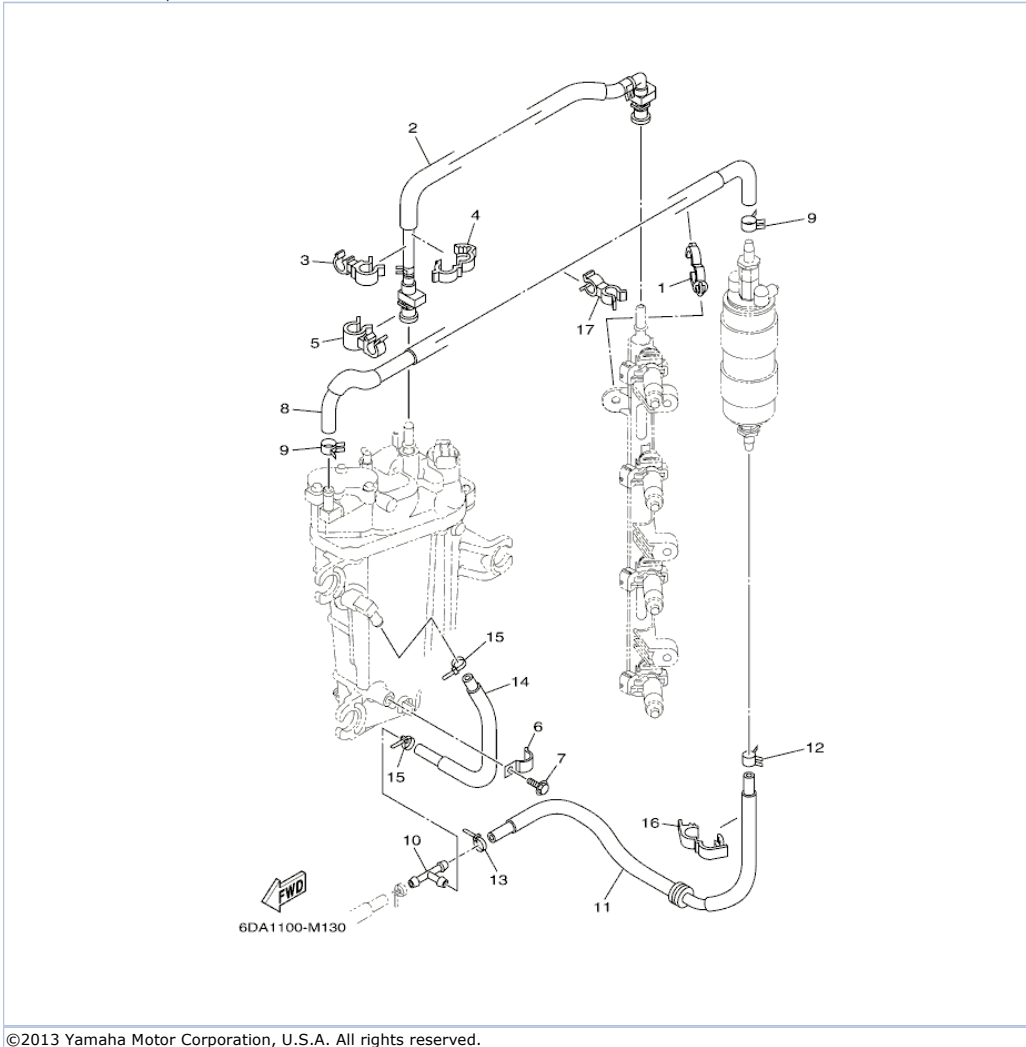
Part Notes

F200LB 1212 / FUEL INJECTION PUMP 1

| PART NUMBER | NOTE TEXT |
|---|---|
| 63P-13915-00-00  | OEM: This part number is among the Top 100 Most Popular Marine Maintenance Parts as of August 2013. |

©2013 Yamaha Motor Corporation, U.S.A. All rights reserved.

F200LB 1212 / FUEL INJECTION PUMP 2

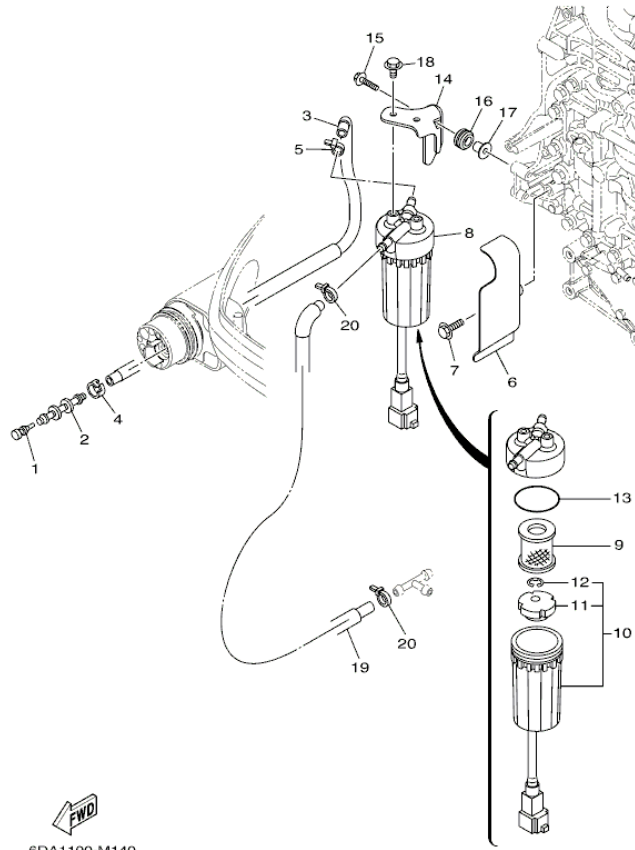


Part List

F200LB 1212 / FUEL INJECTION PUMP 2

| REF - NO | PART NUMBER | PART NAME | QUANTITY | REMARKS |
|----------------|-----------------|----------------|----------|---------|
| 1 | 90464-20181-00 | CLAMP | 1 | |
| 2 | 6DA-24310-00-00 | FUEL PIPE ASSY | 1 | |
| 3 | 90464-12010-00 | CLAMP | 1 | |
| 4 | 90464-16003-00 | CLAMP | 1 | |
| 5 | 90464-15007-00 | CLAMP | 1 | |
| 6 | 90465-08M63-00 | CLAMP | 1 | |
| 7 | 95895-06010-00 | BOLT, FLANGE | 1 | |
| 8 | 6DA-24324-00-00 | PIPE 13 | 1 | |
| 9 | 90467-120A7-00 | CLIP | 2 | |
| 10 | 6E5-24378-00-00 | PIPE, JOINT 3 | 1 | |
| 11 | 6DA-24317-00-00 | PIPE 7 | 1 | |
| 12 | 90467-120A7-00 | CLIP | 1 | |
| 13 | 90465-11M10-00 | CLAMP | 1 | |
| 14 | 6DA-24323-00-00 | PIPE 12 | 1 | |
| 15 | 90465-11M10-00 | CLAMP | 2 | |
| 16 | 90464-18004-00 | CLAMP | 1 | |
| 17 | 90464-13260-00 | CLAMP | 1 | |

F200LB 1212 / FUEL 1



6DA1100-M140

©2013 Yamaha Motor Corporation, U.S.A. All rights reserved.


Part List

F200LB 1212 / FUEL 1

| REF - NO | PART NUMBER | PART NAME | QUANTITY | REMARKS |
|----------|-----------------|----------------------|----------|---------|
| 1 | 689-85547-00-00 | DAMPER | 1 | |
| 2 | 6AW-24377-01-00 | PIPE, JOINT 2 | 1 | |
| 3 | 6DA-24314-00-00 | PIPE 4 | 1 | |
| 4 | 6E5-24351-51-00 | BAND 1 | 1 | |
| 5 | 90465-11M10-00 | CLAMP | 1 | |
| 6 | 6DA-24596-00-00 | COVER | 1 | |
| 7 | 95895-06025-00 | BOLT, FLANGE | 2 | |
| 8 | 6P3-24560-03-00 | FILTER ASSY | 1 | |
| 9 | 6P3-24563-01-00 | .ELEMENT, FILTER | 1 | |
| 10 | 6P3-24562-03-00 | .CUP, FILTER | 1 | |
| 11 | 6P3-24469-00-00 | ..FLOAT, WATER LEVEL | 1 | |
| 12 | 6P3-24519-00-00 | ..CLIP | 1 | |
| 13 | 6P3-24564-00-00 | .GASKET | 1 | |
| 14 | 6DA-24566-00-00 | BRACKET, FILTER | 1 | |
| 15 | 90119-06M17-00 | BOLT, WITH WASHER | 2 | |
| 16 | 90480-15013-00 | GROMMET | 2 | |
| 17 | 90387-06M60-00 | COLLAR | 2 | |
| 18 | 95895-06012-00 | BOLT, FLANGE | 2 | |
| 19 | 6DA-24313-00-00 | PIPE 3 | 1 | |
| 20 | 90465-11M10-00 | CLAMP | 2 | |

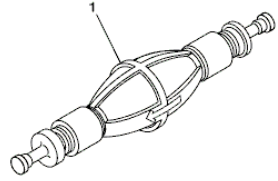
Part Notes

F200LB 1212 / FUEL 1

| PART NUMBER | NOTE TEXT |
|---|---|
| 6P3-24564-00-00  | OEM: This part number is among the Top 100 Most Popular Marine Maintenance Parts as of August 2013. |

©2013 Yamaha Motor Corporation, U.S.A. All rights reserved.

F200LB 1212 / FUEL 2



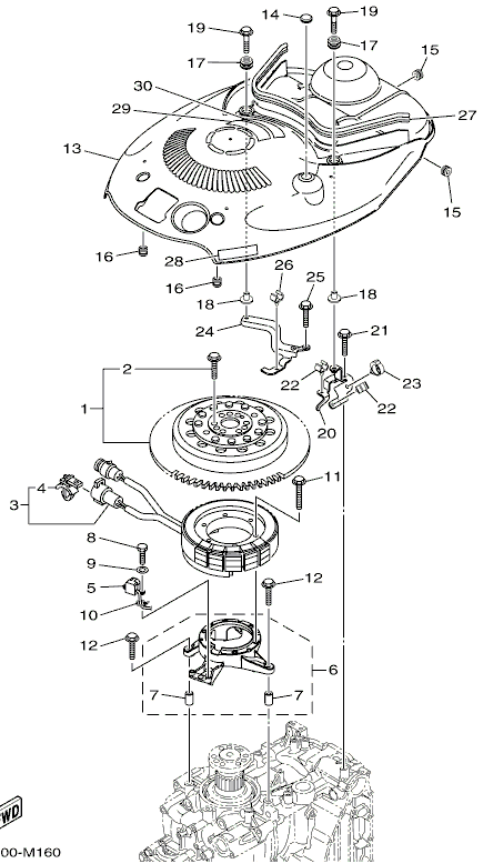
6AW6100-L160

©2013 Yamaha Motor Corporation, U.S.A. All rights reserved.

Part List *F200LB 1212 / FUEL 2*

| REF - NO | PART NUMBER | PART NAME | QUANTITY | REMARKS |
|----------------|-----------------|------------------|----------|---------|
| 1 | 6AW-24360-01-00 | PRIMER PUMP ASSY | 1 | AP |

F200LB 1212 / GENERATOR



©2013 Yamaha Motor Corporation, U.S.A. All rights reserved.


Part List

F200LB 1212 / GENERATOR

| REF - NO | PART NUMBER | PART NAME | QUANTITY | REMARKS |
|----------|-----------------|----------------------------|----------|---------|
| 1 | 6DA-W8145-00-00 | ROTOR ASSY WITH BOLTS | 1 | |
| 2 | 6AW-W9011-00-00 | .BOLT SET (FOR ROTOR ASSY) | 1 | |
| 3 | 6DA-81410-00-00 | STATOR ASSY | 1 | |
| 4 | 90464-12002-00 | .CLAMP | 1 | |
| 5 | 6CB-85580-00-00 | COIL, PULSER | 1 | |
| 6 | 6DA-85561-00-00 | BASE, MAGNETO | 1 | |
| 7 | 99590-08012-00 | .PIN, DOWEL | 2 | |
| 8 | 97095-05020-00 | BOLT | 2 | |
| 9 | 92995-05600-00 | WASHER | 2 | |
| 10 | 90465-13M97-00 | CLAMP | 1 | |
| 11 | 95022-06035-00 | BOLT, FLANGE | 6 | |
| 12 | 95895-06030-00 | BOLT, FLANGE | 4 | |
| 13 | 6DA-81337-00-00 | COVER, FLYWHEEL | 1 | |
| 14 | 90480-16025-00 | GROMMET | 1 | |
| 15 | 90480-12314-00 | GROMMET | 2 | |
| 16 | 6AO-82317-00-00 | DAMPER, IGNITION COIL | 2 | |
| 17 | 6BG-42748-00-00 | GROMMET | 2 | |
| 18 | 90387-06M69-00 | COLLAR | 2 | |
| 19 | 90119-06M61-00 | BOLT, WITH WASHER | 2 | |
| 20 | 6DA-8132G-00-00 | PLATE | 1 | |
| 21 | 95895-06016-00 | BOLT, FLANGE | 1 | |
| 22 | 90464-09130-00 | CLAMP | 2 | |
| 23 | 90464-20181-00 | CLAMP | 1 | |
| 24 | 6DA-82398-00-00 | PLATE 3 | 1 | |
| 25 | 95895-06016-00 | BOLT, FLANGE | 2 | |
| 26 | 90464-09130-00 | CLAMP | 1 | |
| 27 | 6DA-42617-00-00 | DAMPER, FORM | 1 | |
| 28 | 63P-13437-52-00 | MARK, CAUTION | 1 | |
| 29 | 6AH-81994-40-00 | LABEL, SAFETY | 1 | |
| 30 | 6AH-81994-50-00 | LABEL, SAFETY | 1 | |

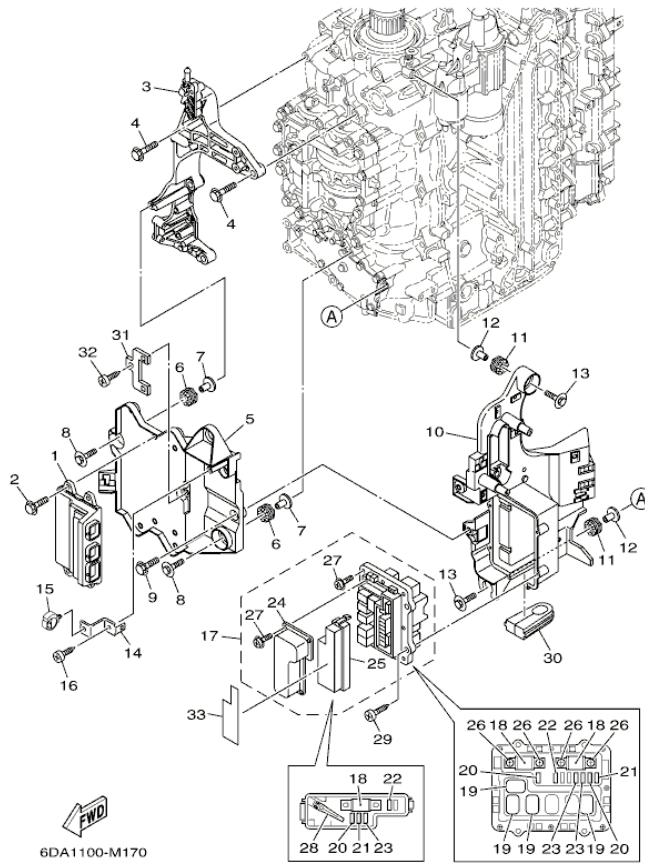
Part Notes

F200LB 1212 / GENERATOR

| PART NUMBER | NOTE TEXT |
|--|---|
| 90480-12314-00  | OEM: GROMMET used on F115TLR and F/LF115TXR 0510 Production and Later |

©2013 Yamaha Motor Corporation, U.S.A. All rights reserved.

F200LB 1212 / ELECTRICAL 1



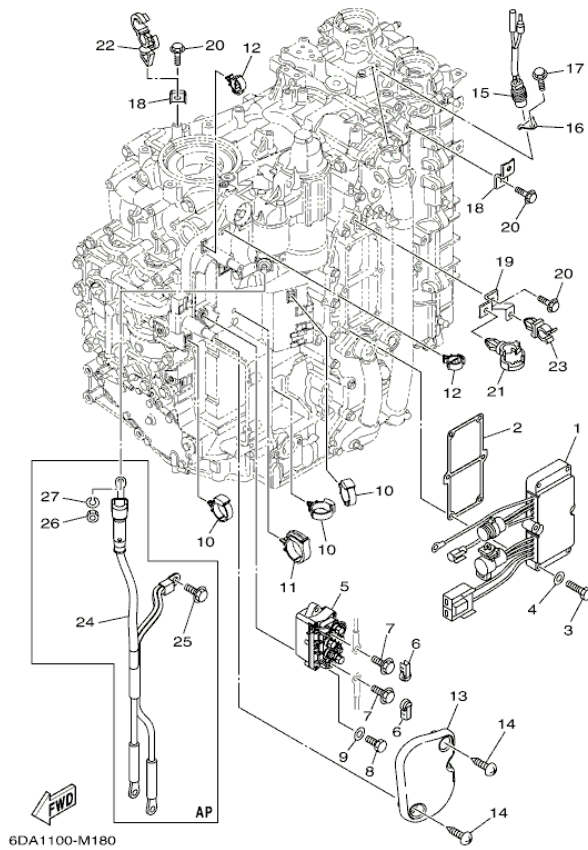
©2013 Yamaha Motor Corporation, U.S.A. All rights reserved.

Part List

F200LB 1212 / ELECTRICAL 1

| REF - NO | PART NUMBER | PART NAME | QUANTITY | REMARKS |
|----------------|-----------------|-----------------------------|----------|---------|
| 1 | 6DA-8591A-00-00 | ENGINE CONTROL UNIT ASSY | 1 | |
| 2 | 95895-06020-00 | BOLT, FLANGE | 4 | |
| 3 | 6DA-85991-00-00 | BRACKET, UNIT | 1 | |
| 4 | 95875-08035-00 | BOLT, FLANGE | 4 | |
| 5 | 6DA-81948-00-00 | BRACKET | 1 | |
| 6 | 68F-85516-01-00 | SPACER | 3 | |
| 7 | 90387-06176-00 | COLLAR | 3 | |
| 8 | 68F-85119-00-00 | BOLT | 3 | |
| 9 | 95895-06016-00 | BOLT, FLANGE | 2 | |
| 10 | 6DA-81952-00-00 | HOLDER, RELAY | 1 | |
| 11 | 68F-85516-01-00 | SPACER | 3 | |
| 12 | 90387-06176-00 | COLLAR | 3 | |
| 13 | 68F-85119-00-00 | BOLT | 3 | |
| 14 | 6DA-85548-00-00 | HOLDER | 1 | |
| 15 | 90464-20181-00 | CLAMP | 1 | |
| 16 | 97780-60620-00 | SCREW, TAPPING | 1 | |
| 17 | 6DA-82170-00-00 | FUSE BOX ASSY | 1 | |
| 18 | 6P2-82151-00-00 | .FUSE (60A) | 3 | |
| 19 | 68F-8195A-00-00 | .RELAY ASSY | 4 | |
| 20 | 67F-82151-40-00 | .FUSE (10A) | 3 | |
| 21 | 67F-82151-50-00 | .FUSE (15A) | 2 | |
| 22 | 67F-82151-00-00 | .FUSE (20A) | 2 | |
| 23 | 67F-82151-10-00 | .FUSE (30A) | 3 | |
| 24 | 6CB-81639-00-00 | .COVER | 1 | |
| 25 | 6CB-85544-00-00 | .CASE | 1 | |
| 26 | 68F-82846-00-00 | .SCREW, PAN HEAD (M5) | 4 | |
| 27 | 6P2-82113-00-00 | .SCREW | 13 | |
| 28 | 67F-2812A-00-00 | .PULLER, FUSE | 1 | |
| 29 | 97780-50620-00 | SCREW, TAPPING | 4 | |
| 30 | 6DA-81336-00-00 | GROMMET | 1 | |
| 31 | 6C5-8257V-00-00 | PLATE, CONNECTOR | 1 | |
| 32 | 97780-60620-00 | SCREW, TAPPING | 1 | |
| 33 | 6DA-81919-00-00 | GRAPHIC, REGULATOR | 1 | |

F200LB 1212 / ELECTRICAL 2



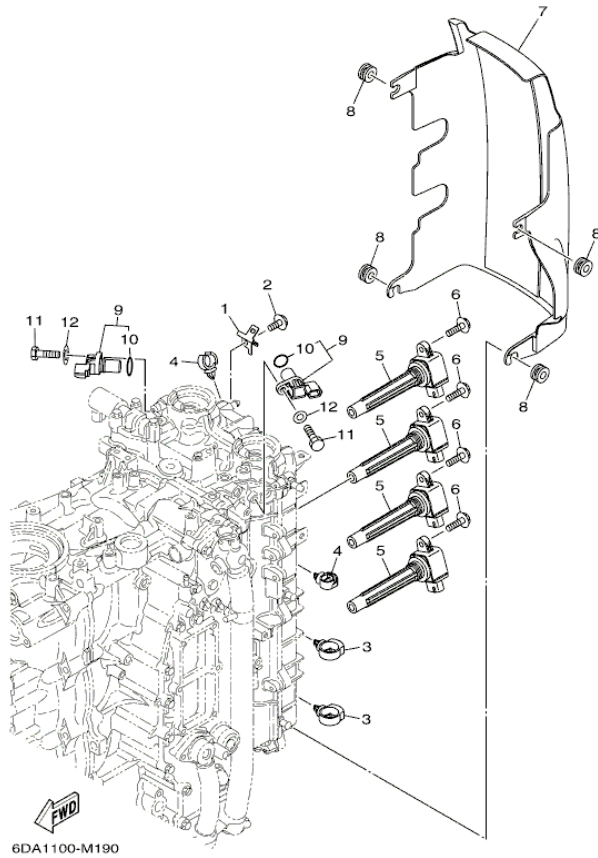
©2013 Yamaha Motor Corporation, U.S.A. All rights reserved.

Part List

F200LB 1212 / ELECTRICAL 2

| REF - NO | PART NUMBER | PART NAME | QUANTITY | REMARKS |
|----------------|-----------------|-------------------------------|----------|---------|
| 1 | 6DA-81960-00-00 | RECTIFIER & REGULATOR ASSY | 1 | |
| 2 | 6DA-81975-00-00 | PLATE, RECTIFIER FITTING | 1 | |
| 3 | 97095-06035-00 | BOLT | 6 | |
| 4 | 92995-06600-00 | WASHER | 6 | |
| 5 | 63P-81950-00-00 | RELAY ASSY | 1 | |
| 6 | 6P2-8183X-00-00 | CAP, TERMINAL | 2 | |
| 7 | 97595-06610-00 | BOLT, WITH WASHER | 2 | |
| 8 | 97095-06020-00 | BOLT | 2 | |
| 9 | 92995-06600-00 | WASHER | 2 | |
| 10 | 90464-12183-00 | CLAMP | 3 | |
| 11 | 90464-32002-00 | CLAMP | 1 | |
| 12 | 90464-18246-00 | .CLAMP | 2 | |
| 13 | 6DA-81942-00-00 | COVER | 1 | |
| 14 | 90169-05M00-00 | SCREW, TRUSS HEAD TAPPING | 2 | |
| 15 | 6P2-82560-01-00 | THERMO SWITCH ASSY | 1 | |
| 16 | 6E9-82588-00-00 | PLATE | 1 | |
| 17 | 95895-06012-00 | BOLT, FLANGE | 1 | |
| 18 | 6DA-82388-00-00 | PLATE | 2 | |
| 19 | 6DA-82389-00-00 | PLATE 2 | 1 | |
| 20 | 95895-06016-00 | BOLT, FLANGE | 3 | |
| 21 | 90464-20181-00 | CLAMP | 1 | |
| 22 | 90464-13249-00 | CLAMP | 1 | |
| 23 | 90464-09008-00 | CLAMP | 1 | |
| 24 | 6DA-82105-00-00 | BATTERY CABLE | 1 | AP |
| 25 | 95895-08016-00 | BOLT, FLANGE | 1 | AP |
| 26 | 95333-08600-00 | NUT | 1 | AP |
| 27 | 92903-08100-00 | WASHER, SPRING | 1 | AP |

F200LB 1212 / ELECTRICAL 3



6DA1100-M190

©2013 Yamaha Motor Corporation, U.S.A. All rights reserved.


Part List

F200LB 1212 / ELECTRICAL 3

| REF - NO | PART NUMBER | PART NAME | QUANTITY | REMARKS |
|----------|-----------------|----------------------|----------|---------|
| 1 | 6D8-82389-01-00 | PLATE 2 | 1 | |
| 2 | 95895-06012-00 | BOLT, FLANGE | 1 | |
| 3 | 90464-20181-00 | CLAMP | 2 | |
| 4 | 90464-13249-00 | CLAMP | 2 | |
| 5 | 6CB-82310-00-00 | IGNITION COIL ASSY | 4 | |
| 6 | 95895-06025-00 | BOLT, FLANGE | 4 | |
| 7 | 6DA-82314-00-00 | COVER, IGNITION COIL | 1 | |
| 8 | 90480-12314-00 | GROMMET | 4 | |
| 9 | 6P2-85896-00-00 | SENSOR, CAM POSITION | 2 | |
| 10 | 6P2-85075-00-00 | .O-RING | 1 | |
| 11 | 97095-06020-00 | BOLT | 2 | |
| 12 | 92995-06600-00 | WASHER | 2 | |

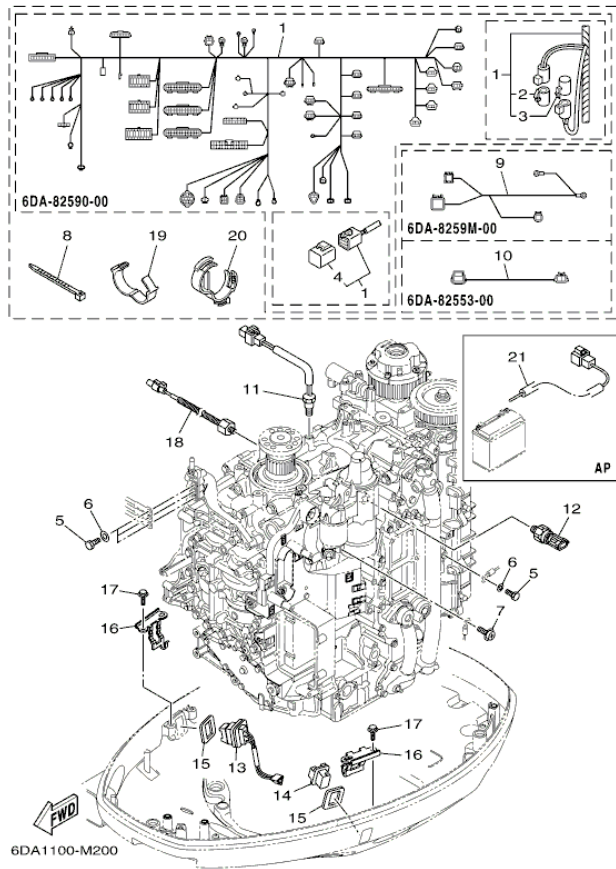
Part Notes

F200LB 1212 / ELECTRICAL 3

| PART NUMBER | NOTE TEXT |
|--|---|
| 90480-12314-00  | OEM: GROMMET used on F115TLR and F/LF115TXR 0510 Production and Later |

©2013 Yamaha Motor Corporation, U.S.A. All rights reserved.

F200LB 1212 / ELECTRICAL 4



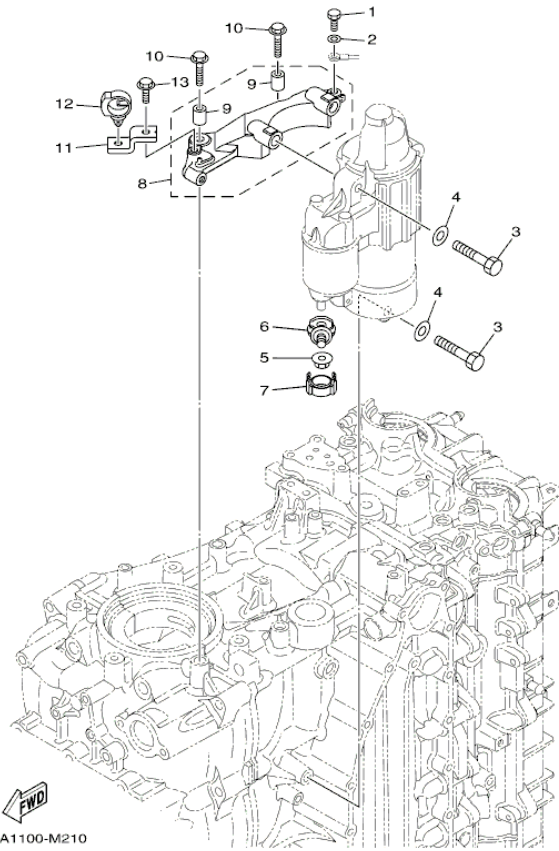
©2013 Yamaha Motor Corporation, U.S.A. All rights reserved.

Part List

F200LB 1212 / ELECTRICAL 4

| REF - NO | PART NUMBER | PART NAME | QUANTITY | REMARKS |
|----------------|-----------------|---------------------------------|----------|---------|
| 1 | 6DA-82590-00-00 | WIRE HARNESS ASSY | 1 | |
| 2 | 6DA-82582-00-00 | .CAP 1 (FEMALE) | 1 | |
| 3 | 6DA-82582-10-00 | .CAP 1 (MALE) | 1 | |
| 4 | 6Y8-82582-11-00 | .CAP 1 (4PIN) | 1 | |
| 5 | 97095-06016-00 | BOLT | 4 | |
| 6 | 92995-06600-00 | WASHER | 4 | |
| 7 | 97985-04308-00 | SCREW, WITH WASHER | 1 | |
| 8 | 90465-11M59-00 | CLAMP | 1 | |
| 9 | 6DA-8259M-00-00 | WIRE HARNESS ASSY 2 | 1 | |
| 10 | 6DA-82553-00-00 | EXTENSION, WIRE LEAD | 1 | |
| 11 | 6CB-85790-00-00 | THERMOSENSOR ASSY | 1 | |
| 12 | 6AW-83651-00-00 | SENDER, OIL PRESSURE | 1 | |
| 13 | 69J-82563-00-00 | TRIM & TILT SWITCH ASSY | 1 | |
| 14 | 69J-42723-01-00 | COVER, BOTTOM | 1 | |
| 15 | 69J-82587-00-00 | GASKET | 2 | |
| 16 | 63P-83614-01-00 | BRACKET | 2 | |
| 17 | 95895-06012-00 | BOLT, FLANGE | 4 | |
| 18 | 6CJ-85780-00-00 | SENSOR, KNOCK | 1 | |
| 19 | 90464-26001-00 | CLAMP | 4 | |
| 20 | 90464-30003-00 | CLAMP | 2 | |
| 21 | 69J-81949-02-00 | WIRE, LEAD (ISOLATOR, 3.8M) | 1 | AP |

F200LB 1212 / ELECTRICAL 5



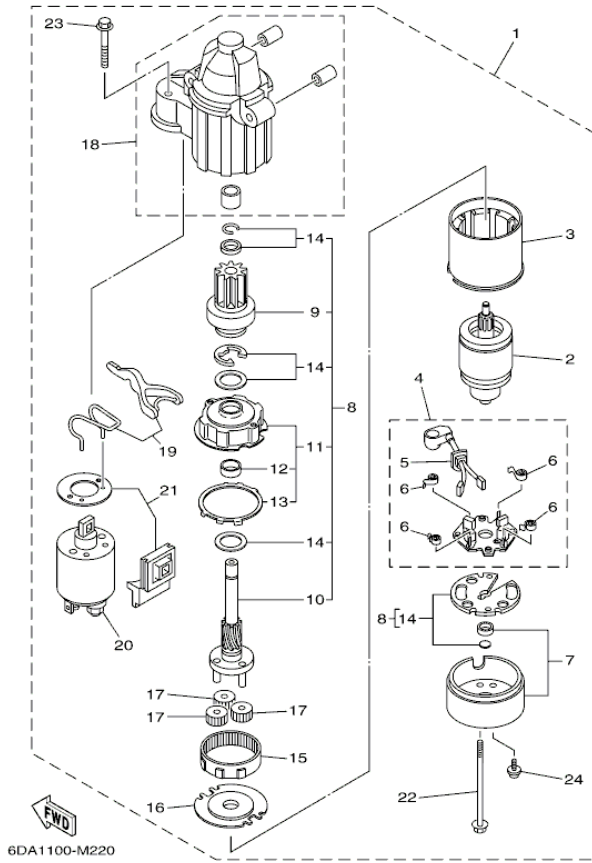
©2013 Yamaha Motor Corporation, U.S.A. All rights reserved.

Part List

F200LB 1212 / ELECTRICAL 5

| REF - NO | PART NUMBER | PART NAME | QUANTITY | REMARKS |
|----------------|-----------------|-------------------------|----------|---------|
| 1 | 97095-06016-00 | BOLT | 1 | |
| 2 | 92995-06600-00 | WASHER | 1 | |
| 3 | 97013-08045-00 | BOLT | 3 | |
| 4 | 92903-08600-00 | WASHER, PLATE | 3 | |
| 5 | 90179-08003-00 | NUT | 1 | |
| 6 | 60V-81925-00-00 | TERMINAL | 1 | |
| 7 | 68F-82582-00-00 | COVER, WIRE HARNESS | 1 | |
| 8 | 6DA-81822-00-00 | BRACKET, STARTING MOTOR | 1 | |
| 9 | 99590-10114-00 | .PIN, DOWEL | 2 | |
| 10 | 90105-08M87-00 | BOLT, FLANGE | 2 | |
| 11 | 6DA-82388-00-00 | PLATE | 1 | |
| 12 | 90464-20181-00 | CLAMP | 1 | |
| 13 | 95895-06016-00 | BOLT, FLANGE | 1 | |

F200LB 1212 / STARTING MOTOR



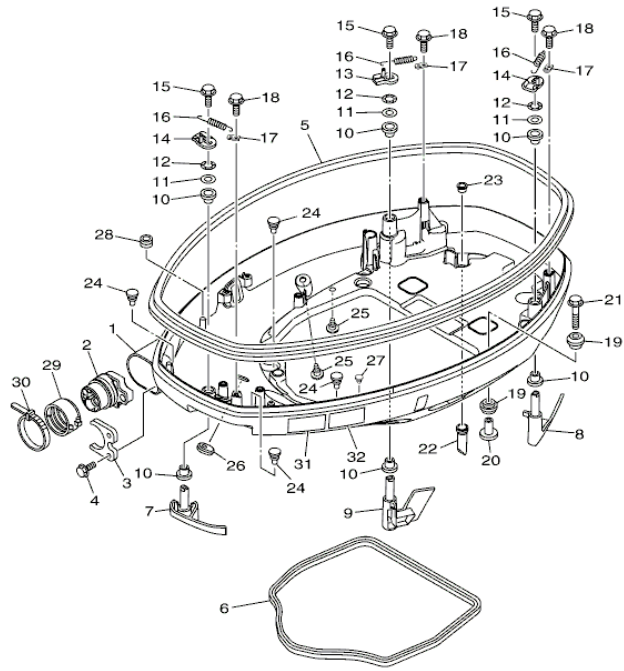
©2013 Yamaha Motor Corporation, U.S.A. All rights reserved.

Part List

F200LB 1212 / STARTING MOTOR

| REF - NO | PART NUMBER | PART NAME | QUANTITY | REMARKS |
|----------------|-----------------|-------------------------------|----------|-------------------|
| 1 | 6CB-81800-00-00 | STARTING MOTOR ASSY | 1 | |
| 2 | 67F-81850-00-00 | .ARMATURE ASSY | 1 | |
| 3 | 67F-81810-00-00 | .STATOR ASSY | 1 | |
| 4 | 69J-81840-00-00 | .BRUSH HOLDER ASSY | 1 | |
| 5 | 69J-81801-00-00 | ..BRUSH SET | 1 | |
| 6 | 67F-81813-00-00 | ..SPRING, BRUSH | 4 | |
| 7 | 6CB-81820-00-00 | .REAR BRACKET ASSY | 1 | |
| 8 | 6CB-81807-00-00 | .GEAR ASSY, STARTING MOTOR | 1 | |
| 9 | 6CB-81832-00-00 | ..CLUTCH, OVER RUN | 1 | |
| 10 | 6CB-81836-00-00 | ..SHAFT, PINION | 1 | |
| 11 | 67F-81821-00-00 | ..BRACKET, CENTER 1 | 1 | |
| 12 | 67F-81841-00-00 | ...BEARING | 1 | |
| 13 | 67F-8183R-00-00 | ...GASKET | 1 | |
| 14 | 6CB-81809-00-00 | ..WASHER KIT | 1 | |
| 15 | 67F-81891-00-00 | .GEAR, RING | 1 | WITH 67F-8183R-00 |
| 16 | 67F-81830-00-00 | .BRACKET, CENTER 2 | 1 | |
| 17 | 60V-8183T-00-00 | .GEAR, IDLER | 3 | |
| 18 | 6CB-81842-00-00 | .COVER | 1 | |
| 19 | 6C5-81839-00-00 | .LEVER ASSY | 1 | |
| 20 | 6C5-81941-00-00 | .STARTER RELAY ASSY | 1 | |
| 21 | 6C5-81869-00-00 | .COVER, DUST | 1 | |
| 22 | 6CB-81826-00-00 | .BOLT | 2 | |
| 23 | 69J-81828-00-00 | .SCREW 2 | 2 | |
| 24 | 67F-81846-00-00 | .SCREW | 2 | |

F200LB 1212 / BOTTOM COWLING 1



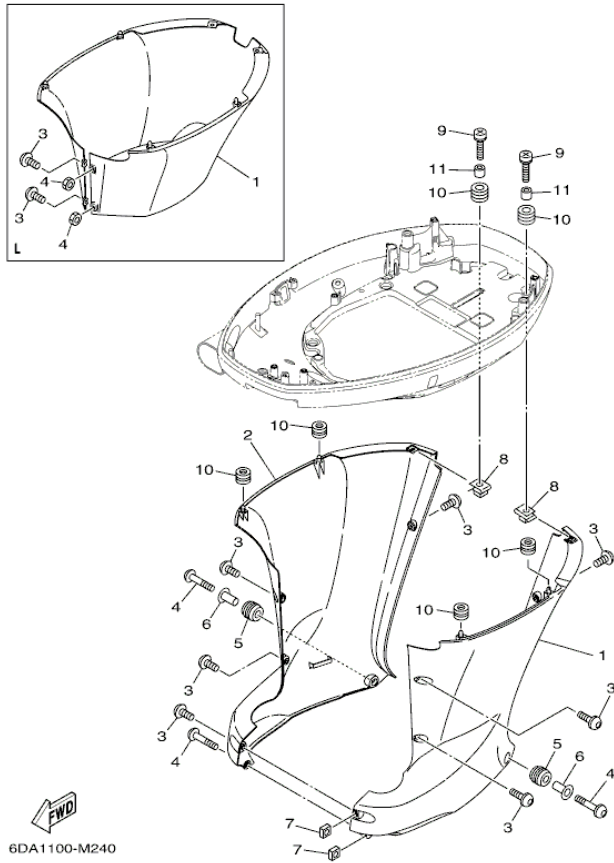

6DA1100-M230

Part List

F200LB 1212 / BOTTOM COWLING 1

| REF - NO | PART NUMBER | PART NAME | QUANTITY | REMARKS |
|----------------|-----------------|--------------------------|----------|---------|
| 1 | 6DA-42710-00-8D | BOTTOM COWLING ASSY | 1 | |
| 2 | 6DA-42725-00-00 | GROMMET | 1 | |
| 3 | 6CB-42761-00-00 | STOPPER | 1 | |
| 4 | 95895-06014-00 | BOLT, FLANGE | 2 | |
| 5 | 6DA-42615-00-00 | SEAL | 1 | |
| 6 | 63P-42716-00-00 | RUBBER, SEAL 1 | 1 | |
| 7 | 6DA-42815-00-8D | LEVER, CLAMP | 1 | |
| 8 | 6DA-42816-00-8D | LEVER, CLAMP | 1 | |
| 9 | 6DA-42817-00-8D | LEVER, CLAMP | 1 | |
| 10 | 90386-15M73-00 | BUSH | 6 | |
| 11 | 90201-156J2-00 | WASHER, PLATE | 3 | |
| 12 | 90206-15M18-00 | WASHER, WAVE | 3 | |
| 13 | 6CB-42818-00-00 | LEVER, CLAMP | 1 | |
| 14 | 6CB-42819-00-00 | LEVER, CLAMP | 2 | |
| 15 | 95880-08012-00 | BOLT, FLANGE | 3 | |
| 16 | 90506-22001-00 | SPRING, TENSION | 3 | |
| 17 | 66T-43144-00-00 | HOOK, SPRING | 3 | |
| 18 | 95895-06012-00 | BOLT, FLANGE | 3 | |
| 19 | 90480-22M81-00 | GROMMET | 8 | |
| 20 | 90387-08M37-00 | COLLAR | 4 | |
| 21 | 90119-08M22-00 | BOLT, WITH WASHER | 4 | |
| 22 | 6DA-42717-00-00 | RUBBER, SEAL 2 | 4 | |
| 23 | 6DA-42384-00-00 | SEAL, CAP | 4 | |
| 24 | 6H4-42748-00-00 | GROMMET | 4 | |
| 25 | 6P2-44391-00-00 | NIPPLE, HOSE | 2 | |
| 26 | 61A-42727-00-00 | GROMMET | 1 | |
| 27 | 90269-07003-00 | RIVET | 1 | |
| 28 | 90480-13163-00 | GROMMET | 1 | |
| 29 | 68F-42753-00-00 | FASTNER | 1 | AP |
| 30 | 90464-20258-00 | CLAMP | 1 | AP |
| 31 | 6AH-42794-40-00 | LABEL, WARNING (GENERAL) | 1 | |
| 32 | 6AH-42794-50-00 | LABEL, WARNING (GENERAL) | 1 | |

F200LB 1212 / BOTTOM COWLING 2



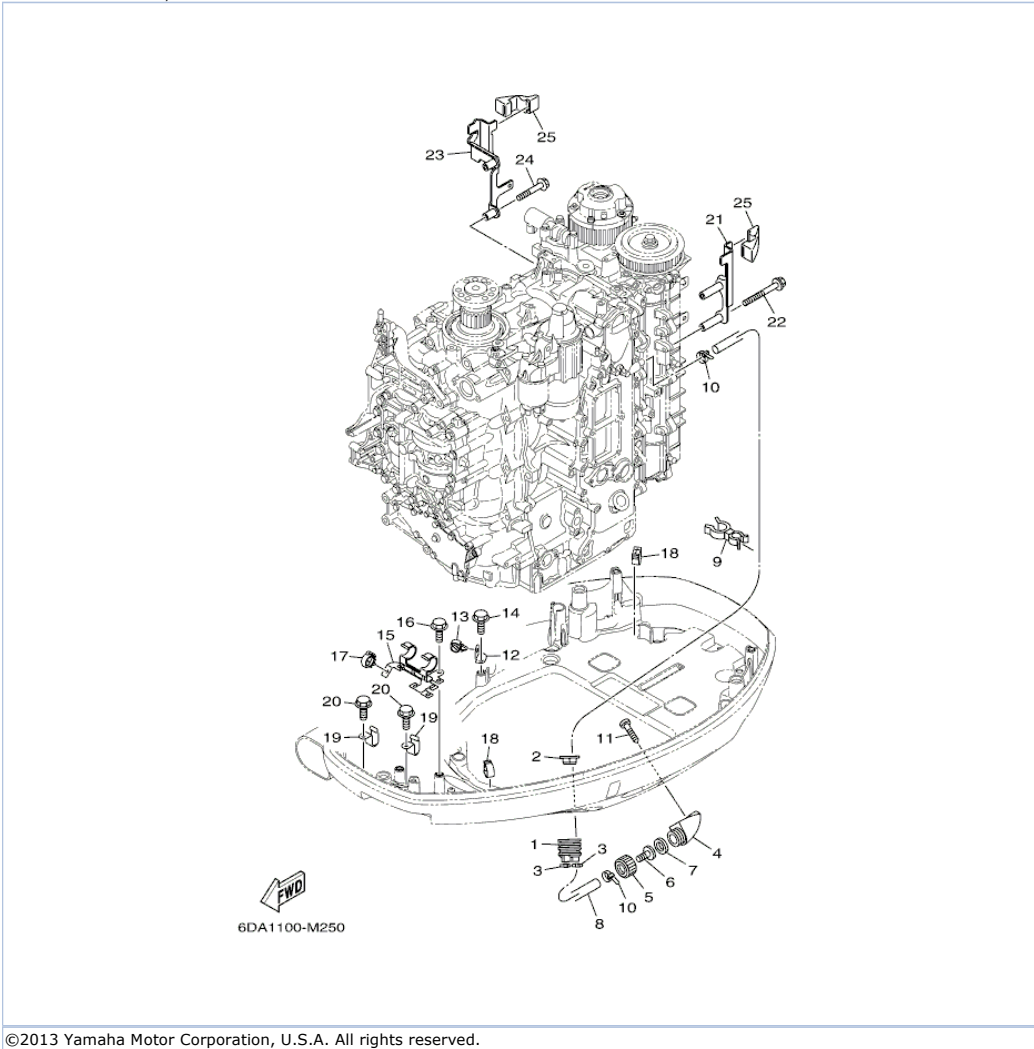
©2013 Yamaha Motor Corporation, U.S.A. All rights reserved.

Part List

F200LB 1212 / BOTTOM COWLING 2

| REF - NO | PART NUMBER | PART NAME | QUANTITY | REMARKS |
|----------------|-----------------|--------------------|----------|----------|
| 1 | 6DA-42741-10-8D | APRON | 1 | L(20.3") |
| 3 | 90159-06M28-00 | SCREW, WITH WASHER | 2 | L(20.3") |
| 4 | 95380-06600-00 | NUT, HEXAGON | 2 | L(20.3") |
| 8 | 90183-061A6-00 | NUT, SPRING | 2 | |
| 9 | 90159-06053-00 | SCREW, WITH WASHER | 2 | |
| 10 | 90480-13M24-00 | GROMMET | 6 | |
| 11 | 90387-06M43-00 | COLLAR | 2 | |

F200LB 1212 / BOTTOM COWLING 3



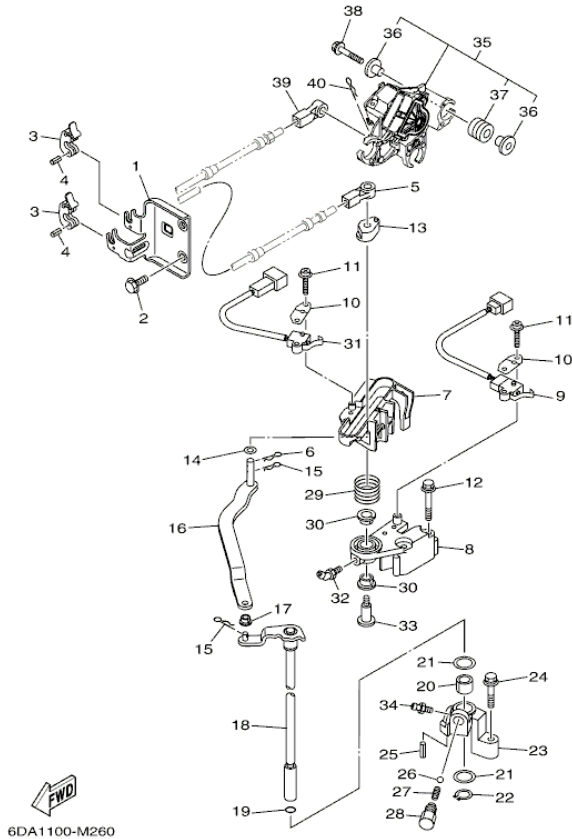
©2013 Yamaha Motor Corporation, U.S.A. All rights reserved.

Part List

F200LB 1212 / BOTTOM COWLING 3

| REF - NO | PART NUMBER | PART NAME | QUANTITY | REMARKS |
|----------------|-----------------|--------------------|----------|--------------|
| 1 | 6H1-42726-21-00 | GROMMET | 1 | |
| 2 | 6BG-42384-00-00 | SEAL, CAP | 1 | |
| 3 | 90465-11M10-00 | CLAMP | 2 | |
| 4 | 6AW-12572-00-00 | ADAPTER | 1 | |
| 5 | 6R3-12581-00-00 | JOINT, HOSE 1 | 1 | FLUSHING KIT |
| 6 | 6AW-12582-00-00 | JOINT, HOSE 2 | 1 | |
| 7 | 6R3-12583-00-00 | GASKET, HOSE JOINT | 1 | FLUSHING KIT |
| 8 | 6DA-42541-00-00 | PIPE 1 | 1 | |
| 9 | 90464-21256-00 | CLAMP | 1 | |
| 10 | 90465-11M10-00 | CLAMP | 2 | |
| 11 | 97780-60520-00 | SCREW, TAPPING | 2 | |
| 12 | 63P-42756-00-00 | STAY, CLAMP | 1 | |
| 13 | 90464-13249-00 | CLAMP | 1 | |
| 14 | 95895-06012-00 | BOLT, FLANGE | 1 | |
| 15 | 6DA-8366G-00-00 | BRACKET 3 | 1 | |
| 16 | 95895-06012-00 | BOLT, FLANGE | 2 | |
| 17 | 90464-18246-00 | .CLAMP | 1 | |
| 18 | 90464-18004-00 | CLAMP | 2 | |
| 19 | 90462-12013-00 | CLAMP | 2 | |
| 20 | 95895-06012-00 | BOLT, FLANGE | 2 | |
| 21 | 6DA-11998-00-00 | BRACKET 1 | 1 | |
| 22 | 95895-06065-00 | BOLT, FLANGE | 2 | |
| 23 | 6DA-11999-00-00 | BRACKET 2 | 1 | |
| 24 | 95895-06040-00 | BOLT, FLANGE | 2 | |
| 25 | 6CB-42662-00-00 | DAMPER | 2 | |

F200LB 1212 / CONTROL



6DA1100-M260

©2013 Yamaha Motor Corporation, U.S.A. All rights reserved.


Part List

F200LB 1212 / CONTROL

| REF - NO | PART NUMBER | PART NAME | QUANTITY | REMARKS |
|----------------|-----------------|------------------------------|----------|----------|
| 1 | 6DA-48531-00-00 | BRACKET, REMOTE CONTROL 1 | 1 | |
| 2 | 95895-08020-00 | BOLT, FLANGE | 2 | |
| 3 | 6E5-48538-00-00 | CLAMP, CABLE | 2 | |
| 4 | 91690-30010-00 | PIN, SPRING | 2 | |
| 5 | 6E5-48344-00-00 | CABLE END, REMOTE CONTROL | 1 | |
| 6 | 90468-18008-00 | CLIP | 1 | |
| 7 | 6DA-44176-00-00 | BRACKET | 1 | |
| 8 | 63P-44117-00-00 | BRACKET | 1 | |
| 9 | 69J-8259F-00-00 | SWITCH ASSY | 1 | |
| 10 | 61A-82588-01-00 | PLATE | 2 | |
| 11 | 97985-04116-00 | SCREW, WITH WASHER | 4 | |
| 12 | 97595-06550-00 | BOLT, WITH WASHER | 2 | |
| 13 | 63P-44122-00-00 | BUSHING, SHIFT ROD LEVER | 1 | |
| 14 | 90202-08M20-00 | WASHER, PLATE | 1 | |
| 15 | 90468-18008-00 | CLIP | 2 | |
| 16 | 6DA-44121-00-00 | LEVER, SHIFT ROD | 1 | |
| 17 | 90386-06M12-00 | BUSH | 1 | |
| 18 | 6DA-44120-10-00 | HANDLE GEAR SHIFT ASSY | 1 | L(20.3") |
| 19 | 93210-09165-00 | O-RING | 1 | |
| 20 | 90386-16M66-00 | BUSH | 1 | |
| 21 | 90202-16061-00 | WASHER, PLATE | 2 | |
| 22 | 93410-16006-00 | CIRCLIP | 1 | |
| 23 | 63P-44118-00-00 | BRACKET | 1 | |
| 24 | 97575-06535-00 | BOLT, WITH WASHER | 1 | |
| 25 | 91690-30010-00 | PIN, SPRING | 1 | |
| 26 | 93501-04M02-00 | BALL | 1 | |
| 27 | 90501-12082-00 | SPRING, COMPRESSION | 1 | |
| 28 | 648-42715-00-00 | BUSHING | 1 | |
| 29 | 90508-20M31-00 | SPRING, TORSION | 1 | |
| 30 | 90386-12069-00 | BUSH | 2 | |
| 31 | 60V-8259F-00-00 | SWITCH ASSY | 1 | |
| 32 | 93700-06M01-00 | NIPPLE, GREASE | 1 | |
| 33 | 90109-08019-00 | BOLT | 1 | |
| 34 | 93700-06M03-00 | NIPPLE, GREASE | 1 | |
| 35 | 6DA-8A410-00-00 | SENSOR UNIT | 1 | |
| 36 | 69J-13716-00-00 | .COLLAR | 6 | |
| 37 | 6CB-13593-00-00 | .DAMPER | 3 | |
| 38 | 90119-06126-00 | BOLT, WITH WASHER | 3 | |
| 39 | 6E5-48344-00-00 | CABLE END, REMOTE CONTROL | 1 | |
| 40 | 90468-18008-00 | CLIP | 1 | |

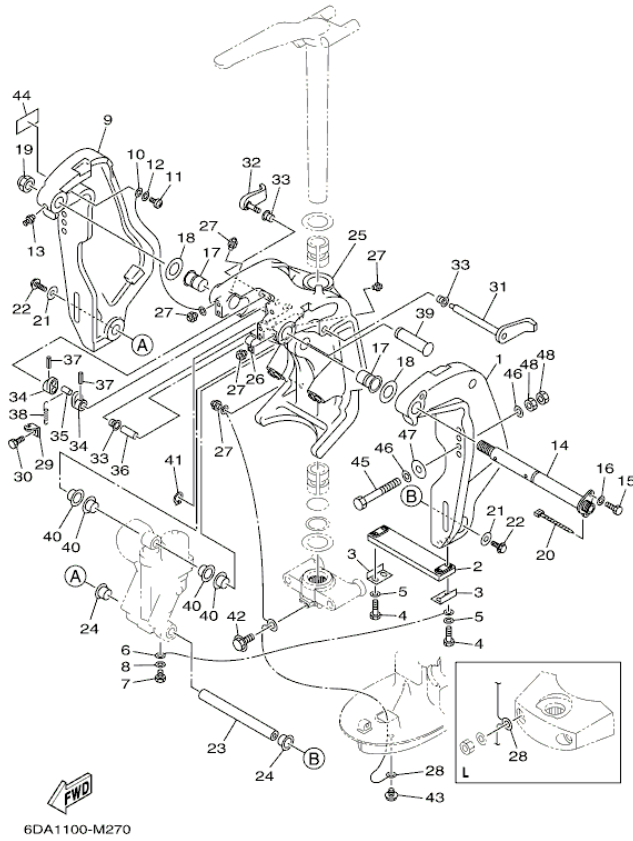
Part Notes

F200LB 1212 / CONTROL

| PART NUMBER | NOTE TEXT |
|--|---|
| 93700-06M03-00  | OEM: This part number is among the Top 100 Most Popular Marine Maintenance Parts as of August 2013. |

©2013 Yamaha Motor Corporation, U.S.A. All rights reserved.

F200LB 1212 / BRACKET 1



6DA1100-M270

©2013 Yamaha Motor Corporation, U.S.A. All rights reserved.



Part List

F200LB 1212 / BRACKET 1

| REF - NO | PART NUMBER | PART NAME | QUANTITY | REMARKS |
|----------------|-----------------|------------------------|----------|----------|
| 1 | 64E-43111-02-8D | BRACKET, CLAMP 1 | 1 | |
| 2 | 6AW-45251-00-00 | ANODE | 1 | |
| 3 | 6G5-44526-00-00 | PLATE | 2 | |
| 4 | 97095-06030-00 | BOLT | 4 | |
| 5 | 92995-06600-00 | WASHER | 4 | |
| 6 | 6E5-82148-00-00 | WIRE, LEAD 4 | 1 | |
| 7 | 97095-06010-00 | BOLT | 1 | |
| 8 | 92995-06600-00 | WASHER | 1 | |
| 9 | 64E-43112-02-8D | BRACKET, CLAMP 2 | 1 | |
| 10 | 6E5-82148-00-00 | WIRE, LEAD 4 | 1 | |
| 11 | 97885-06012-00 | SCREW, PAN HEAD | 1 | |
| 12 | 92995-06600-00 | WASHER | 1 | |
| 13 | 93700-06M03-00 | NIPPLE, GREASE | 1 | |
| 14 | 64E-43131-30-00 | BOLT, CLAMP BRACKET | 1 | |
| 15 | 97095-08020-00 | BOLT | 1 | |
| 16 | 92995-08600-00 | WASHER | 1 | |
| 17 | 90386-25M31-00 | BUSH | 2 | |
| 18 | 90201-26M59-00 | WASHER, PLATE | 2 | |
| 19 | 90185-22M11-00 | NUT, SELF-LOCKING | 1 | |
| 20 | 90465-11M10-00 | CLAMP | 1 | |
| 21 | 90201-10060-00 | WASHER, PLATE | 2 | |
| 22 | 97575-10530-00 | BOLT, WITH WASHER | 2 | |
| 23 | 6BC-43818-00-00 | PIN, LOWER SHOCK MOUNT | 1 | |
| 24 | 90386-22M98-00 | BUSH | 2 | |
| 25 | 64E-43311-10-8D | BRACKET, SWIVEL 1 | 1 | L(20.3") |
| 26 | 90465-08M63-00 | CLAMP | 1 | |
| 27 | 93700-06M03-00 | NIPPLE, GREASE | 5 | |
| 28 | 66K-82149-00-00 | WIRE, LEAD 3 | 1 | L(20.3") |
| 29 | 6G5-43144-00-00 | HOOK, SPRING | 1 | |
| 30 | 97095-06010-00 | BOLT | 1 | |
| 31 | 6G5-43181-02-00 | LEVER, TILT STOP 1 | 1 | |
| 32 | 6G5-43185-02-00 | LEVER, TILT STOP 2 | 1 | |
| 33 | 90386-10M16-00 | BUSH | 3 | |
| 34 | 6G5-43148-00-00 | COLLAR, DISTANCE | 2 | |
| 35 | 90249-06M19-00 | PIN | 1 | |
| 36 | 90387-10M05-00 | COLLAR | 1 | |
| 37 | 91690-30020-00 | PIN, SPRING | 2 | |
| 38 | 90506-16003-00 | SPRING, TENSION | 1 | |
| 39 | 64E-43126-00-00 | PIN, UPPER SHOCK MOUNT | 1 | |
| 40 | 90386-22M98-00 | BUSH | 4 | |
| 41 | 93410-22M11-00 | CIRCLIP | 1 | |
| 43 | 95895-06010-00 | BOLT, FLANGE | 1 | |
| 44 | 63V-82377-50-00 | LABEL (SPARK,IGNITION) | 1 | CAN |
| 45 | 90101-12M05-00 | BOLT (L:130MM) | 4 | |
| 46 | 90201-13M01-00 | WASHER, PLATE | 8 | |
| 47 | 90201-12426-00 | WASHER, PLATE | 4 | |
| 48 | 95380-12600-00 | NUT | 8 | |

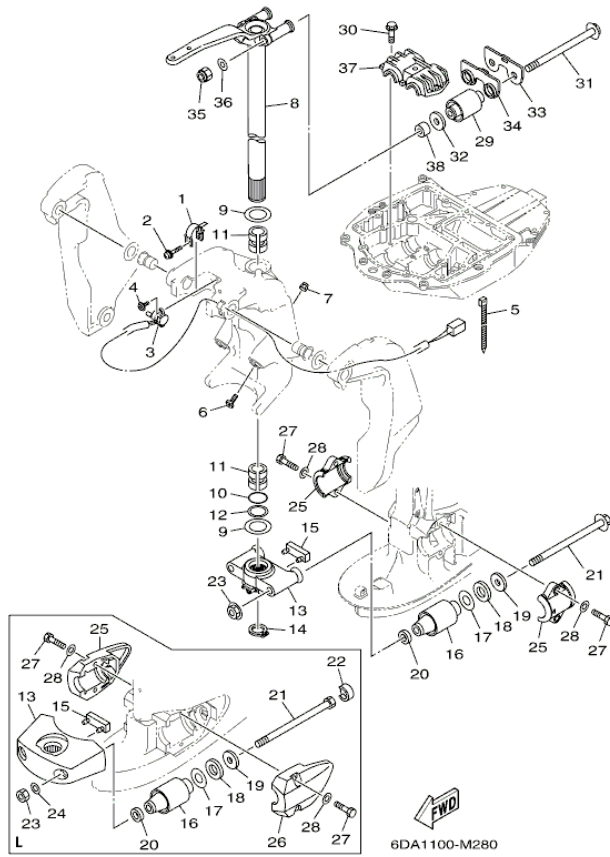
Part Notes

F200LB 1212 / BRACKET 1

| PART NUMBER | NOTE TEXT |
|--|---|
| 93700-06M03-00  | OEM: This part number is among the Top 100 Most Popular Marine Maintenance Parts as of August 2013. |
| 93700-06M03-00  | OEM: This part number is among the Top 100 Most Popular Marine Maintenance Parts as of August 2013. |

©2013 Yamaha Motor Corporation, U.S.A. All rights reserved.

F200LB 1212 / BRACKET 2



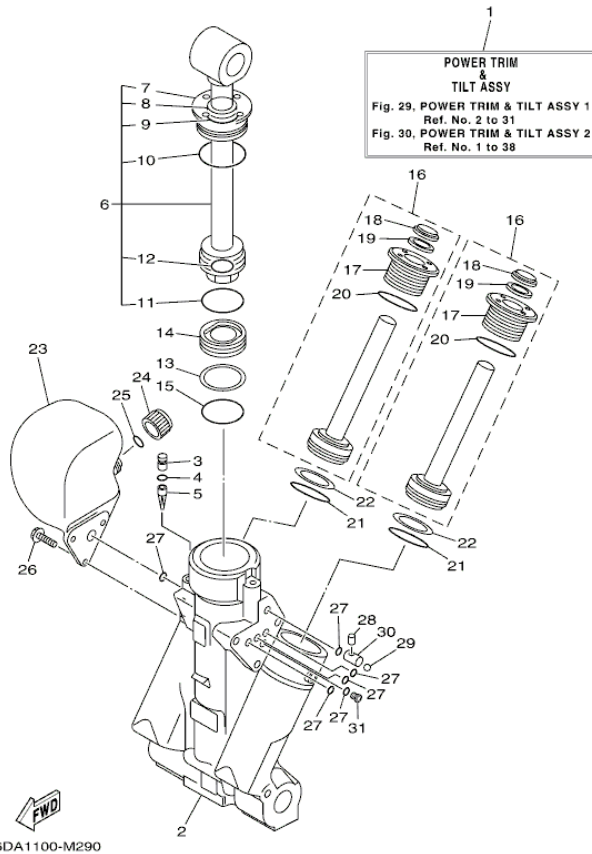
©2013 Yamaha Motor Corporation, U.S.A. All rights reserved.

Part List

F200LB 1212 / BRACKET 2

| REF - NO | PART NUMBER | PART NAME | QUANTITY | REMARKS |
|----------------|-----------------|----------------------------------|----------|----------|
| 1 | 64E-43139-10-00 | CAM, TRIM SENDER | 1 | |
| 2 | 90159-05059-00 | SCREW, WITH WASHER | 1 | |
| 3 | 67H-83672-01-00 | TRIM SENDER | 1 | |
| 4 | 97985-06216-00 | SCREW, WITH WASHER | 2 | |
| 5 | 90465-11M10-00 | CLAMP | 3 | |
| 6 | 61A-43376-00-00 | BOLT, THRUST RECEIVER | 2 | |
| 7 | 95780-10300-00 | NUT, FLANGE | 2 | |
| 8 | 6DA-42510-10-8D | STEERING BRACKET ASSY | 1 | L(20.3") |
| 9 | 90201-38M60-00 | WASHER, PLATE | 2 | |
| 10 | 93210-37MH7-00 | O-RING | 1 | |
| 11 | 90386-38M32-00 | BUSH | 2 | |
| 12 | 90202-40M47-00 | WASHER, PLATE | 1 | |
| 13 | 68V-44551-00-8D | HOUSING, LOWER MOUNT RUBBER 1 | 1 | L(20.3") |
| 14 | 93410-37M04-00 | CIRCLIP | 1 | |
| 15 | 61A-44575-00-00 | DAMPER, LOWER MOUNT RUBBER | 1 | L(20.3") |
| 16 | 60V-44555-00-00 | MOUNT DAMPER, LOWER SIDE | 2 | L(20.3") |
| 17 | 90201-35008-00 | WASHER, PLATE | 2 | |
| 18 | 90202-32M19-00 | WASHER, PLATE | 2 | |
| 19 | 90201-16M55-00 | WASHER, PLATE | 2 | |
| 20 | 90201-15M58-00 | WASHER, PLATE | 2 | |
| 21 | 90101-14004-00 | BOLT | 2 | L(20.3") |
| 22 | 69J-44533-00-00 | DAMPER, UPPER MOUNT RUBBER | 2 | L(20.3") |
| 23 | 95380-14600-00 | NUT | 2 | L(20.3") |
| 24 | 92995-14600-00 | WASHER | 2 | L(20.3") |
| 25 | 63P-44553-00-8D | COVER, LOWER MOUNT | 1 | L(20.3") |
| 26 | 63P-44556-00-8D | COVER, LOWER MOUNT 2 | 1 | L(20.3") |
| 27 | 97075-10040-00 | BOLT | 4 | |
| 28 | 92995-10600-00 | WASHER | 4 | |
| 29 | 6DA-44514-00-00 | MOUNT DAMPER, UPPER SIDE | 2 | |
| 30 | 90119-10024-00 | BOLT, WITH WASHER | 3 | |
| 31 | 90105-14009-00 | BOLT, FLANGE | 2 | |
| 32 | 90201-16M01-00 | WASHER, PLATE | 2 | |
| 33 | 6DA-44526-00-00 | PLATE | 1 | |
| 34 | 6DA-44532-00-00 | STOPPER, UPPER MOUNT | 1 | |
| 35 | 90185-14M00-00 | NUT, SELF-LOCKING | 2 | |
| 36 | 92995-14600-00 | WASHER | 2 | |
| 37 | 63P-44511-00-00 | COVER, UPPER MOUNT | 1 | |
| 38 | 90387-14004-00 | COLLAR | 2 | |

F200LB 1212 / POWER TRIM TILT ASSY 1



©2013 Yamaha Motor Corporation, U.S.A. All rights reserved.





Part List

F200LB 1212 / POWER TRIM TILT ASSY 1

| REF - NO | PART NUMBER | PART NAME | QUANTITY | REMARKS |
|----------------|-----------------|------------------------------|----------|---------|
| 1 | 63P-43800-06-00 | POWER TRIM & TILT ASSY | 1 | |
| 2 | 64E-43825-03-00 | HOUSING, TRIM & TILT | 1 | |
| 3 | 6AW-4388J-00-00 | PLUG 2 | 1 | |
| 4 | 93210-10M74-00 | O-RING | 1 | |
| 5 | 64E-43817-00-00 | FILTER 2 | 1 | |
| 6 | 63P-43810-02-00 | TILT PISTON SUB ASSY | 1 | |
| 7 | 64E-43811-02-00 | .SCREW, CYLINDER END | 1 | |
| 8 | 64E-43898-00-00 | .SEAL, DUST 2 | 1 | |
| 9 | 64E-43867-00-00 | .O-RING | 1 | |
| 10 | 64E-43866-00-00 | .O-RING | 1 | |
| 11 | 6E5-43862-00-00 | .O-RING | 1 | |
| 12 | 64E-43883-00-00 | .O-RING | 1 | |
| 13 | 6E5-43872-00-00 | RING, BACK UP | 1 | |
| 14 | 6E5-43814-02-00 | PISTON, FREE | 1 | |
| 15 | 6E5-43862-00-00 | O-RING | 1 | |
| 16 | 64E-43820-03-00 | TRIM PISTON SUB ASSY | 2 | |
| 17 | 64E-43821-03-00 | .SCREW, TRIM CYLINDER END | 1 | |
| 18 | 64E-43822-00-00 | .SEAL, TRIM DUST | 1 | |
| 19 | 64E-4384J-00-00 | .SEAL, TRIM DOWN | 1 | |
| 20 | 6G5-43864-00-00 | .O-RING | 1 | |
| 21 | 6E5-43864-00-00 | O-RING | 2 | |
| 22 | 6E5-43874-01-00 | RING, BACK UP | 2 | |
| 23 | 64E-43828-01-00 | BODY, RESERVOIR | 1 | |
| 24 | 64E-43829-01-00 | PLUG, RESERVOIR | 1 | |
| 25 | 64E-43897-00-00 | O-RING | 1 | |
| 26 | 64E-4388E-01-00 | BOLT ,SCREW (L:14MM) | 3 | |
| 27 | 64E-43869-00-00 | O-RING | 6 | |
| 28 | 64E-4381G-00-00 | PIN | 1 | |
| 29 | 6E5-43858-00-00 | BALL | 1 | |
| 30 | 64E-4382G-00-00 | VALVE, SEAT | 1 | |
| 31 | 64E-4384N-00-00 | PLUG, ORIFICE | 1 | |

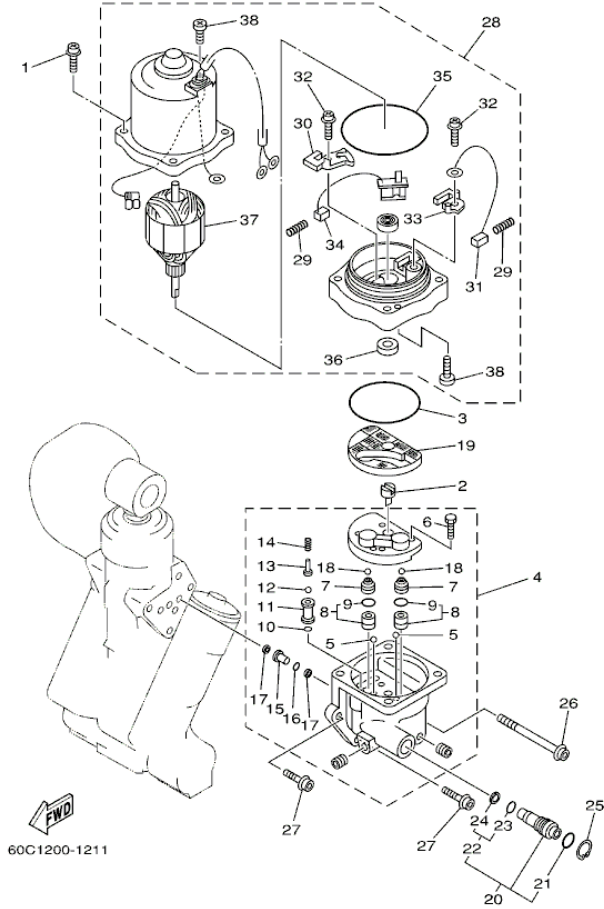
Part Notes

F200LB 1212 / POWER TRIM TILT ASSY 1

| PART NUMBER | | NOTE TEXT |
|-----------------|---|---|
| 64E-43822-00-00 |  | OEM: This part number is among the Top 100 Most Popular Marine Maintenance Parts as of August 2013. |
| 64E-4384J-00-00 |  | OEM: This part number is among the Top 100 Most Popular Marine Maintenance Parts as of August 2013. |
| 6G5-43864-00-00 |  | OEM: This part number is among the Top 100 Most Popular Marine Maintenance Parts as of August 2013. |
| 64E-43869-00-00 |  | OEM: This part number is among the Top 100 Most Popular Marine Maintenance Parts as of August 2013. |

©2013 Yamaha Motor Corporation, U.S.A. All rights reserved.

F200LB 1212 / POWER TRIM TILT ASSY 2



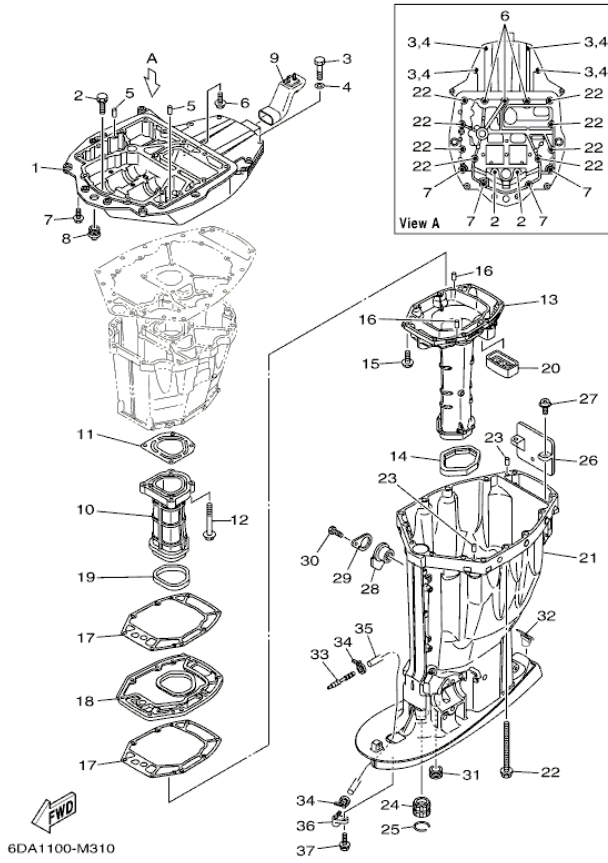
©2013 Yamaha Motor Corporation, U.S.A. All rights reserved.

Part List

F200LB 1212 / POWER TRIM TILT ASSY 2

| REF - NO | PART NUMBER | PART NAME | QUANTITY | REMARKS |
|----------------|-----------------|-------------------------|----------|---------|
| 1 | 64E-4388E-11-00 | BOLT ,SCREW (L:34.7MM) | 4 | |
| 2 | 64E-43831-00-00 | CONNECTOR, SHAFT | 1 | |
| 3 | 64E-43868-00-00 | O-RING | 1 | |
| 4 | 64E-43830-01-00 | GEAR PUMP ASSY | 1 | |
| 5 | 72X-43858-00-00 | .BALL | 2 | |
| 6 | 64E-43843-00-00 | .SCREW, VALVE LOCK | 4 | |
| 7 | 6AW-43841-00-00 | .PISTON, SHUTTLE | 2 | |
| 8 | 64E-43802-00-00 | .VALVE SUB ASSY | 2 | |
| 9 | 6E5-43896-00-00 | ..O-RING | 1 | |
| 10 | 6G5-43863-00-00 | .O-RING | 1 | |
| 11 | 64E-43851-00-00 | .SEAT, RELIEF VALVE | 1 | |
| 12 | 64E-43858-00-00 | .BALL | 1 | |
| 13 | 64E-43859-00-00 | .PIN, VALVE SUPPORT | 1 | |
| 14 | 64E-43855-00-00 | .SPRING, UP RELIEF | 1 | |
| 15 | 64E-43850-00-00 | .VALVE SUB ASSY | 1 | |
| 16 | 64E-43865-00-00 | .O-RING | 1 | |
| 17 | 64E-43816-00-00 | .FILTER 1 | 2 | |
| 18 | 6AW-43858-00-00 | .BALL | 2 | |
| 19 | 64E-43817-11-00 | FILTER 2 | 1 | |
| 20 | 64E-43860-01-00 | MANUAL VALVE SUB-ASSY | 1 | |
| 21 | 72X-85075-L0-00 | .O-RING | 1 | |
| 22 | 64E-43827-00-00 | .RING SET | 1 | |
| 23 | 64E-4387A-00-00 | ..O-RING | 1 | |
| 24 | 64E-43873-00-00 | ..RING, BACK UP | 1 | |
| 25 | 6AW-43875-00-00 | RING, SNAP | 1 | |
| 26 | 64E-43879-11-00 | SCREW, WITH WASHER | 1 | |
| 27 | 64E-43879-01-00 | SCREW, WITH WASHER | 2 | |
| 28 | 67H-43880-04-00 | MOTOR ASSY | 1 | |
| 29 | 6H1-4386K-10-00 | .SPRING, BRUSH | 2 | |
| 30 | 64E-4380J-00-00 | .HOLDER, BRUSH | 1 | |
| 31 | 64E-43891-00-00 | .BRUSH 1 | 1 | |
| 32 | 97607-04310-00 | .SCREW,WITH WASHER | 2 | |
| 33 | 64E-4380F-00-00 | .HOLDER, BRUSH 2 | 1 | |
| 34 | 64E-43892-00-00 | .BREAKER COMP (BRUSH 2) | 1 | |
| 35 | 6G5-43865-01-00 | .O-RING | 1 | |
| 36 | 93102-08M43-00 | .OIL SEAL | 1 | |
| 37 | 64E-43805-01-00 | .ARMATURE ASSY | 1 | |
| 38 | 64E-43843-10-00 | .SCREW, VALVE LOCK | 3 | |

F200LB 1212 / UPPER CASING



©2013 Yamaha Motor Corporation, U.S.A. All rights reserved.



Part List

F200LB 1212 / UPPER CASING

| REF - NO | PART NUMBER | PART NAME | QUANTITY | REMARKS |
|----------------|-----------------|--------------------------------|----------|----------|
| 1 | 63P-41137-03-CA | GUIDE, EXHAUST | 1 | |
| 2 | 90119-08102-00 | BOLT, WITH WASHER | 2 | |
| 3 | 97075-10045-00 | BOLT | 4 | |
| 4 | 92995-10600-00 | WASHER | 4 | |
| 5 | 93608-16M16-00 | PIN, DOWEL | 2 | |
| 6 | 90119-08M58-00 | BOLT, WITH WASHER | 3 | |
| 7 | 97575-10535-00 | BOLT, WITH WASHER | 4 | |
| 8 | 6E5-42724-00-00 | GROMMET | 1 | |
| 9 | 6DA-42769-00-00 | SEAL, RUBBER | 1 | |
| 10 | 63P-41131-01-9S | MANIFOLD, EXT. 1 | 1 | |
| 11 | 63P-41133-A0-00 | .GASKET, EXHAUST MANIFOLD 1 | 1 | |
| 12 | 97575-08560-00 | BOLT, WITH WASHER | 4 | |
| 13 | 6DA-14711-10-9S | MUFFLER 1 | 1 | L(20.3") |
| 14 | 69J-45123-00-00 | .GASKET, MUFFLER | 1 | |
| 15 | 97575-08535-00 | BOLT, WITH WASHER | 8 | |
| 16 | 93606-19M23-00 | PIN, DOWEL | 2 | |
| 17 | 63P-41134-A1-00 | .GASKET, EXHAUST MANIFOLD | 2 | |
| 18 | 63P-45181-01-9S | PLATE | 1 | |
| 19 | 63P-41138-00-00 | .SEAL, EXT. 1 | 1 | |
| 20 | 69J-45127-00-00 | .SEAL | 1 | |
| 21 | 6DA-45111-10-8D | CASING, UPPER | 1 | L(20.3") |
| 22 | 90119-10007-00 | BOLT, WITH WASHER | 8 | |
| 23 | 93608-16M16-00 | PIN, DOWEL | 2 | |
| 24 | 6E5-45318-00-00 | BUSHING, DRIVE SHAFT | 1 | |
| 25 | 93420-36M01-00 | CIRCLIP | 1 | |
| 26 | 69J-14624-01-00 | COVER, EXHAUST | 1 | |
| 27 | 97980-06216-00 | SCREW, WITH WASHER | 2 | |
| 31 | 6E5-44366-00-00 | DAMPER, WATER SEAL 2 | 1 | |
| 32 | 6C5-45155-00-00 | CAP | 1 | L(20.3") |
| 33 | 6E5-83558-00-00 | END, NIPPLE | 1 | |
| 34 | 90465-11M10-00 | CLAMP | 2 | |
| 35 | 90445-07010-00 | HOSE (L1330) | 1 | L(20.3") |
| 36 | 63P-45379-00-00 | NIPPLE, HOSE | 1 | |
| 37 | 90119-06M18-00 | BOLT, WITH WASHER | 1 | |

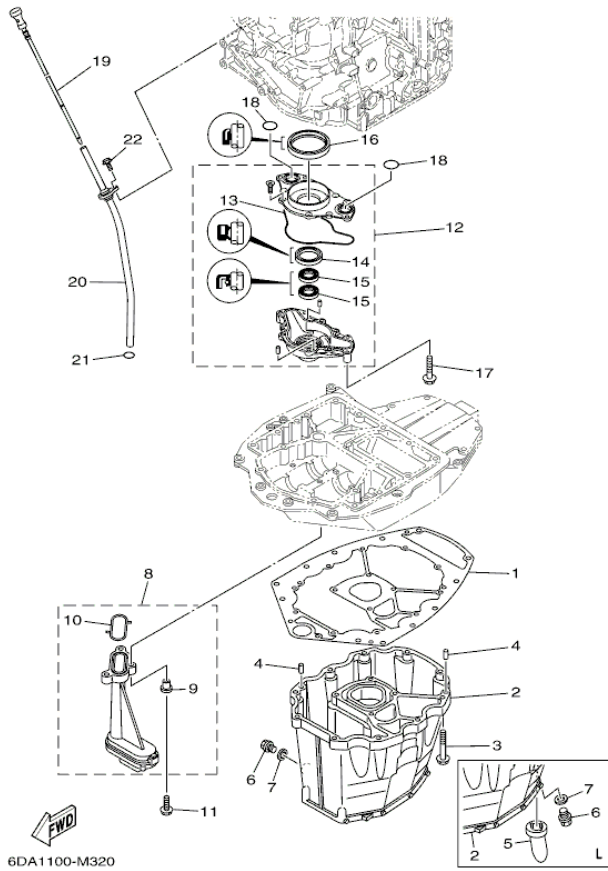
Part Notes

F200LB 1212 / UPPER CASING

| PART NUMBER | NOTE TEXT |
|-----------------|--|
| 69J-45123-00-00 |  OEM: If you are replacing damaged exhaust components on a 3.1L V6 Fourstroke, two kits have been developed to make choosing and ordering the correct parts easier. Ordering either MAR-EXHKT-03-00 (EXH KIT F200-225 for 2002-2003 models) or MAR-EXHKT-04-00 (EXH KIT F200-250 2004 models and up) will get you everything needed to rebuild the entire exhaust system. |
| 69J-45127-00-00 |  OEM: If you are replacing damaged exhaust components on a 3.1L V6 Fourstroke, two kits have been developed to make choosing and ordering the correct parts easier. Ordering either MAR-EXHKT-03-00 (EXH KIT F200-225 for 2002-2003 models) or MAR-EXHKT-04-00 (EXH KIT F200-250 2004 models and up) will get you everything needed to rebuild the entire exhaust system. |

©2013 Yamaha Motor Corporation, U.S.A. All rights reserved.

F200LB 1212 / OIL PAN



©2013 Yamaha Motor Corporation, U.S.A. All rights reserved.


Part List

F200LB 1212 / OIL PAN

| REF - NO | PART NUMBER | PART NAME | QUANTITY | REMARKS |
|----------|-----------------|----------------------|----------|----------|
| 1 | 63P-15312-01-00 | .GASKET, OIL PAN | 1 | |
| 2 | 63P-15311-02-CA | OIL PAN | 1 | L(20.3") |
| 3 | 97575-08535-00 | BOLT, WITH WASHER | 10 | |
| 4 | 93608-16M16-00 | PIN, DOWEL | 2 | |
| 5 | 63P-15316-00-00 | DAMPER 1 | 1 | L(20.3") |
| 6 | 90340-14M06-00 | PLUG, STRAIGHT SCREW | 1 | |
| 7 | 90430-14M09-00 | .GASKET | 1 | |
| 8 | 63P-13411-00-00 | STRAINER, OIL | 1 | |
| 9 | 90387-06263-00 | .COLLAR | 3 | |
| 10 | 63P-13415-00-00 | .SEAL, OIL STRAINER | 1 | |
| 11 | 95812-06025-00 | BOLT, FLANGE | 3 | |
| 12 | 6DA-13300-00-00 | OIL PUMP ASSY | 1 | |
| 13 | 6DA-13329-00-00 | .GASKET, PUMP COVER | 1 | |
| 14 | 6AW-13119-00-00 | .OIL SEAL | 1 | |
| 15 | 69J-13631-00-00 | .OIL SEAL | 2 | |
| 16 | 6CB-11355-00-00 | .SEAL, CYLINDER 1 | 1 | |
| 17 | 97575-06540-00 | BOLT, WITH WASHER | 4 | |
| 18 | 93210-25552-00 | O-RING | 2 | |
| 19 | 6DA-15362-00-00 | PLUG, OIL LEVEL | 1 | |
| 20 | 6DA-15377-00-00 | GUIDE, INLET | 1 | |
| 21 | 93210-19MJ3-00 | .O-RING | 1 | |
| 22 | 95895-06016-00 | BOLT, FLANGE | 1 | |

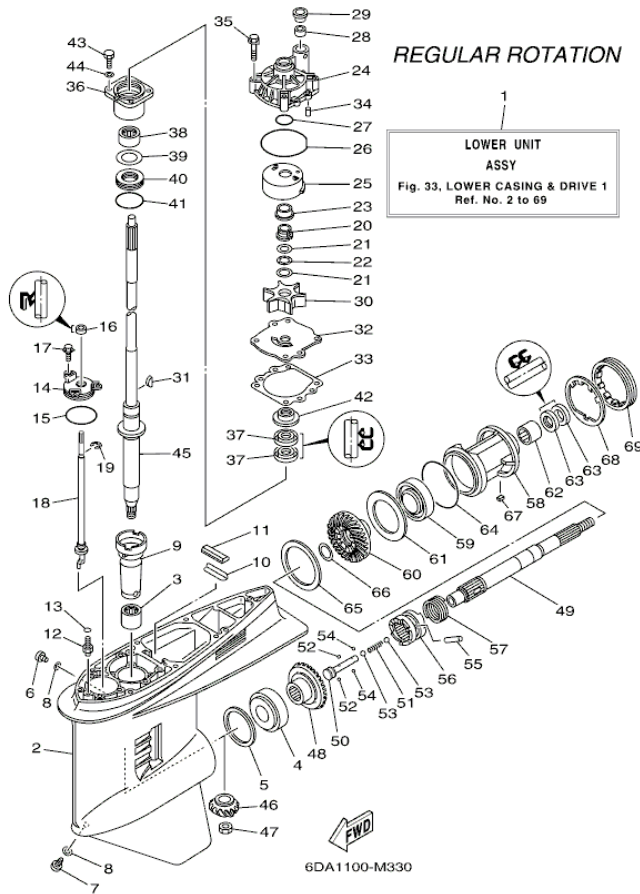
Part Notes

F200LB 1212 / OIL PAN

| PART NUMBER | NOTE TEXT |
|--|---|
| 90430-14M09-00  | OEM: This part number is among the Top 100 Most Popular Marine Maintenance Parts as of August 2013. |

©2013 Yamaha Motor Corporation, U.S.A. All rights reserved.

F200LB 1212 / LOWER CASING DRIVE 1



©2013 Yamaha Motor Corporation, U.S.A. All rights reserved.

Part List











F200LB 1212 / LOWER CASING DRIVE 1

| REF - NO | PART NUMBER | PART NAME | QUANTITY | REMARKS |
|----------------|-----------------|------------------------------|----------|-------------|
| 1 | 6DA-45300-00-8D | LOWER UNIT ASSY | 1 | L(20.3"),RH |
| 2 | 6J9-45301-07-8D | CASING, LOWER | 1 | |
| 3 | 93311-928U5-00 | BEARING | 1 | |
| 4 | 93332-000V3-00 | BEARING | 1 | |
| 5 | 6G5-45567-01-00 | SHIM (T:0.10MM) | 1 | UR |
| 5 | 6G5-45567-10-00 | SHIM (T:0.12MM) | 1 | UR |
| 5 | 6G5-45567-20-00 | SHIM (T:0.15MM) | 1 | UR |
| 5 | 6G5-45567-60-00 | SHIM (T:0.50MM) | 1 | UR |
| 5 | 6G5-45567-40-00 | SHIM (T:0.30MM) | 1 | UR |
| 5 | 6G5-45567-50-00 | SHIM (T:0.40MM) | 1 | UR |
| 5 | 6G5-45567-30-00 | SHIM (T:0.18MM) | 1 | UR |
| 6 | 90340-08002-00 | PLUG, STRAIGHT SCREW | 1 | |
| 7 | 688-45341-10-00 | PLUG, DRAIN | 1 | |
| 8 | 90430-08020-00 | .GASKET | 2 | |
| 9 | 6G5-45536-01-00 | SLEEVE, DRIVE SHAFT | 1 | |
| 10 | 663-45376-00-00 | GUIDE, SEAL DAMPER | 1 | |
| 11 | 688-45375-00-00 | DAMPER, SEAL | 1 | |
| 12 | 63P-45378-00-00 | NIPPLE, HOSE | 1 | |
| 13 | 93210-07003-00 | O-RING | 1 | |
| 14 | 6E5-45321-00-00 | PLATE | 1 | |
| 15 | 93210-58144-00 | .O-RING | 1 | |
| 16 | 93106-09014-00 | .OIL SEAL | 1 | |
| 17 | 90119-06M10-00 | BOLT, WITH WASHER | 3 | |
| 18 | 63P-44150-01-00 | SHIFT CAM ASSY | 1 | L(20.3"),RH |
| 19 | 99001-08600-00 | CIRCLIP | 1 | |
| 20 | 61A-45538-00-00 | SPACER 1 | 1 | |
| 21 | 90201-22M01-00 | WASHER, PLATE | 2 | |
| 22 | 90206-22M19-00 | WASHER, WAVE | 1 | |
| 23 | 61A-45527-00-00 | COLLAR, DRIVE SHAFT | 1 | |
| 24 | 61A-44311-01-00 | HOUSING, WATER PUMP | 1 | |
| 25 | 61A-44322-02-00 | .INSERT, CARTRIDGE | 1 | |
| 26 | 93210-86M38-00 | .O-RING | 1 | |
| 27 | 93210-37160-00 | .O-RING | 1 | |
| 28 | 6E5-44365-00-00 | DAMPER, WATER SEAL 1 | 1 | |
| 29 | 6E5-44312-00-00 | COVER, WATER PUMP HOUSING | 1 | |
| 30 | 6E5-44352-01-00 | .IMPELLER | 1 | |
| 31 | 90280-04M05-00 | .KEY, WOODRUFF | 1 | |
| 32 | 6G5-44323-01-00 | .OUTER PLATE, CARTRIDGE | 1 | |
| 33 | 6E5-44315-A0-00 | .GASKET, WATER PUMP | 1 | |
| 34 | 93606-12019-00 | .PIN, DOWEL | 2 | |
| 35 | 90119-08M14-00 | .BOLT, WITH WASHER | 4 | |
| 36 | 6E5-45331-00-9S | HOUSING, BEARING | 1 | |
| 37 | 93101-28M16-00 | .OIL SEAL | 2 | |
| 38 | 93317-330U2-00 | BEARING | 1 | |
| 39 | 6E5-45587-01-00 | SHIM (T:0.10MM) | 1 | UR |
| 39 | 6E5-45587-10-00 | SHIM (T:0.12MM) | 1 | UR |
| 39 | 6E5-45587-20-00 | SHIM (T:0.15MM) | 1 | UR |
| 39 | 6E5-45587-60-00 | SHIM (T:0.50MM) | 1 | UR |
| 39 | 6E5-45587-40-00 | SHIM (T:0.30MM) | 1 | UR |
| 39 | 6E5-45587-50-00 | SHIM (T:0.40MM) | 1 | UR |
| 39 | 6E5-45587-30-00 | SHIM (T:0.18MM) | 1 | UR |
| 40 | 93341-930V2-00 | BEARING | 1 | |
| 41 | 93210-55M14-00 | .O-RING | 1 | |
| 42 | 6E5-45344-00-00 | COVER, OIL SEAL | 1 | |
| 43 | 97095-08025-00 | BOLT | 4 | |
| 44 | 92995-08600-00 | WASHER | 4 | |
| 45 | 63P-45501-01-00 | DRIVE SHAFT COMP. | 1 | L(20.3") |
| 46 | 6DA-45551-00-00 | PINION (14T) | 1 | |
| 47 | 90170-16M01-00 | NUT | 1 | |
| 48 | 6DA-45560-00-00 | GEAR 1 (26T) | 1 | |
| 49 | 6J9-45611-01-00 | SHAFT, PROPELLER | 1 | |
| 50 | 6E5-45634-02-00 | SLIDE, SHIFT | 1 | |
| 51 | 90501-16M37-00 | SPRING, COMPRESSION | 1 | |
| 52 | 93507-32009-00 | .BALL | 2 | |
| 53 | 93511-32017-00 | BALL | 2 | |
| 54 | 93503-16003-00 | BALL | 2 | |

| | | | | |
|----|-----------------|------------------|---|----|
| 55 | 90250-08M07-00 | PIN, STRAIGHT | 1 | |
| 56 | 6DA-45631-00-00 | CLUTCH, DOG | 1 | |
| 57 | 6E5-45633-01-00 | RING, CROSS PIN | 1 | |
| 58 | 6J9-45332-00-CA | HOUSING, BEARING | 1 | |
| 59 | 93306-209U0-00 | BEARING | 1 | |
| 60 | 6DA-45571-00-00 | GEAR 2 (26T) | 1 | |
| 61 | 6G5-45576-10-00 | WASHER, THRUST 2 | 1 | |
| 62 | 93315-43061-00 | BEARING | 1 | |
| 63 | 93101-30M17-00 | .OIL SEAL | 2 | |
| 64 | 93210-97M55-00 | .O-RING | 1 | |
| 65 | 6G5-45577-02-00 | SHIM (T:0.10MM) | 1 | UR |
| 65 | 6G5-45577-10-00 | SHIM (T:0.12MM) | 1 | UR |
| 65 | 6G5-45577-20-00 | SHIM (T:0.15MM) | 1 | UR |
| 65 | 6G5-45577-60-00 | SHIM (T:0.50MM) | 1 | UR |
| 65 | 6G5-45577-40-00 | SHIM (T:0.30MM) | 1 | UR |
| 65 | 6G5-45577-50-00 | SHIM (T:0.40MM) | 1 | UR |
| 65 | 6G5-45577-30-00 | SHIM (T:0.18MM) | 1 | UR |
| 66 | 90201-30M92-00 | WASHER, PLATE | 1 | |
| 67 | 90282-04M00-00 | KEY, STRAIGHT | 1 | |
| 68 | 6G5-45383-01-00 | WASHER, CLAW | 1 | |
| 69 | 6G5-45384-02-00 | NUT | 1 | |

Part Notes

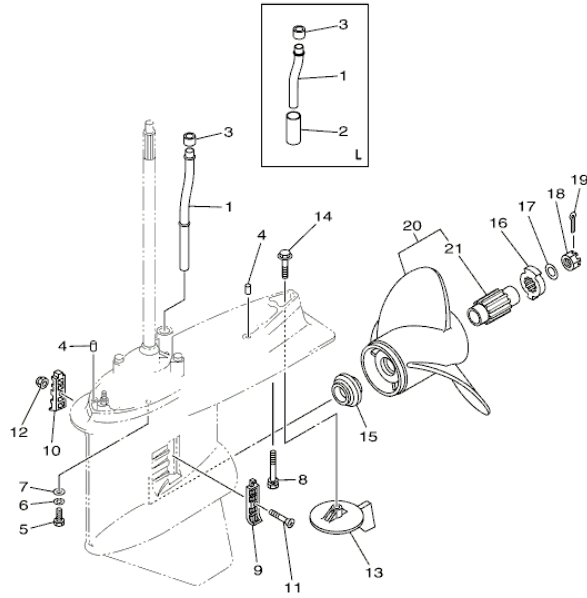
F200LB 1212 / LOWER CASING DRIVE 1

| PART NUMBER | | NOTE TEXT |
|-----------------|---|---|
| 90430-08020-00 |  | OEM: This part number is among the Top 100 Most Popular Marine Maintenance Parts as of August 2013. |
| 93106-09014-00 |  | OEM: This part number is among the Top 100 Most Popular Marine Maintenance Parts as of August 2013. |
| 61A-45538-00-00 |  | OEM: This part number is among the Top 100 Most Popular Marine Maintenance Parts as of August 2013. |
| 90201-22M01-00 |  | OEM: This part number is among the Top 100 Most Popular Marine Maintenance Parts as of August 2013. |
| 61A-45527-00-00 |  | OEM: This part number is among the Top 100 Most Popular Marine Maintenance Parts as of August 2013. |
| 61A-44311-01-00 |  | OEM: This part number is among the Top 100 Most Popular Marine Maintenance Parts as of August 2013. |
| 93210-86M38-00 |  | OEM: This part number is among the Top 100 Most Popular Marine Maintenance Parts as of August 2013. |
| 6E5-44352-01-00 |  | OEM: This part number is among the Top 100 Most Popular Marine Maintenance Parts as of August 2013. |
| 93101-28M16-00 |  | OEM: This part number is among the Top 100 Most Popular Marine Maintenance Parts as of August 2013. |
| 93101-30M17-00 |  | OEM: This part number is among the Top 100 Most Popular Marine Maintenance Parts as of August 2013. |

©2013 Yamaha Motor Corporation, U.S.A. All rights reserved.

F200LB 1212 / LOWER CASING DRIVE 2

REGULAR ROTATION



6DA1100-M340

©2013 Yamaha Motor Corporation, U.S.A. All rights reserved.


Part List

F200LB 1212 / LOWER CASING DRIVE 2

| REF - NO | PART NUMBER | PART NAME | QUANTITY | REMARKS |
|----------|-----------------|-----------------------------|----------|----------|
| 1 | 6DA-44361-10-00 | TUBE, WATER 1 | 1 | L(20.3") |
| 2 | 90445-23002-00 | HOSE (L59) | 1 | L(20.3") |
| 3 | 6E5-44365-00-00 | DAMPER, WATER SEAL 1 | 1 | |
| 4 | 93608-16M16-00 | PIN, DOWEL | 2 | |
| 5 | 97095-10045-00 | BOLT | 6 | |
| 6 | 92995-10100-00 | WASHER | 6 | |
| 7 | 92995-10600-00 | WASHER | 6 | |
| 8 | 90119-10MA2-00 | BOLT, WITH WASHER | 1 | |
| 9 | 6J9-45214-00-00 | COVER, WATER INLET 1 | 1 | |
| 10 | 6J9-45215-00-00 | COVER, WATER INLET 2 | 1 | |
| 11 | 90152-05M08-00 | SCREW, COUNTERSUNK | 1 | |
| 12 | 90185-05002-00 | NUT, NYLON | 1 | |
| 13 | 6J9-45371-01-00 | TAB-TRIM | 1 | |
| 14 | 90105-10M00-00 | BOLT, FLANGE | 1 | |
| 15 | 63P-45987-00-00 | SPACER 1 | 1 | |
| 16 | 6CE-45997-00-00 | SPACER 2 | 1 | |
| 17 | 92990-18200-00 | WASHER | 1 | |
| 18 | 90171-18M04-00 | NUT, CASTLE | 1 | |
| 19 | 91490-40030-00 | PIN. COTTER | 1 | |
| 20 | 68F-45970-10-00 | PROPELLER (3X14-1/2"X15"-M) | 1 | UR |
| 20 | 68F-45972-10-00 | PROPELLER (3X14-1/4"X17"-M) | 1 | UR |
| 20 | 68F-45978-10-00 | PROPELLER (3X14-1/4"X18"-M) | 1 | UR |
| 20 | 68F-45976-10-00 | PROPELLER (3X13-3/4"X21"-M) | 1 | UR |
| 20 | 68F-45974-10-00 | PROPELLER (3X13-3/4"X19"-M) | 1 | UR |
| 21 | 6CE-45C81-00-00 | .DAMPER RUBBER, PROPELLER 1 | 1 | |

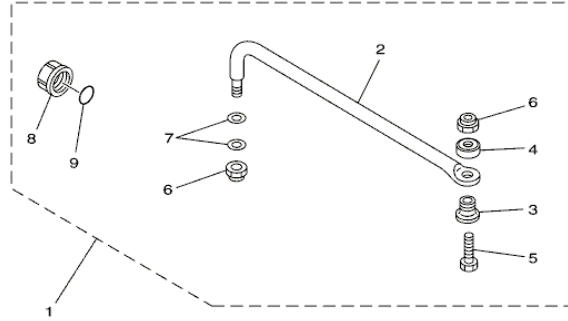
Part Notes

F200LB 1212 / LOWER CASING DRIVE 2

| PART NUMBER | | NOTE TEXT |
|-----------------|---|---|
| 6J9-45371-01-00 |  | OEM: This part number is among the Top 100 Most Popular Marine Maintenance Parts as of August 2013. |
| 90105-10M00-00 |  | OEM: This part number is among the Top 100 Most Popular Marine Maintenance Parts as of August 2013. |
| 91490-40030-00 |  | OEM: This part number is among the Top 100 Most Popular Marine Maintenance Parts as of August 2013. |

©2013 Yamaha Motor Corporation, U.S.A. All rights reserved.

F200LB 1212 / STEERING GUIDE



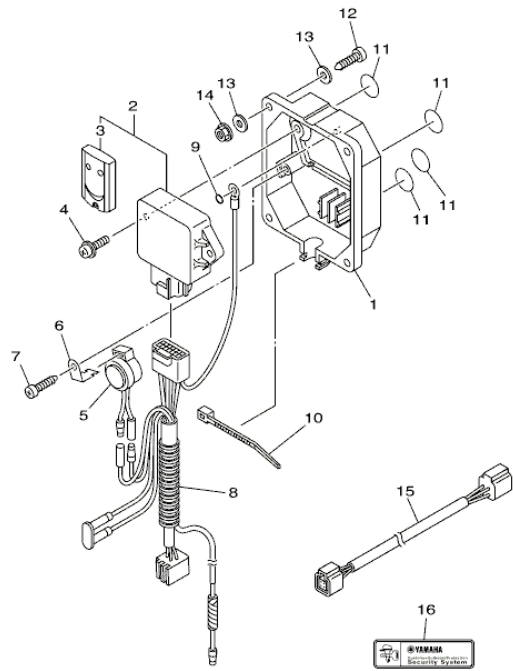
67H0100-9290

Part List

F200LB 1212 / STEERING GUIDE

| REF - NO | PART NUMBER | PART NAME | QUANTITY | REMARKS |
|----------------|-----------------|----------------------------------|----------|---------|
| 1 | 6E5-61350-02-00 | STEERING GUIDE ATTACHMENT KIT | 1 | AP |
| 2 | 6E5-61351-01-00 | .ROD, STEERING LINK | 1 | |
| 3 | 90387-10M61-00 | .COLLAR | 1 | |
| 4 | 90560-12M01-00 | .SPACER | 1 | |
| 5 | 6E5-61355-00-00 | .BOLT | 1 | |
| 6 | 90185-09M01-00 | .NUT, SELF-LOCKING | 2 | |
| 7 | 90201-10M20-00 | .WASHER, PLATE | 2 | |
| 8 | 6E5-43145-01-00 | .CAP, CLAMP BRACKET | 1 | |
| 9 | 93210-16275-00 | .O-RING | 1 | |

F200LB 1212 / OPTIONAL PARTS 1



6CJ1100-K370

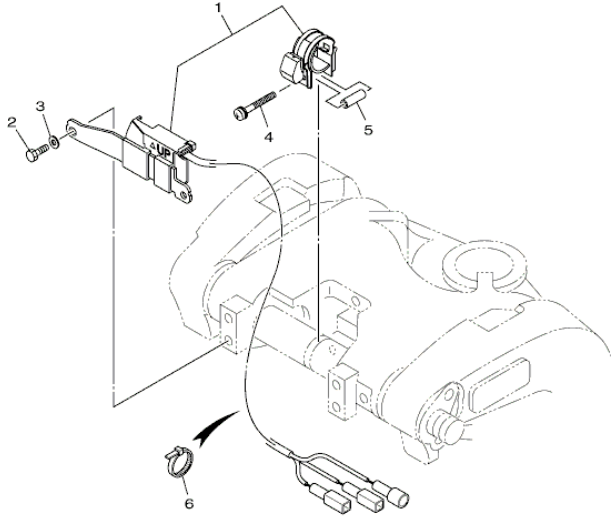
©2013 Yamaha Motor Corporation, U.S.A. All rights reserved.

Part List

F200LB 1212 / OPTIONAL PARTS 1

| REF - NO | PART NUMBER | PART NAME | QUANTITY | REMARKS |
|----------------|-----------------|-----------------------------|----------|---------|
| 1 | 6Y8-86267-00-00 | CASE COMPLETE 1 | 1 | |
| 2 | 6Y8-86260-12-00 | REMOTE CONTROL UNIT ASSY | 1 | |
| 3 | 6AA-86261-22-00 | .TRANSMITTER COMP | 2 | |
| 4 | 97980-06216-00 | SCREW, WITH WASHER | 2 | |
| 5 | 6X4-83383-00-00 | BUZZER | 1 | |
| 6 | 6X4-83386-00-00 | STAY, BUZZER | 1 | |
| 7 | 97780-60620-00 | SCREW, TAPPING | 1 | |
| 8 | 6Y8-82509-10-00 | WIRE, SUB LEAD | 1 | |
| 9 | 93210-04279-00 | O-RING | 1 | |
| 10 | 90465-11M10-00 | CLAMP | 1 | |
| 11 | 6Y8-8454G-00-00 | PATCH 1 | 4 | |
| 12 | 97880-06035-00 | SCREW, PAN HEAD | 4 | UR |
| 12 | 90167-06M00-00 | SCREW, TAPPING | 4 | UR |
| 13 | 90201-06M30-00 | WASHER, PLATE | 8 | |
| 14 | 95780-06300-00 | NUT, FLANGE | 4 | |
| 15 | 6Y8-82521-11-00 | 2FT PIGTAIL BUS | 1 | |
| 16 | 6Y8-48277-00-00 | STICKER 1 | 4 | |

F200LB 1212 / OPTIONAL PARTS 2



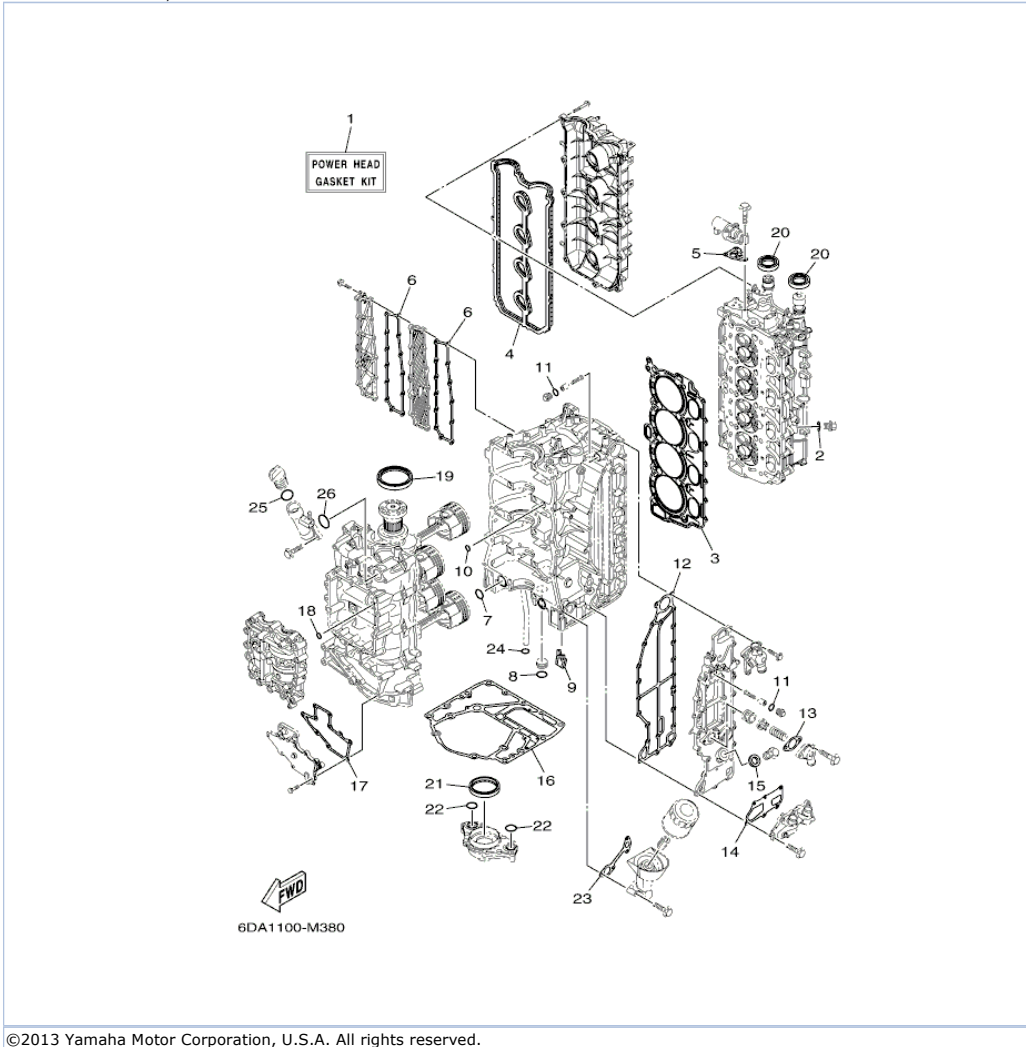
©2013 Yamaha Motor Corporation, U.S.A. All rights reserved.

Part List

F200LB 1212 / OPTIONAL PARTS 2

| REF - NO | PART NUMBER | PART NAME | QUANTITY | REMARKS |
|----------------|-----------------|------------------------|----------|---------|
| 1 | 63P-825E0-01-00 | TILT LIMIT SWITCH ASSY | 1 | |
| 2 | 97095-06016-00 | BOLT | 2 | |
| 3 | 92995-06600-00 | WASHER | 2 | |
| 4 | 90159-05059-00 | SCREW, WITH WASHER | 1 | |
| 5 | 90387-05004-00 | COLLAR | 1 | |
| 6 | 90465-11M10-00 | CLAMP | 5 | |

F200LB 1212 / REPAIR KIT 1

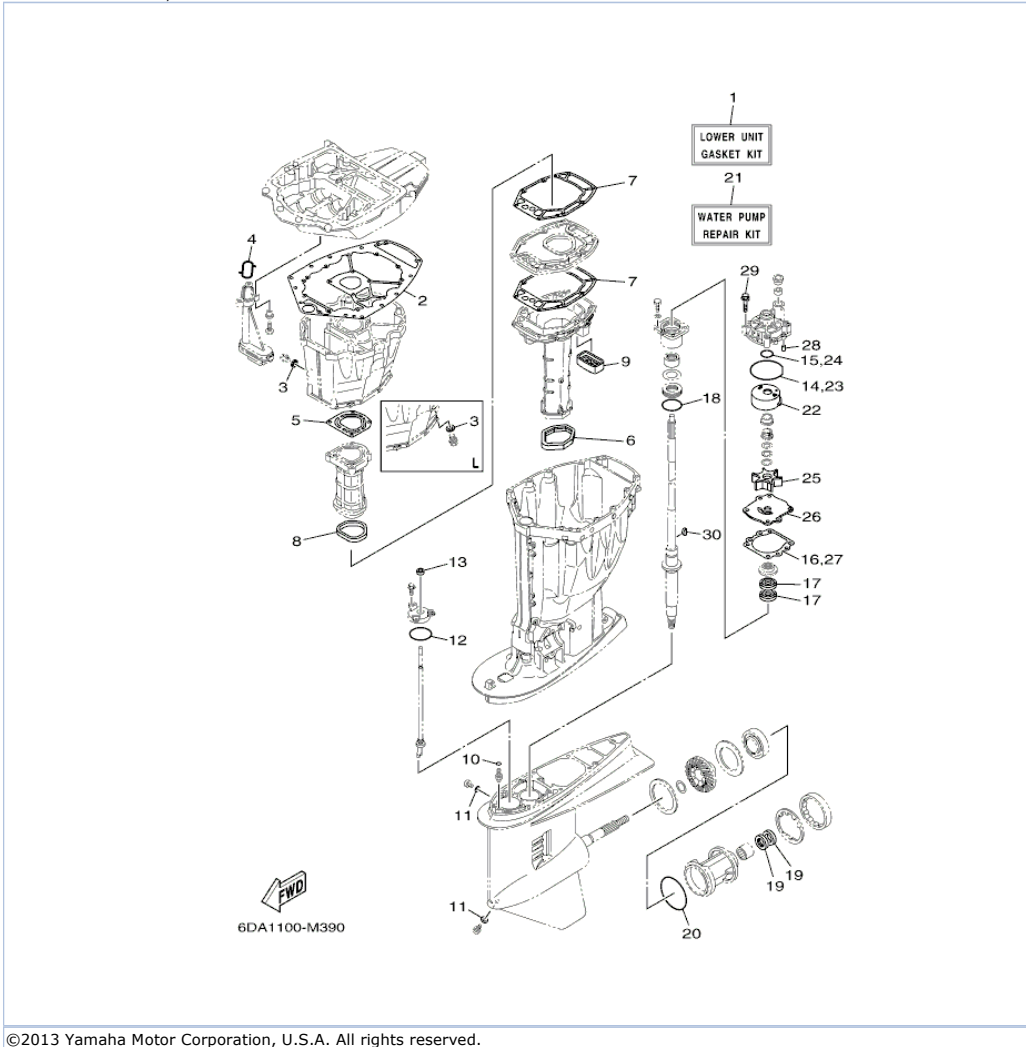


Part List

F200LB 1212 / REPAIR KIT 1

| REF - NO | PART NUMBER | PART NAME | QUANTITY | REMARKS |
|----------------|-----------------|---------------------------------|----------|---------|
| 1 | 6DA-W0001-00-00 | POWER HEAD GASKET KIT | 1 | |
| 2 | 90430-14115-00 | .GASKET | 1 | |
| 3 | 6DA-11181-00-00 | .GASKET, CYLINDER HEAD 1 | 1 | |
| 4 | 6DA-11193-00-00 | .GASKET, HEAD COVER 1 | 1 | |
| 5 | 6CB-1242F-00-00 | .GASKET, FILTER | 1 | |
| 6 | 6DA-15353-00-00 | .GASKET, DRAIN | 2 | |
| 7 | 93210-25552-00 | .O-RING | 2 | |
| 8 | 93210-25647-00 | .O-RING | 1 | |
| 9 | 6DA-14664-00-00 | .GROMMET, WATER SHUT | 1 | |
| 10 | 93210-12648-00 | .O-RING | 1 | |
| 11 | 93210-13M63-00 | .O-RING | 2 | |
| 12 | 6DA-41114-00-00 | .GASKET, EXHAUST OUTER COVER | 1 | |
| 13 | 60V-11382-A0-00 | .GASKET 2 | 1 | |
| 14 | 6DA-11381-00-00 | .GASKET 1 | 1 | |
| 15 | 90430-18130-00 | .GASKET | 1 | |
| 16 | 63P-11351-01-00 | .GASKET, CYLINDER | 1 | |
| 17 | 6DA-15451-00-00 | .GASKET, CRANKCASE COVER 1 | 1 | |
| 18 | 93210-08001-00 | .O-RING | 1 | |
| 19 | 93102-85008-00 | .OIL SEAL | 1 | |
| 20 | 93102-38008-00 | .OIL SEAL | 2 | |
| 21 | 6CB-11355-00-00 | .SEAL, CYLINDER 1 | 1 | |
| 22 | 93210-25552-00 | .O-RING | 2 | |
| 23 | 6DA-13475-00-00 | .GASKET | 1 | |
| 24 | 93210-19MJ3-00 | .O-RING | 1 | |
| 25 | 93210-24M79-00 | .O-RING | 1 | |
| 26 | 93210-357A3-00 | .O-RING | 1 | |

F200LB 1212 / REPAIR KIT 2














Part List

F200LB 1212 / REPAIR KIT 2

| REF - NO | PART NUMBER | PART NAME | QUANTITY | REMARKS |
|----------|-----------------|-----------------------------|----------|---------|
| 1 | 63P-W0001-21-00 | LOWER UNIT GASKET KIT | 1 | |
| 2 | 63P-15312-01-00 | .GASKET, OIL PAN | 1 | |
| 3 | 90430-14M09-00 | .GASKET | 1 | |
| 4 | 63P-13415-00-00 | .SEAL, OIL STRAINER | 1 | |
| 5 | 63P-41133-A0-00 | .GASKET, EXHAUST MANIFOLD 1 | 1 | |
| 6 | 69J-45123-00-00 | .GASKET, MUFFLER | 1 | |
| 7 | 63P-41134-A1-00 | .GASKET, EXHAUST MANIFOLD | 2 | |
| 8 | 63P-41138-00-00 | .SEAL, EXT 1 | 1 | |
| 9 | 69J-45127-00-00 | .SEAL | 1 | |
| 10 | 93210-07003-00 | .O-RING | 2 | |
| 11 | 90430-08020-00 | .GASKET | 2 | |
| 12 | 93210-58144-00 | .O-RING | 1 | |
| 13 | 93106-09014-00 | .OIL SEAL | 1 | |
| 14 | 93210-86M38-00 | .O-RING | 1 | |
| 15 | 93210-37160-00 | .O-RING | 1 | |
| 16 | 6E5-44315-A0-00 | .GASKET, WATER PUMP | 1 | |
| 17 | 93101-28M16-00 | .OIL SEAL | 2 | |
| 18 | 93210-55M14-00 | .O-RING | 1 | |
| 19 | 93101-30M17-00 | .OIL SEAL | 2 | |
| 20 | 93210-97M55-00 | .O-RING | 1 | |
| 21 | 61A-W0078-A3-00 | WATER PUMP REPAIR KIT | 1 | |
| 22 | 61A-44322-02-00 | .INSERT, CARTRIDGE | 1 | |
| 23 | 93210-86M38-00 | .O-RING | 1 | |
| 24 | 93210-37160-00 | .O-RING | 1 | |
| 25 | 6E5-44352-01-00 | .IMPELLER | 1 | |
| 26 | 6G5-44323-01-00 | .OUTER PLATE, CARTRIDGE | 1 | |
| 27 | 6E5-44315-A0-00 | .GASKET, WATER PUMP | 1 | |
| 28 | 93606-12019-00 | .PIN, DOWEL | 2 | |
| 29 | 90119-08M14-00 | .BOLT, WITH WASHER | 4 | |
| 30 | 90280-04M05-00 | .KEY, WOODRUFF | 1 | |

Part Notes

F200LB 1212 / REPAIR KIT 2

| PART NUMBER | NOTE TEXT |
|-----------------|--|
| 90430-14M09-00 |  OEM: This part number is among the Top 100 Most Popular Marine Maintenance Parts as of August 2013. |
| 69J-45123-00-00 |  OEM: If you are replacing damaged exhaust components on a 3.1L V6 Fourstroke, two kits have been developed to make choosing and ordering the correct parts easier. Ordering either MAR-EXHKT-03-00 (EXH KIT F200-225 for 2002-2003 models) or MAR-EXHKT-04-00 (EXH KIT F200-250 2004 models and up) will get you everything needed to rebuild the entire exhaust system. |
| 69J-45127-00-00 |  OEM: If you are replacing damaged exhaust components on a 3.1L V6 Fourstroke, two kits have been developed to make choosing and ordering the correct parts easier. Ordering either MAR-EXHKT-03-00 (EXH KIT F200-225 for 2002-2003 models) or MAR-EXHKT-04-00 (EXH KIT F200-250 2004 models and up) will get you everything needed to rebuild the entire exhaust system. |
| 90430-08020-00 |  OEM: This part number is among the Top 100 Most Popular Marine Maintenance Parts as of August 2013. |
| 93106-09014-00 |  OEM: This part number is among the Top 100 Most Popular Marine Maintenance Parts as of August 2013. |
| 93210-86M38-00 |  OEM: This part number is among the Top 100 Most Popular Marine Maintenance Parts as of August 2013. |
| 93101-28M16-00 |  OEM: This part number is among the Top 100 Most Popular Marine Maintenance Parts as of August 2013. |
| 93101-30M17-00 |  OEM: This part number is among the Top 100 Most Popular Marine Maintenance Parts as of August 2013. |
| 61A-W0078-A3-00 |  OEM: This part number is among the Top 100 Most Popular Marine Maintenance Parts as of August 2013. |
| 93210-86M38-00 |  OEM: This part number is among the Top 100 Most Popular Marine Maintenance Parts as of August 2013. |
| 6E5-44352-01-00 |  OEM: This part number is among the Top 100 Most Popular Marine Maintenance Parts as of August 2013. |

©2013 Yamaha Motor Corporation, U.S.A. All rights reserved.

©2013 Yamaha Motor Corporation, U.S.A. All rights reserved.