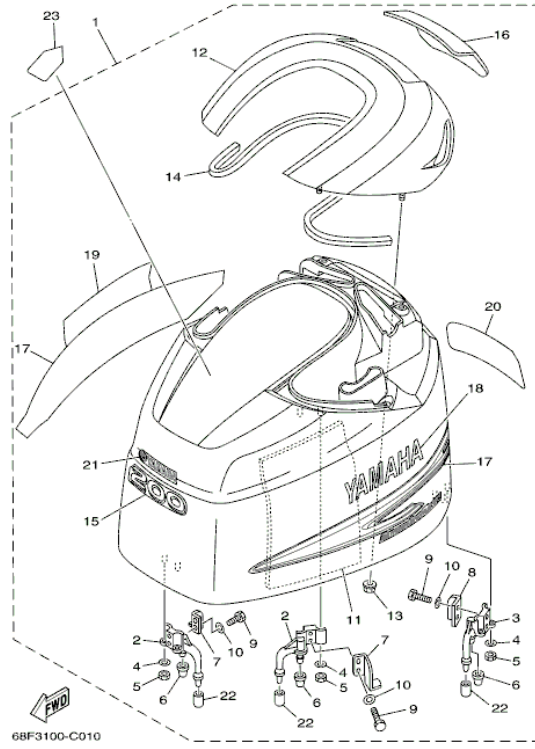


Z175TXR 0405 / TOP COWLING



©2013 Yamaha Motor Corporation, U.S.A. All rights reserved.

## Part List

Z175TXR 0405 / TOP COWLING

REF - NO	PART NUMBER	PART NAME	QUANTITY	REMARKS
1	68F-42610-51-8D	TOP COWLING ASSY	1	UR (L) Z200
1	68L-42610-51-8D	TOP COWLING ASSY	1	UR Z175
2	68F-42647-01-94	.HOLDER, CLAMP BAND	2	
3	68F-42648-01-94	.HOLDER, CLAMP BAND	1	
4	92990-06100-00	.WASHER, SPRING	6	
5	95380-06600-00	.NUT, HEXAGON	6	
6	68F-42663-00-00	.DAMPER	3	
7	60V-42651-01-00	.HOOK	2	
8	60V-42652-00-00	.HOOK	1	
9	97095-06016-00	.BOLT	6	
10	92995-06600-00	.WASHER	6	
11	68F-42619-00-00	.DAMPER, FORM	1	
12	68F-42613-00-8D	.MOLDING, AIR DUCT	1	
13	90179-06M24-00	.NUT	6	
14	68F-42662-00-00	.DAMPER	1	
15	68F-42677-50-00	..GRAPHIC, FRONT	1	UR (L) Z200
15	68L-42677-50-00	.GRAPHIC, FRONT	1	UR Z175
16	68F-42687-10-00	.EMBLEM, REAR	1	
17	68F-W0070-50-00	.GRAPHIC SET	1	
18	68F-42681-50-00	.MARK, COWLING	1	
19	68F-42682-50-00	.MARK, COWLING	1	
20	68F-42678-50-00	..GRAPHIC, REAR	1	UR (L) Z200
20	68L-42678-50-00	.GRAPHIC, REAR	1	UR Z175
21	68F-42677-60-00	.GRAPHIC, FRONT	1	
22	67F-13448-00-00	.CAP	3	
23	68F-13434-00-00	LABEL, CAUTION	1	




## Part List

Z175TXR 0405 / CYLINDER CRANKCASE 1

REF - NO	PART NUMBER	PART NAME	QUANTITY	REMARKS
1	68F-W0090-14-1S	CRANK CYLINDER ASSY	1	UR (L) Z200
1	68L-W0090-13-1S	CRANK CYLINDER ASSY	1	UR Z175
2	68F-15100-00-1S	CRANKCASE ASSY	1	UR (L) Z200
2	68L-15100-00-1S	CRANKCASE ASSY	1	UR Z175
3	6E5-11372-01-00	.NIPPLE, HOSE	1	
4	624-14485-00-00	.PIPE, JOINT	1	
5	68F-11372-01-00	.NIPPLE, HOSE	6	
6	650-11370-01-00	.CHECK VALVE ASSY	6	
7	68F-13552-00-00	.NOZZLE	6	
8	90384-06M07-00	.BUSH, BIMETAL FORMED	1	
9	90384-14M09-00	.BUSH, BIMETAL FORMED	1	
10	663-11518-01-00	.LOCK, BEARING	2	
11	646-11370-01-00	.CHECK VALVE ASSY	6	
12	90340-14M00-00	.PLUG, STRAIGHT SCREW	2	
13	90430-14115-00	.GASKET	2	
14	93608-12063-00	PIN, DOWEL	2	
15	90105-10M20-00	BOLT, FLANGE	8	
16	90119-08M94-00	BOLT, WITH WASHER	12	
17	90116-08M45-00	BOLT, STUD	2	
18	6E5-11325-00-00	ANODE	8	
19	98780-04015-00	SCREW, FLAT HEAD	8	
20	68F-11371-00-1S	COVER	1	
21	68F-11381-00-00	.GASKET 1	1	
22	90119-06MA2-00	BOLT, WITH WASHER	6	
23	6E5-42761-00-1S	STOPPER	1	
24	6E5-42762-00-1S	STOPPER	1	
25	68F-44533-00-00	DAMPER, UPPER MOUNT RUBBER	2	
26	90119-06MA2-00	BOLT, WITH WASHER	4	
27	90445-07M03-00	.HOSE (L34)	6	
28	90445-07M10-00	HOSE (L510)	1	
29	90468-07M02-00	CLIP	2	
30	90445-07MA6-00	HOSE (L90)	12	
31	90445-07MA4-00	HOSE (L280)	3	
32	90445-07M45-00	HOSE (L340)	1	
33	90445-07M27-00	HOSE (L310)	2	
34	90464-07M20-00	CLAMP	1	

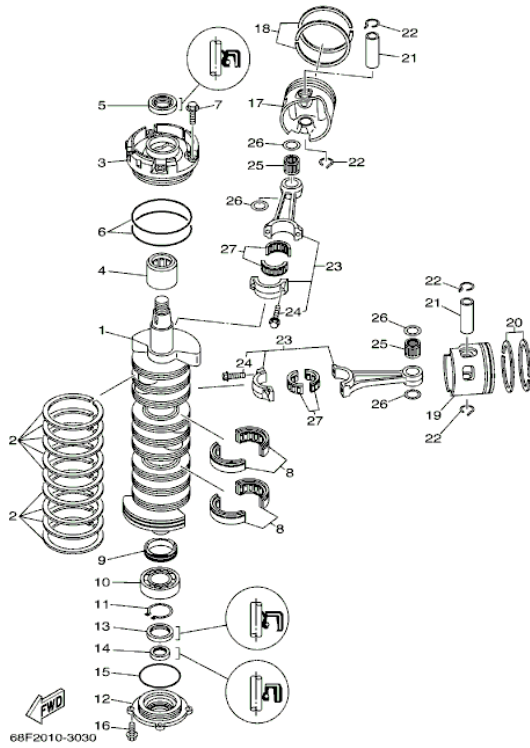
## Part Notes

Z175TXR 0405 / CYLINDER CRANKCASE 1

PART NUMBER	NOTE TEXT
68L-W0090-13-1S	 OEM: When using this part to replace CRANK-CYLINDER ASSY P/N 68L-W0090-10-1S or CRANK-CYLINDER ASSY P/N 68L-W0090-11-1S, you will also have to either transfer the original OUTER COVER, EXHAUST to the new CRANK-CYLINDER ASSY or replace the OUTER COVER, EXHAUST that comes installed on the new CRANK-CYLINDER ASSY with 1 - OUTER COVER, EXHAUST P/N 68F-41113-00-1S and 1 - GASKET P/N 68F-41114-00-00, as the newer models have different mounting bosses for the high pressure pump.

©2013 Yamaha Motor Corporation, U.S.A. All rights reserved.

Z175TXR 0405 / CRANKSHAFT PISTON



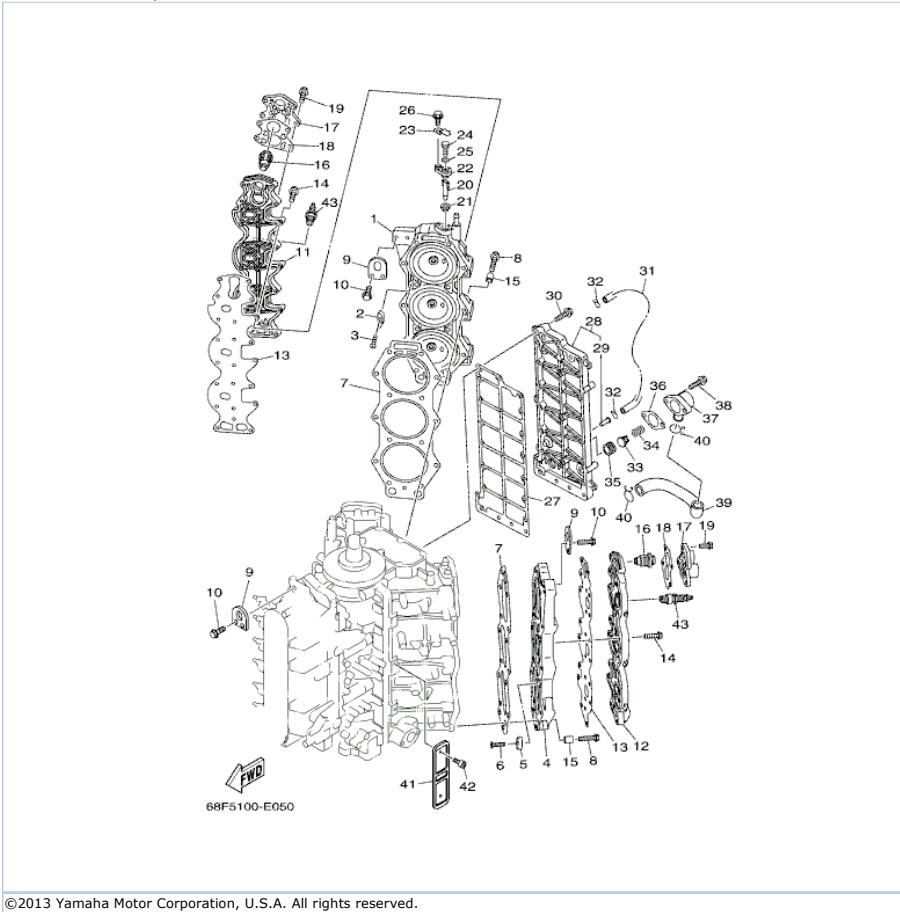
©2013 Yamaha Motor Corporation, U.S.A. All rights reserved.

## Part List

Z175TXR 0405 / CRANKSHAFT PISTON

REF - NO	PART NUMBER	PART NAME	QUANTITY	REMARKS
1	68F-11411-01-00	CRANKSHAFT	1	
2	6E5-11447-00-00	SEAL, CRANK	9	
3	68F-15163-00-94	HOUSING, BEARING 1	1	
4	93311-940U3-00	BEARING	1	
5	93102-40M14-00	.OIL SEAL	1	
6	93211-04001-00	.O-RING	2	
7	90119-06MA3-00	BOLT, WITH WASHER	4	
8	93310-954U1-00	BEARING	2	
9	6R3-11536-00-00	GEAR, DRIVE	1	
10	93306-208U0-00	BEARING	1	
11	93410-40M03-00	CIRCLIP	1	
12	6G5-15359-00-94	HOUSING, OIL SEAL	1	
13	93102-35M61-00	.OIL SEAL	1	
14	93101-22M15-00	.OIL SEAL	1	
15	93210-74M35-00	.O-RING	1	
16	90119-06MA2-00	BOLT, WITH WASHER	4	
17	68F-11631-01-85	PISTON (STD)	3	
17	68F-11636-01-00	PISTON (0.50MM O/S)	3	AP
17	68F-11635-01-00	PISTON (0.25MM O/S)	3	AP
18	68F-11603-02-00	PISTON RING SET (STD)	3	
18	68F-11605-02-00	PISTON RING SET (0.50MM O/S)	3	AP
18	68F-11604-02-00	PISTON RING SET (0.25MM O/S)	3	AP
19	68F-11642-01-85	PISTON 2 (STD)	3	
19	68F-11646-01-00	PISTON 2 (0.50MM O/S)	3	AP
19	68F-11645-01-00	PISTON 2 (0.25MM O/S)	3	AP
20	68F-11603-02-00	PISTON RING SET (STD)	3	
20	68F-11605-02-00	PISTON RING SET (0.50MM O/S)	3	AP
20	68F-11604-02-00	PISTON RING SET (0.25MM O/S)	3	AP
21	6R5-11633-10-00	PIN, PISTON	6	
22	6R5-11634-10-00	CLIP, PISTON PIN	12	
23	68L-11650-00-00	CONNECTING ROD ASSY	6	UR Z175
23	6R5-11650-10-00	CONNECTING ROD ASSY	6	UR (L) Z150, (L) Z200
24	90109-08022-00	.BOLT	2	
25	93310-32337-00	BEARING	6	
26	90201-23M01-00	WASHER, PLATE	12	
27	93310-836U0-00	BEARING	6	

Z175TXR 0405 / CYLINDER CRANKCASE 2



©2013 Yamaha Motor Corporation, U.S.A. All rights reserved.


## Part List

Z175TXR 0405 / CYLINDER CRANKCASE 2

REF - NO	PART NUMBER	PART NAME	QUANTITY	REMARKS
1	68F-11111-00-94	HEAD, CYLINDER 1	1	
2	6E5-11325-00-00	ANODE	3	
3	98780-04015-00	SCREW, FLAT HEAD	3	
4	68F-11121-00-94	HEAD, CYLINDER 2	1	
5	6E5-11325-00-00	ANODE	4	
6	98780-04015-00	SCREW, FLAT HEAD	4	
7	68F-11181-00-00	.GASKET, CYLINDER HEAD 1	2	
8	90119-08MA8-00	BOLT, WITH WASHER	28	
9	68F-11119-00-00	HANGER, ENGINE	3	
10	90119-06MA2-00	BOLT, WITH WASHER	5	
11	68F-11191-00-1S	COVER, CYLINDER HEAD 1	1	
12	68F-11192-00-1S	COVER, CYLINDER HEAD 2	1	
13	68F-11193-01-00	.GASKET, HEAD COVER 1	2	
14	90119-06MA4-00	BOLT, WITH WASHER	36	
15	99590-10114-00	PIN, DOWEL	4	
16	6E5-12411-30-00	THERMOSTAT	2	
17	688-12413-00-1S	COVER, THERMOSTAT	2	
18	688-12414-A1-00	.GASKET, COVER	2	
19	90119-06MA6-00	BOLT, WITH WASHER	8	
20	62Y-11325-00-00	ANODE	1	
21	66M-11328-00-00	GROMMET, ANODE	1	
22	66M-11327-00-94	COVER, ANODE	1	
23	66M-12535-00-00	PLATE	1	
24	97095-05012-00	BOLT	1	
25	92995-05600-00	WASHER	1	
26	90119-06MA2-00	BOLT, WITH WASHER	1	
27	68F-41114-00-00	.GASKET, EXHAUST OUTER COVER	1	
28	68F-41113-10-1S	OUTER COVER, EXHAUST	1	
29	650-24378-00-00	.PIPE, JOINT 4	1	
30	90119-06MA4-00	BOLT, WITH WASHER	23	
31	90445-09M25-00	HOSE (L600)	1	
32	90467-08M18-00	CLIP	2	
33	60H-12416-00-00	VALVE, PRESSURE CONTROL	1	
34	90501-16M11-00	SPRING, COMPRESSION	1	
35	90480-20M05-00	GROMMET	1	
36	6G5-11382-A1-00	.GASKET 2	1	
37	6G5-11372-00-1S	COVER, BYPASS 2	1	
38	90119-06MA2-00	BOLT, WITH WASHER	2	
39	68F-12576-00-00	HOSE 1	1	
40	90467-23M16-00	CLIP	2	
41	68F-8255V-00-00	PLATE, COVER	1	
42	91380-05008-00	BOLT	2	
43	NGK-BKR7E-KU-10	PLUG, SPARK (NGK BKR7EKU)	6	UR Z175, (L) Z200

## Part Notes

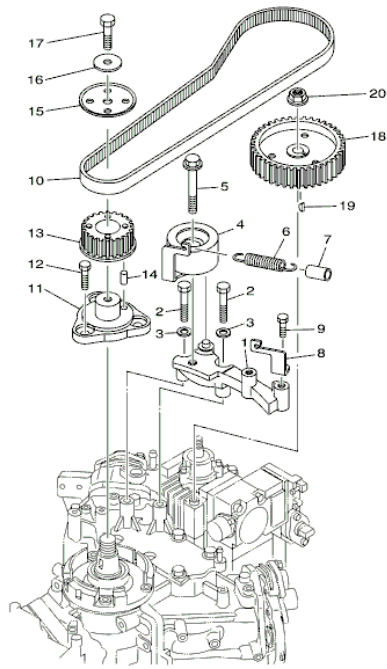
Z175TXR 0405 / CYLINDER CRANKCASE 2

PART NUMBER	NOTE TEXT
6E5-12411-30-00 	OEM: This part number is among the Top 100 Most Popular Marine Maintenance Parts as of August 2013.
688-12414-A1-00 	OEM: This part number is among the Top 100 Most Popular Marine Maintenance Parts as of August 2013.
90480-20M05-00 	OEM: This part number is among the Top 100 Most Popular Marine Maintenance Parts as of August 2013.

©2013 Yamaha Motor Corporation, U.S.A. All rights reserved.



Z175TXR 0405 / FUEL PUMP DRIVE GEAR



  
68F3100-C060

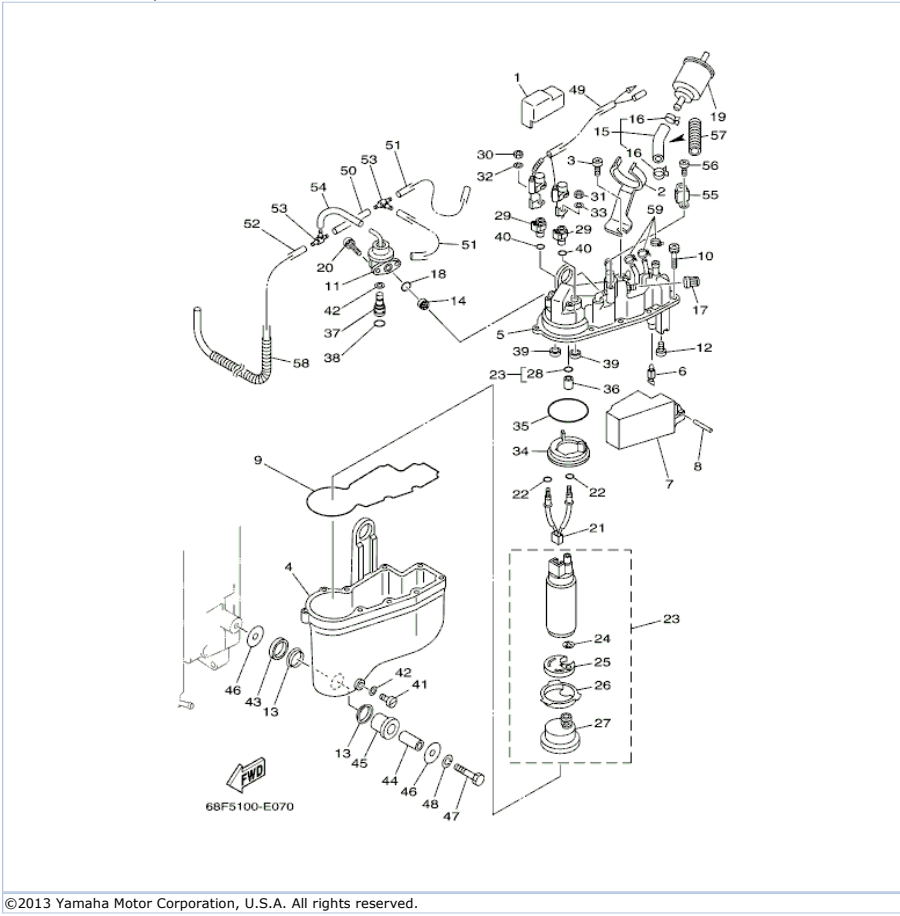
©2013 Yamaha Motor Corporation, U.S.A. All rights reserved.

## Part List

Z175TXR 0405 / FUEL PUMP DRIVE GEAR

REF - NO	PART NUMBER	PART NAME	QUANTITY	REMARKS
1	68F-11598-00-94	BRACKET, TENSIONER	1	
2	97013-08045-00	BOLT	2	
3	92903-08600-00	WASHER, PLATE	2	
4	68F-11590-00-00	TENSIONER ASSY	1	
5	90119-10M72-00	BOLT, WITH WASHER	1	
6	90506-16M39-00	SPRING, TENSION	1	
7	90445-15M03-00	HOSE (L23)	1	
8	68F-11595-10-00	PLATE, VALVE	1	
9	97013-08012-00	BOLT	1	
10	68F-46241-10-00	BELT	1	
11	68F-11579-01-94	COUPLING, FLYWHEEL	1	
12	97013-08012-00	BOLT	3	
13	68F-11536-00-94	GEAR, DRIVE	1	
14	93605-10108-00	PIN, DOWEL	1	
15	60V-11557-00-00	WASHER 1	1	
16	90201-08M00-00	WASHER, PLATE	1	
17	97095-08025-00	BOLT	1	
18	68F-11537-00-94	GEAR, DRIVEN	1	
19	90280-03M01-00	.KEY, WOODRUFF	1	
20	95707-08600-00	NUT, FLANGE	1	

Z175TXR 0405 / VAPOR SEPARATOR 1



©2013 Yamaha Motor Corporation, U.S.A. All rights reserved.





## Part List

Z175TXR 0405 / VAPOR SEPARATOR 1

REF - NO	PART NUMBER	PART NAME	QUANTITY	REMARKS
1	68F-13784-00-00	COVER, PUMP	1	
2	60V-24216-00-00	STAY	1	
3	6D0-24473-00-00	SCREW	1	
4	60V-14980-00-00	BODY, FLOAT CHAMBER	1	
5	68F-14182-01-00	COVER, FLOAT CHAMBER	1	
6	65L-14546-00-00	VALVE, NEEDLE	1	
7	66K-14985-00-00	FLOAT	1	
8	66K-14548-01-00	PIN, FLOAT ARM	1	
9	66K-14984-00-00	GASKET, FLOAT CHAMBER	1	
10	65L-14125-00-00	SCREW	10	
11	68F-13906-10-00	REGULATOR, PRESSURE	1	
12	66K-14325-01-00	SCREW, PAN HEAD	2	
13	60V-14163-00-00	SPACER	6	
14	65L-13905-00-00	FILTER COMP	1	
15	68F-13971-00-00	PIPE, FUEL 1	1	
16	65L-24387-00-00	.CLIP	2	
17	65L-14966-00-00	CAP	1	
18	65L-24486-00-00	O-RING	1	
19	60V-24251-01-00	STRAINER 1	1	
20	66K-14245-00-00	SCREW, GUIDE	2	
21	68F-82509-00-00	WIRE, SUB LEAD	1	
22	65L-14227-00-00	O-RING	2	
23	68F-13907-01-00	FUEL PUMP COMP.	1	
24	65L-14159-00-00	.CLIP	1	
25	68F-13781-00-00	.DAMPER, PUMP	1	
26	68F-13844-00-00	.PLATE 2	1	
27	68F-13915-00-00	.FILTER	1	
28	65L-1416A-00-00	.O-RING	1	
29	66K-14271-00-00	INSULATOR	2	
30	65L-8182A-00-00	NUT	1	
31	65L-8182K-00-00	NUT	1	
32	65L-8182E-00-00	WASHER	1	
33	65L-8182F-00-00	WASHER	1	
34	68F-13843-00-00	PLATE 1	1	
35	65L-14147-00-00	O-RING	1	
36	68F-14274-00-00	CONNECTOR	1	
37	66K-24376-00-00	PIPE, JOINT 1	1	
38	66K-24489-00-00	O-RING	1	
39	68F-14271-00-00	INSULATOR	2	
40	65L-14397-00-00	O-RING	2	
41	65L-14992-00-00	SCREW, DRAIN	1	
42	65L-14997-00-00	SEAL	2	
43	60V-24375-00-00	GROMMET	3	
44	60V-24397-01-00	COLLAR	3	
45	60V-24339-00-00	GROMMET	3	
46	66K-24579-00-00	WASHER 2	6	
47	65L-24592-00-00	BOLT	3	
48	65L-24169-00-00	WASHER, LOCK	3	
49	60V-82507-00-00	WIRE, LEAD	1	
50	66K-13542-00-00	HOSE, VACUUM SENSING 1	1	
51	66K-13544-00-00	HOSE, VACUUM SENSING 2	2	
52	66K-13532-00-00	HOSE, VACUUM SENSING 3	1	
53	65L-24461-00-00	PIPE, JOINT	2	
54	66K-13533-00-00	HOSE, VACUUM SENSING 4	1	
55	65L-13898-00-00	HOLDER	1	
56	65L-14565-00-00	SCREW	1	
57	6D0-2486A-00-00	PIPE 1	1	
58	6D0-2486D-00-00	PIPE 2	1	
59	90465-11M10-00	CLAMP	3	

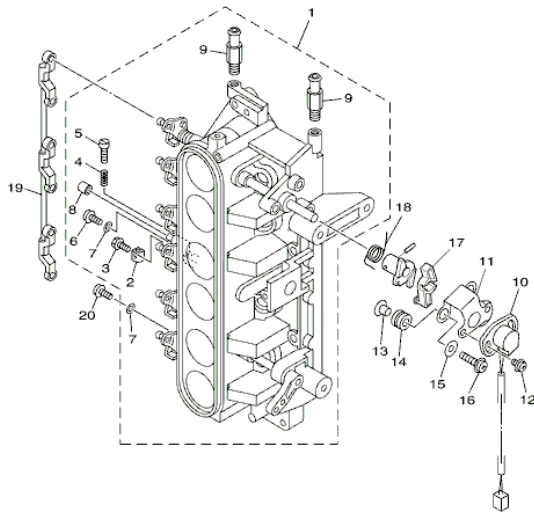
## Part Notes

Z175TXR 0405 / VAPOR SEPARATOR 1

PART NUMBER	NOTE TEXT
66K-14984-00-00	 OEM: This part number is among the Top 100 Most Popular Marine Maintenance Parts as of August 2013.
60V-24251-01-00	 OEM: When replacing this filter, a special Oetiker clamp is required. The part number is 65L-24387-00-00. Worm-Type hose clamps should NOT be used in this application.
60V-24251-01-00	 OEM: This part number is among the Top 100 Most Popular Marine Maintenance Parts as of August 2013.
68F-13915-00-00	 OEM: This part number is among the Top 100 Most Popular Marine Maintenance Parts as of August 2013.

©2013 Yamaha Motor Corporation, U.S.A. All rights reserved.

Z175TXR 0405 / VAPOR SEPARATOR 2



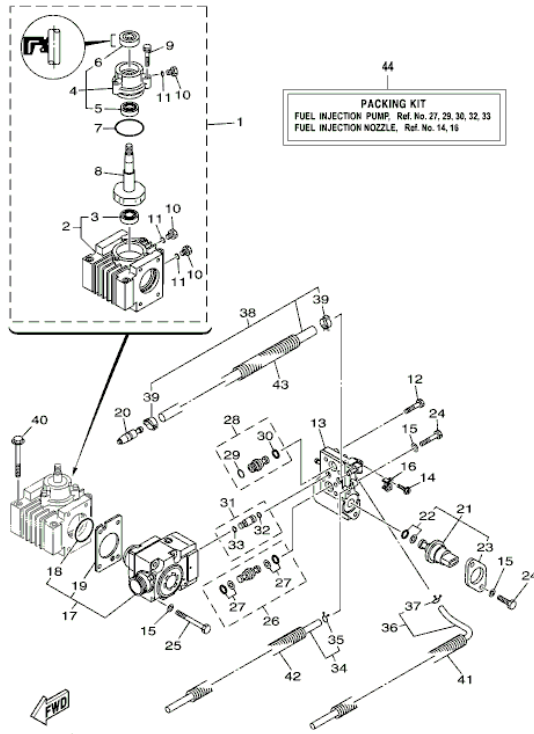
  
68F5100-E080  
Rev. 4-12-2012

## Part List

Z175TXR 0405 / VAPOR SEPARATOR 2

REF - NO	PART NUMBER	PART NAME	QUANTITY	REMARKS
1	68F-13751-01-00	BODY, THROTTLE 1	1	
2	65L-14527-00-00	.PLATE	1	
3	65L-14565-00-00	.SCREW	1	
4	65L-14334-00-00	.SPRING, AIR ADJUSTING	1	
5	65L-14523-00-00	.SCREW, STOP	1	
6	6K5-14592-00-00	.SCREW	1	
7	90201-05552-00	.WASHER, PLATE	6	
8	65L-14578-00-00	.COLLAR	1	
9	68F-13568-00-00	.STUD	2	
10	61A-85885-00-00	THROTTLE SENSOR ASSY	1	
11	6K7-85886-01-00	BRACKET	1	
12	97985-05212-00	SCREW, WITH WASHER	2	
13	90387-05M00-00	COLLAR	3	
14	90480-10M23-00	GROMMET	3	
15	60V-14596-00-00	WASHER	3	
16	97985-05330-00	SCREW, WITH WASHER	3	
17	65L-14573-00-00	LEVER	1	
18	65L-14579-00-00	SPRING	1	
19	65L-41217-00-00	ROD, ACCEL. LEVER	1	
20	6D0-14592-00-00	.SCREW	5	

Z175TXR 0405 / FUEL INJECTION PUMP



©2013 Yamaha Motor Corporation, U.S.A. All rights reserved.


## Part List

Z175TXR 0405 / FUEL INJECTION PUMP

REF - NO	PART NUMBER	PART NAME	QUANTITY	REMARKS
1	68F-12170-10-00	CAMSHAFT ASSY 1	1	
2	68F-12424-10-00	.PLATE, CARTRIDGE INNER	1	
3	93306-00001-00	..BEARING	1	
4	68F-12173-00-00	.CAP, CAMSHAFT 1	1	
5	93306-001U0-00	..BEARING	1	
6	68F-12223-00-00	..SEAL	1	
7	68F-12439-00-00	.O-RING	1	
8	68F-12171-00-00	.CAMSHAFT 1	1	
9	68F-12228-00-00	.BOLT	3	
10	68F-13455-00-00	.PLUG	3	
11	68F-13473-00-00	.O-RING	3	
12	68F-12228-00-00	BOLT	2	
13	68F-13993-10-00	COVER, CONTROL RACK	1	
14	65L-14565-00-00	SCREW	1	
15	68F-24579-00-00	WASHER 2	8	
16	60V-13854-00-00	PLATE 4	1	
17	68F-13910-10-00	FUEL PUMP ASSY	1	
18	60V-14005-00-00	.RING, SEAL	1	
19	60V-14126-00-00	.GASKET	1	
20	68F-24300-00-00	FUEL PIPE JOINT	1	
21	68F-82380-01-00	SENSOR, PRESSURE	1	
22	68F-82384-00-00	.PACKING KIT	1	
23	68F-82388-00-00	.PLATE	1	
24	60V-24178-00-00	BOLT 3	4	
25	60V-24176-00-00	BOLT 1	4	
26	68F-13815-10-00	JOINT 1	1	
27	68F-2466A-00-00	.PACKING KIT	2	
28	68F-13816-10-00	JOINT 2	1	
29	68F-24486-00-00	.O-RING	1	
30	68F-24329-00-00	.SEAL	1	
31	68F-13758-10-00	PIPE, JOINT	2	
32	68F-13473-00-00	.O-RING	1	
33	60V-13473-00-00	.O-RING	1	
34	68F-24312-10-00	PIPE 2	1	
35	68F-24356-00-00	.CLIP, PIPE 1	1	
36	68F-24313-10-00	PIPE 3	1	
37	68F-24356-00-00	.CLIP, PIPE 1	1	
38	68F-13972-10-00	PIPE, FUEL 2	1	
39	65L-24387-00-00	.CLIP	2	
40	97513-08570-00	BOLT, WITH WASHER	4	
41	90446-17M72-00	HOSE (L450)	1	
42	90447-13007-00	TUBE	1	
43	90446-20MF5-00	HOSE (L320)	1	
44	68F-2466A-10-00	PACKING KIT	1	

## Part Notes

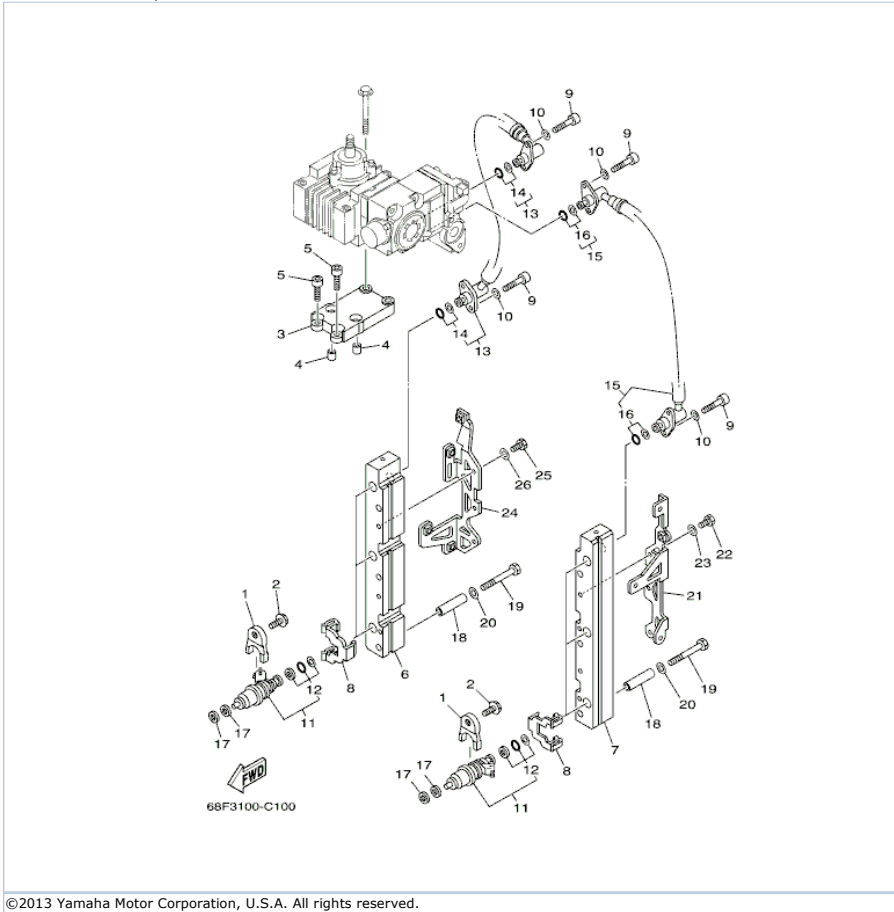
Z175TXR 0405 / FUEL INJECTION PUMP

PART NUMBER	NOTE TEXT
68F-2466A-00-00	 OEM: The contents of this packing kit have changed. The kit now has only 2 parts, instead of 3 parts, for each side of the joint. A total of 4 parts are in each kit, 2 rubber o-rings and two fiber washers. Th

©2013 Yamaha Motor Corporation, U.S.A. All rights reserved.



Z175TXR 0405 / FUEL INJECTION NOZZLE



©2013 Yamaha Motor Corporation, U.S.A. All rights reserved.




## Part List

Z175TXR 0405 / FUEL INJECTION NOZZLE

REF - NO	PART NUMBER	PART NAME	QUANTITY	REMARKS
1	68F-13767-00-00	CAP, INJECTOR	6	
2	90119-08M60-00	BOLT, WITH WASHER	6	
3	60V-13782-00-00	STAY	1	
4	90387-08M31-00	COLLAR	2	
5	90110-08M04-00	BOLT, HEXAGON SOCKET HEAD	4	
6	68F-13161-10-00	PIPE, DELIVERY 1	1	
7	68F-13171-10-00	PIPE, DELIVERY 2	1	
8	60V-13898-10-00	HOLDER	6	
9	68F-24551-00-00	BOLT, JOINT	8	
10	68F-24576-00-00	WASHER	8	
11	68F-13761-00-00	INJECTOR	6	
12	68F-1410B-00-00	.PACKING KIT	1	
13	68F-13973-10-00	PIPE, FUEL 3	1	
14	68F-2466A-00-00	.PACKING KIT	2	
15	68F-13974-10-00	PIPE, FUEL 4	1	
16	68F-2466A-00-00	.PACKING KIT	2	
17	68F-13764-00-00	GASKET (T=2.2)	12	
18	68F-13716-00-00	COLLAR	4	
19	97013-08055-00	BOLT	6	
20	92903-08600-00	WASHER, PLATE	6	
21	68F-82544-10-00	CLAMP	1	
22	97013-06014-00	BOLT	2	
23	92903-06600-00	WASHER, PLATE	2	
24	68F-82544-20-00	CLAMP	1	
25	97013-06014-00	BOLT	2	
26	92903-06600-00	WASHER, PLATE	2	

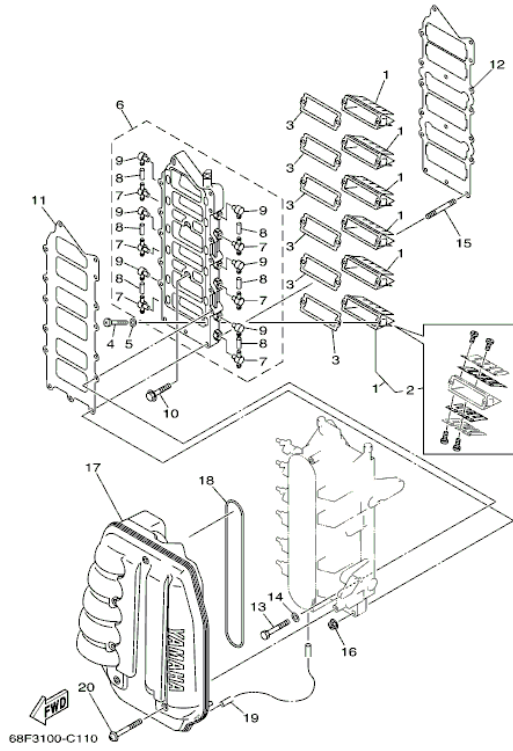
## Part Notes

Z175TXR 0405 / FUEL INJECTION NOZZLE

PART NUMBER	NOTE TEXT
68F-2466A-00-00	 OEM: The contents of this packing kit have changed. The kit now has only 2 parts, instead of 3 parts, for each side of the joint. A total of 4 parts are in each kit, 2 rubber o-rings and two fiber washers. Th
68F-2466A-00-00	 OEM: The contents of this packing kit have changed. The kit now has only 2 parts, instead of 3 parts, for each side of the joint. A total of 4 parts are in each kit, 2 rubber o-rings and two fiber washers. Th
68F-13764-00-00	 OEM: This part number is among the Top 100 Most Popular Marine Maintenance Parts as of August 2013.

©2013 Yamaha Motor Corporation, U.S.A. All rights reserved.

Z175TXR 0405 / INTAKE



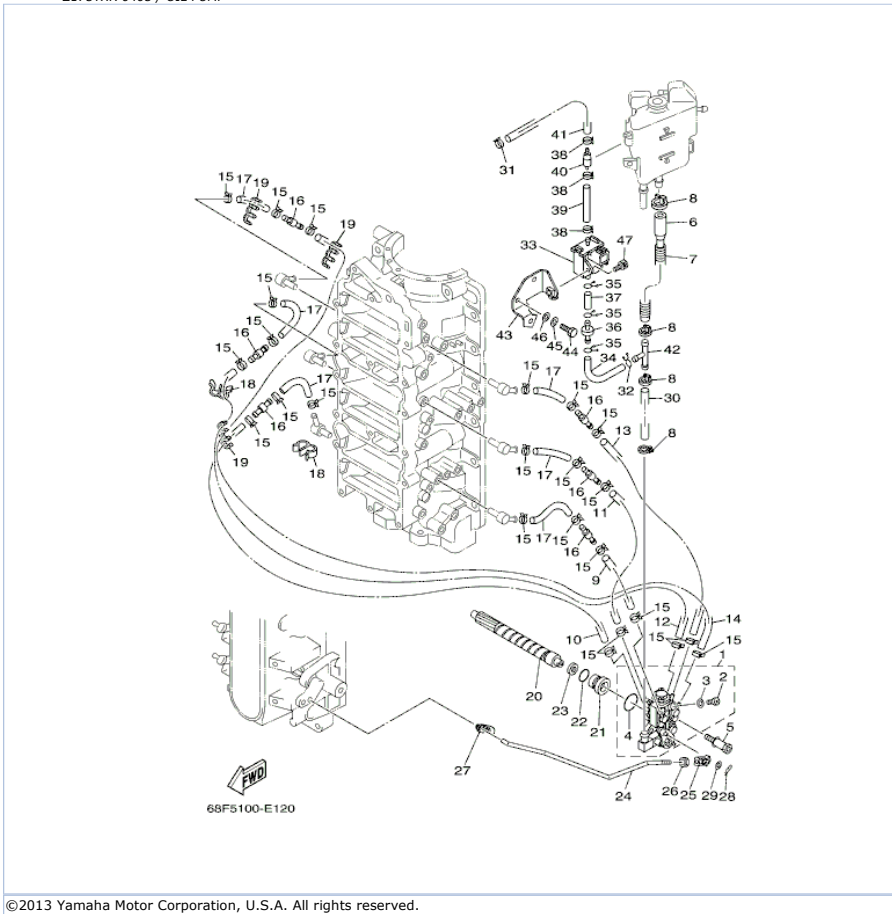
©2013 Yamaha Motor Corporation, U.S.A. All rights reserved.

## Part List

Z175TXR 0405 / INTAKE

REF - NO	PART NUMBER	PART NAME	QUANTITY	REMARKS
1	65L-13610-01-00	REED VALVE ASSY	6	UR (L) Z200
2	65J-W0004-01-00	.REED SET	1	
3	61A-13621-A0-00	.GASKET, VALVE SEAT	6	
4	97880-05016-00	SCREW, PAN HEAD	12	
5	92990-05600-00	WASHER, PLATE	12	
6	68F-13624-00-1S	PLATE, REED VALVE	1	
7	6F6-11372-01-00	.NIPPLE, HOSE	6	
8	90445-07M03-00	.HOSE (L34)	6	
9	650-11370-01-00	.CHECK VALVE ASSY	6	
10	90105-06028-00	BOLT, FLANGE	2	
11	65L-13646-00-00	.GASKET, MANIFOLD 2	1	
12	65L-13645-00-00	.GASKET, MANIFOLD 1	1	
13	97013-06060-00	BOLT	11	
14	92903-06600-00	WASHER, PLATE	11	
15	95670-06660-00	BOLT, STUD	2	
16	90179-06M24-00	NUT	2	
17	60V-14440-00-00	SILENCER ASSY, INTAKE	1	
18	60V-14476-00-00	.SEAL	1	
19	90445-07M44-00	HOSE (L250)	1	
20	90159-06M16-00	SCREW, WITH WASHER	6	

Z175TXR 0405 / OIL PUMP





## Part List

Z175TXR 0405 / OIL PUMP

REF - NO	PART NUMBER	PART NAME	QUANTITY	REMARKS
1	68F-13200-02-00	OIL INJECTION PUMP ASSY	1	UR (L) Z200
1	68L-13200-02-00	OIL INJECTION PUMP ASSY	1	UR Z175
2	6R3-13471-00-00	.PLUG, DRAIN	1	
3	6L2-13475-00-00	.GASKET	1	
4	93210-19M82-00	.O-RING	1	
5	90109-06M40-00	BOLT	2	
6	6G5-13416-00-00	PIPE, OIL 1	1	
7	90447-13012-00	TUBE	1	
8	90465-11M10-00	CLAMP	4	
9	90445-07M00-00	HOSE (L100)	1	
10	90445-07M09-00	HOSE (L380)	1	
11	90445-07MA5-00	HOSE (L150)	1	
12	90445-07M10-00	HOSE (L510)	1	
13	90445-07MA4-00	HOSE (L280)	1	
14	90445-07002-00	HOSE (L720)	1	
15	90468-07M02-00	CLIP	24	
16	6R3-13183-10-00	VALVE, CHECK	6	
17	90445-07M04-00	HOSE (L50)	6	
18	90464-07M20-00	CLAMP	4	
19	90464-07M05-00	CLAMP	3	
20	6R3-11537-00-00	GEAR, DRIVEN	1	
21	6R3-13117-00-00	COLLAR, DISTANCE	1	
22	93210-13M04-00	O-RING	1	
23	90202-08M44-00	WASHER, PLATE	1	
24	67H-41241-00-00	ROD, LINK	1	
25	6H1-41237-00-00	JOINT, LINK	1	
26	95380-05600-00	NUT	1	
27	6R5-41237-00-00	JOINT, LINK	1	
28	90468-05M03-00	CLIP	1	
29	90202-05088-00	WASHER, PLATE	1	
30	90445-12M14-00	HOSE (L50)	1	
31	90468-07M02-00	CLIP	1	
32	90467-08M18-00	CLIP	1	
33	68F-13100-00-00	SOLENOID PUMP ASSY	1	
34	68F-13418-00-00	HOSE 4	1	
35	68F-13184-00-00	SPRING, OIL PIPE	3	
36	68F-13440-00-00	FILTER ASSY	1	
37	68F-1316F-00-00	HOSE 1	1	
38	68F-13133-00-00	CLIP	3	
39	68F-1316G-10-00	HOSE, OIL 2	1	
40	68F-1316A-00-00	CHECK VALVE ASSY	1	
41	68F-13416-10-00	PIPE, OIL 1	1	
42	68F-14485-00-00	PIPE, JOINT	1	
43	68F-1319K-11-00	PLATE	1	
44	97095-06020-00	BOLT	2	
45	92995-06100-00	WASHER, SPRING	2	
46	92995-06600-00	WASHER	2	
47	90110-06M06-00	BOLT, HEXAGON SOCKET HEAD	1	

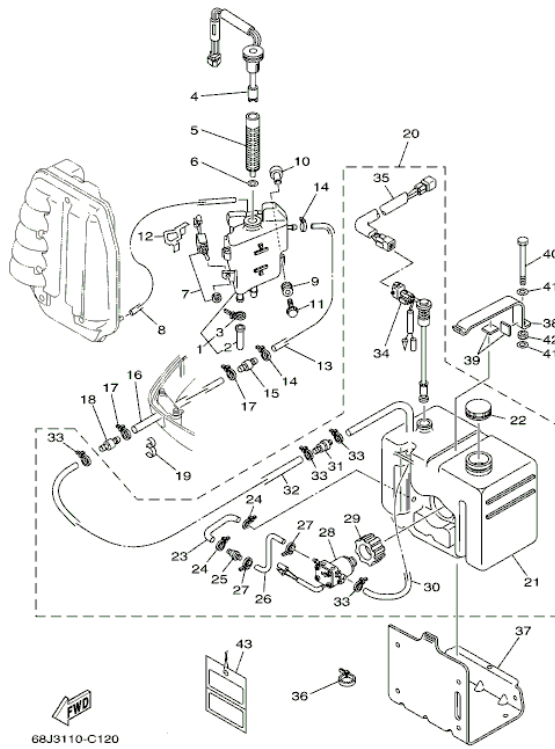
## Part Notes

Z175TXR 0405 / OIL PUMP

PART NUMBER	NOTE TEXT
6H1-41237-00-00 	OEM: This part number is among the Top 100 Most Popular Marine Maintenance Parts as of August 2013.
92995-06100-00 	OEM: This part number is among the Top 100 Most Popular Marine Maintenance Parts as of August 2013.

©2013 Yamaha Motor Corporation, U.S.A. All rights reserved.

Z175TXR 0405 / OIL TANK



©2013 Yamaha Motor Corporation, U.S.A. All rights reserved.



## Part List

Z175TXR 0405 / OIL TANK

REF - NO	PART NUMBER	PART NAME	QUANTITY	REMARKS
1	68F-21750-00-00	OIL TANK ASSY	1	
2	6E5-13448-00-00	.CAP	1	
3	90465-13M11-00	.CLAMP	1	
4	67H-85730-01-00	OIL LEVEL GAUGE ASSY	1	
5	6E5-13411-00-00	STRAINER, OIL	1	
6	6E5-13414-00-00	GASKET, STRAINER COVER	1	
7	6R3-8259E-00-00	SWITCH ASSY	1	
8	90445-07M43-00	HOSE (L600)	1	
9	6A0-82317-00-00	DAMPER, IGNITION COIL	3	
10	90387-06M91-00	COLLAR	3	
11	90119-06M65-00	BOLT, WITH WASHER	3	
12	68F-2174E-00-00	STAY, SIDE COVER 2	1	
13	6E5-24323-00-00	PIPE 12	1	
14	90465-11M10-00	CLAMP	2	
15	6E5-24379-00-00	PIPE, JOINT 4	1	
16	90445-12207-00	HOSE (L2400)	1	
17	90465-11M10-00	CLAMP	2	
18	6E5-24379-00-00	PIPE, JOINT 4	1	
19	90464-13M34-00	CLAMP	1	
20	61A-21708-20-00	SUB OIL TANK ASSY	1	
21	6E5-21733-20-00	.SUB TANK, OIL (105L)	1	
22	6E5-21770-03-00	.OIL TANK CAP ASSY	1	
23	6E5-24322-00-00	.PIPE 11	1	
24	90465-11M10-00	.CLAMP	2	
25	646-24251-02-00	.STRAINER 1	1	
26	6E5-24319-01-00	.PIPE, OIL	1	
27	90465-11M10-00	.CLAMP	2	
28	6E5-81900-01-00	.OIL FEED PUMP ASSY	1	
29	6E5-81922-00-00	.GROMMET	1	
30	6E5-24321-01-00	.PIPE 10	1	
31	6E5-24379-00-00	.PIPE, JOINT 4	1	
32	90445-11M26-00	.HOSE (L6500)	1	
33	90465-11M10-00	.CLAMP	4	
34	6E5-85720-05-00	.OIL LEVEL GAUGE ASSY	1	
35	6R3-85721-80-00	.WIRE, LEAD (L=80M)	1	
36	90465-13M11-00	CLAMP	1	
37	6E5-21734-01-33	HOLDER, OIL SUB TANK	1	
38	6E5-21798-01-33	BRACKET, DAMPER	1	
39	6E5-21746-00-00	DAMPER	2	
40	97080-06100-00	BOLT	1	
41	92990-06600-00	WASHER, PLATE	2	
42	95380-06600-00	NUT, HEXAGON	1	
43	61H-2819R-31-00	TAG, WARNING	1	

## Part Notes

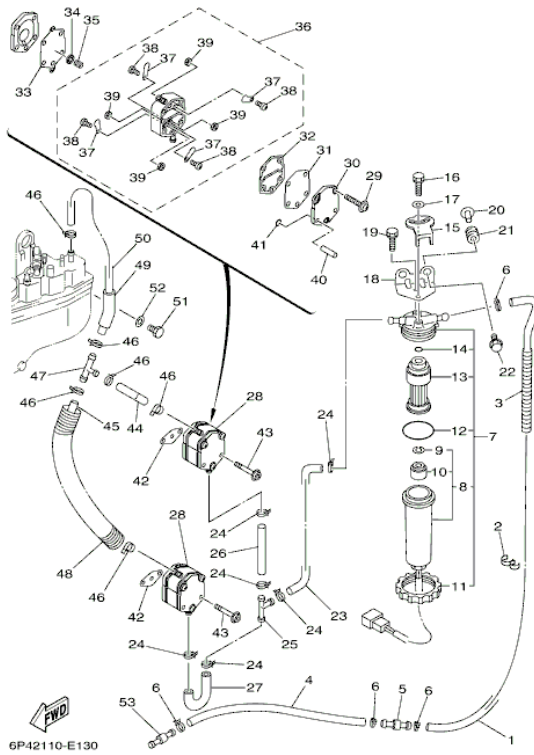
Z175TXR 0405 / OIL TANK

PART NUMBER	NOTE TEXT
646-24251-02-00 	OEM: This part number is among the Top 100 Most Popular Marine Maintenance Parts as of August 2013.
92990-06600-00 	OEM: This part number is among the Top 100 Most Popular Marine Maintenance Parts as of August 2013.

©2013 Yamaha Motor Corporation, U.S.A. All rights reserved.



Z175TXR 0405 / FUEL



©2013 Yamaha Motor Corporation, U.S.A. All rights reserved.





## Part List

Z175TXR 0405 / FUEL

REF - NO	PART NUMBER	PART NAME	QUANTITY	REMARKS
1	61A-24313-00-00	PIPE 3	1	
2	90464-13M34-00	CLAMP	1	
3	90447-13012-00	TUBE	1	
4	90445-13M17-00	HOSE (L2700)	1	
5	6R3-24377-00-00	PIPE, JOINT 2	1	
6	90465-11M10-00	CLAMP	4	
7	68F-24560-10-00	FILTER ASSY	1	
8	68F-24562-10-00	.CUP, FILTER	1	
9	68F-24519-10-00	..CLIP	1	
10	68F-24469-10-00	..FLOAT, WATER LEVEL	1	
11	65L-24531-01-00	.NUT	1	
12	61A-24564-00-00	.O-RING	1	
13	68F-24563-10-00	.ELEMENT, FILTER	1	
14	65L-24564-00-00	.O-RING	1	
15	60H-24558-00-00	HOLDER, FILTER	1	
16	97595-06416-00	BOLT, WITH WASHER	1	
17	90201-06068-00	WASHER, PLATE	1	
18	68F-24566-00-00	BRACKET, FILTER	1	
19	97595-06514-00	BOLT, WITH WASHER	1	
20	90387-06M60-00	COLLAR	2	
21	90480-10M23-00	GROMMET	2	
22	90119-06M88-00	BOLT, WITH WASHER	2	
23	68F-24311-00-00	PIPE, FUEL 1	1	
24	90465-11M10-00	CLAMP	6	
25	6E5-24378-00-00	PIPE, JOINT 3	1	
26	90445-13M31-00	HOSE (L85)	1	
27	67H-24311-00-00	PIPE, FUEL 1	1	
28	6E5-24410-04-00	FUEL PUMP ASSY	2	
29	6E5-24444-01-00	.SCREW	3	
30	6E5-24413-01-00	.BODY 2	1	
31	6E5-24471-01-00	.DIAPHRAGM	1	
32	6E5-24435-01-00	.GASKET, BODY 2	1	
33	6E5-24411-01-00	.DIAPHRAGM	1	
34	648-24424-00-00	.SEAT, SPRING	1	
35	6E5-24423-00-00	.SPRING, DIAPHRAGM	1	
36	6E5-24412-11-00	.BODY 1	1	
37	6A0-24421-01-00	..VALVE, CHECK	4	
38	6A0-14325-00-00	..SCREW, PAN HEAD	4	
39	95380-03600-00	..NUT	4	
40	6E5-24492-00-00	.BUSH, FUEL PUMP	2	
41	6E5-24486-00-00	.O-RING	2	
42	650-24431-A0-00	GASKET, FUEL PUMP 1	2	
43	90110-06128-00	BOLT, HEXAGON SOCKET HEAD	4	
44	61U-24316-00-00	PIPE 6	1	
45	6E5-24313-00-00	PIPE 3	1	
46	90465-11M10-00	CLAMP	6	
47	6E5-24378-00-00	PIPE, JOINT 3	1	
48	6H1-83557-00-00	TUBE	1	
49	90446-15M07-00	HOSE (L60)	1	
50	90445-13M12-00	HOSE (L235)	1	
51	97095-06012-00	BOLT	1	
52	92995-06600-00	WASHER	1	
53	6R3-24377-10-00	PIPE, JOINT 2	1	

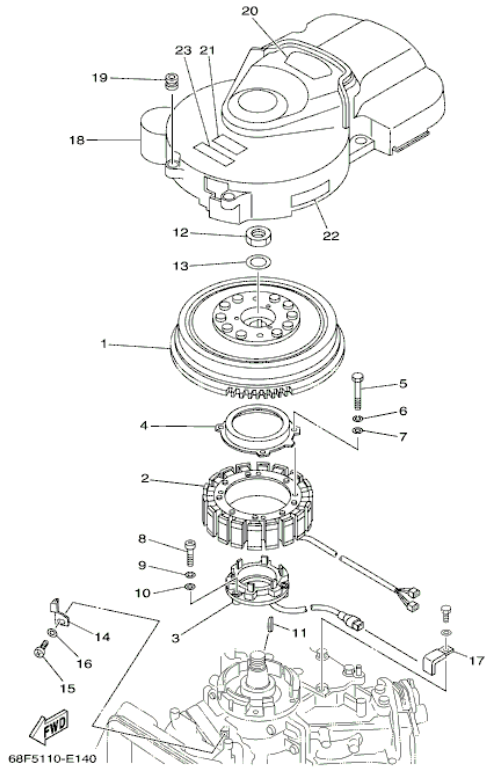
## Part Notes

Z175TXR 0405 / FUEL

PART NUMBER	NOTE TEXT
61A-24564-00-00 	OEM: This part number is among the Top 100 Most Popular Marine Maintenance Parts as of August 2013.
68F-24563-10-00 	OEM: This part number is among the Top 100 Most Popular Marine Maintenance Parts as of August 2013.
65L-24564-00-00 	OEM: This part number is among the Top 100 Most Popular Marine Maintenance Parts as of August 2013.
650-24431-A0-00 	OEM: This part number is among the Top 100 Most Popular Marine Maintenance Parts as of August 2013.

©2013 Yamaha Motor Corporation, U.S.A. All rights reserved.

Z175TXR 0405 / GENERATOR



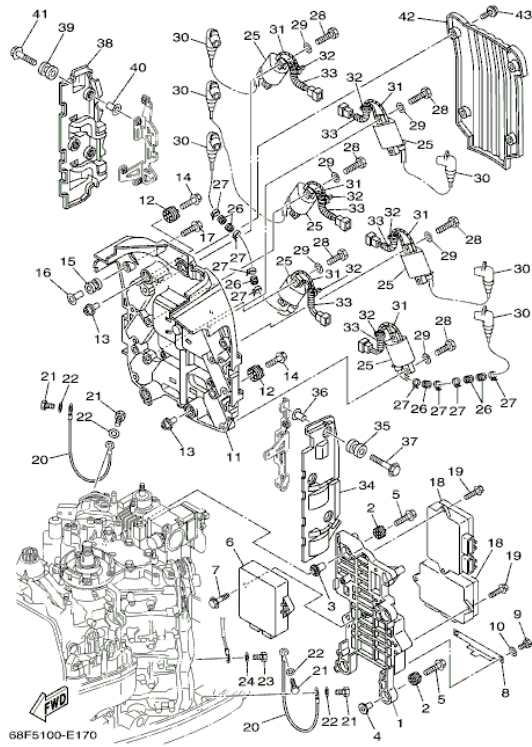
©2013 Yamaha Motor Corporation, U.S.A. All rights reserved.

## Part List

Z175TXR 0405 / GENERATOR

REF - NO	PART NUMBER	PART NAME	QUANTITY	REMARKS
1	68F-81450-00-00	ROTOR ASSY	1	
2	68F-81410-00-00	STATOR ASSY	1	
3	60V-85580-10-00	COIL, PULSER	1	
4	61A-83721-00-00	COVER	1	
5	97013-06035-00	BOLT	4	
6	92903-06100-00	WASHER, SPRING	4	
7	92903-06600-00	WASHER, PLATE	4	
8	97885-05030-00	SCREW, PAN HEAD	3	
9	92995-05100-00	WASHER	3	
10	92995-05600-00	WASHER	3	
11	90280-05015-00	KEY, WOODRUFF	1	
12	90170-24M22-00	NUT	1	
13	90201-25M02-00	WASHER, PLATE	1	
14	6E5-81332-00-00	PLATE, TIMING	1	
15	97885-06010-00	SCREW, PAN HEAD	1	
16	92995-06600-00	WASHER	1	
17	90465-08M23-00	CLAMP	2	
18	68F-81337-10-00	COVER, FLYWHEEL	1	
19	663-82317-01-00	DAMPER, IGNITION COIL	4	
20	68F-14488-00-00	LABEL, CAUTION	1	
21	6A1-83625-41-00	MARK 5	1	
22	6E5-85711-40-00	MARK, CAUTION	1	
23	6K1-83623-41-00	MARK 3	1	LZ150, LZ200

Z175TXR 0405 / ELECTRICAL 1



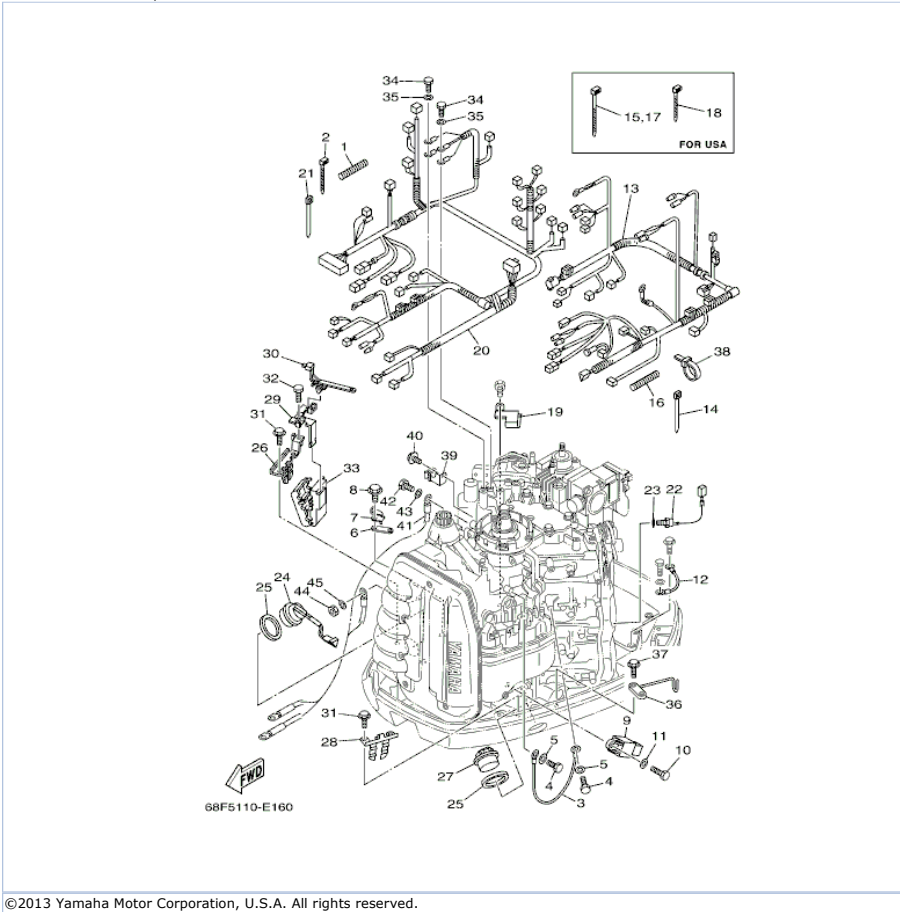
©2013 Yamaha Motor Corporation, U.S.A. All rights reserved.

## Part List

Z175TXR 0405 / ELECTRICAL 1

REF - NO	PART NUMBER	PART NAME	QUANTITY	REMARKS
1	60V-85542-01-94	BRACKET	1	
2	68F-85564-00-00	GROMMET	4	
3	68F-86129-00-00	COLLAR	2	
4	68F-86129-10-00	COLLAR	2	
5	68F-85119-00-00	BOLT	4	
6	68F-8591A-G1-00	ENGINE CONTROL UNIT ASSY	1	UR (L) Z200
6	68L-8591A-31-00	ENGINE CONTROL UNIT ASSY	1	UR Z175
7	90119-06MA3-00	BOLT, WITH WASHER	2	
8	60V-85548-00-00	HOLDER	1	
9	97013-06014-00	BOLT	2	
10	92903-06600-00	WASHER, PLATE	2	
11	68F-82316-00-00	BRACKET, IGNITION COIL	1	
12	68F-85516-01-00	SPACER	4	
13	68F-86129-10-00	COLLAR	4	
14	68F-85119-00-00	BOLT	4	
15	6A0-82317-00-00	DAMPER, IGNITION COIL	4	
16	90387-06119-00	COLLAR	4	
17	90119-06M88-00	BOLT, WITH WASHER	4	
18	60V-8591B-00-00	DRIVER, INJECTOR ASSY	2	
19	90119-06MA2-00	BOLT, WITH WASHER	4	
20	6G0-82519-00-00	WIRE, EARTH LEAD	2	
21	97095-06012-00	BOLT	4	
22	92995-06600-00	WASHER	4	
23	97095-06012-00	BOLT	1	
24	92995-06600-00	WASHER	1	
25	68F-82310-01-00	IGNITION COIL ASSY	6	
26	90480-22M15-00	GROMMET	6	
27	90465-11M10-00	CLAMP	8	
28	97013-05020-00	BOLT	12	
29	92903-05600-00	WASHER, PLATE	12	
30	68F-82370-01-00	PLUG CAP ASSY	6	
31	90448-03001-00	HOSE, WITH UNION	12	
32	90465-11M10-00	CLAMP	6	
33	90447-07007-00	TUBE	6	
34	68F-8252U-20-00	COVER	1	
35	6A0-82317-00-00	DAMPER, IGNITION COIL	3	
36	90387-06119-00	COLLAR	3	
37	90119-06M88-00	BOLT, WITH WASHER	3	
38	68F-8252U-30-00	COVER	1	
39	6A0-82317-00-00	DAMPER, IGNITION COIL	3	
40	90387-06119-00	COLLAR	3	
41	90119-06M88-00	BOLT, WITH WASHER	3	
42	68F-83579-00-00	COVER, METER 2	1	
43	90111-06034-00	BOLT,HEX. SOCKET BUTTON	4	

Z175TXR 0405 / ELECTRICAL 2




## Part List

Z175TXR 0405 / ELECTRICAL 2

REF - NO	PART NUMBER	PART NAME	QUANTITY	REMARKS
1	90447-07011-00	TUBE	1	
2	90465-11M10-00	CLAMP	1	
3	6H2-81949-11-00	WIRE, LEAD	1	
4	97095-06012-00	BOLT	2	
5	92995-06600-00	WASHER	2	
6	6E5-82588-00-00	PLATE	1	
7	68F-81845-00-00	PLATE	1	
8	95895-06020-00	BOLT, FLANGE	1	
9	68V-81950-00-00	RELAY ASSY	1	
10	97095-06016-00	BOLT	1	
11	92995-06600-00	WASHER	1	
12	6E5-82531-10-00	WIRE, LEAD	1	
13	68F-82590-A0-00	WIRE HARNESS ASSY	1	
14	90465-11M52-00	CLAMP	1	
15	90465-13M18-00	CLAMP	1	
16	68F-83557-00-00	TUBE	1	
17	90465-13M18-00	CLAMP	1	
18	90465-11M10-00	CLAMP	1	
19	68F-83919-00-00	CLAMP, HARNESS	1	
20	68F-8259M-80-00	WIRE HARNESS ASSY 2	1	
21	90465-11M52-00	CLAMP	1	
22	61A-85790-00-00	THERMOSENSOR ASSY	1	
23	92990-10600-00	WASHER, PLATE	1	
24	6R3-82563-00-00	TRIM & TILT SWITCH ASSY	1	
25	6E5-82587-00-00	GASKET	2	
26	68F-83614-00-00	BRACKET	1	
27	68F-42723-10-8D	COVER, BOTTOM	1	
28	68F-83614-10-00	BRACKET	1	
29	68F-83635-00-00	BRACKET	1	
30	90464-20213-00	CLAMP	2	
31	90109-06M80-00	BOLT	4	
32	97095-06014-00	BOLT	1	
33	68F-83634-00-00	GROMMET	1	
34	97095-06014-00	BOLT	2	
35	92995-06600-00	WASHER	2	
36	6K7-82588-00-00	PLATE	1	
37	95895-06020-00	BOLT, FLANGE	1	
38	90464-11008-00	CLAMP	1	
39	90462-10033-00	CLAMP	1	
40	97595-06510-00	BOLT, WITH WASHER	1	
41	68F-82105-00-00	BATTERY CABLE	1	
42	97095-08016-00	BOLT	1	
43	92995-08600-00	WASHER	1	
44	95333-08600-00	NUT	1	
45	92903-08100-00	WASHER, SPRING	1	

## Part Notes

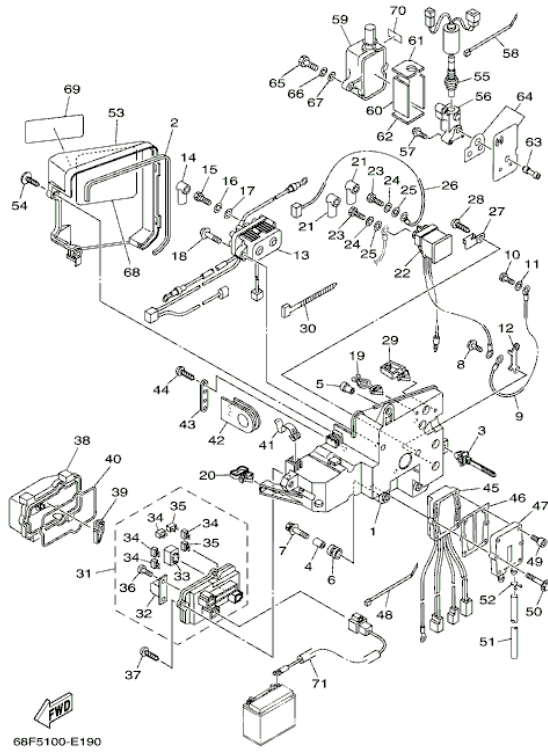
Z175TXR 0405 / ELECTRICAL 2

PART NUMBER	NOTE TEXT
92990-10600-00 	OEM: This part number is among the Top 100 Most Popular Marine Maintenance Parts as of August 2013.

©2013 Yamaha Motor Corporation, U.S.A. All rights reserved.



Z175TXR 0405 / ELECTRICAL 3



©2013 Yamaha Motor Corporation, U.S.A. All rights reserved.




## Part List

Z175TXR 0405 / ELECTRICAL 3

REF - NO	PART NUMBER	PART NAME	QUANTITY	REMARKS
1	68F-81948-02-00	BRACKET	1	
2	68F-82535-00-00	GROMMET	1	
3	90465-12M56-00	CLAMP	1	
4	90387-06119-00	COLLAR	4	
5	90387-06M91-00	COLLAR	1	
6	6A0-82317-00-00	DAMPER, IGNITION COIL	5	
7	90119-06M65-00	BOLT, WITH WASHER	5	
8	90110-06139-00	BOLT, HEXAGON SOCKET HEAD	2	
9	68F-81949-20-00	WIRE, LEAD	1	
10	97095-06012-00	BOLT	1	
11	92995-06600-00	WASHER	1	
12	61A-87149-00-00	CONNECTOR	1	
13	68F-81950-01-00	RELAY ASSY	1	
14	682-82119-01-00	COVER, LEAD WIRE	1	
15	97095-06010-00	BOLT	2	
16	92995-06100-00	WASHER, SPRING	2	
17	92995-06600-00	WASHER	2	
18	90110-06191-00	BOLT, HEXAGON SOCKET HEAD	2	
19	90464-18M46-00	CLAMP	1	
20	90464-23199-00	CLAMP	1	
21	682-82119-01-00	COVER, LEAD WIRE	2	
22	68V-8194A-00-00	RELAY	1	
23	97095-06010-00	BOLT	2	
24	92995-06100-00	WASHER, SPRING	2	
25	92995-06600-00	WASHER	2	
26	68F-82117-00-00	WIRE, LEAD	1	
27	68F-81953-00-00	STAY, RELAY	1	
28	97780-60620-00	SCREW, TAPPING	1	
29	90464-05141-00	CLAMP	1	
30	90465-11M52-00	CLAMP	1	
31	68F-82170-01-00	FUSE BOX ASSY	1	
32	6P2-82151-00-00	.FUSE (60A)	2	
33	68F-8195A-00-00	.RELAY ASSY	2	
34	67F-82151-00-00	.FUSE (20A)	4	
35	67F-82151-10-00	.FUSE (30A)	2	
36	68F-82846-00-00	.SCREW, PAN HEAD (M5)	4	
37	97780-50620-00	SCREW, TAPPING	3	
38	68F-85544-00-00	CASE	1	
39	67F-2812A-00-00	.PULLER, FUSE	1	
40	68F-82176-00-00	DAMPER	1	
41	68F-8572S-00-00	SPRING	2	
42	68F-81336-00-00	GROMMET	1	
43	68F-81128-00-00	CLAMP	1	
44	97780-50616-00	SCREW, TAPPING	2	
45	68F-81960-01-00	RECTIFIER & REGULATOR ASSY	1	
46	69J-81975-A0-00	PLATE, RECTIFIER FITTING	1	
47	69J-81972-01-1S	COVER, RECTIFIER	1	
48	90465-13M18-00	CLAMP	1	
49	90110-06M07-00	BOLT, HEXAGON SOCKET HEAD	4	
50	90119-06MA4-00	BOLT, WITH WASHER	2	
51	90445-09097-00	HOSE (L250)	1	
52	90467-08M18-00	CLIP	1	
53	68F-81942-00-00	COVER	1	
54	90169-05M00-00	SCREW, TRUSS HEAD TAPPING	2	
55	68F-8592A-00-00	SENSOR, OXYGEN	1	
56	65L-11395-00-00	HOLDER	1	
57	90119-06M74-00	BOLT, WITH WASHER	3	
58	90465-13M18-00	CLAMP	1	
59	65L-85832-00-00	CASE, UNDER	1	
60	65L-11354-00-00	GASKET	1	
61	65L-1131N-00-00	GASKET, HOLDER	1	
62	65L-11396-00-00	GASKET, HOLDER	1	
63	68F-11353-00-00	JOINT	1	
64	68F-W1135-00-00	SEAL, CYLINDER	1	
65	97095-06030-00	BOLT	2	
66	92995-06100-00	WASHER, SPRING	2	
67	92995-06600-00	WASHER	2	
68	68F-81919-20-00	GRAPHIC, REGULATOR	1	
69	68F-81919-01-00	GRAPHIC, REGULATOR	1	
70	65L-83625-40-00	MARK 5	1	
71	68F-81949-00-00	WIRE, LEAD (ISOLATOR CABLE)	1	AP

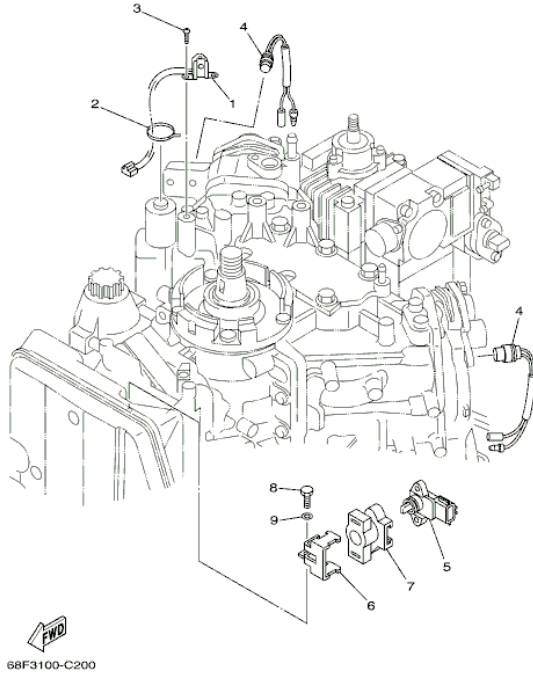
## Part Notes

Z175TXR 0405 / ELECTRICAL 3

PART NUMBER		NOTE TEXT
92995-06100-00		OEM: This part number is among the Top 100 Most Popular Marine Maintenance Parts as of August 2013.
92995-06100-00		OEM: This part number is among the Top 100 Most Popular Marine Maintenance Parts as of August 2013.
92995-06100-00		OEM: This part number is among the Top 100 Most Popular Marine Maintenance Parts as of August 2013.

©2013 Yamaha Motor Corporation, U.S.A. All rights reserved.

Z175TXR 0405 / ELECTRICAL 4

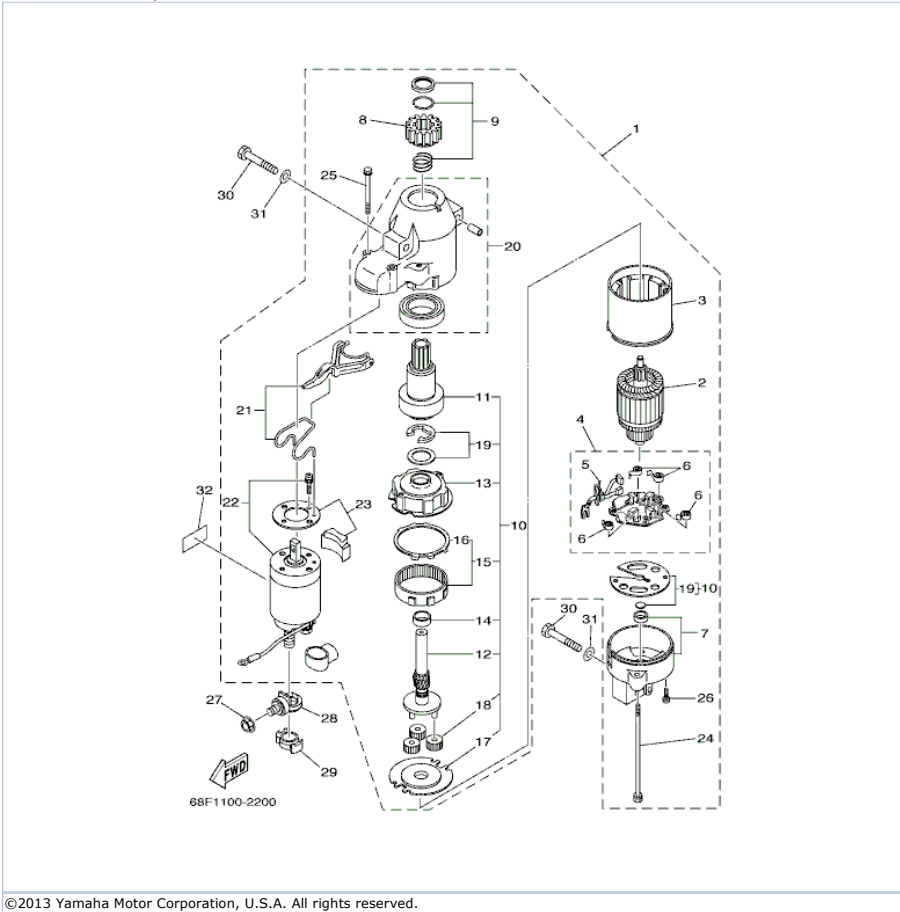


## Part List

Z175TXR 0405 / ELECTRICAL 4

REF - NO	PART NUMBER	PART NAME	QUANTITY	REMARKS
1	61A-85895-00-00	CRANK POSITION SENDER	1	
2	90465-13M18-00	CLAMP	1	
3	97885-05012-00	SCREW, PAN HEAD	2	
4	688-82560-10-00	THERMO SWITCH ASSY	2	
5	68F-83688-00-00	SENSOR ASSY	1	
6	68F-8431R-10-00	STAY, SETTING	1	
7	68F-84352-00-00	GROMMET	1	
8	97095-06016-00	BOLT	1	
9	92995-06600-00	WASHER	1	

Z175TXR 0405 / STARTING MOTOR



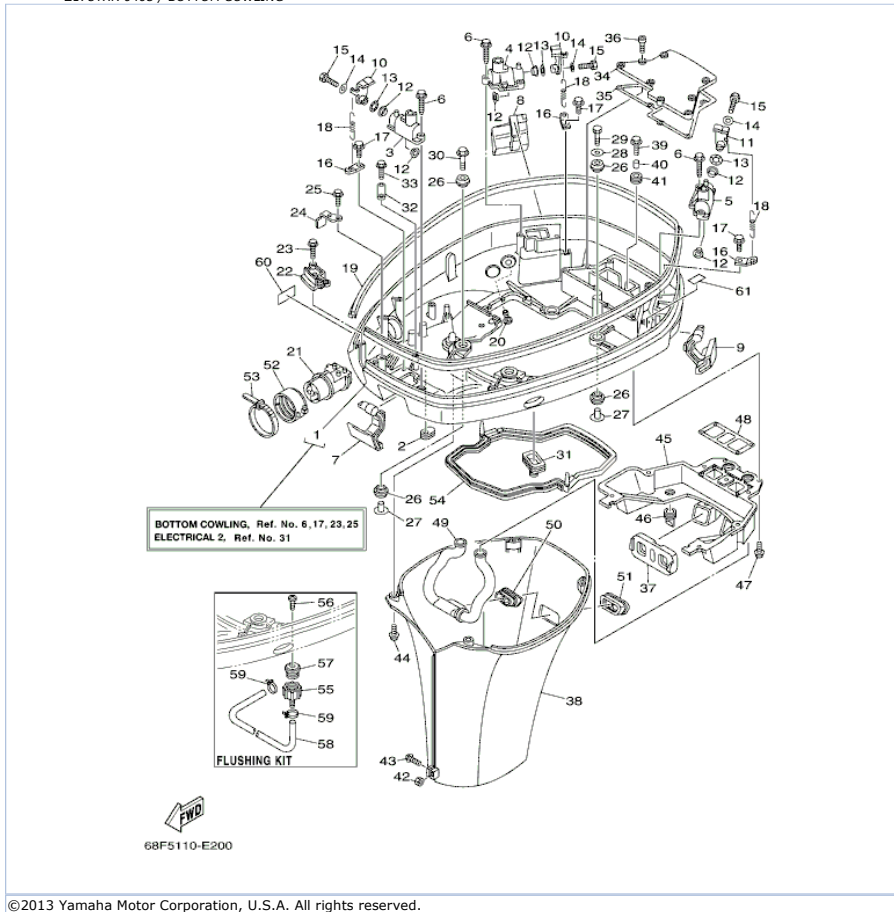
©2013 Yamaha Motor Corporation, U.S.A. All rights reserved.

## Part List

Z175TXR 0405 / STARTING MOTOR

REF - NO	PART NUMBER	PART NAME	QUANTITY	REMARKS
1	68F-81800-01-00	STARTING MOTOR ASSY	1	
2	67F-81850-00-00	.ARMATURE ASSY	1	
3	67F-81810-00-00	.STATOR ASSY	1	
4	68F-81840-00-00	.BRUSH HOLDER ASSY	1	
5	67F-81801-00-00	..BRUSH SET	1	
6	67F-81813-00-00	..SPRING, BRUSH	4	
7	68F-81820-00-00	.REAR BRACKET ASSY	1	
8	67F-81808-00-00	.PINION ASSY	1	
9	67F-81857-00-00	.PINION STOPPER SET	1	
10	67F-81807-00-00	.GEAR ASSY, STARTING MOTOR	1	
11	67F-81832-00-00	..CLUTCH, OVER RUN	1	
12	67F-81836-00-00	..SHAFT, PINION	1	
13	67F-81821-00-00	..BRACKET, CENTER 1	1	
14	67F-81841-00-00	..BEARING	1	
15	67F-81891-00-00	..GEAR, RING	1	
16	67F-8183R-00-00	...GASKET	1	
17	67F-81830-00-00	..BRACKET, CENTER 2	1	
18	60V-8183T-00-00	..GEAR, IDLER	3	
19	67F-81809-00-00	..WASHER KIT	1	
20	67F-81842-00-00	.COVER	1	
21	67F-81839-00-00	.LEVER ASSY	1	
22	68F-81941-01-00	.STARTER RELAY ASSY	1	
23	67F-81869-00-00	.COVER, DUST	1	
24	6K7-81826-10-00	.BOLT	2	
25	67F-81828-00-00	.SCREW 2	2	
26	67F-81846-00-00	.SCREW	2	
27	90179-08003-00	NUT	1	
28	60V-81925-00-00	TERMINAL	1	
29	68F-82582-00-00	COVER, WIRE HARNESS	1	
30	97013-08045-00	BOLT	3	
31	92903-08600-00	WASHER, PLATE	3	
32	67F-83627-01-00	LABEL, CAUTION 7	1	

Z175TXR 0405 / BOTTOM COWLING



©2013 Yamaha Motor Corporation, U.S.A. All rights reserved.

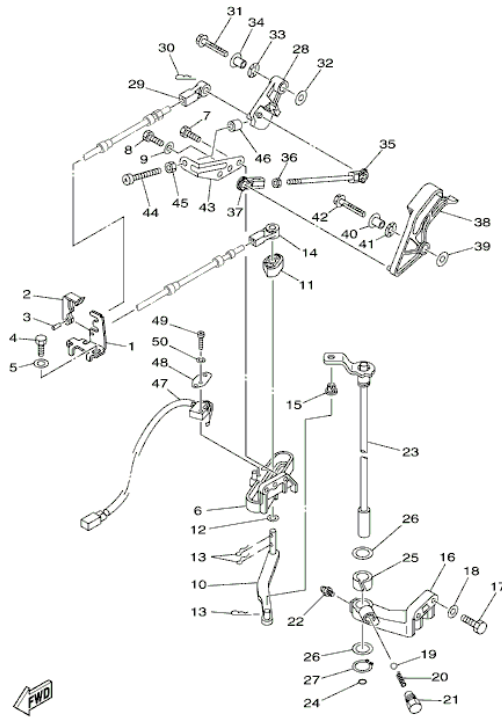


## Part List

Z175TXR 0405 / BOTTOM COWLING

REF - NO	PART NUMBER	PART NAME	QUANTITY	REMARKS
1	68F-42710-10-8D	BOTTOM COWLING ASSY	1	
2	64G-42727-00-00	GROMMET	1	UR LZ150, LZ200
2	61A-42727-00-00	GROMMET	1	UR Z150, Z175, Z200
3	68F-42828-03-94	PLATE, CLAMP	1	
4	68F-42828-20-94	PLATE, CLAMP	1	
5	68F-42828-10-94	PLATE, CLAMP	1	
6	90109-06M82-00	BOLT	6	
7	68F-42815-00-8D	LEVER, CLAMP	1	
8	68F-42816-00-8D	LEVER, CLAMP	1	
9	68F-42817-00-8D	LEVER, CLAMP	1	
10	68F-42818-01-00	LEVER, CLAMP	2	
11	6D8-42818-00-00	LEVER, CLAMP	1	
12	90386-15M73-00	BUSH	6	
13	90206-15M18-00	WASHER, WAVE	3	
14	90201-06068-00	WASHER, PLATE	3	
15	97095-06016-00	BOLT	3	
16	64D-43144-00-00	HOOK, SPRING	3	
17	90109-06M80-00	BOLT	3	
18	90506-16M34-00	SPRING, TENSION	3	
19	68F-42615-00-00	SEAL	1	
20	6E5-44391-00-00	NIPPLE, HOSE	1	
21	68F-42725-01-00	GROMMET	1	
22	68F-42738-00-5B	PLATE, FITTING	1	
23	90109-06M86-00	BOLT	2	
24	64D-42738-10-5B	PLATE, FITTING	1	
25	90109-06M80-00	BOLT	1	
26	90480-22M81-00	GROMMET	8	
27	90387-08M37-00	COLLAR	4	
28	90201-08M54-00	WASHER, PLATE	1	
29	97075-08035-00	BOLT	1	
30	90119-08M22-00	BOLT, WITH WASHER	3	
31	688-42726-10-00	GROMMET	1	
32	6E5-82588-00-00	PLATE	1	
33	95895-06020-00	BOLT, FLANGE	1	
34	68F-42723-00-94	COVER, BOTTOM	1	
35	68F-42721-00-00	GASKET 1	1	
36	90110-06038-00	BOLT, HEXAGON SOCKET HEAD	8	
37	68F-42769-00-00	SEAL, RUBBER	1	
38	68F-42741-10-4D	APRON	1	X (25.3")
39	90119-06077-00	BOLT, WITH WASHER	2	
40	90387-06M43-00	COLLAR	2	
41	90480-13M24-00	GROMMET	2	
42	95380-06600-00	NUT, HEXAGON	1	
43	90159-06M03-00	SCREW, WITH WASHER	1	
44	95895-06016-00	BOLT, FLANGE	2	
45	68F-42771-00-00	APRON	1	
46	61A-42717-00-00	RUBBER, SEAL 2	4	
47	95895-06016-00	BOLT, FLANGE	9	
48	68F-42722-00-00	GASKET 2	1	
49	68F-12577-10-00	HOSE 2	1	X (25.3")
50	68F-12582-10-00	JOINT, HOSE 2	1	X (25.3")
51	68F-42718-00-00	RUBBER, SEAL 3	1	
52	68F-42753-00-00	FASTNER	1	AP
53	90464-20258-00	CLAMP	1	AP
54	6E5-42716-10-00	RUBBER, SEAL 1	1	
55	6R3-12580-00-00	.JOINT ASSY	1	FLUSHING KIT
56	90169-05M00-00	SCREW, TRUSS HEAD TAPPING	1	FLUSHING KIT
57	6R3-12572-00-00	.ADAPTER	1	FLUSHING KIT
58	90445-11M35-00	.HOSE (L540)	1	FLUSHING KIT
59	90465-11M10-00	CLAMP	2	FLUSHING KIT
60	68F-2415E-40-00	LABEL, CAUTION	1	
61	68F-42791-01-00	MARK 1	1	UR Z175, (L) Z200

Z175TXR 0405 / CONTROL



  
68F5100-E230

©2013 Yamaha Motor Corporation, U.S.A. All rights reserved.


## Part List

Z175TXR 0405 / CONTROL

REF - NO	PART NUMBER	PART NAME	QUANTITY	REMARKS
1	68F-48531-20-00	BRACKET, REMOTE CONTROL 1	1	
2	663-48538-00-00	CLAMP, CABLE 1	1	
3	91690-30010-00	PIN, SPRING	1	
4	97095-08016-00	BOLT	1	
5	92995-08600-00	WASHER	1	
6	68F-44117-01-1S	BRACKET	1	
7	97095-06020-00	BOLT	2	
8	97013-06012-00	BOLT	1	
9	92903-06600-00	WASHER, PLATE	1	
10	68F-44121-00-00	LEVER, SHIFT ROD	1	
11	68J-44122-01-00	BUSHING, SHIFT ROD LEVER	1	
12	90202-08M20-00	WASHER, PLATE	1	
13	90468-18008-00	CLIP	3	
14	6E5-48344-00-00	CABLE END, REMOTE CONTROL	1	
15	90386-06M12-00	BUSH	1	
16	6E5-44118-01-1S	BRACKET	1	
17	97013-08030-00	BOLT	2	
18	92903-08600-00	WASHER, PLATE	2	
19	93501-04M02-00	BALL	1	
20	90501-12082-00	SPRING, COMPRESSION	1	
21	648-42715-00-00	BUSHING	1	
22	93700-06M03-00	NIPPLE, GREASE	1	
23	6E5-44120-23-00	HANDLE GEAR SHIFT ASSY	1	X (25.3")
24	93210-09165-00	O-RING	1	
25	90386-16M66-00	BUSH	1	
26	90202-16061-00	WASHER, PLATE	2	
27	93410-16006-00	CIRCLIP	1	
28	67H-41632-00-00	LEVER, MAGNETO CONTROL	1	
29	6E5-48344-00-00	CABLE END, REMOTE CONTROL	1	
30	90468-18008-00	CLIP	1	
31	90119-06MA4-00	BOLT, WITH WASHER	1	
32	90201-06M31-00	WASHER, PLATE	1	
33	90206-10M04-00	WASHER, WAVE	1	
34	90387-06M29-00	COLLAR	1	
35	61A-41237-00-00	JOINT, LINK	1	
36	95380-05600-00	NUT	1	
37	682-41237-00-00	JOINT, LINK	1	
38	68F-41213-00-00	CAM, ACCEL	1	
39	90201-06M31-00	WASHER, PLATE	1	
40	90387-06M29-00	COLLAR	1	
41	90206-10M04-00	WASHER, WAVE	1	
42	90119-06MA4-00	BOLT, WITH WASHER	1	
43	68F-42744-00-00	STAY	1	
44	90157-06M11-00	SCREW, PAN HEAD	1	
45	95380-06600-00	NUT, HEXAGON	1	
46	688-44194-00-00	CAP	1	
47	60V-8259F-00-00	SWITCH ASSY	1	
48	61A-82588-01-00	PLATE	1	
49	97885-04016-00	SCREW, PAN HEAD	2	
50	92995-04100-00	WASHER	2	

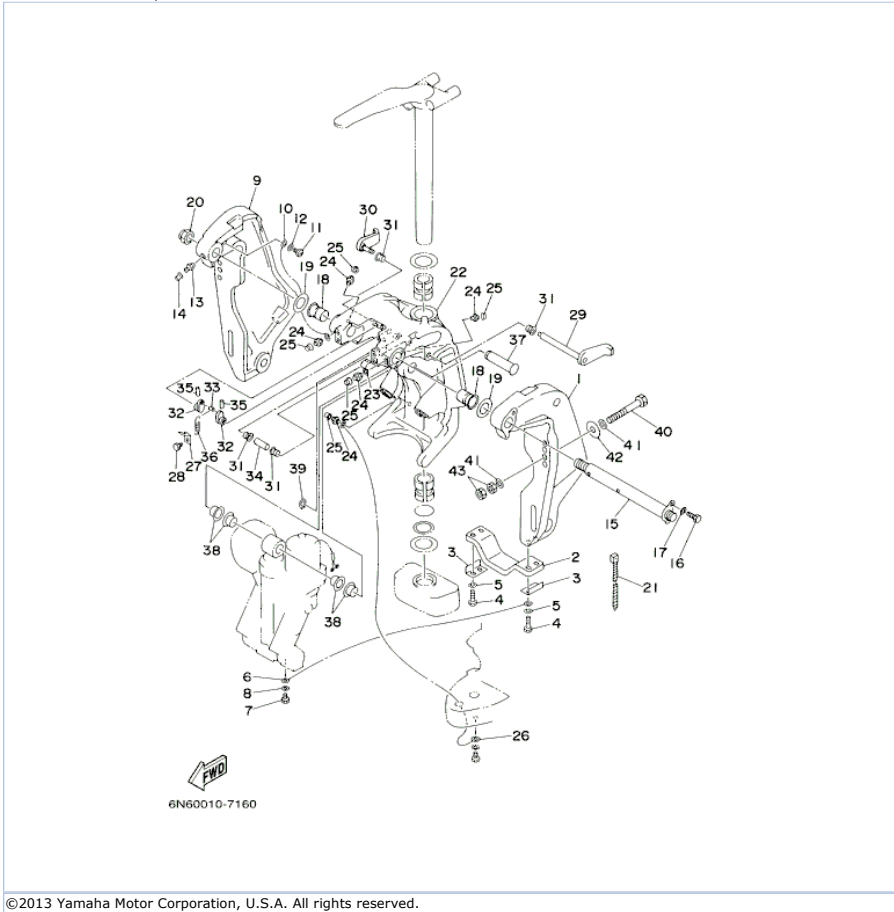
## Part Notes

Z175TXR 0405 / CONTROL

PART NUMBER	NOTE TEXT
93700-06M03-00 	OEM: This part number is among the Top 100 Most Popular Marine Maintenance Parts as of August 2013.

©2013 Yamaha Motor Corporation, U.S.A. All rights reserved.

Z175TXR 0405 / BRACKET 1



©2013 Yamaha Motor Corporation, U.S.A. All rights reserved.






## Part List

Z175TXR 0405 / BRACKET 1

REF - NO	PART NUMBER	PART NAME	QUANTITY	REMARKS
1	64E-43111-02-8D	BRACKET, CLAMP 1	1	
2	6G5-45251-02-00	ANODE	1	
3	6G5-44526-00-00	PLATE	2	
4	97095-06030-00	BOLT	4	
5	92995-06100-00	WASHER, SPRING	4	
6	6E5-82148-00-00	WIRE, LEAD 4	1	
7	97095-06010-00	BOLT	1	
8	92995-06600-00	WASHER	1	
9	64E-43112-02-8D	BRACKET, CLAMP 2	1	
10	6E5-82148-00-00	WIRE, LEAD 4	1	
11	97880-06012-00	SCREW, PAN HEAD	1	
12	92990-06600-00	WASHER, PLATE	1	
13	93700-06M03-00	NIPPLE, GREASE	1	
14	663-45119-00-00	CAP, GREASE NIPPLE	1	AP
15	64E-43131-01-00	BOLT, CLAMP BRACKET	1	
16	97095-08020-00	BOLT	1	
17	92995-08100-00	WASHER	1	
18	90386-25M31-00	BUSH	2	
19	90201-26M59-00	WASHER, PLATE	2	
20	90185-22M11-00	NUT, SELF-LOCKING	1	
21	90465-11M10-00	CLAMP	1	
22	64E-43311-20-8D	BRACKET, SWIVEL 1	1	X (25.3")
23	90465-08M63-00	CLAMP	1	
24	93700-06M03-00	NIPPLE, GREASE	5	
25	663-45119-00-00	CAP, GREASE NIPPLE	5	AP
26	6E5-82147-20-00	WIRE, LEAD 5	1	X (25.3")
27	6G5-43144-00-00	HOOK, SPRING	1	
28	97095-06010-00	BOLT	1	
29	6G5-43181-02-00	LEVER, TILT STOP 1	1	
30	6G5-43185-02-00	LEVER, TILT STOP 2	1	
31	90386-10M16-00	BUSH	4	
32	6G5-43148-00-00	COLLAR, DISTANCE	2	
33	90249-06M19-00	PIN	1	
34	90387-10M05-00	COLLAR	1	
35	91690-30020-00	PIN, SPRING	2	
36	90506-14M24-00	SPRING, TENSION	1	
37	64E-43126-00-00	PIN, UPPER SHOCK MOUNT	1	
38	90386-22M98-00	BUSH	4	
39	93410-22M11-00	CIRCLIP	1	
40	90101-12M77-00	BOLT (L:150MM)	2	UR
40	90101-12M05-00	BOLT (L:130MM)	4	UR
41	90201-13M01-00	WASHER, PLATE	12	
42	90201-12M05-00	WASHER, PLATE	6	
43	95380-12600-00	NUT	12	

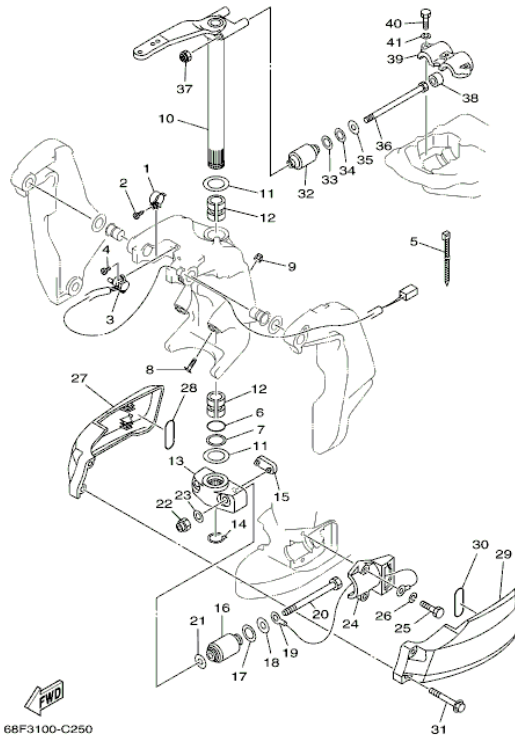
## Part Notes

Z175TXR 0405 / BRACKET 1

PART NUMBER	NOTE TEXT
6G5-45251-02-00 	OEM: This part number is among the Top 100 Most Popular Marine Maintenance Parts as of August 2013.
92995-06100-00 	OEM: This part number is among the Top 100 Most Popular Marine Maintenance Parts as of August 2013.
92990-06600-00 	OEM: This part number is among the Top 100 Most Popular Marine Maintenance Parts as of August 2013.
93700-06M03-00 	OEM: This part number is among the Top 100 Most Popular Marine Maintenance Parts as of August 2013.
93700-06M03-00 	OEM: This part number is among the Top 100 Most Popular Marine Maintenance Parts as of August 2013.

©2013 Yamaha Motor Corporation, U.S.A. All rights reserved.

Z175TXR 0405 / BRACKET 2



68F3100-C250

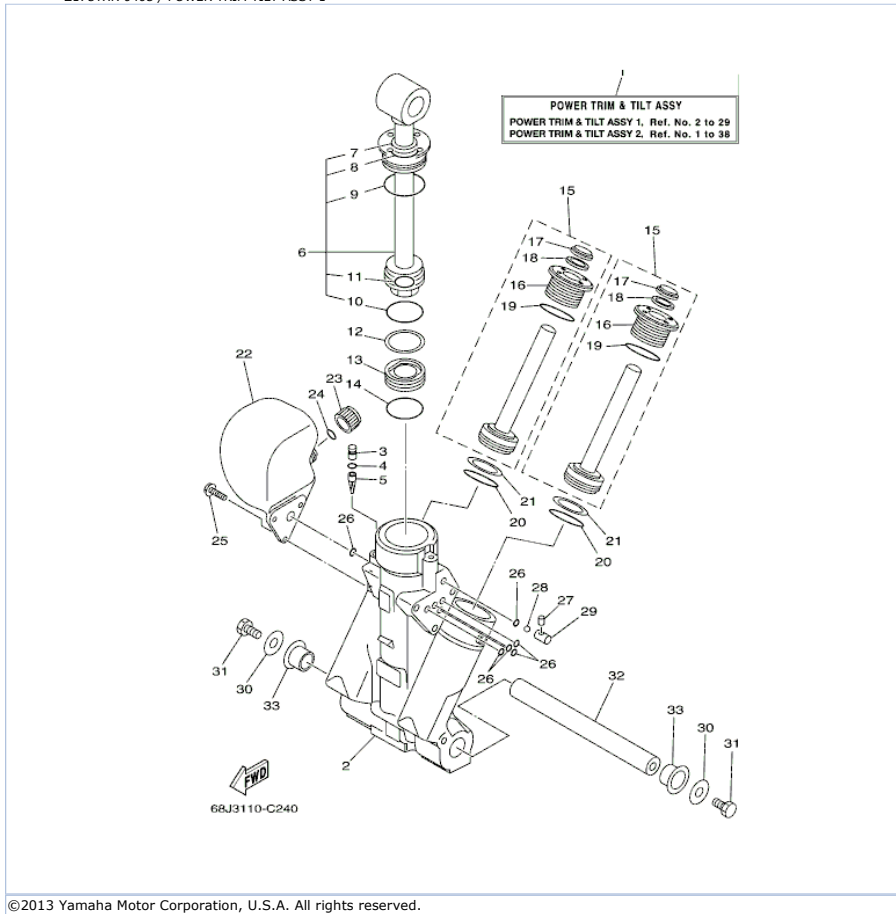
©2013 Yamaha Motor Corporation, U.S.A. All rights reserved.

## Part List

Z175TXR 0405 / BRACKET 2

REF - NO	PART NUMBER	PART NAME	QUANTITY	REMARKS
1	64E-43139-02-00	CAM, TRIM SENDER	1	
2	97780-60525-00	SCREW, TAPPING	1	
3	67H-83672-00-00	TRIM SENDER	1	
4	97885-06016-00	SCREW, PAN HEAD	2	
5	90465-11M10-00	CLAMP	3	
6	93210-37MH7-00	O-RING	1	
7	90202-40M47-00	WASHER, PLATE	1	
8	61A-43376-00-00	BOLT, THRUST RECEIVER	2	
9	95780-10300-00	NUT, FLANGE	2	
10	68F-42510-B0-8D	STEERING BRACKET ASSY	1	X (25.3")
11	90201-38M60-00	WASHER, PLATE	2	
12	90386-38M32-00	BUSH	2	
13	68F-44551-00-8D	HOUSING, LOWER MOUNT RUBBER 1	1	
14	93410-37M04-00	CIRCLIP	1	
15	6E5-44575-00-00	DAMPER, LOWER MOUNT RUBBER	1	
16	6G5-44555-00-94	MOUNT DAMPER, LOWER SIDE	2	
17	90202-32M19-00	WASHER, PLATE	2	
18	90201-16M55-00	WASHER, PLATE	2	
19	6E5-82149-00-00	WIRE, LEAD 3	1	
20	90109-14006-00	BOLT	2	
21	90201-15M58-00	WASHER, PLATE	2	
22	90185-14M00-00	NUT, SELF-LOCKING	2	
23	92995-14600-00	WASHER	2	
24	68F-44552-00-8D	HOUSING, LOWER MOUNT RUBBER	2	
25	97095-10045-00	BOLT	4	
26	92995-10100-00	WASHER	4	
27	68F-44553-00-4D	COVER, LOWER MOUNT	1	
28	93210-41042-00	O-RING	1	
29	68F-44556-00-4D	COVER, LOWER MOUNT 2	1	
30	93210-41042-00	O-RING	1	
31	90119-06MA8-00	BOLT, WITH WASHER	2	
32	6G5-44514-00-94	MOUNT DAMPER, UPPER SIDE	2	
33	90201-26M57-00	WASHER, PLATE	2	
34	90202-26M18-00	WASHER, PLATE	2	
35	90201-14M56-00	WASHER, PLATE	2	
36	90109-12007-00	BOLT	2	
37	90185-12M12-00	NUT, SELF-LOCKING	2	
38	663-44575-00-00	DAMPER, LOWER MOUNT RUBBER	2	
39	6E5-44511-00-5B	COVER, UPPER MOUNT	1	
40	97095-10045-00	BOLT	3	
41	92995-10100-00	WASHER	3	

Z175TXR 0405 / POWER TRIM TILT ASSY 1



©2013 Yamaha Motor Corporation, U.S.A. All rights reserved.







## Part List

Z175TXR 0405 / POWER TRIM TILT ASSY 1

REF - NO	PART NUMBER	PART NAME	QUANTITY	REMARKS
1	63P-43800-00-4D	POWER TRIM & TILT ASSY	1	
2	64E-43825-01-00	HOUSING, TRIM & TILT	1	
3	64E-43883-00-00	PLUG 2	1	
4	93210-10M74-00	O-RING	1	
5	64E-43817-00-00	FILTER 2	1	
6	63P-43810-00-00	TILT PISTON SUB ASSY	1	
7	64E-43898-00-00	.SEAL, DUST 2	1	
8	64E-43867-00-00	.O-RING	1	
9	64E-43866-00-00	.O-RING	1	
10	6E5-43862-00-00	.O-RING	1	
11	64E-43883-00-00	.O-RING	1	
12	6E5-43872-00-00	RING, BACK UP	1	
13	6E5-43814-02-00	PISTON, FREE	1	
14	6E5-43862-00-00	O-RING	1	
15	64E-43820-00-00	PISTON SUB ASSEMBLY	2	
16	64E-43821-00-00	.SCREW, TRIM CYLINDER END	1	
17	64E-43822-00-00	.SEAL, TRIM DUST	1	
18	64E-43843-00-00	.SEAL, TRIM DOWN	1	
19	6G5-43864-00-00	.O-RING	1	
20	6E5-43864-00-00	O-RING	2	
21	6E5-43874-01-00	RING, BACK UP	2	
22	64E-43828-00-00	BODY, RESERVOIR	1	
23	64E-43829-00-00	PLUG, RESERVOIR	1	
24	64E-43897-00-00	O-RING	1	
25	64E-4388E-00-00	BOLT ,SCREW (L:14MM)	3	
26	64E-43869-00-00	O-RING	6	
27	64E-4381G-00-00	PIN	1	
28	6E5-43858-00-00	BALL	1	
29	64E-4382G-00-00	VALVE, SEAT	1	
30	90201-08M14-00	WASHER, PLATE	2	
31	97080-08016-00	BOLT	2	
32	64E-43818-01-00	PIN, LOWER SHOCK MOUNT	1	
33	90386-22M98-00	BUSH	2	

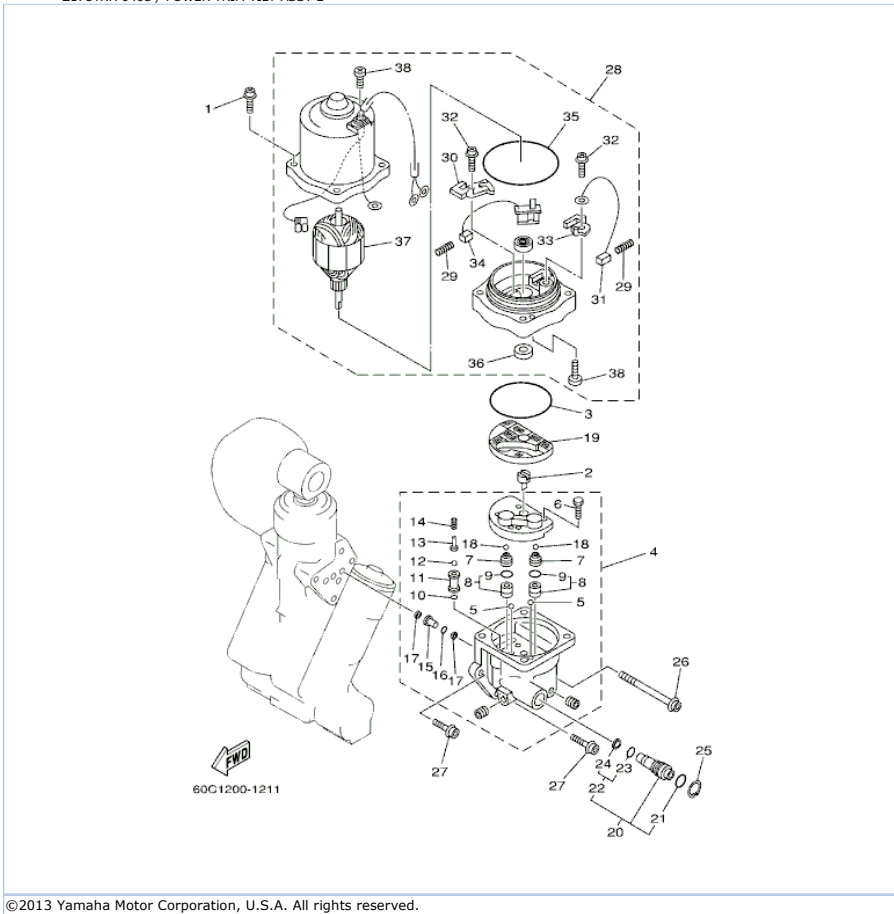
## Part Notes

Z175TXR 0405 / POWER TRIM TILT ASSY 1

PART NUMBER	NOTE TEXT
64E-43822-00-00 	OEM: This part number is among the Top 100 Most Popular Marine Maintenance Parts as of August 2013.
64E-43843-00-00 	OEM: This part number is among the Top 100 Most Popular Marine Maintenance Parts as of August 2013.
6G5-43864-00-00 	OEM: This part number is among the Top 100 Most Popular Marine Maintenance Parts as of August 2013.
64E-43869-00-00 	OEM: This part number is among the Top 100 Most Popular Marine Maintenance Parts as of August 2013.

©2013 Yamaha Motor Corporation, U.S.A. All rights reserved.

Z175TXR 0405 / POWER TRIM TILT ASSY 2

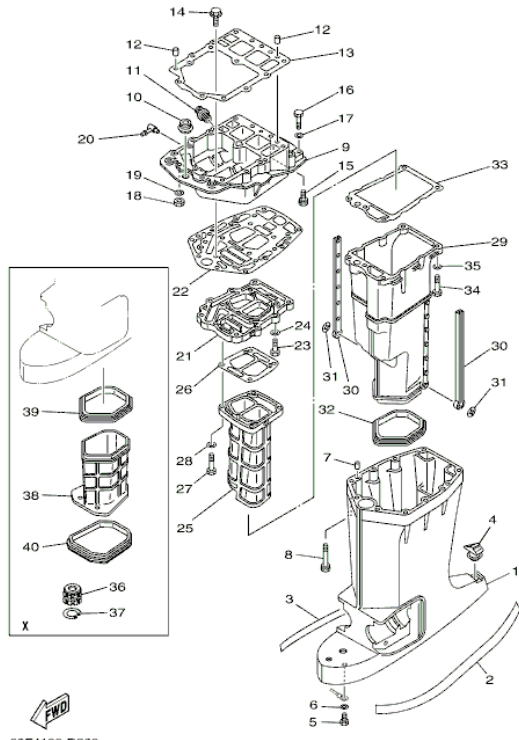


## Part List

Z175TXR 0405 / POWER TRIM TILT ASSY 2

REF - NO	PART NUMBER	PART NAME	QUANTITY	REMARKS
1	64E-4388E-10-00	BOLT ,SCREW (L:14MM)	4	
2	64E-43831-00-00	CONNECTOR, SHAFT	1	
3	64E-43868-00-00	O-RING	1	
4	64E-43830-00-00	GEAR PUMP ASSY	1	
5	72X-43858-00-00	.BALL	2	
6	64E-43843-00-00	.SCREW, VALVE LOCK	4	
7	64E-43841-00-00	.PISTON, SHUTTLE	2	
8	64E-43802-00-00	.VALVE SUB ASSY	2	
9	6E5-43896-00-00	..O-RING	1	
10	6G5-43863-00-00	.O-RING	1	
11	64E-43851-00-00	.SEAT, RELIEF VALVE	1	
12	64E-43858-00-00	.BALL	1	
13	64E-43859-00-00	.PIN, VALVE SUPPORT	1	
14	64E-43855-00-00	.SPRING, UP RELIEF	1	
15	64E-43850-00-00	.VALVE SUB ASSY	1	
16	64E-43865-00-00	.O-RING	1	
17	64E-43816-00-00	.FILTER 1	2	
18	64E-43858-00-00	.BALL	2	
19	64E-43817-10-00	FILTER 2	1	
20	64E-43860-00-00	MANUAL VALVE SUB-ASSY	1	
21	72X-85075-L0-00	.O-RING	1	
22	64E-43827-00-00	.RING SET	1	
23	64E-4387A-00-00	..O-RING	1	
24	64E-43873-00-00	..RING, BACK UP	1	
25	64E-43875-00-00	RING, SNAP	1	
26	64E-43879-10-00	SCREW, WITH WASHER	1	
27	64E-43879-00-00	SCREW, WITH WASHER	2	
28	67H-43880-01-00	MOTOR ASSY	1	
29	6H1-4386K-10-00	.SPRING, BRUSH	2	
30	64E-43801-00-00	.HOLDER, BRUSH	1	
31	64E-43891-00-00	.BRUSH 1	1	
32	97607-04310-00	.SCREW,WITH WASHER	2	
33	64E-4380F-00-00	.HOLDER, BRUSH 2	1	
34	64E-43892-00-00	.BREAKER COMP (BRUSH 2)	1	
35	6G5-43865-00-00	.O-RING	1	
36	93102-08M43-00	.OIL SEAL	1	
37	64E-43805-00-00	.ARMATURE ASSY	1	
38	64E-43843-10-00	.SCREW, VALVE LOCK	3	

Z175TXR 0405 / UPPER CASING



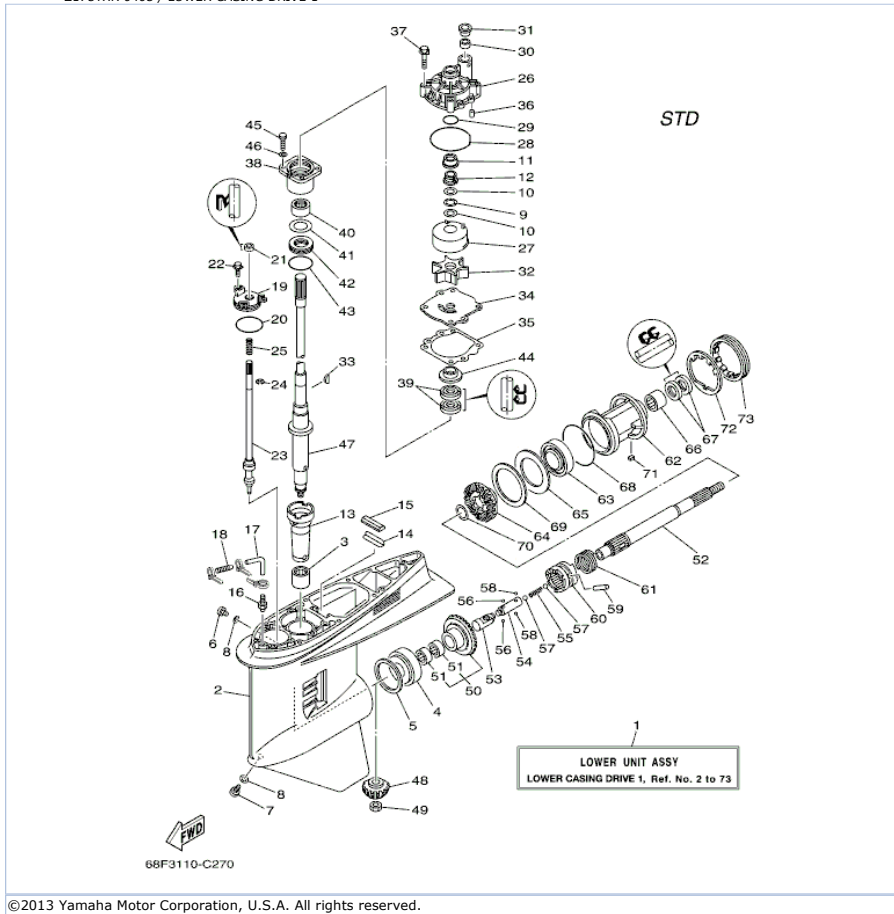
©2013 Yamaha Motor Corporation, U.S.A. All rights reserved.

## Part List

Z175TXR 0405 / UPPER CASING

REF - NO	PART NUMBER	PART NAME	QUANTITY	REMARKS
1	6E5-45111-23-8D	CASING, UPPER	1	X (25.3")
2	6R3-42791-41-00	MARK 1	1	
3	6R3-42792-41-00	MARK 2	1	
4	6E5-45155-00-00	CAP	1	
5	97095-06010-00	BOLT	1	
6	92995-06600-00	WASHER	1	
7	93608-12M05-00	PIN, DOWEL	2	
8	90119-08078-00	BOLT, WITH WASHER	6	
9	6G5-41137-11-94	GUIDE, EXHAUST	1	FLUSHING KIT
10	6E5-42724-00-00	GROMMET	1	
11	6G5-12581-00-00	JOINT, HOSE 1	1	
12	93608-12M05-00	PIN, DOWEL	2	
13	68F-45113-00-00	.GASKET, UPPER CASING	1	
14	90119-08M79-00	BOLT, WITH WASHER	2	
15	90119-08077-00	BOLT, WITH WASHER	4	
16	97095-08045-00	.BOLT	2	
17	92995-08100-00	WASHER	2	
18	95380-08700-00	NUT	2	
19	92995-08100-00	WASHER	2	
20	6H1-11372-00-00	.NIPPLE, HOSE	1	FLUSHING KIT
21	6G5-41131-01-5B	MANIFOLD, EXT. 1	1	
22	6G5-45114-A1-00	.GASKET, UPPER CASING	1	
23	97095-08030-00	BOLT	4	
24	92995-08600-00	WASHER	4	
25	64D-41132-00-5B	MANIFOLD, EXHAUST	1	
26	6G5-41134-A1-00	.GASKET, EXHAUST MANIFOLD	1	
27	97095-08045-00	.BOLT	4	
28	92995-08600-00	WASHER	4	
29	6E5-14711-01-5B	MUFFLER 1	1	
30	6E5-14737-00-00	DAMPER, MUFFLER	2	
31	90183-05M02-00	NUT, SPRING	2	
32	6E5-45123-00-00	.GASKET, MUFFLER	1	
33	6E5-41135-A0-00	.GASKET, EXHAUST MANIFOLD	1	
34	97095-08045-00	.BOLT	5	
35	92995-08600-00	WASHER	5	
36	6E5-45318-00-00	BUSHING, DRIVE SHAFT	1	X (25.3")
37	93420-36M01-00	CIRCLIP	1	X (25.3")
38	64D-14721-20-5B	MUFFLER 2	1	X (25.3")
39	64D-45123-00-00	GASKET, MUFFLER	1	X (25.3")
40	64D-45375-00-00	DAMPER, SEAL	1	X (25.3")

Z175TXR 0405 / LOWER CASING DRIVE 1



©2013 Yamaha Motor Corporation, U.S.A. All rights reserved.

## Part List











Z175TXR 0405 / LOWER CASING DRIVE 1

REF - NO	PART NUMBER	PART NAME	QUANTITY	REMARKS
1	64E-45300-22-8D	LOWER UNIT ASSY	1	X (25.3"), RH
2	6J9-45301-05-8D	CASING, LOWER	1	
3	93311-928U5-00	BEARING	1	
4	93332-000V3-00	BEARING	1	
5	6G5-45567-01-00	SHIM (T:0.10MM)	1	UR
5	6G5-45567-10-00	SHIM (T:0.12MM)	1	UR
5	6G5-45567-20-00	SHIM (T:0.15MM)	1	UR
5	6G5-45567-60-00	SHIM (T:0.50MM)	1	UR
5	6G5-45567-40-00	SHIM (T:0.30MM)	1	UR
5	6G5-45567-50-00	SHIM (T:0.40MM)	1	UR
5	6G5-45567-30-00	SHIM (T:0.18MM)	1	UR
6	90340-08002-00	PLUG, STRAIGHT SCREW	1	
7	688-45341-10-00	PLUG, DRAIN	1	
8	90430-08020-00	.GASKET	2	
9	90206-22M19-00	WASHER, WAVE	1	
10	90201-22M01-00	WASHER, PLATE	2	
11	61A-45527-00-00	COLLAR, DRIVE SHAFT	1	
12	61A-45538-00-00	SPACER 1	1	
13	6G5-45536-01-00	SLEEVE, DRIVE SHAFT	1	
14	64D-45376-00-94	GUIDE, SEAL DAMPER	1	X (25.3")
15	688-45375-00-00	DAMPER, SEAL	1	
16	6E5-45378-00-00	NIPPLE, HOSE	1	
17	90445-07ME9-00	HOSE (L120)	1	X (25.3")
18	6E5-83558-10-00	END, NIPPLE	1	
19	6E5-45321-00-00	PLATE	1	
20	93210-58144-00	.O-RING	1	
21	93106-09014-00	.OIL SEAL	1	
22	90119-06M10-00	BOLT, WITH WASHER	3	
23	6G5-44150-02-00	SHIFT CAM ASSY	1	
24	99001-08600-00	CIRCLIP	1	
25	90501-11M10-00	SPRING, COMPRESSION	1	
26	61A-44311-01-00	HOUSING, WATER PUMP	1	
27	61A-44322-02-00	.INSERT, CARTRIDGE	1	
28	93210-86M38-00	.O-RING	1	
29	93210-37160-00	.O-RING	1	
30	6E5-44365-00-00	DAMPER, WATER SEAL 1	1	
31	6E5-44312-00-00	COVER, WATER PUMP HOUSING	1	
32	6E5-44352-01-00	.IMPELLER	1	
33	90280-04M05-00	.KEY, WOODRUFF	1	
34	6G5-44323-00-00	.OUTER PLATE, CARTRIDGE	1	
35	6E5-44315-A0-00	.GASKET, WATER PUMP	1	
36	93606-12019-00	.PIN, DOWEL	2	
37	90119-08M14-00	.BOLT, WITH WASHER	4	
38	6E5-45331-00-94	HOUSING, BEARING	1	
39	93101-28M16-00	.OIL SEAL	2	
40	93317-330U2-00	BEARING	1	
41	6E5-45587-01-00	SHIM (T:0.10MM)	1	UR
41	6E5-45587-10-00	SHIM (T:0.12MM)	1	UR
41	6E5-45587-20-00	SHIM (T:0.15MM)	1	UR
41	6E5-45587-60-00	SHIM (T:0.50MM)	1	UR
41	6E5-45587-40-00	SHIM (T:0.30MM)	1	UR
41	6E5-45587-50-00	SHIM (T:0.40MM)	1	UR
41	6E5-45587-30-00	SHIM (T:0.18MM)	1	UR
42	93341-930V2-00	BEARING	1	
43	93210-55M14-00	.O-RING	1	
44	6E5-45344-00-00	COVER, OIL SEAL	1	
45	97095-08025-00	BOLT	4	
46	92995-08600-00	WASHER	4	
47	6G5-45501-21-00	DRIVE SHAFT COMP.	1	X (25.3")
48	6G5-45551-10-00	PINION (14T)	1	
49	90170-16M01-00	NUT	1	
50	6G5-45560-10-00	GEAR 1 (26T)	1	
51	93315-425V3-00	.BEARING	2	
52	6J9-45611-01-00	SHAFT, PROPELLER	1	
53	6E5-45641-03-00	SHIFTER	1	
54	6E5-45634-01-00	SLIDE, SHIFT	1	
55	90501-16M37-00	SPRING, COMPRESSION	1	
56	93507-32009-00	.BALL	2	
57	93511-32017-00	BALL	2	
58	93503-16003-00	BALL	2	
59	90250-08M07-00	PIN, STRAIGHT	1	
60	6G5-45631-10-00	CLUTCH, DOG	1	
61	6E5-45633-01-00	RING, CROSS PIN	1	
62	6J9-45332-00-94	HOUSING, BEARING	1	
63	93306-209U0-00	BEARING	1	
64	6G5-45571-02-00	GEAR 2 (26T)	1	
65	6G5-45576-10-00	WASHER, THRUST 2	1	

66	93315-43061-00	BEARING	1	
67	93101-30M17-00	.OIL SEAL	2	
68	93210-97M55-00	.O-RING	1	
69	6G5-45577-02-00	SHIM (T:0.10MM)	1	UR
69	6G5-45577-10-00	SHIM (T:0.12MM)	1	UR
69	6G5-45577-20-00	SHIM (T:0.15MM)	1	UR
69	6G5-45577-60-00	SHIM (T:0.50MM)	1	UR
69	6G5-45577-40-00	SHIM (T:0.30MM)	1	UR
69	6G5-45577-50-00	SHIM (T:0.40MM)	1	UR
69	6G5-45577-30-00	SHIM (T:0.18MM)	1	UR
70	90201-30M92-00	WASHER, PLATE	1	
71	90282-04M00-00	KEY, STRAIGHT	1	
72	6G5-45383-01-00	WASHER, CLAW	1	
73	6G5-45384-00-00	NUT	1	

## Part Notes

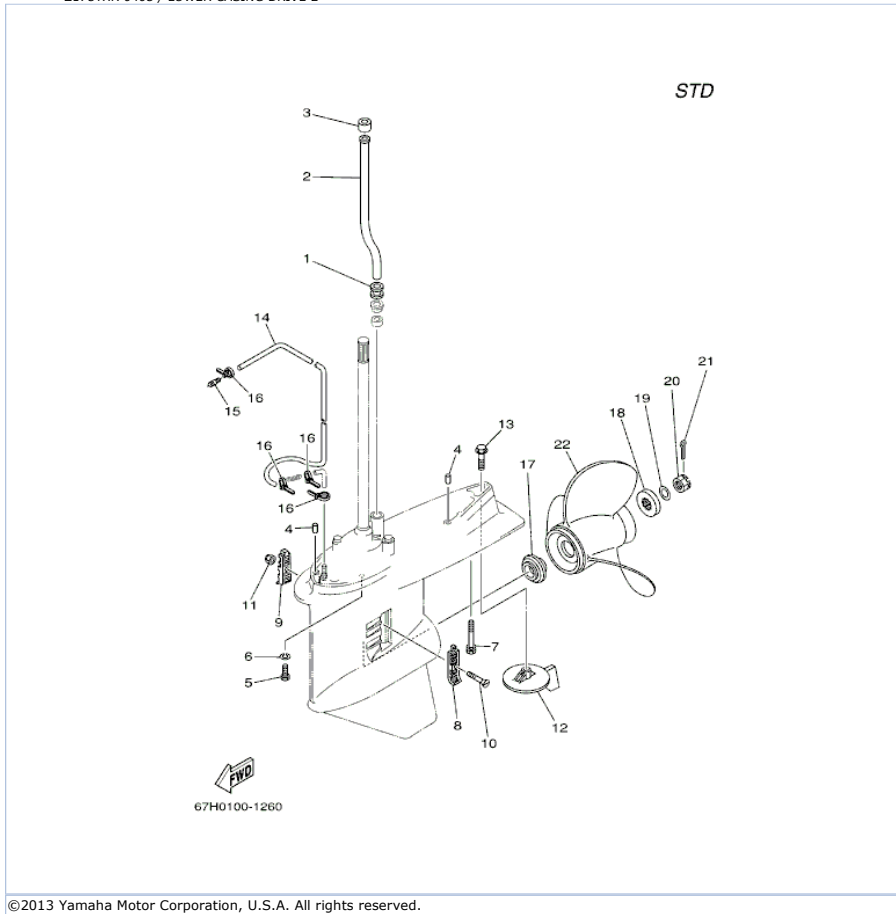
Z175TXR 0405 / LOWER CASING DRIVE 1

PART NUMBER		NOTE TEXT
90430-08020-00		OEM: This part number is among the Top 100 Most Popular Marine Maintenance Parts as of August 2013.
90201-22M01-00		OEM: This part number is among the Top 100 Most Popular Marine Maintenance Parts as of August 2013.
61A-45527-00-00		OEM: This part number is among the Top 100 Most Popular Marine Maintenance Parts as of August 2013.
61A-45538-00-00		OEM: This part number is among the Top 100 Most Popular Marine Maintenance Parts as of August 2013.
93106-09014-00		OEM: This part number is among the Top 100 Most Popular Marine Maintenance Parts as of August 2013.
61A-44311-01-00		OEM: This part number is among the Top 100 Most Popular Marine Maintenance Parts as of August 2013.
93210-86M38-00		OEM: This part number is among the Top 100 Most Popular Marine Maintenance Parts as of August 2013.
6E5-44352-01-00		OEM: This part number is among the Top 100 Most Popular Marine Maintenance Parts as of August 2013.
93101-28M16-00		OEM: This part number is among the Top 100 Most Popular Marine Maintenance Parts as of August 2013.
93101-30M17-00		OEM: This part number is among the Top 100 Most Popular Marine Maintenance Parts as of August 2013.

©2013 Yamaha Motor Corporation, U.S.A. All rights reserved.



Z175TXR 0405 / LOWER CASING DRIVE 2






## Part List

Z175TXR 0405 / LOWER CASING DRIVE 2

REF - NO	PART NUMBER	PART NAME	QUANTITY	REMARKS
1	6E5-44366-00-00	DAMPER, WATER SEAL 2	1	
2	6E5-44361-20-00	TUBE, WATER 1	1	X (25.3")
3	6E5-44365-00-00	DAMPER, WATER SEAL 1	1	
4	93608-12M05-00	PIN, DOWEL	2	
5	97075-10045-00	BOLT	6	
6	92995-10100-00	WASHER	6	
7	90119-10M89-00	BOLT, WITH WASHER	1	
8	6J9-45214-00-00	COVER, WATER INLET 1	1	
9	6J9-45215-00-00	COVER, WATER INLET 2	1	
10	90152-05M08-00	SCREW, COUNTERSUNK	1	
11	90185-05002-00	NUT, NYLON	1	
12	6J9-45371-01-00	TAB-TRIM	1	
13	90105-10M00-00	BOLT, FLANGE	1	
14	90445-07M33-00	HOSE (L1080)	1	
15	6E5-83558-00-00	END, NIPPLE	1	
16	90465-11M10-00	CLAMP	4	
17	6E5-45987-01-00	SPACER 1	1	
18	688-45997-01-00	SPACER 2	1	
19	92990-18200-00	WASHER	1	
20	90171-18M04-00	NUT, CASTLE	1	
21	91490-40030-00	PIN, COTTER	1	
22	6G5-45941-00-98	PROPELLER (3X15-1/4"X15"-M)	1	UR
22	6R4-45970-A1-00	PROPELLER (3X15-1/4"X19"-M)	1	UR
22	6G5-45949-00-98	PROPELLER (3X13-1/2"X23"-M)	1	UR
22	6G5-45972-02-98	PROPELLER (3X13-3/4"X21"-M)	1	UR
22	6G5-45976-01-98	PROPELLER (3X13-3/8"X23"-M)	1	UR
22	6G5-45930-00-98	PROPELLER (3X13-3/8"X25"-M)	1	UR
22	6G5-45952-00-98	PROPELLER (3X14-5/8"X16"-M)	1	UR
22	6G5-45947-01-98	PROPELLER (3X14-1/2"X17"-M)	1	UR
22	6G5-45970-02-98	PROPELLER (3X15-1/4"X15"-M)	1	UR
22	6G5-45932-00-98	PROPELLER (3X15-3/4"X13"-M)	1	UR
22	6G5-45974-03-98	PROPELLER (3X13-3/4"X19"-M2)	1	UR
22	6G5-45978-03-98	PROPELLER (3X13-3/4"X17"-M2)	1	UR
22	6G5-45943-01-98	PROPELLER (3X13-3/4"X21"-M)	1	UR
22	6R4-45976-A0-00	PROPELLER (3X14-1/2"X15"-M)	1	UR
22	6R4-45978-A0-00	PROPELLER (3X15-1/4"X17"-M)	1	UR
22	6R4-45972-A0-00	PROPELLER (3X14-7/8"X21"-M)	1	UR
22	6R4-45974-A0-00	PROPELLER (3X14-1/2"X23"-M)	1	UR
22	6G5-45945-01-98	PROPELLER (3X14"X19"-M)	1	UR

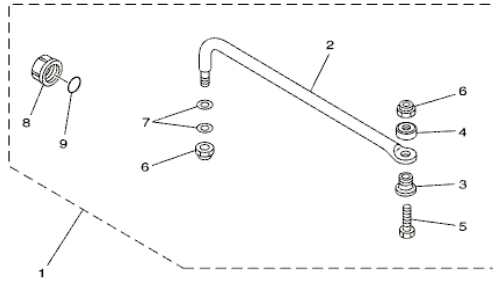
## Part Notes

Z175TXR 0405 / LOWER CASING DRIVE 2

PART NUMBER	NOTE TEXT
6J9-45371-01-00 	OEM: This part number is among the Top 100 Most Popular Marine Maintenance Parts as of August 2013.
90105-10M00-00 	OEM: This part number is among the Top 100 Most Popular Marine Maintenance Parts as of August 2013.
91490-40030-00 	OEM: This part number is among the Top 100 Most Popular Marine Maintenance Parts as of August 2013.

©2013 Yamaha Motor Corporation, U.S.A. All rights reserved.

Z175TXR 0405 / STEERING GUIDE ATTACHMENT



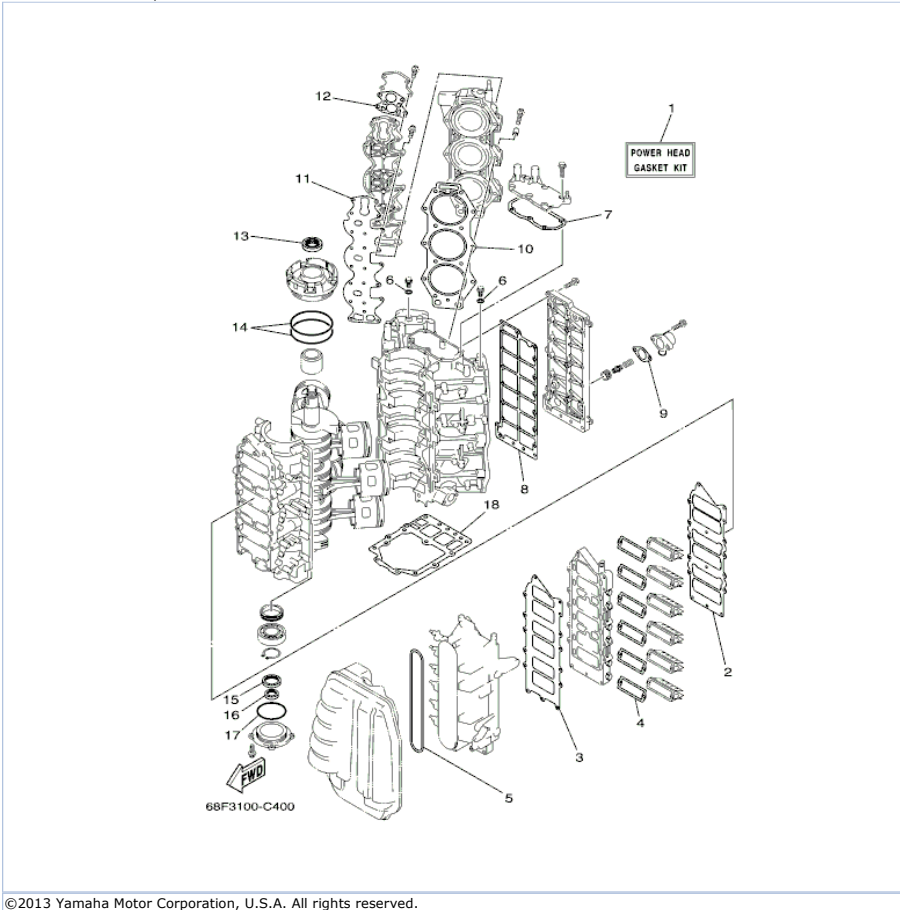
67H0100-9290

## Part List

Z175TXR 0405 / STEERING GUIDE ATTACHMENT

REF - NO	PART NUMBER	PART NAME	QUANTITY	REMARKS
1	6E5-61350-02-00	STEERING GUIDE ATTACHMENT KIT	1	AP
2	6E5-61351-01-00	.ROD, STEERING LINK	1	
3	90387-10M61-00	.COLLAR	1	
4	90560-12M01-00	.SPACER	1	
5	6E5-61355-00-00	.BOLT	1	
6	90185-09M01-00	.NUT, SELF-LOCKING	2	
7	90201-10M20-00	.WASHER, PLATE	2	
8	6E5-43145-01-00	.CAP, CLAMP BRACKET	1	
9	93210-16275-00	.O-RING	1	

Z175TXR 0405 / REPAIR KIT 1



©2013 Yamaha Motor Corporation, U.S.A. All rights reserved.


## Part List

Z175TXR 0405 / REPAIR KIT 1

REF - NO	PART NUMBER	PART NAME	QUANTITY	REMARKS
1	68F-W0001-01-00	POWER HEAD GASKET KIT	1	
2	65L-13645-00-00	.GASKET, MANIFOLD 1	1	
3	65L-13646-00-00	.GASKET, MANIFOLD 2	1	
4	61A-13621-A0-00	.GASKET, VALVE SEAT	6	
5	60V-14476-00-00	.SEAL	1	
6	90430-14115-00	.GASKET	2	
7	68F-11381-00-00	.GASKET 1	1	
8	68F-41114-00-00	.GASKET, EXHAUST OUTER COVER	1	
9	6G5-11382-A1-00	.GASKET 2	1	
10	68F-11181-00-00	.GASKET, CYLINDER HEAD 1	2	
11	68F-11193-01-00	.GASKET, HEAD COVER 1	2	
12	688-12414-A1-00	.GASKET, COVER	2	
13	93102-40M14-00	.OIL SEAL	1	
14	93211-04001-00	.O-RING	2	
15	93102-35M61-00	.OIL SEAL	1	
16	93101-22M15-00	.OIL SEAL	1	
17	93210-74M35-00	.O-RING	1	
18	68F-45113-00-00	.GASKET, UPPER CASING	1	

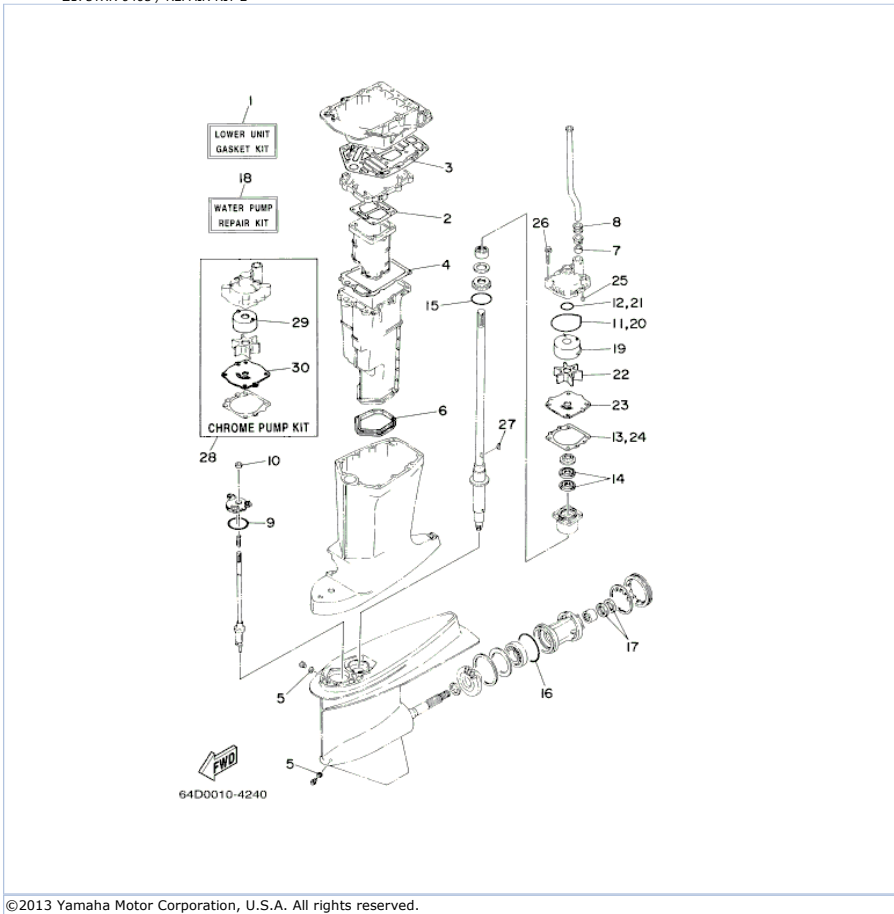
## Part Notes

Z175TXR 0405 / REPAIR KIT 1

PART NUMBER	NOTE TEXT
688-12414-A1-00 	OEM: This part number is among the Top 100 Most Popular Marine Maintenance Parts as of August 2013.

©2013 Yamaha Motor Corporation, U.S.A. All rights reserved.

Z175TXR 0405 / REPAIR KIT 2



©2013 Yamaha Motor Corporation, U.S.A. All rights reserved.





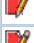


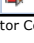
## Part List

Z175TXR 0405 / REPAIR KIT 2

REF - NO	PART NUMBER	PART NAME	QUANTITY	REMARKS
1	6G5-W0001-C1-00	LOWER UNIT GASKET KIT	1	
2	6G5-41134-A1-00	.GASKET, EXHAUST MANIFOLD	1	
3	6G5-45114-A1-00	.GASKET, UPPER CASING	1	
4	6E5-41135-A0-00	.GASKET, EXHAUST MANIFOLD	1	
5	90430-08020-00	.GASKET	2	
6	6E5-45123-00-00	.GASKET, MUFFLER	1	
7	6E5-44365-00-00	.DAMPER, WATER SEAL 1	1	
8	6E5-44366-00-00	.DAMPER, WATER SEAL 2	1	
9	93210-58144-00	.O-RING	1	
10	93106-09014-00	.OIL SEAL	1	
11	93210-86M38-00	.O-RING	1	
12	93210-37160-00	.O-RING	1	
13	6E5-44315-A0-00	.GASKET, WATER PUMP	1	
14	93101-28M16-00	.OIL SEAL	2	
15	93210-55M14-00	.O-RING	1	
16	93210-97M55-00	.O-RING	1	
17	93101-30M17-00	.OIL SEAL	2	
18	61A-W0078-A3-00	WATER PUMP REPAIR KIT	1	
19	61A-44322-02-00	.INSERT, CARTRIDGE	1	
20	93210-86M38-00	.O-RING	1	
21	93210-37160-00	.O-RING	1	
22	6E5-44352-01-00	.IMPELLER	1	
23	6G5-44323-00-00	.OUTER PLATE, CARTRIDGE	1	
24	6E5-44315-A0-00	.GASKET, WATER PUMP	1	
25	93606-12019-00	.PIN, DOWEL	2	
26	90119-08M14-00	.BOLT, WITH WASHER	4	
27	90280-04M05-00	.KEY, WOODRUFF	1	
28	61A-W0078-2A-00	CHROME PUMP KIT	1	
29	6R3-44322-42-00	.INSERT, CARTRIDGE	1	
30	6G5-44323-40-00	.OUTER PLATE, CARTRIDGE	1	

## Part Notes

Z175TXR 0405 / REPAIR KIT 2

PART NUMBER	NOTE TEXT
90430-08020-00 	OEM: This part number is among the Top 100 Most Popular Marine Maintenance Parts as of August 2013.
93106-09014-00 	OEM: This part number is among the Top 100 Most Popular Marine Maintenance Parts as of August 2013.
93210-86M38-00 	OEM: This part number is among the Top 100 Most Popular Marine Maintenance Parts as of August 2013.
93101-28M16-00 	OEM: This part number is among the Top 100 Most Popular Marine Maintenance Parts as of August 2013.
93101-30M17-00 	OEM: This part number is among the Top 100 Most Popular Marine Maintenance Parts as of August 2013.
61A-W0078-A3-00 	OEM: This part number is among the Top 100 Most Popular Marine Maintenance Parts as of August 2013.
93210-86M38-00 	OEM: This part number is among the Top 100 Most Popular Marine Maintenance Parts as of August 2013.
6E5-44352-01-00 	OEM: This part number is among the Top 100 Most Popular Marine Maintenance Parts as of August 2013.

©2013 Yamaha Motor Corporation, U.S.A. All rights reserved.



Z175TXR 0405 / MODELS IN THIS CATALOG

Z150TXR 6G4-1015800~1017560  
(68H5)

LZ150TXR 6K0-1000996~1001111  
(68K5)

Z175TXR 6G5-1000879~1001029  
(68L5)

Z200TXR 6G6-1024935~1028944  
(68F5)

LZ200TXR 6K1-1004053~1005101  
(68G5)

**ALL THESE MODELS USE THIS SAME PARTS CATALOG.  
BE SURE TO ORDER ONLY THOSE PARTS APPLICABLE  
TO THE DESIRED MODEL.**

©2013 Yamaha Motor Corporation, U.S.A. All rights reserved.

©2013 Yamaha Motor Corporation, U.S.A. All rights reserved.