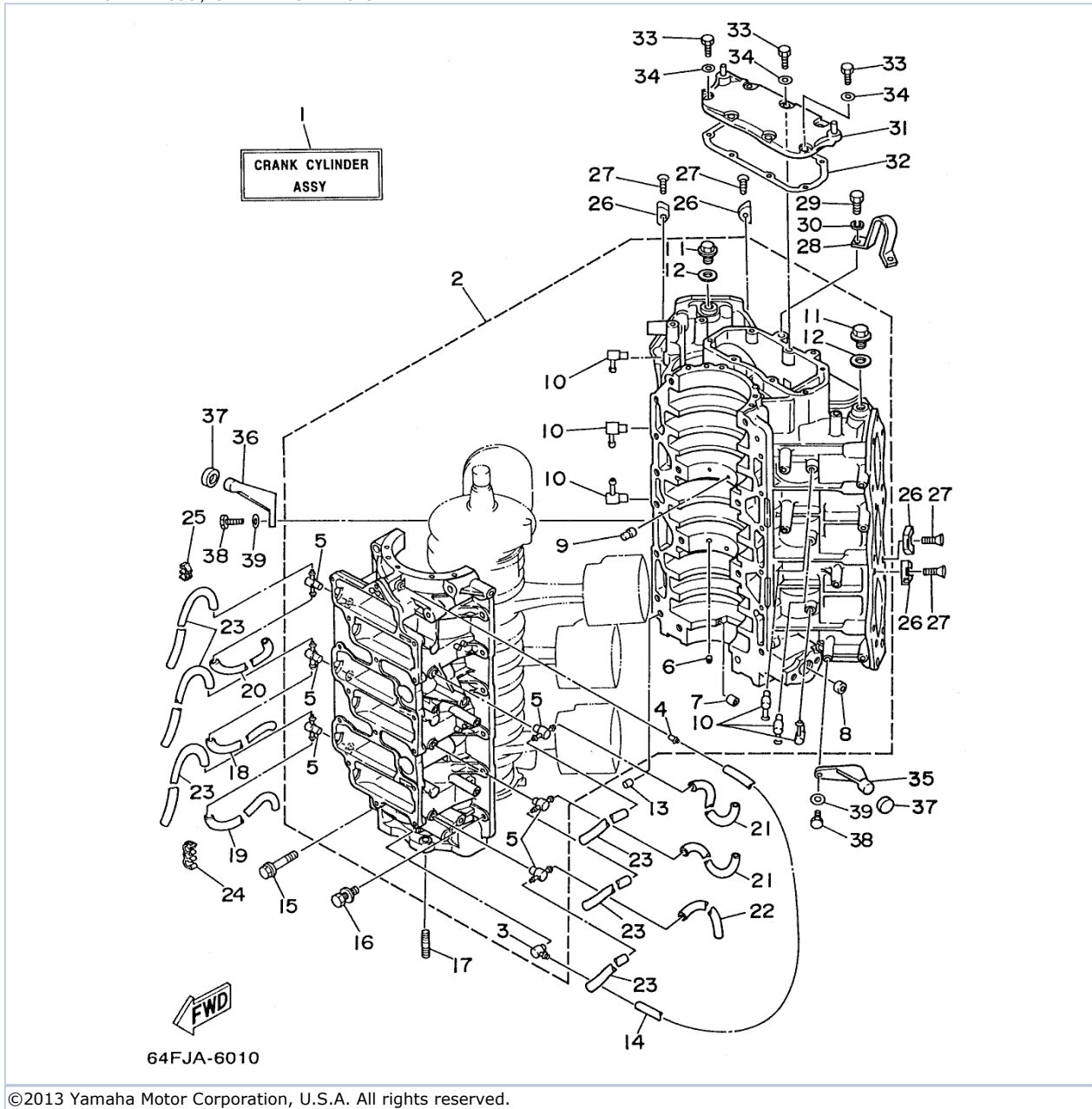


P175TLRW 1998 / CYLINDER CRANKCASE 1





## Part List

P175TLRW 1998 / CYLINDER CRANKCASE 1

REF - NO	PART NUMBER	PART NAME	QUANTITY	REMARKS
1	64L-W0090-11-4D	CRANK CYLINDER ASSEMBLY	1	
1	64K-W0090-11-4D	CRANK CYLINDER ASSEMBLY	1	UR P150*
1	64F-W0090-11-4D	CRANK CYLINDER ASSEMBLY	1	UR P200*
2	64K-15100-00-94	CRANKCASE ASSEMBLY	1	UR P150
2	64F-15100-00-94	CRANKCASE ASSEMBLY	1	UR P200
2	64L-15100-00-94	CRANKCASE ASSEMBLY	1	UR P175
3	6E5-11372-00-00	.NIPPLE, HOSE	1	
4	624-14485-00-00	.PIPE, JOINT	1	
5	6F6-11372-00-00	.NIPPLE, HOSE	6	
6	624-11379-00-00	.VALVE, CHECK	2	
7	90384-06M07-00	.BUSH, BIMETAL FORMED	1	
8	90384-14M09-00	.BUSH, BIMETAL FORMED	1	
9	663-11518-01-00	.LOCK, BEARING	2	
10	646-11370-00-00	.CHECK VALVE ASSY	6	
11	90340-14M00-00	.PLUG, STRAIGHT SCREW	2	
12	90430-14115-00	.GASKET	2	
13	93608-12063-00	PIN, DOWEL	2	
14	90445-07M10-00	HOSE (L510)	1	
15	90105-10M20-00	BOLT, FLANGE	8	
16	90119-08M23-00	BOLT, W/WASHER	12	
17	90116-08M45-00	BOLT, STUD	2	
18	90445-07M11-00	HOSE (L610)	1	
19	90445-07M09-00	HOSE (L380)	1	
20	90445-07M12-00	HOSE (L300)	1	
21	90445-07M08-00	HOSE (L220)	2	
22	90445-07M90-00	HOSE (L390)	1	
23	90445-07M34-00	HOSE (L260)	6	
24	90464-07M05-00	CLAMP	1	
25	90464-07M20-00	CLAMP	1	
26	6E5-11325-00-00	ANODE	8	
27	98780-04015-00	SCREW, FLAT HEAD	8	
28	6E9-11119-00-00	HANGER, ENGINE	1	
29	97013-08020-00	BOLT	2	
30	92990-08100-00	WASHER, SPRING	2	
31	6K7-11371-01-9M	COVER	1	
32	6E5-11381-A2-00	.GASKET 1	1	
33	97013-06020-00	BOLT	7	
34	92990-06600-00	WASHER, PLATE	7	
35	6E5-42761-00-94	STOPPER	1	
36	6E5-42762-00-94	STOPPER	1	
37	663-44533-00-00	DAMPER, UPPER MOUNT RUBBER	2	
38	97013-06020-00	BOLT	4	
39	92990-06600-00	WASHER, PLATE	4	

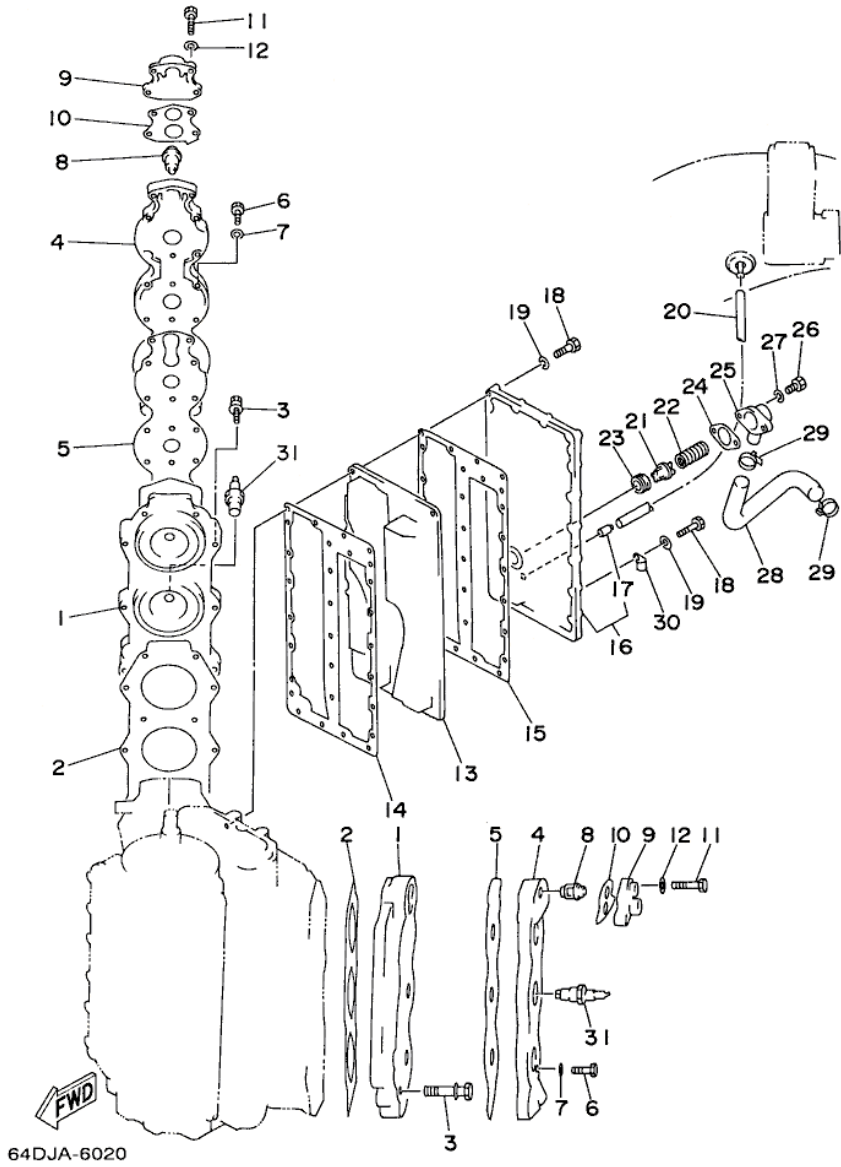
## Part Notes

P175TLRW 1998 / CYLINDER CRANKCASE 1

PART NUMBER		NOTE TEXT
92990-06600-00		OEM: This part number is among the Top 100 Most Popular Marine Maintenance Parts as of August 2013.
92990-06600-00		OEM: This part number is among the Top 100 Most Popular Marine Maintenance Parts as of August 2013.

©2013 Yamaha Motor Corporation, U.S.A. All rights reserved.

P175TLRW 1998 / CYLINDER CRANKCASE 2



©2013 Yamaha Motor Corporation, U.S.A. All rights reserved.



Part List

P175TLRW 1998 / CYLINDER CRANKCASE 2

REF - NO	PART NUMBER	PART NAME	QUANTITY	REMARKS
1	6G5-11111-04-94	HEAD, CYLINDER 1	2	UR P150/ P175
1	64E-11111-00-94	HEAD, CYLINDER 1	2	UR P200
2	6G5-11181-A1-00	GASKET, CYLINDER HEAD 1	2	
3	90119-08M21-00	BOLT, WITH WASHER	28	
4	6G5-11191-00-9M	COVER, CYLINDER HEAD 1	2	
5	6G5-11193-A0-00	.GASKET, HEAD COVER 1	2	
6	97013-06030-00	BOLT	36	
7	92903-06600-00	WASHER, PLATE	36	
8	6E5-12411-20-00	THERMOSTAT	2	
9	688-12413-00-9M	COVER, THERMOSTAT	2	
10	688-12414-A1-00	.GASKET, COVER	2	
11	97013-06040-00	BOLT	8	
12	92903-06600-00	WASHER, PLATE	8	
13	64D-41111-00-9M	INNER COVER, EXHAUST	1	
14	6G5-41112-A1-00	GASKET, EXHAUST INNER COVER	1	
15	6G5-41114-A0-00	.GASKET, EXHAUST OUTER COVER	1	
16	6R3-41113-00-9M	OUTER COVER, EXHAUST	1	
17	650-24378-00-00	.PIPE, JOINT 4	1	
18	97013-06035-00	BOLT	29	
19	92903-06600-00	WASHER, PLATE	29	
20	90445-09226-00	HOSE (L390)	1	
21	6G5-12416-00-00	VALVE, PRESSURE CONTROL	1	
22	90501-16M11-00	SPRING, COMPRESSION	1	
23	90480-20M05-00	GROMMET	1	
24	6G5-11382-A1-00	.GASKET 2	1	
25	6G5-11372-00-5B	NIPPLE, HOSE (6G5-11372-00-9M)	1	
26	97013-06020-00	BOLT	2	
27	92903-06600-00	WASHER, PLATE	2	
28	6G5-12576-00-00	HOSE 1	1	
29	90465-13M18-00	CLAMP	2	
30	90465-08M07-00	CLAMP	2	
31	NGK-BR8HS-10-00	PLUG, SPARK (NGK BR8HS-10)	6	UR P175/ P200

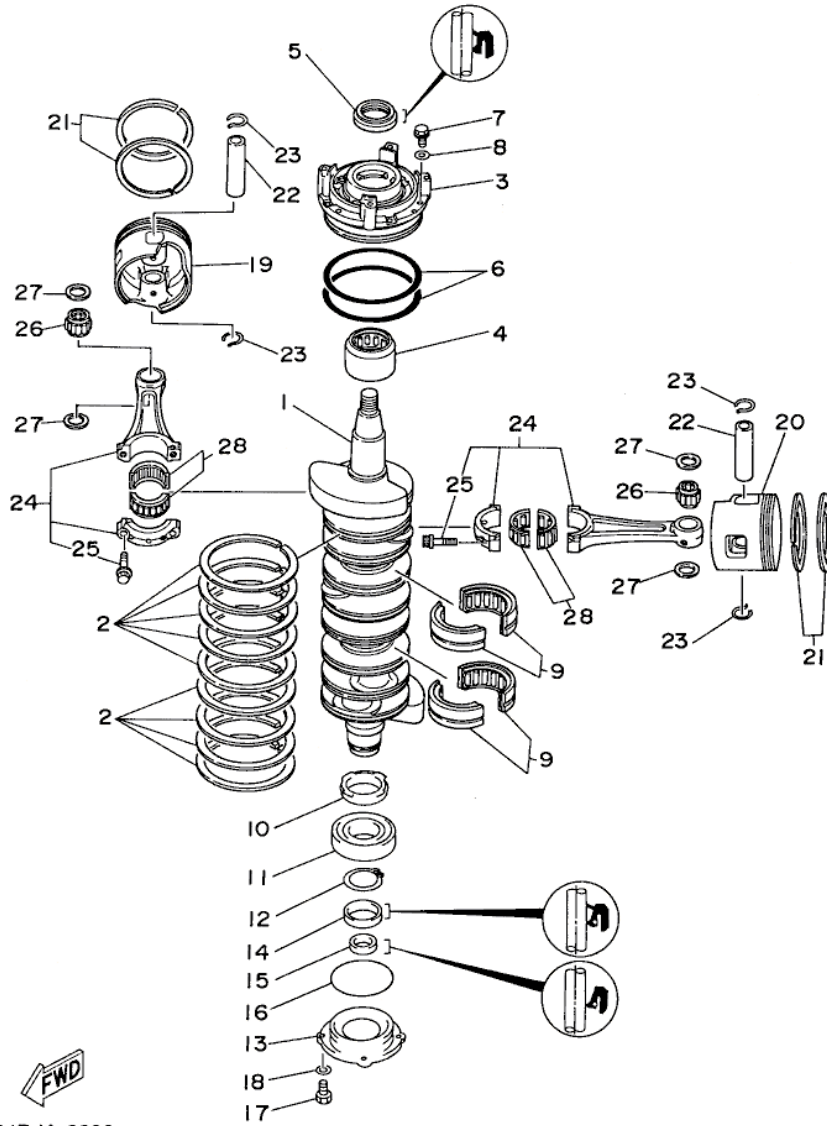
Part Notes

P175TLRW 1998 / CYLINDER CRANKCASE 2

PART NUMBER	NOTE TEXT
688-12414-A1-00 	OEM: This part number is among the Top 100 Most Popular Marine Maintenance Parts as of August 2013.
90480-20M05-00 	OEM: This part number is among the Top 100 Most Popular Marine Maintenance Parts as of August 2013.

©2013 Yamaha Motor Corporation, U.S.A. All rights reserved.

P175TLRW 1998 / CRANKSHAFT PISTON



64DJA-6030

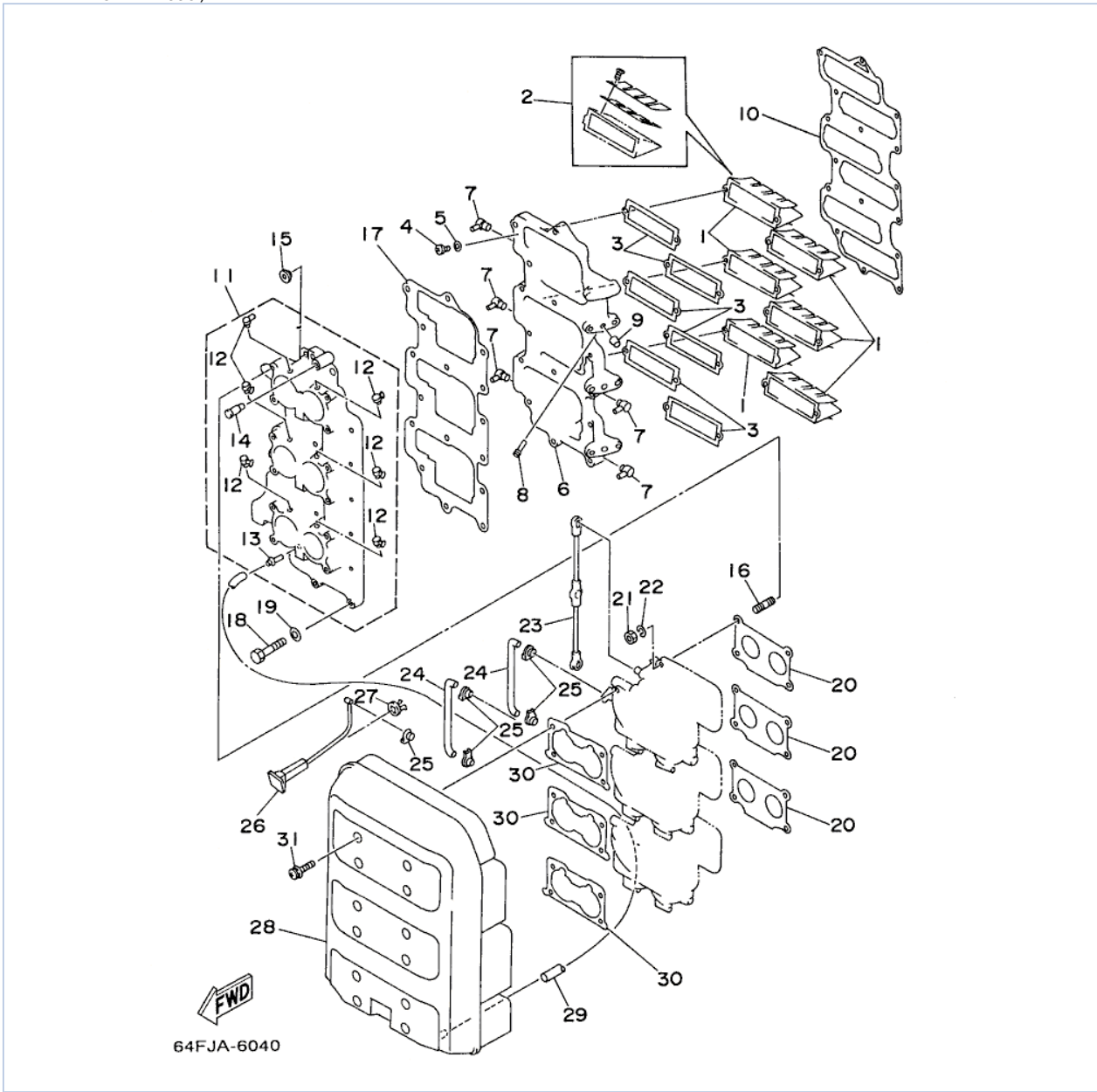
©2013 Yamaha Motor Corporation, U.S.A. All rights reserved.

## Part List

P175TLRW 1998 / CRANKSHAFT PISTON

REF - NO	PART NUMBER	PART NAME	QUANTITY	REMARKS
1	6G5-11411-00-00	CRANKSHAFT	1	
2	6E5-11447-00-00	SEAL, CRANK	9	
3	6R3-15163-00-94	HOUSING, BEARING 1	1	
4	93311-940U3-00	BEARING	1	
5	93102-40M14-00	.OIL SEAL	1	
6	93211-04M36-00	.O-RING	2	
7	97013-06020-00	BOLT	3	
8	92903-06600-00	WASHER, PLATE	3	
9	93310-954U1-00	BEARING	2	
10	6R3-11536-00-00	GEAR, DRIVE	1	
11	93306-208U0-00	BEARING	1	
12	93410-40M03-00	CIRCLIP	1	
13	6G5-15359-00-94	HOUSING, OIL SEAL	1	
14	93102-35M13-00	OIL SEAL	1	
15	93101-22M15-00	.OIL SEAL	1	
16	93210-74M35-00	.O-RING	1	
17	97095-06020-00	BOLT	4	
18	92995-06600-00	WASHER	4	
19	64D-11636-01-00	PISTON (0.50MM O/S)	3	AP
19	64D-11631-01-90	PISTON (STD)	3	
19	64D-11635-01-00	PISTON (1ST O/S 0.25MM)	3	AP
20	64D-11642-01-90	PISTON 2 (STD)	3	
20	64D-11645-01-00	PISTON 1ST O/S 0.25MM	3	AP
20	64D-11646-01-00	PISTON 2 (0.50MM O/S)	3	AP
21	64D-11605-01-00	PISTON RING SET (0.50MM O/S)	6	AP
21	64D-11603-01-00	PISTON RING SET (STD)	6	
21	64D-11604-01-00	PISTON RING SET (0.25MM O/S)	6	AP
22	6R5-11633-10-00	PIN, PISTON	6	
23	6R5-11634-10-00	CLIP, PISTON PIN	12	
24	6R5-11650-10-00	CONNECTING ROD ASSY	6	
25	90109-08M71-00	.BOLT	2	
26	93310-323V6-00	BEARING	6	
27	90201-23M01-00	WASHER, PLATE	12	
28	93310-836V2-00	BEARING	6	

P175TLRW 1998 / INTAKE



©2013 Yamaha Motor Corporation, U.S.A. All rights reserved.


## Part List

P175TLRW 1998 / INTAKE

REF - NO	PART NUMBER	PART NAME	QUANTITY	REMARKS
1	6K7-13610-00-00	REED VALVE ASSY	6	
2	6E5-W0004-00-00	.REED SET	1	
3	6K7-13621-A1-00	.GASKET, VALVE SEAT	6	
4	98580-05016-00	SCREW, PAN HEAD	12	
5	92990-05600-00	WASHER, PLATE	12	
6	64E-13624-00-94	PLATE, REED VALVE	1	
7	6H4-11372-00-00	.NIPPLE, HOSE	5	
8	6R5-14485-00-00	.PIPE, JOINT	1	
9	90336-08M06-00	.PLUG, TAPER	1	
10	6K7-13646-A2-00	.GASKET, MANIFOLD 2	1	
11	64E-13641-00-94	MANIFOLD 1	1	
12	6E5-13552-00-00	.NOZZLE	6	
13	624-14485-00-00	.PIPE, JOINT	1	
14	6K7-81338-01-00	.CLAMP, LEAD	1	
15	90480-10M28-00	GROMMET	6	
16	90116-06M30-00	BOLT, STUD	12	
17	64E-13645-A0-00	.GASKET, MANIFOLD 1	1	
18	97013-06050-00	BOLT	16	
19	92903-06600-00	WASHER, PLATE	16	
20	6E5-14198-A2-00	.GASKET	3	
21	95380-06600-00	NUT, HEXAGON	12	
22	92995-06100-00	WASHER, SPRING	12	
23	6G5-41217-01-00	ROD, ACCEL. LEVER	1	
24	6E5-41256-01-00	ROD, CHOKE 1	2	
25	661-41262-02-00	JOINT, CHOKE LEVER	5	
26	61H-41271-10-00	KNOB, CHOKE	1	
27	689-41273-00-00	GROMMET	1	
28	64D-14440-00-00	SILENCER ASSY, INTAKE	1	
29	90445-07MA3-00	HOSE (L200)	1	
30	6K7-14483-00-00	GASKET	3	
31	90159-06M08-00	SCREW, WITH WASHER	12	

## Part Notes

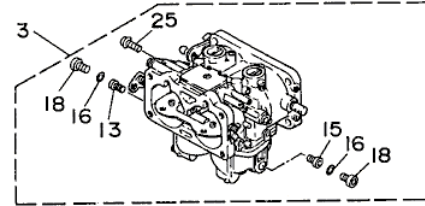
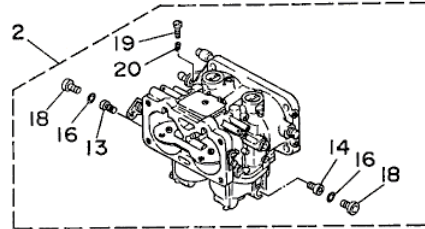
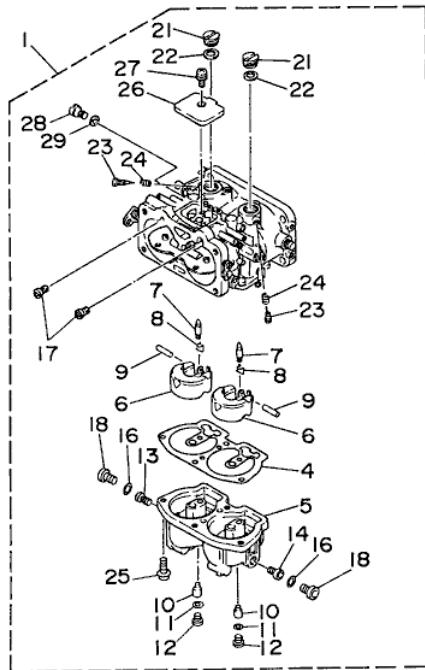
P175TLRW 1998 / INTAKE

PART NUMBER	NOTE TEXT
92995-06100-00 	OEM: This part number is among the Top 100 Most Popular Marine Maintenance Parts as of August 2013.

©2013 Yamaha Motor Corporation, U.S.A. All rights reserved.



P175TLRW 1998 / CARBURETOR



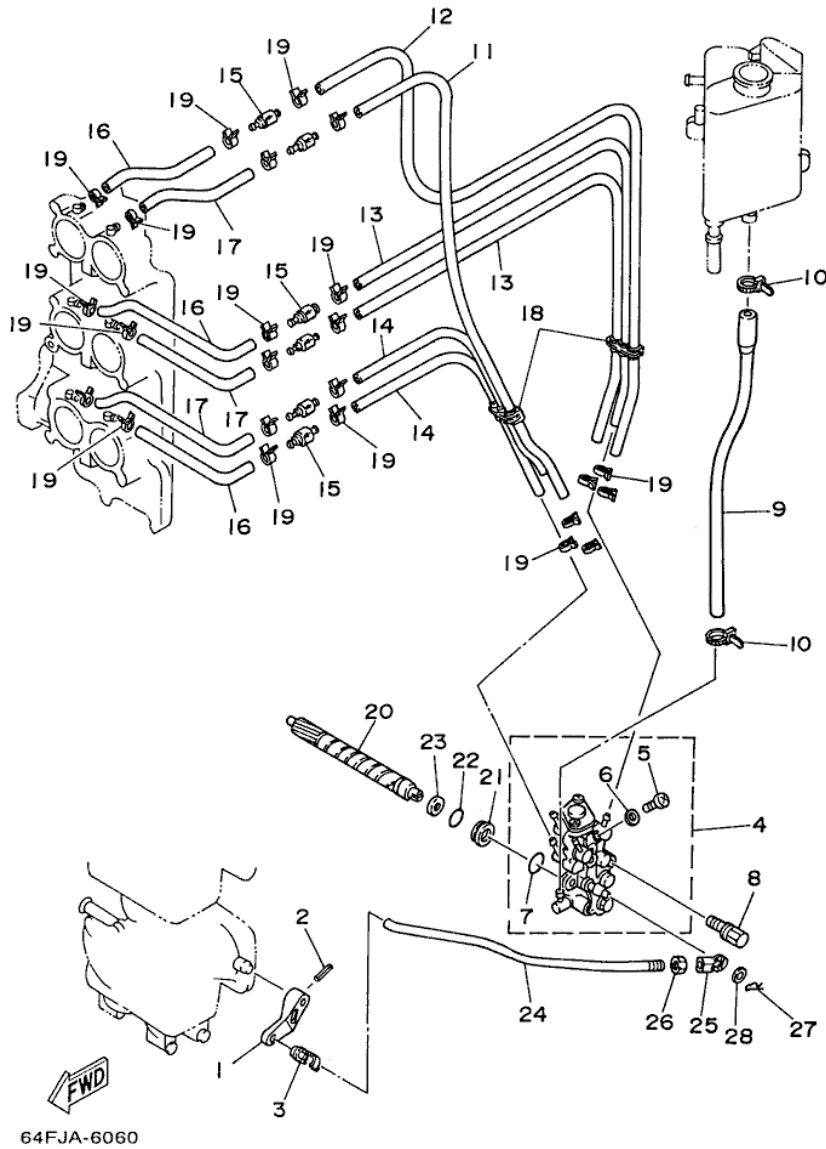
64FJA-6050

## Part List

P175TLRW 1998 / CARBURETOR

REF - NO	PART NUMBER	PART NAME	QUANTITY	REMARKS
1	64L-14301-00-00	CARBURETOR ASSEMBLY 1	1	UR P175
1	64K-14301-00-00	CARBURETOR ASSY 1	1	UR P150
1	64F-14301-00-00	CARBURETOR ASSEMBLY 1	1	UR P200
2	64K-14302-00-00	CARBURETOR ASSY 2	1	UR P150
2	64F-14302-00-00	CARBURETOR ASSEMBLY 2	1	UR P200
2	64L-14302-00-00	CARBURETOR ASSEMBLY 2	1	UR P175
3	64F-14303-00-00	CARBURETOR ASSEMBLY 3	1	UR P200
3	64L-14303-00-00	CARBURETOR ASSEMBLY 3	1	UR P175
3	64K-14303-00-00	CARBURETOR ASSY 3	1	UR P150
4	64D-14384-00-00	.GASKET, FLOAT CHAMBER	3	
5	64D-14381-00-00	.BODY, FLOAT CHAMBER	3	
6	6E5-14385-02-00	.FLOAT	6	
7	6E5-14546-00-00	.VALVE, NEEDLE	6	
8	6E5-14159-00-00	.CLIP	6	
9	6E5-14386-02-00	.PIN, FLOAT	6	
10	64D-1492F-42-00	.JET, AIR SLOW (#84)	6	UR P150
10	64D-1492F-40-00	.JET, AIR SLOW (#80)	6	UR P175/ P200
11	61U-14959-00-00	.GASKET	6	
12	64D-14394-00-00	.VALVE, DRAIN	6	
13	64D-1492E-75-00	.JET, MAIN (#150)	3	UR P200
13	64D-1492E-76-00	.JET, MAIN (#152)	3	UR P150/ P175
14	64D-1492E-77-00	.JET, MAIN (#154)	2	
15	64D-1492E-79-00	.JET, MAIN (#158)	1	
16	6E5-14398-01-00	.GASKET	6	
17	61A-1492H-12-00	.JET, SLOW AIR BLEED (#60)	6	
18	61A-14383-01-00	.SCREW, DRAIN	6	
19	6E5-14321-00-00	.SCREW, THROTTLE	1	CENTER
20	6J8-14334-00-00	.SPRING, THROTTLE	1	CENTER
21	6E5-14328-01-00	.PLUG	6	
22	6E5-14979-00-00	.GASKET	6	
23	6E5-14323-03-00	.SCREW, AIR ADJUSTING	6	
24	6E5-14223-00-00	.SPRING, AIR ADJUSTING	6	
25	97980-05116-00	.SCREW, WITH WASHER	13	
26	6E5-14527-01-00	.PLATE	3	
27	97980-05108-00	.SCREW, WITH WASHER	3	
28	6E5-14324-00-00	.SCREW, FLAT HEAD	3	
29	6J8-14995-00-00	.GASKET	3	

P175TLRW 1998 / OIL PUMP



©2013 Yamaha Motor Corporation, U.S.A. All rights reserved.


Part List

P175TLRW 1998 / OIL PUMP

REF - NO	PART NUMBER	PART NAME	QUANTITY	REMARKS
1	6E5-14276-01-00	LEVER	1	
2	91690-30016-00	PIN, SPRING	1	
3	6R5-41237-00-00	JOINT, LINK	1	
4	6R4-13200-00-00	OIL INJECTION PUMP ASSY	1	UR P150/ P175
4	6R5-13200-10-00	OIL INJECTION PUMP ASSEMBLY	1	UR P200
5	6R3-13471-00-00	.PLUG, DRAIN	1	
6	6L2-13475-00-00	.GASKET	1	
7	93210-19MA7-00	.O-RING	1	
8	90109-06M40-00	BOLT	2	
9	6R3-13416-00-00	PIPE, OIL 1	1	
10	90465-11M10-00	CLAMP	2	
11	90445-07M77-00	HOSE	1	
12	90445-07M85-00	HOSE (L330)	1	
13	90445-07M72-00	HOSE (L250)	2	
14	90445-07196-00	HOSE (L160)	2	
15	6R3-13183-10-00	VALVE, CHECK	6	
16	90445-07M87-00	HOSE (L110)	3	
17	90445-07M07-00	HOSE (L180)	3	
18	90464-07M05-00	CLAMP	2	
19	90468-07M02-00	CLIP	24	
20	6R3-11537-00-00	GEAR, DRIVEN	1	
21	6R3-13117-00-00	COLLAR, DISTANCE	1	
22	93210-13M04-00	O-RING	1	
23	90202-08M44-00	WASHER, PLATE	1	
24	6R5-41241-00-00	ROD, LINK	1	
25	6H1-41237-00-00	JOINT, LINK	1	
26	95380-05600-00	NUT	1	
27	90468-05M03-00	CLIP	1	
28	90202-05088-00	WASHER, PLATE	1	

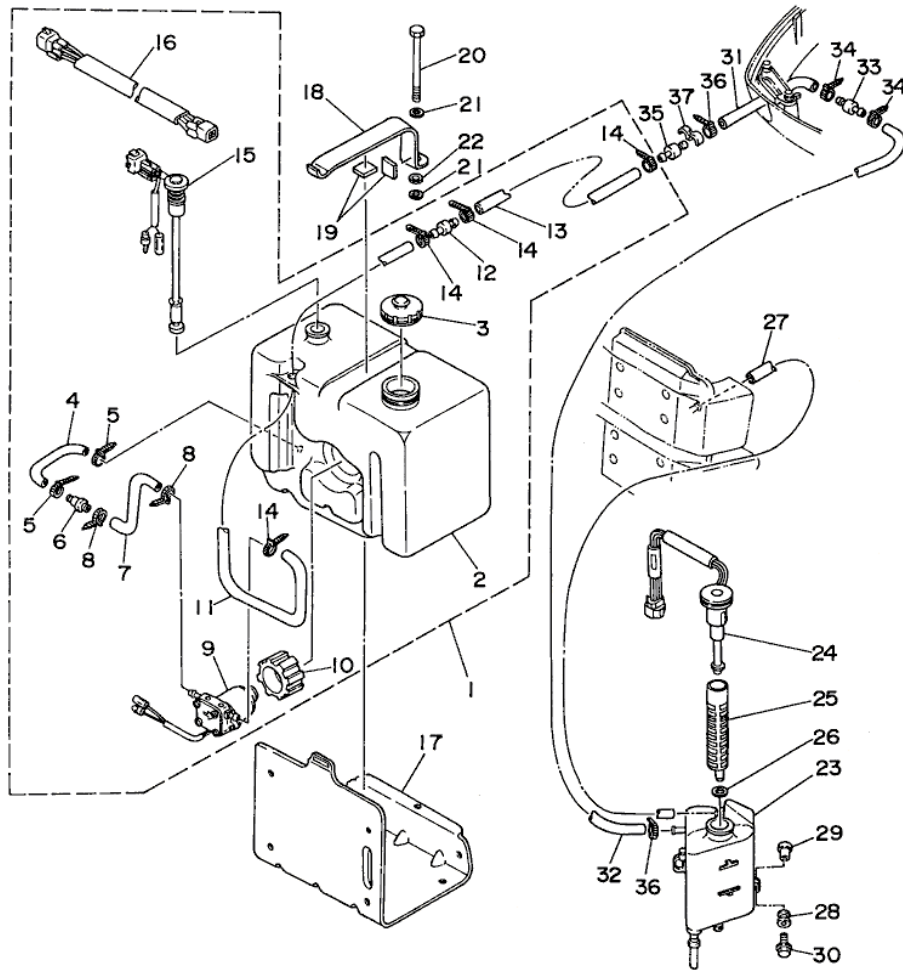
Part Notes

P175TLRW 1998 / OIL PUMP

PART NUMBER	NOTE TEXT
6H1-41237-00-00 	OEM: This part number is among the Top 100 Most Popular Marine Maintenance Parts as of August 2013.

©2013 Yamaha Motor Corporation, U.S.A. All rights reserved.

P175TLRW 1998 / OIL TANK



  
6R3US-4061

©2013 Yamaha Motor Corporation, U.S.A. All rights reserved.



## Part List

P175TLRW 1998 / OIL TANK

REF - NO	PART NUMBER	PART NAME	QUANTITY	REMARKS
1	6E5-21708-08-00	OIL TANK SUB-ASSY	1	
2	6E5-21733-02-00	.SUB TANK, OIL (105L)	1	
3	6E5-21770-03-00	.OIL TANK CAP ASSY	1	
4	6E5-24322-00-00	.PIPE 11	1	
5	90465-11M10-00	.CLAMP	2	
6	646-24251-02-00	.STRAINER 1	1	
7	6E5-24319-01-00	.PIPE, OIL	1	
8	90465-11M10-00	.CLAMP	2	
9	6E5-81900-01-00	.OIL FEED PUMP ASSY	1	
10	6E5-81922-00-00	.GROMMET	1	
11	6E5-24321-01-00	.PIPE 10	1	
12	6E5-24379-00-00	.PIPE, JOINT 4	1	
13	90445-11M81-00	.HOSE (L3000)	1	
14	90465-11M10-00	.CLAMP	4	
15	6E5-85720-04-00	.OIL LEVEL GAUGE ASSY	1	
16	6R3-85721-30-00	.WIRE, LEAD (L=30M)	1	
17	6E5-21734-01-33	HOLDER, OIL SUB TANK	1	
18	6E5-21798-01-33	BRACKET, DAMPER	1	
19	6E5-21746-00-00	DAMPER	2	
20	97080-06100-00	BOLT	1	
21	92990-06600-00	WASHER, PLATE	2	
22	95380-06600-00	NUT, HEXAGON	1	
23	6E5-21750-05-00	OIL TANK ASSY	1	
24	6R3-85730-02-00	OIL LEVEL GAUGE ASSY	1	
25	6E5-13411-00-00	STRAINER, OIL	1	
26	6E5-13414-00-00	GASKET, STRAINER COVER	1	
27	90445-05M02-00	HOSE (L380)	1	
28	6A0-82317-00-00	DAMPER, IGNITION COIL	3	
29	624-42542-00-00	PIPE	3	
30	90119-06M65-00	BOLT, WITH WASHER	3	
31	6R3-24323-10-00	PIPE 12	1	
32	90445-12M05-00	HOSE	1	
33	6E5-24379-00-00	PIPE, JOINT 4	1	
34	90465-11M10-00	CLAMP	2	
35	6E5-24379-00-00	PIPE, JOINT 4	1	
36	90465-11M10-00	CLAMP	2	
37	90464-13M34-00	CLAMP	1	

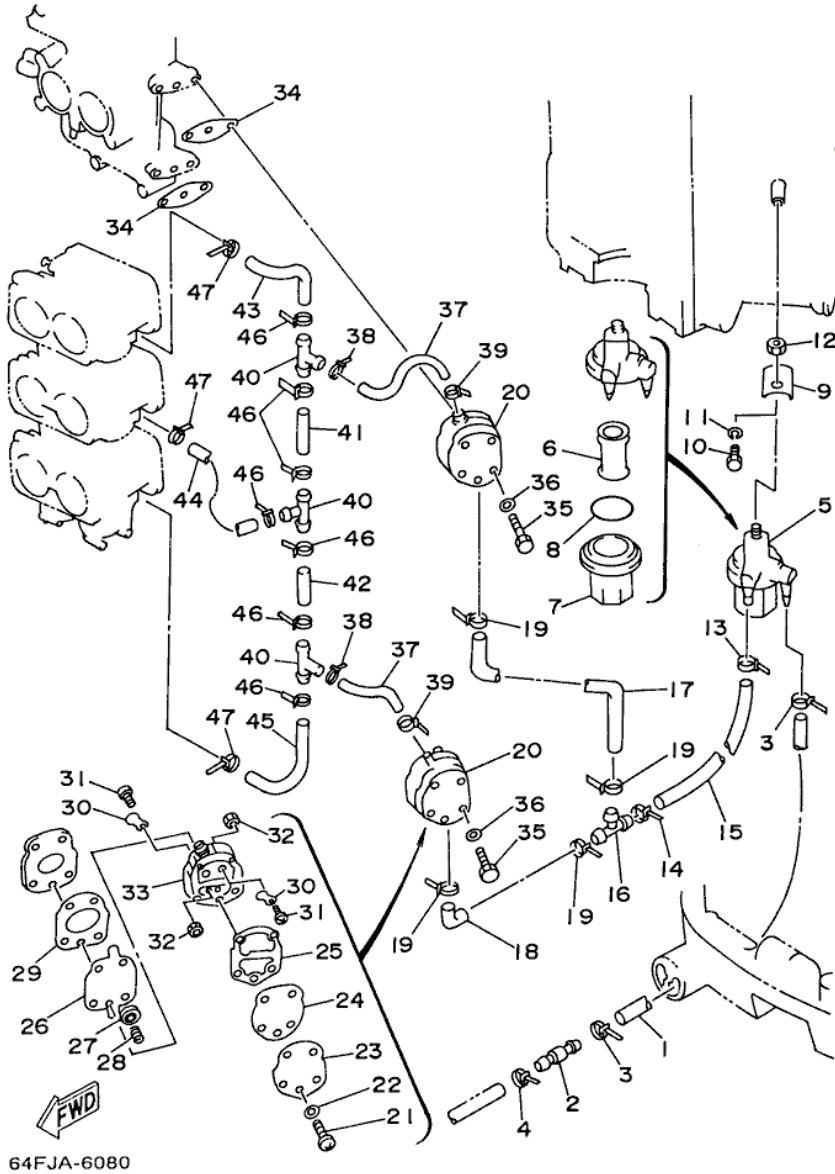
## Part Notes

P175TLRW 1998 / OIL TANK

PART NUMBER	NOTE TEXT
646-24251-02-00 	OEM: This part number is among the Top 100 Most Popular Marine Maintenance Parts as of August 2013.
92990-06600-00 	OEM: This part number is among the Top 100 Most Popular Marine Maintenance Parts as of August 2013.

©2013 Yamaha Motor Corporation, U.S.A. All rights reserved.

P175TLRW 1998 / FUEL



64FJA-6080

©2013 Yamaha Motor Corporation, U.S.A. All rights reserved.


## Part List

P175TLRW 1998 / FUEL

REF - NO	PART NUMBER	PART NAME	QUANTITY	REMARKS
1	6R3-24313-20-00	PIPE 3 (L2820)	1	
2	6R3-24377-00-00	PIPE, JOINT 2	1	
3	90465-11M10-00	CLAMP	2	
4	90465-11M10-00	CLAMP	1	
5	6R3-24560-00-00	FILTER ASSY	1	
6	61N-24563-00-00	.ELEMENT, FILTER	1	
7	61N-24521-00-00	.CUP, FILTER	1	
8	93210-32738-00	.O-RING	1	
9	648-24566-01-00	BRACKET, FILTER	1	
10	97013-06014-00	BOLT	1	
11	92903-06100-00	WASHER, SPRING	1	
12	95380-08600-00	NUT	1	
13	90465-11M10-00	CLAMP	1	
14	90465-11M10-00	CLAMP	1	
15	6G5-24314-00-00	PIPE 4	1	
16	6E5-24378-00-00	PIPE, JOINT 3	1	
17	6K7-24315-00-00	PIPE 5	1	
18	6E5-24315-00-00	PIPE 5	1	
19	90465-11M10-00	CLAMP	4	
20	6E5-24410-03-00	FUEL PUMP ASSY	2	
21	98503-05035-00	.SCREW, PAN HEAD	3	
22	92903-05600-00	.WASHER, PLATE	3	
23	6E5-24413-00-00	.BODY 2	1	
24	6E5-24471-00-00	.DIAPHRAGM	1	
25	6E5-24435-00-00	.GASKET, BODY 2	1	
26	6E5-24411-00-00	.DIAPHRAGM	1	
27	648-24424-00-00	.SEAT, SPRING	1	
28	6E5-24423-00-00	.SPRING, DIAPHRAGM	1	
29	6E5-24434-02-00	.GASKET, BODY	1	
30	6A0-24421-01-00	.VALVE, CHECK	4	
31	6A0-14325-00-00	.SCREW, PAN HEAD	4	
32	95380-03600-00	.NUT	4	
33	6E5-24412-02-00	.BODY 1	1	
34	650-24431-A0-00	GASKET, FUEL PUMP 1	2	
35	97095-06050-00	BOLT	4	
36	92995-06600-00	WASHER	4	
37	6G5-24316-10-00	PIPE 6	2	
38	90465-11M10-00	CLAMP	2	
39	90465-11M10-00	CLAMP	2	
40	6E5-24378-00-00	PIPE, JOINT 3	3	
41	90445-13M03-00	HOSE (L50)	1	
42	90445-13M02-00	HOSE (L40)	1	
43	6K7-24317-00-00	PIPE 7	1	
44	6K7-24318-00-00	PIPE, OVERFLOW	1	
45	6K7-24319-00-00	PIPE, OIL	1	
46	90465-11M10-00	CLAMP	7	
47	90465-11M10-00	CLAMP	3	

## Part Notes

P175TLRW 1998 / FUEL

PART NUMBER	NOTE TEXT
6E5-24410-03-00 	OEM: This part number is among the Top 100 Most Popular Marine Maintenance Parts as of August 2013.



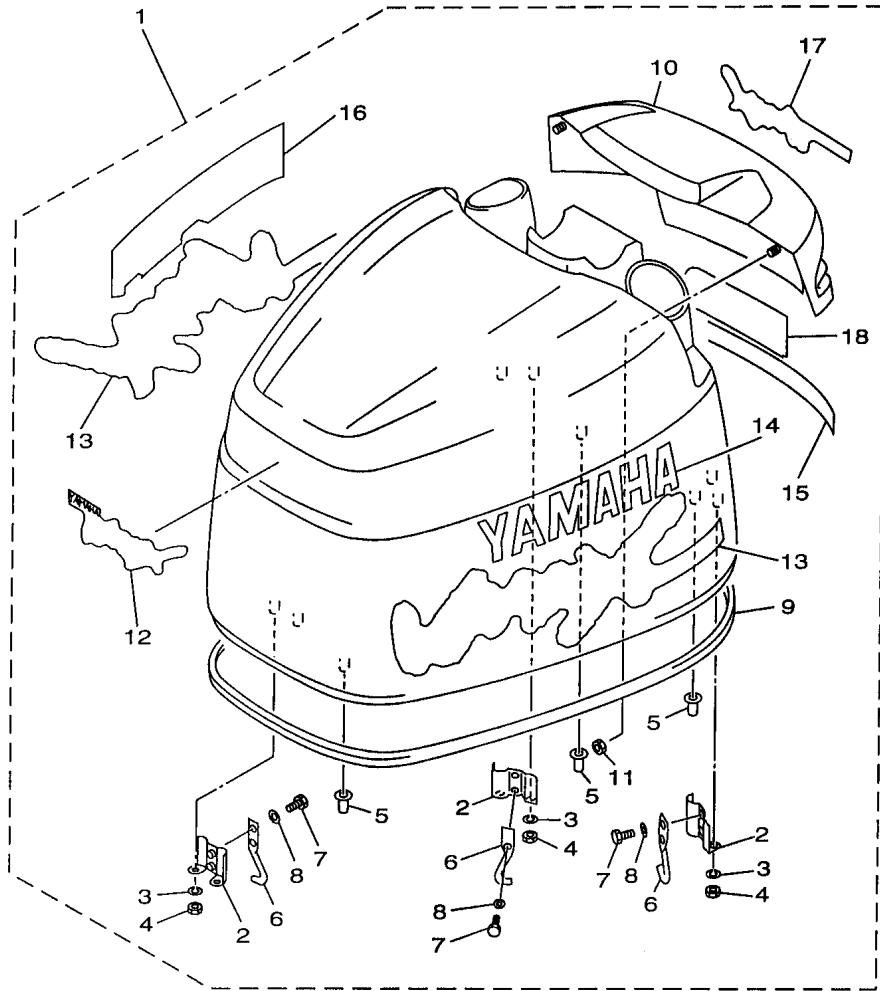
650-24431-A0-00



OEM: This part number is among the Top 100 Most Popular Marine Maintenance Parts as of August 2013.

©2013 Yamaha Motor Corporation, U.S.A. All rights reserved.

P175TLRW 1998 / TOP COWLING



64LJA-8090

©2013 Yamaha Motor Corporation, U.S.A. All rights reserved.


Part List

P175TLRW 1998 / TOP COWLING

REF - NO	PART NUMBER	PART NAME	QUANTITY	REMARKS
1	64L-42610-N1-NA	TOP COWLING ASSEMBLY	1	UR P175
1	64K-42610-N1-NA	TOP COWLING ASSEMBLY	1	UR P150
1	64M-42610-N1-NA	TOP COWLING ASSEMBLY	1	UR P200
2	6R3-42647-00-00	.HOLDER, CLAMP BAND	3	
3	92995-06100-00	.WASHER, SPRING	6	
4	95380-06600-00	.NUT, HEXAGON	6	
5	6R3-42662-00-00	.DAMPER	3	
6	64D-42814-00-00	.HOOK, CLAMP	3	
7	97095-06012-00	.BOLT	6	
8	92995-06600-00	.WASHER	6	
9	64D-42615-00-00	.SEAL	1	
10	64L-42613-00-NA	.MOLDING, AIR DUCT	1	
11	90179-06M24-00	.NUT	4	
12	65N-42677-N0-00	.GRAPHIC, FRONT	1	
13	65N-W0070-N1-00	.GRAPHIC SET	1	
14	65N-42681-N0-00	.MARK, COWLING	1	
15	65N-4267A-N0-00	.GRAPHIC, REAR 2	1	
16	65N-42682-N0-00	.MARK, COWLING	1	
17	65N-42678-N0-00	.GRAPHIC, REAR	1	
18	64M-42683-N0-00	.MARK, COWLING	1	P200
18	64L-42683-N0-00	.MARK, COWLING	1	P175
18	64K-42683-N0-00	.MARK, COWLING	1	P150

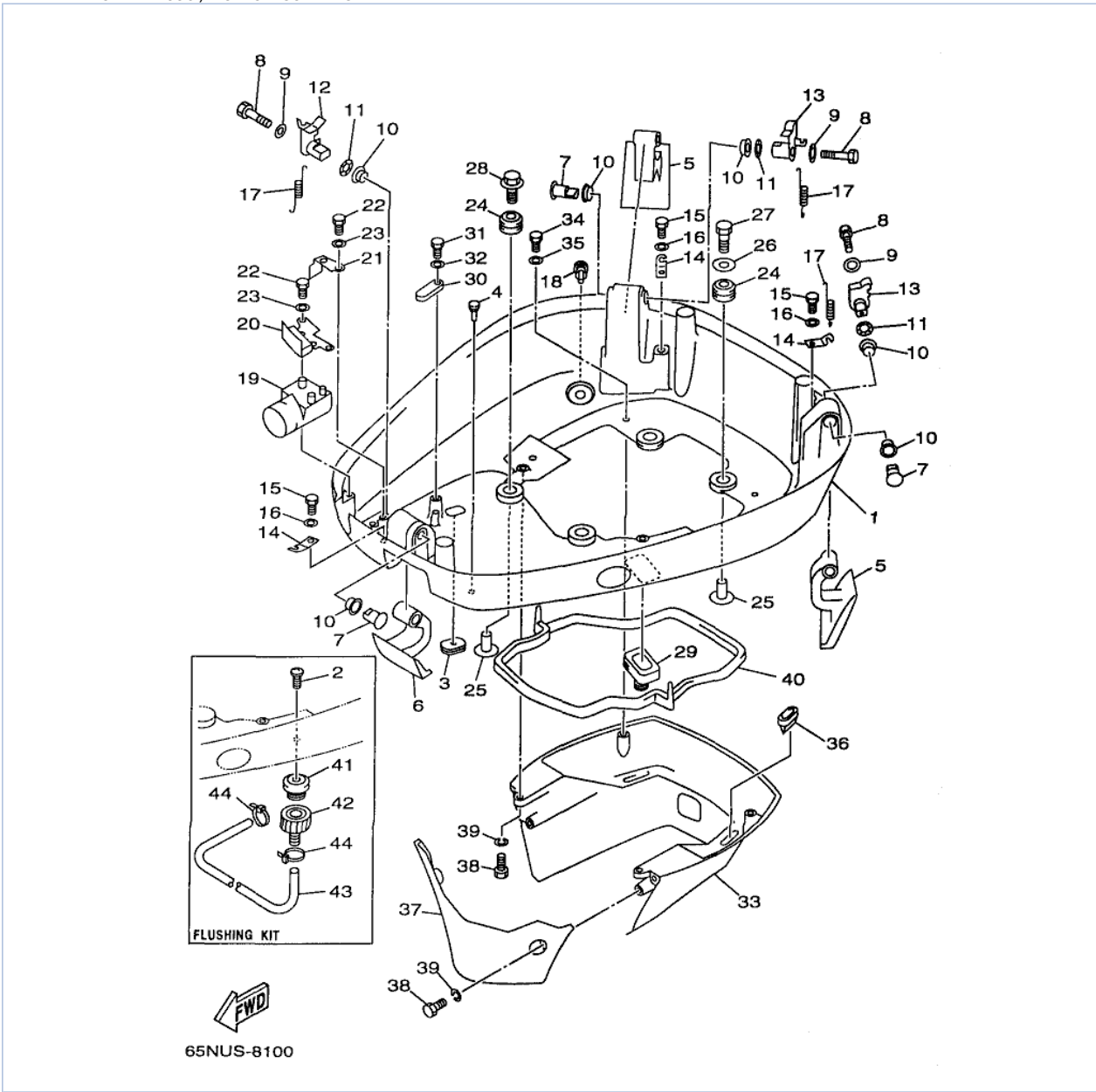
Part Notes

P175TLRW 1998 / TOP COWLING

PART NUMBER	NOTE TEXT
92995-06100-00 	OEM: This part number is among the Top 100 Most Popular Marine Maintenance Parts as of August 2013.

©2013 Yamaha Motor Corporation, U.S.A. All rights reserved.

P175TLRW 1998 / BOTTOM COWLING



©2013 Yamaha Motor Corporation, U.S.A. All rights reserved.



## Part List

P175TLRW 1998 / BOTTOM COWLING

REF - NO	PART NUMBER	PART NAME	QUANTITY	REMARKS
1	64D-42711-00-8D	COWLING, BOTTOM	1	
2	90169-05M00-00	SCREW, TRUSS HEAD TAPPING	1	FLUSHING KIT
3	61A-42727-00-00	GROMMET	1	
4	6H4-42748-00-00	GROMMET	1	
5	64D-42815-00-4D	LEVER, CLAMP	2	
6	64D-42816-00-4D	LEVER, CLAMP	1	
7	64D-42835-00-00	PIN, SET 1	3	
8	97095-06040-00	.BOLT	3	
9	90201-06068-00	WASHER, PLATE	3	
10	90386-15M73-00	BUSH	6	
11	90206-15M18-00	WASHER, WAVE	3	
12	64D-42818-20-00	LEVER, CLAMP	1	
13	64D-42818-30-00	LEVER, CLAMP	2	
14	64D-43144-00-00	HOOK, SPRING	3	
15	97090-06012-00	BOLT	3	
16	92990-06600-00	WASHER, PLATE	3	
17	90506-16M34-00	SPRING, TENSION	3	
18	6E5-44391-00-00	NIPPLE, HOSE	1	
19	64D-42725-20-00	GROMMET	1	
20	64D-42738-00-5B	PLATE, FITTING	1	
21	64D-42738-10-5B	PLATE, FITTING	1	
22	97095-06016-00	BOLT	3	
23	92995-06600-00	WASHER	3	
24	90480-22M15-00	GROMMET	4	
25	90387-08M37-00	COLLAR	4	
26	90201-08M54-00	WASHER, PLATE	1	
27	97075-08035-00	BOLT	1	
28	90119-08M22-00	BOLT, WITH WASHER	3	
29	688-42726-10-00	GROMMET	1	
30	6E5-82588-00-00	PLATE	1	
31	97095-06020-00	BOLT	1	
32	92995-06600-00	WASHER	1	
33	6R3-42741-02-8D	APRON	1	
34	97095-06020-00	BOLT	2	
35	92995-06600-00	WASHER	2	
36	64D-42717-00-00	RUBBER, SEAL 2	2	
37	6R3-42771-01-8D	APRON	1	
38	97095-06020-00	BOLT	4	
39	92990-06600-00	WASHER, PLATE	4	
40	6E5-42716-10-00	RUBBER, SEAL 1	1	
41	6R3-12572-00-00	.ADAPTER	1	FLUSHING KIT
42	6R3-12580-00-00	.JOINT ASSY	1	FLUSHING KIT
43	90445-11M35-00	.HOSE (L540)	1	FLUSHING KIT
44	90465-11M10-00	CLAMP	2	FLUSHING KIT

## Part Notes

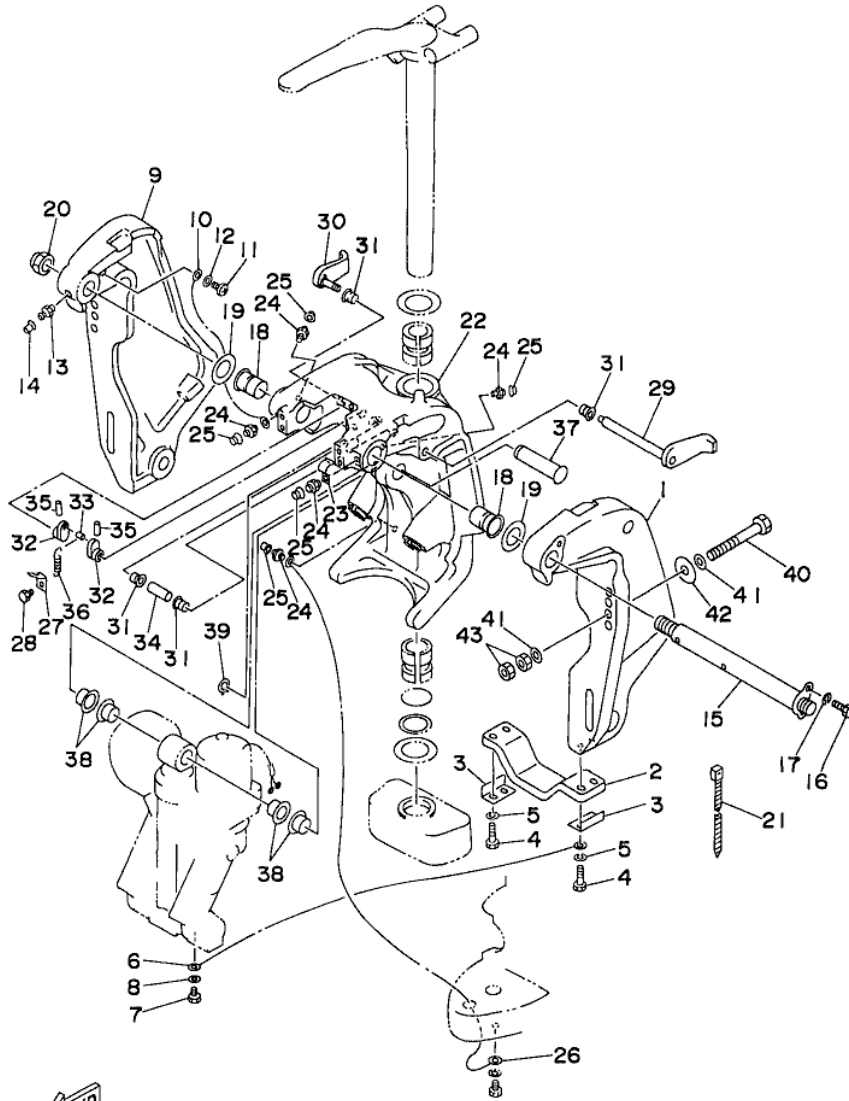
P175TLRW 1998 / BOTTOM COWLING

PART NUMBER	NOTE TEXT
92990-06600-00 	OEM: This part number is among the Top 100 Most Popular Marine Maintenance Parts as of August 2013.
92990-06600-00 	OEM: This part number is among the Top 100 Most Popular Marine Maintenance Parts as of August 2013.

©2013 Yamaha Motor Corporation, U.S.A. All rights reserved.



P175TLRW 1998 / BRACKET 1



64DUS-7150

©2013 Yamaha Motor Corporation, U.S.A. All rights reserved.




## Part List

P175TLRW 1998 / BRACKET 1



REF - NO	PART NUMBER	PART NAME	QUANTITY	REMARKS
1	64E-43111-00-8D	BRACKET, CLAMP	1	
2	6G5-45251-01-00	ANODE	1	
3	6G5-44526-00-00	PLATE	2	
4	97095-06030-00	BOLT	4	
5	92995-06100-00	WASHER, SPRING	4	
6	6E5-82148-00-00	WIRE, LEAD 4	1	
7	97095-06010-00	BOLT	1	
8	92990-06600-00	WASHER, PLATE	1	
9	64E-43112-00-8D	BRACKET, CLAMP	1	
10	6E5-82148-00-00	WIRE, LEAD 4	1	
11	98580-06012-00	SCREW, PAN HEAD	1	
12	92990-06600-00	WASHER, PLATE	1	
13	93700-06M03-00	NIPPLE, GREASE	1	
14	663-45119-00-00	CAP, GREASE NIPPLE	1	AP
15	64E-43131-00-00	BOLT, CLAMP BRACKET	1	
16	97095-08020-00	BOLT	1	
17	92995-08100-00	WASHER	1	
18	90386-25M31-00	BUSH	2	
19	90201-26M59-00	WASHER, PLATE	2	
20	90185-22M11-00	NUT, SELF-LOCKING	1	
21	90465-11M10-00	CLAMP	1	
22	64E-43311-10-8D	BRACKET, SWIVEL 1	1	
23	90465-08M63-00	CLAMP	1	
24	93700-06M03-00	NIPPLE, GREASE	5	
25	663-45119-00-00	CAP, GREASE NIPPLE	5	AP
26	6E5-82147-00-00	WIRE, LEAD 5	1	
27	6G5-43144-00-00	HOOK, SPRING	1	
28	97095-06010-00	BOLT	1	
29	6G5-43181-02-00	LEVER, TILT STOP 1	1	
30	6G5-43185-02-00	LEVER, TILT STOP 2	1	
31	90386-10M16-00	BUSH	4	
32	6G5-43148-00-00	COLLAR, DISTANCE	2	
33	90249-06M19-00	PIN	1	
34	90387-10M05-00	COLLAR	1	
35	91690-30020-00	PIN, SPRING	2	
36	90506-14M24-00	SPRING, TENSION	1	
37	64E-43126-00-00	PIN, UPPER SHOCK MOUNT	1	
38	90386-22M98-00	BUSH	4	
39	93410-22M11-00	CIRCLIP	1	
40	90101-12M03-00	BOLT (L:115MM)	4	
41	90201-13M01-00	WASHER, PLATE	8	
42	90201-12M05-00	WASHER, PLATE	4	
43	95380-12600-00	NUT	8	

## Part Notes

P175TLRW 1998 / BRACKET 1

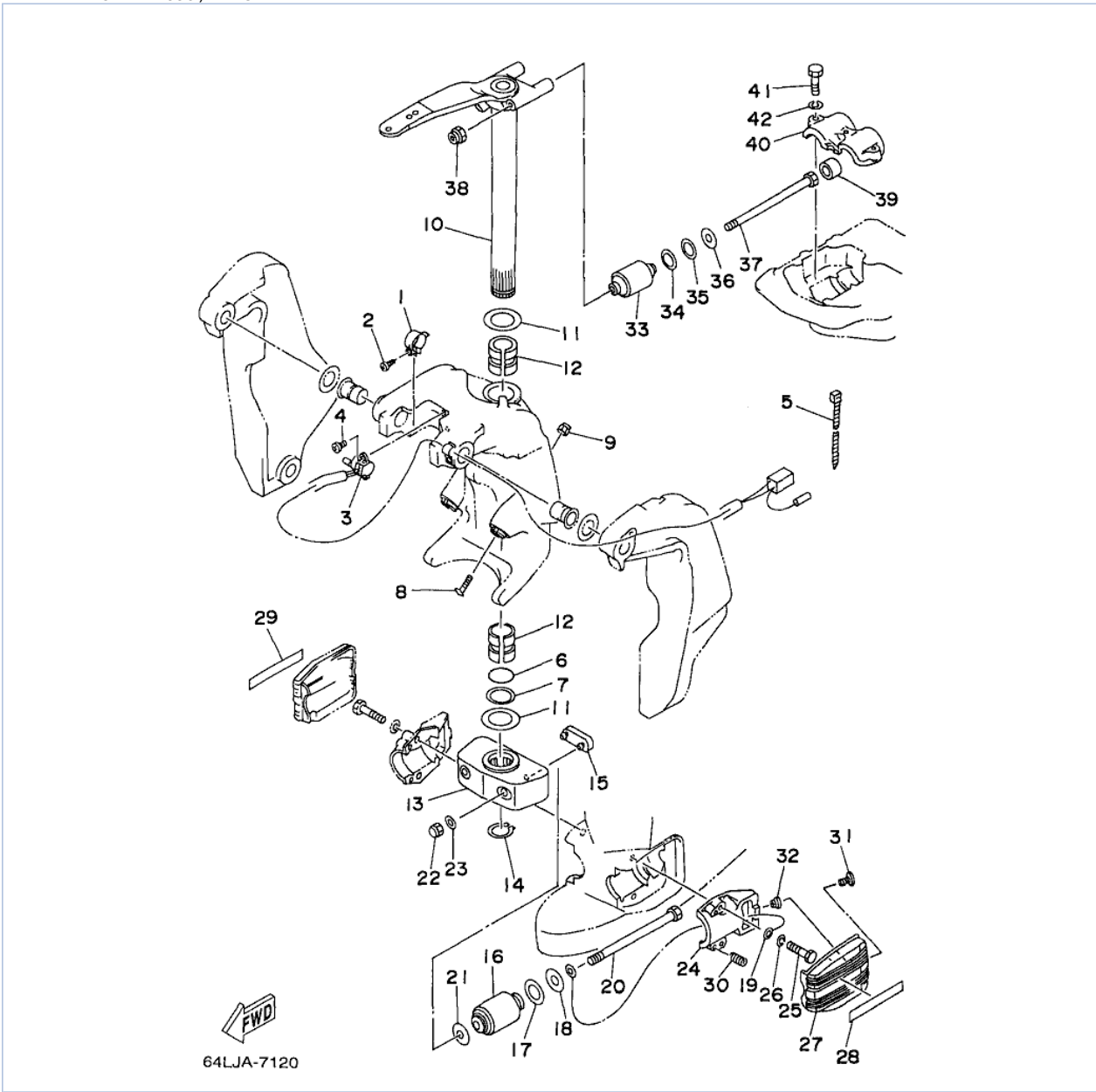
PART NUMBER		NOTE TEXT
92995-06100-00		OEM: This part number is among the Top 100 Most Popular Marine Maintenance Parts as of August 2013.
92990-06600-00		OEM: This part number is among the Top 100 Most Popular Marine Maintenance Parts as of August 2013.
92990-06600-00		OEM: This part number is among the Top 100 Most Popular Marine Maintenance Parts as of August 2013.
93700-06M03-00		OEM: This part number is among the Top 100 Most Popular Marine Maintenance Parts as of August 2013.



		
93700-06M03-00		OEM: This part number is among the Top 100 Most Popular Marine Maintenance Parts as of August 2013.

©2013 Yamaha Motor Corporation, U.S.A. All rights reserved.

P175TLRW 1998 / BRACKET 2



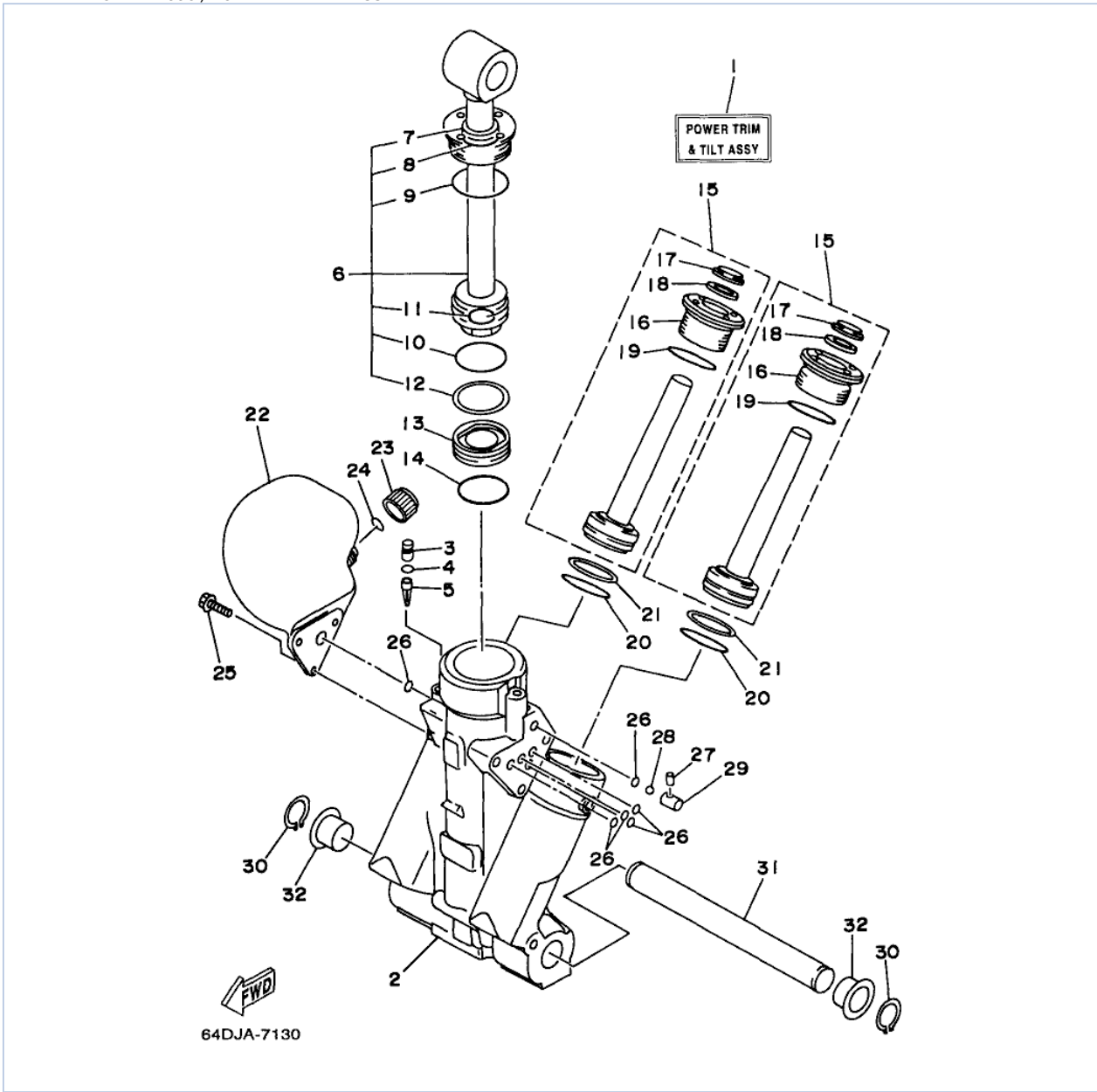
©2013 Yamaha Motor Corporation, U.S.A. All rights reserved.

## Part List

P175TLRW 1998 / BRACKET 2

REF - NO	PART NUMBER	PART NAME	QUANTITY	REMARKS
1	64E-43139-00-00	CAM, TRIM SENDER	1	
2	97780-60525-00	SCREW, TAPPING	1	
3	64E-83672-00-00	TRIM SENDER	1	
4	97885-06016-00	SCREW, PAN HEAD	2	
5	90465-11M10-00	CLAMP	3	
6	93210-37MH7-00	O-RING	1	
7	90202-40M47-00	WASHER, PLATE	1	
8	61A-43376-00-00	BOLT, THRUST RECEIVER	2	
9	95780-10300-00	NUT, FLANGE	2	
10	6E5-42510-A1-8D	STEERING BRACKET ASSY	1	
11	90201-38M60-00	WASHER, PLATE	2	
12	90386-38M32-00	BUSH	2	
13	6G5-44551-01-8D	HOUSING, LOWER MOUNT RUBBER	1	
14	93410-37M04-00	CIRCLIP	1	
15	6E5-44575-00-00	DAMPER, LOWER MOUNT RUBBER	1	
16	6J9-44555-00-94	MOUNT DAMPER, LOWER SIDE	2	
17	90202-32M19-00	WASHER, PLATE	2	
18	90201-16M55-00	WASHER, PLATE	2	
19	6E5-82149-00-00	WIRE, LEAD 3	1	
20	90109-14M34-00	BOLT	2	
21	90201-15M58-00	WASHER, PLATE	2	
22	95380-14800-00	NUT	2	
23	92995-14600-00	WASHER	2	
24	6E5-44552-01-94	HOUSING, LOWER MOUNT RUBBER	2	
25	97095-10045-00	BOLT	4	
26	92995-10100-00	WASHER	4	
27	6J9-44553-01-NA	COVER, LOWER MOUNT	2	
28	65N-43155-N0-00	MARK 1	1	
29	65N-43156-N0-00	MARK 2	1	
30	90501-16M28-00	SPRING, COMPRESSION	4	
31	90157-06M05-00	SCREW, PAN HEAD	2	
32	90179-06066-00	NUT	2	
33	6J9-44514-00-94	MOUNT DAMPER, UPPER SIDE	2	
34	90201-26M57-00	WASHER, PLATE	2	
35	90202-26M18-00	WASHER, PLATE	2	
36	90201-14M56-00	WASHER, PLATE	2	
37	90109-12M37-00	BOLT	2	
38	90185-12M12-00	NUT, SELF-LOCKING	2	
39	663-44575-00-00	DAMPER, LOWER MOUNT RUBBER	2	
40	6E5-44511-00-5B	COVER, UPPER MOUNT	1	
41	97095-10045-00	BOLT	3	
42	92990-10100-00	WASHER, SPRING	3	

P175TLRW 1998 / POWER TRIM TILT ASSEMBLY 1



©2013 Yamaha Motor Corporation, U.S.A. All rights reserved.





Part List

P175TLRW 1998 / POWER TRIM TILT ASSEMBLY 1

REF - NO	PART NUMBER	PART NAME	QUANTITY	REMARKS
1	64E-43800-00-4D	POWER TRIM & TILT ASSEMBLY	1	
2	64E-43825-00-00	HOUSING, TRIM & TILT	1	
3	64E-4388J-00-00	PLUG 2	1	
4	93210-10M74-00	O-RING	1	
5	64E-43817-00-00	FILTER 2	1	
6	64E-43810-00-00	TILT PISTON SUB ASSY	1	
7	64E-43898-00-00	.SEAL, DUST 2	1	
8	64E-43867-00-00	.O-RING	1	
9	64E-43866-00-00	.O-RING	1	
10	6E5-43862-00-00	.O-RING	1	
11	64E-43883-00-00	.O-RING	1	
12	6E5-43872-00-00	.RING, BACK UP	1	
13	6E5-43814-02-00	PISTON, FREE	1	
14	6E5-43862-00-00	O-RING	1	
15	64E-43820-00-00	PISTON SUB ASSEMBLY	2	
16	64E-43821-00-00	.SCREW, TRIM CYLINDER END	1	
17	64E-43822-00-00	.SEAL, TRIM DUST	1	
18	64E-4384J-00-00	.SEAL, TRIM DOWN	1	
19	6G5-43864-00-00	.O-RING	1	
20	6E5-43864-00-00	O-RING	2	
21	6E5-43874-01-00	RING, BACK UP	2	
22	64E-43828-00-00	BODY, RESERVOIR	1	
23	64E-43829-00-00	PLUG, RESERVOIR	1	
24	64E-43897-00-00	O-RING	1	
25	64E-4388E-00-00	BOLT ,SCREW (L:14MM)	3	
26	64E-43869-00-00	O-RING	6	
27	64E-4381G-00-00	PIN	1	
28	6E5-43858-00-00	BALL	1	
29	6E5-4382G-00-00	VALVE SEAT	1	
30	93410-22M11-00	CIRCLIP	2	
31	64E-43818-00-00	PIN, LOWER SHOCK MOUNT	1	
32	90386-22M98-00	BUSH	2	

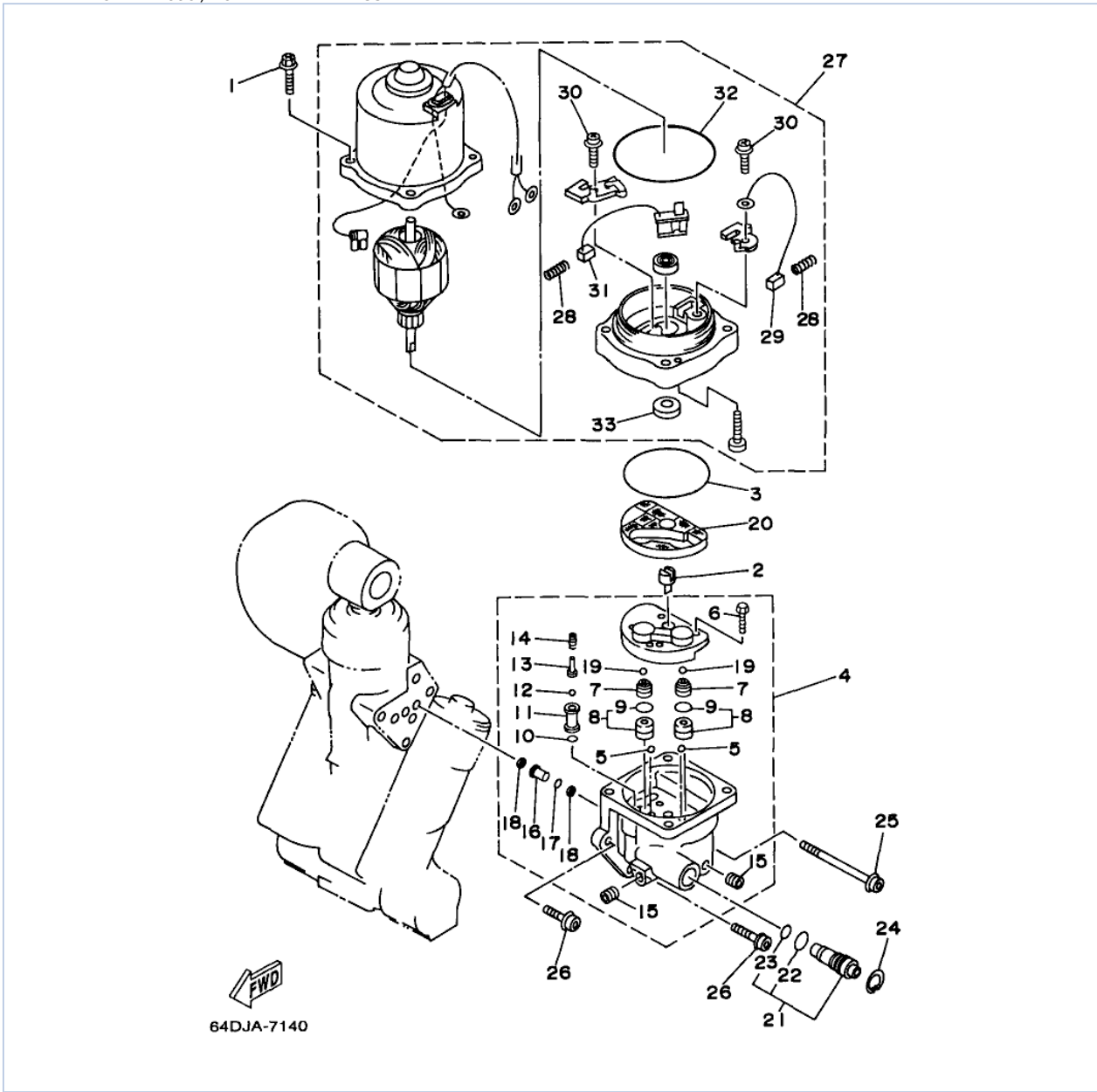
Part Notes

P175TLRW 1998 / POWER TRIM TILT ASSEMBLY 1

PART NUMBER	NOTE TEXT
64E-43822-00-00 	OEM: This part number is among the Top 100 Most Popular Marine Maintenance Parts as of August 2013.
64E-4384J-00-00 	OEM: This part number is among the Top 100 Most Popular Marine Maintenance Parts as of August 2013.
6G5-43864-00-00 	OEM: This part number is among the Top 100 Most Popular Marine Maintenance Parts as of August 2013.
64E-43869-00-00 	OEM: This part number is among the Top 100 Most Popular Marine Maintenance Parts as of August 2013.

©2013 Yamaha Motor Corporation, U.S.A. All rights reserved.

P175TLRW 1998 / POWER TRIM TILT ASSEMBLY 2



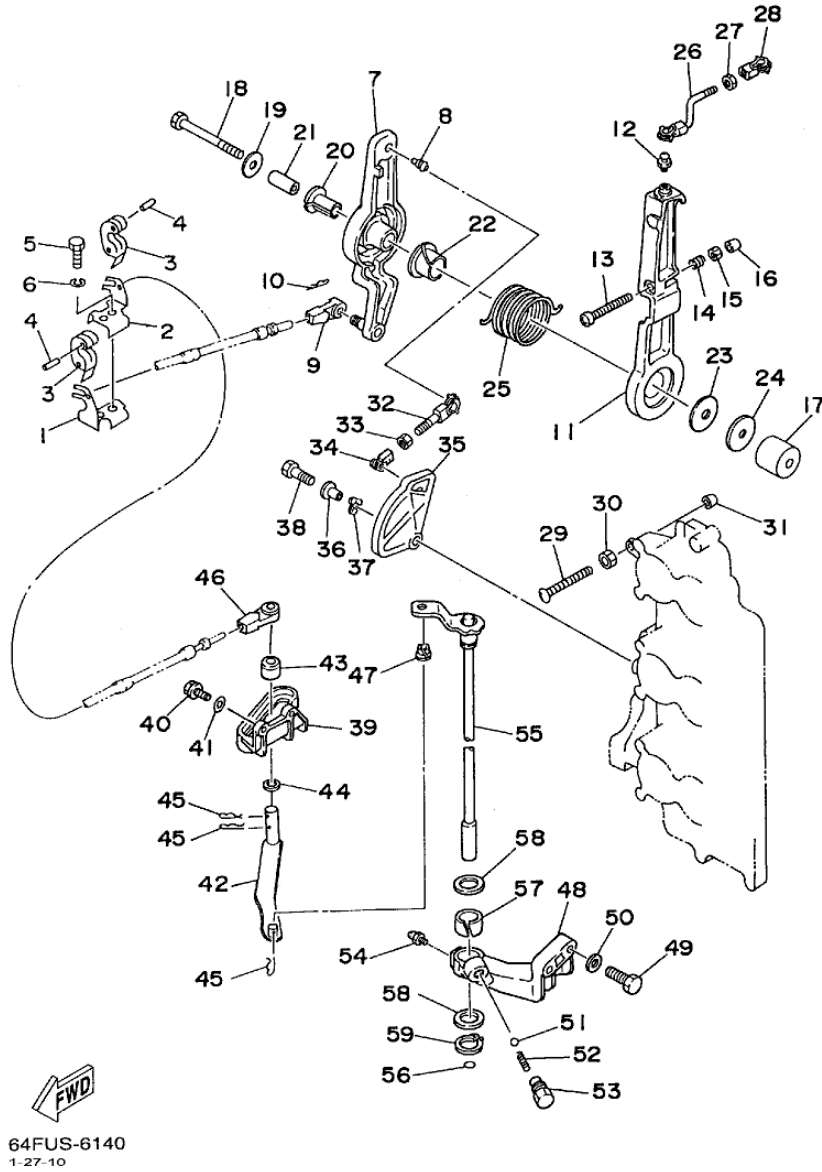
©2013 Yamaha Motor Corporation, U.S.A. All rights reserved.

## Part List

P175TLRW 1998 / POWER TRIM TILT ASSEMBLY 2

REF - NO	PART NUMBER	PART NAME	QUANTITY	REMARKS
1	64E-4388E-10-00	BOLT ,SCREW (L:14MM)	4	
2	64E-43831-00-00	CONNECTOR, SHAFT	1	
3	64E-43868-00-00	O-RING	1	
4	64E-43830-00-00	GEAR PUMP ASSY	1	
5	72X-43858-00-00	.BALL	2	
6	64E-43843-10-00	..SCREW, VALVE LOCK	4	
7	64E-43841-00-00	.PISTON, SHUTTLE	2	
8	64E-43802-00-00	.VALVE SUB ASSY	2	
9	6E5-43896-00-00	..O-RING	1	
10	6G5-43863-00-00	.O-RING	1	
11	64E-43851-00-00	.SEAT, RELIEF VALVE	1	
12	64E-43858-00-00	.BALL	1	
13	64E-43859-00-00	.PIN, VALVE SUPPORT	1	
14	64E-43855-00-00	.SPRING, UP RELIEF	1	
15	6E5-43826-01-00	.PLUG, TAPER SCREW	2	
16	64E-43850-00-00	..VALVE SUB ASSY	1	
17	64E-43865-00-00	.O-RING	1	
18	64E-43816-00-00	.FILTER 1	2	
19	64E-43858-00-00	.BALL	2	
20	64E-43817-10-00	FILTER 2	1	
21	64E-43860-00-00	MANUAL VALVE SUB-ASSY	1	
22	72X-85075-L0-00	.O-RING	1	
23	64E-43862-00-00	.O-RING	1	
24	64E-43875-00-00	RING, SNAP	1	
25	64E-43879-10-00	SCREW, WITH WASHER	1	
26	64E-43879-00-00	SCREW, WITH WASHER	2	
27	64E-43880-00-00	MOTOR ASSY	1	
28	6H1-4386K-10-00	.SPRING, BRUSH	2	
29	64E-43891-00-00	.BRUSH 1	1	
30	97607-04310-00	.SCREW,WITH WASHER	2	
31	64E-43892-00-00	.BREAKER COMP (BRUSH 2)	1	
32	6G5-43865-00-00	.O-RING	1	
33	93102-08M43-00	.OIL SEAL	1	

P175TLRW 1998 / CONTROL



64FUS-6140  
1-27-10

©2013 Yamaha Motor Corporation, U.S.A. All rights reserved.



## Part List


P175TLRW 1998 / CONTROL

REF - NO	PART NUMBER	PART NAME	QUANTITY	REMARKS
1	64D-48531-00-00	BRACKET, REMOTE CONTROL 1	1	
2	64D-48532-00-00	BRACKET, REMOTE CONTROL 2	1	
3	6E5-48538-00-00	CLAMP, CABLE	2	
4	91690-30012-00	PIN, SPRING	2	
5	97095-08020-00	BOLT	1	
6	92995-08100-00	WASHER	1	
7	61H-41632-02-94	LEVER, MAGNETO CONTROL	1	
8	662-41214-01-00	.JOINT 1	1	
9	6E5-48344-00-00	CABLE END, REMOTE CONTROL	1	
10	90468-18008-00	CLIP	1	
11	6G5-41631-01-94	LEVER, MAGNETO CONTROL	1	
12	663-85518-00-00	JOINT, BALL	1	
13	90157-06013-00	SCREW, PAN HEAD	1	
14	90501-16M12-00	SPRING, COMPRESSION	1	
15	95380-06600-00	NUT, HEXAGON	1	
16	688-44194-00-00	CAP	1	
17	90387-08M17-00	COLLAR	1	
18	90101-08M14-00	BOLT	1	
19	90201-08M23-00	WASHER, PLATE	1	
20	90386-12089-00	BUSH	1	
21	90387-08M16-00	COLLAR	1	
22	90386-22M13-00	BUSH	1	
23	90202-12092-00	WASHER, PLATE	1	
24	90201-08M13-00	WASHER, PLATE	1	
25	90508-29M12-00	SPRING, TORSION	1	
26	6G5-41636-01-00	ROD, MAGNETO CONTROL	1	
27	95380-05600-00	NUT	1	
28	662-41237-01-00	JOINT, LINK	1	
29	90157-06M07-00	SCREW, PAN HEAD	1	
30	95803-06600-00	NUT	1	
31	688-44194-00-00	CAP	1	
32	682-41237-50-00	JOINT, LINK	1	
33	95380-05600-00	NUT	1	
34	662-41237-01-00	JOINT, LINK	1	
35	61H-41213-00-00	CAM, ACCEL.	1	
36	90387-06M29-00	COLLAR	1	
37	90206-10M04-00	WASHER, WAVE	1	
38	97095-06025-00	BOLT	1	
39	6E5-44117-00-94	BRACKET	1	
40	97013-06020-00	BOLT	2	
41	92903-06600-00	WASHER, PLATE	2	
42	6E5-44121-01-00	LEVER, SHIFT ROD	1	
43	6E5-44122-00-00	BUSHING, SHIFT ROD LEVER	1	
44	90202-08M20-00	WASHER, PLATE	1	
45	90468-18008-00	CLIP	3	
46	6E5-48344-00-00	CABLE END, REMOTE CONTROL	1	
47	90386-06M12-00	BUSH	1	
48	6E5-44118-01-94	BRACKET	1	
49	97013-08030-00	BOLT	2	
50	92903-08600-00	WASHER, PLATE	2	
51	93501-04M02-00	BALL	1	

52	90501-12082-00	SPRING, COMPRESSION	1	
53	648-42715-00-00	BUSHING	1	
54	93700-06M03-00	NIPPLE, GREASE	1	
55	6E5-44120-03-00	HANDLE GEAR SHIFT ASSY	1	
56	93210-09165-00	O-RING	1	
57	90386-16M66-00	BUSH	1	
58	90202-16061-00	WASHER, PLATE	2	
59	99009-16006-00	CIRCLIP	1	

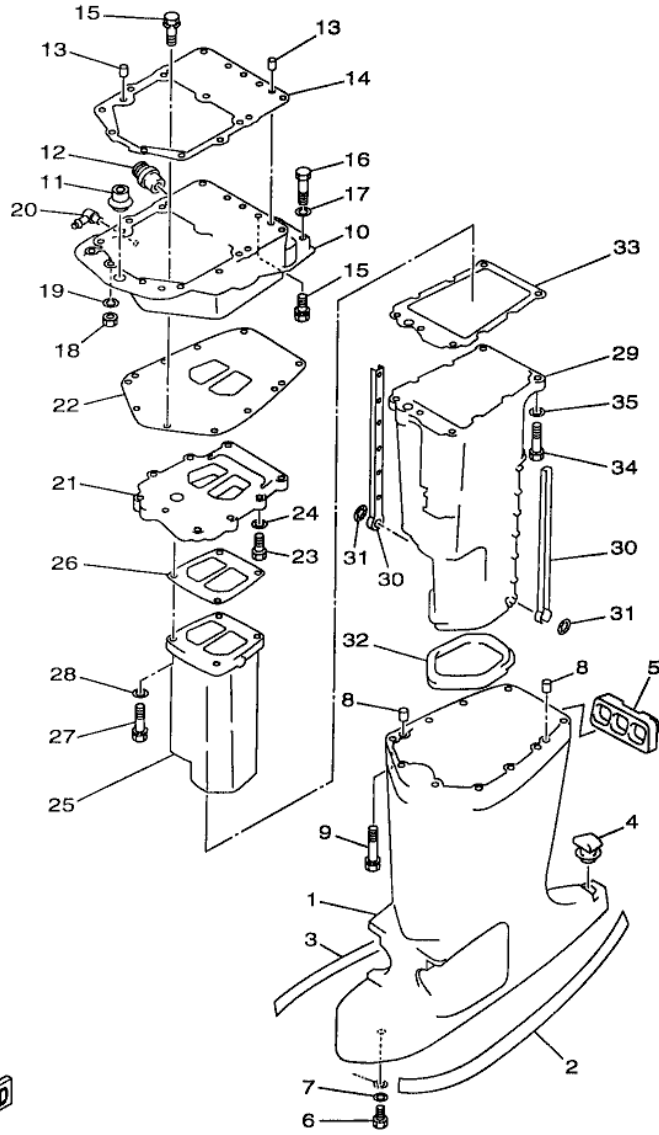
Part Notes

P175TLRW 1998 / CONTROL

PART NUMBER		NOTE TEXT
93700-06M03-00		OEM: This part number is among the Top 100 Most Popular Marine Maintenance Parts as of August 2013.

©2013 Yamaha Motor Corporation, U.S.A. All rights reserved.

P175TLRW 1998 / UPPER CASING



  
64LUS-8160

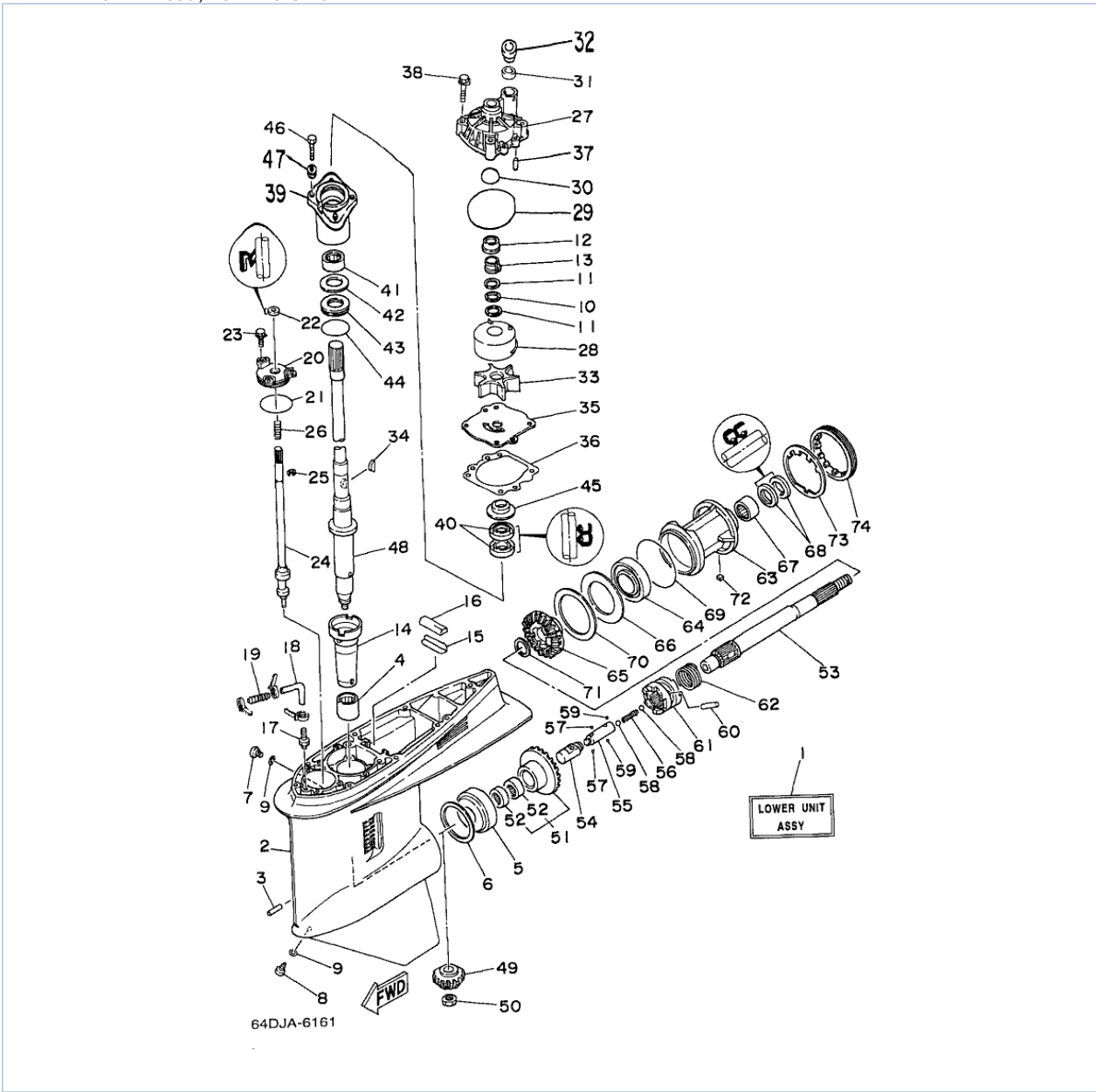
©2013 Yamaha Motor Corporation, U.S.A. All rights reserved.

## Part List

P175TLRW 1998 / UPPER CASING

REF - NO	PART NUMBER	PART NAME	QUANTITY	REMARKS
1	6E5-45111-01-8D	CASING, UPPER	1	
2	6N9-42791-40-00	MARK 1	1	
3	6N9-42792-40-00	MARK 2	1	
4	6E5-45155-00-00	CAP	1	
5	6E5-42769-00-00	SEAL, RUBBER	1	
6	97095-06010-00	BOLT	1	
7	92995-06600-00	WASHER	1	
8	93608-12M05-00	PIN, DOWEL	2	
9	90119-08M78-00	BOLT, WITH WASHER	6	
10	6G5-41137-11-94	GUIDE, EXHAUST	1	
11	6E5-42724-00-00	GROMMET	1	
12	6G5-12581-00-00	JOINT, HOSE 1	1	
13	93608-12M05-00	PIN, DOWEL	2	
14	6G5-45113-A1-00	.GASKET, UPPER CASING	1	
15	90119-08M79-00	BOLT, WITH WASHER	6	
16	97095-08045-00	.BOLT	2	
17	92995-08100-00	WASHER	2	
18	95380-08700-00	NUT	2	
19	92995-08100-00	WASHER	2	
20	6H1-11372-00-00	.NIPPLE, HOSE	1	
21	6G5-41131-01-5B	MANIFOLD, EXT. 1	1	
22	6G5-45114-A0-00	GASKET, UPPER CASING	1	
23	97095-08030-00	BOLT	4	
24	92995-08600-00	WASHER	4	
25	64D-41132-00-5B	MANIFOLD, EXHAUST	1	
26	6G5-41134-A0-00	.GASKET, EXHAUST MANIFOLD	1	
27	97095-08045-00	.BOLT	4	
28	92995-08600-00	WASHER	4	
29	6E5-14711-01-5B	MUFFLER 1	1	
30	6E5-14737-00-00	DAMPER, MUFFLER	2	
31	90183-05M02-00	NUT, SPRING	2	
32	6E5-45123-00-00	.GASKET, MUFFLER	1	
33	6E5-41135-A0-00	.GASKET, EXHAUST MANIFOLD	1	
34	97095-08045-00	.BOLT	5	
35	92995-08600-00	WASHER	5	

P175TLRW 1998 / LOWER CASING DRIVE 1



©2013 Yamaha Motor Corporation, U.S.A. All rights reserved.

## Part List






P175TLRW 1998 / LOWER CASING DRIVE 1

REF - NO	PART NUMBER	PART NAME	QUANTITY	REMARKS
1	64L-45300-01-NA	LOWER UNIT ASSEMBLY	1	UR P175
1	64K-45300-01-NA	LOWER UNIT ASSY	1	UR P150
1	64M-45300-01-NA	LOWER UNIT ASSY	1	UR P200
2	6J9-45301-03-NA	CASING, LOWER	1	
3	91690-30016-00	PIN, SPRING	1	
4	93311-928U5-00	BEARING	1	
5	93332-000V3-00	BEARING	1	
6	6G5-45567-01-12	SHIM (T:0.12MM)	1	UR
6	6G5-45567-01-40	SHIM (T:0.40MM)	1	UR
6	6G5-45567-01-30	SHIM (T:0.30MM)	1	UR
6	6G5-45567-01-50	SHIM (T:0.50MM)	1	UR
6	6G5-45567-01-10	SHIM (T:0.10MM)	1	UR
6	6G5-45567-01-15	SHIM (T:0.15MM)	1	UR
6	6G5-45567-01-18	SHIM (T:0.18MM)	1	UR
7	90340-08M04-00	PLUG, STRAIGHT SCREW	1	
8	688-45341-00-00	PLUG, DRAIN	1	
9	90430-08020-00	.GASKET	2	
10	90206-22M19-00	WASHER, WAVE	1	
11	90201-22M01-00	WASHER, PLATE	2	
12	61A-45527-00-00	COLLAR, DRIVE SHAFT	1	
13	61A-45538-00-00	SPACER 1	1	
14	6G5-45536-01-00	SLEEVE, DRIVE SHAFT	1	
15	663-45376-00-94	GUIDE, SEAL DAMPER	1	
16	688-45375-00-00	DAMPER, SEAL	1	
17	6E5-45378-00-00	NIPPLE, HOSE	1	
18	90445-07ME8-00	HOSE (L80)	1	
19	6E5-83558-10-00	END, NIPPLE	1	
20	6E5-45321-00-00	PLATE	1	
21	93210-58144-00	.O-RING	1	
22	93106-09014-00	.OIL SEAL	1	
23	90119-06M10-00	BOLT, WITH WASHER	3	
24	6G5-44150-01-00	SHIFT CAM ASSY	1	
25	93430-08006-00	CIRCLIP	1	
26	90501-11M10-00	SPRING, COMPRESSION	1	
27	61A-44311-01-00	HOUSING, WATER PUMP	1	
28	61A-44322-01-00	INSERT, CARTRIDGE	1	
29	93210-86M38-00	.O-RING	1	
30	93210-37160-00	.O-RING	1	
31	6E5-44365-00-00	DAMPER, WATER SEAL 1	1	
32	6E5-44312-00-00	COVER, WATER PUMP HOUSING	1	
33	6E5-44352-00-00	IMPELLER	1	
34	90280-04M05-00	.KEY, WOODRUFF	1	
35	6G5-44323-00-00	.OUTER PLATE, CARTRIDGE	1	
36	6E5-44315-A0-00	.GASKET, WATER PUMP	1	
37	93606-12019-00	.PIN, DOWEL	2	
38	90119-08M14-00	.BOLT, WITH WASHER	4	
39	6E5-45331-00-94	HOUSING, BEARING	1	
40	93101-28M16-00	.OIL SEAL	2	
41	93317-330U2-00	BEARING	1	
42	6E5-45587-01-30	SHIM (T:0.30MM)	1	UR
42	6E5-45587-01-50	SHIM (T:0.50MM)	1	UR
42	6E5-45587-01-10	SHIM (T:0.10MM)	1	UR 6E5-45587-01-12SHIM (T:0.12MM)1UR
42	6E5-45587-01-15	SHIM (T:0.15MM)	1	UR

42	6E5-45587-01-18	SHIM (T:0.18MM)	1	UR
42	6E5-45587-01-40	SHIM (T:0.40MM)	1	UR
43	93341-930V2-00	BEARING	1	
44	93210-55M14-00	.O-RING	1	
45	6E5-45344-00-00	COVER, OIL SEAL	1	
46	97095-08025-00	BOLT	4	
47	92995-08600-00	WASHER	4	
48	6G5-45501-01-00	DRIVE SHAFT COMP.	1	
49	6G5-45551-01-00	PINION (14T)	1	UR P175
49	61H-45551-00-00	PINION (14T)	1	UR P200
49	6J9-45551-01-00	PINION (14T)	1	UR P150
50	90170-16M01-00	NUT	1	
51	6G5-45560-01-00	GEAR 1 (26T)	1	UR P175
51	61H-45560-00-00	GEAR 1 (26T)	1	UR P200
51	6J9-45560-03-00	GEAR 1 (28T)	1	UR P150
52	93315-425V3-00	.BEARING	2	
53	6J9-45611-01-00	SHAFT, PROPELLER	1	
54	6E5-45641-01-00	SHIFTER	1	
55	6E5-45634-01-00	SLIDE, SHIFT	1	
56	90501-16M37-00	SPRING, COMPRESSION	1	
57	93507-32009-00	.BALL	2	
58	93511-32017-00	BALL	2	
59	93503-16003-00	BALL	2	
60	90250-08M07-00	PIN, STRAIGHT	1	
61	6G5-45631-10-00	CLUTCH, DOG	1	
62	6E5-45633-01-00	RING, CROSS PIN	1	
63	6J9-45332-00-94	HOUSING, BEARING	1	
64	93306-209U0-00	BEARING	1	
65	6G5-45571-02-00	GEAR 2 (26T)	1	UR P175
65	6J9-45571-02-00	GEAR 2 (28T)	1	UR P150
65	61H-45571-01-00	GEAR 2 (26T)	1	UR P200
66	6G5-45576-00-00	WASHER, THRUST	1	
67	93315-430U8-00	BEARING	1	
68	93101-30M17-00	.OIL SEAL	2	
69	93210-97M55-00	.O-RING	1	
70	6G5-45577-02-12	SHIM (T:0.12MM)	1	UR
70	6G5-45577-02-30	SHIM (T:0.30MM)	1	UR
70	6G5-45577-02-50	SHIM (T:0.50MM)	1	UR
70	6G5-45577-02-10	SHIM (T:0.10MM)	1	UR
70	6G5-45577-02-15	SHIM (T:0.15MM)	1	UR
70	6G5-45577-02-18	SHIM (T:0.18MM)	1	UR
70	6G5-45577-02-40	SHIM (T:0.40MM)	1	UR
71	90201-30M92-00	WASHER, PLATE	1	
72	90282-04M00-00	KEY, STRAIGHT	1	
73	6G5-45383-01-00	WASHER, CLAW	1	
74	6G5-45384-00-00	NUT	1	

Part Notes

P175TLRW 1998 / LOWER CASING DRIVE 1

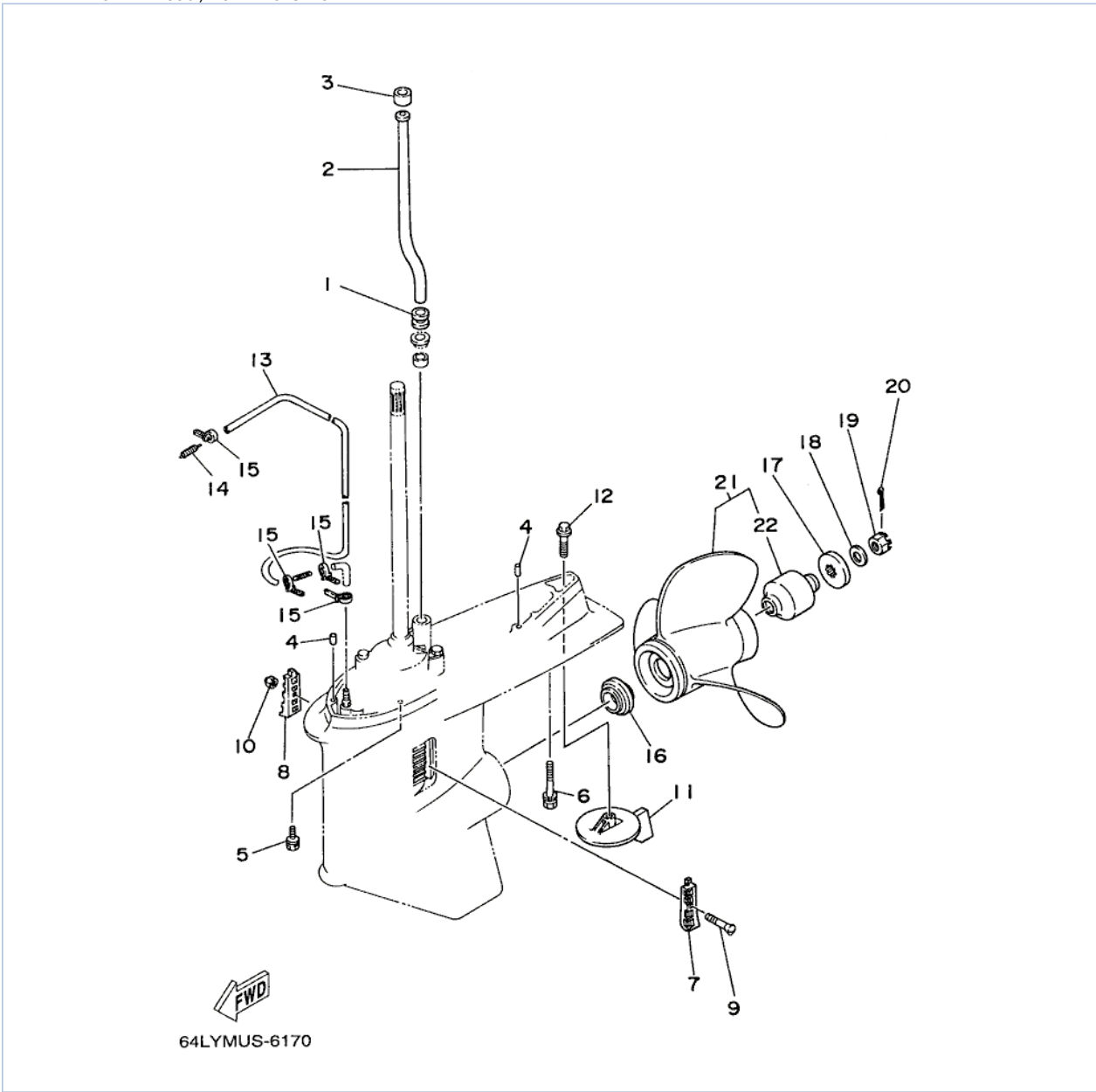
PART NUMBER	NOTE TEXT
90430-08020-00 	OEM: This part number is among the Top 100 Most Popular Marine Maintenance Parts as of August 2013.
90201-22M01-00 	OEM: This part number is among the Top 100 Most Popular Marine Maintenance Parts as of August 2013.
61A-45527-00-00 	OEM: This part number is among the Top 100 Most Popular Marine Maintenance Parts as of August 2013.
61A-45538-00-00 	OEM: This part number is among the Top 100 Most Popular Marine Maintenance Parts as of August 2013.
93106-09014-00 	OEM: This part number is among the Top 100 Most Popular Marine Maintenance Parts as of August 2013.

61A-44311-01-00		OEM: This part number is among the Top 100 Most Popular Marine Maintenance Parts as of August 2013.
93210-86M38-00		OEM: This part number is among the Top 100 Most Popular Marine Maintenance Parts as of August 2013.
93101-28M16-00		OEM: This part number is among the Top 100 Most Popular Marine Maintenance Parts as of August 2013.
93101-30M17-00		OEM: This part number is among the Top 100 Most Popular Marine Maintenance Parts as of August 2013.

©2013 Yamaha Motor Corporation, U.S.A. All rights reserved.



P175TLRW 1998 / LOWER CASING DRIVE 2



©2013 Yamaha Motor Corporation, U.S.A. All rights reserved.




## Part List

P175TLRW 1998 / LOWER CASING DRIVE 2

REF - NO	PART NUMBER	PART NAME	QUANTITY	REMARKS
1	6E5-44366-00-00	DAMPER, WATER SEAL 2	1	
2	6E5-44361-00-00	TUBE, WATER 1	1	
3	6E5-44365-00-00	DAMPER, WATER SEAL 1	1	
4	93608-12M05-00	PIN, DOWEL	2	
5	90101-10M70-00	BOLT	6	
6	90119-10M89-00	BOLT, WITH WASHER	1	
7	6J9-45214-00-00	COVER, WATER INLET 1	1	
8	6J9-45215-00-00	COVER, WATER INLET 2	1	
9	90142-05M04-00	SCREW	1	
10	90185-05002-00	NUT, NYLON	1	
11	6J9-45371-01-00	TAB-TRIM	1	
12	90105-10M00-00	BOLT, FLANGE	1	
13	90445-07M33-00	HOSE (L1080)	1	
14	6E5-83558-00-00	END, NIPPLE	1	
15	90465-11M10-00	CLAMP	4	
16	6E5-45987-01-00	SPACER 1	1	
17	688-45997-01-00	SPACER 2	1	
18	92990-18200-00	WASHER	1	
19	90171-18M04-00	NUT, CASTLE	1	
20	91490-40030-00	PIN. COTTER	1	
21	6J9-45972-B0-00	PROPELLER, PRO SERIES (25 X 14-1/2"-M)	1	UR
21	6J9-45970-B0-00	PROPELLER, PRO SERIES (27 X 14-1/2"-M)	1	UR
21	6J9-45976-00-00	PROPELLER (3X14-1/2"X21"-M)	1	UR
21	6J9-45974-B0-00	PROPELLER, PRO SERIES (23 X 14-1/2"-M)	1	UR
22	6G5-45981-00-00	DAMPER RUBBER, PROPELLER	1	

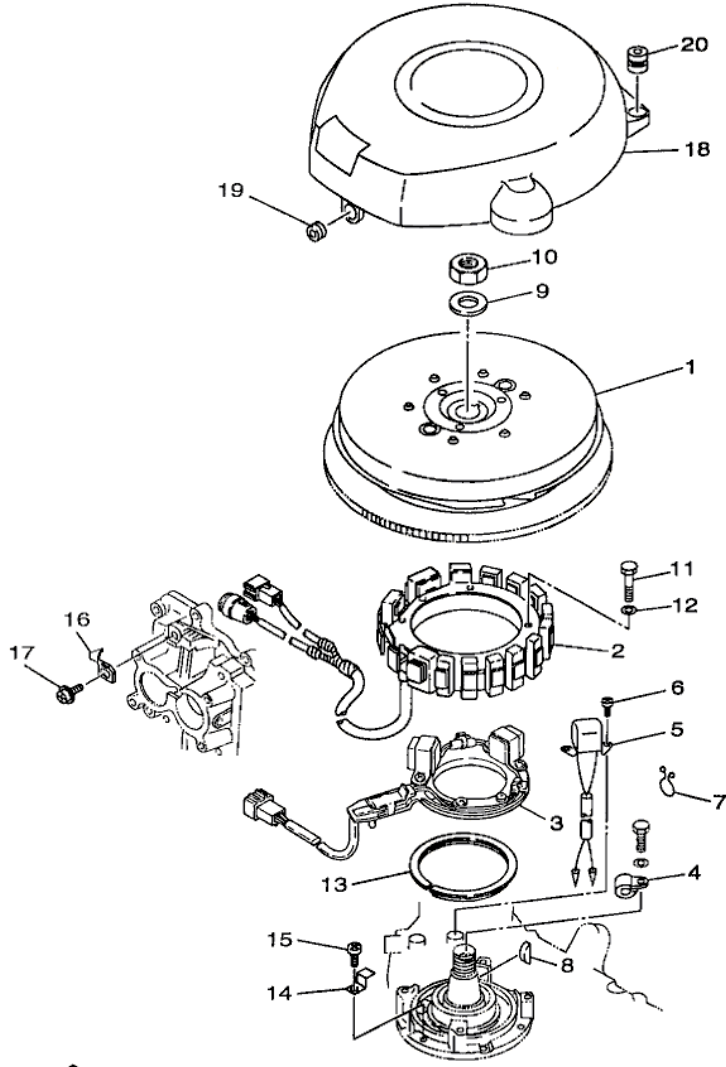
## Part Notes


P175TLRW 1998 / LOWER CASING DRIVE 2

PART NUMBER		NOTE TEXT
6J9-45371-01-00		OEM: This part number is among the Top 100 Most Popular Marine Maintenance Parts as of August 2013.
90105-10M00-00		OEM: This part number is among the Top 100 Most Popular Marine Maintenance Parts as of August 2013.
91490-40030-00		OEM: This part number is among the Top 100 Most Popular Marine Maintenance Parts as of August 2013.

©2013 Yamaha Motor Corporation, U.S.A. All rights reserved.

P175TLRW 1998 / GENERATOR



  
64FJA-8190  
4-30-10

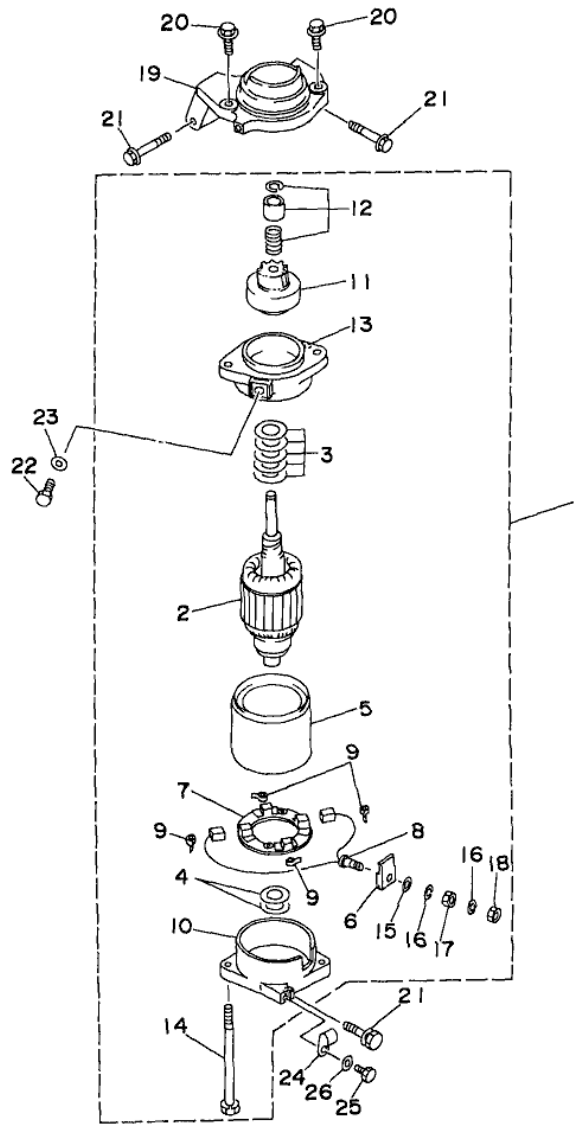
©2013 Yamaha Motor Corporation, U.S.A. All rights reserved.

## Part List

P175TLRW 1998 / GENERATOR

REF - NO	PART NUMBER	PART NAME	QUANTITY	REMARKS
1	64D-85550-00-00	ROTOR ASSEMBLY	1	
2	6R3-85510-00-00	STATOR ASSY	1	
3	64D-85580-00-00	COIL, PULSER	1	
4	90465-08M07-00	CLAMP	1	
5	6R5-85895-01-00	CRANK POSITION SENDER	1	
6	98580-05012-00	SCREW, PAN HEAD	2	
7	90464-15M11-00	CLAMP	1	
8	90280-05015-00	KEY, WOODRUFF	1	
9	90201-21M18-00	WASHER, PLATE	1	
10	90170-20137-00	NUT	1	
11	97013-06070-00	BOLT	4	
12	92903-06600-00	WASHER, PLATE	4	
13	688-41611-00-00	RETAINER, MAGNETO BASE	1	
14	688-41612-00-00	RETAINER, MAGNETO BASE	4	
15	97880-06018-00	SCREW, PAN HEAD	4	
16	6E5-81332-00-00	PLATE, TIMING	1	
17	97985-06210-00	SCREW, WITH WASHER	1	
18	64D-81337-01-00	COVER, FLYWHEEL	1	
19	90480-13M24-00	GROMMET	1	
20	663-82317-01-00	DAMPER, IGNITION COIL	2	

P175TLRW 1998 / STARTING MOTOR



  
64FJA-7200

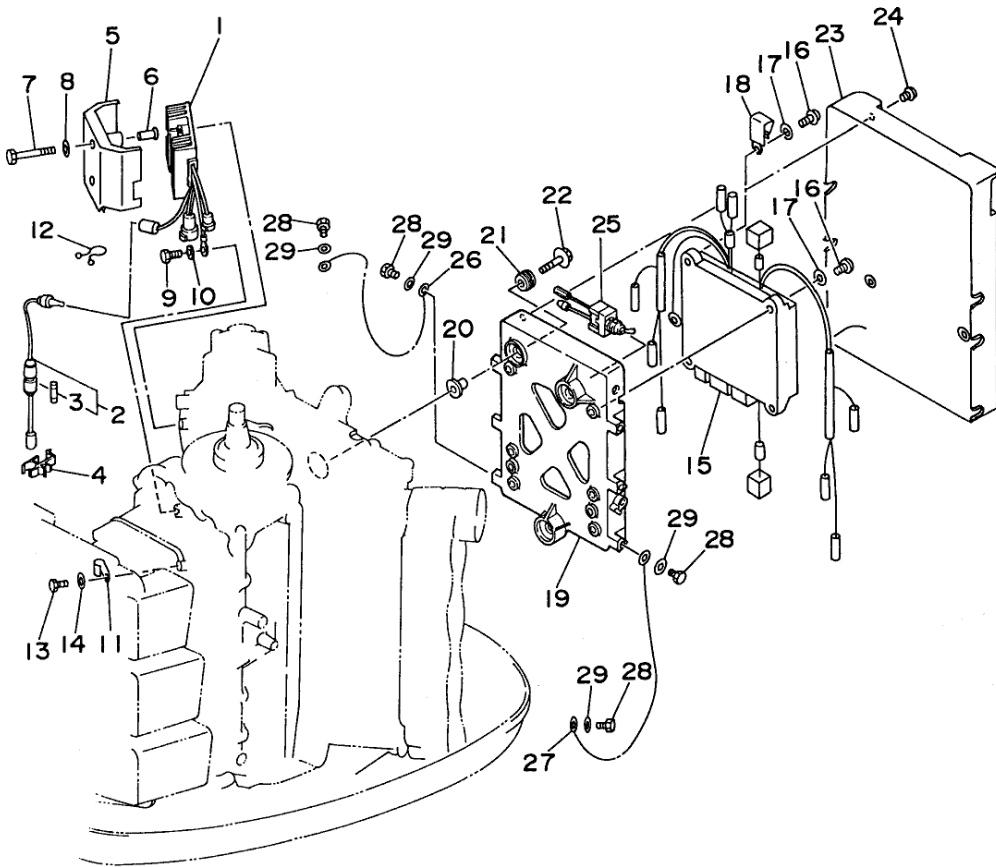
©2013 Yamaha Motor Corporation, U.S.A. All rights reserved.

## Part List

P175TLRW 1998 / STARTING MOTOR

REF - NO	PART NUMBER	PART NAME	QUANTITY	REMARKS
1	6N7-81800-00-00	STARTING MOTOR ASSEMBLY	1	
2	6N7-81850-00-00	.ARMATURE ASSEMBLY	1	
3	61A-81809-00-00	.WASHER KIT	1	
4	61A-81824-00-00	.WASHER 2	2	
5	6N7-81810-00-00	.STATOR ASSY	1	
6	6K7-8182G-10-00	.BUSH, TERMINAL	1	
7	6N7-81840-00-00	.BRUSH HOLDER ASSY	1	
8	6N7-81801-00-00	.BRUSH SET	1	
9	6N7-81813-00-00	.SPRING, BRUSH	4	
10	6N7-81820-00-00	.REAR BRACKET ASSY	1	
11	61H-81807-00-00	.GEAR ASSEMBLY, STARTING MOTOR	1	
12	61H-81857-00-00	.RETAINER	1	
13	6N7-81830-00-00	.FRONT BRACKET ASSY	1	
14	6K7-81826-10-00	.BOLT	2	
15	6E5-8182E-10-00	.WASHER	1	
16	6E5-8182F-10-00	.WASHER	2	
17	6E5-8182A-10-00	.NUT	1	
18	6E5-8182K-10-00	.NUT	1	
19	6K7-81822-00-94	BRACKET, STARTING MOTOR	1	
20	90119-08M76-00	BOLT, WITH WASHER	2	
21	90119-08M77-00	BOLT, WITH WASHER	3	
22	97095-08016-00	BOLT	1	
23	92995-08600-00	WASHER	1	
24	90465-08M07-00	CLAMP	1	P200
25	97095-06012-00	BOLT	1	P200
26	92995-06600-00	WASHER	1	P200

P175TLRW 1998 / ELECTRICAL 1



64DJA-6200

©2013 Yamaha Motor Corporation, U.S.A. All rights reserved.


## Part List

P175TLRW 1998 / ELECTRICAL 1

REF - NO	PART NUMBER	PART NAME	QUANTITY	REMARKS
1	6R3-81960-10-00	RECTIFIER & REGULATOR ASSY	1	
2	6R3-82150-00-00	FUSE HOLDER ASSY	1	
3	705-82151-00-00	.FUSE (30A)	1	
4	6G5-82152-00-00	HOLDER, FUSE	1	
5	64D-81942-00-00	COVER	1	
6	90387-06M66-00	COLLAR	2	
7	97013-06055-00	BOLT	2	
8	92903-06600-00	WASHER, PLATE	2	
9	97013-06012-00	BOLT	1	
10	92903-06600-00	WASHER, PLATE	1	
11	90465-08M51-00	CLAMP	1	
12	90464-15M11-00	CLAMP	1	
13	97013-06012-00	BOLT	1	
14	92903-06600-00	WASHER, PLATE	1	
15	64E-85540-01-00	C.D.I. UNIT ASSEMBLY	1	UR P175/ P200
15	64D-85540-01-00	C.D.I. UNIT ASSY	1	UR P150
16	97880-06020-00	SCREW, PAN HEAD	4	
17	92990-06600-00	WASHER, PLATE	4	
18	90465-08M33-00	CLAMP	1	
19	6R3-85542-03-4D	BRACKET	1	
20	90387-06M03-00	COLLAR	3	
21	90480-09M12-00	GROMMET	3	
22	90119-06M60-00	BOLT, WITH WASHER	3	
23	64D-85537-00-00	COVER	1	
24	90159-06M11-00	SCREW, WITH WASHER	4	
25	6R3-8259E-00-00	SWITCH ASSY	1	
26	662-82519-00-00	WIRE, EARTH LEAD	1	
27	6R3-82519-00-00	WIRE, EARTH LEAD	1	
28	97095-06012-00	BOLT	5	
29	92995-06600-00	WASHER	5	

## Part Notes

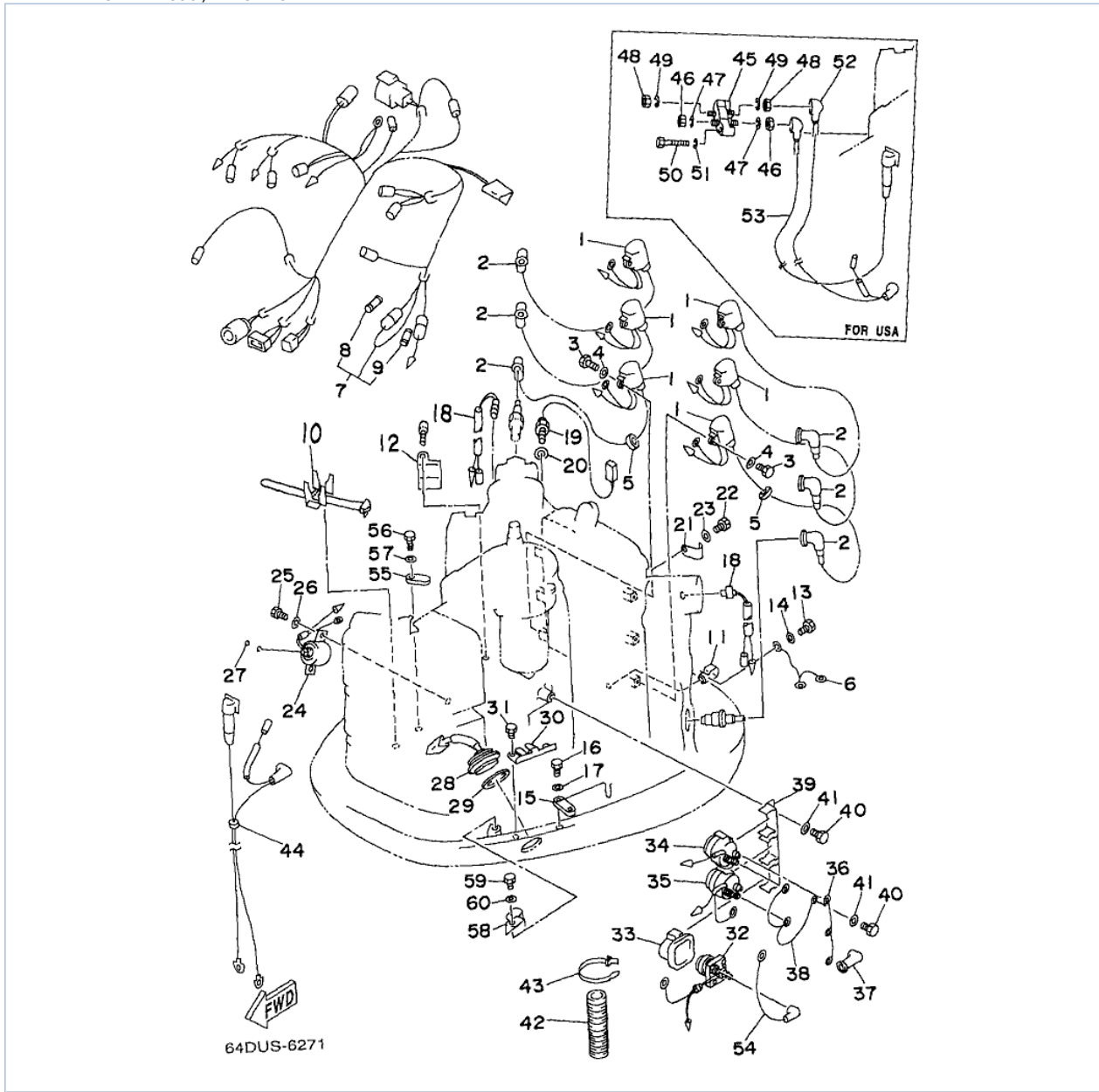
P175TLRW 1998 / ELECTRICAL 1

PART NUMBER	NOTE TEXT
92990-06600-00 	OEM: This part number is among the Top 100 Most Popular Marine Maintenance Parts as of August 2013.

©2013 Yamaha Motor Corporation, U.S.A. All rights reserved.



P175TLRW 1998 / ELECTRICAL 2



©2013 Yamaha Motor Corporation, U.S.A. All rights reserved.

## Part List





P175TLRW 1998 / ELECTRICAL 2

REF - NO	PART NUMBER	PART NAME	QUANTITY	REMARKS
1	6R3-85570-01-00	IGNITION COIL ASSY	6	
2	6E3-82370-20-00	PLUG CAP ASSY	6	
3	97095-06020-00	BOLT	6	
4	92995-06600-00	WASHER	6	
5	90480-25161-00	GROMMET	2	
6	6E5-82531-00-00	WIRE, LEAD	1	
7	64D-82590-00-00	WIRE HARNESS ASSY	1	
8	663-82151-00-00	.FUSE (12V-20A)	1	
9	705-82151-00-00	.FUSE (30A)	1	
10	688-82594-00-00	CLAMP	1	
11	90465-08M33-00	CLAMP	1	
12	90465-10M14-00	CLAMP	1	
13	97095-06012-00	BOLT	1	
14	92990-06600-00	WASHER, PLATE	1	
15	6K7-82588-00-00	PLATE	1	
16	97095-06020-00	BOLT	1	
17	92995-06600-00	WASHER	1	
18	688-82560-10-00	THERMO SWITCH ASSY	2	
19	61A-85790-00-00	THERMOSENSOR ASSY	1	
20	92990-10600-00	WASHER, PLATE	1	
21	90465-08M07-00	CLAMP	1	
22	97095-06012-00	BOLT	1	
23	92995-06600-00	WASHER	1	
24	64E-86110-00-00	SOLENOID	1	
25	97095-06016-00	BOLT	2	
26	92995-06600-00	WASHER	2	
27	93210-03261-00	O-RING	1	
28	6R3-82563-00-00	TRIM & TILT SWITCH ASSY	1	
29	6E5-82587-00-00	GASKET	1	
30	6R3-83614-00-00	BRACKET	1	
31	97095-06012-00	BOLT	2	
32	61A-81941-00-00	STARTER RELAY ASSY	1	
33	689-81952-10-00	HOLDER, RELAY	1	
34	6E5-81950-00-00	RELAY ASSY	1	
35	6E5-8195A-00-00	RELAY ASSY	1	
36	6G5-87149-10-00	CONNECTOR	1	
37	6G5-82119-00-00	COVER, LEAD WIRE	2	
38	6E5-82116-00-00	WIRE, MINUS LEAD	1	
39	6G5-81948-11-00	BRACKET	1	
40	97095-06016-00	BOLT	2	
41	92995-06600-00	WASHER	2	
42	6E9-83557-70-00	TUBE	1	
43	90465-13M18-00	CLAMP	1	
44	64D-82105-00-00	BATTERY CABLE	1	
45	64D-81920-01-00	TERMINAL ASSY	1	
46	95380-08700-00	NUT	2	
47	92990-08100-00	WASHER, SPRING	2	
48	95380-06700-00	NUT	2	
49	92995-06100-00	WASHER, SPRING	2	
50	97095-06035-00	BOLT	2	
51	92995-06100-00	WASHER, SPRING	2	
52	64D-82117-00-00	WIRE, LEAD	1	
53	64D-82116-00-00	WIRE, MINUS LEAD	1	

54	6E5-82117-00-00	WIRE, LEAD	1	UR P150/ P175
54	6K7-82117-00-00	WIRE, LEAD	1	UR P200
55	6E5-82588-00-00	PLATE	1	
56	97095-06020-00	BOLT	1	
57	92995-06600-00	WASHER	1	
58	90465-12M25-00	CLAMP	1	
59	97095-06012-00	BOLT	1	
60	92995-06600-00	WASHER	1	

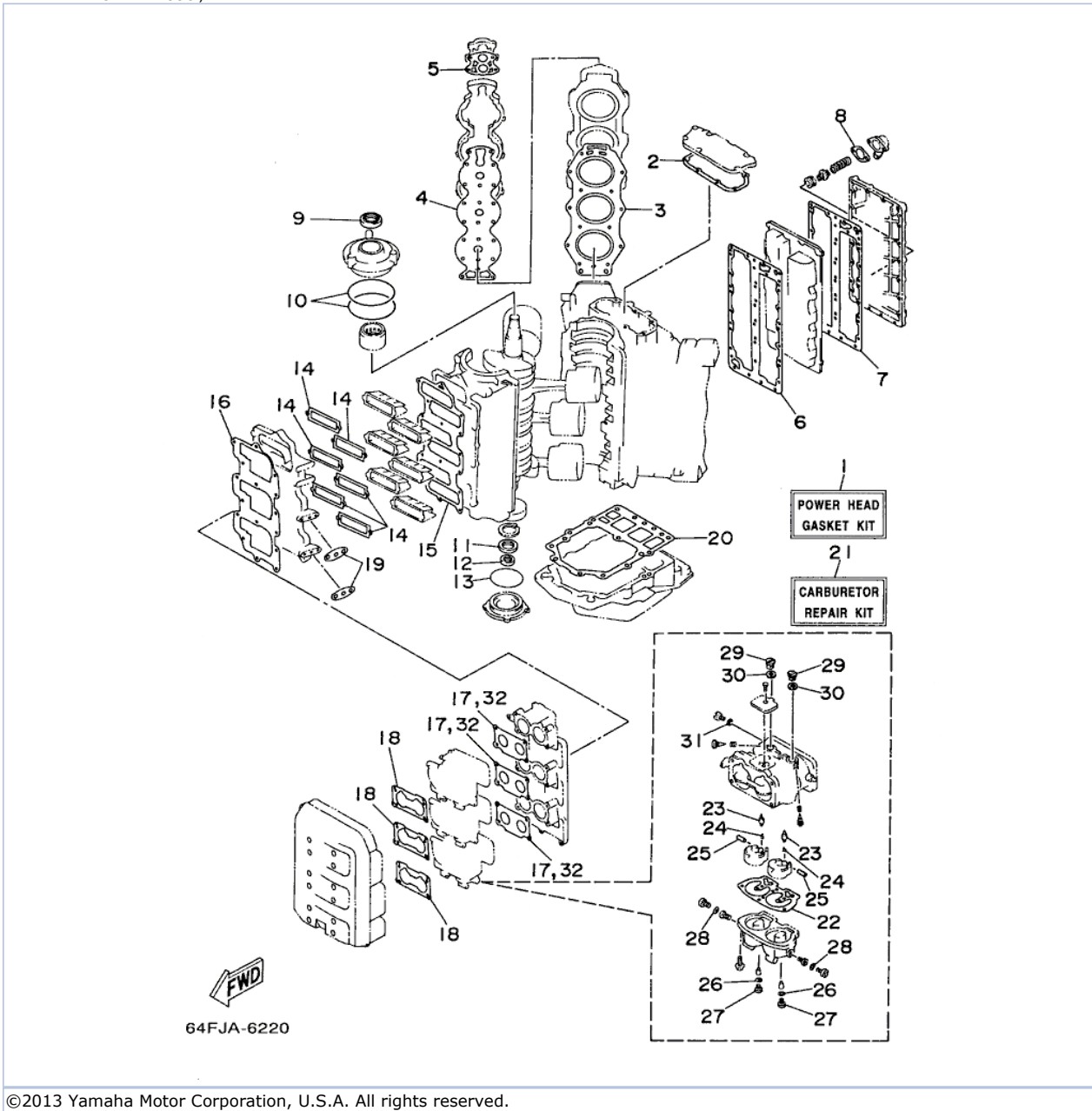
Part Notes

P175TLRW 1998 / ELECTRICAL 2

PART NUMBER		NOTE TEXT
92990-06600-00		OEM: This part number is among the Top 100 Most Popular Marine Maintenance Parts as of August 2013.
92990-10600-00		OEM: This part number is among the Top 100 Most Popular Marine Maintenance Parts as of August 2013.
92995-06100-00		OEM: This part number is among the Top 100 Most Popular Marine Maintenance Parts as of August 2013.
92995-06100-00		OEM: This part number is among the Top 100 Most Popular Marine Maintenance Parts as of August 2013.

©2013 Yamaha Motor Corporation, U.S.A. All rights reserved.

P175TLRW 1998 / REPAIR KIT 1





Part List

P175TLRW 1998 / REPAIR KIT 1

REF - NO	PART NUMBER	PART NAME	QUANTITY	REMARKS
1	64F-W0001-00-00	POWER HEAD GASKET KIT	1	
2	6E5-11381-A2-00	.GASKET 1	1	
3	6G5-11181-A1-00	.GASKET, CYLINDER HEAD 1	2	
4	6G5-11193-A0-00	.GASKET, HEAD COVER 1	2	
5	688-12414-A1-00	.GASKET, COVER	2	
6	6G5-41112-A1-00	.GASKET, EXHAUST INNER COVER	1	
7	6G5-41114-A0-00	.GASKET, EXHAUST OUTER COVER	1	
8	6G5-11382-A1-00	.GASKET 2	1	
9	93102-40M14-00	.OIL SEAL	1	
10	93211-04M36-00	.O-RING	2	
11	93102-35M13-00	.OIL SEAL	1	
12	93101-22M15-00	.OIL SEAL	1	
13	93210-74M35-00	.O-RING	1	
14	6K7-13621-A1-00	.GASKET, VALVE SEAT	6	
15	6K7-13646-A2-00	.GASKET, MANIFOLD 2	1	
16	64E-13645-A0-00	.GASKET, MANIFOLD 1	1	
17	6E5-14198-A2-00	.GASKET	3	
18	6K7-14483-00-00	.GASKET	3	
19	650-24431-A0-00	.GASKET, FUEL PUMP 1	2	
20	6G5-45113-A1-00	.GASKET, UPPER CASING	1	
21	64D-W0093-00-00	CARBURETOR REPAIR KIT	1	
22	64D-14384-00-00	.GASKET, FLOAT CHAMBER	1	
23	6E5-14546-00-00	.VALVE, NEEDLE	2	
24	6E5-14159-00-00	.CLIP	2	
25	6E5-14386-02-00	.PIN, FLOAT	2	
26	61U-14959-00-00	.GASKET	2	
27	64D-14394-00-00	.VALVE, DRAIN	2	
28	6E5-14398-01-00	.GASKET	2	
29	6E5-14328-01-00	.PLUG	2	
30	6E5-14979-00-00	.GASKET	2	
31	6J8-14995-00-00	.GASKET	1	
32	6E5-14198-A2-00	.GASKET	1	

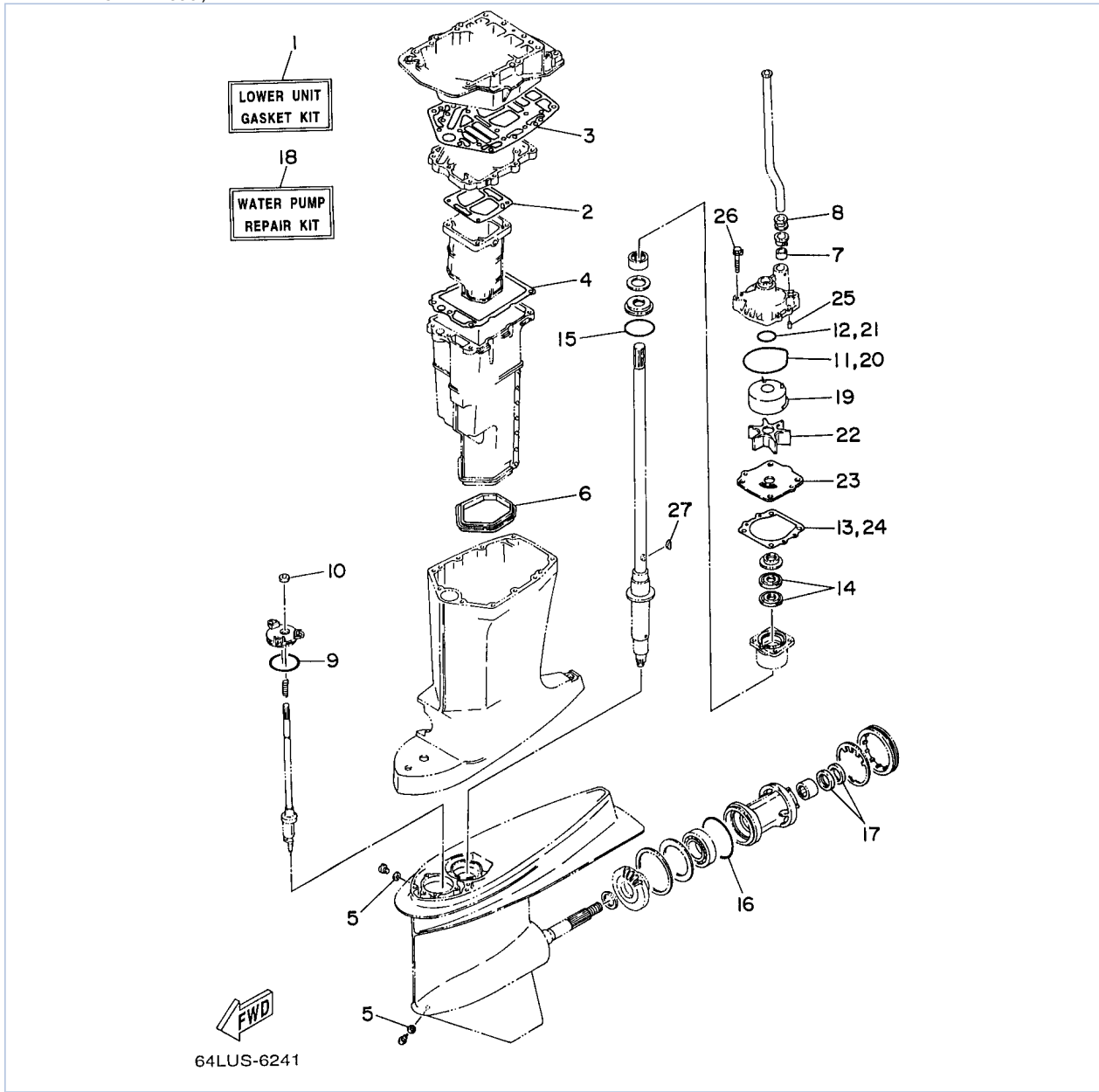
Part Notes

P175TLRW 1998 / REPAIR KIT 1

PART NUMBER	NOTE TEXT
688-12414-A1-00 	OEM: This part number is among the Top 100 Most Popular Marine Maintenance Parts as of August 2013.
650-24431-A0-00 	OEM: This part number is among the Top 100 Most Popular Marine Maintenance Parts as of August 2013.

©2013 Yamaha Motor Corporation, U.S.A. All rights reserved.

P175TLRW 1998 / REPAIR KIT 2



©2013 Yamaha Motor Corporation, U.S.A. All rights reserved.







Part List

P175TLRW 1998 / REPAIR KIT 2

REF - NO	PART NUMBER	PART NAME	QUANTITY	REMARKS
1	6G5-W0001-C1-00	LOWER UNIT GASKET KIT	1	
2	6G5-41134-A0-00	.GASKET, EXHAUST MANIFOLD	1	
3	6G5-45114-A0-00	.GASKET, UPPER CASING	1	
4	6E5-41135-A0-00	.GASKET, EXHAUST MANIFOLD	1	
5	90430-08020-00	.GASKET	2	
6	6E5-45123-00-00	.GASKET, MUFFLER	1	
7	6E5-44365-00-00	.DAMPER, WATER SEAL 1	1	
8	6E5-44366-00-00	.DAMPER, WATER SEAL 2	1	
9	93210-58144-00	.O-RING	1	
10	93106-09014-00	.OIL SEAL	1	
11	93210-86M38-00	.O-RING	1	
12	93210-37160-00	.O-RING	1	
13	6E5-44315-A0-00	.GASKET, WATER PUMP	1	
14	93101-28M16-00	.OIL SEAL	2	
15	93210-55M14-00	.O-RING	1	
16	93210-97M55-00	.O-RING	1	
17	93101-30M17-00	.OIL SEAL	2	
18	64L-W0078-00-00	WATER PUMP REPAIR KIT	1	
19	61A-44322-01-00	.INSERT, CARTRIDGE	1	
20	93210-86M38-00	.O-RING	1	
21	93210-37160-00	.O-RING	1	
22	6E5-44352-00-00	.IMPELLER	1	
23	6G5-44323-00-00	.OUTER PLATE, CARTRIDGE	1	
24	6E5-44315-A0-00	.GASKET, WATER PUMP	1	
25	93606-12019-00	.PIN, DOWEL	2	
26	90119-08M14-00	.BOLT, WITH WASHER	4	
27	90280-04M05-00	.KEY, WOODRUFF	1	

Part Notes

P175TLRW 1998 / REPAIR KIT 2

PART NUMBER		NOTE TEXT
90430-08020-00		OEM: This part number is among the Top 100 Most Popular Marine Maintenance Parts as of August 2013.
93106-09014-00		OEM: This part number is among the Top 100 Most Popular Marine Maintenance Parts as of August 2013.
93210-86M38-00		OEM: This part number is among the Top 100 Most Popular Marine Maintenance Parts as of August 2013.
93101-28M16-00		OEM: This part number is among the Top 100 Most Popular Marine Maintenance Parts as of August 2013.
93101-30M17-00		OEM: This part number is among the Top 100 Most Popular Marine Maintenance Parts as of August 2013.
93210-86M38-00		OEM: This part number is among the Top 100 Most Popular Marine Maintenance Parts as of August 2013.

©2013 Yamaha Motor Corporation, U.S.A. All rights reserved.

P175TLRW 1998 / MODELS IN THIS CATALOG

**P150TRW (64K)**

Engine Serial No. P150TLRW; 501624 -

**P175TRW (64L)**

Engine Serial No. P175TLRW; 500490 -

**P200TRW (64M)**

Engine Serial No. P200TLRW; 501678 -

**ALL THESE MODELS USE THIS SAME PARTS CATALOG.  
BE SURE TO ORDER ONLY THOSE PARTS APPLICABLE  
TO THE DESIRED MODEL.**

©2013 Yamaha Motor Corporation, U.S.A. All rights reserved.



©2013 Yamaha Motor Corporation, U.S.A. All rights reserved.