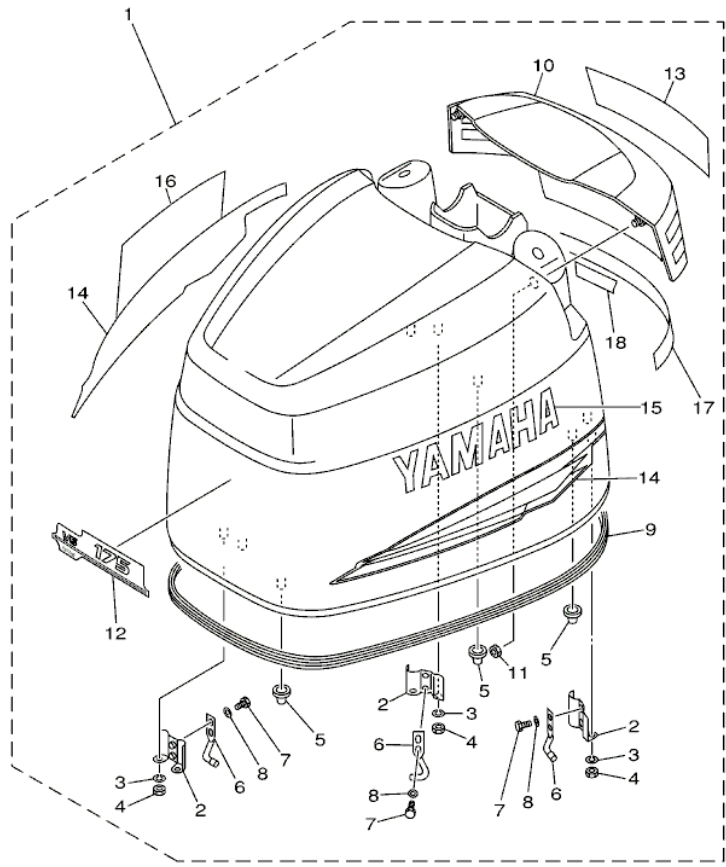


175TXRY 2000 / TOP COWLING



64D0010-0010

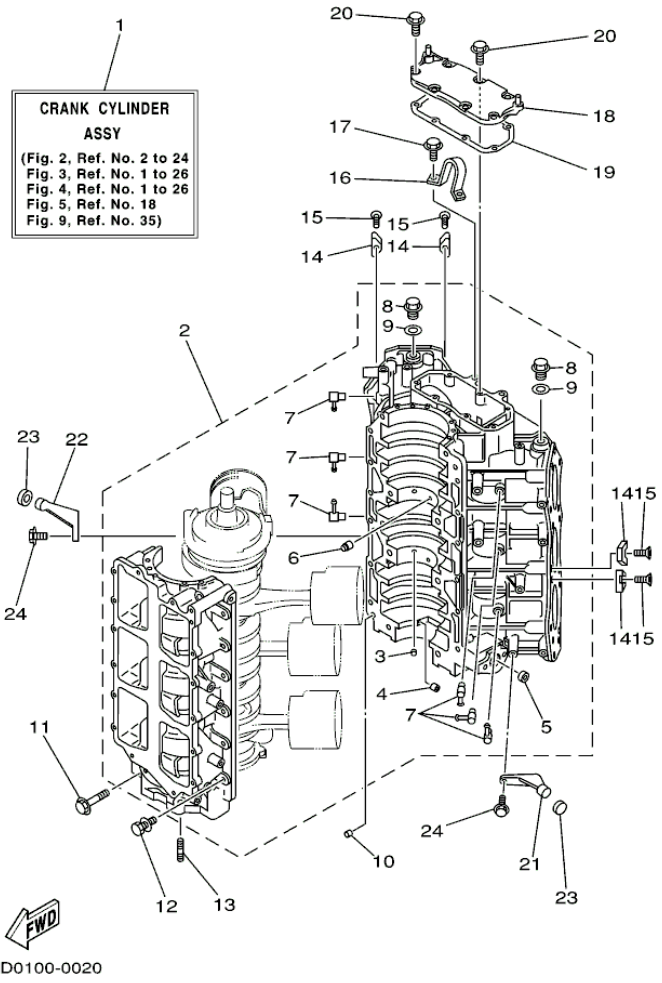
©2013 Yamaha Motor Corporation, U.S.A. All rights reserved.

## Part List

175TXRY 2000 / TOP COWLING

| REF<br>-<br>NO | PART<br>NUMBER  | PART NAME            | QUANTITY | REMARKS |
|----------------|-----------------|----------------------|----------|---------|
| 1              | 64D-42610-31-4D | TOP COWLING ASSEMBLY | 1        | 175 STD |
| 2              | 6R3-42647-00-00 | .HOLDER, CLAMP BAND  | 3        |         |
| 3              | 92990-06100-00  | .WASHER, SPRING      | 6        |         |
| 4              | 95380-06600-00  | .NUT, HEXAGON        | 6        |         |
| 5              | 64D-42662-00-00 | .DAMPER              | 3        |         |
| 6              | 64D-42814-00-00 | .HOOK, CLAMP         | 3        |         |
| 7              | 97095-06012-00  | .BOLT                | 6        |         |
| 8              | 92995-06600-00  | .WASHER              | 6        |         |
| 9              | 64D-42615-00-00 | .SEAL                | 1        |         |
| 10             | 64D-42613-00-4D | .MOLDING, AIR DUCT   | 1        |         |
| 11             | 90179-06M24-00  | .NUT                 | 4        |         |
| 12             | 64D-42677-30-00 | .GRAPHIC, FRONT      | 1        | 175 STD |
| 13             | 64D-42687-30-00 | .EMBLEM, REAR        | 1        | 175 STD |
| 14             | 64D-W0070-30-00 | .GRAPHIC SET         | 1        |         |
| 15             | 64C-42681-30-00 | .MARK, COWLING       | 1        |         |
| 16             | 64C-42682-30-00 | .MARK, COWLING       | 1        |         |
| 17             | 64D-4267A-30-00 | .GRAPHIC, REAR 2     | 1        |         |
| 18             | 64D-42678-30-00 | .GRAPHIC, REAR       | 1        |         |

175TXRY 2000 / CYLINDER CRANKCASE 1



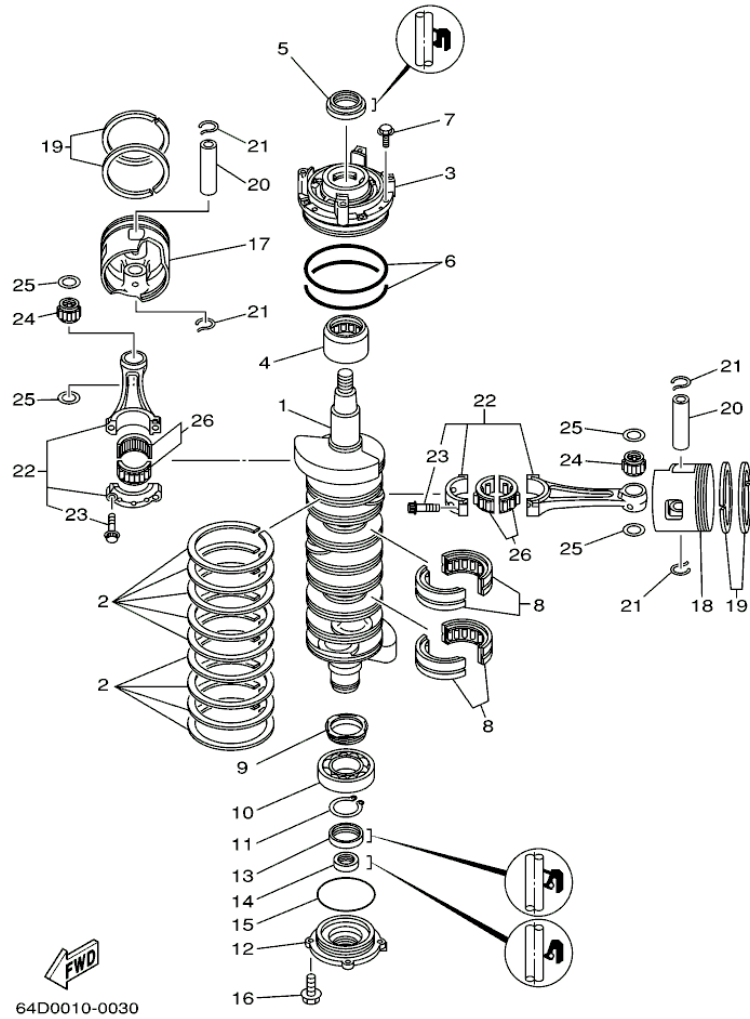
©2013 Yamaha Motor Corporation, U.S.A. All rights reserved.

## Part List

175TXRY 2000 / CYLINDER CRANKCASE 1

| REF<br>-<br>NO | PART<br>NUMBER  | PART NAME                     | QUANTITY | REMARKS |
|----------------|-----------------|-------------------------------|----------|---------|
| 1              | 64D-W0090-12-1S | CRANK CYLINDER ASSEMBLY       | 1        | 175     |
| 2              | 64D-15100-01-1S | CRANKCASE ASSEMBLY            | 1        | 175     |
| 3              | 624-11379-00-00 | .VALVE, CHECK                 | 2        |         |
| 4              | 90384-06M07-00  | .BUSH, BIMETAL FORMED         | 1        |         |
| 5              | 90384-14M09-00  | .BUSH, BIMETAL FORMED         | 1        |         |
| 6              | 663-11518-01-00 | .LOCK, BEARING                | 2        |         |
| 7              | 646-11370-00-00 | .CHECK VALVE ASSY             | 6        |         |
| 8              | 90340-14M00-00  | .PLUG, STRAIGHT SCREW         | 2        |         |
| 9              | 90430-14115-00  | .GASKET                       | 2        |         |
| 10             | 93608-12063-00  | PIN, DOWEL                    | 2        |         |
| 11             | 90105-10M20-00  | BOLT, FLANGE                  | 8        |         |
| 12             | 90119-08M94-00  | BOLT, WITH WASHER             | 12       |         |
| 13             | 90116-08M45-00  | BOLT, STUD                    | 2        |         |
| 14             | 6E5-11325-00-00 | ANODE                         | 8        |         |
| 15             | 98780-04015-00  | SCREW, FLAT HEAD              | 8        |         |
| 16             | 67H-11119-01-00 | HANGER, ENGINE                | 1        |         |
| 17             | 90119-08MA3-00  | BOLT, WITH WASHER             | 2        |         |
| 18             | 6K7-11371-01-1S | COVER                         | 1        |         |
| 19             | 6E5-11381-A2-00 | .GASKET 1                     | 1        |         |
| 20             | 90119-06MA2-00  | BOLT, WITH WASHER             | 7        |         |
| 21             | 6E5-42761-00-1S | STOPPER                       | 1        |         |
| 22             | 6E5-42762-00-1S | STOPPER                       | 1        |         |
| 23             | 663-44533-00-00 | DAMPER, UPPER MOUNT<br>RUBBER | 2        |         |
| 24             | 90119-06MA2-00  | BOLT, WITH WASHER             | 4        |         |

175TXRY 2000 / CRANKSHAFT PISTON



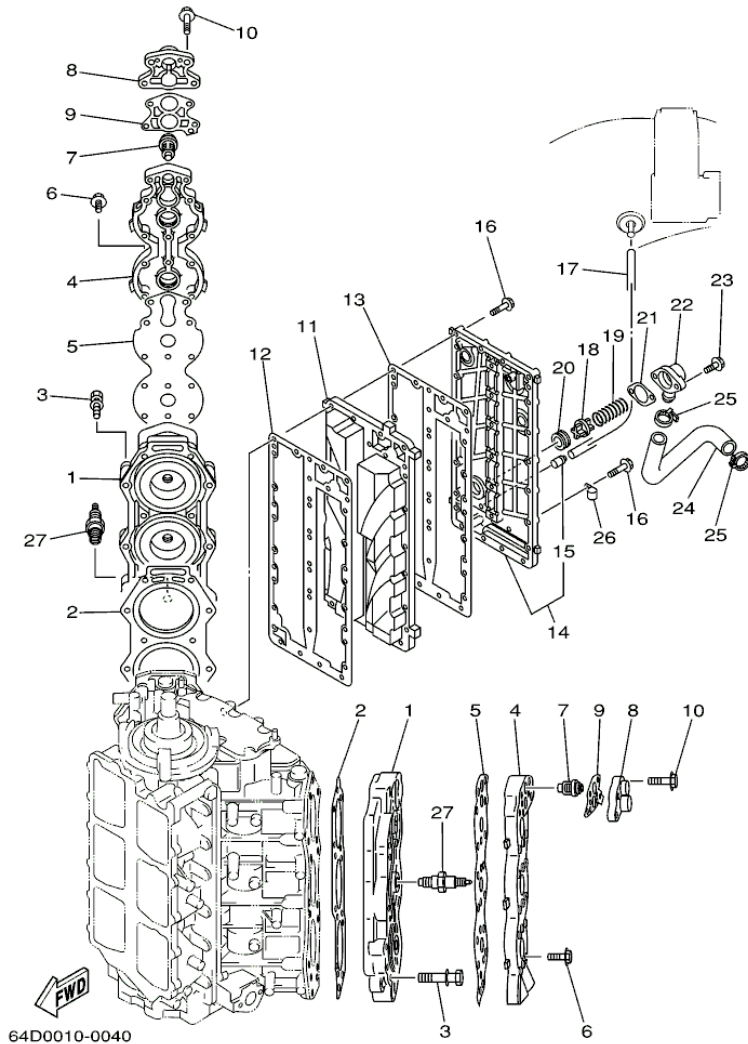
©2013 Yamaha Motor Corporation, U.S.A. All rights reserved.

## Part List

175TXRY 2000 / CRANKSHAFT PISTON

| REF<br>-<br>NO | PART<br>NUMBER  | PART NAME                       | QUANTITY | REMARKS |
|----------------|-----------------|---------------------------------|----------|---------|
| 1              | 6G5-11411-00-00 | CRANKSHAFT                      | 1        |         |
| 2              | 6E5-11447-00-00 | SEAL, CRANK                     | 9        |         |
| 3              | 6R3-15163-00-1S | HOUSING, BEARING 1              | 1        |         |
| 4              | 93311-940U3-00  | BEARING                         | 1        |         |
| 5              | 93102-40M14-00  | .OIL SEAL                       | 1        |         |
| 6              | 93211-04M36-00  | .O-RING                         | 2        |         |
| 7              | 90119-06MA2-00  | BOLT, WITH WASHER               | 3        |         |
| 8              | 93310-954U1-00  | BEARING                         | 2        |         |
| 9              | 6R3-11536-00-00 | GEAR, DRIVE                     | 1        |         |
| 10             | 93306-208U0-00  | BEARING                         | 1        |         |
| 11             | 93410-40M03-00  | CIRCLIP                         | 1        |         |
| 12             | 6G5-15359-00-94 | HOUSING, OIL SEAL               | 1        |         |
| 13             | 93102-35M13-00  | OIL SEAL                        | 1        |         |
| 14             | 93101-22M15-00  | .OIL SEAL                       | 1        |         |
| 15             | 93210-74M35-00  | .O-RING                         | 1        |         |
| 16             | 90119-06MA2-00  | BOLT, WITH WASHER               | 4        |         |
| 17             | 64D-11631-01-90 | PISTON (STD)                    | 3        |         |
| 17             | 64D-11636-01-00 | PISTON (0.50MM O/S)             | 3        | AP      |
| 17             | 64D-11635-01-00 | PISTON (1ST O/S 0.25MM)         | 3        |         |
| 18             | 64D-11642-01-90 | PISTON 2 (STD)                  | 3        |         |
| 18             | 64D-11646-01-00 | PISTON 2 (0.50MM O/S)           | 3        | AP      |
| 18             | 64D-11645-01-00 | PISTON 1ST O/S 0.25MM           | 3        |         |
| 19             | 64D-11603-01-00 | PISTON RING SET (STD)           | 6        |         |
| 19             | 64D-11605-01-00 | PISTON RING SET (0.50MM<br>O/S) | 6        | AP      |
| 19             | 64D-11604-01-00 | PISTON RING SET (0.25MM<br>O/S) | 6        |         |
| 20             | 6R5-11633-10-00 | PIN, PISTON                     | 6        |         |
| 21             | 6R5-11634-10-00 | CLIP, PISTON PIN                | 12       |         |
| 22             | 6R5-11650-10-00 | CONNECTING ROD ASSY             | 6        |         |
| 23             | 90109-08M71-00  | .BOLT                           | 2        |         |
| 24             | 93310-323V6-00  | BEARING                         | 6        |         |
| 25             | 90201-23M01-00  | WASHER, PLATE                   | 12       |         |
| 26             | 93310-836V2-00  | BEARING                         | 6        |         |

175TXRY 2000 / CYLINDER CRANKCASE 2



©2013 Yamaha Motor Corporation, U.S.A. All rights reserved.



## Part List

175TXRY 2000 / CYLINDER CRANKCASE 2

| REF - NO | PART NUMBER     | PART NAME                   | QUANTITY | REMARKS |
|----------|-----------------|-----------------------------|----------|---------|
| 1        | 6G5-11111-04-1S | HEAD, CYLINDER 1            | 2        |         |
| 2        | 6G5-11181-A1-00 | GASKET, CYLINDER HEAD 1     | 2        |         |
| 3        | 90119-08MA8-00  | BOLT, WITH WASHER           | 28       |         |
| 4        | 6G5-11191-00-1S | COVER, CYLINDER HEAD 1      | 2        |         |
| 5        | 6G5-11193-A0-00 | .GASKET, HEAD COVER 1       | 2        |         |
| 6        | 90119-06MA4-00  | BOLT, WITH WASHER           | 36       |         |
| 7        | 6E5-12411-20-00 | THERMOSTAT                  | 2        |         |
| 8        | 688-12413-00-1S | COVER, THERMOSTAT           | 2        |         |
| 9        | 688-12414-A1-00 | .GASKET, COVER              | 2        |         |
| 10       | 90119-06MA6-00  | BOLT, WITH WASHER           | 8        |         |
| 11       | 64D-41111-00-1S | INNER COVER, EXHAUST        | 1        |         |
| 12       | 6G5-41112-A1-00 | GASKET, EXHAUST INNER COVER | 1        |         |
| 13       | 6G5-41112-A1-00 | GASKET, EXHAUST INNER COVER | 1        |         |
| 14       | 6R3-41113-00-1S | OUTER COVER, EXHAUST        | 1        |         |
| 15       | 652-24461-00-00 | .PIPE, JOINT 4              | 1        |         |
| 16       | 90119-06MA5-00  | BOLT, WITH WASHER           | 29       |         |
| 17       | 90445-09097-00  | HOSE (L250)                 | 1        |         |
| 18       | 6G5-12416-00-00 | VALVE, PRESSURE CONTROL     | 1        |         |
| 19       | 90501-16M11-00  | SPRING, COMPRESSION         | 1        |         |
| 20       | 90480-20M05-00  | GROMMET                     | 1        |         |
| 21       | 6G5-11382-A1-00 | .GASKET 2                   | 1        |         |
| 22       | 6G5-11372-00-1S | COVER, BYPASS 2             | 1        |         |
| 23       | 90119-06MA2-00  | BOLT, WITH WASHER           | 2        |         |
| 24       | 6G5-12576-00-00 | HOSE 1                      | 1        |         |
| 25       | 90465-13M18-00  | CLAMP                       | 2        |         |
| 26       | 90465-06M86-00  | CLAMP                       | 2        |         |
| 27       | NGK-BR8HS-10-00 | PLUG, SPARK (NGK BR8HS-10)  | 6        | 175     |

## Part Notes

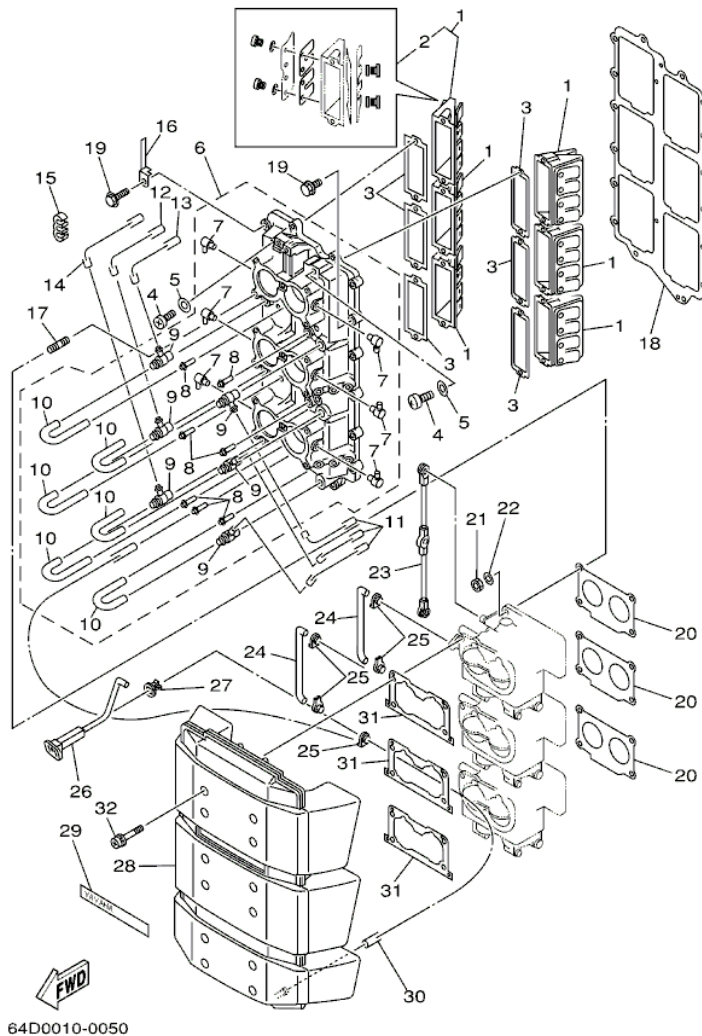
175TXRY 2000 / CYLINDER CRANKCASE 2

| PART NUMBER     |   | NOTE TEXT   |
|-----------------|---|---|
| 688-12414-A1-00 |  | OEM: This part number is among the Top 100 Most Popular Marine Maintenance Parts as of August 2013. |
| 90480-20M05-00  |  | OEM: This part number is among the Top 100 Most Popular Marine Maintenance Parts as of August 2013. |

©2013 Yamaha Motor Corporation, U.S.A. All rights reserved.



175TXRY 2000 / INTAKE



©2013 Yamaha Motor Corporation, U.S.A. All rights reserved.


## Part List

175TXRY 2000 / INTAKE

| REF<br>-<br>NO | PART<br>NUMBER  | PART NAME             | QUANTITY | REMARKS |
|----------------|-----------------|-----------------------|----------|---------|
| 1              | 6E5-13610-00-00 | REED VALVE ASSY       | 6        |         |
| 2              | 6E5-W0004-00-00 | .REED SET             | 1        |         |
| 3              | 6E5-13621-A1-00 | .GASKET, VALVE SEAT   | 6        |         |
| 4              | 97880-05016-00  | SCREW, PAN HEAD       | 12       |         |
| 5              | 92990-05600-00  | WASHER, PLATE         | 12       |         |
| 6              | 6G5-13641-11-1S | MANIFOLD 1            | 1        |         |
| 7              | 6E5-13552-00-00 | .NOZZLE               | 6        |         |
| 8              | 624-14485-00-00 | .PIPE, JOINT          | 7        |         |
| 9              | 6E5-11370-00-00 | .CHECK VALVE ASSY     | 6        |         |
| 10             | 90445-07M28-00  | .HOSE (L70)           | 6        |         |
| 11             | 90445-07M45-00  | HOSE (L340)           | 3        |         |
| 12             | 90445-07M46-00  | HOSE (L360)           | 1        |         |
| 13             | 90445-07M09-00  | HOSE (L380)           | 1        |         |
| 14             | 90445-07M59-00  | HOSE (L410)           | 1        |         |
| 15             | 90464-07M05-00  | CLAMP                 | 2        |         |
| 16             | 90465-10M91-00  | CLAMP                 | 2        |         |
| 17             | 90116-06M30-00  | BOLT, STUD            | 12       |         |
| 18             | 6G5-13645-A1-00 | GASKET, MANIFOLD 1    | 1        |         |
| 19             | 90119-06MA3-00  | BOLT, WITH WASHER     | 16       |         |
| 20             | 6E5-14198-A2-00 | .GASKET               | 3        |         |
| 21             | 95380-06600-00  | NUT, HEXAGON          | 12       |         |
| 22             | 92995-06100-00  | WASHER, SPRING        | 12       |         |
| 23             | 6G5-41217-01-00 | ROD, ACCEL. LEVER     | 1        |         |
| 24             | 6E5-41256-01-00 | ROD, CHOKE 1          | 2        |         |
| 25             | 661-41262-02-00 | JOINT, CHOKE LEVER    | 5        |         |
| 26             | 6R3-41271-00-00 | KNOB, CHOKE           | 1        |         |
| 27             | 689-41273-00-00 | GROMMET               | 1        |         |
| 28             | 64D-14440-00-00 | SILENCER ASSY, INTAKE | 1        |         |
| 30             | 90445-07MA3-00  | HOSE (L200)           | 1        |         |
| 31             | 6K7-14483-00-00 | GASKET                | 3        |         |
| 32             | 90159-06M08-00  | SCREW, WITH WASHER    | 12       |         |

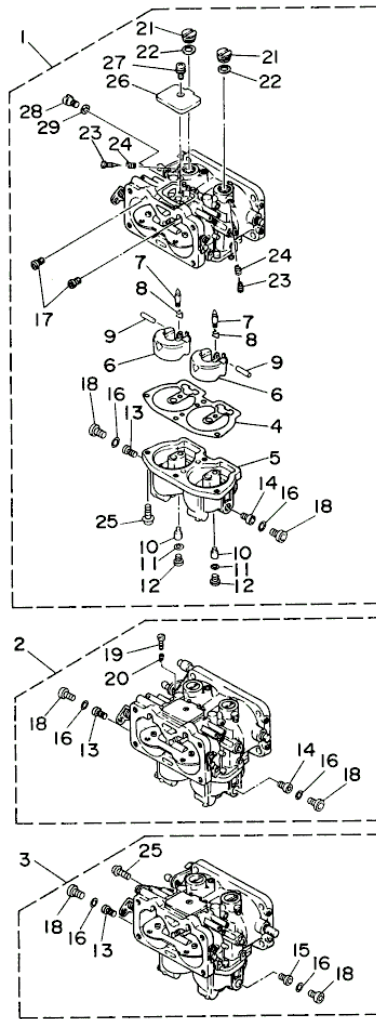
## Part Notes

175TXRY 2000 / INTAKE

| PART NUMBER  | NOTE TEXT   |
|--|---|
| 92995-06100-00  | OEM: This part number is among the Top 100 Most Popular Marine Maintenance Parts as of August 2013. |

©2013 Yamaha Motor Corporation, U.S.A. All rights reserved.

175TXRY 2000 / CARBURETOR



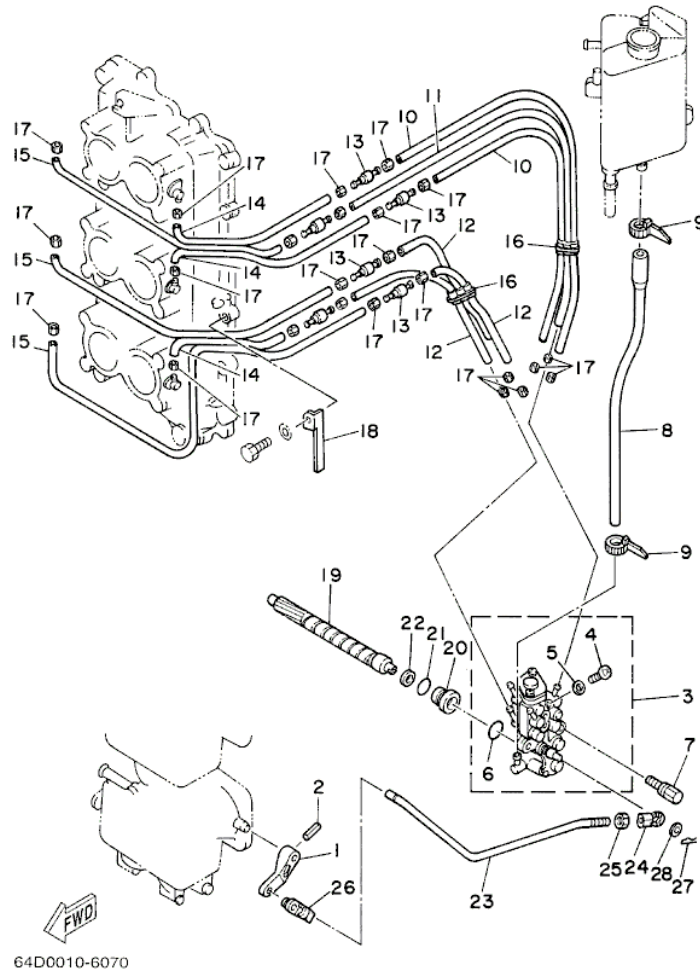
©2013 Yamaha Motor Corporation, U.S.A. All rights reserved.

## Part List

175TXRY 2000 / CARBURETOR

| REF<br>-<br>NO | PART<br>NUMBER  | PART NAME                  | QUANTITY | REMARKS |
|----------------|-----------------|----------------------------|----------|---------|
| 1              | 64D-14301-S0-00 | CARBURETOR ASSEMBLY 1      | 1        | 175     |
| 2              | 64D-14302-S0-00 | CARBURETOR ASSEMBLY 2      | 1        | 175     |
| 3              | 64D-14303-S0-00 | CARBURETOR ASSEMBLY 3      | 1        | 175     |
| 4              | 64D-14384-00-00 | .GASKET, FLOAT CHAMBER     | 3        |         |
| 5              | 64D-14381-10-00 | .BODY, FLOAT CHAMBER       | 3        |         |
| 6              | 6E5-14385-02-00 | .FLOAT                     | 6        |         |
| 7              | 6E5-14546-00-00 | .VALVE, NEEDLE             | 6        |         |
| 8              | 6E5-14159-00-00 | .CLIP                      | 6        |         |
| 9              | 6E5-14386-02-00 | .PIN, FLOAT                | 6        |         |
| 10             | 64D-1492F-42-00 | .JET, AIR SLOW (#84)       | 6        |         |
| 11             | 61U-14959-00-00 | .GASKET                    | 6        |         |
| 12             | 64D-14394-00-00 | .VALVE, DRAIN              | 6        |         |
| 13             | 64D-1492E-71-00 | .JET, MAIN (#142)          | 3        |         |
| 14             | 64D-1492E-71-00 | .JET, MAIN (#142)          | 2        |         |
| 15             | 64D-1492E-71-00 | .JET, MAIN (#142)          | 1        |         |
| 16             | 6E5-14398-01-00 | .GASKET                    | 6        |         |
| 17             | 61A-1492H-12-00 | .JET, SLOW AIR BLEED (#60) | 6        |         |
| 18             | 61A-14383-01-00 | .SCREW, DRAIN              | 6        |         |
| 19             | 6E5-14321-00-00 | .SCREW, THROTTLE           | 1        | #2      |
| 20             | 6J8-14334-00-00 | .SPRING, THROTTLE          | 1        | #2      |
| 21             | 6E5-14328-01-00 | .PLUG                      | 6        |         |
| 22             | 6E5-14979-00-00 | .GASKET                    | 6        |         |
| 23             | 6E5-14323-03-00 | .SCREW, AIR ADJUSTING      | 6        |         |
| 24             | 6E5-14223-00-00 | .SPRING, AIR ADJUSTING     | 6        |         |
| 25             | 97980-05116-00  | .SCREW, WITH WASHER        | 12       |         |
| 26             | 6E5-14527-01-00 | .PLATE                     | 3        |         |
| 27             | 97980-05108-00  | .SCREW, WITH WASHER        | 3        |         |
| 28             | 6E5-14324-00-00 | .SCREW, FLAT HEAD          | 3        |         |
| 29             | 6J8-14995-00-00 | .GASKET                    | 3        |         |

175TXRY 2000 / OIL PUMP



©2013 Yamaha Motor Corporation, U.S.A. All rights reserved.


## Part List

175TXRY 2000 / OIL PUMP

| REF<br>-<br>NO | PART<br>NUMBER  | PART NAME               | QUANTITY | REMARKS |
|----------------|-----------------|-------------------------|----------|---------|
| 1              | 6E5-14276-01-00 | LEVER                   | 1        |         |
| 2              | 91690-30016-00  | PIN, SPRING             | 1        |         |
| 3              | 6R4-13200-00-00 | OIL INJECTION PUMP ASSY | 1        |         |
| 4              | 6R3-13471-00-00 | .PLUG, DRAIN            | 1        |         |
| 5              | 6L2-13475-00-00 | .GASKET                 | 1        |         |
| 6              | 93210-19MA7-00  | .O-RING                 | 1        |         |
| 7              | 90109-06M40-00  | BOLT                    | 2        |         |
| 8              | 6R3-13416-00-00 | PIPE, OIL 1             | 1        |         |
| 9              | 90465-11M10-00  | CLAMP                   | 2        |         |
| 10             | 90445-07M72-00  | HOSE (L250)             | 2        |         |
| 11             | 90445-07M89-00  | HOSE (L310)             | 1        |         |
| 12             | 90445-07M83-00  | HOSE (L150)             | 3        |         |
| 13             | 6R3-13183-10-00 | VALVE, CHECK            | 6        |         |
| 14             | 90445-07M87-00  | HOSE (L110)             | 3        |         |
| 15             | 90445-07M96-00  | HOSE (L310)             | 3        |         |
| 16             | 90464-07M05-00  | CLAMP                   | 2        |         |
| 17             | 90468-07M02-00  | CLIP                    | 24       |         |
| 18             | 90465-10M91-00  | CLAMP                   | 2        |         |
| 19             | 6R3-11537-00-00 | GEAR, DRIVEN            | 1        |         |
| 20             | 6R3-13117-00-00 | COLLAR, DISTANCE        | 1        |         |
| 21             | 93210-13M04-00  | O-RING                  | 1        |         |
| 22             | 90202-08M44-00  | WASHER, PLATE           | 1        |         |
| 23             | 6R3-41241-00-00 | ROD, LINK               | 1        |         |
| 24             | 6H1-41237-00-00 | JOINT, LINK             | 1        |         |
| 25             | 95380-05600-00  | NUT                     | 1        |         |
| 26             | 6R5-41237-00-00 | JOINT, LINK             | 1        |         |
| 27             | 90468-05M03-00  | CLIP                    | 1        |         |
| 28             | 90202-05088-00  | WASHER, PLATE           | 1        |         |

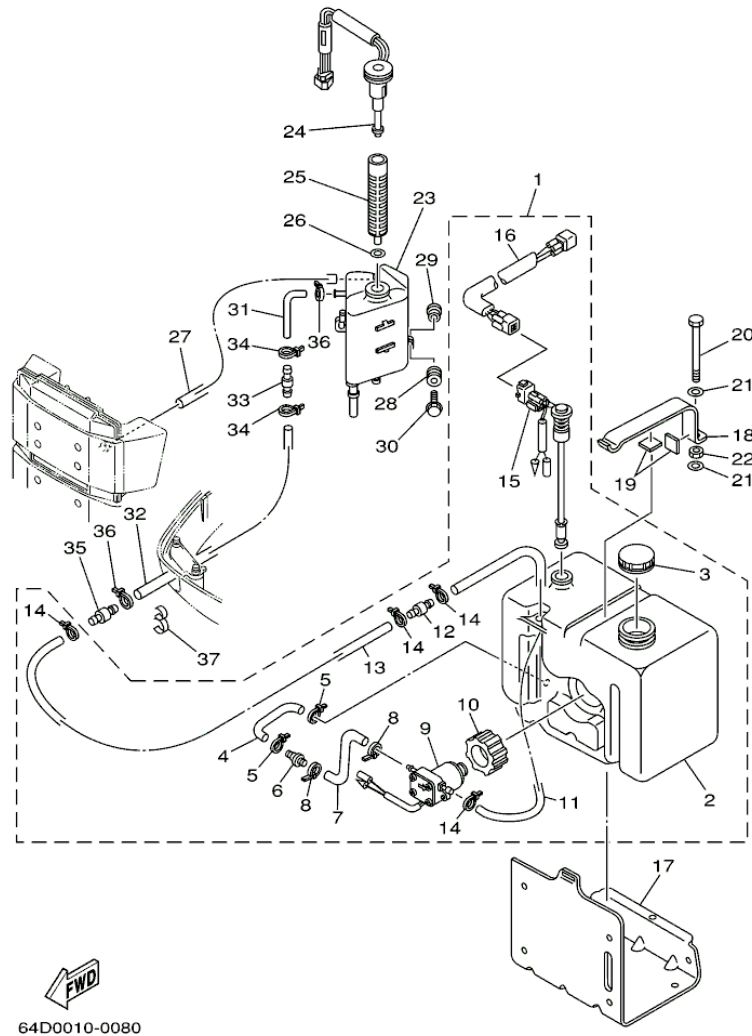
## Part Notes

175TXRY 2000 / OIL PUMP

| PART NUMBER   | NOTE TEXT   |
|---|---|
| 6H1-41237-00-00  | OEM: This part number is among the Top 100 Most Popular Marine Maintenance Parts as of August 2013. |

©2013 Yamaha Motor Corporation, U.S.A. All rights reserved.

175TXRY 2000 / OIL TANK



©2013 Yamaha Motor Corporation, U.S.A. All rights reserved.



## Part List

175TXRY 2000 / OIL TANK

| REF<br>-<br>NO | PART<br>NUMBER  | PART NAME              | QUANTITY | REMARKS |
|----------------|-----------------|------------------------|----------|---------|
| 1              | 6E5-21708-08-00 | OIL TANK SUB-ASSY      | 1        |         |
| 2              | 6E5-21733-02-00 | .SUB TANK, OIL (105L)  | 1        |         |
| 3              | 6E5-21770-03-00 | .OIL TANK CAP ASSY     | 1        |         |
| 4              | 6E5-24322-00-00 | .PIPE 11               | 1        |         |
| 5              | 90465-11M10-00  | .CLAMP                 | 2        |         |
| 6              | 646-24251-02-00 | .STRAINER 1            | 1        |         |
| 7              | 6E5-24319-01-00 | .PIPE, OIL             | 1        |         |
| 8              | 90465-11M10-00  | .CLAMP                 | 2        |         |
| 9              | 6E5-81900-01-00 | .OIL FEED PUMP ASSY    | 1        |         |
| 10             | 6E5-81922-00-00 | .GROMMET               | 1        |         |
| 11             | 6E5-24321-01-00 | .PIPE 10               | 1        |         |
| 12             | 6E5-24379-00-00 | .PIPE, JOINT 4         | 1        |         |
| 13             | 90445-11M81-00  | .HOSE (L3000)          | 1        |         |
| 14             | 90465-11M10-00  | .CLAMP                 | 4        |         |
| 15             | 6E5-85720-04-00 | .OIL LEVEL GAUGE ASSY  | 1        |         |
| 16             | 6R3-85721-30-00 | .WIRE, LEAD (L=30M)    | 1        |         |
| 17             | 6E5-21734-01-33 | HOLDER, OIL SUB TANK   | 1        |         |
| 18             | 6E5-21798-01-33 | BRACKET, DAMPER        | 1        |         |
| 19             | 6E5-21746-00-00 | DAMPER                 | 2        |         |
| 20             | 97080-06100-00  | BOLT                   | 1        |         |
| 21             | 92990-06600-00  | WASHER, PLATE          | 2        |         |
| 22             | 95380-06600-00  | NUT, HEXAGON           | 1        |         |
| 23             | 6E5-21750-05-00 | OIL TANK ASSY          | 1        |         |
| 24             | 6R3-85730-02-00 | OIL LEVEL GAUGE ASSY   | 1        |         |
| 25             | 6E5-13411-00-00 | STRAINER, OIL          | 1        |         |
| 26             | 6E5-13414-00-00 | GASKET, STRAINER COVER | 1        |         |
| 27             | 90445-05M02-00  | HOSE (L380)            | 1        |         |
| 28             | 6A0-82317-00-00 | DAMPER, IGNITION COIL  | 3        |         |
| 29             | 624-42542-00-00 | PIPE                   | 3        |         |
| 30             | 90119-06M65-00  | BOLT, WITH WASHER      | 3        |         |
| 31             | 64E-24323-00-00 | PIPE 12                | 1        |         |
| 32             | 90445-12207-00  | HOSE (L2400)           | 1        |         |
| 33             | 6E5-24379-00-00 | PIPE, JOINT 4          | 1        |         |
| 34             | 90465-11M10-00  | CLAMP                  | 2        |         |
| 35             | 6E5-24379-00-00 | PIPE, JOINT 4          | 1        |         |
| 36             | 90465-11M10-00  | CLAMP                  | 2        |         |
| 37             | 90464-13M34-00  | CLAMP                  | 1        |         |

## Part Notes

175TXRY 2000 / OIL TANK

| PART NUMBER   | NOTE TEXT   |
|---|---|
| 646-24251-02-00  | OEM: This part number is among the Top 100 Most Popular Marine Maintenance Parts as of August 2013. |
| 92990-06600-00   | OEM: This part number is among the Top 100 Most Popular Marine Maintenance Parts as of August 2013. |

©2013 Yamaha Motor Corporation, U.S.A. All rights reserved.





## Part List

175TXRY 2000 / FUEL 1

| REF - NO | PART NUMBER     | PART NAME           | QUANTITY | REMARKS |
|----------|-----------------|---------------------|----------|---------|
| 1        | 6R3-24313-20-00 | PIPE 3 (L2820)      | 1        |         |
| 2        | 6R3-24377-00-00 | PIPE, JOINT 2       | 1        |         |
| 3        | 90465-11M10-00  | CLAMP               | 2        |         |
| 4        | 90465-11M10-00  | CLAMP               | 1        |         |
| 5        | 6R3-24560-00-00 | FILTER ASSY         | 1        |         |
| 6        | 61N-24563-00-00 | .ELEMENT, FILTER    | 1        |         |
| 7        | 61N-24521-00-00 | .CUP, FILTER        | 1        |         |
| 8        | 93210-32738-00  | .O-RING             | 1        |         |
| 9        | 648-24566-02-00 | BRACKET, FILTER     | 1        |         |
| 10       | 97013-06014-00  | BOLT                | 1        |         |
| 11       | 92903-06100-00  | WASHER, SPRING      | 1        |         |
| 12       | 95380-08600-00  | NUT                 | 1        |         |
| 13       | 6G5-24314-00-00 | PIPE 4              | 1        |         |
| 14       | 90465-11M10-00  | CLAMP               | 1        |         |
| 15       | 90465-11M10-00  | CLAMP               | 1        |         |
| 16       | 6E5-24378-00-00 | PIPE, JOINT 3       | 1        |         |
| 17       | 6G5-24315-00-00 | PIPE 5              | 1        |         |
| 18       | 6E5-24315-00-00 | PIPE 5              | 1        |         |
| 19       | 90465-11M10-00  | CLAMP               | 4        |         |
| 20       | 6E5-24410-10-00 | FUEL PUMP ASSY      | 2        |         |
| 21       | 98503-05035-00  | .SCREW, PAN HEAD    | 3        |         |
| 22       | 92903-05600-00  | .WASHER, PLATE      | 3        |         |
| 23       | 6E5-24413-00-00 | .BODY 2             | 1        |         |
| 24       | 6E5-24471-00-00 | .DIAPHRAGM          | 1        |         |
| 25       | 6E5-24435-00-00 | .GASKET, BODY 2     | 1        |         |
| 26       | 6E5-24411-10-00 | .DIAPHRAGM          | 1        |         |
| 27       | 6E5-24436-00-00 | .GASKET, BODY 3     | 1        |         |
| 28       | 648-24424-00-00 | .SEAT, SPRING       | 1        |         |
| 29       | 6E5-24423-00-00 | .SPRING, DIAPHRAGM  | 1        |         |
| 30       | 6E5-24434-02-00 | .GASKET, BODY       | 1        |         |
| 31       | 6A0-24421-01-00 | .VALVE, CHECK       | 4        |         |
| 32       | 6A0-14325-00-00 | .SCREW, PAN HEAD    | 4        |         |
| 33       | 95380-03600-00  | .NUT                | 4        |         |
| 34       | 6E5-24412-10-00 | .BODY 1             | 1        |         |
| 35       | 650-24431-A0-00 | GASKET, FUEL PUMP 1 | 2        |         |
| 36       | 97095-06050-00  | BOLT                | 4        |         |
| 37       | 92995-06600-00  | WASHER              | 4        |         |
| 38       | 6G5-24316-10-00 | PIPE 6              | 2        |         |
| 39       | 90465-11M10-00  | CLAMP               | 2        |         |
| 40       | 90465-11M10-00  | CLAMP               | 2        |         |
| 41       | 6G5-24376-00-00 | PIPE, JOINT 1       | 1        |         |
| 42       | 6G5-24377-00-00 | PIPE, JOINT 2       | 1        |         |
| 43       | 6G5-24317-01-00 | PIPE 7              | 1        |         |
| 44       | 6G5-24318-10-00 | PIPE, OVERFLOW      | 2        |         |
| 45       | 6G5-24319-10-00 | PIPE, OIL           | 1        |         |
| 46       | 90465-11M10-00  | CLAMP               | 5        |         |
| 47       | 90465-11M10-00  | CLAMP               | 3        |         |
| 48       | 90446-15M07-00  | HOSE (L60)          | 2        |         |

## Part Notes

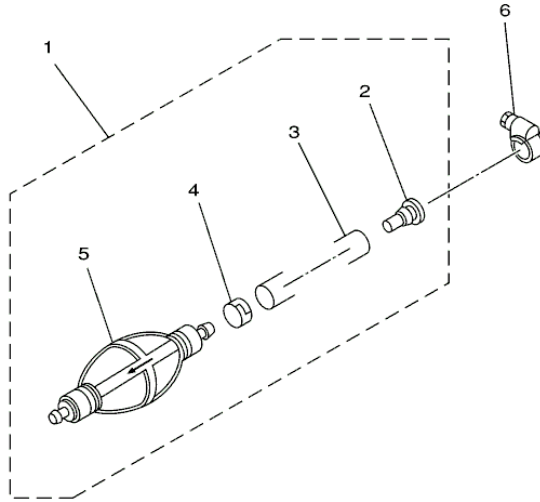
175TXRY 2000 / FUEL 1

| PART NUMBER     | NOTE TEXT   |
|-----------------|---|
| 650-24431-A0-00 | OEM: This part number is among the Top 100 Most Popular Marine Maintenance Parts as of August 2013. |



©2013 Yamaha Motor Corporation, U.S.A. All rights reserved.

175TXRY 2000 / FUEL 2



67H0100-9110

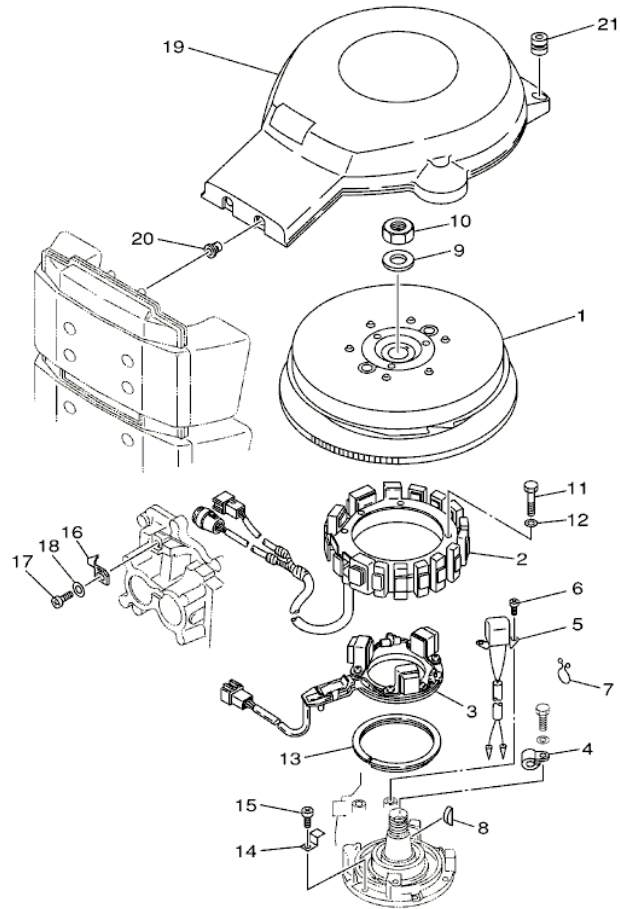
©2013 Yamaha Motor Corporation, U.S.A. All rights reserved.

## Part List

175TXRY 2000 / FUEL 2

| REF<br>-<br>NO | PART<br>NUMBER  | PART NAME         | QUANTITY | REMARKS |
|----------------|-----------------|-------------------|----------|---------|
| 1              | 6Y2-24306-40-00 | FUEL PIPE COMP. 1 | 1        | AP      |
| 2              | 90480-06M19-00  | .GROMMET          | 1        |         |
| 3              | 90445-13M01-00  | .HOSE (L2050)     | 1        |         |
| 4              | 6E5-24351-51-00 | .BAND 1           | 3        |         |
| 5              | 6Y2-24360-51-00 | .PRIMER PUMP ASSY | 1        |         |
| 6              | 90450-10M07-00  | .HOSE CLAMP ASSY  | 1        |         |

175TXRY 2000 / GENERATOR



64D0010-0100

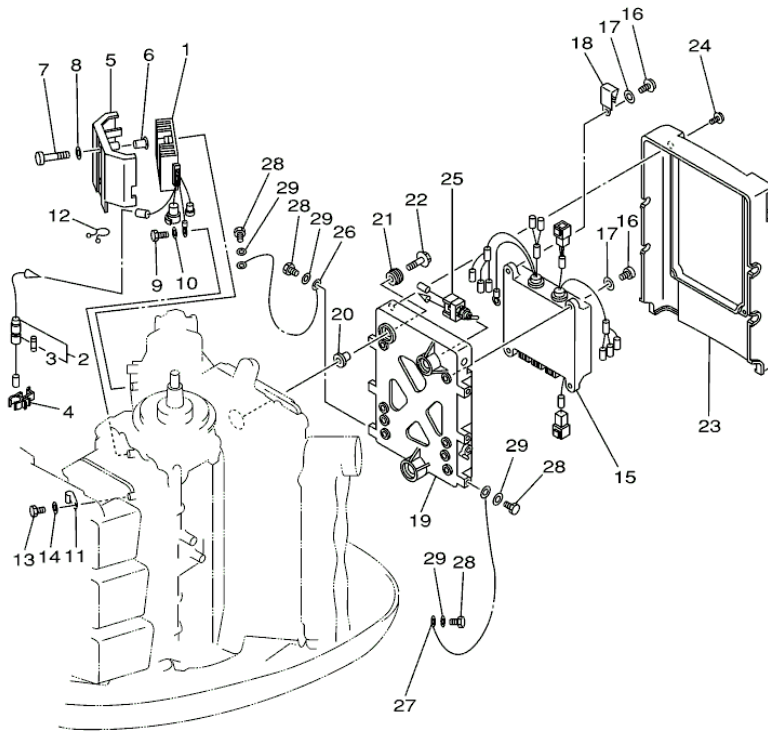
©2013 Yamaha Motor Corporation, U.S.A. All rights reserved.

## Part List

175TXRY 2000 / GENERATOR

| REF<br>-<br>NO | PART<br>NUMBER  | PART NAME              | QUANTITY | REMARKS |
|----------------|-----------------|------------------------|----------|---------|
| 1              | 64D-85550-02-00 | ROTOR ASSY             | 1        |         |
| 2              | 6R3-85510-00-00 | STATOR ASSY            | 1        |         |
| 3              | 64D-85580-00-00 | COIL, PULSER           | 1        |         |
| 4              | 90465-06M86-00  | CLAMP                  | 1        |         |
| 5              | 6R5-85895-01-00 | CRANK POSITION SENDER  | 1        |         |
| 6              | 97885-05012-00  | SCREW, PAN HEAD        | 2        |         |
| 7              | 90464-15M11-00  | CLAMP                  | 1        |         |
| 8              | 90280-05015-00  | KEY, WOODRUFF          | 1        |         |
| 9              | 90201-21M18-00  | WASHER, PLATE          | 1        |         |
| 10             | 90170-20137-00  | NUT                    | 1        |         |
| 11             | 97013-06070-00  | BOLT                   | 4        |         |
| 12             | 92903-06600-00  | WASHER, PLATE          | 4        |         |
| 13             | 688-41611-00-00 | RETAINER, MAGNETO BASE | 1        |         |
| 14             | 688-41612-00-00 | RETAINER, MAGNETO BASE | 4        |         |
| 15             | 97880-06018-00  | SCREW, PAN HEAD        | 4        |         |
| 16             | 6E5-81332-00-00 | PLATE, TIMING          | 1        |         |
| 17             | 97885-06010-00  | SCREW, PAN HEAD        | 1        |         |
| 18             | 92995-06600-00  | WASHER                 | 1        |         |
| 19             | 64D-81337-01-00 | COVER, FLYWHEEL        | 1        |         |
| 20             | 90480-13M24-00  | GROMMET                | 1        |         |
| 21             | 663-82317-01-00 | DAMPER, IGNITION COIL  | 2        |         |

175TXRY 2000 / ELECTRICAL 1



  
64D0010-0110




## Part List

175TXRY 2000 / ELECTRICAL 1

| REF - NO | PART NUMBER     | PART NAME                  | QUANTITY | REMARKS |
|----------|-----------------|----------------------------|----------|---------|
| 1        | 6R3-81960-10-00 | RECTIFIER & REGULATOR ASSY | 1        |         |
| 2        | 6R3-82150-00-00 | FUSE HOLDER ASSY           | 1        |         |
| 3        | 705-82151-00-00 | .FUSE (30A)                | 1        |         |
| 4        | 6G5-82152-00-00 | HOLDER, FUSE               | 1        |         |
| 5        | 64D-81942-00-00 | COVER                      | 1        |         |
| 6        | 90387-06M66-00  | COLLAR                     | 2        |         |
| 7        | 97013-06055-00  | BOLT                       | 2        |         |
| 8        | 92903-06600-00  | WASHER, PLATE              | 2        |         |
| 9        | 97013-06012-00  | BOLT                       | 1        |         |
| 10       | 92903-06600-00  | WASHER, PLATE              | 1        |         |
| 11       | 90465-06M88-00  | CLAMP                      | 1        |         |
| 12       | 90464-15M11-00  | CLAMP                      | 1        |         |
| 13       | 97013-06012-00  | BOLT                       | 1        |         |
| 14       | 92903-06600-00  | WASHER, PLATE              | 1        |         |
| 15       | 64D-85540-01-00 | C.D.I. UNIT ASSY           | 1        |         |
| 16       | 97880-06020-00  | SCREW, PAN HEAD            | 4        |         |
| 17       | 92990-06600-00  | WASHER, PLATE              | 4        |         |
| 18       | 90465-05M87-00  | CLAMP                      | 1        |         |
| 19       | 6R3-85542-03-1S | BRACKET                    | 1        |         |
| 20       | 90387-06M03-00  | COLLAR                     | 3        |         |
| 21       | 90480-09M12-00  | GROMMET                    | 3        |         |
| 22       | 90119-06M60-00  | BOLT, WITH WASHER          | 3        |         |
| 23       | 64D-85537-00-00 | COVER                      | 1        |         |
| 24       | 90159-06M11-00  | SCREW, WITH WASHER         | 4        |         |
| 25       | 6R3-8259E-00-00 | SWITCH ASSY                | 1        |         |
| 26       | 662-82519-00-00 | WIRE, EARTH LEAD           | 1        |         |
| 27       | 6R3-82519-00-00 | WIRE, EARTH LEAD           | 1        |         |
| 28       | 97095-06012-00  | BOLT                       | 5        |         |
| 29       | 92995-06600-00  | WASHER                     | 5        |         |

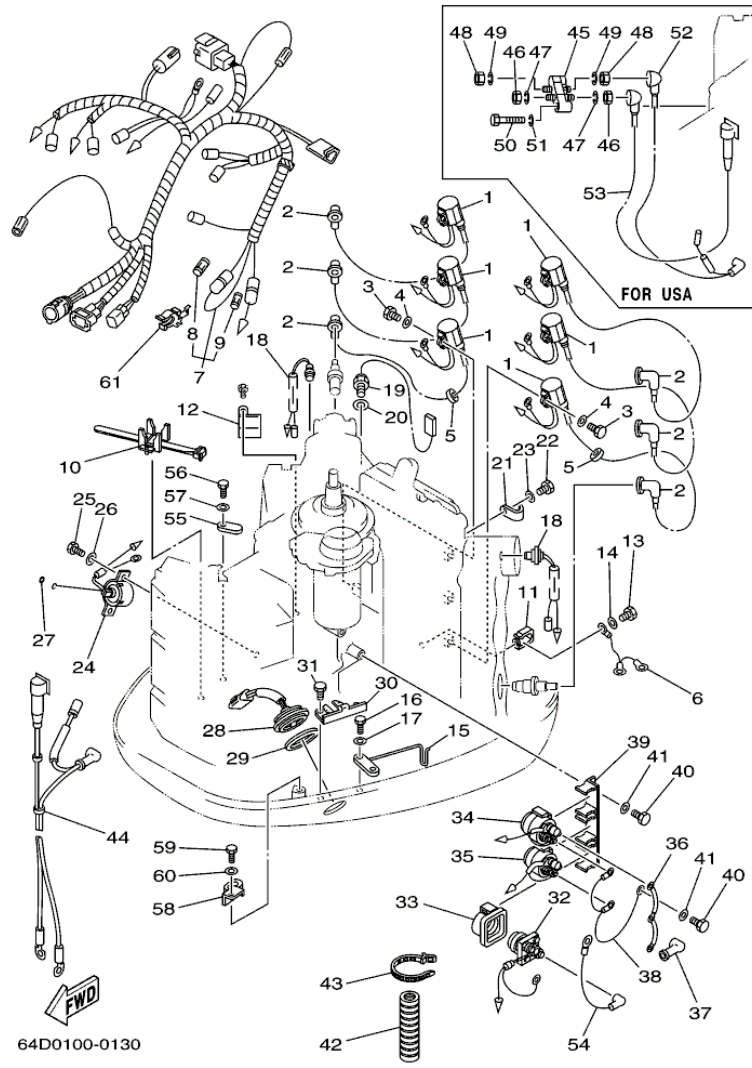
## Part Notes

175TXRY 2000 / ELECTRICAL 1

| PART NUMBER  | NOTE TEXT   |
|--|---|
| 92990-06600-00  | OEM: This part number is among the Top 100 Most Popular Marine Maintenance Parts as of August 2013. |

©2013 Yamaha Motor Corporation, U.S.A. All rights reserved.

175TXRY 2000 / ELECTRICAL 2



©2013 Yamaha Motor Corporation, U.S.A. All rights reserved.

## Part List



175TXRY 2000 / ELECTRICAL 2

| REF<br>-<br>NO | PART<br>NUMBER  | PART NAME               | QUANTITY | REMARKS |
|----------------|-----------------|-------------------------|----------|---------|
| 1              | 6R3-85570-01-00 | IGNITION COIL ASSY      | 6        |         |
| 2              | 6E3-82370-20-00 | PLUG CAP ASSY           | 6        |         |
| 3              | 97095-06020-00  | BOLT                    | 6        |         |
| 4              | 92995-06600-00  | WASHER                  | 6        |         |
| 5              | 90480-25161-00  | GROMMET                 | 2        |         |
| 6              | 6E5-82531-10-00 | WIRE, LEAD              | 1        |         |
| 7              | 64D-82590-00-00 | WIRE HARNESS ASSY       | 1        |         |
| 8              | 663-82151-00-00 | .FUSE (12V-20A)         | 1        |         |
| 9              | 705-82151-00-00 | .FUSE (30A)             | 1        |         |
| 10             | 688-82594-00-00 | CLAMP                   | 1        |         |
| 11             | 90465-05M87-00  | CLAMP                   | 1        |         |
| 12             | 90465-08M89-00  | CLAMP                   | 1        |         |
| 13             | 97095-06012-00  | BOLT                    | 1        |         |
| 14             | 92995-06600-00  | WASHER                  | 1        |         |
| 15             | 6K7-82588-00-00 | PLATE                   | 1        |         |
| 16             | 97095-06020-00  | BOLT                    | 1        |         |
| 17             | 92995-06600-00  | WASHER                  | 1        |         |
| 18             | 688-82560-10-00 | THERMO SWITCH ASSY      | 2        |         |
| 19             | 61A-85790-00-00 | THERMOSENSOR ASSY       | 1        |         |
| 20             | 92990-10600-00  | WASHER, PLATE           | 1        |         |
| 21             | 90465-06M86-00  | CLAMP                   | 1        |         |
| 22             | 97095-06012-00  | BOLT                    | 1        |         |
| 23             | 92995-06600-00  | WASHER                  | 1        |         |
| 24             | 64D-86110-00-00 | SOLENOID                | 1        |         |
| 25             | 97095-06016-00  | BOLT                    | 2        |         |
| 26             | 92995-06600-00  | WASHER                  | 2        |         |
| 27             | 93210-03261-00  | O-RING                  | 1        |         |
| 28             | 6R3-82563-00-00 | TRIM & TILT SWITCH ASSY | 1        |         |
| 29             | 6E5-82587-00-00 | GASKET                  | 1        |         |
| 30             | 6R3-83614-00-00 | BRACKET                 | 1        |         |
| 31             | 97095-06012-00  | BOLT                    | 2        |         |
| 32             | 61A-81941-00-00 | STARTER RELAY ASSY      | 1        |         |
| 33             | 689-81952-10-00 | HOLDER, RELAY           | 1        |         |
| 34             | 6E5-81950-00-00 | RELAY ASSY              | 1        |         |
| 35             | 6E5-8195A-00-00 | RELAY ASSY              | 1        |         |
| 36             | 6G5-87149-10-00 | CONNECTOR               | 1        |         |
| 37             | 6G5-82119-00-00 | COVER, LEAD WIRE        | 2        |         |
| 38             | 6E5-82116-00-00 | WIRE, MINUS LEAD        | 1        |         |
| 39             | 6G5-81948-11-94 | BRACKET                 | 1        |         |
| 40             | 97095-06016-00  | BOLT                    | 2        |         |
| 41             | 92995-06600-00  | WASHER                  | 2        |         |
| 42             | 6E9-83557-70-00 | TUBE                    | 1        |         |
| 43             | 90465-13M18-00  | CLAMP                   | 1        |         |
| 44             | 64D-82105-00-00 | BATTERY CABLE           | 1        |         |
| 45             | 64D-81920-01-00 | TERMINAL ASSY           | 1        | FOR USA |
| 46             | 95380-08700-00  | NUT                     | 2        | FOR USA |
| 47             | 92990-08100-00  | WASHER, SPRING          | 2        | FOR USA |
| 48             | 95380-06700-00  | NUT                     | 2        | FOR USA |
| 49             | 92990-06100-00  | WASHER, SPRING          | 2        | FOR USA |
| 50             | 97095-06035-00  | BOLT                    | 2        | FOR USA |
| 51             | 92995-06100-00  | WASHER, SPRING          | 2        | FOR USA |
| 52             | 64D-82117-00-00 | WIRE, LEAD              | 1        | FOR USA |
| 53             | 64D-82116-00-00 | WIRE, MINUS LEAD        | 1        | FOR USA |

|    |                 |              |   |  |
|----|-----------------|--------------|---|--|
| 54 | 6E5-82117-00-00 | WIRE, LEAD   | 1 |  |
| 55 | 6E5-82588-00-00 | PLATE        | 1 |  |
| 56 | 97095-06020-00  | BOLT         | 1 |  |
| 57 | 92995-06600-00  | WASHER       | 1 |  |
| 58 | 90465-12M25-00  | CLAMP        | 1 |  |
| 59 | 97095-06012-00  | BOLT         | 1 |  |
| 60 | 92995-06600-00  | WASHER       | 1 |  |
| 61 | 6G5-82152-00-00 | HOLDER, FUSE | 2 |  |

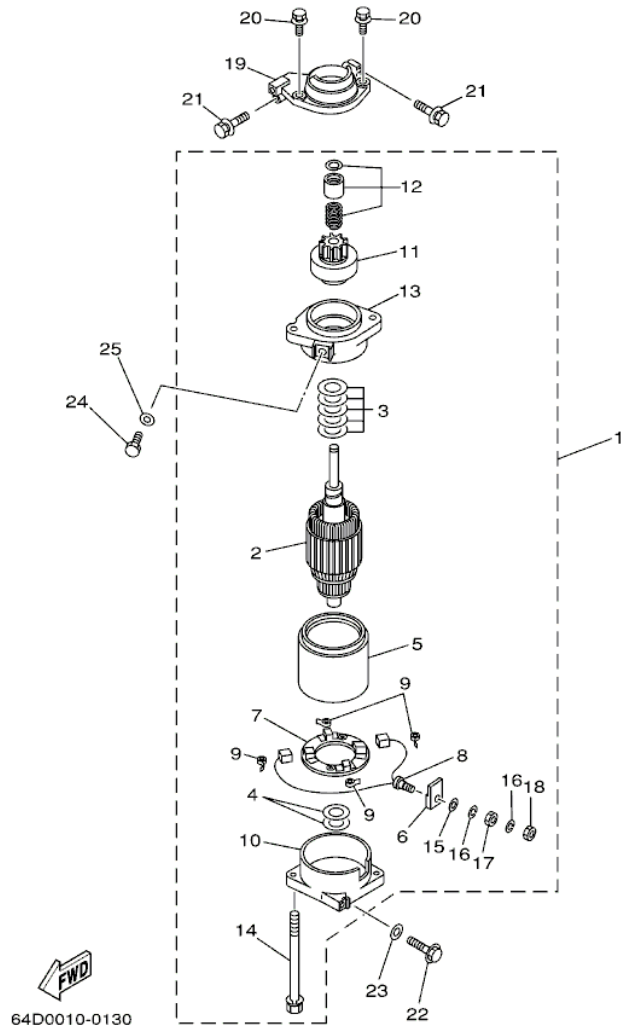
## Part Notes

175TXRY 2000 / ELECTRICAL 2

| PART NUMBER    |   | NOTE TEXT   |
|----------------|---|---|
| 92990-10600-00 |  | OEM: This part number is among the Top 100 Most Popular Marine Maintenance Parts as of August 2013. |
| 92995-06100-00 |  | OEM: This part number is among the Top 100 Most Popular Marine Maintenance Parts as of August 2013. |

©2013 Yamaha Motor Corporation, U.S.A. All rights reserved.

175TXRY 2000 / STARTING MOTOR



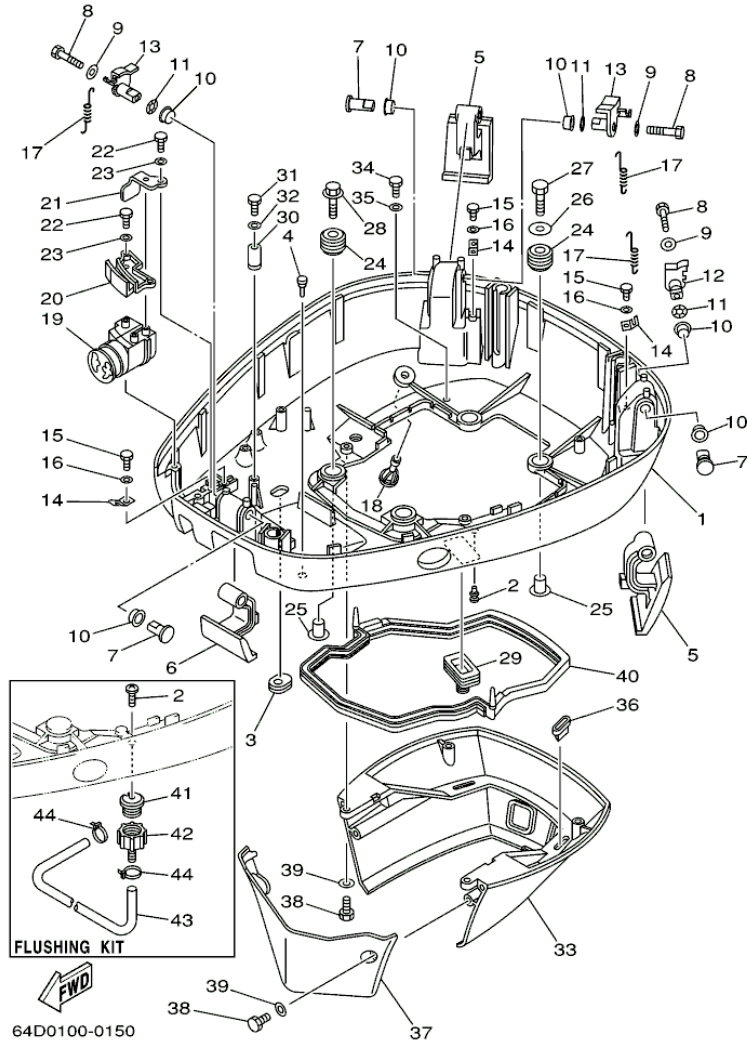
©2013 Yamaha Motor Corporation, U.S.A. All rights reserved.

## Part List

175TXRY 2000 / STARTING MOTOR

| REF<br>-<br>NO | PART<br>NUMBER  | PART NAME                     | QUANTITY | REMARKS |
|----------------|-----------------|-------------------------------|----------|---------|
| 1              | 6N7-81800-10-00 | STARTING MOTOR ASSY           | 1        |         |
| 2              | 6N7-81850-10-00 | .ARMATURE ASSY                | 1        |         |
| 3              | 61A-81809-00-00 | .WASHER KIT                   | 1        |         |
| 4              | 61A-81824-00-00 | .WASHER 2                     | 2        |         |
| 5              | 6N7-81810-00-00 | .STATOR ASSY                  | 1        |         |
| 6              | 6K7-8182G-10-00 | .BUSH, TERMINAL               | 1        |         |
| 7              | 6N7-81840-00-00 | .BRUSH HOLDER ASSY            | 1        |         |
| 8              | 6N7-81801-00-00 | .BRUSH SET                    | 1        |         |
| 9              | 6N7-81813-00-00 | .SPRING, BRUSH                | 4        |         |
| 10             | 6N7-81820-10-00 | .REAR BRACKET ASSY            | 1        |         |
| 11             | 6N7-81807-00-00 | .GEAR ASSY, STARTING<br>MOTOR | 1        |         |
| 12             | 6N7-81857-00-00 | .RETAINER                     | 1        |         |
| 13             | 6N7-81830-00-00 | .FRONT BRACKET ASSY           | 1        |         |
| 14             | 6K7-81826-10-00 | .BOLT                         | 2        |         |
| 15             | 6E5-8182E-10-00 | .WASHER                       | 1        |         |
| 16             | 6E5-8182F-10-00 | .WASHER                       | 2        |         |
| 17             | 6E5-8182A-10-00 | .NUT                          | 1        |         |
| 18             | 6E5-8182K-10-00 | .NUT                          | 1        |         |
| 19             | 6R3-81822-00-94 | BRACKET, STARTING MOTOR       | 1        |         |
| 20             | 90119-08M76-00  | BOLT, WITH WASHER             | 2        |         |
| 21             | 90119-08M77-00  | BOLT, WITH WASHER             | 2        |         |
| 22             | 90119-08M57-00  | BOLT, WITH WASHER             | 1        |         |
| 23             | 92990-08600-00  | .WASHER, PLATE                | 1        |         |
| 24             | 97095-08016-00  | BOLT                          | 1        |         |
| 25             | 92995-08600-00  | WASHER                        | 1        |         |

175TXRY 2000 / BOTTOM COWLING



©2013 Yamaha Motor Corporation, U.S.A. All rights reserved.


## Part List

175TXRY 2000 / BOTTOM COWLING

| REF - NO | PART NUMBER     | PART NAME                 | QUANTITY | REMARKS      |
|----------|-----------------|---------------------------|----------|--------------|
| 1        | 64D-42711-01-8D | COWLING, BOTTOM 1         | 1        |              |
| 2        | 90169-05M00-00  | SCREW, TRUSS HEAD TAPPING | 1        | FLUSHING KIT |
| 3        | 61A-42727-00-00 | GROMMET                   | 1        |              |
| 4        | 6H4-42748-00-00 | GROMMET                   | 1        |              |
| 5        | 64D-42815-00-4D | LEVER, CLAMP              | 2        |              |
| 6        | 64D-42816-00-4D | LEVER, CLAMP              | 1        |              |
| 7        | 64D-42835-00-00 | PIN, SET 1                | 3        |              |
| 8        | 97095-06040-00  | .BOLT                     | 3        |              |
| 9        | 90201-06068-00  | WASHER, PLATE             | 3        |              |
| 10       | 90386-15M73-00  | BUSH                      | 6        |              |
| 11       | 90206-15M18-00  | WASHER, WAVE              | 3        |              |
| 12       | 64D-42818-20-00 | LEVER, CLAMP              | 1        |              |
| 13       | 64D-42818-30-00 | LEVER, CLAMP              | 2        |              |
| 14       | 64D-43144-00-00 | HOOK, SPRING              | 3        |              |
| 15       | 97090-06012-00  | BOLT                      | 3        |              |
| 16       | 92990-06600-00  | WASHER, PLATE             | 3        |              |
| 17       | 90506-16M34-00  | SPRING, TENSION           | 3        |              |
| 18       | 6E5-44391-00-00 | NIPPLE, HOSE              | 1        |              |
| 19       | 64D-42725-20-00 | GROMMET                   | 1        |              |
| 20       | 64D-42738-00-5B | PLATE, FITTING            | 1        |              |
| 21       | 64D-42738-10-5B | PLATE, FITTING            | 1        |              |
| 22       | 97095-06016-00  | BOLT                      | 3        |              |
| 23       | 92995-06600-00  | WASHER                    | 3        |              |
| 24       | 90480-22M15-00  | GROMMET                   | 4        |              |
| 25       | 90387-08M37-00  | COLLAR                    | 4        |              |
| 26       | 90201-08M54-00  | WASHER, PLATE             | 1        |              |
| 27       | 97075-08035-00  | BOLT                      | 1        |              |
| 28       | 90119-08M22-00  | BOLT, WITH WASHER         | 3        |              |
| 29       | 688-42726-10-00 | GROMMET                   | 1        |              |
| 30       | 6E5-82588-00-00 | PLATE                     | 1        |              |
| 31       | 97095-06020-00  | BOLT                      | 1        |              |
| 32       | 92995-06600-00  | WASHER                    | 1        |              |
| 33       | 6R3-42741-02-8D | APRON                     | 1        |              |
| 34       | 97095-06020-00  | BOLT                      | 2        |              |
| 35       | 92995-06600-00  | WASHER                    | 2        |              |
| 36       | 64D-42717-00-00 | RUBBER, SEAL 2            | 2        |              |
| 37       | 6R3-42771-01-8D | APRON                     | 1        |              |
| 38       | 97095-06020-00  | BOLT                      | 4        |              |
| 39       | 92995-06600-00  | WASHER                    | 4        |              |
| 40       | 6E5-42716-10-00 | RUBBER, SEAL 1            | 1        |              |
| 41       | 6R3-12572-00-00 | .ADAPTER                  | 1        | FLUSHING KIT |
| 42       | 6R3-12580-00-00 | .JOINT ASSY               | 1        | FLUSHING KIT |
| 43       | 90445-11M35-00  | .HOSE (L540)              | 1        | FLUSHING KIT |
| 44       | 90465-11M10-00  | CLAMP                     | 2        | FLUSHING KIT |

## Part Notes

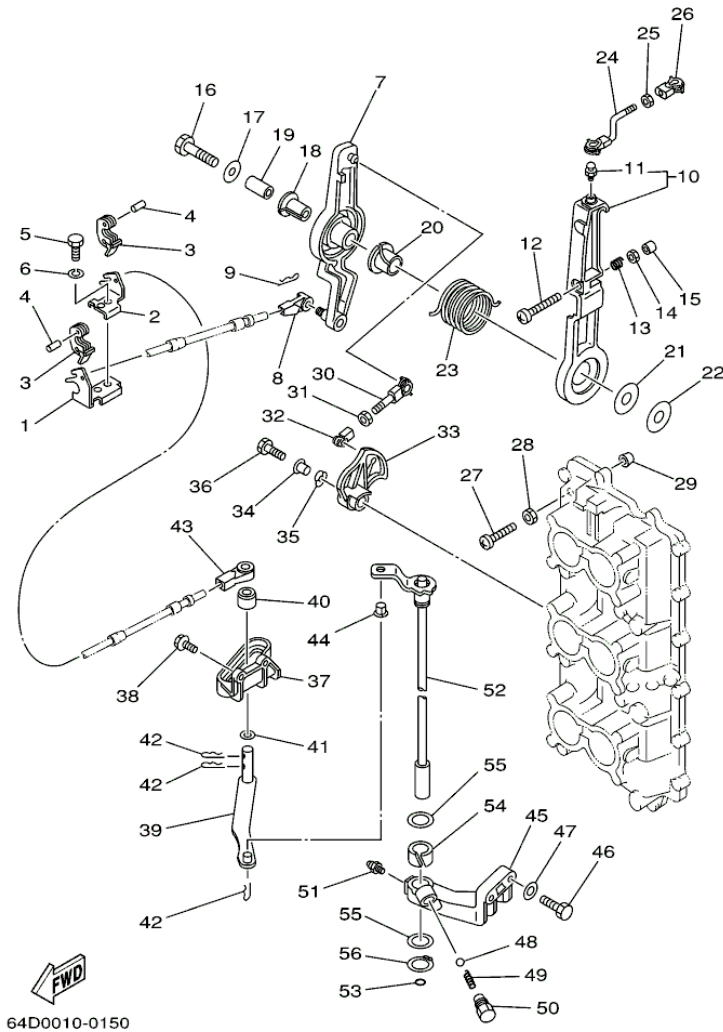
175TXRY 2000 / BOTTOM COWLING

| PART NUMBER  | NOTE TEXT   |
|--|---|
| 92990-06600-00  | OEM: This part number is among the Top 100 Most Popular Marine Maintenance Parts as of August 2013. |

©2013 Yamaha Motor Corporation, U.S.A. All rights reserved.



175TXRY 2000 / CONTROL



©2013 Yamaha Motor Corporation, U.S.A. All rights reserved.

## Part List


175TXRY 2000 / CONTROL

| REF<br>-<br>NO | PART<br>NUMBER  | PART NAME                    | QUANTITY | REMARKS |
|----------------|-----------------|------------------------------|----------|---------|
| 1              | 64D-48531-00-00 | BRACKET, REMOTE CONTROL<br>1 | 1        |         |
| 2              | 64D-48532-00-00 | BRACKET, REMOTE CONTROL<br>2 | 1        |         |
| 3              | 6E5-48538-00-00 | CLAMP, CABLE                 | 2        |         |
| 4              | 91690-30012-00  | PIN, SPRING                  | 2        |         |
| 5              | 97095-08020-00  | BOLT                         | 1        |         |
| 6              | 92995-08100-00  | WASHER                       | 1        |         |
| 7              | 61H-41632-02-1S | LEVER, MAGNETO CONTROL       | 1        |         |
| 8              | 6E5-48344-00-00 | CABLE END, REMOTE<br>CONTROL | 1        |         |
| 9              | 90468-18008-00  | CLIP                         | 1        |         |
| 10             | 6G5-41631-01-1S | LEVER, MAGNETO CONTROL       | 1        |         |
| 11             | 663-85518-00-00 | .JOINT, BALL                 | 1        |         |
| 12             | 90157-06013-00  | SCREW, PAN HEAD              | 1        |         |
| 13             | 90501-16M12-00  | SPRING, COMPRESSION          | 1        |         |
| 14             | 95303-06600-00  | .NUT                         | 1        |         |
| 15             | 688-44194-00-00 | CAP                          | 1        |         |
| 16             | 97013-08045-00  | BOLT                         | 1        |         |
| 17             | 90201-08M23-00  | WASHER, PLATE                | 1        |         |
| 18             | 90386-12089-00  | BUSH                         | 1        |         |
| 19             | 90387-08M16-00  | COLLAR                       | 1        |         |
| 20             | 90386-22M13-00  | BUSH                         | 1        |         |
| 21             | 90202-12092-00  | WASHER, PLATE                | 1        |         |
| 22             | 90201-08M13-00  | WASHER, PLATE                | 1        |         |
| 23             | 90508-29M12-00  | SPRING, TORSION              | 1        |         |
| 24             | 6G5-41636-01-00 | ROD, MAGNETO CONTROL         | 1        |         |
| 25             | 95380-05600-00  | NUT                          | 1        |         |
| 26             | 662-41237-01-00 | JOINT, LINK                  | 1        |         |
| 27             | 90157-06M00-00  | SCREW, PAN HEAD              | 1        |         |
| 28             | 95303-06600-00  | .NUT                         | 1        |         |
| 29             | 688-44194-00-00 | CAP                          | 1        |         |
| 30             | 6G5-41211-01-00 | LINK, ACCEL.                 | 1        |         |
| 31             | 95380-05600-00  | NUT                          | 1        |         |
| 32             | 662-41237-01-00 | JOINT, LINK                  | 1        |         |
| 33             | 6G5-41213-00-00 | CAM, ACCEL.                  | 1        |         |
| 34             | 90387-06M29-00  | COLLAR                       | 1        |         |
| 35             | 90206-10M04-00  | WASHER, WAVE                 | 1        |         |
| 36             | 97095-06025-00  | BOLT                         | 1        |         |
| 37             | 6E5-44117-00-1S | BRACKET                      | 1        |         |
| 38             | 90119-06MA2-00  | BOLT, WITH WASHER            | 2        |         |
| 39             | 6E5-44121-01-00 | LEVER, SHIFT ROD             | 1        |         |
| 40             | 6E5-44122-00-00 | BUSHING, SHIFT ROD LEVER     | 1        |         |
| 41             | 90202-08M20-00  | WASHER, PLATE                | 1        |         |
| 42             | 90468-18008-00  | CLIP                         | 3        |         |
| 43             | 6E5-48344-00-00 | CABLE END, REMOTE<br>CONTROL | 1        |         |
| 44             | 90386-06M12-00  | BUSH                         | 1        |         |
| 45             | 6E5-44118-01-94 | BRACKET                      | 1        |         |
| 46             | 97013-08030-00  | BOLT                         | 2        |         |
| 47             | 92903-08600-00  | WASHER, PLATE                | 2        |         |
| 48             | 93501-04M02-00  | BALL                         | 1        |         |
| 49             | 90501-12082-00  | SPRING, COMPRESSION          | 1        |         |
| 50             | 648-42715-00-00 | BUSHING                      | 1        |         |
| 51             | 93700-06M03-00  | NIPPLE, GREASE               | 1        |         |

|    |                 |                        |   |   |
|----|-----------------|------------------------|---|---|
| 52 | 6E5-44120-23-00 | HANDLE GEAR SHIFT ASSY | 1 | X |
| 52 | 6E5-44120-03-00 | HANDLE GEAR SHIFT ASSY | 1 | L |
| 53 | 93210-09165-00  | O-RING                 | 1 |   |
| 54 | 90386-16M66-00  | BUSH                   | 1 |   |
| 55 | 90202-16061-00  | WASHER, PLATE          | 2 |   |
| 56 | 93410-16006-00  | CIRCLIP                | 1 |   |

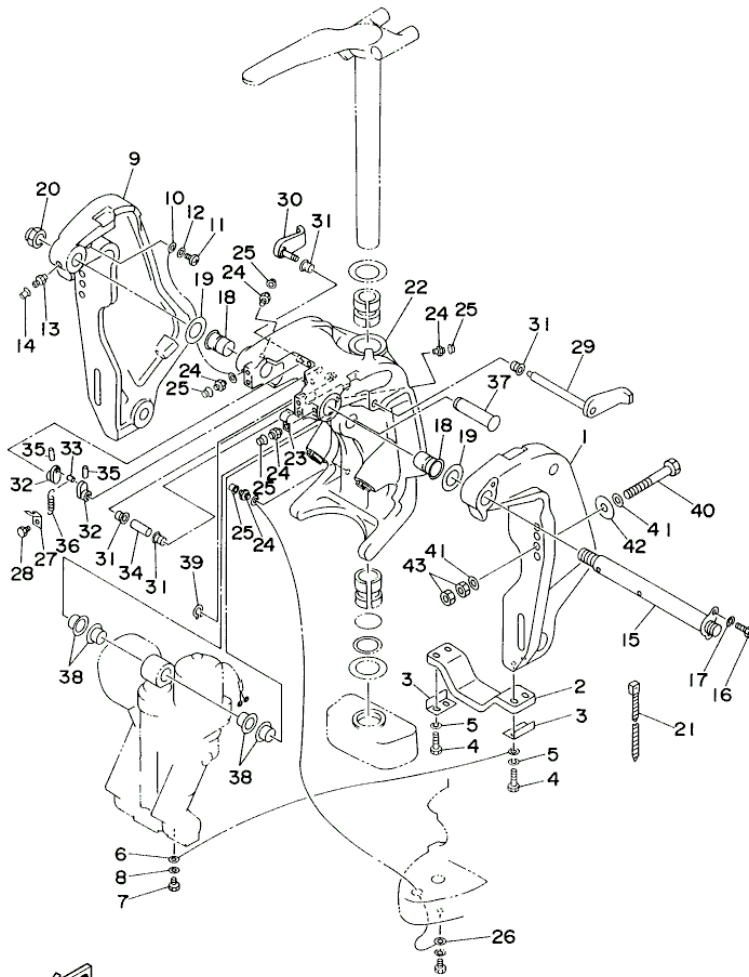
## Part Notes

175TXRY 2000 / CONTROL

| PART NUMBER    |   | NOTE TEXT   |
|----------------|---|---|
| 93700-06M03-00 |  | OEM: This part number is among the Top 100 Most Popular Marine Maintenance Parts as of August 2013. |

©2013 Yamaha Motor Corporation, U.S.A. All rights reserved.

175TXRY 2000 / BRACKET 1



  
6N60010-7160

©2013 Yamaha Motor Corporation, U.S.A. All rights reserved.


## Part List




175TXRY 2000 / BRACKET 1

| REF - NO | PART NUMBER     | PART NAME              | QUANTITY | REMARKS |
|----------|-----------------|------------------------|----------|---------|
| 1        | 64E-43111-01-8D | BRACKET, CLAMP         | 1        |         |
| 2        | 6G5-45251-01-00 | ANODE                  | 1        |         |
| 3        | 6G5-44526-00-00 | PLATE                  | 2        |         |
| 4        | 97095-06030-00  | BOLT                   | 4        |         |
| 5        | 92995-06100-00  | WASHER, SPRING         | 4        |         |
| 6        | 6E5-82148-00-00 | WIRE, LEAD 4           | 1        |         |
| 7        | 97095-06010-00  | BOLT                   | 1        |         |
| 8        | 92995-06600-00  | WASHER                 | 1        |         |
| 9        | 64E-43112-01-8D | BRACKET, CLAMP         | 1        |         |
| 10       | 6E5-82148-00-00 | WIRE, LEAD 4           | 1        |         |
| 11       | 97880-06012-00  | SCREW, PAN HEAD        | 1        |         |
| 12       | 92990-06600-00  | WASHER, PLATE          | 1        |         |
| 13       | 93700-06M03-00  | NIPPLE, GREASE         | 1        |         |
| 14       | 663-45119-00-00 | CAP, GREASE NIPPLE     | 1        | AP      |
| 15       | 64E-43131-01-00 | BOLT, CLAMP BRACKET    | 1        |         |
| 16       | 97095-08020-00  | BOLT                   | 1        |         |
| 17       | 92995-08100-00  | WASHER                 | 1        |         |
| 18       | 90386-25M31-00  | BUSH                   | 2        |         |
| 19       | 90201-26M59-00  | WASHER, PLATE          | 2        |         |
| 20       | 90185-22M11-00  | NUT, SELF-LOCKING      | 1        |         |
| 21       | 90465-11M10-00  | CLAMP                  | 1        |         |
| 22       | 64E-43311-20-8D | BRACKET, SWIVEL 1      | 1        | X       |
| 22       | 64E-43311-10-8D | BRACKET, SWIVEL 1      | 1        | L       |
| 23       | 90465-08M63-00  | CLAMP                  | 1        |         |
| 24       | 93700-06M03-00  | NIPPLE, GREASE         | 5        |         |
| 25       | 663-45119-00-00 | CAP, GREASE NIPPLE     | 5        | AP      |
| 26       | 6E5-82147-20-00 | WIRE, LEAD 5           | 1        | X       |
| 26       | 6E5-82147-00-00 | WIRE, LEAD 5           | 1        | L       |
| 27       | 6G5-43144-00-00 | HOOK, SPRING           | 1        |         |
| 28       | 97095-06010-00  | BOLT                   | 1        |         |
| 29       | 6G5-43181-02-00 | LEVER, TILT STOP 1     | 1        |         |
| 30       | 6G5-43185-02-00 | LEVER, TILT STOP 2     | 1        |         |
| 31       | 90386-10M16-00  | BUSH                   | 4        |         |
| 32       | 6G5-43148-00-00 | COLLAR, DISTANCE       | 2        |         |
| 33       | 90249-06M19-00  | PIN                    | 1        |         |
| 34       | 90387-10M05-00  | COLLAR                 | 1        |         |
| 35       | 91690-30020-00  | PIN, SPRING            | 2        |         |
| 36       | 90506-14M24-00  | SPRING, TENSION        | 1        |         |
| 37       | 64E-43126-00-00 | PIN, UPPER SHOCK MOUNT | 1        |         |
| 38       | 90386-22M98-00  | BUSH                   | 4        |         |
| 39       | 93410-22M11-00  | CIRCLIP                | 1        |         |
| 40       | 90101-12M77-00  | BOLT (L:150MM)         | 2        | UR      |
| 40       | 90101-12M05-00  | BOLT (L:130MM)         | 4        | UR      |
| 41       | 90201-13M01-00  | WASHER, PLATE          | 8        |         |
| 42       | 90201-12M05-00  | WASHER, PLATE          | 4        |         |
| 43       | 95380-12600-00  | NUT                    | 8        |         |

## Part Notes

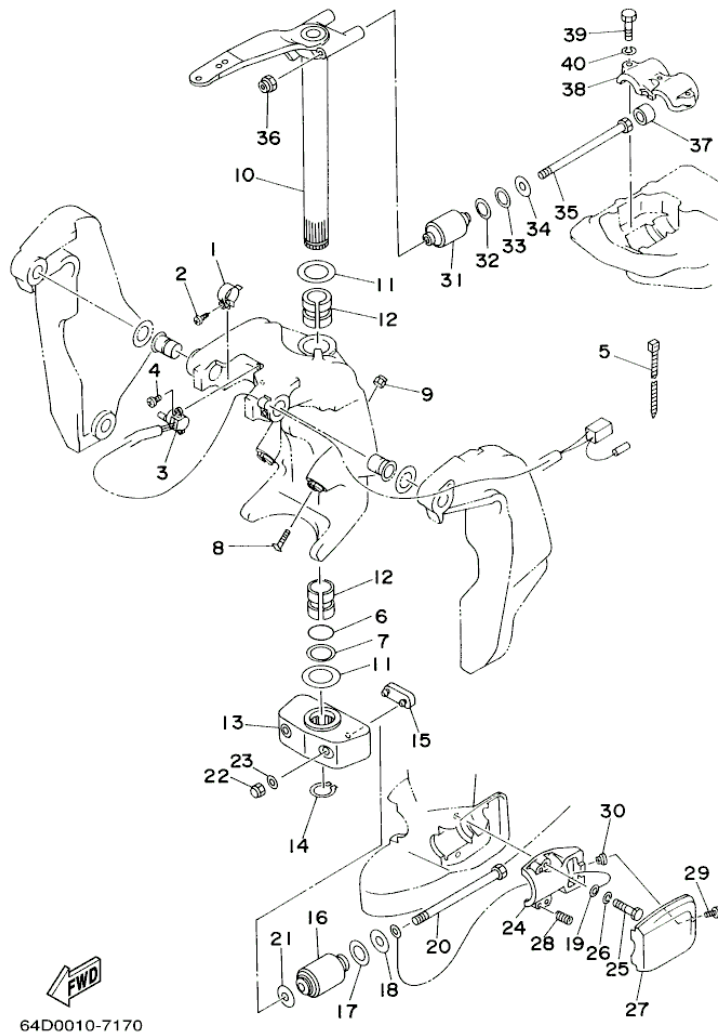
175TXRY 2000 / BRACKET 1

| PART NUMBER  | NOTE TEXT   |
|--|---|
| 92995-06100-00  | OEM: This part number is among the Top 100 Most Popular Marine Maintenance Parts as of August 2013. |
| 92990-06600-00   | OEM: This part number is among the Top 100 Most Popular Marine Maintenance Parts as of August 2013. |

|                |   |   |
|----------------|---|---|
|                |  |   |
| 93700-06M03-00 |  | OEM: This part number is among the Top 100 Most Popular Marine Maintenance Parts as of August 2013. |
| 93700-06M03-00 |  | OEM: This part number is among the Top 100 Most Popular Marine Maintenance Parts as of August 2013. |

©2013 Yamaha Motor Corporation, U.S.A. All rights reserved.

175TXRY 2000 / BRACKET 2



©2013 Yamaha Motor Corporation, U.S.A. All rights reserved.

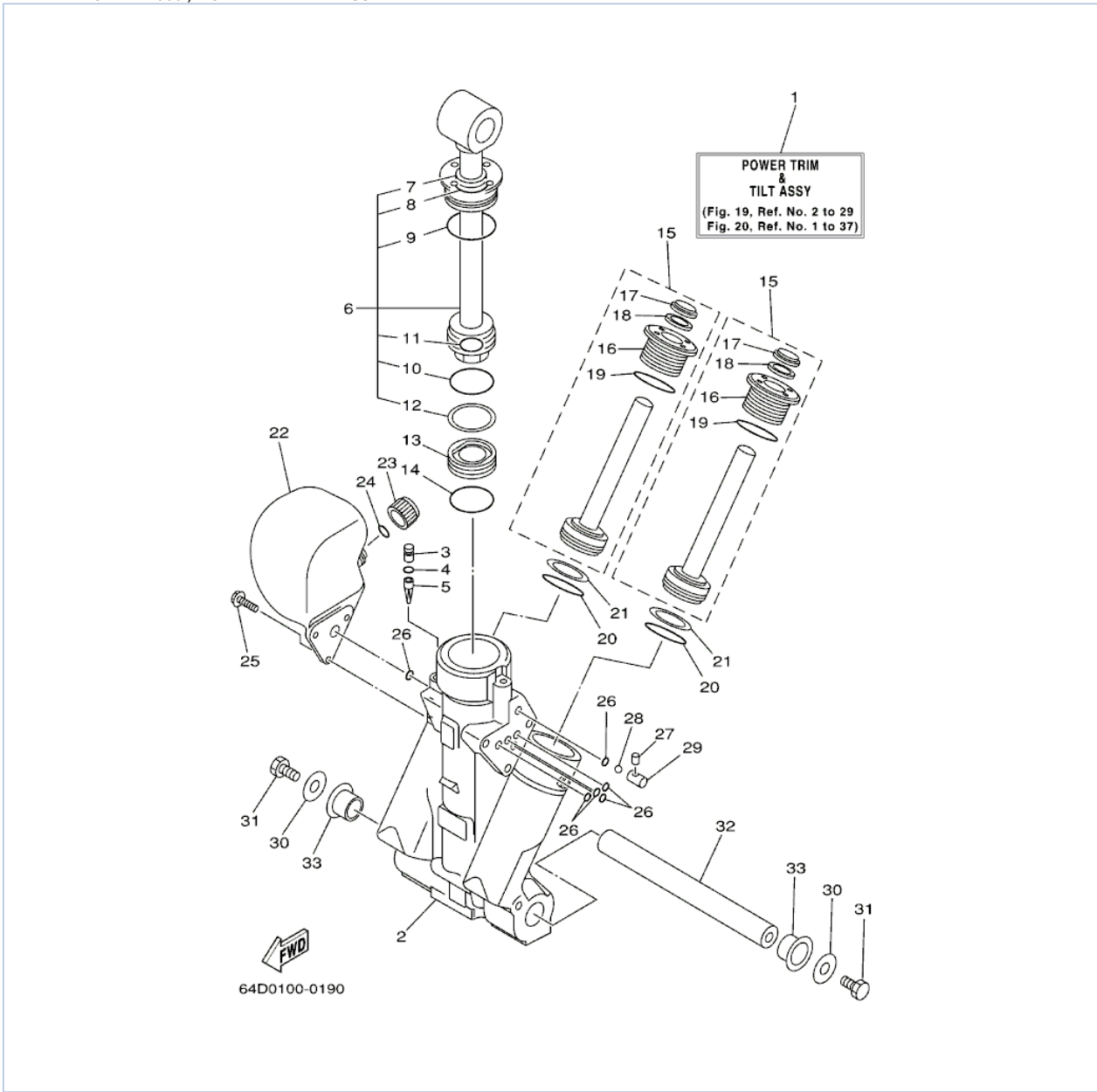
## Part List

175TXRY 2000 / BRACKET 2

| REF<br>-<br>NO | PART<br>NUMBER  | PART NAME                      | QUANTITY | REMARKS |
|----------------|-----------------|--------------------------------|----------|---------|
| 1              | 64E-43139-00-00 | CAM, TRIM SENDER               | 1        |         |
| 2              | 97780-60525-00  | SCREW, TAPPING                 | 1        |         |
| 3              | 64E-83672-00-00 | TRIM SENDER                    | 1        |         |
| 4              | 97885-06016-00  | SCREW, PAN HEAD                | 2        |         |
| 5              | 90465-11M10-00  | CLAMP                          | 3        |         |
| 6              | 93210-37MH7-00  | O-RING                         | 1        |         |
| 7              | 90202-40M47-00  | WASHER, PLATE                  | 1        |         |
| 8              | 61A-43376-00-00 | BOLT, THRUST RECEIVER          | 2        |         |
| 9              | 95780-10300-00  | NUT, FLANGE                    | 2        |         |
| 10             | 6E5-42510-B1-8D | STEERING BRACKET ASSY          | 1        | X       |
| 10             | 6E5-42510-A1-8D | STEERING BRACKET ASSY          | 1        | L       |
| 11             | 90201-38M60-00  | WASHER, PLATE                  | 2        |         |
| 12             | 90386-38M32-00  | BUSH                           | 2        |         |
| 13             | 6G5-44551-01-8D | HOUSING, LOWER MOUNT<br>RUBBER | 1        |         |
| 14             | 93410-37M04-00  | CIRCLIP                        | 1        |         |
| 15             | 6E5-44575-00-00 | DAMPER, LOWER MOUNT<br>RUBBER  | 1        |         |
| 16             | 6G5-44555-00-94 | MOUNT DAMPER, LOWER<br>SIDE    | 2        |         |
| 17             | 90202-32M19-00  | WASHER, PLATE                  | 2        |         |
| 18             | 90201-16M55-00  | WASHER, PLATE                  | 2        |         |
| 19             | 6E5-82149-00-00 | WIRE, LEAD 3                   | 1        |         |
| 20             | 90109-14M34-00  | BOLT                           | 2        |         |
| 21             | 90201-15M58-00  | WASHER, PLATE                  | 2        |         |
| 22             | 95380-14800-00  | NUT                            | 2        |         |
| 23             | 92995-14600-00  | WASHER                         | 2        |         |
| 24             | 6E5-44552-01-94 | HOUSING, LOWER MOUNT<br>RUBBER | 2        |         |
| 25             | 97095-10045-00  | BOLT                           | 4        |         |
| 26             | 92995-10100-00  | WASHER                         | 4        |         |
| 27             | 6E5-44553-01-8D | COVER, LOWER MOUNT             | 2        |         |
| 28             | 90501-16M28-00  | SPRING, COMPRESSION            | 4        |         |
| 29             | 97885-06016-00  | SCREW, PAN HEAD                | 2        |         |
| 30             | 90179-06066-00  | NUT                            | 2        |         |
| 31             | 6G5-44514-00-94 | MOUNT DAMPER, UPPER<br>SIDE    | 2        |         |
| 32             | 90201-26M57-00  | WASHER, PLATE                  | 2        |         |
| 33             | 90202-26M18-00  | WASHER, PLATE                  | 2        |         |
| 34             | 90201-14M56-00  | WASHER, PLATE                  | 2        |         |
| 35             | 90109-12M37-00  | BOLT                           | 2        |         |
| 36             | 90185-12M12-00  | NUT, SELF-LOCKING              | 2        |         |
| 37             | 663-44575-00-00 | DAMPER, LOWER MOUNT<br>RUBBER  | 2        |         |
| 38             | 6E5-44511-00-5B | COVER, UPPER MOUNT             | 1        |         |
| 39             | 97095-10045-00  | BOLT                           | 3        |         |
| 40             | 92995-10100-00  | WASHER                         | 3        |         |



175TXRY 2000 / POWER TRIM TILT ASSEMBLY 1



©2013 Yamaha Motor Corporation, U.S.A. All rights reserved.





## Part List

175TXRY 2000 / POWER TRIM TILT ASSEMBLY 1

| REF - NO | PART NUMBER     | PART NAME                  | QUANTITY | REMARKS |
|----------|-----------------|----------------------------|----------|---------|
| 1        | 64E-43800-00-4D | POWER TRIM & TILT ASSEMBLY | 1        |         |
| 2        | 64E-43825-00-00 | HOUSING, TRIM & TILT       | 1        |         |
| 3        | 64E-4388J-00-00 | PLUG 2                     | 1        |         |
| 4        | 93210-10M74-00  | O-RING                     | 1        |         |
| 5        | 64E-43817-00-00 | FILTER 2                   | 1        |         |
| 6        | 64E-43810-00-00 | TILT PISTON SUB ASSY       | 1        |         |
| 7        | 64E-43898-00-00 | .SEAL, DUST 2              | 1        |         |
| 8        | 64E-43867-00-00 | .O-RING                    | 1        |         |
| 9        | 64E-43866-00-00 | .O-RING                    | 1        |         |
| 10       | 6E5-43862-00-00 | .O-RING                    | 1        |         |
| 11       | 64E-43883-00-00 | .O-RING                    | 1        |         |
| 12       | 6E5-43872-00-00 | .RING, BACK UP             | 1        |         |
| 13       | 6E5-43814-02-00 | PISTON, FREE               | 1        |         |
| 14       | 6E5-43862-00-00 | O-RING                     | 1        |         |
| 15       | 64E-43820-00-00 | PISTON SUB ASSEMBLY        | 2        |         |
| 16       | 64E-43821-00-00 | .SCREW, TRIM CYLINDER END  | 1        |         |
| 17       | 64E-43822-00-00 | .SEAL, TRIM DUST           | 1        |         |
| 18       | 64E-4384J-00-00 | .SEAL, TRIM DOWN           | 1        |         |
| 19       | 6G5-43864-00-00 | .O-RING                    | 1        |         |
| 20       | 6E5-43864-00-00 | O-RING                     | 2        |         |
| 21       | 6E5-43874-01-00 | RING, BACK UP              | 2        |         |
| 22       | 64E-43828-00-00 | BODY, RESERVOIR            | 1        |         |
| 23       | 64E-43829-00-00 | PLUG, RESERVOIR            | 1        |         |
| 24       | 64E-43897-00-00 | O-RING                     | 1        |         |
| 25       | 64E-4388E-00-00 | BOLT ,SCREW (L:14MM)       | 3        |         |
| 26       | 64E-43869-00-00 | O-RING                     | 6        |         |
| 27       | 64E-4381G-00-00 | PIN                        | 1        |         |
| 28       | 6E5-43858-00-00 | BALL                       | 1        |         |
| 29       | 6E5-4382G-00-00 | VALVE SEAT                 | 1        |         |
| 30       | 90201-08M14-00  | WASHER, PLATE              | 2        |         |
| 31       | 97080-08016-00  | BOLT                       | 2        |         |
| 32       | 64E-43818-01-00 | PIN, LOWER SHOCK MOUNT     | 1        |         |
| 33       | 90386-22M98-00  | BUSH                       | 2        |         |

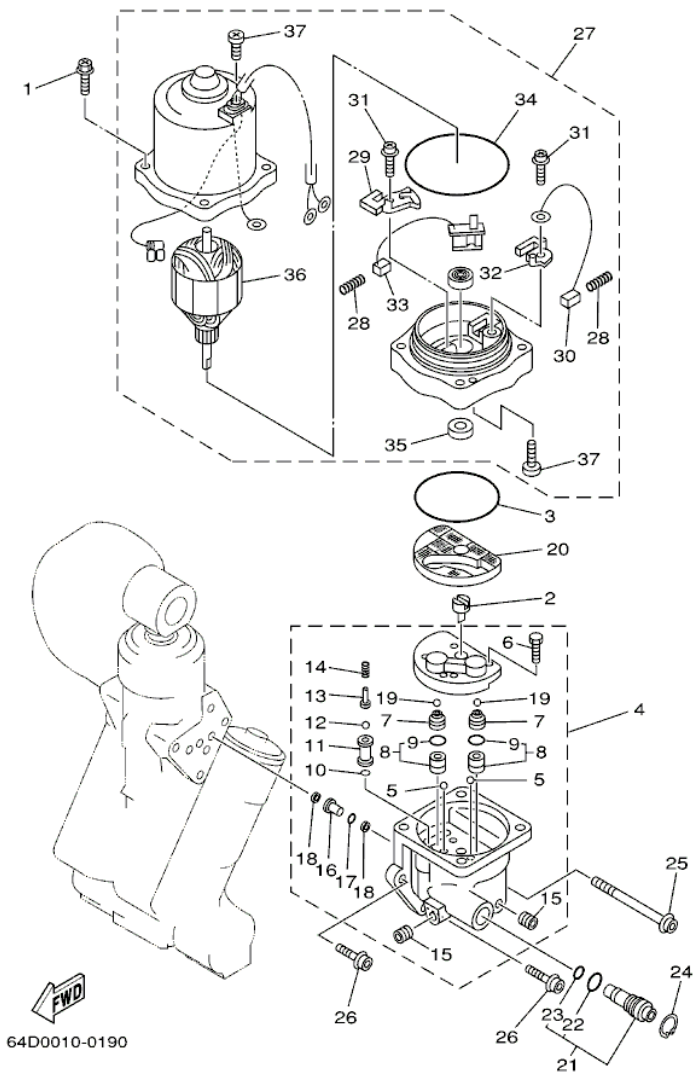
## Part Notes

175TXRY 2000 / POWER TRIM TILT ASSEMBLY 1

| PART NUMBER     |   | NOTE TEXT   |
|-----------------|---|---|
| 64E-43822-00-00 |  | OEM: This part number is among the Top 100 Most Popular Marine Maintenance Parts as of August 2013. |
| 64E-4384J-00-00 |  | OEM: This part number is among the Top 100 Most Popular Marine Maintenance Parts as of August 2013. |
| 6G5-43864-00-00 |  | OEM: This part number is among the Top 100 Most Popular Marine Maintenance Parts as of August 2013. |
| 64E-43869-00-00 |  | OEM: This part number is among the Top 100 Most Popular Marine Maintenance Parts as of August 2013. |

©2013 Yamaha Motor Corporation, U.S.A. All rights reserved.

175TXRY 2000 / POWER TRIM TILT ASSEMBLY 2



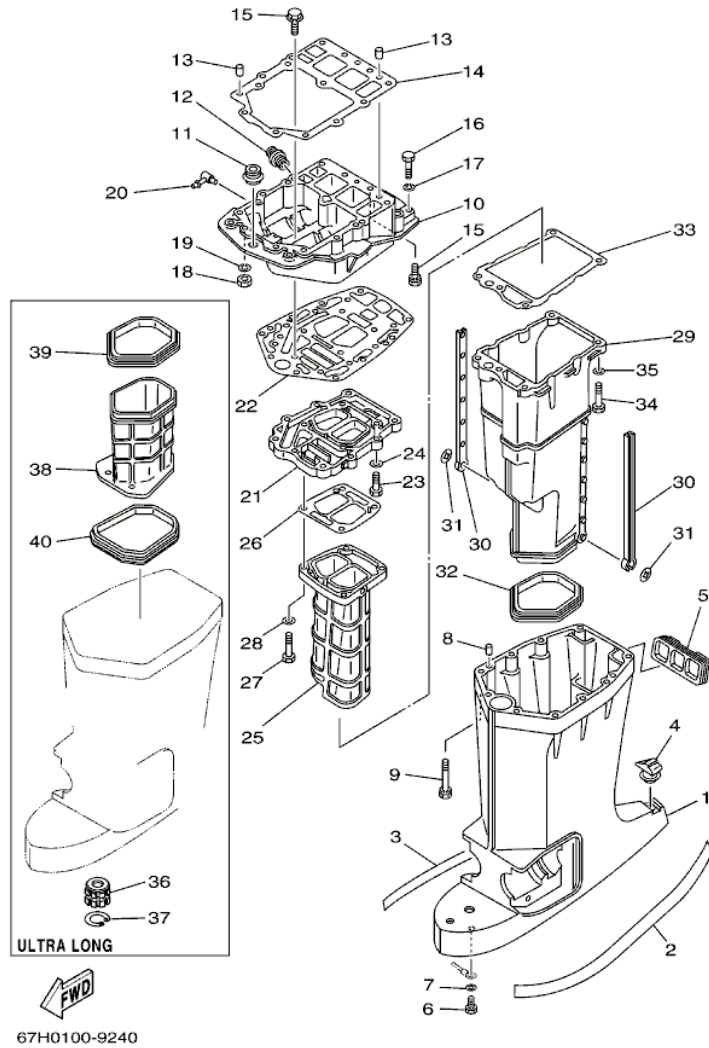
©2013 Yamaha Motor Corporation, U.S.A. All rights reserved.

## Part List

175TXRY 2000 / POWER TRIM TILT ASSEMBLY 2

| REF<br>-<br>NO | PART<br>NUMBER  | PART NAME               | QUANTITY | REMARKS |
|----------------|-----------------|-------------------------|----------|---------|
| 1              | 64E-4388E-00-00 | BOLT ,SCREW (L:14MM)    | 4        |         |
| 2              | 64E-43831-00-00 | CONNECTOR, SHAFT        | 1        |         |
| 3              | 64E-43868-00-00 | O-RING                  | 1        |         |
| 4              | 64E-43830-00-00 | GEAR PUMP ASSY          | 1        |         |
| 5              | 72X-43858-00-00 | .BALL                   | 2        |         |
| 6              | 64E-43843-00-00 | .SCREW, VALVE LOCK      | 4        |         |
| 7              | 64E-43841-00-00 | .PISTON, SHUTTLE        | 2        |         |
| 8              | 64E-43802-00-00 | .VALVE SUB ASSY         | 2        |         |
| 9              | 6E5-43896-00-00 | ..O-RING                | 1        |         |
| 10             | 6G5-43863-00-00 | .O-RING                 | 1        |         |
| 11             | 64E-43851-00-00 | .SEAT, RELIEF VALVE     | 1        |         |
| 12             | 64E-43858-00-00 | .BALL                   | 1        |         |
| 13             | 64E-43859-00-00 | .PIN, VALVE SUPPORT     | 1        |         |
| 14             | 64E-43855-00-00 | .SPRING, UP RELIEF      | 1        |         |
| 15             | 6E5-43826-01-00 | .PLUG, TAPER SCREW      | 2        |         |
| 16             | 64E-43850-00-00 | .VALVE SUB ASSY         | 1        |         |
| 17             | 64E-43865-00-00 | .O-RING                 | 1        |         |
| 18             | 64E-43816-00-00 | .FILTER 1               | 2        |         |
| 19             | 64E-43858-00-00 | .BALL                   | 2        |         |
| 20             | 64E-43817-10-00 | FILTER 2                | 1        |         |
| 21             | 64E-43860-00-00 | MANUAL VALVE SUB-ASSY   | 1        |         |
| 22             | 72X-85075-L0-00 | .O-RING                 | 1        |         |
| 23             | 64E-43862-00-00 | .O-RING                 | 1        |         |
| 24             | 64E-43875-00-00 | RING, SNAP              | 1        |         |
| 25             | 64E-43879-10-00 | SCREW, WITH WASHER      | 1        |         |
| 26             | 64E-43879-00-00 | SCREW, WITH WASHER      | 2        |         |
| 27             | 64E-43880-00-00 | MOTOR ASSY              | 1        |         |
| 28             | 6H1-4386K-10-00 | .SPRING, BRUSH          | 2        |         |
| 29             | 64E-4380J-00-00 | .HOLDER, BRUSH          | 1        |         |
| 30             | 64E-43891-00-00 | .BRUSH 1                | 1        |         |
| 31             | 98507-04010-00  | .SCREW, PAN HEAD        | 2        |         |
| 32             | 64E-4380F-00-00 | .HOLDER, BRUSH 2        | 1        |         |
| 33             | 64E-43892-00-00 | .BREAKER COMP (BRUSH 2) | 1        |         |
| 34             | 6G5-43865-00-00 | .O-RING                 | 1        |         |
| 35             | 93102-08M43-00  | .OIL SEAL               | 1        |         |
| 36             | 64E-43805-00-00 | .ARMATURE ASSY          | 1        |         |
| 37             | 64E-43843-10-00 | .SCREW, VALVE LOCK      | 3        |         |

175TXRY 2000 / UPPER CASING



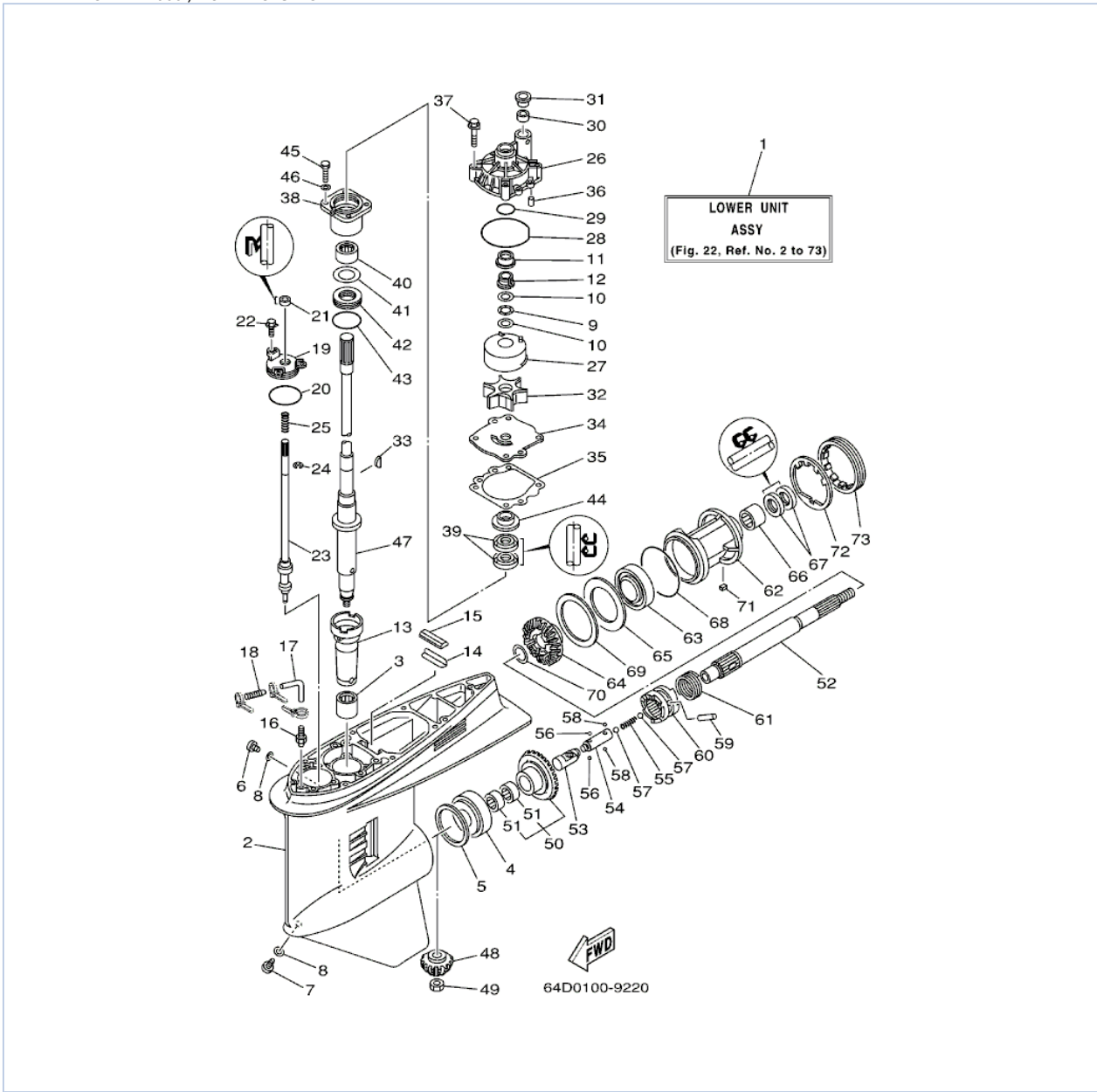
©2013 Yamaha Motor Corporation, U.S.A. All rights reserved.

## Part List

175TXRY 2000 / UPPER CASING

| REF<br>-<br>NO | PART<br>NUMBER  | PART NAME                    | QUANTITY | REMARKS      |
|----------------|-----------------|------------------------------|----------|--------------|
| 1              | 6E5-45111-23-8D | CASING, UPPER                | 1        | X            |
| 1              | 6E5-45111-02-8D | CASING, UPPER                | 1        | L            |
| 2              | 6R3-42791-41-00 | MARK 1                       | 1        |              |
| 3              | 6R3-42792-41-00 | MARK 2                       | 1        |              |
| 4              | 6E5-45155-00-00 | CAP                          | 1        |              |
| 5              | 6E5-42769-00-00 | SEAL, RUBBER                 | 1        |              |
| 6              | 97095-06010-00  | BOLT                         | 1        |              |
| 7              | 92995-06600-00  | WASHER                       | 1        |              |
| 8              | 93608-12M05-00  | PIN, DOWEL                   | 2        |              |
| 9              | 90119-08M78-00  | BOLT, WITH WASHER            | 6        |              |
| 10             | 6G5-41137-11-94 | GUIDE, EXHAUST               | 1        | FLUSHING KIT |
| 11             | 6E5-42724-00-00 | GROMMET                      | 1        |              |
| 12             | 6G5-12581-00-00 | JOINT, HOSE 1                | 1        |              |
| 13             | 93608-12M05-00  | PIN, DOWEL                   | 2        |              |
| 14             | 6G5-45113-A1-00 | .GASKET, UPPER CASING        | 1        |              |
| 15             | 90119-08M79-00  | BOLT, WITH WASHER            | 6        |              |
| 16             | 97095-08045-00  | .BOLT                        | 2        |              |
| 17             | 92995-08100-00  | WASHER                       | 2        |              |
| 18             | 95380-08700-00  | NUT                          | 2        |              |
| 19             | 92995-08100-00  | WASHER                       | 2        |              |
| 20             | 6H1-11372-00-00 | .NIPPLE, HOSE                | 1        | FLUSHING KIT |
| 21             | 6G5-41131-01-5B | MANIFOLD, EXT. 1             | 1        |              |
| 22             | 6G5-45114-A0-00 | GASKET, UPPER CASING         | 1        |              |
| 23             | 97095-08030-00  | BOLT                         | 4        |              |
| 24             | 92995-08600-00  | WASHER                       | 4        |              |
| 25             | 64D-41132-00-5B | MANIFOLD, EXHAUST            | 1        |              |
| 26             | 6G5-41134-A0-00 | .GASKET, EXHAUST<br>MANIFOLD | 1        |              |
| 27             | 97095-08045-00  | .BOLT                        | 4        |              |
| 28             | 92995-08600-00  | WASHER                       | 4        |              |
| 29             | 6E5-14711-01-5B | MUFFLER 1                    | 1        |              |
| 30             | 6E5-14737-00-00 | DAMPER, MUFFLER              | 2        |              |
| 31             | 90183-05M02-00  | NUT, SPRING                  | 2        |              |
| 32             | 6E5-45123-00-00 | .GASKET, MUFFLER             | 1        |              |
| 33             | 6E5-41135-A0-00 | .GASKET, EXHAUST<br>MANIFOLD | 1        |              |
| 34             | 97095-08045-00  | .BOLT                        | 5        |              |
| 35             | 92995-08600-00  | WASHER                       | 5        |              |
| 36             | 6E5-45318-00-00 | BUSHING, DRIVE SHAFT         | 1        | X            |
| 37             | 93420-36M01-00  | CIRCLIP                      | 1        | X            |
| 38             | 64D-14721-20-5B | MUFFLER 2                    | 1        | X            |
| 39             | 64D-45123-00-00 | GASKET, MUFFLER              | 1        | X            |
| 40             | 64D-45375-00-00 | DAMPER, SEAL                 | 1        | X            |

175TXRY 2000 / LOWER CASING DRIVE 1



©2013 Yamaha Motor Corporation, U.S.A. All rights reserved.

## Part List

175TXRY 2000 / LOWER CASING DRIVE 1








| REF - NO | PART NUMBER     | PART NAME                 | QUANTITY | REMARKS |
|----------|-----------------|---------------------------|----------|---------|
| 1        | 64D-45300-21-8D | LOWER UNIT ASSY           | 1        | X       |
| 1        | 64D-45300-01-8D | LOWER UNIT ASSY           | 1        | L       |
| 2        | 6J9-45301-04-8D | CASING, LOWER             | 1        |         |
| 3        | 93311-928U5-00  | BEARING                   | 1        |         |
| 4        | 93332-000V3-00  | BEARING                   | 1        |         |
| 5        | 6G5-45567-01-12 | SHIM (T:0.12MM)           | 1        | UR      |
| 5        | 6G5-45567-01-30 | SHIM (T:0.30MM)           | 1        | UR      |
| 5        | 6G5-45567-01-50 | SHIM (T:0.50MM)           | 1        | UR      |
| 5        | 6G5-45567-01-40 | SHIM (T:0.40MM)           | 1        | UR      |
| 5        | 6G5-45567-01-15 | SHIM (T:0.15MM)           | 1        | UR      |
| 5        | 6G5-45567-01-18 | SHIM (T:0.18MM)           | 1        | UR      |
| 5        | 6G5-45567-01-10 | SHIM (T:0.10MM)           | 1        | UR      |
| 6        | 90340-08M04-00  | PLUG, STRAIGHT SCREW      | 1        |         |
| 7        | 688-45341-00-00 | PLUG, DRAIN               | 1        |         |
| 8        | 90430-08020-00  | .GASKET                   | 2        |         |
| 9        | 90206-22M19-00  | WASHER, WAVE              | 1        |         |
| 10       | 90201-22M01-00  | WASHER, PLATE             | 2        |         |
| 11       | 61A-45527-00-00 | COLLAR, DRIVE SHAFT       | 1        |         |
| 12       | 61A-45538-00-00 | SPACER 1                  | 1        |         |
| 13       | 6G5-45536-01-00 | SLEEVE, DRIVE SHAFT       | 1        |         |
| 14       | 64D-45376-00-94 | GUIDE, SEAL DAMPER        | 1        | X       |
| 14       | 663-45376-00-94 | GUIDE, SEAL DAMPER        | 1        | L       |
| 15       | 688-45375-00-00 | DAMPER, SEAL              | 1        |         |
| 16       | 6E5-45378-00-00 | NIPPLE, HOSE              | 1        |         |
| 17       | 90445-07ME8-00  | HOSE (L80)                | 1        | L       |
| 17       | 90445-07ME9-00  | HOSE (L120)               | 1        | X       |
| 18       | 6E5-83558-10-00 | END, NIPPLE               | 1        |         |
| 19       | 6E5-45321-00-00 | PLATE                     | 1        |         |
| 20       | 93210-58144-00  | .O-RING                   | 1        |         |
| 21       | 93106-09014-00  | .OIL SEAL                 | 1        |         |
| 22       | 90119-06M10-00  | BOLT, WITH WASHER         | 3        |         |
| 23       | 6G5-44150-02-00 | SHIFT CAM ASSY            | 1        |         |
| 24       | 93430-08006-00  | CIRCLIP                   | 1        |         |
| 25       | 90501-11M10-00  | SPRING, COMPRESSION       | 1        |         |
| 26       | 61A-44311-01-00 | HOUSING, WATER PUMP       | 1        |         |
| 27       | 61A-44322-02-00 | .INSERT, CARTRIDGE        | 1        |         |
| 28       | 93210-86M38-00  | .O-RING                   | 1        |         |
| 29       | 93210-37160-00  | .O-RING                   | 1        |         |
| 30       | 6E5-44365-00-00 | DAMPER, WATER SEAL 1      | 1        |         |
| 31       | 6E5-44312-00-00 | COVER, WATER PUMP HOUSING | 1        |         |
| 32       | 6E5-44352-01-00 | .IMPELLER                 | 1        |         |
| 33       | 90280-04M05-00  | .KEY, WOODRUFF            | 1        |         |
| 34       | 6G5-44323-00-00 | .OUTER PLATE, CARTRIDGE   | 1        |         |
| 35       | 6E5-44315-A0-00 | .GASKET, WATER PUMP       | 1        |         |
| 36       | 93606-12019-00  | .PIN, DOWEL               | 2        |         |
| 37       | 90119-08M14-00  | .BOLT, WITH WASHER        | 4        |         |
| 38       | 6E5-45331-00-94 | HOUSING, BEARING          | 1        |         |
| 39       | 93101-28M16-00  | .OIL SEAL                 | 2        |         |
| 40       | 93317-330U2-00  | BEARING                   | 1        |         |
| 41       | 6E5-45587-01-12 | SHIM (T:0.12MM)           | 1        | UR      |
| 41       | 6E5-45587-01-30 | SHIM (T:0.30MM)           | 1        | UR      |
| 41       | 6E5-45587-01-50 | SHIM (T:0.50MM)           | 1        | UR      |
| 41       | 6E5-45587-01-40 | SHIM (T:0.40MM)           | 1        | UR      |






|    |                 |                     |   |    |
|----|-----------------|---------------------|---|----|
| 41 | 6E5-45587-01-15 | SHIM (T:0.15MM)     | 1 | UR |
| 41 | 6E5-45587-01-18 | SHIM (T:0.18MM)     | 1 | UR |
| 41 | 6E5-45587-01-10 | SHIM (T:0.10MM)     | 1 | UR |
| 42 | 93341-930V2-00  | BEARING             | 1 |    |
| 43 | 93210-55M14-00  | .O-RING             | 1 |    |
| 44 | 6E5-45344-00-00 | COVER, OIL SEAL     | 1 |    |
| 45 | 97095-08025-00  | BOLT                | 4 |    |
| 46 | 92995-08600-00  | WASHER              | 4 |    |
| 47 | 6G5-45501-21-00 | DRIVE SHAFT COMP.   | 1 | X  |
| 47 | 6G5-45501-01-00 | DRIVE SHAFT COMP.   | 1 | L  |
| 48 | 6G5-45551-01-00 | PINION (14T)        | 1 |    |
| 49 | 90170-16M01-00  | NUT                 | 1 |    |
| 50 | 6G5-45560-01-00 | GEAR 1 (26T)        | 1 |    |
| 51 | 93315-425V3-00  | .BEARING            | 2 |    |
| 52 | 6J9-45611-01-00 | SHAFT, PROPELLER    | 1 |    |
| 53 | 6E5-45641-02-00 | SHIFTER             | 1 |    |
| 54 | 6E5-45634-01-00 | SLIDE, SHIFT        | 1 |    |
| 55 | 90501-16M37-00  | SPRING, COMPRESSION | 1 |    |
| 56 | 93507-32009-00  | .BALL               | 2 |    |
| 57 | 93511-32017-00  | BALL                | 2 |    |
| 58 | 93503-16003-00  | BALL                | 2 |    |
| 59 | 90250-08M07-00  | PIN, STRAIGHT       | 1 |    |
| 60 | 6G5-45631-00-00 | CLUTCH, DOG         | 1 |    |
| 61 | 6E5-45633-01-00 | RING, CROSS PIN     | 1 |    |
| 62 | 6J9-45332-00-94 | HOUSING, BEARING    | 1 |    |
| 63 | 93306-209U0-00  | BEARING             | 1 |    |
| 64 | 6G5-45571-02-00 | GEAR 2 (26T)        | 1 |    |
| 65 | 6G5-45576-00-00 | WASHER, THRUST      | 1 |    |
| 66 | 93315-430U8-00  | BEARING             | 1 |    |
| 67 | 93101-30M17-00  | .OIL SEAL           | 2 |    |
| 68 | 93210-97M55-00  | .O-RING             | 1 |    |
| 69 | 6G5-45577-02-12 | SHIM (T:0.12MM)     | 1 | UR |
| 69 | 6G5-45577-02-30 | SHIM (T:0.30MM)     | 1 | UR |
| 69 | 6G5-45577-02-50 | SHIM (T:0.50MM)     | 1 | UR |
| 69 | 6G5-45577-02-40 | SHIM (T:0.40MM)     | 1 | UR |
| 69 | 6G5-45577-02-15 | SHIM (T:0.15MM)     | 1 | UR |
| 69 | 6G5-45577-02-18 | SHIM (T:0.18MM)     | 1 | UR |
| 69 | 6G5-45577-02-10 | SHIM (T:0.10MM)     | 1 | UR |
| 70 | 90201-30M92-00  | WASHER, PLATE       | 1 |    |
| 71 | 90282-04M00-00  | KEY, STRAIGHT       | 1 |    |
| 72 | 6G5-45383-01-00 | WASHER, CLAW        | 1 |    |
| 73 | 6G5-45384-00-00 | NUT                 | 1 |    |

## Part Notes

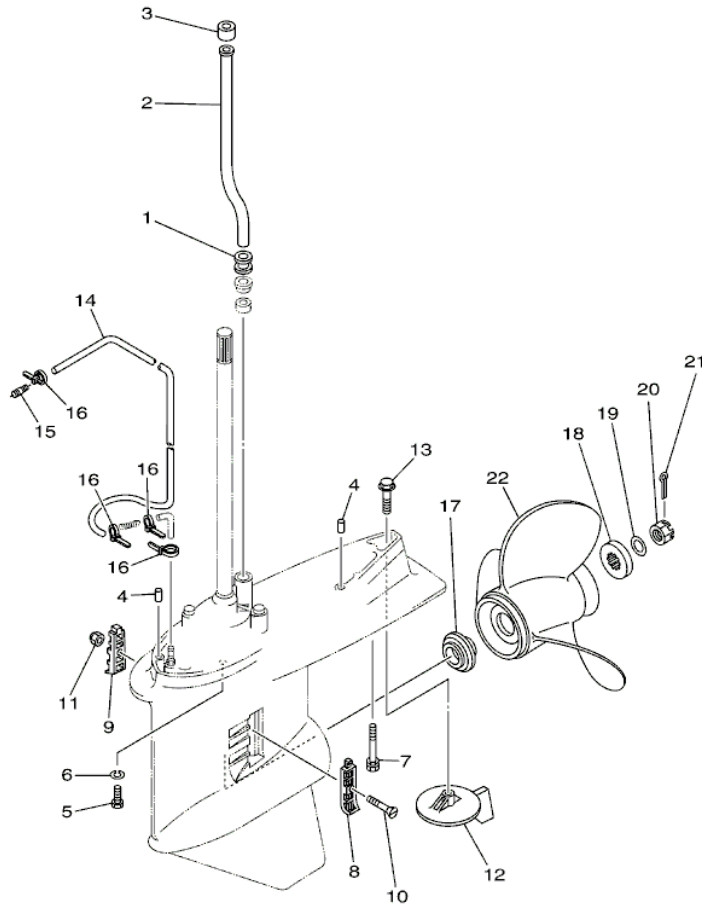
175TXRY 2000 / LOWER CASING DRIVE 1

| PART NUMBER     |   | NOTE TEXT   |
|-----------------|---|---|
| 90430-08020-00  |  | OEM: This part number is among the Top 100 Most Popular Marine Maintenance Parts as of August 2013. |
| 90201-22M01-00  |  | OEM: This part number is among the Top 100 Most Popular Marine Maintenance Parts as of August 2013. |
| 61A-45527-00-00 |  | OEM: This part number is among the Top 100 Most Popular Marine Maintenance Parts as of August 2013. |
| 61A-45538-00-00 |  | OEM: This part number is among the Top 100 Most Popular Marine Maintenance Parts as of August 2013. |
| 93106-09014-00  |  | OEM: This part number is among the Top 100 Most Popular Marine Maintenance Parts as of August 2013. |
| 61A-44311-01-00 |  | OEM: This part number is among the Top 100 Most Popular Marine Maintenance Parts as of August 2013. |
| 93210-86M38-00  |  | OEM: This part number is among the Top 100 Most Popular Marine Maintenance Parts as of August 2013. |

|                 |   |   |
|-----------------|---|---|
| 6E5-44352-01-00 |  | OEM: This part number is among the Top 100 Most Popular Marine Maintenance Parts as of August 2013. |
| 93101-28M16-00  |  | OEM: This part number is among the Top 100 Most Popular Marine Maintenance Parts as of August 2013. |
| 93101-30M17-00  |  | OEM: This part number is among the Top 100 Most Popular Marine Maintenance Parts as of August 2013. |

©2013 Yamaha Motor Corporation, U.S.A. All rights reserved.

175TXRY 2000 / LOWER CASING DRIVE 2



  
67H0010-9250

©2013 Yamaha Motor Corporation, U.S.A. All rights reserved.




## Part List

175TXRY 2000 / LOWER CASING DRIVE 2

| REF<br>-<br>NO | PART<br>NUMBER  | PART NAME                      | QUANTITY | REMARKS |
|----------------|-----------------|--------------------------------|----------|---------|
| 1              | 6E5-44366-00-00 | DAMPER, WATER SEAL 2           | 1        |         |
| 2              | 6E5-44361-20-00 | TUBE, WATER 1                  | 1        | X       |
| 2              | 6E5-44361-00-00 | TUBE, WATER 1                  | 1        | L       |
| 3              | 6E5-44365-00-00 | DAMPER, WATER SEAL 1           | 1        |         |
| 4              | 93608-12M05-00  | PIN, DOWEL                     | 2        |         |
| 5              | 97075-10045-00  | BOLT                           | 6        |         |
| 6              | 92995-10100-00  | WASHER                         | 6        |         |
| 7              | 90119-10M89-00  | BOLT, WITH WASHER              | 1        |         |
| 8              | 6J9-45214-00-00 | COVER, WATER INLET 1           | 1        |         |
| 9              | 6J9-45215-00-00 | COVER, WATER INLET 2           | 1        |         |
| 10             | 90152-05M08-00  | SCREW, COUNTERSUNK             | 1        |         |
| 11             | 90185-05002-00  | NUT, NYLON                     | 1        |         |
| 12             | 6J9-45371-01-00 | TAB-TRIM                       | 1        |         |
| 13             | 90105-10M00-00  | BOLT, FLANGE                   | 1        |         |
| 14             | 90445-07M33-00  | HOSE (L1080)                   | 1        |         |
| 15             | 6E5-83558-00-00 | END, NIPPLE                    | 1        |         |
| 16             | 90465-11M10-00  | CLAMP                          | 4        |         |
| 17             | 6E5-45987-01-00 | SPACER 1                       | 1        |         |
| 18             | 688-45997-01-00 | SPACER 2                       | 1        |         |
| 19             | 92990-18200-00  | WASHER                         | 1        |         |
| 20             | 90171-18M04-00  | NUT, CASTLE                    | 1        |         |
| 21             | 91490-40030-00  | PIN, COTTER                    | 1        |         |
| 22             | 6G5-45941-00-98 | PROPELLER (3X15-1/4"X15"-M)    | 1        | UR      |
| 22             | 6R4-45974-A0-00 | PROPELLER (3X14-1/2"X23"-M)    | 1        | UR      |
| 22             | 6G5-45949-00-98 | PROPELLER (3X13-1/2"X23"-M)    | 1        | UR      |
| 22             | 6G5-45972-02-98 | PROPELLER (3X13-3/4"X21"-M)    | 1        | UR      |
| 22             | 6G5-45976-01-98 | PROPELLER (3X13-3/8"X23"-M)    | 1        | UR      |
| 22             | 6G5-45930-00-98 | PROPELLER (3X13-3/8"X25"-M)    | 1        | UR      |
| 22             | 6G5-45952-00-98 | PROPELLER (3X14-5/8"X16"-M)    | 1        | UR      |
| 22             | 6G5-45947-01-98 | PROPELLER (3X14-1/2"X17"-M)    | 1        | UR      |
| 22             | 6G5-45970-02-98 | PROPELLER (3X15-1/4"X15"-M)    | 1        | UR      |
| 22             | 6G5-45932-00-98 | PROPELLER (3X15-3/4"X13"-M)    | 1        | UR      |
| 22             | 6G5-45974-03-98 | PROPELLER (3X13-3/4"X19"-M2)   | 1        | UR      |
| 22             | 6G5-45978-03-98 | PROPELLER (3X13-3/4"X17"-M2)   | 1        | UR      |
| 22             | 6G5-45943-01-98 | PROPELLER (3X13-3/4"X21"-M)    | 1        | UR      |
| 22             | 6R4-45976-A0-00 | PROPELLER (3X14-1/2"X15"-M)    | 1        | UR      |
| 22             | 6R4-45978-A0-00 | PROPELLER (3X15-1/4"X17"-M)    | 1        | UR      |
| 22             | 6R4-45970-A0-00 | PROPELLER (3 X15-1/4" X19"R-M) | 1        | UR      |
| 22             | 6R4-45972-A0-00 | PROPELLER (3X14-7/8"X21"-M)    | 1        | UR      |
| 22             | 6G5-45945-01-98 | PROPELLER (3X14"X19"-M)        | 1        | UR      |

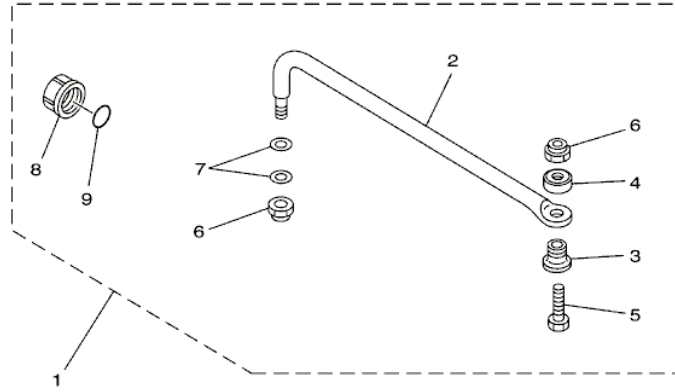
## Part Notes

175TXRY 2000 / LOWER CASING DRIVE 2

| PART NUMBER     |   | NOTE TEXT   |
|-----------------|---|---|
| 639-45371-01-00 |  | OEM: This part number is among the Top 100 Most Popular Marine Maintenance Parts as of August 2013. |
| 90105-10M00-00  |  | OEM: This part number is among the Top 100 Most Popular Marine Maintenance Parts as of August 2013. |
| 91490-40030-00  |  | OEM: This part number is among the Top 100 Most Popular Marine Maintenance Parts as of August 2013. |

©2013 Yamaha Motor Corporation, U.S.A. All rights reserved.

175TXRY 2000 / STEERING GUIDE



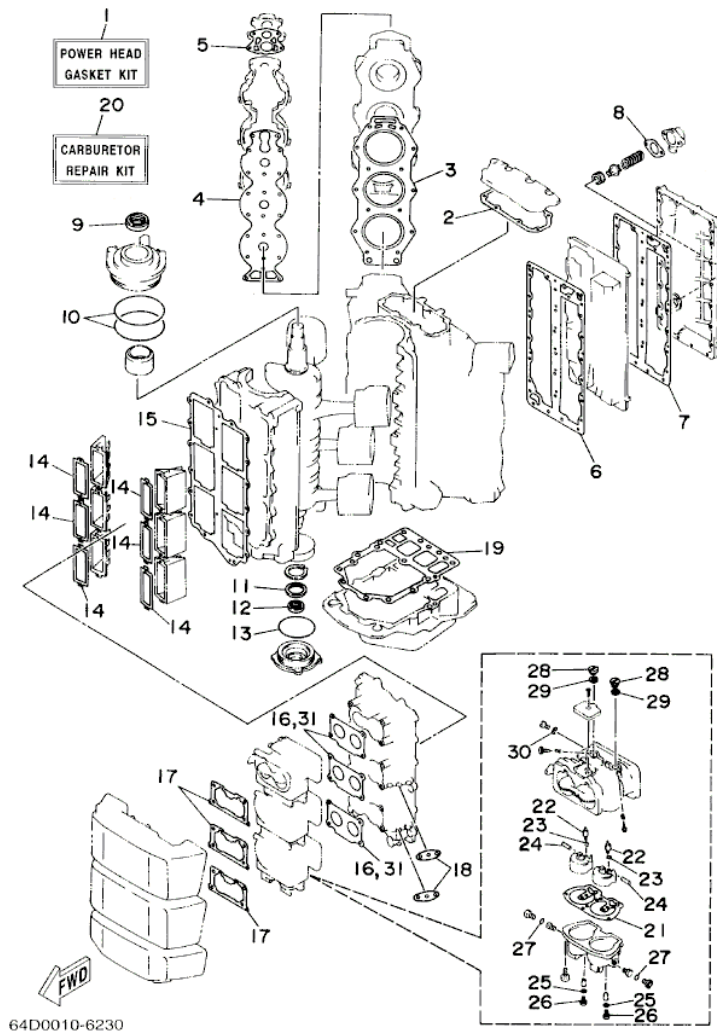
67H0100-9290

## Part List

175TXRY 2000 / STEERING GUIDE

| REF<br>-<br>NO | PART<br>NUMBER  | PART NAME                        | QUANTITY | REMARKS |
|----------------|-----------------|----------------------------------|----------|---------|
| 1              | 6E5-61350-02-00 | STEERING GUIDE<br>ATTACHMENT KIT | 1        | AP      |
| 2              | 6E5-61351-01-00 | .ROD, STEERING LINK              | 1        |         |
| 3              | 90387-10M61-00  | .COLLAR                          | 1        |         |
| 4              | 90560-12M01-00  | .SPACER                          | 1        |         |
| 5              | 6E5-61355-00-00 | .BOLT                            | 1        |         |
| 6              | 90185-09M01-00  | .NUT, SELF-LOCKING               | 2        |         |
| 7              | 90201-10M20-00  | .WASHER, PLATE                   | 2        |         |
| 8              | 6E5-43145-00-00 | .CAP, CLAMP BRACKET              | 1        |         |
| 9              | 93210-16275-00  | .O-RING                          | 1        |         |

175TXRY 2000 / REPAIR KIT 1



©2013 Yamaha Motor Corporation, U.S.A. All rights reserved.





## Part List

175TXRY 2000 / REPAIR KIT 1

| REF - NO | PART NUMBER     | PART NAME                    | QUANTITY | REMARKS |
|----------|-----------------|------------------------------|----------|---------|
| 1        | 64D-W0001-00-00 | POWER HEAD GASKET KIT        | 1        |         |
| 2        | 6E5-11381-A2-00 | .GASKET 1                    | 1        |         |
| 3        | 6G5-11181-A1-00 | .GASKET, CYLINDER HEAD 1     | 2        |         |
| 4        | 6G5-11193-A0-00 | .GASKET, HEAD COVER 1        | 2        |         |
| 5        | 688-12414-A1-00 | .GASKET, COVER               | 2        |         |
| 6        | 6G5-41112-A1-00 | .GASKET, EXHAUST INNER COVER | 1        |         |
| 7        | 6G5-41112-A1-00 | .GASKET, EXHAUST INNER COVER | 1        |         |
| 8        | 6G5-11382-A1-00 | .GASKET 2                    | 1        |         |
| 9        | 93102-40M14-00  | .OIL SEAL                    | 1        |         |
| 10       | 93211-04M36-00  | .O-RING                      | 2        |         |
| 11       | 93102-35M13-00  | .OIL SEAL                    | 1        |         |
| 12       | 93101-22M15-00  | .OIL SEAL                    | 1        |         |
| 13       | 93210-74M35-00  | .O-RING                      | 1        |         |
| 14       | 6E5-13621-A1-00 | .GASKET, VALVE SEAT          | 6        |         |
| 15       | 6G5-13645-A1-00 | .GASKET, MANIFOLD 1          | 1        |         |
| 16       | 6E5-14198-A2-00 | .GASKET                      | 3        |         |
| 17       | 6K7-14483-00-00 | .GASKET                      | 3        |         |
| 18       | 650-24431-A0-00 | .GASKET, FUEL PUMP 1         | 2        |         |
| 19       | 6G5-45113-A1-00 | .GASKET, UPPER CASING        | 1        |         |
| 20       | 64D-W0093-00-00 | CARBURETOR REPAIR KIT        | 1        |         |
| 21       | 64D-14384-00-00 | .GASKET, FLOAT CHAMBER       | 1        |         |
| 22       | 6E5-14546-00-00 | .VALVE, NEEDLE               | 2        |         |
| 23       | 6E5-14159-00-00 | .CLIP                        | 2        |         |
| 24       | 6E5-14386-02-00 | .PIN, FLOAT                  | 2        |         |
| 25       | 61U-14959-00-00 | .GASKET                      | 2        |         |
| 26       | 64D-14394-00-00 | .VALVE, DRAIN                | 2        |         |
| 27       | 6E5-14398-01-00 | .GASKET                      | 2        |         |
| 28       | 6E5-14328-01-00 | .PLUG                        | 2        |         |
| 29       | 6E5-14979-00-00 | .GASKET                      | 2        |         |
| 30       | 6J8-14995-00-00 | .GASKET                      | 1        |         |
| 31       | 6E5-14198-A2-00 | .GASKET                      | 1        |         |

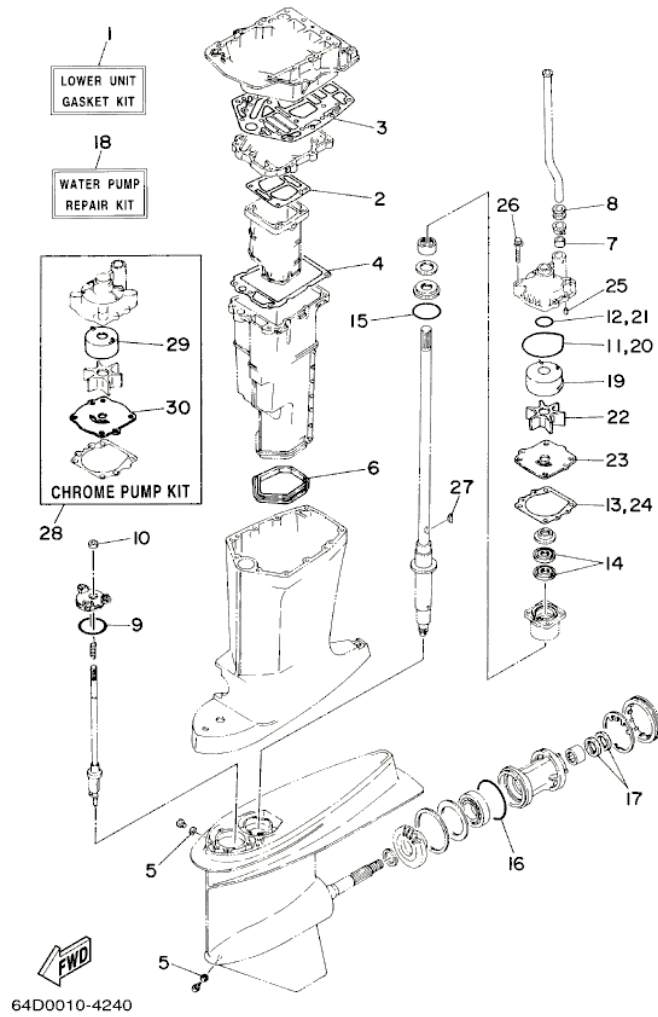
## Part Notes

175TXRY 2000 / REPAIR KIT 1

| PART NUMBER     |   | NOTE TEXT   |
|-----------------|---|---|
| 688-12414-A1-00 |  | OEM: This part number is among the Top 100 Most Popular Marine Maintenance Parts as of August 2013. |
| 650-24431-A0-00 |  | OEM: This part number is among the Top 100 Most Popular Marine Maintenance Parts as of August 2013. |

©2013 Yamaha Motor Corporation, U.S.A. All rights reserved.

175TXRY 2000 / REPAIR KIT 2



©2013 Yamaha Motor Corporation, U.S.A. All rights reserved.








## Part List

175TXRY 2000 / REPAIR KIT 2

| REF - NO | PART NUMBER     | PART NAME                 | QUANTITY | REMARKS |
|----------|-----------------|---------------------------|----------|---------|
| 1        | 6G5-W0001-C1-00 | LOWER UNIT GASKET KIT     | 1        |         |
| 2        | 6G5-41134-A0-00 | .GASKET, EXHAUST MANIFOLD | 1        |         |
| 3        | 6G5-45114-A0-00 | .GASKET, UPPER CASING     | 1        |         |
| 4        | 6E5-41135-A0-00 | .GASKET, EXHAUST MANIFOLD | 1        |         |
| 5        | 90430-08020-00  | .GASKET                   | 2        |         |
| 6        | 6E5-45123-00-00 | .GASKET, MUFFLER          | 1        |         |
| 7        | 6E5-44365-00-00 | .DAMPER, WATER SEAL 1     | 1        |         |
| 8        | 6E5-44366-00-00 | .DAMPER, WATER SEAL 2     | 1        |         |
| 9        | 93210-58144-00  | .O-RING                   | 1        |         |
| 10       | 93106-09014-00  | .OIL SEAL                 | 1        |         |
| 11       | 93210-86M38-00  | .O-RING                   | 1        |         |
| 12       | 93210-37160-00  | .O-RING                   | 1        |         |
| 13       | 6E5-44315-A0-00 | .GASKET, WATER PUMP       | 1        |         |
| 14       | 93101-28M16-00  | .OIL SEAL                 | 2        |         |
| 15       | 93210-55M14-00  | .O-RING                   | 1        |         |
| 16       | 93210-97M55-00  | .O-RING                   | 1        |         |
| 17       | 93101-30M17-00  | .OIL SEAL                 | 2        |         |
| 18       | 61A-W0078-A2-00 | WATER PUMP REPAIR KIT     | 1        |         |
| 19       | 61A-44322-02-00 | .INSERT, CARTRIDGE        | 1        |         |
| 20       | 93210-86M38-00  | .O-RING                   | 1        |         |
| 21       | 93210-37M67-00  | .O-RING                   | 1        |         |
| 22       | 6E5-44352-01-00 | .IMPELLER                 | 1        |         |
| 23       | 6G5-44323-00-00 | .OUTER PLATE, CARTRIDGE   | 1        |         |
| 24       | 6E5-44315-A0-00 | .GASKET, WATER PUMP       | 1        |         |
| 25       | 93606-12019-00  | .PIN, DOWEL               | 2        |         |
| 26       | 90119-08M14-00  | .BOLT, WITH WASHER        | 4        |         |
| 27       | 90280-04M05-00  | .KEY, WOODRUFF            | 1        |         |
| 28       | 61A-W0078-1A-00 | CHROME PUMP KIT           | 1        |         |
| 29       | 6R3-44322-41-00 | .INSERT, CARTRIDGE        | 1        |         |
| 30       | 6G5-49323-40-00 | OUTER PLATE, CARTRIDGE    | 1        |         |

## Part Notes

175TXRY 2000 / REPAIR KIT 2

| PART NUMBER     |   | NOTE TEXT   |
|-----------------|---|---|
| 90430-08020-00  |  | OEM: This part number is among the Top 100 Most Popular Marine Maintenance Parts as of August 2013. |
| 93106-09014-00  |  | OEM: This part number is among the Top 100 Most Popular Marine Maintenance Parts as of August 2013. |
| 93210-86M38-00  |  | OEM: This part number is among the Top 100 Most Popular Marine Maintenance Parts as of August 2013. |
| 93101-28M16-00  |  | OEM: This part number is among the Top 100 Most Popular Marine Maintenance Parts as of August 2013. |
| 93101-30M17-00  |  | OEM: This part number is among the Top 100 Most Popular Marine Maintenance Parts as of August 2013. |
| 93210-86M38-00  |  | OEM: This part number is among the Top 100 Most Popular Marine Maintenance Parts as of August 2013. |
| 6E5-44352-01-00 |  | OEM: This part number is among the Top 100 Most Popular Marine Maintenance Parts as of August 2013. |

©2013 Yamaha Motor Corporation, U.S.A. All rights reserved.

©2013 Yamaha Motor Corporation, U.S.A. All rights reserved.