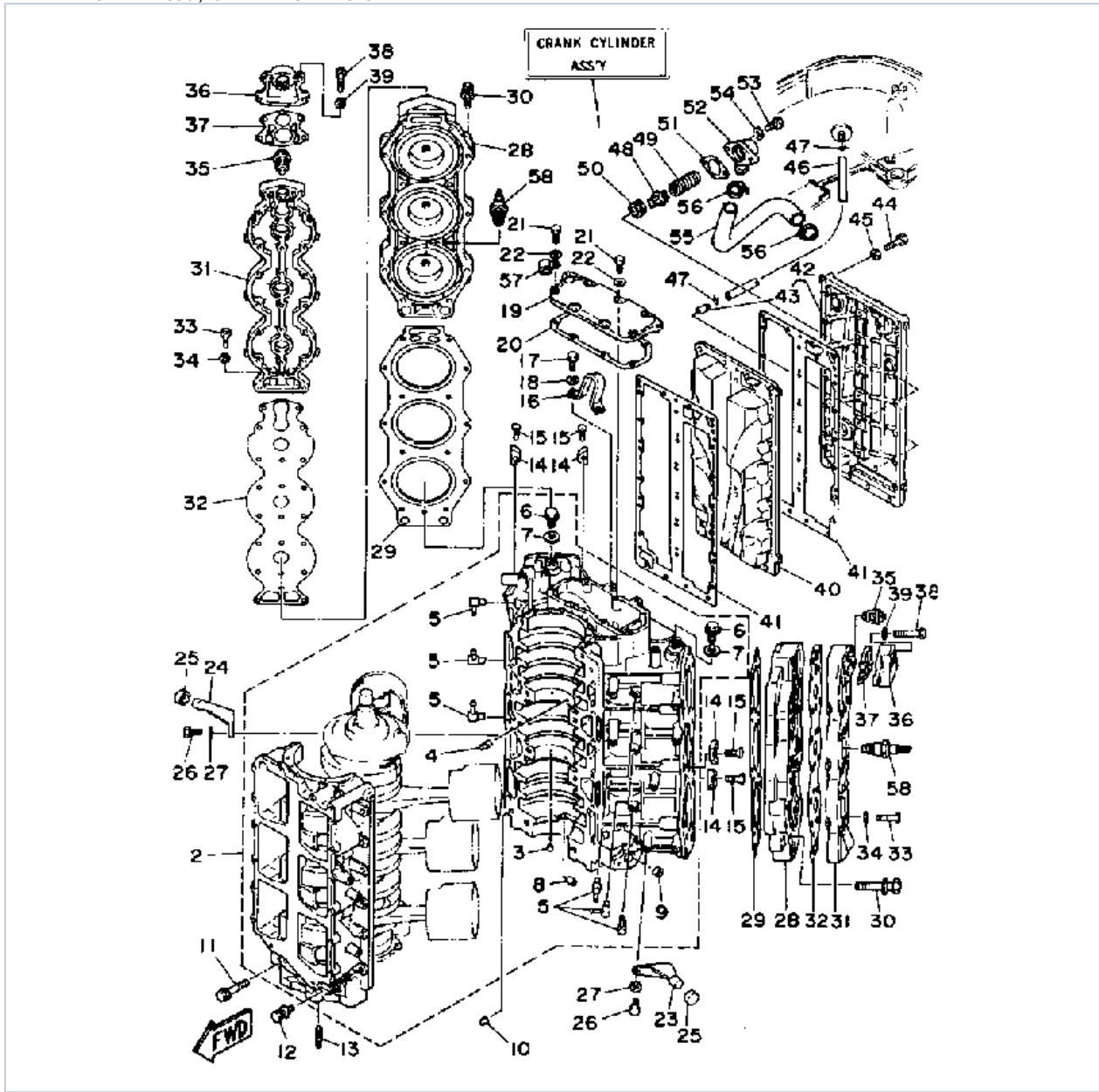


175ETLDA 1990 / CYLINDER CRANKCASE



©2013 Yamaha Motor Corporation, U.S.A. All rights reserved.

## Part List








175ETLDA 1990 / CYLINDER CRANKCASE

| REF<br>-<br>NO | PART<br>NUMBER  | PART NAME                      | QUANTITY | REMARKS |
|----------------|-----------------|--------------------------------|----------|---------|
| 1              | 6R2-W0090-13-EK | CRANK-CYLINDER ASSEMBLY        | 1        | 150     |
| 1              | 6R4-W0090-13-EK | CRANK-CYLINDER ASSEMBLY        | 1        | 175/200 |
| 2              | 6R3-15100-00-94 | CRANKCASE ASSEMBLY             | 1        | 175/200 |
| 2              | 6R2-15100-00-94 | CRANKCASE ASSEMBLY             | 1        | 150     |
| 3              | 624-11379-00-00 | .VALVE, CHECK                  | 2        |         |
| 4              | 663-11518-01-00 | .LOCK, BEARING                 | 2        |         |
| 5              | 646-11370-00-00 | .CHECK VALVE ASSY              | 6        |         |
| 6              | 90340-14M00-00  | .PLUG, STRAIGHT SCREW          | 2        |         |
| 7              | 90430-14115-00  | .GASKET                        | 2        |         |
| 8              | 90384-06M07-00  | .BUSH, BIMETAL FORMED          | 1        |         |
| 9              | 90384-14M09-00  | .BUSH, BIMETAL FORMED          | 1        |         |
| 10             | 93608-12063-00  | PIN, DOWEL                     | 2        |         |
| 11             | 90105-10M20-00  | BOLT, FLANGE                   | 8        |         |
| 12             | 90119-08M23-00  | BOLT, W/WASHER                 | 12       |         |
| 13             | 90116-08M14-00  | BOLT, STUD                     | 2        |         |
| 14             | 6E5-11325-00-00 | ANODE                          | 8        |         |
| 15             | 98680-04016-00  | SCREW OVAL HEAD                | 8        |         |
| 16             | 6E5-11119-00-00 | HANGER, ENGINE                 | 1        |         |
| 17             | 97313-08020-00  | BOLT, HEXAGON                  | 2        |         |
| 18             | 92990-08100-00  | WASHER, SPRING                 | 2        |         |
| 19             | 6K7-11371-01-9M | COVER                          | 1        |         |
| 20             | 6E5-11381-00-00 | GASKET 1                       | 1        |         |
| 21             | 97313-06020-00  | BOLT, HEXAGON                  | 7        |         |
| 22             | 92990-06600-00  | WASHER, PLATE                  | 7        |         |
| 23             | 6E5-42761-00-94 | STOPPER                        | 1        |         |
| 24             | 6E5-42762-00-94 | STOPPER                        | 1        |         |
| 25             | 663-44533-00-00 | DAMPER, UPPER MOUNT<br>RUBBER  | 2        |         |
| 26             | 97313-06020-00  | BOLT, HEXAGON                  | 4        |         |
| 27             | 92990-06600-00  | WASHER, PLATE                  | 4        |         |
| 28             | 6G4-11111-02-94 | HEAD, CYLINDER 1               | 2        |         |
| 28             | 6G5-11111-03-94 | HEAD, CYLINDER 1               | 2        |         |
| 29             | 6G5-11181-A0-00 | GASKET, CYLINDER HEAD 1        | 2        |         |
| 30             | 90119-08M21-00  | BOLT, WITH WASHER              | 28       |         |
| 31             | 6G5-11191-00-9M | COVER, CYLINDER HEAD 1         | 2        |         |
| 32             | 6G5-11193-01-00 | GASKET, HEAD COVER 1           | 2        |         |
| 33             | 97313-06030-00  | BOLT                           | 36       |         |
| 34             | 92990-06600-00  | WASHER, PLATE                  | 36       |         |
| 35             | 6E5-12411-20-00 | THERMOSTAT                     | 2        |         |
| 36             | 6G5-12413-00-9M | COVER, THERMOSTAT              | 2        |         |
| 37             | 688-12414-A1-00 | .GASKET, COVER                 | 2        |         |
| 38             | 97313-06045-00  | BOLT, HEXAGON                  | 8        |         |
| 39             | 92990-06600-00  | WASHER, PLATE                  | 8        |         |
| 40             | 6G5-41111-00-9M | INNER COVER, EXHAUST           | 1        |         |
| 41             | 6G5-41112-A1-00 | GASKET, EXHAUST INNER<br>COVER | 2        |         |
| 42             | 6R3-41113-00-9M | OUTER COVER, EXHAUST           | 1        |         |
| 43             | 652-24461-00-00 | .PIPE, JOINT 4                 | 1        |         |
| 44             | 97013-06035-00  | BOLT                           | 29       |         |
| 45             | 92990-06600-00  | WASHER, PLATE                  | 29       |         |
| 46             | 6E5-24312-00-00 | PIPE 2                         | 1        |         |
| 47             | 90467-08004-00  | CLIP                           | 2        |         |
| 48             | 6G5-12416-00-00 | VALVE, PRESSURE CONTROL        | 1        |         |
| 49             | 90501-16M11-00  | SPRING, COMPRESSION            | 1        |         |

|    |                 |                                |   |  |
|----|-----------------|--------------------------------|---|--|
| 50 | 90480-20M05-00  | GROMMET                        | 1 |  |
| 51 | 6G5-11382-A1-00 | .GASKET 2                      | 1 |  |
| 52 | 6G5-11372-00-5B | NIPPLE, HOSE (6G5-11372-00-9M) | 1 |  |
| 53 | 97313-06020-00  | BOLT, HEXAGON                  | 2 |  |
| 54 | 92990-06600-00  | WASHER, PLATE                  | 2 |  |
| 55 | 6G5-12576-00-00 | HOSE 1                         | 1 |  |
| 56 | 90465-13M36-00  | CLAMP                          | 2 |  |
| 57 | 90465-08028-00  | CLAMP                          | 1 |  |
| 58 | NGK-B8HS1-00-00 | PLUG, SPARK (NGK B8HS-10)      | 6 |  |

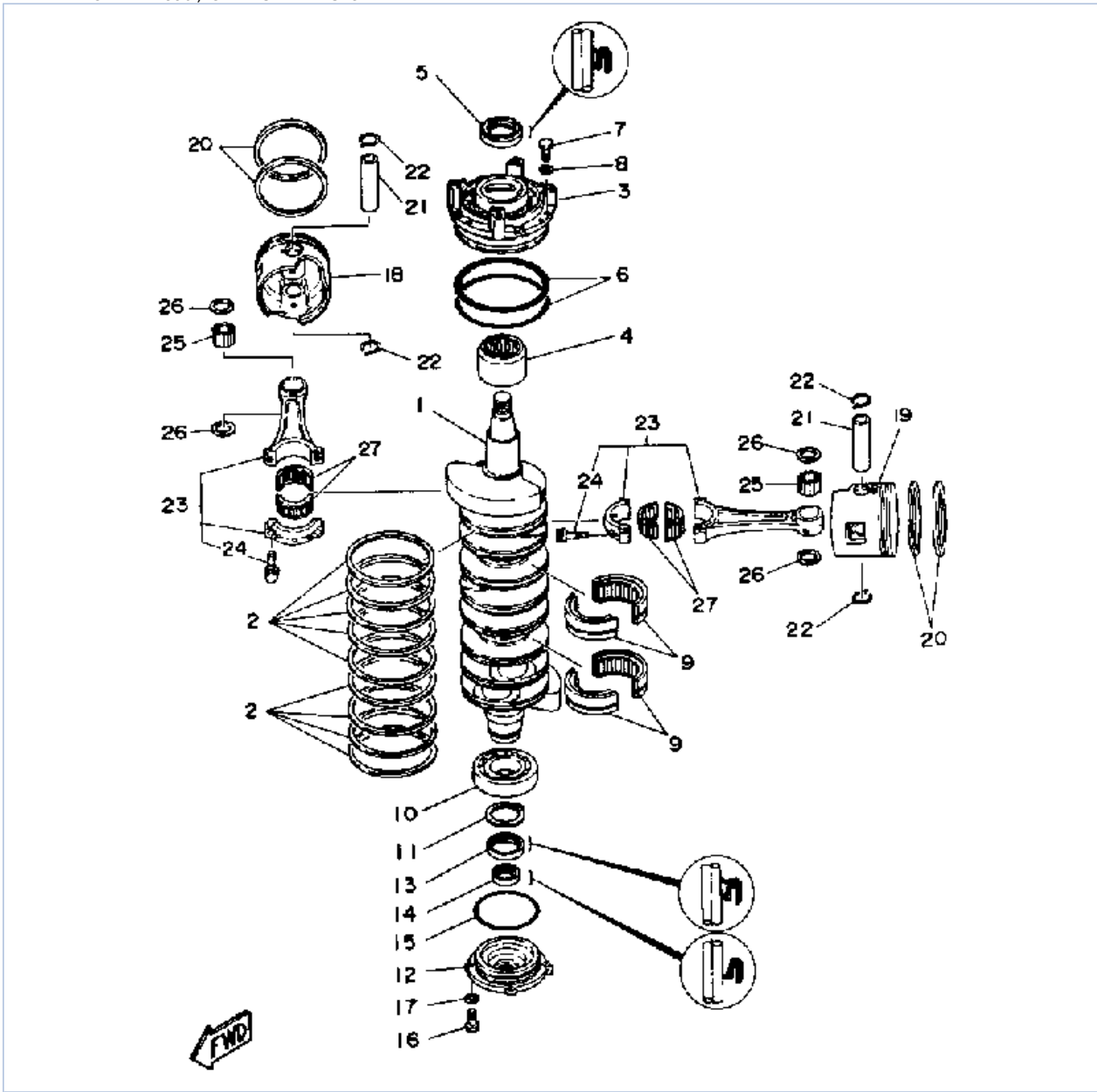
## Part Notes

175ETLDA 1990 / CYLINDER CRANKCASE

| PART NUMBER     |  | NOTE TEXT   |
|-----------------|--|---|
| 92990-06600-00  |   | OEM: This part number is among the Top 100 Most Popular Marine Maintenance Parts as of August 2013. |
| 92990-06600-00  |   | OEM: This part number is among the Top 100 Most Popular Marine Maintenance Parts as of August 2013. |
| 92990-06600-00  |   | OEM: This part number is among the Top 100 Most Popular Marine Maintenance Parts as of August 2013. |
| 688-12414-A1-00 |   | OEM: This part number is among the Top 100 Most Popular Marine Maintenance Parts as of August 2013. |
| 92990-06600-00  |   | OEM: This part number is among the Top 100 Most Popular Marine Maintenance Parts as of August 2013. |
| 92990-06600-00  |   | OEM: This part number is among the Top 100 Most Popular Marine Maintenance Parts as of August 2013. |
| 90480-20M05-00  |   | OEM: This part number is among the Top 100 Most Popular Marine Maintenance Parts as of August 2013. |
| 92990-06600-00  |  | OEM: This part number is among the Top 100 Most Popular Marine Maintenance Parts as of August 2013. |

©2013 Yamaha Motor Corporation, U.S.A. All rights reserved.

175ETLDA 1990 / CRANKSHAFT PISTON



©2013 Yamaha Motor Corporation, U.S.A. All rights reserved.



## Part List

175ETLDA 1990 / CRANKSHAFT PISTON

| REF<br>-<br>NO | PART<br>NUMBER  | PART NAME                    | QUANTITY | REMARKS |
|----------------|-----------------|------------------------------|----------|---------|
| 1              | 6R3-11411-00-00 | CRANKSHAFT                   | 1        |         |
| 2              | 6E5-11447-00-00 | SEAL, CRANK                  | 9        |         |
| 3              | 6R3-15163-00-94 | HOUSING, BEARING 1           | 1        |         |
| 4              | 93311-940U3-00  | BEARING                      | 1        |         |
| 5              | 93102-40M38-00  | OIL SEAL                     | 1        |         |
| 6              | 93211-04384-00  | .O-RING                      | 2        |         |
| 7              | 97313-06020-00  | BOLT, HEXAGON                | 3        |         |
| 8              | 92990-06600-00  | WASHER, PLATE                | 3        |         |
| 9              | 93310-954V3-00  | BEARING, CYLINDRICAL         | 2        |         |
| 10             | 93306-208U0-00  | BEARING                      | 1        |         |
| 11             | 93410-40M03-00  | CIRCLIP                      | 1        |         |
| 12             | 6G5-15359-00-94 | HOUSING, OIL SEAL            | 1        |         |
| 13             | 93102-35M13-00  | OIL SEAL                     | 1        |         |
| 14             | 93101-22M15-00  | .OIL SEAL                    | 1        |         |
| 15             | 93210-74M35-00  | .O-RING                      | 1        |         |
| 16             | 97395-06020-00  | BOLT, HEXAGON                | 4        |         |
| 17             | 92990-06600-00  | WASHER, PLATE                | 4        |         |
| 18             | 6R5-11631-01-93 | PISTON (STD)                 | 3        |         |
| 18             | 6R5-11636-01-00 | PISTON (0.50MM O/S)          | 3        | AP      |
| 19             | 6R5-11646-01-00 | PISTON (2ND O/S 0.50MM)      | 3        | AP      |
| 19             | 6R5-11642-01-93 | PISTON 2 (STD)               | 3        |         |
| 20             | 6R5-11603-00-00 | PISTON RING SET (STD)        | 6        |         |
| 20             | 6R5-11605-00-00 | PISTON RING SET (0.50MM O/S) | 6        | AP      |
| 21             | 6K7-11633-00-00 | PIN, PISTON                  | 6        |         |
| 22             | 6E5-11634-00-00 | CLIP, PISTON PIN             | 12       |         |
| 23             | 6E5-11650-01-00 | CONNECTING ROD ASSY          | 6        |         |
| 24             | 90109-08M61-00  | .BOLT                        | 2        |         |
| 25             | 93603-21111-00  | PIN, DOWEL                   | 80       |         |
| 26             | 90201-21M75-00  | WASHER, PLATE                | 12       |         |
| 27             | 93310-836V2-00  | BEARING                      | 6        |         |

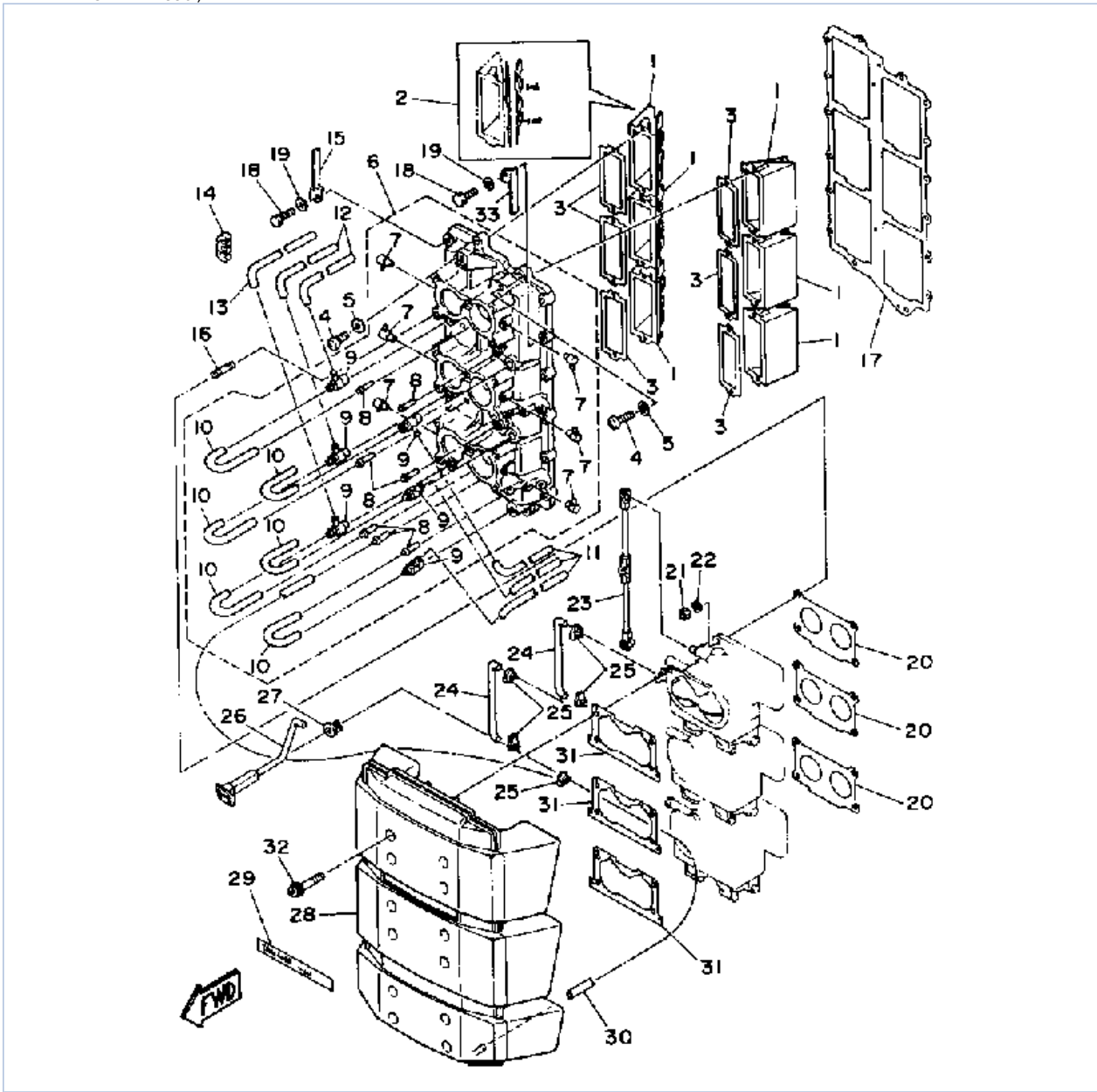
## Part Notes

175ETLDA 1990 / CRANKSHAFT PISTON

| PART NUMBER    |   | NOTE TEXT   |
|----------------|---|---|
| 92990-06600-00 |  | OEM: This part number is among the Top 100 Most Popular Marine Maintenance Parts as of August 2013. |
| 92990-06600-00 |  | OEM: This part number is among the Top 100 Most Popular Marine Maintenance Parts as of August 2013. |
| 93603-21111-00 |  | OEM: This part number is among the Top 100 Most Popular Marine Maintenance Parts as of August 2013. |

©2013 Yamaha Motor Corporation, U.S.A. All rights reserved.

175ETLDA 1990 / INTAKE



©2013 Yamaha Motor Corporation, U.S.A. All rights reserved.



## Part List

175ETLDA 1990 / INTAKE

| REF - NO | PART NUMBER     | PART NAME                 | QUANTITY | REMARKS    |
|----------|-----------------|---------------------------|----------|------------|
| 1        | 6E5-13610-00-00 | REED VALVE ASSY           | 6        | UR 175/200 |
| 1        | 6G5-13610-00-00 | REED VALVE ASSY           | 6        | UR 150     |
| 2        | 6E5-W0004-00-00 | .REED SET                 | 1        |            |
| 3        | 6E5-13621-00-00 | GASKET, VALVE SEAT        | 6        |            |
| 4        | 98580-05016-00  | SCREW, PAN HEAD           | 12       |            |
| 5        | 92990-05600-00  | WASHER, PLATE             | 12       |            |
| 6        | 6G5-13641-10-94 | MANIFOLD 1                | 1        |            |
| 7        | 6E5-13552-00-00 | .NOZZLE                   | 6        |            |
| 8        | 624-14485-00-00 | .PIPE, JOINT              | 7        |            |
| 9        | 6E5-11370-00-00 | .CHECK VALVE ASSY         | 6        |            |
| 10       | 90445-07M28-00  | .HOSE (L70)               | 6        |            |
| 11       | 90445-07M45-00  | HOSE (L340)               | 3        |            |
| 12       | 90445-07M46-00  | HOSE (L360)               | 2        |            |
| 13       | 90445-07M59-00  | HOSE (L410)               | 1        |            |
| 14       | 90464-07M05-00  | CLAMP                     | 2        |            |
| 15       | 90465-07M20-00  | CLAMP                     | 2        |            |
| 16       | 90116-06M30-00  | BOLT, STUD                | 12       |            |
| 17       | 6G5-13645-A1-00 | GASKET, MANIFOLD 1        | 1        |            |
| 18       | 97313-06025-00  | BOLT                      | 16       |            |
| 19       | 92990-06600-00  | WASHER, PLATE             | 16       |            |
| 20       | 6E5-14198-A1-00 | GASKET                    | 3        |            |
| 21       | 95380-06600-00  | NUT, HEXAGON              | 12       |            |
| 22       | 92995-06100-00  | WASHER, SPRING            | 12       |            |
| 23       | 6G5-41217-01-00 | ROD, ACCEL. LEVER         | 1        |            |
| 24       | 6E5-41256-01-00 | ROD, CHOKE 1              | 2        |            |
| 25       | 661-41262-02-00 | JOINT, CHOKE LEVER        | 5        |            |
| 26       | 6R3-41271-00-00 | KNOB, CHOKE               | 1        |            |
| 27       | 689-41273-00-00 | GROMMET                   | 1        |            |
| 28       | 6R3-14440-00-00 | SILENCER ASSEMBLY, INTAKE | 1        |            |
| 29       | 6G5-1441K-00-00 | EMBLEM                    | 1        |            |
| 30       | 90445-07M08-00  | HOSE (L220)               | 1        |            |
| 31       | 6K7-14483-00-00 | GASKET                    | 3        |            |
| 32       | 90159-06M14-00  | SCREW, WITH WASHER        | 12       |            |
| 33       | 90465-07M20-00  | CLAMP                     | 2        |            |

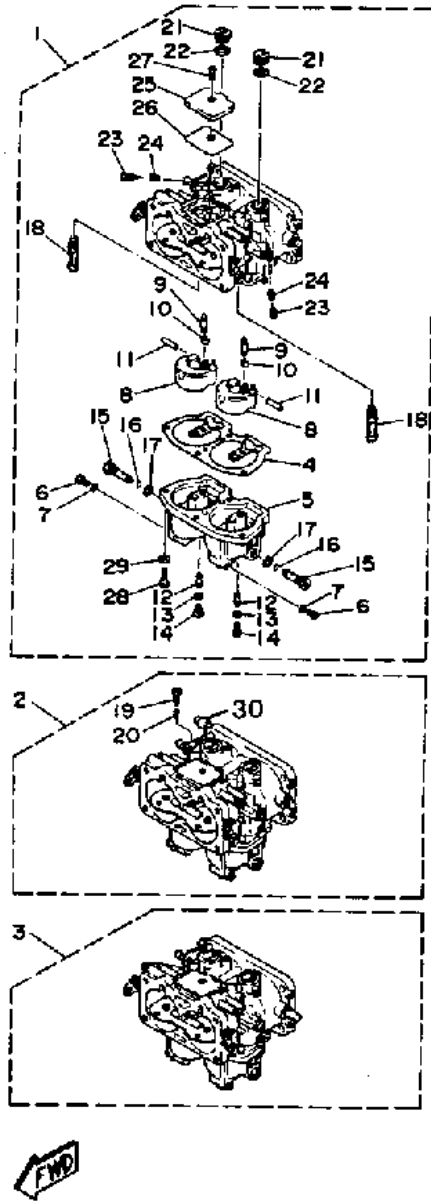
## Part Notes

175ETLDA 1990 / INTAKE

| PART NUMBER    |   | NOTE TEXT   |
|----------------|---|---|
| 92990-06600-00 |  | OEM: This part number is among the Top 100 Most Popular Marine Maintenance Parts as of August 2013. |
| 92995-06100-00 |  | OEM: This part number is among the Top 100 Most Popular Marine Maintenance Parts as of August 2013. |

©2013 Yamaha Motor Corporation, U.S.A. All rights reserved.

175ETLDA 1990 / CARBURETOR



©2013 Yamaha Motor Corporation, U.S.A. All rights reserved.

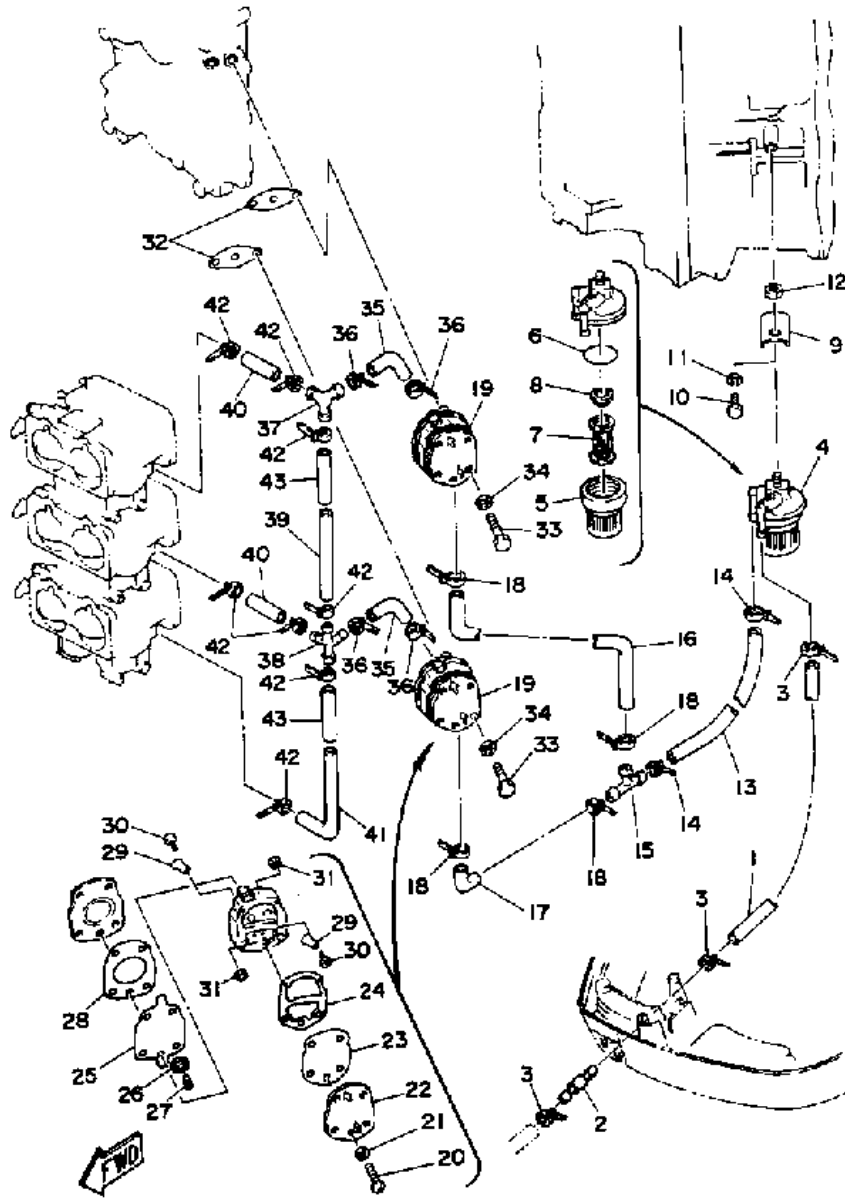


## Part List

175ETLDA 1990 / CARBURETOR

| REF<br>-<br>NO | PART<br>NUMBER  | PART NAME              | QUANTITY | REMARKS |
|----------------|-----------------|------------------------|----------|---------|
| 1              | 6R2-14301-01-00 | CARBURETOR ASSEMBLY 1  | 1        | 150     |
| 1              | 6R4-14301-01-00 | CARBURETOR ASSEMBLY 1  | 1        | 175/200 |
| 2              | 6R4-14302-01-00 | CARBURETOR ASSEMBLY 2  | 1        | 175/200 |
| 2              | 6R2-14302-01-00 | CARBURETOR ASSEMBLY 2  | 1        | 150     |
| 3              | 6R2-14303-01-00 | CARBURETOR ASSEMBLY 3  | 1        | 150     |
| 3              | 6R4-14303-01-00 | CARBURETOR ASSEMBLY 3  | 1        | 175/200 |
| 4              | 6E5-14384-03-00 | .GASKET, FLOAT CHAMBER | 3        |         |
| 5              | 6E5-14381-03-00 | .BODY, FLOAT CHAMBER   | 3        |         |
| 6              | 6E5-14383-01-00 | .SCREW, DRAIN          | 6        |         |
| 7              | 6J8-14995-00-00 | .GASKET                | 6        |         |
| 8              | 6E5-14385-02-00 | .FLOAT                 | 6        |         |
| 9              | 6E5-14546-00-00 | .VALVE, NEEDLE         | 6        |         |
| 10             | 6E5-14159-00-00 | .CLIP                  | 6        |         |
| 11             | 6E5-14386-02-00 | .PIN, FLOAT            | 6        |         |
| 12             | 6E5-1492F-42-00 | .JET, AIR SLOW (#84)   | 6        | 175/200 |
| 12             | 6E5-1492F-40-00 | .JET, AIR SLOW (#80)   | 6        | 150     |
| 13             | 6E5-14397-00-00 | .O-RING                | 6        |         |
| 14             | 6E5-14394-00-00 | .PLUG, SLOW JET        | 6        |         |
| 15             | 6E5-1492E-77-00 | .JET, MAIN (#154)      | 6        | 175/200 |
| 15             | 6E5-1492E-62-00 | .JET, MAIN (#124)      | 6        | 150     |
| 16             | 6E5-14997-00-00 | .O-RING                | 6        |         |
| 17             | 6E5-14398-01-00 | .GASKET                | 6        |         |
| 18             | 6G6-1492A-00-00 | .NOZZLE, MAIN          | 6        |         |
| 18             | 6G5-1492A-00-00 | .NOZZLE, MAIN          | 6        |         |
| 19             | 6E5-14321-00-00 | .SCREW, THROTTLE       | 1        |         |
| 20             | 6J8-14334-00-00 | .SPRING, THROTTLE      | 1        |         |
| 21             | 6E5-14328-01-00 | .PLUG                  | 6        |         |
| 22             | 6E5-14979-00-00 | .GASKET                | 6        |         |
| 23             | 6E5-14323-03-00 | .SCREW, AIR ADJUSTING  | 6        |         |
| 24             | 6E5-14223-00-00 | .SPRING, AIR ADJUSTING | 6        |         |
| 25             | 6E5-14527-00-00 | .PLATE                 | 3        |         |
| 26             | 6E5-14959-01-00 | .GASKET                | 3        |         |
| 27             | 98701-05008-00  | .SCREW, FLAT HEAD      | 3        |         |
| 28             | 98580-05016-00  | .SCREW, PAN HEAD       | 12       |         |
| 29             | 92990-05100-00  | .WASHER, SPRING        | 12       |         |

175ETLDA 1990 / FUEL SYSTEM 1



©2013 Yamaha Motor Corporation, U.S.A. All rights reserved.




## Part List

175ETLDA 1990 / FUEL SYSTEM 1

| REF - NO | PART NUMBER     | PART NAME           | QUANTITY | REMARKS |
|----------|-----------------|---------------------|----------|---------|
| 1        | 6R3-24313-00-00 | PIPE 3              | 1        |         |
| 2        | 6R3-24377-00-00 | PIPE, JOINT 2       | 1        |         |
| 3        | 90465-11M10-00  | CLAMP               | 3        |         |
| 4        | 6E5-24560-00-00 | FILTER ASSY         | 1        |         |
| 5        | 655-24521-01-00 | .CUP, FILTER        | 1        |         |
| 6        | 93210-37M25-00  | .O-RING             | 1        |         |
| 7        | 6F5-24563-00-00 | .ELEMENT, FILTER    | 1        |         |
| 8        | 655-24564-00-00 | .GASKET             | 1        |         |
| 9        | 648-24566-01-00 | BRACKET, FILTER     | 1        |         |
| 10       | 97313-06014-00  | BOLT, HEXAGON       | 1        |         |
| 11       | 92995-06100-00  | WASHER, SPRING      | 1        |         |
| 12       | 95380-08600-00  | NUT                 | 1        |         |
| 13       | 6G5-24314-00-00 | PIPE 4              | 1        |         |
| 14       | 90465-11M10-00  | CLAMP               | 2        |         |
| 15       | 6E5-24378-00-00 | PIPE, JOINT 3       | 1        |         |
| 16       | 6G5-24315-00-00 | PIPE 5              | 1        |         |
| 17       | 6E5-24315-00-00 | PIPE 5              | 1        |         |
| 18       | 90465-11M10-00  | CLAMP               | 4        |         |
| 19       | 6E5-24410-03-00 | FUEL PUMP ASSY      | 2        |         |
| 20       | 98580-05035-00  | .SCREW, PAN HEAD    | 3        |         |
| 21       | 92990-05600-00  | .WASHER, PLATE      | 3        |         |
| 22       | 6E5-24413-00-00 | .BODY 2             | 1        |         |
| 23       | 6E5-24471-00-00 | .DIAPHRAGM          | 1        |         |
| 24       | 6E5-24435-00-00 | .GASKET, BODY 2     | 1        |         |
| 25       | 6E5-24411-00-00 | .DIAPHRAGM          | 1        |         |
| 26       | 648-24424-00-00 | .SEAT, SPRING       | 1        |         |
| 27       | 6E5-24423-00-00 | .SPRING, DIAPHRAGM  | 1        |         |
| 28       | 6E5-24434-02-00 | .GASKET, BODY       | 1        |         |
| 29       | 6A0-24421-01-00 | .VALVE, CHECK       | 4        |         |
| 30       | 6A0-14325-00-00 | .SCREW, PAN HEAD    | 4        |         |
| 31       | 95380-03600-00  | .NUT                | 4        |         |
| 32       | 650-24431-A0-00 | GASKET, FUEL PUMP 1 | 2        |         |
| 33       | 97395-06050-00  | BOLT                | 4        |         |
| 34       | 92990-06600-00  | WASHER, PLATE       | 4        |         |
| 35       | 6G5-24316-10-00 | PIPE 6              | 2        |         |
| 36       | 90465-11M10-00  | CLAMP               | 4        |         |
| 37       | 6G5-24376-00-00 | PIPE, JOINT 1       | 1        |         |
| 38       | 6G5-24377-00-00 | PIPE, JOINT 2       | 1        |         |
| 39       | 6G5-24317-01-00 | PIPE 7              | 1        |         |
| 40       | 6G5-24318-10-00 | PIPE, OVERFLOW      | 2        |         |
| 41       | 6G5-24319-10-00 | PIPE, OIL           | 1        |         |
| 42       | 90465-11M10-00  | CLAMP               | 8        |         |
| 43       | 90446-15M07-00  | HOSE (L60)          | 2        |         |

## Part Notes

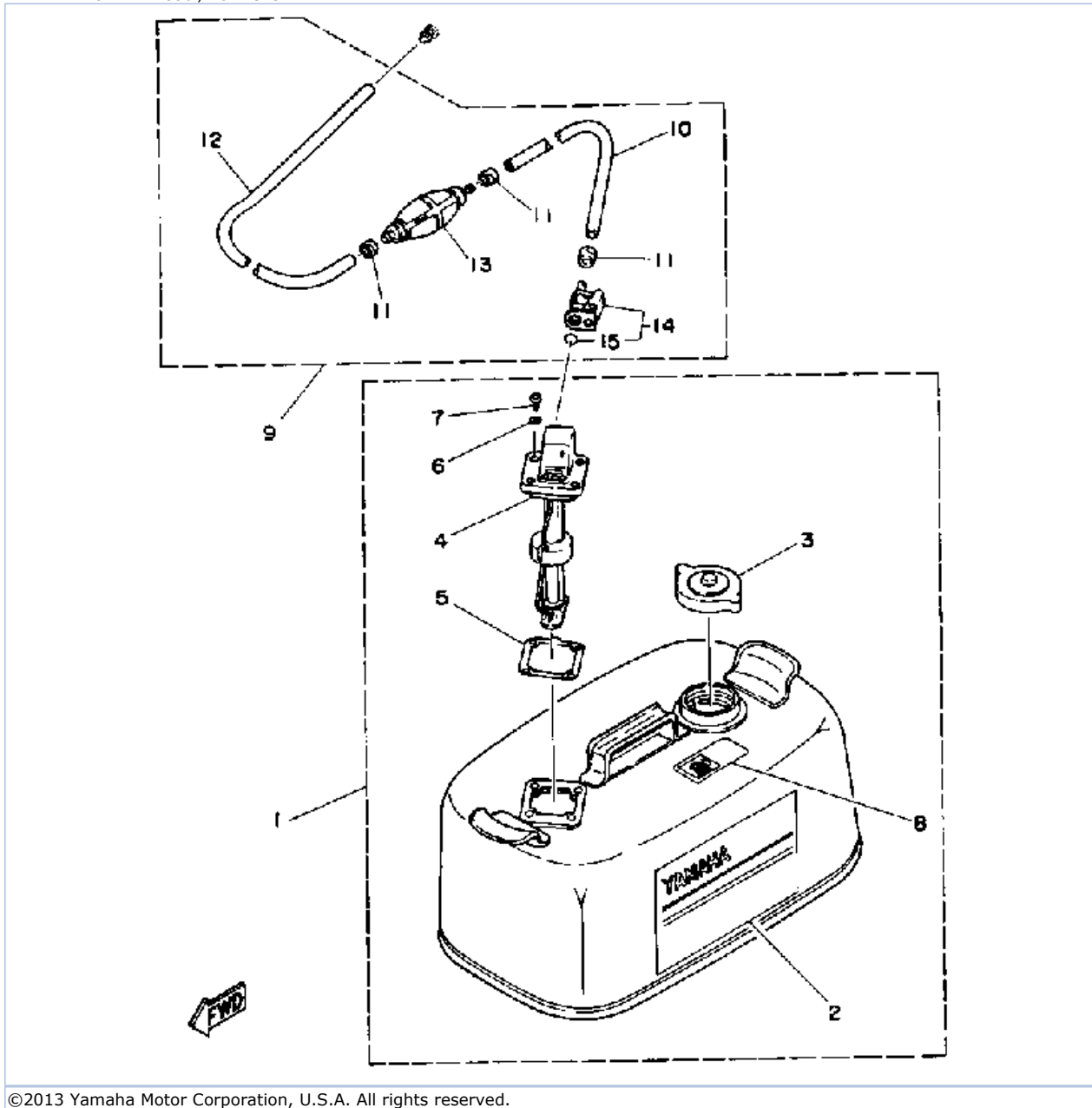
175ETLDA 1990 / FUEL SYSTEM 1

| PART NUMBER     |   | NOTE TEXT   |
|-----------------|---|---|
| 92995-06100-00  |  | OEM: This part number is among the Top 100 Most Popular Marine Maintenance Parts as of August 2013. |
| 6E5-24410-03-00 |  | OEM: This part number is among the Top 100 Most Popular Marine Maintenance Parts as of August 2013. |
| 650-24431-A0-00 |  | OEM: This part number is among the Top 100 Most Popular Marine Maintenance Parts as of August 2013. |
| 92990-06600-00  |   | OEM: This part number is among the Top 100 Most Popular Marine Maintenance Parts as of August 2013. |



©2013 Yamaha Motor Corporation, U.S.A. All rights reserved.

175ETLDA 1990 / FUEL SYSTEM 2



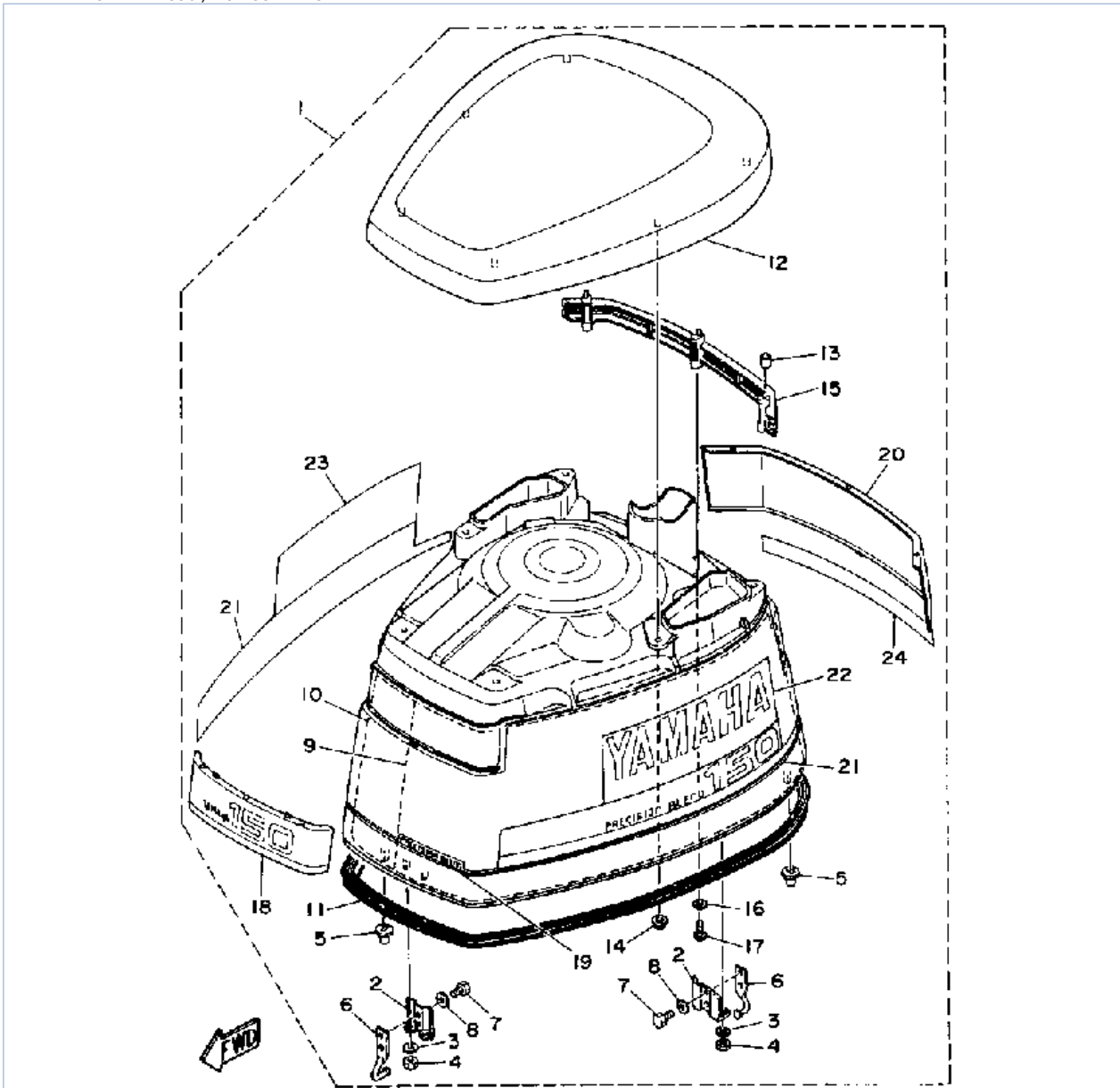
©2013 Yamaha Motor Corporation, U.S.A. All rights reserved.

## Part List

175ETLDA 1990 / FUEL SYSTEM 2

| REF<br>-<br>NO | PART<br>NUMBER  | PART NAME               | QUANTITY | REMARKS |
|----------------|-----------------|-------------------------|----------|---------|
| 1              | 6Y1-W2420-42-24 | FUEL TANK ASSEMBLY      | 1        |         |
| 2              | 6Y1-24244-20-00 | .GRAPHIC, SIDE          | 1        |         |
| 3              | 6Y1-24610-00-00 | .CAP ASSEMBLY           | 1        |         |
| 4              | 6Y1-24260-02-00 | .FUEL METER ASSEMBLY    | 1        |         |
| 5              | 6Y1-24268-00-00 | .GASKET, FUEL METER     | 1        |         |
| 6              | 6Y1-24329-00-00 | .SEAL                   | 4        |         |
| 7              | 98586-05016-00  | .SCREW, PAN HEAD        | 4        |         |
| 8              | 6Y1-24256-50-00 | .GRAPHIC, FUEL TANK     | 1        |         |
| 9              | 6Y2-24306-40-00 | FUEL PIPE COMP. 1       | 1        |         |
| 10             | 90445-13M01-00  | .HOSE (L2050)           | 1        |         |
| 11             | 6E5-24351-51-00 | .BAND 1                 | 3        |         |
| 12             | 90445-13M35-00  | .HOSE (L250)            | 1        |         |
| 13             | 6Y2-24360-51-00 | .PRIMER PUMP ASSY       | 1        |         |
| 14             | 6Y2-24305-02-00 | .FUEL PIPE JOINT COMP 2 | 1        |         |
| 15             | 93210-08287-00  | ..O-RING                | 1        |         |

175ETLDA 1990 / TOP COWLING



©2013 Yamaha Motor Corporation, U.S.A. All rights reserved.



## Part List

175ETLDA 1990 / TOP COWLING

| REF - NO | PART NUMBER     | PART NAME            | QUANTITY | REMARKS |
|----------|-----------------|----------------------|----------|---------|
| 1        | 6R2-42610-40-EK | TOP COWLING ASSEMBLY | 1        | 150     |
| 1        | 6R3-42610-40-EK | TOP COWLING ASSEMBLY | 1        | 175     |
| 1        | 6R4-42610-70-EK | TOP COWLING ASSEMBLY | 1        | 200     |
| 2        | 6R3-42647-00-00 | .HOLDER, CLAMP BAND  | 2        |         |
| 3        | 92995-06100-00  | .WASHER, SPRING      | 4        |         |
| 4        | 95380-06600-00  | .NUT, HEXAGON        | 4        |         |
| 5        | 6R3-42662-00-00 | .DAMPER              | 3        |         |
| 6        | 6R3-42814-00-00 | .HOOK, CLAMP         | 2        |         |
| 7        | 97395-06012-00  | .BOLT                | 4        |         |
| 8        | 92990-06600-00  | .WASHER, PLATE       | 4        |         |
| 9        | 6R3-42619-00-00 | .DAMPER, FORM        | 1        |         |
| 10       | 6R3-42627-00-00 | .DAMPER, FORM        | 1        |         |
| 11       | 6R3-42615-01-00 | .SEAL                | 1        |         |
| 12       | 6R3-42613-00-EK | .MOLDING, AIR DUCT   | 1        |         |
| 13       | 90385-04M05-00  | .BUSH                | 3        |         |
| 14       | 90179-06M24-00  | .NUT                 | 6        |         |
| 15       | 6R3-42636-00-00 | .LOUVER 2            | 1        |         |
| 16       | 92990-04600-00  | .WASHER, PLATE       | 3        |         |
| 17       | 97780-40120-00  | .SCREW, TAPPING      | 3        |         |
| 18       | 6R3-42686-00-00 | .EMBLEM, FRONT       | 1        | 175     |
| 18       | 6R4-42686-00-00 | .EMBLEM, FRONT       | 1        | 200     |
| 18       | 6R2-42686-00-00 | .EMBLEM, FRONT       | 1        | 150     |
| 19       | 6R3-42677-40-00 | .GRAPHIC, FRONT      | 1        |         |
| 20       | 6R2-42687-00-00 | .EMBLEM, REAR        | 1        | 150     |
| 20       | 6R4-42687-00-00 | .EMBLEM, REAR        | 1        | 200     |
| 20       | 6R3-42687-00-00 | .EMBLEM, REAR        | 1        | 175     |
| 21       | 6R4-W0070-40-00 | .GRAPHIC SET         | 1        | 200     |
| 21       | 6R2-W0070-40-00 | .GRAPHIC SET         | 1        | 150     |
| 21       | 6R3-W0070-40-00 | .GRAPHIC SET         | 1        | 175     |
| 22       | 6R3-42681-40-00 | .MARK, COWLING 1     | 1        |         |
| 23       | 6R3-42682-40-00 | .MARK, COWLING 2     | 1        |         |
| 24       | 6R3-42678-40-00 | .GRAPHIC, REAR       | 1        |         |

## Part Notes

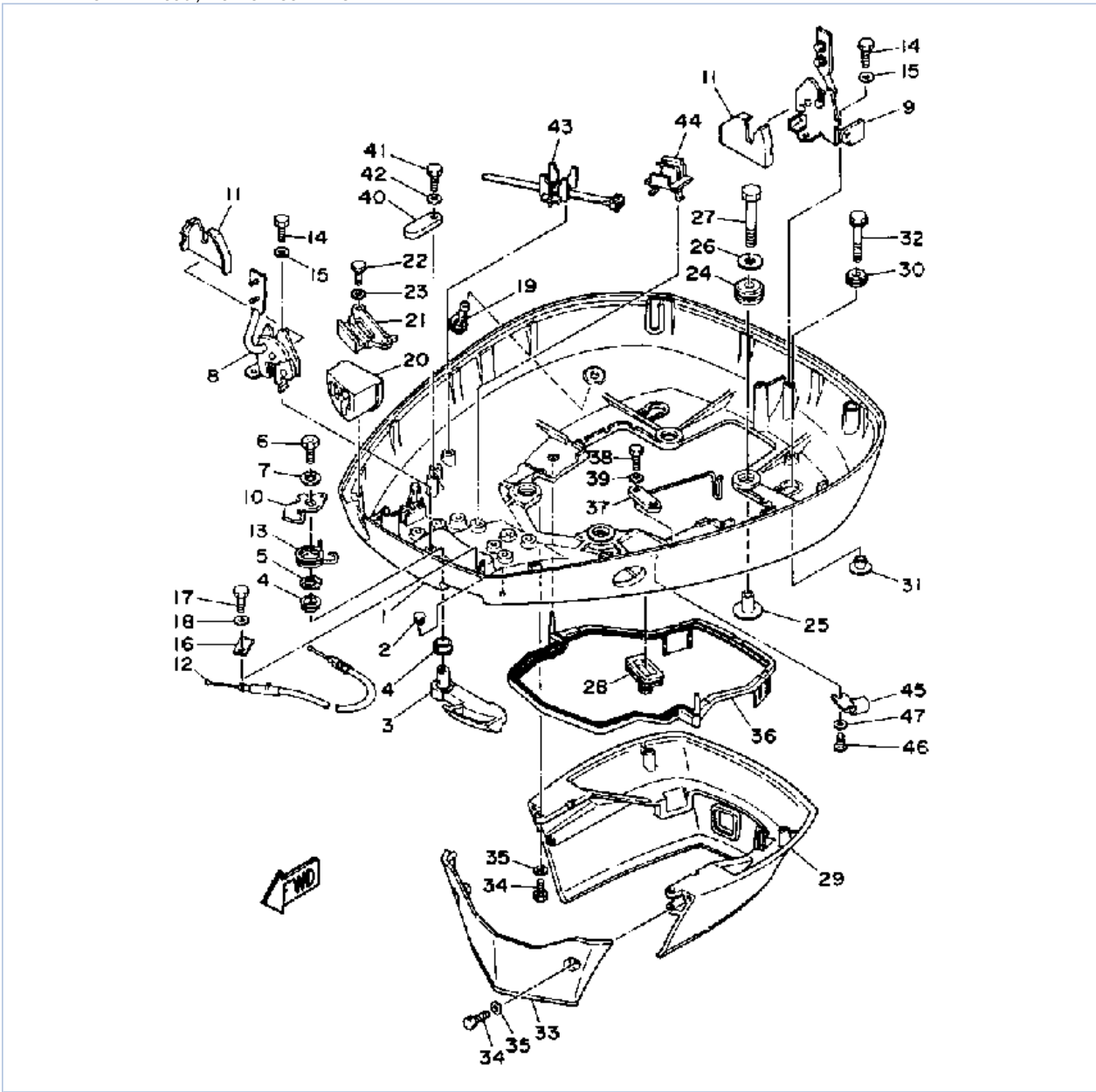
175ETLDA 1990 / TOP COWLING

| PART NUMBER  | NOTE TEXT   |
|--|---|
| 92995-06100-00  | OEM: This part number is among the Top 100 Most Popular Marine Maintenance Parts as of August 2013. |
| 92990-06600-00  | OEM: This part number is among the Top 100 Most Popular Marine Maintenance Parts as of August 2013. |

©2013 Yamaha Motor Corporation, U.S.A. All rights reserved.



175ETLDA 1990 / BOTTOM COWLING



©2013 Yamaha Motor Corporation, U.S.A. All rights reserved.


## Part List







175ETLDA 1990 / BOTTOM COWLING

| REF - NO | PART NUMBER     | PART NAME           | QUANTITY | REMARKS |
|----------|-----------------|---------------------|----------|---------|
| 1        | 6R3-42711-40-EK | BOTTOM COWLING      | 1        |         |
| 2        | 6H4-42748-00-00 | GROMMET             | 1        |         |
| 3        | 6R3-42815-00-EK | LEVER, CLAMP 1      | 1        |         |
| 4        | 90386-13M88-00  | BUSH                | 2        |         |
| 5        | 90206-13M10-00  | WASHER, WAVE        | 1        |         |
| 6        | 90109-08M45-00  | BOLT                | 1        |         |
| 7        | 92990-08200-00  | WASHER, PLAIN       | 1        |         |
| 8        | 6R3-42824-00-00 | BASE, CLAMP LEVER   | 1        |         |
| 9        | 6R3-42811-00-00 | STAY                | 1        |         |
| 10       | 6R3-42816-00-00 | LEVER, CLAMP        | 1        |         |
| 11       | 6R3-42851-00-00 | COVER, CLAMP        | 2        |         |
| 12       | 6R3-42850-00-00 | WIRE, COMPLETE      | 1        |         |
| 13       | 6R3-42813-00-00 | SPRING, CLAMP LEVER | 1        |         |
| 14       | 97395-06016-00  | BOLT                | 4        |         |
| 15       | 92990-06600-00  | WASHER, PLATE       | 4        |         |
| 16       | 6R3-42828-00-00 | PLATE, CLAMP        | 1        |         |
| 17       | 97395-06010-00  | BOLT                | 1        |         |
| 18       | 92990-06600-00  | WASHER, PLATE       | 1        |         |
| 19       | 6E5-44391-00-00 | NIPPLE, HOSE        | 1        |         |
| 20       | 6R3-42725-10-00 | GROMMET 2           | 1        |         |
| 21       | 6R3-42738-01-5B | PLATE, FITTING      | 1        |         |
| 22       | 97395-06016-00  | BOLT                | 2        |         |
| 23       | 92990-06600-00  | WASHER, PLATE       | 2        |         |
| 24       | 90480-22M15-00  | GROMMET             | 4        |         |
| 25       | 90387-08M37-00  | COLLAR              | 4        |         |
| 26       | 90201-08M54-00  | WASHER, PLATE       | 4        |         |
| 27       | 97090-08035-00  | BOLT                | 4        |         |
| 28       | 688-42726-10-00 | GROMMET             | 1        |         |
| 29       | 6R3-42741-00-EK | APRON 1             | 1        |         |
| 30       | 90480-14M45-00  | GROMMET             | 2        |         |
| 31       | 90387-06M52-00  | COLLAR              | 2        |         |
| 32       | 90119-06M64-00  | BOLT, W/WASHER      | 2        |         |
| 33       | 6R3-42771-00-EK | APRON 2             | 1        |         |
| 34       | 97395-06020-00  | BOLT, HEXAGON       | 4        |         |
| 35       | 92990-06600-00  | WASHER, PLATE       | 4        |         |
| 36       | 6E5-42716-00-00 | RUBBER, SEAL 1      | 1        |         |
| 37       | 6K7-82588-00-00 | PLATE               | 1        |         |
| 38       | 97395-06020-00  | BOLT, HEXAGON       | 1        |         |
| 39       | 92990-06600-00  | WASHER, PLATE       | 1        |         |
| 40       | 6E5-82588-00-00 | PLATE               | 1        |         |
| 41       | 97395-06020-00  | BOLT, HEXAGON       | 1        |         |
| 42       | 92990-06600-00  | WASHER, PLATE       | 1        |         |
| 43       | 688-82594-00-00 | CLAMP               | 1        |         |
| 44       | 6E5-82594-00-00 | CLAMP               | 4        |         |
| 45       | 6E5-24367-10-00 | CLAMP, FUEL PIPE 2  | 1        |         |
| 46       | 90157-06M01-00  | SCREW, PAN HEAD     | 1        |         |
| 47       | 92990-06600-00  | WASHER, PLATE       | 1        |         |

## Part Notes

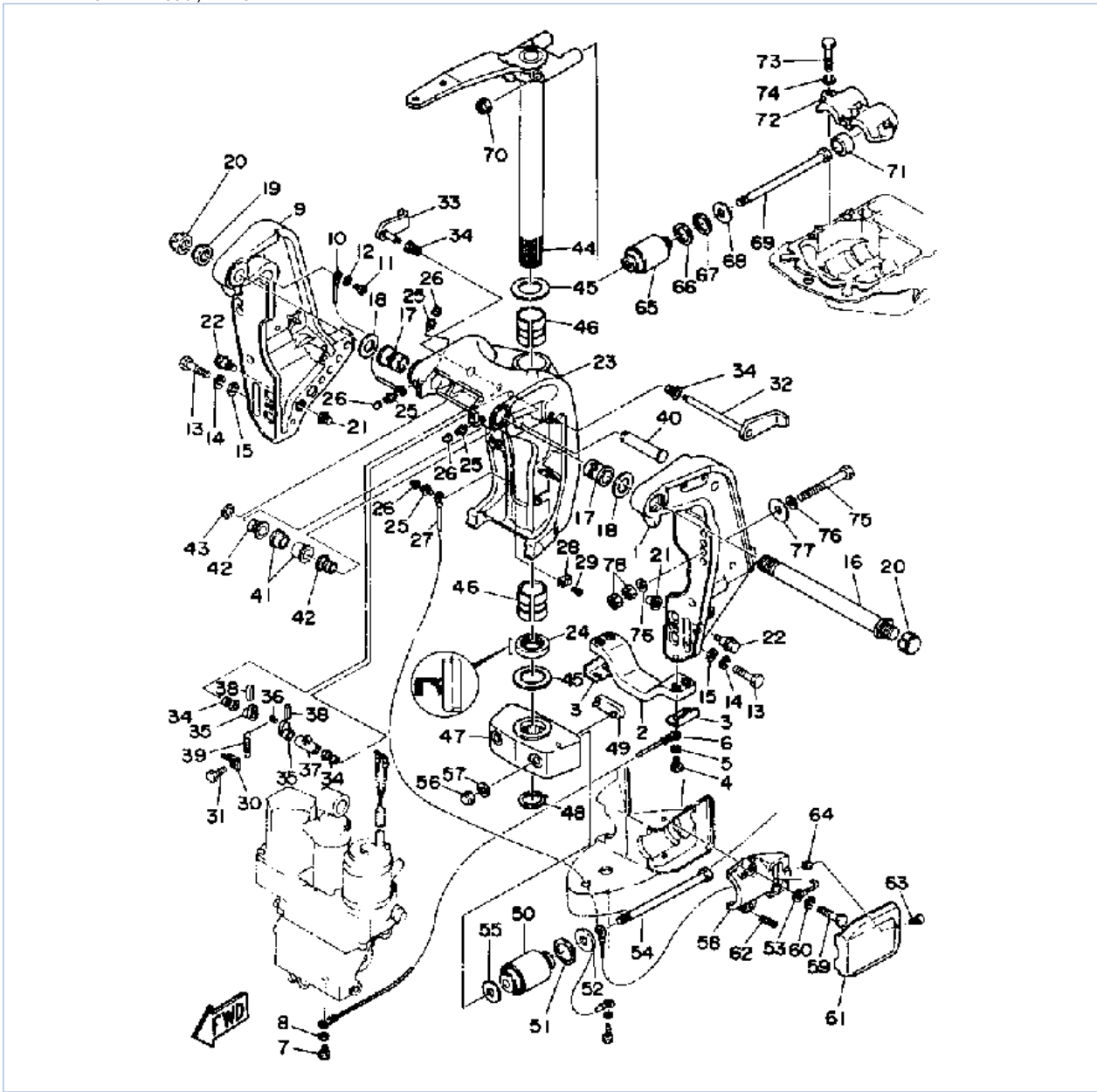
175ETLDA 1990 / BOTTOM COWLING

| PART NUMBER  | NOTE TEXT   |
|--|---|
| 92990-06600-00  | OEM: This part number is among the Top 100 Most Popular Marine Maintenance Parts as of August 2013. |

|                |   |   |
|----------------|---|---|
| 92990-06600-00 |  | OEM: This part number is among the Top 100 Most Popular Marine Maintenance Parts as of August 2013. |
| 92990-06600-00 |  | OEM: This part number is among the Top 100 Most Popular Marine Maintenance Parts as of August 2013. |
| 92990-06600-00 |  | OEM: This part number is among the Top 100 Most Popular Marine Maintenance Parts as of August 2013. |
| 92990-06600-00 |  | OEM: This part number is among the Top 100 Most Popular Marine Maintenance Parts as of August 2013. |
| 92990-06600-00 |  | OEM: This part number is among the Top 100 Most Popular Marine Maintenance Parts as of August 2013. |
| 92990-06600-00 |  | OEM: This part number is among the Top 100 Most Popular Marine Maintenance Parts as of August 2013. |

©2013 Yamaha Motor Corporation, U.S.A. All rights reserved.

175ETLDA 1990 / BRACKET 1



©2013 Yamaha Motor Corporation, U.S.A. All rights reserved.

## Part List






175ETLDA 1990 / BRACKET 1

| REF<br>-<br>NO | PART<br>NUMBER  | PART NAME                     | QUANTITY | REMARKS       |
|----------------|-----------------|-------------------------------|----------|---------------|
| 1              | 6G5-43111-01-EK | BRACKET CLAMP                 | 1        |               |
| 2              | 6G5-45251-01-00 | ANODE                         | 1        |               |
| 3              | 6G5-44526-00-00 | PLATE                         | 2        |               |
| 4              | 97395-06030-00  | BOLT                          | 4        |               |
| 5              | 92995-06100-00  | WASHER, SPRING                | 4        |               |
| 6              | 6E5-82148-00-00 | WIRE, LEAD 4                  | 1        |               |
| 7              | 97395-06010-00  | BOLT                          | 1        |               |
| 8              | 92990-06600-00  | WASHER, PLATE                 | 1        |               |
| 9              | 6G5-43112-01-EK | BRACKET, CLAMP                | 1        |               |
| 10             | 6E5-82148-00-00 | WIRE, LEAD 4                  | 1        |               |
| 11             | 98580-06012-00  | SCREW, PAN HEAD               | 1        |               |
| 12             | 92990-06600-00  | WASHER, PLATE                 | 1        |               |
| 13             | 97395-10050-00  | BOLT                          | 6        |               |
| 14             | 92990-10100-00  | WASHER, SPRING                | 6        |               |
| 15             | 92990-10600-00  | WASHER, PLATE                 | 6        |               |
| 16             | 6E5-43131-01-00 | BOLT, CLAMP BRACKET           | 1        |               |
| 17             | 90386-25M31-00  | BUSH                          | 2        |               |
| 18             | 90201-26M59-00  | WASHER, PLATE                 | 2        |               |
| 19             | 90185-22043-00  | NUT, SELF-LOCKING             | 1        |               |
| 20             | 6G5-43145-00-00 | CAP, CLAMP BRACKET            | 2        |               |
| 21             | 6G5-43164-00-00 | ROD, TILT LOCK                | 2        |               |
| 22             | 90109-12M35-00  | BOLT                          | 2        |               |
| 23             | 6G5-43311-00-EK | BRACKET, SWIVEL               | 1        | UR LONG       |
| 23             | 6G5-43311-20-EK | BRACKET, SWIVEL               | 1        | UR ULTRA LONG |
| 24             | 93109-38M02-00  | OIL SEAL                      | 1        |               |
| 25             | 93700-06M03-00  | NIPPLE, GREASE                | 5        |               |
| 26             | 663-45119-00-00 | CAP, GREASE NIPPLE            | 5        |               |
| 27             | 6E5-82147-00-00 | WIRE, LEAD 5                  | 1        | UR LONG       |
| 27             | 6E5-82147-20-00 | WIRE, LEAD 5                  | 1        | UR ULTRA LONG |
| 28             | 90464-11M18-00  | CLAMP                         | 1        |               |
| 29             | 98580-04008-00  | .SCREW, PAN HEAD              | 1        |               |
| 30             | 6G5-43144-00-00 | HOOK, SPRING                  | 1        |               |
| 31             | 97395-06010-00  | BOLT                          | 1        |               |
| 32             | 6G5-43181-02-00 | LEVER, TILT STOP 1            | 1        |               |
| 33             | 6G5-43185-02-00 | LEVER, TILT STOP 2            | 1        |               |
| 34             | 90386-10M16-00  | BUSH                          | 4        |               |
| 35             | 6G5-43148-00-00 | COLLAR, DISTANCE              | 2        |               |
| 36             | 90249-06M19-00  | PIN                           | 1        |               |
| 37             | 90387-10M02-00  | COLLAR                        | 1        |               |
| 38             | 91690-30020-00  | PIN, SPRING                   | 2        |               |
| 39             | 90506-14M24-00  | SPRING, TENSION               | 1        |               |
| 40             | 6E5-43126-02-00 | PIN, UPPER SHOCK MOUNT        | 1        |               |
| 41             | 90386-18M63-00  | BUSH                          | 2        |               |
| 42             | 90386-18M14-00  | BUSH                          | 2        |               |
| 43             | 93410-18M02-00  | CIRCLIP                       | 1        |               |
| 44             | 6E5-42510-03-EK | STEERING BRACKET ASSY         | 1        | UR LONG       |
| 44             | 6E5-42510-23-EK | STEERING BRACKET ASSY         | 1        | UR ULTRA LONG |
| 45             | 90201-38M60-00  | WASHER, PLATE                 | 2        |               |
| 46             | 90386-38M32-00  | BUSH                          | 2        |               |
| 47             | 6G5-44551-00-EK | HOUSING, LOWER MOUNT          | 1        |               |
| 48             | 93410-37M04-00  | CIRCLIP                       | 1        |               |
| 49             | 6E5-44575-00-00 | DAMPER, LOWER MOUNT<br>RUBBER | 1        |               |
| 50             | 6G5-44555-00-94 | MOUNT DAMPER, LOWER           | 2        |               |

|    |                 | SIDE                           |   |    |
|----|-----------------|--------------------------------|---|----|
| 51 | 90202-32M19-00  | WASHER, PLATE                  | 2 |    |
| 52 | 90201-16M55-00  | WASHER, PLATE                  | 2 |    |
| 53 | 6E5-82149-00-00 | WIRE, LEAD 3                   | 1 |    |
| 54 | 90109-14M34-00  | BOLT                           | 2 |    |
| 55 | 90201-15M58-00  | WASHER, PLATE                  | 2 |    |
| 56 | 95380-14800-00  | NUT                            | 2 |    |
| 57 | 92990-14600-00  | WASHER                         | 2 |    |
| 58 | 6E5-44552-00-94 | HOUSING, LOWER MOUNT<br>RUBBER | 2 |    |
| 59 | 97395-10045-00  | BOLT                           | 4 |    |
| 60 | 92990-10100-00  | WASHER, SPRING                 | 4 |    |
| 61 | 6E5-44553-00-EK | COVER, LOWER MOUNT             | 2 |    |
| 62 | 90501-16M28-00  | SPRING, COMPRESSION            | 4 |    |
| 63 | 98580-06016-00  | SCREW, PAN HEAD                | 2 |    |
| 64 | 90179-06066-00  | NUT                            | 2 |    |
| 65 | 6G5-44514-00-94 | MOUNT DAMPER, UPPER<br>SIDE    | 2 |    |
| 66 | 90201-26M57-00  | WASHER, PLATE                  | 2 |    |
| 67 | 90202-26M18-00  | WASHER, PLATE                  | 2 |    |
| 68 | 90201-14M56-00  | WASHER, PLATE                  | 2 |    |
| 69 | 90109-12M37-00  | BOLT                           | 2 |    |
| 70 | 90185-12058-00  | NUT, SELF-LOCKING              | 2 |    |
| 71 | 663-44575-00-00 | DAMPER, LOWER MOUNT<br>RUBBER  | 2 |    |
| 72 | 6E5-44511-00-5B | COVER, UPPER MOUNT             | 1 |    |
| 73 | 97395-10045-00  | BOLT                           | 3 |    |
| 74 | 92990-10100-00  | WASHER, SPRING                 | 3 |    |
| 75 | 90101-12M03-00  | BOLT (L:115MM)                 | 4 | UR |
| 75 | 90101-12M05-00  | BOLT (L:130MM)                 | 4 | UR |
| 76 | 90201-13M01-00  | WASHER, PLATE                  | 8 |    |
| 77 | 90201-12426-00  | WASHER, PLATE                  | 4 |    |
| 78 | 95380-12600-00  | NUT                            | 8 |    |

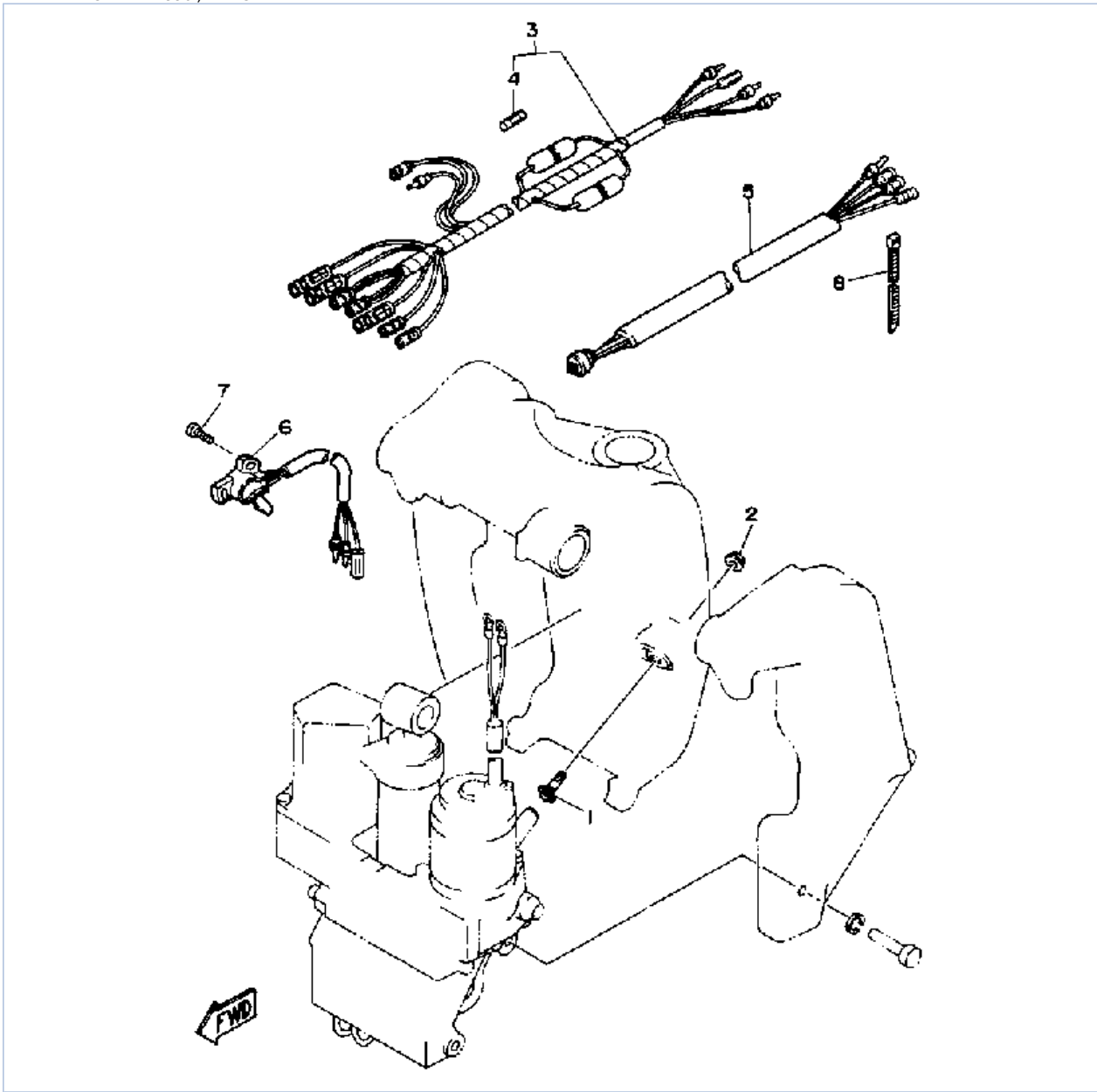
## Part Notes

175ETLDA 1990 / BRACKET 1

| PART NUMBER    |   | NOTE TEXT   |
|----------------|---|---|
| 92995-06100-00 |  | OEM: This part number is among the Top 100 Most Popular Marine Maintenance Parts as of August 2013. |
| 92990-06600-00 |  | OEM: This part number is among the Top 100 Most Popular Marine Maintenance Parts as of August 2013. |
| 92990-06600-00 |  | OEM: This part number is among the Top 100 Most Popular Marine Maintenance Parts as of August 2013. |
| 92990-10600-00 |  | OEM: This part number is among the Top 100 Most Popular Marine Maintenance Parts as of August 2013. |
| 93700-06M03-00 |  | OEM: This part number is among the Top 100 Most Popular Marine Maintenance Parts as of August 2013. |

©2013 Yamaha Motor Corporation, U.S.A. All rights reserved.

175ETLDA 1990 / BRACKET 2



©2013 Yamaha Motor Corporation, U.S.A. All rights reserved.

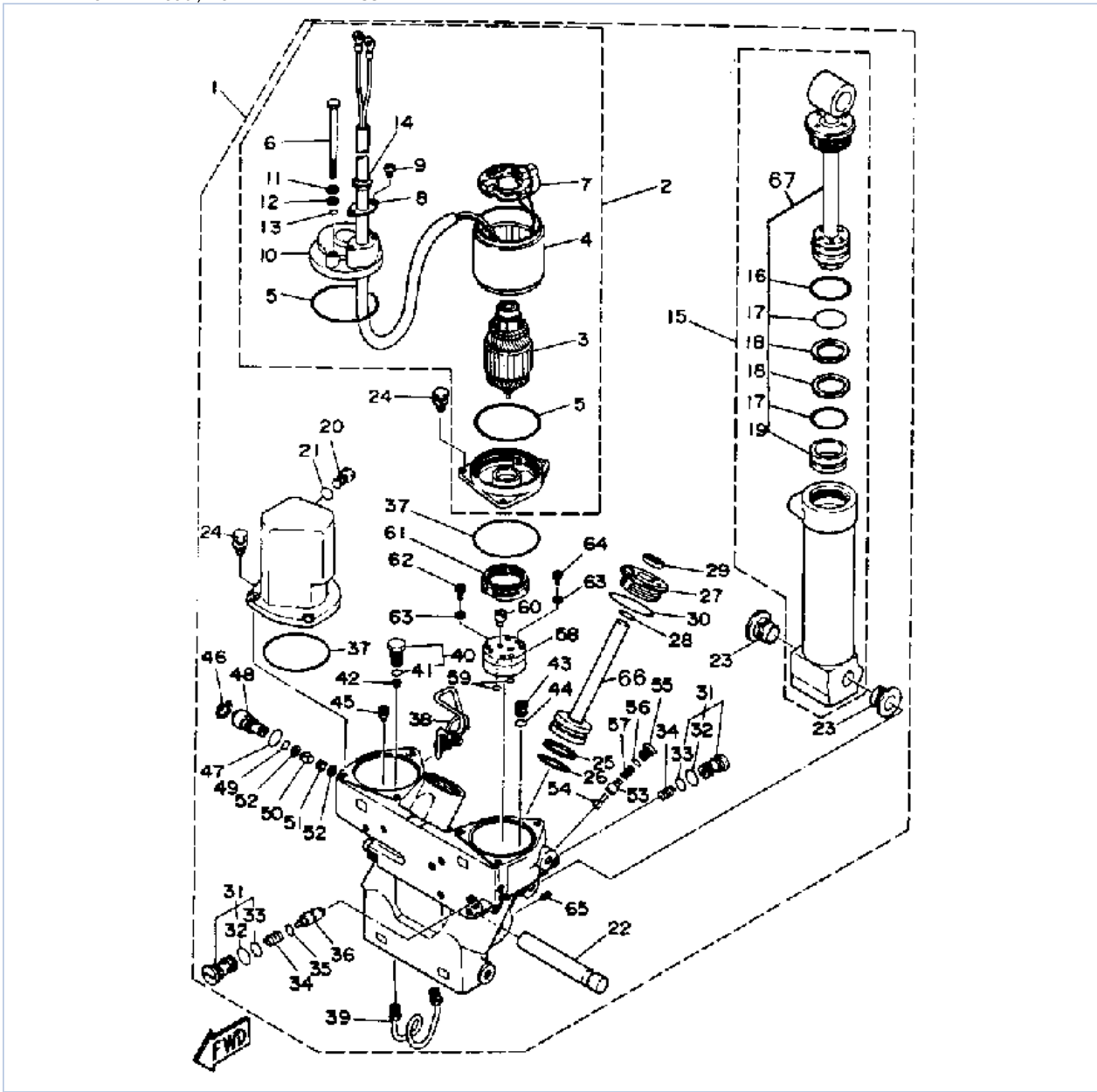
## Part List

175ETLDA 1990 / BRACKET 2

| REF<br>-<br>NO | PART<br>NUMBER  | PART NAME               | QUANTITY | REMARKS |
|----------------|-----------------|-------------------------|----------|---------|
| 1              | 6G5-43376-00-00 | BOLT, THRUST RECEIVER   | 2        |         |
| 2              | 95780-10300-00  | NUT, FLANGE             | 2        |         |
| 3              | 6Y5-83553-M0-00 | WIRE, LEAD (L=2.5M)     | 1        |         |
| 4              | 1E6-82151-00-00 | .FUUSE (10A)            | 2        |         |
| 5              | 6E5-82553-10-00 | EXTENSION, WIRE HARNESS | 1        |         |
| 6              | 6R3-83672-01-00 | TRIM SENDER             | 1        |         |
| 7              | 98580-06016-00  | SCREW, PAN HEAD         | 2        |         |
| 8              | 90465-11M10-00  | CLAMP                   | 3        |         |



175ETLDA 1990 / POWER TRIM TILT ASSEMBLY



©2013 Yamaha Motor Corporation, U.S.A. All rights reserved.

## Part List


175ETLDA 1990 / POWER TRIM TILT ASSEMBLY

| REF<br>-<br>NO | PART<br>NUMBER  | PART NAME                                      | QUANTITY | REMARKS |
|----------------|-----------------|--|----------|---------|
| 1              | 6G5-43800-02-EK | POWER TRIM TILT ASSY                           | 1        |         |
| 2              | 6G5-43880-01-00 | .MOTOR ASSEMBLY                                | 1        |         |
| 3              | 6G5-43805-00-00 | ..ARMATURE ASSY                                | 1        |         |
| 4              | 6G5-43804-00-00 | ..STATOR ASSY                                  | 1        |         |
| 5              | 6G5-43865-00-00 | ..O-RING                                       | 2        |         |
| 6              | 6G5-43887-00-00 | ..BOLT, THROUGH                                | 2        |         |
| 7              | 6G5-43806-00-00 | ..BRUSH, HOLDER ASSY                           | 1        |         |
| 8              | 6G5-43899-00-00 | ..PLATE, STOPPER                               | 1        |         |
| 9              | 6G5-43886-00-00 | ..BOLT   | 2        |         |
| 10             | 6G5-43884-00-00 | ..FRAME, COMMUTATOR END                        | 1        |         |
| 11             | 6G5-43893-00-00 | ..WASHER                                       | 2        |         |
| 12             | 6G5-43889-10-00 | ..PLATE SEAT                                   | 2        |         |
| 13             | 6G5-43867-00-00 | ..O-RING                                       | 2        |         |
| 14             | 6G5-43885-00-00 | ..GROMMET                                      | 1        |         |
| 15             | 6G5-4380E-01-00 | .TILT CYLINDER ASSEMBLY                        | 1        |         |
| 16             | 6E5-43861-00-00 | ..O-RING                                       | 1        |         |
| 17             | 6G5-43862-00-00 | ..O-RING                                       | 2        |         |
| 18             | 6E5-43872-00-00 | ..RING, BACK UP                                | 2        |         |
| 19             | 6E5-43814-02-00 | ..PISTON, FREE                                 | 1        |         |
| 20             | 6E5-43829-00-00 | .PLUG, RESERVOIR                               | 1        |         |
| 21             | 6E5-43863-00-00 | .O-RING  | 1        |         |
| 22             | 6G5-43818-00-00 | .PIN, LOWER SHOCK MOUNT                        | 1        |         |
| 23             | 90386-18M14-00  | .BUSH  | 2        |         |
| 24             | 90119-06M42-00  | .BOLT, WITH WASHER                             | 6        |         |
| 25             | 6G5-43874-00-00 | .RING, BACK UP                                 | 2        |         |
| 26             | 6G5-43864-00-00 | .O-RING  | 2        |         |
| 27             | 6G5-43821-01-00 | .SCREW, TRIM CYLINDER<br>END (6G5-43821-00-00) | 2        |         |
| 28             | 6E5-43865-00-00 | .O-RING  | 2        |         |
| 29             | 6E5-43822-01-00 | .SEAL, TRIM DUST                               | 2        |         |
| 30             | 6G5-43861-00-00 | .O-RING  | 2        |         |
| 31             | 6G5-43802-01-00 | .VALVE SUB ASSY                                | 2        |         |
| 32             | 6E5-43866-00-00 | ..O-RING                                       | 1        |         |
| 33             | 6E5-43867-00-00 | ..O-RING                                       | 1        |         |
| 34             | 6G5-43894-00-00 | .SPRING, SHUTTLE RETURN                        | 2        |         |
| 35             | 6E5-43868-00-00 | .O-RING  | 1        |         |
| 36             | 6G5-43841-00-00 | .PISTON, SHUTTLE                               | 1        |         |
| 37             | 6E5-43869-00-00 | .O-RING  | 2        |         |
| 38             | 6G5-43835-00-00 | .PIPE  | 1        |         |
| 39             | 6G5-43833-00-00 | .PIPE  | 1        |         |
| 40             | 6G5-43809-00-00 | .SEAT, VALVE COMP 2                            | 1        |         |
| 41             | 6E5-43896-00-00 | ..O-RING                                       | 1        |         |
| 42             | 6G5-43816-00-00 | .FILTER 1                                      | 1        |         |
| 43             | 6G5-43808-01-00 | .SEAT, VALVE COMP 1                            | 1        |         |
| 44             | 6E5-43883-00-00 | .O-RING  | 1        |         |
| 45             | 6G5-43803-00-00 | .CASE VALVE COMP                               | 1        |         |
| 46             | 6H1-43875-00-00 | .RING, SNAP                                    | 1        |         |
| 47             | 93210-18M75-00  | .O-RING  | 1        |         |
| 48             | 6G5-43845-00-00 | .SCREW, MANUAL RELEASE                         | 1        |         |
| 49             | 93210-10M74-00  | .O-RING  | 1        |         |
| 50             | 6E5-4382A-00-00 | .ADAPTER 1                                     | 1        |         |
| 51             | 6E5-43854-01-00 | .SPRING, MANUAL RELEASE                        | 1        |         |
| 52             | 6E5-43847-00-00 | .SEAT, MANUAL VALVE                            | 2        |         |
| 53             | 6G5-43849-00-00 | .PIN, VALVE SUPPORT                            | 1        |         |

|    |                 |                      |   |  |
|----|-----------------|----------------------|---|--|
| 54 | 6G5-4381A-00-00 | .SHAFT               | 1 |  |
| 55 | 6G5-43842-00-00 | .SCREW, VALVE SEAT   | 1 |  |
| 56 | 6G5-43866-00-00 | .O-RING              | 1 |  |
| 57 | 6E5-43824-01-00 | .SPRING, COMPRESSION | 1 |  |
| 58 | 6G5-43830-00-00 | .GEAR PUMP ASSY      | 1 |  |
| 59 | 6G5-43863-00-00 | .O-RING              | 2 |  |
| 60 | 6G5-43831-00-00 | .CONNECTOR, SHAFT    | 1 |  |
| 61 | 6E5-43817-10-00 | .FILTER 2            | 1 |  |
| 62 | 6G5-43878-01-00 | .BOLT, SOCKET        | 2 |  |
| 63 | 90201-05M00-00  | .WASHER, PLATE       | 3 |  |
| 64 | 6G5-43888-01-00 | .BOLT, SOCKET        | 1 |  |
| 65 | 6G5-43878-10-00 | .BOLT, SOCKET        | 1 |  |
| 66 | 6G5-43820-01-00 | PISTON SUB ASSEMBLY  | 2 |  |
| 67 | 6G5-43810-00-00 | PISTON SUB ASSEMBLY  | 1 |  |

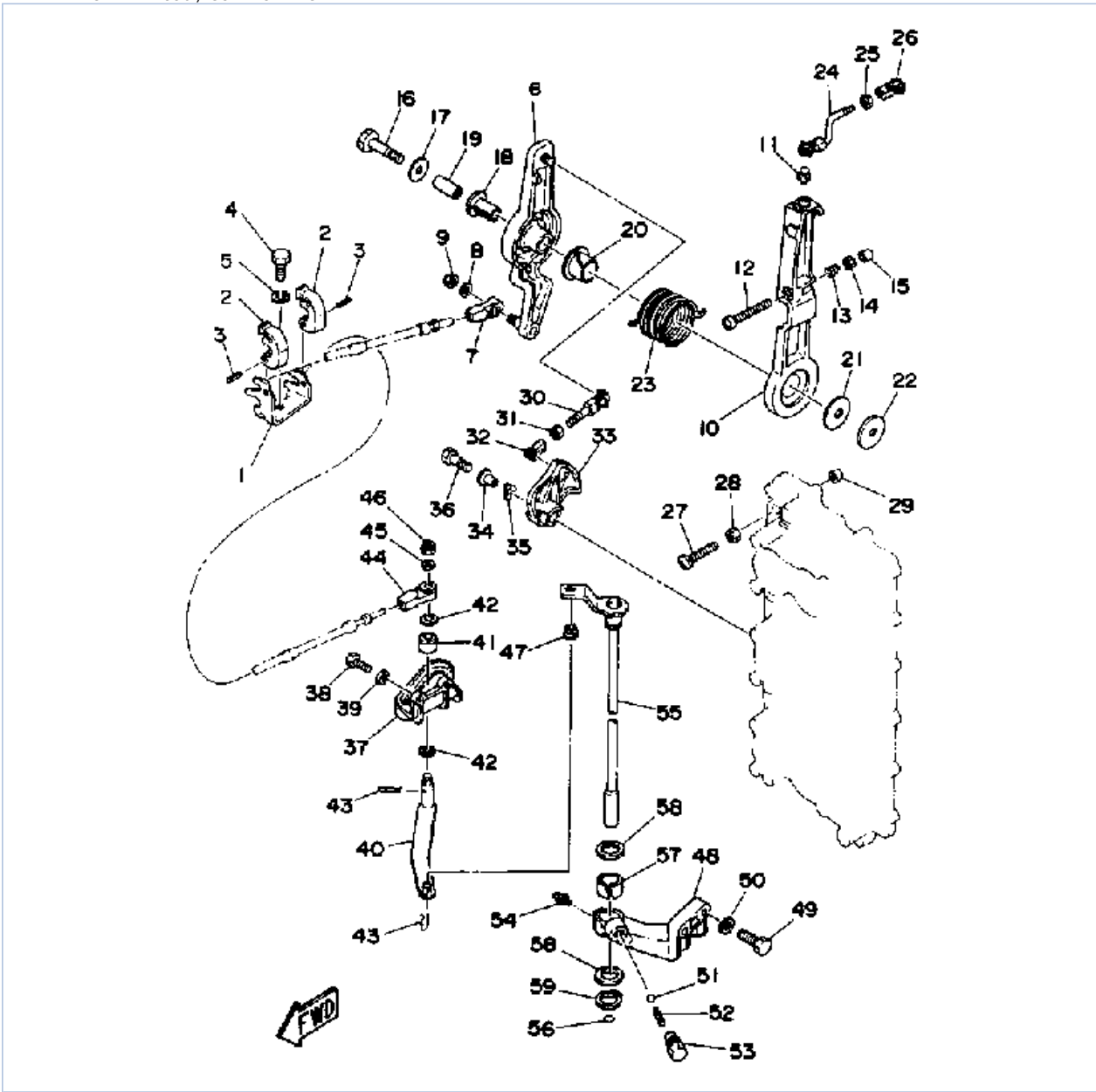
## Part Notes

175ETLDA 1990 / POWER TRIM TILT ASSEMBLY

| PART NUMBER     |   | NOTE TEXT   |
|-----------------|---|---|
| 6G5-43864-00-00 |  | OEM: This part number is among the Top 100 Most Popular Marine Maintenance Parts as of August 2013. |

©2013 Yamaha Motor Corporation, U.S.A. All rights reserved.

175ETLDA 1990 / CONTROL ENGINE



©2013 Yamaha Motor Corporation, U.S.A. All rights reserved.

## Part List





175ETLDA 1990 / CONTROL ENGINE

| REF<br>-<br>NO | PART<br>NUMBER  | PART NAME                                   | QUANTITY | REMARKS |
|----------------|-----------------|---|----------|---------|
| 1              | 6E5-48531-00-00 | BRACKET, REMOTE CONTROL<br>1                | 1        |         |
| 2              | 6E5-48538-00-00 | CLAMP, CABLE                                | 2        |         |
| 3              | 91690-30012-00  | PIN, SPRING                                 | 2        |         |
| 4              | 97395-08020-00  | BOLT, HEXAGON                               | 1        |         |
| 5              | 92990-08100-00  | WASHER, SPRING                              | 1        |         |
| 6              | 61H-41632-00-94 | LEVER, MAGNETO CONTROL<br>(6G5-41632-01-94) | 1        |         |
| 7              | 6E5-48344-00-00 | CABLE END, REMOTE<br>CONTROL                | 1        |         |
| 8              | 92990-06200-00  | ..WASHER, PLAIN                             | 1        |         |
| 9              | 90185-06062-00  | NUT, SELF-LOCKING                           | 1        |         |
| 10             | 6G5-41631-01-94 | LEVER, MAGNETO CONTROL                      | 1        |         |
| 11             | 663-85518-00-00 | JOINT, BALL                                 | 1        |         |
| 12             | 90157-06M11-00  | SCREW, PAN HEAD                             | 1        |         |
| 13             | 90501-16M12-00  | SPRING, COMPRESSION                         | 1        |         |
| 14             | 95380-06600-00  | NUT, HEXAGON                                | 1        |         |
| 15             | 688-44194-00-00 | CAP   | 1        |         |
| 16             | 97313-08045-00  | BOLT, HEXAGON                               | 1        |         |
| 17             | 90201-08M54-00  | WASHER, PLATE                               | 1        |         |
| 18             | 90386-12089-00  | BUSH  | 1        |         |
| 19             | 90387-08M16-00  | COLLAR                                      | 1        |         |
| 20             | 90386-22M13-00  | BUSH  | 1        |         |
| 21             | 90202-12092-00  | WASHER, PLATE                               | 1        |         |
| 22             | 90201-08M13-00  | WASHER, PLATE                               | 1        |         |
| 23             | 90508-29M12-00  | SPRING, TORSION                             | 1        |         |
| 24             | 6G5-41636-01-00 | ROD, MAGNETO CONTROL                        | 1        |         |
| 25             | 95380-05600-00  | NUT   | 1        |         |
| 26             | 6H1-41237-00-00 | JOINT, LINK                                 | 1        |         |
| 27             | 90157-06M13-00  | SCREW, PAN HEAD                             | 1        |         |
| 28             | 95380-06600-00  | NUT, HEXAGON                                | 1        |         |
| 29             | 688-44194-00-00 | CAP   | 1        |         |
| 30             | 6G5-41211-01-00 | LINK, ACCEL.                                | 1        |         |
| 31             | 95380-05600-00  | NUT   | 1        |         |
| 32             | 6H1-41237-00-00 | JOINT, LINK                                 | 1        |         |
| 33             | 6G5-41213-00-00 | CAM, ACCEL.                                 | 1        |         |
| 34             | 90387-06M29-00  | COLLAR                                      | 1        |         |
| 35             | 90206-10M04-00  | WASHER, WAVE                                | 1        |         |
| 36             | 97395-06025-00  | BOLT  | 1        |         |
| 37             | 6E5-44117-00-94 | BRACKET                                     | 1        |         |
| 38             | 97313-06020-00  | BOLT, HEXAGON                               | 2        |         |
| 39             | 92990-06600-00  | WASHER, PLATE                               | 2        |         |
| 40             | 6E5-44121-00-00 | LEVER, SHIFT ROD                            | 1        |         |
| 41             | 6E5-44122-00-00 | BUSHING, SHIFT ROD LEVER                    | 1        |         |
| 42             | 90202-08M20-00  | WASHER, PLATE                               | 2        |         |
| 43             | 90468-18008-00  | CLIP  | 2        |         |
| 44             | 6E5-48344-00-00 | CABLE END, REMOTE<br>CONTROL                | 1        |         |
| 45             | 92990-06200-00  | ..WASHER, PLAIN                             | 1        |         |
| 46             | 90185-06062-00  | NUT, SELF-LOCKING                           | 1        |         |
| 47             | 90386-06M12-00  | BUSH  | 1        |         |
| 48             | 6E5-44118-01-94 | BRACKET                                     | 1        |         |
| 49             | 97313-08030-00  | BOLT  | 2        |         |
| 50             | 92990-08600-00  | ..WASHER, PLATE                             | 2        |         |
| 51             | 93501-04M02-00  | BALL  | 1        |         |

|    |                 |                             |   |               |
|----|-----------------|-----------------------------|---|---------------|
| 52 | 90501-12082-00  | SPRING, COMPRESSION         | 1 |               |
| 53 | 648-42715-00-00 | BUSHING                     | 1 |               |
| 54 | 93700-06M03-00  | NIPPLE, GREASE              | 1 |               |
| 55 | 6E5-44120-02-00 | HANDEL, GEAR SHIFT ASSEMBLY | 1 | UR LONG       |
| 55 | 6E5-44120-22-00 | HANDEL, GEAR SHIFT ASSEMBLY | 1 | UR ULTRA LONG |
| 56 | 93210-09350-00  | O-RING                      | 1 |               |
| 57 | 90386-16M66-00  | BUSH                        | 1 |               |
| 58 | 90202-16061-00  | WASHER, PLATE               | 2 |               |
| 59 | 99009-16400-00  | CIRCLIP                     | 1 |               |

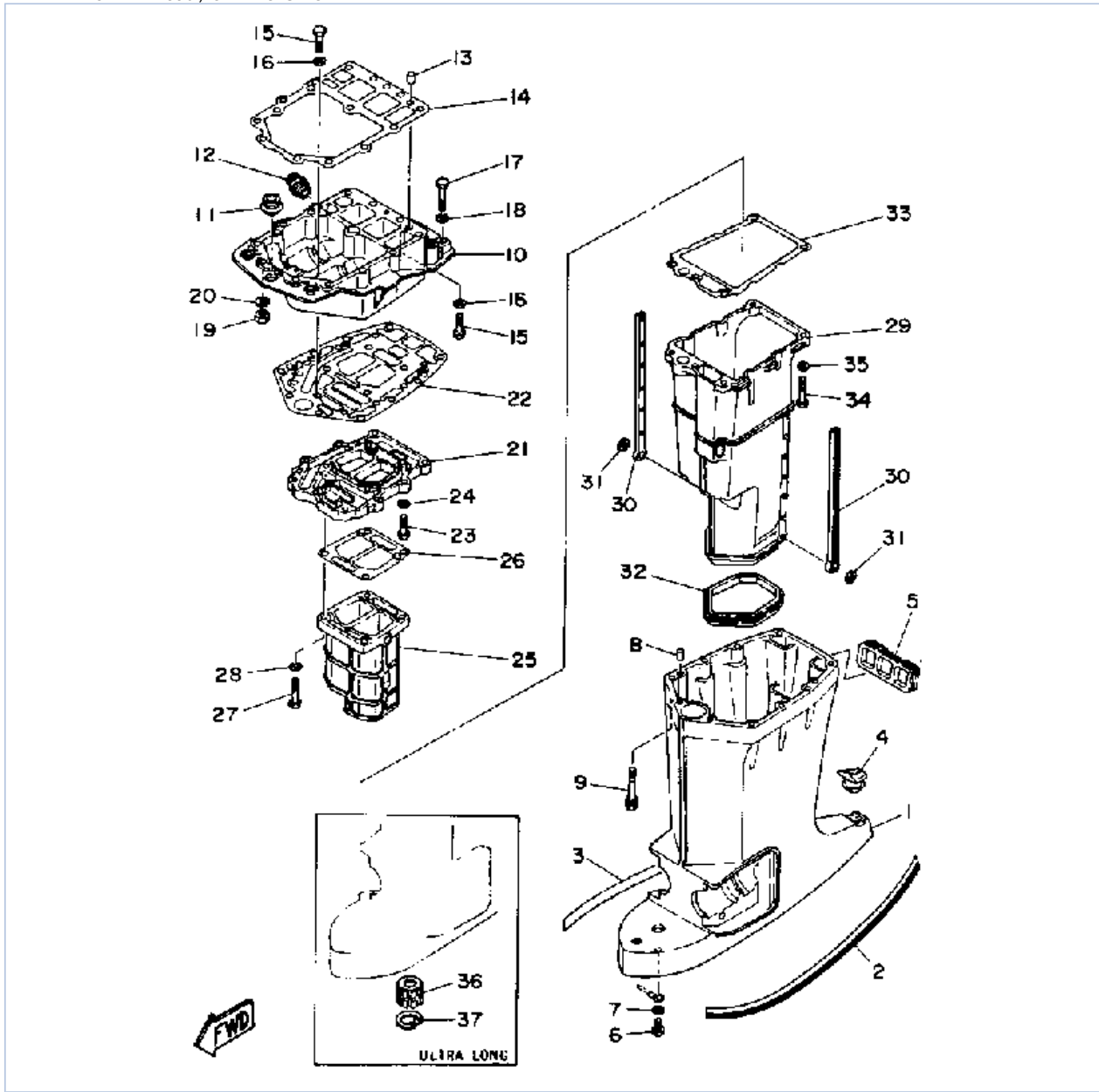
## Part Notes

175ETLDA 1990 / CONTROL ENGINE

| PART NUMBER     |   | NOTE TEXT   |
|-----------------|---|---|
| 6H1-41237-00-00 |  | OEM: This part number is among the Top 100 Most Popular Marine Maintenance Parts as of August 2013. |
| 6H1-41237-00-00 |  | OEM: This part number is among the Top 100 Most Popular Marine Maintenance Parts as of August 2013. |
| 92990-06600-00  |  | OEM: This part number is among the Top 100 Most Popular Marine Maintenance Parts as of August 2013. |
| 93700-06M03-00  |  | OEM: This part number is among the Top 100 Most Popular Marine Maintenance Parts as of August 2013. |

©2013 Yamaha Motor Corporation, U.S.A. All rights reserved.

175ETLDA 1990 / UPPER CASING



©2013 Yamaha Motor Corporation, U.S.A. All rights reserved.


## Part List

175ETLDA 1990 / UPPER CASING

| REF - NO | PART NUMBER     | PART NAME                                | QUANTITY | REMARKS       |
|----------|-----------------|--|----------|---------------|
| 1        | 6E5-45111-00-EK | CASING, UPPER                            | 1        | UR LONG       |
| 1        | 6E5-45111-20-EK | CASING, UPPER                            | 1        | UR ULTRA LONG |
| 2        | 6R3-42791-40-00 | MARK                                     | 1        |               |
| 3        | 6R3-42792-40-00 | MARK 2                                   | 1        |               |
| 4        | 6E5-45155-00-00 | CAP                                      | 1        |               |
| 5        | 6E5-42769-00-00 | SEAL, RUBBER                             | 1        |               |
| 6        | 97395-06010-00  | BOLT                                     | 1        |               |
| 7        | 92990-06600-00  | WASHER, PLATE                            | 1        |               |
| 8        | 93608-12M05-00  | PIN, DOWEL                               | 2        |               |
| 9        | 90119-08M78-00  | BOLT, WITH WASHER                        | 6        |               |
| 10       | 6G5-41137-00-94 | GUIDE, EXHAUST                           | 1        |               |
| 11       | 6E5-42724-00-00 | GROMMET                                  | 1        |               |
| 12       | 6G5-12581-00-00 | JOINT, HOSE 1                            | 1        |               |
| 13       | 93608-12M05-00  | PIN, DOWEL                               | 2        |               |
| 14       | 6G5-45113-A0-00 | GASKET, UPPER CASING                     | 1        |               |
| 15       | 97395-08030-00  | BOLT                                     | 6        |               |
| 16       | 92990-08100-00  | WASHER, SPRING                           | 6        |               |
| 17       | 97395-08045-00  | BOLT                                     | 2        |               |
| 18       | 92990-08100-00  | WASHER, SPRING                           | 2        |               |
| 19       | 95380-08700-00  | NUT                                      | 2        |               |
| 20       | 92990-08100-00  | WASHER, SPRING                           | 2        |               |
| 21       | 6G5-41131-00-5B | MANIFOLD, EXHAUST 1<br>(6G5-41131-00-9M) | 1        |               |
| 22       | 6G5-45114-00-00 | GASKET, UPPER CASING                     | 1        |               |
| 23       | 97395-08030-00  | BOLT                                     | 4        |               |
| 24       | 92990-08600-00  | .WASHER, PLATE                           | 4        |               |
| 25       | 6G5-41132-00-5B | MANIFOLD, EXHAUST (6G5-<br>41132-00-9M)  | 1        |               |
| 26       | 6G5-41134-00-00 | GASKET, EXHAUST<br>MANIFOLD              | 1        |               |
| 27       | 97395-08045-00  | BOLT                                     | 4        |               |
| 28       | 92990-08600-00  | .WASHER, PLATE                           | 4        |               |
| 29       | 6E5-14711-00-5B | MUFFLER 1 (6E5-14711-00-<br>9M)          | 1        |               |
| 30       | 6E5-14737-00-00 | DAMPER, MUFFLER                          | 2        |               |
| 31       | 90183-05M02-00  | NUT, SPRING                              | 2        |               |
| 32       | 6E5-45123-00-00 | .GASKET, MUFFLER                         | 1        |               |
| 33       | 6E5-41135-00-00 | GASKET, EXHAUST<br>MANIFOLD              | 1        |               |
| 34       | 97395-08045-00  | BOLT                                     | 5        |               |
| 35       | 92990-08600-00  | .WASHER, PLATE                           | 5        |               |
| 36       | 6E5-45318-00-00 | BUSHING, DRIVE SHAFT                     | 1        |               |
| 37       | 93420-36M01-00  | CIRCLIP                                  | 1        |               |

## Part Notes

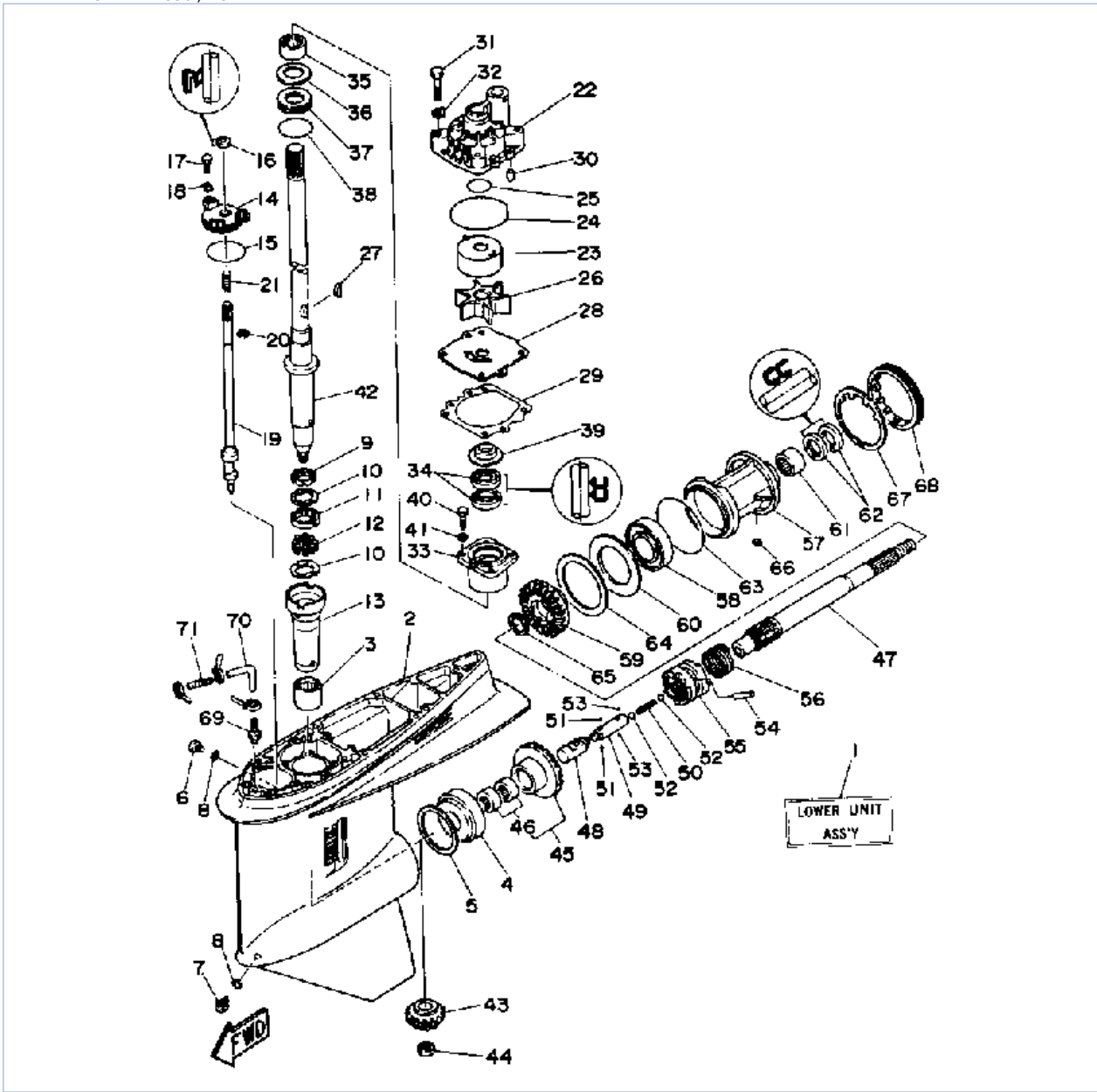
175ETLDA 1990 / UPPER CASING

| PART NUMBER  | NOTE TEXT   |
|--|---|
| 92990-06600-00  | OEM: This part number is among the Top 100 Most Popular Marine Maintenance Parts as of August 2013. |

©2013 Yamaha Motor Corporation, U.S.A. All rights reserved.



175ETLDA 1990 / LOWER DRIVE 1



©2013 Yamaha Motor Corporation, U.S.A. All rights reserved.

## Part List







175ETLDA 1990 / LOWER DRIVE 1

| REF - NO | PART NUMBER     | PART NAME                           | QUANTITY | REMARKS       |
|----------|-----------------|-------------------------------------|----------|---------------|
| 1        | 6G5-45300-23-EK | LOWER UNIT ASSEMBLY<br>(REF. #2~71) | 1        | UR ULTRA LONG |
| 1        | 6G5-45300-13-EK | LOWER UNIT ASSEMBLY<br>(REF. #2~71) | 1        | UR LONG       |
| 2        | 6J9-45301-01-EK | CASING, LOWER                       | 1        |               |
| 3        | 93311-928U5-00  | BEARING                             | 1        |               |
| 4        | 93332-000V3-00  | BEARING                             | 1        |               |
| 5        | 6G5-45567-01-30 | SHIM (T:0.30MM)                     | 1        | UR            |
| 5        | 6G5-45567-01-12 | SHIM (T:0.12MM)                     | 1        | UR            |
| 5        | 6G5-45567-01-50 | SHIM (T:0.50MM)                     | 1        | UR            |
| 5        | 6G5-45567-01-40 | SHIM (T:0.40MM)                     | 1        | UR            |
| 5        | 6G5-45567-01-18 | SHIM (T:0.18MM)                     | 1        | UR            |
| 5        | 6G5-45567-01-10 | SHIM (T:0.10MM)                     | 1        | UR            |
| 5        | 6G5-45567-01-15 | SHIM (T:0.15MM)                     | 1        | UR            |
| 6        | 90340-08M04-00  | PLUG, STRAIGHT SCREW                | 1        |               |
| 7        | 688-45341-00-00 | PLUG, DRAIN                         | 1        |               |
| 8        | 90430-08020-00  | .GASKET                             | 2        |               |
| 9        | 90209-33M12-00  | WASHER                              | 1        |               |
| 10       | 90209-33M13-00  | WASHER                              | 2        |               |
| 11       | 90387-33M00-00  | COLLAR                              | 1        |               |
| 12       | 90501-05M64-00  | SPRING, COMPRESSION                 | 8        |               |
| 13       | 6G5-45536-01-00 | SLEEVE, DRIVE SHAFT                 | 1        |               |
| 14       | 6E5-45321-00-00 | PLATE                               | 1        |               |
| 15       | 93210-58677-00  | O-RING                              | 1        |               |
| 16       | 93106-09014-00  | .OIL SEAL                           | 1        |               |
| 17       | 97395-06020-00  | BOLT, HEXAGON                       | 3        |               |
| 18       | 90209-06M04-00  | WASHER                              | 3        |               |
| 19       | 6G5-44150-01-00 | SHIFT CAM ASSY                      | 1        |               |
| 20       | 99001-08600-00  | CIRCLIP                             | 1        |               |
| 21       | 90501-11M10-00  | SPRING, COMPRESSION                 | 1        |               |
| 22       | 6E5-44311-00-00 | HOUSING, WATER PUMP                 | 1        |               |
| 23       | 6E5-44322-00-00 | INSERT, CARTRIDGE                   | 1        |               |
| 24       | 93210-86M38-00  | .O-RING                             | 1        |               |
| 25       | 93210-37M67-00  | O-RING                              | 1        |               |
| 26       | 6E5-44352-00-00 | IMPELLER                            | 1        |               |
| 27       | 90280-04M05-00  | .KEY, WOODRUFF                      | 1        |               |
| 28       | 6G5-44323-00-00 | .OUTER PLATE, CARTRIDGE             | 1        |               |
| 29       | 6E5-44315-00-00 | GASKET, WATER PUMP                  | 1        |               |
| 30       | 93606-12019-00  | .PIN, DOWEL                         | 2        |               |
| 31       | 97395-08045-00  | BOLT                                | 4        |               |
| 32       | 90209-08M02-00  | WASHER                              | 4        |               |
| 33       | 6E5-45331-00-94 | HOUSING, BEARING                    | 1        |               |
| 34       | 93101-28M16-00  | .OIL SEAL                           | 2        |               |
| 35       | 93317-330U2-00  | BEARING                             | 1        |               |
| 36       | 6E5-45587-01-12 | SHIM (T:0.12MM)                     | 1        | UR            |
| 36       | 6E5-45587-01-30 | SHIM (T:0.30MM)                     | 1        | UR            |
| 36       | 6E5-45587-01-50 | SHIM (T:0.50MM)                     | 1        | UR            |
| 36       | 6E5-45587-01-10 | SHIM (T:0.10MM)                     | 1        | UR            |
| 36       | 6E5-45587-01-15 | SHIM (T:0.15MM)                     | 1        | UR            |
| 36       | 6E5-45587-01-18 | SHIM (T:0.18MM)                     | 1        | UR            |
| 36       | 6E5-45587-01-40 | SHIM (T:0.40MM)                     | 1        | UR            |
| 37       | 93341-930U0-00  | BEARING, THRUST                     | 1        |               |
| 38       | 93210-54534-00  | O-RING                              | 1        |               |
| 39       | 6E5-45344-00-00 | COVER, OIL SEAL                     | 1        |               |

|    |                 |                     |   |               |
|----|-----------------|---------------------|---|---------------|
| 40 | 97395-08025-00  | BOLT                | 4 |               |
| 41 | 92990-08600-00  | .WASHER, PLATE      | 4 |               |
| 42 | 6G5-45501-01-00 | DRIVE SHAFT COMP.   | 1 | UR LONG       |
| 42 | 6G5-45501-21-00 | DRIVE SHAFT COMP.   | 1 | UR ULTRA LONG |
| 43 | 6G5-45551-01-00 | PINION (14T)        | 1 |               |
| 44 | 90170-16M01-00  | NUT                 | 1 |               |
| 45 | 6G5-45560-01-00 | GEAR 1 (26T)        | 1 |               |
| 46 | 93315-425V3-00  | .BEARING            | 2 |               |
| 47 | 6J9-45611-01-00 | SHAFT, PROPELLER    | 1 |               |
| 48 | 6E5-45641-01-00 | SHIFTER             | 1 |               |
| 49 | 6E5-45634-01-00 | SLIDE, SHIFT        | 1 |               |
| 50 | 90501-16M37-00  | SPRING, COMPRESSION | 1 |               |
| 51 | 93507-32031-00  | BALL 7-32           | 2 |               |
| 52 | 93511-32027-00  | BALL                | 2 |               |
| 53 | 93503-16010-00  | BALL 3-16           | 2 |               |
| 54 | 90250-08M07-00  | PIN, STRAIGHT       | 1 |               |
| 55 | 6G5-45631-00-00 | CLUTCH, DOG         | 1 |               |
| 56 | 6E5-45633-01-00 | RING, CROSS PIN     | 1 |               |
| 57 | 6J9-45332-00-94 | HOUSING, BEARING    | 1 |               |
| 58 | 93306-209U0-00  | BEARING             | 1 |               |
| 59 | 6G5-45571-01-00 | GEAR 2              | 1 |               |
| 60 | 6G5-45576-00-00 | WASHER, THRUST      | 1 |               |
| 61 | 93315-430U8-00  | BEARING             | 1 |               |
| 62 | 93101-30M17-00  | .OIL SEAL           | 2 |               |
| 63 | 93210-97M55-00  | .O-RING             | 1 |               |
| 64 | 6G5-45577-02-12 | SHIM (T:0.12MM)     | 1 | UR            |
| 64 | 6G5-45577-02-30 | SHIM (T:0.30MM)     | 1 | UR            |
| 64 | 6G5-45577-02-50 | SHIM (T:0.50MM)     | 1 | UR            |
| 64 | 6G5-45577-02-10 | SHIM (T:0.10MM)     | 1 | UR            |
| 64 | 6G5-45577-02-15 | SHIM (T:0.15MM)     | 1 | UR            |
| 64 | 6G5-45577-02-18 | SHIM (T:0.18MM)     | 1 | UR            |
| 64 | 6G5-45577-02-40 | SHIM (T:0.40MM)     | 1 | UR            |
| 65 | 90201-30M92-00  | WASHER, PLATE       | 1 |               |
| 66 | 90282-04M00-00  | KEY, STRAIGHT       | 1 |               |
| 67 | 6G5-45383-01-00 | WASHER, CLAW        | 1 |               |
| 68 | 6G5-45384-00-00 | NUT                 | 1 |               |
| 69 | 6E5-45378-00-00 | NIPPLE, HOSE        | 1 |               |
| 70 | 90445-07ME9-00  | HOSE (L120)         | 1 |               |
| 70 | 90445-07ME8-00  | HOSE (L80)          | 1 |               |
| 71 | 6E5-83558-10-00 | END, NIPPLE         | 1 |               |

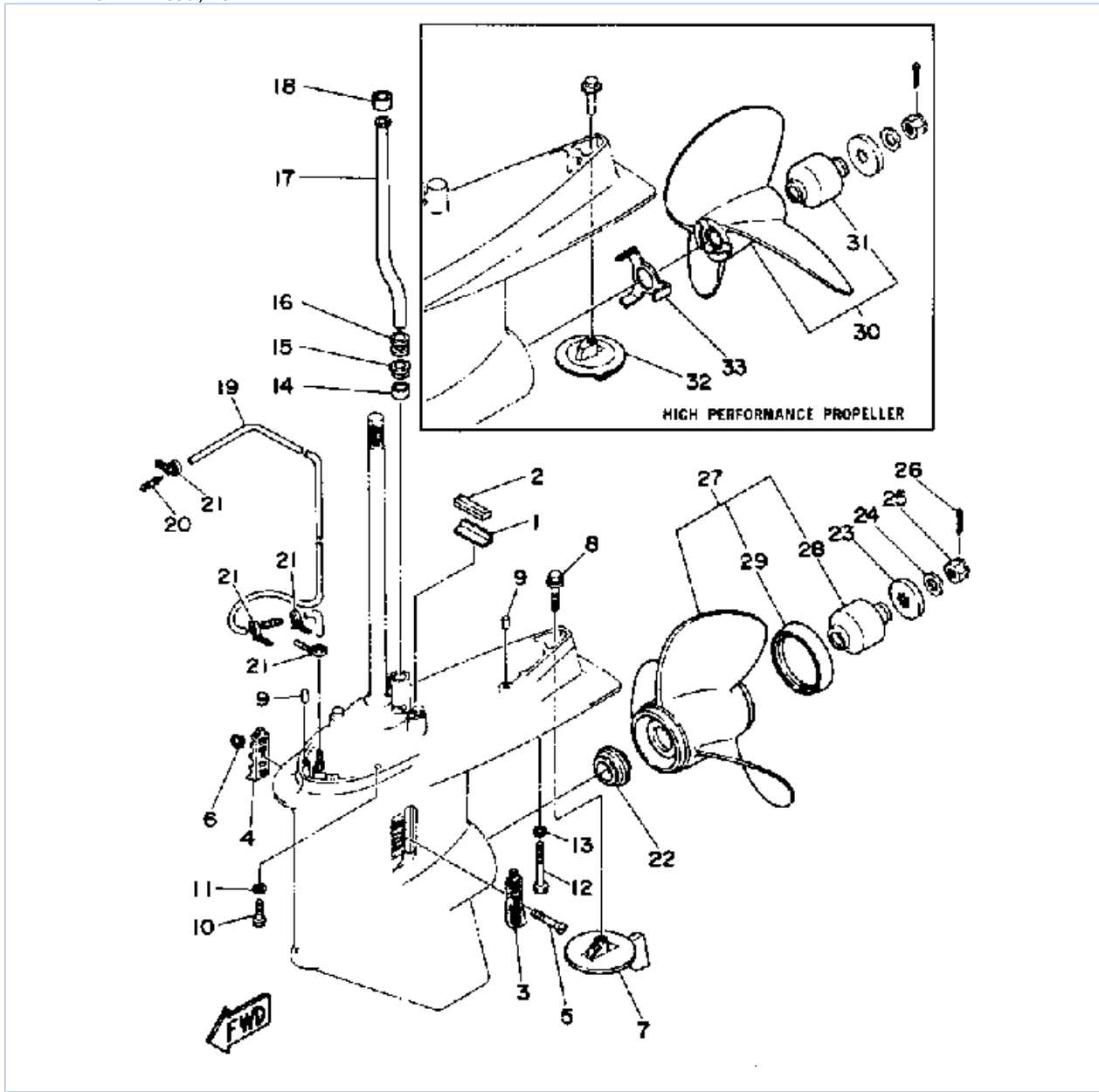
## Part Notes

175ETLDA 1990 / LOWER DRIVE 1

| PART NUMBER    |   | NOTE TEXT   |
|----------------|---|---|
| 90430-08020-00 |  | OEM: This part number is among the Top 100 Most Popular Marine Maintenance Parts as of August 2013. |
| 93106-09014-00 |  | OEM: This part number is among the Top 100 Most Popular Marine Maintenance Parts as of August 2013. |
| 93210-86M38-00 |  | OEM: This part number is among the Top 100 Most Popular Marine Maintenance Parts as of August 2013. |
| 93101-28M16-00 |  | OEM: This part number is among the Top 100 Most Popular Marine Maintenance Parts as of August 2013. |
| 93210-54534-00 |  | OEM: This part number is among the Top 100 Most Popular Marine Maintenance Parts as of August 2013. |
| 93101-30M17-00 |  | OEM: This part number is among the Top 100 Most Popular Marine Maintenance Parts as of August 2013. |

©2013 Yamaha Motor Corporation, U.S.A. All rights reserved.

175ETLDA 1990 / LOWER DRIVE 2



©2013 Yamaha Motor Corporation, U.S.A. All rights reserved.

## Part List

175ETLDA 1990 / LOWER DRIVE 2

| REF<br>-<br>NO | PART<br>NUMBER    | PART NAME   | QUANTITY | REMARKS        |
|----------------|-------------------|---|----------|----------------|
| 1              | 663-45376-00-94   | GUIDE, SEAL DAMPER  | 1        |                |
| 2              | 688-45375-00-00   | DAMPER, SEAL  | 1        |                |
| 3              | 6J9-45214-00-00   | COVER, WATER INLET 1  | 1        |                |
| 4              | 6J9-45215-00-00   | COVER, WATER INLET 2  | 1        |                |
| 5              | 90142-05M04-00    | SCREW   | 1        |                |
| 6              | 90185-05002-00    | NUT, NYLON  | 1        |                |
| 7              | 6J9-45371-01-00   | TAB-TRIM  | 1        |                |
| 8              | 90105-10M00-00    | BOLT, FLANGE  | 1        |                |
| 9              | 93608-12M05-00    | PIN, DOWEL  | 2        |                |
| 10             | 97395-10045-00    | BOLT  | 6        |                |
| 11             | 92990-10100-00    | WASHER, SPRING  | 6        |                |
| 12             | 97395-10070-00    | BOLT  | 1        |                |
| 13             | 92990-10100-00    | WASHER, SPRING  | 1        |                |
| 14             | 6E5-44365-00-00   | DAMPER, WATER SEAL 1  | 1        |                |
| 15             | 6E5-44312-00-00   | COVER, WATER PUMP<br>HOUSING                                  | 1        |                |
| 16             | 6E5-44366-00-00   | DAMPER, WATER SEAL 2  | 1        |                |
| 17             | 6E5-44361-00-00   | TUBE, WATER 1   | 1        |                |
| 17             | 6E5-44361-20-00   | TUBE, WATER 1   | 1        |                |
| 18             | 6E5-44365-00-00   | DAMPER, WATER SEAL 1  | 1        |                |
| 19             | 90445-07MF0-00    | HOSE (L1030)  | 1        |                |
| 20             | 6E5-83558-00-00   | END, NIPPLE   | 1        |                |
| 21             | 90465-11M10-00    | CLAMP   | 4        |                |
| 22             | 6E5-45987-00-00   | SPACER 1  | 1        |                |
| 23             | 688-45997-01-00   | SPACER 2  | 1        |                |
| 24             | 92990-18200-00    | WASHER  | 1        |                |
| 25             | 90171-18M04-00    | NUT, CASTLE   | 1        |                |
| 26             | 91490-40030-00    | PIN. COTTER   | 1        |                |
| 27             | 6G5-45952-00-98   | PROPELLER (3X14-5/8"X16"-<br>M)                               | 1        | UR             |
| 27             | 6G5-45947-01-98   | PROPELLER (3X14-1/2"X17"-<br>M)                               | 1        | UR             |
| 27             | 6G5-45970-02-98   | PROPELLER (3X15-1/4"X15"-<br>M)                               | 1        | UR             |
| 27             | 6G5-45932-00-98   | PROPELLER (3X15-3/4"X13"-<br>M)                               | 1        | UR             |
| 27             | 6G5-45930-00-98   | PROPELLER (3X13-3/8"X25"-<br>M)                               | 1        | UR             |
| 27             | 6G5-45978-02-98   | PROPELLER ASSY (3 X 13-<br>3/4" X 17"-M)                      | 1        | UR             |
| 27             | 6G5-45976-01-98   | PROPELLER (3X13-3/8"X23"-<br>M)                               | 1        | UR             |
| 27             | 6G5-45974-02-98   | PROPELLER ASSY (6G5-<br>45974-01-98) (3 X 13-3/4" X<br>19"-M) | 1        | UR             |
| 27             | 6G5-45972-02-98   | PROPELLER (3X13-3/4"X21"-<br>M)                               | 1        | UR             |
| 27             | 6G5-45949-00-98   | PROPELLER (3X13-1/2"X23"-<br>M)                               | 1        | UR             |
| 27             | 6G5-45941-00-98   | PROPELLER (3X15-1/4"X15"-<br>M)                               | 1        | UR             |
| 27             | 6G5-45945-01-98   | PROPELLER (3X14"X19"-M)                                       | 1        | UR             |
| 28             | 6G5-45981-00-00   | .DAMPER RUBBER,<br>PROPELLER                                  | 1        |                |
| 29             | (6G5-45986-00-94) | REFLECTOR RING  | 1        | FOR ALUM PROP. |
| 30             | 6E5-45976-10-00   | PROPELLER (3X14"X22"-P)                                       | 1        | UR             |
| 31             | 6G5-45981-00-00   | .DAMPER RUBBER,<br>PROPELLER                                  | 1        |                |

|    |                 |              |   |
|----|-----------------|--------------|---|
| 32 | 6E5-45371-10-00 | TAB-TRIM     | 1 |
| 33 | 6E5-45994-10-00 | PLATE, TOOTH | 1 |

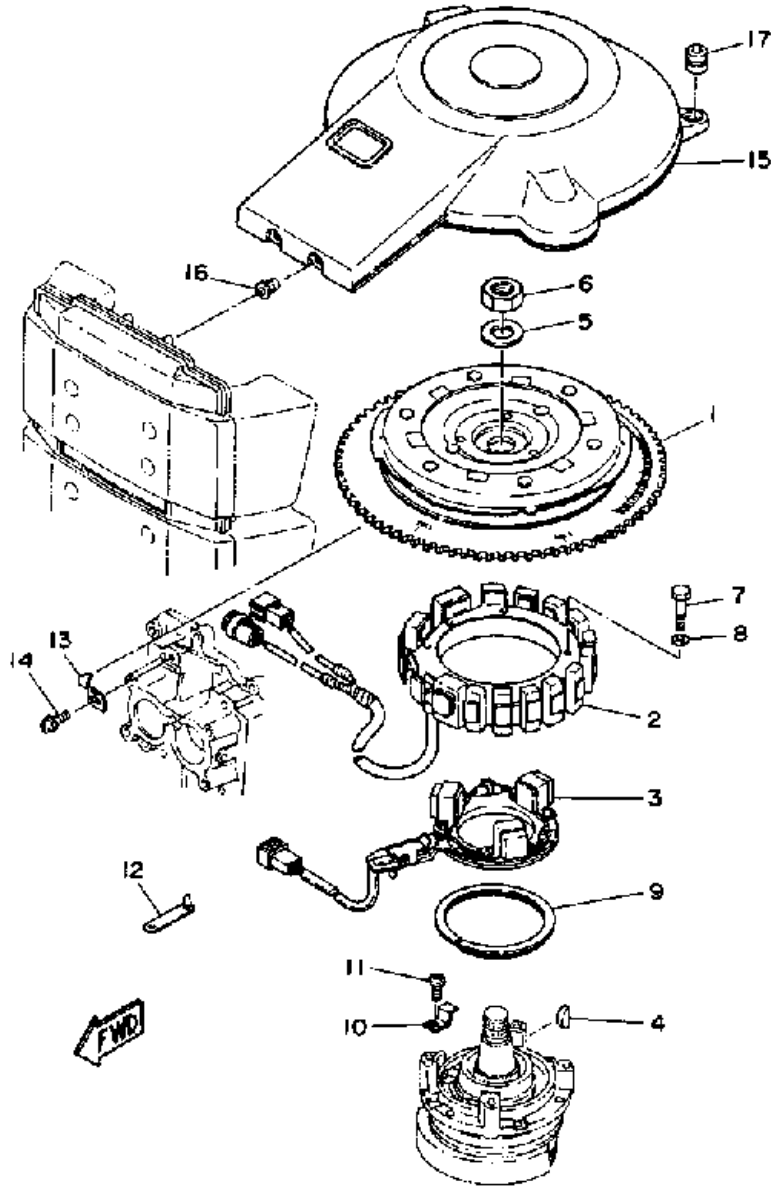
## Part Notes

175ETLDA 1990 / LOWER DRIVE 2

| PART NUMBER     |   | NOTE TEXT   |
|-----------------|---|---|
| 6J9-45371-01-00 |  | OEM: This part number is among the Top 100 Most Popular Marine Maintenance Parts as of August 2013. |
| 90105-10M00-00  |  | OEM: This part number is among the Top 100 Most Popular Marine Maintenance Parts as of August 2013. |
| 91490-40030-00  |  | OEM: This part number is among the Top 100 Most Popular Marine Maintenance Parts as of August 2013. |

©2013 Yamaha Motor Corporation, U.S.A. All rights reserved.

175ETLDA 1990 / CDI MAGNETO



©2013 Yamaha Motor Corporation, U.S.A. All rights reserved.


## Part List

175ETLDA 1990 / CDI MAGNETO

| REF<br>-<br>NO | PART<br>NUMBER  | PART NAME              | QUANTITY | REMARKS |
|----------------|-----------------|------------------------|----------|---------|
| 1              | 6R3-85550-00-00 | ROTOR ASSEMBLY         | 1        |         |
| 2              | 6R3-85510-00-00 | STATOR ASSY            | 1        |         |
| 3              | 6R3-85580-00-00 | COIL, PULSER           | 1        |         |
| 4              | 90280-05049-00  | KEY, WOODRUFF          | 1        |         |
| 5              | 90201-21M18-00  | WASHER, PLATE          | 1        |         |
| 6              | 90170-20137-00  | NUT                    | 1        |         |
| 7              | 97313-06070-00  | NUT (97301-06070)      | 4        |         |
| 8              | 92990-06600-00  | WASHER, PLATE          | 4        |         |
| 9              | 688-41611-00-00 | RETAINER, MAGNETO BASE | 1        |         |
| 10             | 688-41612-00-00 | RETAINER, MAGNETO BASE | 4        |         |
| 11             | 98580-06018-00  | SCREW, PAN HEAD        | 4        |         |
| 12             | 90464-12M00-00  | CLAMP                  | 1        |         |
| 13             | 6E5-81332-00-00 | PLATE, TIMING          | 1        |         |
| 14             | 97985-06210-00  | SCREW, WITH WASHER     | 1        |         |
| 15             | 6R3-81337-00-00 | COVER, FLYWHEEL        | 1        |         |
| 16             | 6G5-82317-00-00 | DAMPER, IGNITION COIL  | 2        |         |
| 17             | 663-82317-00-00 | DAMPER, IGNITION COIL  | 2        |         |

## Part Notes

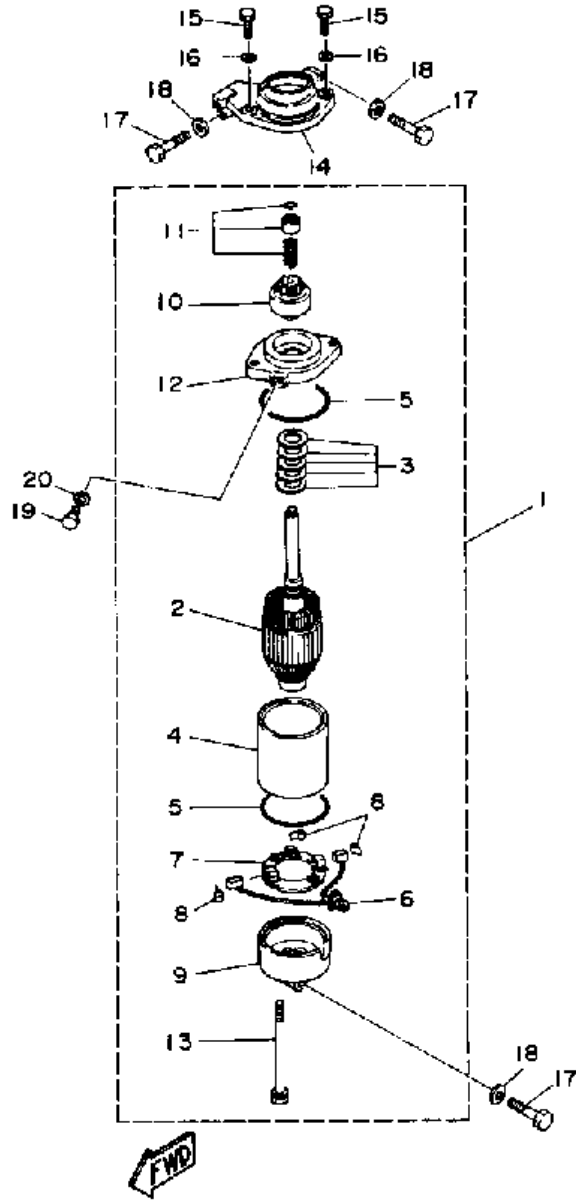
175ETLDA 1990 / CDI MAGNETO

| PART NUMBER   | NOTE TEXT   |
|---|---|
| 92990-06600-00  | OEM: This part number is among the Top 100 Most Popular Marine Maintenance Parts as of August 2013. |

©2013 Yamaha Motor Corporation, U.S.A. All rights reserved.



175ETLDA 1990 / ELECTRIC MOTOR



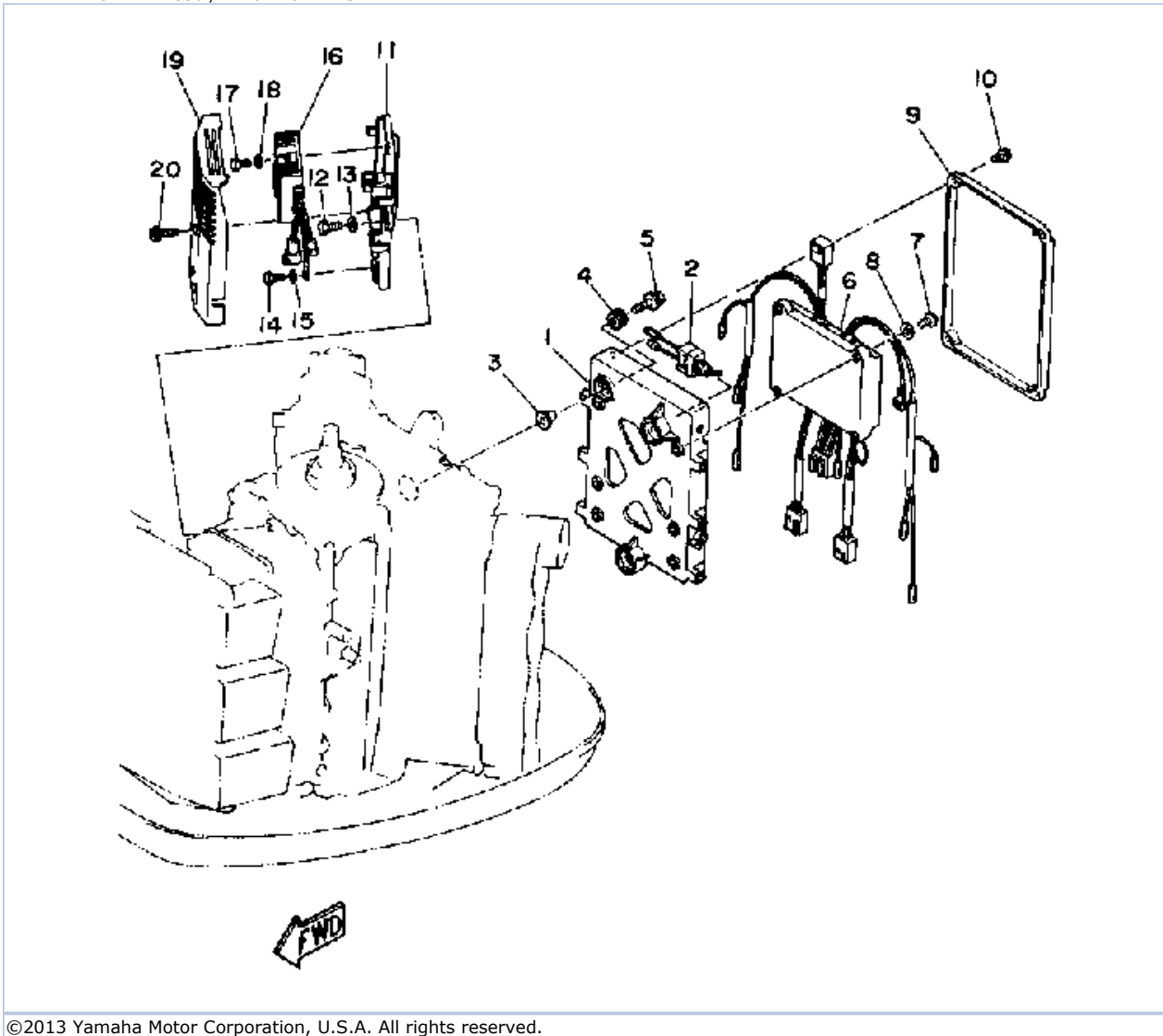
©2013 Yamaha Motor Corporation, U.S.A. All rights reserved.

## Part List

175ETLDA 1990 / ELECTRIC MOTOR

| REF<br>-<br>NO | PART<br>NUMBER  | PART NAME                        | QUANTITY | REMARKS |
|----------------|-----------------|----------------------------------|----------|---------|
| 1              | 6E5-81800-12-00 | STARTER MOTOR ASSY               | 1        |         |
| 2              | 6E5-81850-A9-00 | .ARMATURE ASSY (6E5-81850-10-00) | 1        |         |
| 3              | 6E5-81809-10-00 | .WASHER KIT                      | 1        |         |
| 4              | 6E5-81810-10-00 | .STATOR ASSY                     | 1        |         |
| 5              | 6E5-81847-10-00 | .O-RING                          | 2        |         |
| 6              | 6E5-81801-10-00 | .BRUSH SET                       | 1        |         |
| 7              | 6E5-81840-10-00 | .BRUSH HOLDER ASSY               | 1        |         |
| 8              | 6E5-81813-10-00 | .SPRING, BRUSH                   | 3        |         |
| 9              | 6E5-81820-11-00 | .REAR BRACKET ASSY               | 1        |         |
| 10             | 6E5-81807-11-00 | .GEAR ASSY, STARTING MOTOR       | 1        |         |
| 11             | 6E5-81857-10-00 | .RETAINER                        | 1        |         |
| 12             | 6E5-81830-10-00 | .FRONT BRACKET ASSY              | 1        |         |
| 13             | 6E5-81826-10-00 | .BOLT                            | 2        |         |
| 14             | 6R3-81822-00-94 | BRACKET, STARTING MOTOR          | 1        |         |
| 15             | 97013-08025-00  | BOLT                             | 2        |         |
| 16             | 92990-08600-00  | .WASHER, PLATE                   | 2        |         |
| 17             | 97313-08045-00  | BOLT, HEXAGON                    | 3        |         |
| 18             | 92990-08600-00  | .WASHER, PLATE                   | 3        |         |
| 19             | 97395-08016-00  | BOLT                             | 1        |         |
| 20             | 92990-08600-00  | .WASHER, PLATE                   | 1        |         |

175ETLDA 1990 / ELECTRIC PARTS 1



©2013 Yamaha Motor Corporation, U.S.A. All rights reserved.





## Part List

175ETLDA 1990 / ELECTRIC PARTS 1

| REF<br>-<br>NO | PART<br>NUMBER  | PART NAME                     | QUANTITY | REMARKS |
|----------------|-----------------|-------------------------------|----------|---------|
| 1              | 6R3-85542-00-EK | BRACKET                       | 1        |         |
| 2              | 6R3-8259E-00-00 | SWITCH ASSY                   | 1        |         |
| 3              | 90387-06M03-00  | COLLAR                        | 3        |         |
| 4              | 90480-09M12-00  | GROMMET                       | 3        |         |
| 5              | 90119-06M60-00  | BOLT, WITH WASHER             | 3        |         |
| 6              | 61H-85540-00-00 | CDI UNIT ASSEMBLY             | 1        |         |
| 7              | 98580-06020-00  | SCREW, PAN HEAD               | 4        |         |
| 8              | 92990-06600-00  | WASHER, PLATE                 | 4        |         |
| 9              | 6R3-85537-00-00 | COVER                         | 1        |         |
| 10             | 90159-06M11-00  | SCREW, WITH WASHER            | 4        |         |
| 11             | 6R3-81948-00-94 | BRACKET                       | 1        |         |
| 12             | 97313-06016-00  | BOLT, HEXAGON                 | 3        |         |
| 13             | 92990-06600-00  | WASHER, PLATE                 | 3        |         |
| 14             | 97013-06012-00  | BOLT                          | 1        |         |
| 15             | 92990-06600-00  | WASHER, PLATE                 | 1        |         |
| 16             | 6R3-81960-10-00 | RECTIFIER & REGULATOR<br>ASSY | 1        |         |
| 17             | 97313-06025-00  | BOLT                          | 2        |         |
| 18             | 92990-06600-00  | WASHER, PLATE                 | 2        |         |
| 19             | 6R3-81942-00-00 | COVER                         | 1        |         |
| 20             | 90159-06M08-00  | SCREW, WITH WASHER            | 4        |         |

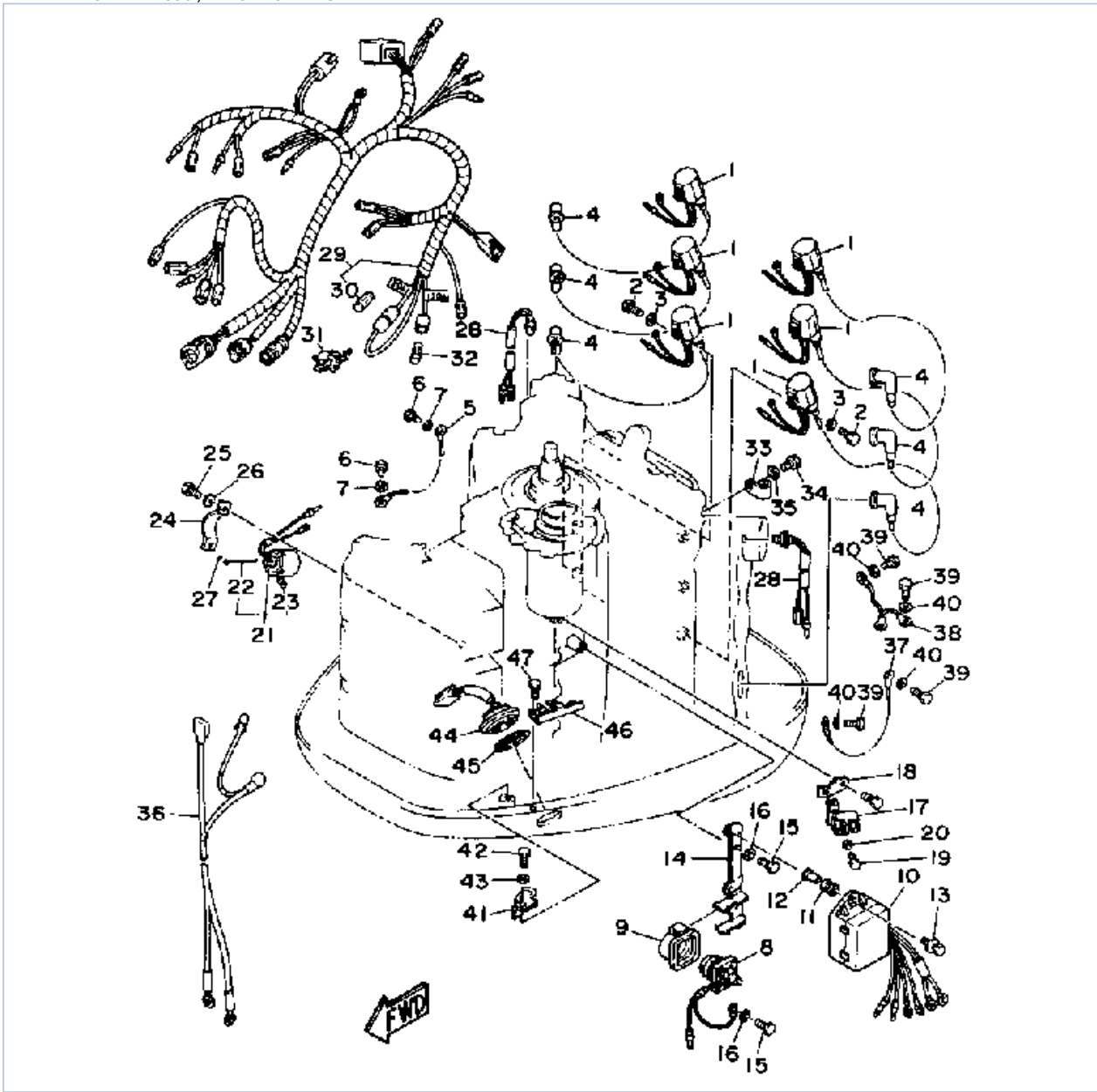
## Part Notes

175ETLDA 1990 / ELECTRIC PARTS 1

| PART NUMBER    |   | NOTE TEXT   |
|----------------|---|---|
| 92990-06600-00 |  | OEM: This part number is among the Top 100 Most Popular Marine Maintenance Parts as of August 2013. |
| 92990-06600-00 |  | OEM: This part number is among the Top 100 Most Popular Marine Maintenance Parts as of August 2013. |
| 92990-06600-00 |  | OEM: This part number is among the Top 100 Most Popular Marine Maintenance Parts as of August 2013. |
| 92990-06600-00 |  | OEM: This part number is among the Top 100 Most Popular Marine Maintenance Parts as of August 2013. |

©2013 Yamaha Motor Corporation, U.S.A. All rights reserved.

175ETLDA 1990 / ELECTRIC PARTS 2



©2013 Yamaha Motor Corporation, U.S.A. All rights reserved.


## Part List

175ETLDA 1990 / ELECTRIC PARTS 2

| REF - NO | PART NUMBER     | PART NAME               | QUANTITY | REMARKS |
|----------|-----------------|-------------------------|----------|---------|
| 1        | 6R3-85570-00-00 | IGNITION COIL ASSEMBLY  | 6        |         |
| 2        | 97313-06020-00  | BOLT, HEXAGON           | 6        |         |
| 3        | 92990-06600-00  | WASHER, PLATE           | 6        |         |
| 4        | 663-82370-01-00 | PLUG CAP ASSY           | 6        |         |
| 5        | 662-82519-00-00 | WIRE, EARTH LEAD        | 1        |         |
| 6        | 97395-06012-00  | BOLT                    | 2        |         |
| 7        | 92990-06600-00  | WASHER, PLATE           | 2        |         |
| 8        | 6E5-81941-11-00 | STARTER RELAY ASSY      | 1        |         |
| 9        | 689-81952-10-00 | HOLDER, RELAY           | 1        |         |
| 10       | 6K7-81950-01-00 | RELAY ASSEMBLY          | 1        |         |
| 11       | 6A0-82317-00-00 | DAMPER, IGNITION COIL   | 2        |         |
| 12       | 624-42542-00-00 | PIPE                    | 2        |         |
| 13       | 90119-06M64-00  | BOLT, W/WASHER          | 2        |         |
| 14       | 6G5-81948-10-00 | BRACKET                 | 1        |         |
| 15       | 97395-06016-00  | BOLT                    | 2        |         |
| 16       | 92990-06600-00  | WASHER, PLATE           | 2        |         |
| 17       | 6H5-81920-00-00 | TERMINAL ASSY           | 1        |         |
| 18       | 6G5-81929-00-00 | BRACKET, TERMINAL       | 1        |         |
| 19       | 97395-06012-00  | BOLT                    | 1        |         |
| 20       | 92990-06600-00  | WASHER, PLATE           | 1        |         |
| 21       | 6G5-86110-01-00 | SOLENOID                | 1        |         |
| 22       | 6G5-86119-00-00 | .WIRE, PULL             | 1        |         |
| 23       | 91690-30010-00  | .PIN, SPRING            | 1        |         |
| 24       | 6G5-86115-00-00 | HOLDER, SOLENOID        | 1        |         |
| 25       | 97313-06016-00  | BOLT, HEXAGON           | 2        |         |
| 26       | 92990-06600-00  | WASHER, PLATE           | 2        |         |
| 27       | 93210-03261-00  | O-RING                  | 1        |         |
| 28       | 688-82560-10-00 | THERMO SWITCH ASSY      | 2        |         |
| 29       | 6R3-82590-12-00 | WIRE HARNESS ASSEMBLY   | 1        |         |
| 30       | 682-82151-00-00 | .FUSE (12V-20A)         | 1        |         |
| 31       | 6G5-82152-00-00 | HOLDER, FUSE            | 2        |         |
| 32       | 705-82151-00-00 | .FUSE (30A)             | 1        |         |
| 33       | 90465-08028-00  | CLAMP                   | 2        |         |
| 34       | 97395-06012-00  | BOLT                    | 2        |         |
| 35       | 92990-06600-00  | WASHER, PLATE           | 2        |         |
| 36       | 6R3-82105-00-00 | WIRE HARNESS            | 1        |         |
| 37       | 6R3-82519-00-00 | WIRE, EARTH LEAD        | 1        |         |
| 38       | 6E5-82531-00-00 | WIRE, LEAD              | 1        |         |
| 39       | 97395-06012-00  | BOLT                    | 4        |         |
| 40       | 92990-06600-00  | WASHER, PLATE           | 4        |         |
| 41       | 90465-12M25-00  | CLAMP                   | 1        |         |
| 42       | 97395-06012-00  | BOLT                    | 1        |         |
| 43       | 92990-06600-00  | WASHER, PLATE           | 1        |         |
| 44       | 6R3-82563-00-00 | TRIM & TILT SWITCH ASSY | 1        |         |
| 45       | 6E5-82587-00-00 | GASKET                  | 1        |         |
| 46       | 6R3-83614-00-00 | BRACKET                 | 1        |         |
| 47       | 97395-06016-00  | BOLT                    | 2        |         |

## Part Notes

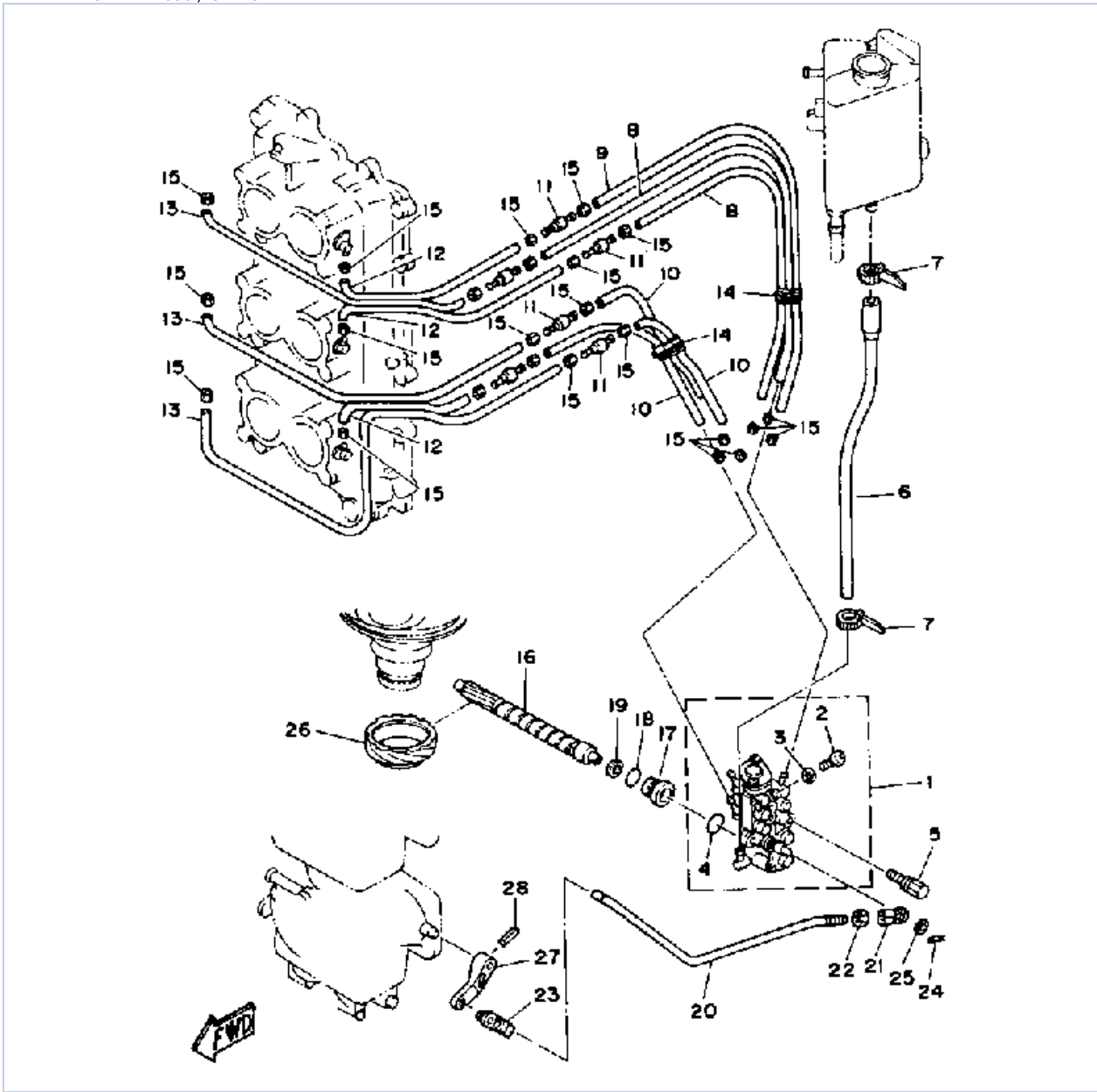
175ETLDA 1990 / ELECTRIC PARTS 2

| PART NUMBER  | NOTE TEXT   |
|--|---|
| 92990-06600-00  | OEM: This part number is among the Top 100 Most Popular Marine Maintenance Parts as of August 2013. |

|                |   |   |
|----------------|---|---|
| 92990-06600-00 |  | OEM: This part number is among the Top 100 Most Popular Marine Maintenance Parts as of August 2013. |
| 92990-06600-00 |  | OEM: This part number is among the Top 100 Most Popular Marine Maintenance Parts as of August 2013. |
| 92990-06600-00 |  | OEM: This part number is among the Top 100 Most Popular Marine Maintenance Parts as of August 2013. |
| 92990-06600-00 |  | OEM: This part number is among the Top 100 Most Popular Marine Maintenance Parts as of August 2013. |
| 92990-06600-00 |  | OEM: This part number is among the Top 100 Most Popular Marine Maintenance Parts as of August 2013. |
| 92990-06600-00 |  | OEM: This part number is among the Top 100 Most Popular Marine Maintenance Parts as of August 2013. |
| 92990-06600-00 |  | OEM: This part number is among the Top 100 Most Popular Marine Maintenance Parts as of August 2013. |

©2013 Yamaha Motor Corporation, U.S.A. All rights reserved.

175ETLDA 1990 / OIL PUMP



©2013 Yamaha Motor Corporation, U.S.A. All rights reserved.




## Part List

175ETLDA 1990 / OIL PUMP

| REF<br>-<br>NO | PART<br>NUMBER  | PART NAME                      | QUANTITY | REMARKS |
|----------------|-----------------|--------------------------------|----------|---------|
| 1              | 6R3-13200-00-00 | OIL INJECTION PUMP<br>ASSEMBLY | 1        |         |
| 1              | 6R4-13200-00-00 | OIL INJECTION PUMP ASSY        | 1        |         |
| 2              | 6H1-13471-00-00 | .PLUG, DRAIN                   | 1        |         |
| 3              | 1YU-13187-00-00 | .GASKET, BREATHER BOLT         | 1        |         |
| 4              | 93210-19MA7-00  | .O-RING                        | 1        |         |
| 5              | 90109-06M40-00  | BOLT                           | 2        |         |
| 6              | 6R3-13416-00-00 | PIPE, OIL 1                    | 1        |         |
| 7              | 90465-11M10-00  | CLAMP                          | 2        |         |
| 8              | 90445-07M73-00  | HOSE                           | 2        |         |
| 9              | 90445-07M85-00  | HOSE (L330)                    | 1        |         |
| 10             | 90445-07M83-00  | HOSE (L150)                    | 3        |         |
| 11             | 6R3-13183-00-00 | VALVE, CHECK                   | 6        |         |
| 12             | 90445-07M87-00  | HOSE (L110)                    | 3        |         |
| 13             | 90445-07M96-00  | HOSE (L310)                    | 3        |         |
| 14             | 90464-07M05-00  | CLAMP                          | 2        |         |
| 15             | 90468-07M02-00  | CLIP                           | 24       |         |
| 16             | 6R3-11537-00-00 | GEAR, DRIVEN                   | 1        |         |
| 17             | 6R3-13117-00-00 | COLLAR, DISTANCE               | 1        |         |
| 18             | 93210-13595-00  | O-RING                         | 1        |         |
| 19             | 90202-08M44-00  | WASHER, PLATE                  | 1        |         |
| 20             | 6R3-41241-00-00 | ROD, LINK                      | 1        |         |
| 21             | 6H1-41237-00-00 | JOINT, LINK                    | 1        |         |
| 22             | 95380-05600-00  | NUT                            | 1        |         |
| 23             | 6R5-41237-00-00 | JOINT, LINK                    | 1        |         |
| 24             | 90468-05M03-00  | CLIP                           | 1        |         |
| 25             | 90202-05088-00  | WASHER, PLATE                  | 1        |         |
| 26             | 6R3-11536-00-00 | GEAR, DRIVE                    | 1        |         |
| 27             | 6E5-14276-01-00 | LEVER                          | 1        |         |
| 28             | 91690-30016-00  | PIN, SPRING                    | 1        |         |

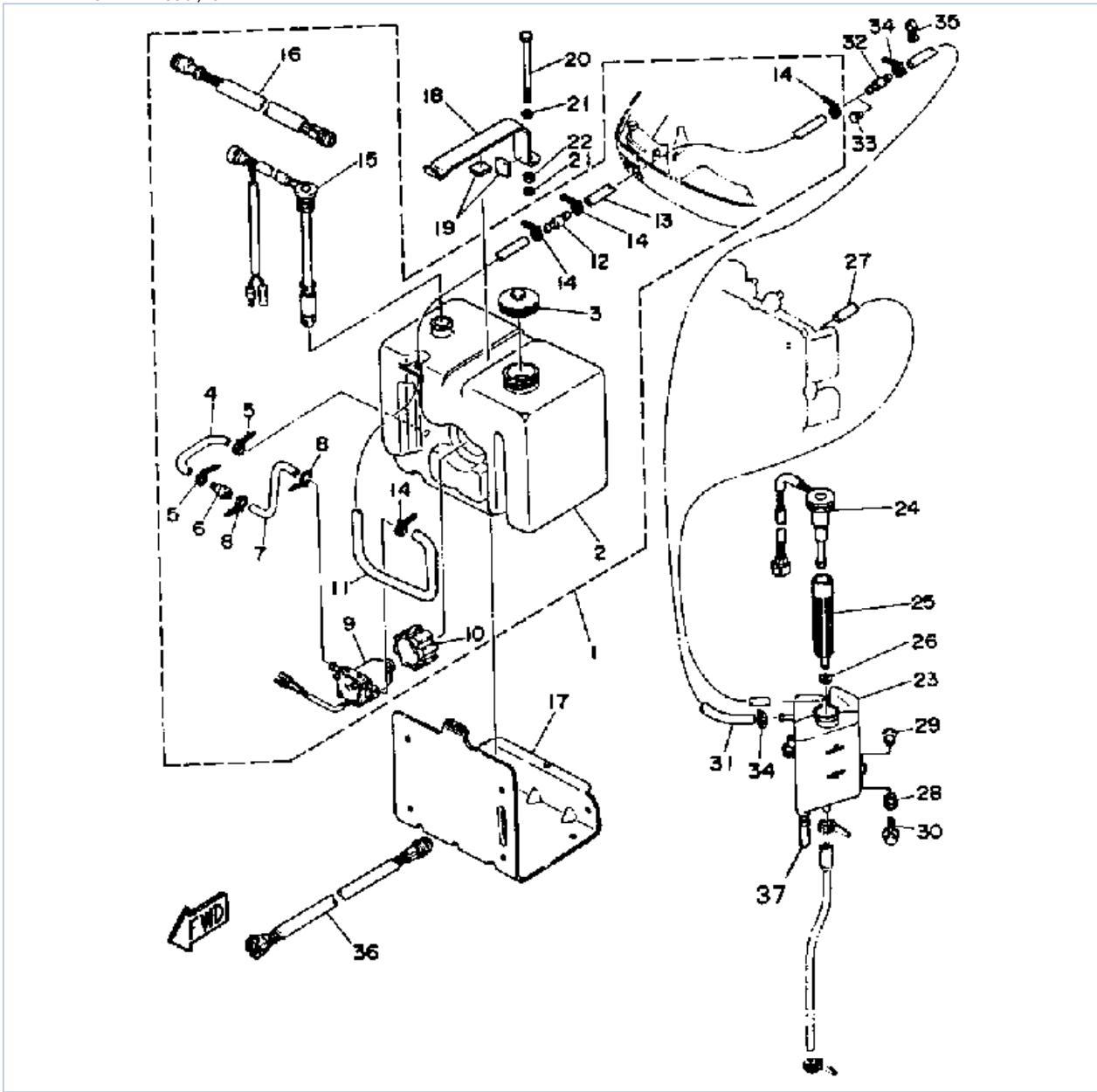
## Part Notes

175ETLDA 1990 / OIL PUMP

| PART NUMBER   | NOTE TEXT   |
|---|---|
| 6H1-41237-00-00  | OEM: This part number is among the Top 100 Most Popular Marine Maintenance Parts as of August 2013. |

©2013 Yamaha Motor Corporation, U.S.A. All rights reserved.

175ETLDA 1990 / OIL TANK



©2013 Yamaha Motor Corporation, U.S.A. All rights reserved.



## Part List

175ETLDA 1990 / OIL TANK

| REF<br>-<br>NO | PART<br>NUMBER  | PART NAME                       | QUANTITY | REMARKS |
|----------------|-----------------|---------------------------------|----------|---------|
| 1              | 6E5-21708-05-00 | OIL TANK SUB-ASSY               | 1        |         |
| 2              | 6E5-21733-02-00 | .SUB TANK, OIL (105L)           | 1        |         |
| 3              | 6E5-21770-03-00 | .OIL TANK CAP ASSY              | 1        |         |
| 4              | 6E5-24322-00-00 | .PIPE 11                        | 1        |         |
| 5              | 90465-11M10-00  | .CLAMP                          | 2        |         |
| 6              | 646-24251-02-00 | .STRAINER 1                     | 1        |         |
| 7              | 6E5-24319-01-00 | .PIPE, OIL                      | 1        |         |
| 8              | 90465-11M10-00  | .CLAMP                          | 2        |         |
| 9              | 6E5-81900-01-00 | .OIL FEED PUMP ASSY             | 1        |         |
| 10             | 6E5-81922-00-00 | .GROMMET                        | 1        |         |
| 11             | 6E5-24321-01-00 | .PIPE 10                        | 1        |         |
| 12             | 6E5-24379-00-00 | .PIPE, JOINT 4                  | 1        |         |
| 13             | 90445-11M81-00  | .HOSE (L3000)                   | 1        |         |
| 14             | 90465-11M10-00  | .CLAMP                          | 4        |         |
| 15             | 6E5-85720-02-00 | .OIL LEVEL GAUGE ASSY           | 1        |         |
| 16             | 6E5-85721-10-00 | .WIRE LEAD (6E5-85721-01-00)    | 1        |         |
| 17             | 6E5-21734-01-33 | HOLDER, OIL SUB TANK            | 1        |         |
| 18             | 6E5-21798-01-33 | BRACKET, DAMPER                 | 1        |         |
| 19             | 6E5-21746-00-00 | DAMPER                          | 2        |         |
| 20             | 97380-06100-00  | BOLT, HEXAGON (91201-06100)     | 1        |         |
| 21             | 92990-06600-00  | WASHER, PLATE                   | 2        |         |
| 22             | 95380-06600-00  | NUT, HEXAGON                    | 1        |         |
| 23             | 6E5-21750-04-00 | OIL TANK ASSY (6E5-21750-03-00) | 1        |         |
| 24             | 6R3-85730-00-00 | OIL LEVEL GAUGE ASSY            | 1        |         |
| 25             | 6E5-13411-00-00 | STRAINER, OIL                   | 1        |         |
| 26             | 6E5-13414-00-00 | GASKET, STRAINER COVER          | 1        |         |
| 27             | 90445-05M02-00  | HOSE (L380)                     | 1        |         |
| 28             | 6A0-82317-00-00 | DAMPER, IGNITION COIL           | 3        |         |
| 29             | 624-42542-00-00 | PIPE                            | 3        |         |
| 30             | 90119-06M65-00  | BOLT, WITH WASHER               | 3        |         |
| 31             | 6R3-24323-00-00 | PIPE 12                         | 1        |         |
| 32             | 6E5-24379-00-00 | PIPE, JOINT 4                   | 1        |         |
| 33             | 703-82119-00-00 | COVER, LEAD WIRE                | 1        |         |
| 34             | 90465-11M10-00  | CLAMP                           | 2        |         |
| 35             | 90464-13M34-00  | CLAMP                           | 1        |         |
| 36             | 6E5-82521-03-00 | WIRE, LEAD                      | 1        |         |

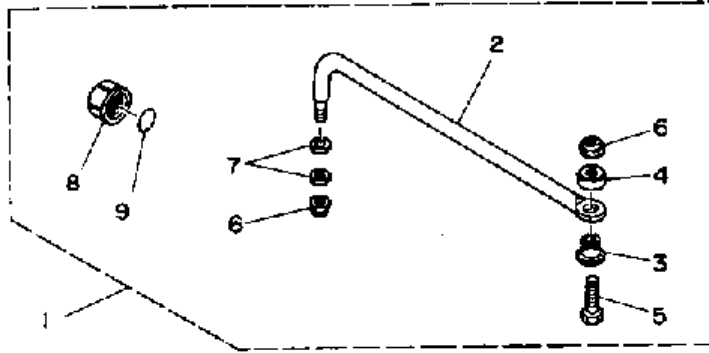
## Part Notes

175ETLDA 1990 / OIL TANK

| PART NUMBER   | NOTE TEXT   |
|---|---|
| 646-24251-02-00  | OEM: This part number is among the Top 100 Most Popular Marine Maintenance Parts as of August 2013. |
| 92990-06600-00   | OEM: This part number is among the Top 100 Most Popular Marine Maintenance Parts as of August 2013. |

©2013 Yamaha Motor Corporation, U.S.A. All rights reserved.

175ETLDA 1990 / STEERING GUIDE ATTACHMENT



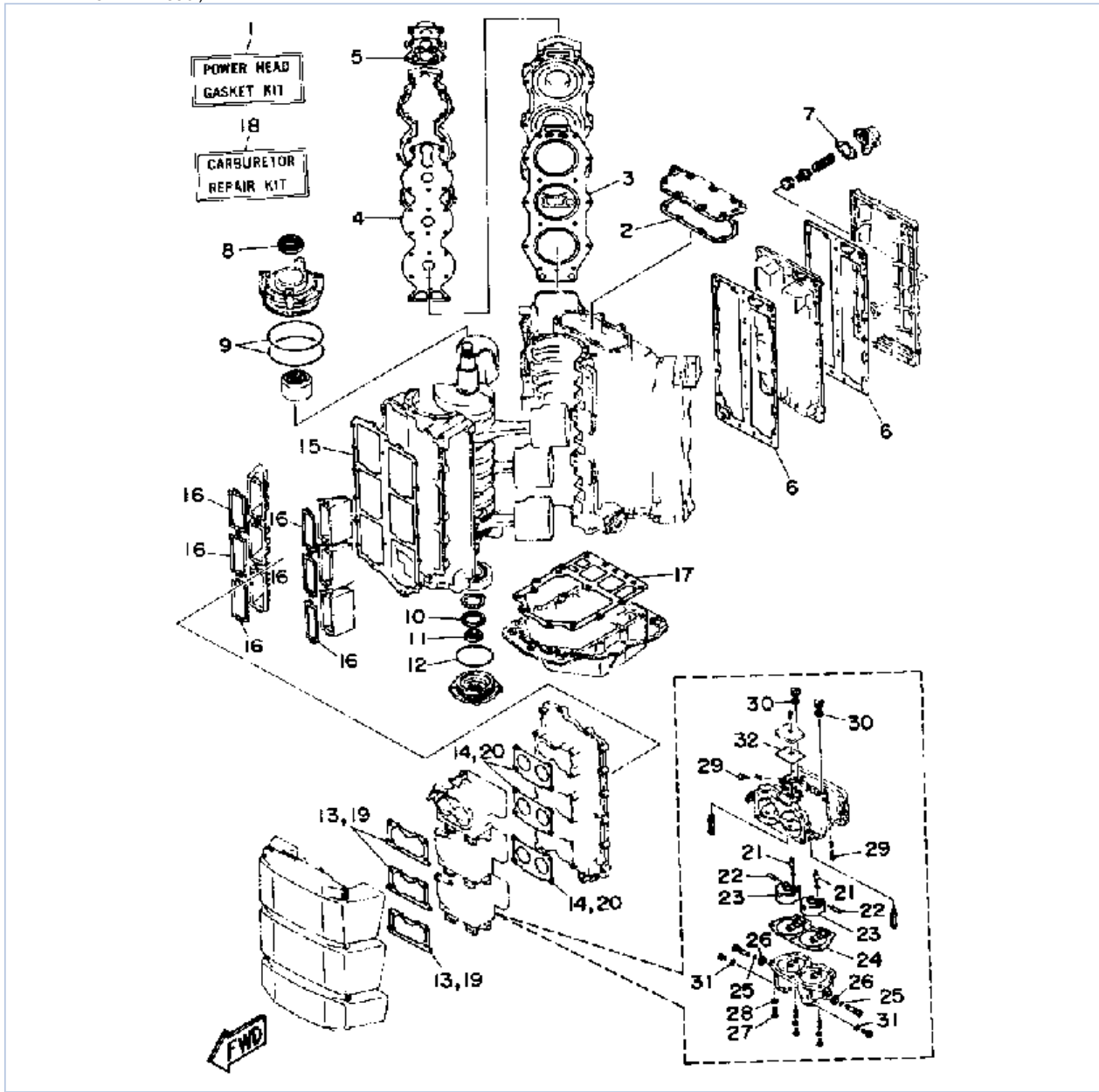
©2013 Yamaha Motor Corporation, U.S.A. All rights reserved.

## Part List

175ETLDA 1990 / STEERING GUIDE ATTACHMENT

| REF<br>-<br>NO | PART<br>NUMBER  | PART NAME                        | QUANTITY | REMARKS |
|----------------|-----------------|----------------------------------|----------|---------|
| 1              | 6E5-61350-01-00 | STEERING GUIDE<br>ATTACHMENT KIT | 1        |         |
| 2              | 6E5-61351-00-00 | .ROD, STEERING LINK              | 1        |         |
| 3              | 90387-10M61-00  | .COLLAR                          | 1        |         |
| 4              | 90560-12M01-00  | .SPACER                          | 1        |         |
| 5              | 6E5-61355-00-00 | .BOLT                            | 1        |         |
| 6              | 90185-09M01-00  | .NUT, SELF-LOCKING               | 2        |         |
| 7              | 90201-10M20-00  | .WASHER, PLATE                   | 2        |         |
| 8              | 6E5-43145-00-00 | .CAP, CLAMP BRACKET              | 1        |         |
| 9              | 93210-16716-00  | .O-RING                          | 1        |         |

175ETLDA 1990 / REPAIR KIT 1



©2013 Yamaha Motor Corporation, U.S.A. All rights reserved.


## Part List

175ETLDA 1990 / REPAIR KIT 1

| REF<br>-<br>NO | PART<br>NUMBER  | PART NAME                       | QUANTITY | REMARKS |
|----------------|-----------------|---------------------------------|----------|---------|
| 1              | 6R3-W0001-03-00 | POWER HEAD GASKET KIT           | 1        |         |
| 2              | 6E5-11381-00-00 | .GASKET 1                       | 1        |         |
| 3              | 6G5-11181-A0-00 | .GASKET, CYLINDER HEAD 1        | 2        |         |
| 4              | 6G5-11193-01-00 | .GASKET, HEAD COVER 1           | 2        |         |
| 5              | 688-12414-A1-00 | .GASKET, COVER                  | 2        |         |
| 6              | 6G5-41112-A1-00 | .GASKET, EXHAUST INNER<br>COVER | 2        |         |
| 7              | 6G5-11382-A1-00 | .GASKET 2                       | 1        |         |
| 8              | 93102-40M38-00  | .OIL SEAL                       | 1        |         |
| 9              | 93211-04384-00  | .O-RING                         | 2        |         |
| 10             | 93102-35M13-00  | .OIL SEAL                       | 1        |         |
| 11             | 93101-22M15-00  | .OIL SEAL                       | 1        |         |
| 12             | 93210-74M35-00  | .O-RING                         | 1        |         |
| 13             | 6K7-14483-00-00 | .GASKET                         | 3        |         |
| 14             | 6E5-14198-A1-00 | .GASKET                         | 3        |         |
| 15             | 6G5-13645-A1-00 | .GASKET, MANIFOLD 1             | 1        |         |
| 16             | 6E5-13621-00-00 | .GASKET, VALVE SEAT             | 6        |         |
| 17             | 6G5-45113-A0-00 | .GASKET, UPPER CASING           | 1        |         |
| 18             | 6K7-W0093-02-00 | CARB REPAIR KIT                 | 1        |         |
| 19             | 6K7-14483-00-00 | .GASKET                         | 1        |         |
| 20             | 6E5-14198-A1-00 | .GASKET                         | 1        |         |
| 21             | 6E5-14546-00-00 | .VALVE, NEEDLE                  | 6        |         |
| 22             | 6E5-14386-02-00 | .PIN, FLOAT                     | 6        |         |
| 23             | 6E5-14385-02-00 | .FLOAT                          | 6        |         |
| 24             | 6E5-14384-03-00 | .GASKET, FLOAT CHAMBER          | 3        |         |
| 25             | 6E5-14997-00-00 | .O-RING                         | 6        |         |
| 26             | 6E5-14398-01-00 | .GASKET                         | 6        |         |
| 27             | 98580-05016-00  | .SCREW, PAN HEAD                | 3        |         |
| 28             | 92990-05100-00  | .WASHER, SPRING                 | 3        |         |
| 29             | 6E5-14323-03-00 | .SCREW, AIR ADJUSTING           | 6        |         |
| 30             | 6E5-14979-00-00 | .GASKET                         | 6        |         |
| 31             | 6J8-14995-00-00 | .GASKET                         | 6        |         |
| 32             | 6E5-14959-01-00 | .GASKET                         | 3        |         |

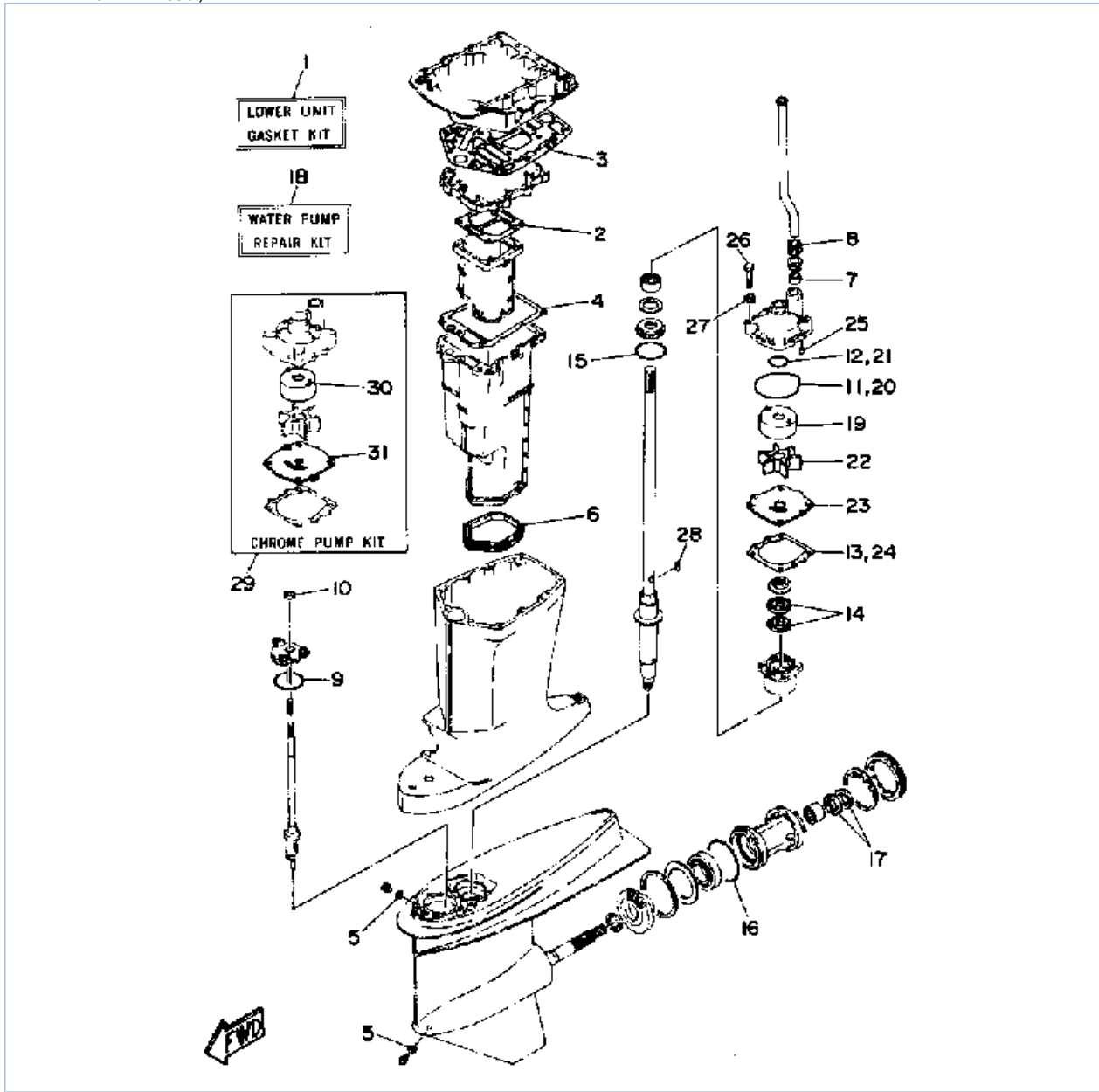
## Part Notes

175ETLDA 1990 / REPAIR KIT 1

| PART NUMBER   | NOTE TEXT   |
|---|---|
| 688-12414-A1-00  | OEM: This part number is among the Top 100 Most Popular Marine Maintenance Parts as of August 2013. |

©2013 Yamaha Motor Corporation, U.S.A. All rights reserved.

175ETLDA 1990 / REPAIR KIT 2



©2013 Yamaha Motor Corporation, U.S.A. All rights reserved.










## Part List

175ETLDA 1990 / REPAIR KIT 2

| REF - NO | PART NUMBER     | PART NAME                 | QUANTITY | REMARKS |
|----------|-----------------|---------------------------|----------|---------|
| 1        | 6G5-W0001-21-00 | LOWER UNIT GASKET KIT     | 1        |         |
| 2        | 6G5-41134-00-00 | .GASKET, EXHAUST MANIFOLD | 1        |         |
| 3        | 6G5-45114-00-00 | .GASKET, UPPER CASING     | 1        |         |
| 4        | 6E5-41135-00-00 | .GASKET, EXHAUST MANIFOLD | 1        |         |
| 5        | 90430-08020-00  | .GASKET                   | 2        |         |
| 6        | 6E5-45123-00-00 | .GASKET, MUFFLER          | 1        |         |
| 7        | 6E5-44365-00-00 | .DAMPER, WATER SEAL 1     | 1        |         |
| 8        | 6E5-44366-00-00 | .DAMPER, WATER SEAL 2     | 1        |         |
| 9        | 93210-58677-00  | .O-RING                   | 1        |         |
| 10       | 93106-09014-00  | .OIL SEAL                 | 1        |         |
| 11       | 93210-86M38-00  | .O-RING                   | 1        |         |
| 12       | 93210-37M67-00  | .O-RING                   | 1        |         |
| 13       | 6E5-44315-00-00 | .GASKET, WATER PUMP       | 1        |         |
| 14       | 93101-28M16-00  | .OIL SEAL                 | 2        |         |
| 15       | 93210-54534-00  | .O-RING                   | 1        |         |
| 16       | 93210-97M55-00  | .O-RING                   | 1        |         |
| 17       | 93101-30M17-00  | .OIL SEAL                 | 2        |         |
| 18       | 6G5-W0078-01-00 | WATER PUMP REPAIR KIT     | 1        |         |
| 19       | 6E5-44322-00-00 | .INSERT, CARTRIDGE        | 1        |         |
| 20       | 93210-86M38-00  | .O-RING                   | 1        |         |
| 21       | 93210-37M67-00  | .O-RING                   | 1        |         |
| 22       | 6E5-44352-00-00 | .IMPELLER                 | 1        |         |
| 23       | 6G5-44323-00-00 | .OUTER PLATE, CARTRIDGE   | 1        |         |
| 24       | 6E5-44315-00-00 | .GASKET, WATER PUMP       | 1        |         |
| 25       | 93606-12019-00  | .PIN, DOWEL               | 1        |         |
| 26       | 97395-08045-00  | .BOLT                     | 4        |         |
| 27       | 90209-08M02-00  | .WASHER                   | 4        |         |
| 28       | 90280-04M05-00  | .KEY, WOODRUFF            | 1        |         |
| 29       | 6G5-W0078-0A-00 | CHROME PUMP KIT           | 1        |         |
| 30       | 6E5-44322-41-00 | .INSERT, CARTRIDGE        | 1        |         |
| 31       | 6G5-44323-40-00 | .OUTER PLATE, CARTRIDGE   | 1        |         |

## Part Notes

175ETLDA 1990 / REPAIR KIT 2

| PART NUMBER  | NOTE TEXT   |
|--|---|
| 90430-08020-00  | OEM: This part number is among the Top 100 Most Popular Marine Maintenance Parts as of August 2013. |
| 93106-09014-00  | OEM: This part number is among the Top 100 Most Popular Marine Maintenance Parts as of August 2013. |
| 93210-86M38-00  | OEM: This part number is among the Top 100 Most Popular Marine Maintenance Parts as of August 2013. |
| 93101-28M16-00  | OEM: This part number is among the Top 100 Most Popular Marine Maintenance Parts as of August 2013. |
| 93210-54534-00  | OEM: This part number is among the Top 100 Most Popular Marine Maintenance Parts as of August 2013. |
| 93101-30M17-00  | OEM: This part number is among the Top 100 Most Popular Marine Maintenance Parts as of August 2013. |
| 93210-86M38-00  | OEM: This part number is among the Top 100 Most Popular Marine Maintenance Parts as of August 2013. |

©2013 Yamaha Motor Corporation, U.S.A. All rights reserved.

©2013 Yamaha Motor Corporation, U.S.A. All rights reserved.