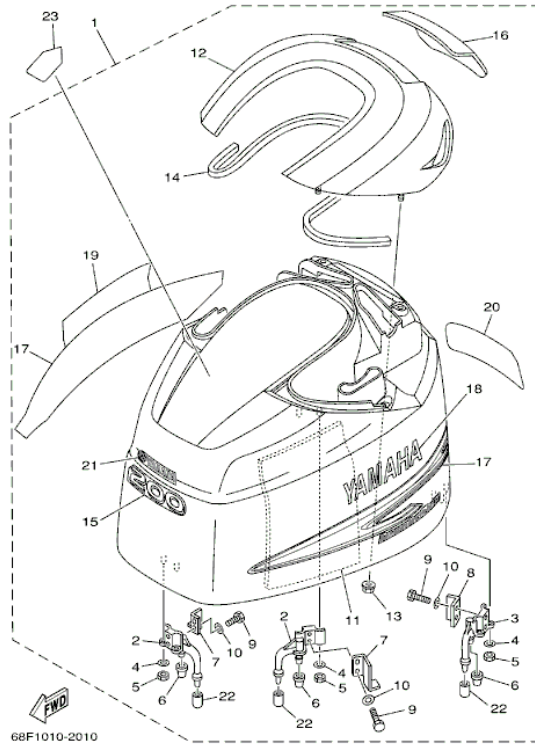


Z150TXRB 2003 / TOP COWLING



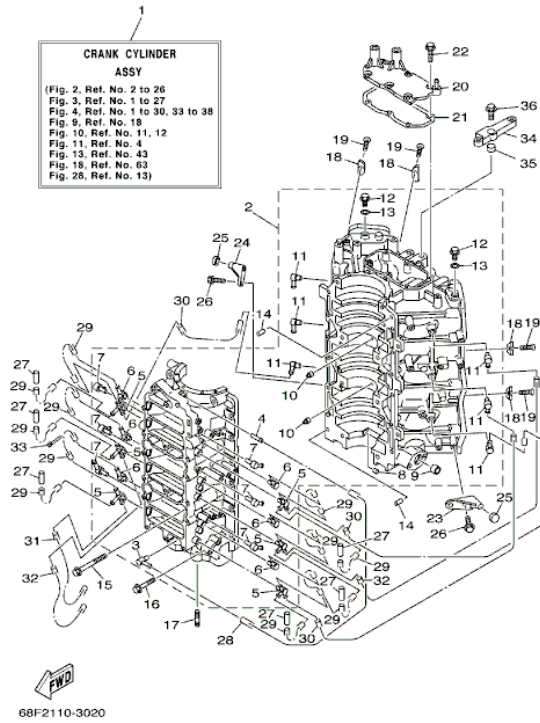
©2013 Yamaha Motor Corporation, U.S.A. All rights reserved.

Part List

Z150TXRB 2003 / TOP COWLING

| REF - NO | PART NUMBER | PART NAME | QUANTITY | REMARKS |
|----------------|-----------------|---------------------|----------|------------|
| 1 | 68H-42610-50-4D | TOP COWLING ASSY | 1 | UR (L)Z150 |
| 1 | 68L-42610-50-4D | TOP COWLING ASSY | 1 | UR Z175 |
| 2 | 68F-42647-01-94 | .HOLDER, CLAMP BAND | 2 | |
| 3 | 68F-42648-01-94 | .HOLDER, CLAMP BAND | 1 | |
| 4 | 92990-06100-00 | .WASHER, SPRING | 6 | |
| 5 | 95380-06600-00 | .NUT, HEXAGON | 6 | |
| 6 | 68F-42663-00-00 | .DAMPER | 3 | |
| 7 | 68F-42651-00-00 | .HOOK | 2 | |
| 8 | 67F-42652-00-00 | .HOOK | 1 | |
| 9 | 97095-06016-00 | .BOLT | 6 | |
| 10 | 92995-06600-00 | .WASHER | 6 | |
| 11 | 68F-42619-00-00 | .DAMPER, FORM | 1 | |
| 12 | 68F-42613-00-4D | .MOLDING, AIR DUCT | 1 | |
| 13 | 90179-06M24-00 | .NUT | 6 | |
| 14 | 68F-42662-00-00 | .DAMPER | 1 | |
| 15 | 68H-42677-50-00 | .GRAPHIC, FRONT | 1 | UR (L)Z150 |
| 15 | 68L-42677-50-00 | .GRAPHIC, FRONT | 1 | UR Z175 |
| 16 | 68F-42687-10-00 | .EMBLEM, REAR | 1 | |
| 17 | 68F-W0070-50-00 | .GRAPHIC SET | 1 | |
| 18 | 68F-42681-50-00 | .MARK, COWLING | 1 | |
| 19 | 68F-42682-50-00 | .MARK, COWLING | 1 | |
| 20 | 68H-42678-50-00 | .GRAPHIC, REAR | 1 | UR (L)Z150 |
| 20 | 68L-42678-50-00 | .GRAPHIC, REAR | 1 | UR Z175 |
| 21 | 68F-42677-60-00 | .GRAPHIC, FRONT | 1 | |
| 22 | 67F-13448-00-00 | .CAP | 3 | |
| 23 | 68F-13434-00-00 | LABEL, CAUTION | 1 | |

Z150TXRB 2003 / CYLINDER CRANKCASE 1



©2013 Yamaha Motor Corporation, U.S.A. All rights reserved.


Part List

Z150TXRB 2003 / CYLINDER CRANKCASE 1

| REF - NO | PART NUMBER | PART NAME | QUANTITY | REMARKS |
|----------|-----------------|----------------------------|----------|------------|
| 1 | 68H-W0090-12-1S | CRANK CYLINDER ASSY | 1 | UR (L)Z150 |
| 1 | 68L-W0090-11-1S | CRANK CYLINDER ASSY | 1 | UR Z175 |
| 2 | 68L-15100-00-1S | CRANKCASE ASSY | 1 | UR Z175 |
| 2 | 68H-15100-00-1S | CRANKCASE ASSY | 1 | UR (L)Z150 |
| 3 | 6E5-11372-01-00 | .NIPPLE, HOSE | 1 | |
| 4 | 624-14485-00-00 | .PIPE, JOINT | 1 | |
| 5 | 68F-11372-01-00 | .NIPPLE, HOSE | 6 | |
| 6 | 650-11370-01-00 | .CHECK VALVE ASSY | 6 | |
| 7 | 68F-13552-00-00 | .NOZZLE | 6 | |
| 8 | 90384-06M07-00 | .BUSH, BIMETAL FORMED | 1 | |
| 9 | 90384-14M09-00 | .BUSH, BIMETAL FORMED | 1 | |
| 10 | 663-11518-01-00 | .LOCK, BEARING | 2 | |
| 11 | 646-11370-01-00 | .CHECK VALVE ASSY | 6 | |
| 12 | 90340-14M00-00 | .PLUG, STRAIGHT SCREW | 2 | |
| 13 | 90430-14115-00 | .GASKET | 2 | |
| 14 | 93608-12063-00 | PIN, DOWEL | 2 | |
| 15 | 90105-10M20-00 | BOLT, FLANGE | 8 | |
| 16 | 90119-08M94-00 | BOLT, WITH WASHER | 12 | |
| 17 | 90116-08M45-00 | BOLT, STUD | 2 | |
| 18 | 6E5-11325-00-00 | ANODE | 8 | |
| 19 | 98780-04015-00 | SCREW, FLAT HEAD | 8 | |
| 20 | 68F-11371-00-1S | COVER | 1 | |
| 21 | 68F-11381-00-00 | .GASKET 1 | 1 | |
| 22 | 90119-06MA2-00 | BOLT, WITH WASHER | 6 | |
| 23 | 6E5-42761-00-1S | STOPPER | 1 | |
| 24 | 6E5-42762-00-1S | STOPPER | 1 | |
| 25 | 68F-44533-00-00 | DAMPER, UPPER MOUNT RUBBER | 2 | |
| 26 | 90119-06MA2-00 | BOLT, WITH WASHER | 4 | |
| 27 | 90445-07M03-00 | .HOSE (L34) | 6 | |
| 28 | 90445-07M10-00 | HOSE (L510) | 1 | |
| 29 | 90445-07MA6-00 | HOSE (L90) | 12 | |
| 30 | 90445-07MA4-00 | HOSE (L280) | 3 | |
| 31 | 90445-07M45-00 | HOSE (L340) | 1 | |
| 32 | 90445-07M27-00 | HOSE (L310) | 2 | |
| 33 | 90464-07M20-00 | CLAMP | 1 | |
| 34 | 68F-13782-00-00 | STAY | 1 | |
| 35 | 90387-08M31-00 | COLLAR | 2 | |
| 36 | 90110-08M04-00 | BOLT, HEXAGON SOCKET HEAD | 2 | |

Part Notes

Z150TXRB 2003 / CYLINDER CRANKCASE 1

| PART NUMBER | NOTE TEXT |
|-----------------|---|
| 68L-W0090-11-1S |  OEM: When replacing CRANK-CYLINDER ASSY P/N 68L-W0090-11-1S with the superseding part number 68L-W0090-13-1S or later superseding part numbers, you will also have to either transfer the origi |

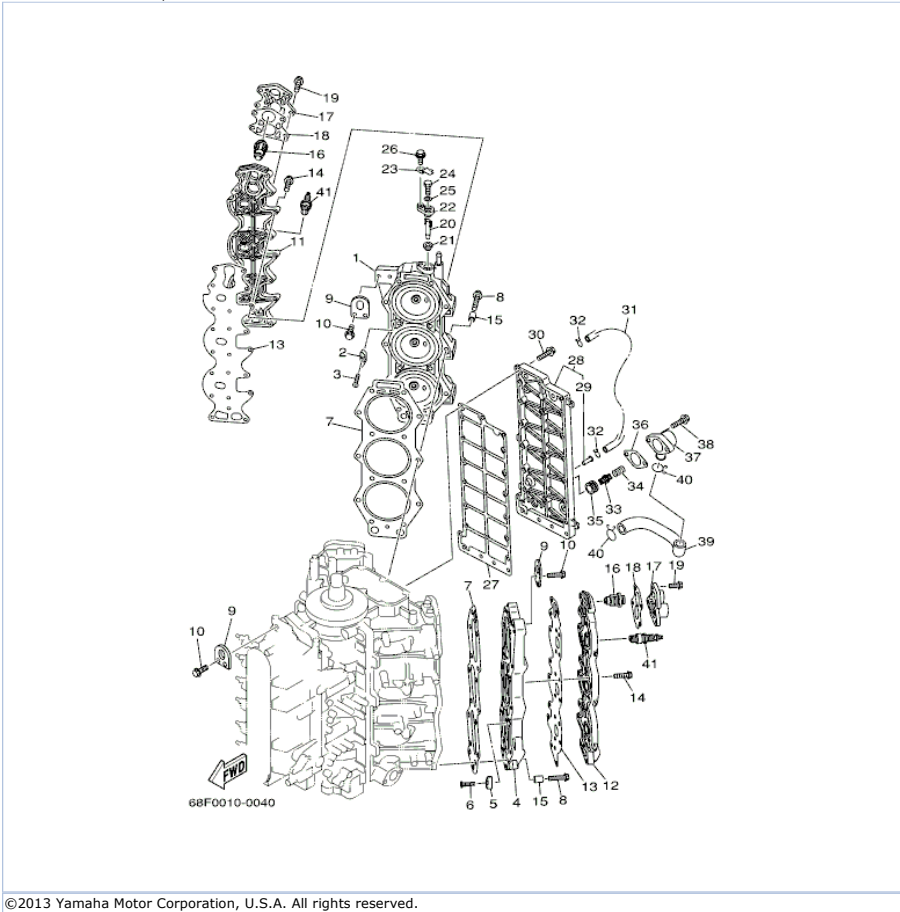
©2013 Yamaha Motor Corporation, U.S.A. All rights reserved.

Part List

Z150TXRB 2003 / CRANKSHAFT PISTON

| REF - NO | PART NUMBER | PART NAME | QUANTITY | REMARKS |
|----------------|-----------------|------------------------------|----------|---------------------|
| 1 | 68F-11411-01-00 | CRANKSHAFT | 1 | |
| 2 | 6E5-11447-00-00 | SEAL, CRANK | 9 | |
| 3 | 68F-15163-00-94 | HOUSING, BEARING 1 | 1 | |
| 4 | 93311-940U3-00 | BEARING | 1 | |
| 5 | 93102-40M14-00 | .OIL SEAL | 1 | |
| 6 | 93211-04001-00 | .O-RING | 2 | |
| 7 | 90119-06MA3-00 | BOLT, WITH WASHER | 4 | |
| 8 | 93310-954U1-00 | BEARING | 2 | |
| 9 | 6R3-11536-00-00 | GEAR, DRIVE | 1 | |
| 10 | 93306-208U0-00 | BEARING | 1 | |
| 11 | 93410-40M03-00 | CIRCLIP | 1 | |
| 12 | 6G5-15359-00-94 | HOUSING, OIL SEAL | 1 | |
| 13 | 93102-35M61-00 | .OIL SEAL | 1 | |
| 14 | 93101-22M15-00 | .OIL SEAL | 1 | |
| 15 | 93210-74M35-00 | .O-RING | 1 | |
| 16 | 90119-06MA2-00 | BOLT, WITH WASHER | 4 | |
| 17 | 68F-11631-01-85 | PISTON (STD) | 3 | |
| 17 | 68F-11636-01-00 | PISTON (0.50MM O/S) | 3 | AP |
| 17 | 68F-11635-01-00 | PISTON (0.25MM O/S) | 3 | AP |
| 18 | 68F-11603-01-00 | PISTON RING SET (STD) | 3 | |
| 18 | 68F-11605-01-00 | PISTON RING SET (0.50MM O/S) | 3 | AP |
| 18 | 68F-11604-01-00 | PISTON RING SET (0.25MM O/S) | 3 | AP |
| 19 | 68F-11642-01-85 | PISTON 2 (STD) | 3 | |
| 19 | 68F-11646-01-00 | PISTON 2 (0.50MM O/S) | 3 | AP |
| 19 | 68F-11645-01-00 | PISTON 2 (0.25MM O/S) | 3 | AP |
| 20 | 68F-11603-01-00 | PISTON RING SET (STD) | 3 | |
| 20 | 68F-11605-01-00 | PISTON RING SET (0.50MM O/S) | 3 | AP |
| 20 | 68F-11604-01-00 | PISTON RING SET (0.25MM O/S) | 3 | AP |
| 21 | 6R5-11633-10-00 | PIN, PISTON | 6 | |
| 22 | 6R5-11634-10-00 | CLIP, PISTON PIN | 12 | |
| 23 | 68L-11650-00-00 | CONNECTING ROD ASSY | 6 | UR Z175 |
| 23 | 6R5-11650-10-00 | CONNECTING ROD ASSY | 6 | UR (L)Z150, (L)Z200 |
| 24 | 90109-08022-00 | .BOLT | 2 | |
| 25 | 93310-323V6-00 | BEARING | 6 | |
| 26 | 90201-23M01-00 | WASHER, PLATE | 12 | |
| 27 | 93310-836U0-00 | BEARING | 6 | |

Z150TXRB 2003 / CYLINDER CRANKCASE 2



©2013 Yamaha Motor Corporation, U.S.A. All rights reserved.




Part List

Z150TXRB 2003 / CYLINDER CRANKCASE 2

| REF - NO | PART NUMBER | PART NAME | QUANTITY | REMARKS |
|----------------|-----------------|---------------------------------|----------|------------|
| 1 | 68F-11111-00-94 | HEAD, CYLINDER 1 | 1 | |
| 2 | 6E5-11325-00-00 | ANODE | 3 | |
| 3 | 98780-04015-00 | SCREW, FLAT HEAD | 3 | |
| 4 | 68F-11121-00-94 | HEAD, CYLINDER 2 | 1 | |
| 5 | 6E5-11325-00-00 | ANODE | 4 | |
| 6 | 98780-04015-00 | SCREW, FLAT HEAD | 4 | |
| 7 | 68F-11181-00-00 | .GASKET, CYLINDER HEAD 1 | 2 | |
| 8 | 90119-08MA8-00 | BOLT, WITH WASHER | 28 | |
| 9 | 68F-11119-00-00 | HANGER, ENGINE | 3 | |
| 10 | 90119-06MA2-00 | BOLT, WITH WASHER | 5 | |
| 11 | 68F-11191-00-1S | COVER, CYLINDER HEAD 1 | 1 | |
| 12 | 68F-11192-00-1S | COVER, CYLINDER HEAD 2 | 1 | |
| 13 | 68F-11193-01-00 | .GASKET, HEAD COVER 1 | 2 | |
| 14 | 90119-06MA4-00 | BOLT, WITH WASHER | 36 | |
| 15 | 99590-10114-00 | PIN, DOWEL | 4 | |
| 16 | 6E5-12411-30-00 | THERMOSTAT | 2 | |
| 17 | 688-12413-00-1S | COVER, THERMOSTAT | 2 | |
| 18 | 688-12414-A1-00 | .GASKET, COVER | 2 | |
| 19 | 90119-06MA6-00 | BOLT, WITH WASHER | 8 | |
| 20 | 62Y-11325-00-00 | ANODE | 1 | |
| 21 | 66M-11328-00-00 | GROMMET, ANODE | 1 | |
| 22 | 66M-11327-00-94 | COVER, ANODE | 1 | |
| 23 | 66M-12535-00-00 | PLATE | 1 | |
| 24 | 97095-05012-00 | BOLT | 1 | |
| 25 | 92995-05600-00 | WASHER | 1 | |
| 26 | 90119-06MA2-00 | BOLT, WITH WASHER | 1 | |
| 27 | 68F-41114-00-00 | .GASKET, EXHAUST OUTER COVER | 1 | |
| 28 | 68F-41113-00-1S | OUTER COVER, EXHAUST | 1 | |
| 29 | 650-24378-00-00 | .PIPE, JOINT 4 | 1 | |
| 30 | 90119-06MA4-00 | BOLT, WITH WASHER | 23 | |
| 31 | 90445-09M25-00 | HOSE (L600) | 1 | |
| 32 | 90467-08M18-00 | CLIP | 2 | |
| 33 | 6G5-12416-00-00 | VALVE, PRESSURE CONTROL | 1 | |
| 34 | 90501-16M11-00 | SPRING, COMPRESSION | 1 | |
| 35 | 90480-20M05-00 | GROMMET | 1 | |
| 36 | 6G5-11382-A1-00 | .GASKET 2 | 1 | |
| 37 | 6G5-11372-00-1S | COVER, BYPASS 2 | 1 | |
| 38 | 90119-06MA2-00 | BOLT, WITH WASHER | 2 | |
| 39 | 68F-12576-00-00 | HOSE 1 | 1 | |
| 40 | 90467-23M16-00 | CLIP | 2 | |
| 41 | NGK-BKR6E-KU-10 | PLUG, SPARK (NGK BKR6EKU) | 6 | UR (L)Z150 |

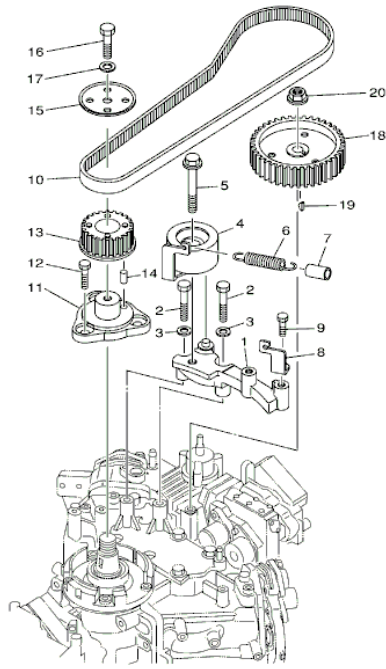
Part Notes

Z150TXRB 2003 / CYLINDER CRANKCASE 2

| PART NUMBER | NOTE TEXT |
|---|---|
| 6E5-12411-30-00  | OEM: This part number is among the Top 100 Most Popular Marine Maintenance Parts as of August 2013. |
| 688-12414-A1-00  | OEM: This part number is among the Top 100 Most Popular Marine Maintenance Parts as of August 2013. |
| 90480-20M05-00  | OEM: This part number is among the Top 100 Most Popular Marine Maintenance Parts as of August 2013. |

©2013 Yamaha Motor Corporation, U.S.A. All rights reserved.

Z150TXRB 2003 / FUEL PUMP DRIVE GEAR



FWD
68F0010-0051

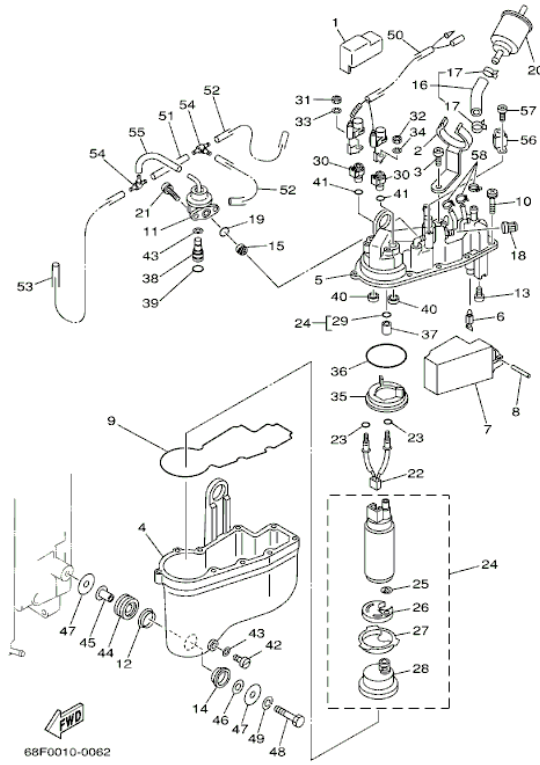
©2013 Yamaha Motor Corporation, U.S.A. All rights reserved.

Part List

Z150TXRB 2003 / FUEL PUMP DRIVE GEAR

| REF - NO | PART NUMBER | PART NAME | QUANTITY | REMARKS |
|----------------|-----------------|--------------------|----------|---------|
| 1 | 68F-11598-00-94 | BRACKET, TENSIONER | 1 | |
| 2 | 97013-08045-00 | BOLT | 2 | |
| 3 | 92903-08600-00 | WASHER, PLATE | 2 | |
| 4 | 68F-11590-00-00 | TENSIONER ASSY | 1 | |
| 5 | 90119-10M72-00 | BOLT, WITH WASHER | 1 | |
| 6 | 90506-16M39-00 | SPRING, TENSION | 1 | |
| 7 | 90445-15M03-00 | HOSE (L23) | 1 | |
| 8 | 68F-11595-00-00 | PLATE, VALVE | 1 | |
| 9 | 97013-08012-00 | BOLT | 1 | |
| 10 | 68F-46241-00-00 | V-BELT | 1 | |
| 11 | 68F-11579-01-94 | COUPLING, FLYWHEEL | 1 | |
| 12 | 97013-08012-00 | BOLT | 3 | |
| 13 | 68F-11536-00-94 | GEAR, DRIVE | 1 | |
| 14 | 93605-10108-00 | PIN, DOWEL | 1 | |
| 15 | 60V-11557-00-00 | WASHER 1 | 1 | |
| 16 | 97095-08025-00 | BOLT | 1 | |
| 17 | 92995-08600-00 | WASHER | 1 | |
| 18 | 68F-11537-00-94 | GEAR, DRIVEN | 1 | |
| 19 | 90280-03M01-00 | .KEY, WOODRUFF | 1 | |
| 20 | 95707-08600-00 | NUT, FLANGE | 1 | |

Z150TXRB 2003 / VAPOR SEPARATOR 1



68F0010-0062

©2013 Yamaha Motor Corporation, U.S.A. All rights reserved.



Part List

Z150TXRB 2003 / VAPOR SEPARATOR 1

| REF - NO | PART NUMBER | PART NAME | QUANTITY | REMARKS |
|----------------|-----------------|------------------------|----------|---------|
| 1 | 68F-13784-00-00 | COVER, PUMP | 1 | |
| 2 | 68F-24216-00-00 | STAY | 1 | |
| 3 | 68F-24473-00-00 | SCREW | 1 | |
| 4 | 66K-14980-00-00 | BODY, FLOAT CHAMBER | 1 | |
| 5 | 68F-14182-01-00 | COVER, FLOAT CHAMBER | 1 | |
| 6 | 65L-14546-00-00 | VALVE, NEEDLE | 1 | |
| 7 | 66K-14985-00-00 | FLOAT | 1 | |
| 8 | 66K-14548-01-00 | PIN, FLOAT ARM | 1 | |
| 9 | 66K-14984-00-00 | GASKET, FLOAT CHAMBER | 1 | |
| 10 | 65L-14125-00-00 | SCREW | 10 | |
| 11 | 68F-13906-00-00 | REGULATOR, PRESSURE | 1 | |
| 12 | 66K-14239-00-00 | SEAL | 3 | |
| 13 | 66K-14325-01-00 | SCREW, PAN HEAD | 2 | |
| 14 | 66K-14163-00-00 | SPACER | 3 | |
| 15 | 65L-13905-00-00 | FILTER COMP | 1 | |
| 16 | 68F-13971-00-00 | PIPE, FUEL 1 | 1 | |
| 17 | 65L-24387-00-00 | .CLIP | 2 | |
| 18 | 65L-14966-00-00 | CAP | 1 | |
| 19 | 65L-24486-00-00 | O-RING | 1 | |
| 20 | 68F-24251-00-00 | STRAINER 1 | 1 | |
| 21 | 66K-14245-00-00 | SCREW, GUIDE | 2 | |
| 22 | 68F-82509-00-00 | WIRE, SUB LEAD | 1 | |
| 23 | 65L-14227-00-00 | O-RING | 2 | |
| 24 | 68F-13907-00-00 | FUEL PUMP COMP. | 1 | |
| 25 | 65L-14159-00-00 | .CLIP | 1 | |
| 26 | 68F-13781-00-00 | .DAMPER, PUMP | 1 | |
| 27 | 68F-13844-00-00 | .PLATE 2 | 1 | |
| 28 | 68F-13915-00-00 | .FILTER | 1 | |
| 29 | 65L-1416A-00-00 | .O-RING | 1 | |
| 30 | 66K-14271-00-00 | INSULATOR | 2 | |
| 31 | 65L-8182A-00-00 | NUT | 1 | |
| 32 | 65L-8182K-00-00 | NUT | 1 | |
| 33 | 65L-8182E-00-00 | WASHER | 1 | |
| 34 | 65L-8182F-00-00 | WASHER | 1 | |
| 35 | 68F-13843-00-00 | PLATE 1 | 1 | |
| 36 | 65L-14147-00-00 | O-RING | 1 | |
| 37 | 68F-14274-00-00 | CONNECTOR | 1 | |
| 38 | 66K-24376-00-00 | PIPE, JOINT 1 | 1 | |
| 39 | 66K-24489-00-00 | O-RING | 1 | |
| 40 | 68F-14271-00-00 | INSULATOR | 2 | |
| 41 | 65L-14397-00-00 | O-RING | 2 | |
| 42 | 65L-14992-00-00 | SCREW, DRAIN | 1 | |
| 43 | 65L-14997-00-00 | SEAL | 2 | |
| 44 | 65L-24375-00-00 | GROMMET | 3 | |
| 45 | 65L-24397-00-00 | COLLAR | 3 | |
| 46 | 65L-24576-00-00 | WASHER | 3 | |
| 47 | 66K-24579-00-00 | WASHER 2 | 6 | |
| 48 | 65L-24592-00-00 | BOLT | 3 | |
| 49 | 65L-24169-00-00 | WASHER, LOCK | 3 | |
| 50 | 68F-82507-00-00 | WIRE, LEAD | 1 | |
| 51 | 66K-13542-00-00 | HOSE, VACUUM SENSING 1 | 1 | |
| 52 | 66K-13544-00-00 | HOSE, VACUUM SENSING 2 | 2 | |
| 53 | 66K-13532-00-00 | HOSE, VACUUM SENSING 3 | 1 | |
| 54 | 65L-24461-00-00 | PIPE, JOINT | 2 | |
| 55 | 66K-13533-00-00 | HOSE, VACUUM SENSING 4 | 1 | |
| 56 | 65L-13898-00-00 | HOLDER | 1 | |
| 57 | 65L-14565-00-00 | SCREW | 1 | |
| 58 | 90465-11M10-00 | CLAMP | 3 | |

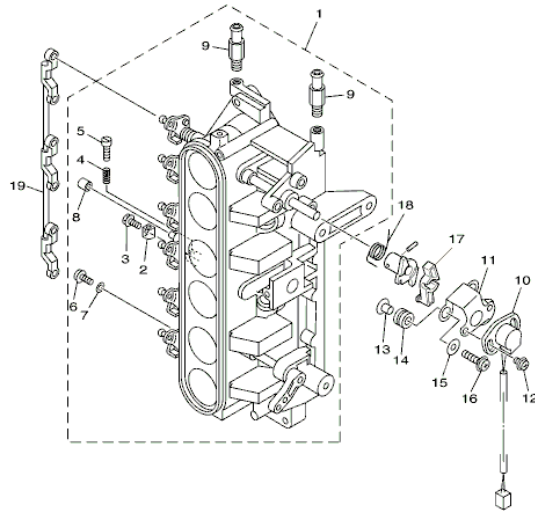
Part Notes

Z150TXRB 2003 / VAPOR SEPARATOR 1

| PART NUMBER | NOTE TEXT |
|---|---|
| 66K-14984-00-00  | OEM: This part number is among the Top 100 Most Popular Marine Maintenance Parts as of August 2013. |
| 68F-13915-00-00  | OEM: This part number is among the Top 100 Most Popular Marine Maintenance Parts as of August 2013. |

©2013 Yamaha Motor Corporation, U.S.A. All rights reserved.

Z150TXRB 2003 / VAPOR SEPARATOR 2




68F2010-3070
Rev. 4-12-2012

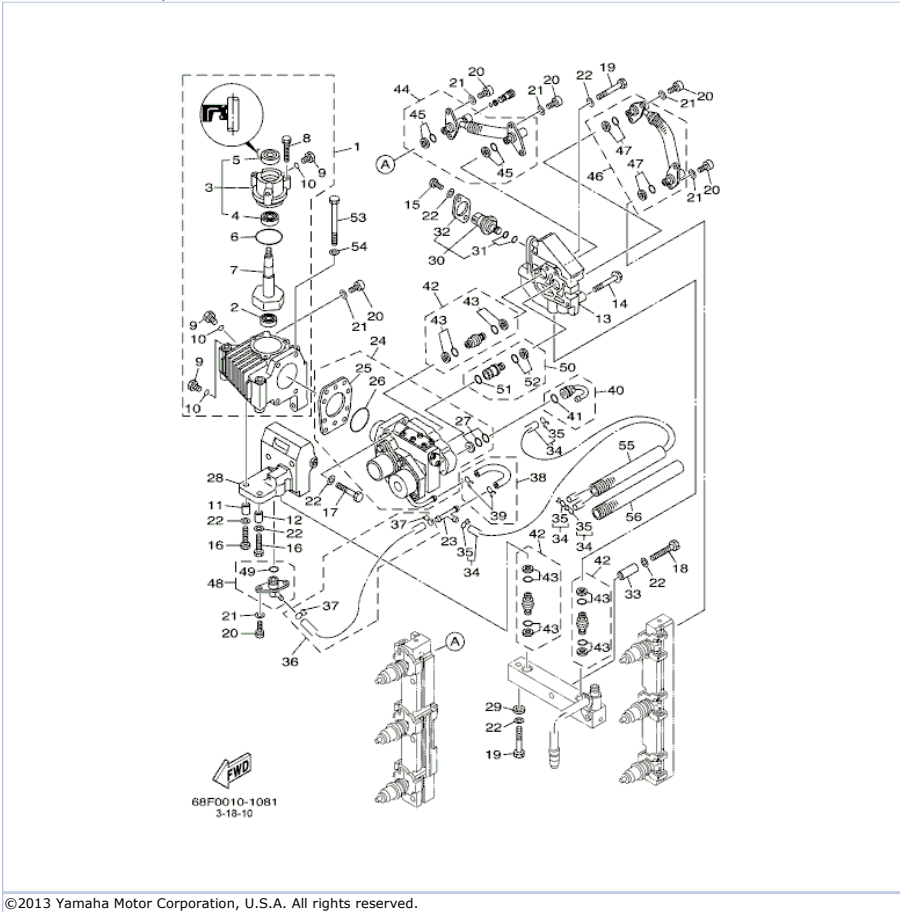
©2013 Yamaha Motor Corporation, U.S.A. All rights reserved.

Part List

Z150TXRB 2003 / VAPOR SEPARATOR 2

| REF - NO | PART NUMBER | PART NAME | QUANTITY | REMARKS |
|----------------|-----------------|------------------------|----------|---------|
| 1 | 68F-13751-00-00 | BODY, THROTTLE 1 | 1 | |
| 2 | 65L-14527-00-00 | .PLATE | 1 | |
| 3 | 65L-14565-00-00 | .SCREW | 1 | |
| 4 | 65L-14334-00-00 | .SPRING, AIR ADJUSTING | 1 | |
| 5 | 65L-14523-00-00 | .SCREW, STOP | 1 | |
| 6 | 6K5-14592-00-00 | .SCREW | 6 | |
| 7 | 90201-05552-00 | .WASHER, PLATE | 6 | |
| 8 | 65L-14578-00-00 | .COLLAR | 1 | |
| 9 | 68F-13568-00-00 | .STUD | 2 | |
| 10 | 61A-85885-00-00 | THROTTLE SENSOR ASSY | 1 | |
| 11 | 6K7-85886-00-00 | BRACKET | 1 | |
| 12 | 97985-05212-00 | SCREW, WITH WASHER | 2 | |
| 13 | 90387-05M00-00 | COLLAR | 3 | |
| 14 | 90480-10M23-00 | GROMMET | 3 | |
| 15 | 65L-14596-00-00 | WASHER | 5 | |
| 16 | 97985-05330-00 | SCREW, WITH WASHER | 3 | |
| 17 | 65L-14573-00-00 | LEVER | 1 | |
| 18 | 65L-14579-00-00 | SPRING | 1 | |
| 19 | 65L-41217-00-00 | ROD, ACCEL. LEVER | 1 | |

Z150TXRB 2003 / FUEL INJECTION PUMP







Part List

Z150TXRB 2003 / FUEL INJECTION PUMP

| REF - NO | PART NUMBER | PART NAME | QUANTITY | REMARKS |
|----------------|-----------------|---------------------|----------|---------|
| 1 | 68F-12170-01-00 | CAMSHAFT ASSY 1 | 1 | |
| 2 | 93306-00001-00 | .BEARING | 1 | |
| 3 | 68F-12173-00-00 | .CAP, CAMSHAFT 1 | 1 | |
| 4 | 93306-001U0-00 | .BEARING | 1 | |
| 5 | 68F-12223-00-00 | ..SEAL | 1 | |
| 6 | 68F-12439-00-00 | .O-RING | 1 | |
| 7 | 68F-12171-00-00 | .CAMSHAFT 1 | 1 | |
| 8 | 68F-12228-00-00 | .BOLT | 3 | |
| 9 | 68F-13455-00-00 | .PLUG | 3 | |
| 10 | 68F-13473-00-00 | .O-RING | 3 | |
| 11 | 68F-24372-00-00 | JOINT | 1 | |
| 12 | 68F-24478-00-00 | JOINT | 1 | |
| 13 | 68F-13993-00-00 | COVER | 1 | |
| 14 | 68F-24592-00-00 | BOLT | 3 | |
| 15 | 68F-13573-00-00 | BOLT 1 | 2 | |
| 16 | 68F-13574-00-00 | BOLT 2 | 2 | |
| 17 | 68F-24176-00-00 | BOLT 1 | 4 | |
| 18 | 68F-12157-00-00 | BOLT | 1 | |
| 19 | 68F-24178-00-00 | BOLT 3 | 3 | |
| 20 | 68F-24551-00-00 | BOLT, JOINT | 11 | |
| 21 | 68F-24576-00-00 | WASHER | 11 | |
| 22 | 68F-24579-00-00 | WASHER 2 | 12 | |
| 23 | 688-24378-00-00 | PIPE, JOINT 3 | 1 | |
| 24 | 68F-13910-00-00 | FUEL PUMP ASSY | 1 | |
| 25 | 68F-14126-00-00 | .GASKET | 1 | |
| 26 | 68F-14005-00-00 | .RING, SEAL | 1 | |
| 27 | 68F-13942-00-00 | .VALVE, OUTLET | 1 | |
| 28 | 68F-24470-00-00 | FUEL REGULATOR ASSY | 1 | |
| 29 | 68F-12443-00-00 | STAY | 1 | |
| 30 | 68F-82380-01-00 | SENSOR, PRESSURE | 1 | |
| 31 | 68F-82384-00-00 | .PACKING KIT | 1 | |
| 32 | 68F-82388-00-00 | .PLATE | 1 | |
| 33 | 68F-24638-00-00 | COLLAR | 1 | |
| 34 | 68F-24312-00-00 | PIPE 2 | 2 | |
| 35 | 68F-24356-00-00 | .CLIP, PIPE 1 | 2 | |
| 36 | 68F-24313-00-00 | PIPE 3 | 1 | |
| 37 | 68F-24356-00-00 | .CLIP, PIPE 1 | 2 | |
| 38 | 68F-24314-00-00 | PIPE 4 | 1 | |
| 39 | 68F-24356-00-00 | .CLIP, PIPE 1 | 2 | |
| 40 | 68F-13758-00-00 | PIPE, JOINT | 1 | |
| 41 | 68F-24486-00-00 | .O-RING | 1 | |
| 42 | 68F-13815-00-00 | JOINT 1 | 3 | |
| 43 | 68F-2466A-00-00 | .PACKING KIT | 2 | |
| 44 | 68F-13973-00-00 | PIPE, FUEL 3 | 1 | |
| 45 | 68F-2466A-00-00 | .PACKING KIT | 2 | |
| 46 | 68F-13974-00-00 | PIPE, FUEL 4 | 1 | |
| 47 | 68F-2466A-00-00 | .PACKING KIT | 2 | |
| 48 | 68F-24474-00-00 | COVER | 1 | |
| 49 | 68F-24486-00-00 | .O-RING | 1 | |
| 50 | 68F-13816-00-00 | JOINT 2 | 1 | |
| 51 | 68F-24486-00-00 | .O-RING | 1 | |
| 52 | 68F-2466A-00-00 | .PACKING KIT | 1 | |
| 53 | 97013-08070-00 | BOLT | 3 | |
| 54 | 92903-08600-00 | WASHER, PLATE | 3 | |
| 55 | 90446-24MF4-00 | HOSE | 1 | |
| 56 | 90446-20MF5-00 | HOSE (L320) | 1 | |

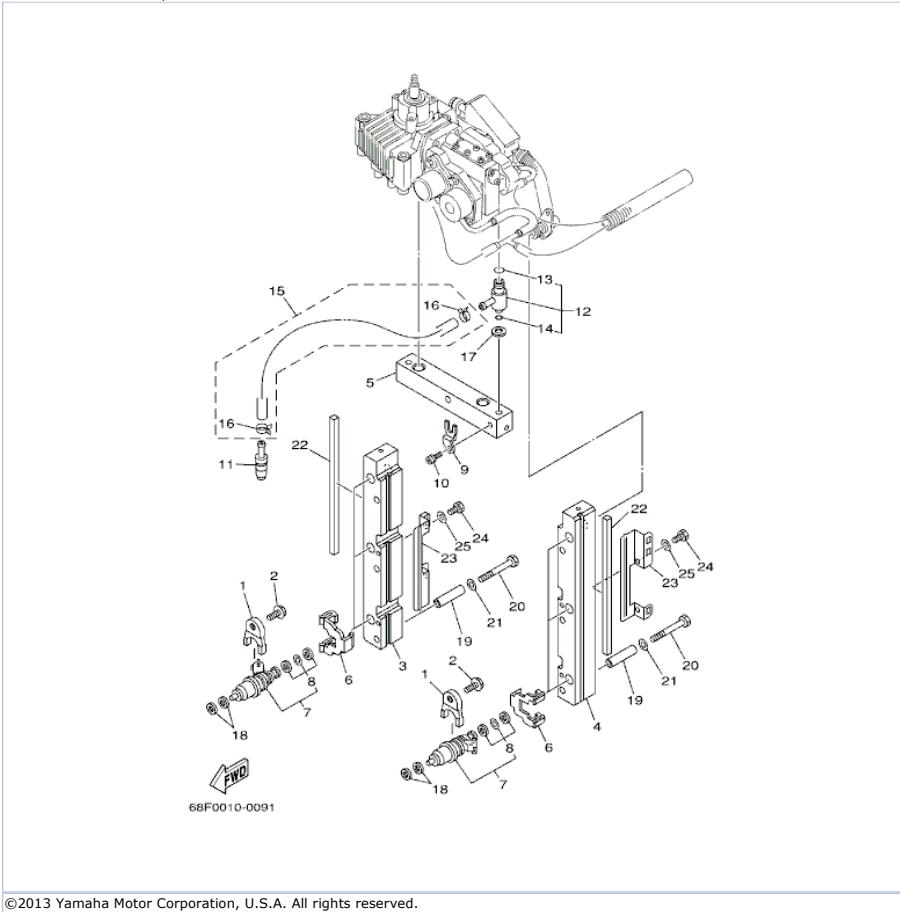
Part Notes

Z150TXRB 2003 / FUEL INJECTION PUMP

| PART NUMBER | NOTE TEXT |
|-----------------|--|
| 68F-2466A-00-00 |  OEM: The contents of this packing kit have changed. The kit now has only 2 parts, instead of 3 parts, for each side of the joint. A total of 4 parts are in each kit, 2 rubber o-rings and two fiber washers. Th |
| 68F-2466A-00-00 |  OEM: The contents of this packing kit have changed. The kit now has only 2 parts, instead of 3 parts, for each side of the joint. A total of 4 parts are in each kit, 2 rubber o-rings and two fiber washers. Th |
| 68F-2466A-00-00 |  OEM: The contents of this packing kit have changed. The kit now has only 2 parts, instead of 3 parts, for each side of the joint. A total of 4 parts are in each kit, 2 rubber o-rings and two fiber washers. Th |
| 68F-2466A-00-00 |  OEM: The contents of this packing kit have changed. The kit now has only 2 parts, instead of 3 parts, for each side of the joint. A total of 4 parts are in each kit, 2 rubber o-rings and two fiber washers. Th |

©2013 Yamaha Motor Corporation, U.S.A. All rights reserved.

Z150TXRB 2003 / FUEL INJECTION NOZZLE




Part List

Z150TXRB 2003 / FUEL INJECTION NOZZLE

| REF - NO | PART NUMBER | PART NAME | QUANTITY | REMARKS |
|----------------|-----------------|--------------------|----------|---------|
| 1 | 68F-13767-00-00 | CAP, INJECTOR | 6 | |
| 2 | 90119-08M60-00 | BOLT, WITH WASHER | 6 | |
| 3 | 68F-13161-00-00 | PIPE, DELIVERY 1 | 1 | |
| 4 | 68F-13171-00-00 | PIPE, DELIVERY 2 | 1 | |
| 5 | 68F-13938-00-00 | PIPE | 1 | |
| 6 | 68F-13898-00-00 | HOLDER | 6 | |
| 7 | 68F-13761-00-00 | INJECTOR | 6 | |
| 8 | 68F-14108-00-00 | .PACKING KIT | 1 | |
| 9 | 68F-13853-00-00 | PLATE 3 | 1 | |
| 10 | 68F-24453-00-00 | SCREW | 1 | |
| 11 | 68F-24300-00-00 | FUEL PIPE JOINT | 1 | |
| 12 | 68F-13595-00-00 | JOINT | 1 | |
| 13 | 68F-24479-00-00 | .O-RING | 1 | |
| 14 | 68F-24489-00-00 | .O-RING | 1 | |
| 15 | 68F-13972-00-00 | PIPE, FUEL 2 | 1 | |
| 16 | 65L-24387-00-00 | .CLIP | 2 | |
| 17 | 68F-24174-00-00 | SPACER 1 | 1 | |
| 18 | 68F-13764-00-00 | GASKET (T=2.2) | 12 | |
| 19 | 68F-13716-00-00 | COLLAR | 4 | |
| 20 | 97013-08055-00 | BOLT | 6 | |
| 21 | 92903-08600-00 | WASHER, PLATE | 6 | |
| 22 | 68F-24111-00-00 | DAMPER, SIDE COVER | 2 | |
| 23 | 68F-82544-00-00 | CLAMP | 2 | |
| 24 | 97013-06012-00 | BOLT | 2 | |
| 25 | 92903-06600-00 | WASHER, PLATE | 2 | |

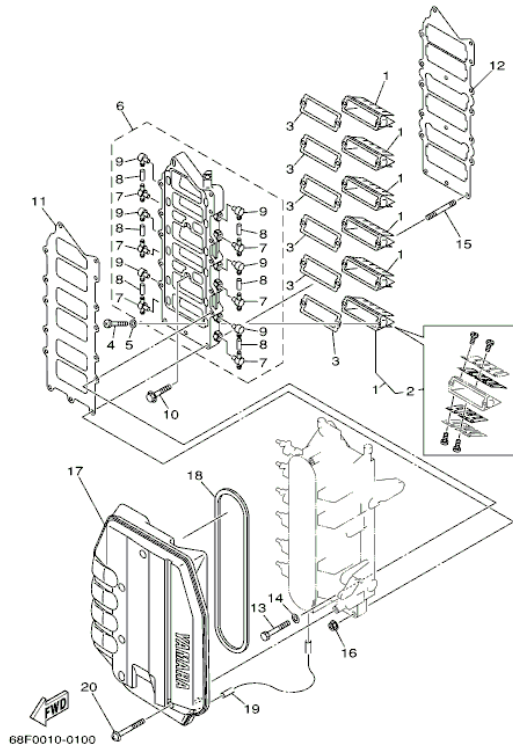
Part Notes

Z150TXRB 2003 / FUEL INJECTION NOZZLE

| PART NUMBER | NOTE TEXT |
|---|---|
| 68F-13764-00-00  | OEM: This part number is among the Top 100 Most Popular Marine Maintenance Parts as of August 2013. |

©2013 Yamaha Motor Corporation, U.S.A. All rights reserved.

Z150TXRB 2003 / INTAKE



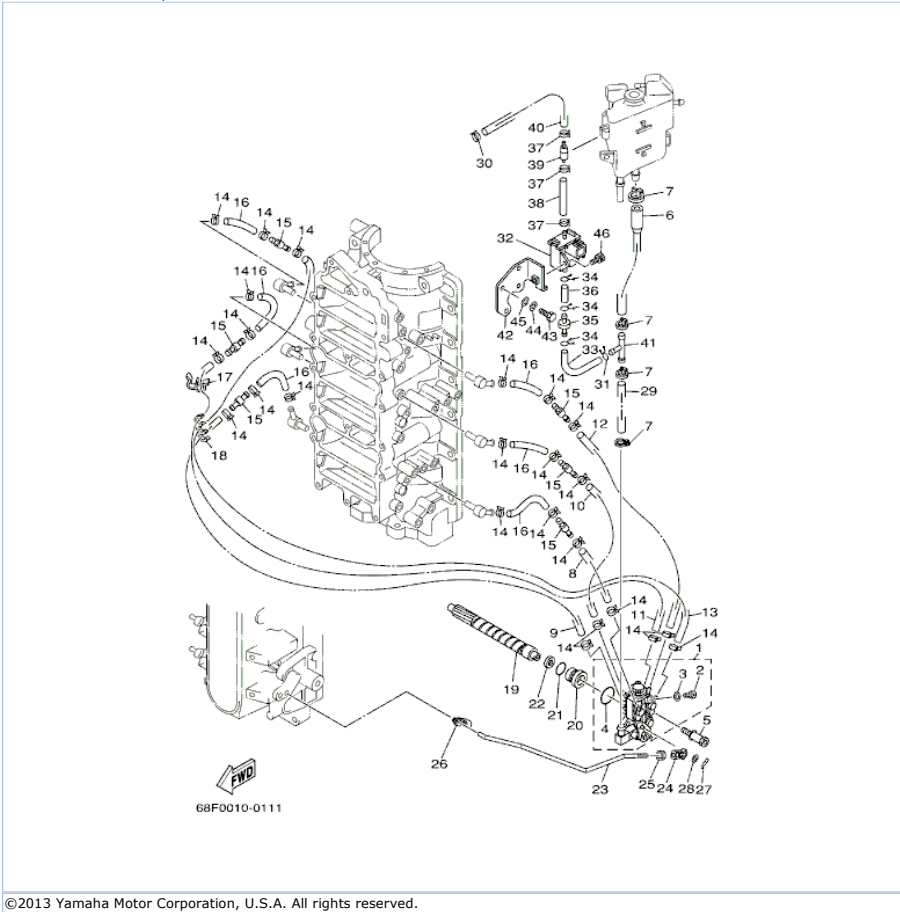
©2013 Yamaha Motor Corporation, U.S.A. All rights reserved.

Part List

Z150TXRB 2003 / INTAKE

| REF - NO | PART NUMBER | PART NAME | QUANTITY | REMARKS |
|----------------|-----------------|-----------------------|----------|------------------|
| 1 | 68H-13610-00-00 | REED VALVE ASSY | 6 | UR (L)Z150, Z175 |
| 2 | 65J-W0004-01-00 | .REED SET | 1 | |
| 3 | 61A-13621-A0-00 | .GASKET, VALVE SEAT | 6 | |
| 4 | 97880-05016-00 | SCREW, PAN HEAD | 12 | |
| 5 | 92990-05600-00 | WASHER, PLATE | 12 | |
| 6 | 68F-13624-00-1S | PLATE, REED VALVE | 1 | |
| 7 | 6F6-11372-00-00 | .NIPPLE, HOSE | 6 | |
| 8 | 90445-07M03-00 | .HOSE (L34) | 6 | |
| 9 | 650-11370-01-00 | .CHECK VALVE ASSY | 6 | |
| 10 | 90105-06028-00 | BOLT, FLANGE | 2 | |
| 11 | 65L-13646-00-00 | .GASKET, MANIFOLD 2 | 1 | |
| 12 | 65L-13645-00-00 | .GASKET, MANIFOLD 1 | 1 | |
| 13 | 97013-06060-00 | BOLT | 11 | |
| 14 | 92903-06600-00 | WASHER, PLATE | 11 | |
| 15 | 95670-06660-00 | BOLT, STUD | 2 | |
| 16 | 90179-06M24-00 | NUT | 2 | |
| 17 | 67H-14440-00-00 | SILENCER ASSY, INTAKE | 1 | |
| 18 | 65L-14483-00-00 | .GASKET | 1 | |
| 19 | 90445-07M44-00 | HOSE (L250) | 1 | |
| 20 | 90159-06M16-00 | SCREW, WITH WASHER | 6 | |

Z150TXRB 2003 / OIL PUMP



©2013 Yamaha Motor Corporation, U.S.A. All rights reserved.



Part List

Z150TXRB 2003 / OIL PUMP

| REF - NO | PART NUMBER | PART NAME | QUANTITY | REMARKS |
|----------------|-----------------|------------------------------|----------|------------|
| 1 | 68L-13200-00-00 | OIL INJECTION PUMP ASSY | 1 | UR Z175 |
| 1 | 68H-13200-00-00 | OIL INJECTION PUMP ASSY | 1 | UR (L)Z150 |
| 2 | 6R3-13471-00-00 | .PLUG, DRAIN | 1 | |
| 3 | 6L2-13475-00-00 | .GASKET | 1 | |
| 4 | 93210-19M82-00 | .O-RING | 1 | |
| 5 | 90109-06M40-00 | BOLT | 2 | |
| 6 | 6G5-13416-00-00 | PIPE, OIL 1 | 1 | |
| 7 | 90465-11M10-00 | CLAMP | 4 | |
| 8 | 90445-07M00-00 | HOSE (L100) | 1 | |
| 9 | 90445-07M09-00 | HOSE (L380) | 1 | |
| 10 | 90445-07MA5-00 | HOSE (L150) | 1 | |
| 11 | 90445-07M10-00 | HOSE (L510) | 1 | |
| 12 | 90445-07MA4-00 | HOSE (L280) | 1 | |
| 13 | 90445-07M80-00 | HOSE (L660) | 1 | |
| 14 | 90468-07M02-00 | CLIP | 24 | |
| 15 | 6R3-13183-00-00 | VALVE, CHECK | 6 | |
| 16 | 90445-07M04-00 | HOSE (L50) | 6 | |
| 17 | 90464-07M20-00 | CLAMP | 1 | |
| 18 | 90464-07M05-00 | CLAMP | 1 | |
| 19 | 6R3-11537-00-00 | GEAR, DRIVEN | 1 | |
| 20 | 6R3-13117-00-00 | COLLAR, DISTANCE | 1 | |
| 21 | 93210-13M04-00 | O-RING | 1 | |
| 22 | 90202-08M44-00 | WASHER, PLATE | 1 | |
| 23 | 67H-41241-00-00 | ROD, LINK | 1 | |
| 24 | 6H1-41237-00-00 | JOINT, LINK | 1 | |
| 25 | 95380-05600-00 | NUT | 1 | |
| 26 | 6R5-41237-00-00 | JOINT, LINK | 1 | |
| 27 | 90468-05M03-00 | CLIP | 1 | |
| 28 | 90202-05088-00 | WASHER, PLATE | 1 | |
| 29 | 90445-12M14-00 | HOSE (L50) | 1 | |
| 30 | 90468-07M02-00 | CLIP | 1 | |
| 31 | 90467-08M18-00 | CLIP | 1 | |
| 32 | 68F-13100-00-00 | SOLENOID PUMP ASSY | 1 | |
| 33 | 68F-13418-00-00 | HOSE 4 | 1 | |
| 34 | 68F-13184-00-00 | SPRING, OIL PIPE | 3 | |
| 35 | 68F-13440-00-00 | FILTER ASSY | 1 | |
| 36 | 68F-1316F-00-00 | HOSE 1 | 1 | |
| 37 | 68F-13133-00-00 | CLIP | 3 | |
| 38 | 68F-1316G-00-00 | HOSE 2 | 1 | |
| 39 | 68F-1316A-00-00 | CHECK VALVE ASSY | 1 | |
| 40 | 68F-13416-00-00 | HOSE 3 | 1 | |
| 41 | 68F-14485-00-00 | PIPE, JOINT | 1 | |
| 42 | 68F-1319K-00-00 | PLATE | 1 | |
| 43 | 97095-06020-00 | BOLT | 2 | |
| 44 | 92995-06100-00 | WASHER, SPRING | 2 | |
| 45 | 92995-06600-00 | WASHER | 2 | |
| 46 | 90110-06M06-00 | BOLT, HEXAGON SOCKET HEAD | 1 | |

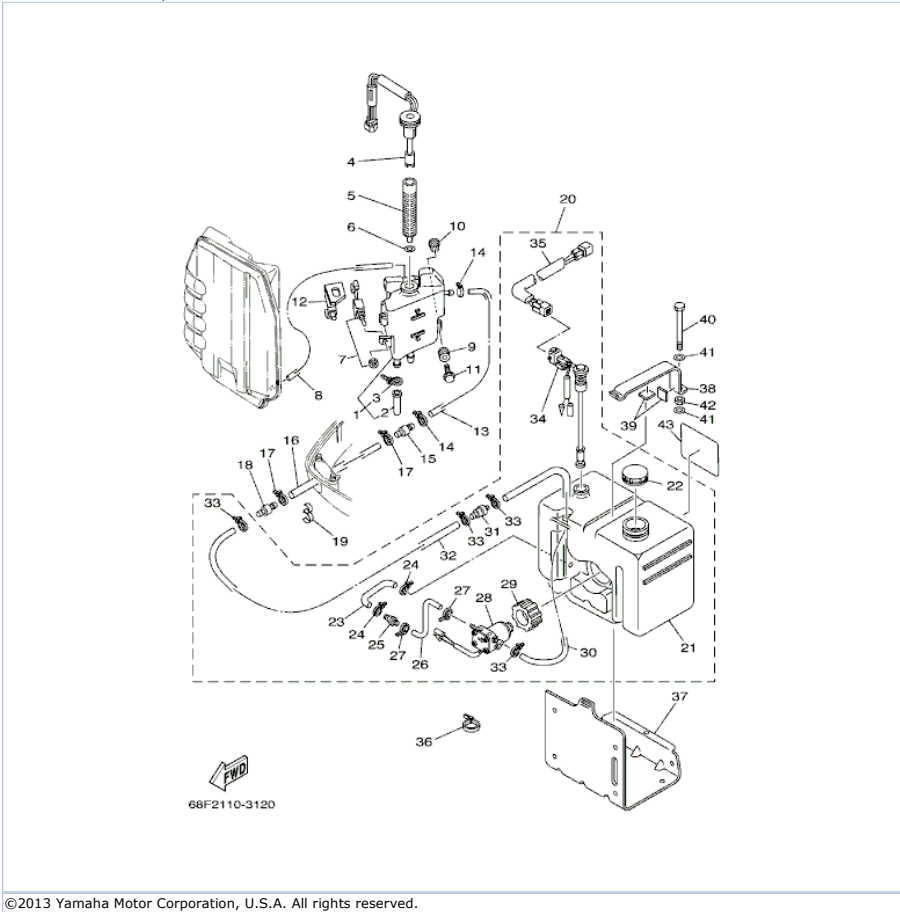
Part Notes

Z150TXRB 2003 / OIL PUMP

| PART NUMBER | NOTE TEXT |
|---|---|
| 6H1-41237-00-00  | OEM: This part number is among the Top 100 Most Popular Marine Maintenance Parts as of August 2013. |
| 92995-06100-00  | OEM: This part number is among the Top 100 Most Popular Marine Maintenance Parts as of August 2013. |

©2013 Yamaha Motor Corporation, U.S.A. All rights reserved.

Z150TXRB 2003 / OIL TANK





Part List

Z150TXRB 2003 / OIL TANK

| REF - NO | PART NUMBER | PART NAME | QUANTITY | REMARKS |
|----------|-----------------|------------------------|----------|---------|
| 1 | 68F-21750-00-00 | OIL TANK ASSY | 1 | |
| 2 | 6E5-13448-00-00 | .CAP | 1 | |
| 3 | 90465-13M11-00 | .CLAMP | 1 | |
| 4 | 67H-85730-01-00 | OIL LEVEL GAUGE ASSY | 1 | |
| 5 | 6E5-13411-00-00 | STRAINER, OIL | 1 | |
| 6 | 6E5-13414-00-00 | GASKET, STRAINER COVER | 1 | |
| 7 | 6R3-8259E-00-00 | SWITCH ASSY | 1 | |
| 8 | 90445-07M43-00 | HOSE (L600) | 1 | |
| 9 | 6A0-82317-00-00 | DAMPER, IGNITION COIL | 3 | |
| 10 | 624-42542-00-00 | PIPE | 2 | |
| 11 | 90119-06M65-00 | BOLT, WITH WASHER | 3 | |
| 12 | 90465-12M92-00 | CLAMP | 1 | |
| 13 | 6E5-24323-00-00 | PIPE 12 | 1 | |
| 14 | 90465-11M10-00 | CLAMP | 2 | |
| 15 | 6E5-24379-00-00 | PIPE, JOINT 4 | 1 | |
| 16 | 90445-12207-00 | HOSE (L2400) | 1 | |
| 17 | 90465-11M10-00 | CLAMP | 2 | |
| 18 | 6E5-24379-00-00 | PIPE, JOINT 4 | 1 | |
| 19 | 90464-13M34-00 | CLAMP | 1 | |
| 20 | 61A-21708-20-00 | SUB OIL TANK ASSY | 1 | AP |
| 21 | 6E5-21733-20-00 | .SUB TANK, OIL (105L) | 1 | |
| 22 | 6E5-21770-03-00 | .OIL TANK CAP ASSY | 1 | |
| 23 | 6E5-24322-00-00 | .PIPE 11 | 1 | |
| 24 | 90465-11M10-00 | .CLAMP | 2 | |
| 25 | 646-24251-02-00 | .STRAINER 1 | 1 | |
| 26 | 6E5-24319-01-00 | .PIPE, OIL | 1 | |
| 27 | 90465-11M10-00 | .CLAMP | 2 | |
| 28 | 6E5-81900-01-00 | .OIL FEED PUMP ASSY | 1 | |
| 29 | 6E5-81922-00-00 | .GROMMET | 1 | |
| 30 | 6E5-24321-01-00 | .PIPE 10 | 1 | |
| 31 | 6E5-24379-00-00 | .PIPE, JOINT 4 | 1 | |
| 32 | 90445-11M26-00 | .HOSE (L6500) | 1 | |
| 33 | 90465-11M10-00 | .CLAMP | 4 | |
| 34 | 6E5-85720-04-00 | .OIL LEVEL GAUGE ASSY | 1 | |
| 35 | 6R3-85721-80-00 | .WIRE, LEAD (L=80M) | 1 | |
| 36 | 90465-13M11-00 | CLAMP | 1 | AP |
| 37 | 6E5-21734-01-33 | HOLDER, OIL SUB TANK | 1 | AP |
| 38 | 6E5-21798-01-33 | BRACKET, DAMPER | 1 | AP |
| 39 | 6E5-21746-00-00 | DAMPER | 2 | AP |
| 40 | 97080-06100-00 | BOLT | 1 | AP |
| 41 | 92990-06600-00 | WASHER, PLATE | 2 | AP |
| 42 | 95380-06600-00 | NUT, HEXAGON | 1 | AP |
| 43 | 6E5-13437-43-00 | MARK, CAUTION | 1 | |

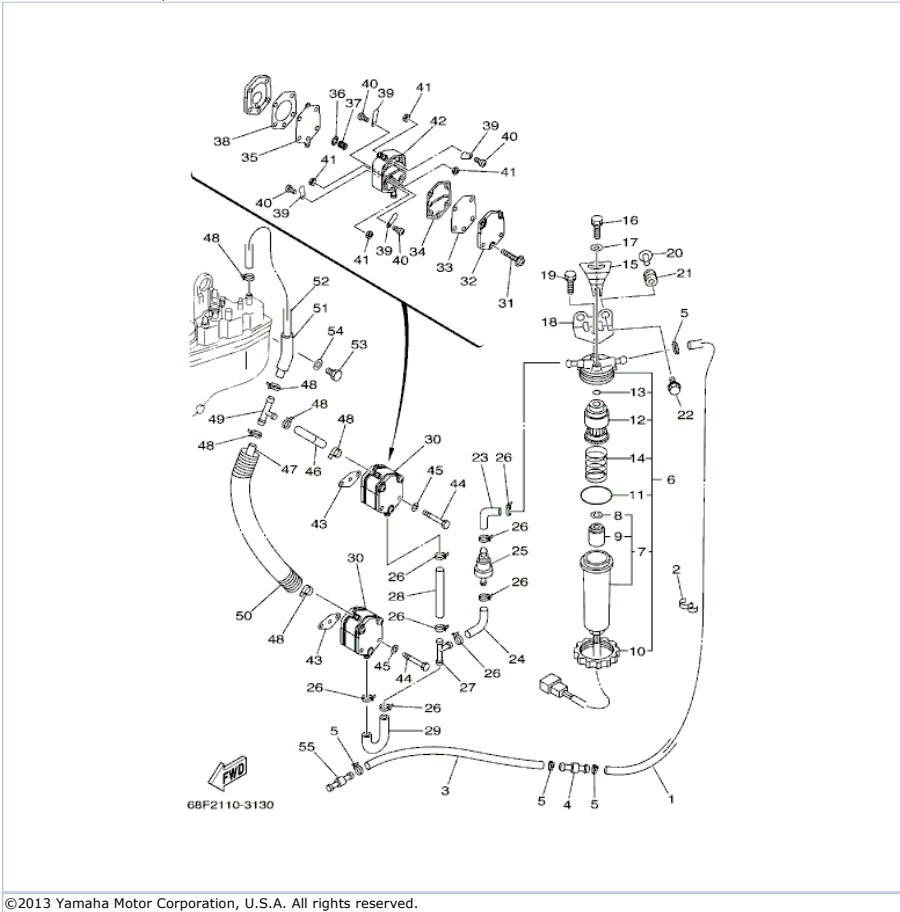
Part Notes

Z150TXRB 2003 / OIL TANK

| PART NUMBER | NOTE TEXT |
|---|---|
| 646-24251-02-00  | OEM: This part number is among the Top 100 Most Popular Marine Maintenance Parts as of August 2013. |
| 92990-06600-00  | OEM: This part number is among the Top 100 Most Popular Marine Maintenance Parts as of August 2013. |

©2013 Yamaha Motor Corporation, U.S.A. All rights reserved.

Z150TXRB 2003 / FUEL 1








Part List

Z150TXRB 2003 / FUEL 1

| REF - NO | PART NUMBER | PART NAME | QUANTITY | REMARKS |
|----------------|-----------------|----------------------|----------|---------|
| 1 | 61A-24313-00-00 | PIPE 3 | 1 | |
| 2 | 90464-13M34-00 | CLAMP | 1 | |
| 3 | 90445-13M17-00 | HOSE (L2700) | 1 | |
| 4 | 6R3-24377-00-00 | PIPE, JOINT 2 | 1 | |
| 5 | 90465-11M10-00 | CLAMP | 4 | |
| 6 | 68F-24560-00-00 | FILTER ASSY | 1 | |
| 7 | 68F-24562-00-00 | .CUP, FILTER | 1 | |
| 8 | 68F-24519-00-00 | ..CLIP | 1 | |
| 9 | 68F-24469-00-00 | ..FLOAT, WATER LEVEL | 1 | |
| 10 | 65L-24531-01-00 | .NUT | 1 | |
| 11 | 61A-24564-00-00 | .O-RING | 1 | |
| 12 | 68F-24563-00-00 | .ELEMENT, FILTER | 1 | |
| 13 | 65L-24564-00-00 | .O-RING | 1 | |
| 14 | 68F-24567-00-00 | .SPRING | 1 | |
| 15 | 65L-24558-00-00 | HOLDER, FILTER | 1 | |
| 16 | 97595-06416-00 | BOLT, WITH WASHER | 1 | |
| 17 | 90201-06068-00 | WASHER, PLATE | 1 | |
| 18 | 68F-24566-00-00 | BRACKET, FILTER | 1 | |
| 19 | 97595-06514-00 | BOLT, WITH WASHER | 1 | |
| 20 | 90387-06M60-00 | COLLAR | 2 | |
| 21 | 90480-10M23-00 | GROMMET | 2 | |
| 22 | 90119-06M88-00 | BOLT, WITH WASHER | 2 | |
| 23 | 61A-24311-00-00 | PIPE, FUEL 1 | 1 | |
| 24 | 61U-24316-00-00 | PIPE 6 | 1 | |
| 25 | 6R5-24408-00-00 | FUEL FEED ASSY | 1 | |
| 26 | 90465-11M10-00 | CLAMP | 8 | |
| 27 | 6E5-24378-00-00 | PIPE, JOINT 3 | 1 | |
| 28 | 90445-13M31-00 | HOSE (L85) | 1 | |
| 29 | 67H-24311-00-00 | PIPE, FUEL 1 | 1 | |
| 30 | 6E5-24410-03-00 | FUEL PUMP ASSY | 2 | |
| 31 | 6E5-24444-00-00 | .SCREW | 3 | |
| 32 | 6E5-24413-00-00 | .BODY 2 | 1 | |
| 33 | 6E5-24471-00-00 | .DIAPHRAGM | 1 | |
| 34 | 6E5-24435-00-00 | .GASKET, BODY 2 | 1 | |
| 35 | 6E5-24411-00-00 | .DIAPHRAGM | 1 | |
| 36 | 648-24424-00-00 | .SEAT, SPRING | 1 | |
| 37 | 6E5-24423-00-00 | .SPRING, DIAPHRAGM | 1 | |
| 38 | 6E5-24434-02-00 | .GASKET, BODY | 1 | |
| 39 | 6A0-24421-01-00 | .VALVE, CHECK | 4 | |
| 40 | 6A0-14325-00-00 | .SCREW, PAN HEAD | 4 | |
| 41 | 95380-03600-00 | .NUT | 4 | |
| 42 | 6E5-24412-10-00 | .BODY 1 | 1 | |
| 43 | 650-24431-A0-00 | GASKET, FUEL PUMP 1 | 2 | |
| 44 | 97095-06050-00 | BOLT | 4 | |
| 45 | 92995-06600-00 | WASHER | 4 | |
| 46 | 61U-24316-00-00 | PIPE 6 | 1 | |
| 47 | 6E5-24313-00-00 | PIPE 3 | 1 | |
| 48 | 90465-11M10-00 | CLAMP | 6 | |
| 49 | 6E5-24378-00-00 | PIPE, JOINT 3 | 1 | |
| 50 | 6H1-83557-00-00 | TUBE | 1 | |
| 51 | 90446-15M07-00 | HOSE (L60) | 1 | |
| 52 | 90445-13M12-00 | HOSE (L235) | 1 | |
| 53 | 97095-06012-00 | BOLT | 1 | |
| 54 | 92995-06600-00 | WASHER | 1 | |
| 55 | 6R3-24377-10-00 | PIPE, JOINT 2 | 1 | |

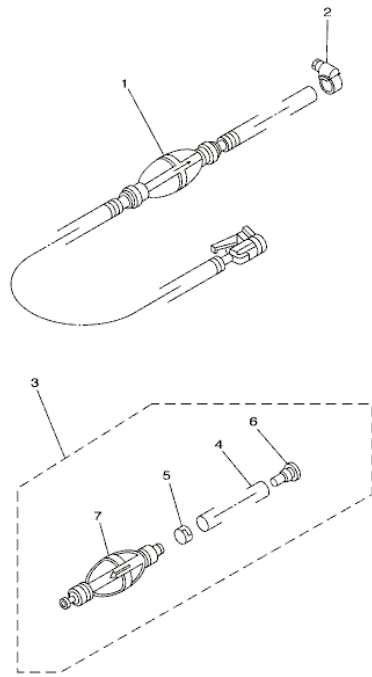
Part Notes

Z150TXRB 2003 / FUEL 1

| PART NUMBER | NOTE TEXT |
|---|---|
| 61A-24564-00-00  | OEM: This part number is among the Top 100 Most Popular Marine Maintenance Parts as of August 2013. |
| 68F-24563-00-00  | OEM: This part number is among the Top 100 Most Popular Marine Maintenance Parts as of August 2013. |
| 65L-24564-00-00  | OEM: This part number is among the Top 100 Most Popular Marine Maintenance Parts as of August 2013. |
| 6E5-24410-03-00  | OEM: This part number is among the Top 100 Most Popular Marine Maintenance Parts as of August 2013. |
| 650-24431-A0-00  | OEM: This part number is among the Top 100 Most Popular Marine Maintenance Parts as of August 2013. |

©2013 Yamaha Motor Corporation, U.S.A. All rights reserved.

Z150TXRB 2003 / FUEL 2



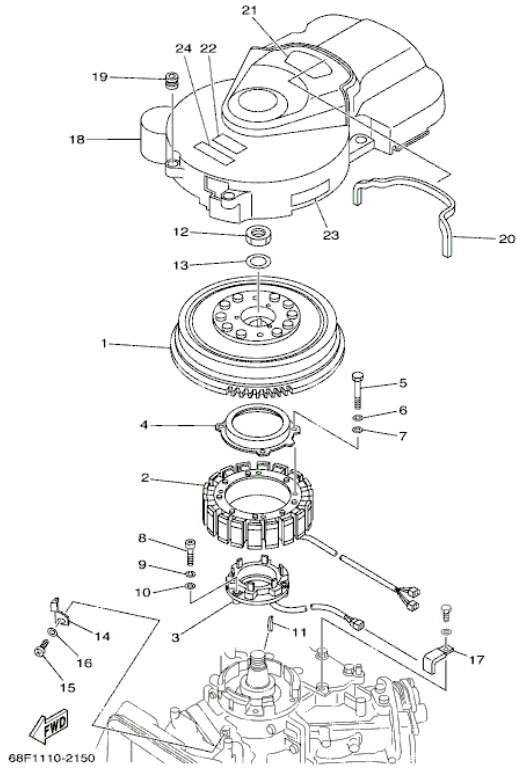
 68F1100-2140

Part List

Z150TXRB 2003 / FUEL 2

| REF - NO | PART NUMBER | PART NAME | QUANTITY | REMARKS |
|----------------|-----------------|-------------------|----------|---------------------|
| 1 | 6YK-24307-42-00 | FUEL PIPE COMP. 2 | 1 | AP Z150, Z175, Z200 |
| 2 | 90450-10M07-00 | HOSE CLAMP ASSY | 1 | AP Z150, Z175, Z200 |
| 3 | 6Y2-24307-41-00 | FUEL PIPE COMP. 2 | 1 | AP LZ150, LZ200 |
| 4 | 90445-13M01-00 | .HOSE (L2050) | 1 | |
| 5 | 6E5-24351-51-00 | .BAND 1 | 1 | |
| 6 | 90480-06M19-00 | .GROMMET | 1 | |
| 7 | 6Y2-24360-52-00 | .PRIMER PUMP ASSY | 1 | |

Z150TXRB 2003 / GENERATOR



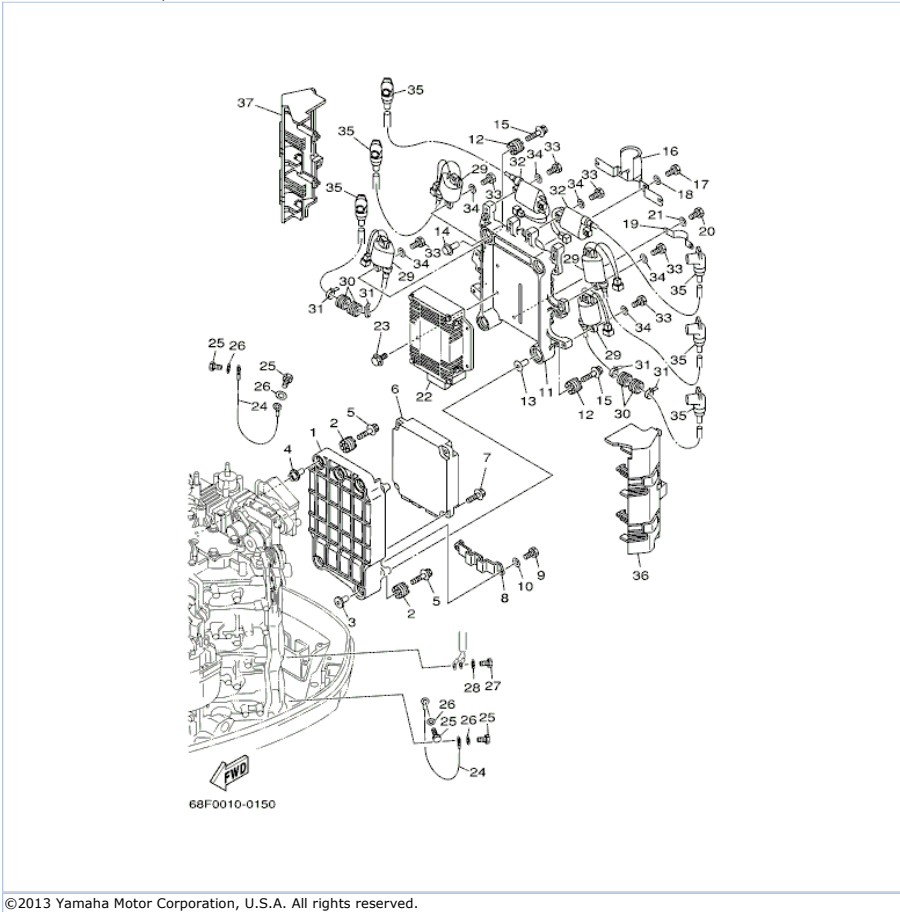
©2013 Yamaha Motor Corporation, U.S.A. All rights reserved.

Part List

Z150TXRB 2003 / GENERATOR

| REF - NO | PART NUMBER | PART NAME | QUANTITY | REMARKS |
|----------------|-----------------|-----------------------|----------|--------------|
| 1 | 68F-81450-00-00 | ROTOR ASSY | 1 | |
| 2 | 68F-81410-00-00 | STATOR ASSY | 1 | |
| 3 | 68F-85580-00-00 | COIL, PULSER | 1 | |
| 4 | 61A-83721-00-00 | COVER | 1 | |
| 5 | 97013-06035-00 | BOLT | 4 | |
| 6 | 92903-06100-00 | WASHER, SPRING | 4 | |
| 7 | 92903-06600-00 | WASHER, PLATE | 4 | |
| 8 | 97885-05030-00 | SCREW, PAN HEAD | 3 | |
| 9 | 92995-05100-00 | WASHER | 3 | |
| 10 | 92995-05600-00 | WASHER | 3 | |
| 11 | 90280-05015-00 | KEY, WOODRUFF | 1 | |
| 12 | 90170-24M22-00 | NUT | 1 | |
| 13 | 90201-25M02-00 | WASHER, PLATE | 1 | |
| 14 | 6E5-81332-00-00 | PLATE, TIMING | 1 | |
| 15 | 97885-06010-00 | SCREW, PAN HEAD | 1 | |
| 16 | 92995-06600-00 | WASHER | 1 | |
| 17 | 90465-08M23-00 | CLAMP | 2 | |
| 18 | 68F-81337-00-00 | COVER, FLYWHEEL | 1 | |
| 19 | 663-82317-01-00 | DAMPER, IGNITION COIL | 4 | |
| 20 | 68F-85547-01-00 | DAMPER | 1 | |
| 21 | 68F-14488-00-00 | LABEL, CAUTION | 1 | |
| 22 | 6A1-83625-41-00 | MARK 5 | 1 | |
| 23 | 6E5-85711-40-00 | MARK, CAUTION | 1 | |
| 24 | 6K1-83623-41-00 | MARK 3 | 1 | LZ150, LZ200 |

Z150TXRB 2003 / ELECTRICAL 1



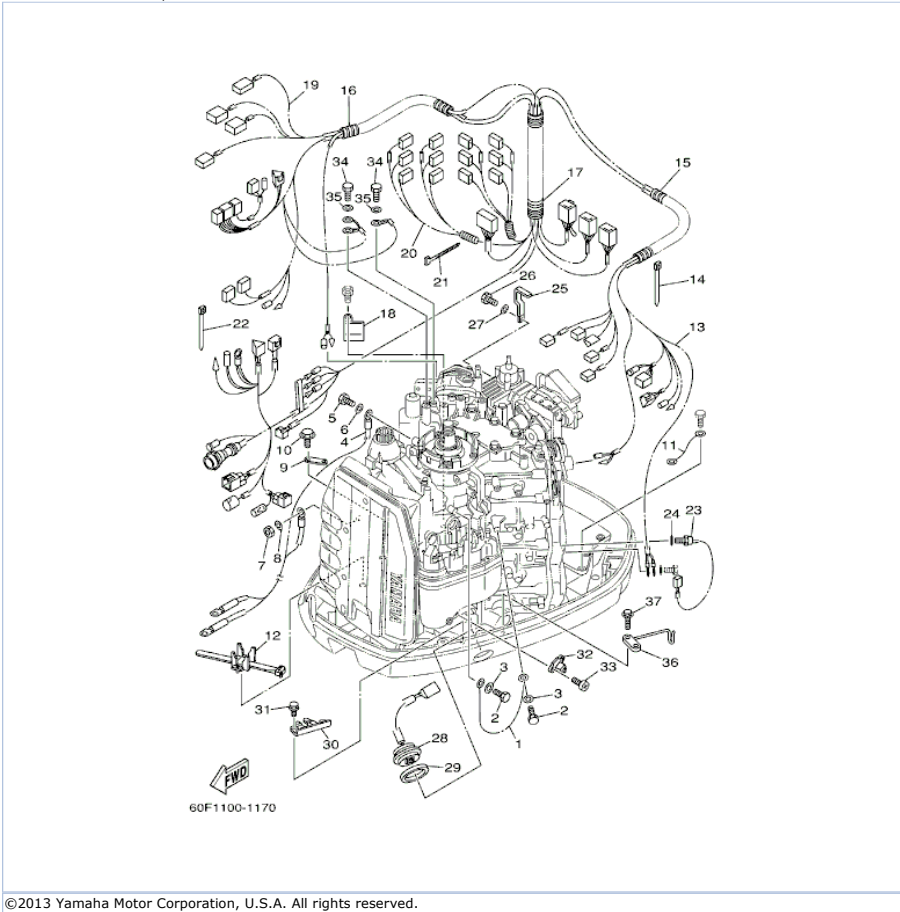
©2013 Yamaha Motor Corporation, U.S.A. All rights reserved.

Part List

Z150TXRB 2003 / ELECTRICAL 1

| REF - NO | PART NUMBER | PART NAME | QUANTITY | REMARKS |
|----------------|-----------------|-----------------------------|----------|--------------|
| 1 | 68F-85542-00-94 | BRACKET | 1 | |
| 2 | 68F-85516-01-00 | SPACER | 5 | |
| 3 | 68F-86129-00-00 | COLLAR | 3 | |
| 4 | 68F-86129-10-00 | COLLAR | 2 | |
| 5 | 68F-85119-00-00 | BOLT | 5 | |
| 6 | 68F-8591A-20-00 | ENGINE CONTROL UNIT ASSY | 1 | UR (L)Z200-X |
| 6 | 68H-8591A-10-00 | ENGINE CONTROL UNIT ASSY | 1 | UR (L)Z150-X |
| 6 | 68J-8591A-10-00 | ENGINE CONTROL UNIT ASSY | 1 | UR Z150-L |
| 6 | 68L-8591A-10-00 | ENGINE CONTROL UNIT ASSY | 1 | UR Z175-X |
| 7 | 90119-06MA3-00 | BOLT, WITH WASHER | 4 | |
| 8 | 68F-85548-01-00 | HOLDER | 1 | |
| 9 | 97013-06014-00 | BOLT | 2 | |
| 10 | 92903-06600-00 | WASHER, PLATE | 2 | |
| 11 | 68F-85142-00-94 | BRACKET, REFLECTOR 2 | 1 | |
| 12 | 68F-85516-01-00 | SPACER | 4 | |
| 13 | 68F-86129-00-00 | COLLAR | 2 | |
| 14 | 68F-86129-10-00 | COLLAR | 2 | |
| 15 | 68F-85119-00-00 | BOLT | 4 | |
| 16 | 68F-85599-00-00 | COVER | 1 | |
| 17 | 97013-06012-00 | BOLT | 2 | |
| 18 | 92903-06600-00 | WASHER, PLATE | 2 | |
| 19 | 68F-85644-00-00 | PLATE | 1 | |
| 20 | 97013-06012-00 | BOLT | 2 | |
| 21 | 92903-06600-00 | WASHER, PLATE | 2 | |
| 22 | 68F-8591B-00-00 | DRIVER, INJECTOR ASSY | 1 | |
| 23 | 90119-06MA2-00 | BOLT, WITH WASHER | 4 | |
| 24 | 6G0-82519-00-00 | WIRE, EARTH LEAD | 2 | |
| 25 | 97095-06012-00 | BOLT | 4 | |
| 26 | 92995-06600-00 | WASHER | 4 | |
| 27 | 97095-06012-00 | BOLT | 1 | |
| 28 | 92995-06600-00 | WASHER | 1 | |
| 29 | 68F-82310-01-00 | IGNITION COIL ASSY | 4 | |
| 30 | 90480-22M15-00 | GROMMET | 4 | |
| 31 | 90465-11M10-00 | CLAMP | 4 | |
| 32 | 68F-82310-11-00 | IGNITION COIL ASSY | 2 | |
| 33 | 97013-05020-00 | BOLT | 12 | |
| 34 | 92903-05600-00 | WASHER, PLATE | 12 | |
| 35 | 68F-82370-01-00 | PLUG CAP ASSY | 6 | |
| 36 | 68F-8252U-00-00 | COVER | 1 | |
| 37 | 68F-8252U-10-00 | COVER | 1 | |

Z150TXRB 2003 / ELECTRICAL 2



©2013 Yamaha Motor Corporation, U.S.A. All rights reserved.



Part List

Z150TXRB 2003 / ELECTRICAL 2

| REF - NO | PART NUMBER | PART NAME | QUANTITY | REMARKS |
|----------------|-----------------|-------------------------|----------|---------|
| 1 | 6H2-81949-11-00 | WIRE, LEAD | 1 | |
| 2 | 97095-06012-00 | BOLT | 2 | |
| 3 | 92995-06600-00 | WASHER | 2 | |
| 4 | 68F-82105-00-00 | BATTERY CABLE | 1 | |
| 5 | 97095-08016-00 | BOLT | 1 | |
| 6 | 92995-08600-00 | WASHER | 1 | |
| 7 | 95333-08600-00 | NUT | 1 | |
| 8 | 92903-08100-00 | WASHER, SPRING | 1 | |
| 9 | 6E5-82588-00-00 | PLATE | 1 | |
| 10 | 95895-06020-00 | BOLT, FLANGE | 1 | |
| 11 | 6E5-82531-10-00 | WIRE, LEAD | 1 | |
| 12 | 688-82594-00-00 | CLAMP | 1 | |
| 13 | 68F-82590-20-00 | WIRE HARNESS ASSY | 1 | |
| 14 | 90465-11M52-00 | CLAMP | 1 | |
| 15 | 90446-24MF6-00 | HOSE | 1 | |
| 16 | 90446-24MF7-00 | HOSE | 1 | |
| 17 | 90446-34MF8-00 | HOSE | 1 | |
| 18 | 90465-08M89-00 | CLAMP | 1 | |
| 19 | 68F-8259M-00-00 | WIRE HARNESS ASSY 2 | 1 | |
| 20 | 68F-8259N-00-00 | WIRE HARNESS ASSY 3 | 1 | |
| 21 | 90465-11M10-00 | CLAMP | 1 | |
| 22 | 90465-11M52-00 | CLAMP | 1 | |
| 23 | 61A-85790-00-00 | THERMOSENSOR ASSY | 1 | |
| 24 | 92990-10600-00 | WASHER, PLATE | 1 | |
| 25 | 90465-12M93-00 | CLAMP | 1 | |
| 26 | 97095-06012-00 | BOLT | 1 | |
| 27 | 92995-06100-00 | WASHER, SPRING | 1 | |
| 28 | 6R3-82563-00-00 | TRIM & TILT SWITCH ASSY | 1 | |
| 29 | 6E5-82587-00-00 | GASKET | 1 | |
| 30 | 6R3-83614-00-00 | BRACKET | 1 | |
| 31 | 90109-06M80-00 | BOLT | 2 | |
| 32 | 67H-82380-00-00 | SENSOR, PRESSURE | 1 | |
| 33 | 98580-06520-00 | SCREW, PAN HEAD | 2 | |
| 34 | 97095-06014-00 | BOLT | 2 | |
| 35 | 92995-06600-00 | WASHER | 2 | |
| 36 | 6K7-82588-00-00 | PLATE | 1 | |
| 37 | 95895-06020-00 | BOLT, FLANGE | 1 | |

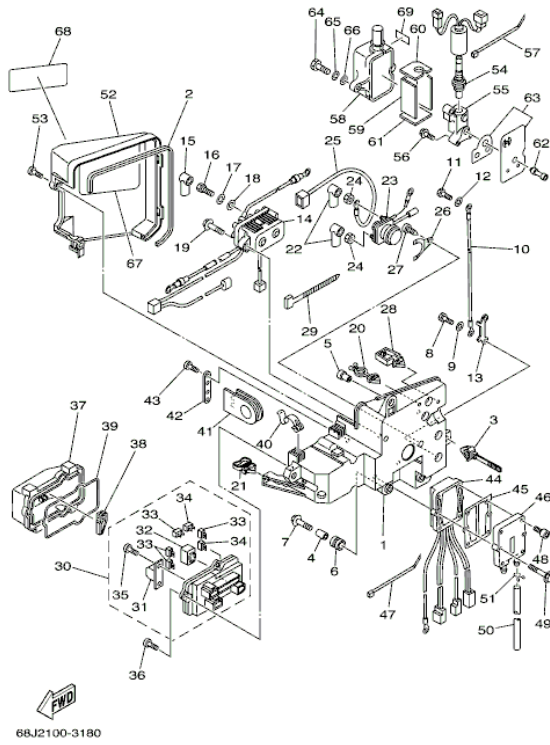
Part Notes

Z150TXRB 2003 / ELECTRICAL 2

| PART NUMBER | NOTE TEXT |
|--|---|
| 92990-10600-00  | OEM: This part number is among the Top 100 Most Popular Marine Maintenance Parts as of August 2013. |
| 92995-06100-00  | OEM: This part number is among the Top 100 Most Popular Marine Maintenance Parts as of August 2013. |

©2013 Yamaha Motor Corporation, U.S.A. All rights reserved.

Z150TXRB 2003 / ELECTRICAL 3



©2013 Yamaha Motor Corporation, U.S.A. All rights reserved.


Part List


Z150TXRB 2003 / ELECTRICAL 3

| REF - NO | PART NUMBER | PART NAME | QUANTITY | REMARKS |
|----------|-----------------|----------------------------|----------|---------|
| 1 | 68F-81948-00-00 | BRACKET | 1 | |
| 2 | 68F-82535-00-00 | GROMMET | 1 | |
| 3 | 90465-12M56-00 | CLAMP | 1 | |
| 4 | 624-42542-00-00 | PIPE | 4 | |
| 5 | 90387-06M91-00 | COLLAR | 1 | |
| 6 | 6A0-82317-00-00 | DAMPER, IGNITION COIL | 5 | |
| 7 | 90119-06M65-00 | BOLT, WITH WASHER | 5 | |
| 8 | 97095-06012-00 | BOLT | 2 | |
| 9 | 92995-06600-00 | WASHER | 2 | |
| 10 | 68F-81949-20-00 | WIRE, LEAD | 1 | |
| 11 | 97095-06012-00 | BOLT | 1 | |
| 12 | 92995-06600-00 | WASHER | 1 | |
| 13 | 61A-87149-00-00 | CONNECTOR | 1 | |
| 14 | 68F-81950-01-00 | RELAY ASSY | 1 | |
| 15 | 682-82119-01-00 | COVER, LEAD WIRE | 1 | |
| 16 | 97095-06010-00 | BOLT | 2 | |
| 17 | 92995-06100-00 | WASHER, SPRING | 2 | |
| 18 | 92995-06600-00 | WASHER | 2 | |
| 19 | 90119-06MA4-00 | BOLT, WITH WASHER | 2 | |
| 20 | 90464-18M46-00 | CLAMP | 1 | |
| 21 | 90464-23199-00 | CLAMP | 1 | |
| 22 | 682-82119-01-00 | COVER, LEAD WIRE | 2 | |
| 23 | 61A-8194A-00-00 | RELAY | 1 | |
| 24 | 95780-06300-00 | NUT, FLANGE | 2 | |
| 25 | 68F-82117-00-00 | WIRE, LEAD | 1 | |
| 26 | 61A-81952-00-00 | HOLDER, RELAY | 1 | |
| 27 | 97780-50612-00 | SCREW, TAPPING | 1 | |
| 28 | 90464-05141-00 | CLAMP | 1 | |
| 29 | 90465-11M52-00 | CLAMP | 1 | |
| 30 | 68F-82170-01-00 | FUSE BOX ASSY | 1 | |
| 31 | 6P2-82151-00-00 | .FUSE (60A) | 2 | |
| 32 | 68F-8195A-00-00 | .RELAY ASSY | 2 | |
| 33 | 67F-82151-00-00 | .FUSE (20A) | 4 | |
| 34 | 67F-82151-10-00 | .FUSE (30A) | 2 | |
| 35 | 68F-82846-00-00 | .SCREW, PAN HEAD (M5) | 4 | |
| 36 | 97780-50620-00 | SCREW, TAPPING | 3 | |
| 37 | 68F-85544-00-00 | CASE | 1 | |
| 38 | 67F-2812A-00-00 | .PULLER, FUSE | 1 | |
| 39 | 68F-82176-00-00 | DAMPER | 1 | |
| 40 | 68F-8572S-00-00 | SPRING | 2 | |
| 41 | 68F-81336-00-00 | GROMMET | 1 | |
| 42 | 68F-81128-00-00 | CLAMP | 1 | |
| 43 | 97780-50616-00 | SCREW, TAPPING | 2 | |
| 44 | 68F-81960-01-00 | RECTIFIER & REGULATOR ASSY | 1 | |
| 45 | 69J-81975-A0-00 | PLATE, RECTIFIER FITTING | 1 | |
| 46 | 69J-81972-01-1S | COVER, RECTIFIER | 1 | |
| 47 | 90465-13M18-00 | CLAMP | 1 | |
| 48 | 90110-06M07-00 | BOLT, HEXAGON SOCKET HEAD | 4 | |
| 49 | 90119-06MA4-00 | BOLT, WITH WASHER | 2 | |
| 50 | 90445-09097-00 | HOSE (L250) | 1 | |
| 51 | 90467-08M18-00 | CLIP | 1 | |
| 52 | 68F-81942-00-00 | COVER | 1 | |
| 53 | 90169-05M00-00 | SCREW, TRUSS HEAD TAPPING | 2 | |
| 54 | 68F-8592A-00-00 | SENSOR, OXYGEN | 1 | |
| 55 | 65L-11395-00-00 | HOLDER | 1 | |
| 56 | 90119-06M74-00 | BOLT, WITH WASHER | 3 | |
| 57 | 90465-13M18-00 | CLAMP | 1 | |
| 58 | 65L-85832-00-00 | CASE, UNDER | 1 | |
| 59 | 65L-11354-00-00 | GASKET | 1 | |
| 60 | 65L-1131N-00-00 | GASKET, HOLDER | 1 | |
| 61 | 65L-11396-00-00 | GASKET, HOLDER | 1 | |
| 62 | 68F-11353-00-00 | JOINT | 1 | |
| 63 | 68F-W1135-00-00 | SEAL, CYLINDER | 1 | |
| 64 | 97095-06030-00 | BOLT | 2 | |
| 65 | 92995-06100-00 | WASHER, SPRING | 2 | |
| 66 | 92995-06600-00 | WASHER | 2 | |
| 67 | 68F-81919-10-00 | GRAPHIC, REGULATOR | 1 | |
| 68 | 68F-81919-01-00 | GRAPHIC, REGULATOR | 1 | |
| 69 | 65L-83625-40-00 | MARK 5 | 1 | |

Part Notes

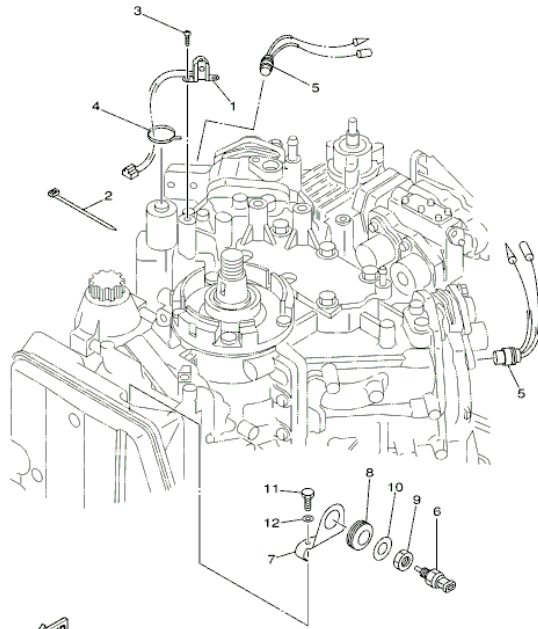
Z150TXRB 2003 / ELECTRICAL 3

| PART NUMBER | NOTE TEXT |
|--|---|
| 92995-06100-00  | OEM: This part number is among the Top 100 Most Popular Marine Maintenance Parts as of August 2013. |

| | | |
|----------------|---|---|
| 92995-06100-00 |  | OEM: This part number is among the Top 100 Most Popular Marine Maintenance Parts as of August 2013. |
|----------------|---|---|

©2013 Yamaha Motor Corporation, U.S.A. All rights reserved.

Z150TXRB 2003 / ELECTRICAL 4



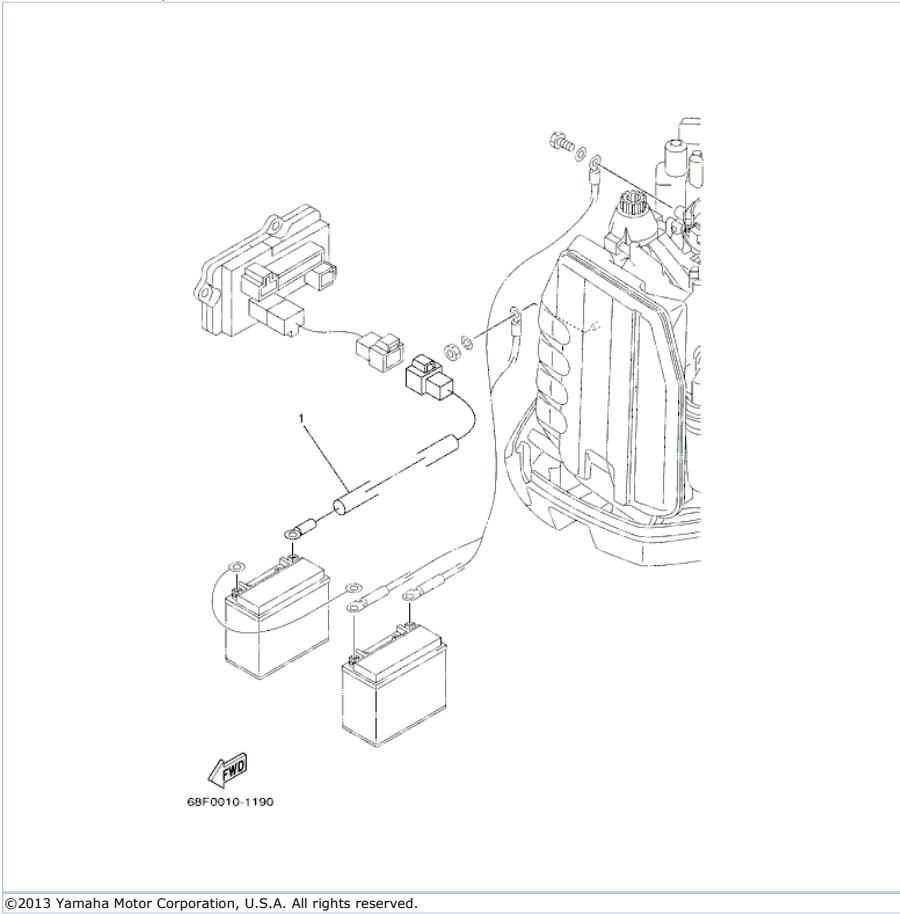
©2013 Yamaha Motor Corporation, U.S.A. All rights reserved.

Part List

Z150TXRB 2003 / ELECTRICAL 4

| REF - NO | PART NUMBER | PART NAME | QUANTITY | REMARKS |
|----------------|-----------------|-----------------------|----------|---------|
| 1 | 61A-85895-00-00 | CRANK POSITION SENDER | 1 | |
| 2 | 90465-13M18-00 | CLAMP | 1 | |
| 3 | 97885-05012-00 | SCREW, PAN HEAD | 2 | |
| 4 | 90465-13M18-00 | CLAMP | 1 | |
| 5 | 688-82560-10-00 | THERMO SWITCH ASSY | 2 | |
| 6 | 65L-85886-00-00 | THERMOSENSOR | 1 | |
| 7 | 68F-8431R-00-00 | STAY, SETTING | 1 | |
| 8 | 90480-17M80-00 | GROMMET | 1 | |
| 9 | 90179-12M37-00 | NUT | 1 | |
| 10 | 90201-12M08-00 | WASHER, PLATE | 1 | |
| 11 | 97095-06016-00 | BOLT | 1 | |
| 12 | 92995-06600-00 | WASHER | 1 | |

Z150TXRB 2003 / OPTIONAL PARTS

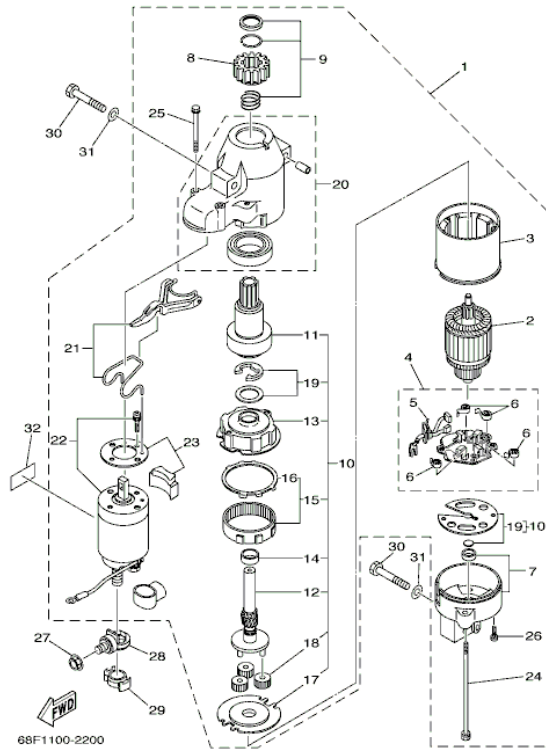


Part List

Z150TXRB 2003 / OPTIONAL PARTS

| REF - NO | PART NUMBER | PART NAME | QUANTITY | REMARKS |
|----------------|-----------------|--------------------------------|----------|---------|
| 1 | 68F-81949-00-00 | WIRE, LEAD (ISOLATOR CABLE) | 1 | AP |

Z150TXRB 2003 / STARTING MOTOR



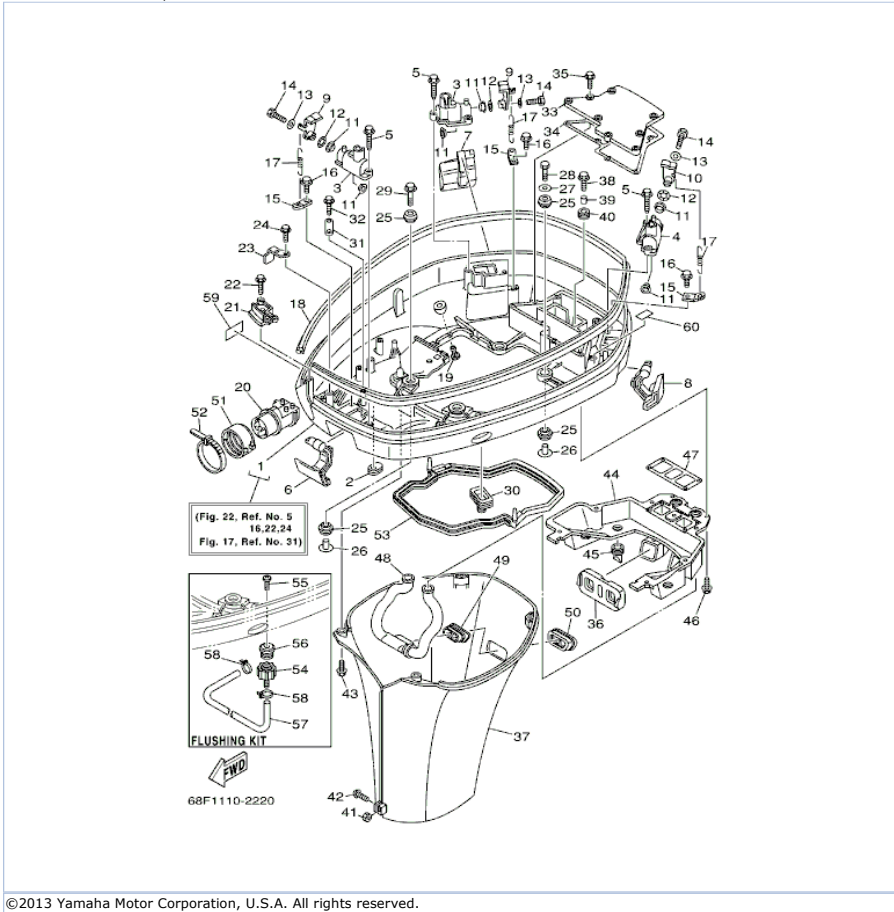
©2013 Yamaha Motor Corporation, U.S.A. All rights reserved.

Part List

Z150TXRB 2003 / STARTING MOTOR

| REF - NO | PART NUMBER | PART NAME | QUANTITY | REMARKS |
|----------------|-----------------|-------------------------------|----------|---------|
| 1 | 68F-81800-01-00 | STARTING MOTOR ASSY | 1 | |
| 2 | 67F-81850-00-00 | .ARMATURE ASSY | 1 | |
| 3 | 67F-81810-00-00 | .STATOR ASSY | 1 | |
| 4 | 68F-81840-00-00 | .BRUSH HOLDER ASSY | 1 | |
| 5 | 67F-81801-00-00 | ..BRUSH SET | 1 | |
| 6 | 67F-81813-00-00 | ..SPRING, BRUSH | 4 | |
| 7 | 68F-81820-00-00 | .REAR BRACKET ASSY | 1 | |
| 8 | 67F-81808-00-00 | .PINION ASSY | 1 | |
| 9 | 67F-81857-00-00 | .PINION STOPPER SET | 1 | |
| 10 | 67F-81807-00-00 | .GEAR ASSY, STARTING MOTOR | 1 | |
| 11 | 67F-81832-00-00 | ..CLUTCH, OVER RUN | 1 | |
| 12 | 67F-81836-00-00 | ..SHAFT, PINION | 1 | |
| 13 | 67F-81821-00-00 | ..BRACKET, CENTER 1 | 1 | |
| 14 | 67F-81841-00-00 | ..BEARING | 1 | |
| 15 | 67F-81891-00-00 | ..GEAR, RING | 1 | |
| 16 | 67F-8183R-00-00 | ...GASKET | 1 | |
| 17 | 67F-81830-00-00 | ..BRACKET, CENTER 2 | 1 | |
| 18 | 67F-8183T-00-00 | ..GEAR, IDLER | 3 | |
| 19 | 67F-81809-00-00 | ..WASHER KIT | 1 | |
| 20 | 67F-81842-00-00 | .COVER | 1 | |
| 21 | 67F-81839-00-00 | .LEVER ASSY | 1 | |
| 22 | 68F-81941-01-00 | .STARTER RELAY ASSY | 1 | |
| 23 | 67F-81869-00-00 | .COVER, DUST | 1 | |
| 24 | 6K7-81826-10-00 | .BOLT | 2 | |
| 25 | 67F-81828-00-00 | .SCREW 2 | 2 | |
| 26 | 67F-81846-00-00 | .SCREW | 2 | |
| 27 | 90179-08003-00 | NUT | 1 | |
| 28 | 68F-81925-00-00 | TERMINAL | 1 | |
| 29 | 68F-82582-00-00 | COVER, WIRE HARNESS | 1 | |
| 30 | 97013-08045-00 | BOLT | 3 | |
| 31 | 92903-08600-00 | WASHER, PLATE | 3 | |
| 32 | 67F-83627-01-00 | LABEL, CAUTION 7 | 1 | |

Z150TXRB 2003 / BOTTOM COWLING

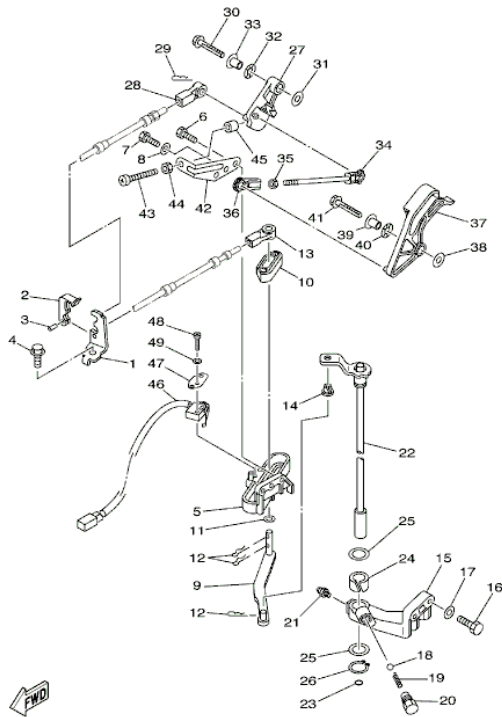


Part List

Z150TXRB 2003 / BOTTOM COWLING

| REF - NO | PART NUMBER | PART NAME | QUANTITY | REMARKS |
|----------|-----------------|---------------------------|----------|--------------|
| 1 | 68F-42710-00-8D | BOTTOM COWLING ASSY | 1 | |
| 2 | 61A-42727-00-00 | GROMMET | 1 | |
| 3 | 68F-42828-00-94 | PLATE, CLAMP | 2 | |
| 4 | 68F-42828-10-94 | PLATE, CLAMP | 1 | |
| 5 | 90109-06M82-00 | BOLT | 6 | |
| 6 | 68F-42815-00-8D | LEVER, CLAMP | 1 | |
| 7 | 68F-42816-00-8D | LEVER, CLAMP | 1 | |
| 8 | 68F-42817-00-8D | LEVER, CLAMP | 1 | |
| 9 | 68F-42818-00-00 | LEVER, CLAMP | 2 | |
| 10 | 67F-42818-00-00 | LEVER, CLAMP | 1 | |
| 11 | 90386-15M73-00 | BUSH | 6 | |
| 12 | 90206-15M18-00 | WASHER, WAVE | 3 | |
| 13 | 90201-06068-00 | WASHER, PLATE | 3 | |
| 14 | 97095-06016-00 | BOLT | 3 | |
| 15 | 64D-43144-00-00 | HOOK, SPRING | 3 | |
| 16 | 90109-06M80-00 | BOLT | 3 | |
| 17 | 90506-16M34-00 | SPRING, TENSION | 3 | |
| 18 | 68F-42615-00-00 | SEAL | 1 | |
| 19 | 6E5-44391-00-00 | NIPPLE, HOSE | 1 | |
| 20 | 68F-42725-01-00 | GROMMET | 1 | |
| 21 | 68F-42738-00-5B | PLATE, FITTING | 1 | |
| 22 | 90109-06M86-00 | BOLT | 2 | |
| 23 | 64D-42738-10-5B | PLATE, FITTING | 1 | |
| 24 | 90109-06M80-00 | BOLT | 1 | |
| 25 | 90480-22M81-00 | GROMMET | 8 | |
| 26 | 90387-08M37-00 | COLLAR | 4 | |
| 27 | 90201-08M54-00 | WASHER, PLATE | 1 | |
| 28 | 97075-08035-00 | BOLT | 1 | |
| 29 | 90119-08M22-00 | BOLT, WITH WASHER | 3 | |
| 30 | 688-42726-10-00 | GROMMET | 1 | |
| 31 | 6E5-82588-00-00 | PLATE | 1 | |
| 32 | 95895-06020-00 | BOLT, FLANGE | 1 | |
| 33 | 68F-42723-00-94 | COVER, BOTTOM | 1 | |
| 34 | 68F-42721-00-00 | GASKET 1 | 1 | |
| 35 | 95895-06020-00 | BOLT, FLANGE | 8 | |
| 36 | 68F-42769-00-00 | SEAL, RUBBER | 1 | |
| 37 | 68F-42741-00-4D | APRON | 1 | UR L |
| 37 | 68F-42741-10-4D | APRON | 1 | UR X |
| 38 | 90109-06M80-00 | BOLT | 2 | |
| 39 | 90387-06M43-00 | COLLAR | 2 | |
| 40 | 90480-13M24-00 | GROMMET | 2 | |
| 41 | 95380-06600-00 | NUT, HEXAGON | 1 | |
| 42 | 90159-06M03-00 | SCREW, WITH WASHER | 1 | |
| 43 | 95895-06016-00 | BOLT, FLANGE | 2 | |
| 44 | 68F-42771-00-00 | APRON | 1 | |
| 45 | 61A-42717-00-00 | RUBBER, SEAL 2 | 4 | |
| 46 | 95895-06016-00 | BOLT, FLANGE | 9 | |
| 47 | 68F-42722-00-00 | GASKET 2 | 1 | |
| 48 | 68F-12577-00-00 | HOSE 2 | 1 | UR L |
| 48 | 68F-12577-10-00 | HOSE 2 | 1 | UR X |
| 49 | 68F-12582-01-00 | JOINT, HOSE 2 | 1 | UR L |
| 49 | 68F-12582-10-00 | JOINT, HOSE 2 | 1 | UR X |
| 50 | 68F-42718-00-00 | RUBBER, SEAL 3 | 1 | |
| 51 | 68F-42753-00-00 | FASTNER | 1 | |
| 52 | 90464-20258-00 | CLAMP | 1 | |
| 53 | 6E5-42716-10-00 | RUBBER, SEAL 1 | 1 | |
| 54 | 6R3-12580-00-00 | .JOINT ASSY | 1 | FLUSHING KIT |
| 55 | 90169-05M00-00 | SCREW, TRUSS HEAD TAPPING | 1 | FLUSHING KIT |
| 56 | 6R3-12572-00-00 | .ADAPTER | 1 | FLUSHING KIT |
| 57 | 90445-11M35-00 | .HOSE (L540) | 1 | FLUSHING KIT |
| 58 | 90465-11M10-00 | CLAMP | 2 | FLUSHING KIT |
| 59 | 68F-2415E-40-00 | LABEL, CAUTION | 1 | |
| 60 | 68H-42791-01-00 | MARK 1 | 1 | UR (L)Z150 |

Z150TXRB 2003 / CONTROL



68F2100-3220

©2013 Yamaha Motor Corporation, U.S.A. All rights reserved.


Part List

Z150TXRB 2003 / CONTROL

| REF - NO | PART NUMBER | PART NAME | QUANTITY | REMARKS |
|----------|-----------------|---------------------------|----------|---------|
| 1 | 68F-48531-00-00 | BRACKET, REMOTE CONTROL 1 | 1 | |
| 2 | 663-48538-00-00 | CLAMP, CABLE 1 | 1 | |
| 3 | 91690-30010-00 | PIN, SPRING | 1 | |
| 4 | 90109-06M80-00 | BOLT | 1 | |
| 5 | 68F-44117-01-1S | BRACKET | 1 | |
| 6 | 97095-06020-00 | BOLT | 2 | |
| 7 | 97013-06012-00 | BOLT | 1 | |
| 8 | 92903-06600-00 | WASHER, PLATE | 1 | |
| 9 | 68F-44121-00-00 | LEVER, SHIFT ROD | 1 | |
| 10 | 68F-44122-01-00 | BUSHING, SHIFT ROD LEVER | 1 | |
| 11 | 90202-08M20-00 | WASHER, PLATE | 1 | |
| 12 | 90468-18008-00 | CLIP | 3 | |
| 13 | 6E5-48344-00-00 | CABLE END, REMOTE CONTROL | 1 | |
| 14 | 90386-06M12-00 | BUSH | 1 | |
| 15 | 6E5-44118-01-1S | BRACKET | 1 | |
| 16 | 97013-08030-00 | BOLT | 2 | |
| 17 | 92903-08600-00 | WASHER, PLATE | 2 | |
| 18 | 93501-04M02-00 | BALL | 1 | |
| 19 | 90501-12082-00 | SPRING, COMPRESSION | 1 | |
| 20 | 648-42715-00-00 | BUSHING | 1 | |
| 21 | 93700-06M03-00 | NIPPLE, GREASE | 1 | |
| 22 | 6E5-44120-23-00 | HANDLE GEAR SHIFT ASSY | 1 | UR X |
| 22 | 6E5-44120-03-00 | HANDLE GEAR SHIFT ASSY | 1 | UR L |
| 23 | 93210-09165-00 | O-RING | 1 | |
| 24 | 90386-16M66-00 | BUSH | 1 | |
| 25 | 90202-16061-00 | WASHER, PLATE | 2 | |
| 26 | 93410-16006-00 | CIRCLIP | 1 | |
| 27 | 67H-41632-00-00 | LEVER, MAGNETO CONTROL | 1 | |
| 28 | 6E5-48344-00-00 | CABLE END, REMOTE CONTROL | 1 | |
| 29 | 90468-18008-00 | CLIP | 1 | |
| 30 | 90119-06MA4-00 | BOLT, WITH WASHER | 1 | |
| 31 | 90201-06M31-00 | WASHER, PLATE | 1 | |
| 32 | 90206-10M04-00 | WASHER, WAVE | 1 | |
| 33 | 90387-06M29-00 | COLLAR | 1 | |
| 34 | 61A-41237-00-00 | JOINT, LINK | 1 | |
| 35 | 95380-05600-00 | NUT | 1 | |
| 36 | 682-41237-00-00 | JOINT, LINK | 1 | |
| 37 | 68F-41213-00-00 | CAM, ACCEL | 1 | |
| 38 | 90201-06M31-00 | WASHER, PLATE | 1 | |
| 39 | 90387-06M29-00 | COLLAR | 1 | |
| 40 | 90206-10M04-00 | WASHER, WAVE | 1 | |
| 41 | 90119-06MA4-00 | BOLT, WITH WASHER | 1 | |
| 42 | 68F-42744-00-00 | STAY | 1 | |
| 43 | 90157-06M11-00 | SCREW, PAN HEAD | 1 | |
| 44 | 95380-06600-00 | NUT, HEXAGON | 1 | |
| 45 | 688-44194-00-00 | CAP | 1 | |
| 46 | 68F-8259F-00-00 | SWITCH ASSY | 1 | |
| 47 | 61A-82588-01-00 | PLATE | 1 | |
| 48 | 97885-04016-00 | SCREW, PAN HEAD | 2 | |
| 49 | 92995-04100-00 | WASHER | 2 | |

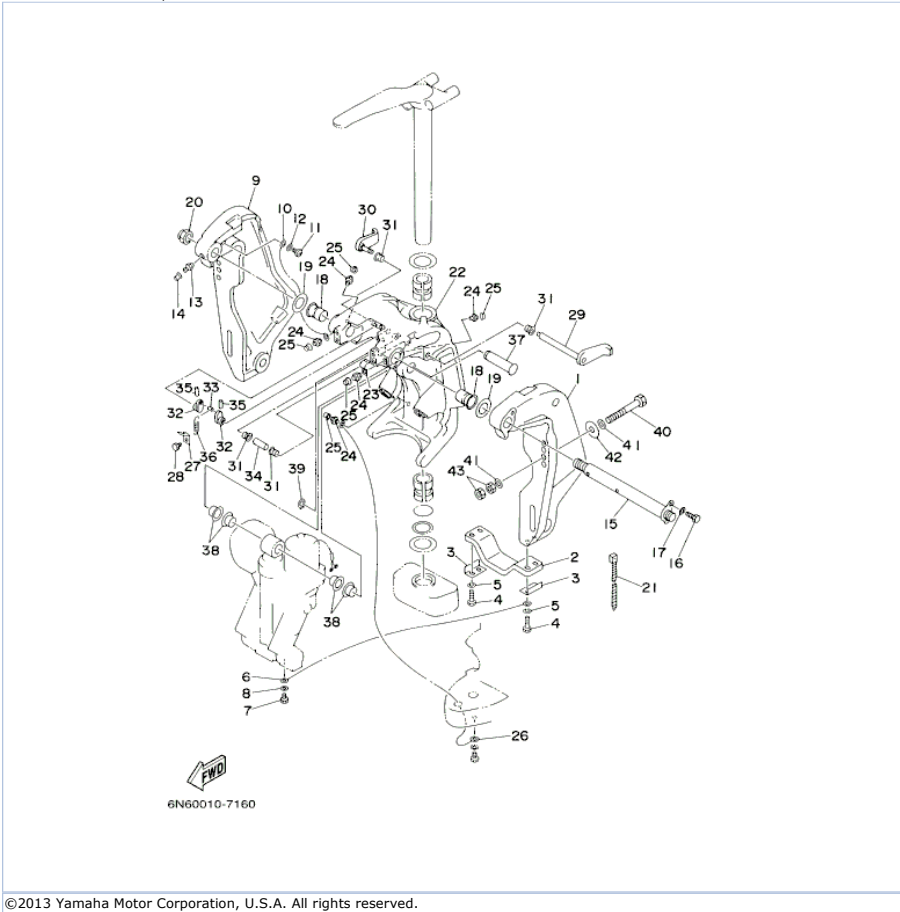
Part Notes

Z150TXRB 2003 / CONTROL

| PART NUMBER | NOTE TEXT |
|--|---|
| 93700-06M03-00  | OEM: This part number is among the Top 100 Most Popular Marine Maintenance Parts as of August 2013. |

©2013 Yamaha Motor Corporation, U.S.A. All rights reserved.

Z150TXRB 2003 / BRACKET 1



©2013 Yamaha Motor Corporation, U.S.A. All rights reserved.






Part List

Z150TXRB 2003 / BRACKET 1

| REF - NO | PART NUMBER | PART NAME | QUANTITY | REMARKS |
|----------------|-----------------|------------------------|----------|---------|
| 1 | 64E-43111-02-8D | BRACKET, CLAMP 1 | 1 | |
| 2 | 6G5-45251-02-00 | ANODE | 1 | |
| 3 | 6G5-44526-00-00 | PLATE | 2 | |
| 4 | 97095-06030-00 | BOLT | 4 | |
| 5 | 92995-06100-00 | WASHER, SPRING | 4 | |
| 6 | 6E5-82148-00-00 | WIRE, LEAD 4 | 1 | |
| 7 | 97095-06010-00 | BOLT | 1 | |
| 8 | 92995-06600-00 | WASHER | 1 | |
| 9 | 64E-43112-02-8D | BRACKET, CLAMP 2 | 1 | |
| 10 | 6E5-82148-00-00 | WIRE, LEAD 4 | 1 | |
| 11 | 97880-06012-00 | SCREW, PAN HEAD | 1 | |
| 12 | 92990-06600-00 | WASHER, PLATE | 1 | |
| 13 | 93700-06M03-00 | NIPPLE, GREASE | 1 | |
| 14 | 663-45119-00-00 | CAP, GREASE NIPPLE | 1 | AP |
| 15 | 64E-43131-01-00 | BOLT, CLAMP BRACKET | 1 | |
| 16 | 97095-08020-00 | BOLT | 1 | |
| 17 | 92995-08100-00 | WASHER | 1 | |
| 18 | 90386-25M31-00 | BUSH | 2 | |
| 19 | 90201-26M59-00 | WASHER, PLATE | 2 | |
| 20 | 90185-22M11-00 | NUT, SELF-LOCKING | 1 | |
| 21 | 90465-11M10-00 | CLAMP | 1 | |
| 22 | 64E-43311-20-8D | BRACKET, SWIVEL 1 | 1 | UR X |
| 22 | 64E-43311-10-8D | BRACKET, SWIVEL 1 | 1 | UR L |
| 23 | 90465-08M63-00 | CLAMP | 1 | |
| 24 | 93700-06M03-00 | NIPPLE, GREASE | 5 | |
| 25 | 663-45119-00-00 | CAP, GREASE NIPPLE | 5 | AP |
| 26 | 6E5-82147-20-00 | WIRE, LEAD 5 | 1 | UR X |
| 26 | 6E5-82147-00-00 | WIRE, LEAD 5 | 1 | UR L |
| 27 | 6G5-43144-00-00 | HOOK, SPRING | 1 | |
| 28 | 97095-06010-00 | BOLT | 1 | |
| 29 | 6G5-43181-02-00 | LEVER, TILT STOP 1 | 1 | |
| 30 | 6G5-43185-02-00 | LEVER, TILT STOP 2 | 1 | |
| 31 | 90386-10M16-00 | BUSH | 4 | |
| 32 | 6G5-43148-00-00 | COLLAR, DISTANCE | 2 | |
| 33 | 90249-06M19-00 | PIN | 1 | |
| 34 | 90387-10M05-00 | COLLAR | 1 | |
| 35 | 91690-30020-00 | PIN, SPRING | 2 | |
| 36 | 90506-14M24-00 | SPRING, TENSION | 1 | |
| 37 | 64E-43126-00-00 | PIN, UPPER SHOCK MOUNT | 1 | |
| 38 | 90386-22M98-00 | BUSH | 4 | |
| 39 | 93410-22M11-00 | CIRCLIP | 1 | |
| 40 | 90101-12M77-00 | BOLT (L:150MM) | 2 | UR |
| 40 | 90101-12M05-00 | BOLT (L:130MM) | 4 | UR |
| 41 | 90201-13M01-00 | WASHER, PLATE | 12 | |
| 42 | 90201-12M05-00 | WASHER, PLATE | 6 | |
| 43 | 95380-12600-00 | NUT | 12 | |

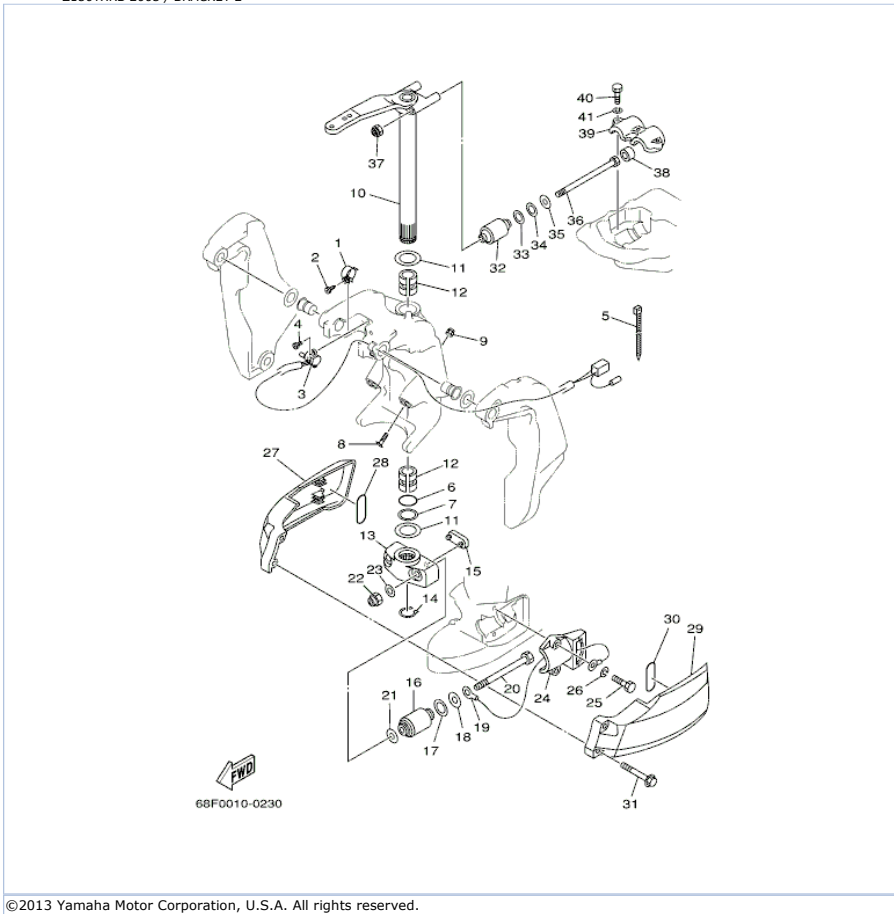
Part Notes

Z150TXRB 2003 / BRACKET 1

| PART NUMBER | NOTE TEXT |
|---|---|
| 6G5-45251-02-00  | OEM: This part number is among the Top 100 Most Popular Marine Maintenance Parts as of August 2013. |
| 92995-06100-00  | OEM: This part number is among the Top 100 Most Popular Marine Maintenance Parts as of August 2013. |
| 92990-06600-00  | OEM: This part number is among the Top 100 Most Popular Marine Maintenance Parts as of August 2013. |
| 93700-06M03-00  | OEM: This part number is among the Top 100 Most Popular Marine Maintenance Parts as of August 2013. |
| 93700-06M03-00  | OEM: This part number is among the Top 100 Most Popular Marine Maintenance Parts as of August 2013. |

©2013 Yamaha Motor Corporation, U.S.A. All rights reserved.

Z150TXRB 2003 / BRACKET 2



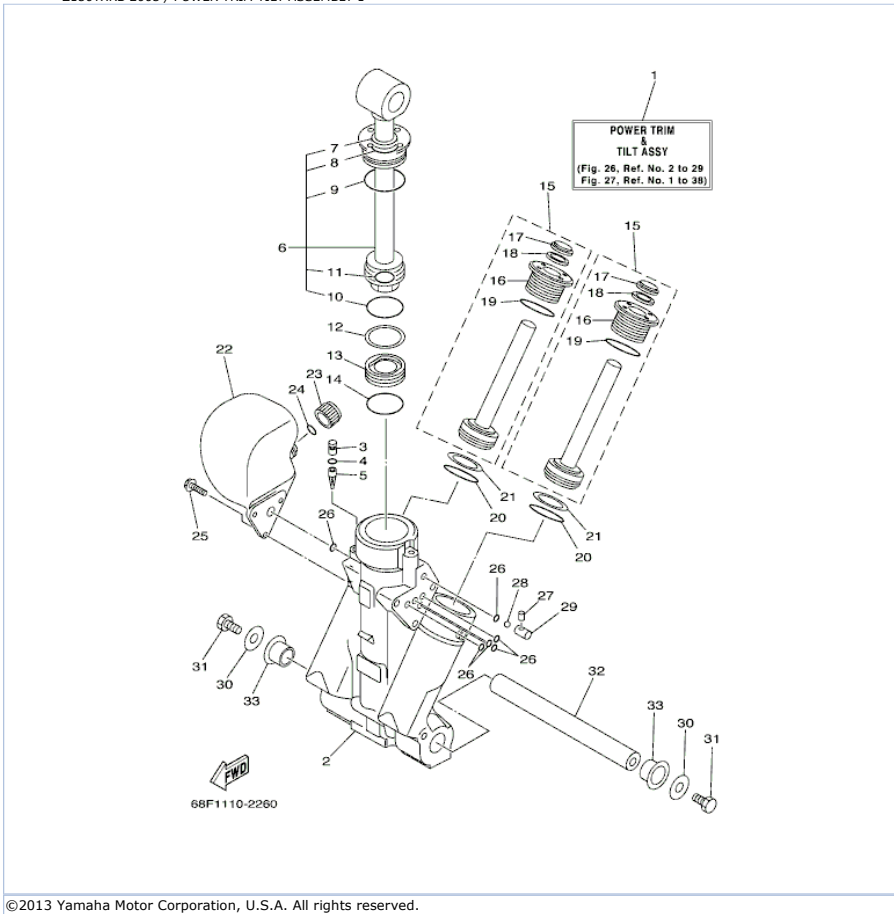
©2013 Yamaha Motor Corporation, U.S.A. All rights reserved.

Part List

Z150TXRB 2003 / BRACKET 2

| REF - NO | PART NUMBER | PART NAME | QUANTITY | REMARKS |
|----------------|-----------------|----------------------------------|----------|---------|
| 1 | 64E-43139-02-00 | CAM, TRIM SENDER | 1 | |
| 2 | 97780-60525-00 | SCREW, TAPPING | 1 | |
| 3 | 64E-83672-02-00 | TRIM SENDER | 1 | |
| 4 | 97885-06016-00 | SCREW, PAN HEAD | 2 | |
| 5 | 90465-11M10-00 | CLAMP | 3 | |
| 6 | 93210-37MH7-00 | O-RING | 1 | |
| 7 | 90202-40M47-00 | WASHER, PLATE | 1 | |
| 8 | 61A-43376-00-00 | BOLT, THRUST RECEIVER | 2 | |
| 9 | 95780-10300-00 | NUT, FLANGE | 2 | |
| 10 | 68F-42510-A0-8D | STEERING BRACKET ASSY | 1 | UR L |
| 10 | 68F-42510-B0-8D | STEERING BRACKET ASSY | 1 | UR X |
| 11 | 90201-38M60-00 | WASHER, PLATE | 2 | |
| 12 | 90386-38M32-00 | BUSH | 2 | |
| 13 | 68F-44551-00-8D | HOUSING, LOWER MOUNT RUBBER 1 | 1 | |
| 14 | 93410-37M04-00 | CIRCLIP | 1 | |
| 15 | 6E5-44575-00-00 | DAMPER, LOWER MOUNT RUBBER | 1 | |
| 16 | 6G5-44555-00-94 | MOUNT DAMPER, LOWER SIDE | 2 | |
| 17 | 90202-32M19-00 | WASHER, PLATE | 2 | |
| 18 | 90201-16M55-00 | WASHER, PLATE | 2 | |
| 19 | 6E5-82149-00-00 | WIRE, LEAD 3 | 1 | |
| 20 | 90109-14MA5-00 | BOLT | 2 | |
| 21 | 90201-15M58-00 | WASHER, PLATE | 2 | |
| 22 | 90185-14M00-00 | NUT, SELF-LOCKING | 2 | |
| 23 | 92995-14600-00 | WASHER | 2 | |
| 24 | 68F-44552-00-8D | HOUSING, LOWER MOUNT RUBBER | 2 | |
| 25 | 97095-10045-00 | BOLT | 4 | |
| 26 | 92995-10100-00 | WASHER | 4 | |
| 27 | 68F-44553-00-4D | COVER, LOWER MOUNT | 1 | |
| 28 | 93210-41042-00 | O-RING | 1 | |
| 29 | 68F-44556-00-4D | COVER, LOWER MOUNT 2 | 1 | |
| 30 | 93210-41042-00 | O-RING | 1 | |
| 31 | 90119-06MA8-00 | BOLT, WITH WASHER | 2 | |
| 32 | 6G5-44514-00-94 | MOUNT DAMPER, UPPER SIDE | 2 | |
| 33 | 90201-26M57-00 | WASHER, PLATE | 2 | |
| 34 | 90202-26M18-00 | WASHER, PLATE | 2 | |
| 35 | 90201-14M56-00 | WASHER, PLATE | 2 | |
| 36 | 90109-12M37-00 | BOLT | 2 | |
| 37 | 90185-12M12-00 | NUT, SELF-LOCKING | 2 | |
| 38 | 663-44575-00-00 | DAMPER, LOWER MOUNT RUBBER | 2 | |
| 39 | 6E5-44511-00-5B | COVER, UPPER MOUNT | 1 | |
| 40 | 97095-10045-00 | BOLT | 3 | |
| 41 | 92995-10100-00 | WASHER | 3 | |

Z150TXRB 2003 / POWER TRIM TILT ASSEMBLY 1







Part List

Z150TXRB 2003 / POWER TRIM TILT ASSEMBLY 1

| REF - NO | PART NUMBER | PART NAME | QUANTITY | REMARKS |
|----------------|-----------------|------------------------------|----------|---------|
| 1 | 68F-43800-01-4D | POWER TRIM & TILT ASSY | 1 | |
| 2 | 64E-43825-01-00 | HOUSING, TRIM & TILT | 1 | |
| 3 | 64E-43883-00-00 | PLUG 2 | 1 | |
| 4 | 93210-10M74-00 | O-RING | 1 | |
| 5 | 64E-43817-00-00 | FILTER 2 | 1 | |
| 6 | 64E-43810-00-00 | TILT PISTON SUB ASSY | 1 | |
| 7 | 64E-43898-00-00 | .SEAL, DUST 2 | 1 | |
| 8 | 64E-43867-00-00 | .O-RING | 1 | |
| 9 | 64E-43866-00-00 | .O-RING | 1 | |
| 10 | 6E5-43862-00-00 | .O-RING | 1 | |
| 11 | 64E-43883-00-00 | .O-RING | 1 | |
| 12 | 6E5-43872-00-00 | RING, BACK UP | 1 | |
| 13 | 6E5-43814-02-00 | PISTON, FREE | 1 | |
| 14 | 6E5-43862-00-00 | O-RING | 1 | |
| 15 | 64E-43820-00-00 | PISTON SUB ASSEMBLY | 2 | |
| 16 | 64E-43821-00-00 | .SCREW, TRIM CYLINDER END | 1 | |
| 17 | 64E-43822-00-00 | .SEAL, TRIM DUST | 1 | |
| 18 | 64E-43843-00-00 | .SEAL, TRIM DOWN | 1 | |
| 19 | 6G5-43864-00-00 | .O-RING | 1 | |
| 20 | 6E5-43864-00-00 | O-RING | 2 | |
| 21 | 6E5-43874-01-00 | RING, BACK UP | 2 | |
| 22 | 64E-43828-00-00 | BODY, RESERVOIR | 1 | |
| 23 | 64E-43829-00-00 | PLUG, RESERVOIR | 1 | |
| 24 | 64E-43897-00-00 | O-RING | 1 | |
| 25 | 64E-4388E-00-00 | BOLT ,SCREW (L:14MM) | 3 | |
| 26 | 64E-43869-00-00 | O-RING | 6 | |
| 27 | 64E-4381G-00-00 | PIN | 1 | |
| 28 | 6E5-43858-00-00 | BALL | 1 | |
| 29 | 64E-4382G-00-00 | VALVE, SEAT | 1 | |
| 30 | 90201-08M14-00 | WASHER, PLATE | 2 | |
| 31 | 97080-08016-00 | BOLT | 2 | |
| 32 | 64E-43818-01-00 | PIN, LOWER SHOCK MOUNT | 1 | |
| 33 | 90386-22M98-00 | BUSH | 2 | |

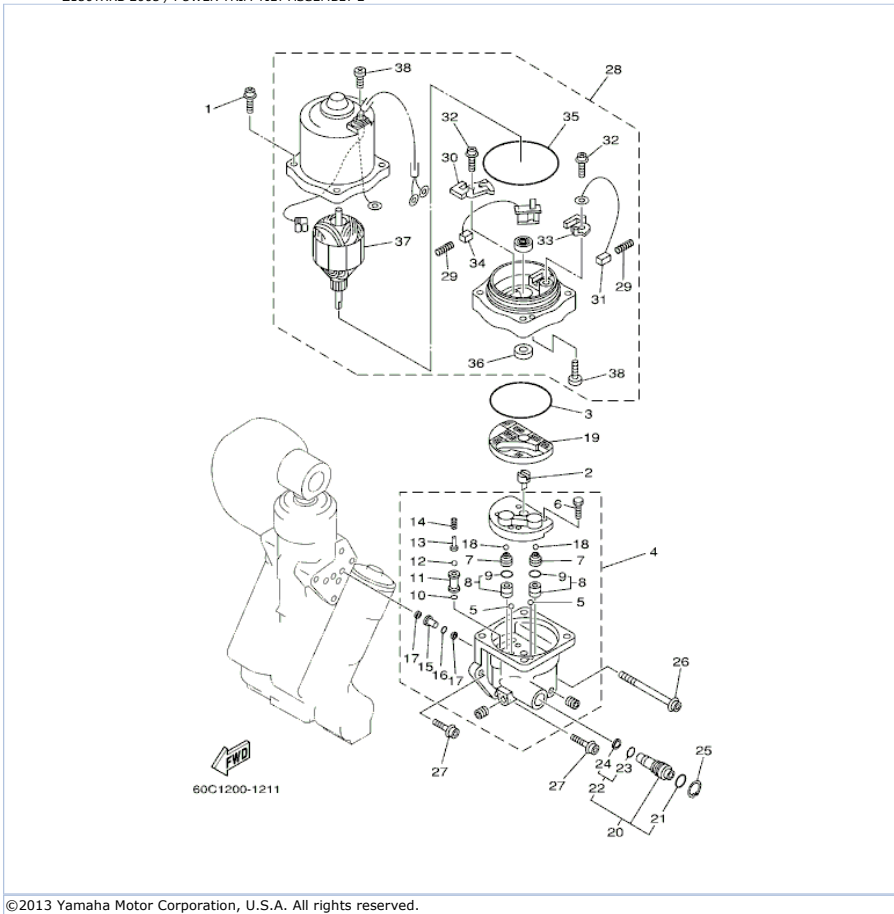
Part Notes

Z150TXRB 2003 / POWER TRIM TILT ASSEMBLY 1

| PART NUMBER | NOTE TEXT |
|---|---|
| 64E-43822-00-00  | OEM: This part number is among the Top 100 Most Popular Marine Maintenance Parts as of August 2013. |
| 64E-43843-00-00  | OEM: This part number is among the Top 100 Most Popular Marine Maintenance Parts as of August 2013. |
| 6G5-43864-00-00  | OEM: This part number is among the Top 100 Most Popular Marine Maintenance Parts as of August 2013. |
| 64E-43869-00-00  | OEM: This part number is among the Top 100 Most Popular Marine Maintenance Parts as of August 2013. |

©2013 Yamaha Motor Corporation, U.S.A. All rights reserved.

Z150TXRB 2003 / POWER TRIM TILT ASSEMBLY 2



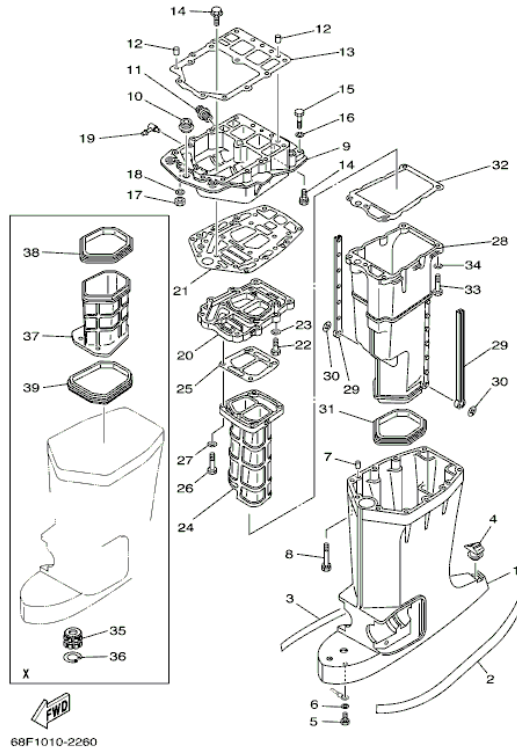
©2013 Yamaha Motor Corporation, U.S.A. All rights reserved.

Part List

Z150TXRB 2003 / POWER TRIM TILT ASSEMBLY 2

| REF - NO | PART NUMBER | PART NAME | QUANTITY | REMARKS |
|----------------|-----------------|-------------------------|----------|---------|
| 1 | 64E-4388E-10-00 | BOLT ,SCREW (L:14MM) | 4 | |
| 2 | 64E-43831-00-00 | CONNECTOR, SHAFT | 1 | |
| 3 | 64E-43868-00-00 | O-RING | 1 | |
| 4 | 64E-43830-00-00 | GEAR PUMP ASSY | 1 | |
| 5 | 72X-43858-00-00 | .BALL | 2 | |
| 6 | 64E-43843-00-00 | .SCREW, VALVE LOCK | 4 | |
| 7 | 64E-43841-00-00 | .PISTON, SHUTTLE | 2 | |
| 8 | 64E-43802-00-00 | .VALVE SUB ASSY | 2 | |
| 9 | 6E5-43896-00-00 | ..O-RING | 1 | |
| 10 | 6G5-43863-00-00 | .O-RING | 1 | |
| 11 | 64E-43851-00-00 | .SEAT, RELIEF VALVE | 1 | |
| 12 | 64E-43858-00-00 | .BALL | 1 | |
| 13 | 64E-43859-00-00 | .PIN, VALVE SUPPORT | 1 | |
| 14 | 64E-43855-00-00 | .SPRING, UP RELIEF | 1 | |
| 15 | 64E-43850-00-00 | .VALVE SUB ASSY | 1 | |
| 16 | 64E-43865-00-00 | .O-RING | 1 | |
| 17 | 64E-43816-00-00 | .FILTER 1 | 2 | |
| 18 | 64E-43858-00-00 | .BALL | 2 | |
| 19 | 64E-43817-10-00 | FILTER 2 | 1 | |
| 20 | 64E-43860-00-00 | MANUAL VALVE SUB-ASSY | 1 | |
| 21 | 72X-85075-L0-00 | .O-RING | 1 | |
| 22 | 64E-43827-00-00 | .RING SET | 1 | |
| 23 | 64E-4387A-00-00 | ..O-RING | 1 | |
| 24 | 64E-43873-00-00 | ..RING, BACK UP | 1 | |
| 25 | 64E-43875-00-00 | RING, SNAP | 1 | |
| 26 | 64E-43879-10-00 | SCREW, WITH WASHER | 1 | |
| 27 | 64E-43879-00-00 | SCREW, WITH WASHER | 2 | |
| 28 | 67H-43880-01-00 | MOTOR ASSY | 1 | |
| 29 | 6H1-4386K-10-00 | .SPRING, BRUSH | 2 | |
| 30 | 64E-43801-00-00 | .HOLDER, BRUSH | 1 | |
| 31 | 64E-43891-00-00 | .BRUSH 1 | 1 | |
| 32 | 97607-04310-00 | .SCREW,WITH WASHER | 2 | |
| 33 | 64E-4380F-00-00 | .HOLDER, BRUSH 2 | 1 | |
| 34 | 64E-43892-00-00 | .BREAKER COMP (BRUSH 2) | 1 | |
| 35 | 6G5-43865-00-00 | .O-RING | 1 | |
| 36 | 93102-08M43-00 | .OIL SEAL | 1 | |
| 37 | 64E-43805-00-00 | .ARMATURE ASSY | 1 | |
| 38 | 64E-43843-10-00 | .SCREW, VALVE LOCK | 3 | |

Z150TXRB 2003 / UPPER CASING



68F1010-2260

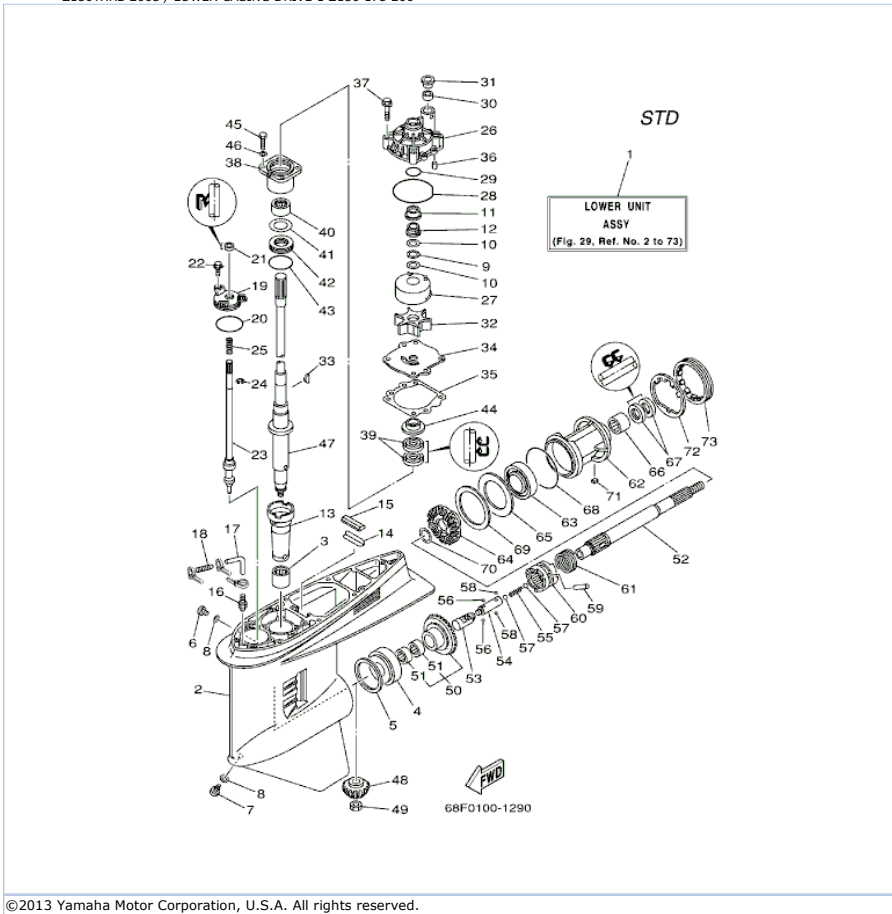
©2013 Yamaha Motor Corporation, U.S.A. All rights reserved.

Part List

Z150TXRB 2003 / UPPER CASING

| REF - NO | PART NUMBER | PART NAME | QUANTITY | REMARKS |
|----------------|-----------------|------------------------------|----------|--------------|
| 1 | 6E5-45111-23-8D | CASING, UPPER | 1 | UR X |
| 1 | 6E5-45111-02-8D | CASING, UPPER | 1 | UR L |
| 2 | 6R3-42791-41-00 | MARK 1 | 1 | |
| 3 | 6R3-42792-41-00 | MARK 2 | 1 | |
| 4 | 6E5-45155-00-00 | CAP | 1 | |
| 5 | 97095-06010-00 | BOLT | 1 | |
| 6 | 92995-06600-00 | WASHER | 1 | |
| 7 | 93608-12M05-00 | PIN, DOWEL | 2 | |
| 8 | 90119-08027-00 | BOLT, WITH WASHER | 6 | |
| 9 | 6G5-41137-11-94 | GUIDE, EXHAUST | 1 | FLUSHING KIT |
| 10 | 6E5-42724-00-00 | GROMMET | 1 | |
| 11 | 6G5-12581-00-00 | JOINT, HOSE 1 | 1 | |
| 12 | 93608-12M05-00 | PIN, DOWEL | 2 | |
| 13 | 68F-45113-00-00 | .GASKET, UPPER CASING | 1 | |
| 14 | 90119-08M79-00 | BOLT, WITH WASHER | 6 | |
| 15 | 97095-08045-00 | .BOLT | 2 | |
| 16 | 92995-08100-00 | WASHER | 2 | |
| 17 | 95380-08700-00 | NUT | 2 | |
| 18 | 92995-08100-00 | WASHER | 2 | |
| 19 | 6H1-11372-00-00 | .NIPPLE, HOSE | 1 | FLUSHING KIT |
| 20 | 6G5-41131-01-5B | MANIFOLD, EXT. 1 | 1 | |
| 21 | 6G5-45114-A1-00 | .GASKET, UPPER CASING | 1 | |
| 22 | 97095-08030-00 | BOLT | 4 | |
| 23 | 92995-08600-00 | WASHER | 4 | |
| 24 | 64D-41132-00-5B | MANIFOLD, EXHAUST | 1 | |
| 25 | 6G5-41134-A1-00 | .GASKET, EXHAUST MANIFOLD | 1 | |
| 26 | 97095-08045-00 | .BOLT | 4 | |
| 27 | 92995-08600-00 | WASHER | 4 | |
| 28 | 6E5-14711-01-5B | MUFFLER 1 | 1 | |
| 29 | 6E5-14737-00-00 | DAMPER, MUFFLER | 2 | |
| 30 | 90183-05M02-00 | NUT, SPRING | 2 | |
| 31 | 6E5-45123-00-00 | .GASKET, MUFFLER | 1 | |
| 32 | 6E5-41135-A0-00 | .GASKET, EXHAUST MANIFOLD | 1 | |
| 33 | 97095-08045-00 | .BOLT | 5 | |
| 34 | 92995-08600-00 | WASHER | 5 | |
| 35 | 6E5-45318-00-00 | BUSHING, DRIVE SHAFT | 1 | X |
| 36 | 93420-36M01-00 | CIRCLIP | 1 | X |
| 37 | 64D-14721-20-5B | MUFFLER 2 | 1 | X |
| 38 | 64D-45123-00-00 | GASKET, MUFFLER | 1 | X |
| 39 | 64D-45375-00-00 | DAMPER, SEAL | 1 | X |

Z150TXRB 2003 / LOWER CASING DRIVE 1 Z150 175 200



©2013 Yamaha Motor Corporation, U.S.A. All rights reserved.

Part List










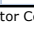
Z150TXRB 2003 / LOWER CASING DRIVE 1 Z150 175 200

| REF - NO | PART NUMBER | PART NAME | QUANTITY | REMARKS |
|----------|-----------------|---------------------------|----------|---------|
| 1 | 64E-45300-02-8D | LOWER UNIT ASSY | 1 | UR L |
| 1 | 64E-45300-22-8D | LOWER UNIT ASSY | 1 | UR X |
| 2 | 6J9-45301-05-8D | CASING, LOWER | 1 | |
| 3 | 93311-928U5-00 | BEARING | 1 | |
| 4 | 93332-000V3-00 | BEARING | 1 | |
| 5 | 6G5-45567-01-12 | SHIM (T:0.12MM) | 1 | UR |
| 5 | 6G5-45567-01-30 | SHIM (T:0.30MM) | 1 | UR |
| 5 | 6G5-45567-01-50 | SHIM (T:0.50MM) | 1 | UR |
| 5 | 6G5-45567-01-40 | SHIM (T:0.40MM) | 1 | UR |
| 5 | 6G5-45567-01-15 | SHIM (T:0.15MM) | 1 | UR |
| 5 | 6G5-45567-01-18 | SHIM (T:0.18MM) | 1 | UR |
| 5 | 6G5-45567-01-10 | SHIM (T:0.10MM) | 1 | UR |
| 6 | 90340-08002-00 | PLUG, STRAIGHT SCREW | 1 | |
| 7 | 688-45341-10-00 | PLUG, DRAIN | 1 | |
| 8 | 90430-08020-00 | .GASKET | 2 | |
| 9 | 90206-22M19-00 | WASHER, WAVE | 1 | |
| 10 | 90201-22M01-00 | WASHER, PLATE | 2 | |
| 11 | 61A-45527-00-00 | COLLAR, DRIVE SHAFT | 1 | |
| 12 | 61A-45538-00-00 | SPACER 1 | 1 | |
| 13 | 6G5-45536-01-00 | SLEEVE, DRIVE SHAFT | 1 | |
| 14 | 64D-45376-00-94 | GUIDE, SEAL DAMPER | 1 | UR X |
| 14 | 663-45376-00-94 | GUIDE, SEAL DAMPER | 1 | UR L |
| 15 | 688-45375-00-00 | DAMPER, SEAL | 1 | |
| 16 | 6E5-45378-00-00 | NIPPLE, HOSE | 1 | |
| 17 | 90445-07ME8-00 | HOSE (L80) | 1 | UR L |
| 17 | 90445-07ME9-00 | HOSE (L120) | 1 | UR X |
| 18 | 6E5-83558-10-00 | END, NIPPLE | 1 | |
| 19 | 6E5-45321-00-00 | PLATE | 1 | |
| 20 | 93210-58144-00 | .O-RING | 1 | |
| 21 | 93106-09014-00 | .OIL SEAL | 1 | |
| 22 | 90119-06M10-00 | BOLT, WITH WASHER | 3 | |
| 23 | 6G5-44150-02-00 | SHIFT CAM ASSY | 1 | |
| 24 | 99001-08600-00 | CIRCLIP | 1 | |
| 25 | 90501-11M10-00 | SPRING, COMPRESSION | 1 | |
| 26 | 61A-44311-01-00 | HOUSING, WATER PUMP | 1 | |
| 27 | 61A-44322-02-00 | .INSERT, CARTRIDGE | 1 | |
| 28 | 93210-86M38-00 | .O-RING | 1 | |
| 29 | 93210-37160-00 | .O-RING | 1 | |
| 30 | 6E5-44365-00-00 | DAMPER, WATER SEAL 1 | 1 | |
| 31 | 6E5-44312-00-00 | COVER, WATER PUMP HOUSING | 1 | |
| 32 | 6E5-44352-01-00 | .IMPELLER | 1 | |
| 33 | 90280-04M05-00 | .KEY, WOODRUFF | 1 | |
| 34 | 6G5-44323-00-00 | .OUTER PLATE, CARTRIDGE | 1 | |
| 35 | 6E5-44315-A0-00 | .GASKET, WATER PUMP | 1 | |
| 36 | 93606-12019-00 | .PIN, DOWEL | 2 | |
| 37 | 90119-08M14-00 | .BOLT, WITH WASHER | 4 | |
| 38 | 6E5-45331-00-94 | HOUSING, BEARING | 1 | |
| 39 | 93101-28M16-00 | .OIL SEAL | 2 | |
| 40 | 93317-330U2-00 | BEARING | 1 | |
| 41 | 6E5-45587-01-12 | SHIM (T:0.12MM) | 1 | UR |
| 41 | 6E5-45587-01-30 | SHIM (T:0.30MM) | 1 | UR |
| 41 | 6E5-45587-01-50 | SHIM (T:0.50MM) | 1 | UR |
| 41 | 6E5-45587-01-40 | SHIM (T:0.40MM) | 1 | UR |
| 41 | 6E5-45587-01-15 | SHIM (T:0.15MM) | 1 | UR |
| 41 | 6E5-45587-01-18 | SHIM (T:0.18MM) | 1 | UR |
| 41 | 6E5-45587-01-10 | SHIM (T:0.10MM) | 1 | UR |
| 42 | 93341-930V2-00 | BEARING | 1 | |
| 43 | 93210-55M14-00 | .O-RING | 1 | |
| 44 | 6E5-45344-00-00 | COVER, OIL SEAL | 1 | |
| 45 | 97095-08025-00 | BOLT | 4 | |
| 46 | 92995-08600-00 | WASHER | 4 | |
| 47 | 6G5-45501-21-00 | DRIVE SHAFT COMP. | 1 | UR X |
| 47 | 6G5-45501-01-00 | DRIVE SHAFT COMP. | 1 | UR L |
| 48 | 6G5-45551-10-00 | PINION (14T) | 1 | |
| 49 | 90170-16M01-00 | NUT | 1 | |
| 50 | 6G5-45560-10-00 | GEAR 1 (26T) | 1 | |
| 51 | 93315-425V3-00 | .BEARING | 2 | |
| 52 | 6J9-45611-01-00 | SHAFT, PROPELLER | 1 | |
| 53 | 6E5-45641-02-00 | SHIFTER | 1 | |
| 54 | 6E5-45634-01-00 | SLIDE, SHIFT | 1 | |
| 55 | 90501-16M37-00 | SPRING, COMPRESSION | 1 | |
| 56 | 93507-32009-00 | .BALL | 2 | |
| 57 | 93511-32017-00 | BALL | 2 | |
| 58 | 93503-16003-00 | BALL | 2 | |
| 59 | 90250-08M07-00 | PIN, STRAIGHT | 1 | |
| 60 | 6G5-45631-10-00 | CLUTCH, DOG | 1 | |
| 61 | 6E5-45633-01-00 | RING, CROSS PIN | 1 | |

| | | | | |
|----|-----------------|------------------|---|----|
| 62 | 619-45332-00-94 | HOUSING, BEARING | 1 | |
| 63 | 93306-209U0-00 | BEARING | 1 | |
| 64 | 6G5-45571-02-00 | GEAR 2 (26T) | 1 | |
| 65 | 6G5-45576-10-00 | WASHER, THRUST 2 | 1 | |
| 66 | 93315-430U8-00 | BEARING | 1 | |
| 67 | 93101-30M17-00 | .OIL SEAL | 2 | |
| 68 | 93210-97M55-00 | .O-RING | 1 | |
| 69 | 6G5-45577-02-12 | SHIM (T:0.12MM) | 1 | UR |
| 69 | 6G5-45577-02-30 | SHIM (T:0.30MM) | 1 | UR |
| 69 | 6G5-45577-02-50 | SHIM (T:0.50MM) | 1 | UR |
| 69 | 6G5-45577-02-40 | SHIM (T:0.40MM) | 1 | UR |
| 69 | 6G5-45577-02-15 | SHIM (T:0.15MM) | 1 | UR |
| 69 | 6G5-45577-02-18 | SHIM (T:0.18MM) | 1 | UR |
| 69 | 6G5-45577-02-10 | SHIM (T:0.10MM) | 1 | UR |
| 70 | 90201-30M92-00 | WASHER, PLATE | 1 | |
| 71 | 90282-04M00-00 | KEY, STRAIGHT | 1 | |
| 72 | 6G5-45383-01-00 | WASHER, CLAW | 1 | |
| 73 | 6G5-45384-00-00 | NUT | 1 | |

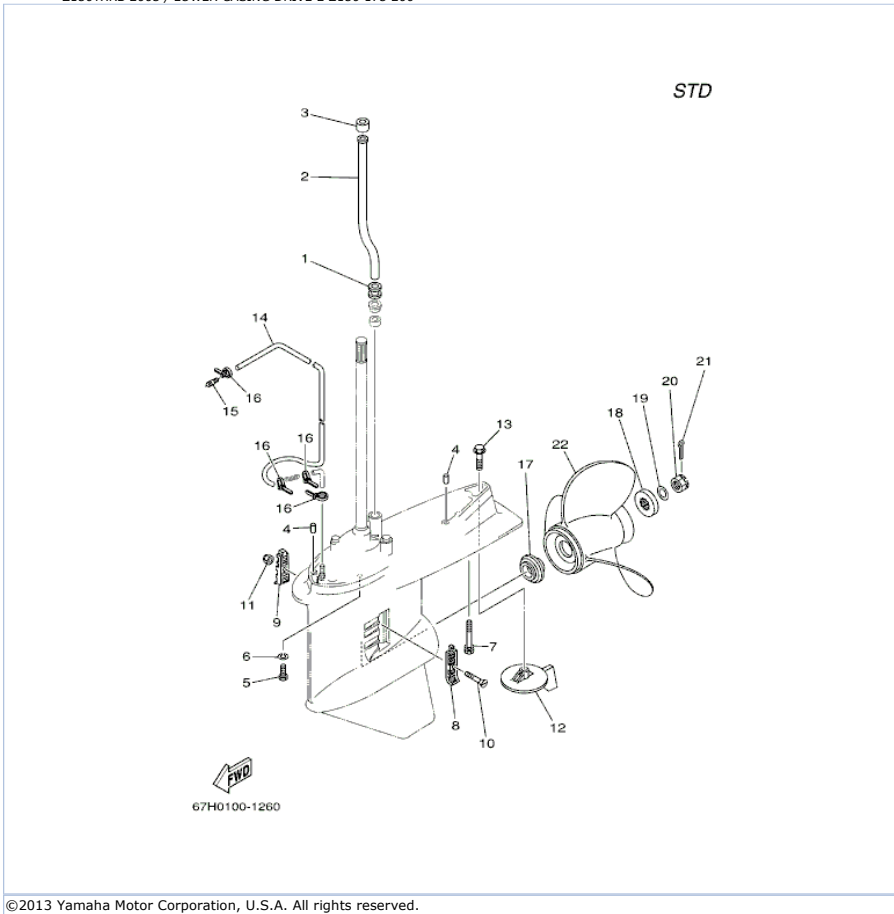
Part Notes

Z150TXRB 2003 / LOWER CASING DRIVE 1 Z150 175 200

| PART NUMBER | | NOTE TEXT |
|-----------------|---|---|
| 90430-08020-00 |  | OEM: This part number is among the Top 100 Most Popular Marine Maintenance Parts as of August 2013. |
| 90201-22M01-00 |  | OEM: This part number is among the Top 100 Most Popular Marine Maintenance Parts as of August 2013. |
| 61A-45527-00-00 |  | OEM: This part number is among the Top 100 Most Popular Marine Maintenance Parts as of August 2013. |
| 61A-45538-00-00 |  | OEM: This part number is among the Top 100 Most Popular Marine Maintenance Parts as of August 2013. |
| 93106-09014-00 |  | OEM: This part number is among the Top 100 Most Popular Marine Maintenance Parts as of August 2013. |
| 61A-44311-01-00 |  | OEM: This part number is among the Top 100 Most Popular Marine Maintenance Parts as of August 2013. |
| 93210-86M38-00 |  | OEM: This part number is among the Top 100 Most Popular Marine Maintenance Parts as of August 2013. |
| 6E5-44352-01-00 |  | OEM: This part number is among the Top 100 Most Popular Marine Maintenance Parts as of August 2013. |
| 93101-28M16-00 |  | OEM: This part number is among the Top 100 Most Popular Marine Maintenance Parts as of August 2013. |
| 93101-30M17-00 |  | OEM: This part number is among the Top 100 Most Popular Marine Maintenance Parts as of August 2013. |

©2013 Yamaha Motor Corporation, U.S.A. All rights reserved.

Z150TXRB 2003 / LOWER CASING DRIVE 2 Z150 175 200



©2013 Yamaha Motor Corporation, U.S.A. All rights reserved.



Part List

Z150TXRB 2003 / LOWER CASING DRIVE 2 Z150 175 200

| REF - NO | PART NUMBER | PART NAME | QUANTITY | REMARKS |
|----------|-----------------|--------------------------------|----------|---------|
| 1 | 6E5-44366-00-00 | DAMPER, WATER SEAL 2 | 1 | |
| 2 | 6E5-44361-20-00 | TUBE, WATER 1 | 1 | UR X |
| 2 | 6E5-44361-00-00 | TUBE, WATER 1 | 1 | UR L |
| 3 | 6E5-44365-00-00 | DAMPER, WATER SEAL 1 | 1 | |
| 4 | 93608-12M05-00 | PIN, DOWEL | 2 | |
| 5 | 97075-10045-00 | BOLT | 6 | |
| 6 | 92995-10100-00 | WASHER | 6 | |
| 7 | 90119-10M89-00 | BOLT, WITH WASHER | 1 | |
| 8 | 6J9-45214-00-00 | COVER, WATER INLET 1 | 1 | |
| 9 | 6J9-45215-00-00 | COVER, WATER INLET 2 | 1 | |
| 10 | 90152-05M08-00 | SCREW, COUNTERSUNK | 1 | |
| 11 | 90185-05002-00 | NUT, NYLON | 1 | |
| 12 | 6J9-45371-01-00 | TAB-TRIM | 1 | |
| 13 | 90105-10M00-00 | BOLT, FLANGE | 1 | |
| 14 | 90445-07M33-00 | HOSE (L1080) | 1 | |
| 15 | 6E5-83558-00-00 | END, NIPPLE | 1 | |
| 16 | 90465-11M10-00 | CLAMP | 4 | |
| 17 | 6E5-45987-01-00 | SPACER 1 | 1 | |
| 18 | 688-45997-01-00 | SPACER 2 | 1 | |
| 19 | 92990-18200-00 | WASHER | 1 | |
| 20 | 90171-18M04-00 | NUT, CASTLE | 1 | |
| 21 | 91490-40030-00 | PIN, COTTER | 1 | |
| 22 | 6G5-45941-00-98 | PROPELLER (3X15-1/4"X15"-M) | 1 | UR |
| 22 | 6R4-45974-A0-00 | PROPELLER (3X14-1/2"X23"-M) | 1 | UR |
| 22 | 6G5-45949-00-98 | PROPELLER (3X13-1/2"X23"-M) | 1 | UR |
| 22 | 6G5-45972-02-98 | PROPELLER (3X13-3/4"X21"-M) | 1 | UR |
| 22 | 6G5-45976-01-98 | PROPELLER (3X13-3/8"X23"-M) | 1 | UR |
| 22 | 6G5-45930-00-98 | PROPELLER (3X13-3/8"X25"-M) | 1 | UR |
| 22 | 6G5-45952-00-98 | PROPELLER (3X14-5/8"X16"-M) | 1 | UR |
| 22 | 6G5-45947-01-98 | PROPELLER (3X14-1/2"X17"-M) | 1 | UR |
| 22 | 6G5-45970-02-98 | PROPELLER (3X15-1/4"X15"-M) | 1 | UR |
| 22 | 6G5-45932-00-98 | PROPELLER (3X15-3/4"X13"-M) | 1 | UR |
| 22 | 6G5-45974-03-98 | PROPELLER (3X13-3/4"X19"-M2) | 1 | UR |
| 22 | 6G5-45978-03-98 | PROPELLER (3X13-3/4"X17"-M2) | 1 | UR |
| 22 | 6G5-45943-01-98 | PROPELLER (3X13-3/4"X21"-M) | 1 | UR |
| 22 | 6R4-45976-A0-00 | PROPELLER (3X14-1/2"X15"-M) | 1 | UR |
| 22 | 6R4-45978-A0-00 | PROPELLER (3X15-1/4"X17"-M) | 1 | UR |
| 22 | 6R4-45970-A0-00 | PROPELLER (3 X15-1/4" X19"R-M) | 1 | UR |
| 22 | 6R4-45972-A0-00 | PROPELLER (3X14-7/8"X21"-M) | 1 | UR |
| 22 | 6G5-45945-01-98 | PROPELLER (3X14"X19"-M) | 1 | UR |

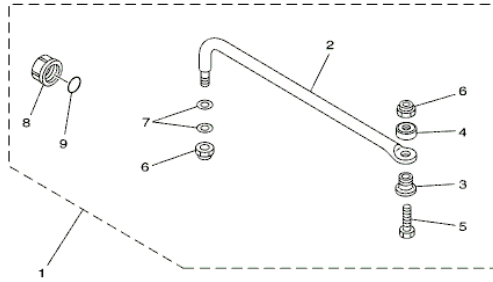
Part Notes

Z150TXRB 2003 / LOWER CASING DRIVE 2 Z150 175 200

| PART NUMBER | NOTE TEXT |
|---|---|
| 6J9-45371-01-00  | OEM: This part number is among the Top 100 Most Popular Marine Maintenance Parts as of August 2013. |
| 90105-10M00-00  | OEM: This part number is among the Top 100 Most Popular Marine Maintenance Parts as of August 2013. |
| 91490-40030-00  | OEM: This part number is among the Top 100 Most Popular Marine Maintenance Parts as of August 2013. |

©2013 Yamaha Motor Corporation, U.S.A. All rights reserved.

Z150TXRB 2003 / STEERING GUIDE ATTACHMENT



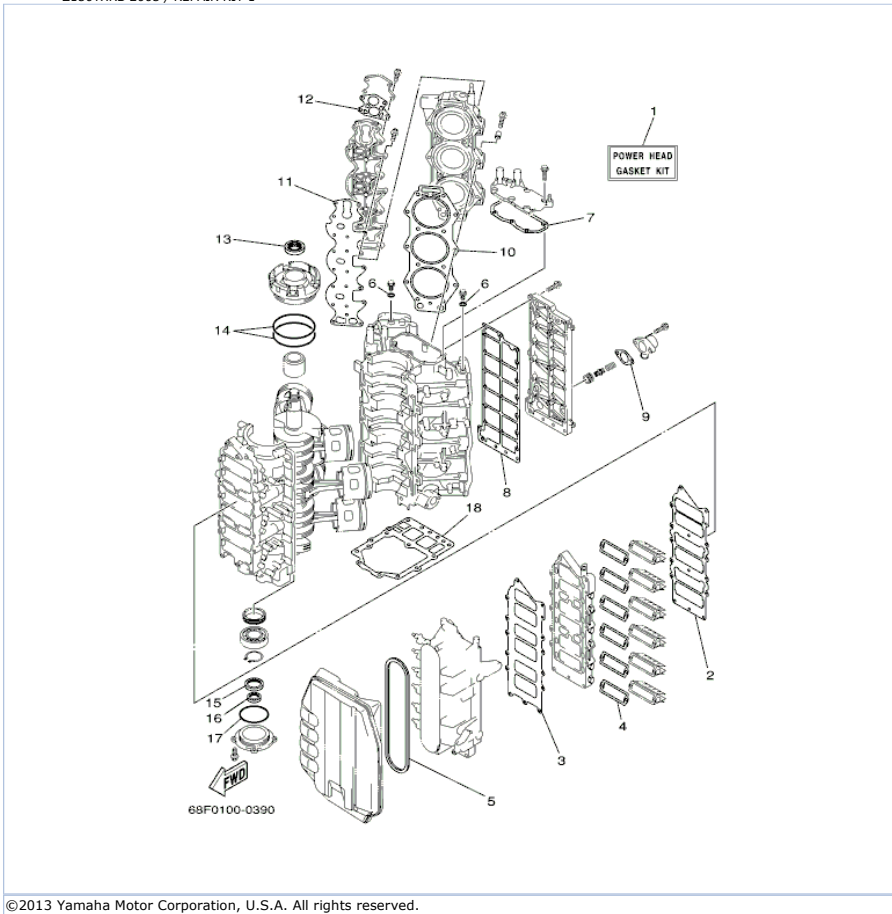
67H0100-9290

Part List

Z150TXRB 2003 / STEERING GUIDE ATTACHMENT

| REF - NO | PART NUMBER | PART NAME | QUANTITY | REMARKS |
|----------------|-----------------|----------------------------------|----------|---------------------|
| 1 | 6E5-61350-02-00 | STEERING GUIDE ATTACHMENT KIT | 1 | AP Z150, Z175, Z200 |
| 2 | 6E5-61351-01-00 | .ROD, STEERING LINK | 1 | |
| 3 | 90387-10M61-00 | .COLLAR | 1 | |
| 4 | 90560-12M01-00 | .SPACER | 1 | |
| 5 | 6E5-61355-00-00 | .BOLT | 1 | |
| 6 | 90185-09M01-00 | .NUT, SELF-LOCKING | 2 | |
| 7 | 90201-10M20-00 | .WASHER, PLATE | 2 | |
| 8 | 6E5-43145-01-00 | .CAP, CLAMP BRACKET | 1 | |
| 9 | 93210-16275-00 | .O-RING | 1 | |

Z150TXRB 2003 / REPAIR KIT 1



©2013 Yamaha Motor Corporation, U.S.A. All rights reserved.


Part List

Z150TXRB 2003 / REPAIR KIT 1

| REF - NO | PART NUMBER | PART NAME | QUANTITY | REMARKS |
|----------------|-----------------|---------------------------------|----------|---------|
| 1 | 68F-W0001-00-00 | POWER HEAD GASKET KIT | 1 | |
| 2 | 65L-13645-00-00 | .GASKET, MANIFOLD 1 | 1 | |
| 3 | 65L-13646-00-00 | .GASKET, MANIFOLD 2 | 1 | |
| 4 | 61A-13621-A0-00 | .GASKET, VALVE SEAT | 6 | |
| 5 | 65L-14483-00-00 | .GASKET | 1 | |
| 6 | 90430-14115-00 | .GASKET | 2 | |
| 7 | 68F-11381-00-00 | .GASKET 1 | 1 | |
| 8 | 68F-41114-00-00 | .GASKET, EXHAUST OUTER COVER | 1 | |
| 9 | 6G5-11382-A1-00 | .GASKET 2 | 1 | |
| 10 | 68F-11181-00-00 | .GASKET, CYLINDER HEAD 1 | 2 | |
| 11 | 68F-11193-01-00 | .GASKET, HEAD COVER 1 | 2 | |
| 12 | 688-12414-A1-00 | .GASKET, COVER | 2 | |
| 13 | 93102-40M14-00 | .OIL SEAL | 1 | |
| 14 | 93211-04001-00 | .O-RING | 2 | |
| 15 | 93102-35M61-00 | .OIL SEAL | 1 | |
| 16 | 93101-22M15-00 | .OIL SEAL | 1 | |
| 17 | 93210-74M35-00 | .O-RING | 1 | |
| 18 | 68F-45113-00-00 | .GASKET, UPPER CASING | 1 | |

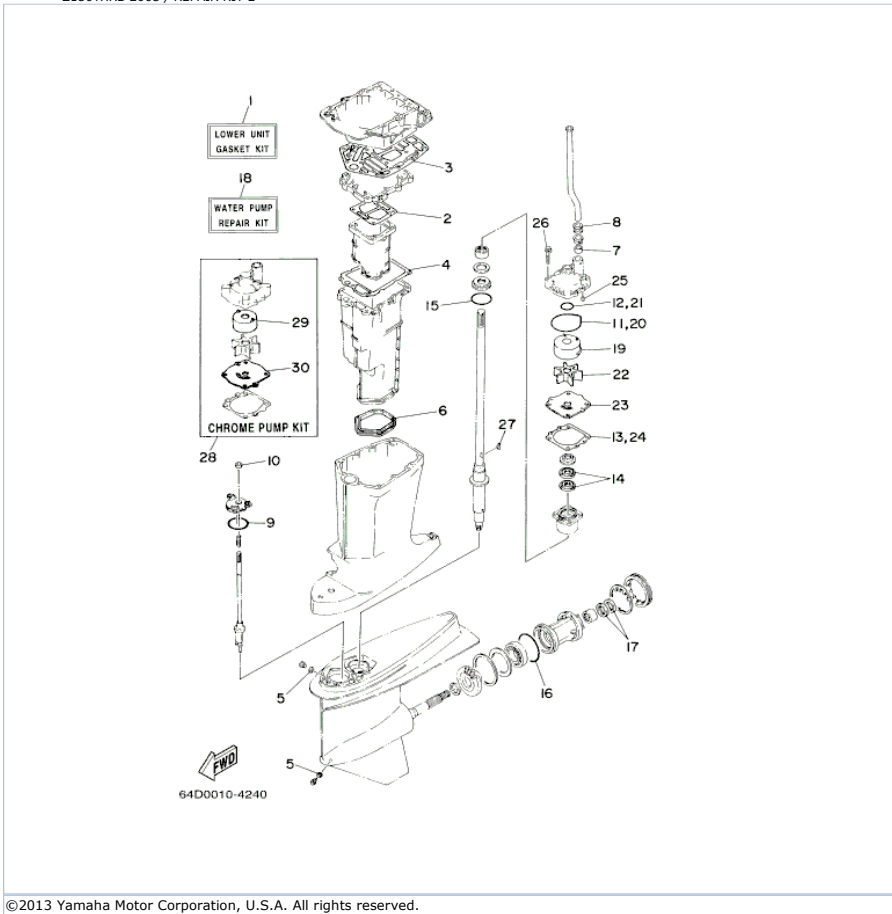
Part Notes

Z150TXRB 2003 / REPAIR KIT 1

| PART NUMBER | NOTE TEXT |
|---|---|
| 688-12414-A1-00  | OEM: This part number is among the Top 100 Most Popular Marine Maintenance Parts as of August 2013. |

©2013 Yamaha Motor Corporation, U.S.A. All rights reserved.

Z150TXRB 2003 / REPAIR KIT 2



©2013 Yamaha Motor Corporation, U.S.A. All rights reserved.





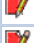


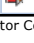
Part List

Z150TXRB 2003 / REPAIR KIT 2

| REF - NO | PART NUMBER | PART NAME | QUANTITY | REMARKS |
|----------|-----------------|---------------------------|----------|---------|
| 1 | 6G5-W0001-C1-00 | LOWER UNIT GASKET KIT | 1 | |
| 2 | 6G5-41134-A1-00 | .GASKET, EXHAUST MANIFOLD | 1 | |
| 3 | 6G5-45114-A1-00 | .GASKET, UPPER CASING | 1 | |
| 4 | 6E5-41135-A0-00 | .GASKET, EXHAUST MANIFOLD | 1 | |
| 5 | 90430-08020-00 | .GASKET | 2 | |
| 6 | 6E5-45123-00-00 | .GASKET, MUFFLER | 1 | |
| 7 | 6E5-44365-00-00 | .DAMPER, WATER SEAL 1 | 1 | |
| 8 | 6E5-44366-00-00 | .DAMPER, WATER SEAL 2 | 1 | |
| 9 | 93210-58144-00 | .O-RING | 1 | |
| 10 | 93106-09014-00 | .OIL SEAL | 1 | |
| 11 | 93210-86M38-00 | .O-RING | 1 | |
| 12 | 93210-37160-00 | .O-RING | 1 | |
| 13 | 6E5-44315-A0-00 | .GASKET, WATER PUMP | 1 | |
| 14 | 93101-28M16-00 | .OIL SEAL | 2 | |
| 15 | 93210-55M14-00 | .O-RING | 1 | |
| 16 | 93210-97M55-00 | .O-RING | 1 | |
| 17 | 93101-30M17-00 | .OIL SEAL | 2 | |
| 18 | 61A-W0078-A3-00 | WATER PUMP REPAIR KIT | 1 | |
| 19 | 61A-44322-02-00 | .INSERT, CARTRIDGE | 1 | |
| 20 | 93210-86M38-00 | .O-RING | 1 | |
| 21 | 93210-37160-00 | .O-RING | 1 | |
| 22 | 6E5-44352-01-00 | .IMPELLER | 1 | |
| 23 | 6G5-44323-00-00 | .OUTER PLATE, CARTRIDGE | 1 | |
| 24 | 6E5-44315-A0-00 | .GASKET, WATER PUMP | 1 | |
| 25 | 93606-12019-00 | .PIN, DOWEL | 2 | |
| 26 | 90119-08M14-00 | .BOLT, WITH WASHER | 4 | |
| 27 | 90280-04M05-00 | .KEY, WOODRUFF | 1 | |
| 28 | 61A-W0078-2A-00 | CHROME PUMP KIT | 1 | |
| 29 | 6R3-44322-42-00 | .INSERT, CARTRIDGE | 1 | |
| 30 | 6G5-44323-40-00 | .OUTER PLATE, CARTRIDGE | 1 | |

Part Notes

Z150TXRB 2003 / REPAIR KIT 2

| PART NUMBER | | NOTE TEXT |
|-----------------|---|---|
| 90430-08020-00 |  | OEM: This part number is among the Top 100 Most Popular Marine Maintenance Parts as of August 2013. |
| 93106-09014-00 |  | OEM: This part number is among the Top 100 Most Popular Marine Maintenance Parts as of August 2013. |
| 93210-86M38-00 |  | OEM: This part number is among the Top 100 Most Popular Marine Maintenance Parts as of August 2013. |
| 93101-28M16-00 |  | OEM: This part number is among the Top 100 Most Popular Marine Maintenance Parts as of August 2013. |
| 93101-30M17-00 |  | OEM: This part number is among the Top 100 Most Popular Marine Maintenance Parts as of August 2013. |
| 61A-W0078-A3-00 |  | OEM: This part number is among the Top 100 Most Popular Marine Maintenance Parts as of August 2013. |
| 93210-86M38-00 |  | OEM: This part number is among the Top 100 Most Popular Marine Maintenance Parts as of August 2013. |
| 6E5-44352-01-00 |  | OEM: This part number is among the Top 100 Most Popular Marine Maintenance Parts as of August 2013. |

©2013 Yamaha Motor Corporation, U.S.A. All rights reserved.

©2013 Yamaha Motor Corporation, U.S.A. All rights reserved.