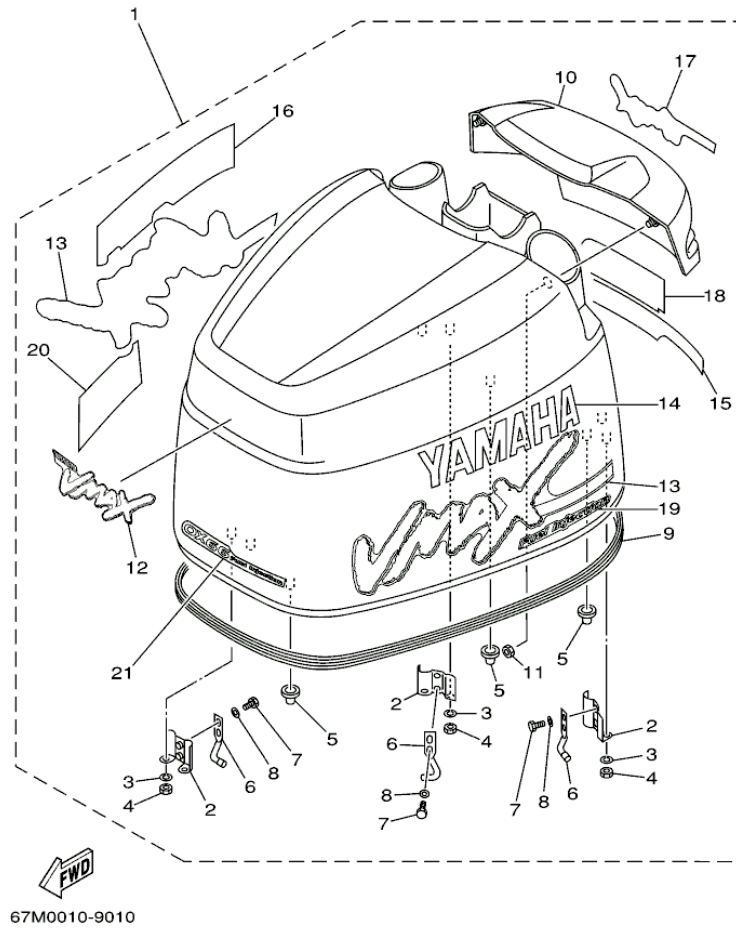


VX150TLRZ 2001 / TOP COWLING



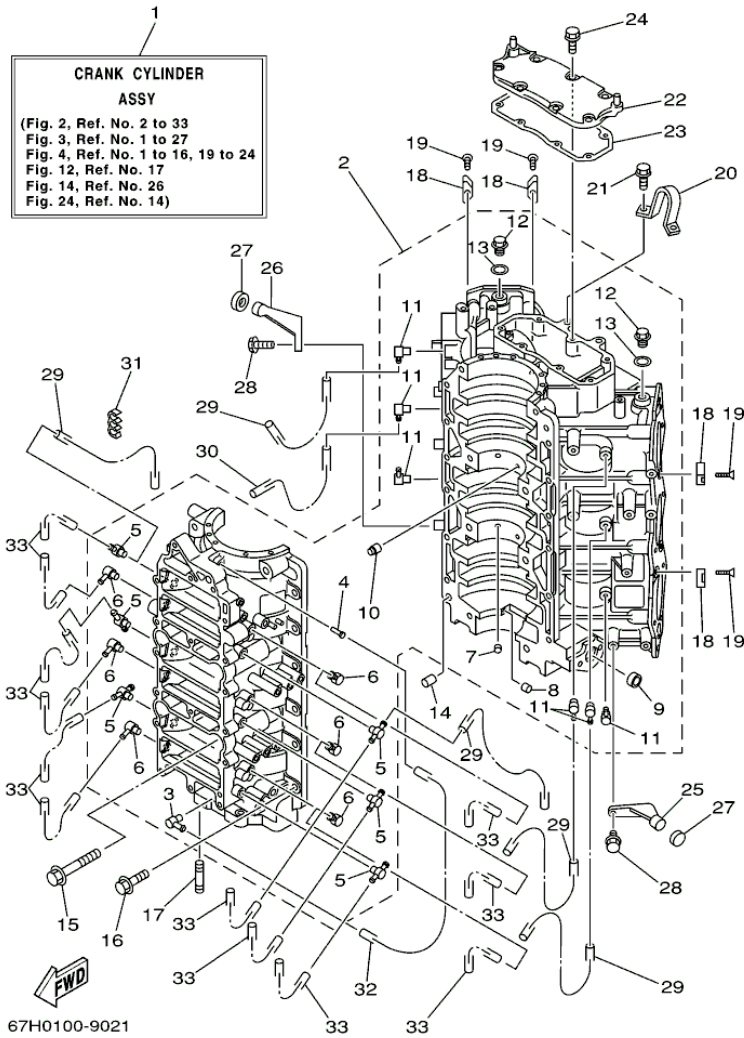
©2013 Yamaha Motor Corporation, U.S.A. All rights reserved.

Part List

VX150TLRZ 2001 / TOP COWLING

| REF - NO | PART NUMBER | PART NAME | QUANTITY | REMARKS |
|----------------|-----------------|---------------------|----------|---------|
| 1 | 67M-42610-N0-NA | TOP COWLING ASSY | 1 | (67M0) |
| 2 | 6R3-42647-00-00 | .HOLDER, CLAMP BAND | 3 | (67M0) |
| 3 | 92990-06100-00 | .WASHER, SPRING | 6 | (67M0) |
| 4 | 95380-06600-00 | .NUT, HEXAGON | 6 | (67M0) |
| 5 | 64D-42662-00-00 | .DAMPER | 3 | (67M0) |
| 6 | 64D-42814-00-00 | .HOOK, CLAMP | 3 | (67M0) |
| 7 | 97095-06012-00 | .BOLT | 6 | (67M0) |
| 8 | 92995-06600-00 | .WASHER | 6 | (67M0) |
| 9 | 64D-42615-00-00 | .SEAL | 1 | (67M0) |
| 10 | 64L-42613-00-NA | .MOLDING, AIR DUCT | 1 | (67M0) |
| 11 | 90179-06M24-00 | .NUT | 4 | (67M0) |
| 12 | 65N-42677-N0-00 | .GRAPHIC, FRONT | 1 | (67M0) |
| 13 | 65N-W0070-N1-00 | .GRAPHIC SET | 1 | (67M0) |
| 14 | 65N-42681-N0-00 | .MARK, COWLING | 1 | (67M0) |
| 15 | 67M-4267A-N0-00 | .GRAPHIC, REAR 2 | 1 | (67M0) |
| 16 | 65N-42682-N0-00 | .MARK, COWLING | 1 | (67M0) |
| 17 | 64L-42678-N0-00 | .GRAPHIC, REAR | 1 | (67M0) |
| 18 | 67M-42683-N0-00 | .MARK, COWLING | 1 | (67M0) |
| 19 | 67M-42681-N0-00 | .MARK, COWLING | 1 | (67M0) |
| 20 | 67M-42682-N0-00 | .MARK, COWLING | 1 | (67M0) |
| 21 | 67M-42677-N0-00 | .GRAPHIC, FRONT | 1 | (67M0) |

VX150TLRZ 2001 / CYLINDER CRANKCASE



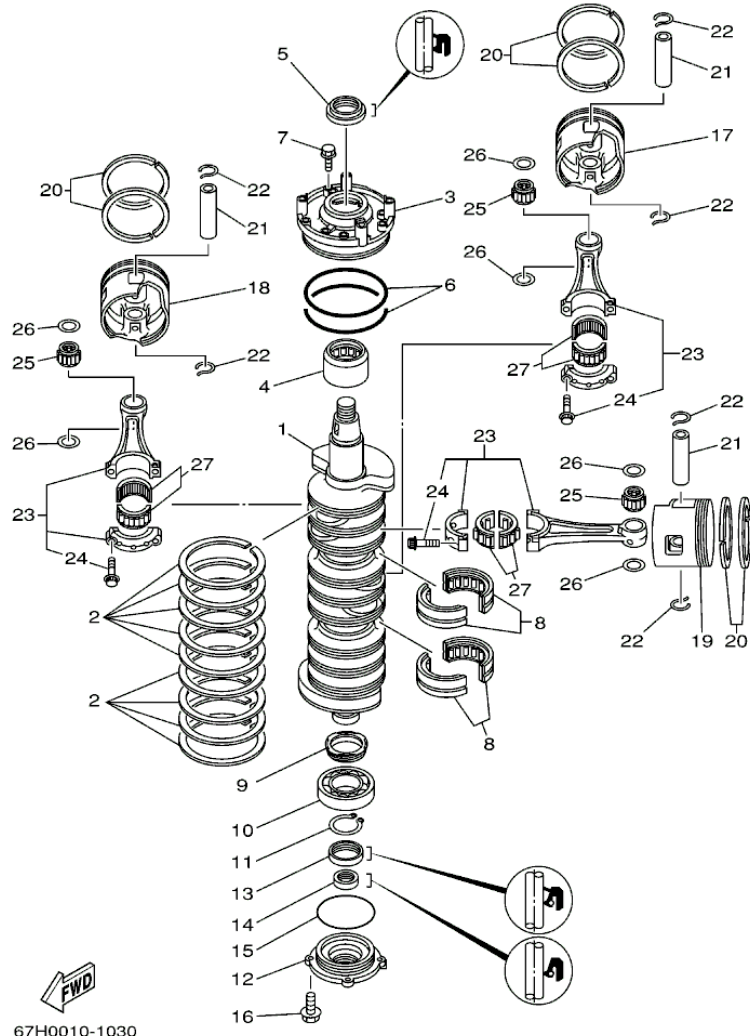
©2013 Yamaha Motor Corporation, U.S.A. All rights reserved.

Part List

VX150TLRZ 2001 / CYLINDER CRANKCASE

| REF - NO | PART NUMBER | PART NAME | QUANTITY | REMARKS |
|----------------|-----------------|-------------------------------|----------|---------|
| 1 | 67M-W0090-11-1S | CRANK CYLINDER ASSY | 1 | (67M0) |
| 2 | 67M-15100-00-1S | CRANKCASE ASSY | 1 | (67M0) |
| 3 | 6E5-11372-00-00 | .NIPPLE, HOSE | 1 | (67M0) |
| 4 | 624-14485-00-00 | .PIPE, JOINT | 1 | (67M0) |
| 5 | 6F6-11372-00-00 | .NIPPLE, HOSE | 6 | (67M0) |
| 6 | 650-11372-00-00 | .NIPPLE, HOSE | 6 | (67M0) |
| 7 | 624-11379-00-00 | .VALVE, CHECK | 2 | (67M0) |
| 8 | 90384-06M07-00 | .BUSH, BIMETAL FORMED | 1 | (67M0) |
| 9 | 90384-14M09-00 | .BUSH, BIMETAL FORMED | 1 | (67M0) |
| 10 | 663-11518-01-00 | .LOCK, BEARING | 2 | (67M0) |
| 11 | 646-11370-00-00 | .CHECK VALVE ASSY | 6 | (67M0) |
| 12 | 90340-14M00-00 | .PLUG, STRAIGHT SCREW | 2 | (67M0) |
| 13 | 90430-14115-00 | .GASKET | 2 | (67M0) |
| 14 | 93608-12063-00 | PIN, DOWEL | 2 | (67M0) |
| 15 | 90105-10M20-00 | BOLT, FLANGE | 8 | (67M0) |
| 16 | 90119-08M94-00 | BOLT, WITH WASHER | 12 | (67M0) |
| 17 | 90116-08M45-00 | BOLT, STUD | 2 | (67M0) |
| 18 | 6E5-11325-00-00 | ANODE | 8 | (67M0) |
| 19 | 98780-04015-00 | SCREW, FLAT HEAD | 8 | (67M0) |
| 20 | 67H-11119-01-00 | HANGER, ENGINE | 1 | (67M0) |
| 21 | 90119-08MA3-00 | BOLT, WITH WASHER | 2 | (67M0) |
| 22 | 6K7-11371-01-1S | COVER | 1 | (67M0) |
| 23 | 6E5-11381-A2-00 | .GASKET 1 | 1 | (67M0) |
| 24 | 90119-06MA2-00 | BOLT, WITH WASHER | 7 | (67M0) |
| 25 | 6E5-42761-00-1S | STOPPER | 1 | (67M0) |
| 26 | 6E5-42762-00-1S | STOPPER | 1 | (67M0) |
| 27 | 68F-44533-00-00 | DAMPER, UPPER MOUNT RUBBER | 2 | (67M0) |
| 28 | 90119-06MA2-00 | BOLT, WITH WASHER | 4 | (67M0) |
| 29 | 90445-07MA4-00 | HOSE (L280) | 5 | (67M0) |
| 30 | 90445-07M45-00 | HOSE (L340) | 1 | (67M0) |
| 31 | 90464-07M05-00 | CLAMP | 1 | (67M0) |
| 32 | 90445-07M10-00 | HOSE (L510) | 1 | (67M0) |
| 33 | 90445-07MA6-00 | HOSE (L90) | 12 | (67M0) |

VX150TLRZ 2001 / CRANKSHAFT PISTON



67H0010-1030

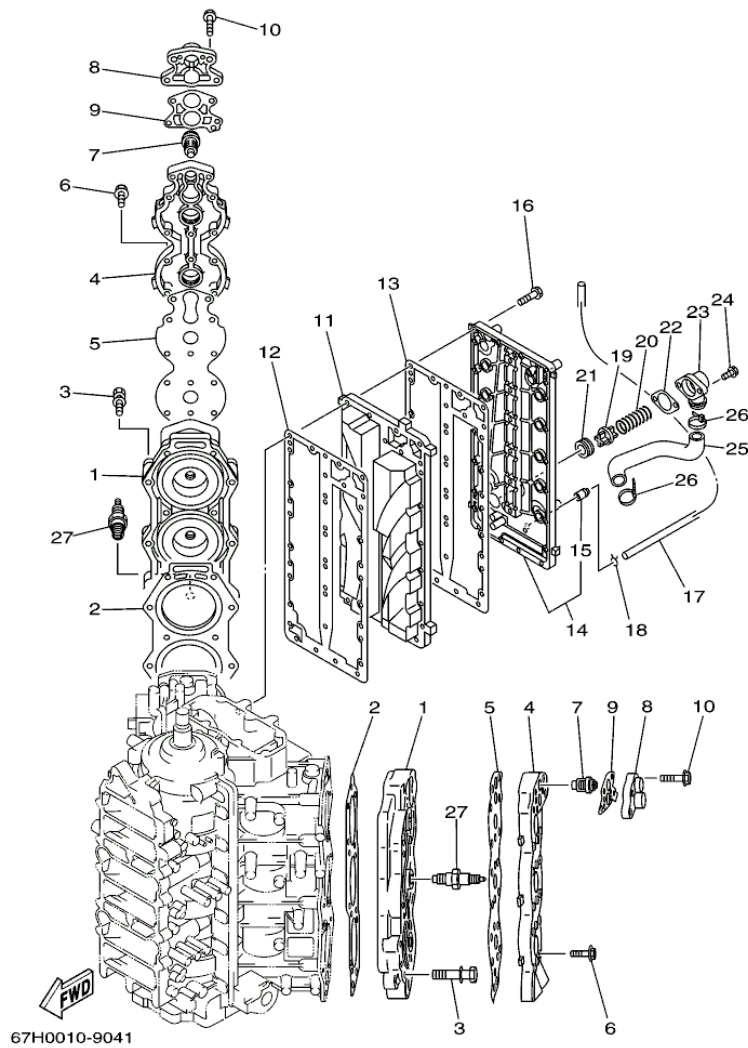
©2013 Yamaha Motor Corporation, U.S.A. All rights reserved.

Part List

VX150TLRZ 2001 / CRANKSHAFT PISTON

| REF - NO | PART NUMBER | PART NAME | QUANTITY | REMARKS |
|----------------|-----------------|------------------------------|----------|--------------|
| 1 | 67H-11411-00-00 | CRANKSHAFT | 1 | (67M0) |
| 2 | 6E5-11447-00-00 | SEAL, CRANK | 9 | (67M0) |
| 3 | 67H-15163-00-1S | HOUSING, BEARING 1 | 1 | (67M0) |
| 4 | 93311-940U3-00 | BEARING | 1 | (67M0) |
| 5 | 93102-40M14-00 | .OIL SEAL | 1 | (67M0) |
| 6 | 93211-04001-00 | .O-RING | 2 | (67M0) |
| 7 | 90119-06MA3-00 | BOLT, WITH WASHER | 4 | (67M0) |
| 8 | 93310-954U1-00 | BEARING | 2 | (67M0) |
| 9 | 6R3-11536-00-00 | GEAR, DRIVE | 1 | (67M0) |
| 10 | 93306-208U0-00 | BEARING | 1 | (67M0) |
| 11 | 93410-40M03-00 | CIRCLIP | 1 | (67M0) |
| 12 | 6G5-15359-00-94 | HOUSING, OIL SEAL | 1 | (67M0) |
| 13 | 93102-35M13-00 | OIL SEAL | 1 | (67M0) |
| 14 | 93101-22M15-00 | .OIL SEAL | 1 | (67M0) |
| 15 | 93210-74M35-00 | .O-RING | 1 | (67M0) |
| 16 | 90119-06MA2-00 | BOLT, WITH WASHER | 4 | (67M0) |
| 17 | 68F-11636-01-00 | PISTON (0.50MM O/S) | 2 | AP (67M0) |
| 17 | 68F-11631-01-85 | PISTON (STD) | 2 | 3,5 (67M0) |
| 17 | 68F-11635-01-00 | PISTON (0.25MM O/S) | 2 | AP (67M0) |
| 18 | 68F-11631-01-85 | PISTON (STD) | 1 | 1 (67M0) |
| 18 | 68F-11635-01-00 | PISTON (0.25MM O/S) | 1 | AP (67M0) |
| 18 | 68F-11636-01-00 | PISTON (0.50MM O/S) | 1 | AP (67M0) |
| 19 | 64D-11646-02-00 | PISTON 2 (0.50MM O/S) | 3 | AP (67M0) |
| 19 | 64D-11645-02-00 | PISTON 2 (0.25MM O/S) | 3 | AP (67M0) |
| 19 | 64D-11642-02-90 | PISTON 2 (STD) | 3 | 2,4,6 (67M0) |
| 20 | 64D-11603-01-00 | PISTON RING SET (STD) | 6 | (67M0) |
| 20 | 64D-11604-01-00 | PISTON RING SET (0.25MM O/S) | 6 | AP (67M0) |
| 20 | 64D-11605-01-00 | PISTON RING SET (0.50MM O/S) | 6 | AP (67M0) |
| 21 | 6R5-11633-10-00 | PIN, PISTON | 6 | (67M0) |
| 22 | 6R5-11634-10-00 | CLIP, PISTON PIN | 12 | (67M0) |
| 23 | 6R5-11650-10-00 | CONNECTING ROD ASSY | 6 | (67M0) |
| 24 | 90109-08M71-00 | .BOLT | 2 | (67M0) |
| 25 | 93310-323V6-00 | BEARING | 6 | (67M0) |
| 26 | 90201-23M01-00 | WASHER, PLATE | 12 | (67M0) |
| 27 | 93310-836U0-00 | BEARING | 6 | (67M0) |

VX150TLRZ 2001 / CYLINDER CRANKCASE 2



©2013 Yamaha Motor Corporation, U.S.A. All rights reserved.



Part List

VX150TLRZ 2001 / CYLINDER CRANKCASE 2

| REF - NO | PART NUMBER | PART NAME | QUANTITY | REMARKS |
|----------------|-----------------|--------------------------------|----------|---------|
| 1 | 6G5-11111-04-1S | HEAD, CYLINDER 1 | 2 | (67M0) |
| 2 | 6G5-11181-A1-00 | GASKET, CYLINDER HEAD 1 | 2 | (67M0) |
| 3 | 90119-08MA8-00 | BOLT, WITH WASHER | 28 | (67M0) |
| 4 | 6G5-11191-00-1S | COVER, CYLINDER HEAD 1 | 2 | (67M0) |
| 5 | 6G5-11193-A0-00 | .GASKET, HEAD COVER 1 | 2 | (67M0) |
| 6 | 90119-06MA4-00 | BOLT, WITH WASHER | 36 | (67M0) |
| 7 | 6E5-12411-20-00 | THERMOSTAT | 2 | (67M0) |
| 8 | 688-12413-00-1S | COVER, THERMOSTAT | 2 | (67M0) |
| 9 | 688-12414-A1-00 | .GASKET, COVER | 2 | (67M0) |
| 10 | 90119-06MA6-00 | BOLT, WITH WASHER | 8 | (67M0) |
| 11 | 64D-41111-00-1S | INNER COVER, EXHAUST | 1 | (67M0) |
| 12 | 6G5-41112-A1-00 | GASKET, EXHAUST INNER COVER | 1 | (67M0) |
| 13 | 6G5-41112-A1-00 | GASKET, EXHAUST INNER COVER | 1 | (67M0) |
| 14 | 67H-41113-00-1S | OUTER COVER, EXHAUST | 1 | (67M0) |
| 15 | 650-24378-00-00 | .PIPE, JOINT 4 | 1 | (67M0) |
| 16 | 90119-06MA5-00 | BOLT, WITH WASHER | 29 | (67M0) |
| 17 | 90445-09M25-00 | HOSE (L600) | 1 | (67M0) |
| 18 | 90467-08004-00 | CLIP | 1 | (67M0) |
| 19 | 6G5-12416-00-00 | VALVE, PRESSURE CONTROL | 1 | (67M0) |
| 20 | 90501-16M11-00 | SPRING, COMPRESSION | 1 | (67M0) |
| 21 | 90480-20M05-00 | GROMMET | 1 | (67M0) |
| 22 | 6G5-11382-A1-00 | .GASKET 2 | 1 | (67M0) |
| 23 | 6G5-11372-00-1S | COVER, BYPASS 2 | 1 | (67M0) |
| 24 | 90119-06MA2-00 | BOLT, WITH WASHER | 2 | (67M0) |
| 25 | 67H-12576-00-00 | HOSE 1 | 1 | (67M0) |
| 26 | 90465-13M18-00 | CLAMP | 2 | (67M0) |
| 27 | NGK-BR7HS-10-00 | PLUG, SPARK (NGK BR7HS- 10) | 6 | (67M0) |

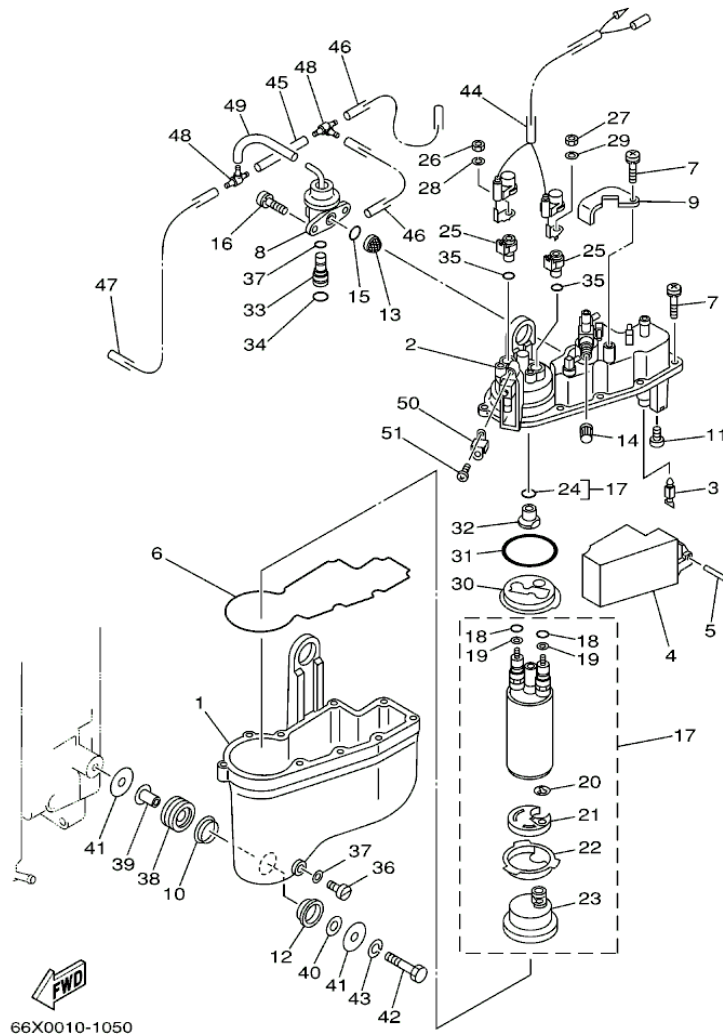
Part Notes

VX150TLRZ 2001 / CYLINDER CRANKCASE 2

| PART NUMBER | | NOTE TEXT |
|-----------------|---|---|
| 688-12414-A1-00 |  | OEM: This part number is among the Top 100 Most Popular Marine Maintenance Parts as of August 2013. |
| 90480-20M05-00 |  | OEM: This part number is among the Top 100 Most Popular Marine Maintenance Parts as of August 2013. |

©2013 Yamaha Motor Corporation, U.S.A. All rights reserved.

VX150TLRZ 2001 / FUEL INJECTION PUMP



©2013 Yamaha Motor Corporation, U.S.A. All rights reserved.


Part List

VX150TLRZ 2001 / FUEL INJECTION PUMP

| REF - NO | PART NUMBER | PART NAME | QUANTITY | REMARKS |
|----------------|-----------------|------------------------|----------|---------|
| 1 | 66K-14980-00-00 | BODY, FLOAT CHAMBER | 1 | (67M0) |
| 2 | 66K-14182-02-00 | COVER, FLOAT CHAMBER | 1 | (67M0) |
| 3 | 65L-14546-00-00 | VALVE, NEEDLE | 1 | (67M0) |
| 4 | 66K-14985-00-00 | FLOAT | 1 | (67M0) |
| 5 | 66K-14548-01-00 | PIN, FLOAT ARM | 1 | (67M0) |
| 6 | 66K-14984-00-00 | GASKET, FLOAT CHAMBER | 1 | (67M0) |
| 7 | 65L-14125-00-00 | SCREW | 10 | (67M0) |
| 8 | 66K-13906-00-00 | REGULATOR, PRESSURE | 1 | (67M0) |
| 9 | 66K-14255-00-00 | PLATE | 1 | (67M0) |
| 10 | 66K-14239-00-00 | SEAL | 3 | (67M0) |
| 11 | 66K-14325-01-00 | SCREW, PAN HEAD | 2 | (67M0) |
| 12 | 66K-14163-00-00 | SPACER | 3 | (67M0) |
| 13 | 65L-13905-00-00 | FILTER COMP | 1 | (67M0) |
| 14 | 65L-14966-00-00 | CAP | 1 | (67M0) |
| 15 | 65L-24486-00-00 | O-RING | 1 | (67M0) |
| 16 | 66K-14245-00-00 | SCREW, GUIDE | 2 | (67M0) |
| 17 | 66K-13907-00-00 | FUEL PUMP COMP. | 1 | (67M0) |
| 18 | 65L-14227-00-00 | .O-RING | 2 | (67M0) |
| 19 | 65L-14194-00-00 | .RING | 2 | (67M0) |
| 20 | 65L-14159-00-00 | .CLIP | 1 | (67M0) |
| 21 | 66K-13781-00-00 | .DAMPER, PUMP | 1 | (67M0) |
| 22 | 66K-13844-00-00 | .PLATE 2 | 1 | (67M0) |
| 23 | 66K-13915-00-00 | .FILTER | 1 | (67M0) |
| 24 | 65L-1416A-00-00 | .O-RING | 1 | (67M0) |
| 25 | 66K-14271-00-00 | INSULATOR | 2 | (67M0) |
| 26 | 65L-8182A-00-00 | NUT | 1 | (67M0) |
| 27 | 65L-8182K-00-00 | NUT | 1 | (67M0) |
| 28 | 65L-8182E-00-00 | WASHER | 1 | (67M0) |
| 29 | 65L-8182F-00-00 | WASHER | 1 | (67M0) |
| 30 | 66K-13843-00-00 | PLATE 1 | 1 | (67M0) |
| 31 | 65L-14147-00-00 | O-RING | 1 | (67M0) |
| 32 | 65L-14274-00-00 | CONNECTOR | 1 | (67M0) |
| 33 | 66K-24376-00-00 | PIPE, JOINT 1 | 1 | (67M0) |
| 34 | 66K-24489-00-00 | O-RING | 1 | (67M0) |
| 35 | 65L-14397-00-00 | O-RING | 3 | (67M0) |
| 36 | 65L-14992-00-00 | SCREW, DRAIN | 1 | (67M0) |
| 37 | 65L-14997-00-00 | SEAL | 2 | (67M0) |
| 38 | 65L-24375-00-00 | GROMMET | 3 | (67M0) |
| 39 | 65L-24397-00-00 | COLLAR | 3 | (67M0) |
| 40 | 65L-24576-00-00 | WASHER | 3 | (67M0) |
| 41 | 66K-24579-00-00 | WASHER 2 | 6 | (67M0) |
| 42 | 65L-24592-00-00 | BOLT | 3 | (67M0) |
| 43 | 65L-24169-00-00 | WASHER, LOCK | 3 | (67M0) |
| 44 | 67H-82507-00-00 | WIRE, LEAD | 1 | (67M0) |
| 45 | 66K-13542-00-00 | HOSE, VACUUM SENSING 1 | 1 | (67M0) |
| 46 | 66K-13544-00-00 | HOSE, VACUUM SENSING 2 | 2 | (67M0) |
| 47 | 66K-13532-00-00 | HOSE, VACUUM SENSING 3 | 1 | (67M0) |
| 48 | 65L-24461-00-00 | PIPE, JOINT | 2 | (67M0) |
| 49 | 66K-13533-00-00 | HOSE, VACUUM SENSING 4 | 1 | (67M0) |
| 50 | 66K-13898-00-00 | HOLDER | 1 | (67M0) |
| 51 | 65L-14565-00-00 | SCREW | 1 | (67M0) |

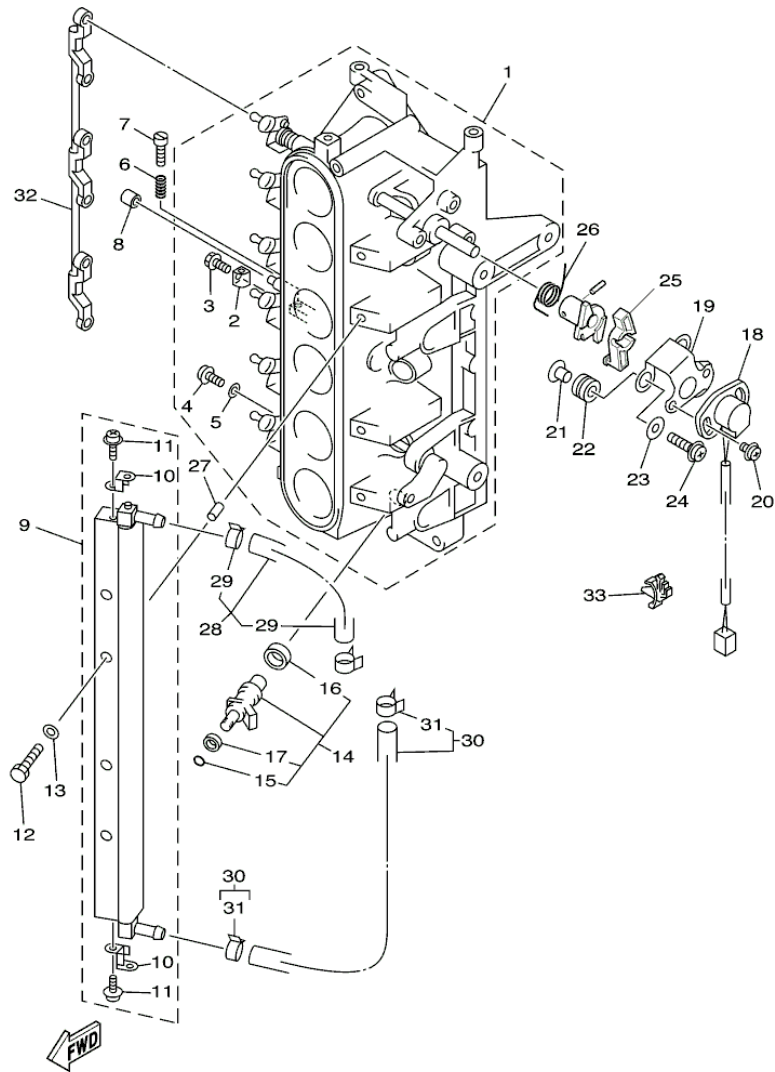
Part Notes

VX150TLRZ 2001 / FUEL INJECTION PUMP

| PART NUMBER | | NOTE TEXT |
|-----------------|---|---|
| 66K-14984-00-00 |  | OEM: This part number is among the Top 100 Most Popular Marine Maintenance Parts as of August 2013. |

©2013 Yamaha Motor Corporation, U.S.A. All rights reserved.

VX150TLRZ 2001 / FUEL INJECTION NOZZLE



66X0010-8060
Rev. 4-23-2012

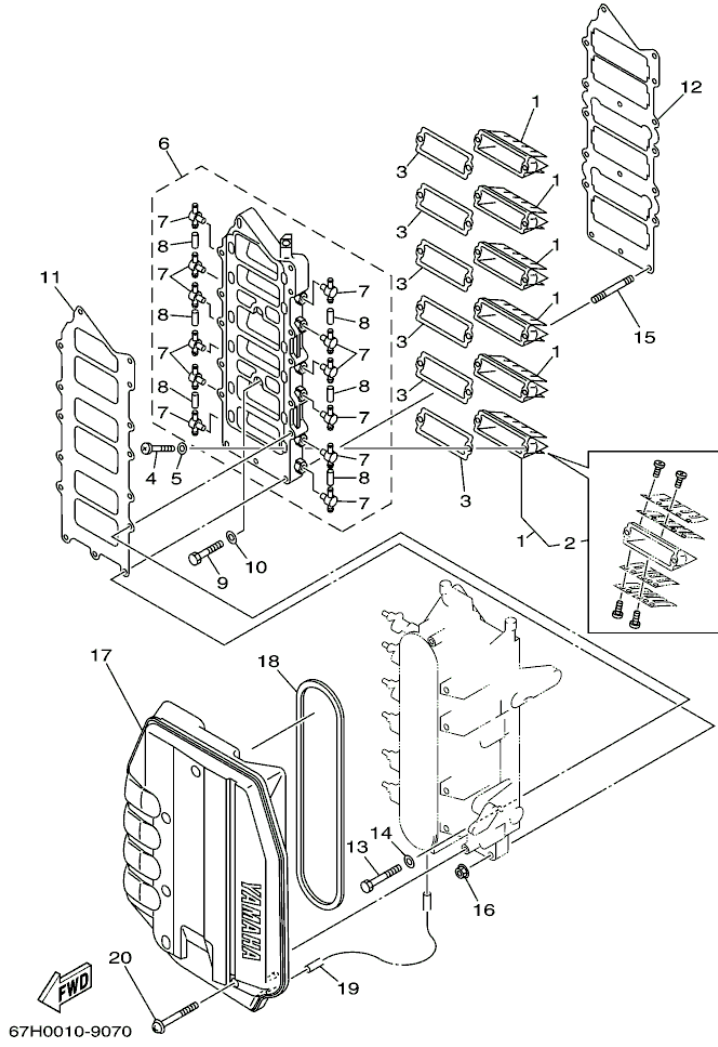
©2013 Yamaha Motor Corporation, U.S.A. All rights reserved.

Part List

VX150TLRZ 2001 / FUEL INJECTION NOZZLE

| REF - NO | PART NUMBER | PART NAME | QUANTITY | REMARKS |
|----------------|-----------------|------------------------|----------|---------|
| 1 | 67H-13751-00-00 | BODY, THROTTLE 1 | 1 | (67M0) |
| 2 | 65L-14527-00-00 | .PLATE | 1 | (67M0) |
| 3 | 65L-14565-00-00 | .SCREW | 1 | (67M0) |
| 4 | 65L-14334-00-00 | .SPRING, AIR ADJUSTING | 1 | (67M0) |
| 5 | 65L-14523-00-00 | .SCREW, STOP | 1 | (67M0) |
| 6 | 6K5-14592-00-00 | .SCREW | 6 | (67M0) |
| 7 | 90201-05552-00 | .WASHER, PLATE | 6 | (67M0) |
| 8 | 65L-14578-00-00 | .COLLAR | 1 | (67M0) |
| 9 | 65L-13938-00-00 | PIPE | 1 | (67M0) |
| 10 | 65L-13898-00-00 | .HOLDER | 2 | (67M0) |
| 11 | 65L-14565-00-00 | .SCREW | 2 | (67M0) |
| 12 | 65L-13573-00-00 | BOLT 1 | 4 | (67M0) |
| 13 | 65L-13995-00-00 | WASHER | 4 | (67M0) |
| 14 | 65L-13761-00-00 | INJECTOR ASSY | 6 | (67M0) |
| 15 | 65L-13769-00-00 | .O-RING | 1 | (67M0) |
| 16 | 65L-13764-00-00 | .GASKET | 1 | (67M0) |
| 17 | 65L-13766-00-00 | .RUBBER, INJECTOR | 1 | (67M0) |
| 18 | 61A-85885-00-00 | THROTTLE SENSOR ASSY | 1 | (67M0) |
| 19 | 6K7-85886-00-00 | BRACKET | 1 | (67M0) |
| 20 | 97985-05212-00 | SCREW, WITH WASHER | 2 | (67M0) |
| 21 | 90387-05M00-00 | COLLAR | 3 | (67M0) |
| 22 | 90480-10M23-00 | GROMMET | 3 | (67M0) |
| 23 | 65L-14596-00-00 | WASHER | 3 | (67M0) |
| 24 | 97985-05330-00 | SCREW, WITH WASHER | 3 | (67M0) |
| 25 | 65L-14573-00-00 | LEVER | 1 | (67M0) |
| 26 | 65L-14579-00-00 | SPRING | 1 | (67M0) |
| 27 | 65L-13996-00-00 | INSERT | 2 | (67M0) |
| 28 | 66K-13971-00-00 | PIPE, FUEL 1 | 1 | (67M0) |
| 29 | 65L-24387-00-00 | .CLIP | 2 | (67M0) |
| 30 | 67H-13972-00-00 | PIPE, FUEL 2 | 1 | (67M0) |
| 31 | 65L-24387-00-00 | .CLIP | 2 | (67M0) |
| 32 | 65L-41217-00-00 | ROD, ACCEL. LEVER | 1 | (67M0) |
| 33 | 90464-04M12-00 | CLAMP | 1 | (67M0) |

VX150TLRZ 2001 / INTAKE



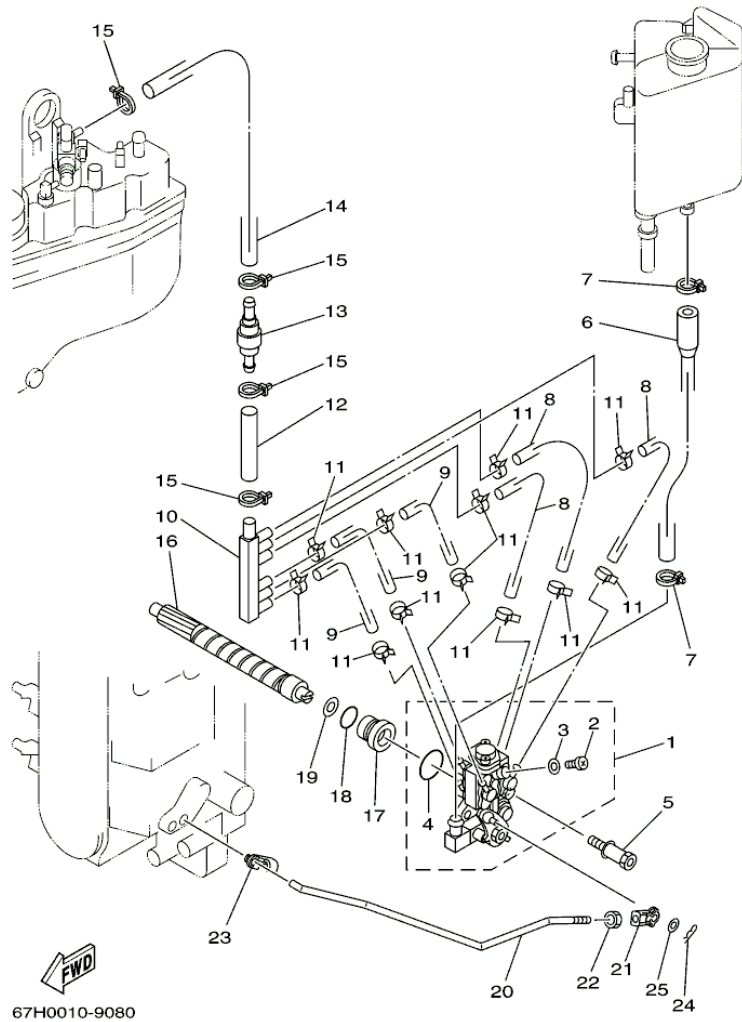
©2013 Yamaha Motor Corporation, U.S.A. All rights reserved.

Part List

VX150TLRZ 2001 / INTAKE

| REF - NO | PART NUMBER | PART NAME | QUANTITY | REMARKS |
|----------------|-----------------|-----------------------|----------|---------|
| 1 | 65L-13610-01-00 | REED VALVE ASSY | 6 | (67M0) |
| 2 | 65J-W0004-01-00 | .REED SET | 1 | (67M0) |
| 3 | 61A-13621-A0-00 | .GASKET, VALVE SEAT | 6 | (67M0) |
| 4 | 97880-05016-00 | SCREW, PAN HEAD | 12 | (67M0) |
| 5 | 92990-05600-00 | WASHER, PLATE | 12 | (67M0) |
| 6 | 65L-13624-01-1S | PLATE, REED VALVE | 1 | (67M0) |
| 7 | 6F6-11372-00-00 | .NIPPLE, HOSE | 12 | (67M0) |
| 8 | 90445-07M03-00 | .HOSE (L34) | 6 | (67M0) |
| 9 | 97013-06030-00 | BOLT | 2 | (67M0) |
| 10 | 92903-06600-00 | WASHER, PLATE | 2 | (67M0) |
| 11 | 65L-13646-00-00 | .GASKET, MANIFOLD 2 | 1 | (67M0) |
| 12 | 65L-13645-00-00 | .GASKET, MANIFOLD 1 | 1 | (67M0) |
| 13 | 97013-06060-00 | BOLT | 11 | (67M0) |
| 14 | 92903-06600-00 | WASHER, PLATE | 11 | (67M0) |
| 15 | 95670-06655-00 | BOLT, STUD | 2 | (67M0) |
| 16 | 90179-06M24-00 | NUT | 2 | (67M0) |
| 17 | 67H-14440-00-00 | SILENCER ASSY, INTAKE | 1 | (67M0) |
| 18 | 65L-14483-00-00 | .GASKET | 1 | (67M0) |
| 19 | 90445-07M44-00 | HOSE (L250) | 1 | (67M0) |
| 20 | 90159-06M16-00 | SCREW, WITH WASHER | 6 | (67M0) |

VX150TLRZ 2001 / OIL PUMP



©2013 Yamaha Motor Corporation, U.S.A. All rights reserved.


Part List

VX150TLRZ 2001 / OIL PUMP

| REF - NO | PART NUMBER | PART NAME | QUANTITY | REMARKS |
|----------|-----------------|-------------------------|----------|---------|
| 1 | 6R4-13200-00-00 | OIL INJECTION PUMP ASSY | 1 | (67M0) |
| 2 | 6R3-13471-00-00 | .PLUG, DRAIN | 1 | (67M0) |
| 3 | 6L2-13475-00-00 | .GASKET | 1 | (67M0) |
| 4 | 93210-19MA7-00 | .O-RING | 1 | (67M0) |
| 5 | 90109-06M40-00 | BOLT | 2 | (67M0) |
| 6 | 6R3-13416-00-00 | PIPE, OIL 1 | 1 | (67M0) |
| 7 | 90465-11M10-00 | CLAMP | 2 | (67M0) |
| 8 | 90445-07M00-00 | HOSE (L100) | 3 | (67M0) |
| 9 | 90445-07M25-00 | HOSE (L53) | 3 | (67M0) |
| 10 | 65L-24378-00-00 | PIPE, JOINT 4 | 1 | (67M0) |
| 11 | 90468-07M02-00 | CLIP | 12 | (67M0) |
| 12 | 90445-09220-00 | HOSE (L30) | 1 | (67M0) |
| 13 | 65L-13183-00-00 | VALVE, CHECK | 1 | (67M0) |
| 14 | 90446-09M93-00 | HOSE | 1 | (67M0) |
| 15 | 90465-11M10-00 | CLAMP | 4 | (67M0) |
| 16 | 6R3-11537-00-00 | GEAR, DRIVEN | 1 | (67M0) |
| 17 | 6R3-13117-00-00 | COLLAR, DISTANCE | 1 | (67M0) |
| 18 | 93210-13M04-00 | O-RING | 1 | (67M0) |
| 19 | 90202-08M44-00 | WASHER, PLATE | 1 | (67M0) |
| 20 | 67H-41241-00-00 | ROD, LINK | 1 | (67M0) |
| 21 | 6H1-41237-00-00 | JOINT, LINK | 1 | (67M0) |
| 22 | 95380-05600-00 | NUT | 1 | (67M0) |
| 23 | 6R5-41237-00-00 | JOINT, LINK | 1 | (67M0) |
| 24 | 90468-05M03-00 | CLIP | 1 | (67M0) |
| 25 | 90202-05088-00 | WASHER, PLATE | 1 | (67M0) |

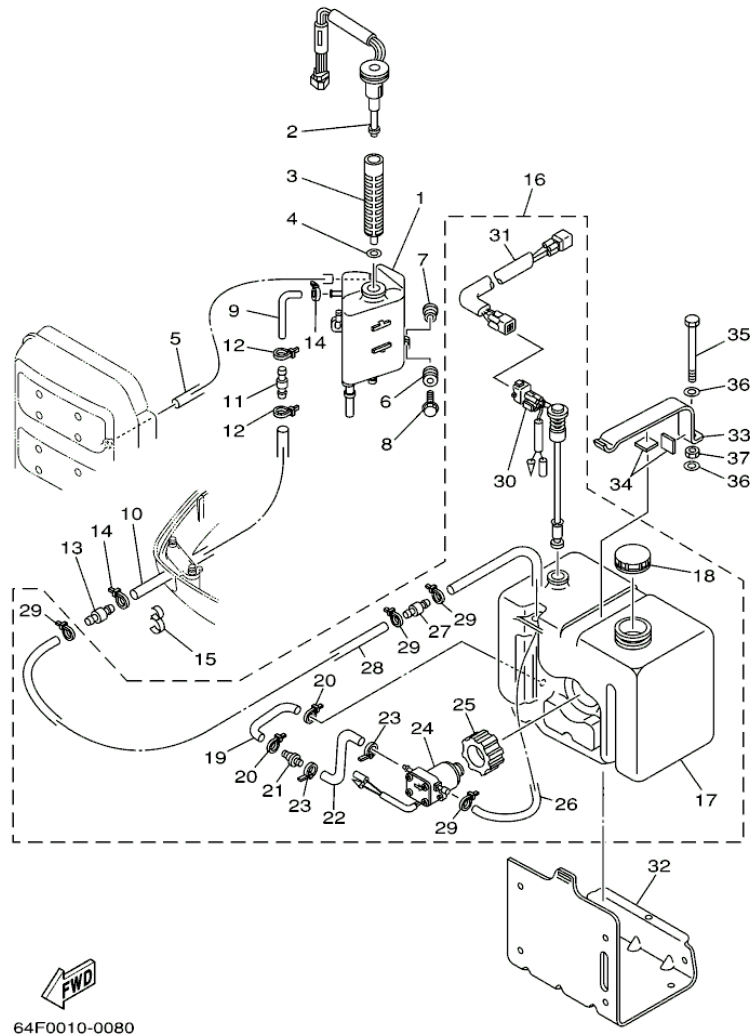
Part Notes

VX150TLRZ 2001 / OIL PUMP

| PART NUMBER | NOTE TEXT |
|---|---|
| 6H1-41237-00-00  | OEM: This part number is among the Top 100 Most Popular Marine Maintenance Parts as of August 2013. |

©2013 Yamaha Motor Corporation, U.S.A. All rights reserved.

VX150TLRZ 2001 / OIL TANK



64F0010-0080

©2013 Yamaha Motor Corporation, U.S.A. All rights reserved.



Part List

VX150TLRZ 2001 / OIL TANK

| REF - NO | PART NUMBER | PART NAME | QUANTITY | REMARKS |
|----------|-----------------|------------------------|----------|-----------|
| 1 | 6E5-21750-05-00 | OIL TANK ASSY | 1 | (67M0) |
| 2 | 67H-85730-00-00 | OIL LEVEL GAUGE ASSY | 1 | (67M0) |
| 3 | 6E5-13411-00-00 | STRAINER, OIL | 1 | (67M0) |
| 4 | 6E5-13414-00-00 | GASKET, STRAINER COVER | 1 | (67M0) |
| 5 | 90445-05M08-00 | HOSE (L550) | 1 | (67M0) |
| 6 | 6A0-82317-00-00 | DAMPER, IGNITION COIL | 3 | (67M0) |
| 7 | 624-42542-00-00 | PIPE | 3 | (67M0) |
| 8 | 90119-06M65-00 | BOLT, WITH WASHER | 3 | (67M0) |
| 9 | 64E-24323-00-00 | PIPE 12 | 1 | (67M0) |
| 10 | 90445-12207-00 | HOSE (L2400) | 1 | (67M0) |
| 11 | 6E5-24379-00-00 | PIPE, JOINT 4 | 1 | (67M0) |
| 12 | 90465-11M10-00 | CLAMP | 2 | (67M0) |
| 13 | 6E5-24379-00-00 | PIPE, JOINT 4 | 1 | (67M0) |
| 14 | 90465-11M10-00 | CLAMP | 2 | (67M0) |
| 15 | 90464-13M34-00 | CLAMP | 1 | (67M0) |
| 16 | 61A-21708-10-00 | OIL TANK SUB-ASSY | 1 | AP (67M0) |
| 17 | 6E5-21733-02-00 | .SUB TANK, OIL (105L) | 1 | (67M0) |
| 18 | 6E5-21770-03-00 | .OIL TANK CAP ASSY | 1 | (67M0) |
| 19 | 6E5-24322-00-00 | .PIPE 11 | 1 | (67M0) |
| 20 | 90465-11M10-00 | .CLAMP | 2 | (67M0) |
| 21 | 646-24251-02-00 | .STRAINER 1 | 1 | (67M0) |
| 22 | 6E5-24319-01-00 | .PIPE, OIL | 1 | (67M0) |
| 23 | 90465-11M10-00 | .CLAMP | 2 | (67M0) |
| 24 | 6E5-81900-01-00 | .OIL FEED PUMP ASSY | 1 | (67M0) |
| 25 | 6E5-81922-00-00 | .GROMMET | 1 | (67M0) |
| 26 | 6E5-24321-01-00 | .PIPE 10 | 1 | (67M0) |
| 27 | 6E5-24379-00-00 | .PIPE, JOINT 4 | 1 | (67M0) |
| 28 | 90445-11M26-00 | .HOSE (L6500) | 1 | (67M0) |
| 29 | 90465-11M10-00 | .CLAMP | 4 | (67M0) |
| 30 | 6E5-85720-04-00 | .OIL LEVEL GAUGE ASSY | 1 | (67M0) |
| 31 | 6R3-85721-30-00 | .WIRE, LEAD (L=30M) | 1 | (67M0) |
| 32 | 6E5-21734-01-33 | HOLDER, OIL SUB TANK | 1 | AP (67M0) |
| 33 | 6E5-21798-01-33 | BRACKET, DAMPER | 1 | AP (67M0) |
| 34 | 6E5-21746-00-00 | DAMPER | 2 | AP (67M0) |
| 35 | 97080-06100-00 | BOLT | 1 | AP (67M0) |
| 36 | 92990-06600-00 | WASHER, PLATE | 2 | AP (67M0) |
| 37 | 95380-06600-00 | NUT, HEXAGON | 1 | AP (67M0) |

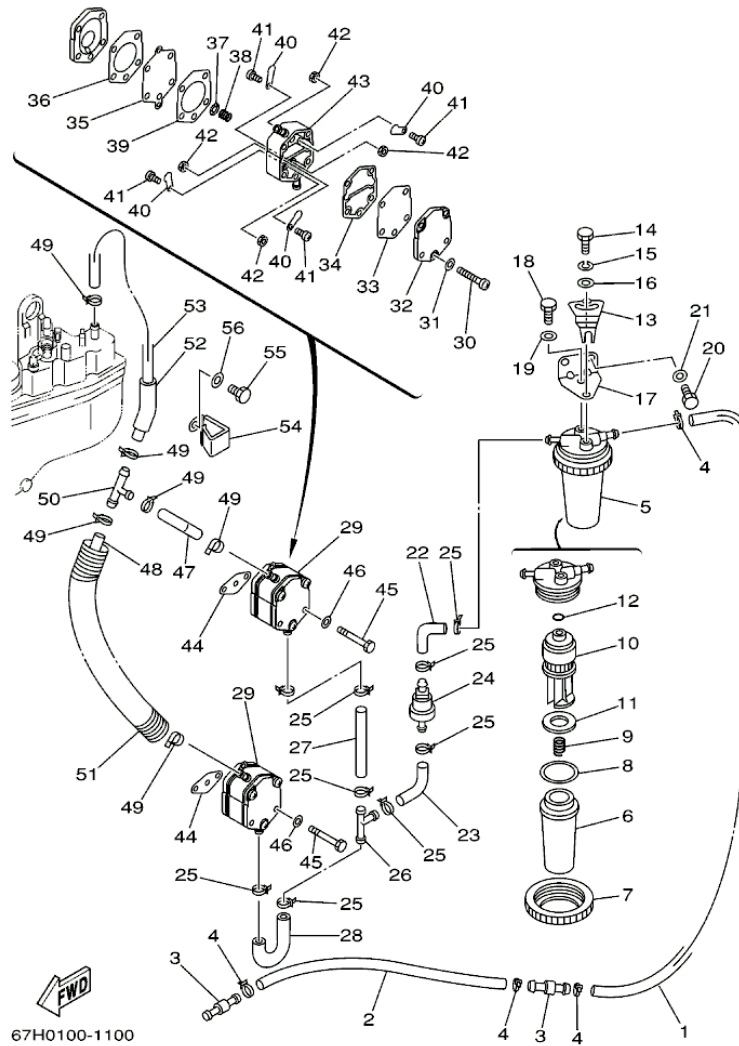
Part Notes

VX150TLRZ 2001 / OIL TANK

| PART NUMBER | NOTE TEXT |
|---|---|
| 646-24251-02-00  | OEM: This part number is among the Top 100 Most Popular Marine Maintenance Parts as of August 2013. |
| 92990-06600-00  | OEM: This part number is among the Top 100 Most Popular Marine Maintenance Parts as of August 2013. |

©2013 Yamaha Motor Corporation, U.S.A. All rights reserved.

VX150TLRZ 2001 / FUEL



67H0100-1100

©2013 Yamaha Motor Corporation, U.S.A. All rights reserved.

Part List






VX150TLRZ 2001 / FUEL

| REF - NO | PART NUMBER | PART NAME | QUANTITY | REMARKS |
|----------------|-----------------|---------------------|----------|---------|
| 1 | 61A-24313-00-00 | PIPE 3 | 1 | (67M0) |
| 2 | 90445-13M17-00 | HOSE (L2700) | 1 | (67M0) |
| 3 | 6R3-24377-00-00 | PIPE, JOINT 2 | 2 | (67M0) |
| 4 | 90465-11M10-00 | CLAMP | 4 | (67M0) |
| 5 | 65L-24560-00-00 | FILTER ASSY | 1 | (67M0) |
| 6 | 61A-24521-00-00 | .CUP, FILTER | 1 | (67M0) |
| 7 | 61A-24531-00-00 | .NUT | 1 | (67M0) |
| 8 | 61A-24564-00-00 | .O-RING | 1 | (67M0) |
| 9 | 65L-24577-00-00 | .SPRING | 1 | (67M0) |
| 10 | 65L-24563-00-00 | .ELEMENT, FILTER | 1 | (67M0) |
| 11 | 61A-24469-00-00 | .FLOAT, WATER LEVEL | 1 | (67M0) |
| 12 | 65L-24564-00-00 | .O-RING | 1 | (67M0) |
| 13 | 65L-24558-00-00 | HOLDER, FILTER | 1 | (67M0) |
| 14 | 97095-06016-00 | BOLT | 1 | (67M0) |
| 15 | 92995-06100-00 | WASHER, SPRING | 1 | (67M0) |
| 16 | 90201-06068-00 | WASHER, PLATE | 1 | (67M0) |
| 17 | 67H-24566-00-00 | BRACKET, FILTER | 1 | (67M0) |
| 18 | 97095-06014-00 | BOLT | 1 | (67M0) |
| 19 | 92995-06600-00 | WASHER | 1 | (67M0) |
| 20 | 97095-06016-00 | BOLT | 2 | (67M0) |
| 21 | 92995-06600-00 | WASHER | 2 | (67M0) |
| 22 | 61A-24311-00-00 | PIPE, FUEL 1 | 1 | (67M0) |
| 23 | 61U-24316-00-00 | PIPE 6 | 1 | (67M0) |
| 24 | 6R5-24408-00-00 | FUEL FEED ASSY | 1 | (67M0) |
| 25 | 90465-11M10-00 | CLAMP | 8 | (67M0) |
| 26 | 6E5-24378-00-00 | PIPE, JOINT 3 | 1 | (67M0) |
| 27 | 90445-13M31-00 | HOSE (L85) | 1 | (67M0) |
| 28 | 67H-24311-00-00 | PIPE, FUEL 1 | 1 | (67M0) |
| 29 | 6E5-24410-10-00 | FUEL PUMP ASSY | 2 | (67M0) |
| 30 | 98503-05035-00 | .SCREW, PAN HEAD | 3 | (67M0) |
| 31 | 92903-05600-00 | .WASHER, PLATE | 3 | (67M0) |
| 32 | 6E5-24413-00-00 | .BODY 2 | 1 | (67M0) |
| 33 | 6E5-24471-00-00 | .DIAPHRAGM | 1 | (67M0) |
| 34 | 6E5-24435-00-00 | .GASKET, BODY 2 | 1 | (67M0) |
| 35 | 6E5-24411-10-00 | .DIAPHRAGM | 1 | (67M0) |
| 36 | 6E5-24436-00-00 | .GASKET, BODY 3 | 1 | (67M0) |
| 37 | 6E5-24424-00-00 | .SEAT, SPRING | 1 | (67M0) |
| 38 | 6E5-24423-00-00 | .SPRING, DIAPHRAGM | 1 | (67M0) |
| 39 | 6E5-24434-02-00 | .GASKET, BODY | 1 | (67M0) |
| 40 | 6A0-24421-01-00 | .VALVE, CHECK | 4 | (67M0) |
| 41 | 6A0-14325-00-00 | .SCREW, PAN HEAD | 4 | (67M0) |
| 42 | 95380-03600-00 | .NUT | 4 | (67M0) |
| 43 | 6E5-24412-10-00 | .BODY 1 | 1 | (67M0) |
| 44 | 650-24431-A0-00 | GASKET, FUEL PUMP 1 | 2 | (67M0) |
| 45 | 97095-06050-00 | BOLT | 4 | (67M0) |
| 46 | 92995-06600-00 | WASHER | 4 | (67M0) |
| 47 | 61U-24316-00-00 | PIPE 6 | 1 | (67M0) |
| 48 | 6E5-24313-00-00 | PIPE 3 | 1 | (67M0) |
| 49 | 90465-11M10-00 | CLAMP | 6 | (67M0) |
| 50 | 6E5-24378-00-00 | PIPE, JOINT 3 | 1 | (67M0) |
| 51 | 6H1-83557-00-00 | TUBE | 1 | (67M0) |
| 52 | 90446-15M07-00 | HOSE (L60) | 1 | (67M0) |
| 53 | 90445-13M12-00 | HOSE (L235) | 1 | (67M0) |

| | | | | |
|----|----------------|--------|---|--------|
| 54 | 90465-05M87-00 | CLAMP | 1 | (67M0) |
| 55 | 97095-06012-00 | BOLT | 1 | (67M0) |
| 56 | 92995-06600-00 | WASHER | 1 | (67M0) |

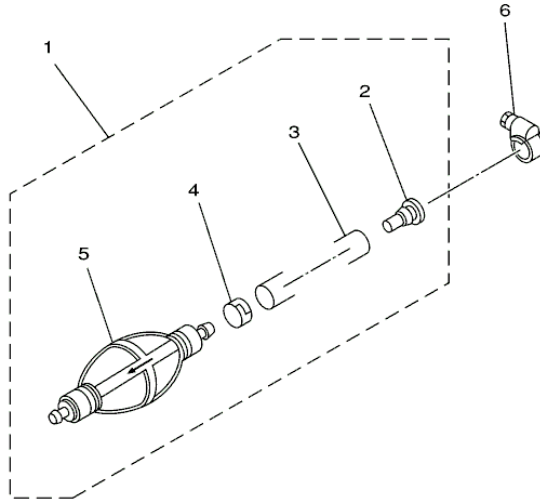
Part Notes

VX150TLRZ 2001 / FUEL

| PART NUMBER | | NOTE TEXT |
|--------------------|---|---|
| 61A-24564-00-00 |  | OEM: This part number is among the Top 100 Most Popular Marine Maintenance Parts as of August 2013. |
| 65L-24563-00-00 |  | OEM: This part number is among the Top 100 Most Popular Marine Maintenance Parts as of August 2013. |
| 65L-24564-00-00 |  | OEM: This part number is among the Top 100 Most Popular Marine Maintenance Parts as of August 2013. |
| 92995-06100-00 |  | OEM: This part number is among the Top 100 Most Popular Marine Maintenance Parts as of August 2013. |
| 650-24431-A0-00 |  | OEM: This part number is among the Top 100 Most Popular Marine Maintenance Parts as of August 2013. |

©2013 Yamaha Motor Corporation, U.S.A. All rights reserved.

VX150TLRZ 2001 / FUEL 2



67H0100-9110

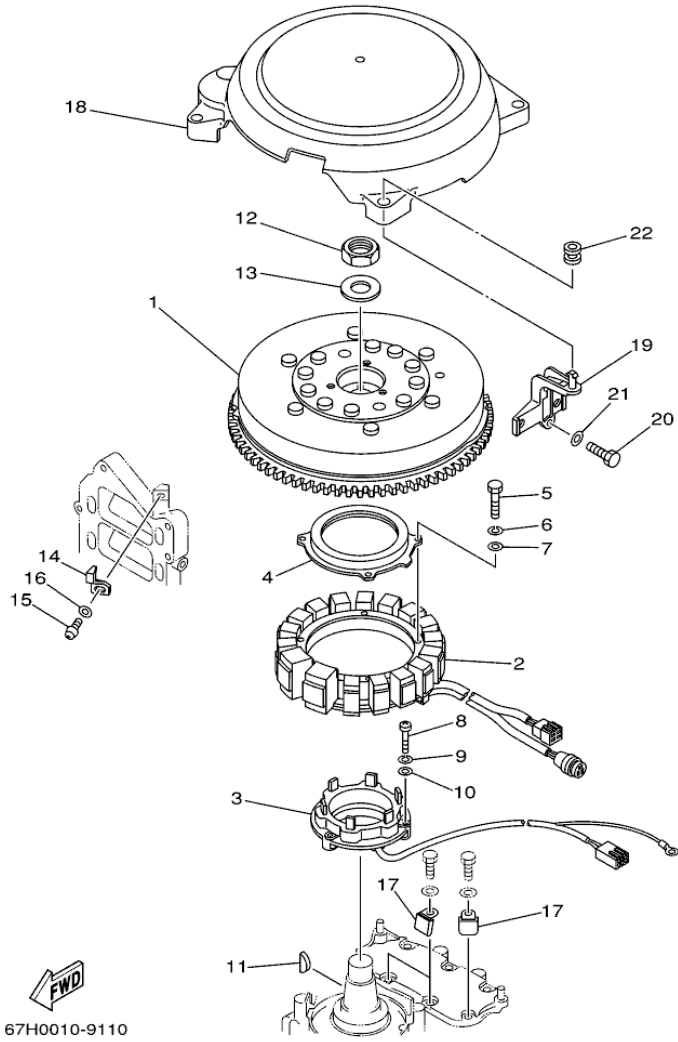
©2013 Yamaha Motor Corporation, U.S.A. All rights reserved.

Part List

VX150TLRZ 2001 / FUEL 2

| REF - NO | PART NUMBER | PART NAME | QUANTITY | REMARKS |
|----------------|-----------------|-------------------|----------|-----------|
| 1 | 6Y2-24307-41-00 | FUEL PIPE COMP. 2 | 1 | AP (67M0) |
| 2 | 90480-06M19-00 | .GROMMET | 1 | (67M0) |
| 3 | 90445-13M01-00 | .HOSE (L2050) | 1 | (67M0) |
| 4 | 6E5-24351-51-00 | .BAND 1 | 1 | (67M0) |
| 5 | 6Y2-24360-52-00 | .PRIMER PUMP ASSY | 1 | (67M0) |
| 6 | 90450-10M07-00 | HOSE CLAMP ASSY | 1 | AP (67M0) |

VX150TLRZ 2001 / GENERATOR



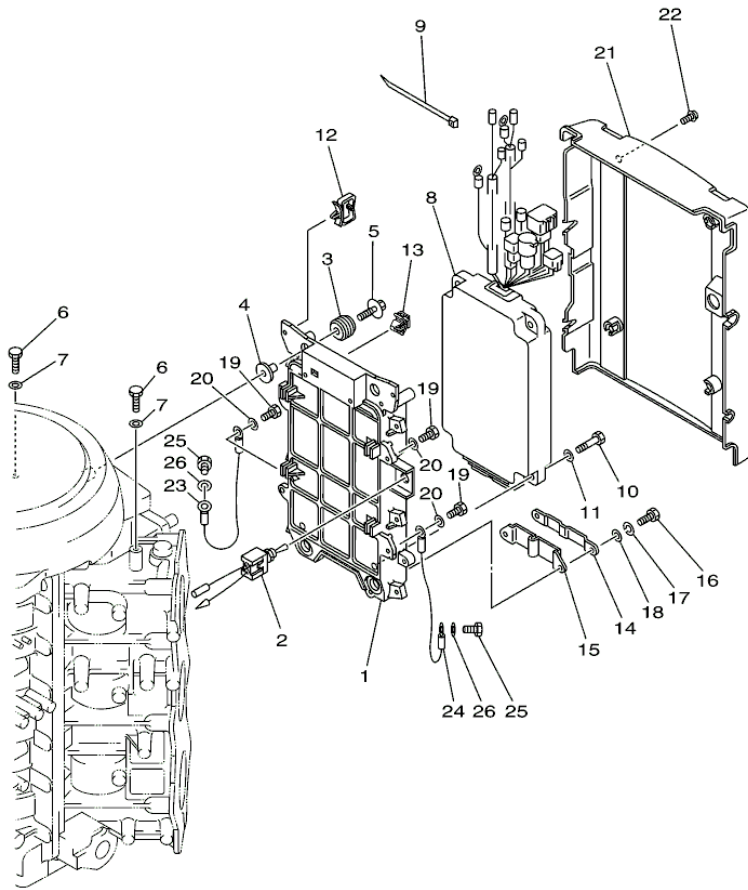
©2013 Yamaha Motor Corporation, U.S.A. All rights reserved.

Part List

VX150TLRZ 2001 / GENERATOR

| REF - NO | PART NUMBER | PART NAME | QUANTITY | REMARKS |
|----------------|-----------------|-----------------------|----------|---------|
| 1 | 67H-85550-00-00 | ROTOR ASSY | 1 | (67M0) |
| 2 | 61A-85510-02-00 | STATOR ASSY | 1 | (67M0) |
| 3 | 61A-85580-01-00 | COIL, PULSER | 1 | (67M0) |
| 4 | 61A-83721-00-00 | COVER | 1 | (67M0) |
| 5 | 97013-06035-00 | BOLT | 4 | (67M0) |
| 6 | 92903-06100-00 | WASHER, SPRING | 4 | (67M0) |
| 7 | 92903-06600-00 | WASHER, PLATE | 4 | (67M0) |
| 8 | 97885-05030-00 | SCREW, PAN HEAD | 3 | (67M0) |
| 9 | 92995-05100-00 | WASHER | 3 | (67M0) |
| 10 | 92995-05600-00 | WASHER | 3 | (67M0) |
| 11 | 90280-05015-00 | KEY, WOODRUFF | 1 | (67M0) |
| 12 | 90170-24M22-00 | NUT | 1 | (67M0) |
| 13 | 90201-25M02-00 | WASHER, PLATE | 1 | (67M0) |
| 14 | 6E5-81332-00-00 | PLATE, TIMING | 1 | (67M0) |
| 15 | 97885-06010-00 | SCREW, PAN HEAD | 1 | (67M0) |
| 16 | 92995-06600-00 | WASHER | 1 | (67M0) |
| 17 | 90465-06M84-00 | CLAMP | 3 | (67M0) |
| 18 | 67H-81337-00-00 | COVER, FLYWHEEL | 1 | (67M0) |
| 19 | 65L-81338-00-1S | CLAMP, LEAD | 1 | (67M0) |
| 20 | 97013-06025-00 | BOLT | 1 | (67M0) |
| 21 | 92903-06600-00 | WASHER, PLATE | 1 | (67M0) |
| 22 | 663-82317-01-00 | DAMPER, IGNITION COIL | 4 | (67M0) |

VX150TLRZ 2001 / ELECTRICAL 1



67H0010-9120

©2013 Yamaha Motor Corporation, U.S.A. All rights reserved.


Part List

VX150TLRZ 2001 / ELECTRICAL 1

| REF - NO | PART NUMBER | PART NAME | QUANTITY | REMARKS |
|----------|-----------------|--------------------|----------|---------|
| 1 | 67H-85542-00-94 | BRACKET | 1 | (67M0) |
| 2 | 6R3-8259E-00-00 | SWITCH ASSY | 1 | (67M0) |
| 3 | 90480-09M12-00 | GROMMET | 4 | (67M0) |
| 4 | 90387-06M03-00 | COLLAR | 4 | (67M0) |
| 5 | 90119-06M28-00 | BOLT, WITH WASHER | 4 | (67M0) |
| 6 | 97095-06016-00 | BOLT | 2 | (67M0) |
| 7 | 92995-06600-00 | WASHER | 2 | (67M0) |
| 8 | 67M-85540-01-00 | C.D.I. UNIT ASSY | 1 | (67M0) |
| 9 | 90465-13M18-00 | CLAMP | 1 | (67M0) |
| 10 | 97013-06025-00 | BOLT | 4 | (67M0) |
| 11 | 92903-06600-00 | WASHER, PLATE | 4 | (67M0) |
| 12 | 90464-23199-00 | CLAMP | 2 | (67M0) |
| 13 | 90464-09M47-00 | CLAMP | 1 | (67M0) |
| 14 | 61A-85525-00-00 | COVER | 1 | (67M0) |
| 15 | 61A-85548-00-00 | HOLDER | 1 | (67M0) |
| 16 | 97095-06016-00 | BOLT | 2 | (67M0) |
| 17 | 92995-06100-00 | WASHER, SPRING | 2 | (67M0) |
| 18 | 92995-06600-00 | WASHER | 2 | (67M0) |
| 19 | 97095-06012-00 | BOLT | 4 | (67M0) |
| 20 | 92995-06600-00 | WASHER | 4 | (67M0) |
| 21 | 67H-85537-00-00 | COVER | 1 | (67M0) |
| 22 | 90159-06M03-00 | SCREW, WITH WASHER | 4 | (67M0) |
| 23 | 61A-82519-00-00 | WIRE, EARTH LEAD | 1 | (67M0) |
| 24 | 6R3-82519-00-00 | WIRE, EARTH LEAD | 1 | (67M0) |
| 25 | 97095-06012-00 | BOLT | 2 | (67M0) |
| 26 | 92995-06600-00 | WASHER | 2 | (67M0) |

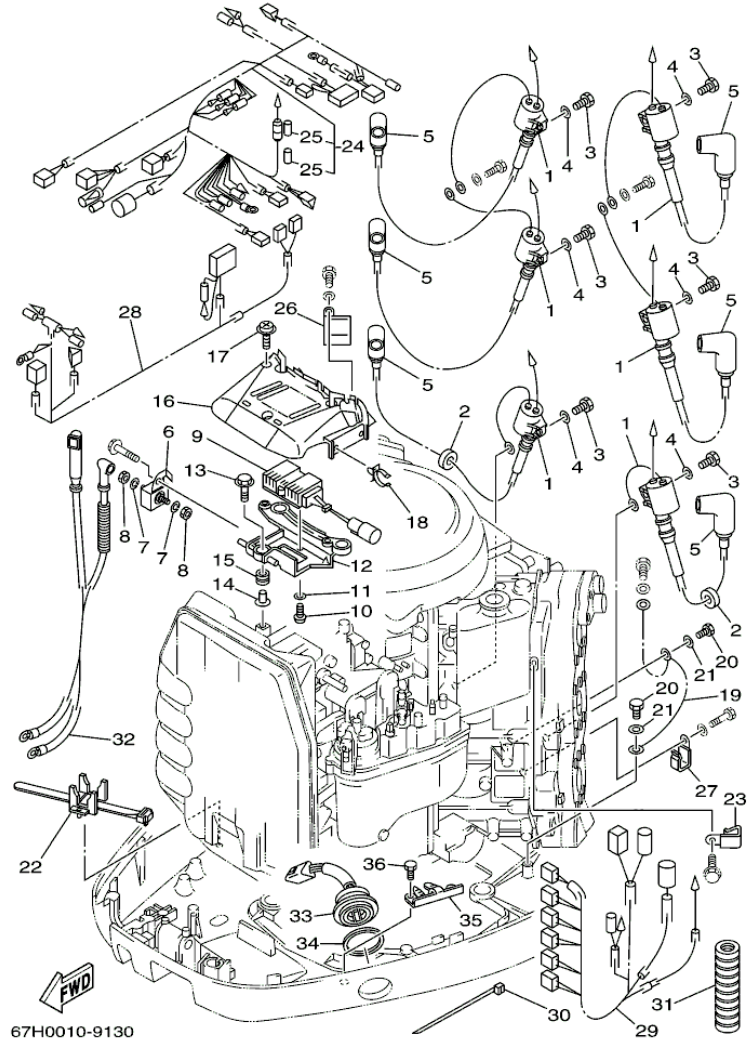
Part Notes

VX150TLRZ 2001 / ELECTRICAL 1

| PART NUMBER | NOTE TEXT |
|--|---|
| 92995-06100-00  | OEM: This part number is among the Top 100 Most Popular Marine Maintenance Parts as of August 2013. |

©2013 Yamaha Motor Corporation, U.S.A. All rights reserved.

VX150TLRZ 2001 / ELECTRICAL 2



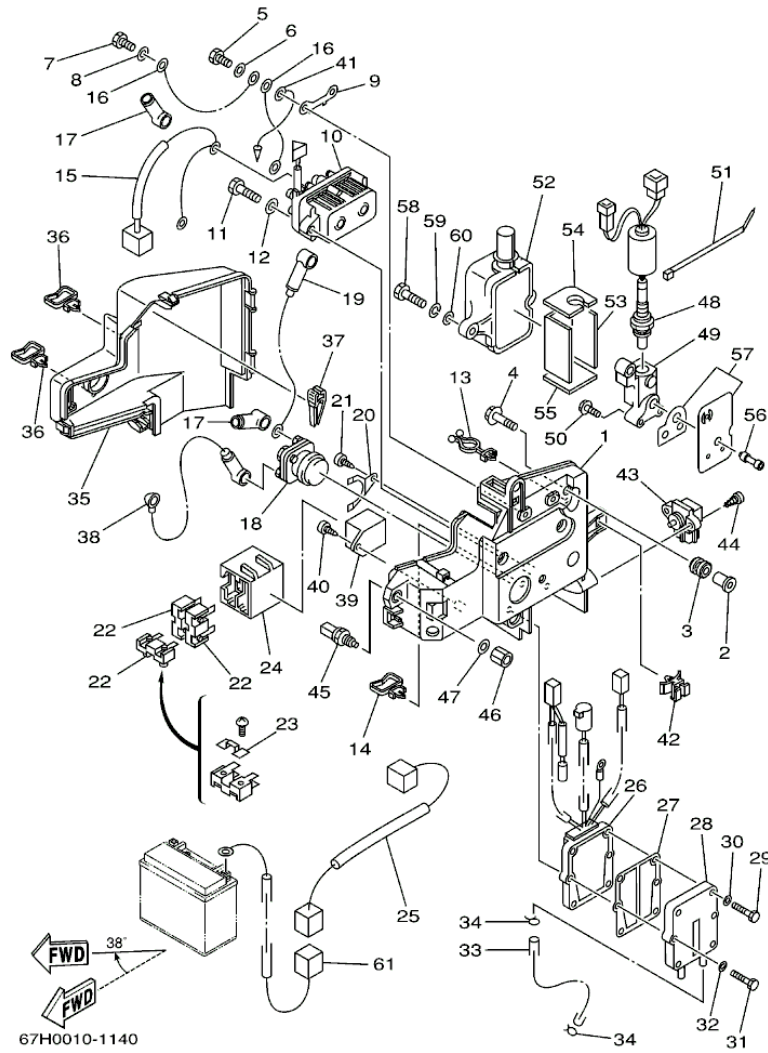
©2013 Yamaha Motor Corporation, U.S.A. All rights reserved.

Part List

VX150TLRZ 2001 / ELECTRICAL 2

| REF - NO | PART NUMBER | PART NAME | QUANTITY | REMARKS |
|----------------|-----------------|--------------------------|----------|---------|
| 1 | 61A-85570-00-00 | IGNITION COIL ASSY | 6 | (67M0) |
| 2 | 90480-25161-00 | GROMMET | 2 | (67M0) |
| 3 | 97013-06020-00 | BOLT | 6 | (67M0) |
| 4 | 92903-06600-00 | WASHER, PLATE | 6 | (67M0) |
| 5 | 6E3-82370-21-00 | PLUG CAP ASSY | 6 | (67M0) |
| 6 | 67H-81925-00-00 | TERMINAL | 1 | (67M0) |
| 7 | 92990-06100-00 | WASHER, SPRING | 2 | (67M0) |
| 8 | 95380-06700-00 | NUT | 2 | (67M0) |
| 9 | 65L-85370-00-00 | RESISTOR ASSY | 1 | (67M0) |
| 10 | 97885-05010-00 | .SCREW, PAN HEAD | 2 | (67M0) |
| 11 | 92995-05600-00 | WASHER | 2 | (67M0) |
| 12 | 65L-81915-00-94 | PLATE, REGULATOR FITTING | 1 | (67M0) |
| 13 | 90119-06M65-00 | BOLT, WITH WASHER | 3 | (67M0) |
| 14 | 90387-06M60-00 | COLLAR | 3 | (67M0) |
| 15 | 90480-10M23-00 | GROMMET | 3 | (67M0) |
| 16 | 65L-81916-00-00 | COVER, TERMINAL | 1 | (67M0) |
| 17 | 90159-06M03-00 | SCREW, WITH WASHER | 2 | (67M0) |
| 18 | 90464-19M45-00 | CLAMP | 2 | (67M0) |
| 19 | 6E5-82531-10-00 | WIRE, LEAD | 1 | (67M0) |
| 20 | 97095-06012-00 | BOLT | 2 | (67M0) |
| 21 | 92995-06600-00 | WASHER | 2 | (67M0) |
| 22 | 688-82594-00-00 | CLAMP | 1 | (67M0) |
| 23 | 90465-05M87-00 | CLAMP | 1 | (67M0) |
| 24 | 67H-82590-00-00 | WIRE HARNESS ASSY | 1 | (67M0) |
| 25 | 67F-82151-10-00 | .FUSE (30A) | 2 | (67M0) |
| 26 | 90465-08M89-00 | CLAMP | 1 | (67M0) |
| 27 | 90465-05M87-00 | CLAMP | 1 | (67M0) |
| 28 | 67H-8259M-00-00 | WIRE HARNESS ASSY 2 | 1 | (67M0) |
| 29 | 67H-8259N-00-00 | WIRE HARNESS ASSY 3 | 1 | (67M0) |
| 30 | 90465-13M18-00 | CLAMP | 1 | (67M0) |
| 31 | 67H-83557-00-00 | TUBE | 1 | (67M0) |
| 32 | 67H-82105-00-00 | WIRE HARNESS | 1 | (67M0) |
| 33 | 6R3-82563-00-00 | TRIM & TILT SWITCH ASSY | 1 | (67M0) |
| 34 | 6E5-82587-00-00 | GASKET | 1 | (67M0) |
| 35 | 6R3-83614-00-00 | BRACKET | 1 | (67M0) |
| 36 | 97095-06012-00 | BOLT | 2 | (67M0) |

VX150TLRZ 2001 / ELECTRICAL 3



67H0010-1140

©2013 Yamaha Motor Corporation, U.S.A. All rights reserved.

Part List


VX150TLRZ 2001 / ELECTRICAL 3

| REF - NO | PART NUMBER | PART NAME | QUANTITY | REMARKS |
|----------|-----------------|----------------------------|----------|---------|
| 1 | 67H-81948-00-00 | BRACKET | 1 | (67M0) |
| 2 | 624-42542-00-00 | PIPE | 5 | (67M0) |
| 3 | 6A0-82317-00-00 | DAMPER, IGNITION COIL | 5 | (67M0) |
| 4 | 90119-06M65-00 | BOLT, WITH WASHER | 5 | (67M0) |
| 5 | 97095-06012-00 | BOLT | 2 | (67M0) |
| 6 | 92995-06600-00 | WASHER | 2 | (67M0) |
| 7 | 97095-06012-00 | BOLT | 1 | (67M0) |
| 8 | 92995-06600-00 | WASHER | 1 | (67M0) |
| 9 | 61A-87149-00-00 | CONNECTOR | 1 | (67M0) |
| 10 | 61A-81950-00-00 | RELAY ASSY | 1 | (67M0) |
| 11 | 97013-06030-00 | BOLT | 2 | (67M0) |
| 12 | 92903-06600-00 | WASHER, PLATE | 2 | (67M0) |
| 13 | 90464-18M46-00 | CLAMP | 1 | (67M0) |
| 14 | 90464-23199-00 | CLAMP | 1 | (67M0) |
| 15 | 61A-81949-10-00 | WIRE, LEAD | 1 | (67M0) |
| 16 | 61A-81949-00-00 | WIRE, LEAD | 2 | (67M0) |
| 17 | 6G5-82119-00-00 | COVER, LEAD WIRE | 2 | (67M0) |
| 18 | 61A-81941-00-00 | STARTER RELAY ASSY | 1 | (67M0) |
| 19 | 67H-82117-10-00 | WIRE, LEAD | 1 | (67M0) |
| 20 | 61A-81952-00-00 | HOLDER, RELAY | 1 | (67M0) |
| 21 | 97780-50612-00 | SCREW, TAPPING | 1 | (67M0) |
| 22 | 61A-82150-00-00 | FUSE HOLDER ASSY | 3 | (67M0) |
| 23 | 61A-82151-00-00 | .FUSE (12V-80A) | 1 | (67M0) |
| 24 | 61A-82153-00-00 | STAY, FUSE HOLDER | 1 | (67M0) |
| 25 | 66K-81949-10-00 | WIRE, LEAD | 1 | (67M0) |
| 26 | 67H-81960-00-00 | RECTIFIER & REGULATOR ASSY | 1 | (67M0) |
| 27 | 61A-81975-A0-00 | PLATE, RECTIFIER FITTING | 1 | (67M0) |
| 28 | 61A-81972-00-1S | COVER, RECTIFIER | 1 | (67M0) |
| 29 | 97013-06025-00 | BOLT | 4 | (67M0) |
| 30 | 92903-06600-00 | WASHER, PLATE | 4 | (67M0) |
| 31 | 97013-06030-00 | BOLT | 2 | (67M0) |
| 32 | 92903-06600-00 | WASHER, PLATE | 2 | (67M0) |
| 33 | 90445-09105-00 | HOSE (L300) | 1 | (67M0) |
| 34 | 90467-08004-00 | CLIP | 2 | (67M0) |
| 35 | 67H-81942-00-00 | COVER | 1 | (67M0) |
| 36 | 90464-23199-00 | CLAMP | 2 | (67M0) |
| 37 | 67F-2812A-00-00 | .PULLER, FUSE | 1 | (67M0) |
| 38 | 67H-82117-00-00 | WIRE, LEAD | 1 | (67M0) |
| 39 | 65L-81950-00-00 | RELAY ASSY | 1 | (67M0) |
| 40 | 97780-60625-00 | SCREW, TAPPING | 1 | (67M0) |
| 41 | 66K-82519-00-00 | WIRE, EARTH LEAD | 1 | (67M0) |
| 42 | 90464-09M47-00 | CLAMP | 1 | (67M0) |
| 43 | 67H-82380-00-00 | SENSOR, PRESSURE | 1 | (67M0) |
| 44 | 97780-60625-00 | SCREW, TAPPING | 2 | (67M0) |
| 45 | 65L-85886-00-00 | THERMOSENSOR | 1 | (67M0) |
| 46 | 90170-12M36-00 | NUT | 1 | (67M0) |
| 47 | 90201-12M34-00 | .WASHER, PLATE | 1 | (67M0) |
| 48 | 67H-8592A-01-00 | SENSOR | 1 | (67M0) |
| 49 | 65L-11395-00-00 | HOLDER | 1 | (67M0) |
| 50 | 90119-06M74-00 | BOLT, WITH WASHER | 3 | (67M0) |
| 51 | 90465-13M18-00 | CLAMP | 1 | (67M0) |
| 52 | 65L-85832-00-00 | CASE, UNDER | 1 | (67M0) |
| 53 | 65L-11354-00-00 | GASKET | 1 | (67M0) |

| | | | | |
|----|-----------------|-----------------------------|---|-----------|
| 54 | 65L-1131N-00-00 | GASKET, HOLDER | 1 | (67M0) |
| 55 | 65L-11396-00-00 | GASKET, HOLDER | 1 | (67M0) |
| 56 | 65L-11353-00-00 | JOINT | 1 | (67M0) |
| 57 | 68F-W1135-00-00 | SEAL, CYLINDER | 1 | (67M0) |
| 58 | 97095-06030-00 | BOLT | 2 | (67M0) |
| 59 | 92995-06100-00 | WASHER, SPRING | 2 | (67M0) |
| 60 | 92995-06600-00 | WASHER | 2 | (67M0) |
| 61 | 68F-81949-00-00 | WIRE, LEAD (ISOLATOR CABLE) | 1 | AP (67M0) |

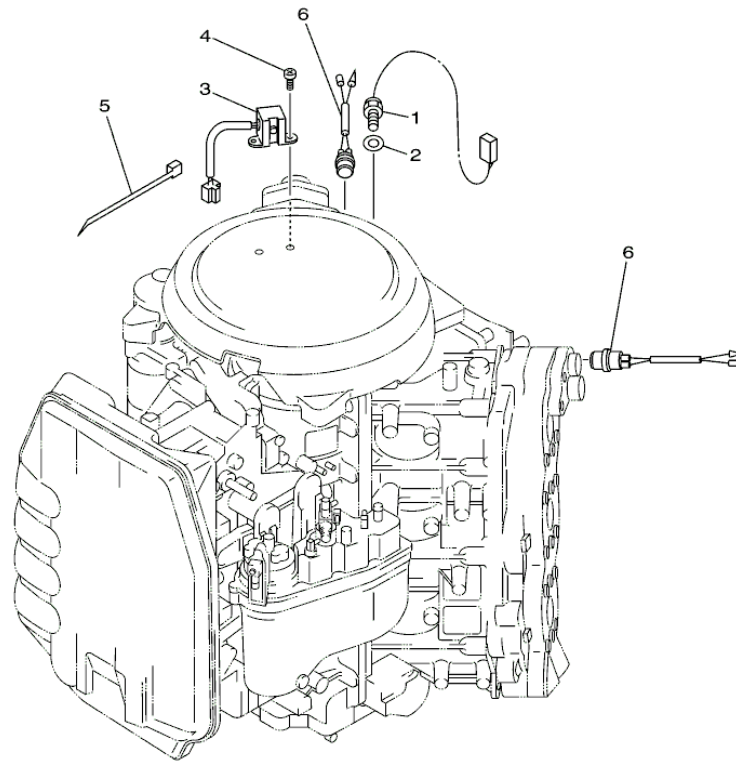
Part Notes

VX150TLRZ 2001 / ELECTRICAL 3

| PART NUMBER | | NOTE TEXT |
|----------------|---|---|
| 92995-06100-00 |  | OEM: This part number is among the Top 100 Most Popular Marine Maintenance Parts as of August 2013. |

©2013 Yamaha Motor Corporation, U.S.A. All rights reserved.

VX150TLRZ 2001 / ELECTRICAL 4



67H0010-9150

©2013 Yamaha Motor Corporation, U.S.A. All rights reserved.


Part List

VX150TLRZ 2001 / ELECTRICAL 4

| REF - NO | PART NUMBER | PART NAME | QUANTITY | REMARKS |
|----------|-----------------|-----------------------|----------|---------|
| 1 | 61A-85790-00-00 | THERMOSENSOR ASSY | 1 | (67M0) |
| 2 | 92990-10600-00 | WASHER, PLATE | 1 | (67M0) |
| 3 | 61A-85895-00-00 | CRANK POSITION SENDER | 1 | (67M0) |
| 4 | 97885-05012-00 | SCREW, PAN HEAD | 2 | (67M0) |
| 5 | 90465-13M18-00 | CLAMP | 1 | (67M0) |
| 6 | 688-82560-10-00 | THERMO SWITCH ASSY | 2 | (67M0) |

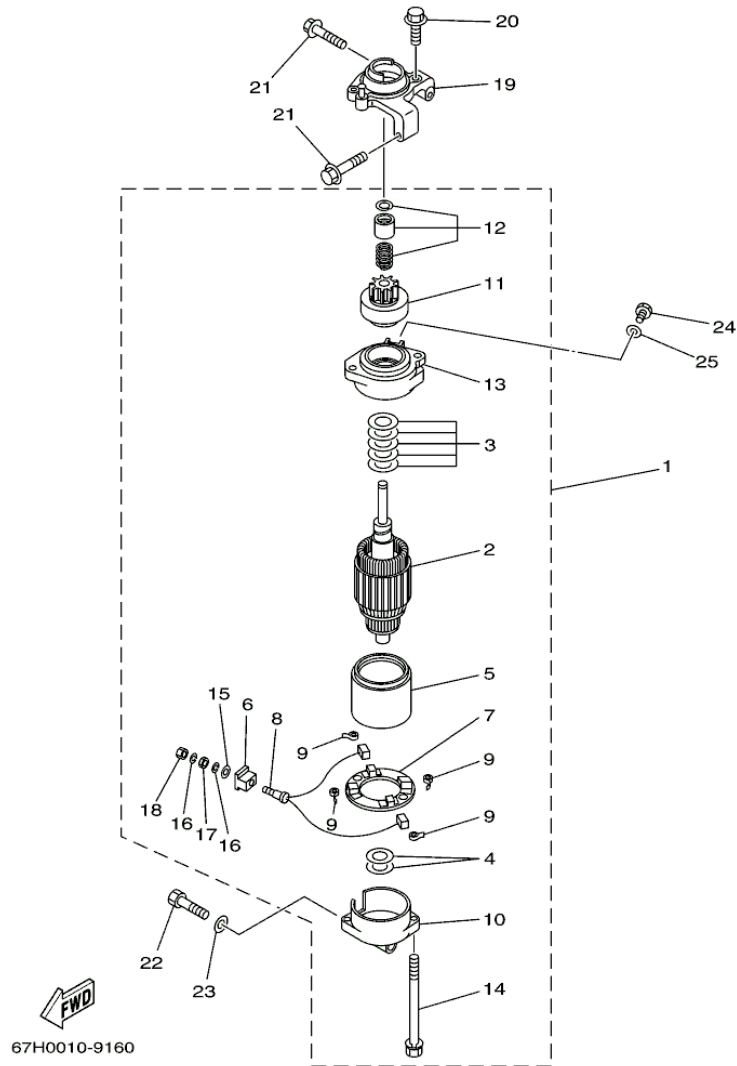
Part Notes

VX150TLRZ 2001 / ELECTRICAL 4

| PART NUMBER | NOTE TEXT |
|--|---|
| 92990-10600-00  | OEM: This part number is among the Top 100 Most Popular Marine Maintenance Parts as of August 2013. |

©2013 Yamaha Motor Corporation, U.S.A. All rights reserved.

VX150TLRZ 2001 / STARTING MOTOR



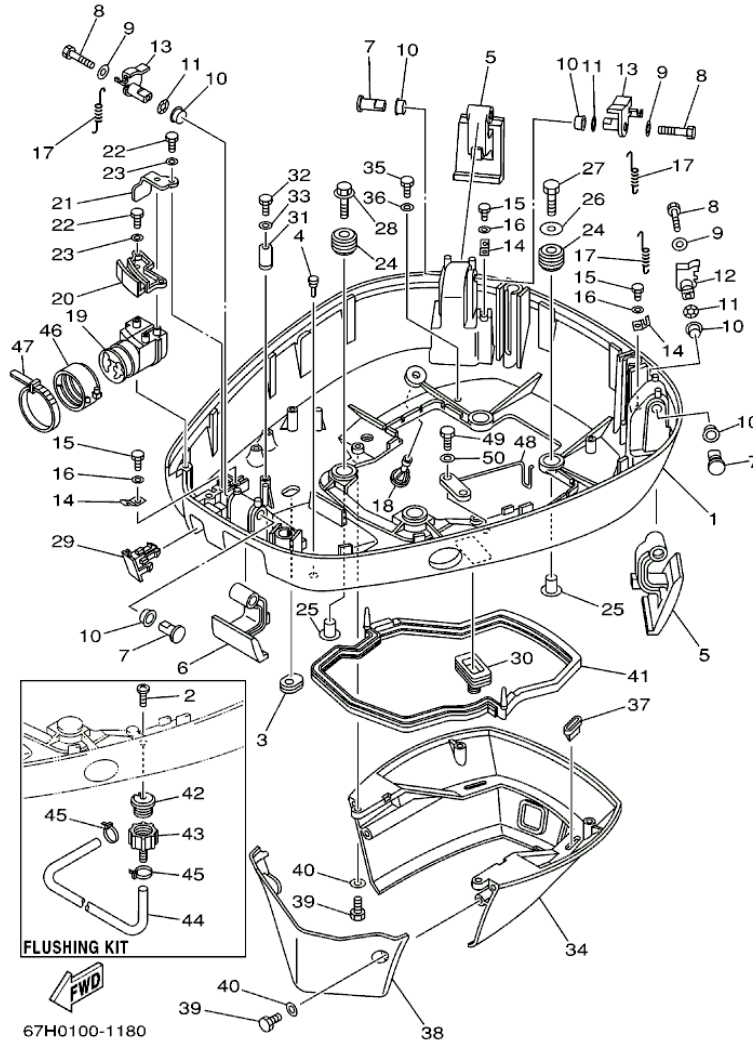
©2013 Yamaha Motor Corporation, U.S.A. All rights reserved.

Part List

VX150TLRZ 2001 / STARTING MOTOR

| REF - NO | PART NUMBER | PART NAME | QUANTITY | REMARKS |
|----------------|-----------------|-------------------------------|----------|---------|
| 1 | 6N7-81800-10-00 | STARTING MOTOR ASSY | 1 | (67M0) |
| 2 | 6N7-81850-10-00 | .ARMATURE ASSY | 1 | (67M0) |
| 3 | 61A-81809-00-00 | .WASHER KIT | 1 | (67M0) |
| 4 | 61A-81824-00-00 | .WASHER 2 | 2 | (67M0) |
| 5 | 6N7-81810-00-00 | .STATOR ASSY | 1 | (67M0) |
| 6 | 6K7-8182G-10-00 | .BUSH, TERMINAL | 1 | (67M0) |
| 7 | 6N7-81840-00-00 | .BRUSH HOLDER ASSY | 1 | (67M0) |
| 8 | 6N7-81801-00-00 | .BRUSH SET | 1 | (67M0) |
| 9 | 6N7-81813-00-00 | .SPRING, BRUSH | 4 | (67M0) |
| 10 | 6N7-81820-10-00 | .REAR BRACKET ASSY | 1 | (67M0) |
| 11 | 6N7-81807-00-00 | .GEAR ASSY, STARTING MOTOR | 1 | (67M0) |
| 12 | 6N7-81857-00-00 | .RETAINER | 1 | (67M0) |
| 13 | 6N7-81830-00-00 | .FRONT BRACKET ASSY | 1 | (67M0) |
| 14 | 6K7-81826-10-00 | .BOLT | 2 | (67M0) |
| 15 | 6E5-8182E-10-00 | .WASHER | 1 | (67M0) |
| 16 | 6E5-8182F-10-00 | .WASHER | 2 | (67M0) |
| 17 | 6E5-8182A-10-00 | .NUT | 1 | (67M0) |
| 18 | 6E5-8182K-10-00 | .NUT | 1 | (67M0) |
| 19 | 67H-81822-00-94 | BRACKET, STARTING MOTOR | 1 | (67M0) |
| 20 | 90119-08M76-00 | BOLT, WITH WASHER | 2 | (67M0) |
| 21 | 90119-08M77-00 | BOLT, WITH WASHER | 2 | (67M0) |
| 22 | 90119-08M57-00 | BOLT, WITH WASHER | 1 | (67M0) |
| 23 | 92990-08600-00 | .WASHER, PLATE | 1 | (67M0) |
| 24 | 97095-08016-00 | BOLT | 1 | (67M0) |
| 25 | 92995-08600-00 | WASHER | 1 | (67M0) |

VX150TLRZ 2001 / BOTTOM COWLING



©2013 Yamaha Motor Corporation, U.S.A. All rights reserved.


Part List

VX150TLRZ 2001 / BOTTOM COWLING

| REF - NO | PART NUMBER | PART NAME | QUANTITY | REMARKS |
|----------------|-----------------|------------------------------|----------|---------------------|
| 1 | 64D-42711-01-8D | COWLING, BOTTOM 1 | 1 | (67M0) |
| 2 | 90169-05M00-00 | SCREW, TRUSS HEAD TAPPING | 1 | FLUSHING KIT (67M0) |
| 3 | 61A-42727-00-00 | GROMMET | 1 | (67M0) |
| 4 | 6H4-42748-00-00 | GROMMET | 1 | (67M0) |
| 5 | 64D-42815-00-4D | LEVER, CLAMP | 2 | (67M0) |
| 6 | 64D-42816-00-4D | LEVER, CLAMP | 1 | (67M0) |
| 7 | 64D-42835-00-00 | PIN, SET 1 | 3 | (67M0) |
| 8 | 97095-06040-00 | .BOLT | 3 | (67M0) |
| 9 | 90201-06068-00 | WASHER, PLATE | 3 | (67M0) |
| 10 | 90386-15M73-00 | BUSH | 6 | (67M0) |
| 11 | 90206-15M18-00 | WASHER, WAVE | 3 | (67M0) |
| 12 | 64D-42818-20-00 | LEVER, CLAMP | 1 | (67M0) |
| 13 | 64D-42818-30-00 | LEVER, CLAMP | 2 | (67M0) |
| 14 | 64D-43144-00-00 | HOOK, SPRING | 3 | (67M0) |
| 15 | 97090-06012-00 | BOLT | 3 | (67M0) |
| 16 | 92990-06600-00 | WASHER, PLATE | 3 | (67M0) |
| 17 | 90506-16M34-00 | SPRING, TENSION | 3 | (67M0) |
| 18 | 6E5-44391-00-00 | NIPPLE, HOSE | 1 | (67M0) |
| 19 | 64D-42725-30-00 | GROMMET | 1 | (67M0) |
| 20 | 64D-42738-00-5B | PLATE, FITTING | 1 | (67M0) |
| 21 | 64D-42738-10-5B | PLATE, FITTING | 1 | (67M0) |
| 22 | 97095-06016-00 | BOLT | 3 | (67M0) |
| 23 | 92995-06600-00 | WASHER | 3 | (67M0) |
| 24 | 90480-22M15-00 | GROMMET | 4 | (67M0) |
| 25 | 90387-08M37-00 | COLLAR | 4 | (67M0) |
| 26 | 90201-08M54-00 | WASHER, PLATE | 1 | (67M0) |
| 27 | 97075-08035-00 | BOLT | 1 | (67M0) |
| 28 | 90119-08M22-00 | BOLT, WITH WASHER | 3 | (67M0) |
| 29 | 67H-42723-00-00 | COVER, BOTTOM | 1 | (67M0) |
| 30 | 688-42726-10-00 | GROMMET | 1 | (67M0) |
| 31 | 6E5-82588-00-00 | PLATE | 1 | (67M0) |
| 32 | 97095-06020-00 | BOLT | 1 | (67M0) |
| 33 | 92995-06600-00 | WASHER | 1 | (67M0) |
| 34 | 6R3-42741-02-8D | APRON | 1 | (67M0) |
| 35 | 97095-06020-00 | BOLT | 2 | (67M0) |
| 36 | 92995-06600-00 | WASHER | 2 | (67M0) |
| 37 | 64D-42717-00-00 | RUBBER, SEAL 2 | 2 | (67M0) |
| 38 | 6R3-42771-01-8D | APRON | 1 | (67M0) |
| 39 | 97095-06020-00 | BOLT | 4 | (67M0) |
| 40 | 92995-06600-00 | WASHER | 4 | (67M0) |
| 41 | 6E5-42716-10-00 | RUBBER, SEAL 1 | 1 | (67M0) |
| 42 | 6R3-12572-00-00 | .ADAPTER | 1 | FLUSHING KIT (67M0) |
| 43 | 6R3-12580-00-00 | .JOINT ASSY | 1 | FLUSHING KIT (67M0) |
| 44 | 90445-11M35-00 | .HOSE (LS40) | 1 | FLUSHING KIT (67M0) |
| 45 | 90465-11M10-00 | CLAMP | 2 | FLUSHING KIT (67M0) |
| 46 | 68F-42753-00-00 | FASTNER | 1 | (67M0) |
| 47 | 90601-20022-00 | CLAMP | 1 | (67M0) |
| 48 | 6K7-82588-00-00 | PLATE | 1 | (67M0) |
| 49 | 97095-06020-00 | BOLT | 1 | (67M0) |
| 50 | 92995-06600-00 | WASHER | 1 | (67M0) |

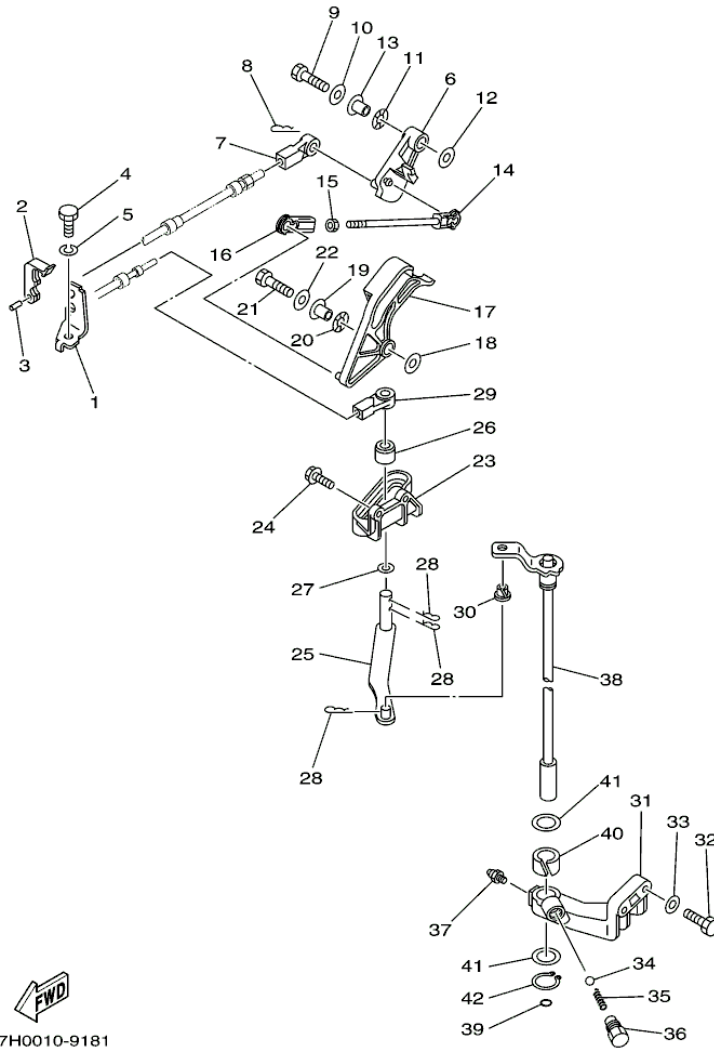
Part Notes

VX150TLRZ 2001 / BOTTOM COWLING

| PART NUMBER | NOTE TEXT |
|--|---|
| 92990-06600-00  | OEM: This part number is among the Top 100 Most Popular Marine Maintenance Parts as of August 2013. |

©2013 Yamaha Motor Corporation, U.S.A. All rights reserved.

VX150TLRZ 2001 / CONTROL



©2013 Yamaha Motor Corporation, U.S.A. All rights reserved.


Part List

VX150TLRZ 2001 / CONTROL

| REF - NO | PART NUMBER | PART NAME | QUANTITY | REMARKS |
|----------------|-----------------|------------------------------|----------|----------|
| 1 | 67H-48531-00-00 | BRACKET, REMOTE CONTROL 1 | 1 | (67M0) |
| 2 | 663-48538-00-00 | CLAMP, CABLE 1 | 1 | (67M0) |
| 3 | 91690-30010-00 | PIN, SPRING | 1 | (67M0) |
| 4 | 97095-08016-00 | BOLT | 1 | (67M0) |
| 5 | 92995-08100-00 | WASHER | 1 | (67M0) |
| 6 | 67H-41632-00-00 | LEVER, MAGNETO CONTROL | 1 | (67M0) |
| 7 | 6E5-48344-00-00 | CABLE END, REMOTE CONTROL | 1 | (67M0) |
| 8 | 90468-18008-00 | CLIP | 1 | (67M0) |
| 9 | 97013-06030-00 | BOLT | 1 | (67M0) |
| 10 | 92903-06600-00 | WASHER, PLATE | 1 | (67M0) |
| 11 | 90206-10M04-00 | WASHER, WAVE | 1 | (67M0) |
| 12 | 90201-06M31-00 | WASHER, PLATE | 1 | (67M0) |
| 13 | 90387-06M29-00 | COLLAR | 1 | (67M0) |
| 14 | 61A-41237-00-00 | JOINT, LINK | 1 | (67M0) |
| 15 | 95380-05600-00 | NUT | 1 | (67M0) |
| 16 | 682-41237-00-00 | JOINT, LINK | 1 | (67M0) |
| 17 | 67H-41213-01-00 | CAM, ACCEL. | 1 | (67M0) |
| 18 | 90201-06M31-00 | WASHER, PLATE | 1 | (67M0) |
| 19 | 90387-06M29-00 | COLLAR | 1 | (67M0) |
| 20 | 90206-10M04-00 | WASHER, WAVE | 1 | (67M0) |
| 21 | 97013-06030-00 | BOLT | 1 | (67M0) |
| 22 | 92903-06600-00 | WASHER, PLATE | 1 | (67M0) |
| 23 | 6E5-44117-00-1S | BRACKET | 1 | (67M0) |
| 24 | 90119-06MA2-00 | BOLT, WITH WASHER | 2 | (67M0) |
| 25 | 68F-44121-00-00 | LEVER, SHIFT ROD | 1 | (67M0) |
| 26 | 6E5-44122-00-00 | BUSHING, SHIFT ROD LEVER | 1 | (67M0) |
| 27 | 90202-08M20-00 | WASHER, PLATE | 1 | (67M0) |
| 28 | 90468-18008-00 | CLIP | 3 | (67M0) |
| 29 | 6E5-48344-00-00 | CABLE END, REMOTE CONTROL | 1 | (67M0) |
| 30 | 90386-06M12-00 | BUSH | 1 | (67M0) |
| 31 | 6E5-44118-01-94 | BRACKET | 1 | (67M0) |
| 32 | 97013-08030-00 | BOLT | 2 | (67M0) |
| 33 | 92903-08600-00 | WASHER, PLATE | 2 | (67M0) |
| 34 | 93501-04M02-00 | BALL | 1 | (67M0) |
| 35 | 90501-12082-00 | SPRING, COMPRESSION | 1 | (67M0) |
| 36 | 648-42715-00-00 | BUSHING | 1 | (67M0) |
| 37 | 93700-06M03-00 | NIPPLE, GREASE | 1 | (67M0) |
| 38 | 6E5-44120-03-00 | HANDLE GEAR SHIFT ASSY | 1 | L (67M0) |
| 39 | 93210-09165-00 | O-RING | 1 | (67M0) |
| 40 | 90386-16M66-00 | BUSH | 1 | (67M0) |
| 41 | 90202-16061-00 | WASHER, PLATE | 2 | (67M0) |
| 42 | 93410-16006-00 | CIRCLIP | 1 | (67M0) |

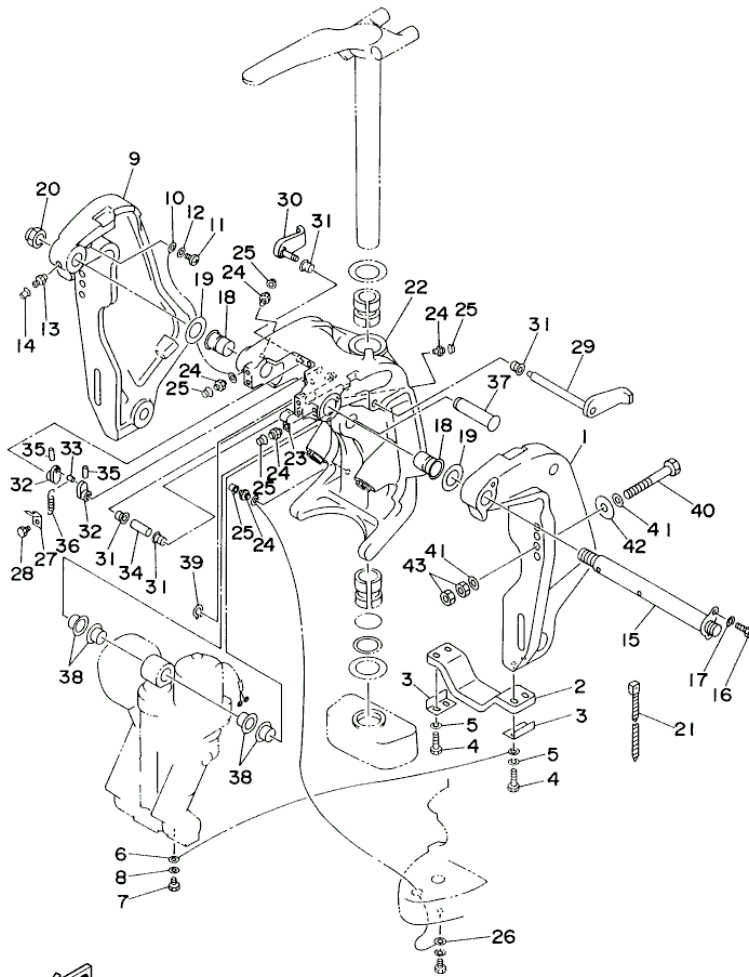
Part Notes

VX150TLRZ 2001 / CONTROL

| PART NUMBER | NOTE TEXT |
|--|---|
| 93700-06M03-00  | OEM: This part number is among the Top 100 Most Popular Marine Maintenance Parts as of August 2013. |

©2013 Yamaha Motor Corporation, U.S.A. All rights reserved.

VX150TLRZ 2001 / BRACKET 1




6N60010-7160

©2013 Yamaha Motor Corporation, U.S.A. All rights reserved.




Part List

VX150TLRZ 2001 / BRACKET 1

| REF - NO | PART NUMBER | PART NAME | QUANTITY | REMARKS |
|----------|-----------------|------------------------|----------|-----------|
| 1 | 64E-43111-01-8D | BRACKET, CLAMP | 1 | (67M0) |
| 2 | 6G5-45251-01-00 | ANODE | 1 | (67M0) |
| 3 | 6G5-44526-00-00 | PLATE | 2 | (67M0) |
| 4 | 97095-06030-00 | BOLT | 4 | (67M0) |
| 5 | 92995-06100-00 | WASHER, SPRING | 4 | (67M0) |
| 6 | 6E5-82148-00-00 | WIRE, LEAD 4 | 1 | (67M0) |
| 7 | 97095-06010-00 | BOLT | 1 | (67M0) |
| 8 | 92995-06600-00 | WASHER | 1 | (67M0) |
| 9 | 64E-43112-01-8D | BRACKET, CLAMP | 1 | (67M0) |
| 10 | 6E5-82148-00-00 | WIRE, LEAD 4 | 1 | (67M0) |
| 11 | 97880-06012-00 | SCREW, PAN HEAD | 1 | (67M0) |
| 12 | 92990-06600-00 | WASHER, PLATE | 1 | (67M0) |
| 13 | 93700-06M03-00 | NIPPLE, GREASE | 1 | (67M0) |
| 14 | 663-45119-00-00 | CAP, GREASE NIPPLE | 1 | AP (67M0) |
| 15 | 64E-43131-01-00 | BOLT, CLAMP BRACKET | 1 | (67M0) |
| 16 | 97095-08020-00 | BOLT | 1 | (67M0) |
| 17 | 92995-08100-00 | WASHER | 1 | (67M0) |
| 18 | 90386-25M31-00 | BUSH | 2 | (67M0) |
| 19 | 90201-26M59-00 | WASHER, PLATE | 2 | (67M0) |
| 20 | 90185-22M11-00 | NUT, SELF-LOCKING | 1 | (67M0) |
| 21 | 90465-11M10-00 | CLAMP | 1 | (67M0) |
| 22 | 64E-43311-10-8D | BRACKET, SWIVEL 1 | 1 | L (67M0) |
| 23 | 90465-08M63-00 | CLAMP | 1 | (67M0) |
| 24 | 93700-06M03-00 | NIPPLE, GREASE | 5 | (67M0) |
| 25 | 663-45119-00-00 | CAP, GREASE NIPPLE | 5 | AP (67M0) |
| 26 | 6E5-82147-00-00 | WIRE, LEAD 5 | 1 | L (67M0) |
| 27 | 6G5-43144-00-00 | HOOK, SPRING | 1 | (67M0) |
| 28 | 97095-06010-00 | BOLT | 1 | (67M0) |
| 29 | 6G5-43181-02-00 | LEVER, TILT STOP 1 | 1 | (67M0) |
| 30 | 6G5-43185-02-00 | LEVER, TILT STOP 2 | 1 | (67M0) |
| 31 | 90386-10M16-00 | BUSH | 4 | (67M0) |
| 32 | 6G5-43148-00-00 | COLLAR, DISTANCE | 2 | (67M0) |
| 33 | 90249-06M19-00 | PIN | 1 | (67M0) |
| 34 | 90387-10M05-00 | COLLAR | 1 | (67M0) |
| 35 | 91690-30020-00 | PIN, SPRING | 2 | (67M0) |
| 36 | 90506-14M24-00 | SPRING, TENSION | 1 | (67M0) |
| 37 | 64E-43126-00-00 | PIN, UPPER SHOCK MOUNT | 1 | (67M0) |
| 38 | 90386-22M98-00 | BUSH | 4 | (67M0) |
| 39 | 93410-22M11-00 | CIRCLIP | 1 | (67M0) |
| 40 | 90101-12M05-00 | BOLT (L:130MM) | 4 | (67M0) |
| 41 | 90201-13M01-00 | WASHER, PLATE | 8 | (67M0) |
| 42 | 90201-12M05-00 | WASHER, PLATE | 4 | (67M0) |
| 43 | 95380-12600-00 | NUT | 8 | (67M0) |

Part Notes

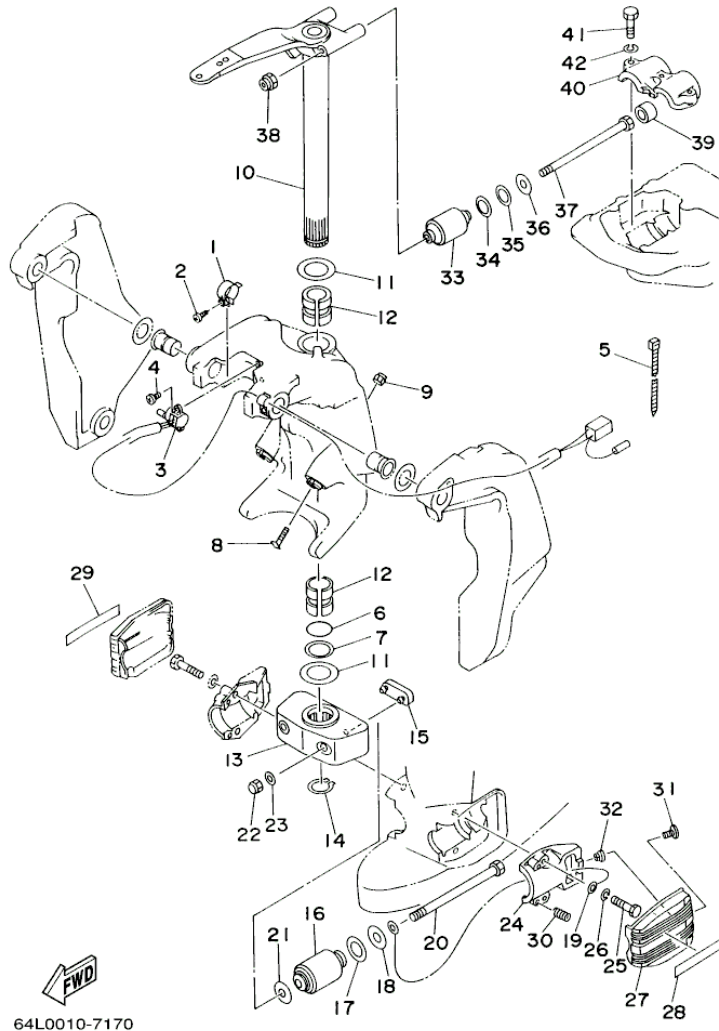
VX150TLRZ 2001 / BRACKET 1

| PART NUMBER | | NOTE TEXT |
|----------------|---|---|
| 92995-06100-00 |  | OEM: This part number is among the Top 100 Most Popular Marine Maintenance Parts as of August 2013. |
| 92990-06600-00 |  | OEM: This part number is among the Top 100 Most Popular Marine Maintenance Parts as of August 2013. |
| 93700-06M03-00 |  | OEM: This part number is among the Top 100 Most Popular Marine Maintenance Parts as of August 2013. |
| 93700-06M03-00 | | OEM: This part number is among the Top 100 Most Popular Marine Maintenance Parts as of August 2013. |



©2013 Yamaha Motor Corporation, U.S.A. All rights reserved.

VX150TLRZ 2001 / BRACKET 2



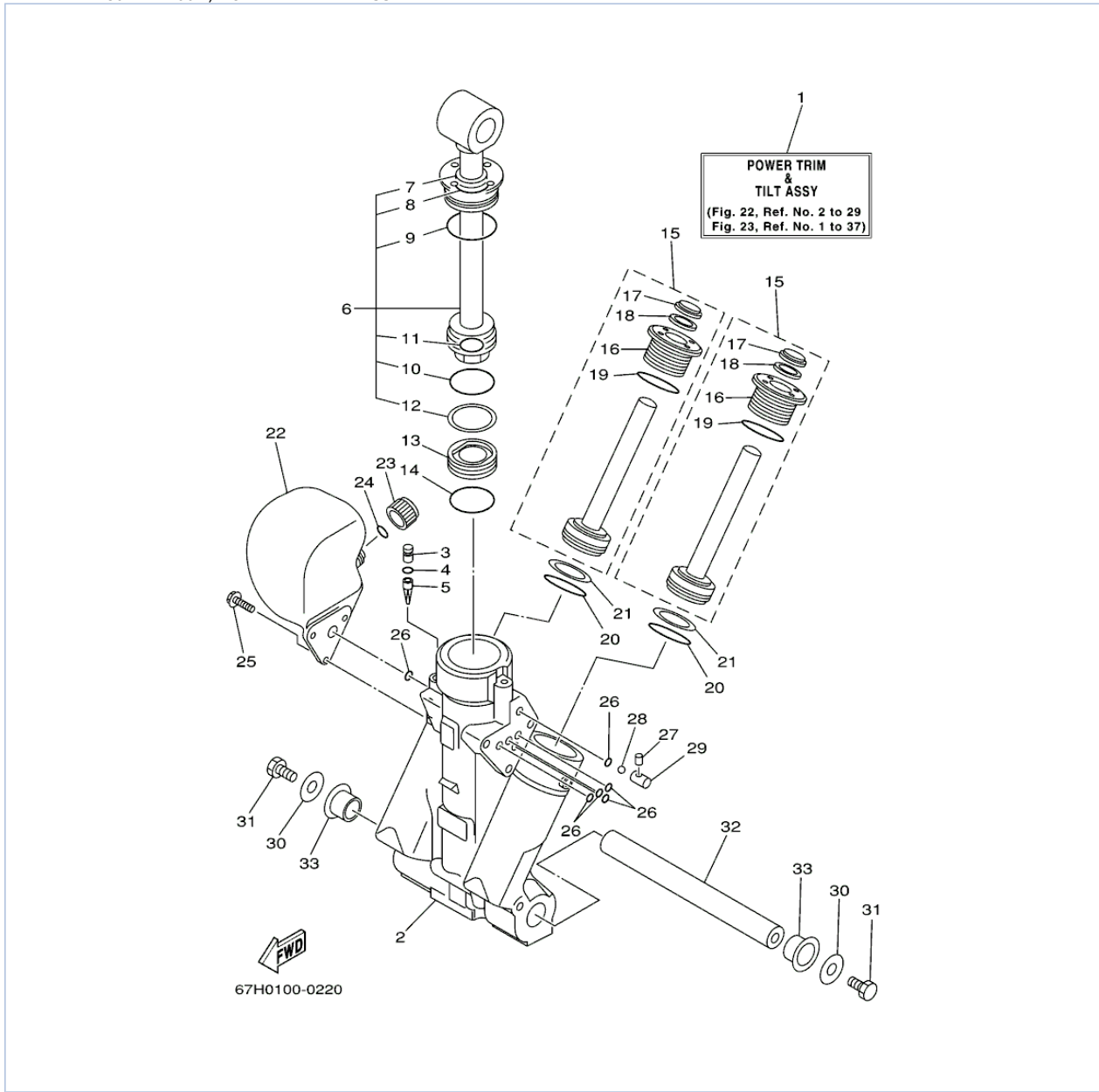
©2013 Yamaha Motor Corporation, U.S.A. All rights reserved.

Part List

VX150TLRZ 2001 / BRACKET 2

| REF - NO | PART NUMBER | PART NAME | QUANTITY | REMARKS |
|----------------|-----------------|--------------------------------|----------|----------|
| 1 | 64E-43139-01-00 | CAM, TRIM SENDER | 1 | (67M0) |
| 2 | 97780-60525-00 | SCREW, TAPPING | 1 | (67M0) |
| 3 | 64E-83672-02-00 | TRIM SENDER | 1 | (67M0) |
| 4 | 97885-06016-00 | SCREW, PAN HEAD | 2 | (67M0) |
| 5 | 90465-11M10-00 | CLAMP | 3 | (67M0) |
| 6 | 93210-37MH7-00 | O-RING | 1 | (67M0) |
| 7 | 90202-40M47-00 | WASHER, PLATE | 1 | (67M0) |
| 8 | 61A-43376-00-00 | BOLT, THRUST RECEIVER | 2 | (67M0) |
| 9 | 95780-10300-00 | NUT, FLANGE | 2 | (67M0) |
| 10 | 6E5-42510-A1-8D | STEERING BRACKET ASSY | 1 | L (67M0) |
| 11 | 90201-38M60-00 | WASHER, PLATE | 2 | (67M0) |
| 12 | 90386-38M32-00 | BUSH | 2 | (67M0) |
| 13 | 6G5-44551-01-8D | HOUSING, LOWER MOUNT RUBBER | 1 | (67M0) |
| 14 | 93410-37M04-00 | CIRCLIP | 1 | (67M0) |
| 15 | 6E5-44575-00-00 | DAMPER, LOWER MOUNT RUBBER | 1 | (67M0) |
| 16 | 6J9-44555-00-94 | MOUNT DAMPER, LOWER SIDE | 2 | (67M0) |
| 17 | 90202-32M19-00 | WASHER, PLATE | 2 | (67M0) |
| 18 | 90201-16M55-00 | WASHER, PLATE | 2 | (67M0) |
| 19 | 6E5-82149-00-00 | WIRE, LEAD 3 | 1 | (67M0) |
| 20 | 90109-14M34-00 | BOLT | 2 | (67M0) |
| 21 | 90201-15M58-00 | WASHER, PLATE | 2 | (67M0) |
| 22 | 95380-14800-00 | NUT | 2 | (67M0) |
| 23 | 92995-14600-00 | WASHER | 2 | (67M0) |
| 24 | 6E5-44552-01-94 | HOUSING, LOWER MOUNT RUBBER | 2 | (67M0) |
| 25 | 97095-10045-00 | BOLT | 4 | (67M0) |
| 26 | 92995-10100-00 | WASHER | 4 | (67M0) |
| 27 | 6J9-44553-01-NA | COVER, LOWER MOUNT | 2 | (67M0) |
| 28 | 65N-43155-N0-00 | MARK 1 | 1 | (67M0) |
| 29 | 65N-43156-N0-00 | MARK 2 | 1 | (67M0) |
| 30 | 90501-16M28-00 | SPRING, COMPRESSION | 4 | (67M0) |
| 31 | 90157-06M05-00 | SCREW, PAN HEAD | 2 | (67M0) |
| 32 | 90179-06066-00 | NUT | 2 | (67M0) |
| 33 | 6J9-44514-00-94 | MOUNT DAMPER, UPPER SIDE | 2 | (67M0) |
| 34 | 90201-26M57-00 | WASHER, PLATE | 2 | (67M0) |
| 35 | 90202-26M18-00 | WASHER, PLATE | 2 | (67M0) |
| 36 | 90201-14M56-00 | WASHER, PLATE | 2 | (67M0) |
| 37 | 90109-12M37-00 | BOLT | 2 | (67M0) |
| 38 | 90185-12M12-00 | NUT, SELF-LOCKING | 2 | (67M0) |
| 39 | 663-44575-00-00 | DAMPER, LOWER MOUNT RUBBER | 2 | (67M0) |
| 40 | 6E5-44511-00-5B | COVER, UPPER MOUNT | 1 | (67M0) |
| 41 | 97095-10045-00 | BOLT | 3 | (67M0) |
| 42 | 92995-10100-00 | WASHER | 3 | (67M0) |

VX150TLRZ 2001 / POWER TRIM TILT ASSY 1



©2013 Yamaha Motor Corporation, U.S.A. All rights reserved.





Part List

VX150TLRZ 2001 / POWER TRIM TILT ASSY 1

| REF - NO | PART NUMBER | PART NAME | QUANTITY | REMARKS |
|----------------|-----------------|------------------------------|----------|---------|
| 1 | 68F-43800-00-4D | POWER TRIM & TILT ASSY | 1 | (67M0) |
| 2 | 64E-43825-00-00 | HOUSING, TRIM & TILT | 1 | (67M0) |
| 3 | 64E-4388J-00-00 | PLUG 2 | 1 | (67M0) |
| 4 | 93210-10M74-00 | O-RING | 1 | (67M0) |
| 5 | 64E-43817-00-00 | FILTER 2 | 1 | (67M0) |
| 6 | 64E-43810-00-00 | TILT PISTON SUB ASSY | 1 | (67M0) |
| 7 | 64E-43898-00-00 | .SEAL, DUST 2 | 1 | (67M0) |
| 8 | 64E-43867-00-00 | .O-RING | 1 | (67M0) |
| 9 | 64E-43866-00-00 | .O-RING | 1 | (67M0) |
| 10 | 6E5-43862-00-00 | .O-RING | 1 | (67M0) |
| 11 | 64E-43883-00-00 | .O-RING | 1 | (67M0) |
| 12 | 6E5-43872-00-00 | .RING, BACK UP | 1 | (67M0) |
| 13 | 6E5-43814-02-00 | PISTON, FREE | 1 | (67M0) |
| 14 | 6E5-43862-00-00 | O-RING | 1 | (67M0) |
| 15 | 64E-43820-00-00 | PISTON SUB ASSEMBLY | 2 | (67M0) |
| 16 | 64E-43821-00-00 | .SCREW, TRIM CYLINDER END | 1 | (67M0) |
| 17 | 64E-43822-00-00 | .SEAL, TRIM DUST | 1 | (67M0) |
| 18 | 64E-4384J-00-00 | .SEAL, TRIM DOWN | 1 | (67M0) |
| 19 | 6G5-43864-00-00 | .O-RING | 1 | (67M0) |
| 20 | 6E5-43864-00-00 | O-RING | 2 | (67M0) |
| 21 | 6E5-43874-01-00 | RING, BACK UP | 2 | (67M0) |
| 22 | 64E-43828-00-00 | BODY, RESERVOIR | 1 | (67M0) |
| 23 | 64E-43829-00-00 | PLUG, RESERVOIR | 1 | (67M0) |
| 24 | 64E-43897-00-00 | O-RING | 1 | (67M0) |
| 25 | 64E-4388E-00-00 | BOLT ,SCREW (L:14MM) | 3 | (67M0) |
| 26 | 64E-43869-00-00 | O-RING | 6 | (67M0) |
| 27 | 64E-4381G-00-00 | PIN | 1 | (67M0) |
| 28 | 6E5-43858-00-00 | BALL | 1 | (67M0) |
| 29 | 64E-4382G-00-00 | VALVE, SEAT | 1 | (67M0) |
| 30 | 90201-08M14-00 | WASHER, PLATE | 2 | (67M0) |
| 31 | 97080-08016-00 | BOLT | 2 | (67M0) |
| 32 | 64E-43818-01-00 | PIN, LOWER SHOCK MOUNT | 1 | (67M0) |
| 33 | 90386-22M98-00 | BUSH | 2 | (67M0) |

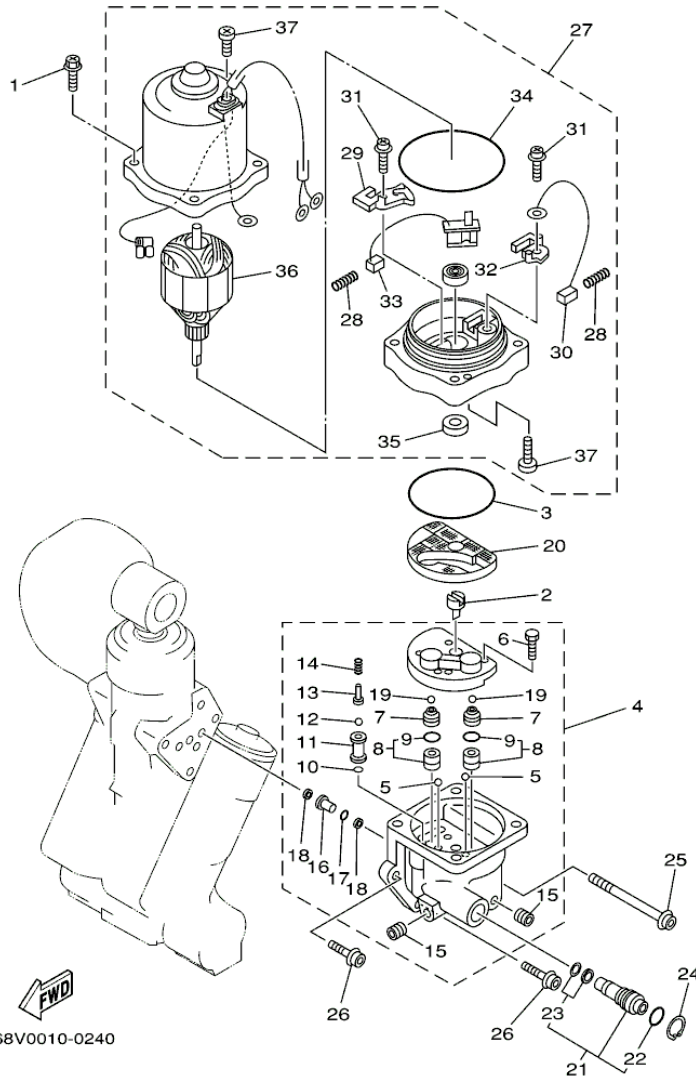
Part Notes

VX150TLRZ 2001 / POWER TRIM TILT ASSY 1

| PART NUMBER | | NOTE TEXT |
|-----------------|---|---|
| 64E-43822-00-00 |  | OEM: This part number is among the Top 100 Most Popular Marine Maintenance Parts as of August 2013. |
| 64E-4384J-00-00 |  | OEM: This part number is among the Top 100 Most Popular Marine Maintenance Parts as of August 2013. |
| 6G5-43864-00-00 |  | OEM: This part number is among the Top 100 Most Popular Marine Maintenance Parts as of August 2013. |
| 64E-43869-00-00 |  | OEM: This part number is among the Top 100 Most Popular Marine Maintenance Parts as of August 2013. |

©2013 Yamaha Motor Corporation, U.S.A. All rights reserved.

VX150TLRZ 2001 / POWER TRIM TILT ASSY 2



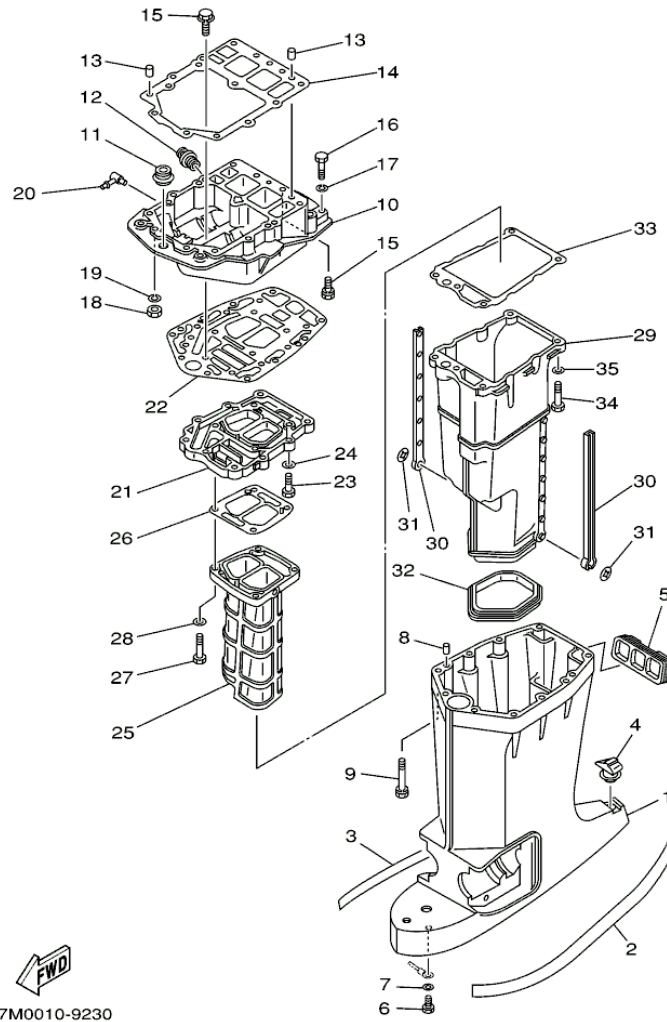
©2013 Yamaha Motor Corporation, U.S.A. All rights reserved.

Part List

VX150TLRZ 2001 / POWER TRIM TILT ASSY 2

| REF - NO | PART NUMBER | PART NAME | QUANTITY | REMARKS |
|----------------|-----------------|-------------------------|----------|---------|
| 1 | 64E-4388E-00-00 | BOLT ,SCREW (L:14MM) | 4 | (67M0) |
| 2 | 64E-43831-00-00 | CONNECTOR, SHAFT | 1 | (67M0) |
| 3 | 64E-43868-00-00 | O-RING | 1 | (67M0) |
| 4 | 64E-43830-00-00 | GEAR PUMP ASSY | 1 | (67M0) |
| 5 | 72X-43858-00-00 | .BALL | 2 | (67M0) |
| 6 | 64E-43843-00-00 | .SCREW, VALVE LOCK | 4 | (67M0) |
| 7 | 64E-43841-00-00 | .PISTON, SHUTTLE | 2 | (67M0) |
| 8 | 64E-43802-00-00 | .VALVE SUB ASSY | 2 | (67M0) |
| 9 | 6E5-43896-00-00 | ..O-RING | 1 | (67M0) |
| 10 | 6G5-43863-00-00 | .O-RING | 1 | (67M0) |
| 11 | 64E-43851-00-00 | .SEAT, RELIEF VALVE | 1 | (67M0) |
| 12 | 64E-43858-00-00 | .BALL | 1 | (67M0) |
| 13 | 64E-43859-00-00 | .PIN, VALVE SUPPORT | 1 | (67M0) |
| 14 | 64E-43855-00-00 | .SPRING, UP RELIEF | 1 | (67M0) |
| 15 | 6E5-43826-01-00 | .PLUG, TAPER SCREW | 2 | (67M0) |
| 16 | 64E-43850-00-00 | .VALVE SUB ASSY | 1 | (67M0) |
| 17 | 64E-43865-00-00 | .O-RING | 1 | (67M0) |
| 18 | 64E-43816-00-00 | .FILTER 1 | 2 | (67M0) |
| 19 | 64E-43858-00-00 | .BALL | 2 | (67M0) |
| 20 | 64E-43817-10-00 | FILTER 2 | 1 | (67M0) |
| 21 | 64E-43860-00-00 | MANUAL VALVE SUB-ASSY | 1 | (67M0) |
| 22 | 72X-85075-L0-00 | .O-RING | 1 | (67M0) |
| 23 | 64E-43827-00-00 | .RING SET | 1 | (67M0) |
| 24 | 64E-43875-00-00 | RING, SNAP | 1 | (67M0) |
| 25 | 64E-43879-10-00 | SCREW, WITH WASHER | 1 | (67M0) |
| 26 | 64E-43879-00-00 | SCREW, WITH WASHER | 2 | (67M0) |
| 27 | 67H-43880-00-00 | MOTOR ASSY | 1 | (67M0) |
| 28 | 6H1-4386K-10-00 | .SPRING, BRUSH | 2 | (67M0) |
| 29 | 64E-4380J-00-00 | .HOLDER, BRUSH | 1 | (67M0) |
| 30 | 64E-43891-00-00 | .BRUSH 1 | 1 | (67M0) |
| 31 | 98507-04010-00 | .SCREW, PAN HEAD | 2 | (67M0) |
| 32 | 64E-4380F-00-00 | .HOLDER, BRUSH 2 | 1 | (67M0) |
| 33 | 64E-43892-00-00 | .BREAKER COMP (BRUSH 2) | 1 | (67M0) |
| 34 | 6G5-43865-00-00 | .O-RING | 1 | (67M0) |
| 35 | 93102-08M43-00 | .OIL SEAL | 1 | (67M0) |
| 36 | 64E-43805-00-00 | .ARMATURE ASSY | 1 | (67M0) |
| 37 | 64E-43843-10-00 | .SCREW, VALVE LOCK | 3 | (67M0) |

VX150TLRZ 2001 / UPPER CASING



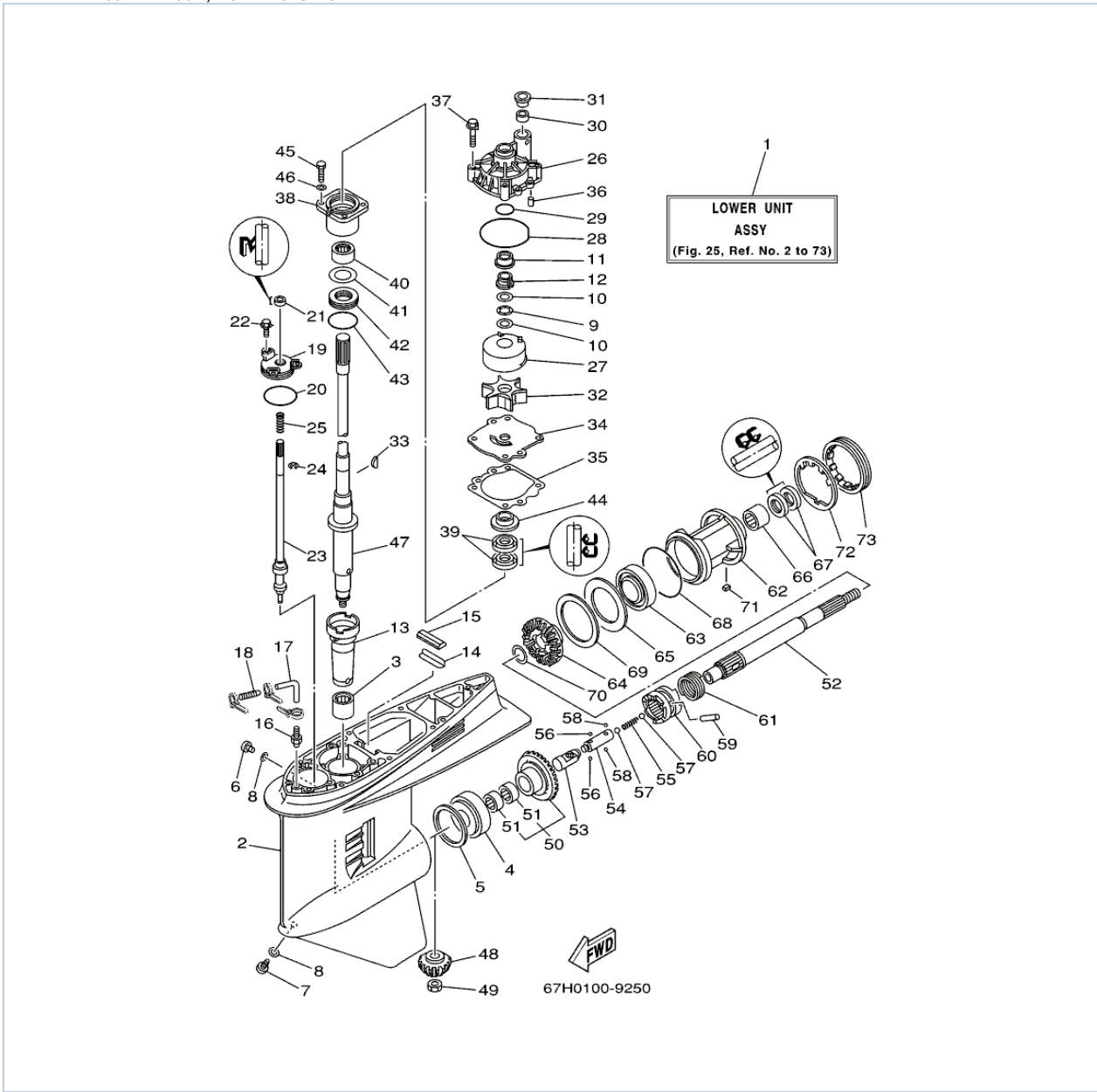
©2013 Yamaha Motor Corporation, U.S.A. All rights reserved.

Part List

VX150TLRZ 2001 / UPPER CASING

| REF - NO | PART NUMBER | PART NAME | QUANTITY | REMARKS |
|----------------|-----------------|------------------------------|----------|---------------------|
| 1 | 6E5-45111-02-8D | CASING, UPPER | 1 | L (67M0) |
| 2 | 6N9-42791-40-00 | MARK 1 | 1 | (67M0) |
| 3 | 6N9-42792-40-00 | MARK 2 | 1 | (67M0) |
| 4 | 6E5-45155-00-00 | CAP | 1 | (67M0) |
| 5 | 6E5-42769-00-00 | SEAL, RUBBER | 1 | (67M0) |
| 6 | 97095-06010-00 | BOLT | 1 | (67M0) |
| 7 | 92995-06600-00 | WASHER | 1 | (67M0) |
| 8 | 93608-12M05-00 | PIN, DOWEL | 2 | (67M0) |
| 9 | 90119-08M78-00 | BOLT, WITH WASHER | 6 | (67M0) |
| 10 | 6G5-41137-11-94 | GUIDE, EXHAUST | 1 | FLUSHING KIT (67M0) |
| 11 | 6E5-42724-00-00 | GROMMET | 1 | (67M0) |
| 12 | 6G5-12581-00-00 | JOINT, HOSE 1 | 1 | (67M0) |
| 13 | 93608-12M05-00 | PIN, DOWEL | 2 | (67M0) |
| 14 | 6G5-45113-A1-00 | .GASKET, UPPER CASING | 1 | (67M0) |
| 15 | 90119-08M79-00 | BOLT, WITH WASHER | 6 | (67M0) |
| 16 | 97095-08045-00 | .BOLT | 2 | (67M0) |
| 17 | 92995-08100-00 | WASHER | 2 | (67M0) |
| 18 | 95380-08700-00 | NUT | 2 | (67M0) |
| 19 | 92995-08100-00 | WASHER | 2 | (67M0) |
| 20 | 6H1-11372-00-00 | .NIPPLE, HOSE | 1 | FLUSHING KIT (67M0) |
| 21 | 6G5-41131-01-5B | MANIFOLD, EXT. 1 | 1 | (67M0) |
| 22 | 6G5-45114-A0-00 | GASKET, UPPER CASING | 1 | (67M0) |
| 23 | 97095-08030-00 | BOLT | 4 | (67M0) |
| 24 | 92995-08600-00 | WASHER | 4 | (67M0) |
| 25 | 64D-41132-00-5B | MANIFOLD, EXHAUST | 1 | (67M0) |
| 26 | 6G5-41134-A0-00 | .GASKET, EXHAUST MANIFOLD | 1 | (67M0) |
| 27 | 97095-08045-00 | .BOLT | 4 | (67M0) |
| 28 | 92995-08600-00 | WASHER | 4 | (67M0) |
| 29 | 6E5-14711-01-5B | MUFFLER 1 | 1 | (67M0) |
| 30 | 6E5-14737-00-00 | DAMPER, MUFFLER | 2 | (67M0) |
| 31 | 90183-05M02-00 | NUT, SPRING | 2 | (67M0) |
| 32 | 6E5-45123-00-00 | .GASKET, MUFFLER | 1 | (67M0) |
| 33 | 6E5-41135-A0-00 | .GASKET, EXHAUST MANIFOLD | 1 | (67M0) |
| 34 | 97095-08045-00 | .BOLT | 5 | (67M0) |
| 35 | 92995-08600-00 | WASHER | 5 | (67M0) |

VX150TLRZ 2001 / LOWER CASING DRIVE 1



©2013 Yamaha Motor Corporation, U.S.A. All rights reserved.

Part List










VX150TLRZ 2001 / LOWER CASING DRIVE 1

| REF - NO | PART NUMBER | PART NAME | QUANTITY | REMARKS |
|----------|-----------------|---------------------------|----------|-----------|
| 1 | 64K-45300-01-NA | LOWER UNIT ASSY | 1 | L (67M0) |
| 2 | 6J9-45301-04-NA | CASING, LOWER | 1 | (67M0) |
| 3 | 93311-928U5-00 | BEARING | 1 | (67M0) |
| 4 | 93332-000V3-00 | BEARING | 1 | (67M0) |
| 5 | 6G5-45567-01-30 | SHIM (T:0.30MM) | 1 | UR (67M0) |
| 5 | 6G5-45567-01-12 | SHIM (T:0.12MM) | 1 | UR (67M0) |
| 5 | 6G5-45567-01-50 | SHIM (T:0.50MM) | 1 | UR (67M0) |
| 5 | 6G5-45567-01-40 | SHIM (T:0.40MM) | 1 | UR (67M0) |
| 5 | 6G5-45567-01-18 | SHIM (T:0.18MM) | 1 | UR (67M0) |
| 5 | 6G5-45567-01-10 | SHIM (T:0.10MM) | 1 | UR (67M0) |
| 5 | 6G5-45567-01-15 | SHIM (T:0.15MM) | 1 | UR (67M0) |
| 6 | 90340-08M04-00 | PLUG, STRAIGHT SCREW | 1 | (67M0) |
| 7 | 688-45341-00-00 | PLUG, DRAIN | 1 | (67M0) |
| 8 | 90430-08020-00 | .GASKET | 2 | (67M0) |
| 9 | 90206-22M19-00 | WASHER, WAVE | 1 | (67M0) |
| 10 | 90201-22M01-00 | WASHER, PLATE | 2 | (67M0) |
| 11 | 61A-45527-00-00 | COLLAR, DRIVE SHAFT | 1 | (67M0) |
| 12 | 61A-45538-00-00 | SPACER 1 | 1 | (67M0) |
| 13 | 6G5-45536-01-00 | SLEEVE, DRIVE SHAFT | 1 | (67M0) |
| 14 | 663-45376-00-94 | GUIDE, SEAL DAMPER | 1 | L (67M0) |
| 15 | 688-45375-00-00 | DAMPER, SEAL | 1 | (67M0) |
| 16 | 6E5-45378-00-00 | NIPPLE, HOSE | 1 | (67M0) |
| 17 | 90445-07ME8-00 | HOSE (L80) | 1 | L (67M0) |
| 18 | 6E5-83558-10-00 | END, NIPPLE | 1 | (67M0) |
| 19 | 6E5-45321-00-00 | PLATE | 1 | (67M0) |
| 20 | 93210-58144-00 | .O-RING | 1 | (67M0) |
| 21 | 93106-09014-00 | .OIL SEAL | 1 | (67M0) |
| 22 | 90119-06M10-00 | BOLT, WITH WASHER | 3 | (67M0) |
| 23 | 6G5-44150-02-00 | SHIFT CAM ASSY | 1 | (67M0) |
| 24 | 93430-08006-00 | CIRCLIP | 1 | (67M0) |
| 25 | 90501-11M10-00 | SPRING, COMPRESSION | 1 | (67M0) |
| 26 | 61A-44311-01-00 | HOUSING, WATER PUMP | 1 | (67M0) |
| 27 | 61A-44322-02-00 | .INSERT, CARTRIDGE | 1 | (67M0) |
| 28 | 93210-86M38-00 | .O-RING | 1 | (67M0) |
| 29 | 93210-37160-00 | .O-RING | 1 | (67M0) |
| 30 | 6E5-44365-00-00 | DAMPER, WATER SEAL 1 | 1 | (67M0) |
| 31 | 6E5-44312-00-00 | COVER, WATER PUMP HOUSING | 1 | (67M0) |
| 32 | 6E5-44352-01-00 | .IMPELLER | 1 | (67M0) |
| 33 | 90280-04M05-00 | .KEY, WOODRUFF | 1 | (67M0) |
| 34 | 6G5-44323-00-00 | .OUTER PLATE, CARTRIDGE | 1 | (67M0) |
| 35 | 6E5-44315-A0-00 | .GASKET, WATER PUMP | 1 | (67M0) |
| 36 | 93606-12019-00 | .PIN, DOWEL | 2 | (67M0) |
| 37 | 90119-08M14-00 | .BOLT, WITH WASHER | 4 | (67M0) |
| 38 | 6E5-45331-00-94 | HOUSING, BEARING | 1 | (67M0) |
| 39 | 93101-28M16-00 | .OIL SEAL | 2 | (67M0) |
| 40 | 93317-330U2-00 | BEARING | 1 | (67M0) |
| 41 | 6E5-45587-01-12 | SHIM (T:0.12MM) | 1 | UR (67M0) |
| 41 | 6E5-45587-01-30 | SHIM (T:0.30MM) | 1 | UR (67M0) |
| 41 | 6E5-45587-01-50 | SHIM (T:0.50MM) | 1 | UR (67M0) |
| 41 | 6E5-45587-01-10 | SHIM (T:0.10MM) | 1 | UR (67M0) |
| 41 | 6E5-45587-01-15 | SHIM (T:0.15MM) | 1 | UR (67M0) |
| 41 | 6E5-45587-01-18 | SHIM (T:0.18MM) | 1 | UR (67M0) |
| 41 | 6E5-45587-01-40 | SHIM (T:0.40MM) | 1 | UR (67M0) |

| | | | | |
|----|-----------------|---------------------|---|-----------|
| 42 | 93341-930V2-00 | BEARING | 1 | (67M0) |
| 43 | 93210-55M14-00 | .O-RING | 1 | (67M0) |
| 44 | 6E5-45344-00-00 | COVER, OIL SEAL | 1 | (67M0) |
| 45 | 97095-08025-00 | BOLT | 4 | (67M0) |
| 46 | 92995-08600-00 | WASHER | 4 | (67M0) |
| 47 | 6G5-45501-01-00 | DRIVE SHAFT COMP. | 1 | L (67M0) |
| 48 | 6J9-45551-01-00 | PINION (14T) | 1 | (67M0) |
| 49 | 90170-16M01-00 | NUT | 1 | (67M0) |
| 50 | 6J9-45560-03-00 | GEAR 1 (28T) | 1 | (67M0) |
| 51 | 93315-425V3-00 | .BEARING | 2 | (67M0) |
| 52 | 6J9-45611-01-00 | SHAFT, PROPELLER | 1 | (67M0) |
| 53 | 6E5-45641-02-00 | SHIFTER | 1 | (67M0) |
| 54 | 6E5-45634-01-00 | SLIDE, SHIFT | 1 | (67M0) |
| 55 | 90501-16M37-00 | SPRING, COMPRESSION | 1 | (67M0) |
| 56 | 93507-32009-00 | .BALL | 2 | (67M0) |
| 57 | 93511-32017-00 | BALL | 2 | (67M0) |
| 58 | 93503-16003-00 | BALL | 2 | (67M0) |
| 59 | 90250-08M07-00 | PIN, STRAIGHT | 1 | (67M0) |
| 60 | 6G5-45631-10-00 | CLUTCH, DOG | 1 | (67M0) |
| 61 | 6E5-45633-01-00 | RING, CROSS PIN | 1 | (67M0) |
| 62 | 6J9-45332-00-94 | HOUSING, BEARING | 1 | (67M0) |
| 63 | 93306-209U0-00 | BEARING | 1 | (67M0) |
| 64 | 6J9-45571-02-00 | GEAR 2 (28T) | 1 | (67M0) |
| 65 | 6G5-45576-00-00 | WASHER, THRUST | 1 | (67M0) |
| 66 | 93315-430U8-00 | BEARING | 1 | (67M0) |
| 67 | 93101-30M17-00 | .OIL SEAL | 2 | (67M0) |
| 68 | 93210-97M55-00 | .O-RING | 1 | (67M0) |
| 69 | 6G5-45577-02-12 | SHIM (T:0.12MM) | 1 | UR (67M0) |
| 69 | 6G5-45577-02-30 | SHIM (T:0.30MM) | 1 | UR (67M0) |
| 69 | 6G5-45577-02-50 | SHIM (T:0.50MM) | 1 | UR (67M0) |
| 69 | 6G5-45577-02-10 | SHIM (T:0.10MM) | 1 | UR (67M0) |
| 69 | 6G5-45577-02-15 | SHIM (T:0.15MM) | 1 | UR (67M0) |
| 69 | 6G5-45577-02-18 | SHIM (T:0.18MM) | 1 | UR (67M0) |
| 69 | 6G5-45577-02-40 | SHIM (T:0.40MM) | 1 | UR (67M0) |
| 70 | 90201-30M92-00 | WASHER, PLATE | 1 | (67M0) |
| 71 | 90282-04M00-00 | KEY, STRAIGHT | 1 | (67M0) |
| 72 | 6G5-45383-01-00 | WASHER, CLAW | 1 | (67M0) |
| 73 | 6G5-45384-00-00 | NUT | 1 | (67M0) |

Part Notes

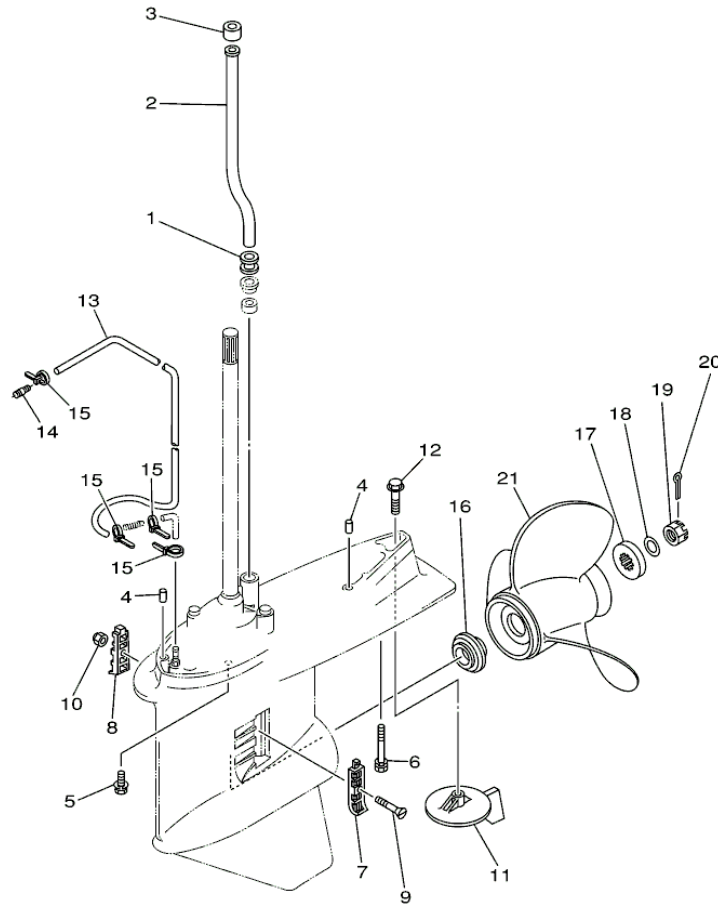
VX150TLRZ 2001 / LOWER CASING DRIVE 1

| PART NUMBER | | NOTE TEXT |
|-----------------|---|---|
| 90430-08020-00 |  | OEM: This part number is among the Top 100 Most Popular Marine Maintenance Parts as of August 2013. |
| 90201-22M01-00 |  | OEM: This part number is among the Top 100 Most Popular Marine Maintenance Parts as of August 2013. |
| 61A-45527-00-00 |  | OEM: This part number is among the Top 100 Most Popular Marine Maintenance Parts as of August 2013. |
| 61A-45538-00-00 |  | OEM: This part number is among the Top 100 Most Popular Marine Maintenance Parts as of August 2013. |
| 93106-09014-00 |  | OEM: This part number is among the Top 100 Most Popular Marine Maintenance Parts as of August 2013. |
| 61A-44311-01-00 |  | OEM: This part number is among the Top 100 Most Popular Marine Maintenance Parts as of August 2013. |
| 93210-86M38-00 |  | OEM: This part number is among the Top 100 Most Popular Marine Maintenance Parts as of August 2013. |
| 6E5-44352-01-00 |  | OEM: This part number is among the Top 100 Most Popular Marine Maintenance Parts as of August 2013. |
| 93101-28M16-00 |  | OEM: This part number is among the Top 100 Most Popular Marine Maintenance Parts as of August 2013. |
| 93101-30M17-00 | | OEM: This part number is among the Top 100 Most Popular Marine Maintenance Parts as of August 2013. |



©2013 Yamaha Motor Corporation, U.S.A. All rights reserved.

VX150TLRZ 2001 / LOWER CASING DRIVE 2



67M0010-9250

©2013 Yamaha Motor Corporation, U.S.A. All rights reserved.




Part List

VX150TLRZ 2001 / LOWER CASING DRIVE 2

| REF - NO | PART NUMBER | PART NAME | QUANTITY | REMARKS |
|----------|-----------------|------------------------------|----------|-----------|
| 1 | 6E5-44366-00-00 | DAMPER, WATER SEAL 2 | 1 | (67M0) |
| 2 | 6E5-44361-00-00 | TUBE, WATER 1 | 1 | L (67M0) |
| 3 | 6E5-44365-00-00 | DAMPER, WATER SEAL 1 | 1 | (67M0) |
| 4 | 93608-12M05-00 | PIN, DOWEL | 2 | (67M0) |
| 5 | 90101-10M70-00 | BOLT | 6 | (67M0) |
| 6 | 90119-10M89-00 | BOLT, WITH WASHER | 1 | (67M0) |
| 7 | 6J9-45214-00-00 | COVER, WATER INLET 1 | 1 | (67M0) |
| 8 | 6J9-45215-00-00 | COVER, WATER INLET 2 | 1 | (67M0) |
| 9 | 90152-05M08-00 | SCREW, COUNTERSUNK | 1 | (67M0) |
| 10 | 90185-05002-00 | NUT, NYLON | 1 | (67M0) |
| 11 | 6J9-45371-01-00 | TAB-TRIM | 1 | (67M0) |
| 12 | 90105-10M00-00 | BOLT, FLANGE | 1 | (67M0) |
| 13 | 90445-07M33-00 | HOSE (L1080) | 1 | (67M0) |
| 14 | 6E5-83558-00-00 | END, NIPPLE | 1 | (67M0) |
| 15 | 90465-11M10-00 | CLAMP | 4 | (67M0) |
| 16 | 6E5-45987-01-00 | SPACER 1 | 1 | (67M0) |
| 17 | 688-45997-01-00 | SPACER 2 | 1 | (67M0) |
| 18 | 92990-18200-00 | WASHER | 1 | (67M0) |
| 19 | 90171-18M04-00 | NUT, CASTLE | 1 | (67M0) |
| 20 | 91490-40030-00 | PIN. COTTER | 1 | (67M0) |
| 21 | 6J9-45972-10-00 | PROPELLER (3X14-1/2"X23"-M) | 1 | UR (67M0) |
| 21 | 66K-45970-B0-00 | PROPELLER (3X14-1/2"X27"-M1) | 1 | UR (67M0) |
| 21 | 66K-45972-B0-00 | PROPELLER (3X14-1/2"X25"-M2) | 1 | UR (67M0) |
| 21 | 6J9-45976-10-00 | PROPELLER (3X14-1/2"X21"-M1) | 1 | UR (67M0) |

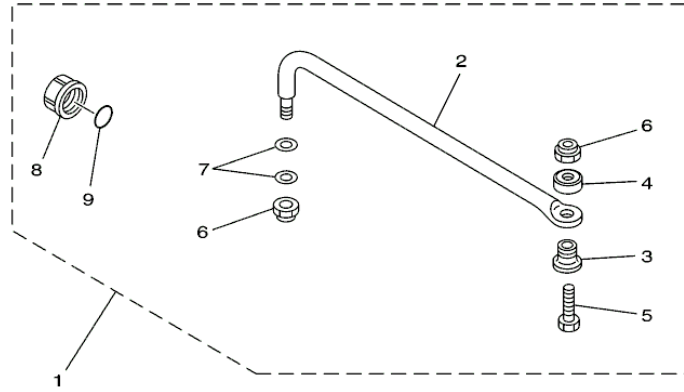
Part Notes

VX150TLRZ 2001 / LOWER CASING DRIVE 2

| PART NUMBER | NOTE TEXT |
|---|---|
| 6J9-45371-01-00  | OEM: This part number is among the Top 100 Most Popular Marine Maintenance Parts as of August 2013. |
| 90105-10M00-00  | OEM: This part number is among the Top 100 Most Popular Marine Maintenance Parts as of August 2013. |
| 91490-40030-00  | OEM: This part number is among the Top 100 Most Popular Marine Maintenance Parts as of August 2013. |

©2013 Yamaha Motor Corporation, U.S.A. All rights reserved.

VX150TLRZ 2001 / STEERING GUIDE



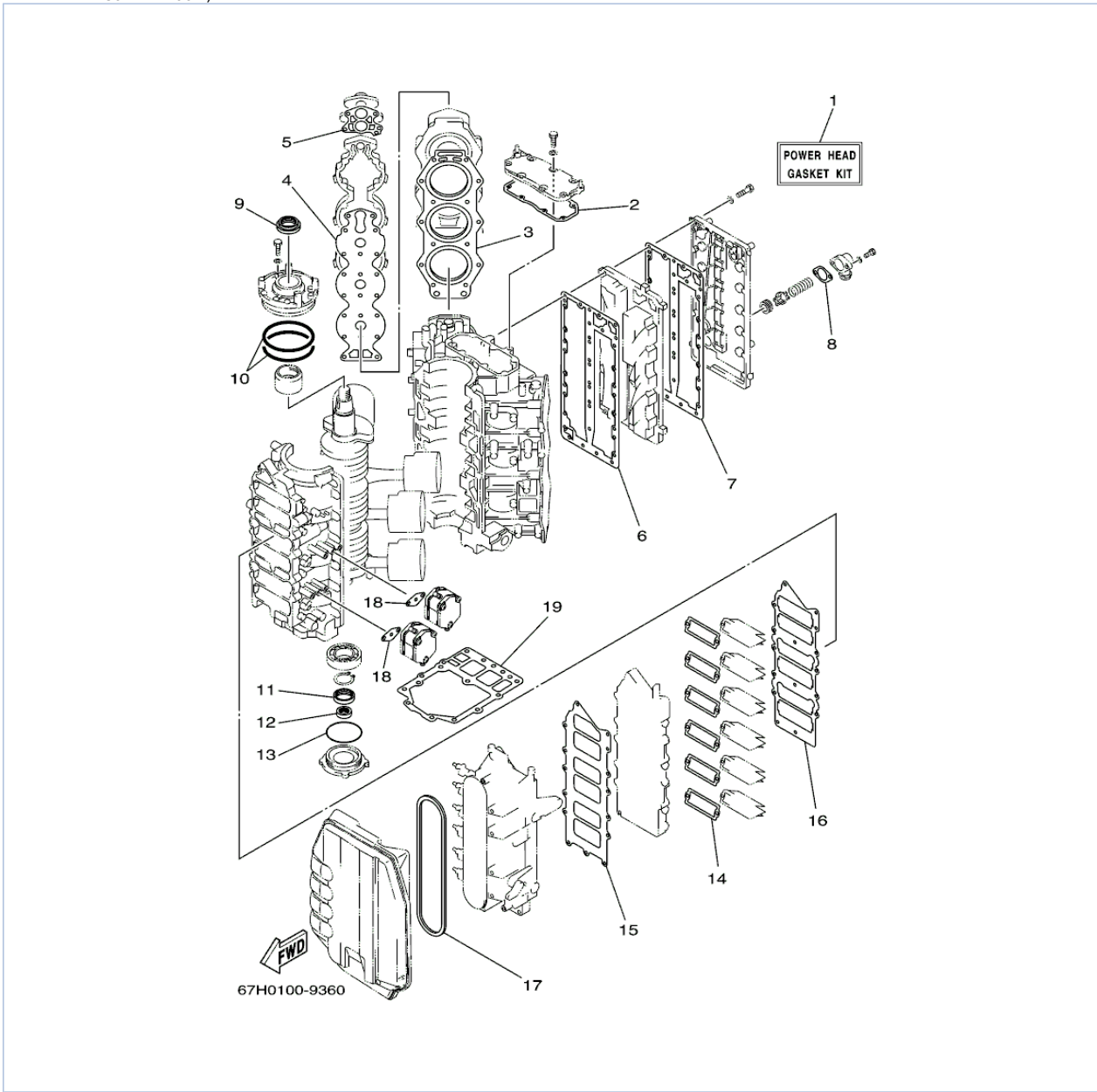
67H0100-9290

Part List

VX150TLRZ 2001 / STEERING GUIDE

| REF - NO | PART NUMBER | PART NAME | QUANTITY | REMARKS |
|----------------|-----------------|----------------------------------|----------|-----------|
| 1 | 6E5-61350-02-00 | STEERING GUIDE ATTACHMENT KIT | 1 | AP (67M0) |
| 2 | 6E5-61351-01-00 | .ROD, STEERING LINK | 1 | (67M0) |
| 3 | 90387-10M61-00 | .COLLAR | 1 | (67M0) |
| 4 | 90560-12M01-00 | .SPACER | 1 | (67M0) |
| 5 | 6E5-61355-00-00 | .BOLT | 1 | (67M0) |
| 6 | 90185-09M01-00 | .NUT, SELF-LOCKING | 2 | (67M0) |
| 7 | 90201-10M20-00 | .WASHER, PLATE | 2 | (67M0) |
| 8 | 6E5-43145-00-00 | .CAP, CLAMP BRACKET | 1 | (67M0) |
| 9 | 93210-16275-00 | .O-RING | 1 | (67M0) |

VX150TLRZ 2001 / REPAIR KIT 1



©2013 Yamaha Motor Corporation, U.S.A. All rights reserved.



Part List

VX150TLRZ 2001 / REPAIR KIT 1

| REF - NO | PART NUMBER | PART NAME | QUANTITY | REMARKS |
|----------|-----------------|------------------------------|----------|---------|
| 1 | 67H-W0001-00-00 | POWER HEAD GASKET KIT | 1 | (67M0) |
| 2 | 6E5-11381-A2-00 | .GASKET 1 | 1 | (67M0) |
| 3 | 6G5-11181-A1-00 | .GASKET, CYLINDER HEAD 1 | 2 | (67M0) |
| 4 | 6G5-11193-A0-00 | .GASKET, HEAD COVER 1 | 2 | (67M0) |
| 5 | 688-12414-A1-00 | .GASKET, COVER | 2 | (67M0) |
| 6 | 6G5-41112-A1-00 | .GASKET, EXHAUST INNER COVER | 1 | (67M0) |
| 7 | 6G5-41112-A1-00 | .GASKET, EXHAUST INNER COVER | 1 | (67M0) |
| 8 | 6G5-11382-A1-00 | .GASKET 2 | 1 | (67M0) |
| 9 | 93102-40M14-00 | .OIL SEAL | 1 | (67M0) |
| 10 | 93211-04001-00 | .O-RING | 2 | (67M0) |
| 11 | 93102-35M13-00 | .OIL SEAL | 1 | (67M0) |
| 12 | 93101-22M15-00 | .OIL SEAL | 1 | (67M0) |
| 13 | 93210-74M35-00 | .O-RING | 1 | (67M0) |
| 14 | 61A-13621-A0-00 | .GASKET, VALVE SEAT | 6 | (67M0) |
| 15 | 65L-13646-00-00 | .GASKET, MANIFOLD 2 | 1 | (67M0) |
| 16 | 65L-13645-00-00 | .GASKET, MANIFOLD 1 | 1 | (67M0) |
| 17 | 65L-14483-00-00 | .GASKET | 1 | (67M0) |
| 18 | 650-24431-A0-00 | .GASKET, FUEL PUMP 1 | 2 | (67M0) |
| 19 | 6G5-45113-A1-00 | .GASKET, UPPER CASING | 1 | (67M0) |

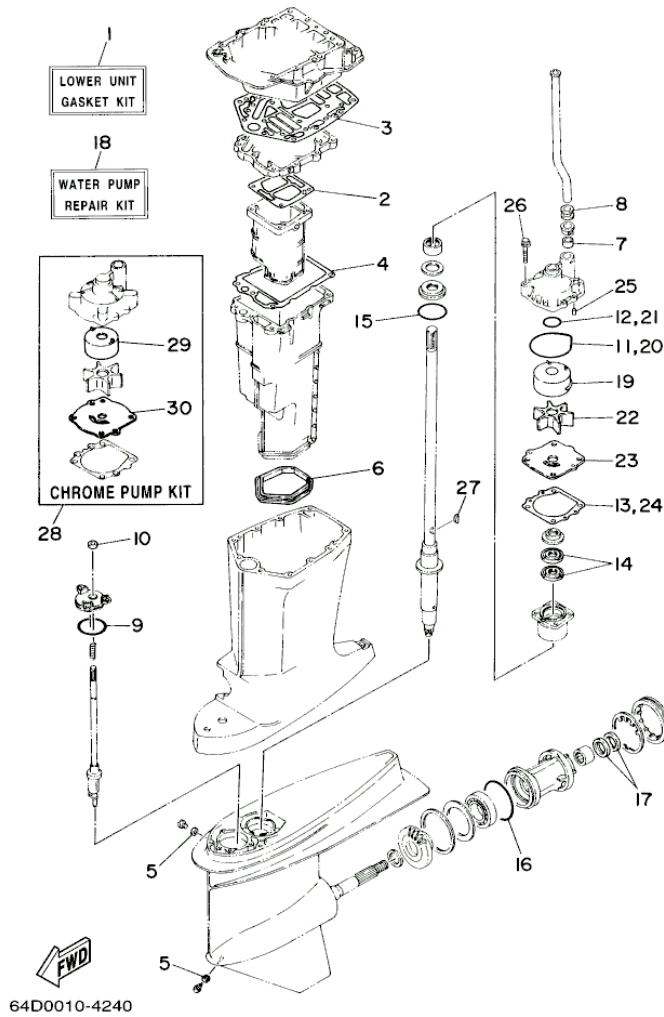
Part Notes

VX150TLRZ 2001 / REPAIR KIT 1

| PART NUMBER | NOTE TEXT |
|---|---|
| 688-12414-A1-00  | OEM: This part number is among the Top 100 Most Popular Marine Maintenance Parts as of August 2013. |
| 650-24431-A0-00  | OEM: This part number is among the Top 100 Most Popular Marine Maintenance Parts as of August 2013. |

©2013 Yamaha Motor Corporation, U.S.A. All rights reserved.

VX150TLRZ 2001 / REPAIR KIT 2



©2013 Yamaha Motor Corporation, U.S.A. All rights reserved.









Part List

VX150TLRZ 2001 / REPAIR KIT 2

| REF - NO | PART NUMBER | PART NAME | QUANTITY | REMARKS |
|----------|-----------------|---------------------------|----------|---------|
| 1 | 6G5-W0001-C1-00 | LOWER UNIT GASKET KIT | 1 | (67M0) |
| 2 | 6G5-41134-A0-00 | .GASKET, EXHAUST MANIFOLD | 1 | (67M0) |
| 3 | 6G5-45114-A0-00 | .GASKET, UPPER CASING | 1 | (67M0) |
| 4 | 6E5-41135-A0-00 | .GASKET, EXHAUST MANIFOLD | 1 | (67M0) |
| 5 | 90430-08020-00 | .GASKET | 2 | (67M0) |
| 6 | 6E5-45123-00-00 | .GASKET, MUFFLER | 1 | (67M0) |
| 7 | 6E5-44365-00-00 | .DAMPER, WATER SEAL 1 | 1 | (67M0) |
| 8 | 6E5-44366-00-00 | .DAMPER, WATER SEAL 2 | 1 | (67M0) |
| 9 | 93210-58144-00 | .O-RING | 1 | (67M0) |
| 10 | 93106-09014-00 | .OIL SEAL | 1 | (67M0) |
| 11 | 93210-86M38-00 | .O-RING | 1 | (67M0) |
| 12 | 93210-37160-00 | .O-RING | 1 | (67M0) |
| 13 | 6E5-44315-A0-00 | .GASKET, WATER PUMP | 1 | (67M0) |
| 14 | 93101-28M16-00 | .OIL SEAL | 2 | (67M0) |
| 15 | 93210-55M14-00 | .O-RING | 1 | (67M0) |
| 16 | 93210-97M55-00 | .O-RING | 1 | (67M0) |
| 17 | 93101-30M17-00 | .OIL SEAL | 2 | (67M0) |
| 18 | 61A-W0078-A3-00 | WATER PUMP REPAIR KIT | 1 | (67M0) |
| 19 | 61A-44322-02-00 | .INSERT, CARTRIDGE | 1 | (67M0) |
| 20 | 93210-86M38-00 | .O-RING | 1 | (67M0) |
| 21 | 93210-37160-00 | .O-RING | 1 | (67M0) |
| 22 | 6E5-44352-01-00 | .IMPELLER | 1 | (67M0) |
| 23 | 6G5-44323-00-00 | .OUTER PLATE, CARTRIDGE | 1 | (67M0) |
| 24 | 6E5-44315-A0-00 | .GASKET, WATER PUMP | 1 | (67M0) |
| 25 | 93606-12019-00 | .PIN, DOWEL | 2 | (67M0) |
| 26 | 90119-08M14-00 | .BOLT, WITH WASHER | 4 | (67M0) |
| 27 | 90280-04M05-00 | .KEY, WOODRUFF | 1 | (67M0) |
| 28 | 61A-W0078-1A-00 | CHROME PUMP KIT | 1 | (67M0) |
| 29 | 6R3-44322-41-00 | .INSERT, CARTRIDGE | 1 | (67M0) |
| 30 | 6G5-44323-40-00 | .OUTER PLATE, CARTRIDGE | 1 | (67M0) |

Part Notes

VX150TLRZ 2001 / REPAIR KIT 2

| PART NUMBER | | NOTE TEXT |
|-----------------|---|---|
| 90430-08020-00 |  | OEM: This part number is among the Top 100 Most Popular Marine Maintenance Parts as of August 2013. |
| 93106-09014-00 |  | OEM: This part number is among the Top 100 Most Popular Marine Maintenance Parts as of August 2013. |
| 93210-86M38-00 |  | OEM: This part number is among the Top 100 Most Popular Marine Maintenance Parts as of August 2013. |
| 93101-28M16-00 |  | OEM: This part number is among the Top 100 Most Popular Marine Maintenance Parts as of August 2013. |
| 93101-30M17-00 |  | OEM: This part number is among the Top 100 Most Popular Marine Maintenance Parts as of August 2013. |
| 61A-W0078-A3-00 |  | OEM: This part number is among the Top 100 Most Popular Marine Maintenance Parts as of August 2013. |
| 93210-86M38-00 |  | OEM: This part number is among the Top 100 Most Popular Marine Maintenance Parts as of August 2013. |
| 6E5-44352-01-00 |  | OEM: This part number is among the Top 100 Most Popular Marine Maintenance Parts as of August 2013. |

©2013 Yamaha Motor Corporation, U.S.A. All rights reserved.

©2013 Yamaha Motor Corporation, U.S.A. All rights reserved.