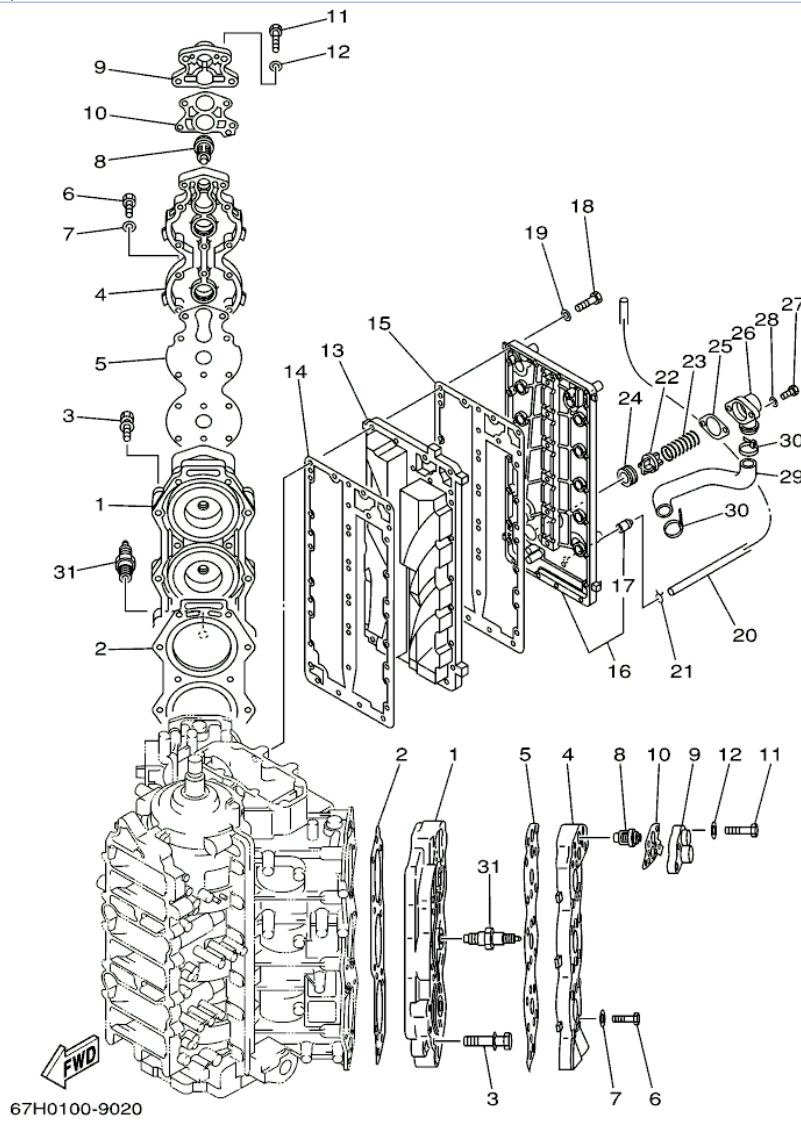


Part List

PX150TLRX 1999 / CYLINDER CRANKCASE 1

REF - NO	PART NUMBER	PART NAME	QUANTITY	REMARKS
1	67M-W0090-10-4D	CRANK CYLINDER ASSY	1	
2	67M-15100-00-94	CRANKCASE ASSY	1	
3	6E5-11372-00-00	.NIPPLE, HOSE	1	
4	624-14485-00-00	.PIPE, JOINT	1	
5	6F6-11372-00-00	.NIPPLE, HOSE	6	
6	650-11372-00-00	.NIPPLE, HOSE	6	
7	624-11379-00-00	.VALVE, CHECK	2	
8	90384-06M07-00	.BUSH, BIMETAL FORMED	1	
9	90384-14M09-00	.BUSH, BIMETAL FORMED	1	
10	663-11518-01-00	.LOCK, BEARING	2	
11	646-11370-00-00	.CHECK VALVE ASSY	6	
12	90340-14M00-00	.PLUG, STRAIGHT SCREW	2	
13	90430-14115-00	.GASKET	2	
14	93608-12063-00	PIN, DOWEL	2	
15	90105-10M20-00	BOLT, FLANGE	8	
16	90119-08M23-00	BOLT, W/WASHER	12	
17	90116-08M45-00	BOLT, STUD	2	
18	6E5-11325-00-00	ANODE	8	
19	98780-04015-00	SCREW, FLAT HEAD	8	
20	67H-11119-00-00	HANGER, ENGINE	1	
21	97013-08020-00	BOLT	2	
22	92903-08100-00	WASHER, SPRING	2	
23	6K7-11371-01-9M	COVER	1	
24	6E5-11381-A2-00	.GASKET 1	1	
25	97013-06020-00	BOLT	7	
26	92903-06600-00	WASHER, PLATE	7	
27	6E5-42761-00-94	STOPPER	1	
28	6E5-42762-00-94	STOPPER	1	
29	663-44533-00-00	DAMPER, UPPER MOUNT RUBBER	2	
30	97013-06020-00	BOLT	4	
31	92903-06600-00	WASHER, PLATE	4	
32	90445-07MA4-00	HOSE (L280)	5	
33	90445-07M45-00	HOSE (L340)	1	
34	90464-07M05-00	CLAMP	1	
35	90445-07M10-00	HOSE (L510)	1	
36	90445-07MA6-00	HOSE (L90)	12	

PX150TLRX 1999 / CYLINDER CRANKCASE 2



©2013 Yamaha Motor Corporation, U.S.A. All rights reserved.



Part List

PX150TLRX 1999 / CYLINDER CRANKCASE 2

REF - NO	PART NUMBER	PART NAME	QUANTITY	REMARKS
1	6G5-11111-04-94	HEAD, CYLINDER 1	2	
2	6G5-11181-A1-00	GASKET, CYLINDER HEAD 1	2	
3	90119-08M21-00	BOLT, WITH WASHER	28	
4	6G5-11191-00-9M	COVER, CYLINDER HEAD 1	2	
5	6G5-11193-A0-00	.GASKET, HEAD COVER 1	2	
6	97013-06030-00	BOLT	36	
7	92903-06600-00	WASHER, PLATE	36	
8	6E5-12411-20-00	THERMOSTAT	2	
9	688-12413-00-9M	COVER, THERMOSTAT	2	
10	688-12414-A1-00	.GASKET, COVER	2	
11	97013-06040-00	BOLT	8	
12	92903-06600-00	WASHER, PLATE	8	
13	64D-41111-00-9M	INNER COVER, EXHAUST	1	
14	6G5-41112-A1-00	GASKET, EXHAUST INNER COVER	1	
15	6G5-41114-A0-00	.GASKET, EXHAUST OUTER COVER	1	
16	67H-41113-00-9M	OUTER COVER, EXHAUST	1	
17	650-24378-00-00	.PIPE, JOINT 4	1	
18	97013-06035-00	BOLT	29	
19	92903-06600-00	WASHER, PLATE	29	
20	90445-09M25-00	HOSE (L600)	1	
21	90467-08004-00	CLIP	1	
22	6G5-12416-00-00	VALVE, PRESSURE CONTROL	1	
23	90501-16M11-00	SPRING, COMPRESSION	1	
24	90480-20M05-00	GROMMET	1	
25	6G5-11382-A1-00	.GASKET 2	1	
26	6G5-11372-00-5B	NIPPLE, HOSE (6G5-11372- 00-9M)	1	
27	97013-06020-00	BOLT	2	
28	92903-06600-00	WASHER, PLATE	2	
29	67H-12576-00-00	HOSE 1	1	
30	90465-13M18-00	CLAMP	2	
31	NGK-BR7HS-10-00	PLUG, SPARK (NGK BR7HS- 10)	6	

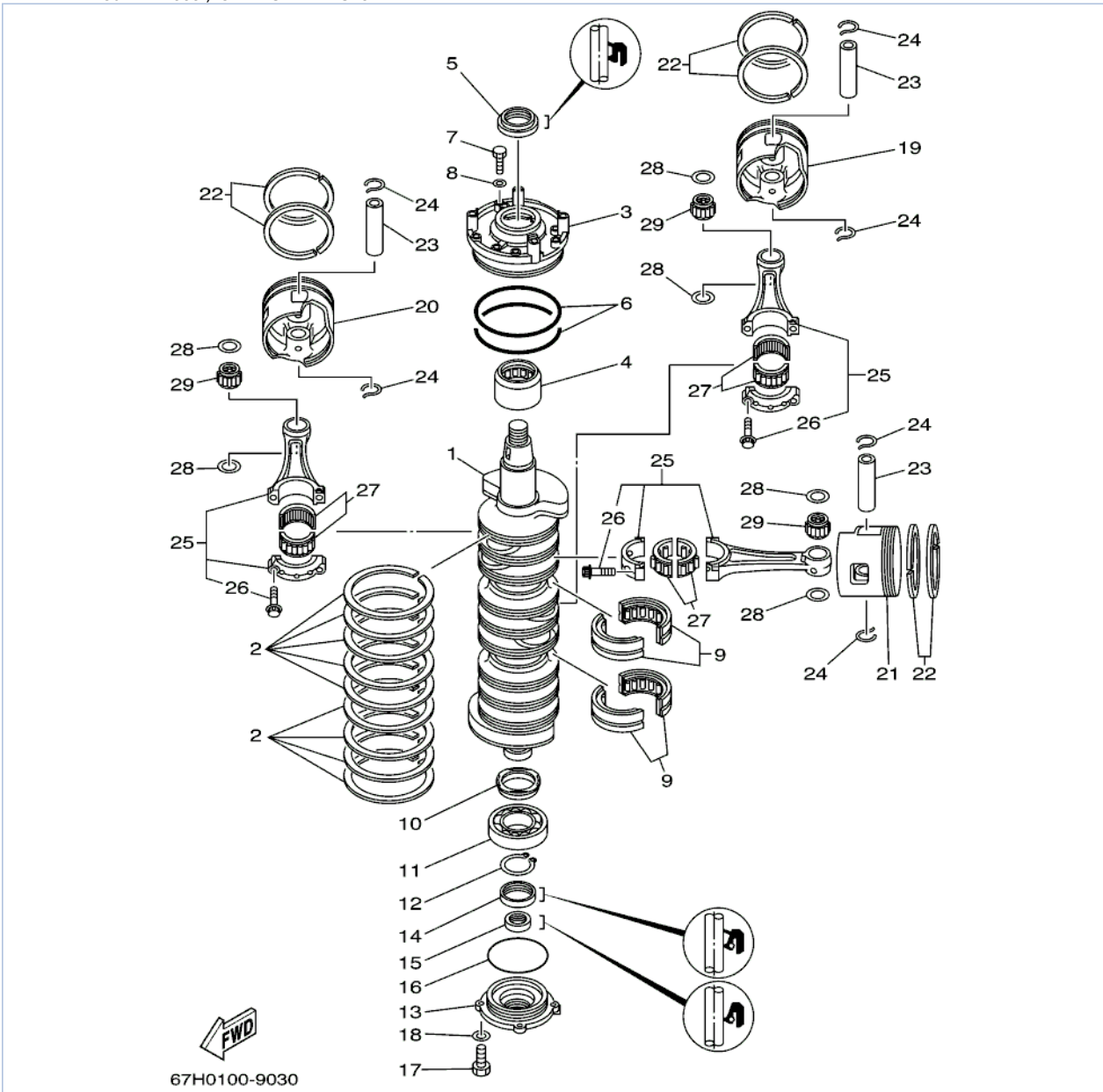
Part Notes

PX150TLRX 1999 / CYLINDER CRANKCASE 2

PART NUMBER		NOTE TEXT
688-12414-A1-00		OEM: This part number is among the Top 100 Most Popular Marine Maintenance Parts as of August 2013.
90480-20M05-00		OEM: This part number is among the Top 100 Most Popular Marine Maintenance Parts as of August 2013.

©2013 Yamaha Motor Corporation, U.S.A. All rights reserved.

PX150TLRX 1999 / CRANKSHAFT PISTON



67H0100-9030

©2013 Yamaha Motor Corporation, U.S.A. All rights reserved.

Part List

PX150TLRX 1999 / CRANKSHAFT PISTON

REF - NO	PART NUMBER	PART NAME	QUANTITY	REMARKS
1	67H-11411-00-00	CRANKSHAFT	1	
2	6E5-11447-00-00	SEAL, CRANK	9	
3	67H-15163-00-94	HOUSING, BEARING 1	1	
4	93311-940U3-00	BEARING	1	
5	93102-40M14-00	.OIL SEAL	1	
6	93211-04M36-00	.O-RING	2	
7	97013-06025-00	BOLT	4	
8	92903-06600-00	WASHER, PLATE	4	
9	93310-954U1-00	BEARING	2	
10	6R3-11536-00-00	GEAR, DRIVE	1	
11	93306-208U0-00	BEARING	1	
12	93410-40M03-00	CIRCLIP	1	
13	6G5-15359-00-94	HOUSING, OIL SEAL	1	
14	93102-35M13-00	OIL SEAL	1	
15	93101-22M15-00	.OIL SEAL	1	
16	93210-74M35-00	.O-RING	1	
17	97095-06020-00	BOLT	4	
18	92995-06600-00	WASHER	4	
19	64D-11631-01-90	PISTON (STD)	2	#3,5
19	64D-11636-01-00	PISTON (0.50MM O/S)	2	AP
20	67H-11631-00-85	PISTON (STD)	1	#1
20	67H-11636-00-00	PISTON (0.50MM O/S)	1	AP
21	64D-11642-01-90	PISTON 2 (STD)	3	#2,4,6
21	64D-11646-01-00	PISTON 2 (0.50MM O/S)	3	AP
22	64D-11605-01-00	PISTON RING SET (0.50MM O/S)	6	AP
22	64D-11603-01-00	PISTON RING SET (STD)	6	
23	6R5-11633-10-00	PIN, PISTON	6	
24	6R5-11634-10-00	CLIP, PISTON PIN	12	
25	6R5-11650-10-00	CONNECTING ROD ASSY	6	
26	90109-08M71-00	.BOLT	2	
27	93310-323V6-00	BEARING	6	
28	90201-23M01-00	WASHER, PLATE	12	
29	93310-836U0-00	BEARING	6	


Part List

PX150TLRX 1999 / FUEL INJECTION PUMP

REF - NO	PART NUMBER	PART NAME	QUANTITY	REMARKS
1	66K-14980-00-00	BODY, FLOAT CHAMBER	1	
2	66K-14182-00-00	COVER, FLOAT CHAMBER	1	
3	65L-14546-00-00	VALVE, NEEDLE	1	
4	66K-14985-00-00	FLOAT	1	
5	66K-14548-00-00	PIN, FLOAT ARM	1	
6	66K-14984-00-00	GASKET, FLOAT CHAMBER	1	
7	65L-14125-00-00	SCREW	10	
8	66K-13906-00-00	REGULATOR, PRESSURE	1	
9	66K-14255-00-00	PLATE	1	
10	66K-14239-00-00	SEAL	3	
11	66K-14325-00-00	SCREW, PAN HEAD	1	
12	66K-14163-00-00	SPACER	3	
13	65L-13905-00-00	FILTER COMP	1	
14	65L-14966-00-00	CAP	1	
15	65L-24486-00-00	O-RING	1	
16	66K-14245-00-00	SCREW, GUIDE	2	
17	66K-13907-00-00	FUEL PUMP COMP.	1	
18	65L-14227-00-00	.O-RING	2	
19	65L-14194-00-00	.RING	2	
20	65L-14159-00-00	.CLIP	1	
21	66K-13781-00-00	.DAMPER, PUMP	1	
22	66K-13844-00-00	.PLATE 2	1	
23	66K-13915-00-00	.FILTER	1	
24	65L-1416A-00-00	.O-RING	1	
25	66K-14271-00-00	INSULATOR	2	
26	65L-8182A-00-00	NUT	1	
27	65L-8182K-00-00	NUT	1	
28	65L-8182E-00-00	WASHER	1	
29	65L-8182F-00-00	WASHER	1	
30	66K-13843-00-00	PLATE 1	1	
31	65L-14147-00-00	O-RING	1	
32	65L-14274-00-00	CONNECTOR	1	
33	66K-24376-00-00	PIPE, JOINT 1	1	
34	66K-24489-00-00	O-RING	1	
35	65L-14397-00-00	O-RING	3	
36	65L-14992-00-00	SCREW, DRAIN	1	
37	65L-14997-00-00	SEAL	2	
38	65L-24375-00-00	GROMMET	3	
39	65L-24397-00-00	COLLAR	3	
40	65L-24576-00-00	WASHER	3	
41	66K-24579-00-00	WASHER 2	6	
42	65L-24592-00-00	BOLT	3	
43	65L-24169-00-00	WASHER, LOCK	3	
44	67H-82507-00-00	WIRE, LEAD	1	
45	66K-13542-00-00	HOSE, VACUUM SENSING 1	1	
46	66K-13544-00-00	HOSE, VACUUM SENSING 2	2	
47	66K-13532-00-00	HOSE, VACUUM SENSING 3	1	
48	65L-24461-00-00	PIPE, JOINT	2	
49	66K-13533-00-00	HOSE, VACUUM SENSING 4	1	
50	66K-13898-00-00	HOLDER	1	
51	65L-14565-00-00	SCREW	1	

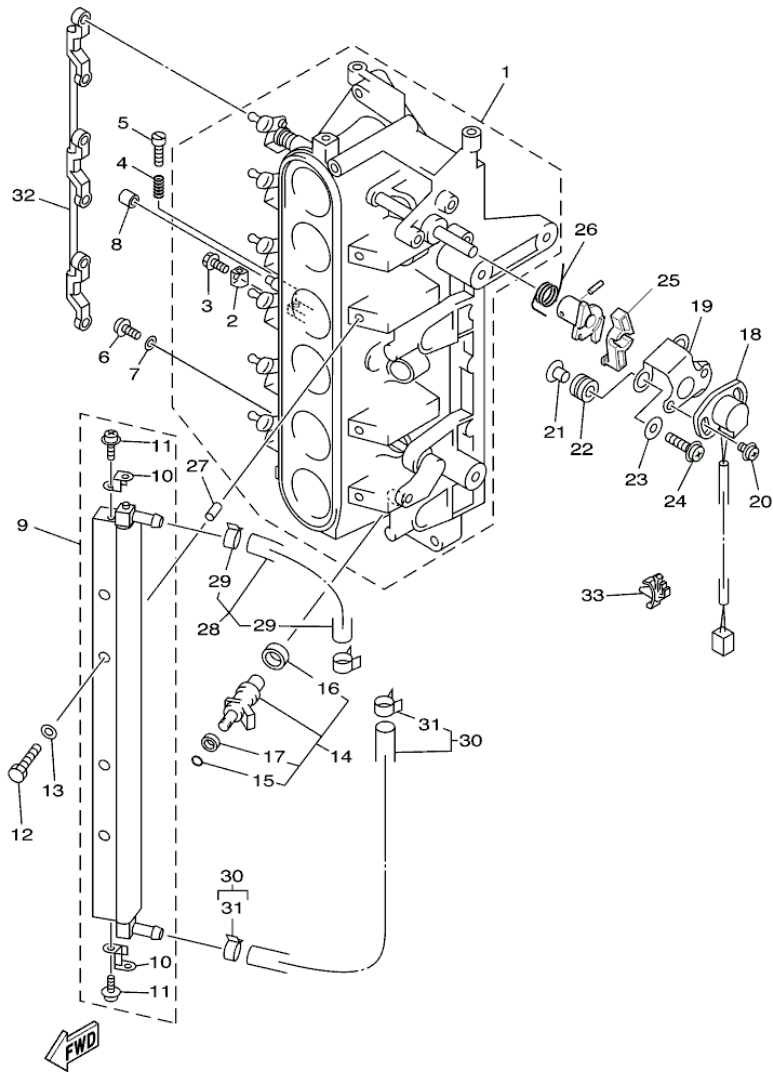
Part Notes

PX150TLRX 1999 / FUEL INJECTION PUMP

PART NUMBER		NOTE TEXT
66K-14984-00-00		OEM: This part number is among the Top 100 Most Popular Marine Maintenance Parts as of August 2013.

©2013 Yamaha Motor Corporation, U.S.A. All rights reserved.

PX150TLRX 1999 / FUEL INJECTION NOZZLE



66XUS-8051
Rev. 4-24-2012

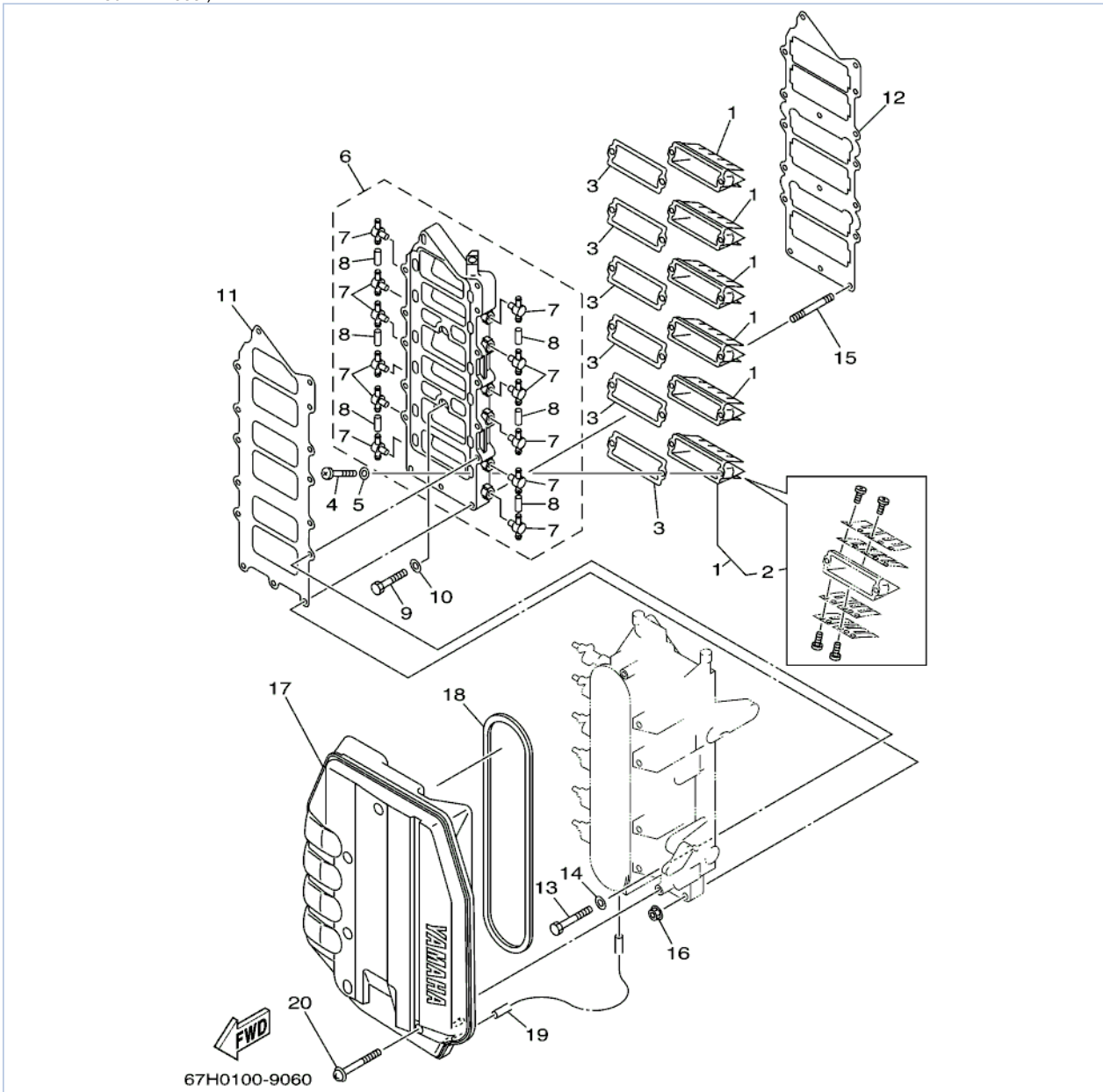
©2013 Yamaha Motor Corporation, U.S.A. All rights reserved.

Part List

PX150TLRX 1999 / FUEL INJECTION NOZZLE

REF - NO	PART NUMBER	PART NAME	QUANTITY	REMARKS
1	66K-13751-00-00	BODY, THROTTLE 1	1	
2	65L-14527-00-00	.PLATE	1	
3	65L-14565-00-00	.SCREW	1	
4	65L-14334-00-00	.SPRING, AIR ADJUSTING	1	
5	65L-14523-00-00	.SCREW, STOP	1	
6	6K5-14592-00-00	.SCREW	6	
7	90201-05552-00	.WASHER, PLATE	6	
8	65L-14578-00-00	.COLLAR	1	
9	65L-13938-00-00	PIPE	1	
10	65L-13898-00-00	.HOLDER	2	
11	65L-14565-00-00	.SCREW	2	
12	65L-13573-00-00	BOLT 1	4	
13	65L-13995-00-00	WASHER	4	
14	65L-13761-00-00	INJECTOR ASSY	6	
15	65L-13769-00-00	.O-RING	1	
16	65L-13764-00-00	.GASKET	1	
17	65L-13766-00-00	.RUBBER, INJECTOR	1	
18	61A-85885-00-00	THROTTLE SENSOR ASSY	1	
19	6K7-85886-00-00	BRACKET	1	
20	97985-05212-00	SCREW, WITH WASHER	2	
21	90387-05M00-00	COLLAR	3	
22	90480-10M23-00	GROMMET	3	
23	65L-14596-00-00	WASHER	3	
24	97985-05330-00	SCREW, WITH WASHER	3	
25	65L-14573-00-00	LEVER	1	
26	65L-14579-00-00	SPRING	1	
27	65L-13996-00-00	INSERT	2	
28	66K-13971-00-00	PIPE, FUEL 1	1	
29	65L-24387-00-00	.CLIP	2	
30	67H-13972-00-00	PIPE, FUEL 2	1	
31	65L-24387-00-00	.CLIP	2	
32	65L-41217-00-00	ROD, ACCEL. LEVER	1	
33	90464-04M12-00	CLAMP	1	

PX150TLRX 1999 / INTAKE



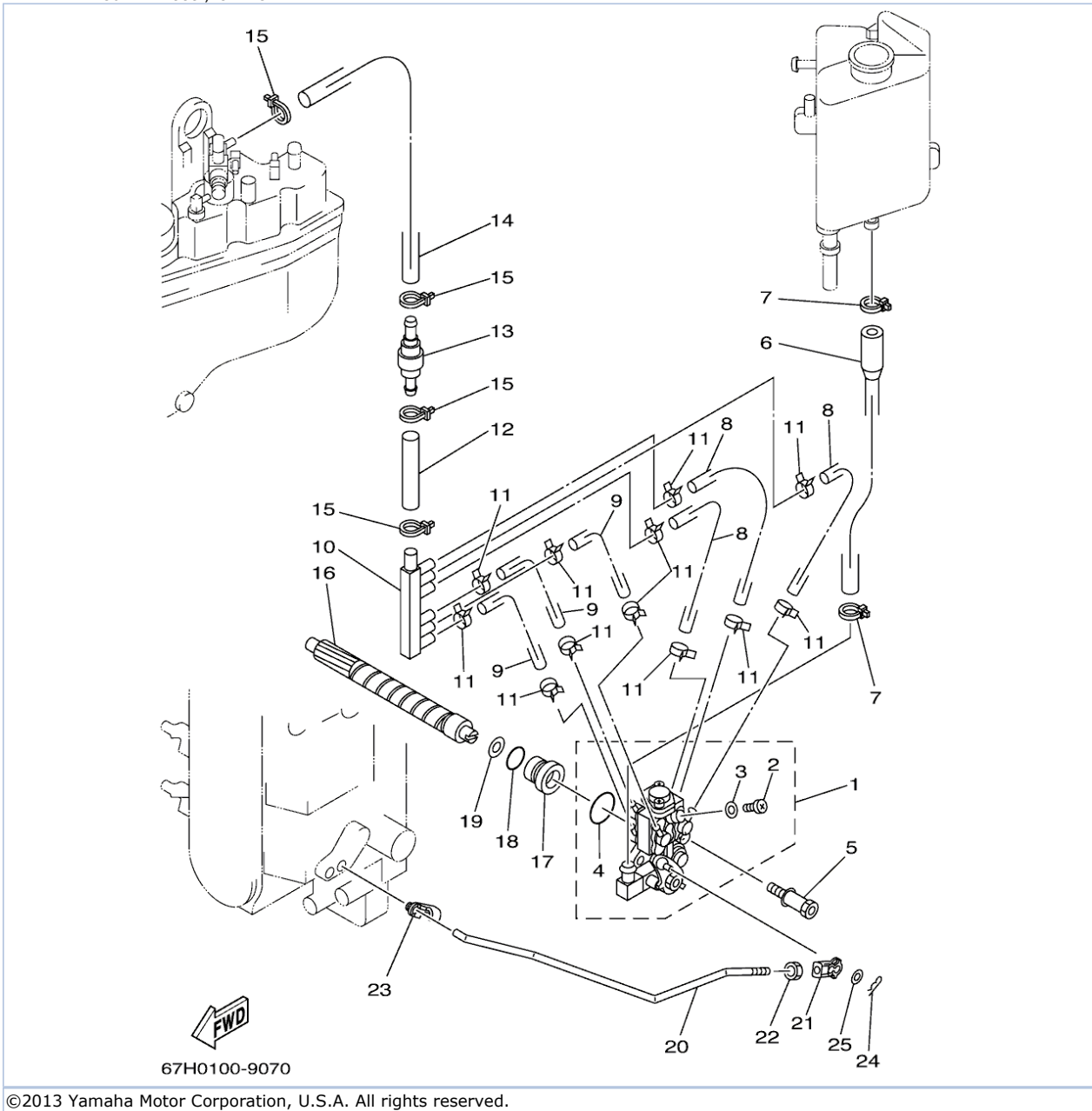
©2013 Yamaha Motor Corporation, U.S.A. All rights reserved.

Part List

PX150TLRX 1999 / INTAKE

REF - NO	PART NUMBER	PART NAME	QUANTITY	REMARKS
1	65L-13610-01-00	REED VALVE ASSY	6	
2	65J-W0004-01-00	.REED SET	1	
3	61A-13621-A0-00	.GASKET, VALVE SEAT	6	
4	97880-05016-00	SCREW, PAN HEAD	12	
5	92990-05600-00	WASHER, PLATE	12	
6	65L-13624-01-94	PLATE, REED VALVE	1	
7	6F6-11372-00-00	.NIPPLE, HOSE	12	
8	90445-07M03-00	.HOSE (L34)	6	
9	97013-06030-00	BOLT	2	
10	92903-06600-00	WASHER, PLATE	2	
11	65L-13646-00-00	.GASKET, MANIFOLD 2	1	
12	65L-13645-00-00	.GASKET, MANIFOLD 1	1	
13	97013-06060-00	BOLT	11	
14	92903-06600-00	WASHER, PLATE	11	
15	95670-06655-00	BOLT, STUD	2	
16	90179-06M24-00	NUT	2	
17	67H-14440-00-00	SILENCER ASSY, INTAKE	1	
18	65L-14483-00-00	.GASKET	1	
19	90445-07M44-00	HOSE (L250)	1	
20	90159-06M16-00	SCREW, WITH WASHER	6	

PX150TLRX 1999 / OIL PUMP




Part List

PX150TLRX 1999 / OIL PUMP

REF - NO	PART NUMBER	PART NAME	QUANTITY	REMARKS
1	6R4-13200-00-00	OIL INJECTION PUMP ASSY	1	
2	6R3-13471-00-00	.PLUG, DRAIN	1	
3	6L2-13475-00-00	.GASKET	1	
4	93210-19MA7-00	.O-RING	1	
5	90109-06M40-00	BOLT	2	
6	6R3-13416-00-00	PIPE, OIL 1	1	
7	90465-11M10-00	CLAMP	2	
8	90445-07M00-00	HOSE (L100)	3	
9	90445-07M25-00	HOSE (L53)	3	
10	65L-24378-00-00	PIPE, JOINT 4	1	
11	90468-07M02-00	CLIP	12	
12	90445-09220-00	HOSE (L30)	1	
13	65L-13183-00-00	VALVE, CHECK	1	
14	90446-09M93-00	HOSE	1	
15	90465-11M10-00	CLAMP	4	
16	6R3-11537-00-00	GEAR, DRIVEN	1	
17	6R3-13117-00-00	COLLAR, DISTANCE	1	
18	93210-13M04-00	O-RING	1	
19	90202-08M44-00	WASHER, PLATE	1	
20	67H-41241-00-00	ROD, LINK	1	
21	6H1-41237-00-00	JOINT, LINK	1	
22	95380-05600-00	NUT	1	
23	6R5-41237-00-00	JOINT, LINK	1	
24	90468-05M03-00	CLIP	1	
25	90202-05088-00	WASHER, PLATE	1	

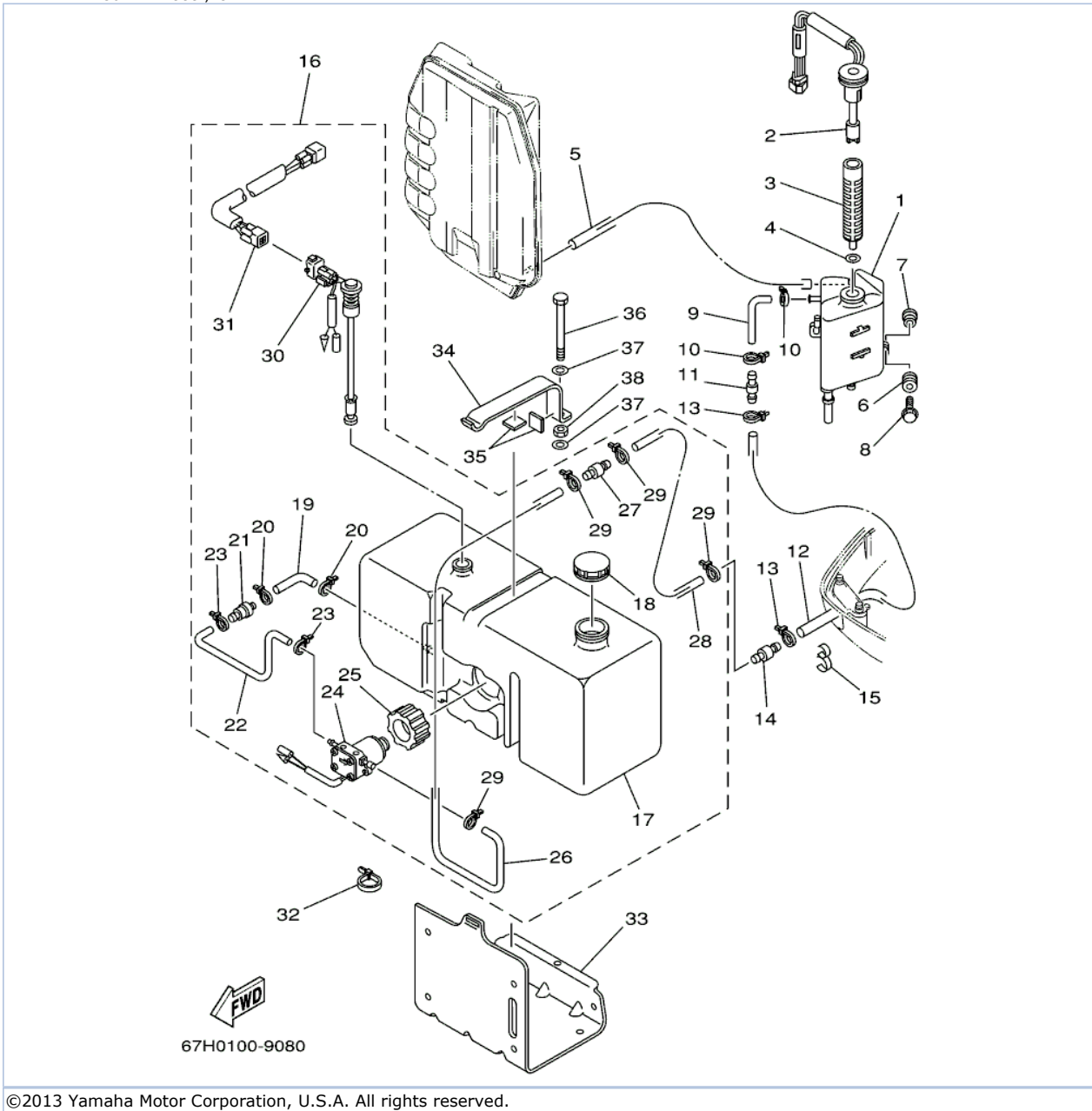
Part Notes

PX150TLRX 1999 / OIL PUMP

PART NUMBER	NOTE TEXT
6H1-41237-00-00 	OEM: This part number is among the Top 100 Most Popular Marine Maintenance Parts as of August 2013.

©2013 Yamaha Motor Corporation, U.S.A. All rights reserved.

PX150TLRX 1999 / OIL TANK





Part List

PX150TLRX 1999 / OIL TANK

REF - NO	PART NUMBER	PART NAME	QUANTITY	REMARKS
1	6E5-21750-05-00	OIL TANK ASSY	1	
2	67H-85730-00-00	OIL LEVEL GAUGE ASSY	1	
3	6E5-13411-00-00	STRAINER, OIL	1	
4	6E5-13414-00-00	GASKET, STRAINER COVER	1	
5	90445-05M08-00	HOSE (L550)	1	
6	6A0-82317-00-00	DAMPER, IGNITION COIL	3	
7	624-42542-00-00	PIPE	3	
8	90119-06M65-00	BOLT, WITH WASHER	3	
9	6R3-24323-10-00	PIPE 12	1	
10	90465-11M10-00	CLAMP	2	
11	6E5-24379-00-00	PIPE, JOINT 4	1	
12	90445-12207-00	HOSE (L2400)	1	
13	90465-11M10-00	CLAMP	2	
14	6E5-24379-00-00	PIPE, JOINT 4	1	
15	90464-13M34-00	CLAMP	1	
16	61A-21708-10-00	OIL TANK SUB-ASSY	1	AP
17	6E5-21733-10-00	.SUB TANK, OIL (18L)	1	
18	6E5-21770-03-00	.OIL TANK CAP ASSY	1	
19	6E5-24322-10-00	.PIPE 11	1	
20	90465-11M10-00	.CLAMP	2	
21	646-24251-02-00	.STRAINER 1	1	
22	6E5-24319-01-00	.PIPE, OIL	1	
23	90465-11M10-00	.CLAMP	2	
24	6E5-81900-01-00	.OIL FEED PUMP ASSY	1	
25	6E5-81922-00-00	.GROMMET	1	
26	6E5-24321-01-00	.PIPE 10	1	
27	6E5-24379-00-00	.PIPE, JOINT 4	1	
28	90445-11M26-00	.HOSE (L6500)	1	
29	90465-11M10-00	.CLAMP	4	
30	6E5-85720-04-00	.OIL LEVEL GAUGE ASSY	1	
31	6R3-85721-80-00	.WIRE, LEAD (L=80M)	1	
32	90465-13M11-00	CLAMP	1	AP
33	6E5-21734-01-33	HOLDER, OIL SUB TANK	1	AP
34	6E5-21798-01-33	BRACKET, DAMPER	1	AP
35	6E5-21746-00-00	DAMPER	2	AP
36	97080-06100-00	BOLT	1	AP
37	92990-06600-00	WASHER, PLATE	2	AP
38	95380-06600-00	NUT, HEXAGON	1	AP

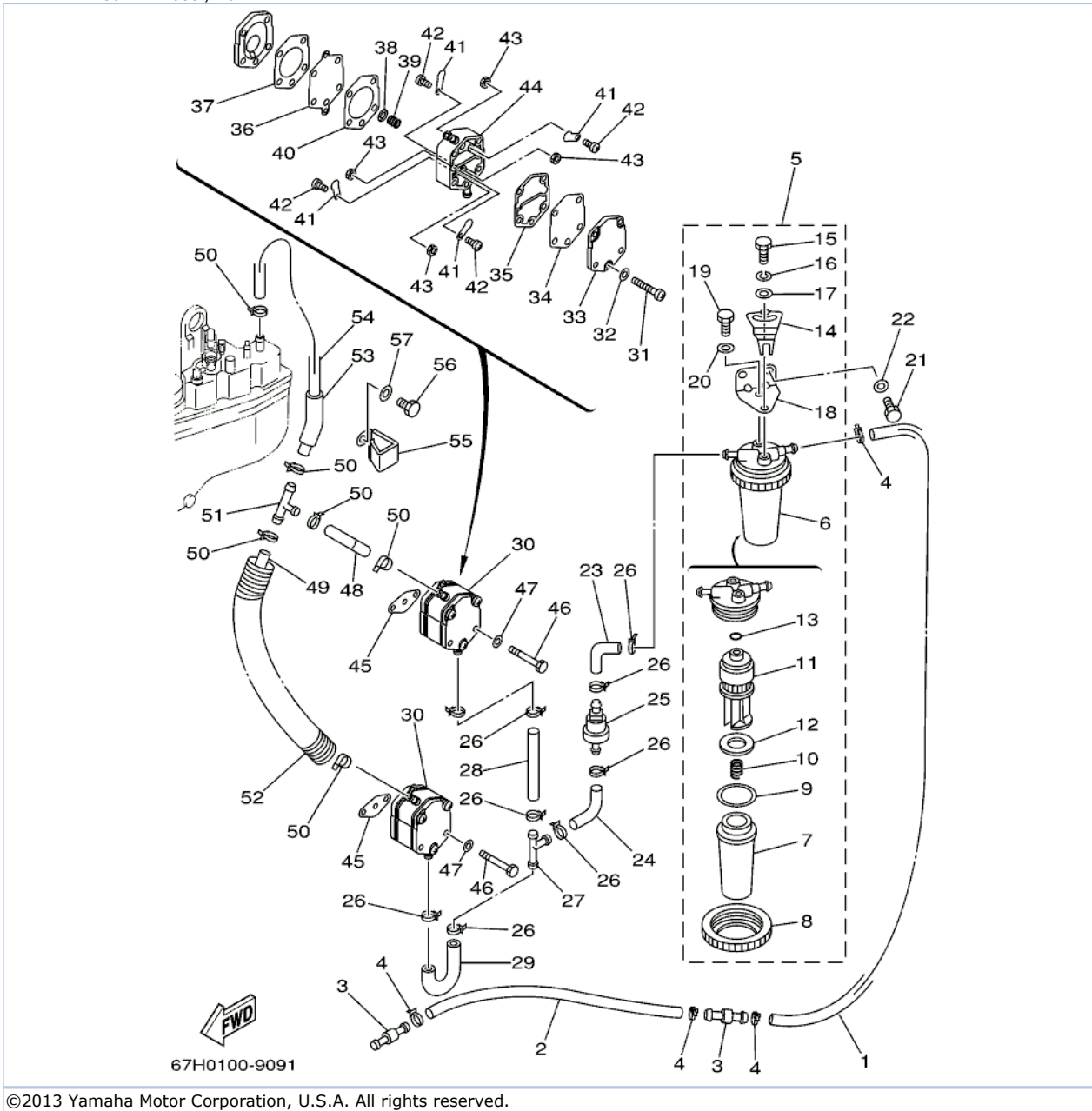
Part Notes

PX150TLRX 1999 / OIL TANK

PART NUMBER	NOTE TEXT
646-24251-02-00 	OEM: This part number is among the Top 100 Most Popular Marine Maintenance Parts as of August 2013.
92990-06600-00 	OEM: This part number is among the Top 100 Most Popular Marine Maintenance Parts as of August 2013.

©2013 Yamaha Motor Corporation, U.S.A. All rights reserved.

PX150TLRX 1999 / FUEL 1



Part List






PX150TLRX 1999 / FUEL 1

REF - NO	PART NUMBER	PART NAME	QUANTITY	REMARKS
1	61A-24313-00-00	PIPE 3	1	
2	90445-13M17-00	HOSE (L2700)	1	
3	6R3-24377-00-00	PIPE, JOINT 2	2	
4	90465-11M10-00	CLAMP	4	
5	67H-24409-00-00	WATER SEPARATOR ASSY	1	
6	65L-24560-00-00	.FILTER ASSY	1	
7	61A-24521-00-00	..CUP, FILTER	1	
8	61A-24531-00-00	..NUT	1	
9	61A-24564-00-00	..O-RING	1	
10	65L-24577-00-00	..SPRING	1	
11	65L-24563-00-00	..ELEMENT, FILTER	1	
12	61A-24469-00-00	..FLOAT, WATER LEVEL	1	
13	65L-24564-00-00	.O-RING	1	
14	65L-24558-00-00	.HOLDER, FILTER	1	
15	97095-06016-00	.BOLT	1	
16	92995-06100-00	.WASHER, SPRING	1	
17	90201-06068-00	.WASHER, PLATE	1	
18	67H-24566-00-00	.BRACKET, FILTER	1	
19	97095-06014-00	.BOLT	1	
20	92995-06600-00	.WASHER	1	
21	97095-06016-00	.BOLT	2	
22	92995-06600-00	.WASHER	2	
23	61A-24311-00-00	PIPE, FUEL 1	1	
24	61U-24316-00-00	PIPE 6	1	
25	6R5-24408-00-00	FUEL FEED ASSY	1	
26	90465-11M10-00	CLAMP	8	
27	6E5-24378-00-00	PIPE, JOINT 3	1	
28	90445-13M31-00	HOSE (L85)	1	
29	67H-24311-00-00	PIPE, FUEL 1	1	
30	6E5-24410-10-00	FUEL PUMP ASSY	2	
31	98503-05035-00	.SCREW, PAN HEAD	3	
32	92903-05600-00	.WASHER, PLATE	3	
33	6E5-24413-00-00	.BODY 2	1	
34	6E5-24471-00-00	.DIAPHRAGM	1	
35	6E5-24435-00-00	.GASKET, BODY 2	1	
36	6E5-24411-10-00	.DIAPHRAGM	1	
37	6E5-24436-00-00	.GASKET, BODY 3	1	
38	648-24424-00-00	.SEAT, SPRING	1	
39	6E5-24423-00-00	.SPRING, DIAPHRAGM	1	
40	6E5-24434-02-00	.GASKET, BODY	1	
41	6A0-24421-01-00	.VALVE, CHECK	4	
42	6A0-14325-00-00	.SCREW, PAN HEAD	4	
43	95380-03600-00	.NUT	4	
44	6E5-24412-10-00	.BODY 1	1	
45	650-24431-A0-00	GASKET, FUEL PUMP 1	2	
46	97095-06050-00	BOLT	4	
47	92995-06600-00	WASHER	4	
48	61U-24316-00-00	PIPE 6	1	
49	6E5-24313-00-00	PIPE 3	1	
50	90465-11M10-00	CLAMP	6	
51	6E5-24378-00-00	PIPE, JOINT 3	1	
52	6H1-83557-00-00	TUBE	1	
53	90446-15M07-00	HOSE (L60)	1	

54	90445-13M12-00	HOSE (L235)	1	
55	90465-08M33-00	CLAMP	1	
56	97095-06012-00	BOLT	1	
57	92995-06600-00	WASHER	1	

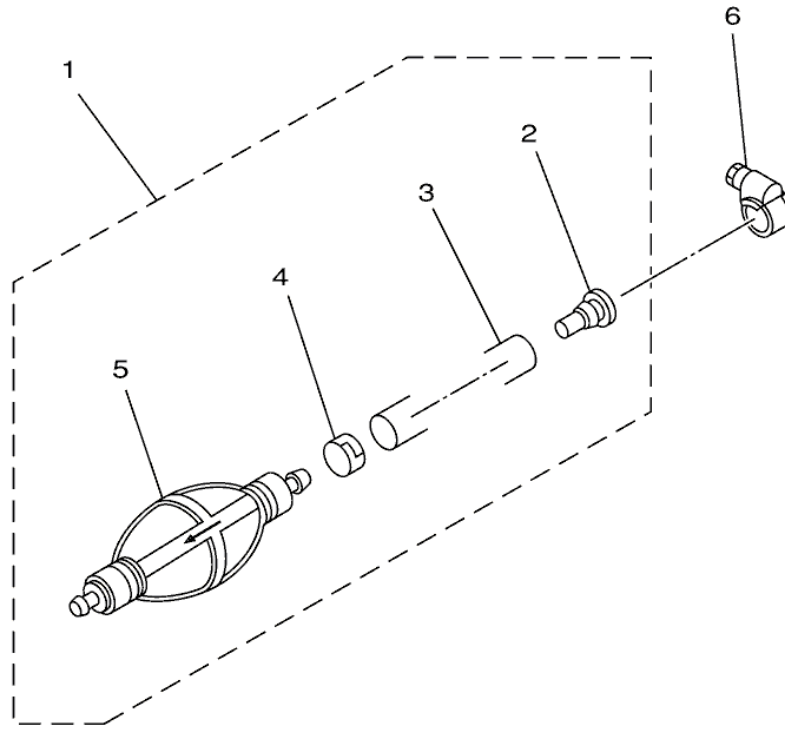
Part Notes

PX150TLRX 1999 / FUEL 1

PART NUMBER		NOTE TEXT
61A-24564-00-00		OEM: This part number is among the Top 100 Most Popular Marine Maintenance Parts as of August 2013.
65L-24563-00-00		OEM: This part number is among the Top 100 Most Popular Marine Maintenance Parts as of August 2013.
65L-24564-00-00		OEM: This part number is among the Top 100 Most Popular Marine Maintenance Parts as of August 2013.
92995-06100-00		OEM: This part number is among the Top 100 Most Popular Marine Maintenance Parts as of August 2013.
650-24431-A0-00		OEM: This part number is among the Top 100 Most Popular Marine Maintenance Parts as of August 2013.

©2013 Yamaha Motor Corporation, U.S.A. All rights reserved.

PX150TLRX 1999 / FUEL 2



67H0100-9100

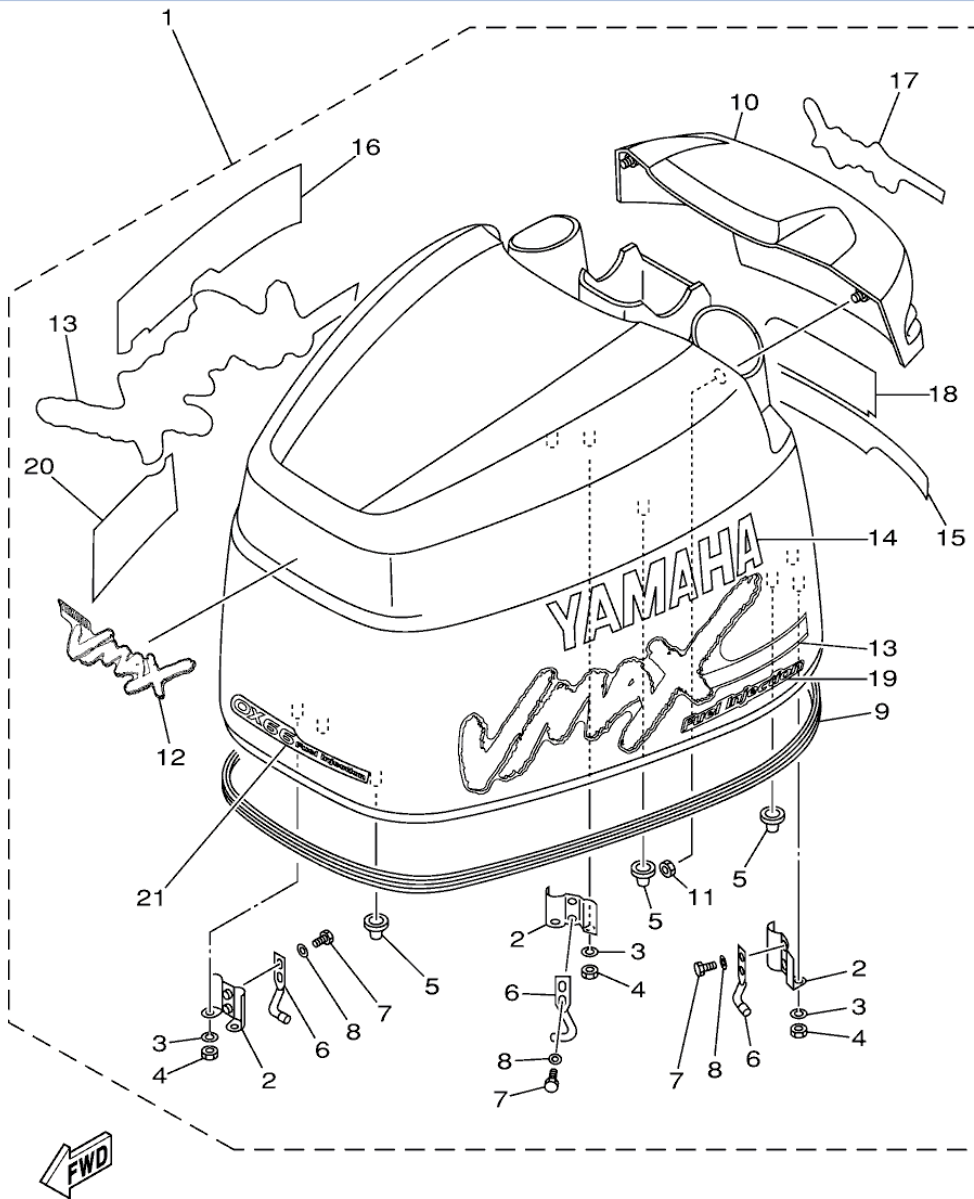
©2013 Yamaha Motor Corporation, U.S.A. All rights reserved.

Part List

PX150TLRX 1999 / FUEL 2

REF - NO	PART NUMBER	PART NAME	QUANTITY	REMARKS
1	6Y2-24307-40-00	FUEL PIPE COMP. 2	1	AP
2	90480-06M19-00	.GROMMET	1	
3	90445-13M01-00	.HOSE (L2050)	1	
4	6E5-24351-51-00	.BAND 1	1	
5	6Y2-24360-51-00	.PRIMER PUMP ASSY	1	
6	90450-10M07-00	HOSE CLAMP ASSY	1	AP

PX150TLRX 1999 / TOP COWLING



67M0100-9110

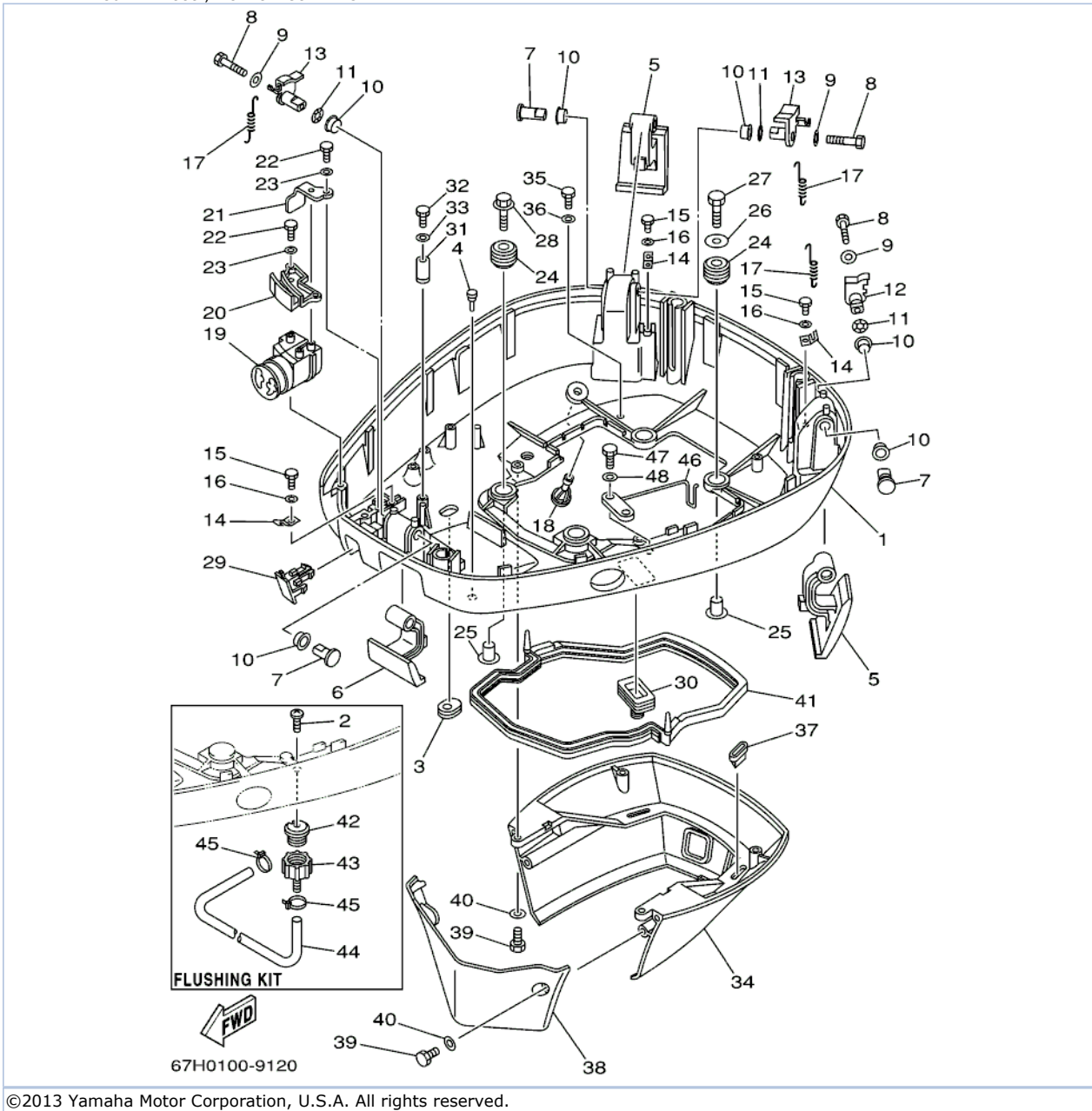
©2013 Yamaha Motor Corporation, U.S.A. All rights reserved.

Part List

PX150TLRX 1999 / TOP COWLING

REF - NO	PART NUMBER	PART NAME	QUANTITY	REMARKS
1	67M-42610-N0-NA	TOP COWLING ASSY	1	
2	6R3-42647-00-00	.HOLDER, CLAMP BAND	3	
3	92990-06100-00	.WASHER, SPRING	6	
4	95380-06600-00	.NUT, HEXAGON	6	
5	64D-42662-00-00	.DAMPER	3	
6	64D-42814-00-00	.HOOK, CLAMP	3	
7	97095-06012-00	.BOLT	6	
8	92995-06600-00	.WASHER	6	
9	64D-42615-00-00	.SEAL	1	
10	64L-42613-00-NA	.MOLDING, AIR DUCT	1	
11	90179-06M24-00	.NUT	4	
12	65N-42677-N0-00	.GRAPHIC, FRONT	1	
13	65N-W0070-N1-00	.GRAPHIC SET	1	
14	65N-42681-N0-00	.MARK, COWLING	1	
15	67M-4267A-N0-00	.GRAPHIC, REAR 2	1	
16	65N-42682-N0-00	.MARK, COWLING	1	
17	64L-42678-N0-00	.GRAPHIC, REAR	1	
18	67M-42683-N0-00	.MARK, COWLING	1	
19	67M-42681-N0-00	.MARK, COWLING	1	
20	67M-42682-N0-00	.MARK, COWLING	1	
21	67M-42677-N0-00	.GRAPHIC, FRONT	1	

PX150TLRX 1999 / BOTTOM COWLING



Part List

PX150TLRX 1999 / BOTTOM COWLING

REF - NO	PART NUMBER	PART NAME	QUANTITY	REMARKS
1	64D-42711-01-8D	COWLING, BOTTOM 1	1	
2	90169-05M00-00	SCREW, TRUSS HEAD TAPPING	1	FLUSHING KIT
3	61A-42727-00-00	GROMMET	1	
4	6H4-42748-00-00	GROMMET	1	
5	64D-42815-00-4D	LEVER, CLAMP	2	
6	64D-42816-00-4D	LEVER, CLAMP	1	
7	64D-42835-00-00	PIN, SET 1	3	
8	97095-06040-00	.BOLT	3	
9	90201-06068-00	WASHER, PLATE	3	
10	90386-15M73-00	BUSH	6	
11	90206-15M18-00	WASHER, WAVE	3	
12	64D-42818-20-00	LEVER, CLAMP	1	
13	64D-42818-30-00	LEVER, CLAMP	2	
14	64D-43144-00-00	HOOK, SPRING	3	
15	97090-06012-00	BOLT	3	
16	92990-06600-00	WASHER, PLATE	3	
17	90506-16M34-00	SPRING, TENSION	3	
18	6E5-44391-00-00	NIPPLE, HOSE	1	
19	64D-42725-20-00	GROMMET	1	
20	64D-42738-00-5B	PLATE, FITTING	1	
21	64D-42738-10-5B	PLATE, FITTING	1	
22	97095-06016-00	BOLT	3	
23	92995-06600-00	WASHER	3	
24	90480-22M15-00	GROMMET	4	
25	90387-08M37-00	COLLAR	4	
26	90201-08M54-00	WASHER, PLATE	1	
27	97075-08035-00	BOLT	1	
28	90119-08M22-00	BOLT, WITH WASHER	3	
29	67H-42723-00-00	COVER, BOTTOM	1	
30	688-42726-10-00	GROMMET	1	
31	6E5-82588-00-00	PLATE	1	
32	97095-06020-00	BOLT	1	
33	92995-06600-00	WASHER	1	
34	6R3-42741-02-8D	APRON	1	
35	97095-06020-00	BOLT	2	
36	92995-06600-00	WASHER	2	
37	64D-42717-00-00	RUBBER, SEAL 2	2	
38	6R3-42771-01-8D	APRON	1	
39	97095-06020-00	BOLT	4	
40	92995-06600-00	WASHER	4	
41	6E5-42716-10-00	RUBBER, SEAL 1	1	
42	6R3-12572-00-00	.ADAPTER	1	FLUSHING KIT
43	6R3-12580-00-00	.JOINT ASSY	1	FLUSHING KIT
44	90445-11M35-00	.HOSE (L540)	1	FLUSHING KIT
45	90465-11M10-00	CLAMP	2	FLUSHING KIT
46	6K7-82588-00-00	PLATE	1	
47	97095-06020-00	BOLT	1	
48	92995-06600-00	WASHER	1	

Part Notes

PX150TLRX 1999 / BOTTOM COWLING

PART NUMBER	NOTE TEXT

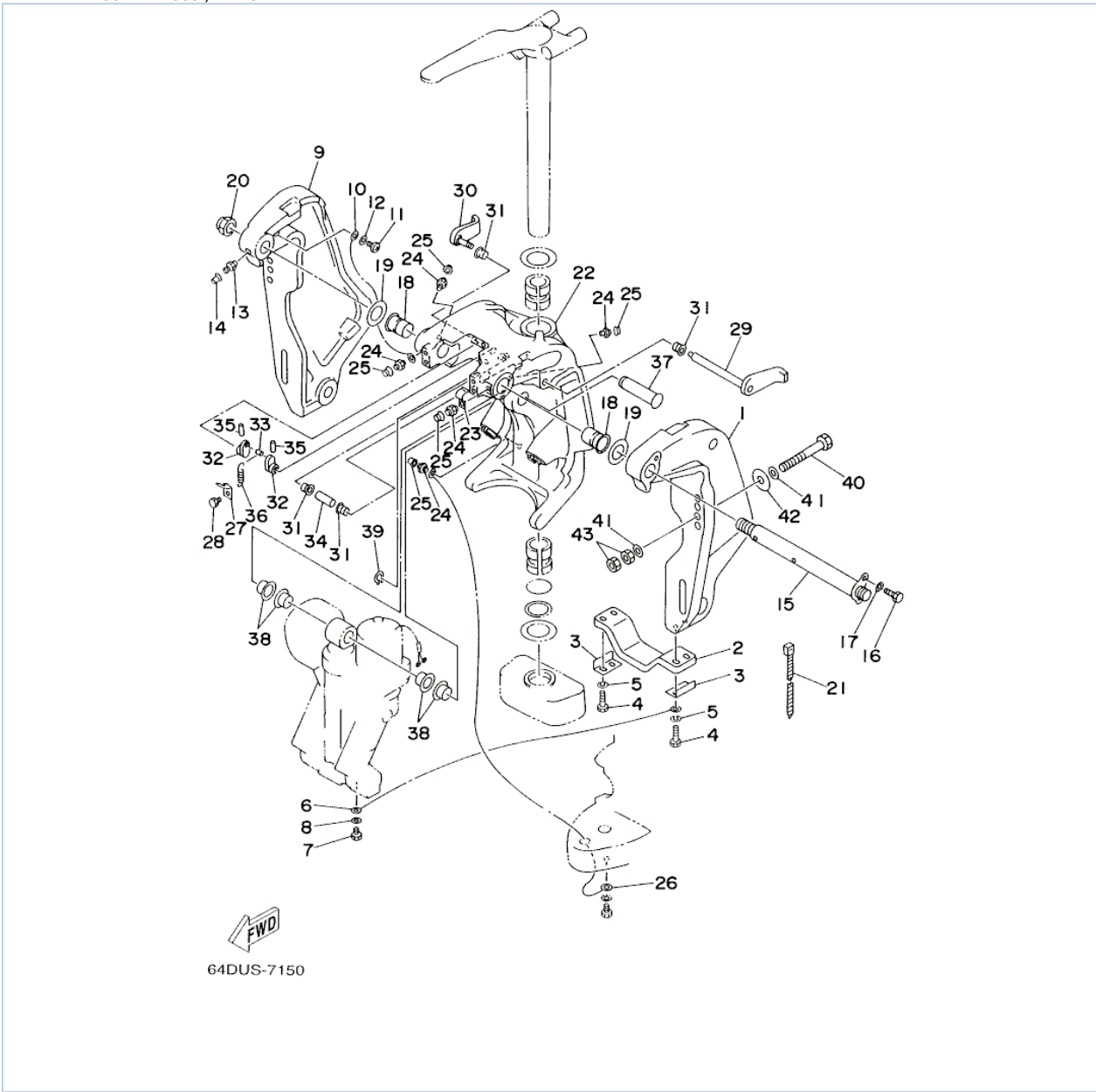
92990-06600-00



OEM: This part number is among the Top 100 Most Popular Marine Maintenance Parts as of August 2013.

©2013 Yamaha Motor Corporation, U.S.A. All rights reserved.

PX150TLRX 1999 / BRACKET 1



©2013 Yamaha Motor Corporation, U.S.A. All rights reserved.




Part List

PX150TLRX 1999 / BRACKET 1

REF - NO	PART NUMBER	PART NAME	QUANTITY	REMARKS
1	64E-43111-00-8D	BRACKET, CLAMP	1	
2	6G5-45251-01-00	ANODE	1	
3	6G5-44526-00-00	PLATE	2	
4	97095-06030-00	BOLT	4	
5	92995-06100-00	WASHER, SPRING	4	
6	6E5-82148-00-00	WIRE, LEAD 4	1	
7	97095-06010-00	BOLT	1	
8	92995-06600-00	WASHER	1	
9	64E-43112-00-8D	BRACKET, CLAMP	1	
10	6E5-82148-00-00	WIRE, LEAD 4	1	
11	97880-06012-00	SCREW, PAN HEAD	1	
12	92990-06600-00	WASHER, PLATE	1	
13	93700-06M03-00	NIPPLE, GREASE	1	
14	663-45119-00-00	CAP, GREASE NIPPLE	1	AP
15	64E-43131-01-00	BOLT, CLAMP BRACKET	1	
16	97095-08020-00	BOLT	1	
17	92995-08100-00	WASHER	1	
18	90386-25M31-00	BUSH	2	
19	90201-26M59-00	WASHER, PLATE	2	
20	90185-22M11-00	NUT, SELF-LOCKING	1	
21	90465-11M10-00	CLAMP	1	
22	64E-43311-10-8D	BRACKET, SWIVEL 1	1	
23	90465-08M63-00	CLAMP	1	
24	93700-06M03-00	NIPPLE, GREASE	5	
25	663-45119-00-00	CAP, GREASE NIPPLE	5	AP
26	6E5-82147-00-00	WIRE, LEAD 5	1	
27	6G5-43144-00-00	HOOK, SPRING	1	
28	97095-06010-00	BOLT	1	
29	6G5-43181-02-00	LEVER, TILT STOP 1	1	
30	6G5-43185-02-00	LEVER, TILT STOP 2	1	
31	90386-10M16-00	BUSH	4	
32	6G5-43148-00-00	COLLAR, DISTANCE	2	
33	90249-06M19-00	PIN	1	
34	90387-10M05-00	COLLAR	1	
35	91690-30020-00	PIN, SPRING	2	
36	90506-14M24-00	SPRING, TENSION	1	
37	64E-43126-00-00	PIN, UPPER SHOCK MOUNT	1	
38	90386-22M98-00	BUSH	4	
39	93410-22M11-00	CIRCLIP	1	
40	90101-12M77-00	BOLT (L:150MM)	4	AP
40	90101-12M05-00	BOLT (L:130MM)	4	
41	90201-13M01-00	WASHER, PLATE	8	
42	90201-12M05-00	WASHER, PLATE	4	
43	95380-12600-00	NUT	8	

Part Notes

PX150TLRX 1999 / BRACKET 1

PART NUMBER		NOTE TEXT
92995-06100-00		OEM: This part number is among the Top 100 Most Popular Marine Maintenance Parts as of August 2013.
92990-06600-00		OEM: This part number is among the Top 100 Most Popular Marine Maintenance Parts as of August 2013.
93700-06M03-00		OEM: This part number is among the Top 100 Most Popular Marine Maintenance Parts as of August 2013.

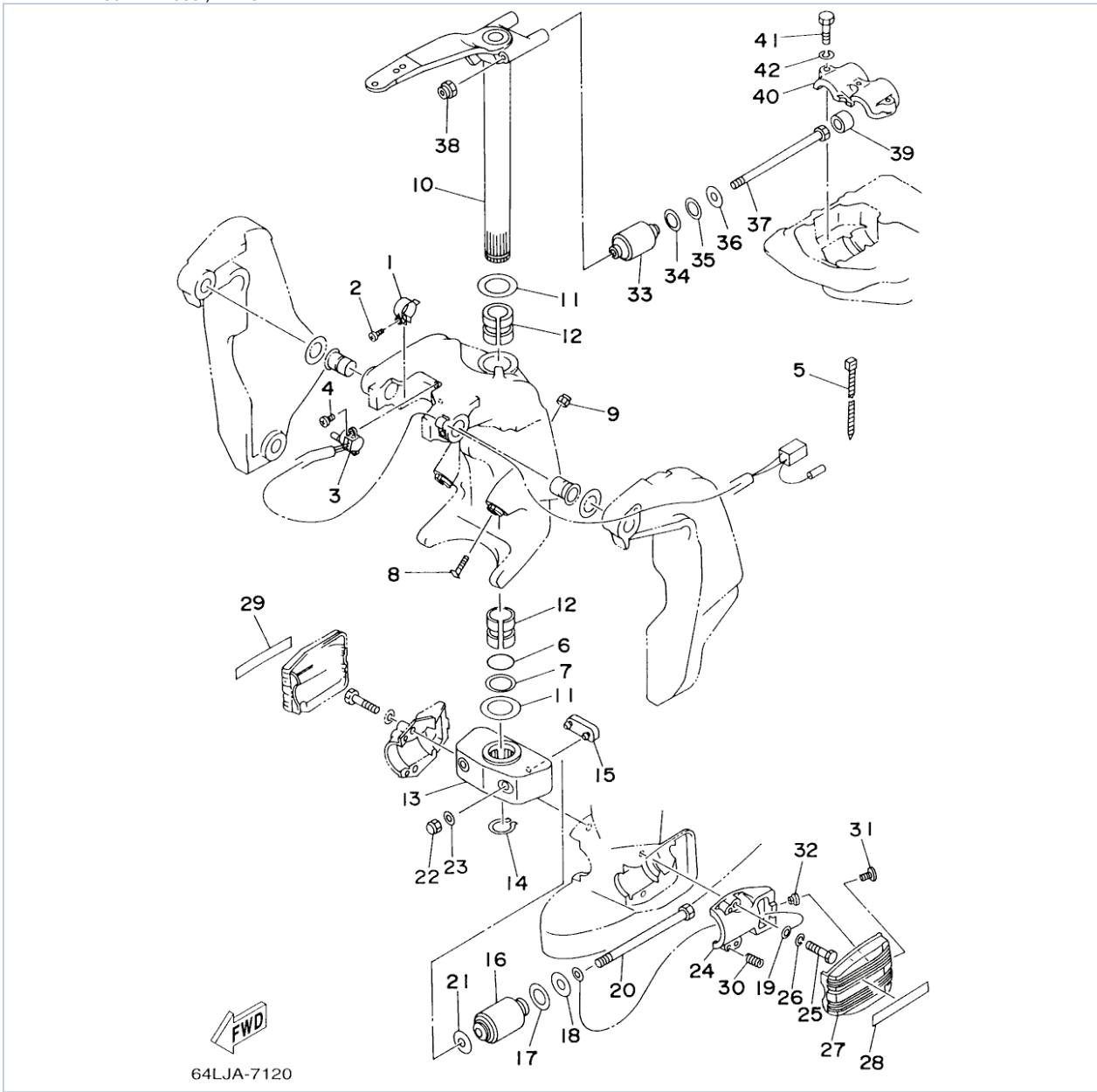
93700-06M03-00



OEM: This part number is among the Top 100 Most Popular Marine Maintenance Parts as of August 2013.

©2013 Yamaha Motor Corporation, U.S.A. All rights reserved.

PX150TLRX 1999 / BRACKET 2



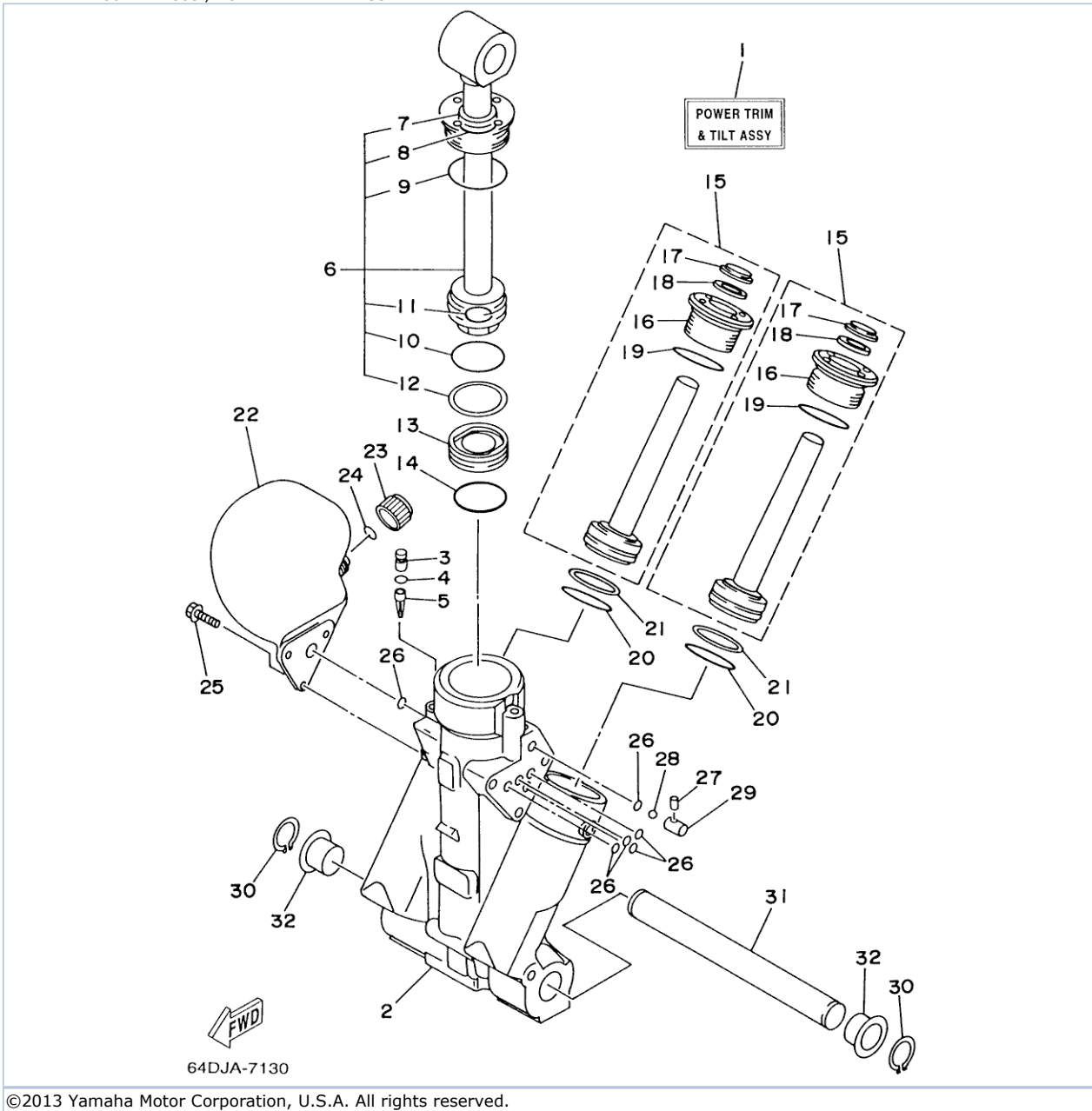
©2013 Yamaha Motor Corporation, U.S.A. All rights reserved.

Part List

PX150TLRX 1999 / BRACKET 2

REF - NO	PART NUMBER	PART NAME	QUANTITY	REMARKS
1	64E-43139-00-00	CAM, TRIM SENDER	1	
2	97780-60525-00	SCREW, TAPPING	1	
3	64E-83672-00-00	TRIM SENDER	1	
4	97885-06016-00	SCREW, PAN HEAD	2	
5	90465-11M10-00	CLAMP	3	
6	93210-37MH7-00	O-RING	1	
7	90202-40M47-00	WASHER, PLATE	1	
8	61A-43376-00-00	BOLT, THRUST RECEIVER	2	
9	95780-10300-00	NUT, FLANGE	2	
10	6E5-42510-A1-8D	STEERING BRACKET ASSY	1	
11	90201-38M60-00	WASHER, PLATE	2	
12	90386-38M32-00	BUSH	2	
13	6G5-44551-01-8D	HOUSING, LOWER MOUNT RUBBER	1	
14	93410-37M04-00	CIRCLIP	1	
15	6E5-44575-00-00	DAMPER, LOWER MOUNT RUBBER	1	
16	6J9-44555-00-94	MOUNT DAMPER, LOWER SIDE	2	
17	90202-32M19-00	WASHER, PLATE	2	
18	90201-16M55-00	WASHER, PLATE	2	
19	6E5-82149-00-00	WIRE, LEAD 3	1	
20	90109-14M34-00	BOLT	2	
21	90201-15M58-00	WASHER, PLATE	2	
22	95380-14800-00	NUT	2	
23	92995-14600-00	WASHER	2	
24	6E5-44552-01-94	HOUSING, LOWER MOUNT RUBBER	2	
25	97095-10045-00	BOLT	4	
26	92995-10100-00	WASHER	4	
27	6J9-44553-01-NA	COVER, LOWER MOUNT	2	
28	65N-43155-N0-00	MARK 1	1	
29	65N-43156-N0-00	MARK 2	1	
30	90501-16M28-00	SPRING, COMPRESSION	4	
31	90157-06M05-00	SCREW, PAN HEAD	2	
32	90179-06066-00	NUT	2	
33	6J9-44514-00-94	MOUNT DAMPER, UPPER SIDE	2	
34	90201-26M57-00	WASHER, PLATE	2	
35	90202-26M18-00	WASHER, PLATE	2	
36	90201-14M56-00	WASHER, PLATE	2	
37	90109-12M37-00	BOLT	2	
38	90185-12M12-00	NUT, SELF-LOCKING	2	
39	663-44575-00-00	DAMPER, LOWER MOUNT RUBBER	2	
40	6E5-44511-00-5B	COVER, UPPER MOUNT	1	
41	97095-10045-00	BOLT	3	
42	92995-10100-00	WASHER	3	

PX150TLRX 1999 / POWER TRIM TILT ASSEMBLY 1







Part List

PX150TLRX 1999 / POWER TRIM TILT ASSEMBLY 1

REF - NO	PART NUMBER	PART NAME	QUANTITY	REMARKS
1	67H-43800-00-4D	POWER TRIM & TILT ASSY	1	
2	64E-43825-00-00	HOUSING, TRIM & TILT	1	
3	64E-4388J-00-00	PLUG 2	1	
4	93210-10M74-00	O-RING	1	
5	64E-43817-00-00	FILTER 2	1	
6	64E-43810-00-00	TILT PISTON SUB ASSY	1	
7	64E-43898-00-00	.SEAL, DUST 2	1	
8	64E-43867-00-00	.O-RING	1	
9	64E-43866-00-00	.O-RING	1	
10	6E5-43862-00-00	.O-RING	1	
11	64E-43883-00-00	.O-RING	1	
12	6E5-43872-00-00	.RING, BACK UP	1	
13	6E5-43814-02-00	PISTON, FREE	1	
14	6E5-43862-00-00	O-RING	1	
15	64E-43820-00-00	PISTON SUB ASSEMBLY	2	
16	64E-43821-00-00	.SCREW, TRIM CYLINDER END	1	
17	64E-43822-00-00	.SEAL, TRIM DUST	1	
18	64E-4384J-00-00	.SEAL, TRIM DOWN	1	
19	6G5-43864-00-00	.O-RING	1	
20	6E5-43864-00-00	O-RING	2	
21	6E5-43874-01-00	RING, BACK UP	2	
22	64E-43828-00-00	BODY, RESERVOIR	1	
23	64E-43829-00-00	PLUG, RESERVOIR	1	
24	64E-43897-00-00	O-RING	1	
25	64E-4388E-00-00	BOLT ,SCREW (L:14MM)	3	
26	64E-43869-00-00	O-RING	6	
27	64E-4381G-00-00	PIN	1	
28	6E5-43858-00-00	BALL	1	
29	6E5-4382G-00-00	VALVE SEAT	1	
30	93410-22M11-00	CIRCLIP	2	
31	64E-43818-00-00	PIN, LOWER SHOCK MOUNT	1	
32	90386-22M98-00	BUSH	2	

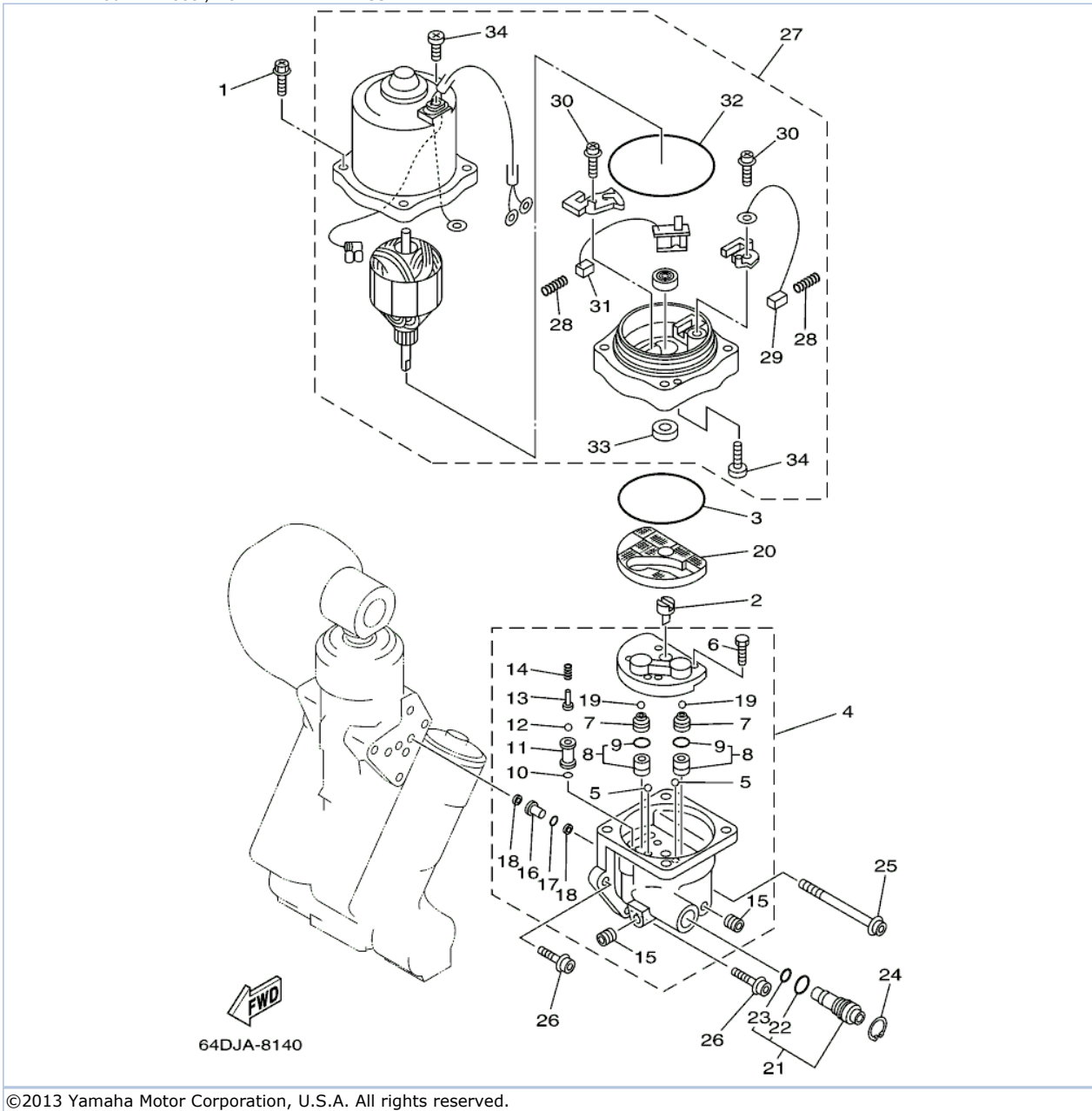
Part Notes

PX150TLRX 1999 / POWER TRIM TILT ASSEMBLY 1

PART NUMBER		NOTE TEXT
64E-43822-00-00		OEM: This part number is among the Top 100 Most Popular Marine Maintenance Parts as of August 2013.
64E-4384J-00-00		OEM: This part number is among the Top 100 Most Popular Marine Maintenance Parts as of August 2013.
6G5-43864-00-00		OEM: This part number is among the Top 100 Most Popular Marine Maintenance Parts as of August 2013.
64E-43869-00-00		OEM: This part number is among the Top 100 Most Popular Marine Maintenance Parts as of August 2013.

©2013 Yamaha Motor Corporation, U.S.A. All rights reserved.

PX150TLRX 1999 / POWER TRIM TILT ASSEMBLY 2

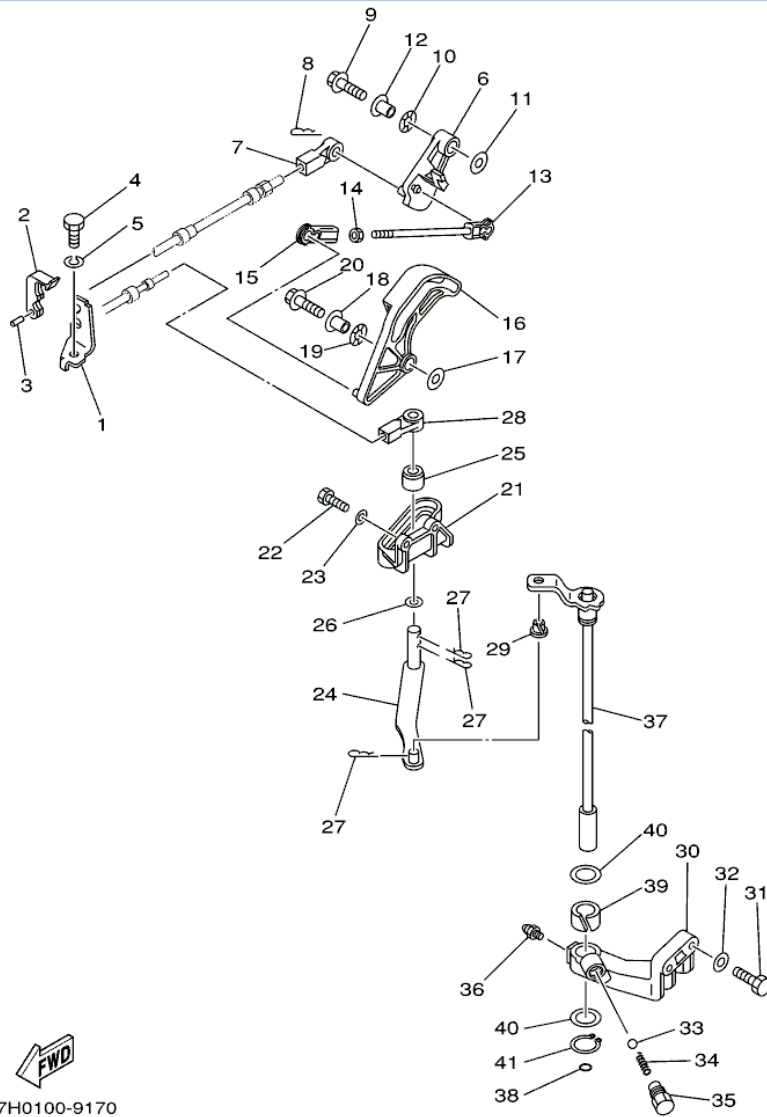


Part List

PX150TLRX 1999 / POWER TRIM TILT ASSEMBLY 2

REF - NO	PART NUMBER	PART NAME	QUANTITY	REMARKS
1	64E-4388E-00-00	BOLT ,SCREW (L:14MM)	4	
2	64E-43831-00-00	CONNECTOR, SHAFT	1	
3	64E-43868-00-00	O-RING	1	
4	64E-43830-00-00	GEAR PUMP ASSY	1	
5	72X-43858-00-00	.BALL	2	
6	64E-43843-00-00	.SCREW, VALVE LOCK	4	
7	64E-43841-00-00	.PISTON, SHUTTLE	2	
8	64E-43802-00-00	.VALVE SUB ASSY	2	
9	6E5-43896-00-00	..O-RING	1	
10	6G5-43863-00-00	.O-RING	1	
11	64E-43851-00-00	.SEAT, RELIEF VALVE	1	
12	64E-43858-00-00	.BALL	1	
13	64E-43859-00-00	.PIN, VALVE SUPPORT	1	
14	64E-43855-00-00	.SPRING, UP RELIEF	1	
15	6E5-43826-01-00	.PLUG, TAPER SCREW	2	
16	64E-43850-00-00	.VALVE SUB ASSY	1	
17	64E-43865-00-00	.O-RING	1	
18	64E-43816-00-00	.FILTER 1	2	
19	64E-43858-00-00	.BALL	2	
20	64E-43817-10-00	FILTER 2	1	
21	64E-43860-00-00	MANUAL VALVE SUB-ASSY	1	
22	72X-85075-L0-00	.O-RING	1	
23	64E-43862-00-00	.O-RING	1	
24	64E-43875-00-00	RING, SNAP	1	
25	64E-43879-10-00	SCREW, WITH WASHER	1	
26	64E-43879-00-00	SCREW, WITH WASHER	2	
27	67H-43880-00-00	MOTOR ASSY	1	
28	6H1-4386K-10-00	.SPRING, BRUSH	2	
29	64E-43891-00-00	.BRUSH 1	1	
30	98507-04010-00	.SCREW, PAN HEAD	2	
31	64E-43892-00-00	.BREAKER COMP (BRUSH 2)	1	
32	6G5-43865-00-00	.O-RING	1	
33	93102-08M43-00	.OIL SEAL	1	
34	64E-43843-10-00	.SCREW, VALVE LOCK	3	

PX150TLRX 1999 / CONTROL



67H0100-9170

©2013 Yamaha Motor Corporation, U.S.A. All rights reserved.


Part List

PX150TLRX 1999 / CONTROL

REF - NO	PART NUMBER	PART NAME	QUANTITY	REMARKS
1	67H-48531-00-00	BRACKET, REMOTE CONTROL 1	1	
2	663-48538-00-00	CLAMP, CABLE 1	1	
3	91690-30010-00	PIN, SPRING	1	
4	97095-08016-00	BOLT	1	
5	92995-08100-00	WASHER	1	
6	67H-41632-00-00	LEVER, MAGNETO CONTROL	1	
7	6E5-48344-00-00	CABLE END, REMOTE CONTROL	1	
8	90468-18008-00	CLIP	1	
9	97513-06530-00	BOLT W/WASHER (63M)	1	
10	90206-10M04-00	WASHER, WAVE	1	
11	90201-06M31-00	WASHER, PLATE	1	
12	90387-06M29-00	COLLAR	1	
13	61A-41237-00-00	JOINT, LINK	1	
14	95380-05600-00	NUT	1	
15	682-41237-00-00	JOINT, LINK	1	
16	67H-41213-00-00	CAM, ACCEL.	1	
17	90201-06M31-00	WASHER, PLATE	1	
18	90387-06M29-00	COLLAR	1	
19	90206-10M04-00	WASHER, WAVE	1	
20	97513-06530-00	BOLT W/WASHER (63M)	1	
21	6E5-44117-00-94	BRACKET	1	
22	97013-06020-00	BOLT	2	
23	92903-06600-00	WASHER, PLATE	2	
24	6E5-44121-01-00	LEVER, SHIFT ROD	1	
25	6E5-44122-00-00	BUSHING, SHIFT ROD LEVER	1	
26	90202-08M20-00	WASHER, PLATE	1	
27	90468-18008-00	CLIP	3	
28	6E5-48344-00-00	CABLE END, REMOTE CONTROL	1	
29	90386-06M12-00	BUSH	1	
30	6E5-44118-01-94	BRACKET	1	
31	97013-08030-00	BOLT	2	
32	92903-08600-00	WASHER, PLATE	2	
33	93501-04M02-00	BALL	1	
34	90501-12082-00	SPRING, COMPRESSION	1	
35	648-42715-00-00	BUSHING	1	
36	93700-06M03-00	NIPPLE, GREASE	1	
37	6E5-44120-03-00	HANDLE GEAR SHIFT ASSY	1	
38	93210-09165-00	O-RING	1	
39	90386-16M66-00	BUSH	1	
40	90202-16061-00	WASHER, PLATE	2	
41	93410-16006-00	CIRCLIP	1	

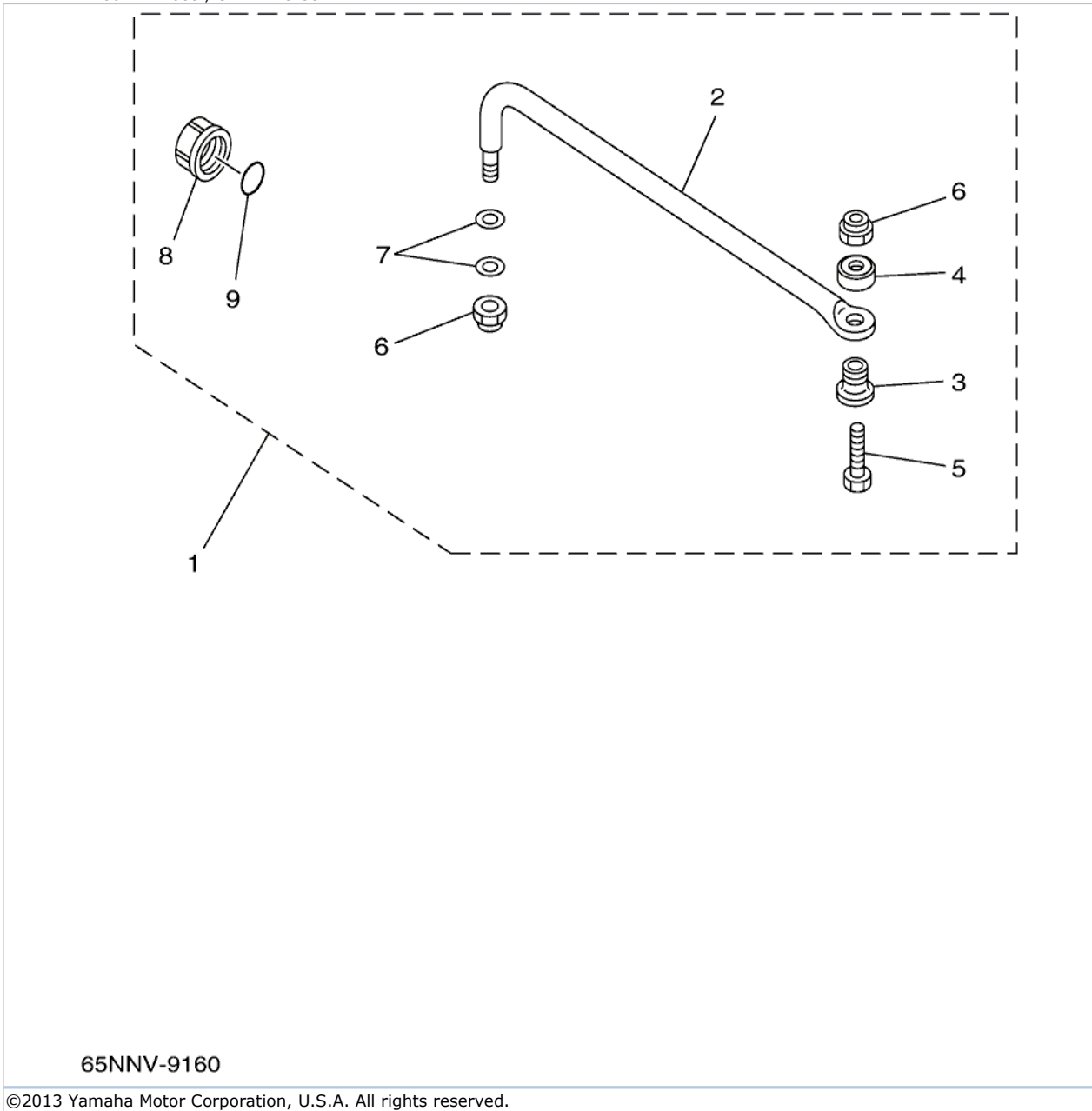
Part Notes

PX150TLRX 1999 / CONTROL

PART NUMBER	NOTE TEXT
93700-06M03-00 	OEM: This part number is among the Top 100 Most Popular Marine Maintenance Parts as of August 2013.

©2013 Yamaha Motor Corporation, U.S.A. All rights reserved.

PX150TLRX 1999 / STEERING GUIDE



65NNV-9160

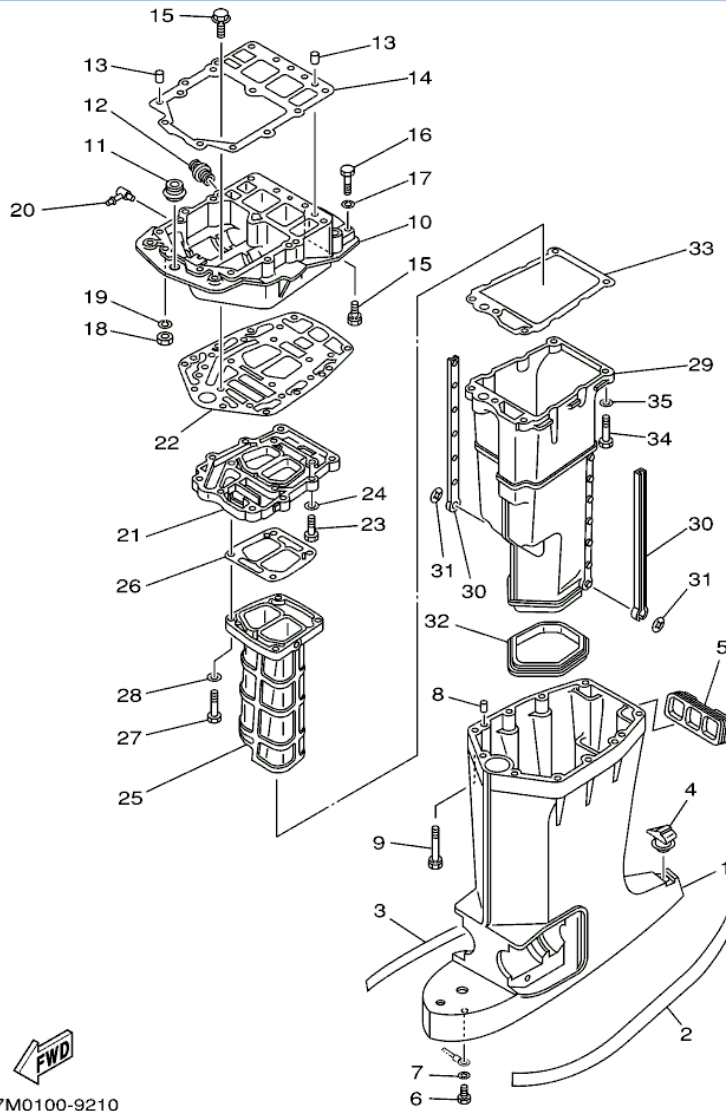
©2013 Yamaha Motor Corporation, U.S.A. All rights reserved.

Part List

PX150TLRX 1999 / STEERING GUIDE

REF - NO	PART NUMBER	PART NAME	QUANTITY	REMARKS
1	6E5-61350-02-00	STEERING GUIDE ATTACHMENT KIT	1	
2	6E5-61351-01-00	.ROD, STEERING LINK	1	
3	90387-10M61-00	.COLLAR	1	
4	90560-12M01-00	.SPACER	1	
5	6E5-61355-00-00	.BOLT	1	
6	90185-09M01-00	.NUT, SELF-LOCKING	2	
7	90201-10M20-00	.WASHER, PLATE	2	
8	6E5-43145-00-00	.CAP, CLAMP BRACKET	1	
9	93210-16275-00	.O-RING	1	

PX150TLRX 1999 / UPPER CASING



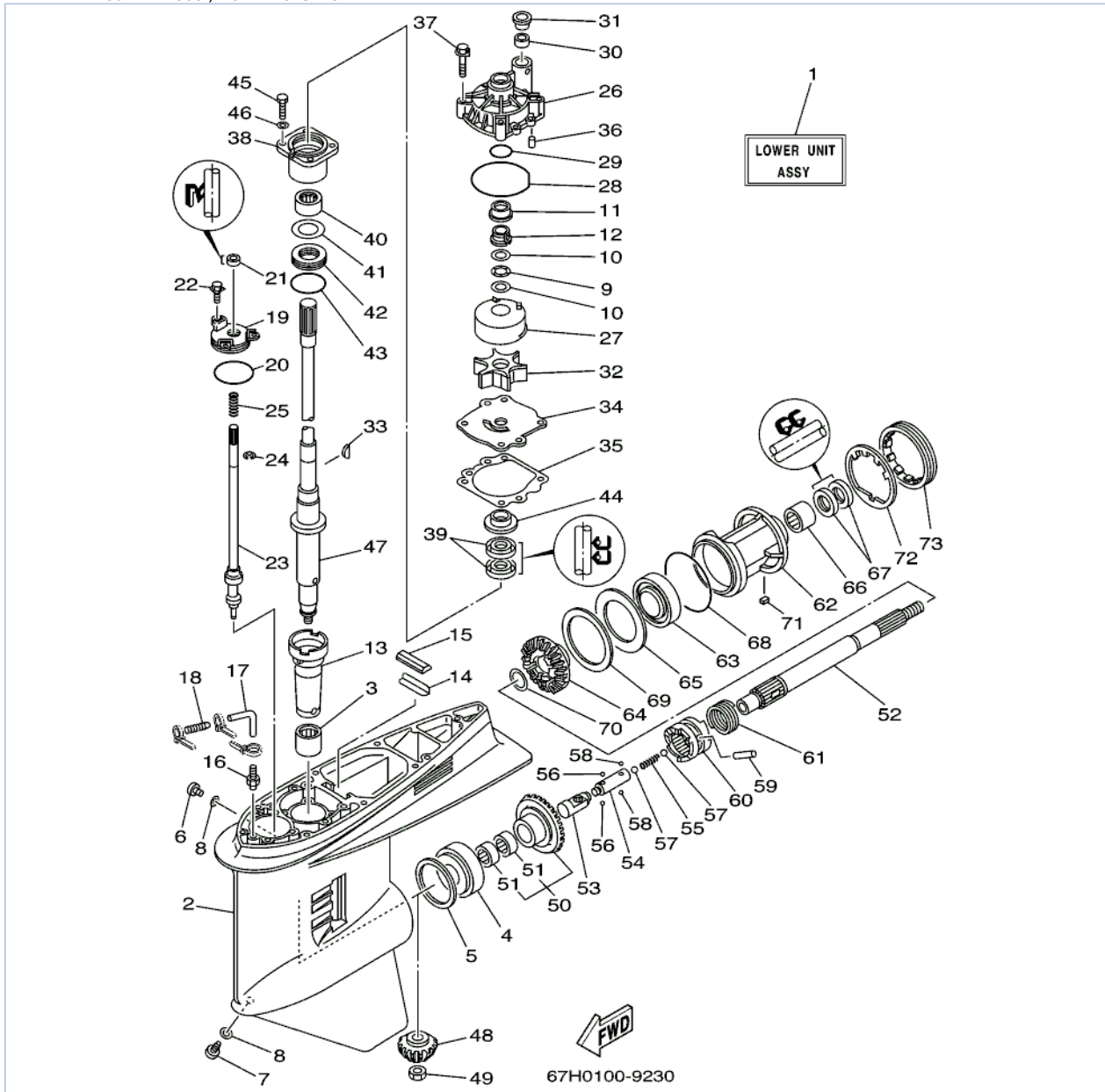
©2013 Yamaha Motor Corporation, U.S.A. All rights reserved.

Part List

PX150TLRX 1999 / UPPER CASING

REF - NO	PART NUMBER	PART NAME	QUANTITY	REMARKS
1	6E5-45111-02-8D	CASING, UPPER	1	
2	6N9-42791-40-00	MARK 1	1	
3	6N9-42792-40-00	MARK 2	1	
4	6E5-45155-00-00	CAP	1	
5	6E5-42769-00-00	SEAL, RUBBER	1	
6	97095-06010-00	BOLT	1	
7	92995-06600-00	WASHER	1	
8	93608-12M05-00	PIN, DOWEL	2	
9	90119-08M78-00	BOLT, WITH WASHER	6	
10	6G5-41137-11-94	GUIDE, EXHAUST	1	FLUSHING KIT
11	6E5-42724-00-00	GROMMET	1	
12	6G5-12581-00-00	JOINT, HOSE 1	1	
13	93608-12M05-00	PIN, DOWEL	2	
14	6G5-45113-A1-00	.GASKET, UPPER CASING	1	
15	90119-08M79-00	BOLT, WITH WASHER	6	
16	97095-08045-00	.BOLT	2	
17	92995-08100-00	WASHER	2	
18	95380-08700-00	NUT	2	
19	92995-08100-00	WASHER	2	
20	6H1-11372-00-00	.NIPPLE, HOSE	1	FLUSHING KIT
21	6G5-41131-01-5B	MANIFOLD, EXT. 1	1	
22	6G5-45114-A0-00	GASKET, UPPER CASING	1	
23	97095-08030-00	BOLT	4	
24	92995-08600-00	WASHER	4	
25	64D-41132-00-5B	MANIFOLD, EXHAUST	1	
26	6G5-41134-A0-00	.GASKET, EXHAUST MANIFOLD	1	
27	97095-08045-00	.BOLT	4	
28	92995-08600-00	WASHER	4	
29	6E5-14711-01-5B	MUFFLER 1	1	
30	6E5-14737-00-00	DAMPER, MUFFLER	2	
31	90183-05M02-00	NUT, SPRING	2	
32	6E5-45123-00-00	.GASKET, MUFFLER	1	
33	6E5-41135-A0-00	.GASKET, EXHAUST MANIFOLD	1	
34	97095-08045-00	.BOLT	5	
35	92995-08600-00	WASHER	5	

PX150TLRX 1999 / LOWER CASING DRIVE 1



©2013 Yamaha Motor Corporation, U.S.A. All rights reserved.

Part List










PX150TLRX 1999 / LOWER CASING DRIVE 1

REF - NO	PART NUMBER	PART NAME	QUANTITY	REMARKS
1	64K-45300-01-NA	LOWER UNIT ASSY	1	
2	6J9-45301-04-NA	CASING, LOWER	1	
3	93311-928U5-00	BEARING	1	
4	93332-000V3-00	BEARING	1	
5	6G5-45567-01-30	SHIM (T:0.30MM)	1	UR
5	6G5-45567-01-12	SHIM (T:0.12MM)	1	UR
5	6G5-45567-01-50	SHIM (T:0.50MM)	1	UR
5	6G5-45567-01-40	SHIM (T:0.40MM)	1	UR
5	6G5-45567-01-18	SHIM (T:0.18MM)	1	UR
5	6G5-45567-01-10	SHIM (T:0.10MM)	1	UR
5	6G5-45567-01-15	SHIM (T:0.15MM)	1	UR
6	90340-08M04-00	PLUG, STRAIGHT SCREW	1	
7	688-45341-00-00	PLUG, DRAIN	1	
8	90430-08020-00	.GASKET	2	
9	90206-22M19-00	WASHER, WAVE	1	
10	90201-22M01-00	WASHER, PLATE	2	
11	61A-45527-00-00	COLLAR, DRIVE SHAFT	1	
12	61A-45538-00-00	SPACER 1	1	
13	6G5-45536-01-00	SLEEVE, DRIVE SHAFT	1	
14	663-45376-00-94	GUIDE, SEAL DAMPER	1	
15	688-45375-00-00	DAMPER, SEAL	1	
16	6E5-45378-00-00	NIPPLE, HOSE	1	
17	90445-07ME8-00	HOSE (L80)	1	
18	6E5-83558-10-00	END, NIPPLE	1	
19	6E5-45321-00-00	PLATE	1	
20	93210-58144-00	.O-RING	1	
21	93106-09014-00	.OIL SEAL	1	
22	90119-06M10-00	BOLT, WITH WASHER	3	
23	6G5-44150-01-00	SHIFT CAM ASSY	1	
24	93430-08006-00	CIRCLIP	1	
25	90501-11M10-00	SPRING, COMPRESSION	1	
26	61A-44311-01-00	HOUSING, WATER PUMP	1	
27	61A-44322-01-00	INSERT, CARTRIDGE	1	
28	93210-86M38-00	.O-RING	1	
29	93210-37160-00	.O-RING	1	
30	6E5-44365-00-00	DAMPER, WATER SEAL 1	1	
31	6E5-44312-00-00	COVER, WATER PUMP HOUSING	1	
32	6E5-44352-01-00	.IMPELLER	1	
33	90280-04M05-00	.KEY, WOODRUFF	1	
34	6G5-44323-00-00	.OUTER PLATE, CARTRIDGE	1	
35	6E5-44315-A0-00	.GASKET, WATER PUMP	1	
36	93606-12019-00	.PIN, DOWEL	2	
37	90119-08M14-00	.BOLT, WITH WASHER	4	
38	6E5-45331-00-94	HOUSING, BEARING	1	
39	93101-28M16-00	.OIL SEAL	2	
40	93317-330U2-00	BEARING	1	
41	6E5-45587-01-12	SHIM (T:0.12MM)	1	UR
41	6E5-45587-01-30	SHIM (T:0.30MM)	1	UR
41	6E5-45587-01-50	SHIM (T:0.50MM)	1	UR
41	6E5-45587-01-10	SHIM (T:0.10MM)	1	UR
41	6E5-45587-01-15	SHIM (T:0.15MM)	1	UR
41	6E5-45587-01-18	SHIM (T:0.18MM)	1	UR
41	6E5-45587-01-40	SHIM (T:0.40MM)	1	UR

42	93341-930V2-00	BEARING	1	
43	93210-55M14-00	.O-RING	1	
44	6E5-45344-00-00	COVER, OIL SEAL	1	
45	97095-08025-00	BOLT	4	
46	92995-08600-00	WASHER	4	
47	6G5-45501-01-00	DRIVE SHAFT COMP.	1	
48	6J9-45551-01-00	PINION (14T)	1	
49	90170-16M01-00	NUT	1	
50	6J9-45560-03-00	GEAR 1 (28T)	1	
51	93315-425V3-00	.BEARING	2	
52	6J9-45611-01-00	SHAFT, PROPELLER	1	
53	6E5-45641-01-00	SHIFTER	1	
54	6E5-45634-01-00	SLIDE, SHIFT	1	
55	90501-16M37-00	SPRING, COMPRESSION	1	
56	93507-32009-00	.BALL	2	
57	93511-32017-00	BALL	2	
58	93503-16003-00	BALL	2	
59	90250-08M07-00	PIN, STRAIGHT	1	
60	6G5-45631-10-00	CLUTCH, DOG	1	
61	6E5-45633-01-00	RING, CROSS PIN	1	
62	6J9-45332-00-94	HOUSING, BEARING	1	
63	93306-209U0-00	BEARING	1	
64	6J9-45571-02-00	GEAR 2 (28T)	1	
65	6G5-45576-00-00	WASHER, THRUST	1	
66	93315-430U8-00	BEARING	1	
67	93101-30M17-00	.OIL SEAL	2	
68	93210-97M55-00	.O-RING	1	
69	6G5-45577-02-12	SHIM (T:0.12MM)	1	UR
69	6G5-45577-02-30	SHIM (T:0.30MM)	1	UR
69	6G5-45577-02-50	SHIM (T:0.50MM)	1	UR
69	6G5-45577-02-10	SHIM (T:0.10MM)	1	UR
69	6G5-45577-02-15	SHIM (T:0.15MM)	1	UR
69	6G5-45577-02-18	SHIM (T:0.18MM)	1	UR
69	6G5-45577-02-40	SHIM (T:0.40MM)	1	UR
70	90201-30M92-00	WASHER, PLATE	1	
71	90282-04M00-00	KEY, STRAIGHT	1	
72	6G5-45383-01-00	WASHER, CLAW	1	
73	6G5-45384-00-00	NUT	1	

Part Notes

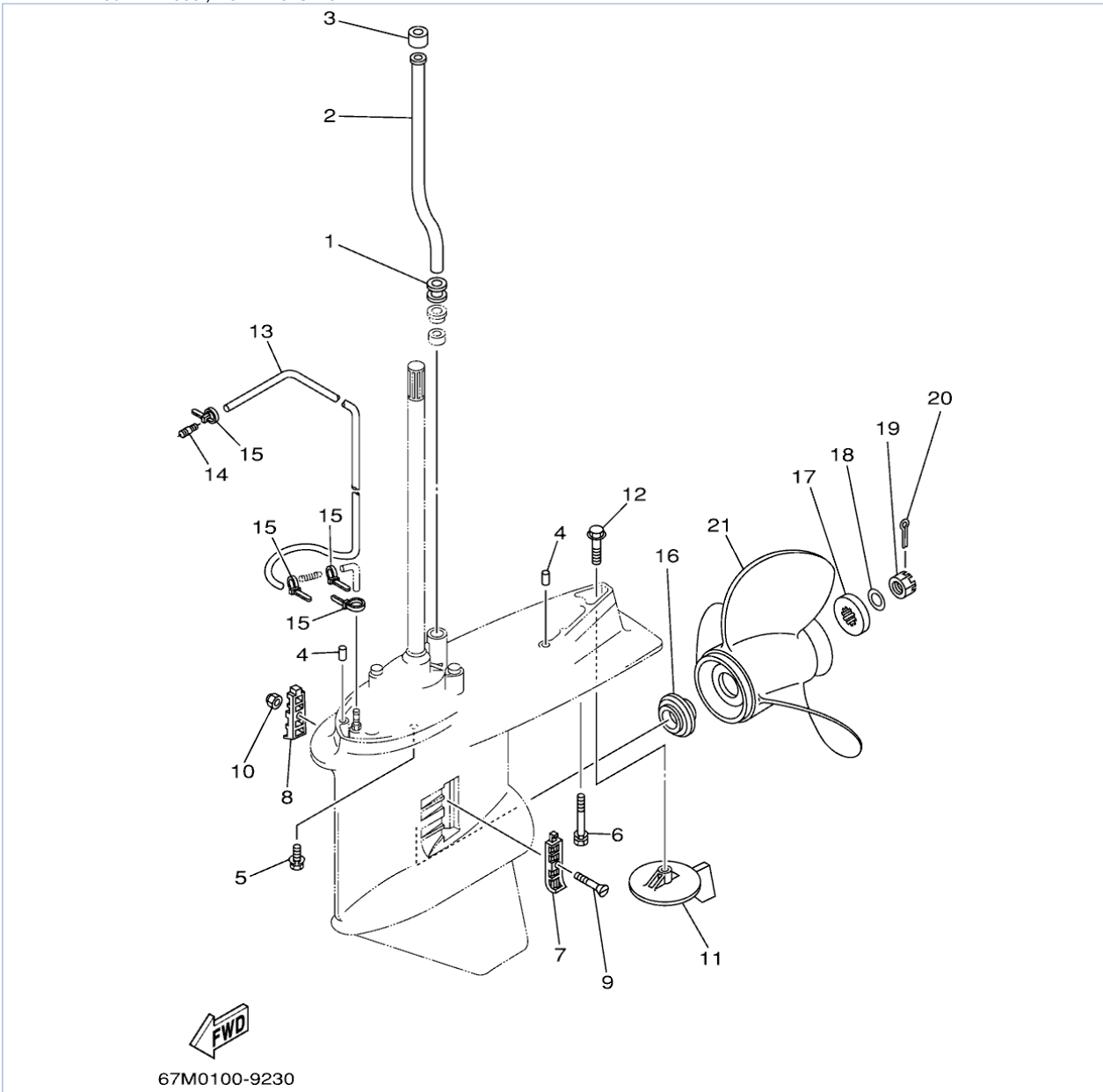
PX150TLRX 1999 / LOWER CASING DRIVE 1

PART NUMBER		NOTE TEXT
90430-08020-00		OEM: This part number is among the Top 100 Most Popular Marine Maintenance Parts as of August 2013.
90201-22M01-00		OEM: This part number is among the Top 100 Most Popular Marine Maintenance Parts as of August 2013.
61A-45527-00-00		OEM: This part number is among the Top 100 Most Popular Marine Maintenance Parts as of August 2013.
61A-45538-00-00		OEM: This part number is among the Top 100 Most Popular Marine Maintenance Parts as of August 2013.
93106-09014-00		OEM: This part number is among the Top 100 Most Popular Marine Maintenance Parts as of August 2013.
61A-44311-01-00		OEM: This part number is among the Top 100 Most Popular Marine Maintenance Parts as of August 2013.
93210-86M38-00		OEM: This part number is among the Top 100 Most Popular Marine Maintenance Parts as of August 2013.
6E5-44352-01-00		OEM: This part number is among the Top 100 Most Popular Marine Maintenance Parts as of August 2013.
93101-28M16-00		OEM: This part number is among the Top 100 Most Popular Marine Maintenance Parts as of August 2013.
93101-30M17-00		OEM: This part number is among the Top 100 Most Popular Marine Maintenance Parts as of August 2013.



©2013 Yamaha Motor Corporation, U.S.A. All rights reserved.

PX150TLRX 1999 / LOWER CASING DRIVE 2



©2013 Yamaha Motor Corporation, U.S.A. All rights reserved.




Part List

PX150TLRX 1999 / LOWER CASING DRIVE 2

REF - NO	PART NUMBER	PART NAME	QUANTITY	REMARKS
1	6E5-44366-00-00	DAMPER, WATER SEAL 2	1	
2	6E5-44361-00-00	TUBE, WATER 1	1	
3	6E5-44365-00-00	DAMPER, WATER SEAL 1	1	
4	93608-12M05-00	PIN, DOWEL	2	
5	90101-10M70-00	BOLT	6	
6	90119-10M89-00	BOLT, WITH WASHER	1	
7	6J9-45214-00-00	COVER, WATER INLET 1	1	
8	6J9-45215-00-00	COVER, WATER INLET 2	1	
9	90142-05M04-00	SCREW	1	
10	90185-05002-00	NUT, NYLON	1	
11	6J9-45371-01-00	TAB-TRIM	1	
12	90105-10M00-00	BOLT, FLANGE	1	
13	90445-07M33-00	HOSE (L1080)	1	
14	6E5-83558-00-00	END, NIPPLE	1	
15	90465-11M10-00	CLAMP	4	
16	6E5-45987-01-00	SPACER 1	1	
17	688-45997-01-00	SPACER 2	1	
18	92990-18200-00	WASHER	1	
19	90171-18M04-00	NUT, CASTLE	1	
20	91490-40030-00	PIN. COTTER	1	
21	6J9-45970-02-00	PROPELLER (3X14-1/2"X25"-M)	1	UR
21	6J9-45976-00-00	PROPELLER (3X14-1/2"X21"-M)	1	UR
21	6J9-45974-01-00	PROPELLER (3X14-1/2"X27"-M)	1	UR
21	6J9-45972-02-00	PROPELLER (3X14-1/2"X23"-M)	1	UR

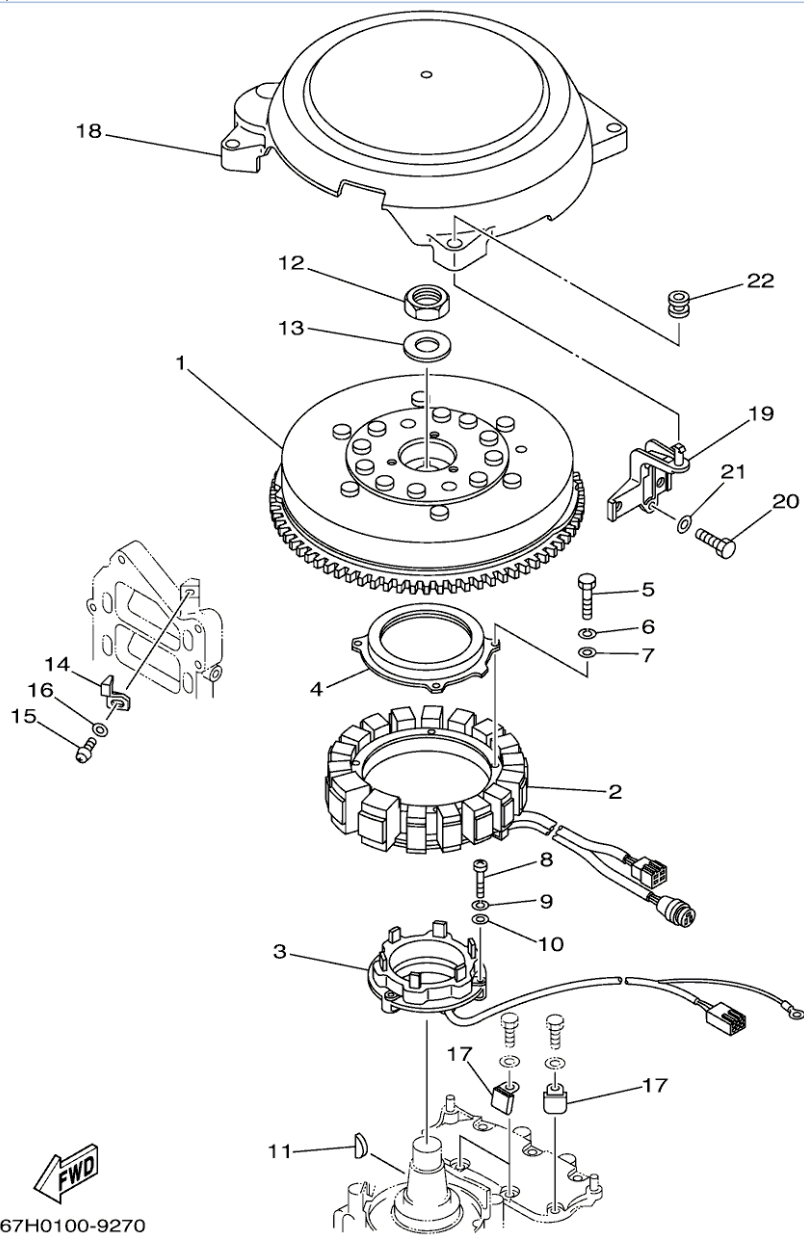
Part Notes

PX150TLRX 1999 / LOWER CASING DRIVE 2

PART NUMBER	NOTE TEXT
6J9-45371-01-00 	OEM: This part number is among the Top 100 Most Popular Marine Maintenance Parts as of August 2013.
90105-10M00-00 	OEM: This part number is among the Top 100 Most Popular Marine Maintenance Parts as of August 2013.
91490-40030-00 	OEM: This part number is among the Top 100 Most Popular Marine Maintenance Parts as of August 2013.

©2013 Yamaha Motor Corporation, U.S.A. All rights reserved.

PX150TLRX 1999 / GENERATOR



67H0100-9270

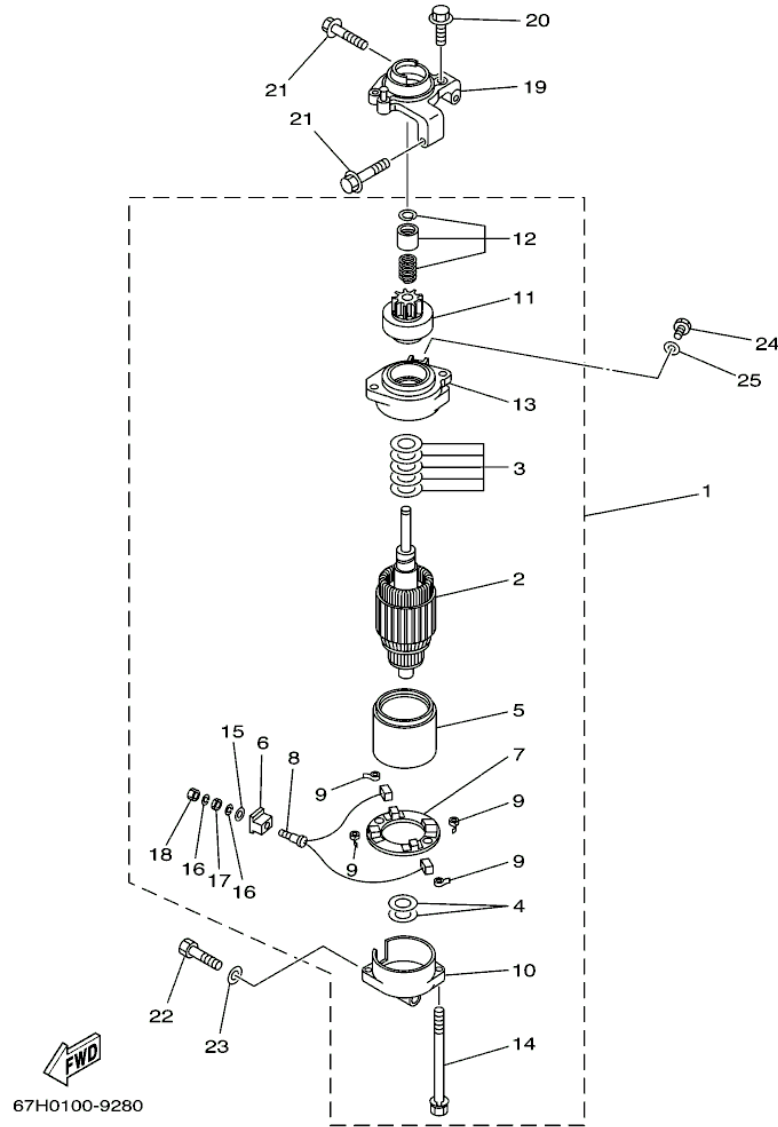
©2013 Yamaha Motor Corporation, U.S.A. All rights reserved.

Part List

PX150TLRX 1999 / GENERATOR

REF - NO	PART NUMBER	PART NAME	QUANTITY	REMARKS
1	67H-85550-00-00	ROTOR ASSY	1	
2	61A-85510-02-00	STATOR ASSY	1	
3	61A-85580-01-00	COIL, PULSER	1	
4	61A-83721-00-00	COVER	1	
5	97013-06035-00	BOLT	4	
6	92903-06100-00	WASHER, SPRING	4	
7	92903-06600-00	WASHER, PLATE	4	
8	97885-05030-00	SCREW, PAN HEAD	3	
9	92995-05100-00	WASHER	3	
10	92995-05600-00	WASHER	3	
11	90280-05015-00	KEY, WOODRUFF	1	
12	90170-24M22-00	NUT	1	
13	90201-25M02-00	WASHER, PLATE	1	
14	6E5-81332-00-00	PLATE, TIMING	1	
15	97885-06010-00	SCREW, PAN HEAD	1	
16	92995-06600-00	WASHER	1	
17	90465-06M84-00	CLAMP	3	
18	67H-81337-00-00	COVER, FLYWHEEL	1	
19	65L-81338-00-94	CLAMP, LEAD	1	
20	97013-06025-00	BOLT	1	
21	92903-06600-00	WASHER, PLATE	1	
22	663-82317-01-00	DAMPER, IGNITION COIL	4	

PX150TLRX 1999 / STARTING MOTOR



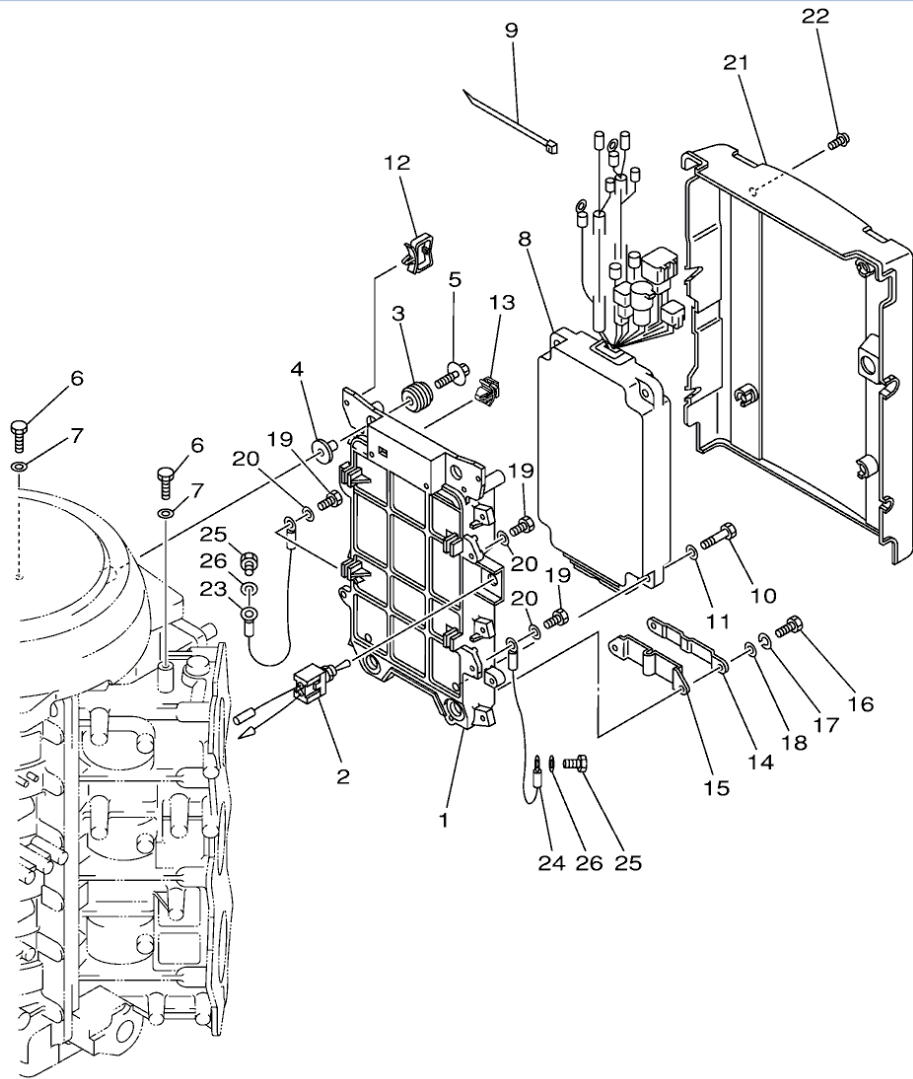
©2013 Yamaha Motor Corporation, U.S.A. All rights reserved.

Part List

PX150TLRX 1999 / STARTING MOTOR

REF - NO	PART NUMBER	PART NAME	QUANTITY	REMARKS
1	6N7-81800-10-00	STARTING MOTOR ASSY	1	
2	6N7-81850-10-00	.ARMATURE ASSY	1	
3	61A-81809-00-00	.WASHER KIT	1	
4	61A-81824-00-00	.WASHER 2	2	
5	6N7-81810-00-00	.STATOR ASSY	1	
6	6K7-8182G-10-00	.BUSH, TERMINAL	1	
7	6N7-81840-00-00	.BRUSH HOLDER ASSY	1	
8	6N7-81801-00-00	.BRUSH SET	1	
9	6N7-81813-00-00	.SPRING, BRUSH	4	
10	6N7-81820-10-00	.REAR BRACKET ASSY	1	
11	6N7-81807-00-00	.GEAR ASSY, STARTING MOTOR	1	
12	6N7-81857-00-00	.RETAINER	1	
13	6N7-81830-00-00	.FRONT BRACKET ASSY	1	
14	6K7-81826-10-00	.BOLT	2	
15	6E5-8182E-10-00	.WASHER	1	
16	6E5-8182F-10-00	.WASHER	2	
17	6E5-8182A-10-00	.NUT	1	
18	6E5-8182K-10-00	.NUT	1	
19	67H-81822-00-94	BRACKET, STARTING MOTOR	1	
20	90119-08M76-00	BOLT, WITH WASHER	2	
21	90119-08M77-00	BOLT, WITH WASHER	2	
22	90119-08M57-00	BOLT, WITH WASHER	1	
23	92990-08600-00	.WASHER, PLATE	1	
24	97095-08016-00	BOLT	1	
25	92995-08600-00	WASHER	1	

PX150TLRX 1999 / ELECTRICAL 1



67H0100-9290

©2013 Yamaha Motor Corporation, U.S.A. All rights reserved.


Part List

PX150TLRX 1999 / ELECTRICAL 1

REF - NO	PART NUMBER	PART NAME	QUANTITY	REMARKS
1	67H-85542-00-94	BRACKET	1	
2	6R3-8259E-00-00	SWITCH ASSY	1	
3	90480-09M12-00	GROMMET	4	
4	90387-06M03-00	COLLAR	4	
5	90119-06M28-00	BOLT, WITH WASHER	4	
6	97095-06016-00	BOLT	2	
7	92995-06600-00	WASHER	2	
8	67M-85540-00-00	C.D.I. UNIT ASSY	1	
9	90465-13M18-00	CLAMP	1	
10	97013-06025-00	BOLT	4	
11	92903-06600-00	WASHER, PLATE	4	
12	90464-23199-00	CLAMP	2	
13	90464-09M47-00	CLAMP	1	
14	61A-85525-00-00	COVER	1	
15	61A-85548-00-00	HOLDER	1	
16	97095-06016-00	BOLT	2	
17	92995-06100-00	WASHER, SPRING	2	
18	92995-06600-00	WASHER	2	
19	97095-06012-00	BOLT	4	
20	92995-06600-00	WASHER	4	
21	67H-85537-00-00	COVER	1	
22	90159-06M03-00	SCREW, WITH WASHER	4	
23	61A-82519-00-00	WIRE, EARTH LEAD	1	
24	6R3-82519-00-00	WIRE, EARTH LEAD	1	
25	97095-06012-00	BOLT	2	
26	92995-06600-00	WASHER	2	

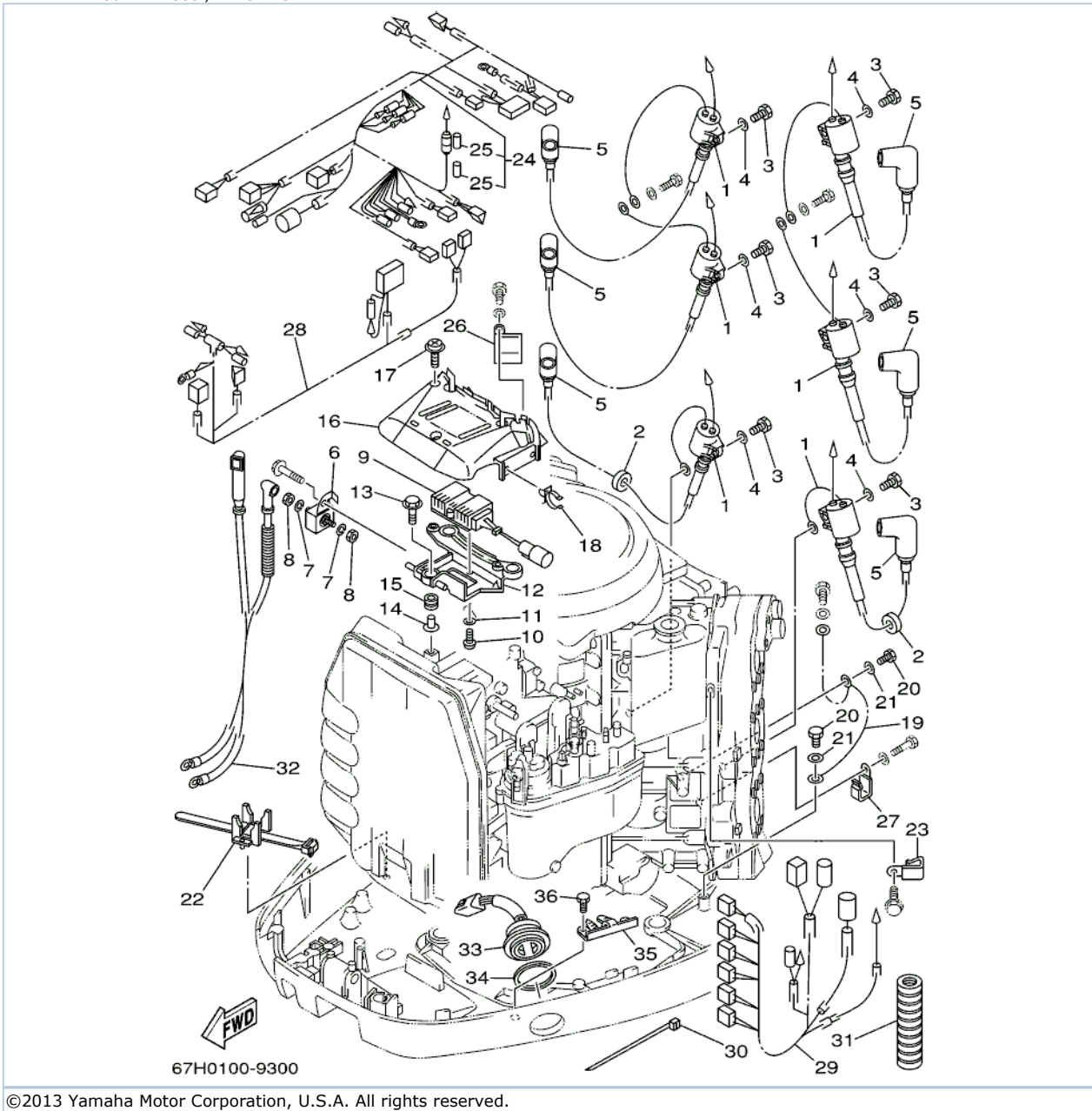
Part Notes

PX150TLRX 1999 / ELECTRICAL 1

PART NUMBER	NOTE TEXT
92995-06100-00 	OEM: This part number is among the Top 100 Most Popular Marine Maintenance Parts as of August 2013.

©2013 Yamaha Motor Corporation, U.S.A. All rights reserved.

PX150TLRX 1999 / ELECTRICAL 2

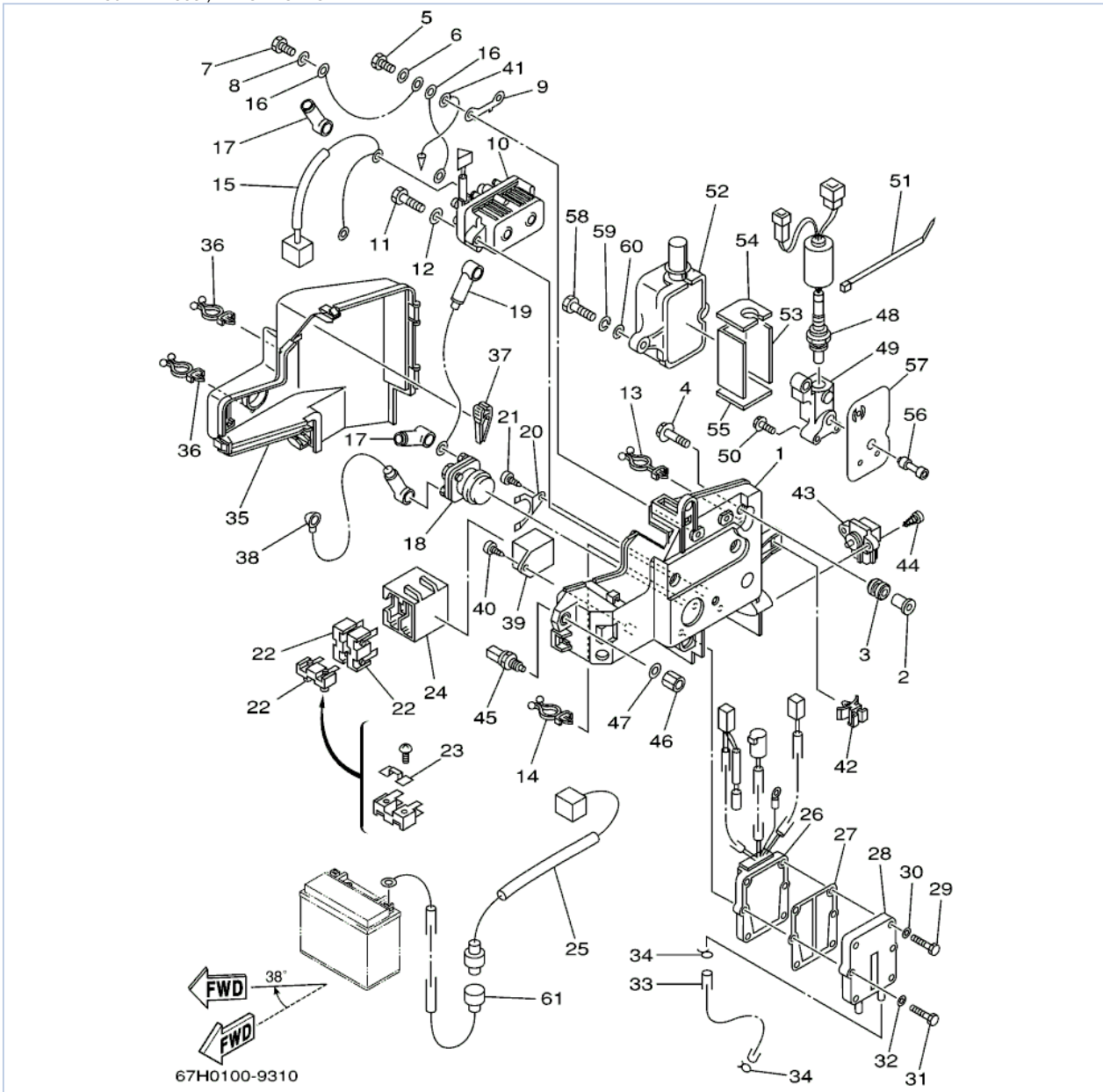


Part List

PX150TLRX 1999 / ELECTRICAL 2

REF - NO	PART NUMBER	PART NAME	QUANTITY	REMARKS
1	61A-85570-00-00	IGNITION COIL ASSY	6	
2	90480-25161-00	GROMMET	2	
3	97013-06020-00	BOLT	6	
4	92903-06600-00	WASHER, PLATE	6	
5	6E3-82370-20-00	PLUG CAP ASSY	6	
6	67H-81925-00-00	TERMINAL	1	
7	92990-06100-00	WASHER, SPRING	2	
8	95380-06700-00	NUT	2	
9	65L-85370-00-00	RESISTOR ASSY	1	
10	97885-05010-00	.SCREW, PAN HEAD	2	
11	92995-05600-00	WASHER	2	
12	65L-81915-00-94	PLATE, REGULATOR FITTING	1	
13	90119-06M65-00	BOLT, WITH WASHER	3	
14	90387-06M60-00	COLLAR	3	
15	90480-10M23-00	GROMMET	3	
16	65L-81916-00-00	COVER, TERMINAL	1	
17	90159-06M03-00	SCREW, WITH WASHER	2	
18	90464-19M45-00	CLAMP	2	
19	6E5-82531-00-00	WIRE, LEAD	1	
20	97095-06012-00	BOLT	2	
21	92995-06600-00	WASHER	2	
22	688-82594-00-00	CLAMP	1	
23	90465-08M33-00	CLAMP	1	
24	67H-82590-00-00	WIRE HARNESS ASSY	1	
25	67F-82151-10-00	.FUSE (30A)	2	
26	90465-10M14-00	CLAMP	1	
27	90465-08M33-00	CLAMP	1	
28	67H-8259M-00-00	WIRE HARNESS ASSY 2	1	
29	67H-8259N-00-00	WIRE HARNESS ASSY 3	1	
30	90465-13M18-00	CLAMP	1	
31	67H-83557-00-00	TUBE	1	
32	67H-82105-00-00	WIRE HARNESS	1	
33	6R3-82563-00-00	TRIM & TILT SWITCH ASSY	1	
34	6E5-82587-00-00	GASKET	1	
35	6R3-83614-00-00	BRACKET	1	
36	97095-06012-00	BOLT	2	

PX150TLRX 1999 / ELECTRICAL 3



©2013 Yamaha Motor Corporation, U.S.A. All rights reserved.

Part List


PX150TLRX 1999 / ELECTRICAL 3

REF - NO	PART NUMBER	PART NAME	QUANTITY	REMARKS
1	67H-81948-00-00	BRACKET	1	
2	624-42542-00-00	PIPE	5	
3	6A0-82317-00-00	DAMPER, IGNITION COIL	5	
4	90119-06M65-00	BOLT, WITH WASHER	5	
5	97095-06012-00	BOLT	2	
6	92995-06600-00	WASHER	2	
7	97095-06012-00	BOLT	1	
8	92995-06600-00	WASHER	1	
9	61A-87149-00-00	CONNECTOR	1	
10	61A-81950-00-00	RELAY ASSY	1	
11	97013-06030-00	BOLT	2	
12	92903-06600-00	WASHER, PLATE	2	
13	90464-18M46-00	CLAMP	1	
14	90464-15M27-00	CLAMP	1	
15	61A-81949-10-00	WIRE, LEAD	1	
16	61A-81949-00-00	WIRE, LEAD	2	
17	6G5-82119-00-00	COVER, LEAD WIRE	2	
18	61A-81941-00-00	STARTER RELAY ASSY	1	
19	67H-82117-10-00	WIRE, LEAD	1	
20	61A-81952-00-00	HOLDER, RELAY	1	
21	97780-50612-00	SCREW, TAPPING	1	
22	61A-82150-00-00	FUSE HOLDER ASSY	3	
23	61A-82151-00-00	.FUSE (12V-80A)	1	
24	61A-82153-00-00	STAY, FUSE HOLDER	1	
25	67H-81949-10-00	WIRE, LEAD	1	
26	67H-81960-00-00	RECTIFIER & REGULATOR ASSY	1	
27	61A-81975-A0-00	PLATE, RECTIFIER FITTING	1	
28	61A-81972-00-9M	COVER, RECTIFIER	1	
29	97013-06025-00	BOLT	4	
30	92903-06600-00	WASHER, PLATE	4	
31	97013-06030-00	BOLT	2	
32	92903-06600-00	WASHER, PLATE	2	
33	90445-09105-00	HOSE (L300)	1	
34	90467-08004-00	CLIP	2	
35	67H-81942-00-00	COVER	1	
36	90464-15M27-00	CLAMP	2	
37	67F-2812A-00-00	.PULLER, FUSE	1	
38	67H-82117-00-00	WIRE, LEAD	1	
39	65L-81950-00-00	RELAY ASSY	1	
40	97780-60625-00	SCREW, TAPPING	1	
41	66K-82519-00-00	WIRE, EARTH LEAD	1	
42	90464-09M47-00	CLAMP	1	
43	67H-82380-00-00	SENSOR, PRESSURE	1	
44	97780-60625-00	SCREW, TAPPING	2	
45	65L-85886-00-00	THERMOSENSOR	1	
46	90170-12M36-00	NUT	1	
47	90201-12M34-00	.WASHER, PLATE	1	
48	67H-8592A-00-00	SENSOR	1	
49	65L-11395-00-00	HOLDER	1	
50	90119-06M74-00	BOLT, WITH WASHER	3	
51	90465-13M18-00	CLAMP	1	
52	65L-85832-00-00	CASE, UNDER	1	
53	65L-11354-00-00	GASKET	1	

54	65L-1131N-00-00	GASKET, HOLDER	1	
55	65L-11396-00-00	GASKET, HOLDER	1	
56	65L-11353-00-00	JOINT	1	
57	65L-11357-00-00	SEAL, CYLINDER 3	1	
58	97095-06030-00	BOLT	2	
59	92995-06100-00	WASHER, SPRING	2	
60	92995-06600-00	WASHER	2	
61	67H-81949-00-00	WIRE, LEAD	1	AP 2.7M

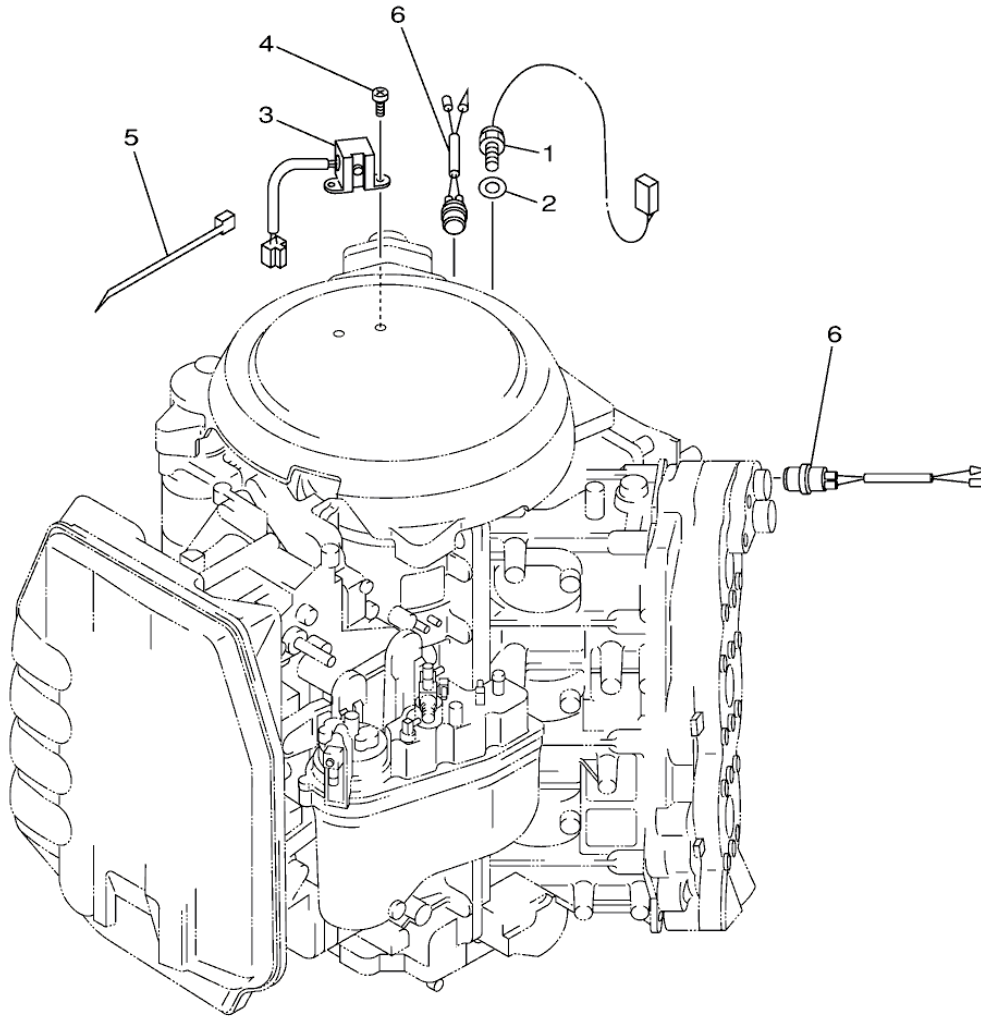
Part Notes

PX150TLRX 1999 / ELECTRICAL 3

PART NUMBER		NOTE TEXT
92995-06100-00		OEM: This part number is among the Top 100 Most Popular Marine Maintenance Parts as of August 2013.

©2013 Yamaha Motor Corporation, U.S.A. All rights reserved.

PX150TLRX 1999 / ELECTRICAL 4



67H0100-9320

©2013 Yamaha Motor Corporation, U.S.A. All rights reserved.


Part List

PX150TLRX 1999 / ELECTRICAL 4

REF - NO	PART NUMBER	PART NAME	QUANTITY	REMARKS
1	61A-85790-00-00	THERMOSENSOR ASSY	1	
2	92990-10600-00	WASHER, PLATE	1	
3	61A-85895-00-00	CRANK POSITION SENDER	1	
4	97885-05012-00	SCREW, PAN HEAD	2	
5	90465-13M18-00	CLAMP	1	
6	688-82560-10-00	THERMO SWITCH ASSY	2	

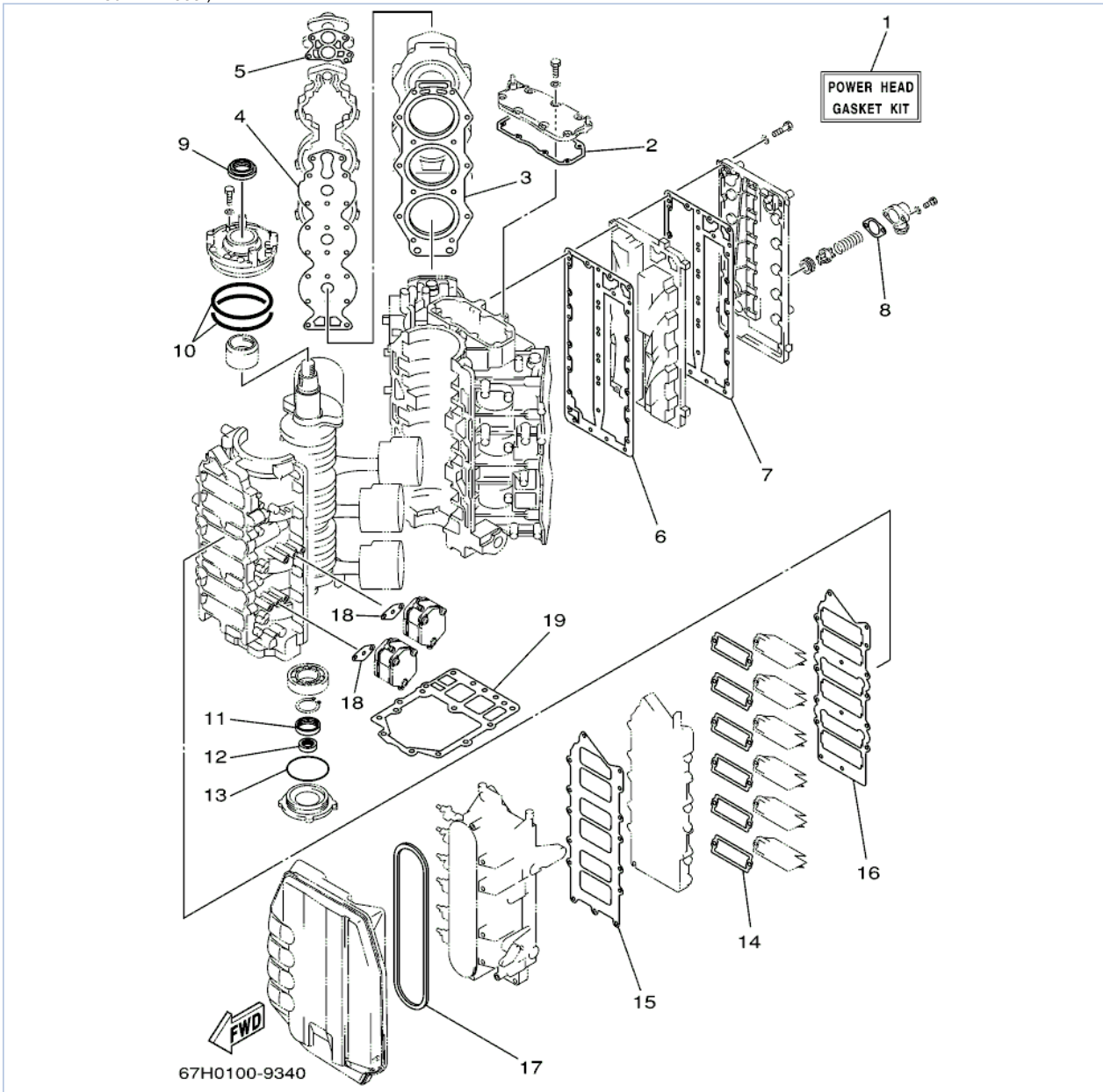
Part Notes

PX150TLRX 1999 / ELECTRICAL 4

PART NUMBER	NOTE TEXT
92990-10600-00 	OEM: This part number is among the Top 100 Most Popular Marine Maintenance Parts as of August 2013.

©2013 Yamaha Motor Corporation, U.S.A. All rights reserved.

PX150TLRX 1999 / REPAIR KIT 1



©2013 Yamaha Motor Corporation, U.S.A. All rights reserved.



Part List

PX150TLRX 1999 / REPAIR KIT 1

REF - NO	PART NUMBER	PART NAME	QUANTITY	REMARKS
1	67H-W0001-00-00	POWER HEAD GASKET KIT	1	
2	6E5-11381-A2-00	.GASKET 1	1	
3	6G5-11181-A1-00	.GASKET, CYLINDER HEAD 1	2	
4	6G5-11193-A0-00	.GASKET, HEAD COVER 1	2	
5	688-12414-A1-00	.GASKET, COVER	2	
6	6G5-41112-A1-00	.GASKET, EXHAUST INNER COVER	1	
7	6G5-41114-A0-00	.GASKET, EXHAUST OUTER COVER	1	
8	6G5-11382-A1-00	.GASKET 2	1	
9	93102-40M14-00	.OIL SEAL	1	
10	93211-04M36-00	.O-RING	2	
11	93102-35M13-00	.OIL SEAL	1	
12	93101-22M15-00	.OIL SEAL	1	
13	93210-74M35-00	.O-RING	1	
14	61A-13621-A0-00	.GASKET, VALVE SEAT	6	
15	65L-13646-00-00	.GASKET, MANIFOLD 2	1	
16	65L-13645-00-00	.GASKET, MANIFOLD 1	1	
17	65L-14483-00-00	.GASKET	1	
18	650-24431-A0-00	.GASKET, FUEL PUMP 1	2	
19	6G5-45113-A1-00	.GASKET, UPPER CASING	1	

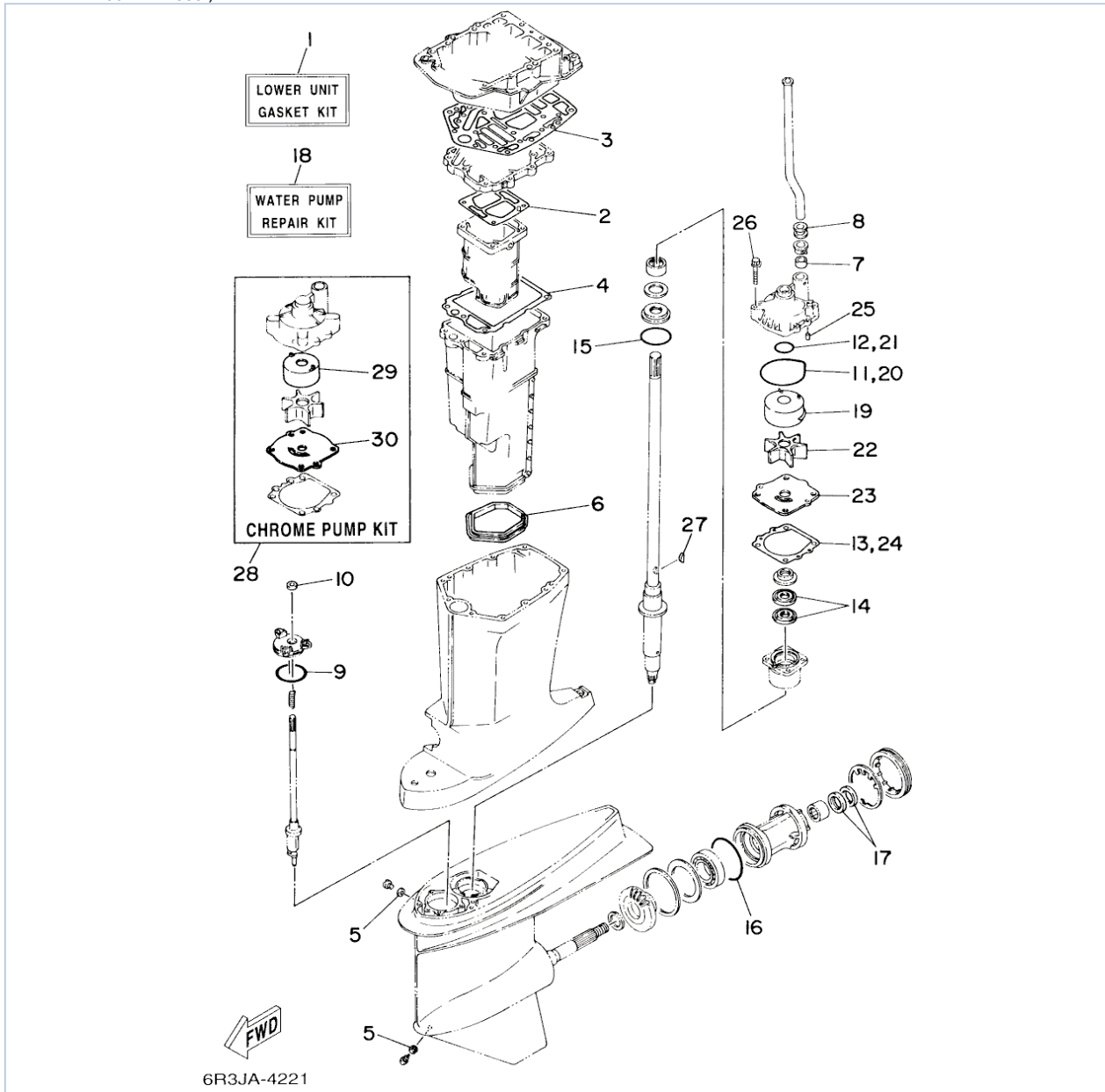
Part Notes

PX150TLRX 1999 / REPAIR KIT 1

PART NUMBER	NOTE TEXT
688-12414-A1-00 	OEM: This part number is among the Top 100 Most Popular Marine Maintenance Parts as of August 2013.
650-24431-A0-00 	OEM: This part number is among the Top 100 Most Popular Marine Maintenance Parts as of August 2013.

©2013 Yamaha Motor Corporation, U.S.A. All rights reserved.

PX150TLRX 1999 / REPAIR KIT 2



©2013 Yamaha Motor Corporation, U.S.A. All rights reserved.








Part List

PX150TLRX 1999 / REPAIR KIT 2

REF - NO	PART NUMBER	PART NAME	QUANTITY	REMARKS
1	6G5-W0001-C1-00	LOWER UNIT GASKET KIT	1	
2	6G5-41134-A0-00	.GASKET, EXHAUST MANIFOLD	1	
3	6G5-45114-A0-00	.GASKET, UPPER CASING	1	
4	6E5-41135-A0-00	.GASKET, EXHAUST MANIFOLD	1	
5	90430-08020-00	.GASKET	2	
6	6E5-45123-00-00	.GASKET, MUFFLER	1	
7	6E5-44365-00-00	.DAMPER, WATER SEAL 1	1	
8	6E5-44366-00-00	.DAMPER, WATER SEAL 2	1	
9	93210-58144-00	.O-RING	1	
10	93106-09014-00	.OIL SEAL	1	
11	93210-86M38-00	.O-RING	1	
12	93210-37160-00	.O-RING	1	
13	6E5-44315-A0-00	.GASKET, WATER PUMP	1	
14	93101-28M16-00	.OIL SEAL	2	
15	93210-55M14-00	.O-RING	1	
16	93210-97M55-00	.O-RING	1	
17	93101-30M17-00	.OIL SEAL	2	
18	61A-W0078-A2-00	WATER PUMP REPAIR KIT	1	
19	61A-44322-01-00	.INSERT, CARTRIDGE	1	
20	93210-86M38-00	.O-RING	1	
21	93210-37160-00	.O-RING	1	
22	6E5-44352-01-00	.IMPELLER	1	
23	6G5-44323-00-00	.OUTER PLATE, CARTRIDGE	1	
24	6E5-44315-A0-00	.GASKET, WATER PUMP	1	
25	93606-12019-00	.PIN, DOWEL	2	
26	90119-08M14-00	.BOLT, WITH WASHER	4	
27	90280-04M05-00	.KEY, WOODRUFF	1	
28	61A-W0078-1A-00	CHROME PUMP KIT	1	
29	6R3-44322-41-00	.INSERT, CARTRIDGE	1	
30	6G5-44323-40-00	.OUTER PLATE, CARTRIDGE	1	

Part Notes

PX150TLRX 1999 / REPAIR KIT 2

PART NUMBER		NOTE TEXT
90430-08020-00		OEM: This part number is among the Top 100 Most Popular Marine Maintenance Parts as of August 2013.
93106-09014-00		OEM: This part number is among the Top 100 Most Popular Marine Maintenance Parts as of August 2013.
93210-86M38-00		OEM: This part number is among the Top 100 Most Popular Marine Maintenance Parts as of August 2013.
93101-28M16-00		OEM: This part number is among the Top 100 Most Popular Marine Maintenance Parts as of August 2013.
93101-30M17-00		OEM: This part number is among the Top 100 Most Popular Marine Maintenance Parts as of August 2013.
93210-86M38-00		OEM: This part number is among the Top 100 Most Popular Marine Maintenance Parts as of August 2013.
6E5-44352-01-00		OEM: This part number is among the Top 100 Most Popular Marine Maintenance Parts as of August 2013.

©2013 Yamaha Motor Corporation, U.S.A. All rights reserved.

©2013 Yamaha Motor Corporation, U.S.A. All rights reserved.