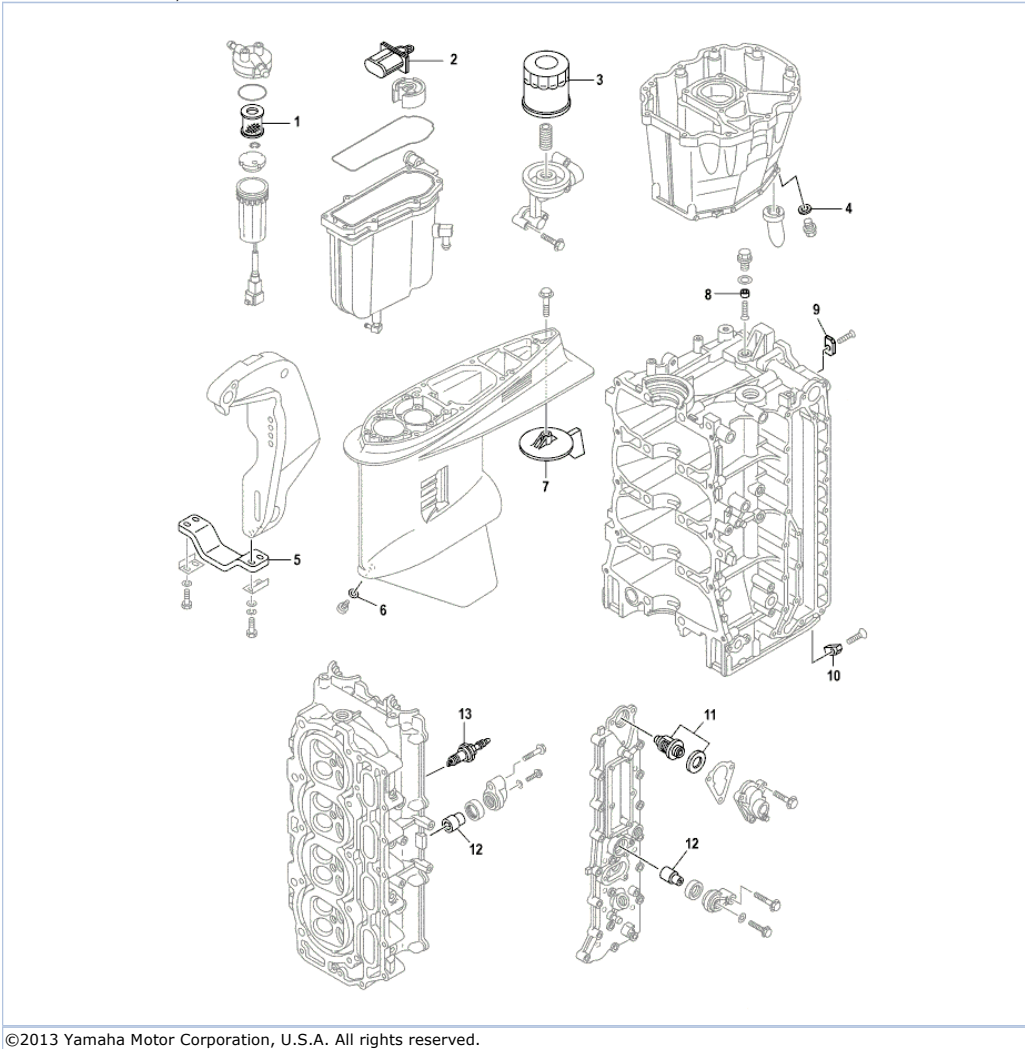


F150TXR 0408 / SCHEDULED SERVICE PARTS











Part List

F150TXR 0408 / SCHEDULED SERVICE PARTS

| REF - NO | PART NUMBER     | PART NAME                  | QUANTITY | REMARKS                         |
|----------|-----------------|----------------------------|----------|---------------------------------|
| 1        | 6P3-WS24A-00-00 | ELEMENT, FILTER            | 1        | FUEL 1 (REF #7)                 |
| 2        | 63P-13915-00-00 | FILTER                     | 1        | FUEL INJECTION PUMP (REF #20)   |
| 3        | 69J-13440-01-00 | ELEMENT ASSY, OIL CLEANER  | 1        | CYLINDER CRANKCASE 3 (REF #28)  |
| 4        | 90430-14M09-00  | .GASKET                    | 1        | OIL PAN (REF #8)                |
| 5        | 6G5-45251-02-00 | ANODE                      | 1        | BRACKET 1 (REF #2)              |
| 6        | 90430-08020-00  | .GASKET                    | 2        | LOWER CASING DRIVE 1 (REF #8)   |
| 7        | 6J9-45371-01-00 | TAB-TRIM                   | 1        | LOWER CASING DRIVE 2 (REF # 14) |
| 8        | 63P-11325-21-00 | .ANODE                     | 1        | CYLINDER CRANKCASE 1 (REF # 11) |
| 9        | 63P-11325-11-00 | ANODE                      | 4        | CYLINDER CRANKCASE 1 (REF #19)  |
| 10       | 63P-11325-01-00 | ANODE                      | 1        | CYLINDER CRANKCASE 1 (REF #17)  |
| 11       | 67F-12411-01-00 | THERMOSTAT                 | 1        | CYLINDER CRANKCASE 3 (REF #18)  |
| 12       | 68V-11325-02-00 | .ANODE                     | 2        | CYLINDER CRANKCASE 3 (REF #13)  |
| 13       | NGK-LFR5A-11-00 | PLUG, SPARK (NGK LFR5A-11) | 4        | CYLINDER CRANKCASE 2 (REF #32)  |

Part Notes

F150TXR 0408 / SCHEDULED SERVICE PARTS

| PART NUMBER   | NOTE TEXT   |
|---|---|
| 63P-13915-00-00    | OEM: This part number is among the Top 100 Most Popular Marine Maintenance Parts as of August 2013. |
| 69J-13440-01-00    | OEM: This part number is among the Top 100 Most Popular Marine Maintenance Parts as of August 2013. |
| 90430-14M09-00     | OEM: This part number is among the Top 100 Most Popular Marine Maintenance Parts as of August 2013. |
| 6G5-45251-02-00    | OEM: This part number is among the Top 100 Most Popular Marine Maintenance Parts as of August 2013. |
| 90430-08020-00     | OEM: This part number is among the Top 100 Most Popular Marine Maintenance Parts as of August 2013. |
| 6J9-45371-01-00   | OEM: This part number is among the Top 100 Most Popular Marine Maintenance Parts as of August 2013. |
| 67F-12411-01-00  | OEM: This part number is among the Top 100 Most Popular Marine Maintenance Parts as of August 2013. |
| 68V-11325-02-00  | OEM: This part number is among the Top 100 Most Popular Marine Maintenance Parts as of August 2013. |

©2013 Yamaha Motor Corporation, U.S.A. All rights reserved.

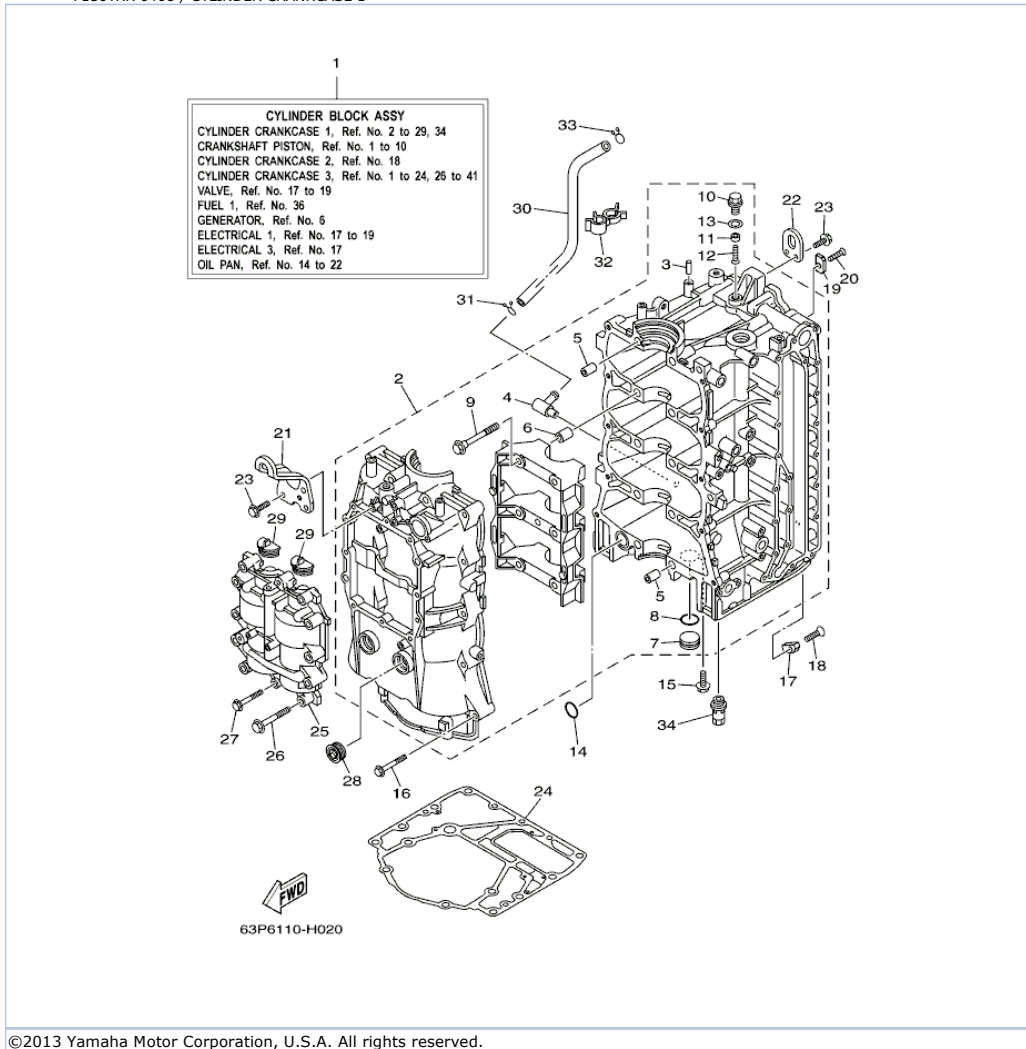


## Part List

F150TXR 0408 / TOP COWLING

| REF<br>-<br>NO | PART<br>NUMBER  | PART NAME           | QUANTITY | REMARKS |
|----------------|-----------------|---------------------|----------|---------|
| 1              | 63P-42610-01-8D | TOP COWLING ASSY    | 1        |         |
| 2              | 90465-10032-00  | .CLAMP              | 1        |         |
| 3              | 97780-50620-00  | .SCREW, TAPPING     | 1        |         |
| 4              | 63P-42647-00-94 | .HOLDER, CLAMP BAND | 2        |         |
| 5              | 92990-06100-00  | .WASHER, SPRING     | 4        |         |
| 6              | 95380-06600-00  | .NUT, HEXAGON       | 4        |         |
| 7              | 60V-42651-01-00 | .HOOK               | 2        |         |
| 8              | 69J-42663-00-00 | .DAMPER             | 2        |         |
| 9              | 97095-06016-00  | .BOLT               | 4        |         |
| 10             | 92995-06600-00  | .WASHER             | 4        |         |
| 11             | 63P-42643-00-94 | .PLATE, CLAMP       | 2        |         |
| 12             | 68F-42663-00-00 | .DAMPER             | 4        |         |
| 13             | 63P-42644-00-94 | .PLATE, CLAMP 2     | 2        |         |
| 14             | 63P-42613-00-00 | .MOLDING, AIR DUCT  | 1        |         |
| 15             | 90179-06M24-00  | .NUT                | 10       |         |
| 16             | 63P-42617-00-00 | .DAMPER, FORM       | 1        |         |
| 17             | 63P-42677-00-00 | .GRAPHIC, FRONT     | 1        |         |
| 18             | 63P-42678-00-00 | .GRAPHIC, REAR      | 1        |         |
| 19             | 63P-W0070-00-00 | .GRAPHIC SET        | 1        |         |
| 20             | 63P-42681-00-00 | .MARK, COWLING      | 1        |         |
| 21             | 63P-42682-00-00 | .MARK, COWLING      | 1        |         |
| 22             | 67F-13448-00-00 | .CAP                | 4        |         |
| 23             | 92990-06100-00  | .WASHER, SPRING     | 8        |         |
| 24             | 95380-06600-00  | .NUT, HEXAGON       | 8        |         |
| 25             | 90445-11020-00  | .HOSE (L400)        | 2        |         |
| 26             | 63P-42662-00-00 | .DAMPER             | 4        |         |
| 27             | 67F-13434-10-00 | LABEL, CAUTION      | 1        |         |

F150TXR 0408 / CYLINDER CRANKCASE 1

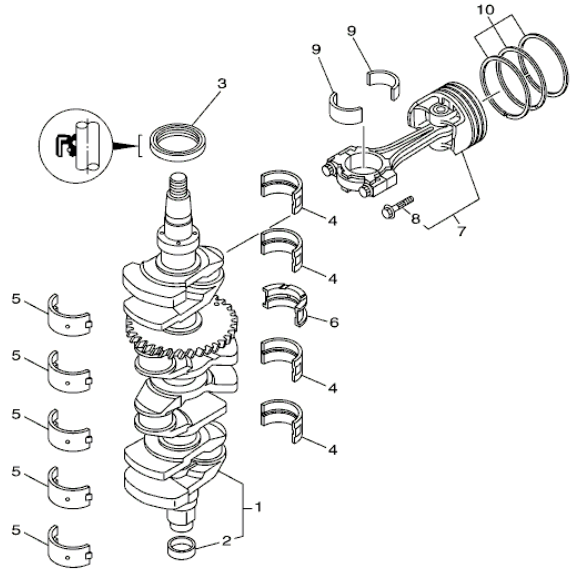


## Part List

F150TXR 0408 / CYLINDER CRANKCASE 1

| REF<br>-<br>NO | PART<br>NUMBER  | PART NAME             | QUANTITY | REMARKS |
|----------------|-----------------|-----------------------|----------|---------|
| 1              | 63P-W009B-05-9S | CYLINDER BLOCK ASSY   | 1        |         |
| 2              | 63P-W1510-03-9S | CRANKCASE ASSY        | 1        |         |
| 3              | 93606-12019-00  | .PIN, DOWEL           | 1        |         |
| 4              | 63P-11372-00-00 | .NIPPLE, HOSE         | 1        |         |
| 5              | 91814-18001-00  | .PIN, DOWEL           | 4        |         |
| 6              | 91814-18001-00  | .PIN, DOWEL           | 6        |         |
| 7              | 90338-25004-00  | .PLUG                 | 1        |         |
| 8              | 93210-25647-00  | .O-RING               | 1        |         |
| 9              | 90105-10071-00  | .BOLT, FLANGE         | 10       |         |
| 10             | 63P-11197-00-00 | .PLUG, BLIND          | 1        |         |
| 11             | 63P-11325-21-00 | .ANODE                | 1        |         |
| 12             | 98780-05016-00  | .SCREW, FLAT HEAD     | 1        |         |
| 13             | 90430-14115-00  | .GASKET               | 1        |         |
| 14             | 93210-25552-00  | O-RING                | 1        |         |
| 15             | 90119-06M81-00  | BOLT, WITH WASHER     | 1        |         |
| 16             | 90119-08M66-00  | BOLT, WITH WASHER     | 10       |         |
| 17             | 63P-11325-01-00 | ANODE                 | 1        |         |
| 18             | 90151-06M02-00  | SCREW, COUNTERSUNK    | 1        |         |
| 19             | 63P-11325-11-00 | ANODE                 | 4        |         |
| 20             | 90151-06M02-00  | SCREW, COUNTERSUNK    | 4        |         |
| 21             | 63P-11119-00-00 | HANGER, ENGINE        | 1        |         |
| 22             | 68F-11119-00-00 | HANGER, ENGINE        | 1        |         |
| 23             | 90119-06MA2-00  | BOLT, WITH WASHER     | 5        |         |
| 24             | 63P-11351-00-00 | .GASKET, CYLINDER     | 1        |         |
| 25             | 63P-11500-02-00 | BALANCER ASSY         | 1        |         |
| 26             | 90119-08M66-00  | BOLT, WITH WASHER     | 10       |         |
| 27             | 90119-06MA6-00  | BOLT, WITH WASHER     | 2        |         |
| 28             | 90340-27129-00  | .PLUG, STRAIGHT SCREW | 2        |         |
| 29             | 63P-11512-00-00 | SEAL, CRANK COVER     | 2        |         |
| 30             | 63P-11377-00-00 | HOSE                  | 1        |         |
| 31             | 90467-15M14-00  | CLIP                  | 1        |         |
| 32             | 90464-16013-00  | CLAMP                 | 1        |         |
| 33             | 90467-15M14-00  | CLIP                  | 1        |         |
| 34             | 63P-13490-00-00 | RELIEF VALVE ASSY     | 1        |         |

F150TXR 0408 / CRANKSHAFT PISTON



63P6110-H030

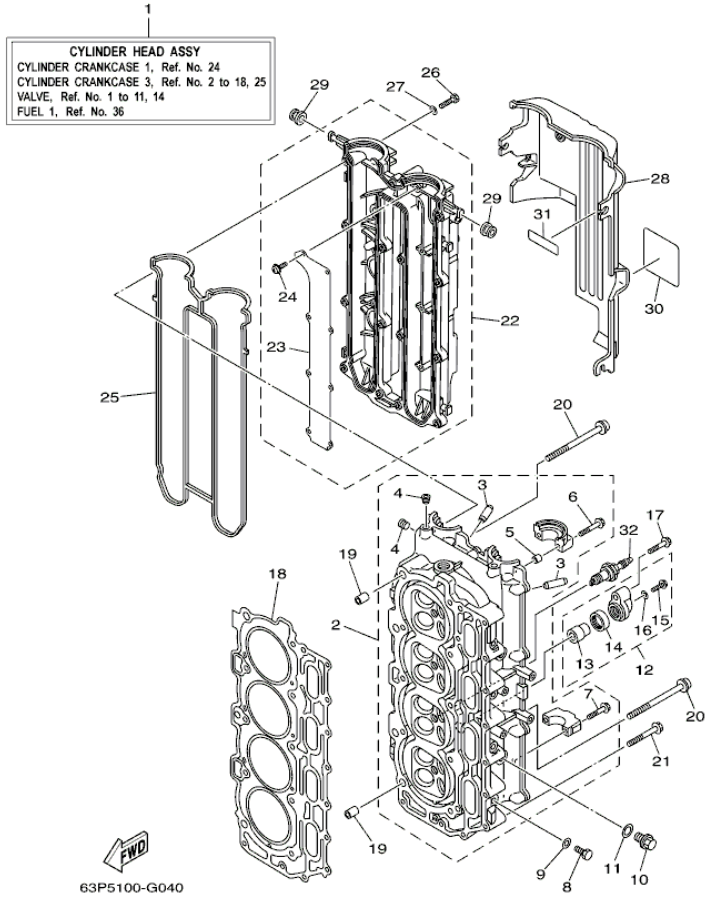
## Part List

F150TXR 0408 / CRANKSHAFT PISTON

| REF<br>-<br>NO | PART<br>NUMBER  | PART NAME                          | QUANTITY | REMARKS        |
|----------------|-----------------|------------------------------------|----------|----------------|
| 1              | 63P-11410-02-00 | CRANKSHAFT                         | 1        |                |
| 2              | 69J-11478-00-00 | .COLLAR                            | 1        |                |
| 3              | 93102-60004-00  | .OIL SEAL                          | 1        |                |
| 4              | 63P-11416-02-00 | PLANE BEARING,<br>CRANKSHAFT 1     | 4        | UR GREEN       |
| 4              | 63P-11416-22-00 | PLANE BEARING,<br>CRANKSHAFT 1     | 4        | UR YELLOW      |
| 4              | 63P-11416-12-00 | PLANE BEARING,<br>CRANKSHAFT 1     | 4        | UR RED         |
| 5              | 63P-11417-02-00 | PLANE BEARING,<br>CRANKSHAFT 2     | 5        | UR GREEN       |
| 5              | 63P-11417-32-00 | PLANE BEARING,<br>CRANKSHAFT 2     | 5        | UR BLUE/ GREEN |
| 5              | 63P-11417-22-00 | PLANE BEARING,<br>CRANKSHAFT 2     | 5        | UR YELLOW      |
| 5              | 63P-11417-12-00 | PLANE BEARING,<br>CRANKSHAFT 2     | 5        | UR RED         |
| 6              | 63P-11426-00-00 | BEARING, THRUST 1                  | 1        | UR GREEN       |
| 6              | 63P-11426-20-00 | BEARING, THRUST 1                  | 1        | UR YELLOW      |
| 6              | 63P-11426-10-00 | BEARING, THRUST 1                  | 1        | UR RED         |
| 7              | 63P-W1164-10-00 | PISTON/CON-ROD ASSY<br>(0.25MM OS) | 4        | AP             |
| 7              | 63P-W1164-01-00 | PISTON/CONROD ASSY(STD)            | 4        |                |
| 8              | 63P-11654-01-00 | .BOLT, CONNECTING ROD              | 2        |                |
| 9              | 63P-11656-01-00 | PLANE BEARING,<br>CONNECTING ROD   | 8        | UR GREEN       |
| 9              | 63P-11656-21-00 | PLANE BEARING,<br>CONNECTING ROD   | 8        | UR RED         |
| 9              | 63P-11656-11-00 | PLANE BEARING,<br>CONNECTING ROD   | 8        | UR BLUE        |
| 10             | 63P-11604-00-00 | PISTON RING SET (0.25MM<br>OS)     | 4        | AP             |
| 10             | 63P-11603-01-00 | PISTON RING SET (STD)              | 4        |                |



F150TXR 0408 / CYLINDER CRANKCASE 2



©2013 Yamaha Motor Corporation, U.S.A. All rights reserved.




## Part List

F150TXR 0408 / CYLINDER CRANKCASE 2

| REF - NO | PART NUMBER     | PART NAME                  | QUANTITY | REMARKS |
|----------|-----------------|----------------------------|----------|---------|
| 1        | 63P-W009A-02-9S | CYLINDER HEAD COMPLETE     | 1        |         |
| 2        | 63P-11110-00-9S | CYLINDER HEAD ASSY         | 1        |         |
| 3        | 69J-11133-10-00 | .GUIDE, VALVE 1            | 16       |         |
| 4        | 90344-51019-00  | .PLUG, TAPER SCREW         | 3        |         |
| 5        | 91809-08006-00  | .PIN, DOWEL                | 4        |         |
| 6        | 90119-07235-00  | .BOLT/WASHER-CAM CAPS      | 4        |         |
| 7        | 90119-07234-00  | .BOLT, WITH WASHER         | 16       |         |
| 8        | 97095-08014-00  | BOLT                       | 4        |         |
| 9        | 90430-08143-00  | GASKET                     | 4        |         |
| 10       | 90340-14M06-00  | PLUG, STRAIGHT SCREW       | 2        |         |
| 11       | 90430-14115-00  | .GASKET                    | 2        |         |
| 12       | 69J-11301-10-00 | ANODE COVER ASSY           | 2        |         |
| 13       | 68V-11325-02-00 | .ANODE                     | 1        |         |
| 14       | 67F-11328-00-00 | .GROMMET, ANODE            | 1        |         |
| 15       | 90105-06M07-00  | .BOLT, FLANGE              | 1        |         |
| 16       | 90430-06M03-00  | .GASKET                    | 1        |         |
| 17       | 97575-08540-00  | BOLT, WITH WASHER          | 2        |         |
| 18       | 63P-11181-00-00 | .GASKET, CYLINDER HEAD 1   | 1        |         |
| 19       | 90387-10M08-00  | COLLAR                     | 2        |         |
| 20       | 90155-10001-00  | SCREW, FLAT FILLISTER      | 10       |         |
| 21       | 90119-08M91-00  | BOLT, WITH WASHER          | 10       |         |
| 22       | 63P-11191-00-9S | COVER, CYLINDER HEAD 1     | 1        |         |
| 23       | 63P-11135-00-00 | .PLATE, BREATHER 3         | 1        |         |
| 24       | 97607-04208-00  | .SCREW, WITH WASHER        | 8        |         |
| 25       | 63P-11193-00-00 | .GASKET, HEAD COVER 1      | 1        |         |
| 26       | 97095-06030-00  | BOLT                       | 13       |         |
| 27       | 92995-06600-00  | WASHER                     | 13       |         |
| 28       | 63P-11192-01-00 | COVER, CYLINDER HEAD 2     | 1        |         |
| 29       | 90480-12072-00  | GROMMET                    | 5        |         |
| 30       | 63P-83626-00-00 | MARK 6                     | 1        |         |
| 31       | 67F-12138-40-00 | MARK, CAUTION              | 1        |         |
| 32       | NGK-LFR5A-11-00 | PLUG, SPARK (NGK LFR5A-11) | 4        |         |

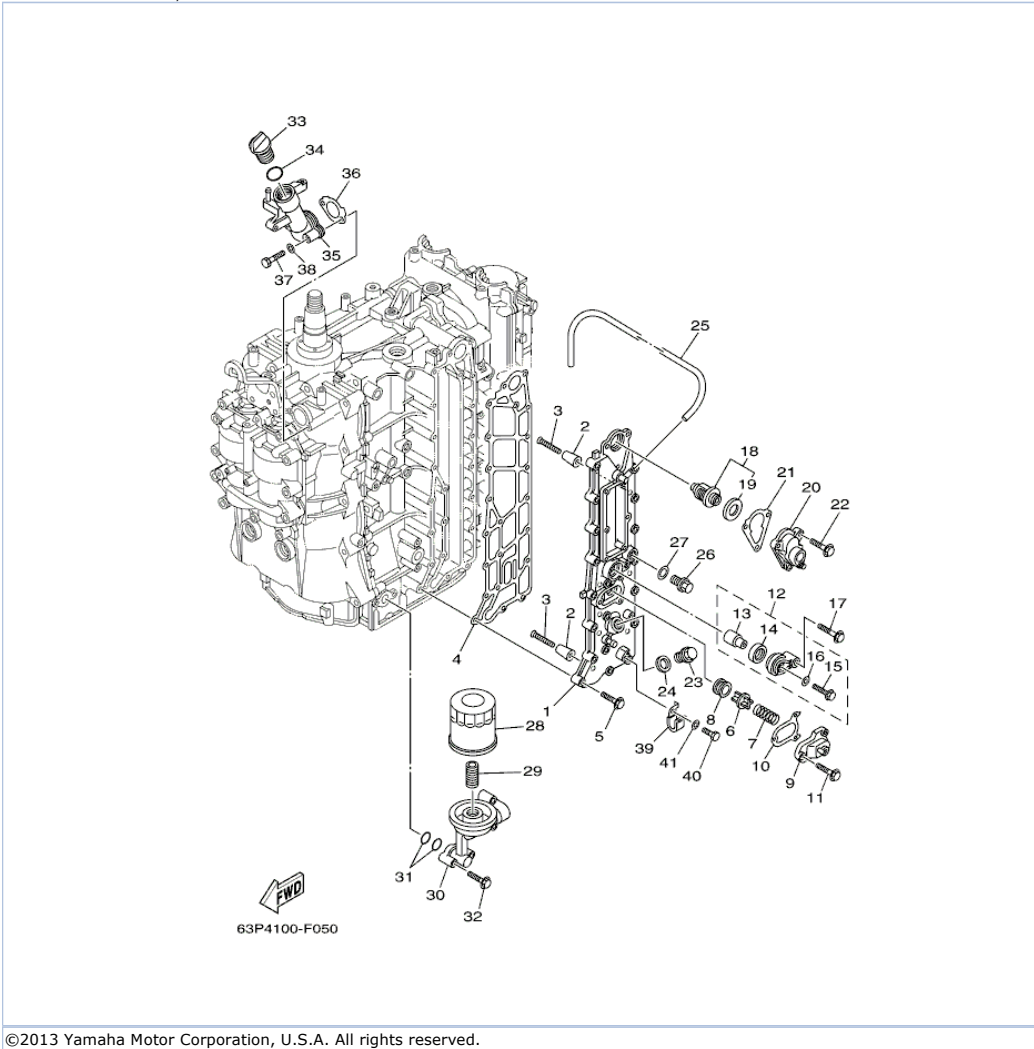
## Part Notes

F150TXR 0408 / CYLINDER CRANKCASE 2

| PART NUMBER     |   | NOTE TEXT   |
|-----------------|---|---|
| 68V-11325-02-00 |  | OEM: This part number is among the Top 100 Most Popular Marine Maintenance Parts as of August 2013. |
| 67F-11328-00-00 |  | OEM: This part number is among the Top 100 Most Popular Marine Maintenance Parts as of August 2013. |
| 90480-12072-00  |  | OEM: GROMMET used on F115TLR and F/LF115TXR 0410 Production and Earlier                             |

©2013 Yamaha Motor Corporation, U.S.A. All rights reserved.

F150TXR 0408 / CYLINDER CRANKCASE 3








Part List

F150TXR 0408 / CYLINDER CRANKCASE 3

| REF - NO | PART NUMBER     | PART NAME                    | QUANTITY | REMARKS |
|----------|-----------------|------------------------------|----------|---------|
| 1        | 63P-41113-03-9S | OUTER COVER, EXHAUST         | 1        |         |
| 2        | 68T-11325-00-00 | ANODE                        | 8        |         |
| 3        | 90151-05M05-00  | SCREW, COUNTERSUNK           | 8        |         |
| 4        | 63P-41114-A1-00 | .GASKET, EXHAUST OUTER COVER | 1        |         |
| 5        | 90119-06MA4-00  | BOLT, WITH WASHER            | 19       |         |
| 6        | 6G5-12416-00-00 | VALVE, PRESSURE CONTROL      | 1        |         |
| 7        | 90501-16M11-00  | SPRING, COMPRESSION          | 1        |         |
| 8        | 90480-20M05-00  | GROMMET                      | 1        |         |
| 9        | 67F-1246A-01-9S | COVER 1                      | 1        |         |
| 10       | 67F-12435-A0-00 | .GASKET                      | 1        |         |
| 11       | 90119-06MA2-00  | BOLT, WITH WASHER            | 3        |         |
| 12       | 69J-11301-10-00 | ANODE COVER ASSY             | 1        |         |
| 13       | 68V-11325-02-00 | .ANODE                       | 1        |         |
| 14       | 67F-11328-00-00 | .GROMMET, ANODE              | 1        |         |
| 15       | 90105-06M07-00  | .BOLT, FLANGE                | 1        |         |
| 16       | 90430-06M03-00  | .GASKET                      | 1        |         |
| 17       | 97575-08540-00  | BOLT, WITH WASHER            | 1        |         |
| 18       | 67F-12411-01-00 | THERMOSTAT                   | 1        |         |
| 19       | 67F-12412-00-00 | .SEAL, THERMOSTAT            | 1        |         |
| 20       | 63P-1240H-01-9S | COVER ASSEMBLY               | 1        |         |
| 21       | 63P-12414-00-00 | .GASKET, COVER               | 1        |         |
| 22       | 90119-06MA4-00  | BOLT, WITH WASHER            | 3        |         |
| 23       | 90340-18M09-00  | PLUG, STRAIGHT SCREW         | 1        |         |
| 24       | 90430-18130-00  | .GASKET                      | 1        |         |
| 25       | 90445-10027-00  | HOSE (L670)                  | 1        |         |
| 26       | 90340-14M06-00  | PLUG, STRAIGHT SCREW         | 1        |         |
| 27       | 90430-14115-00  | .GASKET                      | 1        |         |
| 28       | 69J-13440-01-00 | ELEMENT ASSY, OIL CLEANER    | 1        |         |
| 29       | 69J-12858-00-00 | BOLT, UNION                  | 1        |         |
| 30       | 63P-13446-00-9S | CONNECTOR                    | 1        |         |
| 31       | 93210-19MJ1-00  | .O-RING                      | 2        |         |
| 32       | 97575-06540-00  | BOLT, WITH WASHER            | 4        |         |
| 33       | 6G8-15363-00-00 | PLUG, OIL                    | 1        |         |
| 34       | 93210-24M79-00  | .O-RING                      | 1        |         |
| 35       | 63P-15319-00-9S | JOINT                        | 1        |         |
| 36       | 63P-15364-A0-00 | .GASKET, OIL PLUG            | 1        |         |
| 37       | 97095-06045-00  | .BOLT                        | 2        |         |
| 38       | 92995-06600-00  | WASHER                       | 2        |         |
| 39       | 90462-06013-00  | CLAMP                        | 1        |         |
| 40       | 97095-06012-00  | BOLT                         | 1        |         |
| 41       | 92995-06600-00  | WASHER                       | 1        |         |

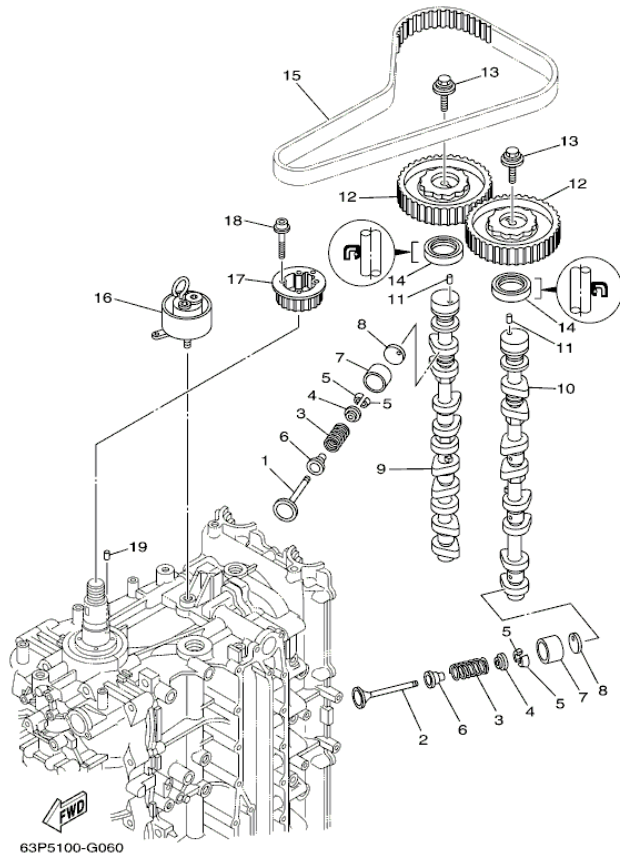
Part Notes

F150TXR 0408 / CYLINDER CRANKCASE 3

| PART NUMBER   | NOTE TEXT   |
|---|---|
| 90480-20M05-00   | OEM: This part number is among the Top 100 Most Popular Marine Maintenance Parts as of August 2013. |
| 68V-11325-02-00  | OEM: This part number is among the Top 100 Most Popular Marine Maintenance Parts as of August 2013. |
| 67F-11328-00-00  | OEM: This part number is among the Top 100 Most Popular Marine Maintenance Parts as of August 2013. |
| 67F-12411-01-00  | OEM: This part number is among the Top 100 Most Popular Marine Maintenance Parts as of August 2013. |
| 69J-13440-01-00  | OEM: This part number is among the Top 100 Most Popular Marine Maintenance Parts as of August 2013. |

©2013 Yamaha Motor Corporation, U.S.A. All rights reserved.

F150TXR 0408 / VALVE



©2013 Yamaha Motor Corporation, U.S.A. All rights reserved.


Part List

F150TXR 0408 / VALVE

| REF - NO | PART NUMBER     | PART NAME                 | QUANTITY | REMARKS |
|----------|-----------------|---------------------------|----------|---------|
| 1        | 69J-12111-00-00 | VALVE, INTAKE             | 8        |         |
| 2        | 69J-12121-00-00 | VALVE, EXHAUST            | 8        |         |
| 3        | 69J-12113-01-00 | SPRING, VALVE INNER       | 16       |         |
| 4        | 69J-12117-01-00 | RETAINER, VALVE SPRING    | 16       |         |
| 5        | 69J-12118-00-00 | COTTER, VALVE             | 32       |         |
| 6        | 69J-12119-00-00 | SEAL, VALVE STEM          | 16       |         |
| 7        | 69J-12153-00-00 | LIFTER, VALVE             | 16       |         |
| 8        | 6S1-12168-00-00 | PAD, ADJUSTING (2.320)    | 16       | UR      |
| 8        | 6S1-12169-00-00 | PAD, ADJUSTING (2.960)    | 16       | UR      |
| 8        | 6S1-12168-20-00 | PAD, ADJUSTING (2.360)    | 16       | UR      |
| 8        | 6S1-12168-30-00 | PAD, ADJUSTING (2.380)    | 16       | UR      |
| 8        | 6S1-12168-40-00 | PAD, ADJUSTING (2.400)    | 16       | UR      |
| 8        | 6S1-12168-50-00 | PAD, ADJUSTING (2.420)    | 16       | UR      |
| 8        | 6S1-12168-60-00 | PAD, ADJUSTING (2.440)    | 16       | UR      |
| 8        | 6S1-12168-70-00 | PAD, ADJUSTING (2.460)    | 16       | UR      |
| 8        | 6S1-12168-80-00 | PAD, ADJUSTING (2.480)    | 16       | UR      |
| 8        | 6S1-12168-90-00 | PAD, ADJUSTING (2.500)    | 16       | UR      |
| 8        | 6S1-12168-A0-00 | PAD, ADJUSTING (2.520)    | 16       | UR      |
| 8        | 6S1-12168-B0-00 | PAD, ADJUSTING (2.540)    | 16       | UR      |
| 8        | 6S1-12168-C0-00 | PAD, ADJUSTING (2.560)    | 16       | UR      |
| 8        | 6S1-12168-D0-00 | PAD, ADJUSTING (2.580)    | 16       | UR      |
| 8        | 6S1-12168-E0-00 | PAD, ADJUSTING (2.600)    | 16       | UR      |
| 8        | 6S1-12168-F0-00 | PAD, ADJUSTING (2.620)    | 16       | UR      |
| 8        | 6S1-12168-G0-00 | PAD, ADJUSTING (2.640)    | 16       | UR      |
| 8        | 6S1-12168-H0-00 | PAD, ADJUSTING (2.660)    | 16       | UR      |
| 8        | 6S1-12168-J0-00 | PAD, ADJUSTING (2.680)    | 16       | UR      |
| 8        | 6S1-12168-K0-00 | PAD, ADJUSTING (2.700)    | 16       | UR      |
| 8        | 6S1-12168-L0-00 | PAD, ADJUSTING (2.720)    | 16       | UR      |
| 8        | 6S1-12168-M0-00 | PAD, ADJUSTING (2.740)    | 16       | UR      |
| 8        | 6S1-12168-N0-00 | PAD, ADJUSTING (2.760)    | 16       | UR      |
| 8        | 6S1-12168-P0-00 | PAD, ADJUSTING (2.780)    | 16       | UR      |
| 8        | 6S1-12168-R0-00 | PAD, ADJUSTING (2.800)    | 16       | UR      |
| 8        | 6S1-12168-S0-00 | PAD, ADJUSTING (2.820)    | 16       | UR      |
| 8        | 6S1-12168-T0-00 | PAD, ADJUSTING (2.840)    | 16       | UR      |
| 8        | 6S1-12168-U0-00 | PAD, ADJUSTING (2.860)    | 16       | UR      |
| 8        | 6S1-12168-V0-00 | PAD, ADJUSTING (2.880)    | 16       | UR      |
| 8        | 6S1-12168-W0-00 | PAD, ADJUSTING (2.900)    | 16       | UR      |
| 8        | 6S1-12168-X0-00 | PAD, ADJUSTING (2.920)    | 16       | UR      |
| 8        | 6S1-12168-Y0-00 | PAD, ADJUSTING (2.940)    | 16       | UR      |
| 8        | 6S1-12168-10-00 | PAD, ADJUSTING (2.340)    | 16       | UR      |
| 9        | 63P-12171-00-00 | CAMSHAFT 1                | 1        |         |
| 10       | 63P-12181-00-00 | CAMSHAFT 2                | 1        |         |
| 11       | 93605-10108-00  | PIN, DOWEL                | 2        |         |
| 12       | 63P-11537-00-00 | GEAR, DRIVEN              | 2        |         |
| 13       | 68V-12157-00-00 | BOLT                      | 2        |         |
| 14       | 93102-38M59-00  | .OIL SEAL                 | 2        |         |
| 15       | 63P-46241-00-00 | BELT                      | 1        |         |
| 16       | 63P-11590-01-00 | TENSIONER ASSY            | 1        |         |
| 17       | 63P-11536-01-00 | GEAR, DRIVE               | 1        |         |
| 18       | 90110-05020-00  | BOLT, HEXAGON SOCKET HEAD | 4        |         |
| 19       | 93605-17002-00  | PIN, DOWEL                | 1        |         |

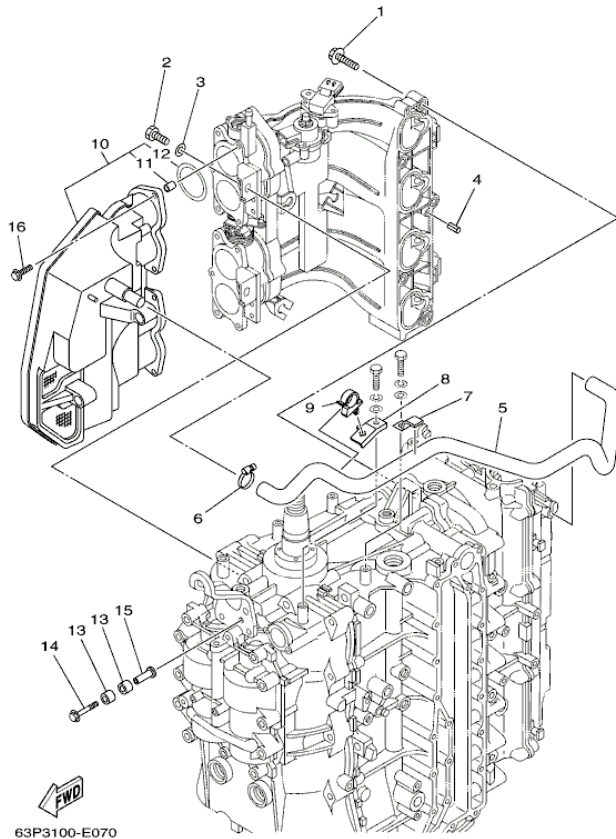
Part Notes

F150TXR 0408 / VALVE

| PART NUMBER   | NOTE TEXT   |
|---|---|
| 69J-12119-00-00  | OEM: This part number is among the Top 100 Most Popular Marine Maintenance Parts as of August 2013. |

©2013 Yamaha Motor Corporation, U.S.A. All rights reserved.

F150TXR 0408 / INTAKE 1



63P3100-E070

©2013 Yamaha Motor Corporation, U.S.A. All rights reserved.

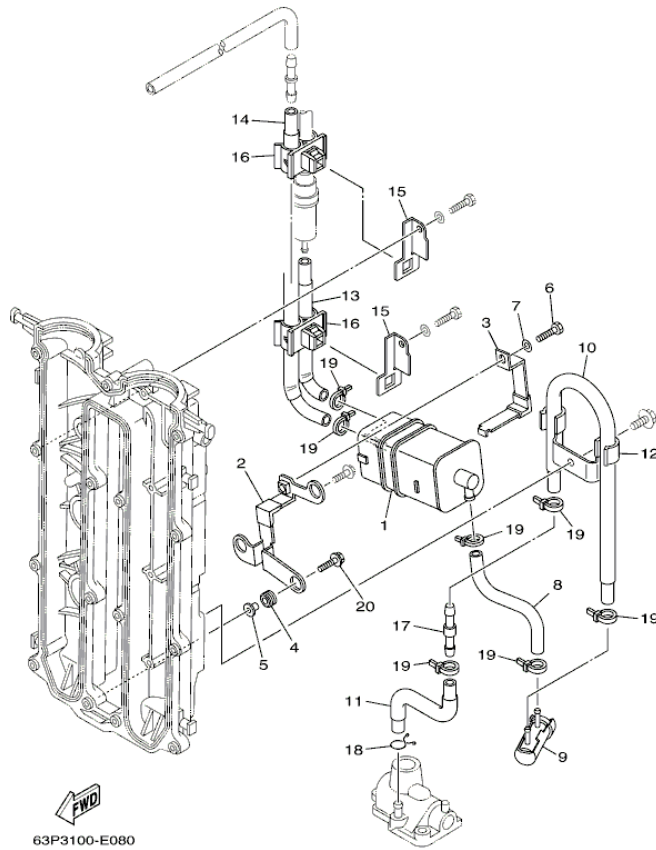
## Part List

F150TXR 0408 / INTAKE 1

| REF<br>-<br>NO | PART<br>NUMBER  | PART NAME             | QUANTITY | REMARKS |
|----------------|-----------------|-----------------------|----------|---------|
| 1              | 97575-08540-00  | BOLT, WITH WASHER     | 5        |         |
| 2              | 97013-08020-00  | BOLT                  | 2        |         |
| 3              | 92903-08600-00  | WASHER, PLATE         | 2        |         |
| 4              | 91690-50014-00  | PIN, SPRING           | 2        |         |
| 5              | 63P-15373-00-00 | PIPE, BREATHER        | 1        |         |
| 6              | 90450-22M14-00  | HOSE CLAMP ASSY       | 1        |         |
| 7              | 90462-10023-00  | CLAMP                 | 1        |         |
| 8              | 63P-15378-00-00 | HOLDER                | 1        |         |
| 9              | 90464-20006-00  | CLAMP                 | 1        |         |
| 10             | 63P-14440-00-00 | SILENCER ASSY, INTAKE | 1        |         |
| 11             | 63P-14449-00-00 | .COLLAR               | 6        |         |
| 12             | 63P-14457-00-00 | .SEAL                 | 4        |         |
| 13             | 90386-08001-00  | BUSH                  | 4        |         |
| 14             | 90119-06076-00  | BOLT, WITH WASHER     | 2        |         |
| 15             | 90387-06038-00  | COLLAR                | 2        |         |
| 16             | 90119-06M82-00  | BOLT, WITH WASHER     | 6        |         |



F150TXR 0408 / INTAKE 2



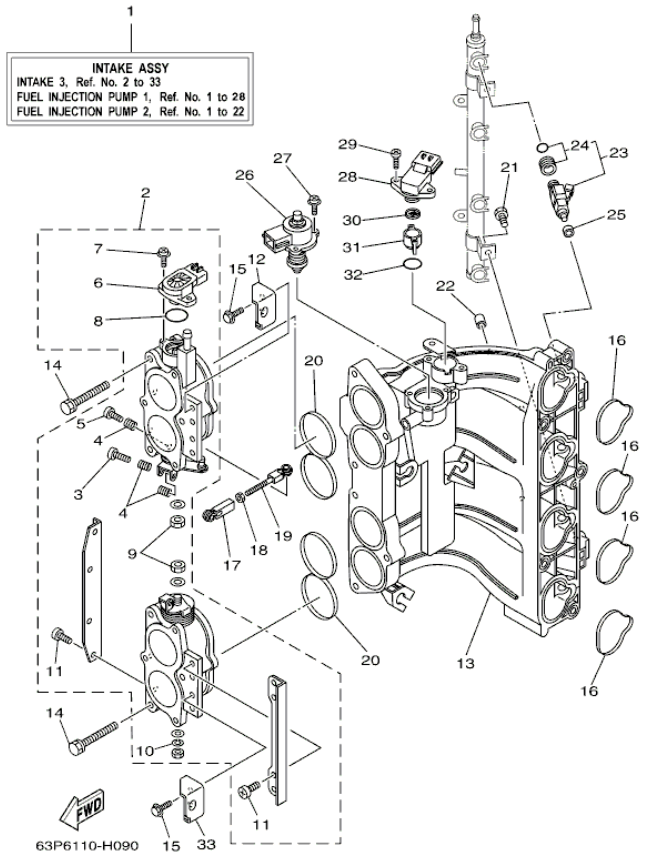
©2013 Yamaha Motor Corporation, U.S.A. All rights reserved.

## Part List

F150TXR 0408 / INTAKE 2

| REF<br>-<br>NO | PART<br>NUMBER  | PART NAME          | QUANTITY | REMARKS |
|----------------|-----------------|--------------------|----------|---------|
| 1              | 6P2-24170-00-00 | CANISTER ASSY      | 1        |         |
| 2              | 63P-2134X-00-00 | BRACKET, CANISTER  | 1        |         |
| 3              | 63P-2419A-00-00 | HOLDER             | 1        |         |
| 4              | 90480-10M23-00  | GROMMET            | 3        |         |
| 5              | 90387-06M60-00  | COLLAR             | 3        |         |
| 6              | 97095-06016-00  | BOLT               | 1        |         |
| 7              | 92995-06600-00  | WASHER             | 1        |         |
| 8              | 64P-24313-00-00 | PIPE 3             | 1        |         |
| 9              | 69J-24502-00-00 | FILTER, FUEL       | 1        |         |
| 10             | 64P-24312-00-00 | PIPE 2             | 1        |         |
| 11             | 64P-24311-00-00 | PIPE, FUEL 1       | 1        |         |
| 12             | 63P-24367-00-00 | CLAMP, FUEL PIPE 2 | 1        |         |
| 13             | 64P-24315-00-00 | PIPE 5             | 1        |         |
| 14             | 64P-24314-00-00 | PIPE 4             | 1        |         |
| 15             | 63P-24364-00-00 | STAY               | 2        |         |
| 16             | 90464-11012-00  | CLAMP              | 2        |         |
| 17             | 6E5-24379-00-00 | PIPE, JOINT 4      | 1        |         |
| 18             | 90467-09M09-00  | CLIP               | 1        |         |
| 19             | 90465-11M10-00  | CLAMP              | 7        |         |
| 20             | 90119-06135-00  | BOLT, WITH WASHER  | 2        |         |

F150TXR 0408 / INTAKE 3



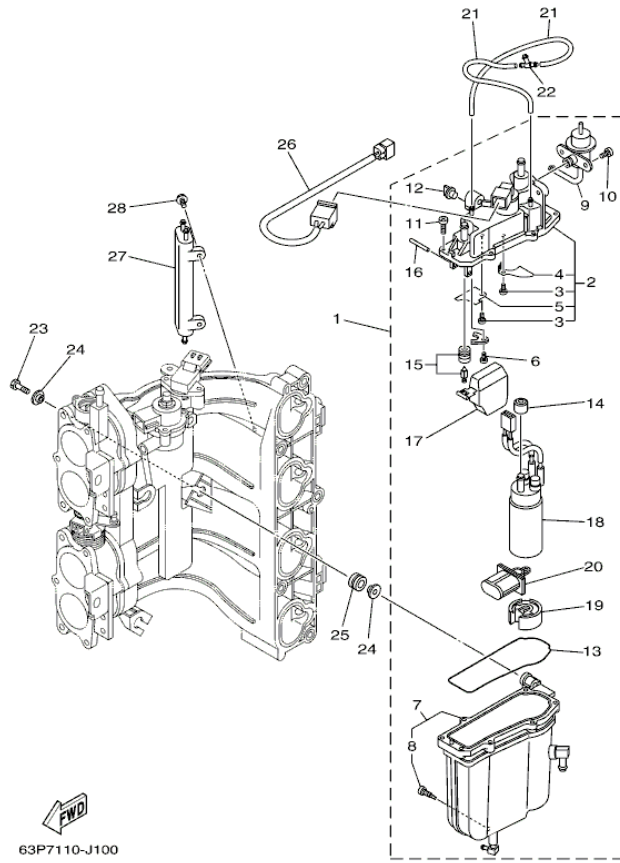
©2013 Yamaha Motor Corporation, U.S.A. All rights reserved.

## Part List

F150TXR 0408 / INTAKE 3

| REF<br>-<br>NO | PART<br>NUMBER  | PART NAME               | QUANTITY | REMARKS |
|----------------|-----------------|-------------------------|----------|---------|
| 1              | 63P-14200-21-00 | INTAKE ASSY             | 1        |         |
| 2              | 63P-13751-01-00 | BODY, THROTTLE 1        | 1        |         |
| 3              | 69J-14321-00-00 | .SCREW, THROTTLE        | 1        |         |
| 4              | 68V-14331-00-00 | .SPRING, THROTTLE VALVE | 3        |         |
| 5              | 68V-14323-00-00 | .SCREW, AIR ADJUSTING   | 1        |         |
| 6              | 6S1-85885-00-00 | .THROTTLE SENSOR ASSY   | 1        |         |
| 7              | 68V-81145-01-00 | .SCREW 1                | 2        |         |
| 8              | 68V-8182L-00-00 | .O-RING 1               | 1        |         |
| 9              | 3CF-14594-00-00 | .NUT                    | 2        |         |
| 10             | 68V-14356-00-00 | .WASHER, SPRING         | 1        |         |
| 11             | 68V-14565-00-00 | .SCREW                  | 8        |         |
| 12             | 63P-14291-00-00 | BRACKET 1               | 1        |         |
| 13             | 63P-13641-00-00 | MANIFOLD, INTAKE 1      | 1        |         |
| 14             | 63P-14496-00-00 | BOLT                    | 6        |         |
| 15             | 97595-06516-00  | BOLT, WITH WASHER       | 4        |         |
| 16             | 63P-13645-00-00 | GASKET, MANIFOLD 1      | 4        |         |
| 17             | 6H4-41237-00-00 | JOINT, LINK             | 1        |         |
| 18             | 95380-05700-00  | NUT                     | 1        |         |
| 19             | 682-41238-01-00 | JOINT, LINK             | 1        |         |
| 20             | 63P-13557-00-00 | GASKET                  | 2        |         |
| 21             | 63P-14446-00-00 | BOLT                    | 2        |         |
| 22             | 63P-13643-00-00 | COVER, MANIFOLD         | 4        |         |
| 23             | 63P-13761-00-00 | INJECTOR                | 4        |         |
| 24             | 68V-1410B-00-00 | .PACKING KIT            | 1        |         |
| 25             | 68V-13766-00-00 | RUBBER, INJECTOR        | 4        |         |
| 26             | 63P-1312A-01-00 | VALVE, CONTROL          | 1        |         |
| 27             | 68V-81146-01-00 | SCREW 2                 | 3        |         |
| 28             | 63P-82380-00-00 | SENSOR, PRESSURE        | 1        |         |
| 29             | 68V-81147-00-00 | SCREW 3                 | 2        |         |
| 30             | 63P-13905-00-00 | FILTER COMP.            | 1        |         |
| 31             | 63P-13898-00-00 | HOLDER                  | 1        |         |
| 32             | 63P-13769-00-00 | O-RING                  | 1        |         |
| 33             | 63P-14292-00-00 | BRACKET 2               | 1        |         |

F150TXR 0408 / FUEL INJECTION PUMP 1



  
63P7110-J100


Part List

F150TXR 0408 / FUEL INJECTION PUMP 1

| REF - NO | PART NUMBER     | PART NAME              | QUANTITY | REMARKS |
|----------|-----------------|------------------------|----------|---------|
| 1        | 63P-14180-01-00 | FLOAT CHAMBER ASSY     | 1        |         |
| 2        | 63P-14182-00-00 | .COVER, FLOAT CHAMBER  | 1        |         |
| 3        | 4SV-24453-00-00 | ..SCREW                | 2        |         |
| 4        | 63P-2411R-00-00 | ..PLATE 1              | 1        |         |
| 5        | 63P-2411T-00-00 | ..PLATE 2              | 1        |         |
| 6        | 4SV-24453-00-00 | .SCREW                 | 1        |         |
| 7        | 63P-14181-00-00 | .BODY, FLOAT CHAMBER 1 | 1        |         |
| 8        | 63P-14191-00-00 | ..PLUG, DRAIN          | 1        |         |
| 9        | 63P-13906-00-00 | .REGULATOR, PRESSURE   | 1        |         |
| 10       | 63P-14565-00-00 | .SCREW                 | 2        |         |
| 11       | 63P-14567-00-00 | .SCREW                 | 7        |         |
| 12       | 69J-14225-01-00 | .CAP                   | 1        |         |
| 13       | 63P-14984-00-00 | .GASKET, FLOAT CHAMBER | 1        |         |
| 14       | 68V-13781-10-00 | .DAMPER, PUMP          | 1        |         |
| 15       | 63P-14546-00-00 | .VALVE, NEEDLE         | 1        |         |
| 16       | 68V-14386-00-00 | .PIN, FLOAT            | 1        |         |
| 17       | 63P-14985-00-00 | .FLOAT                 | 1        |         |
| 18       | 63P-13907-02-00 | .FUEL PUMP COMP        | 1        |         |
| 19       | 63P-13784-00-00 | .COVER, PUMP           | 1        |         |
| 20       | 63P-13915-00-00 | .FILTER                | 1        |         |
| 21       | 63P-14148-00-00 | PIPE                   | 2        |         |
| 22       | 69J-24379-00-00 | .PIPE, JOINT 4         | 1        |         |
| 23       | 63P-14777-00-00 | BOLT                   | 3        |         |
| 24       | 69J-13716-00-00 | .COLLAR                | 6        |         |
| 25       | 6BM-13593-00-00 | DAMPER                 | 3        |         |
| 26       | 63P-8259L-00-00 | WIRE HARNESS ASSY 1    | 1        |         |
| 27       | 69J-21841-02-00 | COOLER                 | 1        |         |
| 28       | 68V-14446-00-00 | BOLT                   | 2        |         |

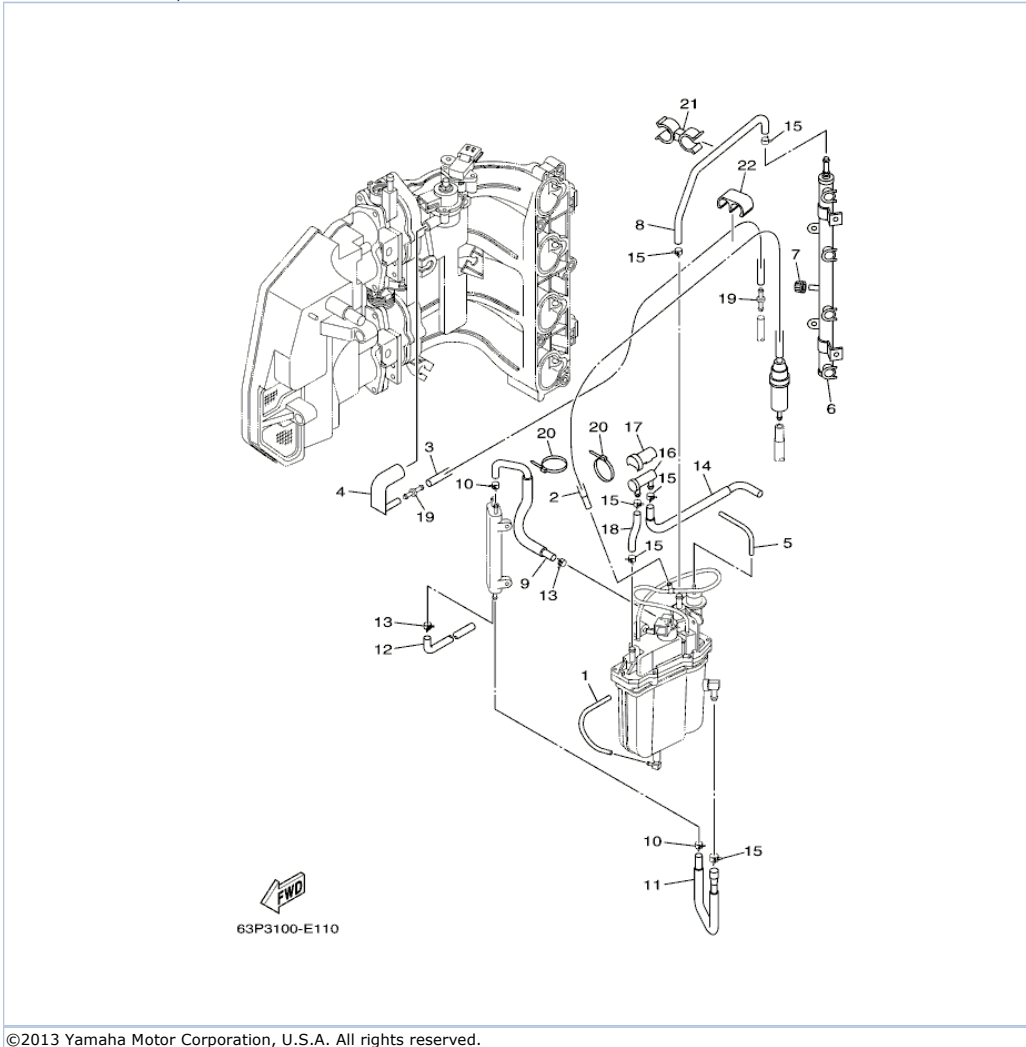
Part Notes

F150TXR 0408 / FUEL INJECTION PUMP 1

| PART NUMBER   | NOTE TEXT   |
|---|---|
| 63P-13915-00-00  | OEM: This part number is among the Top 100 Most Popular Marine Maintenance Parts as of August 2013. |

©2013 Yamaha Motor Corporation, U.S.A. All rights reserved.

F150TXR 0408 / FUEL INJECTION PUMP 2



©2013 Yamaha Motor Corporation, U.S.A. All rights reserved.


Part List

F150TXR 0408 / FUEL INJECTION PUMP 2

| REF - NO | PART NUMBER     | PART NAME              | QUANTITY | REMARKS |
|----------|-----------------|------------------------|----------|---------|
| 1        | 63P-14149-00-00 | PIPE                   | 1        |         |
| 2        | 63P-13971-00-00 | PIPE, FUEL 1           | 1        |         |
| 3        | 63P-13546-00-00 | HOSE 2                 | 1        |         |
| 4        | 63P-13545-00-00 | HOSE 1                 | 1        |         |
| 5        | 63P-13532-10-00 | HOSE, VACUUM SENSING 3 | 1        |         |
| 6        | 63P-13160-00-00 | DELIVERY PIPE ASSY 1   | 1        |         |
| 7        | 63P-14225-00-00 | .CAP                   | 1        |         |
| 8        | 63P-13974-20-00 | PIPE, FUEL 4           | 1        |         |
| 9        | 63P-13976-00-00 | PIPE, FUEL 6           | 1        |         |
| 10       | 68V-2411M-00-00 | CLIP                   | 2        |         |
| 11       | 63P-24317-00-00 | PIPE 7                 | 1        |         |
| 12       | 63P-2247B-00-00 | HOSE 2                 | 1        |         |
| 13       | 68V-24519-00-00 | CLIP                   | 2        |         |
| 14       | 63P-24325-00-00 | PIPE 14                | 1        |         |
| 15       | 68V-13577-00-00 | CLIP                   | 6        |         |
| 16       | 69J-24501-10-00 | FILTER, FUEL           | 1        |         |
| 17       | 69J-24599-10-00 | CAP                    | 1        |         |
| 18       | 63P-13975-00-00 | PIPE, FUEL 5           | 1        |         |
| 19       | 6P2-13758-00-00 | PIPE, JOINT            | 2        |         |
| 20       | 68V-2481H-00-00 | CLAMP                  | 2        |         |
| 21       | 63P-2417H-00-00 | CLAMP 1                | 1        |         |
| 22       | 63P-2417J-00-00 | CLAMP 2                | 1        |         |

Part Notes

F150TXR 0408 / FUEL INJECTION PUMP 2

| PART NUMBER   | NOTE TEXT   |
|---|---|
| 69J-24501-10-00  | OEM: This part number is among the Top 100 Most Popular Marine Maintenance Parts as of August 2013. |

©2013 Yamaha Motor Corporation, U.S.A. All rights reserved.






Part List

F150TXR 0408 / FUEL 1

| REF - NO | PART NUMBER     | PART NAME            | QUANTITY | REMARKS |
|----------|-----------------|----------------------|----------|---------|
| 1        | 689-85547-00-00 | DAMPER               | 1        |         |
| 2        | 90445-13511-00  | HOSE (L2000)         | 1        |         |
| 3        | 6R3-24377-10-00 | PIPE, JOINT 2        | 2        |         |
| 4        | 90465-11M10-00  | CLAMP                | 4        |         |
| 5        | 63P-24316-00-00 | PIPE 6               | 1        |         |
| 6        | 6P3-24560-01-00 | FILTER ASSY          | 1        |         |
| 7        | 6P3-24563-00-00 | .ELEMENT, FILTER     | 1        |         |
| 8        | 6P3-24562-01-00 | .CUP, FILTER         | 1        |         |
| 9        | 6P3-24469-00-00 | ..FLOAT, WATER LEVEL | 1        |         |
| 10       | 6P3-24519-00-00 | ..CLIP               | 1        |         |
| 11       | 6P3-24564-00-00 | .GASKET              | 1        |         |
| 12       | 63P-24566-00-00 | BRACKET, FILTER      | 1        |         |
| 13       | 97095-06014-00  | BOLT                 | 2        |         |
| 14       | 92995-06600-00  | WASHER               | 2        |         |
| 15       | 90387-06M60-00  | COLLAR               | 2        |         |
| 16       | 90480-10M23-00  | GROMMET              | 2        |         |
| 17       | 90119-06071-00  | BOLT, WITH WASHER    | 2        |         |
| 18       | 63P-24311-10-00 | PIPE, FUEL 1         | 1        |         |
| 19       | 63P-24410-00-00 | FUEL PUMP ASSY       | 2        |         |
| 20       | 68V-24412-00-00 | .BODY 1              | 1        |         |
| 21       | 68V-24454-00-00 | .SPRING              | 1        |         |
| 22       | 63P-13131-00-00 | .PLUNGER             | 1        |         |
| 23       | 63P-24423-00-00 | .SPRING, DIAPHRAGM   | 1        |         |
| 24       | 68V-24411-00-00 | .DIAPHRAGM           | 1        |         |
| 25       | 68V-24374-00-00 | .PIN                 | 1        |         |
| 26       | 68V-24413-00-00 | .BODY 2              | 1        |         |
| 27       | 63P-24414-00-00 | .BODY 3              | 1        |         |
| 28       | 68V-24444-00-00 | .SCREW               | 3        |         |
| 29       | 68V-24149-00-00 | .NUT                 | 3        |         |
| 30       | 6E5-24378-00-00 | PIPE, JOINT 3        | 2        |         |
| 31       | 63P-24314-00-00 | PIPE 4               | 1        |         |
| 32       | 63P-24315-00-00 | PIPE 5               | 1        |         |
| 33       | 63P-24312-10-00 | PIPE 2               | 1        |         |
| 34       | 63P-24313-10-00 | PIPE 3               | 1        |         |
| 35       | 90465-11M10-00  | CLAMP                | 11       |         |
| 36       | 93210-30682-00  | .O-RING              | 2        |         |
| 37       | 90119-06M83-00  | BOLT, WITH WASHER    | 3        |         |
| 38       | 90119-06135-00  | BOLT, WITH WASHER    | 1        |         |

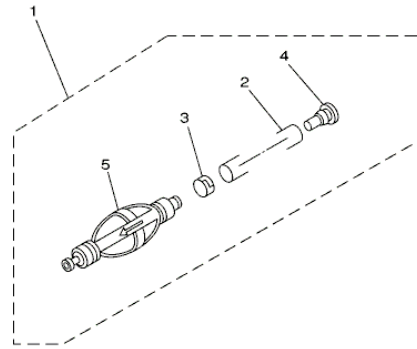
Part Notes

F150TXR 0408 / FUEL 1

| PART NUMBER   | NOTE TEXT   |
|---|---|
| 6P3-24564-00-00  | OEM: This part number is among the Top 100 Most Popular Marine Maintenance Parts as of August 2013. |

©2013 Yamaha Motor Corporation, U.S.A. All rights reserved.

F150TXR 0408 / FUEL 2



©2013 Yamaha Motor Corporation, U.S.A. All rights reserved.

## Part List

F150TXR 0408 / FUEL 2

| REF<br>-<br>NO | PART<br>NUMBER  | PART NAME         | QUANTITY | REMARKS |
|----------------|-----------------|-------------------|----------|---------|
| 1              | 6Y2-24307-50-00 | FUEL PIPE COMP. 2 | 1        | AP      |
| 2              | 90445-13M01-00  | .HOSE (L2050)     | 1        |         |
| 3              | 6E5-24351-51-00 | .BAND 1           | 1        |         |
| 4              | 90480-06M19-00  | .GROMMET          | 1        |         |
| 5              | 6Y2-24360-60-00 | .PRIMER PUMP ASSY | 1        |         |




Part List

F150TXR 0408 / GENERATOR

| REF - NO | PART NUMBER     | PART NAME                   | QUANTITY | REMARKS |
|----------|-----------------|-----------------------------|----------|---------|
| 1        | 63P-81450-00-00 | ROTOR ASSY                  | 1        |         |
| 2        | 63P-81460-00-00 | BASE ASSY                   | 1        |         |
| 3        | 63P-85580-00-00 | .COIL, PULSER               | 1        |         |
| 4        | 63P-81410-00-00 | .STATOR ASSY                | 1        |         |
| 5        | 63D-81345-20-00 | .SCREW, WITH WASHER (M6X30) | 4        |         |
| 6        | 63P-81673-01-00 | ROTOR                       | 1        |         |
| 7        | 99530-08012-00  | PIN, DOWEL                  | 2        |         |
| 8        | 97095-06035-00  | BOLT                        | 4        |         |
| 9        | 92995-06100-00  | WASHER, SPRING              | 4        |         |
| 10       | 92995-06600-00  | WASHER                      | 4        |         |
| 11       | 63P-81845-00-00 | PLATE                       | 2        |         |
| 12       | 90280-05015-00  | KEY, WOODRUFF               | 1        |         |
| 13       | 90201-24014-00  | WASHER, PLATE               | 1        |         |
| 14       | 90179-24002-00  | NUT                         | 1        |         |
| 15       | 6P2-81332-00-00 | PLATE, TIMING               | 1        |         |
| 16       | 97885-06010-00  | SCREW, PAN HEAD             | 1        |         |
| 17       | 92995-06600-00  | WASHER                      | 1        |         |
| 18       | 63P-81337-00-00 | COVER, FLYWHEEL             | 1        |         |
| 19       | 663-82317-01-00 | DAMPER, IGNITION COIL       | 3        |         |
| 20       | 63P-8132G-00-00 | PLATE                       | 1        |         |
| 21       | 97095-06016-00  | BOLT                        | 1        |         |
| 22       | 92995-06600-00  | WASHER                      | 1        |         |
| 23       | 63P-13437-41-00 | MARK, CAUTION               | 1        |         |
| 24       | 6AH-81994-40-00 | LABEL, SAFETY               | 1        |         |

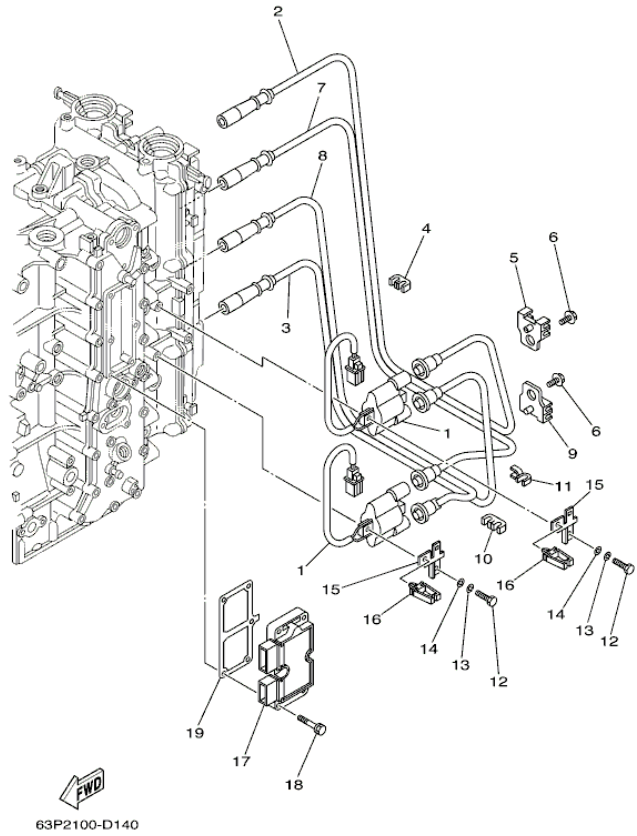
Part Notes

F150TXR 0408 / GENERATOR

| PART NUMBER  | NOTE TEXT   |
|--|---|
| 92995-06100-00  | OEM: This part number is among the Top 100 Most Popular Marine Maintenance Parts as of August 2013. |

©2013 Yamaha Motor Corporation, U.S.A. All rights reserved.

F150TXR 0408 / ELECTRICAL 1



©2013 Yamaha Motor Corporation, U.S.A. All rights reserved.


Part List

F150TXR 0408 / ELECTRICAL 1

| REF - NO | PART NUMBER     | PART NAME                  | QUANTITY | REMARKS |
|----------|-----------------|----------------------------|----------|---------|
| 1        | 63P-82310-01-00 | IGNITION COIL ASSY         | 2        |         |
| 2        | 63P-82341-00-00 | CORD, HIGH TENSION 1       | 1        |         |
| 3        | 63P-82342-00-00 | CORD, HIGH TENSION 2       | 1        |         |
| 4        | 67F-82361-00-00 | CLAMP, CORD                | 1        |         |
| 5        | 67F-82362-00-00 | CLAMP, CORD 2              | 1        |         |
| 6        | 90119-06134-00  | BOLT, WITH WASHER          | 2        |         |
| 7        | 63P-82343-00-00 | CORD, HIGH TENSION 3       | 1        |         |
| 8        | 63P-82344-00-00 | CORD, HIGH TENSION 4       | 1        |         |
| 9        | 67F-82362-00-00 | CLAMP, CORD 2              | 1        |         |
| 10       | 67F-82361-00-00 | CLAMP, CORD                | 1        |         |
| 11       | 90464-07M41-00  | CLAMP                      | 1        |         |
| 12       | 97095-06025-00  | BOLT                       | 4        |         |
| 13       | 92995-06100-00  | WASHER, SPRING             | 4        |         |
| 14       | 92995-06600-00  | WASHER                     | 4        |         |
| 15       | 63P-82388-00-00 | PLATE                      | 2        |         |
| 16       | 90464-05141-00  | CLAMP                      | 2        |         |
| 17       | 63P-81960-01-00 | RECTIFIER & REGULATOR ASSY | 1        |         |
| 18       | 90119-06MA4-00  | BOLT, WITH WASHER          | 6        |         |
| 19       | 63P-81975-00-00 | PLATE, RECTIFIER FITTING   | 1        |         |

Part Notes

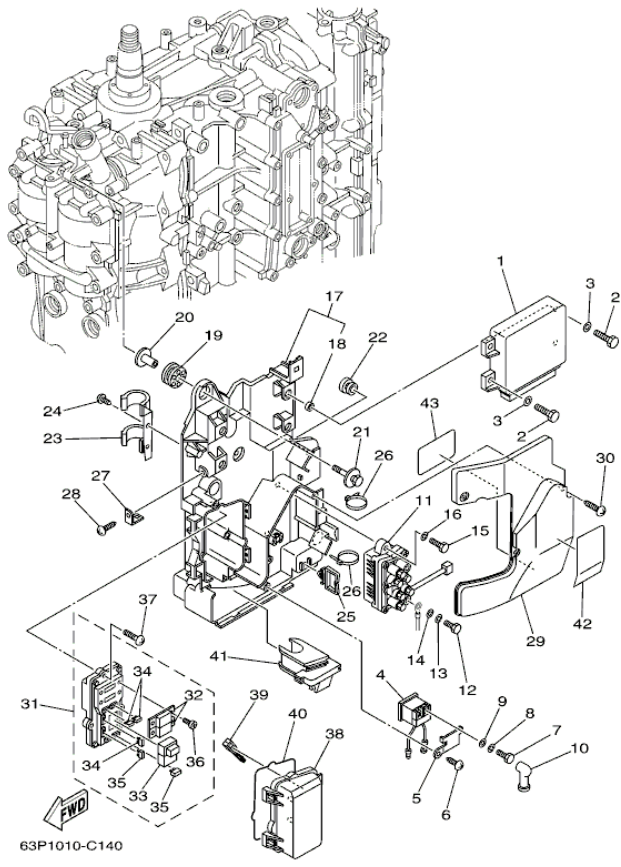
F150TXR 0408 / ELECTRICAL 1

| PART NUMBER  | NOTE TEXT   |
|--|---|
| 92995-06100-00  | OEM: This part number is among the Top 100 Most Popular Marine Maintenance Parts as of August 2013. |

©2013 Yamaha Motor Corporation, U.S.A. All rights reserved.



F150TXR 0408 / ELECTRICAL 2



©2013 Yamaha Motor Corporation, U.S.A. All rights reserved.



Part List

F150TXR 0408 / ELECTRICAL 2

| REF - NO | PART NUMBER     | PART NAME                 | QUANTITY | REMARKS |
|----------|-----------------|---------------------------|----------|---------|
| 1        | 63P-8591A-34-00 | ENGINE CONTROL UNIT ASSY  | 1        |         |
| 2        | 97095-06016-00  | BOLT                      | 4        |         |
| 3        | 92995-06600-00  | WASHER                    | 4        |         |
| 4        | 68V-8194A-00-00 | RELAY                     | 1        |         |
| 5        | 68V-81953-00-00 | STAY, RELAY               | 1        |         |
| 6        | 97780-60620-00  | SCREW, TAPPING            | 1        |         |
| 7        | 97095-06010-00  | BOLT                      | 2        |         |
| 8        | 92995-06100-00  | WASHER, SPRING            | 2        |         |
| 9        | 92995-06600-00  | WASHER                    | 2        |         |
| 10       | 6G5-82119-00-00 | COVER, LEAD WIRE          | 2        |         |
| 11       | 63P-81950-00-00 | RELAY ASSY                | 1        |         |
| 12       | 97095-06010-00  | BOLT                      | 2        |         |
| 13       | 92995-06100-00  | WASHER, SPRING            | 2        |         |
| 14       | 92995-06600-00  | WASHER                    | 2        |         |
| 15       | 97013-06020-00  | BOLT                      | 2        |         |
| 16       | 92903-06600-00  | WASHER, PLATE             | 2        |         |
| 17       | 63P-81948-00-00 | BRACKET                   | 1        |         |
| 18       | 90387-06010-00  | .COLLAR                   | 4        |         |
| 19       | 68F-85516-01-00 | SPACER                    | 3        |         |
| 20       | 90387-06176-00  | COLLAR                    | 3        |         |
| 21       | 68F-85119-00-00 | BOLT                      | 3        |         |
| 22       | 90480-10627-00  | GROMMET                   | 1        |         |
| 23       | 63P-82594-00-00 | CLAMP                     | 1        |         |
| 24       | 97780-60620-00  | SCREW, TAPPING            | 1        |         |
| 25       | 90464-23199-00  | CLAMP                     | 1        |         |
| 26       | 90465-13M18-00  | CLAMP                     | 3        |         |
| 27       | 68V-85548-00-00 | HOLDER                    | 1        |         |
| 28       | 97780-60620-00  | SCREW, TAPPING            | 1        |         |
| 29       | 63P-81942-00-00 | COVER                     | 1        |         |
| 30       | 90169-05M00-00  | SCREW, TRUSS HEAD TAPPING | 3        |         |
| 31       | 63P-82170-00-00 | FUSE BOX ASSY             | 1        |         |
| 32       | 63P-82151-00-00 | .FUSE (50A)               | 2        |         |
| 33       | 68F-8195A-00-00 | .RELAY ASSY               | 1        |         |
| 34       | 67F-82151-00-00 | .FUSE (20A)               | 3        |         |
| 35       | 67F-82151-10-00 | .FUSE (30A)               | 2        |         |
| 36       | 68F-82846-00-00 | .SCREW, PAN HEAD (M5)     | 4        |         |
| 37       | 97780-50620-00  | SCREW, TAPPING            | 3        |         |
| 38       | 60V-85544-00-00 | CASE                      | 1        |         |
| 39       | 67F-2812A-00-00 | .PULLER, FUSE             | 1        |         |
| 40       | 60V-82157-00-00 | DAMPER                    | 1        |         |
| 41       | 63P-81336-00-00 | GROMMET                   | 1        |         |
| 42       | 63P-81919-00-00 | GRAPHIC, REGULATOR        | 1        |         |
| 43       | 63P-81919-10-00 | GRAPHIC, REGULATOR        | 1        |         |

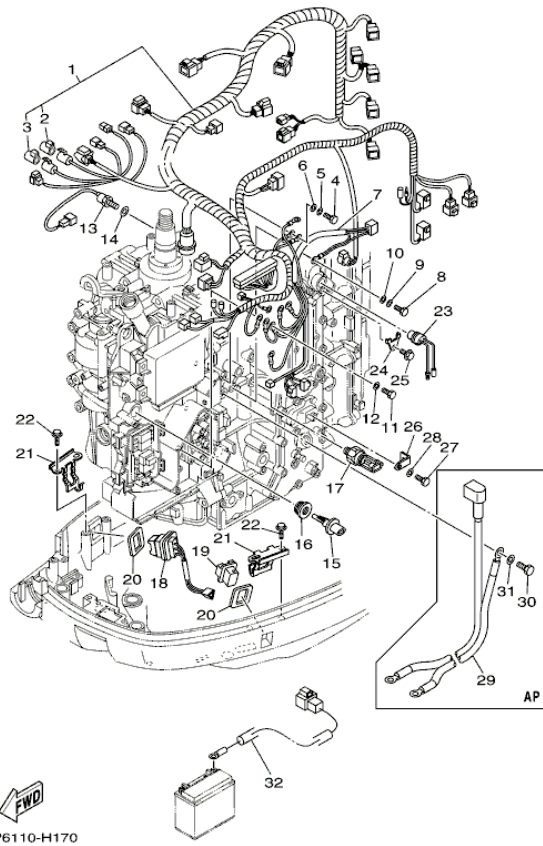
Part Notes

F150TXR 0408 / ELECTRICAL 2

| PART NUMBER  | NOTE TEXT   |
|--|---|
| 92995-06100-00  | OEM: This part number is among the Top 100 Most Popular Marine Maintenance Parts as of August 2013. |
| 92995-06100-00  | OEM: This part number is among the Top 100 Most Popular Marine Maintenance Parts as of August 2013. |

©2013 Yamaha Motor Corporation, U.S.A. All rights reserved.

F150TXR 0408 / ELECTRICAL 3



©2013 Yamaha Motor Corporation, U.S.A. All rights reserved.




Part List

F150TXR 0408 / ELECTRICAL 3

| REF - NO | PART NUMBER     | PART NAME                   | QUANTITY | REMARKS |
|----------|-----------------|-----------------------------|----------|---------|
| 1        | 63P-82590-30-00 | WIRE HARNESS ASSY           | 1        |         |
| 2        | 6P2-82582-00-00 | .CAP 1 (FEMALE)             | 1        |         |
| 3        | 6P2-82582-10-00 | .CAP 1 (MALE)               | 1        |         |
| 4        | 97095-06020-00  | BOLT                        | 1        |         |
| 5        | 92995-06100-00  | WASHER, SPRING              | 1        |         |
| 6        | 92995-06600-00  | WASHER                      | 1        |         |
| 7        | 63P-8259M-00-00 | WIRE HARNESS ASSY 2         | 1        |         |
| 8        | 97095-06020-00  | BOLT                        | 1        |         |
| 9        | 92995-06100-00  | WASHER, SPRING              | 1        |         |
| 10       | 92995-06600-00  | WASHER                      | 1        |         |
| 11       | 97095-06012-00  | BOLT                        | 1        |         |
| 12       | 92995-06600-00  | WASHER                      | 1        |         |
| 13       | 61A-85790-00-00 | THERMOSENSOR ASSY           | 1        |         |
| 14       | 92990-10600-00  | WASHER, PLATE               | 1        |         |
| 15       | 63P-85886-00-00 | SENSOR, AIR TEMPERATURE     | 1        |         |
| 16       | 63P-14435-00-00 | GROMMET                     | 1        |         |
| 17       | 6AW-83651-00-00 | SENDER, OIL PRESSURE        | 1        |         |
| 18       | 69J-82563-00-00 | TRIM & TILT SWITCH ASSY     | 1        |         |
| 19       | 69J-42723-00-8D | COVER, BOTTOM               | 1        |         |
| 20       | 69J-82587-00-00 | GASKET                      | 2        |         |
| 21       | 63P-83614-00-00 | BRACKET                     | 2        |         |
| 22       | 90109-06M86-00  | BOLT                        | 4        |         |
| 23       | 6P2-82560-01-00 | THERMO SWITCH ASSY          | 1        |         |
| 24       | 6E9-82588-00-00 | PLATE                       | 1        |         |
| 25       | 90109-06M80-00  | BOLT                        | 1        |         |
| 26       | 63P-8366P-00-00 | BRACKET 4                   | 1        |         |
| 27       | 97095-06012-00  | BOLT                        | 1        |         |
| 28       | 92995-06600-00  | WASHER                      | 1        |         |
| 29       | 63P-82105-00-00 | BATTERY CABLE               | 1        | AP      |
| 30       | 97095-08016-00  | BOLT                        | 1        | AP      |
| 31       | 92995-08600-00  | WASHER                      | 1        | AP      |
| 32       | 68F-81949-00-00 | WIRE, LEAD (ISOLATOR CABLE) | 1        | AP      |

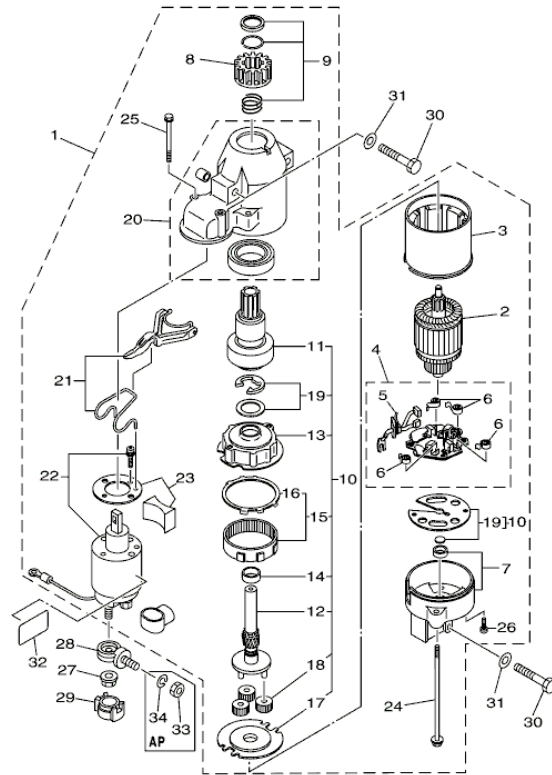
Part Notes

F150TXR 0408 / ELECTRICAL 3

| PART NUMBER    |   | NOTE TEXT   |
|----------------|---|---|
| 92995-06100-00 |  | OEM: This part number is among the Top 100 Most Popular Marine Maintenance Parts as of August 2013. |
| 92995-06100-00 |  | OEM: This part number is among the Top 100 Most Popular Marine Maintenance Parts as of August 2013. |
| 92990-10600-00 |  | OEM: This part number is among the Top 100 Most Popular Marine Maintenance Parts as of August 2013. |

©2013 Yamaha Motor Corporation, U.S.A. All rights reserved.

F150TXR 0408 / STARTING MOTOR



63P5110-G180

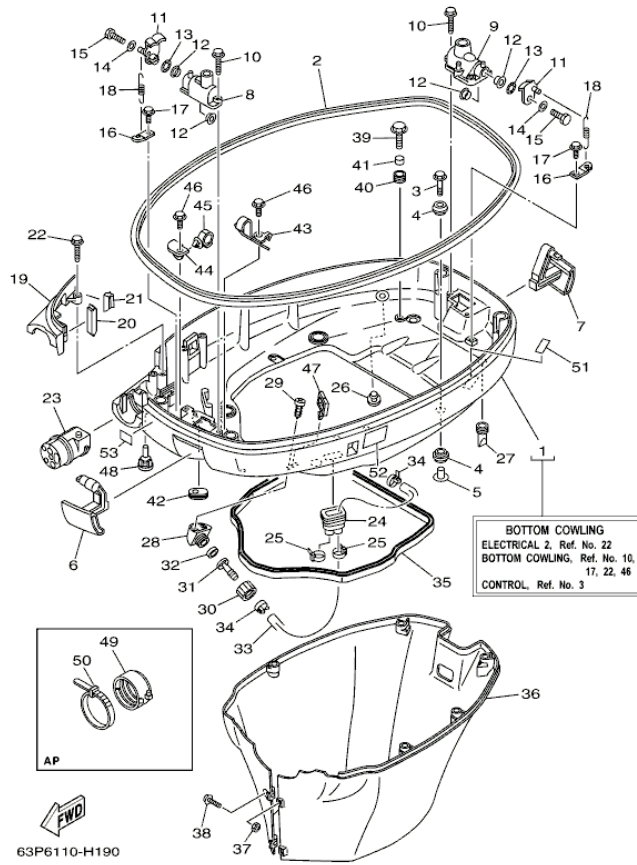
©2013 Yamaha Motor Corporation, U.S.A. All rights reserved.

## Part List

F150TXR 0408 / STARTING MOTOR

| REF<br>-<br>NO | PART<br>NUMBER  | PART NAME                     | QUANTITY | REMARKS |
|----------------|-----------------|-------------------------------|----------|---------|
| 1              | 6BR-81800-00-00 | STARTING MOTOR ASSY           | 1        |         |
| 2              | 67F-81850-00-00 | .ARMATURE ASSY                | 1        |         |
| 3              | 67F-81810-00-00 | .STATOR ASSY                  | 1        |         |
| 4              | 69J-81840-00-00 | .BRUSH HOLDER ASSY            | 1        |         |
| 5              | 69J-81801-00-00 | ..BRUSH SET                   | 1        |         |
| 6              | 67F-81813-00-00 | ..SPRING, BRUSH               | 4        |         |
| 7              | 67F-81820-00-00 | .REAR BRACKET ASSY            | 1        |         |
| 8              | 67F-81808-00-00 | .PINION ASSY                  | 1        |         |
| 9              | 67F-81857-00-00 | .PINION STOPPER SET           | 1        |         |
| 10             | 67F-81807-00-00 | .GEAR ASSY, STARTING<br>MOTOR | 1        |         |
| 11             | 67F-81832-00-00 | ..CLUTCH, OVER RUN            | 1        |         |
| 12             | 67F-81836-00-00 | ..SHAFT, PINION               | 1        |         |
| 13             | 67F-81821-00-00 | ..BRACKET, CENTER 1           | 1        |         |
| 14             | 67F-81841-00-00 | ..BEARING                     | 1        |         |
| 15             | 67F-81891-00-00 | ..GEAR, RING                  | 1        |         |
| 16             | 67F-8183R-00-00 | ...GASKET                     | 1        |         |
| 17             | 67F-81830-00-00 | ..BRACKET, CENTER 2           | 1        |         |
| 18             | 60V-8183T-00-00 | ..GEAR, IDLER                 | 3        |         |
| 19             | 67F-81809-00-00 | ..WASHER KIT                  | 1        |         |
| 20             | 69J-81842-00-00 | .COVER                        | 1        |         |
| 21             | 69J-81839-00-00 | .LEVER ASSY                   | 1        |         |
| 22             | 63P-81941-00-00 | .STARTER RELAY ASSY           | 1        |         |
| 23             | 69J-81869-00-00 | .COVER, DUST                  | 1        |         |
| 24             | 6K7-81826-11-00 | .BOLT                         | 2        |         |
| 25             | 69J-81828-00-00 | .SCREW 2                      | 2        |         |
| 26             | 67F-81846-00-00 | .SCREW                        | 2        |         |
| 27             | 90179-08003-00  | NUT                           | 1        |         |
| 28             | 60V-81925-00-00 | TERMINAL                      | 1        |         |
| 29             | 68F-82582-00-00 | COVER, WIRE HARNESS           | 1        |         |
| 30             | 97013-08045-00  | BOLT                          | 3        |         |
| 31             | 92903-08600-00  | WASHER, PLATE                 | 3        |         |
| 32             | 67F-83627-01-00 | LABEL, CAUTION 7              | 1        |         |
| 33             | 95333-08600-00  | NUT                           | 1        | AP      |
| 34             | 92903-08100-00  | WASHER, SPRING                | 1        | AP      |

F150TXR 0408 / BOTTOM COWLING



©2013 Yamaha Motor Corporation, U.S.A. All rights reserved.

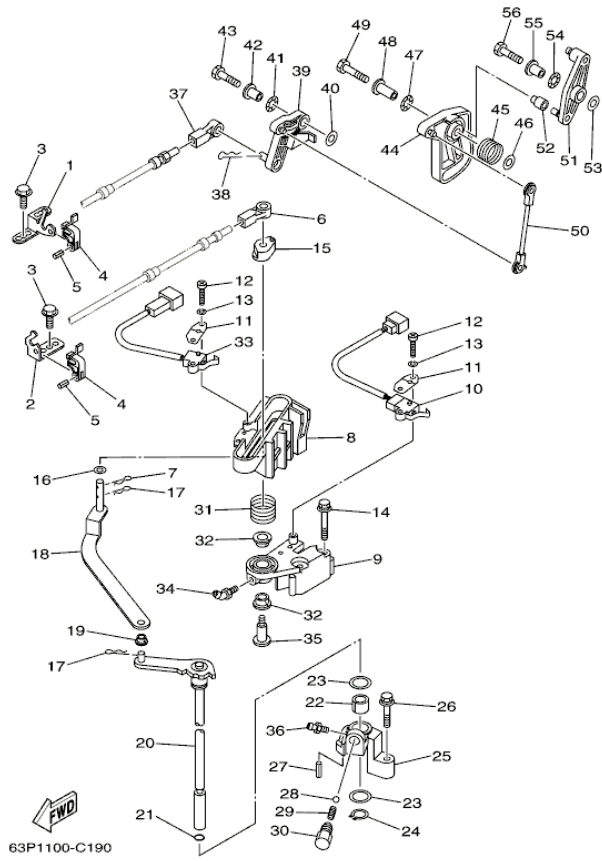
## Part List

F150TXR 0408 / BOTTOM COWLING

| REF<br>-<br>NO | PART<br>NUMBER  | PART NAME                | QUANTITY | REMARKS |
|----------------|-----------------|--------------------------|----------|---------|
| 1              | 63P-42710-01-8D | BOTTOM COWLING ASSY      | 1        |         |
| 2              | 63P-42615-00-00 | SEAL                     | 1        |         |
| 3              | 90119-08M22-00  | BOLT, WITH WASHER        | 4        |         |
| 4              | 90480-22M81-00  | GROMMET                  | 8        |         |
| 5              | 90387-08M37-00  | COLLAR                   | 4        |         |
| 6              | 63P-42815-00-8D | LEVER, CLAMP             | 1        |         |
| 7              | 63P-42816-00-8D | LEVER, CLAMP             | 1        |         |
| 8              | 68F-42828-03-8D | PLATE, CLAMP             | 1        |         |
| 9              | 63P-42828-00-8D | PLATE, CLAMP             | 1        |         |
| 10             | 90109-06M82-00  | BOLT                     | 4        |         |
| 11             | 63P-42818-01-00 | LEVER, CLAMP             | 2        |         |
| 12             | 90386-15M73-00  | BUSH                     | 4        |         |
| 13             | 90206-15M18-00  | WASHER, WAVE             | 2        |         |
| 14             | 90201-06068-00  | WASHER, PLATE            | 2        |         |
| 15             | 97095-06020-00  | BOLT                     | 2        |         |
| 16             | 64D-43144-00-00 | HOOK, SPRING             | 2        |         |
| 17             | 90109-06M86-00  | BOLT                     | 2        |         |
| 18             | 90506-16M34-00  | SPRING, TENSION          | 2        |         |
| 19             | 63P-42738-00-8D | PLATE, FITTING           | 1        |         |
| 20             | 63P-42717-00-00 | RUBBER, SEAL 2           | 1        |         |
| 21             | 63P-42718-00-00 | RUBBER, SEAL 3           | 1        |         |
| 22             | 90109-06M82-00  | BOLT                     | 2        |         |
| 23             | 63P-42725-00-00 | GROMMET                  | 1        |         |
| 24             | 6H1-42726-21-00 | GROMMET                  | 1        |         |
| 25             | 90465-11M10-00  | CLAMP                    | 2        |         |
| 26             | 6P2-44391-00-00 | NIPPLE, HOSE             | 1        |         |
| 27             | 61A-42717-00-00 | RUBBER, SEAL 2           | 4        |         |
| 28             | 68T-12572-00-00 | ADAPTER                  | 1        |         |
| 29             | 97780-60520-00  | SCREW, TAPPING           | 2        |         |
| 30             | 6R3-12581-00-00 | JOINT, HOSE 1            | 1        |         |
| 31             | 6R3-12582-00-00 | JOINT, HOSE 2            | 1        |         |
| 32             | 6R3-12583-00-00 | GASKET, HOSE JOINT       | 1        |         |
| 33             | 63P-42541-00-00 | PIPE 1                   | 1        |         |
| 34             | 90465-11M10-00  | CLAMP                    | 2        |         |
| 35             | 63P-42716-00-00 | RUBBER, SEAL 1           | 1        |         |
| 36             | 63P-42741-01-8D | APRON                    | 1        |         |
| 37             | 95380-06600-00  | NUT, HEXAGON             | 2        |         |
| 38             | 90159-06M28-00  | SCREW, WITH WASHER       | 2        |         |
| 39             | 90109-06M80-00  | BOLT                     | 4        |         |
| 40             | 90480-13M24-00  | GROMMET                  | 4        |         |
| 41             | 90387-06M43-00  | COLLAR                   | 4        |         |
| 42             | 61A-42727-00-00 | GROMMET                  | 1        |         |
| 43             | 63P-42811-01-00 | STAY                     | 1        |         |
| 44             | 63P-42756-00-00 | STAY, CLAMP              | 1        |         |
| 45             | 90464-20181-00  | CLAMP                    | 1        |         |
| 46             | 90109-06M86-00  | BOLT                     | 2        |         |
| 47             | 90464-23199-00  | CLAMP                    | 1        |         |
| 48             | 6H4-42748-00-00 | GROMMET                  | 2        |         |
| 49             | 68F-42753-00-00 | FASTNER                  | 1        | AP      |
| 50             | 90464-20258-00  | CLAMP                    | 1        | AP      |
| 51             | 67F-82377-00-00 | LABEL                    | 1        |         |
| 52             | 6AH-42794-40-00 | LABEL, WARNING (GENERAL) | 1        |         |
| 53             | 6AH-81996-00-00 | MARK                     | 1        |         |



F150TXR 0408 / CONTROL




©2013 Yamaha Motor Corporation, U.S.A. All rights reserved.

Part List *F150TXR 0408 / CONTROL*

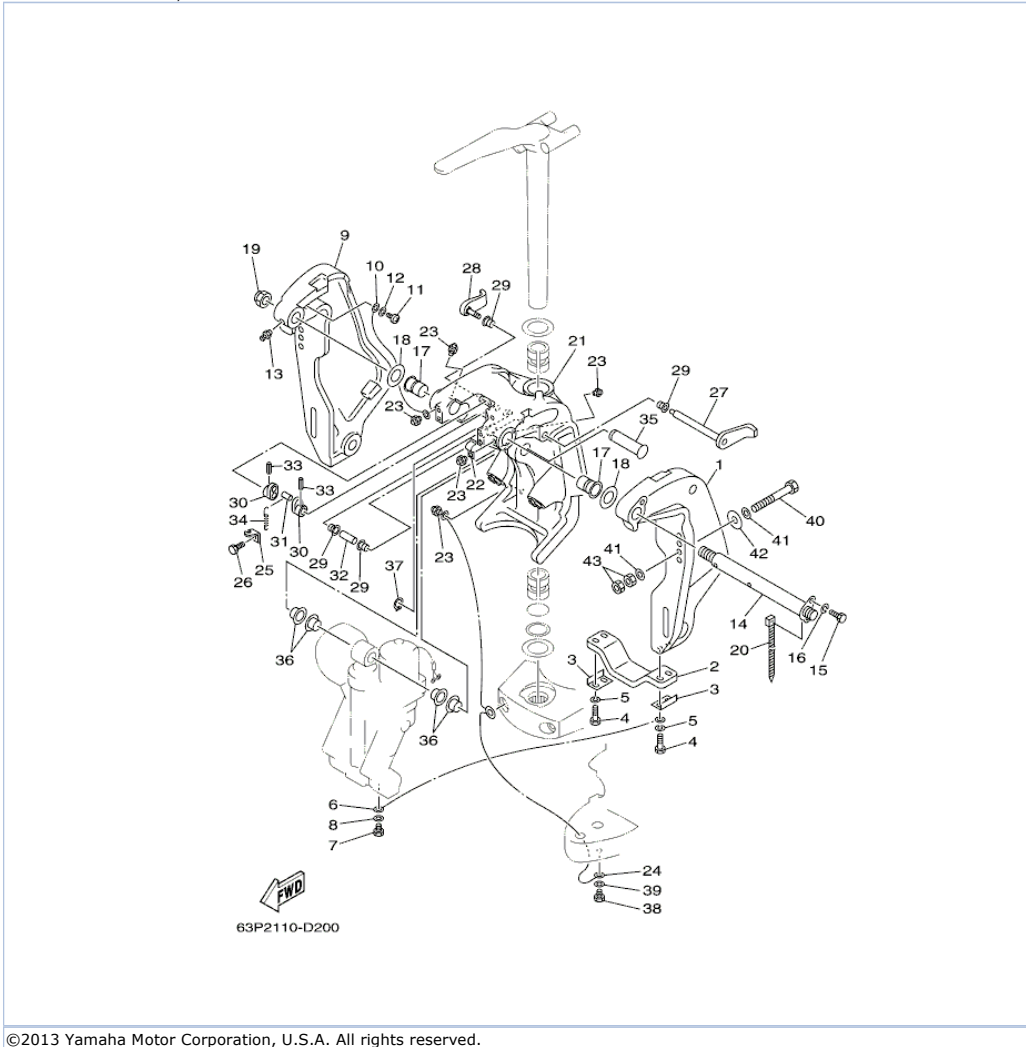
| REF - NO | PART NUMBER     | PART NAME                 | QUANTITY | REMARKS |
|----------|-----------------|---------------------------|----------|---------|
| 1        | 63P-48531-00-00 | BRACKET, REMOTE CONTROL 1 | 1        |         |
| 2        | 63P-48532-00-00 | BRACKET, REMOTE CONTROL 2 | 1        |         |
| 3        | 90109-06M86-00  | BOLT                      | 3        |         |
| 4        | 63P-48538-00-00 | CLAMP, CABLE 1            | 2        |         |
| 5        | 91690-30010-00  | PIN, SPRING               | 2        |         |
| 6        | 6E5-48344-00-00 | CABLE END, REMOTE CONTROL | 1        |         |
| 7        | 90468-18008-00  | CLIP                      | 1        |         |
| 8        | 63P-44176-00-94 | BRACKET                   | 1        |         |
| 9        | 63P-44117-00-94 | BRACKET                   | 1        |         |
| 10       | 69J-8259F-00-00 | SWITCH ASSY               | 1        |         |
| 11       | 61A-82588-01-00 | PLATE                     | 2        |         |
| 12       | 97885-04016-00  | SCREW, PAN HEAD           | 4        |         |
| 13       | 92995-04100-00  | WASHER                    | 4        |         |
| 14       | 97595-06550-00  | BOLT, WITH WASHER         | 2        |         |
| 15       | 63P-44122-00-00 | BUSHING, SHIFT ROD LEVER  | 1        |         |
| 16       | 90202-08M20-00  | WASHER, PLATE             | 1        |         |
| 17       | 90468-18008-00  | CLIP                      | 2        |         |
| 18       | 63P-44121-00-00 | LEVER, SHIFT ROD          | 1        |         |
| 19       | 90386-06M12-00  | BUSH                      | 1        |         |
| 20       | 63P-44120-00-00 | HANDLE GEAR SHIFT ASSY    | 1        |         |
| 21       | 93210-09165-00  | O-RING                    | 1        |         |
| 22       | 90386-16M66-00  | BUSH                      | 1        |         |
| 23       | 90202-16061-00  | WASHER, PLATE             | 2        |         |
| 24       | 93410-16006-00  | CIRCLIP                   | 1        |         |
| 25       | 63P-44118-00-94 | BRACKET                   | 1        |         |
| 26       | 97575-06535-00  | BOLT, WITH WASHER         | 1        |         |
| 27       | 91690-30010-00  | PIN, SPRING               | 1        |         |
| 28       | 93501-04M02-00  | BALL                      | 1        |         |
| 29       | 90501-12082-00  | SPRING, COMPRESSION       | 1        |         |
| 30       | 648-42715-00-00 | BUSHING                   | 1        |         |
| 31       | 90508-20M31-00  | SPRING, TORSION           | 1        |         |
| 32       | 90386-12069-00  | BUSH                      | 2        |         |
| 33       | 60V-8259F-00-00 | SWITCH ASSY               | 1        |         |
| 34       | 93700-06M01-00  | NIPPLE, GREASE            | 1        |         |
| 35       | 90109-08019-00  | BOLT                      | 1        |         |
| 36       | 93700-06M03-00  | NIPPLE, GREASE            | 1        |         |
| 37       | 6E5-48344-00-00 | CABLE END, REMOTE CONTROL | 1        |         |
| 38       | 90468-18008-00  | CLIP                      | 1        |         |
| 39       | 63P-42154-00-00 | LEVER, THROTTLE CONTROL   | 1        |         |
| 40       | 90201-06M31-00  | WASHER, PLATE             | 1        |         |
| 41       | 90206-10M04-00  | WASHER, WAVE              | 1        |         |
| 42       | 90387-06M29-00  | COLLAR                    | 1        |         |
| 43       | 97095-06025-00  | BOLT                      | 1        |         |
| 44       | 63P-41213-00-00 | CAM, ACCEL.               | 1        |         |
| 45       | 69J-44135-00-00 | SPRING                    | 1        |         |
| 46       | 90201-06M31-00  | WASHER, PLATE             | 1        |         |
| 47       | 90206-10M04-00  | WASHER, WAVE              | 1        |         |
| 48       | 90387-06M82-00  | COLLAR                    | 1        |         |
| 49       | 97095-06035-00  | BOLT                      | 1        |         |
| 50       | 63P-41237-00-00 | JOINT, LINK               | 1        |         |
| 51       | 63P-42157-00-00 | LEVER, THROTTLE           | 1        |         |
| 52       | 68V-42171-00-00 | BUSHING                   | 1        |         |
| 53       | 90201-06M31-00  | WASHER, PLATE             | 1        |         |
| 54       | 90206-10M04-00  | WASHER, WAVE              | 1        |         |
| 55       | 90387-06M29-00  | COLLAR                    | 1        |         |
| 56       | 97095-06025-00  | BOLT                      | 1        |         |

Part Notes *F150TXR 0408 / CONTROL*

| PART NUMBER  | NOTE TEXT   |
|--|---|
| 93700-06M03-00  | OEM: This part number is among the Top 100 Most Popular Marine Maintenance Parts as of August 2013. |

©2013 Yamaha Motor Corporation, U.S.A. All rights reserved.

F150TXR 0408 / BRACKET 1



©2013 Yamaha Motor Corporation, U.S.A. All rights reserved.





Part List

F150TXR 0408 / BRACKET 1

| REF - NO | PART NUMBER     | PART NAME              | QUANTITY | REMARKS |
|----------|-----------------|------------------------|----------|---------|
| 1        | 64E-43111-02-8D | BRACKET, CLAMP 1       | 1        |         |
| 2        | 6G5-45251-02-00 | ANODE                  | 1        |         |
| 3        | 6G5-44526-00-00 | PLATE                  | 2        |         |
| 4        | 97095-06030-00  | BOLT                   | 4        |         |
| 5        | 92995-06100-00  | WASHER, SPRING         | 4        |         |
| 6        | 6E5-82148-00-00 | WIRE, LEAD 4           | 1        |         |
| 7        | 97095-06010-00  | BOLT                   | 1        |         |
| 8        | 92995-06600-00  | WASHER                 | 1        |         |
| 9        | 64E-43112-02-8D | BRACKET, CLAMP 2       | 1        |         |
| 10       | 6E5-82148-00-00 | WIRE, LEAD 4           | 1        |         |
| 11       | 97885-06012-00  | SCREW, PAN HEAD        | 1        |         |
| 12       | 92995-06600-00  | WASHER                 | 1        |         |
| 13       | 93700-06M03-00  | NIPPLE, GREASE         | 1        |         |
| 14       | 64E-43131-10-00 | BOLT, CLAMP BRACKET    | 1        |         |
| 15       | 97095-08020-00  | BOLT                   | 1        |         |
| 16       | 92995-08100-00  | WASHER                 | 1        |         |
| 17       | 90386-25M31-00  | BUSH                   | 2        |         |
| 18       | 90201-26M59-00  | WASHER, PLATE          | 2        |         |
| 19       | 90185-22007-00  | NUT, SELF-LOCKING      | 1        |         |
| 20       | 90465-11M10-00  | CLAMP                  | 1        |         |
| 21       | 64E-43311-10-8D | BRACKET, SWIVEL 1      | 1        |         |
| 22       | 90465-08M63-00  | CLAMP                  | 1        |         |
| 23       | 93700-06M03-00  | NIPPLE, GREASE         | 5        |         |
| 24       | 66K-82149-00-00 | WIRE, LEAD 3           | 1        |         |
| 25       | 6G5-43144-00-00 | HOOK, SPRING           | 1        |         |
| 26       | 97095-06010-00  | BOLT                   | 1        |         |
| 27       | 6G5-43181-10-00 | LEVER, TILT STOP       | 1        |         |
| 28       | 6G5-43185-10-00 | LEVER, TILT STOP       | 1        |         |
| 29       | 90386-10M16-00  | BUSH                   | 4        |         |
| 30       | 6G5-43148-00-00 | COLLAR, DISTANCE       | 2        |         |
| 31       | 90249-06M19-00  | PIN                    | 1        |         |
| 32       | 90387-10M05-00  | COLLAR                 | 1        |         |
| 33       | 91690-30020-00  | PIN, SPRING            | 2        |         |
| 34       | 90506-16003-00  | SPRING, TENSION        | 1        |         |
| 35       | 64E-43126-00-00 | PIN, UPPER SHOCK MOUNT | 1        |         |
| 36       | 90386-22M98-00  | BUSH                   | 4        |         |
| 37       | 93410-22M11-00  | CIRCLIP                | 1        |         |
| 38       | 97095-06010-00  | BOLT                   | 1        |         |
| 39       | 92995-06600-00  | WASHER                 | 1        |         |
| 40       | 90101-12M77-00  | BOLT (L:150MM)         | 2        | UR      |
| 40       | 90101-12M05-00  | BOLT (L:130MM)         | 4        | UR      |
| 41       | 90201-13M01-00  | WASHER, PLATE          | 8        |         |
| 42       | 90201-12M05-00  | WASHER, PLATE          | 4        |         |
| 43       | 95380-12600-00  | NUT                    | 8        |         |

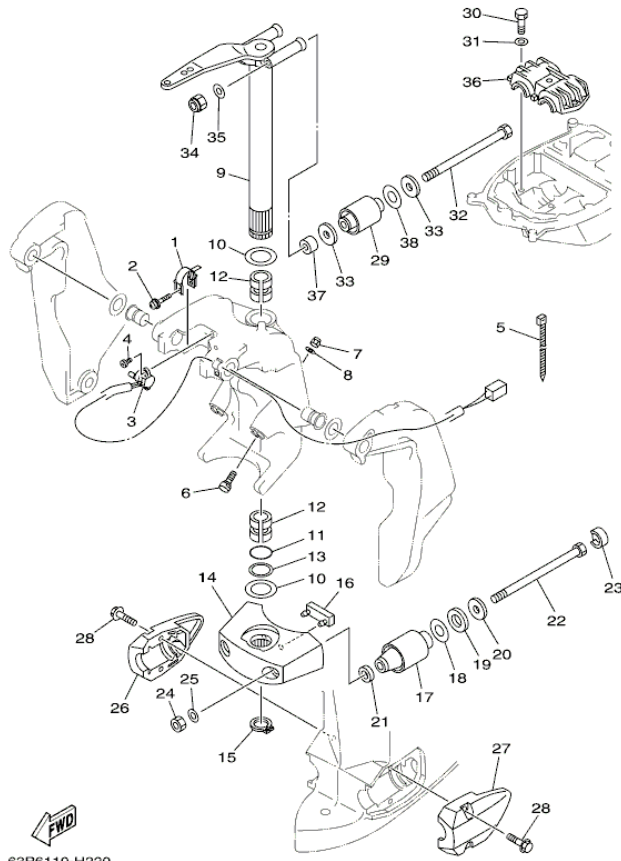
Part Notes

F150TXR 0408 / BRACKET 1

| PART NUMBER   | NOTE TEXT   |
|---|---|
| 6G5-45251-02-00  | OEM: This part number is among the Top 100 Most Popular Marine Maintenance Parts as of August 2013. |
| 92995-06100-00   | OEM: This part number is among the Top 100 Most Popular Marine Maintenance Parts as of August 2013. |
| 93700-06M03-00   | OEM: This part number is among the Top 100 Most Popular Marine Maintenance Parts as of August 2013. |
| 93700-06M03-00   | OEM: This part number is among the Top 100 Most Popular Marine Maintenance Parts as of August 2013. |

©2013 Yamaha Motor Corporation, U.S.A. All rights reserved.

F150TXR 0408 / BRACKET 2



63P6110-H220

©2013 Yamaha Motor Corporation, U.S.A. All rights reserved.

## Part List

F150TXR 0408 / BRACKET 2

| REF<br>-<br>NO | PART<br>NUMBER  | PART NAME                        | QUANTITY | REMARKS  |
|----------------|-----------------|----------------------------------|----------|----------|
| 1              | 64E-43139-10-00 | CAM, TRIM SENDER                 | 1        |          |
| 2              | 90159-05059-00  | SCREW, WITH WASHER               | 1        |          |
| 3              | 67H-83672-00-00 | TRIM SENDER                      | 1        |          |
| 4              | 97885-06016-00  | SCREW, PAN HEAD                  | 2        |          |
| 5              | 90465-11M10-00  | CLAMP                            | 3        |          |
| 6              | 63P-43376-00-00 | BOLT, THRUST RECEIVER            | 2        |          |
| 7              | 95780-10300-00  | NUT, FLANGE                      | 2        |          |
| 8              | 92995-10600-00  | WASHER                           | 2        |          |
| 9              | 66K-42510-02-8D | STEERING BRACKET ASSY            | 1        |          |
| 10             | 90201-38M60-00  | WASHER, PLATE                    | 2        |          |
| 11             | 93210-37MH7-00  | O-RING                           | 1        |          |
| 12             | 90386-38M32-00  | BUSH                             | 2        |          |
| 13             | 90202-40M47-00  | WASHER, PLATE                    | 1        |          |
| 14             | 68V-44551-00-8D | HOUSING, LOWER MOUNT<br>RUBBER 1 | 1        |          |
| 15             | 93410-37M04-00  | CIRCLIP                          | 1        |          |
| 16             | 61A-44575-00-00 | DAMPER, LOWER MOUNT<br>RUBBER    | 1        |          |
| 17             | 63P-44555-00-94 | MOUNT DAMPER, LOWER<br>SIDE      | 2        | X(25.3") |
| 18             | 90201-35008-00  | WASHER, PLATE                    | 2        |          |
| 19             | 90202-32M19-00  | WASHER, PLATE                    | 2        |          |
| 20             | 90201-16M55-00  | WASHER, PLATE                    | 2        |          |
| 21             | 90201-15M58-00  | WASHER, PLATE                    | 2        |          |
| 22             | 90109-14007-00  | BOLT                             | 2        |          |
| 23             | 69J-44533-00-00 | DAMPER, UPPER MOUNT<br>RUBBER    | 2        |          |
| 24             | 95380-14600-00  | NUT                              | 2        |          |
| 25             | 92995-14600-00  | WASHER                           | 2        |          |
| 26             | 63P-44553-00-8D | COVER, LOWER MOUNT               | 1        |          |
| 27             | 63P-44556-00-8D | COVER, LOWER MOUNT 2             | 1        |          |
| 28             | 90119-10049-00  | BOLT, WITH WASHER                | 4        |          |
| 29             | 63P-44514-00-94 | MOUNT DAMPER, UPPER<br>SIDE      | 2        |          |
| 30             | 97075-10045-00  | BOLT                             | 3        |          |
| 31             | 92995-10600-00  | WASHER                           | 3        |          |
| 32             | 90109-14005-00  | BOLT                             | 2        |          |
| 33             | 90201-16M01-00  | WASHER, PLATE                    | 4        |          |
| 34             | 90185-14M00-00  | NUT, SELF-LOCKING                | 2        |          |
| 35             | 92995-14600-00  | WASHER                           | 2        |          |
| 36             | 63P-44511-00-94 | COVER, UPPER MOUNT               | 1        |          |
| 37             | 90387-14004-00  | COLLAR                           | 2        |          |
| 38             | 90202-28001-00  | WASHER, PLATE                    | 2        |          |







Part List

F150TXR 0408 / POWER TRIM TILT ASSY 1

| REF - NO | PART NUMBER     | PART NAME                 | QUANTITY | REMARKS |
|----------|-----------------|---------------------------|----------|---------|
| 1        | 63P-43800-02-8D | POWER TRIM & TILT ASSY    | 1        |         |
| 2        | 64E-43825-02-00 | HOUSING, TRIM & TILT      | 1        |         |
| 3        | 64E-4388J-00-00 | PLUG 2                    | 1        |         |
| 4        | 93210-10M74-00  | O-RING                    | 1        |         |
| 5        | 64E-43817-00-00 | FILTER 2                  | 1        |         |
| 6        | 63P-43810-01-00 | TILT PISTON SUB ASSY      | 1        |         |
| 7        | 64E-43811-01-00 | .SCREW, CYLINDER END      | 1        |         |
| 8        | 64E-43898-00-00 | .SEAL, DUST 2             | 1        |         |
| 9        | 64E-43867-00-00 | .O-RING                   | 1        |         |
| 10       | 64E-43866-00-00 | .O-RING                   | 1        |         |
| 11       | 6E5-43862-00-00 | .O-RING                   | 1        |         |
| 12       | 64E-43883-00-00 | .O-RING                   | 1        |         |
| 13       | 6E5-43872-00-00 | RING, BACK UP             | 1        |         |
| 14       | 6E5-43814-02-00 | PISTON, FREE              | 1        |         |
| 15       | 6E5-43862-00-00 | O-RING                    | 1        |         |
| 16       | 64E-43820-01-00 | PISTON SUB ASSEMBLY       | 2        |         |
| 17       | 64E-43821-01-00 | .SCREW, TRIM CYLINDER END | 1        |         |
| 18       | 64E-43822-00-00 | .SEAL, TRIM DUST          | 1        |         |
| 19       | 64E-4384J-00-00 | .SEAL, TRIM DOWN          | 1        |         |
| 20       | 6G5-43864-00-00 | .O-RING                   | 1        |         |
| 21       | 6E5-43864-00-00 | O-RING                    | 2        |         |
| 22       | 6E5-43874-01-00 | RING, BACK UP             | 2        |         |
| 23       | 64E-43828-00-00 | BODY, RESERVOIR           | 1        |         |
| 24       | 64E-43829-00-00 | PLUG, RESERVOIR           | 1        |         |
| 25       | 64E-43897-00-00 | O-RING                    | 1        |         |
| 26       | 64E-4388E-00-00 | BOLT ,SCREW (L:14MM)      | 3        |         |
| 27       | 64E-43869-00-00 | O-RING                    | 6        |         |
| 28       | 64E-4381G-00-00 | PIN                       | 1        |         |
| 29       | 6E5-43858-00-00 | BALL                      | 1        |         |
| 30       | 64E-4382G-00-00 | VALVE, SEAT               | 1        |         |
| 31       | 90201-10060-00  | WASHER, PLATE             | 2        |         |
| 32       | 97575-10530-00  | BOLT, WITH WASHER         | 2        |         |
| 33       | 6BC-43818-00-00 | PIN, LOWER SHOCK MOUNT    | 1        |         |
| 34       | 90386-22M98-00  | BUSH                      | 2        |         |

Part Notes

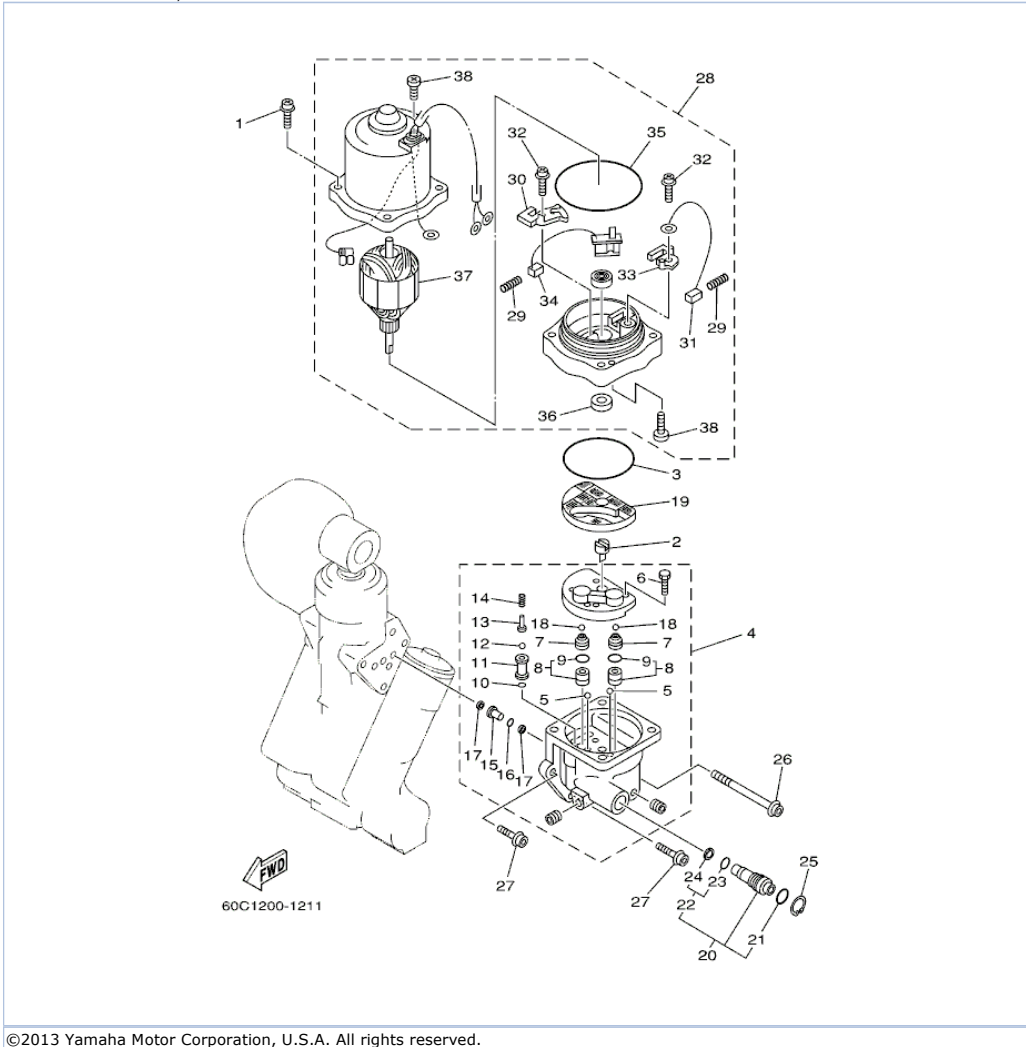
F150TXR 0408 / POWER TRIM TILT ASSY 1

| PART NUMBER   | NOTE TEXT   |
|---|---|
| 64E-43822-00-00  | OEM: This part number is among the Top 100 Most Popular Marine Maintenance Parts as of August 2013. |
| 64E-4384J-00-00  | OEM: This part number is among the Top 100 Most Popular Marine Maintenance Parts as of August 2013. |
| 6G5-43864-00-00  | OEM: This part number is among the Top 100 Most Popular Marine Maintenance Parts as of August 2013. |
| 64E-43869-00-00  | OEM: This part number is among the Top 100 Most Popular Marine Maintenance Parts as of August 2013. |

©2013 Yamaha Motor Corporation, U.S.A. All rights reserved.



F150TXR 0408 / POWER TRIM TILT ASSY 2



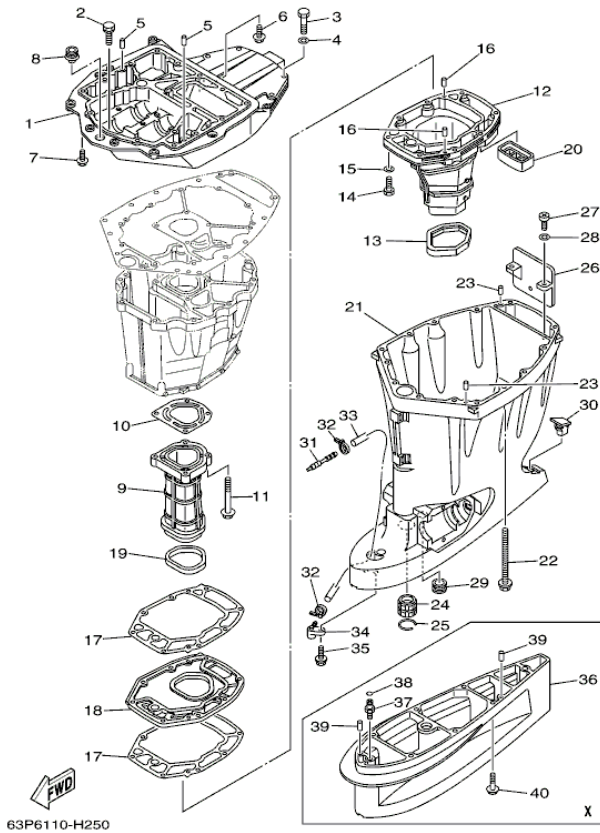
©2013 Yamaha Motor Corporation, U.S.A. All rights reserved.

## Part List

F150TXR 0408 / POWER TRIM TILT ASSY 2

| REF<br>-<br>NO | PART<br>NUMBER  | PART NAME               | QUANTITY | REMARKS |
|----------------|-----------------|-------------------------|----------|---------|
| 1              | 64E-4388E-10-00 | BOLT ,SCREW (L:14MM)    | 4        |         |
| 2              | 64E-43831-00-00 | CONNECTOR, SHAFT        | 1        |         |
| 3              | 64E-43868-00-00 | O-RING                  | 1        |         |
| 4              | 64E-43830-00-00 | GEAR PUMP ASSY          | 1        |         |
| 5              | 72X-43858-00-00 | .BALL                   | 2        |         |
| 6              | 64E-43843-00-00 | .SCREW, VALVE LOCK      | 4        |         |
| 7              | 64E-43841-00-00 | .PISTON, SHUTTLE        | 2        |         |
| 8              | 64E-43802-00-00 | .VALVE SUB ASSY         | 2        |         |
| 9              | 6E5-43896-00-00 | ..O-RING                | 1        |         |
| 10             | 6G5-43863-00-00 | .O-RING                 | 1        |         |
| 11             | 64E-43851-00-00 | .SEAT, RELIEF VALVE     | 1        |         |
| 12             | 64E-43858-00-00 | .BALL                   | 1        |         |
| 13             | 64E-43859-00-00 | .PIN, VALVE SUPPORT     | 1        |         |
| 14             | 64E-43855-00-00 | .SPRING, UP RELIEF      | 1        |         |
| 15             | 64E-43850-00-00 | .VALVE SUB ASSY         | 1        |         |
| 16             | 64E-43865-00-00 | .O-RING                 | 1        |         |
| 17             | 64E-43816-00-00 | .FILTER 1               | 2        |         |
| 18             | 64E-43858-00-00 | .BALL                   | 2        |         |
| 19             | 64E-43817-10-00 | FILTER 2                | 1        |         |
| 20             | 64E-43860-00-00 | MANUAL VALVE SUB-ASSY   | 1        |         |
| 21             | 72X-85075-L0-00 | .O-RING                 | 1        |         |
| 22             | 64E-43827-00-00 | .RING SET               | 1        |         |
| 23             | 64E-4387A-00-00 | ..O-RING                | 1        |         |
| 24             | 64E-43873-00-00 | ..RING, BACK UP         | 1        |         |
| 25             | 64E-43875-00-00 | RING, SNAP              | 1        |         |
| 26             | 64E-43879-10-00 | SCREW, WITH WASHER      | 1        |         |
| 27             | 64E-43879-00-00 | SCREW, WITH WASHER      | 2        |         |
| 28             | 67H-43880-02-00 | MOTOR ASSY              | 1        |         |
| 29             | 6H1-4386K-10-00 | .SPRING, BRUSH          | 2        |         |
| 30             | 64E-4380J-00-00 | .HOLDER, BRUSH          | 1        |         |
| 31             | 64E-43891-00-00 | .BRUSH 1                | 1        |         |
| 32             | 97607-04310-00  | .SCREW,WITH WASHER      | 2        |         |
| 33             | 64E-4380F-00-00 | .HOLDER, BRUSH 2        | 1        |         |
| 34             | 64E-43892-00-00 | .BREAKER COMP (BRUSH 2) | 1        |         |
| 35             | 6G5-43865-00-00 | .O-RING                 | 1        |         |
| 36             | 93102-08M43-00  | .OIL SEAL               | 1        |         |
| 37             | 64E-43805-00-00 | .ARMATURE ASSY          | 1        |         |
| 38             | 64E-43843-10-00 | .SCREW, VALVE LOCK      | 3        |         |

F150TXR 0408 / UPPER CASING



63P6110-H250




## Part List

F150TXR 0408 / UPPER CASING

| REF - NO | PART NUMBER     | PART NAME                   | QUANTITY | REMARKS  |
|----------|-----------------|-----------------------------|----------|----------|
| 1        | 63P-41137-01-CA | GUIDE, EXHAUST              | 1        |          |
| 2        | 90119-08M79-00  | BOLT, WITH WASHER           | 2        |          |
| 3        | 97075-10045-00  | BOLT                        | 4        |          |
| 4        | 92995-10600-00  | WASHER                      | 4        |          |
| 5        | 93608-16M16-00  | PIN, DOWEL                  | 2        |          |
| 6        | 90119-08M58-00  | BOLT, WITH WASHER           | 3        |          |
| 7        | 97575-10535-00  | BOLT, WITH WASHER           | 4        |          |
| 8        | 6E5-42724-00-00 | GROMMET                     | 1        |          |
| 9        | 63P-41131-01-9S | MANIFOLD, EXT. 1            | 1        |          |
| 10       | 63P-41133-A0-00 | .GASKET, EXHAUST MANIFOLD 1 | 1        |          |
| 11       | 97575-08560-00  | BOLT, WITH WASHER           | 4        |          |
| 12       | 63P-14711-01-9S | MUFFLER 1                   | 1        |          |
| 13       | 69J-45123-00-00 | .GASKET, MUFFLER            | 1        |          |
| 14       | 97075-08035-00  | BOLT                        | 8        |          |
| 15       | 92995-08600-00  | WASHER                      | 8        |          |
| 16       | 93606-19M23-00  | PIN, DOWEL                  | 2        |          |
| 17       | 63P-41134-A0-00 | .GASKET, EXHAUST MANIFOLD   | 2        |          |
| 18       | 63P-45181-01-9S | PLATE                       | 1        |          |
| 19       | 63P-41138-00-00 | .SEAL, EXT. 1               | 1        |          |
| 20       | 69J-45127-00-00 | .SEAL                       | 1        |          |
| 21       | 63P-45111-00-8D | CASING, UPPER               | 1        |          |
| 22       | 90119-10007-00  | BOLT, WITH WASHER           | 8        |          |
| 23       | 93608-16M16-00  | PIN, DOWEL                  | 2        |          |
| 24       | 6E5-45318-00-00 | BUSHING, DRIVE SHAFT        | 1        |          |
| 25       | 93420-36M01-00  | CIRCLIP                     | 1        |          |
| 26       | 69J-14624-01-00 | COVER, EXHAUST              | 1        |          |
| 27       | 97880-06016-00  | SCREW, PAN HEAD             | 2        |          |
| 28       | 92990-06600-00  | WASHER, PLATE               | 2        |          |
| 29       | 6E5-44366-00-00 | DAMPER, WATER SEAL 2        | 1        |          |
| 30       | 6C5-45155-00-00 | CAP                         | 1        |          |
| 31       | 6E5-83558-00-00 | END, NIPPLE                 | 1        |          |
| 32       | 90465-11M10-00  | CLAMP                       | 2        |          |
| 33       | 90445-070F1-00  | HOSE (L950)                 | 1        |          |
| 34       | 63P-45379-00-00 | NIPPLE, HOSE                | 1        |          |
| 35       | 90119-06M18-00  | BOLT, WITH WASHER           | 1        |          |
| 36       | 63P-45211-00-8D | EXTENSION                   | 1        | X(25.3") |
| 37       | 63P-45378-00-00 | NIPPLE, HOSE                | 1        | X(25.3") |
| 38       | 93210-07003-00  | O-RING                      | 1        | X(25.3") |
| 39       | 93608-16M16-00  | PIN, DOWEL                  | 2        | X(25.3") |
| 40       | 90119-10038-00  | BOLT, WITH WASHER           | 6        | X(25.3") |

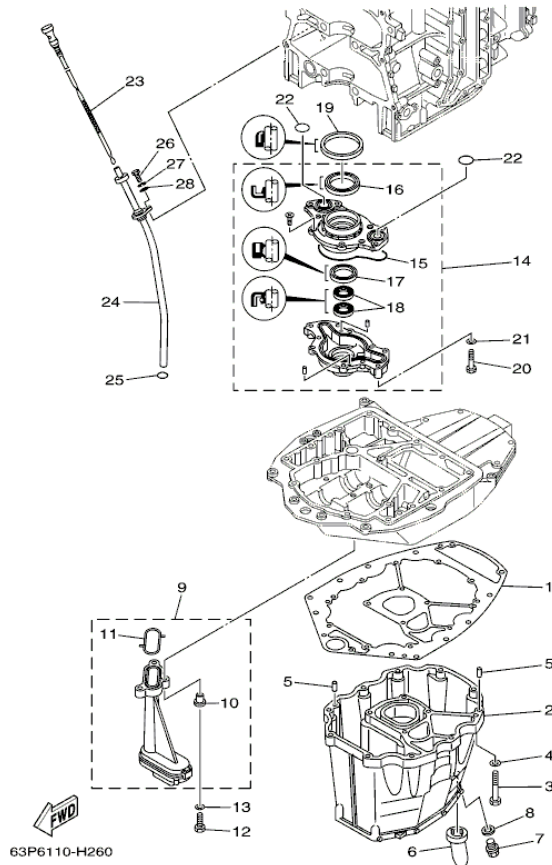
## Part Notes

F150TXR 0408 / UPPER CASING

| PART NUMBER     | NOTE TEXT  |
|-----------------|--|
| 69J-45123-00-00 |  OEM: If you are replacing damaged exhaust components on a 3.1L V6 Fourstroke, two kits have been developed to make choosing and ordering the correct parts easier. Ordering either MAR-EXHKT-03-00 (EXH KIT F200-225 for 2002-2003 models) or MAR-EXHKT-04-00 (EXH KIT F200-250 2004 models and up) will get you everything needed to rebuild the entire exhaust system. |
| 69J-45127-00-00 |  OEM: If you are replacing damaged exhaust components on a 3.1L V6 Fourstroke, two kits have been developed to make choosing and ordering the correct parts easier. Ordering either MAR-EXHKT-03-00 (EXH KIT F200-225 for 2002-2003 models) or MAR-EXHKT-04-00 (EXH KIT F200-250 2004 models and up) will get you everything needed to rebuild the entire exhaust system. |
| 92990-06600-00  |  OEM: This part number is among the Top 100 Most Popular Marine Maintenance Parts as of August 2013.  |

©2013 Yamaha Motor Corporation, U.S.A. All rights reserved.

F150TXR 0408 / OIL PAN



©2013 Yamaha Motor Corporation, U.S.A. All rights reserved.



Part List

F150TXR 0408 / OIL PAN

| REF - NO | PART NUMBER     | PART NAME            | QUANTITY | REMARKS |
|----------|-----------------|----------------------|----------|---------|
| 1        | 63P-15312-00-00 | .GASKET, OIL PAN     | 1        |         |
| 2        | 63P-15311-01-CA | OIL PAN              | 1        |         |
| 3        | 97075-08035-00  | BOLT                 | 10       |         |
| 4        | 92995-08600-00  | WASHER               | 10       |         |
| 5        | 93608-16M16-00  | PIN, DOWEL           | 2        |         |
| 6        | 63P-15316-00-00 | DAMPER 1             | 1        |         |
| 7        | 90340-14M06-00  | PLUG, STRAIGHT SCREW | 1        |         |
| 8        | 90430-14M09-00  | .GASKET              | 1        |         |
| 9        | 63P-13411-00-00 | STRAINER, OIL        | 1        |         |
| 10       | 90387-06M64-00  | .COLLAR              | 3        |         |
| 11       | 63P-13415-00-00 | .SEAL, OIL STRAINER  | 1        |         |
| 12       | 97027-06025-00  | BOLT, HEXAGON        | 3        |         |
| 13       | 92907-06600-00  | WASHER, PLATE        | 3        |         |
| 14       | 63P-13300-01-00 | OIL PUMP ASSY        | 1        |         |
| 15       | 63P-13329-00-00 | .GASKET, PUMP COVER  | 1        |         |
| 16       | 69J-13338-00-00 | .OIL SEAL            | 1        |         |
| 17       | 6AW-13119-00-00 | .OIL SEAL            | 1        |         |
| 18       | 69J-13631-00-00 | .OIL SEAL            | 2        |         |
| 19       | 69J-11355-00-00 | .SEAL, CYLINDER 1    | 1        |         |
| 20       | 97095-06040-00  | .BOLT                | 4        |         |
| 21       | 92995-06600-00  | WASHER               | 4        |         |
| 22       | 93210-25552-00  | O-RING               | 2        |         |
| 23       | 63P-15362-00-00 | PLUG, OIL LEVEL      | 1        |         |
| 24       | 63P-15377-00-00 | GUIDE, INLET         | 1        |         |
| 25       | 93210-19MJ3-00  | .O-RING              | 1        |         |
| 26       | 97095-06020-00  | BOLT                 | 1        |         |
| 27       | 92995-06100-00  | WASHER, SPRING       | 1        |         |
| 28       | 92995-06600-00  | WASHER               | 1        |         |

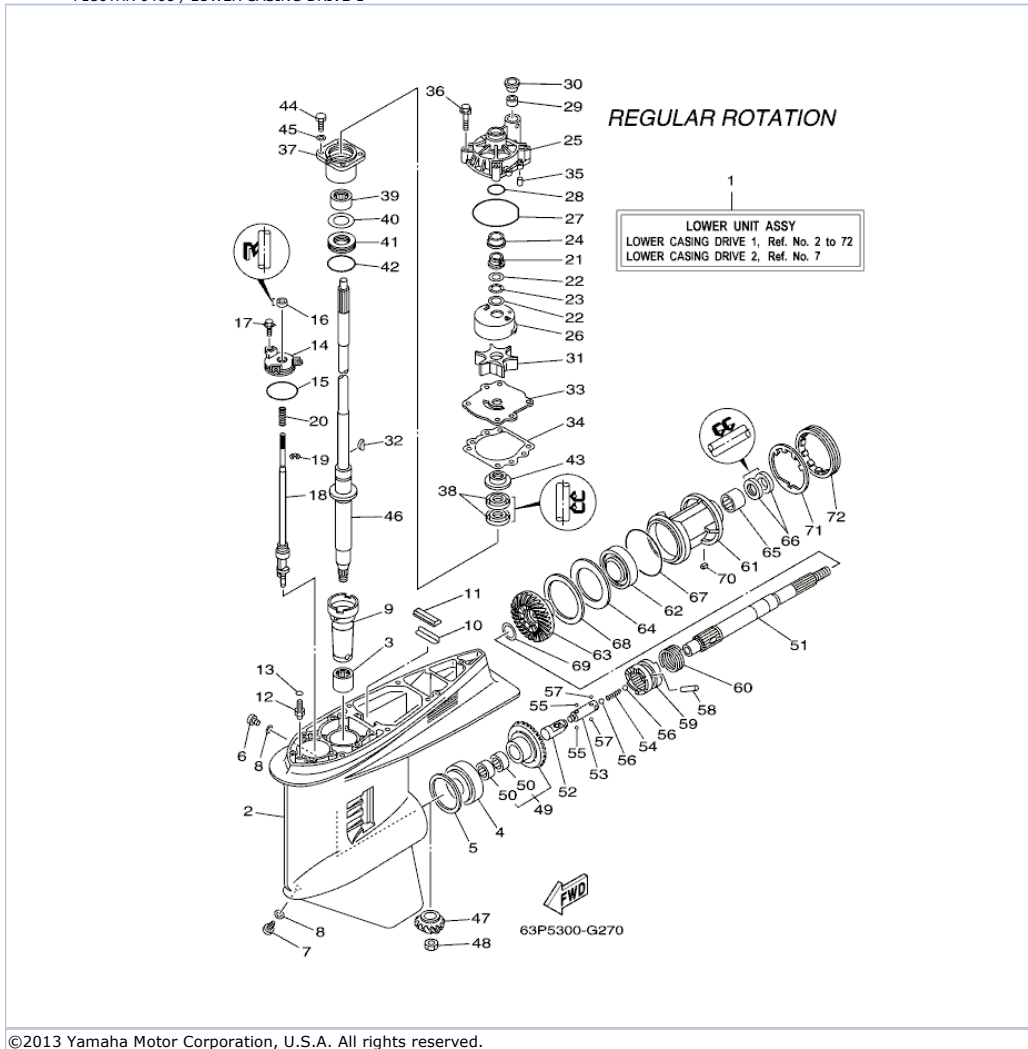
Part Notes

F150TXR 0408 / OIL PAN

| PART NUMBER  | NOTE TEXT   |
|--|---|
| 90430-14M09-00  | OEM: This part number is among the Top 100 Most Popular Marine Maintenance Parts as of August 2013. |
| 92995-06100-00  | OEM: This part number is among the Top 100 Most Popular Marine Maintenance Parts as of August 2013. |

©2013 Yamaha Motor Corporation, U.S.A. All rights reserved.

F150TXR 0408 / LOWER CASING DRIVE 1



## Part List

F150TXR 0408 / LOWER CASING DRIVE 1










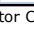
| REF<br>-<br>NO | PART<br>NUMBER  | PART NAME                    | QUANTITY | REMARKS     |
|----------------|-----------------|------------------------------|----------|-------------|
| 1              | 63P-45300-12-8D | LOWER UNIT ASSY              | 1        | X(25.3"),RH |
| 2              | 63P-45301-05-8D | CASING, LOWER                | 1        |             |
| 3              | 93311-928U5-00  | BEARING                      | 1        |             |
| 4              | 93332-000V3-00  | BEARING                      | 1        |             |
| 5              | 6G5-45567-01-00 | SHIM (T:0.10MM)              | 1        | UR          |
| 5              | 6G5-45567-10-00 | SHIM (T:0.12MM)              | 1        | UR          |
| 5              | 6G5-45567-20-00 | SHIM (T:0.15MM)              | 1        | UR          |
| 5              | 6G5-45567-60-00 | SHIM (T:0.50MM)              | 1        | UR          |
| 5              | 6G5-45567-40-00 | SHIM (T:0.30MM)              | 1        | UR          |
| 5              | 6G5-45567-50-00 | SHIM (T:0.40MM)              | 1        | UR          |
| 5              | 6G5-45567-30-00 | SHIM (T:0.18MM)              | 1        | UR          |
| 6              | 90340-08002-00  | PLUG, STRAIGHT SCREW         | 1        |             |
| 7              | 688-45341-10-00 | PLUG, DRAIN                  | 1        |             |
| 8              | 90430-08020-00  | .GASKET                      | 2        |             |
| 9              | 6G5-45536-01-00 | SLEEVE, DRIVE SHAFT          | 1        |             |
| 10             | 663-45376-00-94 | GUIDE, SEAL DAMPER           | 1        |             |
| 11             | 688-45375-00-00 | DAMPER, SEAL                 | 1        |             |
| 12             | 63P-45378-00-00 | NIPPLE, HOSE                 | 1        |             |
| 13             | 93210-07003-00  | O-RING                       | 1        |             |
| 14             | 6E5-45321-00-00 | PLATE                        | 1        |             |
| 15             | 93210-58144-00  | .O-RING                      | 1        |             |
| 16             | 93106-09014-00  | .OIL SEAL                    | 1        |             |
| 17             | 90119-06M10-00  | BOLT, WITH WASHER            | 3        |             |
| 18             | 63P-44150-10-00 | SHIFT CAM ASSY               | 1        | X(25.3"),RH |
| 19             | 99001-08600-00  | CIRCLIP                      | 1        |             |
| 20             | 90501-11M10-00  | SPRING, COMPRESSION          | 1        |             |
| 21             | 61A-45538-00-00 | SPACER 1                     | 1        |             |
| 22             | 90201-22M01-00  | WASHER, PLATE                | 2        |             |
| 23             | 90206-22M19-00  | WASHER, WAVE                 | 1        |             |
| 24             | 61A-45527-00-00 | COLLAR, DRIVE SHAFT          | 1        |             |
| 25             | 61A-44311-01-00 | HOUSING, WATER PUMP          | 1        |             |
| 26             | 61A-44322-02-00 | .INSERT, CARTRIDGE           | 1        |             |
| 27             | 93210-86M38-00  | .O-RING                      | 1        |             |
| 28             | 93210-37160-00  | .O-RING                      | 1        |             |
| 29             | 6E5-44365-00-00 | DAMPER, WATER SEAL 1         | 1        |             |
| 30             | 6E5-44312-00-00 | COVER, WATER PUMP<br>HOUSING | 1        |             |
| 31             | 6E5-44352-01-00 | .IMPELLER                    | 1        |             |
| 32             | 90280-04M05-00  | .KEY, WOODRUFF               | 1        |             |
| 33             | 6G5-44323-00-00 | .OUTER PLATE, CARTRIDGE      | 1        |             |
| 34             | 6E5-44315-A0-00 | .GASKET, WATER PUMP          | 1        |             |
| 35             | 93606-12019-00  | .PIN, DOWEL                  | 2        |             |
| 36             | 90119-08M14-00  | .BOLT, WITH WASHER           | 4        |             |
| 37             | 6E5-45331-00-9S | HOUSING, BEARING             | 1        |             |
| 38             | 93101-28M16-00  | .OIL SEAL                    | 2        |             |
| 39             | 93317-330U2-00  | BEARING                      | 1        |             |
| 40             | 6E5-45587-01-00 | SHIM (T:0.10MM)              | 1        | UR          |
| 40             | 6E5-45587-10-00 | SHIM (T:0.12MM)              | 1        | UR          |
| 40             | 6E5-45587-20-00 | SHIM (T:0.15MM)              | 1        | UR          |
| 40             | 6E5-45587-60-00 | SHIM (T:0.50MM)              | 1        | UR          |
| 40             | 6E5-45587-40-00 | SHIM (T:0.30MM)              | 1        | UR          |
| 40             | 6E5-45587-50-00 | SHIM (T:0.40MM)              | 1        | UR          |
| 40             | 6E5-45587-30-00 | SHIM (T:0.18MM)              | 1        | UR          |
| 41             | 93341-930V2-00  | BEARING                      | 1        |             |
| 42             | 93210-55M14-00  | .O-RING                      | 1        |             |
| 43             | 6E5-45344-00-00 | COVER, OIL SEAL              | 1        |             |
| 44             | 97095-08025-00  | BOLT                         | 4        |             |
| 45             | 92995-08600-00  | WASHER                       | 4        |             |
| 46             | 63P-45501-10-00 | DRIVE SHAFT COMP.            | 1        | X(25.3")    |
| 47             | 63P-45551-00-00 | PINION (14T)                 | 1        |             |
| 48             | 90170-16M01-00  | NUT                          | 1        |             |
| 49             | 63P-45560-02-00 | GEAR 1 (28T)                 | 1        |             |
| 50             | 93315-425V3-00  | .BEARING                     | 2        |             |
| 51             | 63P-45611-01-00 | SHAFT, PROPELLER             | 1        |             |
| 52             | 6E5-45641-03-00 | SHIFTER                      | 1        |             |
| 53             | 6E5-45634-01-00 | SLIDE, SHIFT                 | 1        |             |
| 54             | 90501-16M37-00  | SPRING, COMPRESSION          | 1        |             |



|    |                 |                  |   |    |
|----|-----------------|------------------|---|----|
| 55 | 93507-32009-00  | .BALL            | 2 |    |
| 56 | 93511-32017-00  | BALL             | 2 |    |
| 57 | 93503-16003-00  | BALL             | 2 |    |
| 58 | 90250-08M07-00  | PIN, STRAIGHT    | 1 |    |
| 59 | 63P-45631-10-00 | CLUTCH, DOG      | 1 |    |
| 60 | 6E5-45633-01-00 | RING, CROSS PIN  | 1 |    |
| 61 | 6J9-45332-00-CA | HOUSING, BEARING | 1 |    |
| 62 | 93306-209U0-00  | BEARING          | 1 |    |
| 63 | 63P-45571-02-00 | GEAR 2 (28T)     | 1 |    |
| 64 | 6G5-45576-10-00 | WASHER, THRUST 2 | 1 |    |
| 65 | 93315-43061-00  | BEARING          | 1 |    |
| 66 | 93101-30M17-00  | .OIL SEAL        | 2 |    |
| 67 | 93210-97M55-00  | .O-RING          | 1 |    |
| 68 | 6G5-45577-02-00 | SHIM (T:0.10MM)  | 1 | UR |
| 68 | 6G5-45577-10-00 | SHIM (T:0.12MM)  | 1 | UR |
| 68 | 6G5-45577-20-00 | SHIM (T:0.15MM)  | 1 | UR |
| 68 | 6G5-45577-60-00 | SHIM (T:0.50MM)  | 1 | UR |
| 68 | 6G5-45577-40-00 | SHIM (T:0.30MM)  | 1 | UR |
| 68 | 6G5-45577-50-00 | SHIM (T:0.40MM)  | 1 | UR |
| 68 | 6G5-45577-30-00 | SHIM (T:0.18MM)  | 1 | UR |
| 69 | 90201-30M92-00  | WASHER, PLATE    | 1 |    |
| 70 | 90282-04M00-00  | KEY, STRAIGHT    | 1 |    |
| 71 | 6G5-45383-01-00 | WASHER, CLAW     | 1 |    |
| 72 | 6G5-45384-00-00 | NUT              | 1 |    |

Part Notes

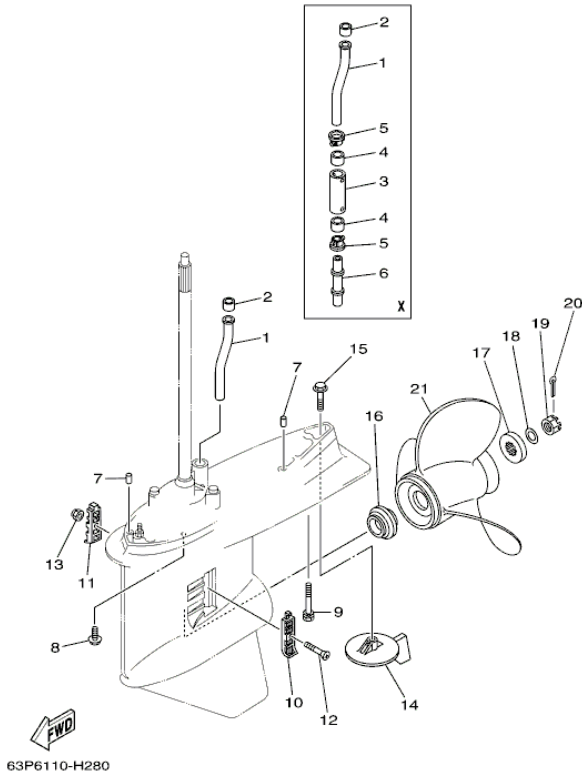
F150TXR 0408 / LOWER CASING DRIVE 1

| PART NUMBER     |   | NOTE TEXT   |
|-----------------|---|---|
| 90430-08020-00  |    | OEM: This part number is among the Top 100 Most Popular Marine Maintenance Parts as of August 2013. |
| 93106-09014-00  |    | OEM: This part number is among the Top 100 Most Popular Marine Maintenance Parts as of August 2013. |
| 61A-45538-00-00 |    | OEM: This part number is among the Top 100 Most Popular Marine Maintenance Parts as of August 2013. |
| 90201-22M01-00  |  | OEM: This part number is among the Top 100 Most Popular Marine Maintenance Parts as of August 2013. |
| 61A-45527-00-00 |  | OEM: This part number is among the Top 100 Most Popular Marine Maintenance Parts as of August 2013. |
| 61A-44311-01-00 |  | OEM: This part number is among the Top 100 Most Popular Marine Maintenance Parts as of August 2013. |
| 93210-86M38-00  |  | OEM: This part number is among the Top 100 Most Popular Marine Maintenance Parts as of August 2013. |
| 6E5-44352-01-00 |  | OEM: This part number is among the Top 100 Most Popular Marine Maintenance Parts as of August 2013. |
| 93101-28M16-00  |  | OEM: This part number is among the Top 100 Most Popular Marine Maintenance Parts as of August 2013. |
| 93101-30M17-00  |  | OEM: This part number is among the Top 100 Most Popular Marine Maintenance Parts as of August 2013. |

©2013 Yamaha Motor Corporation, U.S.A. All rights reserved.

F150TXR 0408 / LOWER CASING DRIVE 2

REGULAR ROTATION



©2013 Yamaha Motor Corporation, U.S.A. All rights reserved.




Part List

F150TXR 0408 / LOWER CASING DRIVE 2

| REF - NO | PART NUMBER     | PART NAME                    | QUANTITY | REMARKS  |
|----------|-----------------|------------------------------|----------|----------|
| 1        | 63P-44361-00-00 | TUBE, WATER 1                | 1        |          |
| 2        | 6E5-44365-00-00 | DAMPER, WATER SEAL 1         | 1        |          |
| 3        | 63P-44362-00-00 | TUBE, WATER 2                | 1        | X(25.3") |
| 4        | 6E5-44365-00-00 | DAMPER, WATER SEAL 1         | 2        | X(25.3") |
| 5        | 6E5-44312-00-00 | COVER, WATER PUMP HOUSING    | 2        | X(25.3") |
| 6        | 63P-44363-00-00 | TUBE, WATER 3                | 1        | X(25.3") |
| 7        | 93608-16M16-00  | PIN, DOWEL                   | 2        |          |
| 8        | 90119-10038-00  | BOLT, WITH WASHER            | 6        |          |
| 9        | 90119-10008-00  | BOLT, WITH WASHER            | 1        | X(25.3") |
| 10       | 6J9-45214-00-00 | COVER, WATER INLET 1         | 1        |          |
| 11       | 6J9-45215-00-00 | COVER, WATER INLET 2         | 1        |          |
| 12       | 90152-05M08-00  | SCREW, COUNTERSUNK           | 1        |          |
| 13       | 90185-05002-00  | NUT, NYLON                   | 1        |          |
| 14       | 6J9-45371-01-00 | TAB-TRIM                     | 1        |          |
| 15       | 90105-10M00-00  | BOLT, FLANGE                 | 1        |          |
| 16       | 63P-45987-00-00 | SPACER 1                     | 1        |          |
| 17       | 688-45997-01-00 | SPACER 2                     | 1        |          |
| 18       | 92990-18200-00  | WASHER                       | 1        |          |
| 19       | 90171-18M04-00  | NUT, CASTLE                  | 1        |          |
| 20       | 91490-40030-00  | PIN. COTTER                  | 1        |          |
| 21       | 6G5-45941-00-98 | PROPELLER (3X15-1/4"X15"-M)  | 1        | UR       |
| 21       | 66K-45974-B0-00 | PROPELLER (3X14-1/2"X23"-M2) | 1        | UR       |
| 21       | 6G5-45949-00-98 | PROPELLER (3X13-1/2"X23"-M)  | 1        | UR       |
| 21       | 6G5-45972-02-98 | PROPELLER (3X13-3/4"X21"-M)  | 1        | UR       |
| 21       | 6G5-45976-01-98 | PROPELLER (3X13-3/8"X23"-M)  | 1        | UR       |
| 21       | 6G5-45930-00-98 | PROPELLER (3X13-3/8"X25"-M)  | 1        | UR       |
| 21       | 6G5-45947-01-98 | PROPELLER (3X14-1/2"X17"-M)  | 1        | UR       |
| 21       | 6G5-45970-02-98 | PROPELLER (3X15-1/4"X15"-M)  | 1        | UR       |
| 21       | 6G5-45932-00-98 | PROPELLER (3X15-3/4"X13"-M)  | 1        | UR       |
| 21       | 6G5-45974-03-98 | PROPELLER (3X13-3/4"X19"-M2) | 1        | UR       |
| 21       | 6G5-45978-03-98 | PROPELLER (3X13-3/4"X17"-M2) | 1        | UR       |
| 21       | 6G5-45943-01-98 | PROPELLER (3X13-3/4"X21"-M)  | 1        | UR       |
| 21       | 6R4-45976-A0-00 | PROPELLER (3X14-1/2"X15"-M)  | 1        | UR       |
| 21       | 6R4-45978-A0-00 | PROPELLER (3X15-1/4"X17"-M)  | 1        | UR       |
| 21       | 6R4-45972-A0-00 | PROPELLER (3X14-7/8"X21"-M)  | 1        | UR       |
| 21       | 6R4-45974-A0-00 | PROPELLER (3X14-1/2"X23"-M)  | 1        | UR       |
| 21       | 66K-45972-B0-00 | PROPELLER (3X14-1/2"X25"-M2) | 1        | UR       |
| 21       | 66K-45970-B0-00 | PROPELLER (3X14-1/2"X27"-M1) | 1        | UR       |
| 21       | 6J9-45976-10-00 | PROPELLER (3X14-1/2"X21"-M1) | 1        | UR       |
| 21       | 6R4-45970-A1-00 | PROPELLER (3X15-1/4"X19"-M)  | 1        | UR       |
| 21       | 6G5-45945-01-98 | PROPELLER (3X14"X19"-M)      | 1        | UR       |

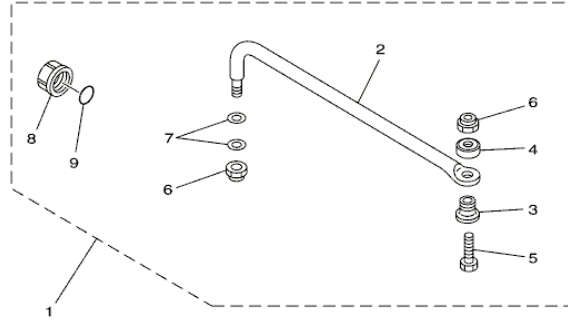
Part Notes

F150TXR 0408 / LOWER CASING DRIVE 2

| PART NUMBER   | NOTE TEXT   |
|---|---|
| 6J9-45371-01-00  | OEM: This part number is among the Top 100 Most Popular Marine Maintenance Parts as of August 2013. |
| 90105-10M00-00   | OEM: This part number is among the Top 100 Most Popular Marine Maintenance Parts as of August 2013. |
| 91490-40030-00   | OEM: This part number is among the Top 100 Most Popular Marine Maintenance Parts as of August 2013. |

©2013 Yamaha Motor Corporation, U.S.A. All rights reserved.

F150TXR 0408 / STEERING GUIDE



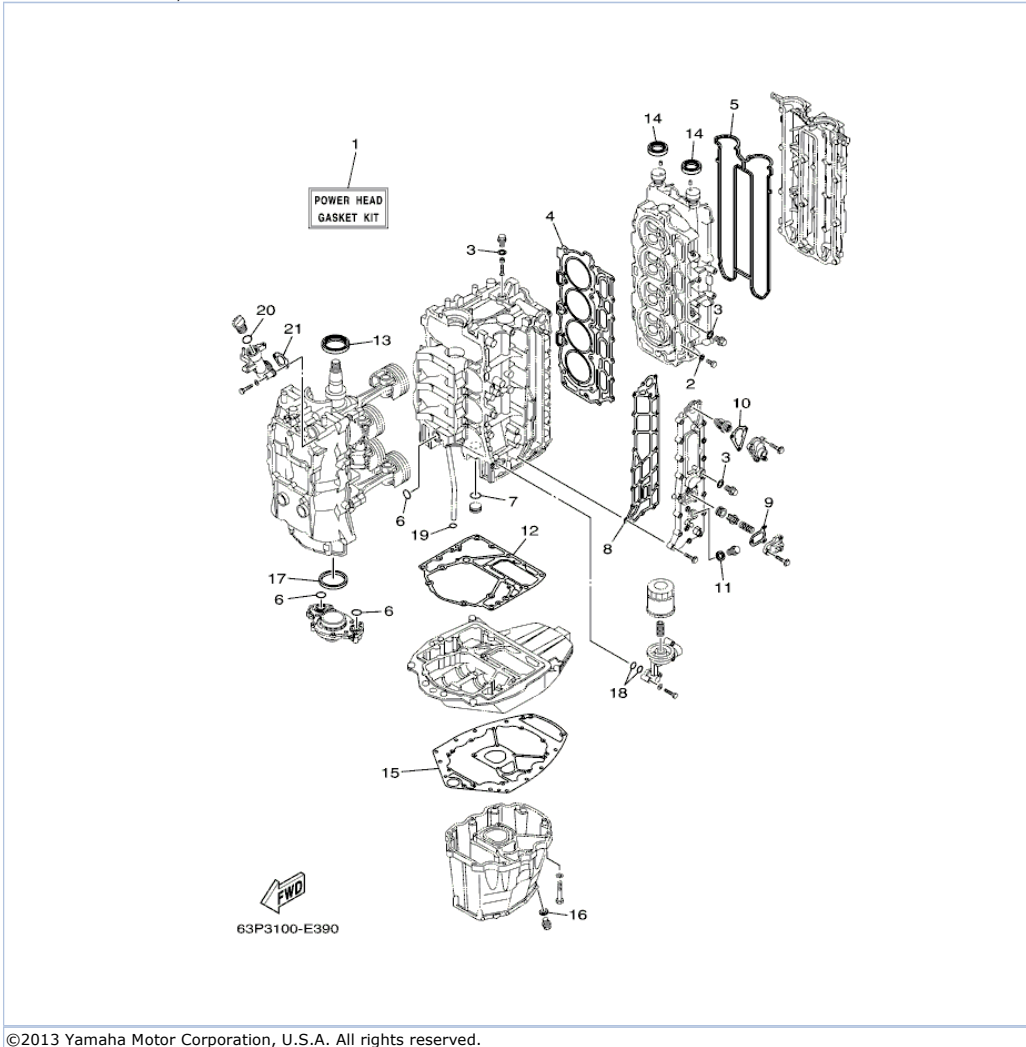
67H0100-9290

## Part List

F150TXR 0408 / STEERING GUIDE

| REF<br>-<br>NO | PART<br>NUMBER  | PART NAME                        | QUANTITY | REMARKS |
|----------------|-----------------|----------------------------------|----------|---------|
| 1              | 6E5-61350-02-00 | STEERING GUIDE<br>ATTACHMENT KIT | 1        | AP      |
| 2              | 6E5-61351-01-00 | .ROD, STEERING LINK              | 1        |         |
| 3              | 90387-10M61-00  | .COLLAR                          | 1        |         |
| 4              | 90560-12M01-00  | .SPACER                          | 1        |         |
| 5              | 6E5-61355-00-00 | .BOLT                            | 1        |         |
| 6              | 90185-09M01-00  | .NUT, SELF-LOCKING               | 2        |         |
| 7              | 90201-10M20-00  | .WASHER, PLATE                   | 2        |         |
| 8              | 6E5-43145-01-00 | .CAP, CLAMP BRACKET              | 1        |         |
| 9              | 93210-16275-00  | .O-RING                          | 1        |         |

F150TXR 0408 / REPAIR KIT 1




Part List

F150TXR 0408 / REPAIR KIT 1

| REF - NO | PART NUMBER     | PART NAME                    | QUANTITY | REMARKS |
|----------|-----------------|------------------------------|----------|---------|
| 1        | 63P-W0001-01-00 | POWER HEAD GASKET KIT        | 1        |         |
| 2        | 90430-08143-00  | .GASKET                      | 4        |         |
| 3        | 90430-14115-00  | .GASKET                      | 4        |         |
| 4        | 63P-11181-00-00 | .GASKET, CYLINDER HEAD 1     | 1        |         |
| 5        | 63P-11193-00-00 | .GASKET, HEAD COVER 1        | 1        |         |
| 6        | 93210-25552-00  | .O-RING                      | 3        |         |
| 7        | 93210-25647-00  | .O-RING                      | 1        |         |
| 8        | 63P-41114-A1-00 | .GASKET, EXHAUST OUTER COVER | 1        |         |
| 9        | 67F-12435-A0-00 | .GASKET                      | 1        |         |
| 10       | 63P-12414-00-00 | .GASKET, COVER               | 1        |         |
| 11       | 90430-18130-00  | .GASKET                      | 1        |         |
| 12       | 63P-11351-00-00 | .GASKET, CYLINDER            | 1        |         |
| 13       | 93102-60004-00  | .OIL SEAL                    | 1        |         |
| 14       | 93102-38M59-00  | .OIL SEAL                    | 2        |         |
| 15       | 63P-15312-00-00 | .GASKET, OIL PAN             | 1        |         |
| 16       | 90430-14M09-00  | .GASKET                      | 1        |         |
| 17       | 69J-11355-00-00 | .SEAL, CYLINDER 1            | 1        |         |
| 18       | 93210-19MJ1-00  | .O-RING                      | 2        |         |
| 19       | 93210-19MJ3-00  | .O-RING                      | 1        |         |
| 20       | 93210-24M79-00  | .O-RING                      | 1        |         |
| 21       | 63P-15364-A0-00 | .GASKET, OIL PLUG            | 1        |         |

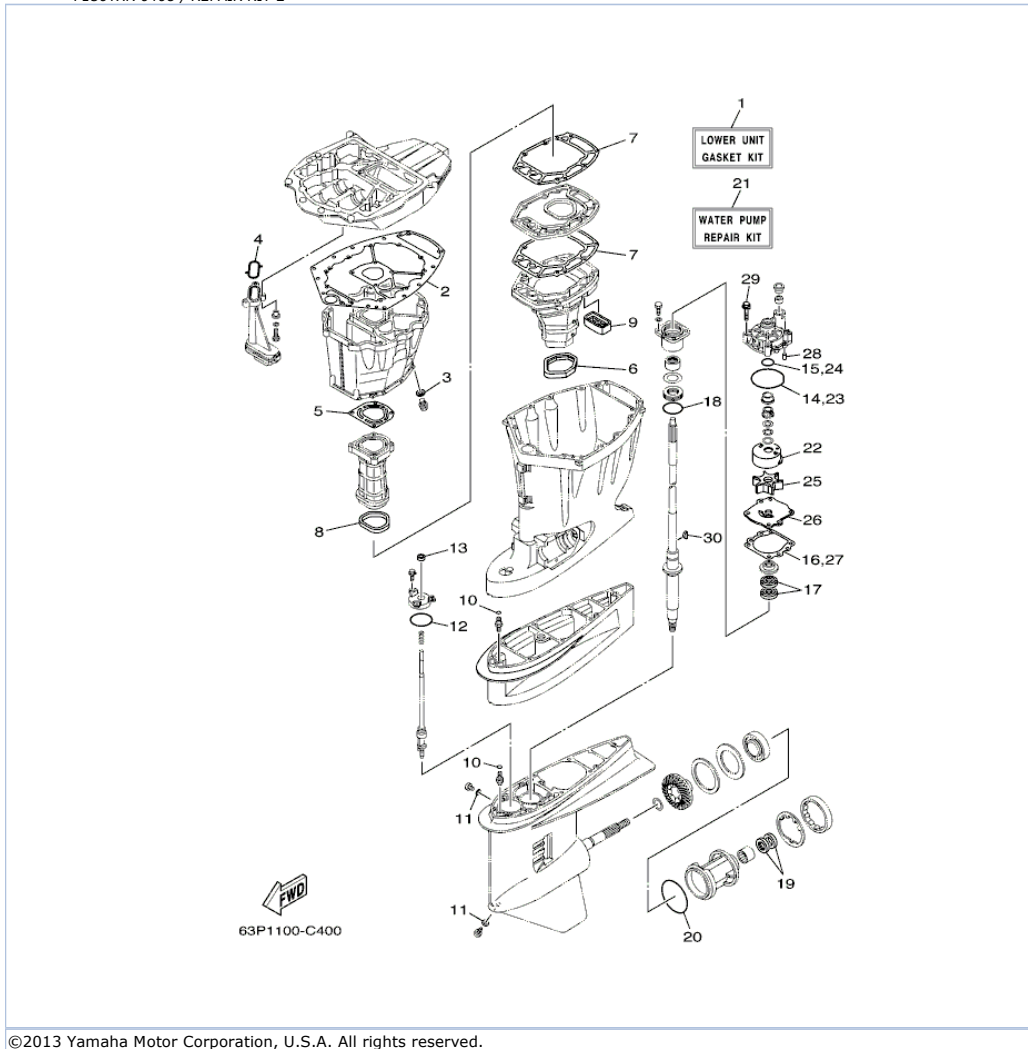
Part Notes

F150TXR 0408 / REPAIR KIT 1

| PART NUMBER  | NOTE TEXT   |
|--|---|
| 90430-14M09-00  | OEM: This part number is among the Top 100 Most Popular Marine Maintenance Parts as of August 2013. |

©2013 Yamaha Motor Corporation, U.S.A. All rights reserved.

F150TXR 0408 / REPAIR KIT 2















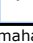
Part List

F150TXR 0408 / REPAIR KIT 2

| REF - NO | PART NUMBER     | PART NAME                   | QUANTITY | REMARKS |
|----------|-----------------|-----------------------------|----------|---------|
| 1        | 63P-W0001-20-00 | LOWER UNIT GASKET KIT       | 1        |         |
| 2        | 63P-15312-00-00 | .GASKET, OIL PAN            | 1        |         |
| 3        | 90430-14M09-00  | .GASKET                     | 1        |         |
| 4        | 63P-13415-00-00 | .SEAL, OIL STRAINER         | 1        |         |
| 5        | 63P-41133-A0-00 | .GASKET, EXHAUST MANIFOLD 1 | 1        |         |
| 6        | 69J-45123-00-00 | .GASKET, MUFFLER            | 1        |         |
| 7        | 63P-41134-A0-00 | .GASKET, EXHAUST MANIFOLD   | 2        |         |
| 8        | 63P-41138-00-00 | .SEAL, EXT 1                | 1        |         |
| 9        | 69J-45127-00-00 | .SEAL                       | 1        |         |
| 10       | 93210-07003-00  | .O-RING                     | 2        |         |
| 11       | 90430-08020-00  | .GASKET                     | 2        |         |
| 12       | 93210-58144-00  | .O-RING                     | 1        |         |
| 13       | 93106-09014-00  | .OIL SEAL                   | 1        |         |
| 14       | 93210-86M38-00  | .O-RING                     | 1        |         |
| 15       | 93210-37160-00  | .O-RING                     | 1        |         |
| 16       | 6E5-44315-A0-00 | .GASKET, WATER PUMP         | 1        |         |
| 17       | 93101-28M16-00  | .OIL SEAL                   | 2        |         |
| 18       | 93210-55M14-00  | .O-RING                     | 1        |         |
| 19       | 93101-30M17-00  | .OIL SEAL                   | 2        |         |
| 20       | 93210-97M55-00  | .O-RING                     | 1        |         |
| 21       | 61A-W0078-A3-00 | WATER PUMP REPAIR KIT       | 1        |         |
| 22       | 61A-44322-02-00 | .INSERT, CARTRIDGE          | 1        |         |
| 23       | 93210-86M38-00  | .O-RING                     | 1        |         |
| 24       | 93210-37160-00  | .O-RING                     | 1        |         |
| 25       | 6E5-44352-01-00 | .IMPELLER                   | 1        |         |
| 26       | 6G5-44323-00-00 | .OUTER PLATE, CARTRIDGE     | 1        |         |
| 27       | 6E5-44315-A0-00 | .GASKET, WATER PUMP         | 1        |         |
| 28       | 93606-12019-00  | .PIN, DOWEL                 | 2        |         |
| 29       | 90119-08M14-00  | .BOLT, WITH WASHER          | 4        |         |
| 30       | 90280-04M05-00  | .KEY, WOODRUFF              | 1        |         |

Part Notes

F150TXR 0408 / REPAIR KIT 2

| PART NUMBER     | NOTE TEXT  |
|-----------------|--|
| 90430-14M09-00  |  OEM: This part number is among the Top 100 Most Popular Marine Maintenance Parts as of August 2013.  |
| 69J-45123-00-00 |  OEM: If you are replacing damaged exhaust components on a 3.1L V6 Fourstroke, two kits have been developed to make choosing and ordering the correct parts easier. Ordering either MAR-EXHKT-03-00 (EXH KIT F200-225 for 2002-2003 models) or MAR-EXHKT-04-00 (EXH KIT F200-250 2004 models and up) will get you everything needed to rebuild the entire exhaust system. |
| 69J-45127-00-00 |  OEM: If you are replacing damaged exhaust components on a 3.1L V6 Fourstroke, two kits have been developed to make choosing and ordering the correct parts easier. Ordering either MAR-EXHKT-03-00 (EXH KIT F200-225 for 2002-2003 models) or MAR-EXHKT-04-00 (EXH KIT F200-250 2004 models and up) will get you everything needed to rebuild the entire exhaust system. |
| 90430-08020-00  |  OEM: This part number is among the Top 100 Most Popular Marine Maintenance Parts as of August 2013.  |
| 93106-09014-00  |  OEM: This part number is among the Top 100 Most Popular Marine Maintenance Parts as of August 2013.  |
| 93210-86M38-00  |  OEM: This part number is among the Top 100 Most Popular Marine Maintenance Parts as of August 2013.  |
| 93101-28M16-00  |  OEM: This part number is among the Top 100 Most Popular Marine Maintenance Parts as of August 2013.  |
| 93101-30M17-00  |  OEM: This part number is among the Top 100 Most Popular Marine Maintenance Parts as of August 2013.  |
| 61A-W0078-A3-00 |  OEM: This part number is among the Top 100 Most Popular Marine Maintenance Parts as of August 2013.  |
| 93210-86M38-00  |  OEM: This part number is among the Top 100 Most Popular Marine Maintenance Parts as of August 2013.  |
| 6E5-44352-01-00 |  OEM: This part number is among the Top 100 Most Popular Marine Maintenance Parts as of August 2013.  |

©2013 Yamaha Motor Corporation, U.S.A. All rights reserved.

©2013 Yamaha Motor Corporation, U.S.A. All rights reserved.