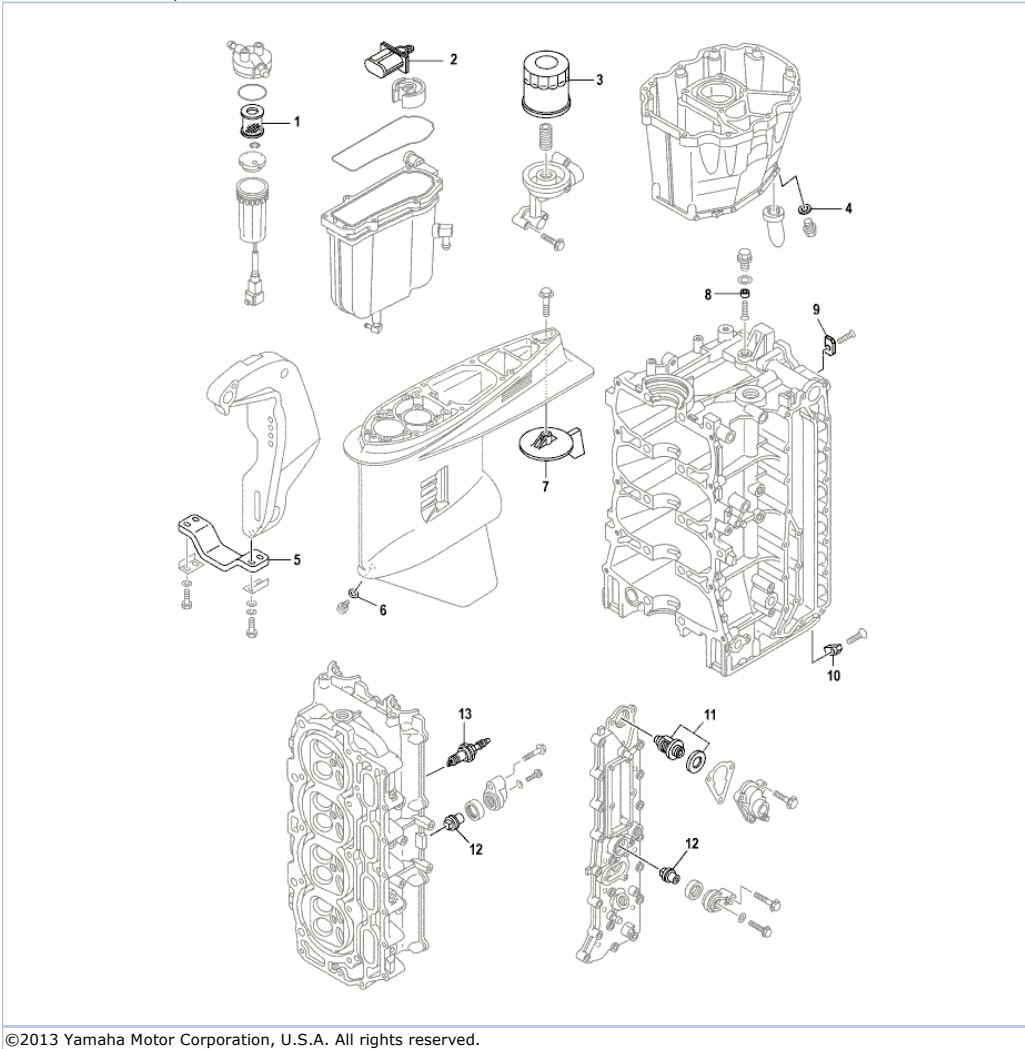


F150TLR 0409 / SCHEDULED SERVICE PARTS











Part List

F150TLR 0409 / SCHEDULED SERVICE PARTS

REF - NO	PART NUMBER	PART NAME	QUANTITY	REMARKS
1	6P3-WS24A-00-00	ELEMENT, FILTER	1	FUEL 1 (REF#7)
2	63P-13915-00-00	FILTER	1	FUEL INJECTION PUMP 1 (REF #20)
3	69J-13440-01-00	ELEMENT ASSY, OIL CLEANER	1	CYLINDER CRANKCASE 3 (REF #28)
4	90430-14M09-00	.GASKET	1	OIL PAN (REF #8)
5	6G5-45251-02-00	ANODE	1	BRACKET 1 (REF #2)
6	90430-08020-00	.GASKET	2	LOWER CASING DRIVE 1 (REF #8)
7	6J9-45371-01-00	TAB-TRIM	1	LOWER CASING DRIVE 2 (REF #14)
8	63P-11325-21-00	.ANODE	1	CYLINDER CRANKCASE 1 (REF #11)
9	63P-11325-11-00	ANODE	1	CYLINDER CRANKCASE 1 (REF #14)
10	63P-11325-01-00	ANODE	1	CYLINDER CRANKCASE 1 (REF #20)
11	67F-12411-01-00	THERMOSTAT	1	CYLINDER CRANKCASE 3 (REF #18)
12	67F-11325-01-00	.ANODE	2	CYLINDER CRANKCASE 3 (REF #13)
13	NGK-LFR5A-11-00	PLUG, SPARK (NGK LFR5A-11)	4	CYLINDER CRANKCASE 2 (REF #33)

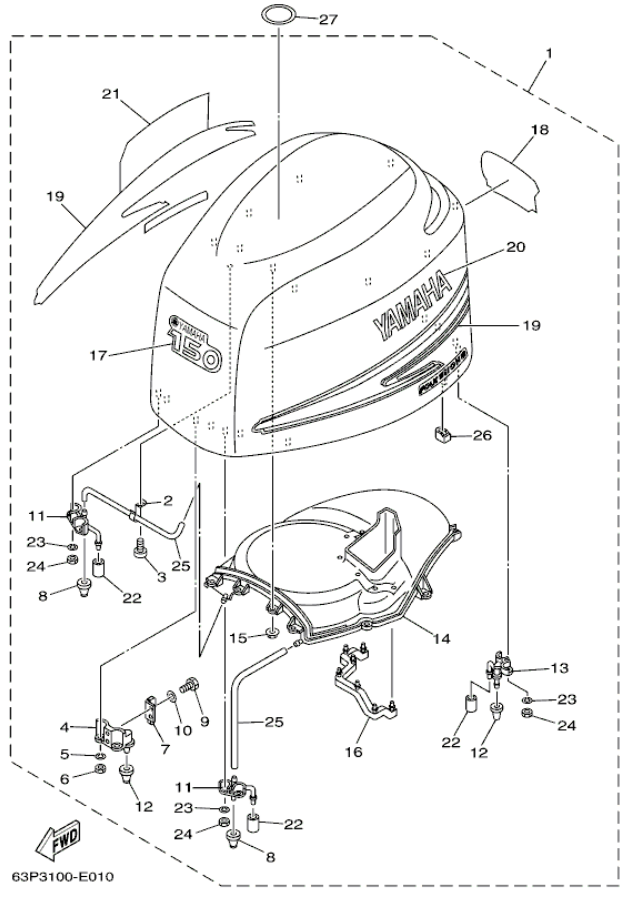
Part Notes

F150TLR 0409 / SCHEDULED SERVICE PARTS

PART NUMBER	NOTE TEXT
63P-13915-00-00 	OEM: This part number is among the Top 100 Most Popular Marine Maintenance Parts as of August 2013.
69J-13440-01-00 	OEM: This part number is among the Top 100 Most Popular Marine Maintenance Parts as of August 2013.
90430-14M09-00 	OEM: This part number is among the Top 100 Most Popular Marine Maintenance Parts as of August 2013.
6G5-45251-02-00 	OEM: This part number is among the Top 100 Most Popular Marine Maintenance Parts as of August 2013.
90430-08020-00 	OEM: This part number is among the Top 100 Most Popular Marine Maintenance Parts as of August 2013.
6J9-45371-01-00 	OEM: This part number is among the Top 100 Most Popular Marine Maintenance Parts as of August 2013.
67F-12411-01-00 	OEM: This part number is among the Top 100 Most Popular Marine Maintenance Parts as of August 2013.
67F-11325-01-00 	OEM: This part number is among the Top 100 Most Popular Marine Maintenance Parts as of August 2013.

©2013 Yamaha Motor Corporation, U.S.A. All rights reserved.

F150TLR 0409 / TOP COWLING



63P3100-E010

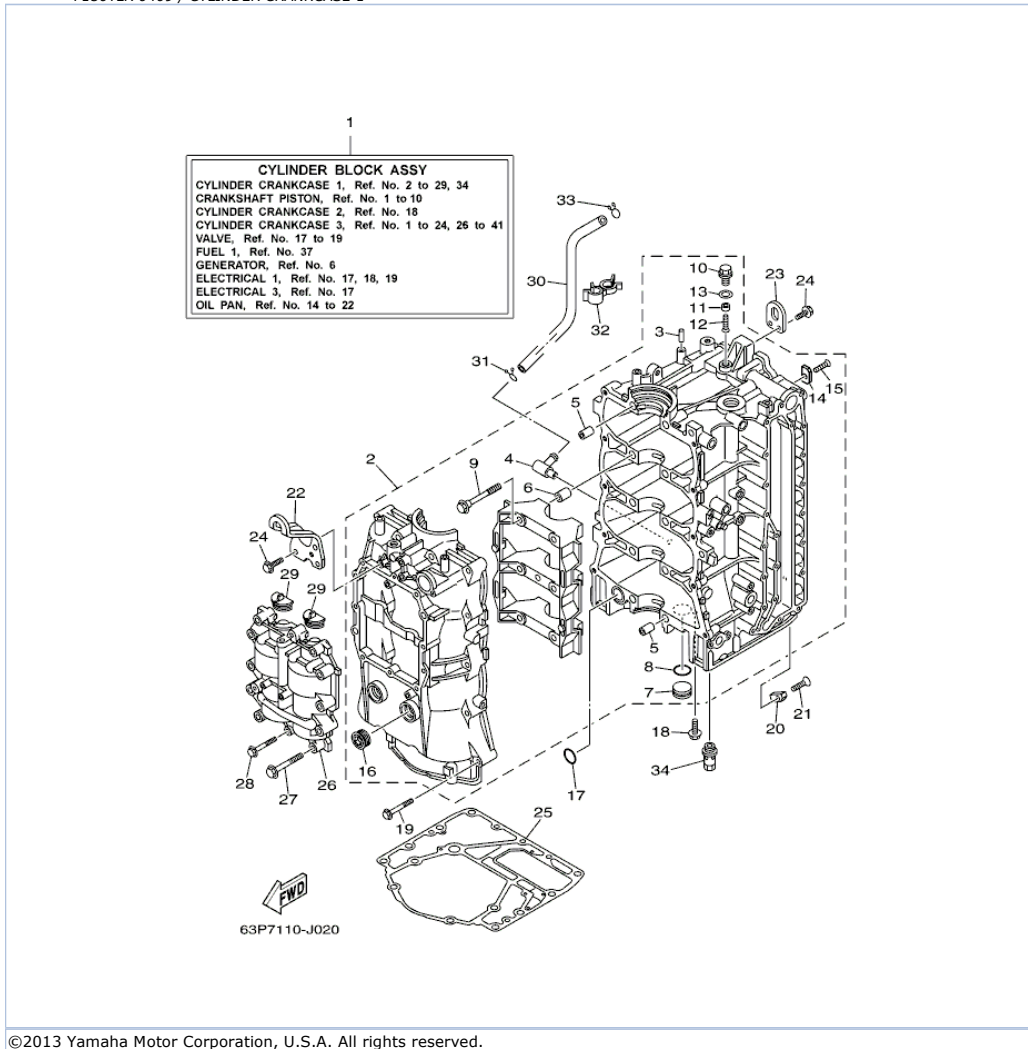
©2013 Yamaha Motor Corporation, U.S.A. All rights reserved.

Part List

F150TLR 0409 / TOP COWLING

REF - NO	PART NUMBER	PART NAME	QUANTITY	REMARKS
1	63P-42610-01-8D	TOP COWLING ASSY	1	
2	90465-10032-00	.CLAMP	1	
3	97780-50620-00	.SCREW, TAPPING	1	
4	63P-42647-00-94	.HOLDER, CLAMP BAND	2	
5	92990-06100-00	.WASHER, SPRING	4	
6	95380-06600-00	.NUT, HEXAGON	4	
7	60V-42651-01-00	.HOOK	2	
8	69J-42663-00-00	.DAMPER	2	
9	97095-06016-00	.BOLT	4	
10	92995-06600-00	.WASHER	4	
11	63P-42643-00-94	.PLATE, CLAMP	2	
12	68F-42663-00-00	.DAMPER	4	
13	63P-42644-00-94	.PLATE, CLAMP 2	2	
14	63P-42613-00-00	.MOLDING, AIR DUCT	1	
15	90179-06M24-00	.NUT	10	
16	63P-42617-00-00	.DAMPER, FORM	1	
17	63P-42677-00-00	.GRAPHIC, FRONT	1	
18	63P-42678-00-00	.GRAPHIC, REAR	1	
19	63P-W0070-00-00	.GRAPHIC SET	1	
20	63P-42681-00-00	.MARK, COWLING	1	
21	63P-42682-00-00	.MARK, COWLING	1	
22	67F-13448-00-00	.CAP	4	
23	92990-06100-00	.WASHER, SPRING	8	
24	95380-06600-00	.NUT, HEXAGON	8	
25	90445-11020-00	.HOSE (L400)	2	
26	63P-42662-00-00	.DAMPER	4	
27	67F-13434-10-00	LABEL, CAUTION	1	

F150TLR 0409 / CYLINDER CRANKCASE 1



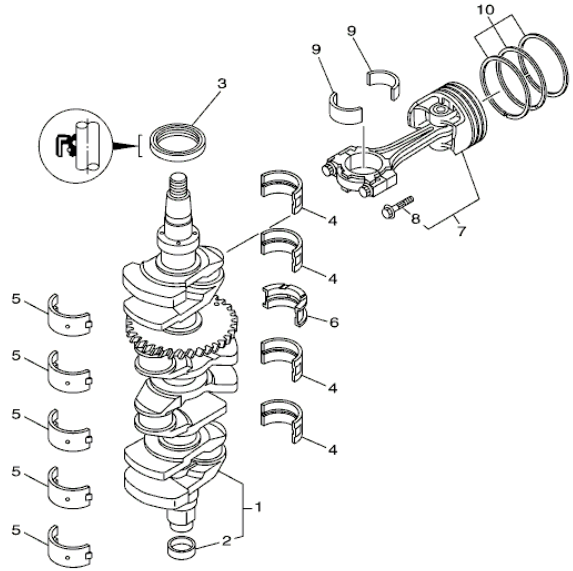
©2013 Yamaha Motor Corporation, U.S.A. All rights reserved.

Part List

F150TLR 0409 / CYLINDER CRANKCASE 1

REF - NO	PART NUMBER	PART NAME	QUANTITY	REMARKS
1	63P-W009B-05-9S	CYLINDER BLOCK ASSY	1	
2	63P-W1510-03-9S	CRANKCASE ASSY	1	
3	93606-12019-00	.PIN, DOWEL	1	
4	63P-11372-00-00	.NIPPLE, HOSE	1	
5	91814-18001-00	.PIN, DOWEL	4	
6	91814-18001-00	.PIN, DOWEL	6	
7	90338-25004-00	.PLUG	1	
8	93210-25647-00	.O-RING	1	
9	90105-10071-00	.BOLT, FLANGE	10	
10	63P-11197-00-00	.PLUG, BLIND	1	
11	63P-11325-21-00	.ANODE	1	
12	98780-05016-00	.SCREW, FLAT HEAD	1	
13	90430-14115-00	.GASKET	1	
14	63P-11325-11-00	.ANODE	4	
15	90151-06M02-00	.SCREW, COUNTERSUNK	4	
16	90340-27129-00	.PLUG, STRAIGHT SCREW	2	
17	93210-25552-00	O-RING	1	
18	90119-06M81-00	BOLT, WITH WASHER	1	
19	90119-08M66-00	BOLT, WITH WASHER	10	
20	63P-11325-01-00	ANODE	1	
21	90151-06M02-00	SCREW, COUNTERSUNK	1	
22	63P-11119-00-00	HANGER, ENGINE	1	
23	68F-11119-00-00	HANGER, ENGINE	1	
24	90119-06MA2-00	BOLT, WITH WASHER	5	
25	63P-11351-00-00	.GASKET, CYLINDER	1	
26	63P-11500-03-00	BALANCER ASSY	1	
27	90119-08M66-00	BOLT, WITH WASHER	10	
28	90119-06MA6-00	BOLT, WITH WASHER	2	
29	63P-11512-00-00	SEAL, CRANK COVER	2	
30	63P-11377-00-00	HOSE	1	
31	90467-15M14-00	CLIP	1	
32	90464-16013-00	CLAMP	1	
33	90467-15M14-00	CLIP	1	
34	63P-13490-00-00	RELIEF VALVE ASSY	1	

F150TLR 0409 / CRANKSHAFT PISTON



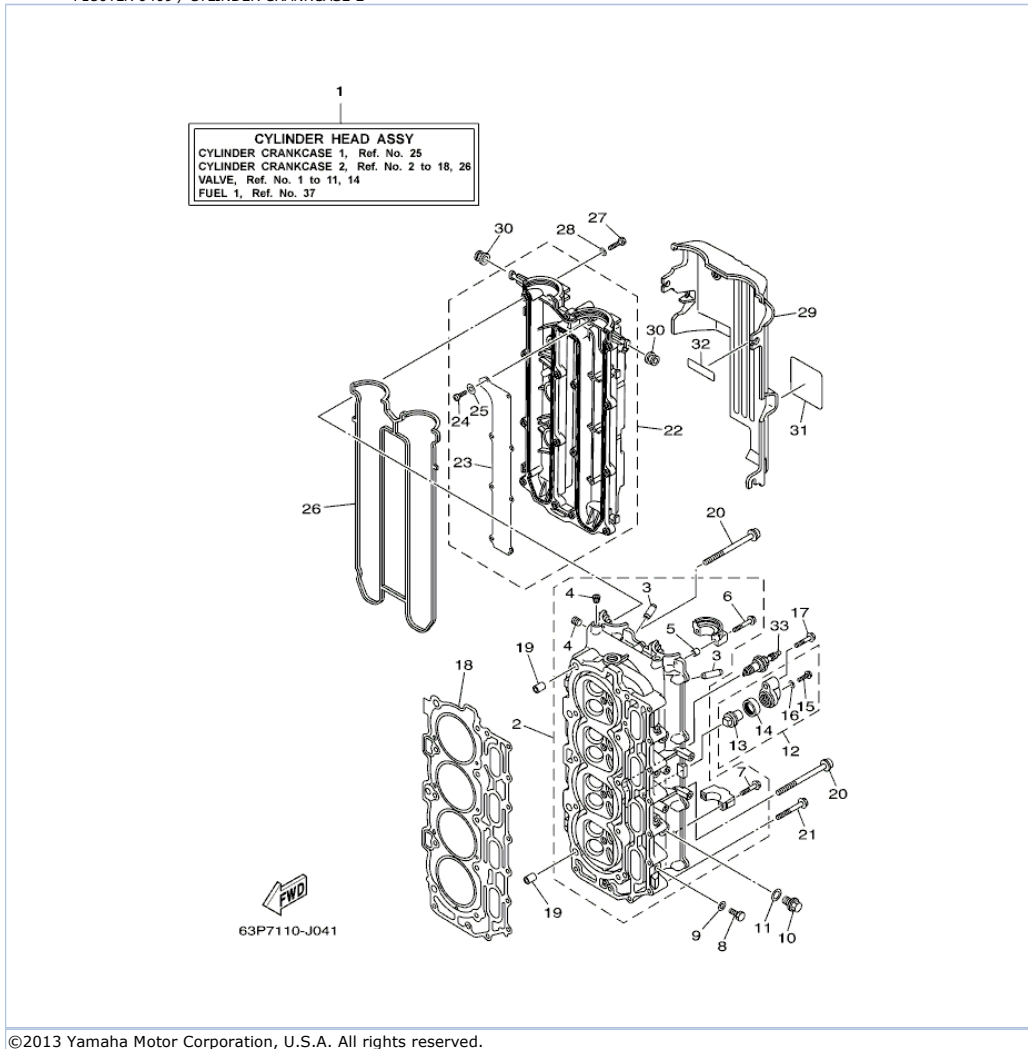
63P6110-H030

Part List

F150TLR 0409 / CRANKSHAFT PISTON

REF - NO	PART NUMBER	PART NAME	QUANTITY	REMARKS
1	63P-11410-02-00	CRANKSHAFT	1	
2	69J-11478-00-00	.COLLAR	1	
3	93102-60004-00	.OIL SEAL	1	
4	63P-11416-02-00	PLANE BEARING, CRANKSHAFT 1	4	UR GREEN
4	63P-11416-22-00	PLANE BEARING, CRANKSHAFT 1	4	UR YELLOW
4	63P-11416-12-00	PLANE BEARING, CRANKSHAFT 1	4	UR RED
5	63P-11417-02-00	PLANE BEARING, CRANKSHAFT 2	5	UR GREEN
5	63P-11417-32-00	PLANE BEARING, CRANKSHAFT 2	5	UR BLUE/ GREEN
5	63P-11417-22-00	PLANE BEARING, CRANKSHAFT 2	5	UR YELLOW
5	63P-11417-12-00	PLANE BEARING, CRANKSHAFT 2	5	UR RED
6	63P-11426-00-00	BEARING, THRUST 1	1	UR GREEN
6	63P-11426-20-00	BEARING, THRUST 1	1	UR YELLOW
6	63P-11426-10-00	BEARING, THRUST 1	1	UR RED
7	63P-W1164-10-00	PISTON/CON-ROD ASSY (0.25MM OS)	4	AP
7	63P-W1164-01-00	PISTON/CONROD ASSY(STD)	4	
8	63P-11654-00-00	.BOLT, CONNECTING ROD	2	
9	63P-11656-01-00	PLANE BEARING, CONNECTING ROD	8	UR GREEN
9	63P-11656-21-00	PLANE BEARING, CONNECTING ROD	8	UR RED
9	63P-11656-11-00	PLANE BEARING, CONNECTING ROD	8	UR BLUE
10	63P-11604-00-00	PISTON RING SET (0.25MM OS)	4	AP
10	63P-11603-01-00	PISTON RING SET (STD)	4	

F150TLR 0409 / CYLINDER CRANKCASE 2






Part List

F150TLR 0409 / CYLINDER CRANKCASE 2

REF - NO	PART NUMBER	PART NAME	QUANTITY	REMARKS
1	63P-W009A-02-9S	CYLINDER HEAD COMPLETE	1	
2	63P-11110-00-9S	CYLINDER HEAD ASSY	1	
3	69J-11133-10-00	.GUIDE, VALVE 1	16	
4	90344-51019-00	.PLUG, TAPER SCREW	3	
5	91809-08006-00	.PIN, DOWEL	4	
6	90119-07235-00	.BOLT/WASHER-CAM CAPS	4	
7	90119-07234-00	.BOLT, WITH WASHER	16	
8	97095-08014-00	BOLT	4	
9	90430-08143-00	GASKET	4	
10	90340-14M06-00	PLUG, STRAIGHT SCREW	2	
11	90430-14115-00	.GASKET	2	
12	69J-11301-00-00	ANODE COVER ASSY	2	
13	67F-11325-01-00	..ANODE	1	
14	67F-11328-00-00	.GROMMET, ANODE	1	
15	90105-06M07-00	.BOLT, FLANGE	1	
16	90430-06M03-00	.GASKET	1	
17	97575-08540-00	BOLT, WITH WASHER	2	
18	63P-11181-00-00	.GASKET, CYLINDER HEAD 1	1	
19	90387-10M08-00	COLLAR	2	
20	90155-10001-00	SCREW, FLAT FILLISTER	10	
21	90119-08M91-00	BOLT, WITH WASHER	10	
22	63P-11191-00-9S	COVER, CYLINDER HEAD 1	1	
23	63P-11135-00-00	.PLATE, BREATHER 3	1	
24	98507-04008-00	.SCREW, PAN HEAD	8	
25	92907-04600-00	.WASHER	8	
26	63P-11193-00-00	.GASKET, HEAD COVER 1	1	
27	97095-06030-00	BOLT	13	
28	92995-06600-00	WASHER	13	
29	63P-11192-01-00	COVER, CYLINDER HEAD 2	1	
30	90480-12072-00	GROMMET	5	
31	63P-83626-00-00	MARK 6	1	
32	67F-12138-40-00	MARK, CAUTION	1	
33	NGK-LFR5A-11-00	PLUG, SPARK (NGK LFR5A-11)	4	

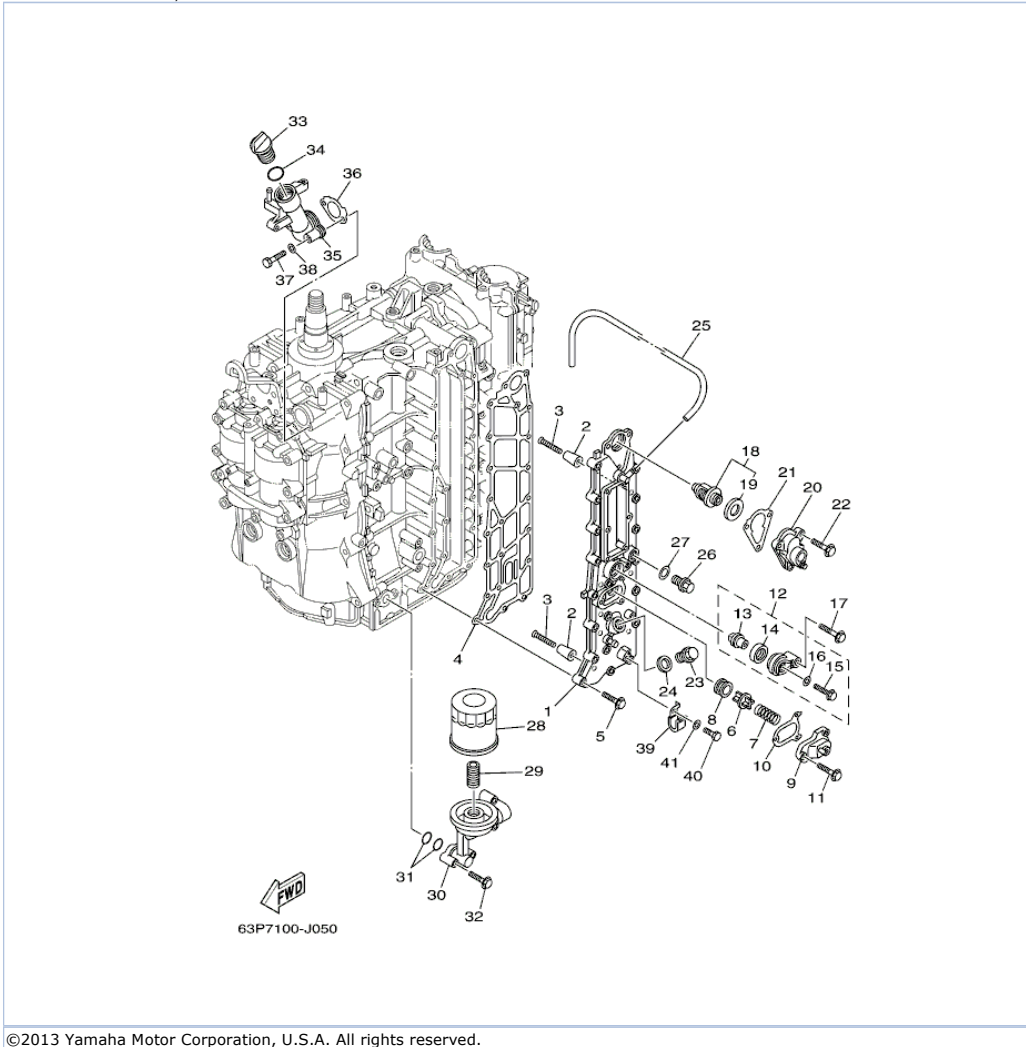
Part Notes

F150TLR 0409 / CYLINDER CRANKCASE 2

PART NUMBER	NOTE TEXT
67F-11325-01-00 	OEM: This part number is among the Top 100 Most Popular Marine Maintenance Parts as of August 2013.
67F-11328-00-00 	OEM: This part number is among the Top 100 Most Popular Marine Maintenance Parts as of August 2013.
90480-12072-00 	OEM: GROMMET used on F115TLR and F/LF115TXR 0410 Production and Earlier

©2013 Yamaha Motor Corporation, U.S.A. All rights reserved.

F150TLR 0409 / CYLINDER CRANKCASE 3



©2013 Yamaha Motor Corporation, U.S.A. All rights reserved.






Part List

F150TLR 0409 / CYLINDER CRANKCASE 3

REF - NO	PART NUMBER	PART NAME	QUANTITY	REMARKS
1	63P-41113-03-9S	OUTER COVER, EXHAUST	1	
2	68T-11325-00-00	ANODE	8	
3	90151-05M05-00	SCREW, COUNTERSUNK	8	
4	63P-41114-A1-00	.GASKET, EXHAUST OUTER COVER	1	
5	90119-06MA4-00	BOLT, WITH WASHER	19	
6	6G5-12416-00-00	VALVE, PRESSURE CONTROL	1	
7	90501-16M11-00	SPRING, COMPRESSION	1	
8	90480-20M05-00	GROMMET	1	
9	67F-1246A-01-9S	COVER 1	1	
10	67F-12435-A0-00	.GASKET	1	
11	90119-06MA2-00	BOLT, WITH WASHER	3	
12	69J-11301-00-00	ANODE COVER ASSY	1	
13	67F-11325-01-00	..ANODE	1	
14	67F-11328-00-00	.GROMMET, ANODE	1	
15	90105-06M07-00	.BOLT, FLANGE	1	
16	90430-06M03-00	.GASKET	1	
17	97575-08540-00	BOLT, WITH WASHER	1	
18	67F-12411-01-00	THERMOSTAT	1	
19	67F-12412-00-00	.SEAL, THERMOSTAT	1	
20	63P-1240H-01-9S	COVER ASSEMBLY	1	
21	63P-12414-00-00	.GASKET, COVER	1	
22	90119-06MA4-00	BOLT, WITH WASHER	3	
23	90340-18M09-00	PLUG, STRAIGHT SCREW	1	
24	90430-18130-00	.GASKET	1	
25	90445-10027-00	HOSE (L670)	1	
26	90340-14M06-00	PLUG, STRAIGHT SCREW	1	
27	90430-14115-00	.GASKET	1	
28	69J-13440-01-00	ELEMENT ASSY, OIL CLEANER	1	
29	69J-12858-00-00	BOLT, UNION	1	
30	63P-13446-00-9S	CONNECTOR	1	
31	93210-19MJ1-00	.O-RING	2	
32	97575-06540-00	BOLT, WITH WASHER	4	
33	6G8-15363-00-00	PLUG, OIL	1	
34	93210-24M79-00	.O-RING	1	
35	63P-15319-00-9S	JOINT	1	
36	63P-15364-A0-00	.GASKET, OIL PLUG	1	
37	97095-06045-00	.BOLT	2	
38	92995-06600-00	WASHER	2	
39	90462-06013-00	CLAMP	1	
40	97095-06012-00	BOLT	1	
41	92995-06600-00	WASHER	1	

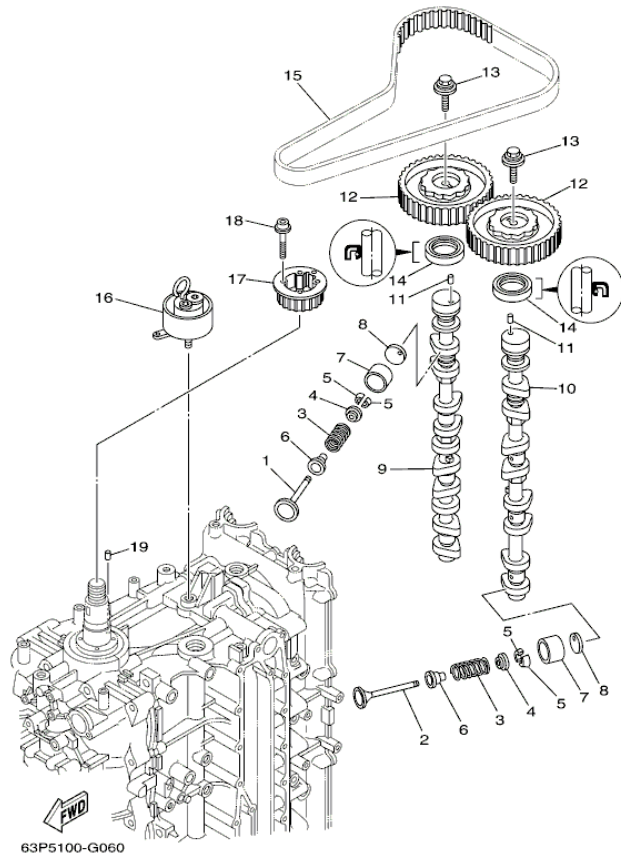
Part Notes

F150TLR 0409 / CYLINDER CRANKCASE 3

PART NUMBER		NOTE TEXT
90480-20M05-00		OEM: This part number is among the Top 100 Most Popular Marine Maintenance Parts as of August 2013.
67F-11325-01-00		OEM: This part number is among the Top 100 Most Popular Marine Maintenance Parts as of August 2013.
67F-11328-00-00		OEM: This part number is among the Top 100 Most Popular Marine Maintenance Parts as of August 2013.
67F-12411-01-00		OEM: This part number is among the Top 100 Most Popular Marine Maintenance Parts as of August 2013.
69J-13440-01-00		OEM: This part number is among the Top 100 Most Popular Marine Maintenance Parts as of August 2013.

©2013 Yamaha Motor Corporation, U.S.A. All rights reserved.

F150TLR 0409 / VALVE



©2013 Yamaha Motor Corporation, U.S.A. All rights reserved.


Part List

F150TLR 0409 / VALVE

REF - NO	PART NUMBER	PART NAME	QUANTITY	REMARKS
1	69J-12111-00-00	VALVE, INTAKE	8	
2	69J-12121-00-00	VALVE, EXHAUST	8	
3	69J-12113-01-00	SPRING, VALVE INNER	16	
4	69J-12117-01-00	RETAINER, VALVE SPRING	16	
5	69J-12118-00-00	COTTER, VALVE	32	
6	69J-12119-00-00	SEAL, VALVE STEM	16	
7	69J-12153-00-00	LIFTER, VALVE	16	
8	6S1-12168-00-00	PAD, ADJUSTING (2.320)	16	UR
8	6S1-12169-00-00	PAD, ADJUSTING (2.960)	16	UR
8	6S1-12168-20-00	PAD, ADJUSTING (2.360)	16	UR
8	6S1-12168-30-00	PAD, ADJUSTING (2.380)	16	UR
8	6S1-12168-40-00	PAD, ADJUSTING (2.400)	16	UR
8	6S1-12168-50-00	PAD, ADJUSTING (2.420)	16	UR
8	6S1-12168-60-00	PAD, ADJUSTING (2.440)	16	UR
8	6S1-12168-70-00	PAD, ADJUSTING (2.460)	16	UR
8	6S1-12168-80-00	PAD, ADJUSTING (2.480)	16	UR
8	6S1-12168-90-00	PAD, ADJUSTING (2.500)	16	UR
8	6S1-12168-A0-00	PAD, ADJUSTING (2.520)	16	UR
8	6S1-12168-B0-00	PAD, ADJUSTING (2.540)	16	UR
8	6S1-12168-C0-00	PAD, ADJUSTING (2.560)	16	UR
8	6S1-12168-D0-00	PAD, ADJUSTING (2.580)	16	UR
8	6S1-12168-E0-00	PAD, ADJUSTING (2.600)	16	UR
8	6S1-12168-F0-00	PAD, ADJUSTING (2.620)	16	UR
8	6S1-12168-G0-00	PAD, ADJUSTING (2.640)	16	UR
8	6S1-12168-H0-00	PAD, ADJUSTING (2.660)	16	UR
8	6S1-12168-J0-00	PAD, ADJUSTING (2.680)	16	UR
8	6S1-12168-K0-00	PAD, ADJUSTING (2.700)	16	UR
8	6S1-12168-L0-00	PAD, ADJUSTING (2.720)	16	UR
8	6S1-12168-M0-00	PAD, ADJUSTING (2.740)	16	UR
8	6S1-12168-N0-00	PAD, ADJUSTING (2.760)	16	UR
8	6S1-12168-P0-00	PAD, ADJUSTING (2.780)	16	UR
8	6S1-12168-R0-00	PAD, ADJUSTING (2.800)	16	UR
8	6S1-12168-S0-00	PAD, ADJUSTING (2.820)	16	UR
8	6S1-12168-T0-00	PAD, ADJUSTING (2.840)	16	UR
8	6S1-12168-U0-00	PAD, ADJUSTING (2.860)	16	UR
8	6S1-12168-V0-00	PAD, ADJUSTING (2.880)	16	UR
8	6S1-12168-W0-00	PAD, ADJUSTING (2.900)	16	UR
8	6S1-12168-X0-00	PAD, ADJUSTING (2.920)	16	UR
8	6S1-12168-Y0-00	PAD, ADJUSTING (2.940)	16	UR
8	6S1-12168-10-00	PAD, ADJUSTING (2.340)	16	UR
9	63P-12171-00-00	CAMSHAFT 1	1	
10	63P-12181-00-00	CAMSHAFT 2	1	
11	93605-10108-00	PIN, DOWEL	2	
12	63P-11537-00-00	GEAR, DRIVEN	2	
13	68V-12157-00-00	BOLT	2	
14	93102-38008-00	.OIL SEAL	2	
15	63P-46241-00-00	BELT	1	
16	63P-11590-01-00	TENSIONER ASSY	1	
17	63P-11536-01-00	GEAR, DRIVE	1	
18	90110-05020-00	BOLT, HEXAGON SOCKET HEAD	4	
19	93605-17002-00	PIN, DOWEL	1	

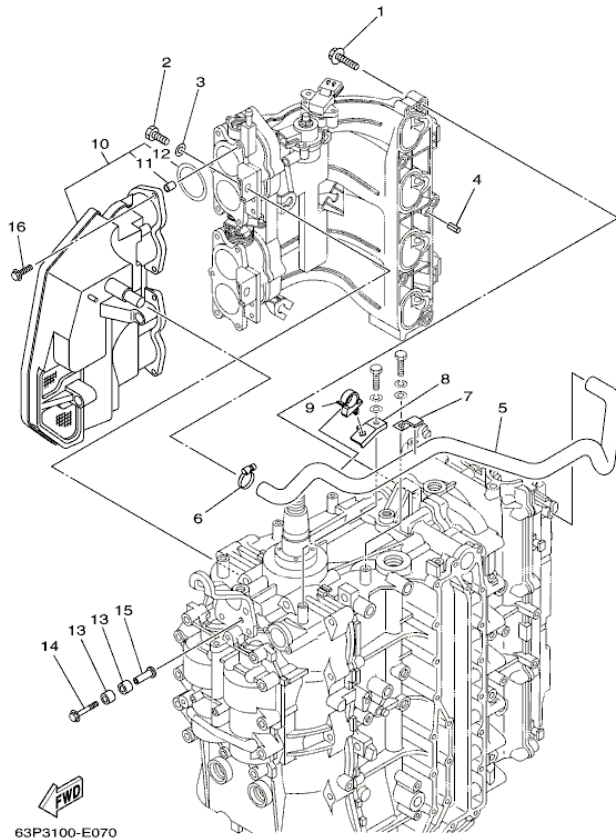
Part Notes

F150TLR 0409 / VALVE

PART NUMBER	NOTE TEXT
69J-12119-00-00 	OEM: This part number is among the Top 100 Most Popular Marine Maintenance Parts as of August 2013.

©2013 Yamaha Motor Corporation, U.S.A. All rights reserved.

F150TLR 0409 / INTAKE 1



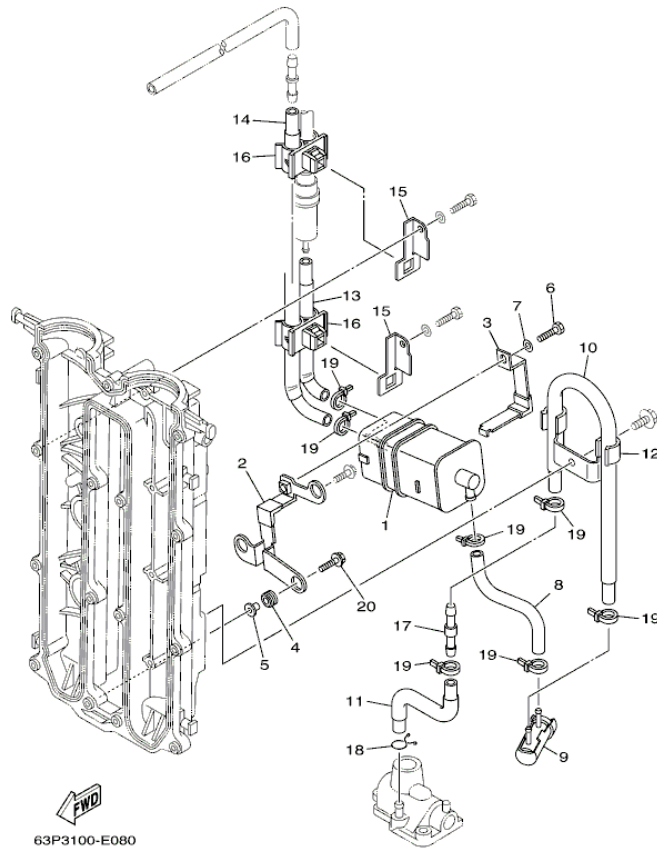
©2013 Yamaha Motor Corporation, U.S.A. All rights reserved.

Part List

F150TLR 0409 / INTAKE 1

REF - NO	PART NUMBER	PART NAME	QUANTITY	REMARKS
1	97575-08540-00	BOLT, WITH WASHER	5	
2	97013-08020-00	BOLT	2	
3	92903-08600-00	WASHER, PLATE	2	
4	91690-50014-00	PIN, SPRING	2	
5	63P-15373-00-00	PIPE, BREATHER	1	
6	90450-22M14-00	HOSE CLAMP ASSY	1	
7	90462-10023-00	CLAMP	1	
8	63P-15378-00-00	HOLDER	1	
9	90464-20006-00	CLAMP	1	
10	63P-14440-00-00	SILENCER ASSY, INTAKE	1	
11	63P-14449-00-00	.COLLAR	6	
12	63P-14457-00-00	.SEAL	4	
13	90386-08001-00	BUSH	4	
14	90119-06076-00	BOLT, WITH WASHER	2	
15	90387-06038-00	COLLAR	2	
16	90119-06M82-00	BOLT, WITH WASHER	6	

F150TLR 0409 / INTAKE 2



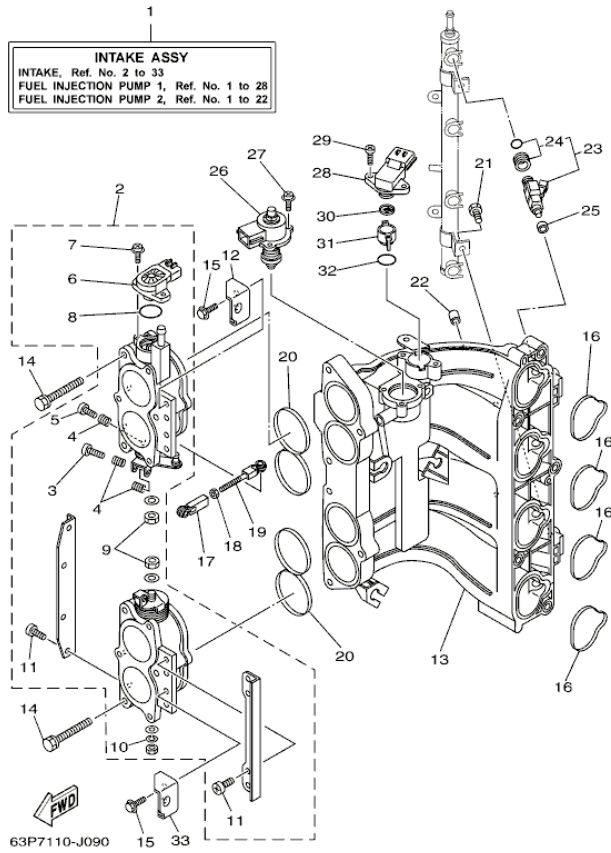
©2013 Yamaha Motor Corporation, U.S.A. All rights reserved.

Part List

F150TLR 0409 / INTAKE 2

REF - NO	PART NUMBER	PART NAME	QUANTITY	REMARKS
1	6P2-24170-00-00	CANISTER ASSY	1	
2	63P-2134X-00-00	BRACKET, CANISTER	1	
3	63P-2419A-00-00	HOLDER	1	
4	90480-10M23-00	GROMMET	3	
5	90387-06M60-00	COLLAR	3	
6	97095-06016-00	BOLT	1	
7	92995-06600-00	WASHER	1	
8	64P-24313-00-00	PIPE 3	1	
9	69J-24502-00-00	FILTER, FUEL	1	
10	64P-24312-00-00	PIPE 2	1	
11	64P-24311-00-00	PIPE, FUEL 1	1	
12	63P-24367-00-00	CLAMP, FUEL PIPE 2	1	
13	64P-24315-00-00	PIPE 5	1	
14	64P-24314-00-00	PIPE 4	1	
15	63P-24364-00-00	STAY	2	
16	90464-11012-00	CLAMP	2	
17	6E5-24379-00-00	PIPE, JOINT 4	1	
18	90467-09M09-00	CLIP	1	
19	90465-11M10-00	CLAMP	7	
20	90119-06135-00	BOLT, WITH WASHER	2	

F150TLR 0409 / INTAKE 3



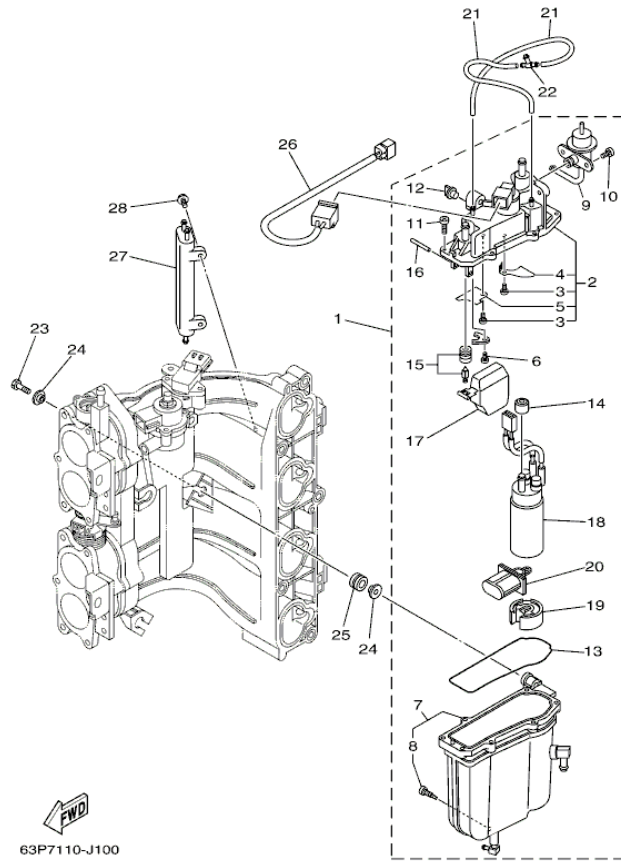
©2013 Yamaha Motor Corporation, U.S.A. All rights reserved.

Part List

F150TLR 0409 / INTAKE 3

REF - NO	PART NUMBER	PART NAME	QUANTITY	REMARKS
1	63P-14200-21-00	INTAKE ASSY	1	
2	63P-13751-01-00	BODY, THROTTLE 1	1	
3	69J-14321-00-00	.SCREW, THROTTLE	1	
4	68V-14331-00-00	.SPRING, THROTTLE VALVE	3	
5	68V-14323-00-00	.SCREW, AIR ADJUSTING	1	
6	6S1-85885-00-00	.THROTTLE SENSOR ASSY	1	
7	68V-81145-01-00	.SCREW 1	2	
8	68V-8182L-00-00	.O-RING 1	1	
9	3CF-14594-00-00	.NUT	2	
10	68V-14356-00-00	.WASHER, SPRING	1	
11	68V-14565-00-00	.SCREW	8	
12	63P-14291-00-00	BRACKET 1	1	
13	63P-13641-00-00	MANIFOLD, INTAKE 1	1	
14	63P-14496-00-00	BOLT	6	
15	97595-06516-00	BOLT, WITH WASHER	4	
16	63P-13645-00-00	GASKET, MANIFOLD 1	4	
17	6H4-41237-00-00	JOINT, LINK	1	
18	95380-05700-00	NUT	1	
19	682-41238-01-00	JOINT, LINK	1	
20	63P-13557-00-00	GASKET	2	
21	63P-14446-00-00	BOLT	2	
22	63P-13643-00-00	COVER, MANIFOLD	4	
23	63P-13761-00-00	INJECTOR	4	
24	68V-1410B-00-00	.PACKING KIT	1	
25	68V-13766-00-00	RUBBER, INJECTOR	4	
26	63P-1312A-01-00	VALVE, CONTROL	1	
27	68V-81146-01-00	SCREW 2	3	
28	63P-82380-00-00	SENSOR, PRESSURE	1	
29	68V-81147-00-00	SCREW 3	2	
30	63P-13905-00-00	FILTER COMP.	1	
31	63P-13898-00-00	HOLDER	1	
32	63P-13769-00-00	O-RING	1	
33	63P-14292-00-00	BRACKET 2	1	

F150TLR 0409 / FUEL INJECTION PUMP 1



©2013 Yamaha Motor Corporation, U.S.A. All rights reserved.


Part List

F150TLR 0409 / FUEL INJECTION PUMP 1

REF - NO	PART NUMBER	PART NAME	QUANTITY	REMARKS
1	63P-14180-01-00	FLOAT CHAMBER ASSY	1	
2	63P-14182-00-00	.COVER, FLOAT CHAMBER	1	
3	4SV-24453-00-00	..SCREW	2	
4	63P-2411R-00-00	..PLATE 1	1	
5	63P-2411T-00-00	..PLATE 2	1	
6	4SV-24453-00-00	.SCREW	1	
7	63P-14181-00-00	.BODY, FLOAT CHAMBER 1	1	
8	63P-14191-00-00	..PLUG, DRAIN	1	
9	63P-13906-00-00	.REGULATOR, PRESSURE	1	
10	63P-14565-00-00	.SCREW	2	
11	63P-14567-00-00	.SCREW	7	
12	69J-14225-01-00	.CAP	1	
13	63P-14984-00-00	.GASKET, FLOAT CHAMBER	1	
14	68V-13781-10-00	.DAMPER, PUMP	1	
15	63P-14546-00-00	.VALVE, NEEDLE	1	
16	68V-14386-00-00	.PIN, FLOAT	1	
17	63P-14985-00-00	.FLOAT	1	
18	63P-13907-02-00	.FUEL PUMP COMP	1	
19	63P-13784-00-00	.COVER, PUMP	1	
20	63P-13915-00-00	.FILTER	1	
21	63P-14148-00-00	PIPE	2	
22	69J-24379-00-00	.PIPE, JOINT 4	1	
23	63P-14777-00-00	BOLT	3	
24	69J-13716-00-00	.COLLAR	6	
25	6BM-13593-00-00	DAMPER	3	
26	63P-8259L-00-00	WIRE HARNESS ASSY 1	1	
27	69J-21841-02-00	COOLER	1	
28	68V-14446-00-00	BOLT	2	

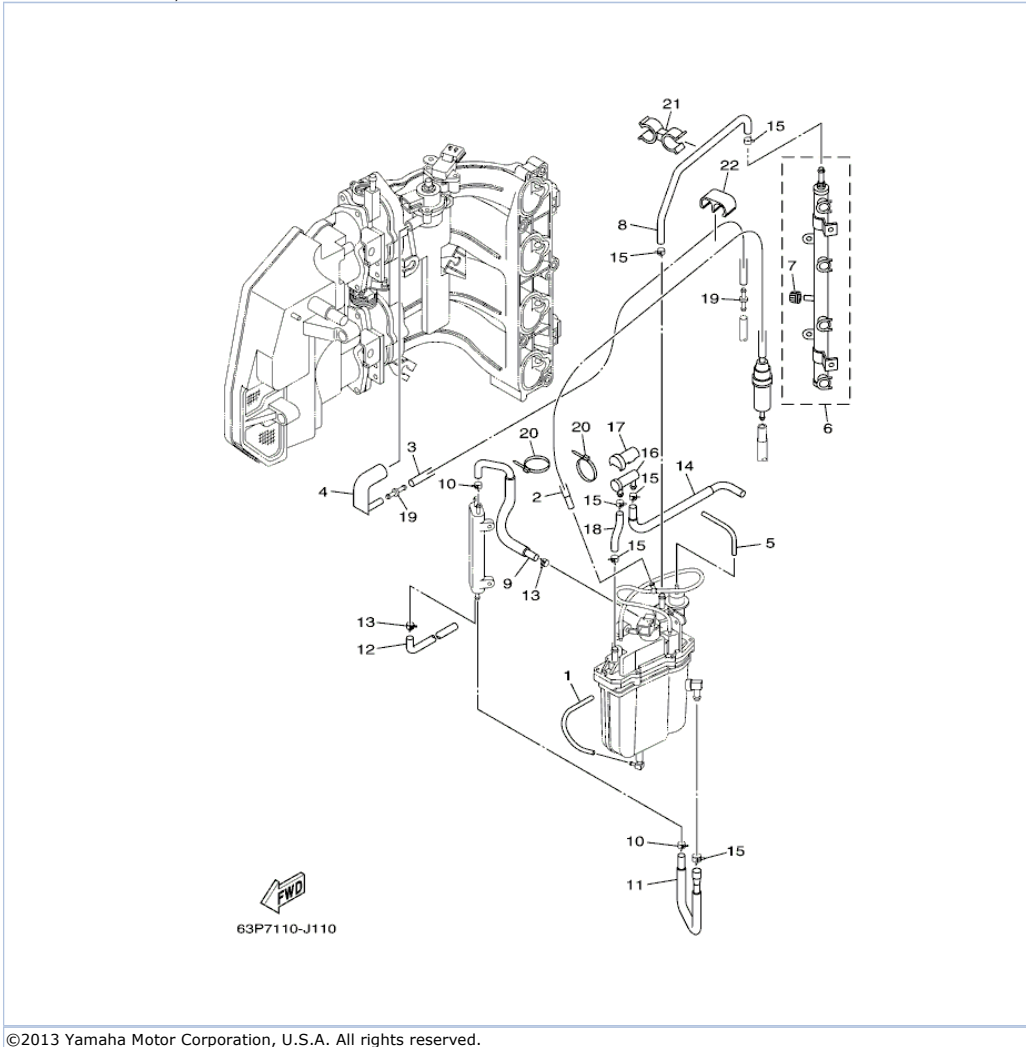
Part Notes

F150TLR 0409 / FUEL INJECTION PUMP 1

PART NUMBER	NOTE TEXT
63P-13915-00-00 	OEM: This part number is among the Top 100 Most Popular Marine Maintenance Parts as of August 2013.

©2013 Yamaha Motor Corporation, U.S.A. All rights reserved.

F150TLR 0409 / FUEL INJECTION PUMP 2



FWD
63P7110-J110

©2013 Yamaha Motor Corporation, U.S.A. All rights reserved.


Part List

F150TLR 0409 / FUEL INJECTION PUMP 2

REF - NO	PART NUMBER	PART NAME	QUANTITY	REMARKS
1	63P-14149-00-00	PIPE	1	
2	63P-13971-00-00	PIPE, FUEL 1	1	
3	63P-13546-00-00	HOSE 2	1	
4	63P-13545-00-00	HOSE 1	1	
5	63P-13532-10-00	HOSE, VACUUM SENSING 3	1	
6	63P-13160-00-00	DELIVERY PIPE ASSY 1	1	
7	63P-14225-00-00	.CAP	1	
8	63P-13974-20-00	PIPE, FUEL 4	1	
9	63P-13976-00-00	PIPE, FUEL 6	1	
10	68V-2411M-00-00	CLIP	2	
11	63P-24317-00-00	PIPE 7	1	
12	63P-2247B-00-00	HOSE 2	1	
13	68V-24519-00-00	CLIP	2	
14	63P-24325-00-00	PIPE 14	1	
15	68V-13577-00-00	CLIP	6	
16	69J-24501-10-00	FILTER, FUEL	1	
17	69J-24599-10-00	CAP	1	
18	63P-13975-00-00	PIPE, FUEL 5	1	
19	6P2-13758-00-00	PIPE, JOINT	2	
20	68V-2481H-00-00	CLAMP	2	
21	63P-2417H-00-00	CLAMP 1	1	
22	63P-2417J-00-00	CLAMP 2	1	

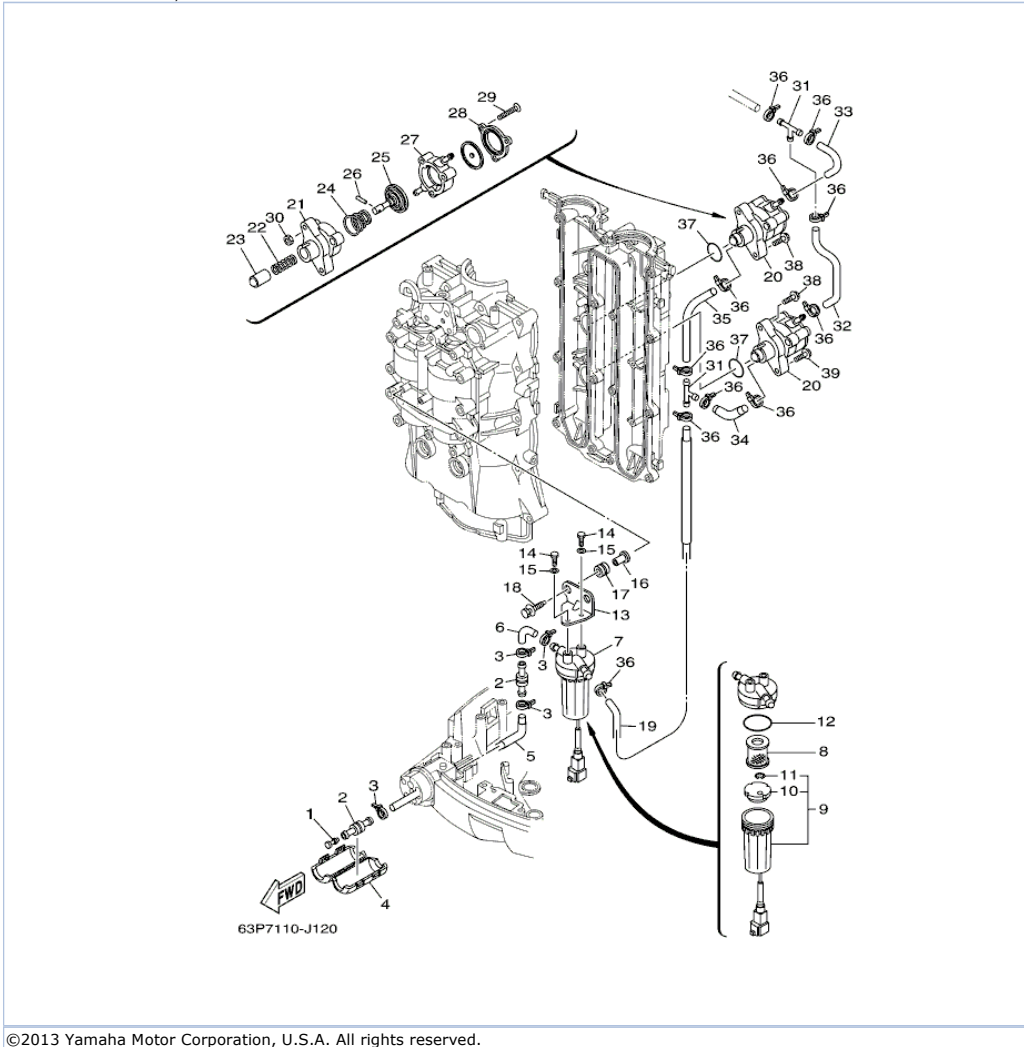
Part Notes

F150TLR 0409 / FUEL INJECTION PUMP 2

PART NUMBER	NOTE TEXT
69J-24501-10-00 	OEM: This part number is among the Top 100 Most Popular Marine Maintenance Parts as of August 2013.

©2013 Yamaha Motor Corporation, U.S.A. All rights reserved.

F150TLR 0409 / FUEL 1



©2013 Yamaha Motor Corporation, U.S.A. All rights reserved.


Part List

F150TLR 0409 / FUEL 1

REF - NO	PART NUMBER	PART NAME	QUANTITY	REMARKS
1	689-85547-00-00	DAMPER	1	
2	6R3-24377-10-00	PIPE, JOINT 2	2	
3	90465-11M10-00	CLAMP	4	
4	68V-24452-00-00	COVER	1	
5	63P-24316-10-00	PIPE 6	1	
6	61A-24311-00-00	PIPE, FUEL 1	1	
7	6P3-24560-01-00	FILTER ASSY	1	
8	6P3-24563-00-00	.ELEMENT, FILTER	1	
9	6P3-24562-01-00	.CUP, FILTER	1	
10	6P3-24469-00-00	..FLOAT, WATER LEVEL	1	
11	6P3-24519-00-00	..CLIP	1	
12	6P3-24564-00-00	.GASKET	1	
13	63P-24566-00-00	BRACKET, FILTER	1	
14	97095-06014-00	BOLT	2	
15	92995-06600-00	WASHER	2	
16	90387-06M60-00	COLLAR	2	
17	90480-10M23-00	GROMMET	2	
18	90119-06071-00	BOLT, WITH WASHER	2	
19	63P-24311-10-00	PIPE, FUEL 1	1	
20	63P-24410-00-00	FUEL PUMP ASSY	2	
21	68V-24412-00-00	.BODY 1	1	
22	68V-24454-00-00	.SPRING	1	
23	63P-13131-00-00	.PLUNGER	1	
24	63P-24423-00-00	.SPRING, DIAPHRAGM	1	
25	68V-24411-00-00	.DIAPHRAGM	1	
26	68V-24374-00-00	.PIN	1	
27	68V-24413-00-00	.BODY 2	1	
28	63P-24414-00-00	.BODY 3	1	
29	68V-24444-00-00	.SCREW	3	
30	68V-24149-00-00	.NUT	3	
31	6E5-24378-00-00	PIPE, JOINT 3	2	
32	63P-24314-00-00	PIPE 4	1	
33	63P-24315-00-00	PIPE 5	1	
34	63P-24312-10-00	PIPE 2	1	
35	63P-24313-10-00	PIPE 3	1	
36	90465-11M10-00	CLAMP	11	
37	93210-30682-00	.O-RING	2	
38	90119-06M83-00	BOLT, WITH WASHER	3	
39	90119-06135-00	BOLT, WITH WASHER	1	

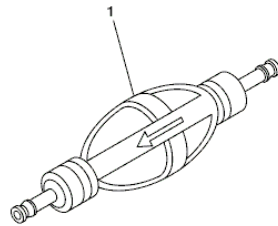
Part Notes

F150TLR 0409 / FUEL 1

PART NUMBER	NOTE TEXT
6P3-24564-00-00 	OEM: This part number is among the Top 100 Most Popular Marine Maintenance Parts as of August 2013.

©2013 Yamaha Motor Corporation, U.S.A. All rights reserved.

F150TLR 0409 / FUEL 2



68V9110-J110

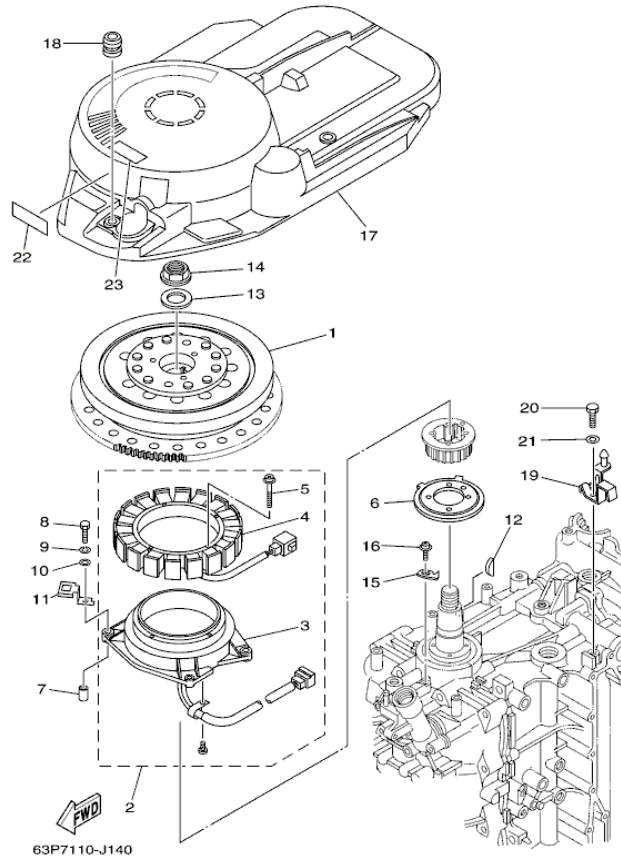
©2013 Yamaha Motor Corporation, U.S.A. All rights reserved.

Part List

F150TLR 0409 / FUEL 2

REF - NO	PART NUMBER	PART NAME	QUANTITY	REMARKS
1	6Y2-24360-70-00	PRIMER PUMP ASSY	1	AP

F150TLR 0409 / GENERATOR



©2013 Yamaha Motor Corporation, U.S.A. All rights reserved.


Part List

F150TLR 0409 / GENERATOR

REF - NO	PART NUMBER	PART NAME	QUANTITY	REMARKS
1	63P-81450-00-00	ROTOR ASSY	1	
2	63P-81460-00-00	BASE ASSY	1	
3	63P-85580-00-00	.COIL, PULSER	1	
4	63P-81410-00-00	.STATOR ASSY	1	
5	63D-81345-20-00	.SCREW, WITH WASHER (M6X30)	4	
6	63P-81673-01-00	ROTOR	1	
7	99530-08012-00	PIN, DOWEL	2	
8	97095-06035-00	BOLT	4	
9	92995-06100-00	WASHER, SPRING	4	
10	92995-06600-00	WASHER	4	
11	63P-81845-00-00	PLATE	2	
12	90280-05015-00	KEY, WOODRUFF	1	
13	90201-24014-00	WASHER, PLATE	1	
14	90179-24002-00	NUT	1	
15	6P2-81332-00-00	PLATE, TIMING	1	
16	97985-06210-00	SCREW, WITH WASHER	1	
17	63P-81337-00-00	COVER, FLYWHEEL	1	
18	663-82317-01-00	DAMPER, IGNITION COIL	3	
19	63P-8132G-00-00	PLATE	1	
20	97095-06016-00	BOLT	1	
21	92995-06600-00	WASHER	1	
22	63P-13437-42-00	MARK, CAUTION	1	
23	6AH-81994-40-00	LABEL, SAFETY	1	

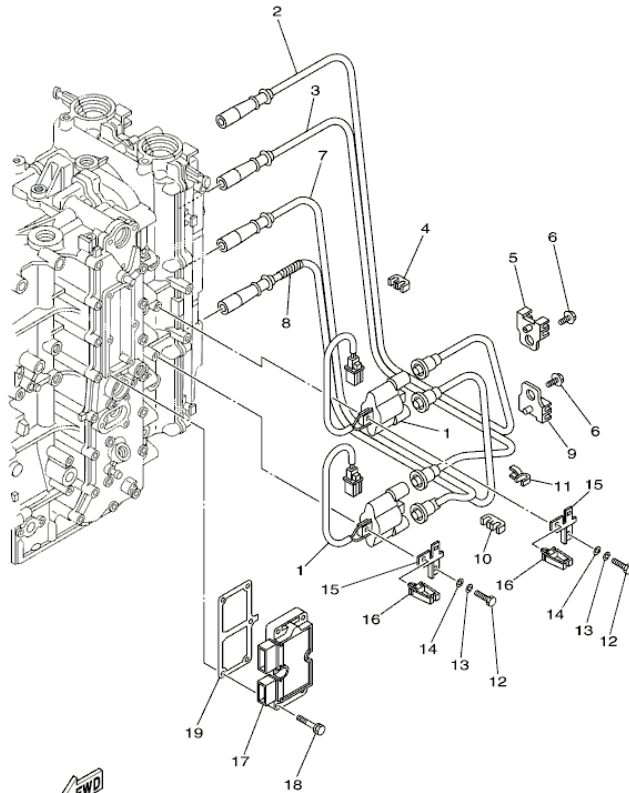
Part Notes

F150TLR 0409 / GENERATOR

PART NUMBER	NOTE TEXT
92995-06100-00 	OEM: This part number is among the Top 100 Most Popular Marine Maintenance Parts as of August 2013.

©2013 Yamaha Motor Corporation, U.S.A. All rights reserved.

F150TLR 0409 / ELECTRICAL 1




63P7110-J150

©2013 Yamaha Motor Corporation, U.S.A. All rights reserved.


Part List

F150TLR 0409 / ELECTRICAL 1

REF - NO	PART NUMBER	PART NAME	QUANTITY	REMARKS
1	63P-82310-01-00	IGNITION COIL ASSY	2	
2	63P-82341-00-00	CORD, HIGH TENSION 1	1	
3	63P-82342-00-00	CORD, HIGH TENSION 2	1	
4	67F-82361-00-00	CLAMP, CORD	1	
5	67F-82362-00-00	CLAMP, CORD 2	1	
6	90119-06134-00	BOLT, WITH WASHER	2	
7	63P-82343-00-00	CORD, HIGH TENSION 3	1	
8	63P-82344-01-00	CORD, HIGH TENSION 4	1	
9	67F-82362-00-00	CLAMP, CORD 2	1	
10	67F-82361-00-00	CLAMP, CORD	1	
11	90464-07M41-00	CLAMP	1	
12	97095-06025-00	BOLT	4	
13	92995-06100-00	WASHER, SPRING	4	
14	92995-06600-00	WASHER	4	
15	63P-82388-00-00	PLATE	2	
16	90464-05141-00	CLAMP	2	
17	63P-81960-01-00	RECTIFIER & REGULATOR ASSY	1	
18	90119-06MA4-00	BOLT, WITH WASHER	6	
19	63P-81975-00-00	PLATE, RECTIFIER FITTING	1	

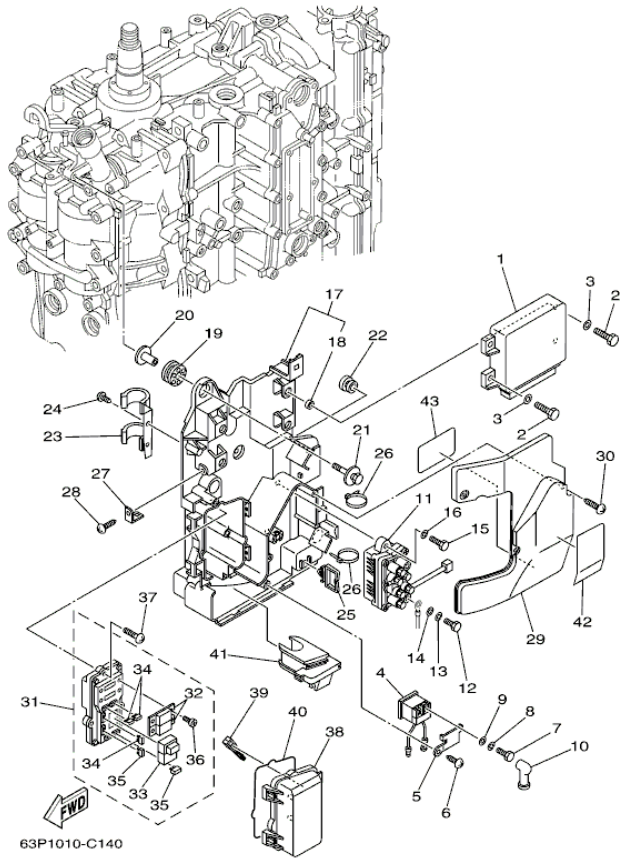
Part Notes

F150TLR 0409 / ELECTRICAL 1

PART NUMBER	NOTE TEXT
92995-06100-00 	OEM: This part number is among the Top 100 Most Popular Marine Maintenance Parts as of August 2013.

©2013 Yamaha Motor Corporation, U.S.A. All rights reserved.

F150TLR 0409 / ELECTRICAL 2



©2013 Yamaha Motor Corporation, U.S.A. All rights reserved.



Part List

F150TLR 0409 / ELECTRICAL 2

REF - NO	PART NUMBER	PART NAME	QUANTITY	REMARKS
1	63P-8591A-34-00	ENGINE CONTROL UNIT ASSY	1	
2	97095-06016-00	BOLT	4	
3	92995-06600-00	WASHER	4	
4	68V-8194A-00-00	RELAY	1	
5	68V-81953-00-00	STAY, RELAY	1	
6	97780-60620-00	SCREW, TAPPING	1	
7	97095-06010-00	BOLT	2	
8	92995-06100-00	WASHER, SPRING	2	
9	92995-06600-00	WASHER	2	
10	6G5-82119-00-00	COVER, LEAD WIRE	2	
11	63P-81950-00-00	RELAY ASSY	1	
12	97095-06010-00	BOLT	2	
13	92995-06100-00	WASHER, SPRING	2	
14	92995-06600-00	WASHER	2	
15	97013-06020-00	BOLT	2	
16	92903-06600-00	WASHER, PLATE	2	
17	63P-81948-00-00	BRACKET	1	
18	90387-06010-00	.COLLAR	4	
19	68F-85516-01-00	SPACER	3	
20	90387-06176-00	COLLAR	3	
21	68F-85119-00-00	BOLT	3	
22	90480-10627-00	GROMMET	1	
23	63P-82594-00-00	CLAMP	1	
24	97780-60620-00	SCREW, TAPPING	1	
25	90464-23199-00	CLAMP	1	
26	90465-13M18-00	CLAMP	3	
27	68V-85548-00-00	HOLDER	1	
28	97780-60620-00	SCREW, TAPPING	1	
29	63P-81942-00-00	COVER	1	
30	90169-05M00-00	SCREW, TRUSS HEAD TAPPING	3	
31	63P-82170-00-00	FUSE BOX ASSY	1	
32	63P-82151-00-00	.FUSE (50A)	2	
33	68F-8195A-00-00	.RELAY ASSY	1	
34	67F-82151-00-00	.FUSE (20A)	3	
35	67F-82151-10-00	.FUSE (30A)	2	
36	68F-82846-00-00	.SCREW, PAN HEAD (M5)	4	
37	97780-50620-00	SCREW, TAPPING	3	
38	60V-85544-00-00	CASE	1	
39	67F-2812A-00-00	.PULLER, FUSE	1	
40	68F-82176-00-00	DAMPER	1	
41	63P-81336-00-00	GROMMET	1	
42	63P-81919-00-00	GRAPHIC, REGULATOR	1	
43	63P-81919-10-00	GRAPHIC, REGULATOR	1	

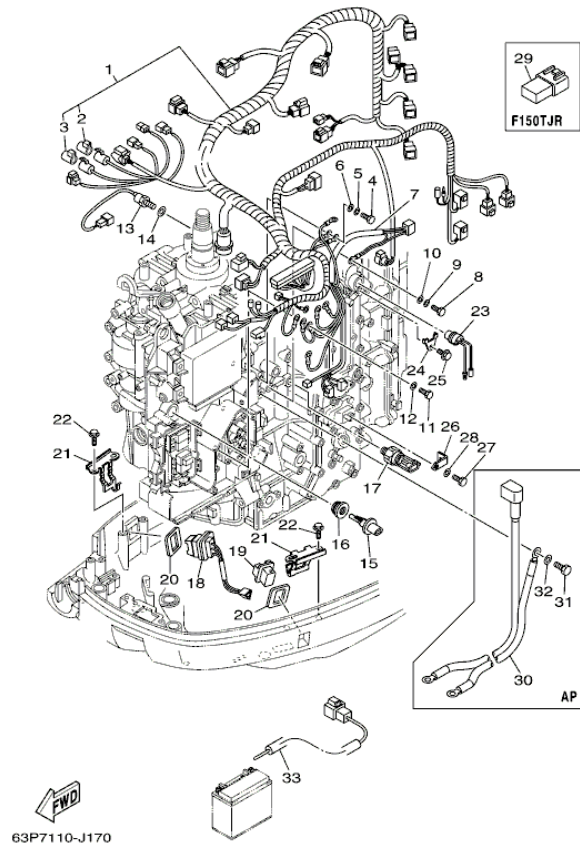
Part Notes

F150TLR 0409 / ELECTRICAL 2

PART NUMBER	NOTE TEXT
92995-06100-00 	OEM: This part number is among the Top 100 Most Popular Marine Maintenance Parts as of August 2013.
92995-06100-00 	OEM: This part number is among the Top 100 Most Popular Marine Maintenance Parts as of August 2013.

©2013 Yamaha Motor Corporation, U.S.A. All rights reserved.

F150TLR 0409 / ELECTRICAL 3



©2013 Yamaha Motor Corporation, U.S.A. All rights reserved.




Part List

F150TLR 0409 / ELECTRICAL 3

REF - NO	PART NUMBER	PART NAME	QUANTITY	REMARKS
1	63P-82590-30-00	WIRE HARNESS ASSY	1	
2	6P2-82582-00-00	.CAP 1 (FEMALE)	1	
3	6P2-82582-10-00	.CAP 1 (MALE)	1	
4	97095-06020-00	BOLT	1	
5	92995-06100-00	WASHER, SPRING	1	
6	92995-06600-00	WASHER	1	
7	63P-8259M-00-00	WIRE HARNESS ASSY 2	1	
8	97095-06020-00	BOLT	1	
9	92995-06100-00	WASHER, SPRING	1	
10	92995-06600-00	WASHER	1	
11	97095-06012-00	BOLT	1	
12	92995-06600-00	WASHER	1	
13	61A-85790-00-00	THERMOSENSOR ASSY	1	
14	92990-10600-00	WASHER, PLATE	1	
15	63P-85886-00-00	SENSOR, AIR TEMPERATURE	1	
16	63P-14435-00-00	GROMMET	1	
17	6AW-83651-00-00	SENDER, OIL PRESSURE	1	
18	69J-82563-00-00	TRIM & TILT SWITCH ASSY	1	
19	69J-42723-00-8D	COVER, BOTTOM	1	
20	69J-82587-00-00	GASKET	2	
21	63P-83614-00-00	BRACKET	2	
22	90109-06M86-00	BOLT	4	
23	6P2-82560-01-00	THERMO SWITCH ASSY	1	
24	6E9-82588-00-00	PLATE	1	
25	90109-06M80-00	BOLT	1	
26	63P-8366P-00-00	BRACKET 4	1	
27	97095-06012-00	BOLT	1	
28	92995-06600-00	WASHER	1	
30	63P-82105-00-00	BATTERY CABLE	1	AP
31	97095-08016-00	BOLT	1	AP
32	92995-08600-00	WASHER	1	AP
33	68F-81949-02-00	WIRE, LEAD (ISOLATOR, 2.7M)	1	AP

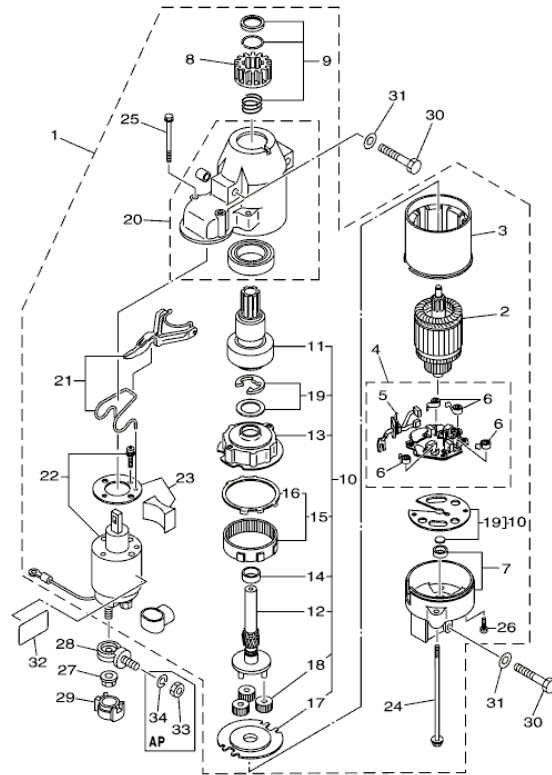
Part Notes

F150TLR 0409 / ELECTRICAL 3

PART NUMBER		NOTE TEXT
92995-06100-00		OEM: This part number is among the Top 100 Most Popular Marine Maintenance Parts as of August 2013.
92995-06100-00		OEM: This part number is among the Top 100 Most Popular Marine Maintenance Parts as of August 2013.
92990-10600-00		OEM: This part number is among the Top 100 Most Popular Marine Maintenance Parts as of August 2013.

©2013 Yamaha Motor Corporation, U.S.A. All rights reserved.

F150TLR 0409 / STARTING MOTOR



63P5110-G180

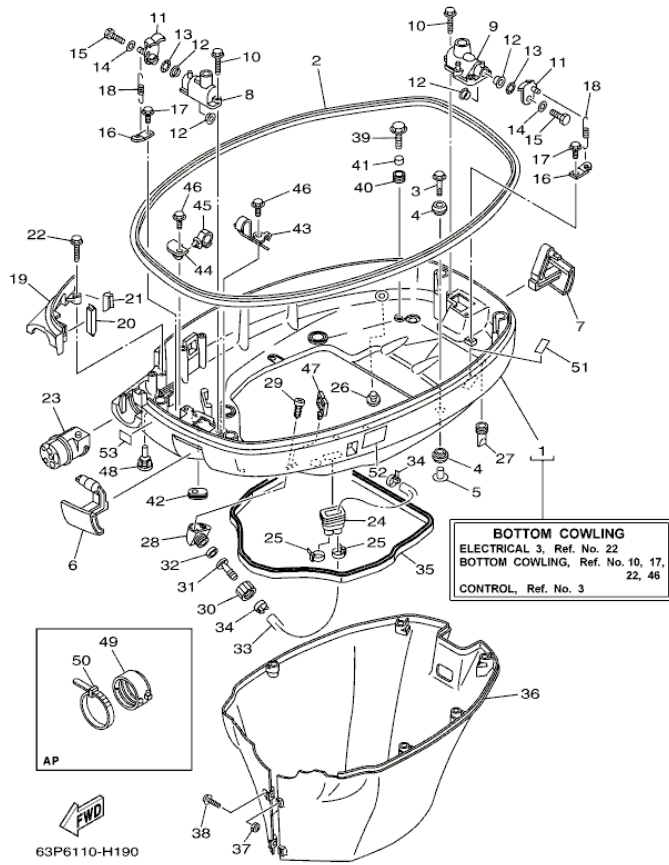
©2013 Yamaha Motor Corporation, U.S.A. All rights reserved.

Part List

F150TLR 0409 / STARTING MOTOR

REF - NO	PART NUMBER	PART NAME	QUANTITY	REMARKS
1	6BR-81800-00-00	STARTING MOTOR ASSY	1	
2	67F-81850-00-00	.ARMATURE ASSY	1	
3	67F-81810-00-00	.STATOR ASSY	1	
4	69J-81840-00-00	.BRUSH HOLDER ASSY	1	
5	69J-81801-00-00	..BRUSH SET	1	
6	67F-81813-00-00	..SPRING, BRUSH	4	
7	67F-81820-00-00	.REAR BRACKET ASSY	1	
8	67F-81808-00-00	.PINION ASSY	1	
9	67F-81857-00-00	.PINION STOPPER SET	1	
10	67F-81807-00-00	.GEAR ASSY, STARTING MOTOR	1	
11	67F-81832-00-00	..CLUTCH, OVER RUN	1	
12	67F-81836-00-00	..SHAFT, PINION	1	
13	67F-81821-00-00	..BRACKET, CENTER 1	1	
14	67F-81841-00-00	..BEARING	1	
15	67F-81891-00-00	..GEAR, RING	1	
16	67F-8183R-00-00	...GASKET	1	
17	67F-81830-00-00	..BRACKET, CENTER 2	1	
18	60V-8183T-00-00	..GEAR, IDLER	3	
19	67F-81809-00-00	..WASHER KIT	1	
20	69J-81842-00-00	.COVER	1	
21	69J-81839-00-00	.LEVER ASSY	1	
22	63P-81941-00-00	.STARTER RELAY ASSY	1	
23	69J-81869-00-00	.COVER, DUST	1	
24	6K7-81826-11-00	.BOLT	2	
25	69J-81828-00-00	.SCREW 2	2	
26	67F-81846-00-00	.SCREW	2	
27	90179-08003-00	NUT	1	
28	60V-81925-00-00	TERMINAL	1	
29	68F-82582-00-00	COVER, WIRE HARNESS	1	
30	97013-08045-00	BOLT	3	
31	92903-08600-00	WASHER, PLATE	3	
32	67F-83627-01-00	LABEL, CAUTION 7	1	
33	95333-08600-00	NUT	1	AP
34	92903-08100-00	WASHER, SPRING	1	AP

F150TLR 0409 / BOTTOM COWLING



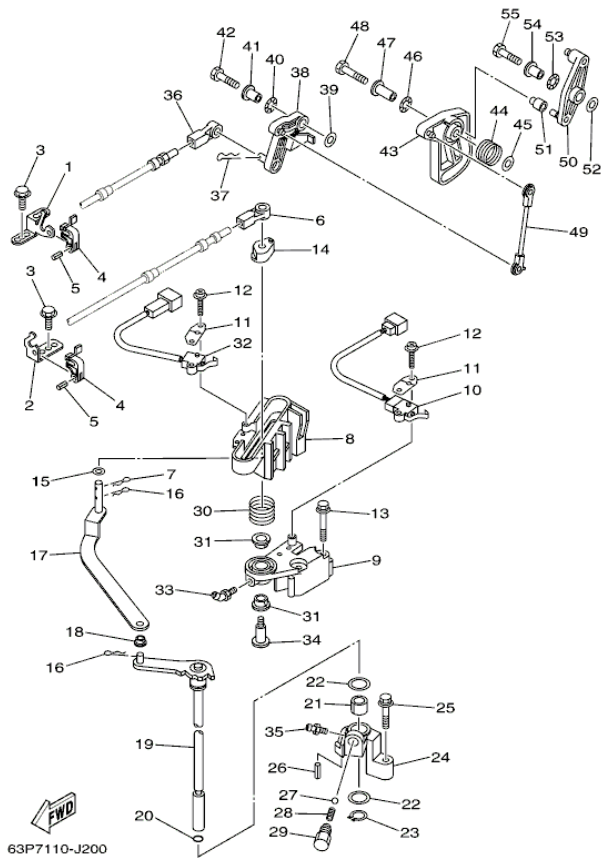
©2013 Yamaha Motor Corporation, U.S.A. All rights reserved.

Part List

F150TLR 0409 / BOTTOM COWLING

REF - NO	PART NUMBER	PART NAME	QUANTITY	REMARKS
1	63P-42710-01-8D	BOTTOM COWLING ASSY	1	
2	63P-42615-00-00	SEAL	1	
3	90119-08M22-00	BOLT, WITH WASHER	4	
4	90480-22M81-00	GROMMET	8	
5	90387-08M37-00	COLLAR	4	
6	63P-42815-00-8D	LEVER, CLAMP	1	
7	63P-42816-00-8D	LEVER, CLAMP	1	
8	68F-42828-03-8D	PLATE, CLAMP	1	
9	63P-42828-00-8D	PLATE, CLAMP	1	
10	90109-06M82-00	BOLT	4	
11	63P-42818-01-00	LEVER, CLAMP	2	
12	90386-15M73-00	BUSH	4	
13	90206-15M18-00	WASHER, WAVE	2	
14	90201-06068-00	WASHER, PLATE	2	
15	97095-06020-00	BOLT	2	
16	64D-43144-00-00	HOOK, SPRING	2	
17	90109-06M86-00	BOLT	2	
18	90506-16M34-00	SPRING, TENSION	2	
19	63P-42738-00-8D	PLATE, FITTING	1	
20	63P-42717-00-00	RUBBER, SEAL 2	1	
21	63P-42718-00-00	RUBBER, SEAL 3	1	
22	90109-06M82-00	BOLT	2	
23	63P-42725-00-00	GROMMET	1	
24	6H1-42726-21-00	GROMMET	1	
25	90465-11M10-00	CLAMP	2	
26	6P2-44391-00-00	NIPPLE, HOSE	1	
27	61A-42717-00-00	RUBBER, SEAL 2	4	
28	68T-12572-00-00	ADAPTER	1	
29	97780-60520-00	SCREW, TAPPING	2	
30	6R3-12581-00-00	JOINT, HOSE 1	1	
31	6R3-12582-00-00	JOINT, HOSE 2	1	
32	6R3-12583-00-00	GASKET, HOSE JOINT	1	
33	63P-42541-00-00	PIPE 1	1	
34	90465-11M10-00	CLAMP	2	
35	63P-42716-00-00	RUBBER, SEAL 1	1	
36	63P-42741-01-8D	APRON	1	
37	95380-06600-00	NUT, HEXAGON	2	
38	90159-06M28-00	SCREW, WITH WASHER	2	
39	90109-06M80-00	BOLT	4	
40	90480-13M24-00	GROMMET	4	
41	90387-06M43-00	COLLAR	4	
42	61A-42727-00-00	GROMMET	1	
43	63P-42811-01-00	STAY	1	
44	63P-42756-00-00	STAY, CLAMP	1	
45	90464-20181-00	CLAMP	1	
46	90109-06M86-00	BOLT	2	
47	90464-23199-00	CLAMP	1	
48	6H4-42748-00-00	GROMMET	2	
49	68F-42753-00-00	FASTNER	1	AP
50	90464-20258-00	CLAMP	1	AP
51	67F-82377-00-00	LABEL	1	
52	6AH-42794-40-00	LABEL, WARNING (GENERAL)	1	
53	6AH-81996-00-00	MARK	1	

F150TLR 0409 / CONTROL



©2013 Yamaha Motor Corporation, U.S.A. All rights reserved.


Part List

F150TLR 0409 / CONTROL

REF - NO	PART NUMBER	PART NAME	QUANTITY	REMARKS
1	63P-48531-00-00	BRACKET, REMOTE CONTROL 1	1	
2	63P-48532-00-00	BRACKET, REMOTE CONTROL 2	1	
3	90109-06M86-00	BOLT	3	
4	63P-48538-00-00	CLAMP, CABLE 1	2	
5	91690-30010-00	PIN, SPRING	2	
6	6E5-48344-00-00	CABLE END, REMOTE CONTROL	1	
7	90468-18008-00	CLIP	1	
8	63P-44176-00-94	BRACKET	1	
9	63P-44117-00-94	BRACKET	1	
10	69J-8259F-00-00	SWITCH ASSY	1	
11	61A-82588-01-00	PLATE	2	EXCEPT JET-DRIVE
12	97985-04116-00	SCREW, WITH WASHER	4	EXCEPT JET-DRIVE
13	97595-06550-00	BOLT, WITH WASHER	2	
14	63P-44122-00-00	BUSHING, SHIFT ROD LEVER	1	
15	90202-08M20-00	WASHER, PLATE	1	
16	90468-18008-00	CLIP	2	
17	63P-44121-00-00	LEVER, SHIFT ROD	1	
18	90386-06M12-00	BUSH	1	
19	63P-44120-00-00	HANDLE GEAR SHIFT ASSY	1	
20	93210-09165-00	O-RING	1	
21	90386-16M66-00	BUSH	1	
22	90202-16061-00	WASHER, PLATE	2	
23	93410-16006-00	CIRCLIP	1	
24	63P-44118-00-94	BRACKET	1	
25	97575-06535-00	BOLT, WITH WASHER	1	
26	91690-30010-00	PIN, SPRING	1	
27	93501-04M02-00	BALL	1	
28	90501-12082-00	SPRING, COMPRESSION	1	
29	648-42715-00-00	BUSHING	1	
30	90508-20M31-00	SPRING, TORSION	1	
31	90386-12069-00	BUSH	2	
32	60V-8259F-00-00	SWITCH ASSY	1	EXCEPT JET-DRIVE
33	93700-06M01-00	NIPPLE, GREASE	1	
34	90109-08019-00	BOLT	1	
35	93700-06M03-00	NIPPLE, GREASE	1	
36	6E5-48344-00-00	CABLE END, REMOTE CONTROL	1	
37	90468-18008-00	CLIP	1	
38	63P-42154-00-00	LEVER, THROTTLE CONTROL	1	
39	90201-06M31-00	WASHER, PLATE	1	
40	90206-10M04-00	WASHER, WAVE	1	
41	90387-06M29-00	COLLAR	1	
42	97095-06025-00	BOLT	1	
43	63P-41213-00-00	CAM, ACCEL.	1	
44	69J-44135-00-00	SPRING	1	
45	90201-06M31-00	WASHER, PLATE	1	
46	90206-10M04-00	WASHER, WAVE	1	
47	90387-06M82-00	COLLAR	1	
48	97095-06035-00	BOLT	1	
49	63P-41237-00-00	JOINT, LINK	1	
50	63P-42157-00-00	LEVER, THROTTLE	1	
51	68V-42171-00-00	BUSHING	1	
52	90201-06M31-00	WASHER, PLATE	1	
53	90206-10M04-00	WASHER, WAVE	1	
54	90387-06M29-00	COLLAR	1	
55	97095-06025-00	BOLT	1	

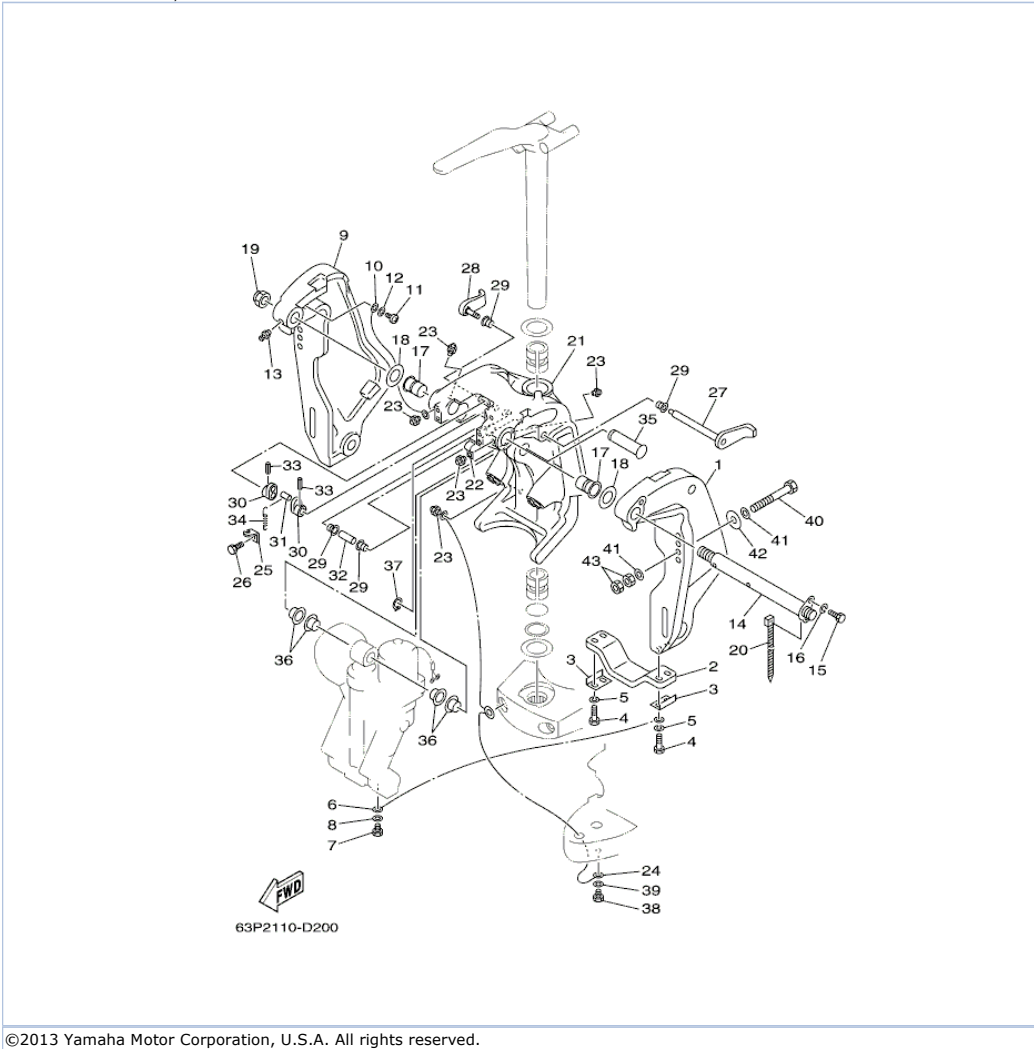
Part Notes

F150TLR 0409 / CONTROL

PART NUMBER	NOTE TEXT
93700-06M03-00 	OEM: This part number is among the Top 100 Most Popular Marine Maintenance Parts as of August 2013.

©2013 Yamaha Motor Corporation, U.S.A. All rights reserved.

F150TLR 0409 / BRACKET 1



©2013 Yamaha Motor Corporation, U.S.A. All rights reserved.





Part List

F150TLR 0409 / BRACKET 1

REF - NO	PART NUMBER	PART NAME	QUANTITY	REMARKS
1	64E-43111-02-8D	BRACKET, CLAMP 1	1	
2	6G5-45251-02-00	ANODE	1	
3	6G5-44526-00-00	PLATE	2	
4	97095-06030-00	BOLT	4	
5	92995-06100-00	WASHER, SPRING	4	
6	6E5-82148-00-00	WIRE, LEAD 4	1	
7	97095-06010-00	BOLT	1	
8	92995-06600-00	WASHER	1	
9	64E-43112-02-8D	BRACKET, CLAMP 2	1	
10	6E5-82148-00-00	WIRE, LEAD 4	1	
11	97885-06012-00	SCREW, PAN HEAD	1	
12	92995-06600-00	WASHER	1	
13	93700-06M03-00	NIPPLE, GREASE	1	
14	64E-43131-01-00	BOLT, CLAMP BRACKET	1	
15	97095-08020-00	BOLT	1	
16	92995-08100-00	WASHER	1	
17	90386-25M31-00	BUSH	2	
18	90201-26M59-00	WASHER, PLATE	2	
19	90185-22M11-00	NUT, SELF-LOCKING	1	
20	90465-11M10-00	CLAMP	1	
21	64E-43311-10-8D	BRACKET, SWIVEL 1	1	
22	90465-08M63-00	CLAMP	1	
23	93700-06M03-00	NIPPLE, GREASE	5	
24	66K-82149-00-00	WIRE, LEAD 3	1	
25	6G5-43144-00-00	HOOK, SPRING	1	
26	97095-06010-00	BOLT	1	
27	6G5-43181-02-00	LEVER, TILT STOP 1	1	
28	6G5-43185-02-00	LEVER, TILT STOP 2	1	
29	90386-10M16-00	BUSH	4	
30	6G5-43148-00-00	COLLAR, DISTANCE	2	
31	90249-06M19-00	PIN	1	
32	90387-10M05-00	COLLAR	1	
33	91690-30020-00	PIN, SPRING	2	
34	90506-16003-00	SPRING, TENSION	1	
35	64E-43126-00-00	PIN, UPPER SHOCK MOUNT	1	
36	90386-22M98-00	BUSH	4	
37	93410-22M11-00	CIRCLIP	1	
38	97095-06010-00	BOLT	1	
39	92995-06600-00	WASHER	1	
40	90101-12M77-00	BOLT (L:150MM)	2	UR
40	90101-12M05-00	BOLT (L:130MM)	4	UR
41	90201-13M01-00	WASHER, PLATE	8	
42	90201-12M05-00	WASHER, PLATE	4	
43	95380-12600-00	NUT	8	

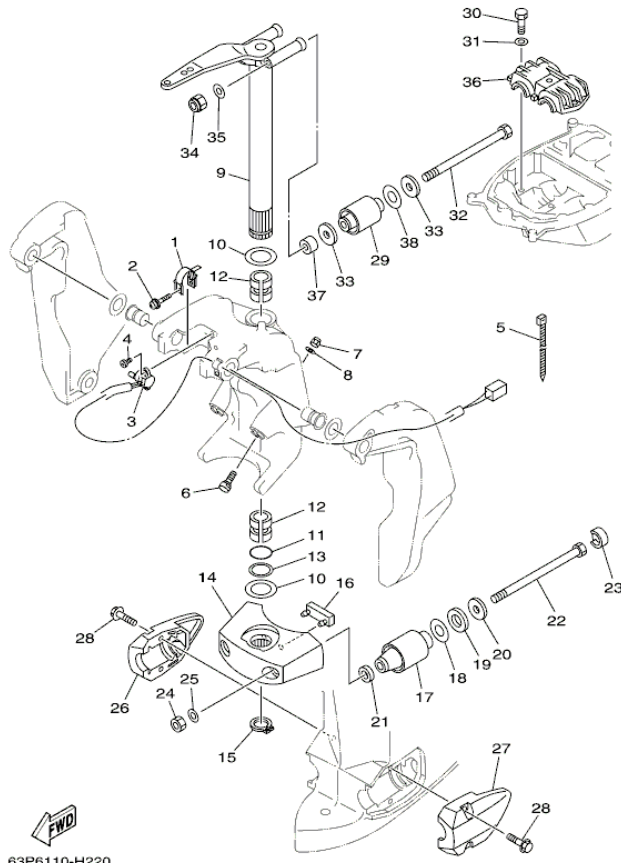
Part Notes

F150TLR 0409 / BRACKET 1

PART NUMBER		NOTE TEXT
6G5-45251-02-00		OEM: This part number is among the Top 100 Most Popular Marine Maintenance Parts as of August 2013.
92995-06100-00		OEM: This part number is among the Top 100 Most Popular Marine Maintenance Parts as of August 2013.
93700-06M03-00		OEM: This part number is among the Top 100 Most Popular Marine Maintenance Parts as of August 2013.
93700-06M03-00		OEM: This part number is among the Top 100 Most Popular Marine Maintenance Parts as of August 2013.

©2013 Yamaha Motor Corporation, U.S.A. All rights reserved.

F150TLR 0409 / BRACKET 2



63P6110-H220

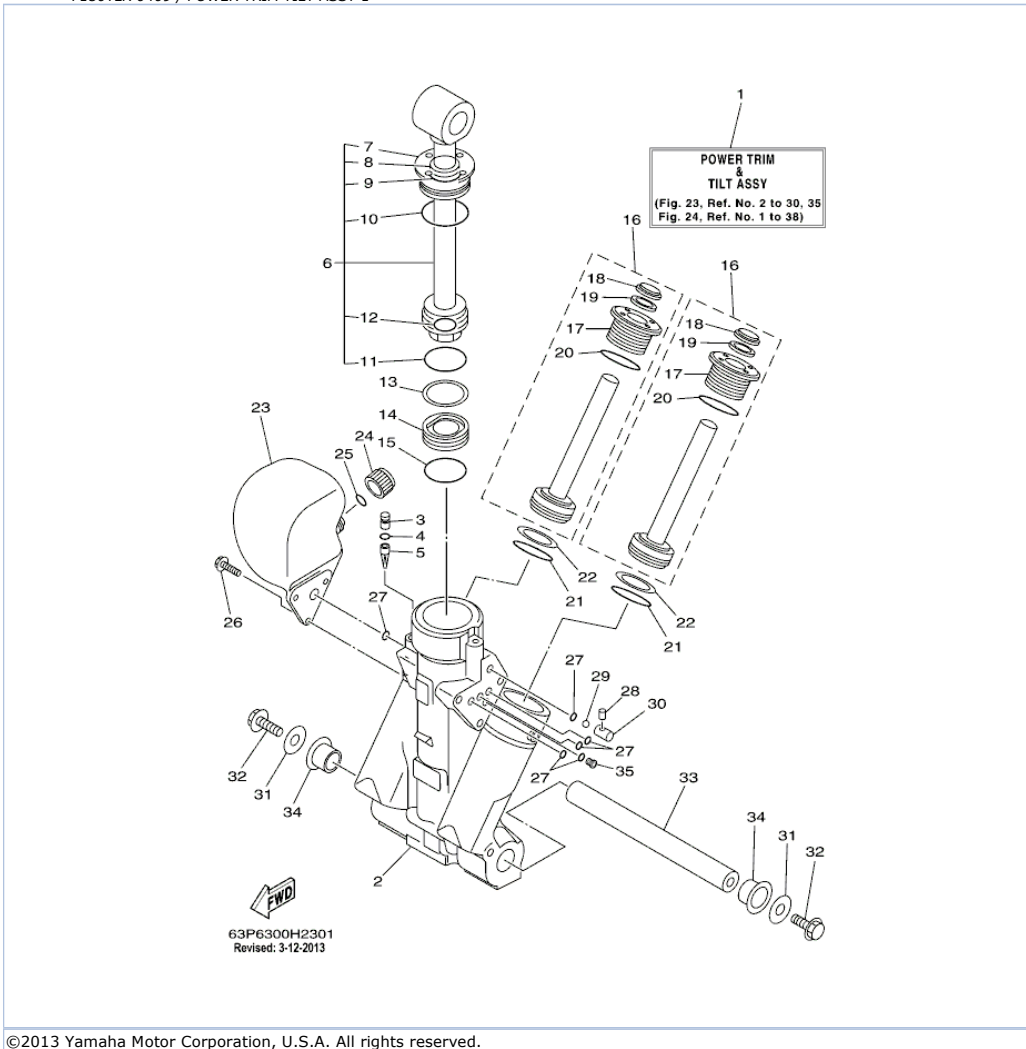
©2013 Yamaha Motor Corporation, U.S.A. All rights reserved.

Part List

F150TLR 0409 / BRACKET 2

REF - NO	PART NUMBER	PART NAME	QUANTITY	REMARKS
1	64E-43139-10-00	CAM, TRIM SENDER	1	
2	90159-05059-00	SCREW, WITH WASHER	1	
3	67H-83672-00-00	TRIM SENDER	1	
4	97885-06016-00	SCREW, PAN HEAD	2	
5	90465-11M10-00	CLAMP	3	
6	63P-43376-00-00	BOLT, THRUST RECEIVER	2	
7	95780-10300-00	NUT, FLANGE	2	
8	92995-10600-00	WASHER	2	
9	66K-42510-02-8D	STEERING BRACKET ASSY	1	
10	90201-38M60-00	WASHER, PLATE	2	
11	93210-37MH7-00	O-RING	1	
12	90386-38M32-00	BUSH	2	
13	90202-40M47-00	WASHER, PLATE	1	
14	68V-44551-00-8D	HOUSING, LOWER MOUNT RUBBER 1	1	
15	93410-37M04-00	CIRCLIP	1	
16	61A-44575-00-00	DAMPER, LOWER MOUNT RUBBER	1	
17	60V-44555-00-94	MOUNT DAMPER, LOWER SIDE	2	L(20.3")
18	90201-35008-00	WASHER, PLATE	2	
19	90202-32M19-00	WASHER, PLATE	2	
20	90201-16M55-00	WASHER, PLATE	2	
21	90201-15M58-00	WASHER, PLATE	2	
22	90109-14007-00	BOLT	2	
23	69J-44533-00-00	DAMPER, UPPER MOUNT RUBBER	2	
24	95380-14600-00	NUT	2	
25	92995-14600-00	WASHER	2	
26	63P-44553-00-8D	COVER, LOWER MOUNT	1	
27	63P-44556-00-8D	COVER, LOWER MOUNT 2	1	
28	90119-10049-00	BOLT, WITH WASHER	4	
29	63P-44514-00-94	MOUNT DAMPER, UPPER SIDE	2	
30	97075-10045-00	BOLT	3	
31	92995-10600-00	WASHER	3	
32	90109-14005-00	BOLT	2	
33	90201-16M01-00	WASHER, PLATE	4	
34	90185-14M00-00	NUT, SELF-LOCKING	2	
35	92995-14600-00	WASHER	2	
36	63P-44511-00-94	COVER, UPPER MOUNT	1	
37	90387-14004-00	COLLAR	2	
38	90202-28001-00	WASHER, PLATE	2	

F150TLR 0409 / POWER TRIM TILT ASSY 1







Part List

F150TLR 0409 / POWER TRIM TILT ASSY 1

REF - NO	PART NUMBER	PART NAME	QUANTITY	REMARKS
1	63P-43800-03-00	POWER TRIM & TILT ASSY	1	
2	64E-43825-03-00	HOUSING, TRIM & TILT	1	
3	6AW-4388J-00-00	PLUG 2	1	
4	93210-10M74-00	O-RING	1	
5	64E-43817-00-00	FILTER 2	1	
6	63P-43810-02-00	TILT PISTON SUB ASSY	1	
7	64E-43811-02-00	.SCREW, CYLINDER END	1	
8	64E-43898-00-00	.SEAL, DUST 2	1	
9	64E-43867-00-00	.O-RING	1	
10	64E-43866-00-00	.O-RING	1	
11	6E5-43862-00-00	.O-RING	1	
12	64E-43883-00-00	.O-RING	1	
13	6E5-43872-00-00	RING, BACK UP	1	
14	6E5-43814-02-00	PISTON, FREE	1	
15	6E5-43862-00-00	O-RING	1	
16	64E-43820-02-00	TRIM PISTON SUB ASSY	2	
17	64E-43821-02-00	.SCREW, TRIM CYLINDER END	1	
18	64E-43822-00-00	.SEAL, TRIM DUST	1	
19	64E-4384J-00-00	.SEAL, TRIM DOWN	1	
20	6G5-43864-00-00	.O-RING	1	
21	6E5-43864-00-00	O-RING	2	
22	6E5-43874-01-00	RING, BACK UP	2	
23	64E-43828-01-00	BODY, RESERVOIR	1	
24	64E-43829-01-00	PLUG, RESERVOIR	1	
25	64E-43897-00-00	O-RING	1	
26	64E-4388E-01-00	BOLT ,SCREW (L:14MM)	3	
27	64E-43869-00-00	O-RING	6	
28	64E-4381G-00-00	PIN	1	
29	6E5-43858-00-00	BALL	1	
30	64E-4382G-00-00	VALVE, SEAT	1	
31	90201-10060-00	WASHER, PLATE	2	
32	97575-10530-00	BOLT, WITH WASHER	2	
33	6BC-43818-00-00	PIN, LOWER SHOCK MOUNT	1	
34	90386-22M98-00	BUSH	2	
35	64E-4384N-00-00	PLUG, ORIFICE	1	

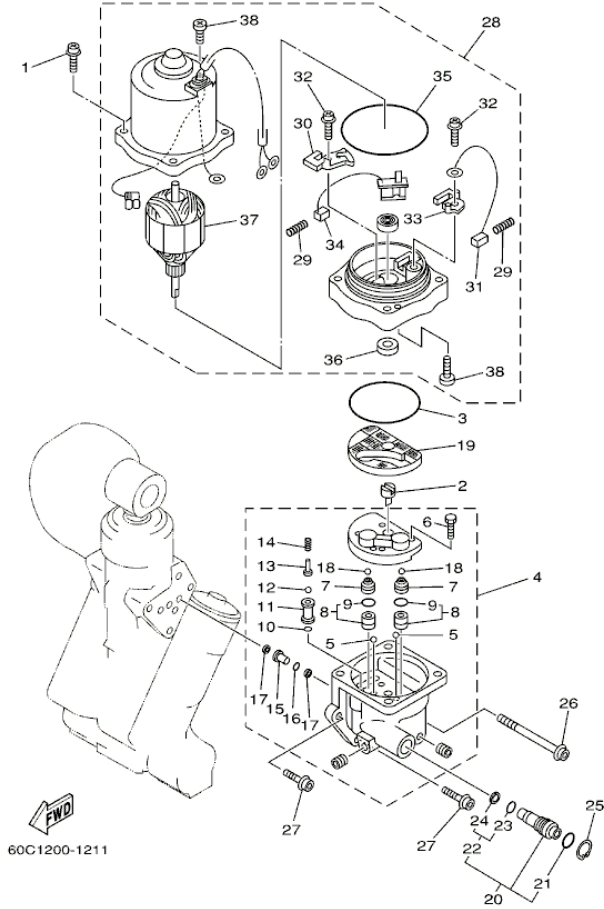
Part Notes

F150TLR 0409 / POWER TRIM TILT ASSY 1

PART NUMBER	NOTE TEXT
64E-43822-00-00 	OEM: This part number is among the Top 100 Most Popular Marine Maintenance Parts as of August 2013.
64E-4384J-00-00 	OEM: This part number is among the Top 100 Most Popular Marine Maintenance Parts as of August 2013.
6G5-43864-00-00 	OEM: This part number is among the Top 100 Most Popular Marine Maintenance Parts as of August 2013.
64E-43869-00-00 	OEM: This part number is among the Top 100 Most Popular Marine Maintenance Parts as of August 2013.

©2013 Yamaha Motor Corporation, U.S.A. All rights reserved.

F150TLR 0409 / POWER TRIM TILT ASSY 2



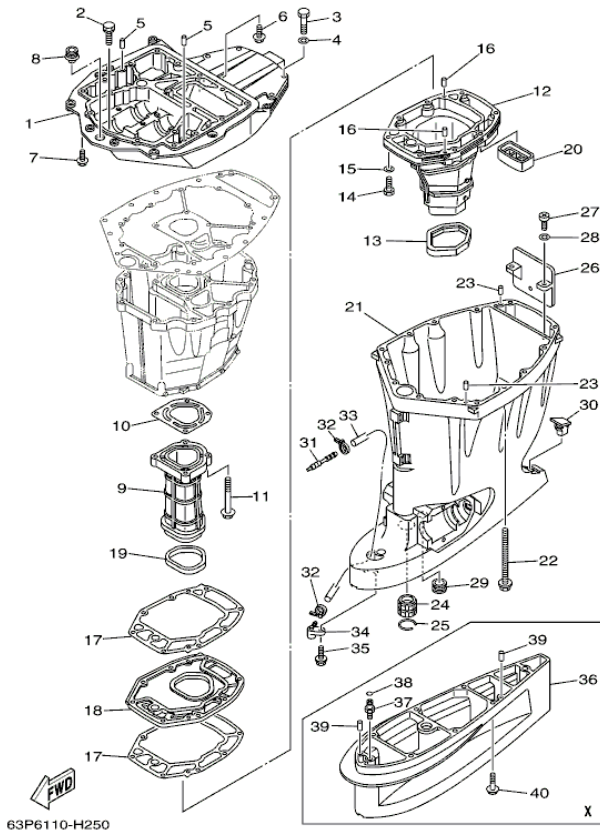
©2013 Yamaha Motor Corporation, U.S.A. All rights reserved.

Part List

F150TLR 0409 / POWER TRIM TILT ASSY 2

REF - NO	PART NUMBER	PART NAME	QUANTITY	REMARKS
1	64E-4388E-11-00	BOLT ,SCREW (L:34.7MM)	4	
2	64E-43831-00-00	CONNECTOR, SHAFT	1	
3	64E-43868-00-00	O-RING	1	
4	64E-43830-01-00	GEAR PUMP ASSY	1	
5	72X-43858-00-00	.BALL	2	
6	64E-43843-00-00	.SCREW, VALVE LOCK	4	
7	64E-43841-00-00	.PISTON, SHUTTLE	2	
8	64E-43802-00-00	.VALVE SUB ASSY	2	
9	6E5-43896-00-00	.O-RING	1	
10	6G5-43863-00-00	.O-RING	1	
11	64E-43851-00-00	.SEAT, RELIEF VALVE	1	
12	64E-43858-00-00	.BALL	1	
13	64E-43859-00-00	.PIN, VALVE SUPPORT	1	
14	64E-43855-00-00	.SPRING, UP RELIEF	1	
15	64E-43850-00-00	.VALVE SUB ASSY	1	
16	64E-43865-00-00	.O-RING	1	
17	64E-43816-00-00	.FILTER 1	2	
18	64E-43858-00-00	.BALL	2	
19	64E-43817-11-00	FILTER 2	1	
20	64E-43860-01-00	MANUAL VALVE SUB-ASSY	1	
21	72X-85075-L0-00	.O-RING	1	
22	64E-43827-00-00	.RING SET	1	
23	64E-4387A-00-00	.O-RING	1	
24	64E-43873-00-00	.RING, BACK UP	1	
25	6AW-43875-00-00	RING, SNAP	1	
26	64E-43879-11-00	SCREW, WITH WASHER	1	
27	64E-43879-01-00	SCREW, WITH WASHER	2	
28	67H-43880-03-00	MOTOR ASSY	1	
29	6H1-4386K-10-00	.SPRING, BRUSH	2	
30	64E-4380J-00-00	.HOLDER, BRUSH	1	
31	64E-43891-00-00	.BRUSH 1	1	
32	97607-04310-00	.SCREW,WITH WASHER	2	
33	64E-4380F-00-00	.HOLDER, BRUSH 2	1	
34	64E-43892-00-00	.BREAKER COMP (BRUSH 2)	1	
35	6G5-43865-00-00	.O-RING	1	
36	93102-08M43-00	.OIL SEAL	1	
37	64E-43805-00-00	.ARMATURE ASSY	1	
38	64E-43843-10-00	.SCREW, VALVE LOCK	3	

F150TLR 0409 / UPPER CASING



©2013 Yamaha Motor Corporation, U.S.A. All rights reserved.




Part List

F150TLR 0409 / UPPER CASING

REF - NO	PART NUMBER	PART NAME	QUANTITY	REMARKS
1	63P-41137-01-CA	GUIDE, EXHAUST	1	
2	90119-08M79-00	BOLT, WITH WASHER	2	
3	97075-10045-00	BOLT	4	
4	92995-10600-00	WASHER	4	
5	93608-16M16-00	PIN, DOWEL	2	
6	90119-08M58-00	BOLT, WITH WASHER	3	
7	97575-10535-00	BOLT, WITH WASHER	4	
8	6E5-42724-00-00	GROMMET	1	
9	63P-41131-01-9S	MANIFOLD, EXT. 1	1	
10	63P-41133-A0-00	.GASKET, EXHAUST MANIFOLD 1	1	
11	97575-08560-00	BOLT, WITH WASHER	4	
12	63P-14711-01-9S	MUFFLER 1	1	
13	69J-45123-00-00	.GASKET, MUFFLER	1	
14	97075-08035-00	BOLT	8	
15	92995-08600-00	WASHER	8	
16	93606-19M23-00	PIN, DOWEL	2	
17	63P-41134-A0-00	.GASKET, EXHAUST MANIFOLD	2	
18	63P-45181-01-9S	PLATE	1	
19	63P-41138-00-00	.SEAL, EXT. 1	1	
20	69J-45127-00-00	.SEAL	1	
21	63P-45111-00-8D	CASING, UPPER	1	
22	90119-10007-00	BOLT, WITH WASHER	8	
23	93608-16M16-00	PIN, DOWEL	2	
24	6E5-45318-00-00	BUSHING, DRIVE SHAFT	1	
25	93420-36M01-00	CIRCLIP	1	
26	69J-14624-01-00	COVER, EXHAUST	1	
27	97880-06016-00	SCREW, PAN HEAD	2	
28	92990-06600-00	WASHER, PLATE	2	
29	6E5-44366-00-00	DAMPER, WATER SEAL 2	1	
30	6C5-45155-00-00	CAP	1	
31	6E5-83558-00-00	END, NIPPLE	1	
32	90465-11M10-00	CLAMP	2	
33	90445-070F1-00	HOSE (L950)	1	
34	63P-45379-00-00	NIPPLE, HOSE	1	
35	90119-06M18-00	BOLT, WITH WASHER	1	

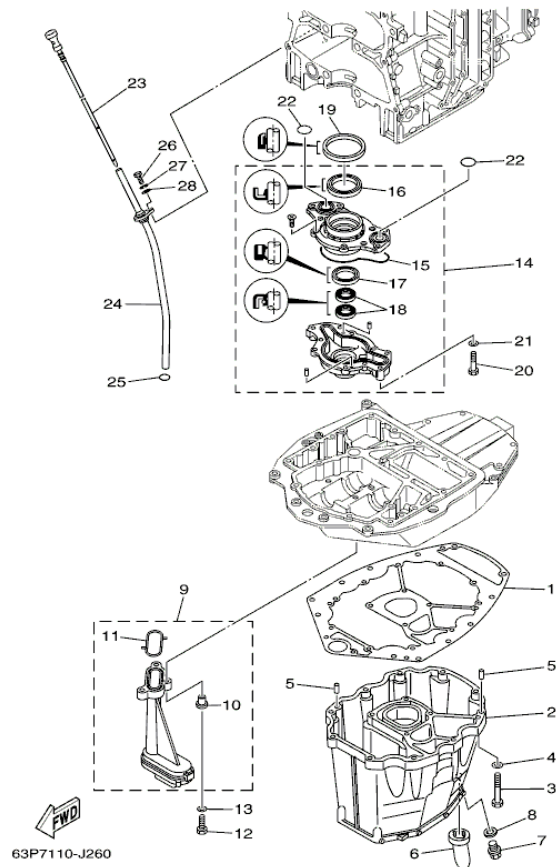
Part Notes

F150TLR 0409 / UPPER CASING

PART NUMBER	NOTE TEXT
69J-45123-00-00 	OEM: If you are replacing damaged exhaust components on a 3.1L V6 Fourstroke, two kits have been developed to make choosing and ordering the correct parts easier. Ordering either MAR-EXHKT-03-00 (EXH KIT F200-225 for 2002-2003 models) or MAR-EXHKT-04-00 (EXH KIT F200-250 2004 models and up) will get you everything needed to rebuild the entire exhaust system.
69J-45127-00-00 	OEM: If you are replacing damaged exhaust components on a 3.1L V6 Fourstroke, two kits have been developed to make choosing and ordering the correct parts easier. Ordering either MAR-EXHKT-03-00 (EXH KIT F200-225 for 2002-2003 models) or MAR-EXHKT-04-00 (EXH KIT F200-250 2004 models and up) will get you everything needed to rebuild the entire exhaust system.
92990-06600-00 	OEM: This part number is among the Top 100 Most Popular Marine Maintenance Parts as of August 2013.

©2013 Yamaha Motor Corporation, U.S.A. All rights reserved.

F150TLR 0409 / OIL PAN



©2013 Yamaha Motor Corporation, U.S.A. All rights reserved.



Part List

F150TLR 0409 / OIL PAN

REF - NO	PART NUMBER	PART NAME	QUANTITY	REMARKS
1	63P-15312-00-00	.GASKET, OIL PAN	1	
2	63P-15311-01-CA	OIL PAN	1	
3	97075-08035-00	BOLT	10	
4	92995-08600-00	WASHER	10	
5	93608-16M16-00	PIN, DOWEL	2	
6	63P-15316-00-00	DAMPER 1	1	
7	90340-14M06-00	PLUG, STRAIGHT SCREW	1	
8	90430-14M09-00	.GASKET	1	
9	63P-13411-00-00	STRAINER, OIL	1	
10	90387-06M64-00	.COLLAR	3	
11	63P-13415-00-00	.SEAL, OIL STRAINER	1	
12	97027-06025-00	BOLT, HEXAGON	3	
13	92907-06600-00	WASHER, PLATE	3	
14	63P-13300-01-00	OIL PUMP ASSY	1	
15	63P-13329-00-00	.GASKET, PUMP COVER	1	
16	69J-13338-00-00	.OIL SEAL	1	
17	6AW-13119-00-00	.OIL SEAL	1	
18	69J-13631-00-00	.OIL SEAL	2	
19	69J-11355-00-00	.SEAL, CYLINDER 1	1	
20	97095-06040-00	.BOLT	4	
21	92995-06600-00	WASHER	4	
22	93210-25552-00	O-RING	2	
23	63P-15362-10-00	PLUG, OIL LEVEL	1	
24	63P-15377-10-00	GUIDE, INLET	1	
25	93210-19MJ3-00	.O-RING	1	
26	97095-06020-00	BOLT	1	
27	92995-06100-00	WASHER, SPRING	1	
28	92995-06600-00	WASHER	1	

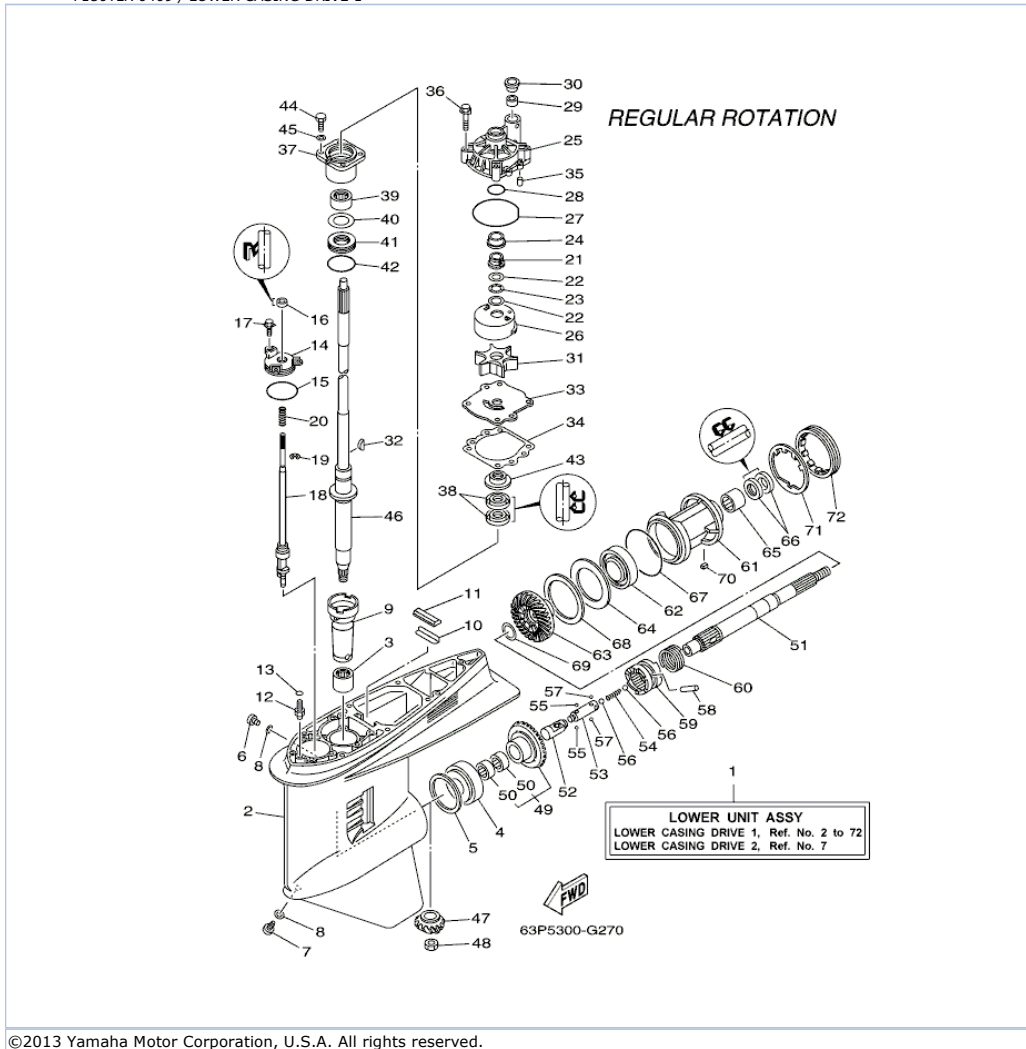
Part Notes

F150TLR 0409 / OIL PAN

PART NUMBER	NOTE TEXT
90430-14M09-00 	OEM: This part number is among the Top 100 Most Popular Marine Maintenance Parts as of August 2013.
92995-06100-00 	OEM: This part number is among the Top 100 Most Popular Marine Maintenance Parts as of August 2013.

©2013 Yamaha Motor Corporation, U.S.A. All rights reserved.

F150TLR 0409 / LOWER CASING DRIVE 1



©2013 Yamaha Motor Corporation, U.S.A. All rights reserved.

Part List





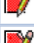




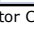
F150TLR 0409 / LOWER CASING DRIVE 1

REF - NO	PART NUMBER	PART NAME	QUANTITY	REMARKS
1	63P-45300-02-8D	LOWER UNIT ASSY	1	L(20.3"),RH
2	6J9-45301-05-8D	CASING, LOWER	1	
3	93311-928U5-00	BEARING	1	
4	93332-000V3-00	BEARING	1	
5	6G5-45567-01-00	SHIM (T:0.10MM)	1	UR
5	6G5-45567-10-00	SHIM (T:0.12MM)	1	UR
5	6G5-45567-20-00	SHIM (T:0.15MM)	1	UR
5	6G5-45567-60-00	SHIM (T:0.50MM)	1	UR
5	6G5-45567-40-00	SHIM (T:0.30MM)	1	UR
5	6G5-45567-50-00	SHIM (T:0.40MM)	1	UR
5	6G5-45567-30-00	SHIM (T:0.18MM)	1	UR
6	90340-08002-00	PLUG, STRAIGHT SCREW	1	
7	688-45341-10-00	PLUG, DRAIN	1	
8	90430-08020-00	.GASKET	2	
9	6G5-45536-01-00	SLEEVE, DRIVE SHAFT	1	
10	663-45376-00-94	GUIDE, SEAL DAMPER	1	
11	688-45375-00-00	DAMPER, SEAL	1	
12	63P-45378-00-00	NIPPLE, HOSE	1	
13	93210-07003-00	O-RING	1	
14	6E5-45321-00-00	PLATE	1	
15	93210-58144-00	.O-RING	1	
16	93106-09014-00	.OIL SEAL	1	
17	90119-06M10-00	BOLT, WITH WASHER	3	
18	63P-44150-00-00	SHIFT CAM ASSY	1	L(20.3"),RH
19	99001-08600-00	CIRCLIP	1	
20	90501-11M10-00	SPRING, COMPRESSION	1	
21	61A-45538-00-00	SPACER 1	1	
22	90201-22M01-00	WASHER, PLATE	2	
23	90206-22M19-00	WASHER, WAVE	1	
24	61A-45527-00-00	COLLAR, DRIVE SHAFT	1	
25	61A-44311-01-00	HOUSING, WATER PUMP	1	
26	61A-44322-02-00	.INSERT, CARTRIDGE	1	
27	93210-86M38-00	.O-RING	1	
28	93210-37160-00	.O-RING	1	
29	6E5-44365-00-00	DAMPER, WATER SEAL 1	1	
30	6E5-44312-00-00	COVER, WATER PUMP HOUSING	1	
31	6E5-44352-01-00	.IMPELLER	1	
32	90280-04M05-00	.KEY, WOODRUFF	1	
33	6G5-44323-00-00	.OUTER PLATE, CARTRIDGE	1	
34	6E5-44315-A0-00	.GASKET, WATER PUMP	1	
35	93606-12019-00	.PIN, DOWEL	2	
36	90119-08M14-00	.BOLT, WITH WASHER	4	
37	6E5-45331-00-9S	HOUSING, BEARING	1	
38	93101-28M16-00	.OIL SEAL	2	
39	93317-330U2-00	BEARING	1	
40	6E5-45587-01-00	SHIM (T:0.10MM)	1	UR
40	6E5-45587-10-00	SHIM (T:0.12MM)	1	UR
40	6E5-45587-20-00	SHIM (T:0.15MM)	1	UR
40	6E5-45587-60-00	SHIM (T:0.50MM)	1	UR
40	6E5-45587-40-00	SHIM (T:0.30MM)	1	UR
40	6E5-45587-50-00	SHIM (T:0.40MM)	1	UR
40	6E5-45587-30-00	SHIM (T:0.18MM)	1	UR
41	93341-930V2-00	BEARING	1	
42	93210-55M14-00	.O-RING	1	
43	6E5-45344-00-00	COVER, OIL SEAL	1	
44	97095-08025-00	BOLT	4	
45	92995-08600-00	WASHER	4	
46	63P-45501-00-00	DRIVE SHAFT COMP.	1	L(20.3")
47	63P-45551-00-00	PINION (14T)	1	
48	90170-16M01-00	NUT	1	
49	63P-45560-02-00	GEAR 1 (28T)	1	
50	93315-425V3-00	.BEARING	2	
51	6J9-45611-01-00	SHAFT, PROPELLER	1	
52	6E5-45641-03-00	SHIFTER	1	
53	6E5-45634-01-00	SLIDE, SHIFT	1	
54	90501-16M37-00	SPRING, COMPRESSION	1	

55	93507-32009-00	.BALL	2	
56	93511-32017-00	BALL	2	
57	93503-16003-00	BALL	2	
58	90250-08M07-00	PIN, STRAIGHT	1	
59	63P-45631-10-00	CLUTCH, DOG	1	
60	6E5-45633-01-00	RING, CROSS PIN	1	
61	6J9-45332-00-CA	HOUSING, BEARING	1	
62	93306-209U0-00	BEARING	1	
63	63P-45571-02-00	GEAR 2 (28T)	1	
64	6G5-45576-10-00	WASHER, THRUST 2	1	
65	93315-43061-00	BEARING	1	
66	93101-30M17-00	.OIL SEAL	2	
67	93210-97M55-00	.O-RING	1	
68	6G5-45577-02-00	SHIM (T:0.10MM)	1	UR
68	6G5-45577-10-00	SHIM (T:0.12MM)	1	UR
68	6G5-45577-20-00	SHIM (T:0.15MM)	1	UR
68	6G5-45577-60-00	SHIM (T:0.50MM)	1	UR
68	6G5-45577-40-00	SHIM (T:0.30MM)	1	UR
68	6G5-45577-50-00	SHIM (T:0.40MM)	1	UR
68	6G5-45577-30-00	SHIM (T:0.18MM)	1	UR
69	90201-30M92-00	WASHER, PLATE	1	
70	90282-04M00-00	KEY, STRAIGHT	1	
71	6G5-45383-01-00	WASHER, CLAW	1	
72	6G5-45384-00-00	NUT	1	

Part Notes

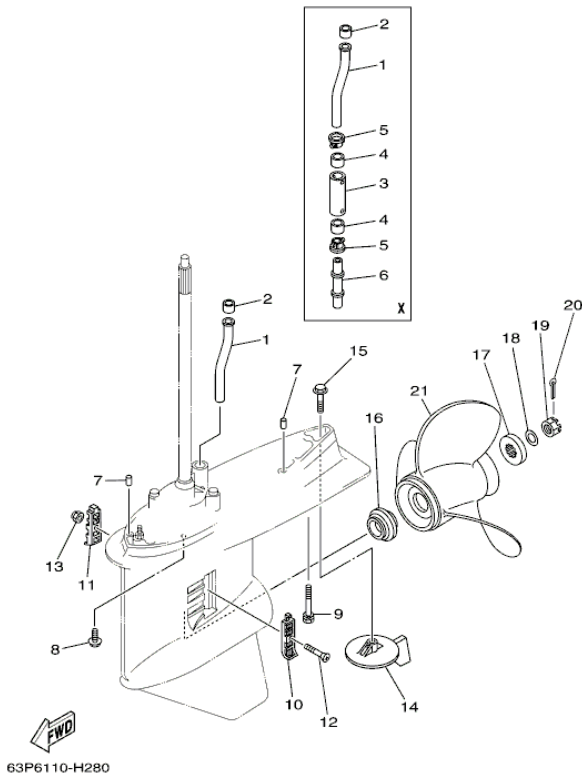
F150TLR 0409 / LOWER CASING DRIVE 1

PART NUMBER		NOTE TEXT
90430-08020-00		OEM: This part number is among the Top 100 Most Popular Marine Maintenance Parts as of August 2013.
93106-09014-00		OEM: This part number is among the Top 100 Most Popular Marine Maintenance Parts as of August 2013.
61A-45538-00-00		OEM: This part number is among the Top 100 Most Popular Marine Maintenance Parts as of August 2013.
90201-22M01-00		OEM: This part number is among the Top 100 Most Popular Marine Maintenance Parts as of August 2013.
61A-45527-00-00		OEM: This part number is among the Top 100 Most Popular Marine Maintenance Parts as of August 2013.
61A-44311-01-00		OEM: This part number is among the Top 100 Most Popular Marine Maintenance Parts as of August 2013.
93210-86M38-00		OEM: This part number is among the Top 100 Most Popular Marine Maintenance Parts as of August 2013.
6E5-44352-01-00		OEM: This part number is among the Top 100 Most Popular Marine Maintenance Parts as of August 2013.
93101-28M16-00		OEM: This part number is among the Top 100 Most Popular Marine Maintenance Parts as of August 2013.
93101-30M17-00		OEM: This part number is among the Top 100 Most Popular Marine Maintenance Parts as of August 2013.

©2013 Yamaha Motor Corporation, U.S.A. All rights reserved.

F150TLR 0409 / LOWER CASING DRIVE 2

REGULAR ROTATION



©2013 Yamaha Motor Corporation, U.S.A. All rights reserved.




Part List

F150TLR 0409 / LOWER CASING DRIVE 2

REF - NO	PART NUMBER	PART NAME	QUANTITY	REMARKS
1	63P-44361-00-00	TUBE, WATER 1	1	
2	6E5-44365-00-00	DAMPER, WATER SEAL 1	1	
7	93608-16M16-00	PIN, DOWEL	2	
8	90119-10038-00	BOLT, WITH WASHER	6	
9	90119-10MA2-00	BOLT, WITH WASHER	1	L(20.3")
10	6J9-45214-00-00	COVER, WATER INLET 1	1	
11	6J9-45215-00-00	COVER, WATER INLET 2	1	
12	90152-05M08-00	SCREW, COUNTERSUNK	1	
13	90185-05002-00	NUT, NYLON	1	
14	6J9-45371-01-00	TAB-TRIM	1	
15	90105-10M00-00	BOLT, FLANGE	1	
16	63P-45987-00-00	SPACER 1	1	
17	688-45997-01-00	SPACER 2	1	
18	92990-18200-00	WASHER	1	
19	90171-18M04-00	NUT, CASTLE	1	
20	91490-40030-00	PIN. COTTER	1	
21	6G5-45941-00-98	PROPELLER (3X15-1/4"X15"-M)	1	UR
21	66K-45974-B0-00	PROPELLER (3X14-1/2"X23"-M2)	1	UR
21	6G5-45949-00-98	PROPELLER (3X13-1/2"X23"-M)	1	UR
21	6G5-45972-02-98	PROPELLER (3X13-3/4"X21"-M)	1	UR
21	6G5-45976-01-98	PROPELLER (3X13-3/8"X23"-M)	1	UR
21	6G5-45930-00-98	PROPELLER (3X13-3/8"X25"-M)	1	UR
21	6G5-45947-01-98	PROPELLER (3X14-1/2"X17"-M)	1	UR
21	6G5-45970-02-98	PROPELLER (3X15-1/4"X15"-M)	1	UR
21	6G5-45932-00-98	PROPELLER (3X15-3/4"X13"-M)	1	UR
21	6G5-45974-03-98	PROPELLER (3X13-3/4"X19"-M2)	1	UR
21	6G5-45978-03-98	PROPELLER (3X13-3/4"X17"-M2)	1	UR
21	6G5-45943-01-98	PROPELLER (3X13-3/4"X21"-M)	1	UR
21	6R4-45976-A0-00	PROPELLER (3X14-1/2"X15"-M)	1	UR
21	6R4-45978-A0-00	PROPELLER (3X15-1/4"X17"-M)	1	UR
21	6R4-45972-A0-00	PROPELLER (3X14-7/8"X21"-M)	1	UR
21	6R4-45974-A0-00	PROPELLER (3X14-1/2"X23"-M)	1	UR
21	66K-45972-B0-00	PROPELLER (3X14-1/2"X25"-M2)	1	UR
21	66K-45970-B0-00	PROPELLER (3X14-1/2"X27"-M1)	1	UR
21	6J9-45976-10-00	PROPELLER (3X14-1/2"X21"-M1)	1	UR
21	6R4-45970-A1-00	PROPELLER (3X15-1/4"X19"-M)	1	UR
21	6G5-45945-01-98	PROPELLER (3X14"X19"-M)	1	UR

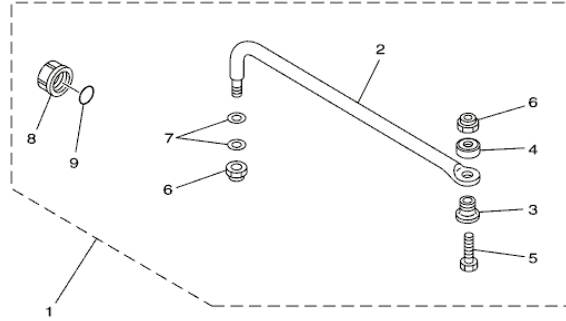
Part Notes

F150TLR 0409 / LOWER CASING DRIVE 2

PART NUMBER	NOTE TEXT
6J9-45371-01-00 	OEM: This part number is among the Top 100 Most Popular Marine Maintenance Parts as of August 2013.
90105-10M00-00 	OEM: This part number is among the Top 100 Most Popular Marine Maintenance Parts as of August 2013.
91490-40030-00 	OEM: This part number is among the Top 100 Most Popular Marine Maintenance Parts as of August 2013.

©2013 Yamaha Motor Corporation, U.S.A. All rights reserved.

F150TLR 0409 / STEERING GUIDE



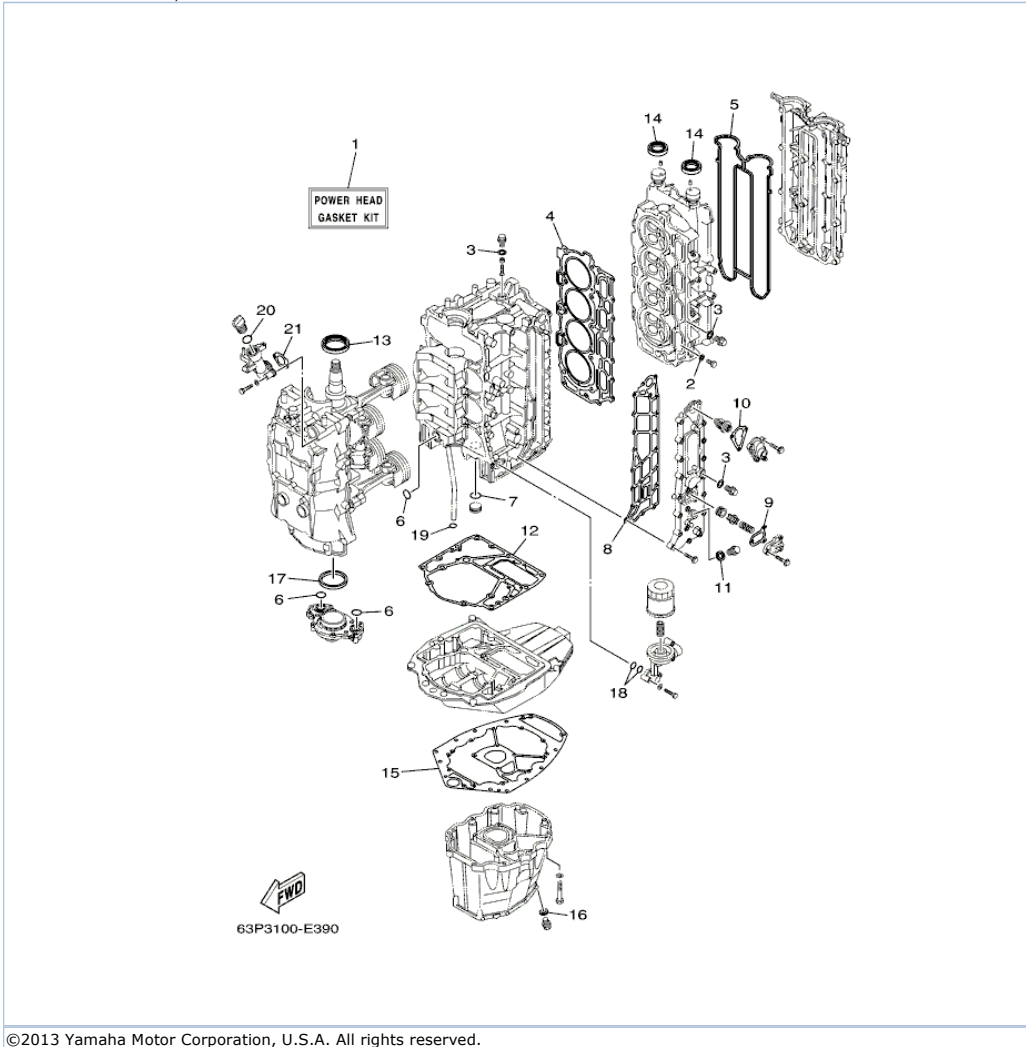
67H0100-9290

Part List

F150TLR 0409 / STEERING GUIDE

REF - NO	PART NUMBER	PART NAME	QUANTITY	REMARKS
1	6E5-61350-02-00	STEERING GUIDE ATTACHMENT KIT	1	AP
2	6E5-61351-01-00	.ROD, STEERING LINK	1	
3	90387-10M61-00	.COLLAR	1	
4	90560-12M01-00	.SPACER	1	
5	6E5-61355-00-00	.BOLT	1	
6	90185-09M01-00	.NUT, SELF-LOCKING	2	
7	90201-10M20-00	.WASHER, PLATE	2	
8	6E5-43145-01-00	.CAP, CLAMP BRACKET	1	
9	93210-16275-00	.O-RING	1	

F150TLR 0409 / REPAIR KIT 1



©2013 Yamaha Motor Corporation, U.S.A. All rights reserved.


Part List

F150TLR 0409 / REPAIR KIT 1

REF - NO	PART NUMBER	PART NAME	QUANTITY	REMARKS
1	63P-W0001-01-00	POWER HEAD GASKET KIT	1	
2	90430-08143-00	.GASKET	4	
3	90430-14115-00	.GASKET	4	
4	63P-11181-00-00	.GASKET, CYLINDER HEAD 1	1	
5	63P-11193-00-00	.GASKET, HEAD COVER 1	1	
6	93210-25552-00	.O-RING	3	
7	93210-25647-00	.O-RING	1	
8	63P-41114-A1-00	.GASKET, EXHAUST OUTER COVER	1	
9	67F-12435-A0-00	.GASKET	1	
10	63P-12414-00-00	.GASKET, COVER	1	
11	90430-18130-00	.GASKET	1	
12	63P-11351-00-00	.GASKET, CYLINDER	1	
13	93102-60004-00	.OIL SEAL	1	
14	93102-38008-00	.OIL SEAL	2	
15	63P-15312-00-00	.GASKET, OIL PAN	1	
16	90430-14M09-00	.GASKET	1	
17	69J-11355-00-00	.SEAL, CYLINDER 1	1	
18	93210-19MJ1-00	.O-RING	2	
19	93210-19MJ3-00	.O-RING	1	
20	93210-24M79-00	.O-RING	1	
21	63P-15364-A0-00	.GASKET, OIL PLUG	1	

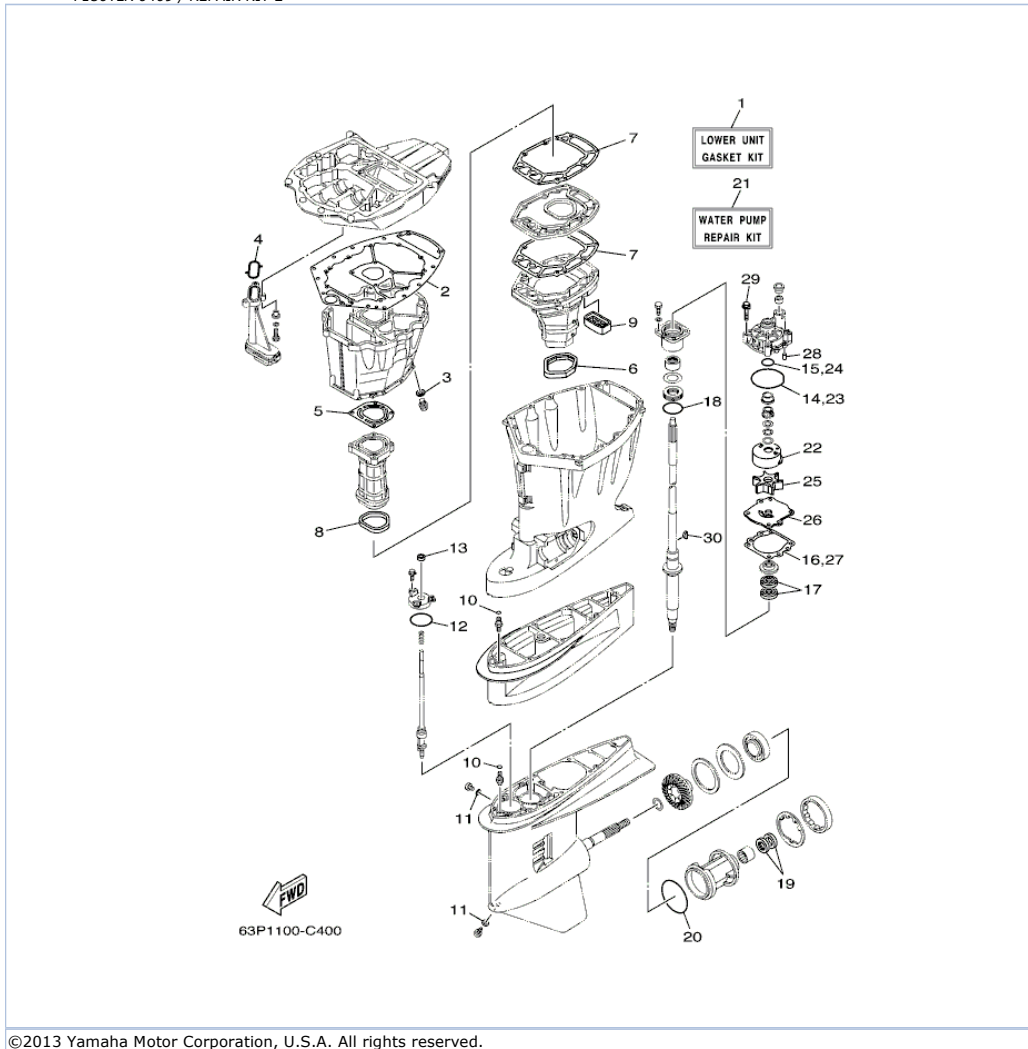
Part Notes

F150TLR 0409 / REPAIR KIT 1

PART NUMBER	NOTE TEXT
90430-14M09-00 	OEM: This part number is among the Top 100 Most Popular Marine Maintenance Parts as of August 2013.

©2013 Yamaha Motor Corporation, U.S.A. All rights reserved.

F150TLR 0409 / REPAIR KIT 2













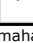
Part List

F150TLR 0409 / REPAIR KIT 2

REF - NO	PART NUMBER	PART NAME	QUANTITY	REMARKS
1	63P-W0001-20-00	LOWER UNIT GASKET KIT	1	
2	63P-15312-00-00	.GASKET, OIL PAN	1	
3	90430-14M09-00	.GASKET	1	
4	63P-13415-00-00	.SEAL, OIL STRAINER	1	
5	63P-41133-A0-00	.GASKET, EXHAUST MANIFOLD 1	1	
6	69J-45123-00-00	.GASKET, MUFFLER	1	
7	63P-41134-A0-00	.GASKET, EXHAUST MANIFOLD	2	
8	63P-41138-00-00	.SEAL, EXT 1	1	
9	69J-45127-00-00	.SEAL	1	
10	93210-07003-00	.O-RING	2	
11	90430-08020-00	.GASKET	2	
12	93210-58144-00	.O-RING	1	
13	93106-09014-00	.OIL SEAL	1	
14	93210-86M38-00	.O-RING	1	
15	93210-37160-00	.O-RING	1	
16	6E5-44315-A0-00	.GASKET, WATER PUMP	1	
17	93101-28M16-00	.OIL SEAL	2	
18	93210-55M14-00	.O-RING	1	
19	93101-30M17-00	.OIL SEAL	2	
20	93210-97M55-00	.O-RING	1	
21	61A-W0078-A3-00	WATER PUMP REPAIR KIT	1	
22	61A-44322-02-00	.INSERT, CARTRIDGE	1	
23	93210-86M38-00	.O-RING	1	
24	93210-37160-00	.O-RING	1	
25	6E5-44352-01-00	.IMPELLER	1	
26	6G5-44323-00-00	.OUTER PLATE, CARTRIDGE	1	
27	6E5-44315-A0-00	.GASKET, WATER PUMP	1	
28	93606-12019-00	.PIN, DOWEL	2	
29	90119-08M14-00	.BOLT, WITH WASHER	4	
30	90280-04M05-00	.KEY, WOODRUFF	1	

Part Notes

F150TLR 0409 / REPAIR KIT 2

PART NUMBER	NOTE TEXT
90430-14M09-00	 OEM: This part number is among the Top 100 Most Popular Marine Maintenance Parts as of August 2013.
69J-45123-00-00	 OEM: If you are replacing damaged exhaust components on a 3.1L V6 Fourstroke, two kits have been developed to make choosing and ordering the correct parts easier. Ordering either MAR-EXHKT-03-00 (EXH KIT F200-225 for 2002-2003 models) or MAR-EXHKT-04-00 (EXH KIT F200-250 2004 models and up) will get you everything needed to rebuild the entire exhaust system.
69J-45127-00-00	 OEM: If you are replacing damaged exhaust components on a 3.1L V6 Fourstroke, two kits have been developed to make choosing and ordering the correct parts easier. Ordering either MAR-EXHKT-03-00 (EXH KIT F200-225 for 2002-2003 models) or MAR-EXHKT-04-00 (EXH KIT F200-250 2004 models and up) will get you everything needed to rebuild the entire exhaust system.
90430-08020-00	 OEM: This part number is among the Top 100 Most Popular Marine Maintenance Parts as of August 2013.
93106-09014-00	 OEM: This part number is among the Top 100 Most Popular Marine Maintenance Parts as of August 2013.
93210-86M38-00	 OEM: This part number is among the Top 100 Most Popular Marine Maintenance Parts as of August 2013.
93101-28M16-00	 OEM: This part number is among the Top 100 Most Popular Marine Maintenance Parts as of August 2013.
93101-30M17-00	 OEM: This part number is among the Top 100 Most Popular Marine Maintenance Parts as of August 2013.
61A-W0078-A3-00	 OEM: This part number is among the Top 100 Most Popular Marine Maintenance Parts as of August 2013.
93210-86M38-00	 OEM: This part number is among the Top 100 Most Popular Marine Maintenance Parts as of August 2013.
6E5-44352-01-00	 OEM: This part number is among the Top 100 Most Popular Marine Maintenance Parts as of August 2013.

©2013 Yamaha Motor Corporation, U.S.A. All rights reserved.

©2013 Yamaha Motor Corporation, U.S.A. All rights reserved.