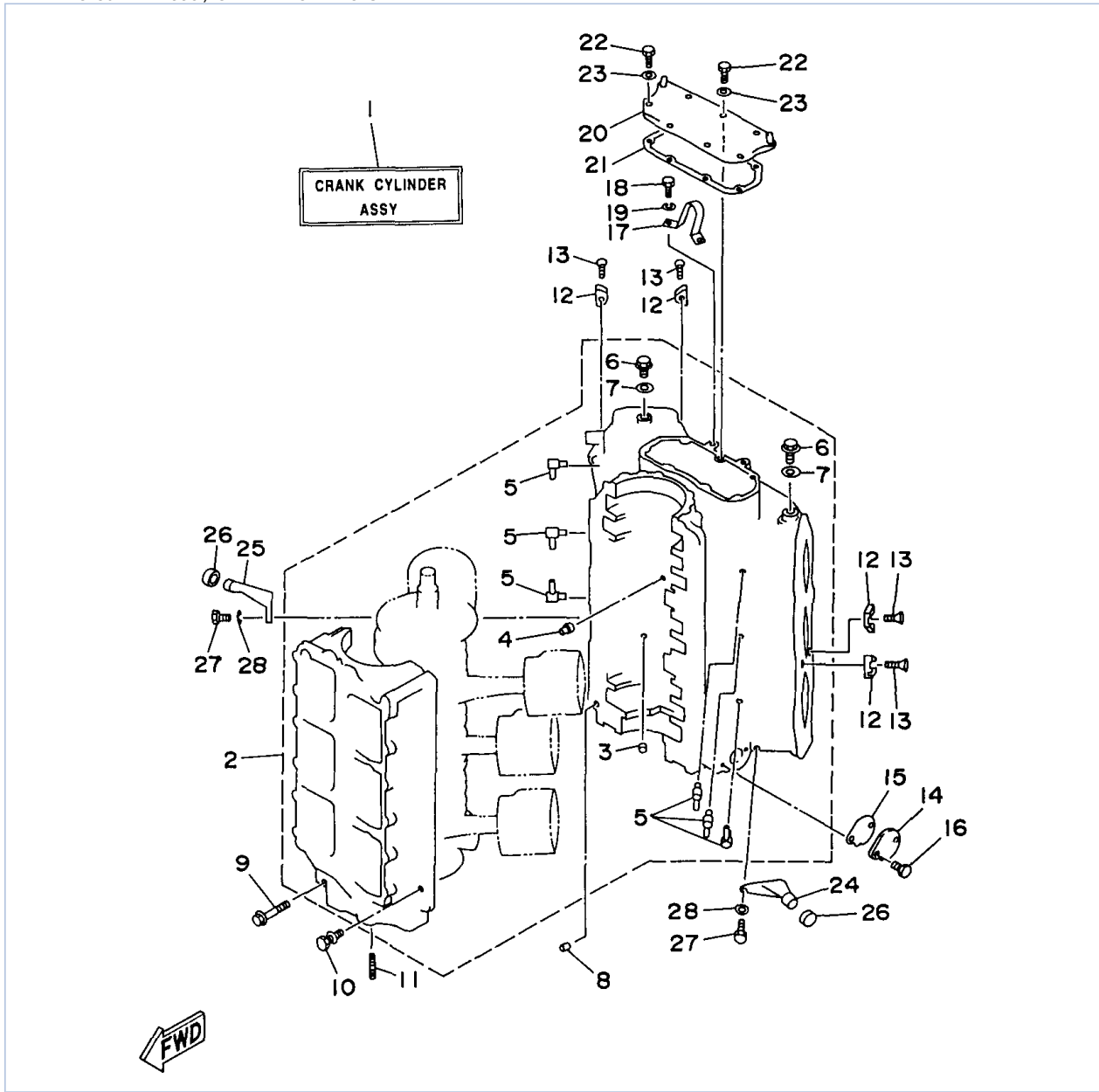


C150TLRW 1998 / CYLINDER CRANKCASE 1



©2013 Yamaha Motor Corporation, U.S.A. All rights reserved.



## Part List

C150TLRW 1998 / CYLINDER CRANKCASE 1

REF - NO	PART NUMBER	PART NAME	QUANTITY	REMARKS
1	64C-W0090-01-4D	CRANK CYLINDER ASSEMBLY	1	
2	64C-15100-20-94	CRANKCASE ASSEMBLY	1	
3	624-11379-00-00	.VALVE, CHECK	2	
4	663-11518-01-00	.LOCK, BEARING	2	
5	646-11370-00-00	.CHECK VALVE ASSY	6	
6	90334-15M02-00	.PLUG, STRAIGHT SCREW	2	
7	90430-14115-00	.GASKET	2	
8	93608-12063-00	PIN, DOWEL	2	
9	90105-10M20-00	BOLT, FLANGE	8	
10	90119-08M23-00	BOLT, W/WASHER	12	
11	90116-08M45-00	BOLT, STUD	2	
12	6E5-11325-00-00	ANODE	8	
13	98780-04015-00	SCREW, FLAT HEAD	8	
14	6R3-1131M-00-00	COVER	1	
15	6R3-11397-A0-00	GASKET	1	
16	97095-06016-00	BOLT	2	
17	6E5-11119-00-00	HANGER, ENGINE	1	
18	97013-08020-00	BOLT	2	
19	92990-08100-00	WASHER, SPRING	2	
20	6E5-11371-00-9M	COVER	1	
21	6E5-11381-A2-00	.GASKET 1	1	
22	97095-06020-00	BOLT	7	
23	92990-06600-00	WASHER, PLATE	7	
24	6E5-42761-00-94	STOPPER	1	
25	6E5-42762-00-94	STOPPER	1	
26	663-44533-00-00	DAMPER, UPPER MOUNT RUBBER	2	
27	97095-06020-00	BOLT	4	
28	92990-06600-00	WASHER, PLATE	4	

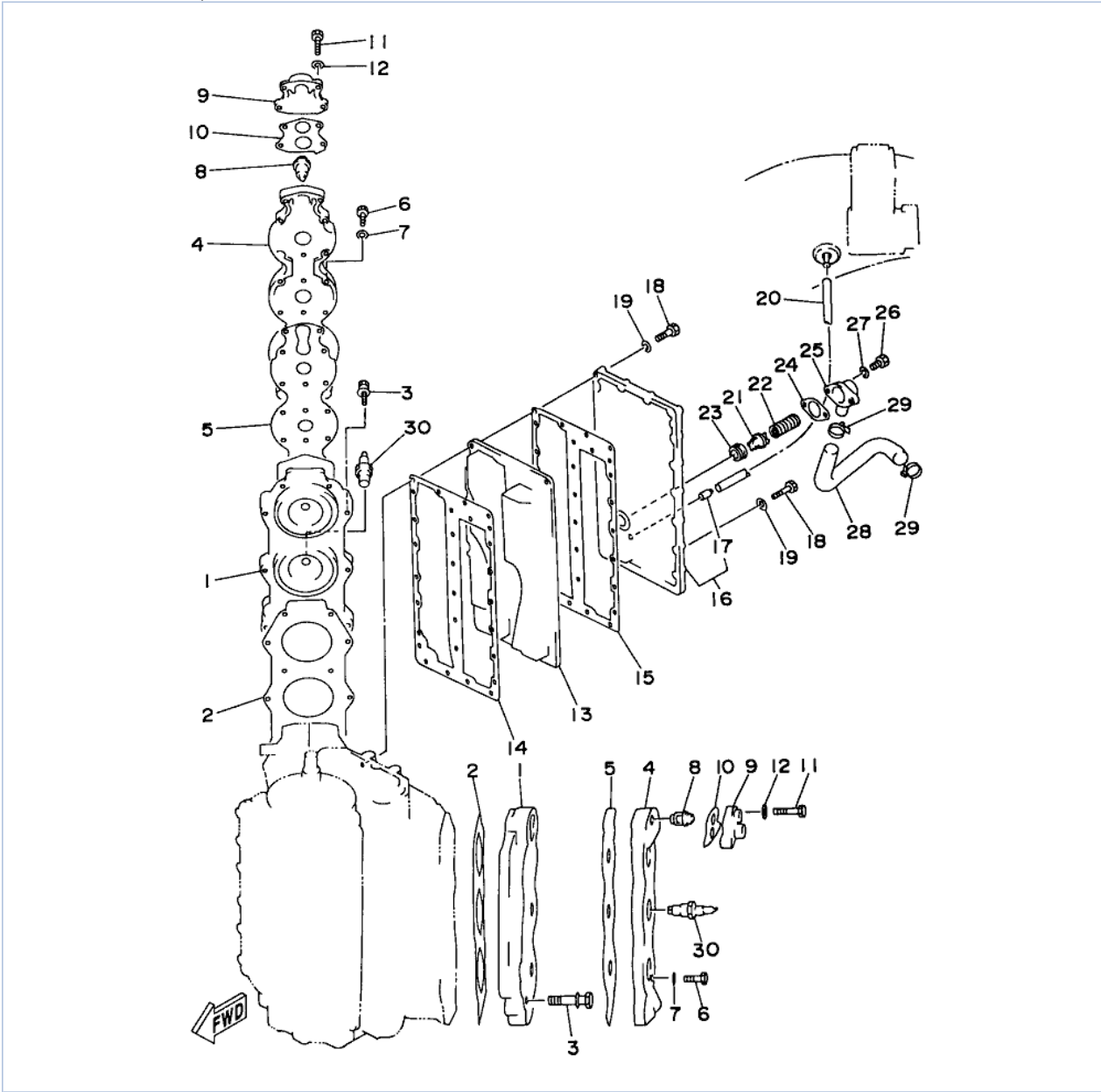
## Part Notes

C150TLRW 1998 / CYLINDER CRANKCASE 1

PART NUMBER	NOTE TEXT
92990-06600-00 	OEM: This part number is among the Top 100 Most Popular Marine Maintenance Parts as of August 2013.
92990-06600-00 	OEM: This part number is among the Top 100 Most Popular Marine Maintenance Parts as of August 2013.

©2013 Yamaha Motor Corporation, U.S.A. All rights reserved.

C150TLRW 1998 / CYLINDER CRANKCASE 2



©2013 Yamaha Motor Corporation, U.S.A. All rights reserved.







## Part List

C150TLRW 1998 / CYLINDER CRANKCASE 2

REF - NO	PART NUMBER	PART NAME	QUANTITY	REMARKS
1	6G5-11111-04-94	HEAD, CYLINDER 1	2	
2	6G5-11181-A1-00	GASKET, CYLINDER HEAD 1	2	
3	90119-08M21-00	BOLT, WITH WASHER	28	
4	6G5-11191-00-9M	COVER, CYLINDER HEAD 1	2	
5	6G5-11193-A0-00	.GASKET, HEAD COVER 1	2	
6	97095-06030-00	BOLT	36	
7	92990-06600-00	WASHER, PLATE	36	
8	6E5-12411-20-00	THERMOSTAT	2	
9	688-12413-00-9M	COVER, THERMOSTAT	2	
10	688-12414-A1-00	.GASKET, COVER	2	
11	97095-06040-00	.BOLT	8	
12	92990-06600-00	WASHER, PLATE	8	
13	64D-41111-00-9M	INNER COVER, EXHAUST	1	
14	6G5-41112-A1-00	GASKET, EXHAUST INNER COVER	1	
15	6G5-41112-A1-00	GASKET, EXHAUST INNER COVER	1	
16	6R3-41113-00-9M	OUTER COVER, EXHAUST	1	
17	652-24461-00-00	.PIPE, JOINT 4	1	
18	97014-06035-00	BOLT, HEXAGON	29	
19	92990-06600-00	WASHER, PLATE	29	
20	90445-09226-00	HOSE (L390)	1	
21	6G5-12416-00-00	VALVE, PRESSURE CONTROL	1	
22	90501-16M11-00	SPRING, COMPRESSION	1	
23	90480-20M05-00	GROMMET	1	
24	6G5-11382-A1-00	.GASKET 2	1	
25	6G5-11372-00-5B	NIPPLE, HOSE (6G5-11372- 00-9M)	1	
26	97095-06020-00	BOLT	2	
27	92990-06600-00	WASHER, PLATE	2	
28	6G5-12576-00-00	HOSE 1	1	
29	90465-13M36-00	CLAMP	2	
30	NGK-B8HS1-00-00	PLUG, SPARK (NGK B8HS- 10)	6	

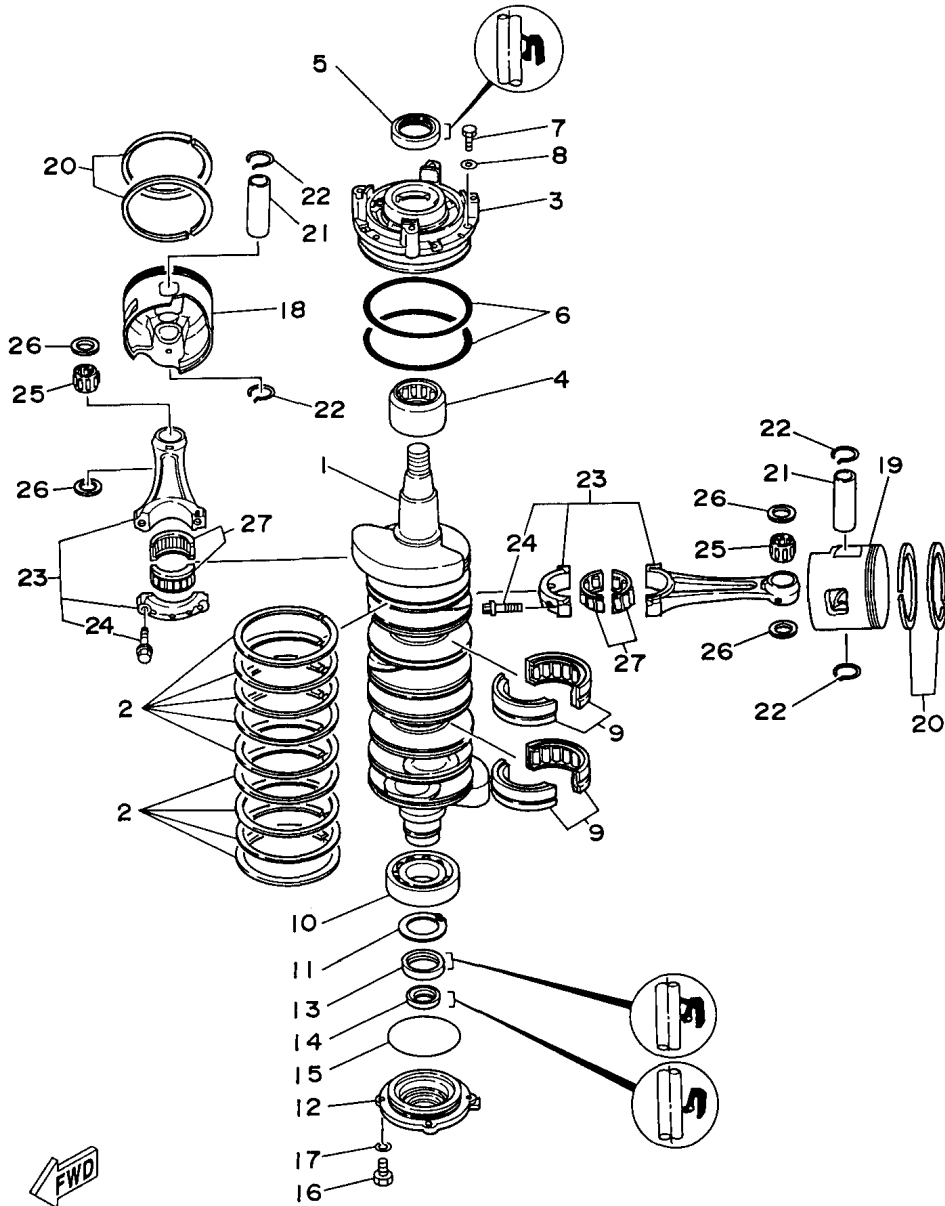
## Part Notes

C150TLRW 1998 / CYLINDER CRANKCASE 2

PART NUMBER		NOTE TEXT
92990-06600-00		OEM: This part number is among the Top 100 Most Popular Marine Maintenance Parts as of August 2013.
688-12414-A1-00		OEM: This part number is among the Top 100 Most Popular Marine Maintenance Parts as of August 2013.
92990-06600-00		OEM: This part number is among the Top 100 Most Popular Marine Maintenance Parts as of August 2013.
92990-06600-00		OEM: This part number is among the Top 100 Most Popular Marine Maintenance Parts as of August 2013.
90480-20M05-00		OEM: This part number is among the Top 100 Most Popular Marine Maintenance Parts as of August 2013.
92990-06600-00		OEM: This part number is among the Top 100 Most Popular Marine Maintenance Parts as of August 2013.

©2013 Yamaha Motor Corporation, U.S.A. All rights reserved.

C150TLRW 1998 / CRANKSHAFT PISTON



©2013 Yamaha Motor Corporation, U.S.A. All rights reserved.



## Part List

C150TLRW 1998 / CRANKSHAFT PISTON

REF - NO	PART NUMBER	PART NAME	QUANTITY	REMARKS
1	6G5-11411-00-00	CRANKSHAFT	1	
2	6E5-11447-00-00	SEAL, CRANK	9	
3	6E5-15163-00-94	HOUSING, BEARING 1	1	
4	93311-940U3-00	BEARING	1	
5	93102-40M38-00	OIL SEAL	1	
6	93211-04384-00	.O-RING	2	
7	97095-06020-00	BOLT	4	
8	92990-06600-00	WASHER, PLATE	4	
9	93310-954V3-00	BEARING, CYLINDRICAL	2	
10	93306-208U0-00	BEARING	1	
11	93410-40M03-00	CIRCLIP	1	
12	6G5-15359-00-94	HOUSING, OIL SEAL	1	
13	93102-35M13-00	OIL SEAL	1	
14	93101-22M15-00	.OIL SEAL	1	
15	93210-74M35-00	.O-RING	1	
16	97095-06020-00	BOLT	4	
17	92990-06600-00	WASHER, PLATE	4	
18	64D-11631-01-90	PISTON (STD)	3	
18	64D-11635-01-00	PISTON (1ST O/S 0.25MM)	3	AP
18	64D-11636-01-00	PISTON (0.50MM O/S)	3	AP
19	64D-11642-01-90	PISTON 2 (STD)	3	
19	64D-11645-01-00	PISTON 1ST O/S 0.25MM	3	AP
19	64D-11646-01-00	PISTON 2 (0.50MM O/S)	3	AP
20	64D-11605-01-00	PISTON RING SET (0.50MM O/S)	6	AP
20	64D-11603-01-00	PISTON RING SET (STD)	6	
20	64D-11604-01-00	PISTON RING SET (0.25MM O/S)	6	AP
21	6R5-11633-10-00	PIN, PISTON	6	
22	6R5-11634-10-00	CLIP, PISTON PIN	12	
23	6R5-11650-10-00	CONNECTING ROD ASSY	6	
24	90109-08M71-00	.BOLT	2	
25	93310-323V6-00	BEARING	6	
26	90201-23M01-00	WASHER, PLATE	12	
27	93310-836V2-00	BEARING	6	

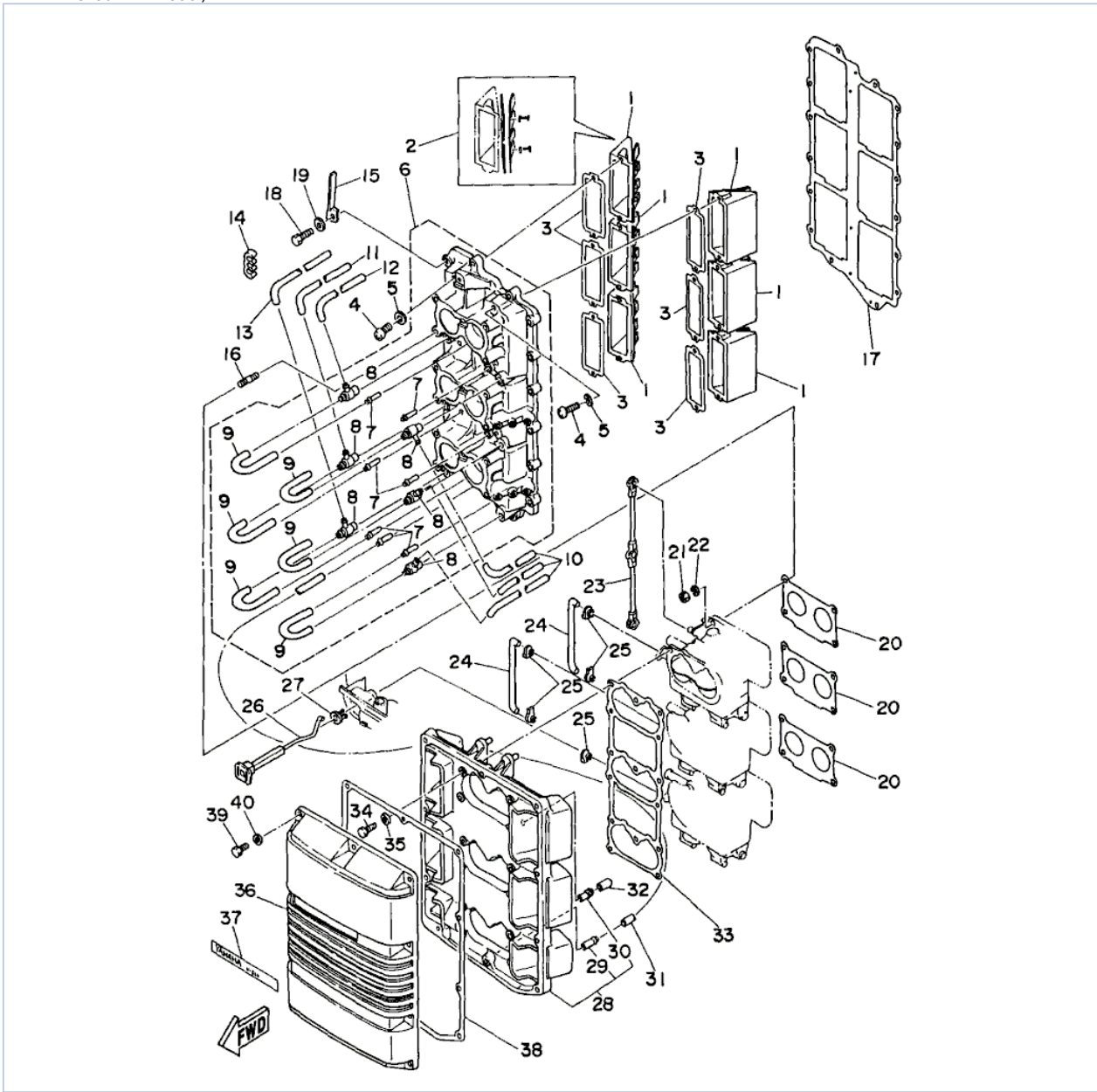
## Part Notes

C150TLRW 1998 / CRANKSHAFT PISTON

PART NUMBER		NOTE TEXT
92990-06600-00		OEM: This part number is among the Top 100 Most Popular Marine Maintenance Parts as of August 2013.
92990-06600-00		OEM: This part number is among the Top 100 Most Popular Marine Maintenance Parts as of August 2013.

©2013 Yamaha Motor Corporation, U.S.A. All rights reserved.

C150TLRW 1998 / INTAKE



©2013 Yamaha Motor Corporation, U.S.A. All rights reserved.





## Part List

C150TLRW 1998 / INTAKE

REF - NO	PART NUMBER	PART NAME	QUANTITY	REMARKS
1	6G5-13610-00-00	REED VALVE ASSY	6	
2	6E5-W0004-00-00	.REED SET	1	
3	6E5-13621-A1-00	.GASKET, VALVE SEAT	6	
4	98580-05016-00	SCREW, PAN HEAD	12	
5	92990-05600-00	WASHER, PLATE	12	
6	6G5-13641-00-94	MANIFOLD 1	1	
7	624-14485-00-00	.PIPE, JOINT	7	
8	6E5-11370-00-00	.CHECK VALVE ASSY	6	
9	90445-07M28-00	.HOSE (L70)	6	
10	90445-07M45-00	HOSE (L340)	3	
11	90445-07M46-00	HOSE (L360)	1	
12	90445-07M09-00	HOSE (L380)	1	
13	90445-07M59-00	HOSE (L410)	1	
14	90464-07M05-00	CLAMP	2	
15	90465-07M20-00	CLAMP	2	
16	90116-06M30-00	BOLT, STUD	12	
17	6G5-13645-A1-00	GASKET, MANIFOLD 1	1	
18	97095-06025-00	BOLT	16	
19	92990-06600-00	WASHER, PLATE	16	
20	6E5-14198-A2-00	.GASKET	3	
21	95380-06600-00	NUT, HEXAGON	12	
22	92995-06100-00	WASHER, SPRING	12	
23	6G5-41217-01-00	ROD, ACCEL. LEVER	1	
24	6E5-41256-01-00	ROD, CHOKE 1	2	
25	661-41262-02-00	JOINT, CHOKE LEVER	5	
26	6E5-41271-02-00	KNOB, CHOKE	1	
27	689-41273-00-00	GROMMET	1	
28	6G5-14417-10-94	COVER 1	1	
29	624-14485-00-00	.PIPE, JOINT	1	
30	6E5-14485-00-00	.PIPE, JOINT	1	
31	90445-07M23-00	HOSE (L408)	1	
32	647-14395-60-00	CAP, OVERFLOW PIPE	1	
33	6G5-14483-A1-00	GASKET	1	
34	97095-06020-00	BOLT	12	
35	92990-06600-00	WASHER, PLATE	12	
36	6G5-14418-00-00	COVER 2	1	
37	6G5-1441K-00-00	EMBLEM	1	
38	6G5-14416-A1-00	GASKET, AIR CLEANER	1	
39	97095-06020-00	BOLT	10	
40	92990-06600-00	WASHER, PLATE	10	

## Part Notes

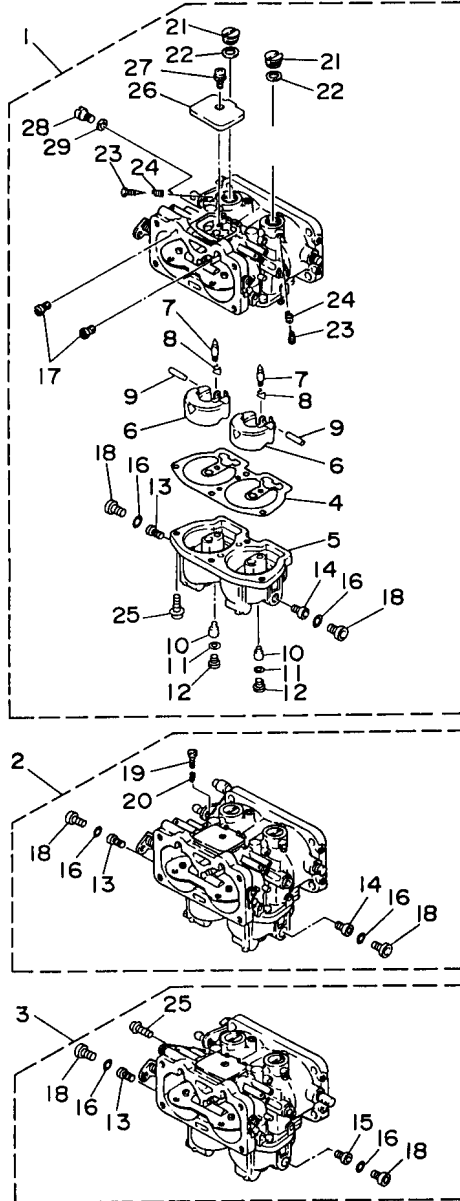
C150TLRW 1998 / INTAKE

PART NUMBER		NOTE TEXT
92990-06600-00		OEM: This part number is among the Top 100 Most Popular Marine Maintenance Parts as of August 2013.
92995-06100-00		OEM: This part number is among the Top 100 Most Popular Marine Maintenance Parts as of August 2013.
92990-06600-00		OEM: This part number is among the Top 100 Most Popular Marine Maintenance Parts as of August 2013.
92990-06600-00		OEM: This part number is among the Top 100 Most Popular Marine Maintenance Parts as of August 2013.

©2013 Yamaha Motor Corporation, U.S.A. All rights reserved.



C150TLRW 1998 / CARBURETOR



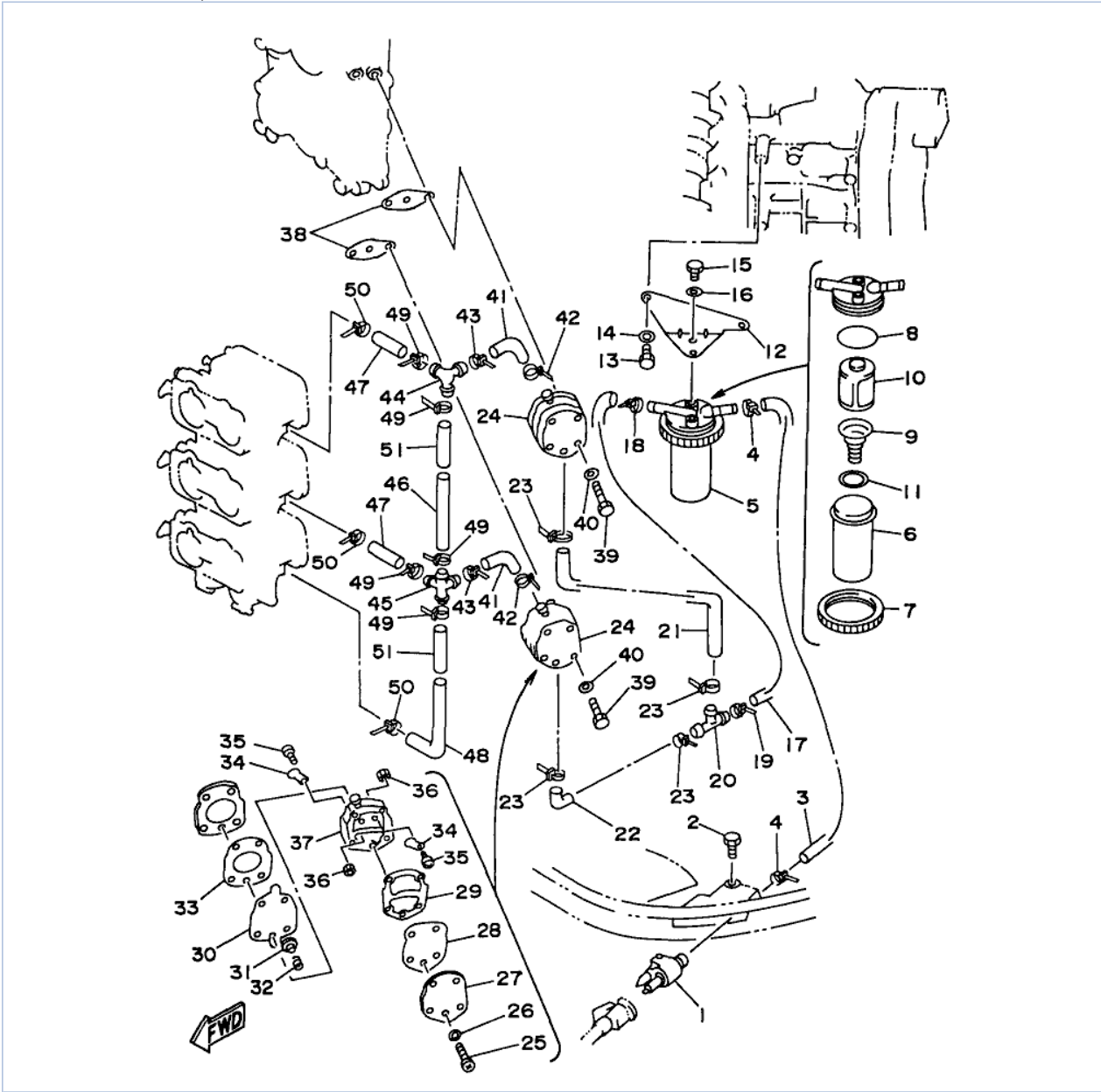
©2013 Yamaha Motor Corporation, U.S.A. All rights reserved.

## Part List

C150TLRW 1998 / CARBURETOR

REF - NO	PART NUMBER	PART NAME	QUANTITY	REMARKS
1	64C-14301-00-00	CARBURETOR ASSEMBLY 1	1	
2	64C-14302-00-00	CARBURETOR ASSEMBLY 2	1	
3	64C-14303-00-00	CARBURETOR ASSEMBLY 3	1	
4	64D-14384-00-00	.GASKET, FLOAT CHAMBER	3	
5	64D-14381-00-00	.BODY, FLOAT CHAMBER	3	
6	6E5-14385-02-00	.FLOAT	6	
7	6E5-14546-00-00	.VALVE, NEEDLE	6	
8	6E5-14159-00-00	.CLIP	6	
9	6E5-14386-02-00	.PIN, FLOAT	6	
10	64D-1492F-42-00	.JET, AIR SLOW (#84)	6	
11	61U-14959-00-00	.GASKET	6	
12	64D-14394-00-00	.VALVE, DRAIN	6	
13	64D-1492E-75-00	.JET, MAIN (#150)	3	
14	64D-1492E-77-00	.JET, MAIN (#154)	2	
15	64D-1492E-79-00	.JET, MAIN (#158)	1	
16	6E5-14398-01-00	.GASKET	6	
17	61A-1492H-12-00	.JET, SLOW AIR BLEED (#60)	6	
18	61A-14383-01-00	.SCREW, DRAIN	6	
19	6E5-14321-00-00	.SCREW, THROTTLE	1	CENTER
20	6J8-14334-00-00	.SPRING, THROTTLE	1	CENTER
21	6E5-14328-01-00	.PLUG	6	
22	6E5-14979-00-00	.GASKET	6	
23	6E5-14323-03-00	.SCREW, AIR ADJUSTING	6	
24	6E5-14223-00-00	.SPRING, AIR ADJUSTING	6	
25	97980-05116-00	.SCREW, WITH WASHER	13	
26	6E5-14527-01-00	.PLATE	3	
27	97980-05108-00	.SCREW, WITH WASHER	3	
28	6E5-14324-00-00	.SCREW, FLAT HEAD	3	
29	6J8-14995-00-00	.GASKET	3	

C150TLRW 1998 / FUEL



©2013 Yamaha Motor Corporation, U.S.A. All rights reserved.







## Part List

C150TLRW 1998 / FUEL

REF - NO	PART NUMBER	PART NAME	QUANTITY	REMARKS
1	6E5-24304-10-00	FUEL PIPE JOINT COMP. 1	1	
2	97095-06028-00	BOLT	1	
3	6G5-24313-01-00	PIPE 3	1	
4	90465-11M10-00	CLAMP	2	
5	61A-24560-02-00	FILTER ASSEMBLY	1	
6	61A-24521-00-00	.CUP, FILTER	1	
7	61A-24531-00-00	.NUT	1	
8	61A-24564-00-00	.O-RING	1	
9	61A-24577-01-00	.SPRING	1	
10	61A-24563-00-00	.ELEMENT, FILTER	1	
11	61A-24469-00-00	.FLOAT, WATER LEVEL	1	
12	61U-24566-00-00	BRACKET, FILTER	1	
13	97095-06014-00	BOLT	2	
14	92990-06600-00	WASHER, PLATE	2	
15	97095-06016-00	BOLT	2	
16	92990-06600-00	WASHER, PLATE	2	
17	6G5-24314-10-00	PIPE 4	1	
18	90465-11M10-00	CLAMP	1	
19	90465-11M10-00	CLAMP	1	
20	6E5-24378-00-00	PIPE, JOINT 3	1	
21	6G5-24315-00-00	PIPE 5	1	
22	6E5-24315-00-00	PIPE 5	1	
23	90465-11M10-00	CLAMP	4	
24	6E5-24410-03-00	FUEL PUMP ASSY	2	
25	98580-05035-00	.SCREW, PAN HEAD	3	
26	92990-05600-00	.WASHER, PLATE	3	
27	6E5-24413-00-00	.BODY 2	1	
28	6E5-24471-00-00	.DIAPHRAGM	1	
29	6E5-24435-00-00	.GASKET, BODY 2	1	
30	6E5-24411-00-00	.DIAPHRAGM	1	
31	648-24424-00-00	.SEAT, SPRING	1	
32	6E5-24423-00-00	.SPRING, DIAPHRAGM	1	
33	6E5-24434-02-00	.GASKET, BODY	1	
34	6A0-24421-01-00	.VALVE, CHECK	4	
35	6A0-14325-00-00	.SCREW, PAN HEAD	4	
36	95380-03600-00	.NUT	4	
37	6E5-24412-02-00	.BODY 1	1	
38	650-24431-A0-00	GASKET, FUEL PUMP 1	2	
39	97095-06050-00	BOLT	4	
40	92990-06600-00	WASHER, PLATE	4	
41	6G5-24316-10-00	PIPE 6	2	
42	90465-11M10-00	CLAMP	2	
43	90465-11M10-00	CLAMP	2	
44	6G5-24376-00-00	PIPE, JOINT 1	1	
45	6G5-24377-00-00	PIPE, JOINT 2	1	
46	6G5-24317-01-00	PIPE 7	1	
47	6G5-24318-10-00	PIPE, OVERFLOW	2	
48	6G5-24319-10-00	PIPE, OIL	1	
49	90465-11M10-00	CLAMP	5	
50	90465-11M10-00	CLAMP	3	
51	90446-15M07-00	HOSE (L60)	2	

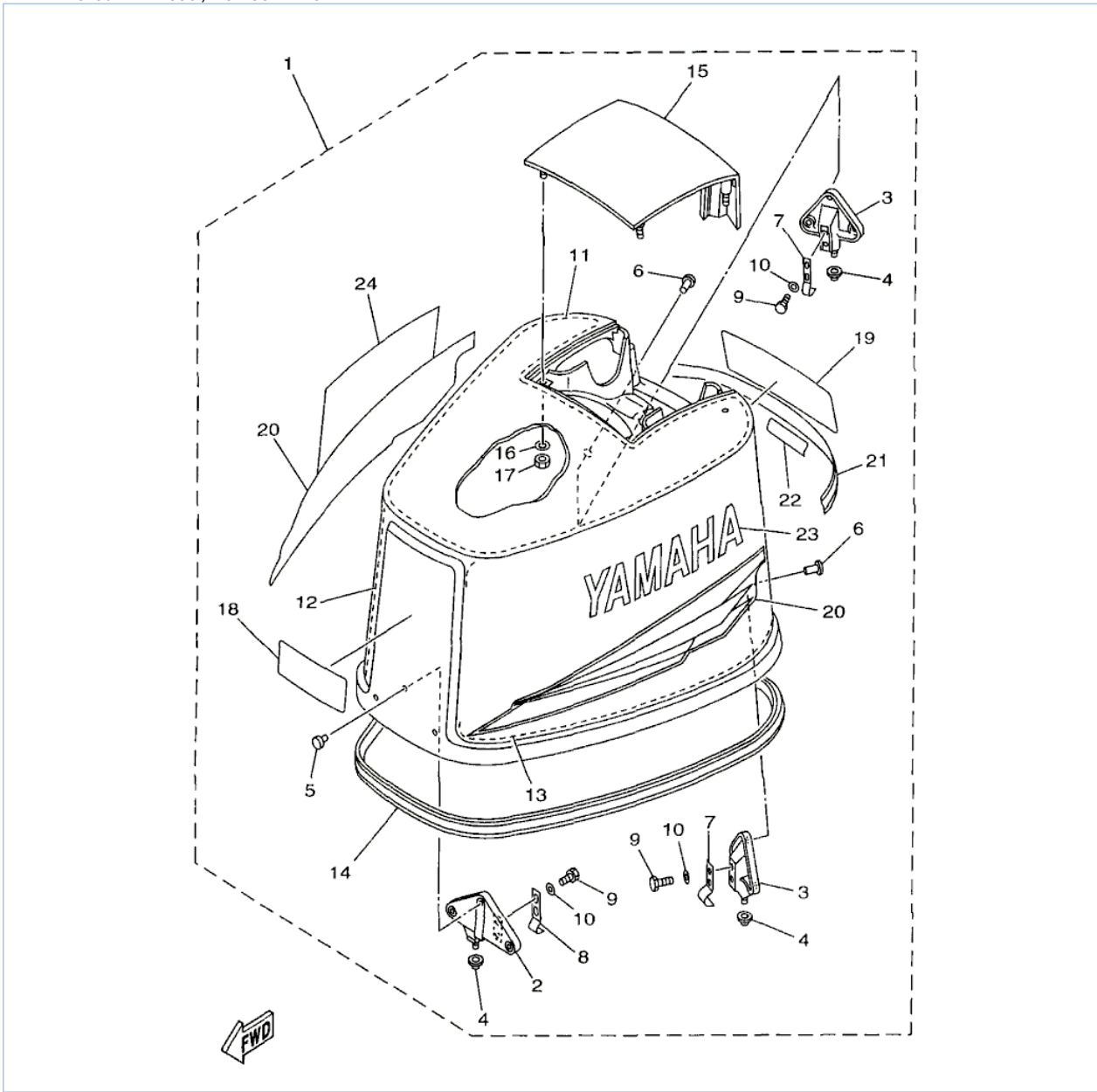
## Part Notes

C150TLRW 1998 / FUEL

PART NUMBER		NOTE TEXT
61A-24564-00-00		OEM: This part number is among the Top 100 Most Popular Marine Maintenance Parts as of August 2013.
92990-06600-00		OEM: This part number is among the Top 100 Most Popular Marine Maintenance Parts as of August 2013.
92990-06600-00		OEM: This part number is among the Top 100 Most Popular Marine Maintenance Parts as of August 2013.
6E5-24410-03-00		OEM: This part number is among the Top 100 Most Popular Marine Maintenance Parts as of August 2013.
650-24431-A0-00		OEM: This part number is among the Top 100 Most Popular Marine Maintenance Parts as of August 2013.
92990-06600-00		OEM: This part number is among the Top 100 Most Popular Marine Maintenance Parts as of August 2013.

©2013 Yamaha Motor Corporation, U.S.A. All rights reserved.

C150TLRW 1998 / TOP COWLING



©2013 Yamaha Motor Corporation, U.S.A. All rights reserved.



## Part List

C150TLRW 1998 / TOP COWLING

REF - NO	PART NUMBER	PART NAME	QUANTITY	REMARKS
1	6G4-42610-31-4D	TOP COWLING ASSEMBLY	1	
2	6E5-42647-00-94	.HOLDER, CLAMP BAND	1	
3	6E5-42649-01-94	.HOLDER, CLAMP BAND	2	
4	663-42662-00-00	.DAMPER	3	
5	90266-06M02-00	.RIVET	3	
6	90266-06M02-00	.RIVET	6	
7	6E5-42652-00-00	.HOOK	2	
8	688-42652-10-00	.HOOK	1	
9	97095-06016-00	.BOLT	6	
10	92990-06600-00	.WASHER, PLATE	6	
11	6E5-42617-00-00	.DAMPER, FORM	1	
12	689-W4266-50-00	.DAMPER, FORM (6G5-42619-00-00)	1	
13	689-W4266-50-00	.DAMPER, FORM (6G5-42619-00-00)	1	
14	6E5-42615-00-00	.SEAL	1	
15	6G5-42613-00-4D	.MOLDING, AIR DUCT	1	
16	92990-06600-00	.WASHER, PLATE	4	
17	95380-06600-00	.NUT, HEXAGON	4	
18	6G4-42677-31-00	.GRAPHIC, FRONT	1	
19	6G4-42678-31-00	.GRAPHIC, REAR	1	
20	6G5-W0070-31-00	.GRAPHIC SET	1	
21	6G5-4267A-31-00	.GRAPHIC, REAR 2	1	
22	64D-42678-30-00	.GRAPHIC, REAR	1	
23	6G5-42681-31-00	.MARK, COWLING	1	
24	6G5-42682-31-00	.MARK, COWLING	1	

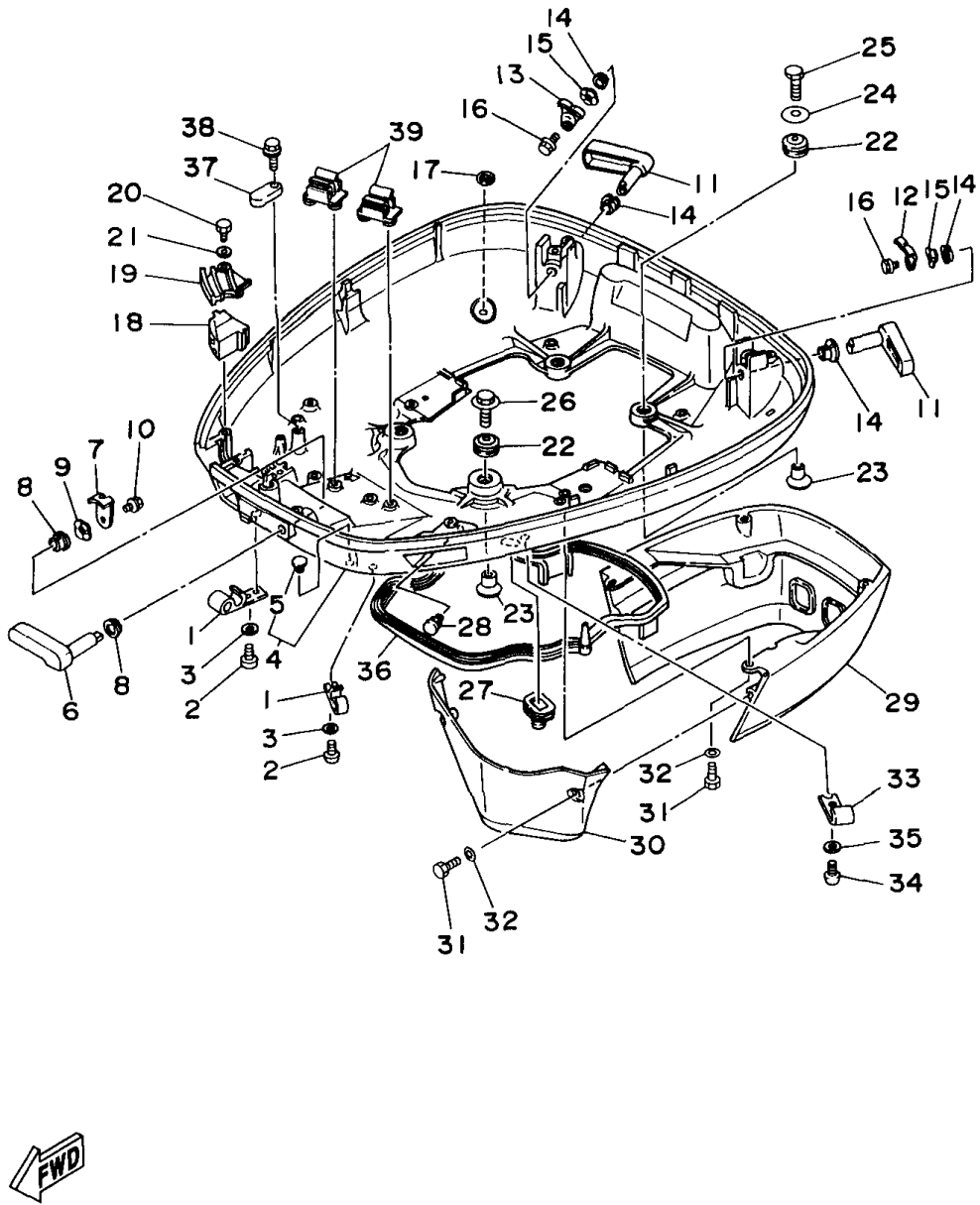
## Part Notes

C150TLRW 1998 / TOP COWLING

PART NUMBER		NOTE TEXT
92990-06600-00		OEM: This part number is among the Top 100 Most Popular Marine Maintenance Parts as of August 2013.
92990-06600-00		OEM: This part number is among the Top 100 Most Popular Marine Maintenance Parts as of August 2013.

©2013 Yamaha Motor Corporation, U.S.A. All rights reserved.

C150TLRW 1998 / BOTTOM COWLING



©2013 Yamaha Motor Corporation, U.S.A. All rights reserved.







## Part List

C150TLRW 1998 / BOTTOM COWLING

REF - NO	PART NUMBER	PART NAME	QUANTITY	REMARKS
1	6E5-24367-01-00	CLAMP, FUEL PIPE 2	2	
2	90157-06M01-00	SCREW, PAN HEAD	2	
3	92990-06600-00	WASHER, PLATE	2	
4	6E5-W4271-05-4D	COWLING, BOTTOM	1	
5	6H4-42748-00-00	.GROMMET	1	
6	688-42815-01-4D	LEVER, CLAMP	1	
7	688-42816-00-00	LEVER, CLAMP	1	
8	90386-13M38-00	BUSH	2	
9	90206-13M10-00	WASHER, WAVE	1	
10	90119-06M09-00	BOLT, WITH WASHER	1	
11	6E5-42817-01-4D	LEVER, CLAMP	2	
12	6G5-42816-00-00	LEVER, CLAMP	1	
13	6E5-42816-01-00	LEVER, CLAMP	1	
14	90386-13M38-00	BUSH	4	
15	90206-13M10-00	WASHER, WAVE	2	
16	90119-06M09-00	BOLT, WITH WASHER	2	
17	6E5-44391-00-00	NIPPLE, HOSE	1	
18	6E5-42725-00-00	GROMMET	1	
19	6E5-42738-01-5B	PLATE, FITTING	1	
20	97095-06016-00	BOLT	2	
21	92990-06600-00	WASHER, PLATE	2	
22	90480-22M15-00	GROMMET	4	
23	90387-08M37-00	COLLAR	4	
24	90201-08M54-00	WASHER, PLATE	1	
25	97075-08035-00	BOLT	1	
26	90119-08M22-00	BOLT, WITH WASHER	4	
27	688-42726-10-00	GROMMET	1	
28	90480-10M36-00	GROMMET	1	
29	6E5-42741-01-4D	APRON	1	
30	6E5-42771-01-4D	APRON	1	
31	97095-06020-00	BOLT	6	
32	92990-06600-00	WASHER, PLATE	6	
33	6E5-24367-10-00	CLAMP, FUEL PIPE 2	1	
34	90157-06M01-00	SCREW, PAN HEAD	1	
35	92990-06600-00	WASHER, PLATE	1	
36	6E5-42716-00-00	RUBBER, SEAL 1	1	
37	6E5-82588-00-00	PLATE	1	
38	97595-06520-00	BOLT, WITH WASHER	1	
39	6E5-82594-00-00	CLAMP	2	

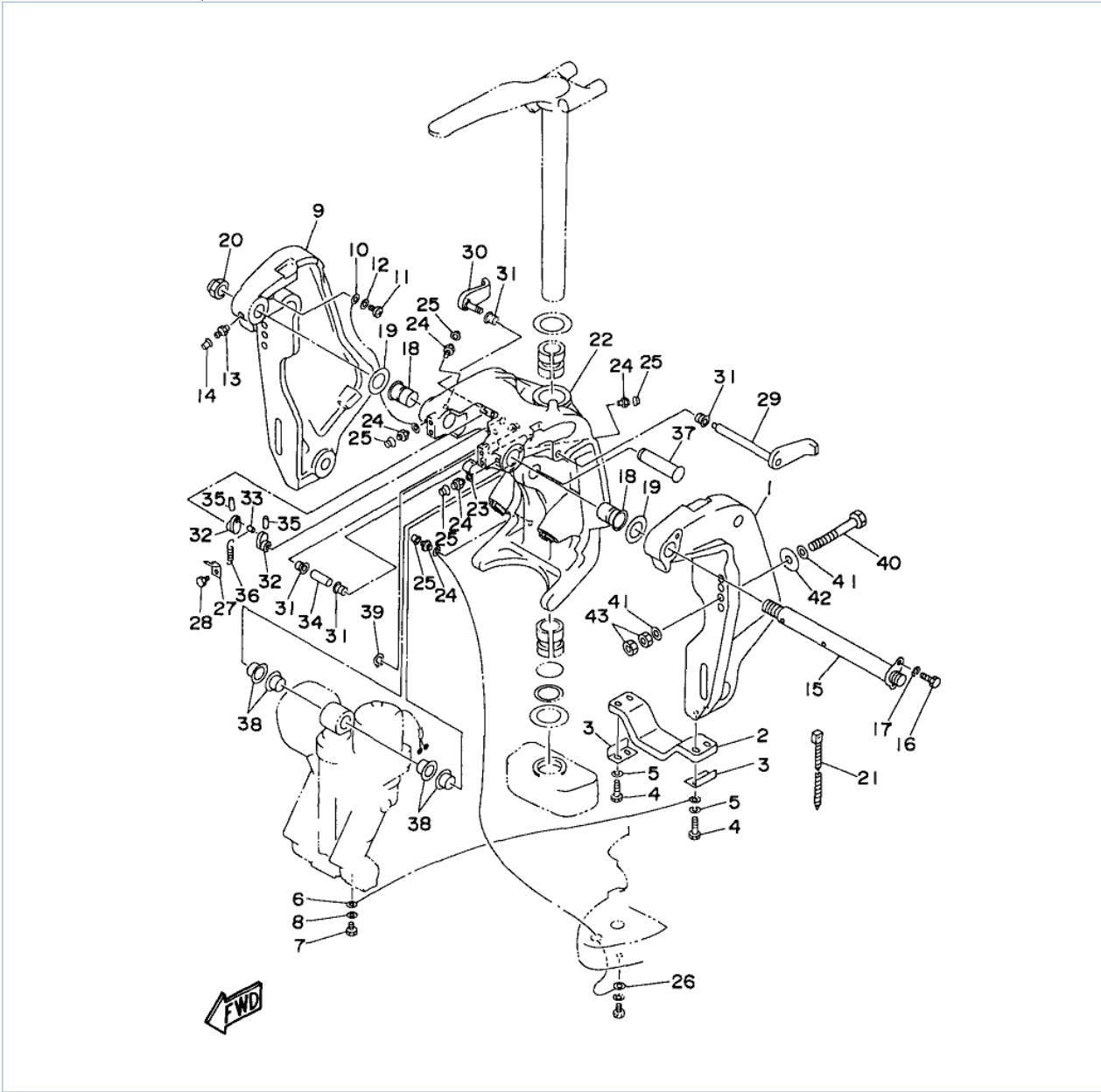
## Part Notes

C150TLRW 1998 / BOTTOM COWLING

PART NUMBER		NOTE TEXT
92990-06600-00		OEM: This part number is among the Top 100 Most Popular Marine Maintenance Parts as of August 2013.
92990-06600-00		OEM: This part number is among the Top 100 Most Popular Marine Maintenance Parts as of August 2013.
92990-06600-00		OEM: This part number is among the Top 100 Most Popular Marine Maintenance Parts as of August 2013.
92990-06600-00		OEM: This part number is among the Top 100 Most Popular Marine Maintenance Parts as of August 2013.

©2013 Yamaha Motor Corporation, U.S.A. All rights reserved.

C150TLRW 1998 / BRACKET 1



©2013 Yamaha Motor Corporation, U.S.A. All rights reserved.



## Part List




C150TLRW 1998 / BRACKET 1

REF - NO	PART NUMBER	PART NAME	QUANTITY	REMARKS
1	64E-43111-00-8D	BRACKET, CLAMP	1	
2	6G5-45251-01-00	ANODE	1	
3	6G5-44526-00-00	PLATE	2	
4	97095-06030-00	BOLT	4	
5	92995-06100-00	WASHER, SPRING	4	
6	6E5-82148-00-00	WIRE, LEAD 4	1	
7	97095-06010-00	BOLT	1	
8	92990-06600-00	WASHER, PLATE	1	
9	64E-43112-00-8D	BRACKET, CLAMP	1	
10	6E5-82148-00-00	WIRE, LEAD 4	1	
11	98580-06012-00	SCREW, PAN HEAD	1	
12	92990-06600-00	WASHER, PLATE	1	
13	93700-06M03-00	NIPPLE, GREASE	1	
14	663-45119-00-00	CAP, GREASE NIPPLE	1	AP
15	64E-43131-01-00	BOLT, CLAMP BRACKET	1	
16	97095-08020-00	BOLT	1	
17	92995-08100-00	WASHER	1	
18	90386-25M31-00	BUSH	2	
19	90201-26M59-00	WASHER, PLATE	2	
20	90185-22M11-00	NUT, SELF-LOCKING	1	
21	90465-11M10-00	CLAMP	1	
22	64E-43311-10-8D	BRACKET, SWIVEL 1	1	UR LONG
22	64E-43311-20-8D	BRACKET, SWIVEL 1	1	UR ULTRA LONG
23	90465-08M63-00	CLAMP	1	
24	93700-06M03-00	NIPPLE, GREASE	5	
25	663-45119-00-00	CAP, GREASE NIPPLE	5	AP
26	6E5-82147-00-00	WIRE, LEAD 5	1	UR LONG
26	6E5-82147-20-00	WIRE, LEAD 5	1	UR ULTRA LONG
27	6G5-43144-00-00	HOOK, SPRING	1	
28	97095-06010-00	BOLT	1	
29	6G5-43181-02-00	LEVER, TILT STOP 1	1	
30	6G5-43185-02-00	LEVER, TILT STOP 2	1	
31	90386-10M16-00	BUSH	4	
32	6G5-43148-00-00	COLLAR, DISTANCE	2	
33	90249-06M19-00	PIN	1	
34	90387-10M05-00	COLLAR	1	
35	91690-30020-00	PIN, SPRING	2	
36	90506-14M24-00	SPRING, TENSION	1	
37	64E-43126-00-00	PIN, UPPER SHOCK MOUNT	1	
38	90386-22M98-00	BUSH	4	
39	93410-22M11-00	CIRCLIP	1	
40	90101-12M03-00	BOLT (L:115MM)	4	
41	90201-13M01-00	WASHER, PLATE	8	
42	90201-12M05-00	WASHER, PLATE	4	
43	95380-12600-00	NUT	8	

## Part Notes

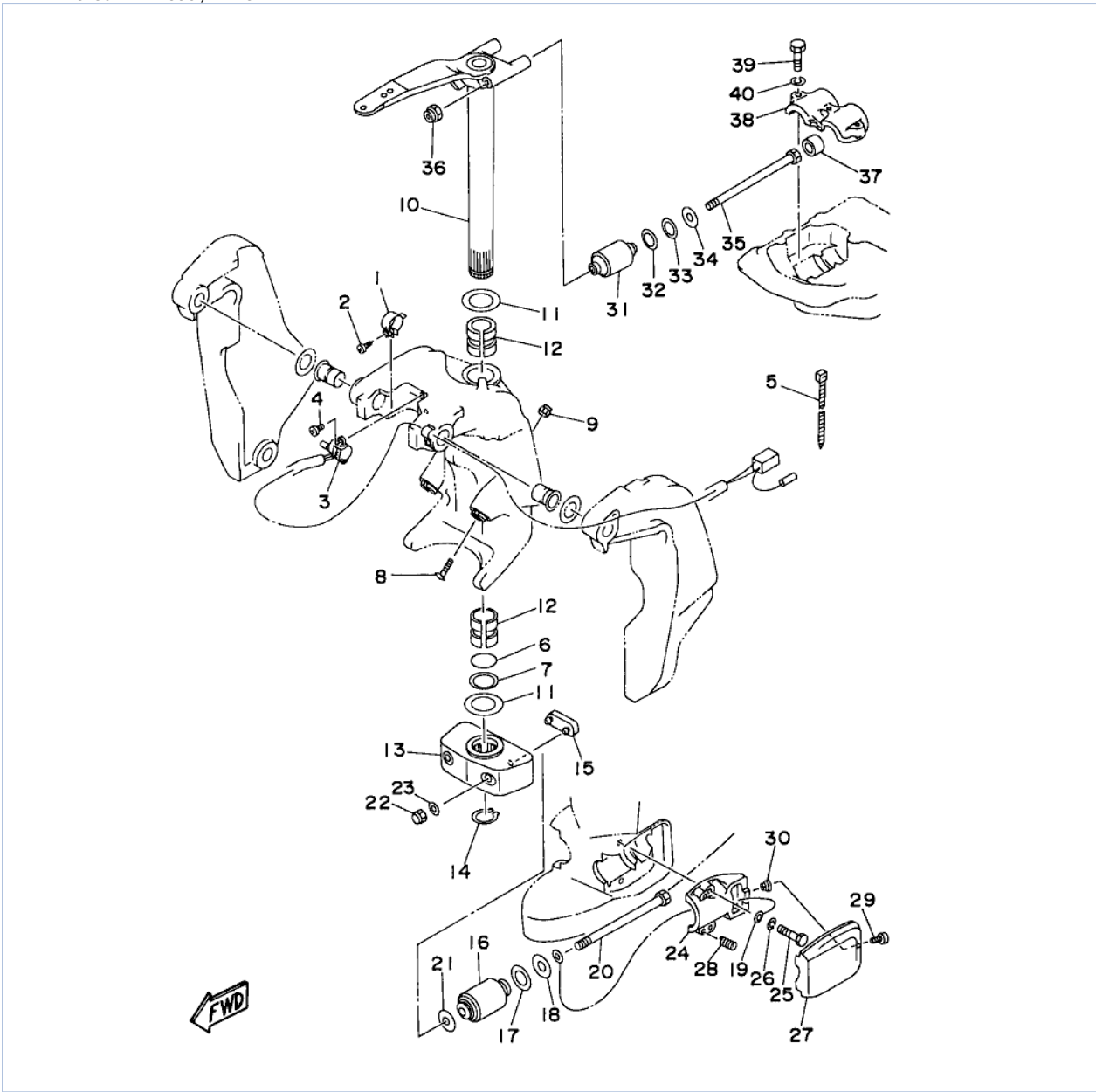
C150TLRW 1998 / BRACKET 1

PART NUMBER		NOTE TEXT
92995-06100-00		OEM: This part number is among the Top 100 Most Popular Marine Maintenance Parts as of August 2013.
92990-06600-00		OEM: This part number is among the Top 100 Most Popular Marine Maintenance Parts as of August 2013.

92990-06600-00		OEM: This part number is among the Top 100 Most Popular Marine Maintenance Parts as of August 2013.
93700-06M03-00		OEM: This part number is among the Top 100 Most Popular Marine Maintenance Parts as of August 2013.
93700-06M03-00		OEM: This part number is among the Top 100 Most Popular Marine Maintenance Parts as of August 2013.

©2013 Yamaha Motor Corporation, U.S.A. All rights reserved.

C150TLRW 1998 / BRACKET 2



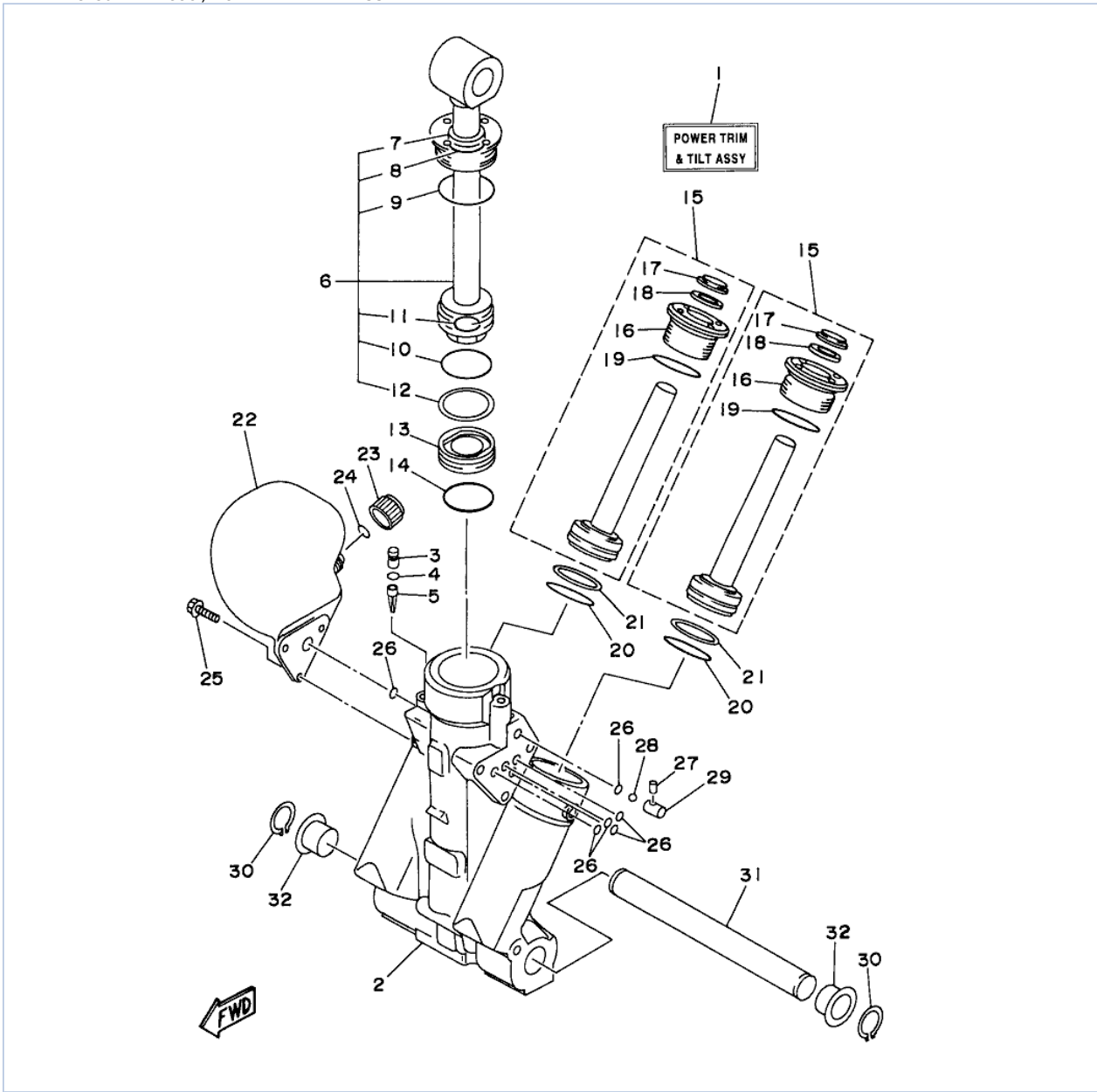
©2013 Yamaha Motor Corporation, U.S.A. All rights reserved.

## Part List

C150TLRW 1998 / BRACKET 2

REF - NO	PART NUMBER	PART NAME	QUANTITY	REMARKS
1	64E-43139-00-00	CAM, TRIM SENDER	1	
2	97780-60525-00	SCREW, TAPPING	1	
3	64E-83672-00-00	TRIM SENDER	1	
4	97885-06016-00	SCREW, PAN HEAD	2	
5	90465-11M10-00	CLAMP	3	
6	93210-37MH7-00	O-RING	1	
7	90202-40M47-00	WASHER, PLATE	1	
8	61A-43376-00-00	BOLT, THRUST RECEIVER	2	
9	95780-10300-00	NUT, FLANGE	2	
10	6E5-42510-25-8D	STEERING BRACKET ASSEMBLY	1	UR ULTRA LONG
10	6E5-42510-05-8D	STEERING BRACKET ASSEMBLY	1	UR LONG
11	90201-38M60-00	WASHER, PLATE	2	
12	90386-38M32-00	BUSH	2	
13	6G5-44551-01-8D	HOUSING, LOWER MOUNT RUBBER	1	
14	93410-37M04-00	CIRCLIP	1	
15	6E5-44575-00-00	DAMPER, LOWER MOUNT RUBBER	1	
16	6G5-44555-00-94	MOUNT DAMPER, LOWER SIDE	2	
17	90202-32M19-00	WASHER, PLATE	2	
18	90201-16M55-00	WASHER, PLATE	2	
19	6E5-82149-00-00	WIRE, LEAD 3	1	
20	90109-14M34-00	BOLT	2	
21	90201-15M58-00	WASHER, PLATE	2	
22	95380-14800-00	NUT	2	
23	92995-14600-00	WASHER	2	
24	6E5-44552-01-94	HOUSING, LOWER MOUNT RUBBER	2	
25	97095-10045-00	BOLT	4	
26	92990-10100-00	WASHER, SPRING	4	
27	6E5-44553-01-8D	COVER, LOWER MOUNT	2	
28	90501-16M28-00	SPRING, COMPRESSION	4	
29	97885-06016-00	SCREW, PAN HEAD	2	
30	90179-06066-00	NUT	2	
31	6G5-44514-00-94	MOUNT DAMPER, UPPER SIDE	2	
32	90201-26M57-00	WASHER, PLATE	2	
33	90202-26M18-00	WASHER, PLATE	2	
34	90201-14M56-00	WASHER, PLATE	2	
35	90109-12M37-00	BOLT	2	
36	90185-12M12-00	NUT, SELF-LOCKING	2	
37	663-44575-00-00	DAMPER, LOWER MOUNT RUBBER	2	
38	6E5-44511-00-5B	COVER, UPPER MOUNT	1	
39	97095-10045-00	BOLT	3	
40	92990-10100-00	WASHER, SPRING	3	

C150TLRW 1998 / POWER TRIM TILT ASSEMBLY 1



©2013 Yamaha Motor Corporation, U.S.A. All rights reserved.





## Part List

C150TLRW 1998 / POWER TRIM TILT ASSEMBLY 1

REF - NO	PART NUMBER	PART NAME	QUANTITY	REMARKS
1	64E-43800-00-4D	POWER TRIM & TILT ASSEMBLY	1	
2	64E-43825-00-00	HOUSING, TRIM & TILT	1	
3	64E-4388J-00-00	PLUG 2	1	
4	93210-10M74-00	O-RING	1	
5	64E-43817-00-00	FILTER 2	1	
6	64E-43810-00-00	TILT PISTON SUB ASSY	1	
7	64E-43898-00-00	.SEAL, DUST 2	1	
8	64E-43867-00-00	.O-RING	1	
9	64E-43866-00-00	.O-RING	1	
10	6E5-43862-00-00	.O-RING	1	
11	64E-43883-00-00	.O-RING	1	
12	6E5-43872-00-00	.RING, BACK UP	1	
13	6E5-43814-02-00	PISTON, FREE	1	
14	6E5-43862-00-00	O-RING	1	
15	64E-43820-00-00	PISTON SUB ASSEMBLY	2	
16	64E-43821-00-00	.SCREW, TRIM CYLINDER END	1	
17	64E-43822-00-00	.SEAL, TRIM DUST	1	
18	64E-4384J-00-00	.SEAL, TRIM DOWN	1	
19	6G5-43864-00-00	.O-RING	1	
20	6E5-43864-00-00	O-RING	2	
21	6E5-43874-01-00	RING, BACK UP	2	
22	64E-43828-00-00	BODY, RESERVOIR	1	
23	64E-43829-00-00	PLUG, RESERVOIR	1	
24	64E-43897-00-00	O-RING	1	
25	64E-4388E-00-00	BOLT ,SCREW (L:14MM)	3	
26	64E-43869-00-00	O-RING	6	
27	64E-4381G-00-00	PIN	1	
28	6E5-43858-00-00	BALL	1	
29	6E5-4382G-00-00	VALVE SEAT	1	
30	93410-22M11-00	CIRCLIP	2	
31	64E-43818-00-00	PIN, LOWER SHOCK MOUNT	1	
32	90386-22M98-00	BUSH	2	

## Part Notes

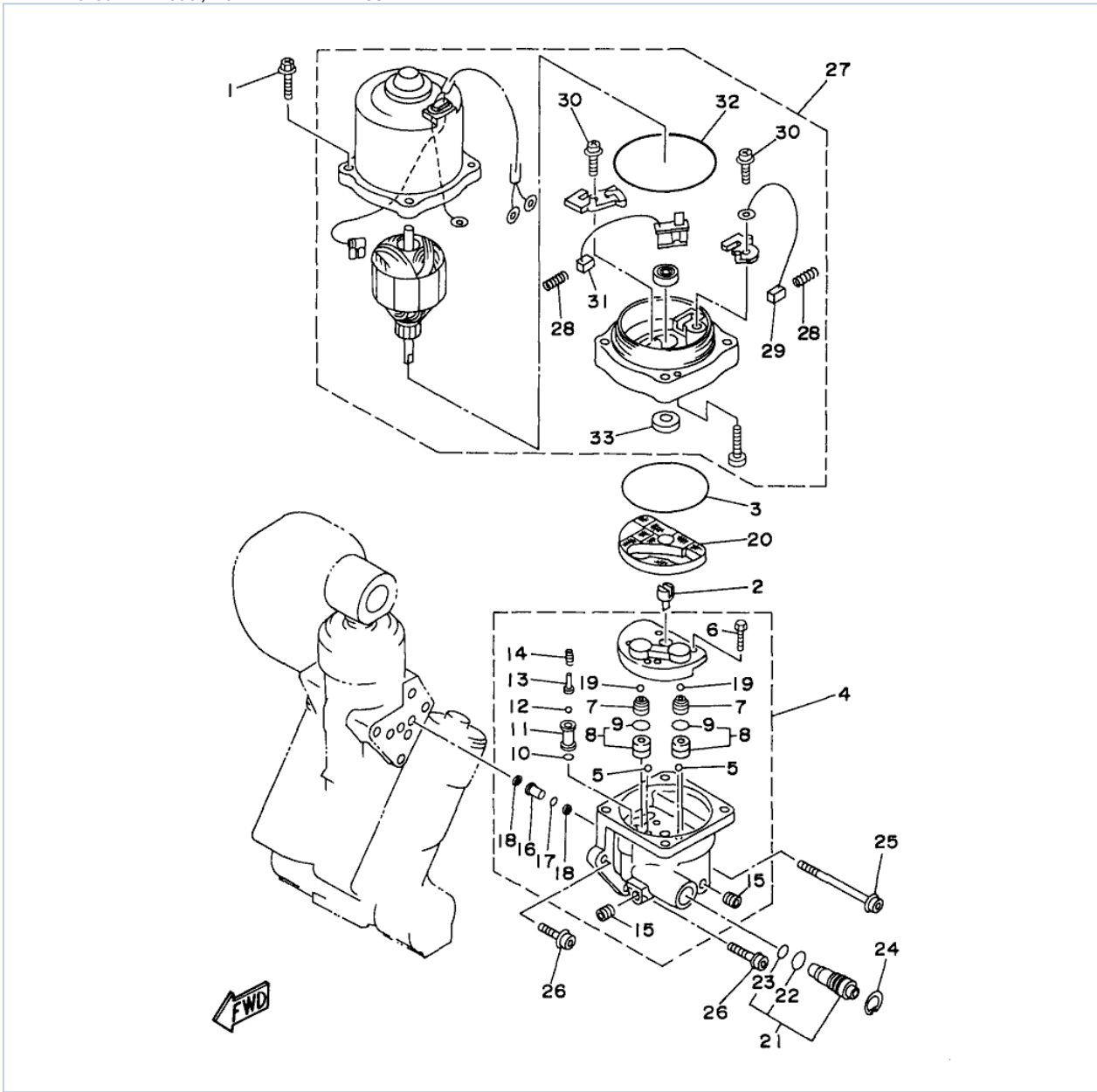
C150TLRW 1998 / POWER TRIM TILT ASSEMBLY 1

PART NUMBER	NOTE TEXT
64E-43822-00-00 	OEM: This part number is among the Top 100 Most Popular Marine Maintenance Parts as of August 2013.
64E-4384J-00-00 	OEM: This part number is among the Top 100 Most Popular Marine Maintenance Parts as of August 2013.
6G5-43864-00-00 	OEM: This part number is among the Top 100 Most Popular Marine Maintenance Parts as of August 2013.
64E-43869-00-00 	OEM: This part number is among the Top 100 Most Popular Marine Maintenance Parts as of August 2013.

©2013 Yamaha Motor Corporation, U.S.A. All rights reserved.



C150TLRW 1998 / POWER TRIM TILT ASSEMBLY 2



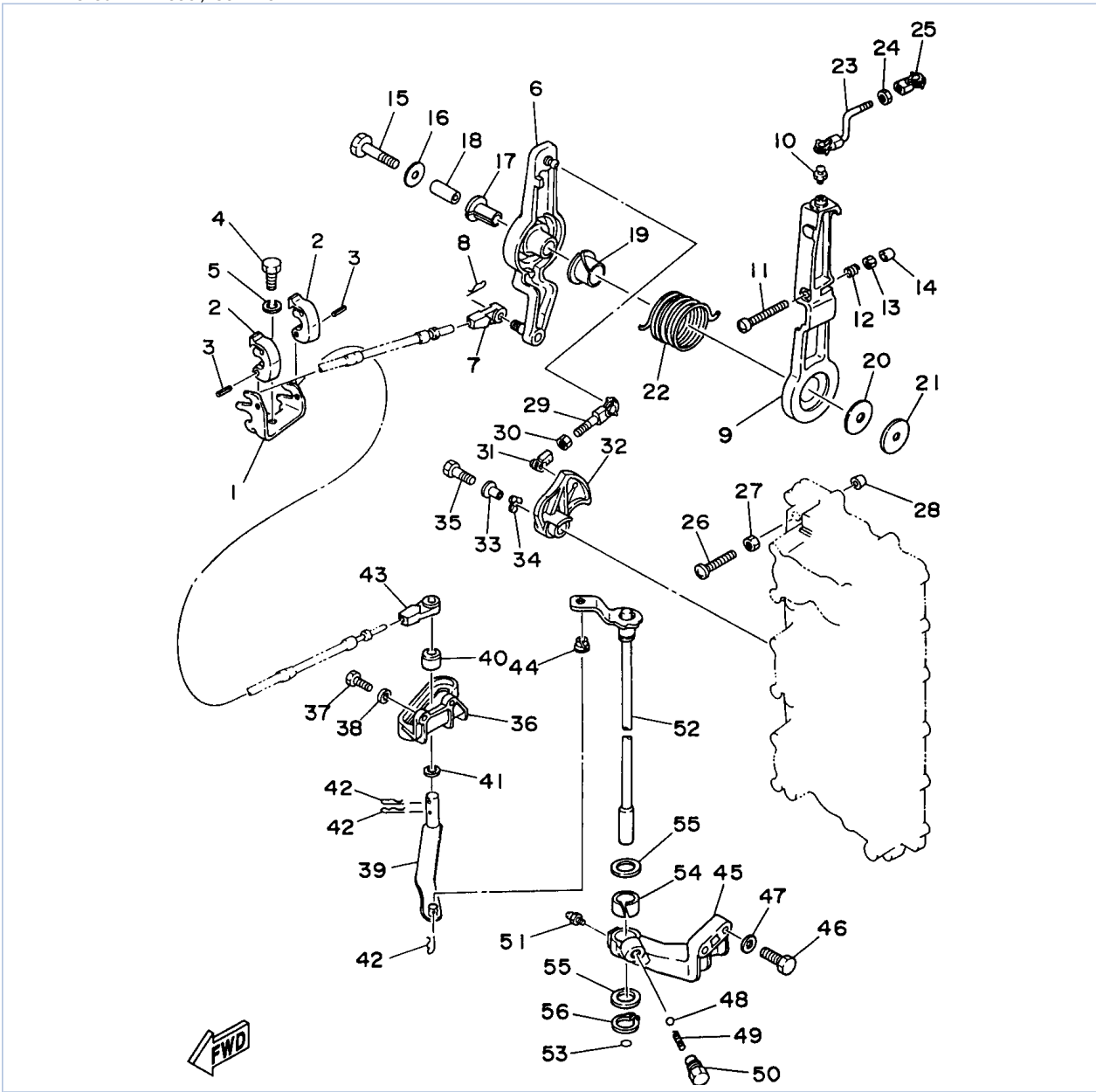
©2013 Yamaha Motor Corporation, U.S.A. All rights reserved.

## Part List

C150TLRW 1998 / POWER TRIM TILT ASSEMBLY 2

REF - NO	PART NUMBER	PART NAME	QUANTITY	REMARKS
1	64E-4388E-00-00	BOLT ,SCREW (L:14MM)	4	
2	64E-43831-00-00	CONNECTOR, SHAFT	1	
3	64E-43868-00-00	O-RING	1	
4	64E-43830-00-00	GEAR PUMP ASSY	1	
5	72X-43858-00-00	.BALL	2	
6	64E-43843-00-00	.SCREW, VALVE LOCK	4	
7	64E-43841-00-00	.PISTON, SHUTTLE	2	
8	64E-43802-00-00	.VALVE SUB ASSY	2	
9	6E5-43896-00-00	..O-RING	1	
10	6G5-43863-00-00	.O-RING	1	
11	64E-43851-00-00	.SEAT, RELIEF VALVE	1	
12	64E-43858-00-00	.BALL	1	
13	64E-43859-00-00	.PIN, VALVE SUPPORT	1	
14	64E-43855-00-00	.SPRING, UP RELIEF	1	
15	6E5-43826-01-00	.PLUG, TAPER SCREW	2	
16	64E-43855-00-00	.SPRING, UP RELIEF	1	
17	64E-43865-00-00	.O-RING	1	
18	64E-43816-00-00	.FILTER 1	2	
19	64E-43858-00-00	.BALL	2	
20	64E-43817-10-00	FILTER 2	1	
21	64E-43860-00-00	MANUAL VALVE SUB-ASSY	1	
22	72X-85075-L0-00	.O-RING	1	
23	64E-43862-00-00	.O-RING	1	
24	64E-43875-00-00	RING, SNAP	1	
25	64E-43879-10-00	SCREW, WITH WASHER	1	
26	64E-43879-00-00	SCREW, WITH WASHER	2	
27	64E-43880-00-00	MOTOR ASSY	1	
28	6H1-4386K-10-00	.SPRING, BRUSH	2	
29	64E-43891-00-00	.BRUSH 1	1	
30	98507-04010-00	.SCREW, PAN HEAD	2	
31	64E-43892-00-00	.BREAKER COMP (BRUSH 2)	1	
32	6G5-43865-00-00	.O-RING	1	
33	93102-08M43-00	.OIL SEAL	1	

C150TLRW 1998 / CONTROL



©2013 Yamaha Motor Corporation, U.S.A. All rights reserved.

## Part List





C150TLRW 1998 / CONTROL

REF - NO	PART NUMBER	PART NAME	QUANTITY	REMARKS
1	6E5-48531-00-00	BRACKET, REMOTE CONTROL 1	1	
2	6E5-48538-00-00	CLAMP, CABLE	2	
3	91690-30012-00	PIN, SPRING	2	
4	97095-08020-00	BOLT	1	
5	92990-08100-00	WASHER, SPRING	1	
6	61H-41632-02-94	LEVER, MAGNETO CONTROL	1	
7	6E5-48344-00-00	CABLE END, REMOTE CONTROL	1	
8	90468-18008-00	CLIP	1	
9	6G5-41631-01-94	LEVER, MAGNETO CONTROL	1	
10	663-85518-00-00	JOINT, BALL	1	
11	90157-06M11-00	SCREW, PAN HEAD	1	
12	90501-16M12-00	SPRING, COMPRESSION	1	
13	95380-06600-00	NUT, HEXAGON	1	
14	688-44194-00-00	CAP	1	
15	97013-08045-00	BOLT	1	
16	90201-08M54-00	WASHER, PLATE	1	
17	90386-12089-00	BUSH	1	
18	90387-08M16-00	COLLAR	1	
19	90386-22M13-00	BUSH	1	
20	90202-12092-00	WASHER, PLATE	1	
21	90201-08M13-00	WASHER, PLATE	1	
22	90508-29M12-00	SPRING, TORSION	1	
23	6G5-41636-01-00	ROD, MAGNETO CONTROL	1	
24	95380-05600-00	NUT	1	
25	6H1-41237-00-00	JOINT, LINK	1	
26	90157-06M13-00	SCREW, PAN HEAD	1	
27	95380-06600-00	NUT, HEXAGON	1	
28	688-44194-00-00	CAP	1	
29	6G5-41211-01-00	LINK, ACCEL.	1	
30	95380-05600-00	NUT	1	
31	6H1-41237-00-00	JOINT, LINK	1	
32	6G5-41213-00-00	CAM, ACCEL.	1	
33	90387-06M29-00	COLLAR	1	
34	90206-10M04-00	WASHER, WAVE	1	
35	97095-06025-00	BOLT	1	
36	6E5-44117-00-94	BRACKET	1	
37	97095-06020-00	BOLT	2	
38	92990-06600-00	WASHER, PLATE	2	
39	6E5-44121-01-00	LEVER, SHIFT ROD	1	
40	6E5-44122-00-00	BUSHING, SHIFT ROD LEVER	1	
41	90202-08M20-00	WASHER, PLATE	1	
42	90468-18008-00	CLIP	3	
43	6E5-48344-00-00	CABLE END, REMOTE CONTROL	1	
44	90386-06M12-00	BUSH	1	
45	6E5-44118-01-94	BRACKET	1	
46	97013-08030-00	BOLT	2	
47	92990-08600-00	.WASHER, PLATE	2	
48	93501-04M02-00	BALL	1	
49	90501-12082-00	SPRING, COMPRESSION	1	
50	648-42715-00-00	BUSHING	1	
51	93700-06M03-00	NIPPLE, GREASE	1	

52	6E5-44120-23-00	HANDLE GEAR SHIFT ASSY	1	UR ULTRA LONG
52	6E5-44120-03-00	HANDLE GEAR SHIFT ASSY	1	UR LONG
53	93210-09350-00	O-RING	1	
54	90386-16M66-00	BUSH	1	
55	90202-16061-00	WASHER, PLATE	2	
56	99009-16400-00	CIRCLIP	1	

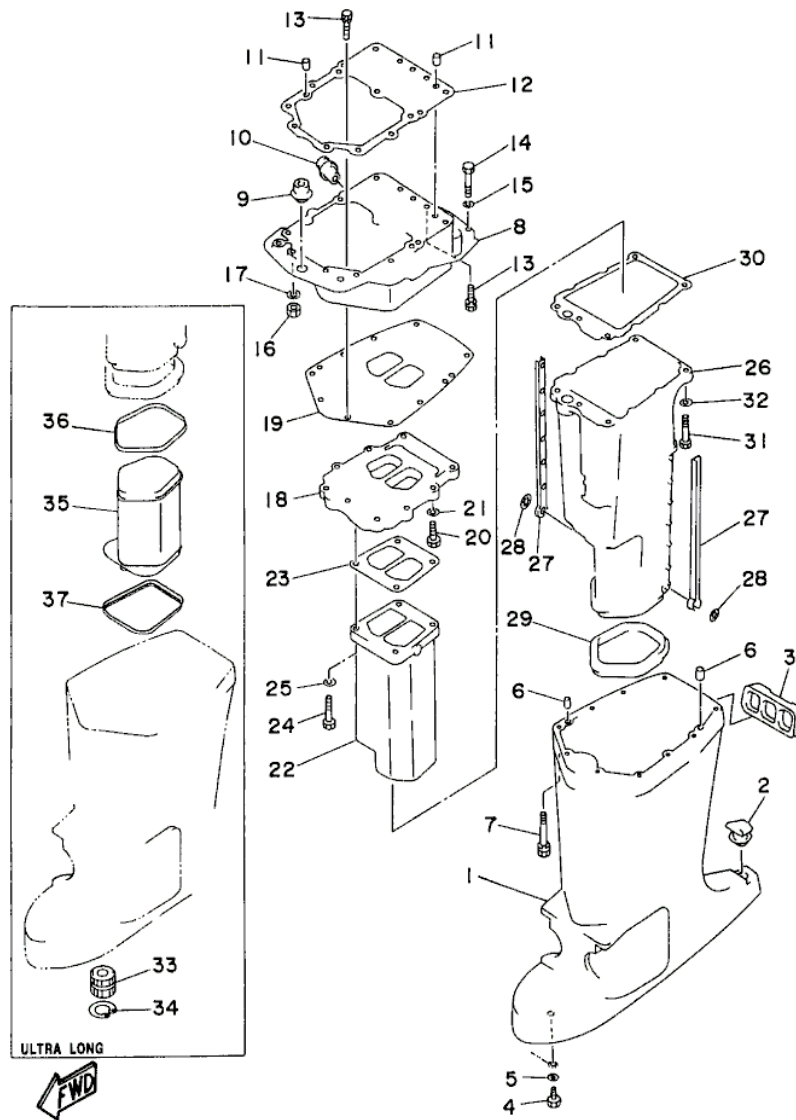
## Part Notes

C150TLRW 1998 / CONTROL

PART NUMBER		NOTE TEXT
6H1-41237-00-00		OEM: This part number is among the Top 100 Most Popular Marine Maintenance Parts as of August 2013.
6H1-41237-00-00		OEM: This part number is among the Top 100 Most Popular Marine Maintenance Parts as of August 2013.
92990-06600-00		OEM: This part number is among the Top 100 Most Popular Marine Maintenance Parts as of August 2013.
93700-06M03-00		OEM: This part number is among the Top 100 Most Popular Marine Maintenance Parts as of August 2013.

©2013 Yamaha Motor Corporation, U.S.A. All rights reserved.

C150TLRW 1998 / UPPER CASING



©2013 Yamaha Motor Corporation, U.S.A. All rights reserved.


## Part List

C150TLRW 1998 / UPPER CASING

REF - NO	PART NUMBER	PART NAME	QUANTITY	REMARKS
1	6E5-45111-01-8D	CASING, UPPER	1	UR LONG
1	6E5-45111-22-8D	CASING, UPPER	1	UR ULTRA LONG
2	6E5-45155-00-00	CAP	1	
3	6E5-42769-00-00	SEAL, RUBBER	1	
4	97095-06010-00	BOLT	1	
5	92990-06600-00	WASHER, PLATE	1	
6	93608-12M05-00	PIN, DOWEL	2	
7	90119-08M78-00	BOLT, WITH WASHER	6	
8	6G5-41137-02-94	GUIDE, EXHAUST	1	
9	6E5-42724-00-00	GROMMET	1	
10	6G5-12581-00-00	JOINT, HOSE 1	1	
11	93608-12M05-00	PIN, DOWEL	2	
12	6G5-45113-A1-00	.GASKET, UPPER CASING	1	
13	90119-08M79-00	BOLT, WITH WASHER	6	
14	97095-08045-00	.BOLT	2	
15	92990-08100-00	WASHER, SPRING	2	
16	95380-08700-00	NUT	2	
17	92995-08100-00	WASHER	2	
18	6G5-41131-01-5B	MANIFOLD, EXT. 1	1	
19	6G5-45114-A0-00	GASKET, UPPER CASING	1	
20	97095-08030-00	BOLT	4	
21	92990-08600-00	.WASHER, PLATE	4	
22	64D-41132-00-5B	MANIFOLD, EXHAUST	1	
23	6G5-41134-A0-00	.GASKET, EXHAUST MANIFOLD	1	
24	97095-08045-00	.BOLT	4	
25	92990-08600-00	.WASHER, PLATE	4	
26	6E5-14711-01-5B	MUFFLER 1	1	
27	6E5-14737-00-00	DAMPER, MUFFLER	2	
28	90183-05M02-00	NUT, SPRING	2	
29	6E5-45123-00-00	.GASKET, MUFFLER	1	
30	6E5-41135-A0-00	.GASKET, EXHAUST MANIFOLD	1	
31	97095-08045-00	.BOLT	5	
32	92990-08600-00	.WASHER, PLATE	5	
33	6E5-45318-00-00	BUSHING, DRIVE SHAFT	1	ULTRA LONG
34	93420-36M01-00	CIRCLIP	1	ULTRA LONG
35	64D-14721-20-5B	MUFFLER 2	1	ULTRA LONG
36	64D-45123-00-00	GASKET, MUFFLER	1	ULTRA LONG
37	64D-45375-00-00	DAMPER, SEAL	1	ULTRA LONG

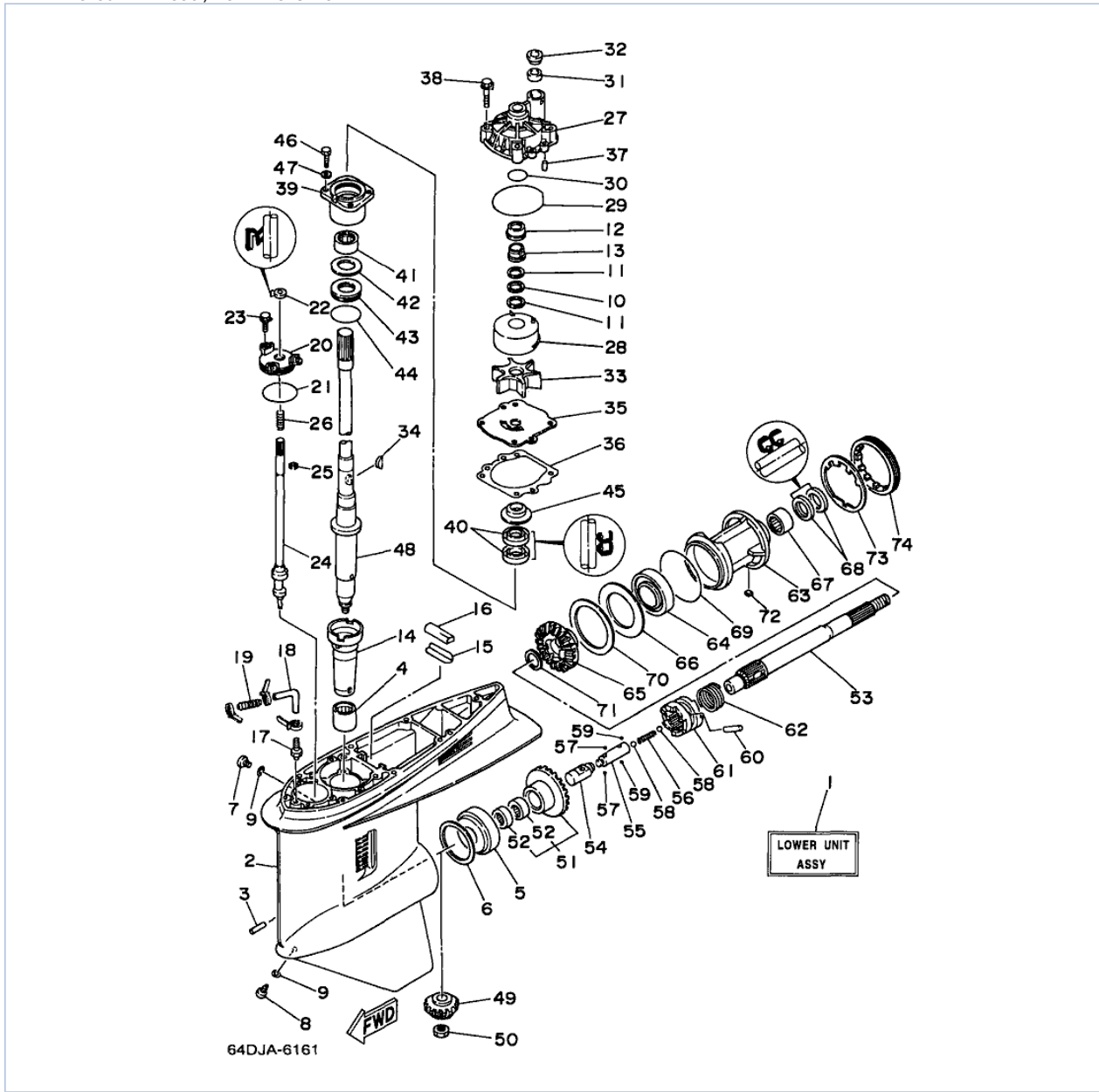
## Part Notes

C150TLRW 1998 / UPPER CASING

PART NUMBER	NOTE TEXT
92990-06600-00 	OEM: This part number is among the Top 100 Most Popular Marine Maintenance Parts as of August 2013.

©2013 Yamaha Motor Corporation, U.S.A. All rights reserved.

C150TLRW 1998 / LOWER CASING DRIVE 1



©2013 Yamaha Motor Corporation, U.S.A. All rights reserved.



## Part List







C150TLRW 1998 / LOWER CASING DRIVE 1





REF - NO	PART NUMBER	PART NAME	QUANTITY	REMARKS
1	6G5-45300-24-8D	LOWER UNIT ASSEMBLY	1	UR ULTRA (REF. NO. 2~74)
1	6G5-45300-14-8D	LOWER UNIT ASSEMBLY	1	UR LONG (REF. NO. 2~74)
2	6J9-45301-03-8D	CASING, LOWER	1	
3	91690-30016-00	PIN, SPRING	1	
4	93311-928U5-00	BEARING	1	
5	93332-000V3-00	BEARING	1	
6	6G5-45567-01-12	SHIM (T:0.12MM)	1	UR
6	6G5-45567-01-30	SHIM (T:0.30MM)	1	UR
6	6G5-45567-01-40	SHIM (T:0.40MM)	1	UR
6	6G5-45567-01-50	SHIM (T:0.50MM)	1	UR
6	6G5-45567-01-10	SHIM (T:0.10MM)	1	UR
6	6G5-45567-01-15	SHIM (T:0.15MM)	1	UR
6	6G5-45567-01-18	SHIM (T:0.18MM)	1	UR
7	90340-08M04-00	PLUG, STRAIGHT SCREW	1	
8	688-45341-00-00	PLUG, DRAIN	1	
9	90430-08020-00	.GASKET	2	
10	90206-22M19-00	WASHER, WAVE	1	
11	90201-22M01-00	WASHER, PLATE	2	
12	61A-45527-00-00	COLLAR, DRIVE SHAFT	1	
13	61A-45538-00-00	SPACER 1	1	
14	6G5-45536-01-00	SLEEVE, DRIVE SHAFT	1	
15	663-45376-00-94	GUIDE, SEAL DAMPER	1	UR LONG
15	64D-45376-00-94	GUIDE, SEAL DAMPER	1	UR ULTRA LONG
16	688-45375-00-00	DAMPER, SEAL	1	
17	6E5-45378-00-00	NIPPLE, HOSE	1	
18	90445-07ME9-00	HOSE (L120)	1	UR ULTRA LONG
18	90445-07ME8-00	HOSE (L80)	1	UR LONG
19	6E5-83558-10-00	END, NIPPLE	1	
20	6E5-45321-00-00	PLATE	1	
21	93210-58677-00	O-RING	1	
22	93106-09014-00	.OIL SEAL	1	
23	90119-06M10-00	BOLT, WITH WASHER	3	
24	6G5-44150-01-00	SHIFT CAM ASSY	1	
25	99001-08600-00	CIRCLIP	1	
26	90501-11M10-00	SPRING, COMPRESSION	1	
27	61A-44311-01-00	HOUSING, WATER PUMP	1	
28	61A-44322-01-00	INSERT, CARTRIDGE	1	
29	93210-86M38-00	.O-RING	1	
30	93210-37M67-00	O-RING	1	
31	6E5-44365-00-00	DAMPER, WATER SEAL 1	1	
32	6E5-44312-00-00	COVER, WATER PUMP HOUSING	1	
33	6E5-44352-00-00	IMPELLER	1	
34	90280-04M05-00	.KEY, WOODRUFF	1	
35	6G5-44323-00-00	.OUTER PLATE, CARTRIDGE	1	
36	6E5-44315-A0-00	.GASKET, WATER PUMP	1	
37	93606-12019-00	.PIN, DOWEL	2	
38	90119-08M14-00	.BOLT, WITH WASHER	4	
39	6E5-45331-00-94	HOUSING, BEARING	1	
40	93101-28M16-00	.OIL SEAL	2	
41	93315-430V5-00	.BEARING	1	
42	6E5-45587-01-12	SHIM (T:0.12MM)	1	UR
42	6E5-45587-01-30	SHIM (T:0.30MM)	1	UR
42	6E5-45587-01-50	SHIM (T:0.50MM)	1	UR

42	6E5-45587-01-10	SHIM (T:0.10MM)	1	UR
42	6E5-45587-01-15	SHIM (T:0.15MM)	1	UR
42	6E5-45587-01-18	SHIM (T:0.18MM)	1	UR
42	6E5-45587-01-40	SHIM (T:0.40MM)	1	UR
43	93341-930V2-00	BEARING	1	
44	93210-54534-00	O-RING	1	
45	6E5-45344-00-00	COVER, OIL SEAL	1	
46	97095-08025-00	BOLT	4	
47	92990-08600-00	.WASHER, PLATE	4	
48	6G5-45501-01-00	DRIVE SHAFT COMP.	1	UR LONG
48	6G5-45501-21-00	DRIVE SHAFT COMP.	1	UR ULTRA LONG
49	6G5-45551-01-00	PINION (14T)	1	
50	90170-16M01-00	NUT	1	
51	6G5-45560-01-00	GEAR 1 (26T)	1	
52	93315-425V3-00	.BEARING	2	
53	6J9-45611-01-00	SHAFT, PROPELLER	1	
54	6E5-45641-01-00	SHIFTER	1	
55	6E5-45634-01-00	SLIDE, SHIFT	1	
56	90501-16M37-00	SPRING, COMPRESSION	1	
57	93507-32031-00	BALL 7-32	2	
58	93511-32027-00	BALL	2	
59	93503-16003-00	BALL	2	
60	90250-08M07-00	PIN, STRAIGHT	1	
61	6G5-45631-00-00	CLUTCH, DOG	1	
62	6E5-45633-01-00	RING, CROSS PIN	1	
63	6J9-45332-00-94	HOUSING, BEARING	1	
64	93306-209U0-00	BEARING	1	
65	6G5-45571-02-00	GEAR 2 (26T)	1	
66	6G5-45576-00-00	WASHER, THRUST	1	
67	93315-430U8-00	BEARING	1	
68	93101-30M17-00	.OIL SEAL	2	
69	93210-97M55-00	.O-RING	1	
70	6G5-45577-02-12	SHIM (T:0.12MM)	1	UR
70	6G5-45577-02-30	SHIM (T:0.30MM)	1	UR
70	6G5-45577-02-50	SHIM (T:0.50MM)	1	UR
70	6G5-45577-02-10	SHIM (T:0.10MM)	1	UR
70	6G5-45577-02-15	SHIM (T:0.15MM)	1	UR
70	6G5-45577-02-18	SHIM (T:0.18MM)	1	UR
70	6G5-45577-02-40	SHIM (T:0.40MM)	1	UR
71	90201-30M92-00	WASHER, PLATE	1	
72	90282-04M00-00	KEY, STRAIGHT	1	
73	6G5-45383-01-00	WASHER, CLAW	1	
74	6G5-45384-00-00	NUT	1	

## Part Notes

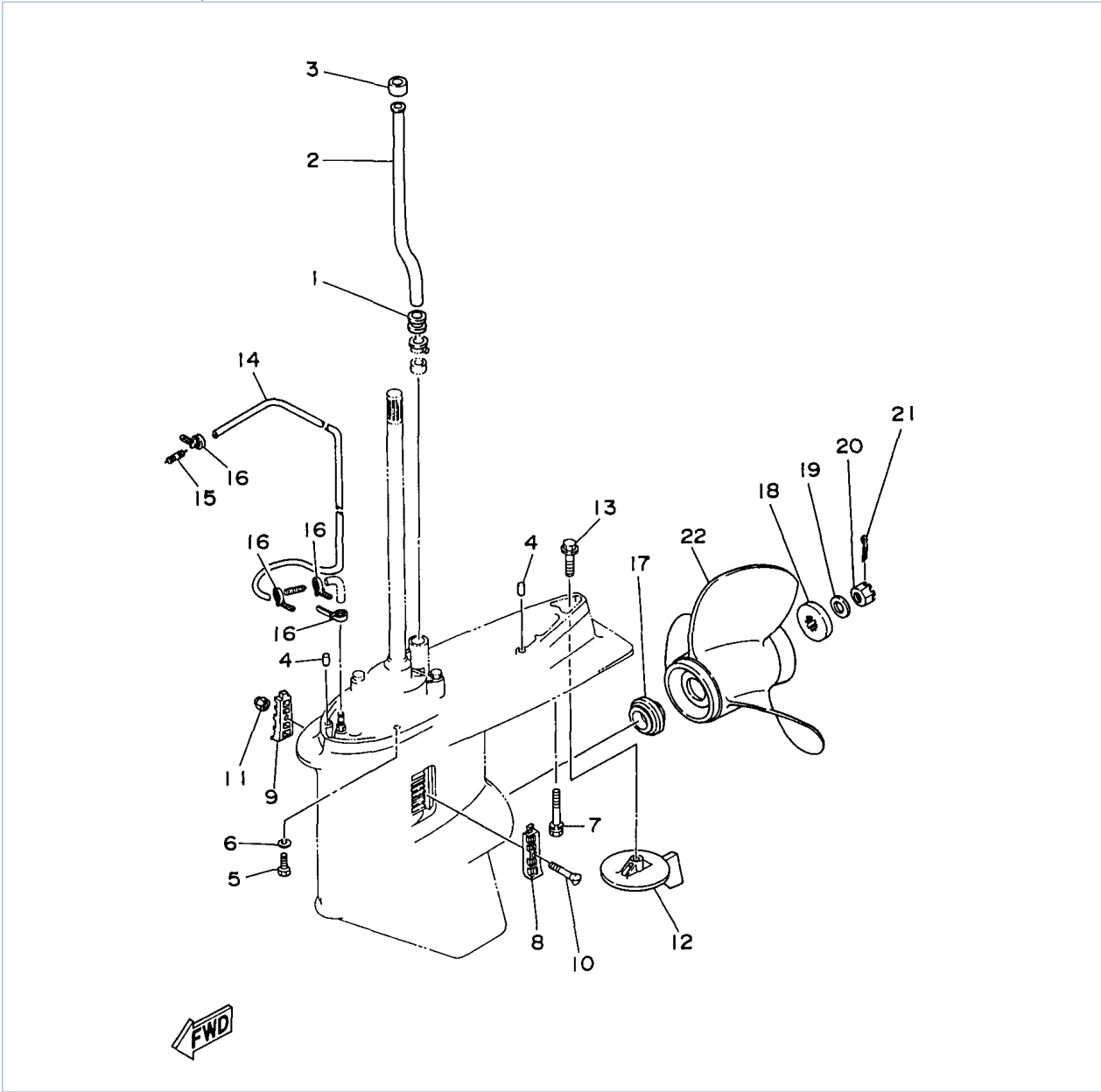
C150TLRW 1998 / LOWER CASING DRIVE 1

PART NUMBER		NOTE TEXT
90430-08020-00		OEM: This part number is among the Top 100 Most Popular Marine Maintenance Parts as of August 2013.
90201-22M01-00		OEM: This part number is among the Top 100 Most Popular Marine Maintenance Parts as of August 2013.
61A-45527-00-00		OEM: This part number is among the Top 100 Most Popular Marine Maintenance Parts as of August 2013.
61A-45538-00-00		OEM: This part number is among the Top 100 Most Popular Marine Maintenance Parts as of August 2013.
93106-09014-00		OEM: This part number is among the Top 100 Most Popular Marine Maintenance Parts as of August 2013.
61A-44311-01-00		OEM: This part number is among the Top 100 Most Popular Marine Maintenance Parts as of August 2013.
93210-86M38-00		OEM: This part number is among the Top 100 Most Popular Marine Maintenance Parts as of August 2013.

		
93101-28M16-00		OEM: This part number is among the Top 100 Most Popular Marine Maintenance Parts as of August 2013.
93210-54534-00		OEM: This part number is among the Top 100 Most Popular Marine Maintenance Parts as of August 2013.
93101-30M17-00		OEM: This part number is among the Top 100 Most Popular Marine Maintenance Parts as of August 2013.

©2013 Yamaha Motor Corporation, U.S.A. All rights reserved.

C150TLRW 1998 / LOWER CASING DRIVE 2



©2013 Yamaha Motor Corporation, U.S.A. All rights reserved.



## Part List

C150TLRW 1998 / LOWER CASING DRIVE 2

REF - NO	PART NUMBER	PART NAME	QUANTITY	REMARKS
1	6E5-44366-00-00	DAMPER, WATER SEAL 2	1	
2	6E5-44361-20-00	TUBE, WATER 1	1	UR ULTRA LONG
2	6E5-44361-00-00	TUBE, WATER 1	1	UR LONG
3	6E5-44365-00-00	DAMPER, WATER SEAL 1	1	
4	93608-12M05-00	PIN, DOWEL	2	
5	97095-10045-00	BOLT	6	
6	92990-10100-00	WASHER, SPRING	6	
7	90119-10M89-00	BOLT, WITH WASHER	1	
8	6J9-45214-00-00	COVER, WATER INLET 1	1	
9	6J9-45215-00-00	COVER, WATER INLET 2	1	
10	90142-05M04-00	SCREW	1	
11	90185-05904-00	NUT, SELF-LOCKING	1	
12	6J9-45371-01-00	TAB-TRIM	1	
13	90105-10M67-00	BOLT, FLANGE	1	
14	90445-07MF0-00	HOSE (L1030)	1	
15	6E5-83558-00-00	END, NIPPLE	1	
16	90465-11M10-00	CLAMP	4	
17	6E5-45987-01-00	SPACER 1	1	
18	688-45997-01-00	SPACER 2	1	
19	92990-18200-00	WASHER	1	
20	90171-18M04-00	NUT, CASTLE	1	
21	91490-40030-00	PIN, COTTER	1	
22	6G5-45952-00-98	PROPELLER (3X14-5/8"X16"-M)	1	UR
22	6G5-45947-01-98	PROPELLER (3X14-1/2"X17"-M)	1	UR
22	6G5-45970-02-98	PROPELLER (3X15-1/4"X15"-M)	1	UR
22	6G5-45932-00-98	PROPELLER (3X15-3/4"X13"-M)	1	UR
22	6G5-45974-03-98	PROPELLER (3X13-3/4"X19"-M2)	1	UR
22	6G5-45945-01-98	PROPELLER (3X14"X19"-M)	1	UR
22	6G5-45941-00-98	PROPELLER (3X15-1/4"X15"-M)	1	UR
22	6G5-45930-00-98	PROPELLER (3X13-3/8"X25"-M)	1	UR
22	6G5-45978-02-98	PROPELLER ASSY (3 X 13-3/4" X 17"-M)	1	UR
22	6G5-45949-00-98	PROPELLER (3X13-1/2"X23"-M)	1	UR
22	6G5-45972-02-98	PROPELLER (3X13-3/4"X21"-M)	1	UR
22	6G5-45976-01-98	PROPELLER (3X13-3/8"X23"-M)	1	UR

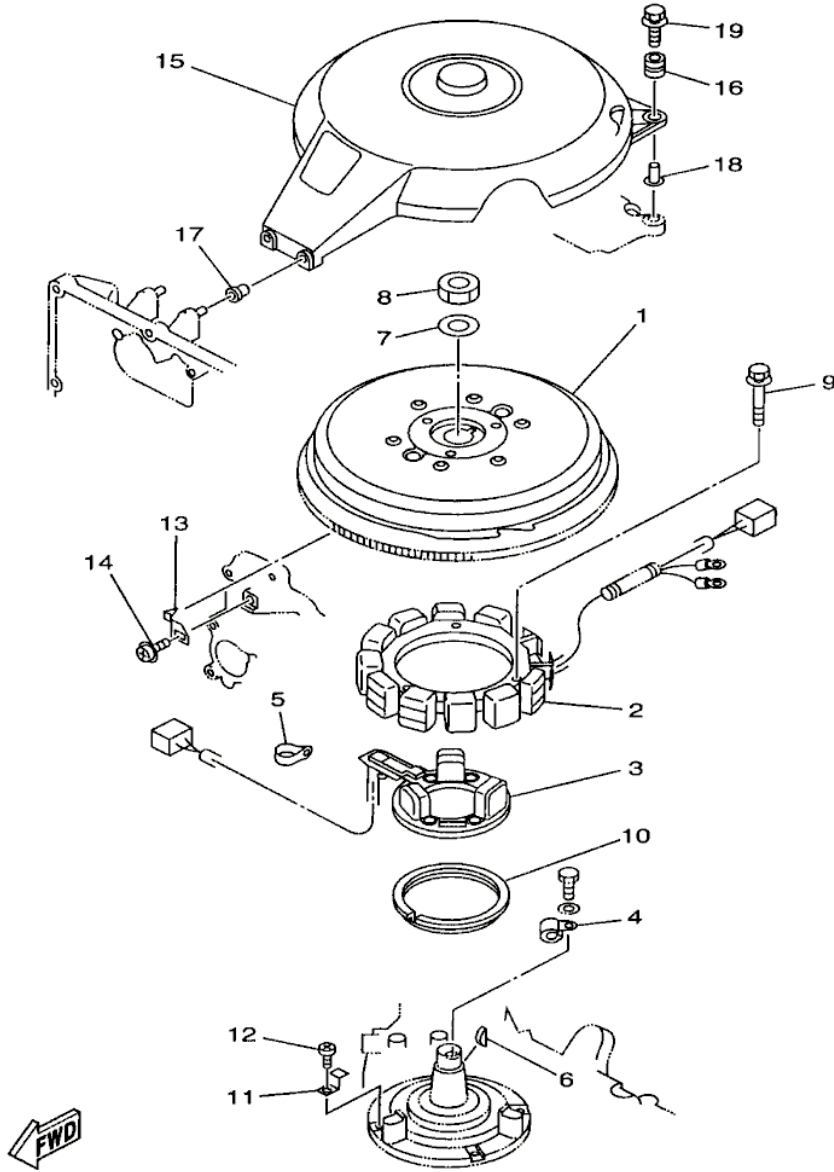
## Part Notes

C150TLRW 1998 / LOWER CASING DRIVE 2

PART NUMBER	NOTE TEXT
6J9-45371-01-00 	OEM: This part number is among the Top 100 Most Popular Marine Maintenance Parts as of August 2013.
91490-40030-00 	OEM: This part number is among the Top 100 Most Popular Marine Maintenance Parts as of August 2013.

©2013 Yamaha Motor Corporation, U.S.A. All rights reserved.

C150TLRW 1998 / GENERATOR



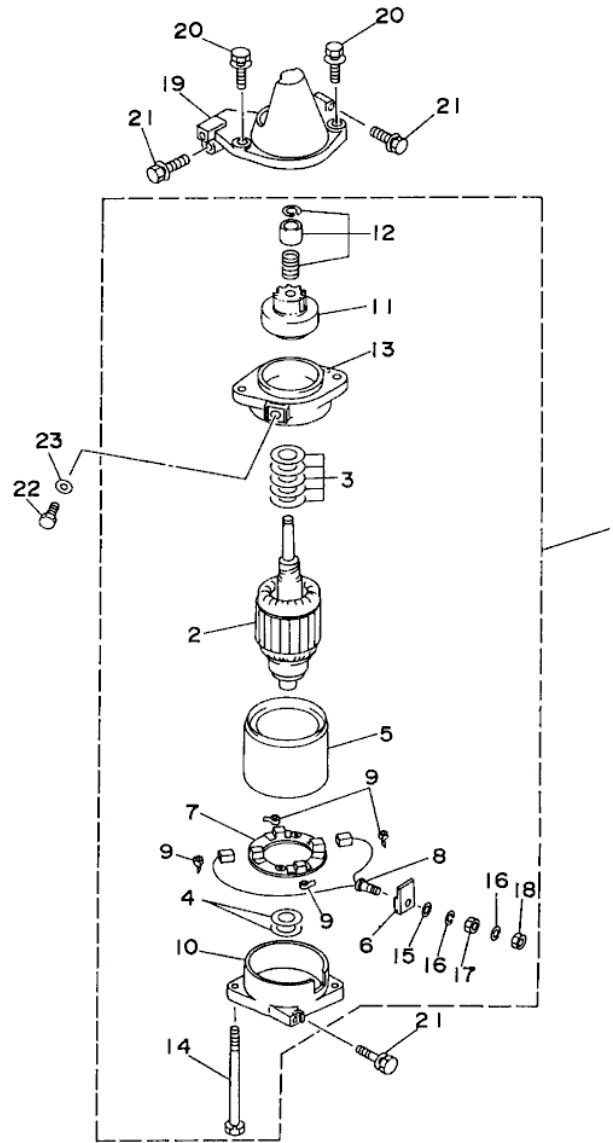
©2013 Yamaha Motor Corporation, U.S.A. All rights reserved.

## Part List

C150TLRW 1998 / GENERATOR

REF - NO	PART NUMBER	PART NAME	QUANTITY	REMARKS
1	6G6-85550-02-00	ROTOR ASSEMBLY	1	
2	6G6-85510-00-00	STATOR ASSEMBLY	1	
3	6G6-85580-00-00	COIL, PULSER	1	
4	90465-08028-00	CLAMP	1	
5	90464-12M00-00	CLAMP	1	
6	90280-05049-00	KEY, WOODRUFF	1	
7	90201-21M18-00	WASHER, PLATE	1	
8	90170-20137-00	NUT	1	
9	97513-06560-00	BOLT, WITH WASHER	3	
10	688-41611-00-00	RETAINER, MAGNETO BASE	1	
11	688-41612-00-00	RETAINER, MAGNETO BASE	4	
12	97880-06018-00	SCREW, PAN HEAD	4	
13	6E5-81332-00-00	PLATE, TIMING	1	
14	97985-06210-00	SCREW, WITH WASHER	1	
15	6G5-81337-00-00	COVER, FLYWHEEL	1	
16	6G5-82317-00-00	DAMPER, IGNITION COIL	2	
17	6A0-82317-00-00	DAMPER, IGNITION COIL	2	
18	624-42542-00-00	PIPE	2	
19	90119-06M59-00	BOLT, WITH WASHER	2	

C150TLRW 1998 / STARTING MOTOR



©2013 Yamaha Motor Corporation, U.S.A. All rights reserved.

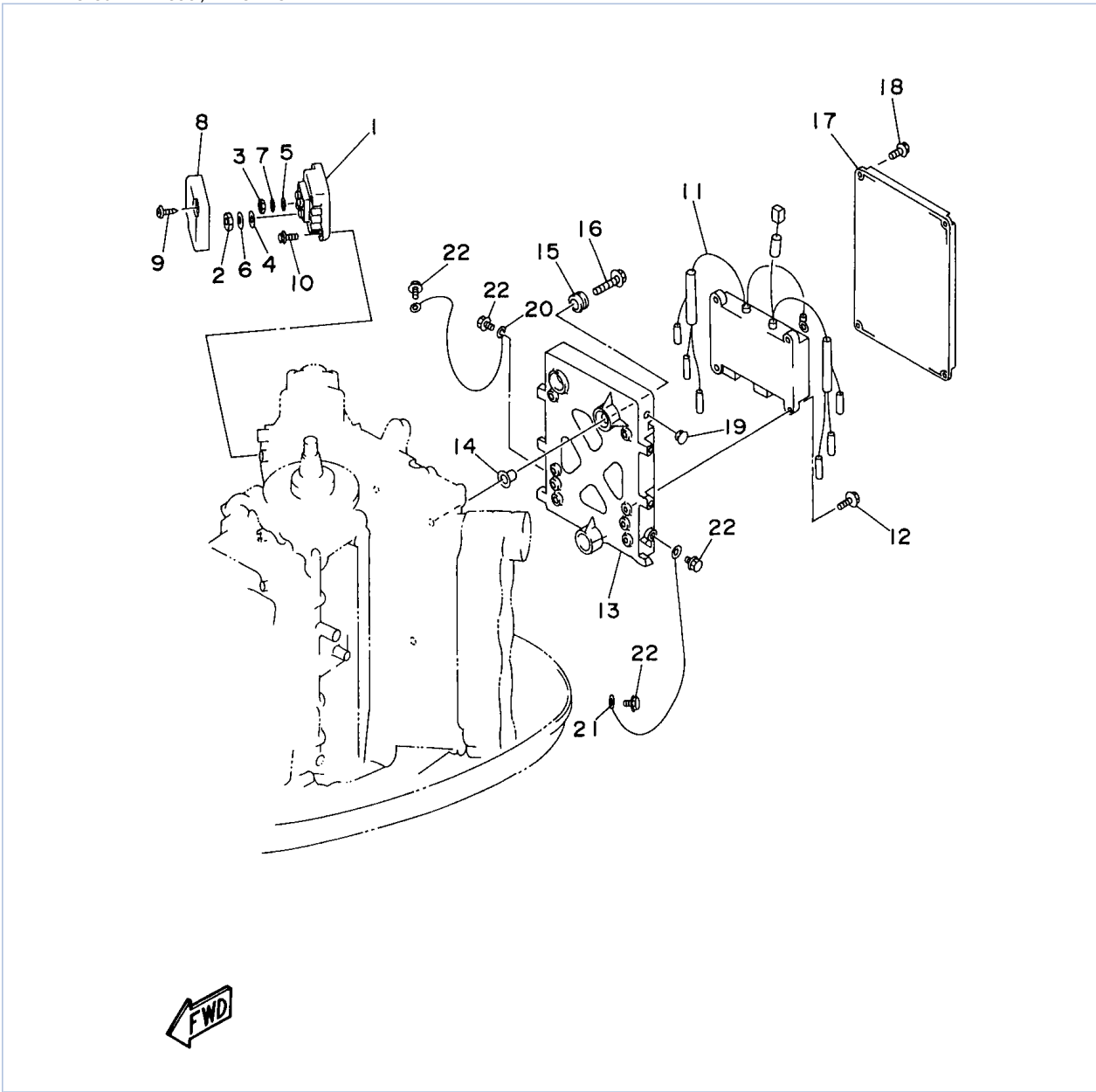


## Part List

C150TLRW 1998 / STARTING MOTOR

REF - NO	PART NUMBER	PART NAME	QUANTITY	REMARKS
1	6N7-81800-00-00	STARTING MOTOR ASSEMBLY	1	
2	6N7-81850-00-00	.ARMATURE ASSEMBLY	1	
3	61A-81809-00-00	.WASHER KIT	1	
4	61A-81824-00-00	.WASHER 2	2	
5	6N7-81810-00-00	.STATOR ASSY	1	
6	6K7-8182G-10-00	.BUSH, TERMINAL	1	
7	6N7-81840-00-00	.BRUSH HOLDER ASSY	1	
8	6N7-81801-00-00	.BRUSH SET	1	
9	6N7-81813-00-00	.SPRING, BRUSH	4	
10	6N7-81820-00-00	.REAR BRACKET ASSY	1	
11	61H-81807-00-00	.GEAR ASSEMBLY, STARTING MOTOR	1	
12	61H-81857-00-00	.RETAINER	1	
13	6N7-81830-00-00	.FRONT BRACKET ASSY	1	
14	6K7-81826-10-00	.BOLT	2	
15	6E5-8182E-10-00	.WASHER	1	
16	6E5-8182F-10-00	.WASHER	2	
17	6E5-8182A-10-00	.NUT	1	
18	6E5-8182K-10-00	.NUT	1	
19	6E5-81822-02-98	BRACKET, STARTING MOTOR	1	
20	90119-08M76-00	BOLT, WITH WASHER	2	
21	90119-08M77-00	BOLT, WITH WASHER	3	
22	97095-08016-00	BOLT	1	
23	92990-08600-00	.WASHER, PLATE	1	

C150TLRW 1998 / ELECTRICAL 1



©2013 Yamaha Motor Corporation, U.S.A. All rights reserved.


## Part List

C150TLRW 1998 / ELECTRICAL 1

REF - NO	PART NUMBER	PART NAME	QUANTITY	REMARKS
1	6G5-81960-A0-00	RECTIFIER & REGULATOR ASSY	1	
2	95380-05600-00	NUT	3	
3	95380-06600-00	NUT, HEXAGON	1	
4	92990-05200-00	WASHER, PLAIN	3	
5	92990-06200-00	..WASHER, PLAIN	1	
6	92990-05100-00	.WASHER, SPRING	3	
7	92995-06100-00	WASHER, SPRING	1	
8	688-81961-01-00	COVER	1	
9	97985-05225-00	SCREW, WITH WASHER	2	
10	97513-06520-00	BOLT, WITH WASHER	2	
11	6G6-85540-00-00	C.D.I. UNIT ASSEMBLY	1	
12	97980-06220-00	SCREW, WITH WASHER	4	
13	6R3-85542-03-4D	BRACKET	1	
14	90387-06M03-00	COLLAR	3	
15	90480-09M12-00	GROMMET	3	
16	90119-06M06-00	BOLT, WITH WASHER	3	
17	6R3-85537-00-00	COVER	1	
18	90159-06M11-00	SCREW, WITH WASHER	4	
19	90480-12M25-00	GROMMET	1	
20	662-82519-00-00	WIRE, EARTH LEAD	1	
21	6R3-82519-00-00	WIRE, EARTH LEAD	1	
22	97595-06512-00	BOLT, WITH WASHER	4	

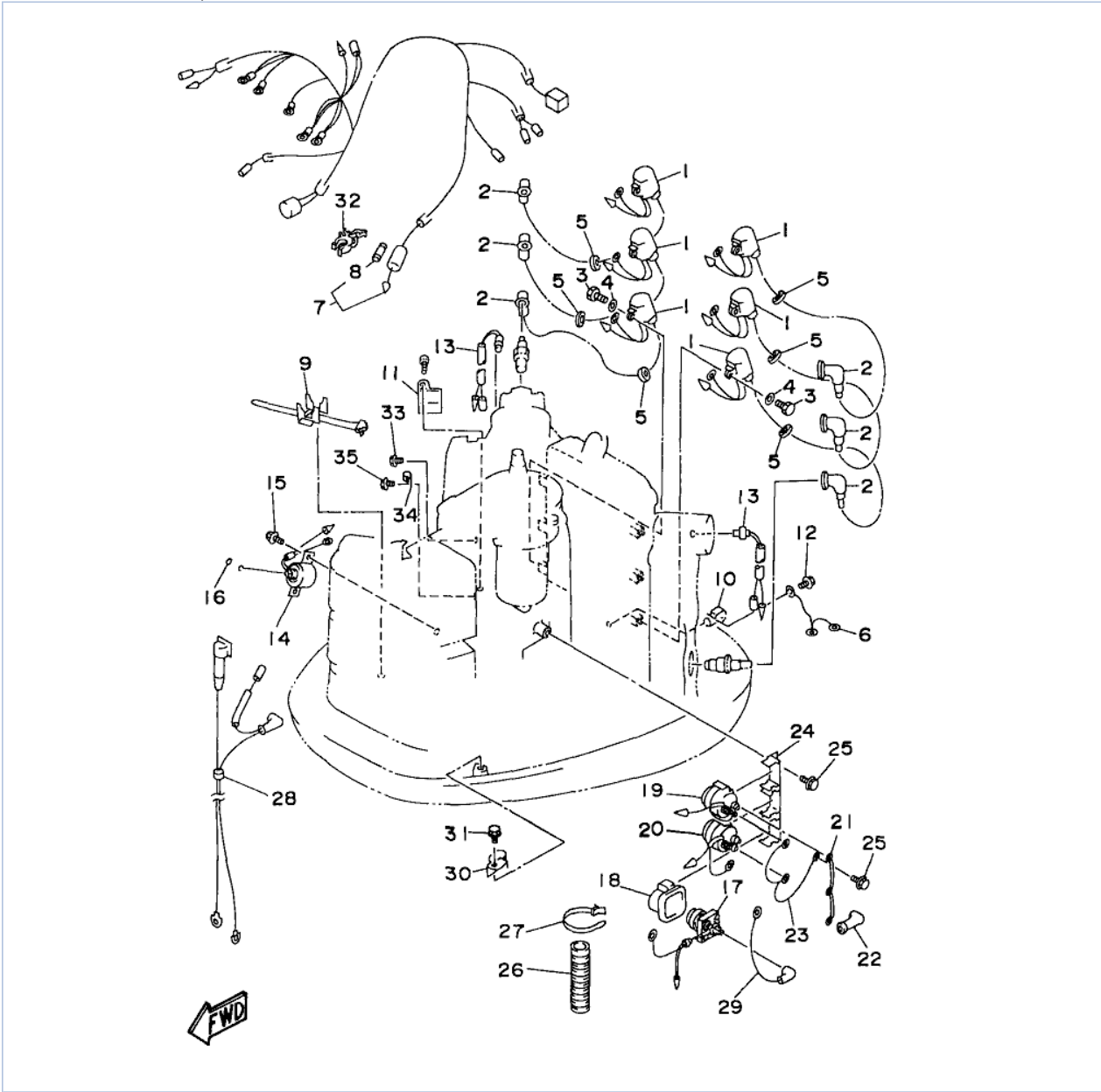
## Part Notes

C150TLRW 1998 / ELECTRICAL 1

PART NUMBER	NOTE TEXT
92995-06100-00 	OEM: This part number is among the Top 100 Most Popular Marine Maintenance Parts as of August 2013.

©2013 Yamaha Motor Corporation, U.S.A. All rights reserved.

C150TLRW 1998 / ELECTRICAL 2



©2013 Yamaha Motor Corporation, U.S.A. All rights reserved.


## Part List

C150TLRW 1998 / ELECTRICAL 2

REF - NO	PART NUMBER	PART NAME	QUANTITY	REMARKS
1	6R3-85570-01-00	IGNITION COIL ASSY	6	
2	663-82370-01-00	PLUG CAP ASSY	6	
3	97095-06020-00	BOLT	6	
4	92990-06600-00	WASHER, PLATE	6	
5	90480-25161-00	GROMMET	6	
6	6E5-82531-00-00	WIRE, LEAD	1	
7	6G6-82590-00-00	WIRE HARNESS ASSEMBLY	1	
8	688-82151-00-00	.FUSE	1	
9	688-82594-00-00	CLAMP	1	
10	90465-08M33-00	CLAMP	1	
11	90465-10M14-00	CLAMP	1	
12	97595-06512-00	BOLT, WITH WASHER	1	
13	688-82560-10-00	THERMO SWITCH ASSY	2	
14	64D-86110-00-00	SOLENOID	1	
15	97595-06516-00	BOLT, WITH WASHER	2	
16	93210-03261-00	O-RING	1	
17	61A-81941-00-00	STARTER RELAY ASSY	1	
18	689-81952-10-00	HOLDER, RELAY	1	
19	6E5-81950-00-00	RELAY ASSY	1	
20	6E5-8195A-00-00	RELAY ASSY	1	
21	6G5-87149-10-00	CONNECTOR	1	
22	6G5-82119-00-00	COVER, LEAD WIRE	2	
23	6E5-82116-00-00	WIRE, MINUS LEAD	1	
24	6G5-81948-11-00	BRACKET	1	
25	97595-06516-00	BOLT, WITH WASHER	2	
26	6E9-83557-70-00	TUBE	1	
27	90465-13M36-00	CLAMP	1	
28	6G5-82105-02-00	WIRE HARNESS	1	
29	6E5-82117-00-00	WIRE, LEAD	1	
30	90465-12M25-00	CLAMP	1	
31	97595-06512-00	BOLT, WITH WASHER	1	
32	6G5-82152-00-00	HOLDER, FUSE	1	
33	97513-06512-00	BOLT, WITH WASHER	1	
34	90465-08028-00	CLAMP	1	
35	97513-06512-00	BOLT, WITH WASHER	1	

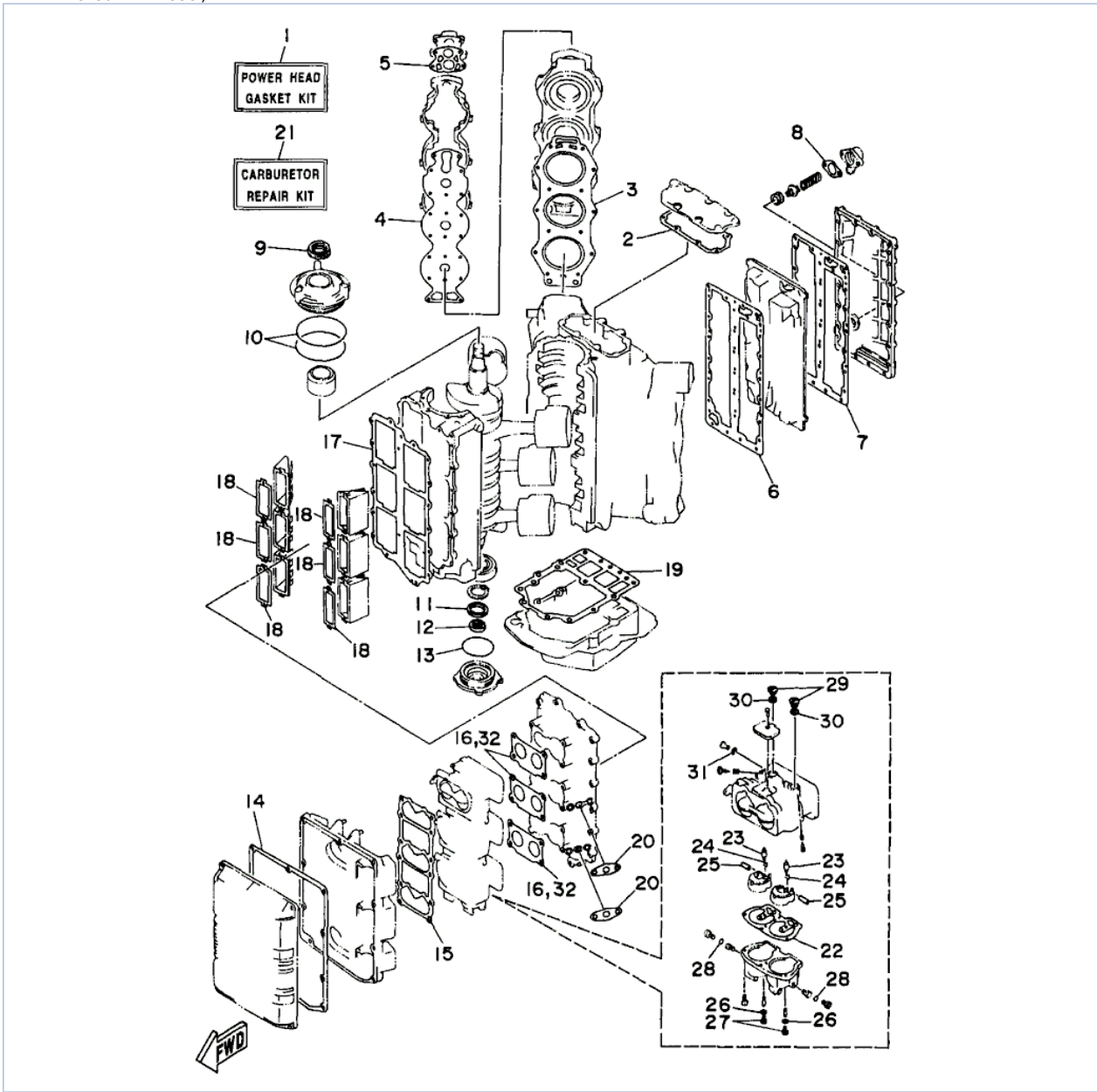
## Part Notes

C150TLRW 1998 / ELECTRICAL 2

PART NUMBER	NOTE TEXT
92990-06600-00 	OEM: This part number is among the Top 100 Most Popular Marine Maintenance Parts as of August 2013.

©2013 Yamaha Motor Corporation, U.S.A. All rights reserved.

C150TLRW 1998 / REPAIR KIT 1



©2013 Yamaha Motor Corporation, U.S.A. All rights reserved.



## Part List

C150TLRW 1998 / REPAIR KIT 1

REF - NO	PART NUMBER	PART NAME	QUANTITY	REMARKS
1	6G5-W0001-A3-00	POWER HEAD GASKET KIT	1	
2	6E5-11381-A2-00	.GASKET 1	1	
3	6G5-11181-A1-00	.GASKET, CYLINDER HEAD 1	2	
4	6G5-11193-A0-00	.GASKET, HEAD COVER 1	2	
5	688-12414-A1-00	.GASKET, COVER	2	
6	6G5-41112-A1-00	.GASKET, EXHAUST INNER COVER	1	
7	6G5-41112-A1-00	.GASKET, EXHAUST INNER COVER	1	
8	6G5-11382-A1-00	.GASKET 2	1	
9	93102-40M38-00	.OIL SEAL	1	
10	93211-04384-00	.O-RING	2	
11	93102-35M13-00	.OIL SEAL	1	
12	93101-22M15-00	.OIL SEAL	1	
13	93210-74M35-00	.O-RING	1	
14	6G5-14416-A1-00	.GASKET, AIR CLEANER	1	
15	6G5-14483-A1-00	.GASKET	1	
16	6E5-14198-A2-00	.GASKET	3	
17	6G5-13645-A1-00	.GASKET, MANIFOLD 1	1	
18	6E5-13621-A1-00	.GASKET, VALVE SEAT	6	
19	6G5-45113-A1-00	.GASKET, UPPER CASING	1	
20	650-24431-A0-00	.GASKET, FUEL PUMP 1	2	
21	64D-W0093-00-00	CARBURETOR REPAIR KIT	1	
22	64D-14384-00-00	.GASKET, FLOAT CHAMBER	1	
23	6E5-14546-00-00	.VALVE, NEEDLE	2	
24	6E5-14159-00-00	.CLIP	2	
25	6E5-14386-02-00	.PIN, FLOAT	2	
26	61U-14959-00-00	.GASKET	2	
27	64D-14394-00-00	.VALVE, DRAIN	2	
28	6E5-14398-01-00	.GASKET	2	
29	6E5-14328-01-00	.PLUG	2	
30	6E5-14979-00-00	.GASKET	2	
31	6J8-14995-00-00	.GASKET	1	
32	6E5-14198-A2-00	.GASKET	1	

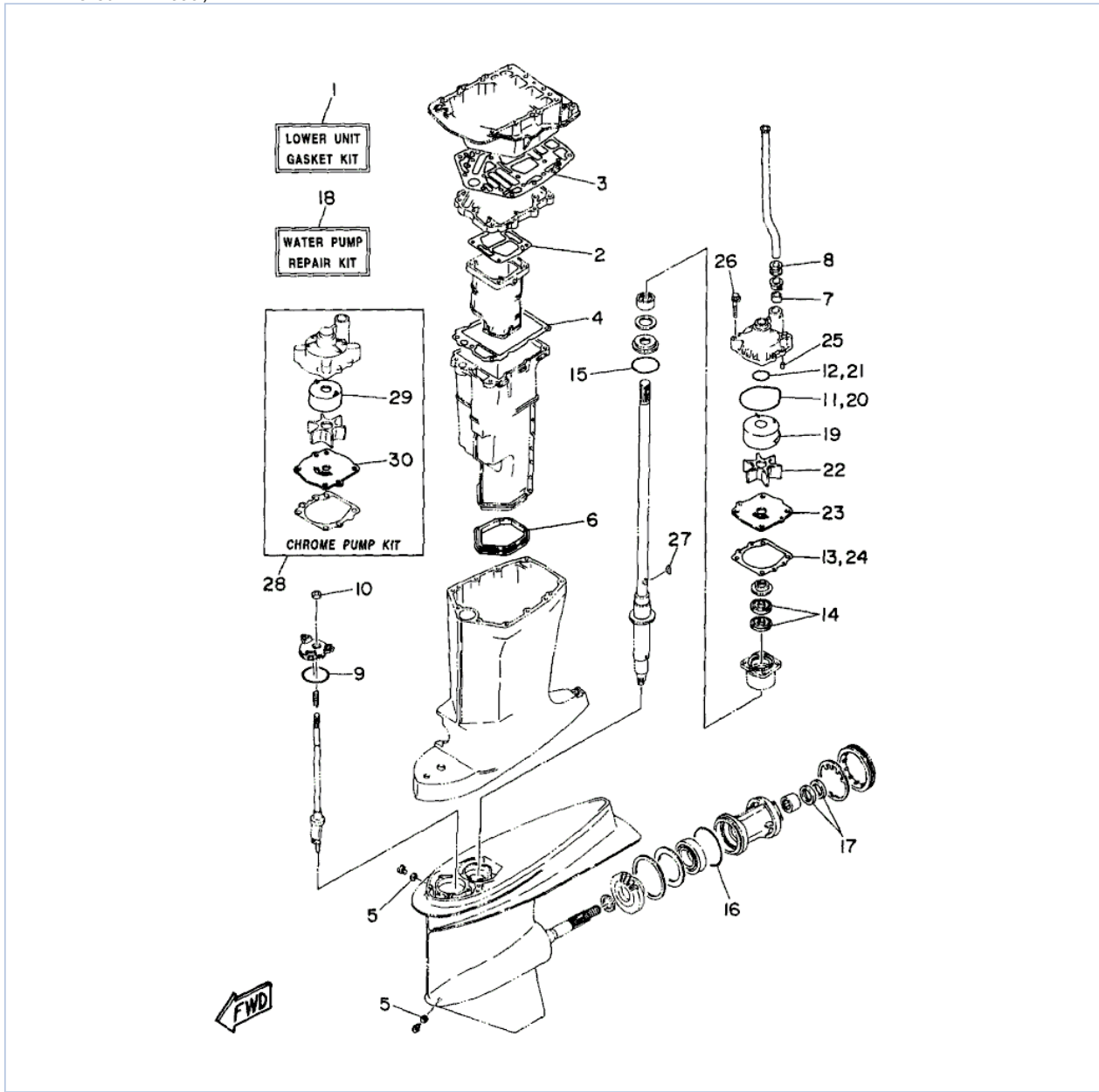
## Part Notes

C150TLRW 1998 / REPAIR KIT 1

PART NUMBER		NOTE TEXT
688-12414-A1-00		OEM: This part number is among the Top 100 Most Popular Marine Maintenance Parts as of August 2013.
650-24431-A0-00		OEM: This part number is among the Top 100 Most Popular Marine Maintenance Parts as of August 2013.

©2013 Yamaha Motor Corporation, U.S.A. All rights reserved.

C150TLRW 1998 / REPAIR KIT 2



©2013 Yamaha Motor Corporation, U.S.A. All rights reserved.










## Part List

C150TLRW 1998 / REPAIR KIT 2

REF - NO	PART NUMBER	PART NAME	QUANTITY	REMARKS
1	6G5-W0001-C1-00	LOWER UNIT GASKET KIT	1	
2	6G5-41134-A0-00	.GASKET, EXHAUST MANIFOLD	1	
3	6G5-45114-A0-00	.GASKET, UPPER CASING	1	
4	6E5-41135-A0-00	.GASKET, EXHAUST MANIFOLD	1	
5	90430-08020-00	.GASKET	2	
6	6E5-45123-00-00	.GASKET, MUFFLER	1	
7	6E5-44365-00-00	.DAMPER, WATER SEAL 1	1	
8	6E5-44366-00-00	.DAMPER, WATER SEAL 2	1	
9	93210-58677-00	.O-RING	1	
10	93106-09014-00	.OIL SEAL	1	
11	93210-86M38-00	.O-RING	1	
12	93210-37M67-00	.O-RING	1	
13	6E5-44315-A0-00	.GASKET, WATER PUMP	1	
14	93101-28M16-00	.OIL SEAL	2	
15	93210-54534-00	.O-RING	1	
16	93210-97M55-00	.O-RING	1	
17	93101-30M17-00	.OIL SEAL	2	
18	61A-W0078-A2-00	WATER PUMP REPAIR KIT	1	
19	61A-44322-01-00	.INSERT, CARTRIDGE	1	
20	93210-86M38-00	.O-RING	1	
21	93210-37M67-00	.O-RING	1	
22	6E5-44352-00-00	.IMPELLER	1	
23	6G5-44323-00-00	.OUTER PLATE, CARTRIDGE	1	
24	6E5-44315-A0-00	.GASKET, WATER PUMP	1	
25	93606-12019-00	.PIN, DOWEL	2	
26	90119-08M14-00	.BOLT, WITH WASHER	4	
27	90280-04M05-00	.KEY, WOODRUFF	1	
28	61A-W0078-1A-00	CHROME PUMP KIT	1	
29	6R3-44322-41-00	.INSERT, CARTRIDGE	1	
30	6G5-44323-40-00	.OUTER PLATE, CARTRIDGE	1	

## Part Notes

C150TLRW 1998 / REPAIR KIT 2

PART NUMBER		NOTE TEXT
90430-08020-00		OEM: This part number is among the Top 100 Most Popular Marine Maintenance Parts as of August 2013.
93106-09014-00		OEM: This part number is among the Top 100 Most Popular Marine Maintenance Parts as of August 2013.
93210-86M38-00		OEM: This part number is among the Top 100 Most Popular Marine Maintenance Parts as of August 2013.
93101-28M16-00		OEM: This part number is among the Top 100 Most Popular Marine Maintenance Parts as of August 2013.
93210-54534-00		OEM: This part number is among the Top 100 Most Popular Marine Maintenance Parts as of August 2013.
93101-30M17-00		OEM: This part number is among the Top 100 Most Popular Marine Maintenance Parts as of August 2013.
93210-86M38-00		OEM: This part number is among the Top 100 Most Popular Marine Maintenance Parts as of August 2013.

©2013 Yamaha Motor Corporation, U.S.A. All rights reserved.

©2013 Yamaha Motor Corporation, U.S.A. All rights reserved.