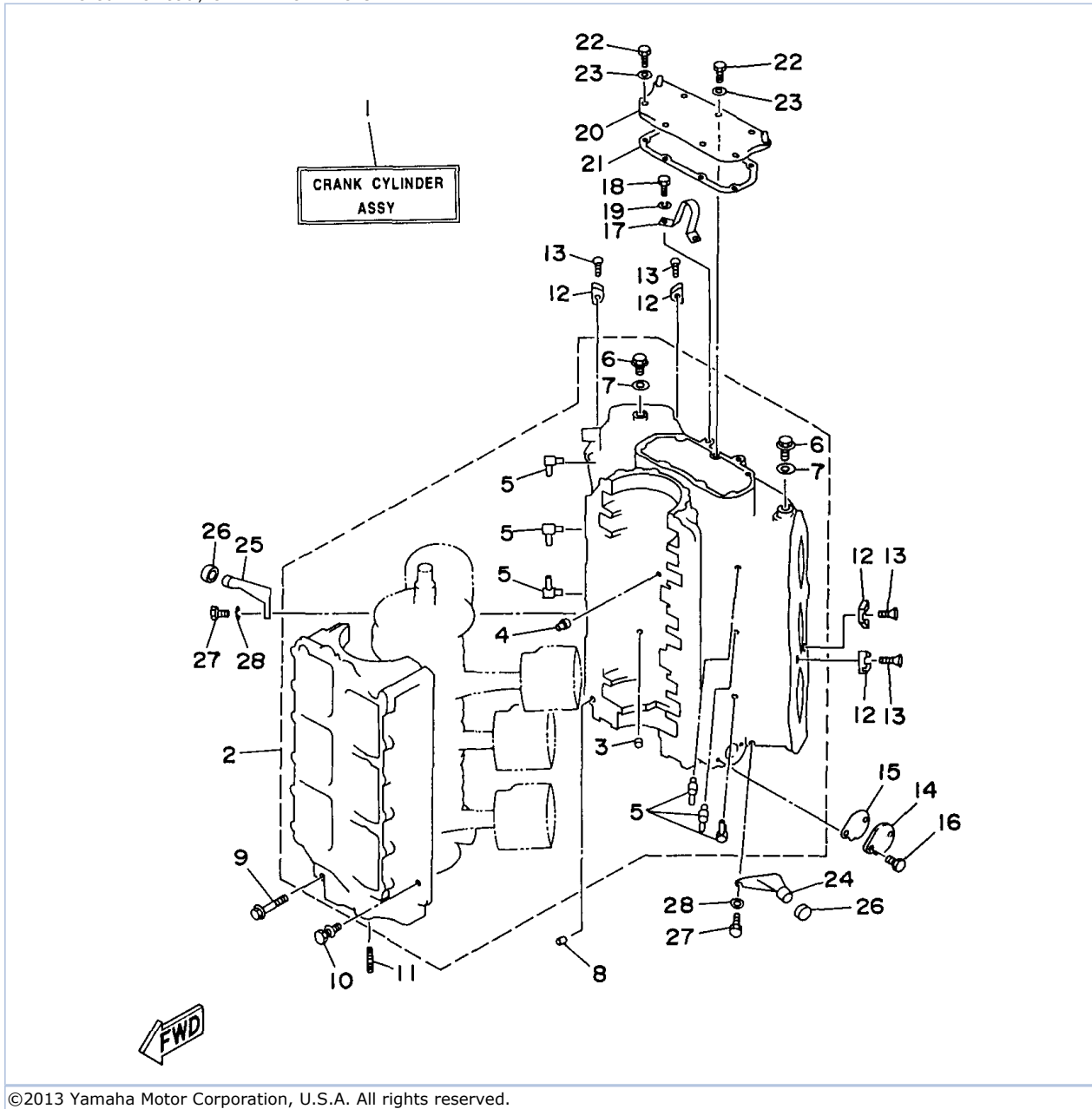


C150TLRU 1996 / CYLINDER CRANKCASE 1



©2013 Yamaha Motor Corporation, U.S.A. All rights reserved.



Part List

C150TLRU 1996 / CYLINDER CRANKCASE 1

| REF - NO | PART NUMBER | PART NAME | QUANTITY | REMARKS |
|----------|-----------------|---|----------|---------|
| 1 | 64C-W0090-00-4D | CRANK CYLINDER ASSEMBLY (REF. #2~28; CYLINDER - CRANKC) | 1 | |
| 2 | 64C-15100-20-94 | CRANKCASE ASSEMBLY | 1 | |
| 3 | 624-11379-00-00 | .VALVE, CHECK | 2 | |
| 4 | 663-11518-01-00 | .LOCK, BEARING | 2 | |
| 5 | 646-11370-00-00 | .CHECK VALVE ASSY | 6 | |
| 6 | 90334-15M02-00 | .PLUG, STRAIGHT SCREW | 2 | |
| 7 | 90430-14115-00 | .GASKET | 2 | |
| 8 | 93608-12063-00 | PIN, DOWEL | 2 | |
| 9 | 90105-10M20-00 | BOLT, FLANGE | 8 | |
| 10 | 90119-08M23-00 | BOLT, W/WASHER | 12 | |
| 11 | 90116-08M45-00 | BOLT, STUD | 2 | |
| 12 | 6E5-11325-00-00 | ANODE | 8 | |
| 13 | 98780-04015-00 | SCREW, FLAT HEAD | 8 | |
| 14 | 6R3-1131M-00-00 | COVER | 1 | |
| 15 | 6R3-11397-A0-00 | GASKET | 1 | |
| 16 | 97095-06016-00 | BOLT | 2 | |
| 17 | 6E5-11119-00-00 | HANGER, ENGINE | 1 | |
| 18 | 97013-08020-00 | BOLT | 2 | |
| 19 | 92990-08100-00 | WASHER, SPRING | 2 | |
| 20 | 6E5-11371-00-9M | COVER | 1 | |
| 21 | 6E5-11381-A2-00 | .GASKET 1 | 1 | |
| 22 | 97095-06020-00 | BOLT | 7 | |
| 23 | 92990-06600-00 | WASHER, PLATE | 7 | |
| 24 | 6E5-42761-00-94 | STOPPER | 1 | |
| 25 | 6E5-42762-00-94 | STOPPER | 1 | |
| 26 | 663-44533-00-00 | DAMPER, UPPER MOUNT RUBBER | 2 | |
| 27 | 97095-06020-00 | BOLT | 4 | |
| 28 | 92990-06600-00 | WASHER, PLATE | 4 | |

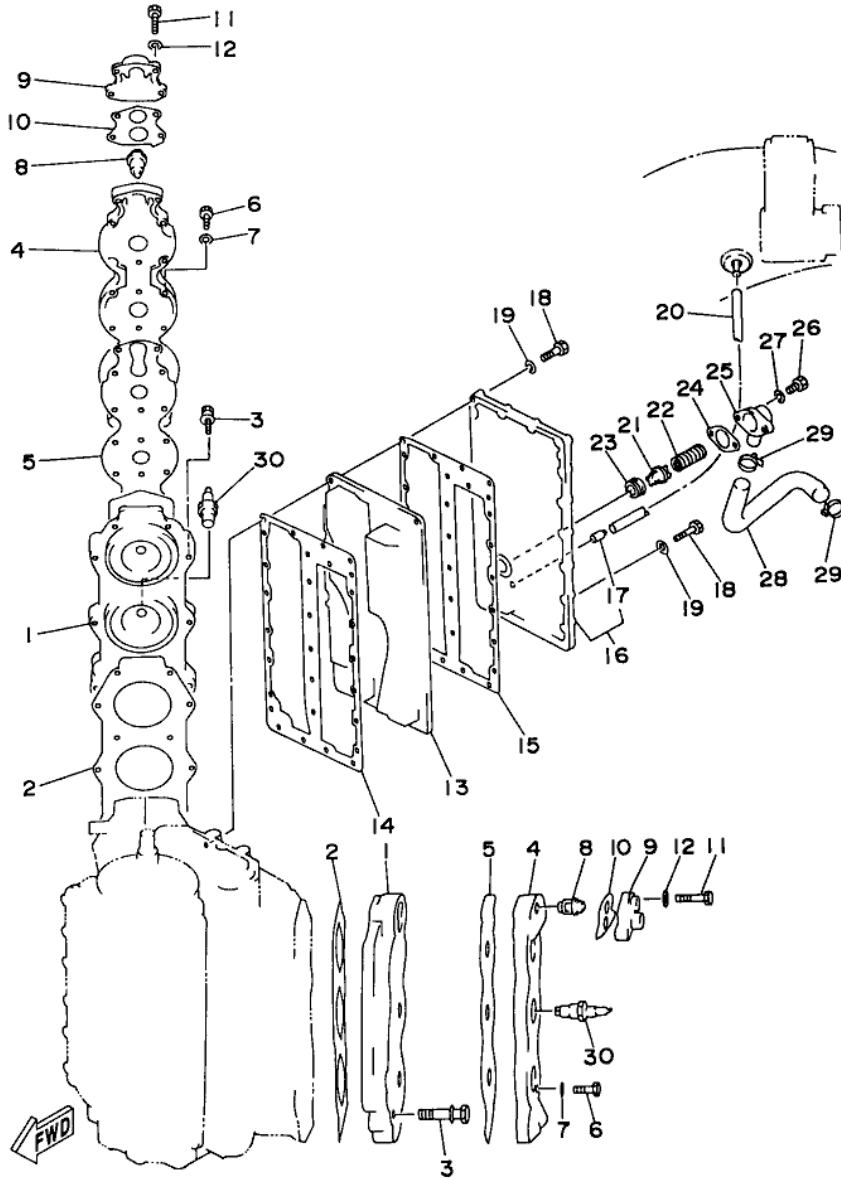
Part Notes

C150TLRU 1996 / CYLINDER CRANKCASE 1

| PART NUMBER | | NOTE TEXT |
|----------------|---|---|
| 92990-06600-00 |  | OEM: This part number is among the Top 100 Most Popular Marine Maintenance Parts as of August 2013. |
| 92990-06600-00 |  | OEM: This part number is among the Top 100 Most Popular Marine Maintenance Parts as of August 2013. |

©2013 Yamaha Motor Corporation, U.S.A. All rights reserved.

C150TLRU 1996 / CYLINDER CRANKCASE 2



©2013 Yamaha Motor Corporation, U.S.A. All rights reserved.







Part List

C150TLRU 1996 / CYLINDER CRANKCASE 2

| REF - NO | PART NUMBER | PART NAME | QUANTITY | REMARKS |
|----------|-----------------|--------------------------------|----------|---------|
| 1 | 6G5-11111-04-94 | HEAD, CYLINDER 1 | 2 | |
| 2 | 6G5-11181-A1-00 | GASKET, CYLINDER HEAD 1 | 2 | |
| 3 | 90119-08M21-00 | BOLT, WITH WASHER | 28 | |
| 4 | 6G5-11191-00-9M | COVER, CYLINDER HEAD 1 | 2 | |
| 5 | 6G5-11193-A0-00 | .GASKET, HEAD COVER 1 | 2 | |
| 6 | 97095-06030-00 | BOLT | 36 | |
| 7 | 92990-06600-00 | WASHER, PLATE | 36 | |
| 8 | 6E5-12411-20-00 | THERMOSTAT | 2 | |
| 9 | 688-12413-00-9M | COVER, THERMOSTAT | 2 | |
| 10 | 688-12414-A1-00 | .GASKET, COVER | 2 | |
| 11 | 97013-06045-00 | BOLT | 8 | |
| 12 | 92990-06600-00 | WASHER, PLATE | 8 | |
| 13 | 64D-41111-00-9M | INNER COVER, EXHAUST | 1 | |
| 14 | 6G5-41112-A1-00 | GASKET, EXHAUST INNER COVER | 1 | |
| 15 | 6G5-41112-A1-00 | GASKET, EXHAUST INNER COVER | 1 | |
| 16 | 6R3-41113-00-9M | OUTER COVER, EXHAUST | 1 | |
| 17 | 652-24461-00-00 | .PIPE, JOINT 4 | 1 | |
| 18 | 97014-06035-00 | BOLT, HEXAGON | 29 | |
| 19 | 92990-06600-00 | WASHER, PLATE | 29 | |
| 20 | 90445-09226-00 | HOSE (L390) | 1 | |
| 21 | 6G5-12416-00-00 | VALVE, PRESSURE CONTROL | 1 | |
| 22 | 90501-16M11-00 | SPRING, COMPRESSION | 1 | |
| 23 | 90480-20M05-00 | GROMMET | 1 | |
| 24 | 6G5-11382-A1-00 | .GASKET 2 | 1 | |
| 25 | 6G5-11372-00-5B | NIPPLE, HOSE (6G5-11372-00-9M) | 1 | |
| 26 | 97095-06020-00 | BOLT | 2 | |
| 27 | 92990-06600-00 | WASHER, PLATE | 2 | |
| 28 | 6G5-12576-00-00 | HOSE 1 | 1 | |
| 29 | 90465-13M36-00 | CLAMP | 2 | |
| 30 | NGK-B7HS1-00-00 | PLUG, SPARK (NGK B7HS-10) | 6 | |

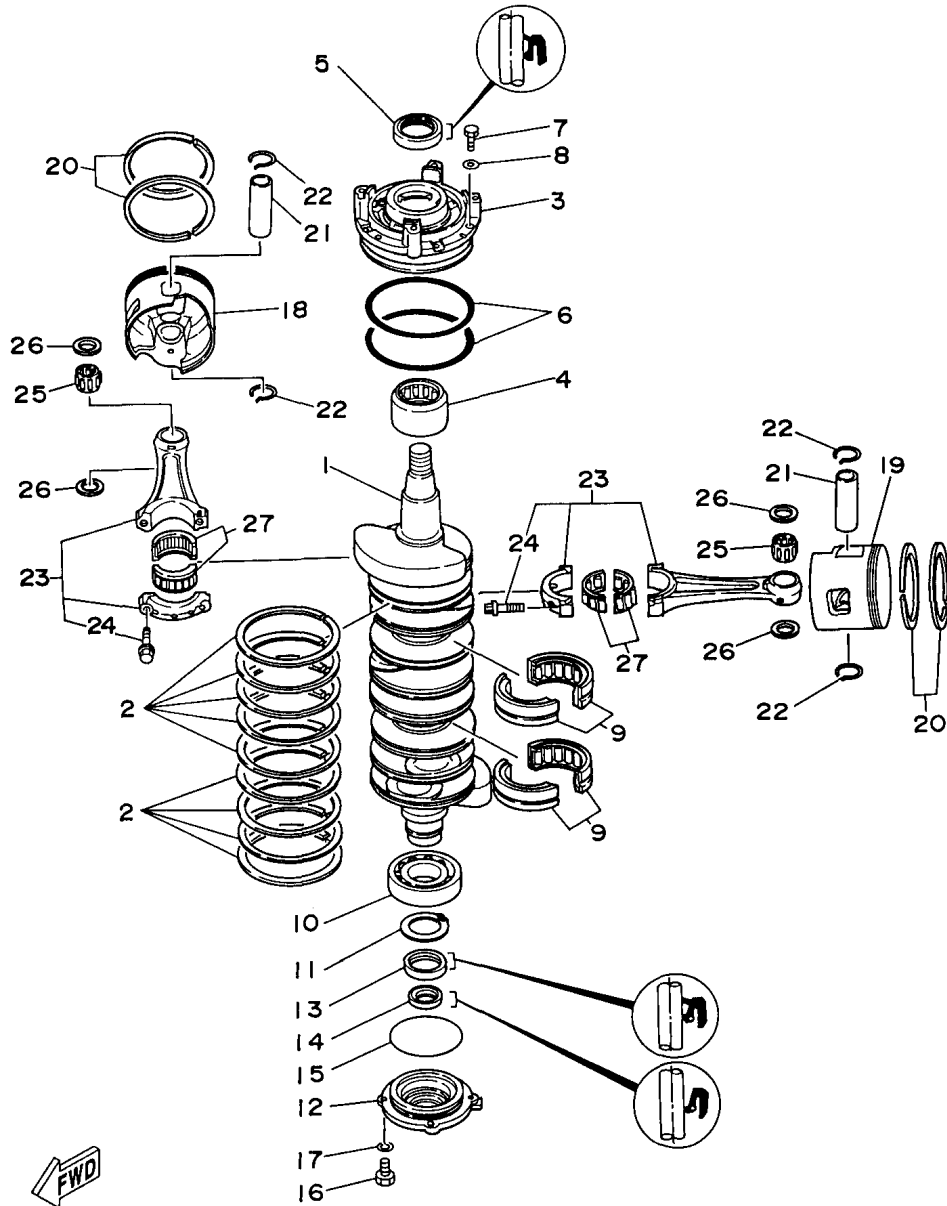
Part Notes

C150TLRU 1996 / CYLINDER CRANKCASE 2

| PART NUMBER | | NOTE TEXT |
|-----------------|---|---|
| 92990-06600-00 |  | OEM: This part number is among the Top 100 Most Popular Marine Maintenance Parts as of August 2013. |
| 688-12414-A1-00 |  | OEM: This part number is among the Top 100 Most Popular Marine Maintenance Parts as of August 2013. |
| 92990-06600-00 |  | OEM: This part number is among the Top 100 Most Popular Marine Maintenance Parts as of August 2013. |
| 92990-06600-00 |  | OEM: This part number is among the Top 100 Most Popular Marine Maintenance Parts as of August 2013. |
| 90480-20M05-00 |  | OEM: This part number is among the Top 100 Most Popular Marine Maintenance Parts as of August 2013. |
| 92990-06600-00 |  | OEM: This part number is among the Top 100 Most Popular Marine Maintenance Parts as of August 2013. |

©2013 Yamaha Motor Corporation, U.S.A. All rights reserved.

C150TLRU 1996 / CRANKSHAFT PISTON



©2013 Yamaha Motor Corporation, U.S.A. All rights reserved.



Part List

C150TLRU 1996 / CRANKSHAFT PISTON

| REF - NO | PART NUMBER | PART NAME | QUANTITY | REMARKS |
|----------|-----------------|------------------------------|----------|---------|
| 1 | 6G5-11411-01-00 | CRANKSHAFT | 1 | |
| 2 | 6E5-11447-00-00 | SEAL, CRANK | 9 | |
| 3 | 6E5-15163-00-94 | HOUSING, BEARING 1 | 1 | |
| 4 | 93311-940U3-00 | BEARING | 1 | |
| 5 | 93102-40M38-00 | OIL SEAL | 1 | |
| 6 | 93211-04384-00 | .O-RING | 2 | |
| 7 | 97095-06020-00 | BOLT | 4 | |
| 8 | 92990-06600-00 | WASHER, PLATE | 4 | |
| 9 | 93310-954V3-00 | BEARING, CYLINDRICAL | 2 | |
| 10 | 93306-208U0-00 | BEARING | 1 | |
| 11 | 93410-40M03-00 | CIRCLIP | 1 | |
| 12 | 6G5-15359-00-94 | HOUSING, OIL SEAL | 1 | |
| 13 | 93102-35M13-00 | OIL SEAL | 1 | |
| 14 | 93101-22M15-00 | .OIL SEAL | 1 | |
| 15 | 93210-74M35-00 | .O-RING | 1 | |
| 16 | 97095-06020-00 | BOLT | 4 | |
| 17 | 92990-06600-00 | WASHER, PLATE | 4 | |
| 18 | 64D-11631-00-90 | PISTON (STD) | 3 | |
| 18 | 64D-11635-00-00 | PISTON (0.25MM O/S) | 3 | AP |
| 18 | 64D-11636-00-00 | PISTON (0.50MM O/S) | 3 | AP |
| 19 | 64D-11642-00-90 | PISTON 2 (STD) | 3 | |
| 19 | 64D-11645-00-00 | PISTON 2 (0.25MM O/S) | 3 | AP |
| 19 | 64D-11646-00-00 | PISTON 2 (0.50MM O/S) | 3 | AP |
| 20 | 64D-11605-00-00 | PISTON RING SET (0.50MM O/S) | 6 | AP |
| 20 | 64D-11603-00-00 | PISTON RING SET (STD) | 6 | |
| 20 | 64D-11604-00-00 | PISTON RING SET (0.25MM O/S) | 6 | AP |
| 21 | 6R5-11633-10-00 | PIN, PISTON | 6 | |
| 22 | 6R5-11634-10-00 | CLIP, PISTON PIN | 12 | |
| 23 | 6R5-11650-10-00 | CONNECTING ROD ASSY | 6 | |
| 24 | 90109-08M71-00 | .BOLT | 2 | |
| 25 | 93310-323V6-00 | BEARING | 6 | |
| 26 | 90201-23M01-00 | WASHER, PLATE | 12 | |
| 27 | 93310-836V2-00 | BEARING | 6 | |

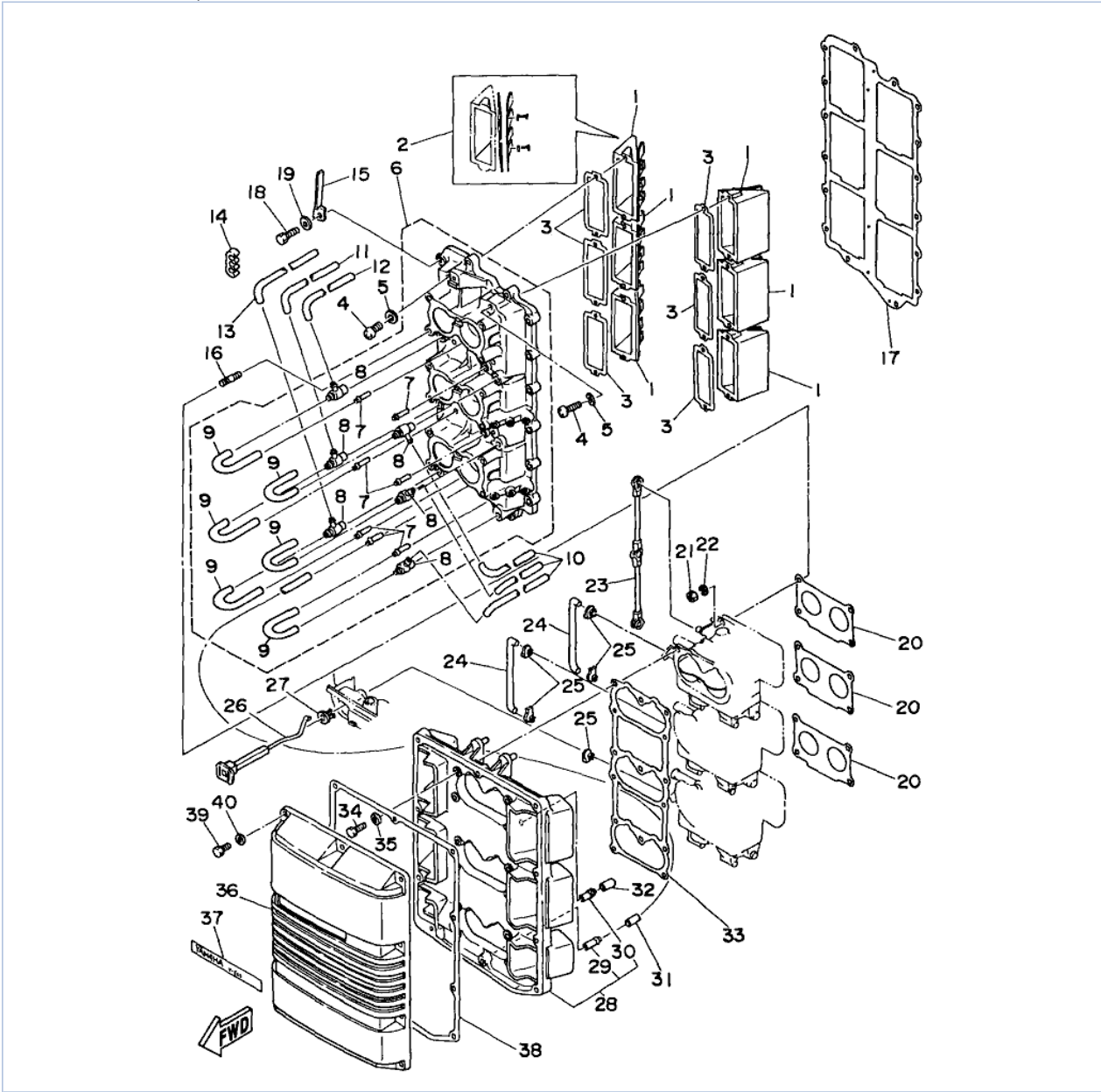
Part Notes

C150TLRU 1996 / CRANKSHAFT PISTON

| PART NUMBER | | NOTE TEXT |
|----------------|---|---|
| 92990-06600-00 |  | OEM: This part number is among the Top 100 Most Popular Marine Maintenance Parts as of August 2013. |
| 92990-06600-00 |  | OEM: This part number is among the Top 100 Most Popular Marine Maintenance Parts as of August 2013. |

©2013 Yamaha Motor Corporation, U.S.A. All rights reserved.

C150TLRU 1996 / INTAKE



©2013 Yamaha Motor Corporation, U.S.A. All rights reserved.





Part List

C150TLRU 1996 / INTAKE

| REF - NO | PART NUMBER | PART NAME | QUANTITY | REMARKS |
|----------|-----------------|---------------------|----------|---------|
| 1 | 6G5-13610-00-00 | REED VALVE ASSY | 6 | |
| 2 | 6E5-W0004-00-00 | .REED SET | 1 | |
| 3 | 6E5-13621-A1-00 | .GASKET, VALVE SEAT | 6 | |
| 4 | 98580-05016-00 | SCREW, PAN HEAD | 12 | |
| 5 | 92990-05600-00 | WASHER, PLATE | 12 | |
| 6 | 6G5-13641-00-94 | MANIFOLD 1 | 1 | |
| 7 | 624-14485-00-00 | .PIPE, JOINT | 7 | |
| 8 | 6E5-11370-00-00 | .CHECK VALVE ASSY | 6 | |
| 9 | 90445-07M28-00 | .HOSE (L70) | 6 | |
| 10 | 90445-07M45-00 | HOSE (L340) | 3 | |
| 11 | 90445-07M46-00 | HOSE (L360) | 1 | |
| 12 | 90445-07M09-00 | HOSE (L380) | 1 | |
| 13 | 90445-07M59-00 | HOSE (L410) | 1 | |
| 14 | 90464-07M05-00 | CLAMP | 2 | |
| 15 | 90465-07M20-00 | CLAMP | 2 | |
| 16 | 90116-06M30-00 | BOLT, STUD | 12 | |
| 17 | 6G5-13645-A1-00 | GASKET, MANIFOLD 1 | 1 | |
| 18 | 97095-06025-00 | BOLT | 16 | |
| 19 | 92990-06600-00 | WASHER, PLATE | 16 | |
| 20 | 6E5-14198-A2-00 | .GASKET | 3 | |
| 21 | 95380-06600-00 | NUT, HEXAGON | 12 | |
| 22 | 92995-06100-00 | WASHER, SPRING | 12 | |
| 23 | 6G5-41217-01-00 | ROD, ACCEL. LEVER | 1 | |
| 24 | 6E5-41256-01-00 | ROD, CHOKE 1 | 2 | |
| 25 | 661-41262-02-00 | JOINT, CHOKE LEVER | 5 | |
| 26 | 6E5-41271-02-00 | KNOB, CHOKE | 1 | |
| 27 | 689-41273-00-00 | GROMMET | 1 | |
| 28 | 6G5-14417-10-94 | COVER 1 | 1 | |
| 29 | 624-14485-00-00 | .PIPE, JOINT | 1 | |
| 30 | 6E5-14485-00-00 | .PIPE, JOINT | 1 | |
| 31 | 90445-07M23-00 | HOSE (L408) | 1 | |
| 32 | 647-14395-60-00 | CAP, OVERFLOW PIPE | 1 | |
| 33 | 6G5-14483-A1-00 | GASKET | 1 | |
| 34 | 97095-06020-00 | BOLT | 12 | |
| 35 | 92990-06600-00 | WASHER, PLATE | 12 | |
| 36 | 6G5-14418-00-00 | COVER 2 | 1 | |
| 37 | 6G5-1441K-00-00 | EMBLEM | 1 | |
| 38 | 6G5-14416-A1-00 | GASKET, AIR CLEANER | 1 | |
| 39 | 97095-06020-00 | BOLT | 10 | |
| 40 | 92990-06600-00 | WASHER, PLATE | 10 | |

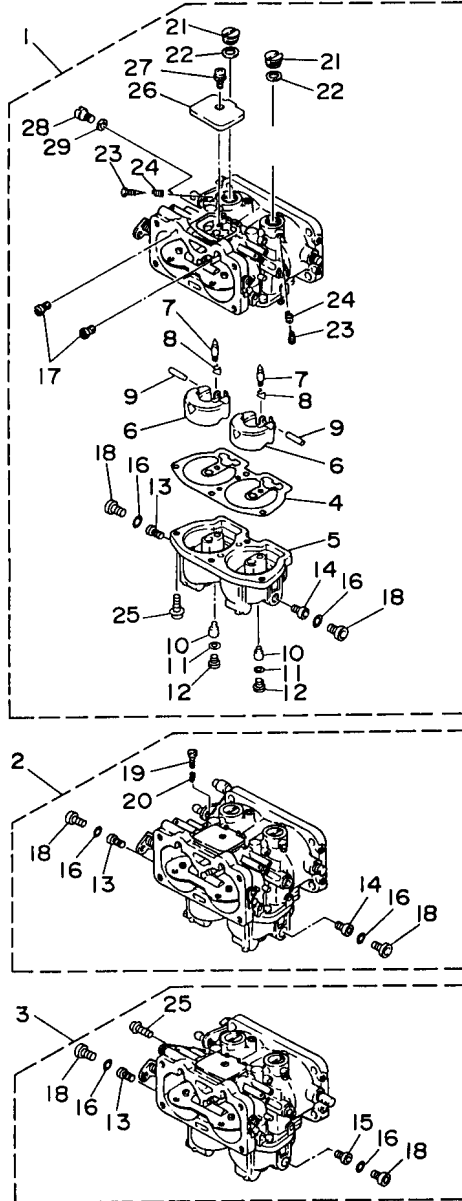
Part Notes

C150TLRU 1996 / INTAKE

| PART NUMBER | | NOTE TEXT |
|----------------|---|---|
| 92990-06600-00 |  | OEM: This part number is among the Top 100 Most Popular Marine Maintenance Parts as of August 2013. |
| 92995-06100-00 |  | OEM: This part number is among the Top 100 Most Popular Marine Maintenance Parts as of August 2013. |
| 92990-06600-00 |  | OEM: This part number is among the Top 100 Most Popular Marine Maintenance Parts as of August 2013. |
| 92990-06600-00 |  | OEM: This part number is among the Top 100 Most Popular Marine Maintenance Parts as of August 2013. |

©2013 Yamaha Motor Corporation, U.S.A. All rights reserved.

C150TLRU 1996 / CARBURETOR



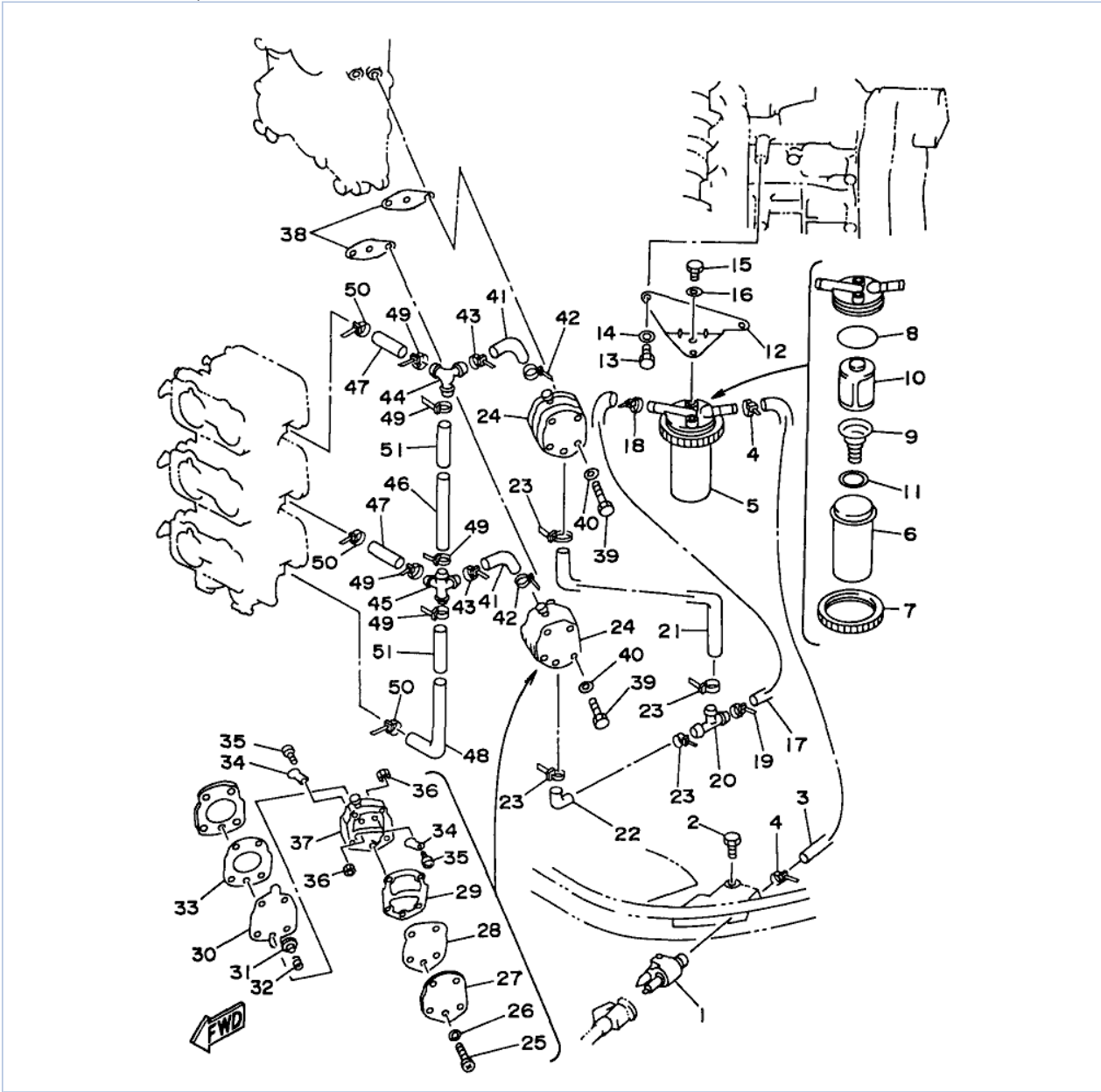
©2013 Yamaha Motor Corporation, U.S.A. All rights reserved.

Part List

C150TLRU 1996 / CARBURETOR

| REF - NO | PART NUMBER | PART NAME | QUANTITY | REMARKS |
|----------------|-----------------|----------------------------|----------|---------|
| 1 | 64C-14301-00-00 | CARBURETOR ASSEMBLY 1 | 1 | |
| 2 | 64C-14302-00-00 | CARBURETOR ASSEMBLY 2 | 1 | |
| 3 | 64C-14303-00-00 | CARBURETOR ASSEMBLY 3 | 1 | |
| 4 | 64D-14384-00-00 | .GASKET, FLOAT CHAMBER | 3 | |
| 5 | 64D-14381-00-00 | .BODY, FLOAT CHAMBER | 3 | |
| 6 | 6E5-14385-02-00 | .FLOAT | 6 | |
| 7 | 6E5-14546-00-00 | .VALVE, NEEDLE | 6 | |
| 8 | 6E5-14159-00-00 | .CLIP | 6 | |
| 9 | 6E5-14386-02-00 | .PIN, FLOAT | 6 | |
| 10 | 64D-1492F-42-00 | .JET, AIR SLOW (#84) | 6 | |
| 11 | 61U-14959-00-00 | .GASKET | 6 | |
| 12 | 64D-14394-00-00 | .VALVE, DRAIN | 6 | |
| 13 | 64D-1492E-75-00 | .JET, MAIN (#150) | 3 | |
| 14 | 64D-1492E-77-00 | .JET, MAIN (#154) | 2 | |
| 15 | 64D-1492E-79-00 | .JET, MAIN (#158) | 1 | |
| 16 | 6E5-14398-01-00 | .GASKET | 6 | |
| 17 | 61A-1492H-12-00 | .JET, SLOW AIR BLEED (#60) | 6 | |
| 18 | 61A-14383-01-00 | .SCREW, DRAIN | 6 | |
| 19 | 6E5-14321-00-00 | .SCREW, THROTTLE | 1 | CENTER |
| 20 | 6J8-14334-00-00 | .SPRING, THROTTLE | 1 | CENTER |
| 21 | 6E5-14328-01-00 | .PLUG | 6 | |
| 22 | 6E5-14979-00-00 | .GASKET | 6 | |
| 23 | 6E5-14323-03-00 | .SCREW, AIR ADJUSTING | 6 | |
| 24 | 6E5-14223-00-00 | .SPRING, AIR ADJUSTING | 6 | |
| 25 | 97980-05116-00 | .SCREW, WITH WASHER | 13 | |
| 26 | 6E5-14527-01-00 | .PLATE | 3 | |
| 27 | 97980-05108-00 | .SCREW, WITH WASHER | 3 | |
| 28 | 6E5-14324-00-00 | .SCREW, FLAT HEAD | 3 | |
| 29 | 6J8-14995-00-00 | .GASKET | 3 | |

C150TLRU 1996 / FUEL



©2013 Yamaha Motor Corporation, U.S.A. All rights reserved.







Part List

C150TLRU 1996 / FUEL

| REF - NO | PART NUMBER | PART NAME | QUANTITY | REMARKS |
|----------------|-----------------|-------------------------|----------|---------|
| 1 | 6E5-24304-10-00 | FUEL PIPE JOINT COMP. 1 | 1 | |
| 2 | 97095-06028-00 | BOLT | 1 | |
| 3 | 6G5-24313-01-00 | PIPE 3 | 1 | |
| 4 | 90465-11M10-00 | CLAMP | 2 | |
| 5 | 61A-24560-02-00 | FILTER ASSEMBLY | 1 | |
| 6 | 61A-24521-00-00 | .CUP, FILTER | 1 | |
| 7 | 61A-24531-00-00 | .NUT | 1 | |
| 8 | 61A-24564-00-00 | .O-RING | 1 | |
| 9 | 61A-24577-01-00 | .SPRING | 1 | |
| 10 | 61A-24563-00-00 | .ELEMENT, FILTER | 1 | |
| 11 | 61A-24469-00-00 | .FLOAT, WATER LEVEL | 1 | |
| 12 | 61U-24566-00-00 | BRACKET, FILTER | 1 | |
| 13 | 97095-06014-00 | BOLT | 2 | |
| 14 | 92990-06600-00 | WASHER, PLATE | 2 | |
| 15 | 97095-06016-00 | BOLT | 2 | |
| 16 | 92990-06600-00 | WASHER, PLATE | 2 | |
| 17 | 6G5-24314-10-00 | PIPE 4 | 1 | |
| 18 | 90465-11M10-00 | CLAMP | 1 | |
| 19 | 90465-11M10-00 | CLAMP | 1 | |
| 20 | 6E5-24378-00-00 | PIPE, JOINT 3 | 1 | |
| 21 | 6G5-24315-00-00 | PIPE 5 | 1 | |
| 22 | 6E5-24315-00-00 | PIPE 5 | 1 | |
| 23 | 90465-11M10-00 | CLAMP | 4 | |
| 24 | 6E5-24410-03-00 | FUEL PUMP ASSY | 2 | |
| 25 | 98580-05035-00 | .SCREW, PAN HEAD | 3 | |
| 26 | 92990-05600-00 | .WASHER, PLATE | 3 | |
| 27 | 6E5-24413-00-00 | .BODY 2 | 1 | |
| 28 | 6E5-24471-00-00 | .DIAPHRAGM | 1 | |
| 29 | 6E5-24435-00-00 | .GASKET, BODY 2 | 1 | |
| 30 | 6E5-24411-00-00 | .DIAPHRAGM | 1 | |
| 31 | 648-24424-00-00 | .SEAT, SPRING | 1 | |
| 32 | 6E5-24423-00-00 | .SPRING, DIAPHRAGM | 1 | |
| 33 | 6E5-24434-02-00 | .GASKET, BODY | 1 | |
| 34 | 6A0-24421-01-00 | .VALVE, CHECK | 4 | |
| 35 | 6A0-14325-00-00 | .SCREW, PAN HEAD | 4 | |
| 36 | 95380-03600-00 | .NUT | 4 | |
| 37 | 6E5-24412-02-00 | .BODY 1 | 1 | |
| 38 | 650-24431-A0-00 | GASKET, FUEL PUMP 1 | 2 | |
| 39 | 97095-06050-00 | BOLT | 4 | |
| 40 | 92990-06600-00 | WASHER, PLATE | 4 | |
| 41 | 6G5-24316-10-00 | PIPE 6 | 2 | |
| 42 | 90465-11M10-00 | CLAMP | 2 | |
| 43 | 90465-11M10-00 | CLAMP | 2 | |
| 44 | 6G5-24376-00-00 | PIPE, JOINT 1 | 1 | |
| 45 | 6G5-24377-00-00 | PIPE, JOINT 2 | 1 | |
| 46 | 6G5-24317-01-00 | PIPE 7 | 1 | |
| 47 | 6G5-24318-10-00 | PIPE, OVERFLOW | 2 | |
| 48 | 6G5-24319-10-00 | PIPE, OIL | 1 | |
| 49 | 90465-11M10-00 | CLAMP | 5 | |
| 50 | 90465-11M10-00 | CLAMP | 3 | |
| 51 | 90446-15M07-00 | HOSE (L60) | 2 | |
| 52 | 656-W2810-02-00 | TOOL KIT | 1 | |

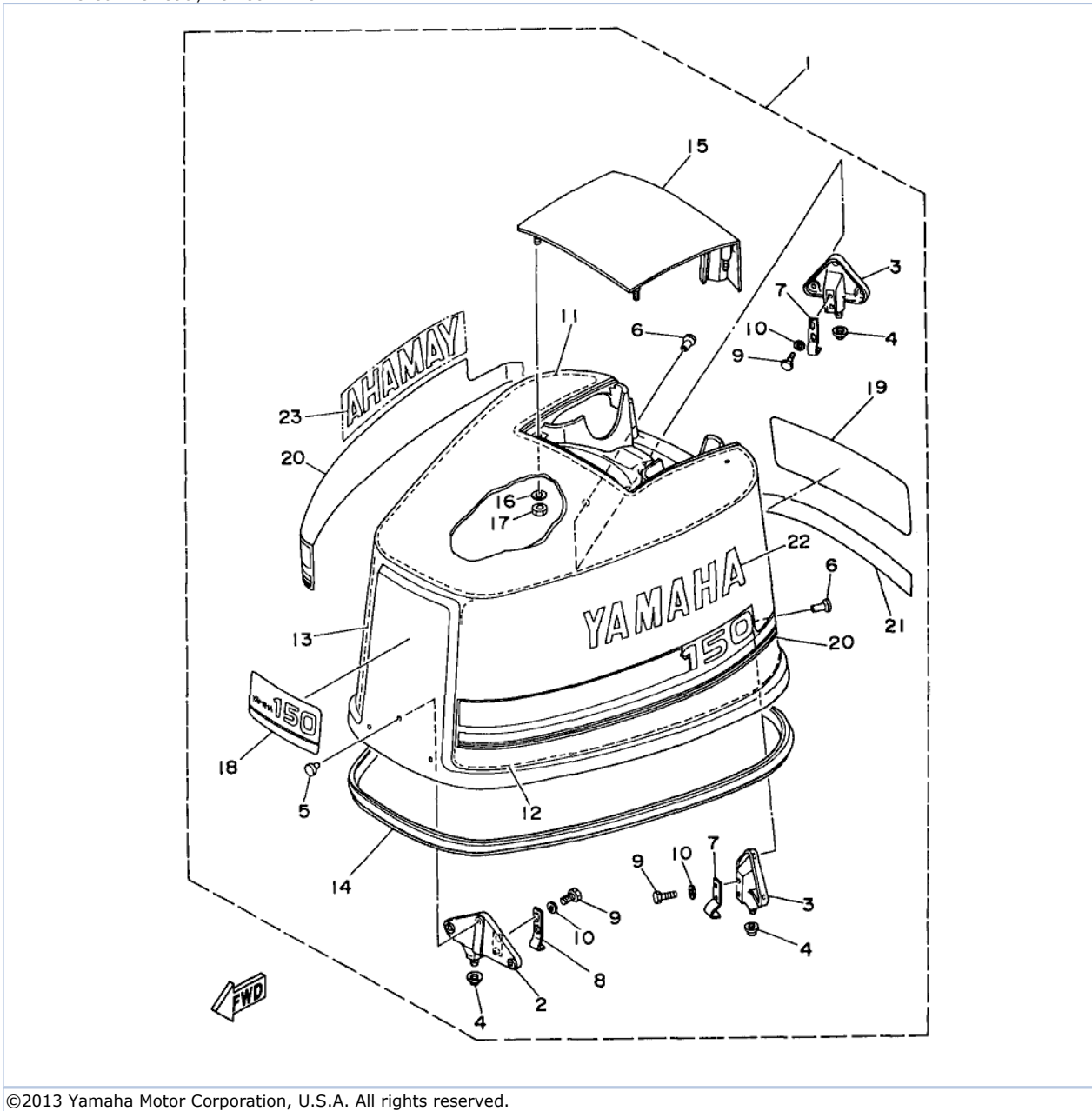
Part Notes

C150TLRU 1996 / FUEL

| PART NUMBER | | NOTE TEXT |
|-----------------|---|---|
| 61A-24564-00-00 |  | OEM: This part number is among the Top 100 Most Popular Marine Maintenance Parts as of August 2013. |
| 92990-06600-00 |  | OEM: This part number is among the Top 100 Most Popular Marine Maintenance Parts as of August 2013. |
| 92990-06600-00 |  | OEM: This part number is among the Top 100 Most Popular Marine Maintenance Parts as of August 2013. |
| 6E5-24410-03-00 |  | OEM: This part number is among the Top 100 Most Popular Marine Maintenance Parts as of August 2013. |
| 650-24431-A0-00 |  | OEM: This part number is among the Top 100 Most Popular Marine Maintenance Parts as of August 2013. |
| 92990-06600-00 |  | OEM: This part number is among the Top 100 Most Popular Marine Maintenance Parts as of August 2013. |

©2013 Yamaha Motor Corporation, U.S.A. All rights reserved.

C150TLRU 1996 / TOP COWLING



©2013 Yamaha Motor Corporation, U.S.A. All rights reserved.



Part List

C150TLRU 1996 / TOP COWLING

| REF - NO | PART NUMBER | PART NAME | QUANTITY | REMARKS |
|----------------|-----------------|---------------------------------|----------|----------------|
| 1 | 6G4-42610-30-4D | TOP COWLING ASSEMBLY | 1 | |
| 2 | 6E5-42647-00-94 | .HOLDER, CLAMP BAND | 1 | |
| 3 | 6E5-42649-01-94 | .HOLDER, CLAMP BAND | 2 | |
| 4 | 663-42662-00-00 | .DAMPER | 3 | |
| 5 | 90266-06M02-00 | .RIVET | 3 | |
| 6 | 90266-06M02-00 | .RIVET | 6 | |
| 7 | 6E5-42652-00-00 | .HOOK | 2 | |
| 8 | 688-42652-10-00 | .HOOK | 1 | |
| 9 | 97095-06016-00 | .BOLT | 6 | |
| 10 | 92990-06600-00 | .WASHER, PLATE | 6 | |
| 11 | 6E5-42617-00-00 | .DAMPER, FORM | 1 | |
| 12 | 689-W4266-50-00 | .DAMPER, FORM (6G5-42619-00-00) | 1 | PORT SIDE |
| 13 | 689-W4266-50-00 | .DAMPER, FORM (6G5-42619-00-00) | 1 | STARBOARD SIDE |
| 14 | 6E5-42615-00-00 | .SEAL | 1 | |
| 15 | 6G5-42613-00-4D | .MOLDING, AIR DUCT | 1 | |
| 16 | 92990-06600-00 | .WASHER, PLATE | 4 | |
| 17 | 95380-06600-00 | .NUT, HEXAGON | 4 | |
| 18 | 6G4-42677-30-00 | .GRAPHIC, FRONT | 1 | |
| 19 | 6G4-42678-30-00 | .GRAPHIC, REAR | 1 | |
| 20 | 6G4-W0070-30-00 | .GRAPHIC SET | 1 | |
| 21 | 6G5-4267A-30-00 | .GRAPHIC, REAR 2 | 1 | |
| 22 | 6G5-42681-30-00 | .MARK, COWLING | 1 | |
| 23 | 6G5-42682-30-00 | .MARK, COWLING | 1 | |

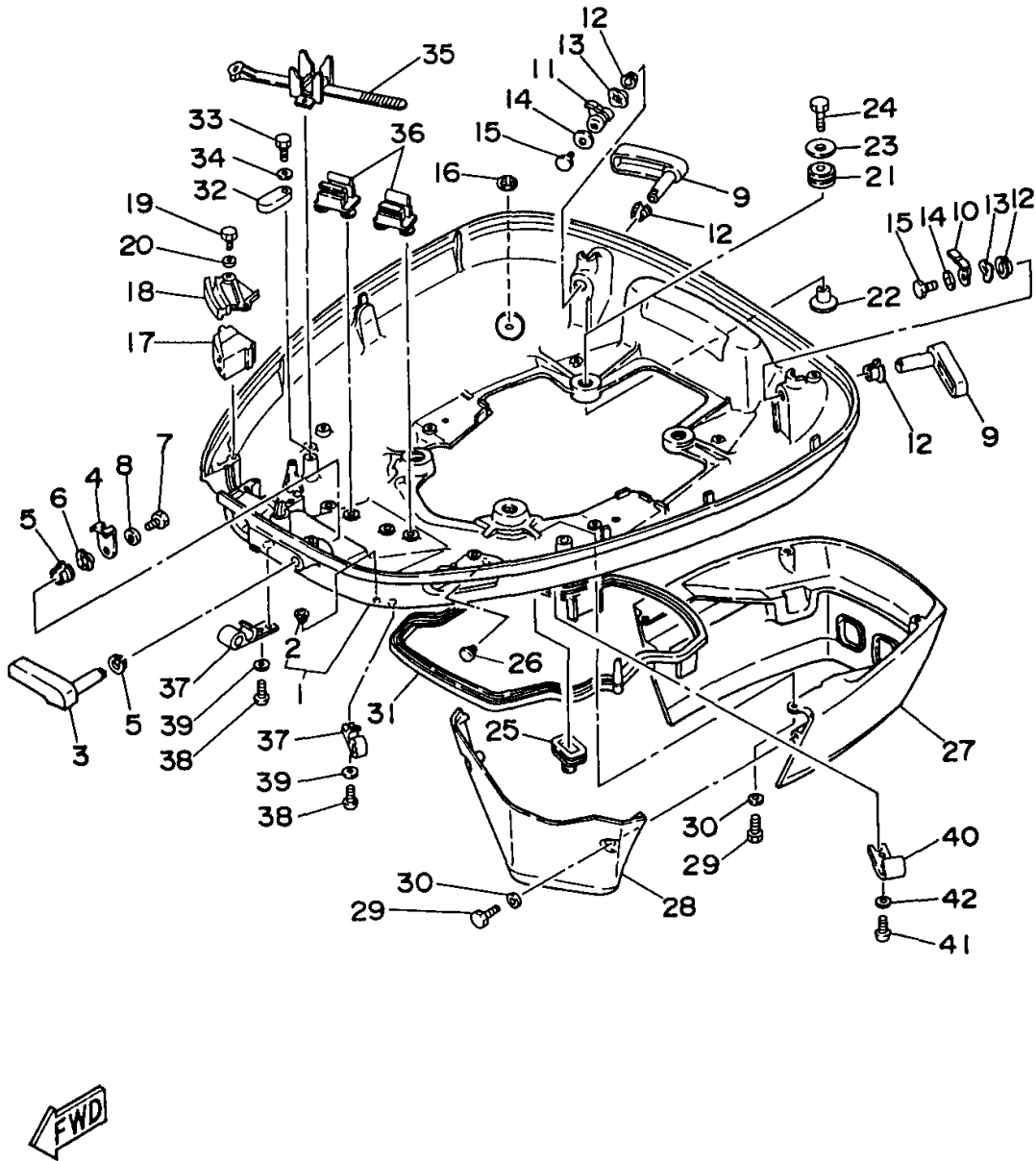
Part Notes

C150TLRU 1996 / TOP COWLING

| PART NUMBER | | NOTE TEXT |
|----------------|---|---|
| 92990-06600-00 |  | OEM: This part number is among the Top 100 Most Popular Marine Maintenance Parts as of August 2013. |
| 92990-06600-00 |  | OEM: This part number is among the Top 100 Most Popular Marine Maintenance Parts as of August 2013. |

©2013 Yamaha Motor Corporation, U.S.A. All rights reserved.

C150TLRU 1996 / BOTTOM COWLING



©2013 Yamaha Motor Corporation, U.S.A. All rights reserved.





Part List

C150TLRU 1996 / BOTTOM COWLING

| REF - NO | PART NUMBER | PART NAME | QUANTITY | REMARKS |
|----------|-----------------|--------------------|----------|---------|
| 1 | 6E5-W4271-05-4D | COWLING, BOTTOM | 1 | |
| 2 | 6H4-42748-00-00 | .GROMMET | 1 | |
| 3 | 688-42815-01-4D | LEVER, CLAMP | 1 | |
| 4 | 688-42816-00-00 | LEVER, CLAMP | 1 | |
| 5 | 90386-13M38-00 | BUSH | 2 | |
| 6 | 90206-13M10-00 | WASHER, WAVE | 1 | |
| 7 | 97095-06012-00 | BOLT | 1 | |
| 8 | 90201-06M02-00 | WASHER, PLATE | 1 | |
| 9 | 6E5-42817-01-4D | LEVER, CLAMP | 2 | |
| 10 | 6G5-42816-00-00 | LEVER, CLAMP | 1 | |
| 11 | 6E5-42816-01-00 | LEVER, CLAMP | 1 | |
| 12 | 90386-13M38-00 | BUSH | 4 | |
| 13 | 90206-13M10-00 | WASHER, WAVE | 2 | |
| 14 | 90201-06M02-00 | WASHER, PLATE | 2 | |
| 15 | 97095-06012-00 | BOLT | 2 | |
| 16 | 6E5-44391-00-00 | NIPPLE, HOSE | 1 | |
| 17 | 6E5-42725-00-00 | GROMMET | 1 | |
| 18 | 6E5-42738-01-5B | PLATE, FITTING | 1 | |
| 19 | 97095-06016-00 | BOLT | 2 | |
| 20 | 92990-06600-00 | WASHER, PLATE | 2 | |
| 21 | 90480-22M15-00 | GROMMET | 4 | |
| 22 | 90387-08M37-00 | COLLAR | 4 | |
| 23 | 90201-08M54-00 | WASHER, PLATE | 4 | |
| 24 | 97095-08035-00 | BOLT | 4 | |
| 25 | 688-42726-10-00 | GROMMET | 1 | |
| 26 | 90480-10M36-00 | GROMMET | 1 | |
| 27 | 6E5-42741-01-4D | APRON | 1 | |
| 28 | 6E5-42771-01-4D | APRON | 1 | |
| 29 | 97095-06020-00 | BOLT | 6 | |
| 30 | 92990-06600-00 | WASHER, PLATE | 6 | |
| 31 | 6E5-42716-00-00 | RUBBER, SEAL 1 | 1 | |
| 32 | 6E5-82588-00-00 | PLATE | 1 | |
| 33 | 97095-06020-00 | BOLT | 1 | |
| 34 | 92990-06600-00 | WASHER, PLATE | 1 | |
| 35 | 688-82594-00-00 | CLAMP | 1 | |
| 36 | 6E5-82594-00-00 | CLAMP | 2 | |
| 37 | 6E5-24367-01-00 | CLAMP, FUEL PIPE 2 | 2 | |
| 38 | 90157-06M01-00 | SCREW, PAN HEAD | 2 | |
| 39 | 92990-06600-00 | WASHER, PLATE | 2 | |
| 40 | 6E5-24367-10-00 | CLAMP, FUEL PIPE 2 | 1 | |
| 41 | 90157-06M01-00 | SCREW, PAN HEAD | 1 | |
| 42 | 92990-06600-00 | WASHER, PLATE | 1 | |

Part Notes

C150TLRU 1996 / BOTTOM COWLING

| PART NUMBER | | NOTE TEXT |
|----------------|---|---|
| 92990-06600-00 |  | OEM: This part number is among the Top 100 Most Popular Marine Maintenance Parts as of August 2013. |
| 92990-06600-00 |  | OEM: This part number is among the Top 100 Most Popular Marine Maintenance Parts as of August 2013. |
| 92990-06600-00 |  | OEM: This part number is among the Top 100 Most Popular Marine Maintenance Parts as of August 2013. |
| 92990-06600-00 |  | OEM: This part number is among the Top 100 Most Popular Marine Maintenance Parts as of August 2013. |

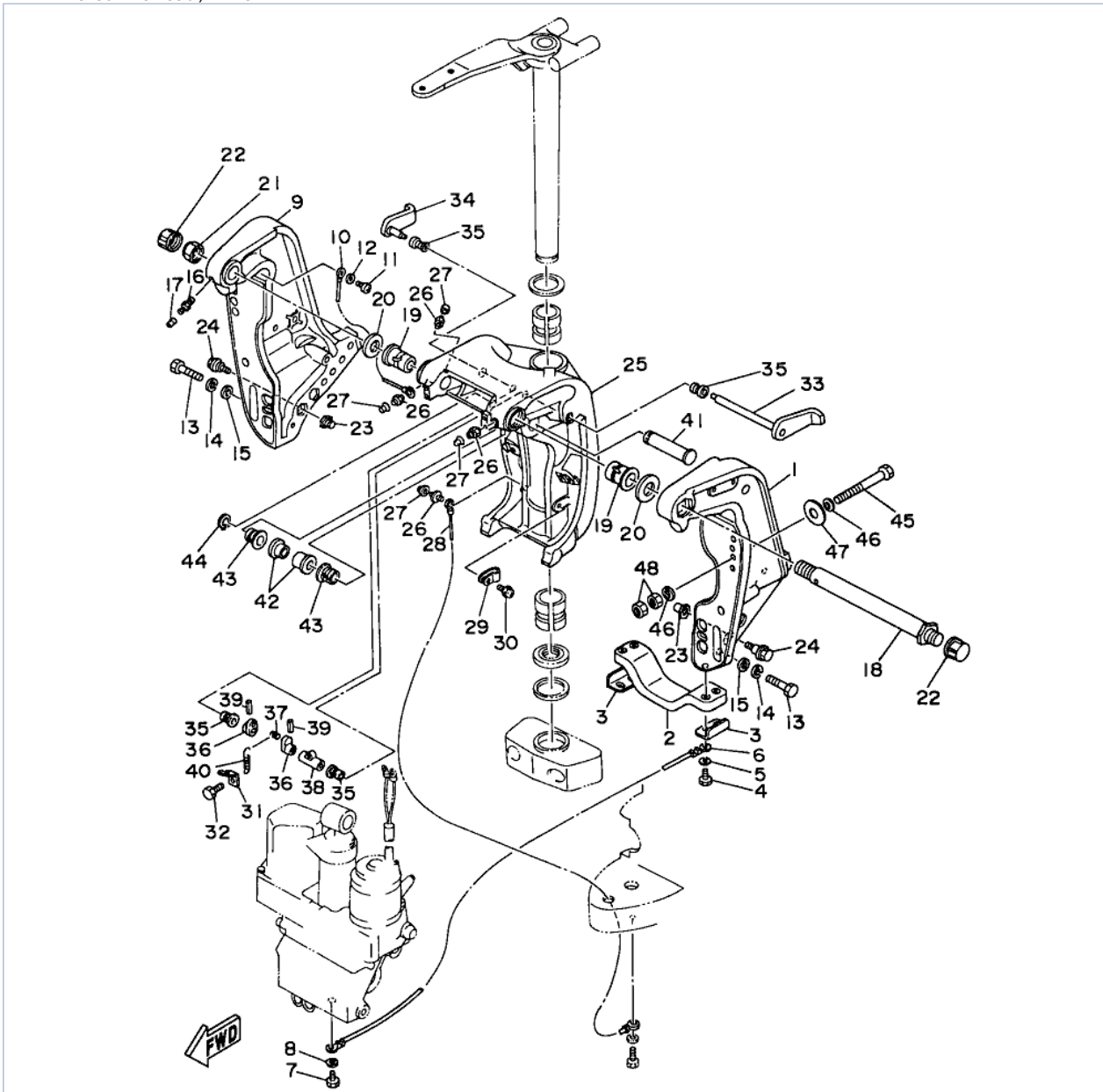
92990-06600-00



OEM: This part number is among the Top 100 Most Popular Marine Maintenance Parts as of August 2013.

©2013 Yamaha Motor Corporation, U.S.A. All rights reserved.

C150TLRU 1996 / BRACKET 1



©2013 Yamaha Motor Corporation, U.S.A. All rights reserved.







Part List

C150TLRU 1996 / BRACKET 1

| REF - NO | PART NUMBER | PART NAME | QUANTITY | REMARKS |
|----------------|-----------------|------------------------|----------|---------------|
| 1 | 6G5-43111-02-8D | BRACKET, CLAMP | 1 | |
| 2 | 6G5-45251-01-00 | ANODE | 1 | |
| 3 | 6G5-44526-00-00 | PLATE | 2 | |
| 4 | 97095-06030-00 | BOLT | 4 | |
| 5 | 92995-06100-00 | WASHER, SPRING | 4 | |
| 6 | 6E5-82148-00-00 | WIRE, LEAD 4 | 1 | |
| 7 | 97095-06010-00 | BOLT | 1 | |
| 8 | 92990-06600-00 | WASHER, PLATE | 1 | |
| 9 | 6G5-43112-02-8D | BRACKET, CLAMP | 1 | |
| 10 | 6E5-82148-00-00 | WIRE, LEAD 4 | 1 | |
| 11 | 98580-06012-00 | SCREW, PAN HEAD | 1 | |
| 12 | 92990-06600-00 | WASHER, PLATE | 1 | |
| 13 | 97095-10050-00 | BOLT | 6 | |
| 14 | 92990-10100-00 | WASHER, SPRING | 6 | |
| 15 | 92990-10600-00 | WASHER, PLATE | 6 | |
| 16 | 93700-06M03-00 | NIPPLE, GREASE | 1 | |
| 17 | 663-45119-00-00 | CAP, GREASE NIPPLE | 1 | |
| 18 | 6R3-43131-00-00 | BOLT, CLAMP BRACKET | 1 | |
| 19 | 90386-25M31-00 | BUSH | 2 | |
| 20 | 90201-26M59-00 | WASHER, PLATE | 2 | |
| 21 | 90185-22M11-00 | NUT, SELF-LOCKING | 1 | |
| 22 | 6G5-43145-00-00 | CAP, CLAMP BRACKET | 2 | |
| 23 | 6G5-43164-00-00 | ROD, TILT LOCK | 2 | |
| 24 | 90109-12M35-00 | BOLT | 2 | |
| 25 | 6G5-43311-20-8D | BRACKET, SWIVEL | 1 | UR ULTRA LONG |
| 25 | 6G5-43311-00-8D | BRACKET, SWIVEL | 1 | UR LONG |
| 26 | 93700-06M03-00 | NIPPLE, GREASE | 5 | |
| 27 | 663-45119-00-00 | CAP, GREASE NIPPLE | 5 | |
| 28 | 6E5-82147-00-00 | WIRE, LEAD 5 | 1 | UR LONG |
| 28 | 6E5-82147-20-00 | WIRE, LEAD 5 | 1 | UR ULTRA LONG |
| 29 | 90464-11M18-00 | CLAMP | 1 | |
| 30 | 97980-04208-00 | SCREW, WITH WASHER | 1 | |
| 31 | 6G5-43144-00-00 | HOOK, SPRING | 1 | |
| 32 | 97095-06010-00 | BOLT | 1 | |
| 33 | 6G5-43181-02-00 | LEVER, TILT STOP 1 | 1 | |
| 34 | 6G5-43185-02-00 | LEVER, TILT STOP 2 | 1 | |
| 35 | 90386-10M16-00 | BUSH | 4 | |
| 36 | 6G5-43148-00-00 | COLLAR, DISTANCE | 2 | |
| 37 | 90249-06M19-00 | PIN | 1 | |
| 38 | 90387-10M02-00 | COLLAR | 1 | |
| 39 | 91690-30020-00 | PIN, SPRING | 2 | |
| 40 | 90506-14M24-00 | SPRING, TENSION | 1 | |
| 41 | 6E5-43126-02-00 | PIN, UPPER SHOCK MOUNT | 1 | |
| 42 | 90386-18M63-00 | BUSH | 2 | |
| 43 | 90386-18M14-00 | BUSH | 2 | |
| 44 | 93410-18M02-00 | CIRCLIP | 1 | |
| 45 | 90101-12M03-00 | BOLT (L:115MM) | 4 | |
| 46 | 90201-13M01-00 | WASHER, PLATE | 8 | |
| 47 | 90201-12M05-00 | WASHER, PLATE | 4 | |
| 48 | 95380-12600-00 | NUT | 8 | |

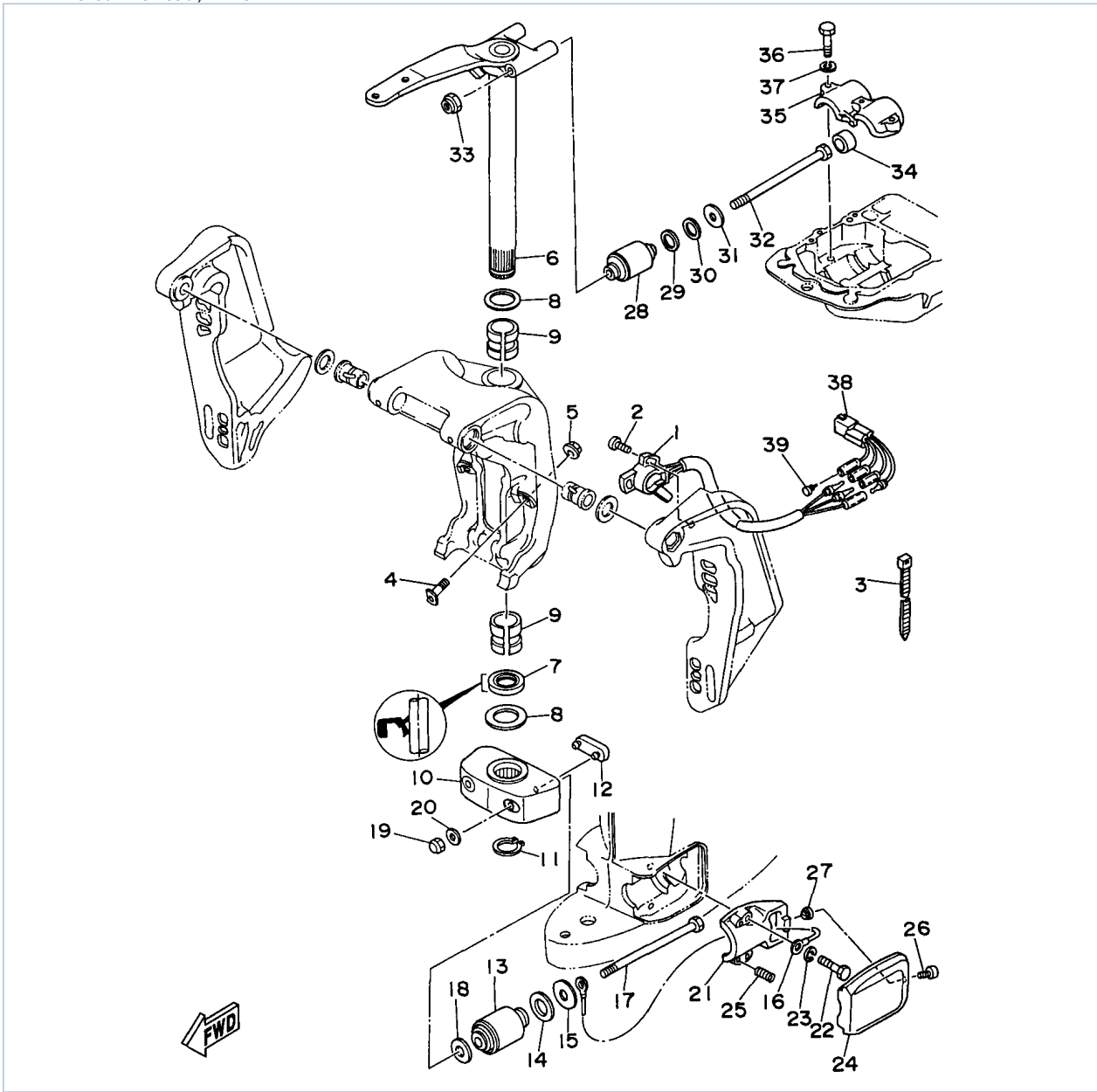
Part Notes

C150TLRU 1996 / BRACKET 1

| PART NUMBER | | NOTE TEXT |
|----------------|---|---|
| 92995-06100-00 |  | OEM: This part number is among the Top 100 Most Popular Marine Maintenance Parts as of August 2013. |
| 92990-06600-00 |  | OEM: This part number is among the Top 100 Most Popular Marine Maintenance Parts as of August 2013. |
| 92990-06600-00 |  | OEM: This part number is among the Top 100 Most Popular Marine Maintenance Parts as of August 2013. |
| 92990-10600-00 |  | OEM: This part number is among the Top 100 Most Popular Marine Maintenance Parts as of August 2013. |
| 93700-06M03-00 |  | OEM: This part number is among the Top 100 Most Popular Marine Maintenance Parts as of August 2013. |
| 93700-06M03-00 |  | OEM: This part number is among the Top 100 Most Popular Marine Maintenance Parts as of August 2013. |

©2013 Yamaha Motor Corporation, U.S.A. All rights reserved.

C150TLRU 1996 / BRACKET 2



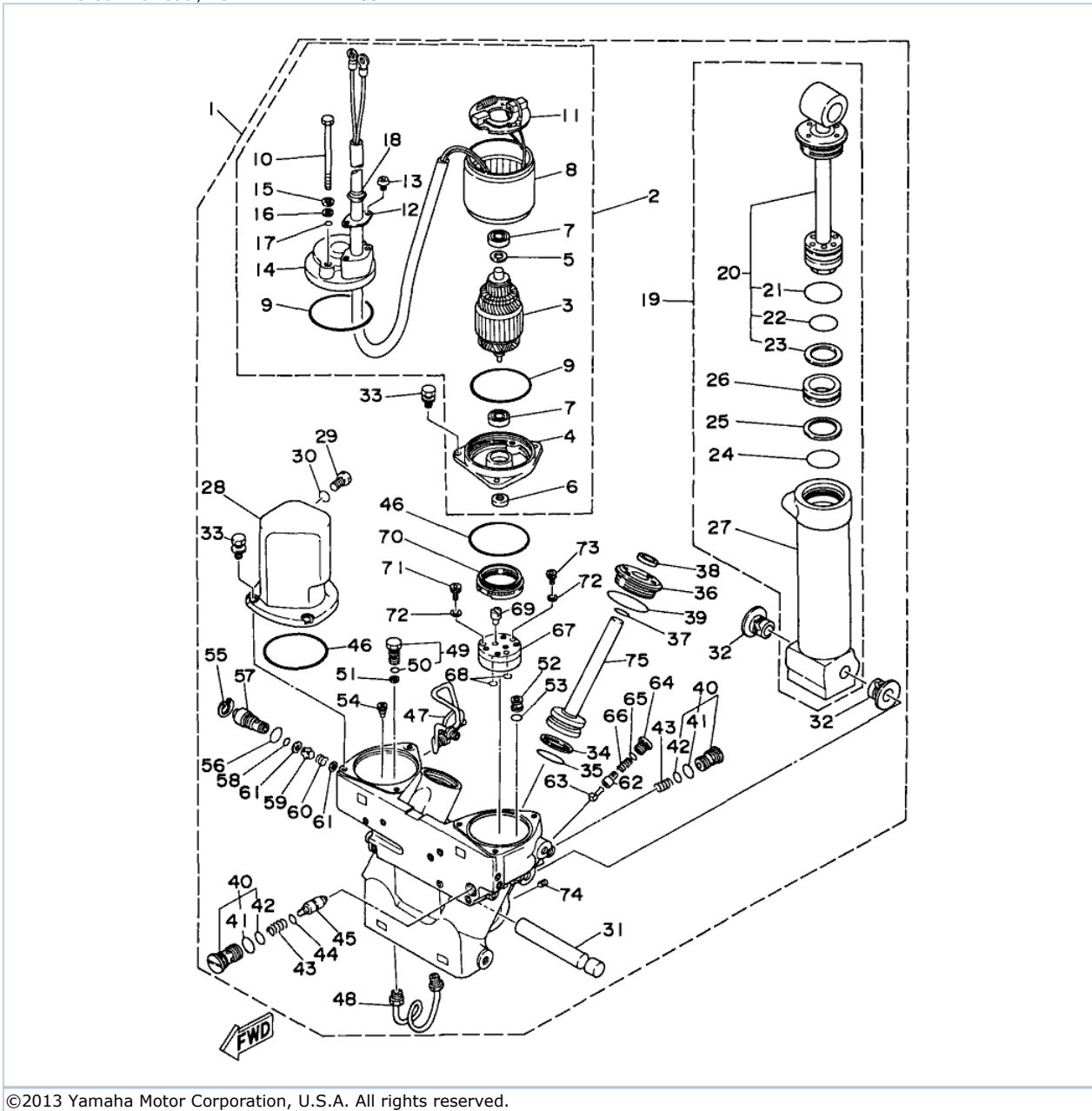
©2013 Yamaha Motor Corporation, U.S.A. All rights reserved.

Part List

C150TLRU 1996 / BRACKET 2

| REF - NO | PART NUMBER | PART NAME | QUANTITY | REMARKS |
|----------------|-----------------|--------------------------------|----------|---------------|
| 1 | 6R3-83672-01-00 | TRIM SENDER | 1 | |
| 2 | 97885-06016-00 | SCREW, PAN HEAD | 2 | |
| 3 | 90465-11M10-00 | CLAMP | 3 | |
| 4 | 6G5-43376-01-00 | BOLT, THRUST RECEIVER | 2 | |
| 5 | 95780-10300-00 | NUT, FLANGE | 2 | |
| 6 | 6E5-42510-04-8D | STEERING BRACKET ASSEMBLY | 1 | UR LONG |
| 6 | 6E5-42510-24-8D | STEERING BRACKET ASSEMBLY | 1 | UR ULTRA LONG |
| 7 | 93109-38M02-00 | OIL SEAL | 1 | |
| 8 | 90201-38M60-00 | WASHER, PLATE | 2 | |
| 9 | 90386-38M32-00 | BUSH | 2 | |
| 10 | 6G5-44551-01-8D | HOUSING, LOWER MOUNT RUBBER | 1 | |
| 11 | 93410-37M04-00 | CIRCLIP | 1 | |
| 12 | 6E5-44575-00-00 | DAMPER, LOWER MOUNT RUBBER | 1 | |
| 13 | 6G5-44555-00-94 | MOUNT DAMPER, LOWER SIDE | 2 | |
| 14 | 90202-32M19-00 | WASHER, PLATE | 2 | |
| 15 | 90201-16M55-00 | WASHER, PLATE | 2 | |
| 16 | 6E5-82149-00-00 | WIRE, LEAD 3 | 1 | |
| 17 | 90109-14M34-00 | BOLT | 2 | |
| 18 | 90201-15M58-00 | WASHER, PLATE | 2 | |
| 19 | 95380-14800-00 | NUT | 2 | |
| 20 | 92995-14600-00 | WASHER | 2 | |
| 21 | 6E5-44552-01-94 | HOUSING, LOWER MOUNT RUBBER | 2 | |
| 22 | 97095-10045-00 | BOLT | 4 | |
| 23 | 92990-10100-00 | WASHER, SPRING | 4 | |
| 24 | 6E5-44553-01-8D | COVER, LOWER MOUNT | 2 | |
| 25 | 90501-16M28-00 | SPRING, COMPRESSION | 4 | |
| 26 | 97885-06016-00 | SCREW, PAN HEAD | 2 | |
| 27 | 90179-06066-00 | NUT | 2 | |
| 28 | 6G5-44514-00-94 | MOUNT DAMPER, UPPER SIDE | 2 | |
| 29 | 90201-26M57-00 | WASHER, PLATE | 2 | |
| 30 | 90202-26M18-00 | WASHER, PLATE | 2 | |
| 31 | 90201-14M56-00 | WASHER, PLATE | 2 | |
| 32 | 90109-12M37-00 | BOLT | 2 | |
| 33 | 90185-12M12-00 | NUT, SELF-LOCKING | 2 | |
| 34 | 663-44575-00-00 | DAMPER, LOWER MOUNT RUBBER | 2 | |
| 35 | 6E5-44511-00-5B | COVER, UPPER MOUNT | 1 | |
| 36 | 97095-10045-00 | BOLT | 3 | |
| 37 | 92990-10100-00 | WASHER, SPRING | 3 | |
| 38 | 6N7-82541-00-00 | WIRE, LEAD | 1 | |
| 39 | 703-82119-00-00 | COVER, LEAD WIRE | 1 | |

C150TLRU 1996 / POWER TRIM TILT ASSEMBLY 1



©2013 Yamaha Motor Corporation, U.S.A. All rights reserved.

Part List


C150TLRU 1996 / POWER TRIM TILT ASSEMBLY 1

| REF - NO | PART NUMBER | PART NAME | QUANTITY | REMARKS |
|----------------|-----------------|---|----------|---------|
| 1 | 6G5-43800-06-4D | POWER TRIM & TILT ASSEMBLY | 1 | |
| 2 | 6G5-43880-02-00 | .MOTOR ASSEMBLY | 1 | |
| 3 | 6G5-43805-10-00 | ..ARMATURE ASSEMBLY | 1 | |
| 4 | 6G5-43881-10-00 | ..FRAME, END | 1 | |
| 5 | 6G5-4387G-10-00 | ..WASHER | 1 | |
| 6 | 93102-08M43-00 | ..OIL SEAL | 1 | |
| 7 | 93300-608U0-00 | ..BEARING | 2 | |
| 8 | 6G5-43804-00-00 | ..STATOR ASSY | 1 | |
| 9 | 6G5-43865-00-00 | ..O-RING | 2 | |
| 10 | 6G5-43887-00-00 | ..BOLT, THROUGH | 2 | |
| 11 | 6G5-43806-00-00 | ..BRUSH, HOLDER ASSY | 1 | |
| 12 | 6G5-43899-00-00 | ..PLATE, STOPPER | 1 | |
| 13 | 6G5-43886-00-00 | ..BOLT | 2 | |
| 14 | 6G5-43884-00-00 | ..FRAME, COMMUTATOR END | 1 | |
| 15 | 6G5-43893-00-00 | ..WASHER | 2 | |
| 16 | 6G5-43889-10-00 | ..PLATE SEAT | 2 | |
| 17 | 6G5-43867-00-00 | ..O-RING | 2 | |
| 18 | 6G5-43885-00-00 | ..GROMMET | 1 | |
| 19 | 6G5-4380E-01-00 | .TILT CYLINDER ASSEMBLY | 1 | |
| 20 | 6G5-43810-00-00 | ..PISTON SUB ASSEMBLY | 1 | |
| 21 | 6E5-43861-00-00 | ..O-RING | 1 | |
| 22 | 6G5-43862-00-00 | ..O-RING | 1 | |
| 23 | 6E5-43872-00-00 | ..RING, BACK UP | 1 | |
| 24 | 6G5-43862-00-00 | ..O-RING | 1 | |
| 25 | 6E5-43872-00-00 | ..RING, BACK UP | 1 | |
| 26 | 6E5-43814-02-00 | ..PISTON, FREE | 1 | |
| 27 | 6G5-43813-00-00 | ..CYLINDER, TILT | 1 | |
| 28 | 6G5-43828-00-00 | .BODY, RESERVOIR | 1 | |
| 29 | 6E5-43829-00-00 | .PLUG, RESERVOIR | 1 | |
| 30 | 6E5-43863-00-00 | .O-RING | 1 | |
| 31 | 6G5-43818-00-00 | .PIN, LOWER SHOCK MOUNT | 1 | |
| 32 | 90386-18M14-00 | .BUSH | 2 | |
| 33 | 90119-06M42-00 | .BOLT, WITH WASHER | 6 | |
| 34 | 6G5-43874-00-00 | .RING, BACK UP | 2 | |
| 35 | 6G5-43864-00-00 | .O-RING | 2 | |
| 36 | 6G5-43821-01-00 | .SCREW, TRIM CYLINDER END (6G5-43821-00-00) | 2 | |
| 37 | 6E5-43865-00-00 | .O-RING | 2 | |
| 38 | 6E5-43822-01-00 | .SEAL, TRIM DUST | 2 | |
| 39 | 6G5-43861-00-00 | .O-RING | 2 | |
| 40 | 6G5-43802-02-00 | .VALVE SUB ASSEMBLY | 2 | |
| 41 | 6E5-43866-00-00 | ..O-RING | 1 | |
| 42 | 6E5-43867-00-00 | ..O-RING | 1 | |
| 43 | 6G5-43894-01-00 | .SPRING, SHUTTLE RETURN | 2 | |
| 44 | 6E5-43868-00-00 | .O-RING | 1 | |
| 45 | 6G5-43841-01-00 | .PISTON, SHUTTLE | 1 | |
| 46 | 6E5-43869-00-00 | .O-RING | 2 | |
| 47 | 6G5-43835-00-00 | .PIPE | 1 | |
| 48 | 6G5-43833-00-00 | .PIPE | 1 | |
| 49 | 6G5-43809-01-00 | .SEAT, VALVE COMP 2 | 1 | |
| 50 | 6E5-43896-00-00 | ..O-RING | 1 | |
| 51 | 6G5-43816-00-00 | .FILTER 1 | 1 | |
| 52 | 6G5-43808-02-00 | .SEAT VALVE COMP 1 | 1 | |

| | | | | |
|----|-----------------|-------------------------|---|--|
| 53 | 6E5-43883-00-00 | .O-RING | 1 | |
| 54 | 6G5-43803-00-00 | .CASE VALVE COMP | 1 | |
| 55 | 6H1-43875-00-00 | .RING, SNAP | 1 | |
| 56 | 93210-18M75-00 | .O-RING | 1 | |
| 57 | 6G5-43845-00-00 | .SCREW, MANUAL RELEASE | 1 | |
| 58 | 93210-10M74-00 | .O-RING | 1 | |
| 59 | 6E5-4382A-00-00 | .ADAPTER 1 | 1 | |
| 60 | 6E5-43854-01-00 | .SPRING, MANUAL RELEASE | 1 | |
| 61 | 6E5-43847-00-00 | .SEAT, MANUAL VALVE | 2 | |
| 62 | 6G5-43849-00-00 | .PIN, VALVE SUPPORT | 1 | |
| 63 | 6G5-4381A-00-00 | .SHAFT | 1 | |
| 64 | 6G5-43842-00-00 | .SCREW, VALVE SEAT | 1 | |
| 65 | 6G5-43866-00-00 | .O-RING | 1 | |
| 66 | 6E5-43824-01-00 | .SPRING, COMPRESSION | 1 | |
| 67 | 6G5-43830-01-00 | .GEAR PUMP ASSEMBLY | 1 | |
| 68 | 6G5-43863-00-00 | .O-RING | 2 | |
| 69 | 6G5-43831-01-00 | .CONNECTOR, SHAFT | 1 | |
| 70 | 6G5-43817-00-00 | .FILTER 2 | 1 | |
| 71 | 6G5-43878-01-00 | .BOLT, SOCKET | 2 | |
| 72 | 90201-05M00-00 | .WASHER, PLATE | 3 | |
| 73 | 6G5-43888-01-00 | .BOLT, SOCKET | 1 | |
| 74 | 6G5-43878-10-00 | .BOLT, SOCKET | 1 | |
| 75 | 6G5-43820-01-00 | .PISTON SUB ASSEMBLY | 2 | |

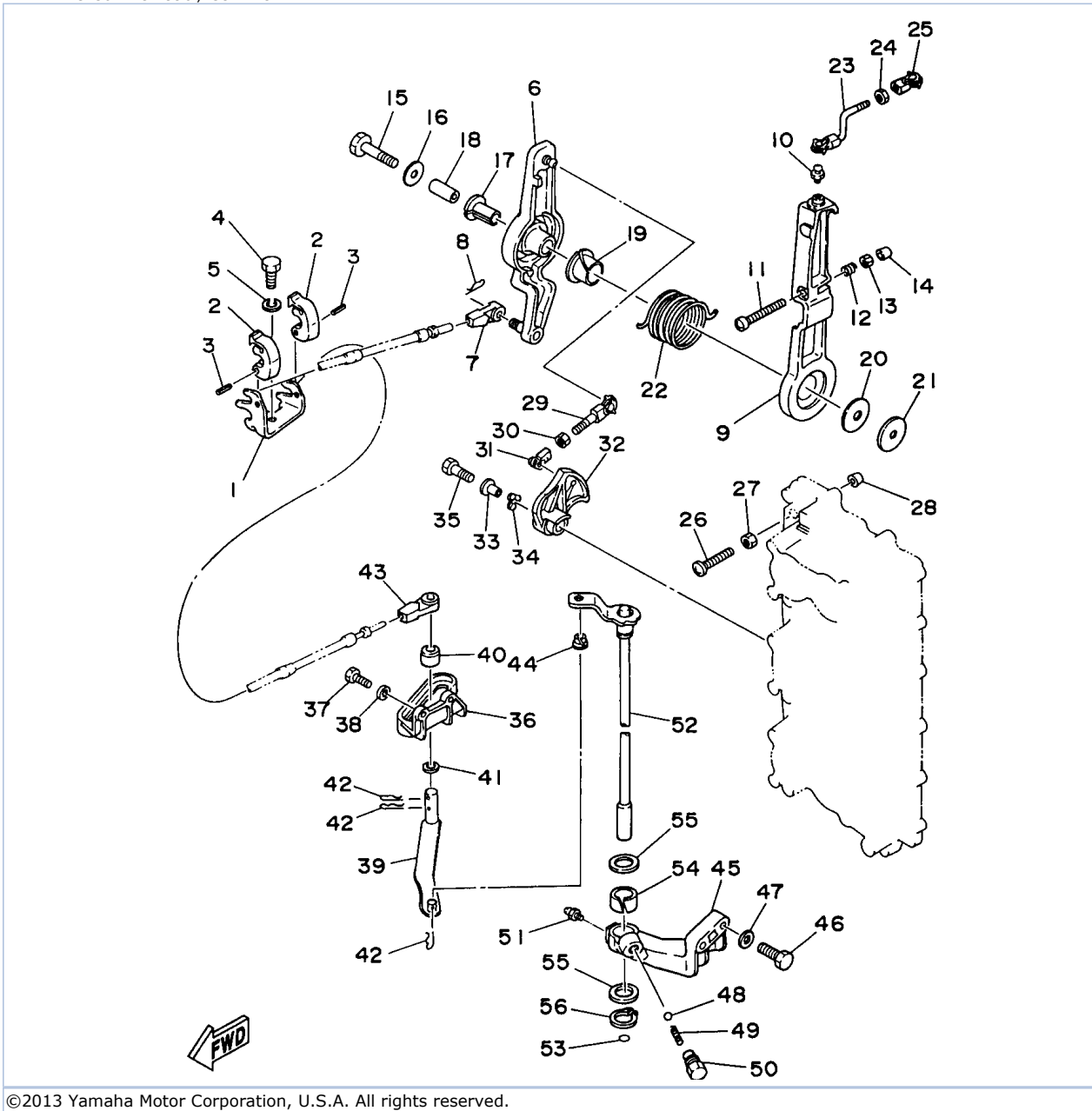
Part Notes

C150TLRU 1996 / POWER TRIM TILT ASSEMBLY 1

| PART NUMBER | NOTE TEXT |
|--|---|
| 6G5-43864-00-00  | OEM: This part number is among the Top 100 Most Popular Marine Maintenance Parts as of August 2013. |

©2013 Yamaha Motor Corporation, U.S.A. All rights reserved.

C150TLRU 1996 / CONTROL



©2013 Yamaha Motor Corporation, U.S.A. All rights reserved.

Part List





C150TLRU 1996 / CONTROL

| REF - NO | PART NUMBER | PART NAME | QUANTITY | REMARKS |
|----------------|-----------------|------------------------------|----------|---------|
| 1 | 6E5-48531-00-00 | BRACKET, REMOTE CONTROL 1 | 1 | |
| 2 | 6E5-48538-00-00 | CLAMP, CABLE | 2 | |
| 3 | 91690-30012-00 | PIN, SPRING | 2 | |
| 4 | 97095-08020-00 | BOLT | 1 | |
| 5 | 92990-08100-00 | WASHER, SPRING | 1 | |
| 6 | 61H-41632-02-94 | LEVER, MAGNETO CONTROL | 1 | |
| 7 | 6E5-48344-00-00 | CABLE END, REMOTE CONTROL | 1 | |
| 8 | 90468-18008-00 | CLIP | 1 | |
| 9 | 6G5-41631-01-94 | LEVER, MAGNETO CONTROL | 1 | |
| 10 | 663-85518-00-00 | JOINT, BALL | 1 | |
| 11 | 90157-06M11-00 | SCREW, PAN HEAD | 1 | |
| 12 | 90501-16M12-00 | SPRING, COMPRESSION | 1 | |
| 13 | 95380-06600-00 | NUT, HEXAGON | 1 | |
| 14 | 688-44194-00-00 | CAP | 1 | |
| 15 | 97313-08045-00 | BOLT, HEXAGON | 1 | |
| 16 | 90201-08M54-00 | WASHER, PLATE | 1 | |
| 17 | 90386-12089-00 | BUSH | 1 | |
| 18 | 90387-08M16-00 | COLLAR | 1 | |
| 19 | 90386-22M13-00 | BUSH | 1 | |
| 20 | 90202-12092-00 | WASHER, PLATE | 1 | |
| 21 | 90201-08M13-00 | WASHER, PLATE | 1 | |
| 22 | 90508-29M12-00 | SPRING, TORSION | 1 | |
| 23 | 6G5-41636-01-00 | ROD, MAGNETO CONTROL | 1 | |
| 24 | 95380-05600-00 | NUT | 1 | |
| 25 | 6H1-41237-00-00 | JOINT, LINK | 1 | |
| 26 | 90157-06M13-00 | SCREW, PAN HEAD | 1 | |
| 27 | 95380-06600-00 | NUT, HEXAGON | 1 | |
| 28 | 688-44194-00-00 | CAP | 1 | |
| 29 | 6G5-41211-01-00 | LINK, ACCEL. | 1 | |
| 30 | 95380-05600-00 | NUT | 1 | |
| 31 | 6H1-41237-00-00 | JOINT, LINK | 1 | |
| 32 | 6G5-41213-00-00 | CAM, ACCEL. | 1 | |
| 33 | 90387-06M29-00 | COLLAR | 1 | |
| 34 | 90206-10M04-00 | WASHER, WAVE | 1 | |
| 35 | 97095-06025-00 | BOLT | 1 | |
| 36 | 6E5-44117-00-94 | BRACKET | 1 | |
| 37 | 97095-06020-00 | BOLT | 2 | |
| 38 | 92990-06600-00 | WASHER, PLATE | 2 | |
| 39 | 6E5-44121-01-00 | LEVER, SHIFT ROD | 1 | |
| 40 | 6E5-44122-00-00 | BUSHING, SHIFT ROD LEVER | 1 | |
| 41 | 90202-08M20-00 | WASHER, PLATE | 1 | |
| 42 | 90468-18008-00 | CLIP | 3 | |
| 43 | 6E5-48344-00-00 | CABLE END, REMOTE CONTROL | 1 | |
| 44 | 90386-06M12-00 | BUSH | 1 | |
| 45 | 6E5-44118-01-94 | BRACKET | 1 | |
| 46 | 97013-08030-00 | BOLT | 2 | |
| 47 | 92990-08600-00 | .WASHER, PLATE | 2 | |
| 48 | 93501-04M02-00 | BALL | 1 | |
| 49 | 90501-12082-00 | SPRING, COMPRESSION | 1 | |
| 50 | 648-42715-00-00 | BUSHING | 1 | |
| 51 | 93700-06M03-00 | NIPPLE, GREASE | 1 | |

| | | | | |
|----|-----------------|------------------------|---|---------------|
| 52 | 6E5-44120-23-00 | HANDLE GEAR SHIFT ASSY | 1 | UR ULTRA LONG |
| 52 | 6E5-44120-03-00 | HANDLE GEAR SHIFT ASSY | 1 | UR LONG |
| 53 | 93210-09350-00 | O-RING | 1 | |
| 54 | 90386-16M66-00 | BUSH | 1 | |
| 55 | 90202-16061-00 | WASHER, PLATE | 2 | |
| 56 | 99009-16400-00 | CIRCLIP | 1 | |

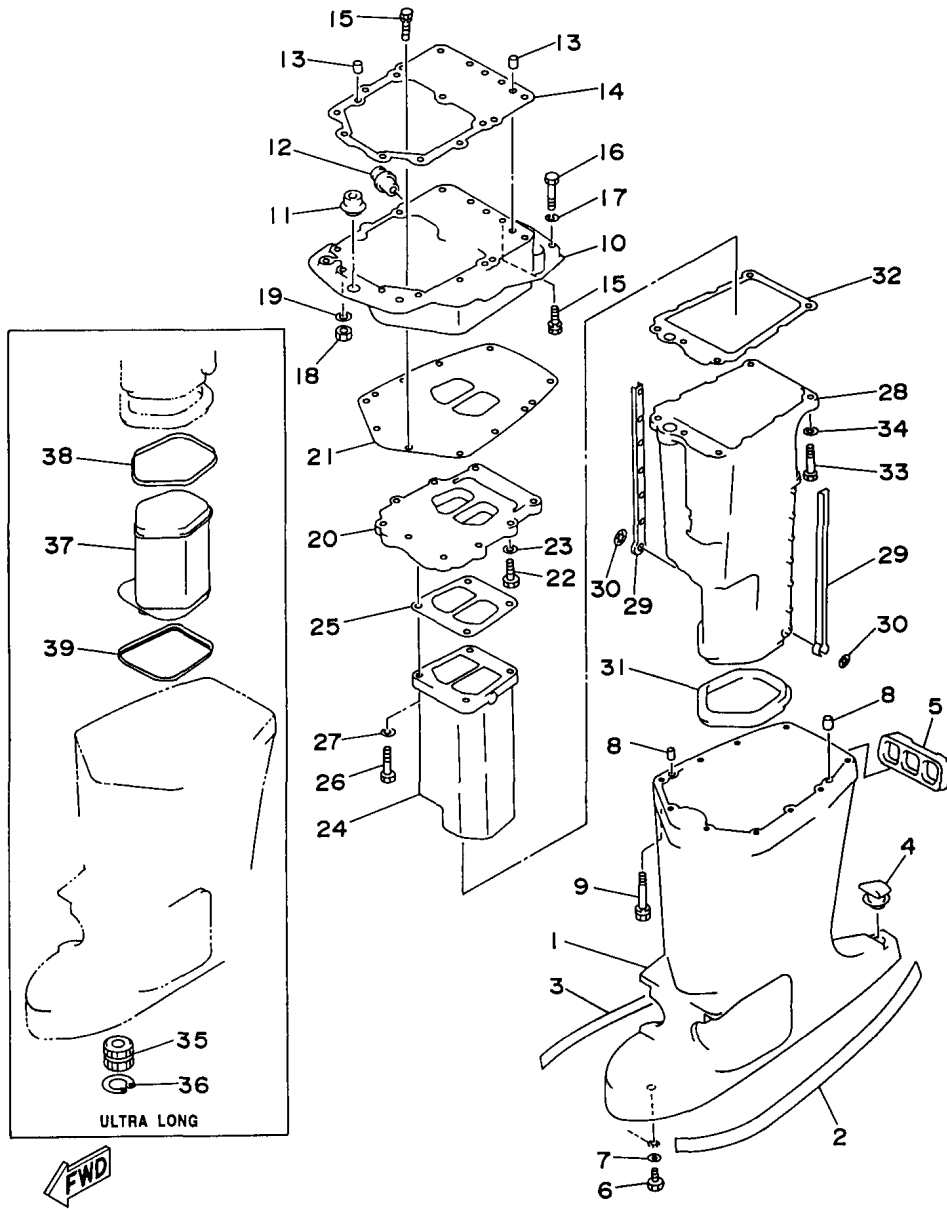
Part Notes

C150TLRU 1996 / CONTROL

| PART NUMBER | | NOTE TEXT |
|-----------------|---|---|
| 6H1-41237-00-00 |  | OEM: This part number is among the Top 100 Most Popular Marine Maintenance Parts as of August 2013. |
| 6H1-41237-00-00 |  | OEM: This part number is among the Top 100 Most Popular Marine Maintenance Parts as of August 2013. |
| 92990-06600-00 |  | OEM: This part number is among the Top 100 Most Popular Marine Maintenance Parts as of August 2013. |
| 93700-06M03-00 |  | OEM: This part number is among the Top 100 Most Popular Marine Maintenance Parts as of August 2013. |

©2013 Yamaha Motor Corporation, U.S.A. All rights reserved.

C150TLRU 1996 / UPPER CASING



©2013 Yamaha Motor Corporation, U.S.A. All rights reserved.


Part List

C150TLRU 1996 / UPPER CASING

| REF - NO | PART NUMBER | PART NAME | QUANTITY | REMARKS |
|----------|-----------------|---------------------------|----------|---------------|
| 1 | 6E5-45111-01-8D | CASING, UPPER | 1 | UR LONG |
| 1 | 6E5-45111-22-8D | CASING, UPPER | 1 | UR ULTRA LONG |
| 2 | 6R3-42791-41-00 | MARK 1 | 1 | |
| 3 | 6R3-42792-41-00 | MARK 2 | 1 | |
| 4 | 6E5-45155-00-00 | CAP | 1 | |
| 5 | 6E5-42769-00-00 | SEAL, RUBBER | 1 | |
| 6 | 97095-06010-00 | BOLT | 1 | |
| 7 | 92990-06600-00 | WASHER, PLATE | 1 | |
| 8 | 93608-12M05-00 | PIN, DOWEL | 2 | |
| 9 | 90119-08M78-00 | BOLT, WITH WASHER | 6 | |
| 10 | 6G5-41137-02-94 | GUIDE, EXHAUST | 1 | |
| 11 | 6E5-42724-00-00 | GROMMET | 1 | |
| 12 | 6G5-12581-00-00 | JOINT, HOSE 1 | 1 | |
| 13 | 93608-12M05-00 | PIN, DOWEL | 2 | |
| 14 | 6G5-45113-A1-00 | .GASKET, UPPER CASING | 1 | |
| 15 | 90119-08M79-00 | BOLT, WITH WASHER | 6 | |
| 16 | 97095-08045-00 | .BOLT | 2 | |
| 17 | 92990-08100-00 | WASHER, SPRING | 2 | |
| 18 | 95380-08700-00 | NUT | 2 | |
| 19 | 92990-08100-00 | WASHER, SPRING | 2 | |
| 20 | 6G5-41131-01-5B | MANIFOLD, EXT. 1 | 1 | |
| 21 | 6G5-45114-A0-00 | GASKET, UPPER CASING | 1 | |
| 22 | 97095-08030-00 | BOLT | 4 | |
| 23 | 92990-08600-00 | .WASHER, PLATE | 4 | |
| 24 | 64D-41132-00-5B | MANIFOLD, EXHAUST | 1 | |
| 25 | 6G5-41134-A0-00 | .GASKET, EXHAUST MANIFOLD | 1 | |
| 26 | 97095-08045-00 | .BOLT | 4 | |
| 27 | 92990-08600-00 | .WASHER, PLATE | 4 | |
| 28 | 6E5-14711-01-5B | MUFFLER 1 | 1 | |
| 29 | 6E5-14737-00-00 | DAMPER, MUFFLER | 2 | |
| 30 | 90183-05M02-00 | NUT, SPRING | 2 | |
| 31 | 6E5-45123-00-00 | .GASKET, MUFFLER | 1 | |
| 32 | 6E5-41135-A0-00 | .GASKET, EXHAUST MANIFOLD | 1 | |
| 33 | 97095-08045-00 | .BOLT | 5 | |
| 34 | 92990-08600-00 | .WASHER, PLATE | 5 | |
| 35 | 6E5-45318-00-00 | BUSHING, DRIVE SHAFT | 1 | ULTRA LONG |
| 36 | 93420-36M01-00 | CIRCLIP | 1 | ULTRA LONG |
| 37 | 64D-14721-20-5B | MUFFLER 2 | 1 | ULTRA LONG |
| 38 | 64D-45123-00-00 | GASKET, MUFFLER | 1 | ULTRA LONG |
| 39 | 64D-45375-00-00 | DAMPER, SEAL | 1 | ULTRA LONG |

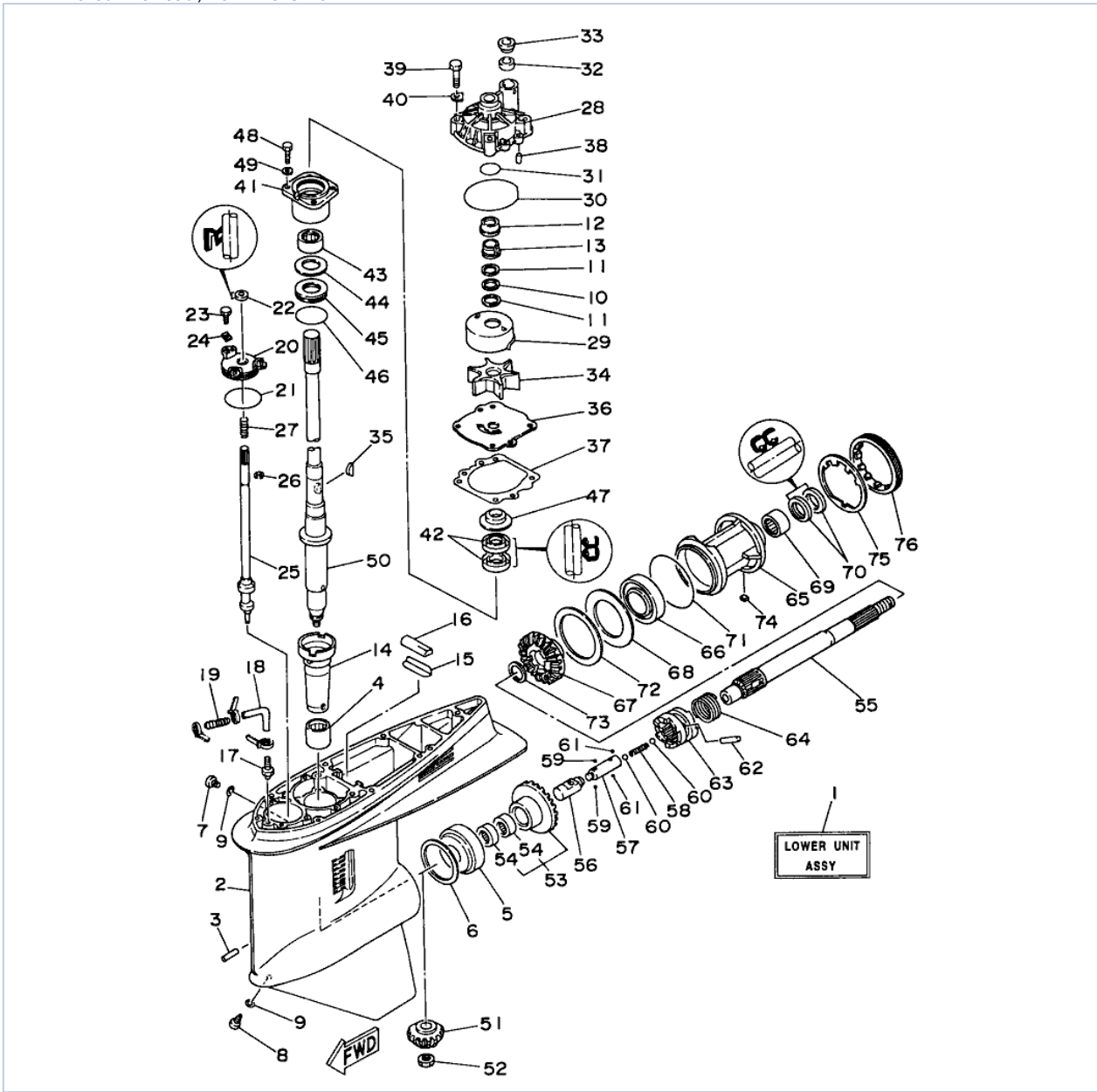
Part Notes

C150TLRU 1996 / UPPER CASING

| PART NUMBER | NOTE TEXT |
|--|---|
| 92990-06600-00  | OEM: This part number is among the Top 100 Most Popular Marine Maintenance Parts as of August 2013. |

©2013 Yamaha Motor Corporation, U.S.A. All rights reserved.

C150TLRU 1996 / LOWER CASING DRIVE 1



©2013 Yamaha Motor Corporation, U.S.A. All rights reserved.

Part List






C150TLRU 1996 / LOWER CASING DRIVE 1

| REF - NO | PART NUMBER | PART NAME | QUANTITY | REMARKS |
|----------|-----------------|---------------------------|----------|---------------|
| 1 | 6G5-45300-24-8D | LOWER UNIT ASSEMBLY | 1 | UR ULTRA LONG |
| 1 | 6G5-45300-14-8D | LOWER UNIT ASSEMBLY | 1 | UR LONG |
| 2 | 6J9-45301-03-8D | CASING, LOWER | 1 | |
| 3 | 91690-30016-00 | PIN, SPRING | 1 | |
| 4 | 93311-928U5-00 | BEARING | 1 | |
| 5 | 93332-000V3-00 | BEARING | 1 | |
| 6 | 6G5-45567-01-12 | SHIM (T:0.12MM) | 1 | UR |
| 6 | 6G5-45567-01-30 | SHIM (T:0.30MM) | 1 | UR |
| 6 | 6G5-45567-01-40 | SHIM (T:0.40MM) | 1 | UR |
| 6 | 6G5-45567-01-50 | SHIM (T:0.50MM) | 1 | UR |
| 6 | 6G5-45567-01-10 | SHIM (T:0.10MM) | 1 | UR |
| 6 | 6G5-45567-01-15 | SHIM (T:0.15MM) | 1 | UR |
| 6 | 6G5-45567-01-18 | SHIM (T:0.18MM) | 1 | UR |
| 7 | 90340-08M04-00 | PLUG, STRAIGHT SCREW | 1 | |
| 8 | 688-45341-00-00 | PLUG, DRAIN | 1 | |
| 9 | 90430-08020-00 | .GASKET | 2 | |
| 10 | 90206-22M19-00 | WASHER, WAVE | 1 | |
| 11 | 90201-22M01-00 | WASHER, PLATE | 2 | |
| 12 | 61A-45527-00-00 | COLLAR, DRIVE SHAFT | 1 | |
| 13 | 61A-45538-00-00 | SPACER 1 | 1 | |
| 14 | 6G5-45536-01-00 | SLEEVE, DRIVE SHAFT | 1 | |
| 15 | 663-45376-00-94 | GUIDE, SEAL DAMPER | 1 | UR LONG |
| 15 | 64D-45376-00-94 | GUIDE, SEAL DAMPER | 1 | UR ULTRA LONG |
| 16 | 688-45375-00-00 | DAMPER, SEAL | 1 | |
| 17 | 6E5-45378-00-00 | NIPPLE, HOSE | 1 | |
| 18 | 90445-07ME9-00 | HOSE (L120) | 1 | UR ULTRA LONG |
| 18 | 90445-07ME8-00 | HOSE (L80) | 1 | UR LONG |
| 19 | 6E5-83558-10-00 | END, NIPPLE | 1 | |
| 20 | 6E5-45321-00-00 | PLATE | 1 | |
| 21 | 93210-58677-00 | O-RING | 1 | |
| 22 | 93106-09014-00 | .OIL SEAL | 1 | |
| 23 | 97095-06020-00 | BOLT | 3 | |
| 24 | 90209-06M04-00 | WASHER | 3 | |
| 25 | 6G5-44150-01-00 | SHIFT CAM ASSY | 1 | |
| 26 | 99001-08600-00 | CIRCLIP | 1 | |
| 27 | 90501-11M10-00 | SPRING, COMPRESSION | 1 | |
| 28 | 61A-44311-01-00 | HOUSING, WATER PUMP | 1 | |
| 29 | 61A-44322-01-00 | INSERT, CARTRIDGE | 1 | |
| 30 | 93210-86M38-00 | .O-RING | 1 | |
| 31 | 93210-37M67-00 | O-RING | 1 | |
| 32 | 6E5-44365-00-00 | DAMPER, WATER SEAL 1 | 1 | |
| 33 | 6E5-44312-00-00 | COVER, WATER PUMP HOUSING | 1 | |
| 34 | 6E5-44352-00-00 | IMPELLER | 1 | |
| 35 | 90280-04M05-00 | .KEY, WOODRUFF | 1 | |
| 36 | 6G5-44323-00-00 | .OUTER PLATE, CARTRIDGE | 1 | |
| 37 | 6E5-44315-A0-00 | .GASKET, WATER PUMP | 1 | |
| 38 | 93606-12019-00 | .PIN, DOWEL | 2 | |
| 39 | 97095-08045-00 | .BOLT | 4 | |
| 40 | 90209-08M02-00 | WASHER | 4 | |
| 41 | 6E5-45331-00-94 | HOUSING, BEARING | 1 | |
| 42 | 93101-28M16-00 | .OIL SEAL | 2 | |
| 43 | 93315-430V5-00 | .BEARING | 1 | |
| 44 | 6E5-45587-01-12 | SHIM (T:0.12MM) | 1 | UR |

| | | | | |
|----|-----------------|---------------------|---|---------------|
| 44 | 6E5-45587-01-30 | SHIM (T:0.30MM) | 1 | UR |
| 44 | 6E5-45587-01-50 | SHIM (T:0.50MM) | 1 | UR |
| 44 | 6E5-45587-01-10 | SHIM (T:0.10MM) | 1 | UR |
| 44 | 6E5-45587-01-15 | SHIM (T:0.15MM) | 1 | UR |
| 44 | 6E5-45587-01-18 | SHIM (T:0.18MM) | 1 | UR |
| 44 | 6E5-45587-01-40 | SHIM (T:0.40MM) | 1 | UR |
| 45 | 93341-930V2-00 | BEARING | 1 | |
| 46 | 93210-54534-00 | O-RING | 1 | |
| 47 | 6E5-45344-00-00 | COVER, OIL SEAL | 1 | |
| 48 | 97095-08025-00 | BOLT | 4 | |
| 49 | 92990-08600-00 | .WASHER, PLATE | 4 | |
| 50 | 6G5-45501-01-00 | DRIVE SHAFT COMP. | 1 | UR LONG |
| 50 | 6G5-45501-21-00 | DRIVE SHAFT COMP. | 1 | UR ULTRA LONG |
| 51 | 6G5-45551-01-00 | PINION (14T) | 1 | |
| 52 | 90170-16M01-00 | NUT | 1 | |
| 53 | 6G5-45560-01-00 | GEAR 1 (26T) | 1 | |
| 54 | 93315-425V3-00 | .BEARING | 2 | |
| 55 | 6J9-45611-01-00 | SHAFT, PROPELLER | 1 | |
| 56 | 6E5-45641-01-00 | SHIFTER | 1 | |
| 57 | 6E5-45634-01-00 | SLIDE, SHIFT | 1 | |
| 58 | 90501-16M37-00 | SPRING, COMPRESSION | 1 | |
| 59 | 93507-32031-00 | BALL 7-32 | 2 | |
| 60 | 93511-32027-00 | BALL | 2 | |
| 61 | 93503-16010-00 | BALL 3-16 | 2 | |
| 62 | 90250-08M07-00 | PIN, STRAIGHT | 1 | |
| 63 | 6G5-45631-00-00 | CLUTCH, DOG | 1 | |
| 64 | 6E5-45633-01-00 | RING, CROSS PIN | 1 | |
| 65 | 6J9-45332-00-94 | HOUSING, BEARING | 1 | |
| 66 | 93306-209U0-00 | BEARING | 1 | |
| 67 | 6G5-45571-02-00 | GEAR 2 (26T) | 1 | |
| 68 | 6G5-45576-00-00 | WASHER, THRUST | 1 | |
| 69 | 93315-430U8-00 | BEARING | 1 | |
| 70 | 93101-30M17-00 | .OIL SEAL | 2 | |
| 71 | 93210-97M55-00 | .O-RING | 1 | |
| 72 | 6G5-45577-02-12 | SHIM (T:0.12MM) | 1 | UR |
| 72 | 6G5-45577-02-30 | SHIM (T:0.30MM) | 1 | UR |
| 72 | 6G5-45577-02-50 | SHIM (T:0.50MM) | 1 | UR |
| 72 | 6G5-45577-02-10 | SHIM (T:0.10MM) | 1 | UR |
| 72 | 6G5-45577-02-15 | SHIM (T:0.15MM) | 1 | UR |
| 72 | 6G5-45577-02-18 | SHIM (T:0.18MM) | 1 | UR |
| 72 | 6G5-45577-02-40 | SHIM (T:0.40MM) | 1 | UR |
| 73 | 90201-30M92-00 | WASHER, PLATE | 1 | |
| 74 | 90282-04M00-00 | KEY, STRAIGHT | 1 | |
| 75 | 6G5-45383-01-00 | WASHER, CLAW | 1 | |
| 76 | 6G5-45384-00-00 | NUT | 1 | |

Part Notes

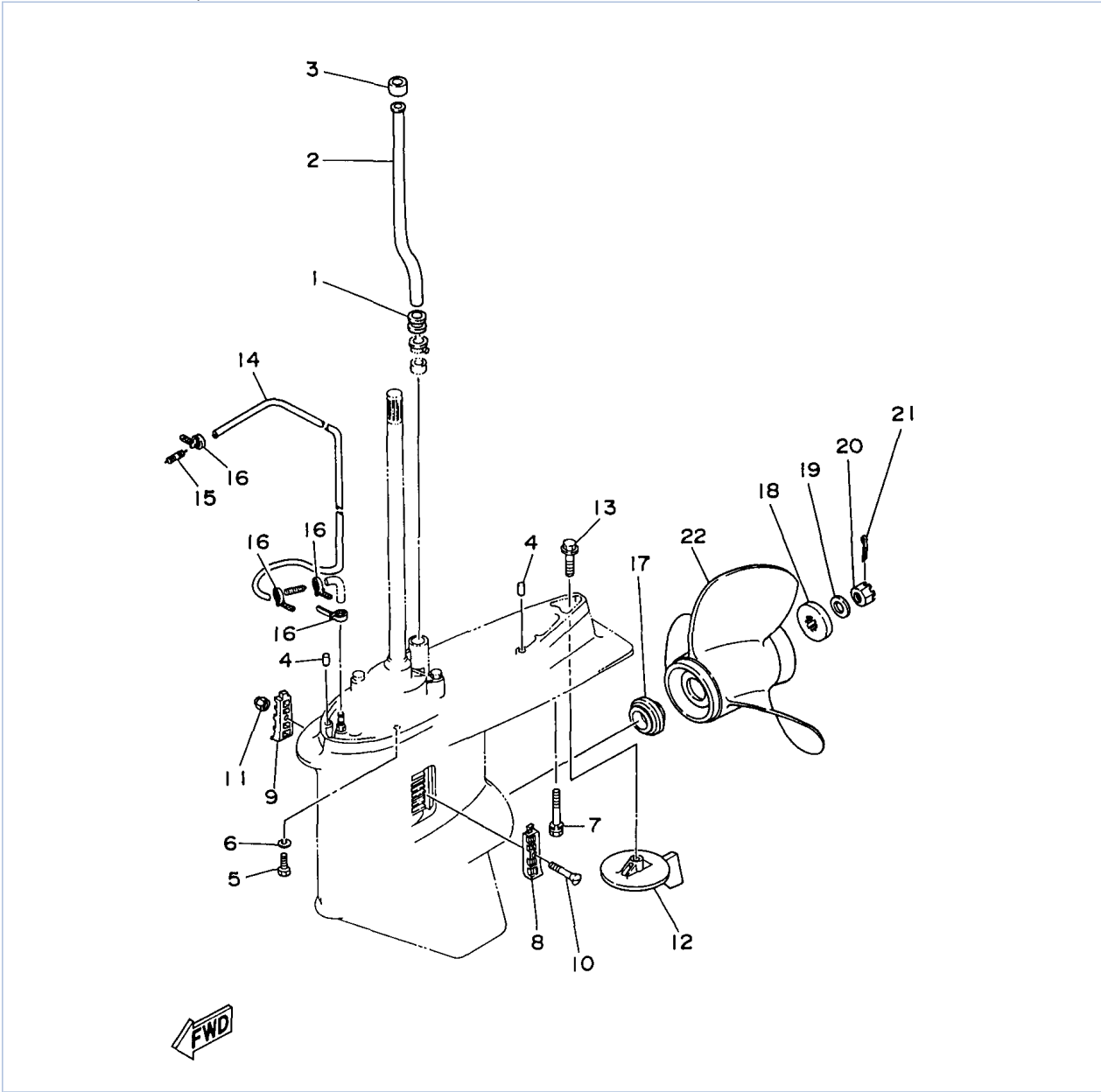
C150TLRU 1996 / LOWER CASING DRIVE 1

| PART NUMBER | | NOTE TEXT |
|-----------------|---|---|
| 90430-08020-00 |  | OEM: This part number is among the Top 100 Most Popular Marine Maintenance Parts as of August 2013. |
| 90201-22M01-00 |  | OEM: This part number is among the Top 100 Most Popular Marine Maintenance Parts as of August 2013. |
| 61A-45527-00-00 |  | OEM: This part number is among the Top 100 Most Popular Marine Maintenance Parts as of August 2013. |
| 61A-45538-00-00 |  | OEM: This part number is among the Top 100 Most Popular Marine Maintenance Parts as of August 2013. |
| 93106-09014-00 |  | OEM: This part number is among the Top 100 Most Popular Marine Maintenance Parts as of August 2013. |
| 61A-44311-01-00 | | OEM: This part number is among the Top 100 Most Popular Marine Maintenance Parts as of August 2013. |

| | | |
|----------------|---|---|
| |  | |
| 93210-86M38-00 |  | OEM: This part number is among the Top 100 Most Popular Marine Maintenance Parts as of August 2013. |
| 93101-28M16-00 |  | OEM: This part number is among the Top 100 Most Popular Marine Maintenance Parts as of August 2013. |
| 93210-54534-00 |  | OEM: This part number is among the Top 100 Most Popular Marine Maintenance Parts as of August 2013. |
| 93101-30M17-00 |  | OEM: This part number is among the Top 100 Most Popular Marine Maintenance Parts as of August 2013. |

©2013 Yamaha Motor Corporation, U.S.A. All rights reserved.

C150TLRU 1996 / LOWER CASING DRIVE 2



©2013 Yamaha Motor Corporation, U.S.A. All rights reserved.



Part List

C150TLRU 1996 / LOWER CASING DRIVE 2

| REF - NO | PART NUMBER | PART NAME | QUANTITY | REMARKS |
|----------|-----------------|--------------------------------------|----------|---------------|
| 1 | 6E5-44366-00-00 | DAMPER, WATER SEAL 2 | 1 | |
| 2 | 6E5-44361-20-00 | TUBE, WATER 1 | 1 | UR ULTRA LONG |
| 2 | 6E5-44361-00-00 | TUBE, WATER 1 | 1 | UR LONG |
| 3 | 6E5-44365-00-00 | DAMPER, WATER SEAL 1 | 1 | |
| 4 | 93608-12M05-00 | PIN, DOWEL | 2 | |
| 5 | 97095-10045-00 | BOLT | 6 | |
| 6 | 92990-10100-00 | WASHER, SPRING | 6 | |
| 7 | 90119-10M89-00 | BOLT, WITH WASHER | 1 | |
| 8 | 6J9-45214-00-00 | COVER, WATER INLET 1 | 1 | |
| 9 | 6J9-45215-00-00 | COVER, WATER INLET 2 | 1 | |
| 10 | 90142-05M04-00 | SCREW | 1 | |
| 11 | 90185-05904-00 | NUT, SELF-LOCKING | 1 | |
| 12 | 6J9-45371-01-00 | TAB-TRIM | 1 | |
| 13 | 90105-10M67-00 | BOLT, FLANGE | 1 | |
| 14 | 90445-07MF0-00 | HOSE (L1030) | 1 | |
| 15 | 6E5-83558-00-00 | END, NIPPLE | 1 | |
| 16 | 90465-11M10-00 | CLAMP | 4 | |
| 17 | 6E5-45987-01-00 | SPACER 1 | 1 | |
| 18 | 688-45997-01-00 | SPACER 2 | 1 | |
| 19 | 92990-18200-00 | WASHER | 1 | |
| 20 | 90171-18M04-00 | NUT, CASTLE | 1 | |
| 21 | 91490-40030-00 | PIN, COTTER | 1 | |
| 22 | 6G5-45952-00-98 | PROPELLER (3X14-5/8"X16"-M) | 1 | UR ALUM. |
| 22 | 6G5-45947-01-98 | PROPELLER (3X14-1/2"X17"-M) | 1 | UR ALUM. |
| 22 | 6G5-45970-02-98 | PROPELLER (3X15-1/4"X15"-M) | 1 | UR S/S |
| 22 | 6G5-45932-00-98 | PROPELLER (3X15-3/4"X13"-M) | 1 | UR S/S |
| 22 | 6G5-45974-03-98 | PROPELLER (3X13-3/4"X19"-M2) | 1 | UR S/S |
| 22 | 6G5-45945-01-98 | PROPELLER (3X14"X19"-M) | 1 | UR ALUM. |
| 22 | 6G5-45941-00-98 | PROPELLER (3X15-1/4"X15"-M) | 1 | UR ALUM. |
| 22 | 6G5-45930-00-98 | PROPELLER (3X13-3/8"X25"-M) | 1 | UR S/S |
| 22 | 6G5-45978-02-98 | PROPELLER ASSY (3 X 13-3/4" X 17"-M) | 1 | UR S/S |
| 22 | 6G5-45949-00-98 | PROPELLER (3X13-1/2"X23"-M) | 1 | UR ALUM. |
| 22 | 6G5-45972-02-98 | PROPELLER (3X13-3/4"X21"-M) | 1 | UR S/S |
| 22 | 6G5-45976-01-98 | PROPELLER (3X13-3/8"X23"-M) | 1 | UR S/S |

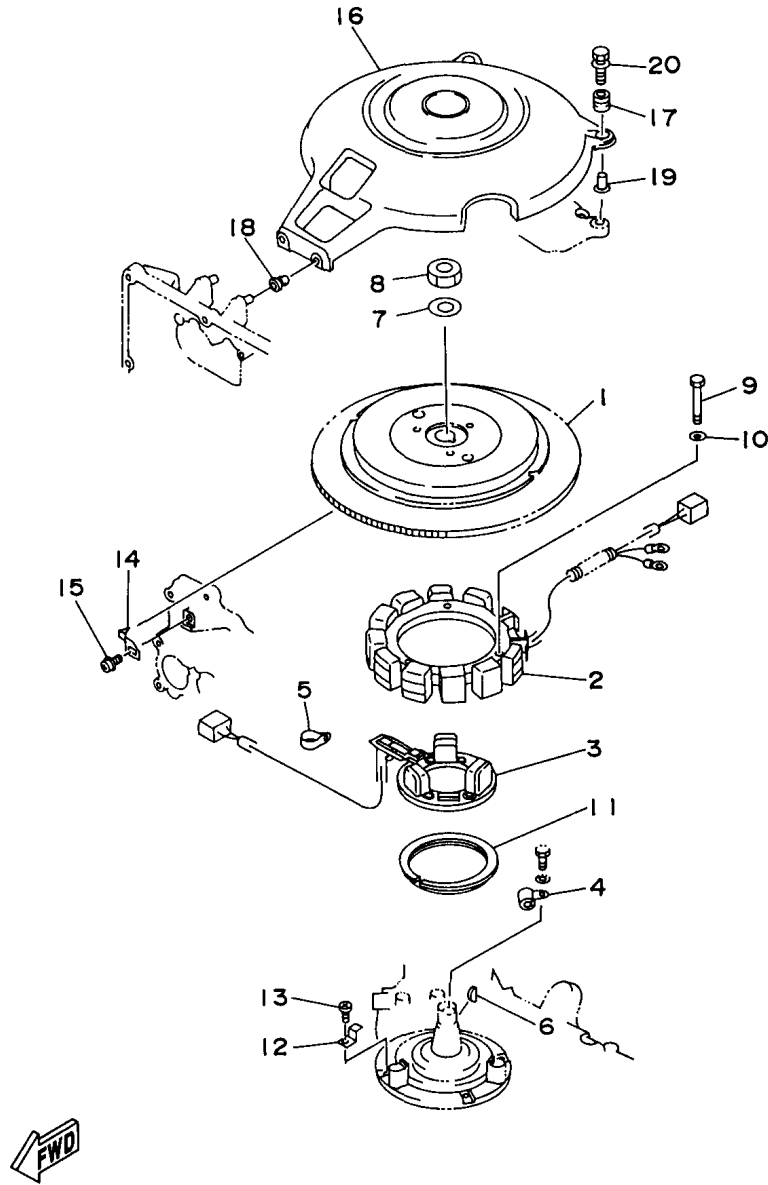
Part Notes

C150TLRU 1996 / LOWER CASING DRIVE 2

| PART NUMBER | NOTE TEXT |
|---|---|
| 6J9-45371-01-00  | OEM: This part number is among the Top 100 Most Popular Marine Maintenance Parts as of August 2013. |
| 91490-40030-00  | OEM: This part number is among the Top 100 Most Popular Marine Maintenance Parts as of August 2013. |

©2013 Yamaha Motor Corporation, U.S.A. All rights reserved.

C150TLRU 1996 / GENERATOR



©2013 Yamaha Motor Corporation, U.S.A. All rights reserved.


Part List

C150TLRU 1996 / GENERATOR

| REF - NO | PART NUMBER | PART NAME | QUANTITY | REMARKS |
|----------------|-----------------|------------------------|----------|---------|
| 1 | 6G6-85550-00-00 | ROTOR ASSEMBLY | 1 | |
| 2 | 6G6-85510-00-00 | STATOR ASSEMBLY | 1 | |
| 3 | 6G6-85580-00-00 | COIL, PULSER | 1 | |
| 4 | 90465-08028-00 | CLAMP | 1 | |
| 5 | 90464-12M00-00 | CLAMP | 1 | |
| 6 | 90280-05049-00 | KEY, WOODRUFF | 1 | |
| 7 | 90201-21M18-00 | WASHER, PLATE | 1 | |
| 8 | 90170-20137-00 | NUT | 1 | |
| 9 | 97013-06060-00 | BOLT | 3 | |
| 10 | 92990-06600-00 | WASHER, PLATE | 3 | |
| 11 | 688-41611-00-00 | RETAINER, MAGNETO BASE | 1 | |
| 12 | 688-41612-00-00 | RETAINER, MAGNETO BASE | 4 | |
| 13 | 97880-06018-00 | SCREW, PAN HEAD | 4 | |
| 14 | 6E5-81332-00-00 | PLATE, TIMING | 1 | |
| 15 | 97985-06210-00 | SCREW, WITH WASHER | 1 | |
| 16 | 6E5-81337-01-00 | COVER, FLYWHEEL | 1 | |
| 17 | 6G5-82317-00-00 | DAMPER, IGNITION COIL | 2 | |
| 18 | 6A0-82317-00-00 | DAMPER, IGNITION COIL | 2 | |
| 19 | 624-42542-00-00 | PIPE | 2 | |
| 20 | 90119-06M59-00 | BOLT, WITH WASHER | 2 | |

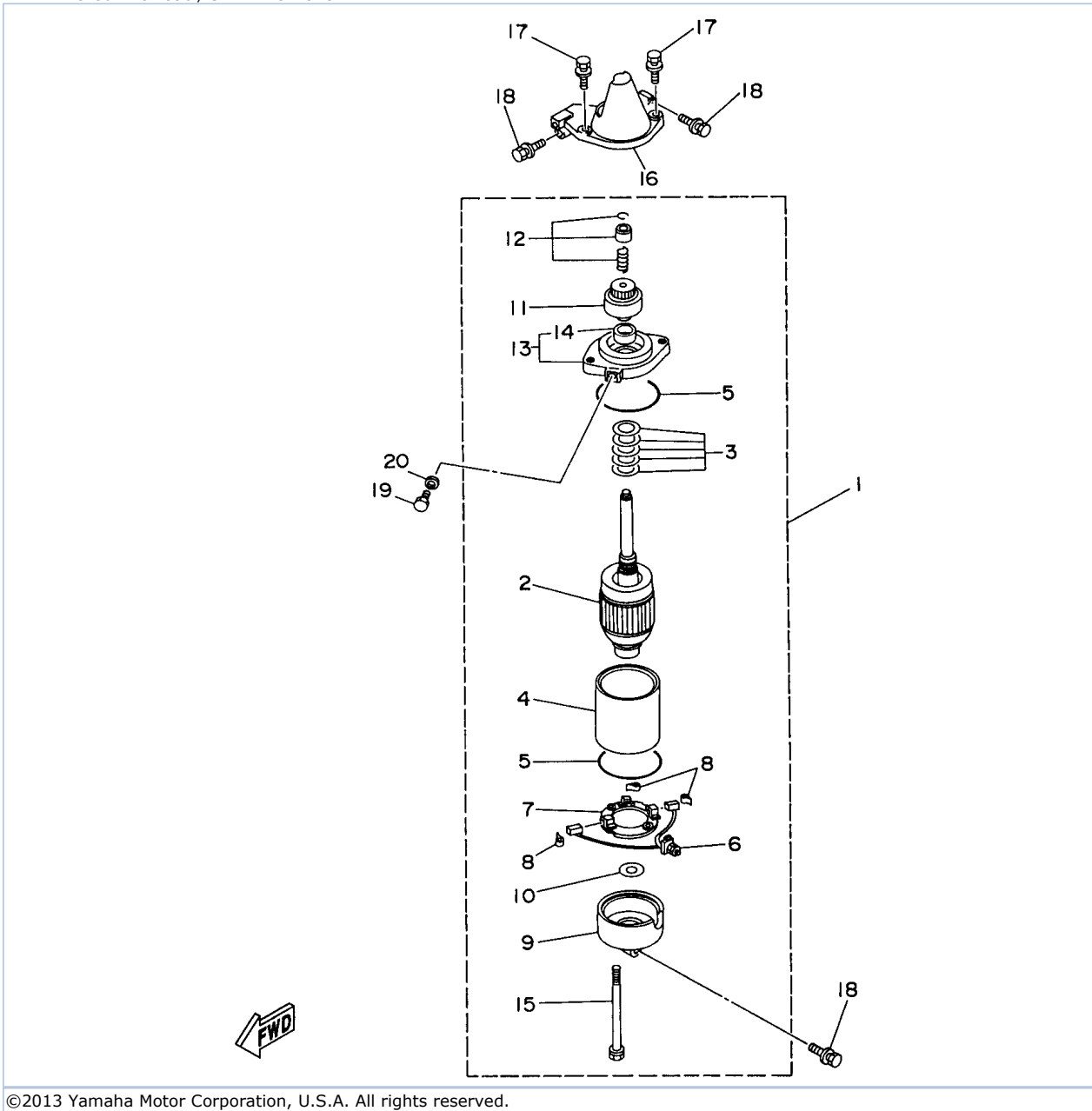
Part Notes

C150TLRU 1996 / GENERATOR

| PART NUMBER | NOTE TEXT |
|--|---|
| 92990-06600-00  | OEM: This part number is among the Top 100 Most Popular Marine Maintenance Parts as of August 2013. |

©2013 Yamaha Motor Corporation, U.S.A. All rights reserved.

C150TLRU 1996 / STARTING MOTOR



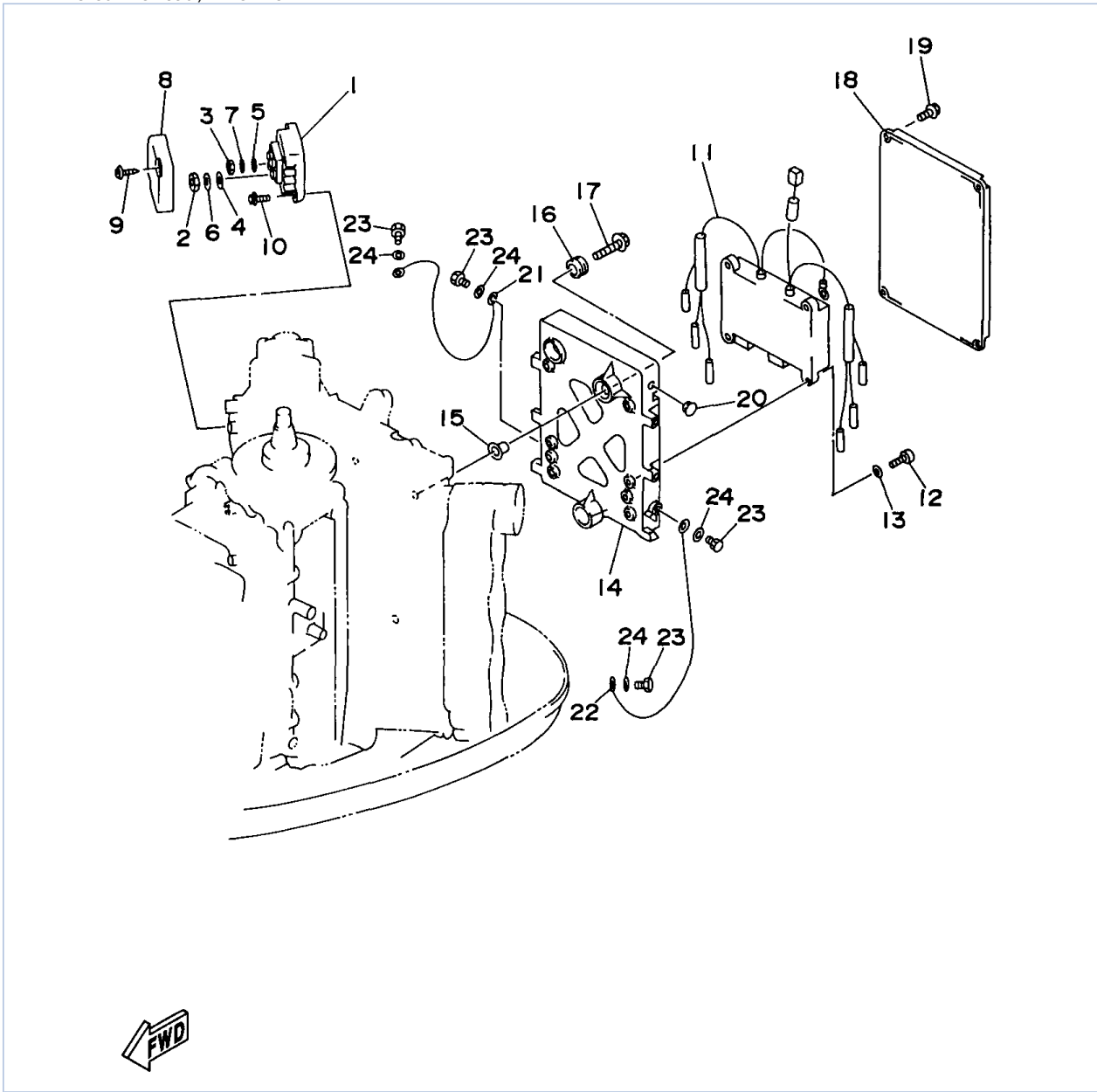
©2013 Yamaha Motor Corporation, U.S.A. All rights reserved.

Part List

C150TLRU 1996 / STARTING MOTOR

| REF - NO | PART NUMBER | PART NAME | QUANTITY | REMARKS |
|----------------|-----------------|-------------------------------|----------|---------|
| 1 | 6E5-81800-12-00 | STARTER MOTOR ASSY | 1 | |
| 2 | 6E5-81850-11-00 | .ARMATURE ASSY | 1 | |
| 3 | 6E5-81809-10-00 | .WASHER KIT | 1 | |
| 4 | 6E5-81810-10-00 | .STATOR ASSY | 1 | |
| 5 | 6E5-81847-10-00 | .O-RING | 2 | |
| 6 | 6E5-81801-10-00 | .BRUSH SET | 1 | |
| 7 | 6E5-81840-10-00 | .BRUSH HOLDER ASSY | 1 | |
| 8 | 6E5-81813-10-00 | .SPRING, BRUSH | 3 | |
| 9 | 6E5-81820-11-00 | .REAR BRACKET ASSY | 1 | |
| 10 | 6E5-81824-00-00 | .WASHER 2 | 1 | |
| 11 | 6E5-81807-11-00 | .GEAR ASSY, STARTING MOTOR | 1 | |
| 12 | 61H-81857-00-00 | .RETAINER | 1 | |
| 13 | 6E5-81830-10-00 | .FRONT BRACKET ASSY | 1 | |
| 14 | 688-81831-00-00 | ..METAL, FRONT | 1 | |
| 15 | 6E5-81826-10-00 | .BOLT | 2 | |
| 16 | 6E5-81822-02-98 | BRACKET, STARTING MOTOR | 1 | |
| 17 | 90119-08M76-00 | BOLT, WITH WASHER | 2 | |
| 18 | 90119-08M77-00 | BOLT, WITH WASHER | 3 | |
| 19 | 97395-08016-00 | BOLT | 1 | |
| 20 | 92990-08600-00 | .WASHER, PLATE | 1 | |

C150TLRU 1996 / ELECTRICAL 1



©2013 Yamaha Motor Corporation, U.S.A. All rights reserved.




Part List

C150TLRU 1996 / ELECTRICAL 1

| REF - NO | PART NUMBER | PART NAME | QUANTITY | REMARKS |
|----------------|-----------------|-------------------------------|----------|---------|
| 1 | 6G5-81960-A0-00 | RECTIFIER & REGULATOR ASSY | 1 | |
| 2 | 95380-05600-00 | NUT | 3 | |
| 3 | 95380-06600-00 | NUT, HEXAGON | 1 | |
| 4 | 92990-05200-00 | WASHER, PLAIN | 3 | |
| 5 | 92990-06200-00 | ..WASHER, PLAIN | 1 | |
| 6 | 92990-05100-00 | .WASHER, SPRING | 3 | |
| 7 | 92995-06100-00 | WASHER, SPRING | 1 | |
| 8 | 688-81961-01-00 | COVER | 1 | |
| 9 | 97985-05225-00 | SCREW, WITH WASHER | 2 | |
| 10 | 97513-06520-00 | BOLT, WITH WASHER | 2 | |
| 11 | 6G6-85540-00-00 | C.D.I. UNIT ASSEMBLY | 1 | |
| 12 | 98580-06020-00 | SCREW, PAN HEAD | 4 | |
| 13 | 92990-06600-00 | WASHER, PLATE | 4 | |
| 14 | 6R3-85542-03-4D | BRACKET | 1 | |
| 15 | 90387-06M03-00 | COLLAR | 3 | |
| 16 | 90480-09M12-00 | GROMMET | 3 | |
| 17 | 90119-06M06-00 | BOLT, WITH WASHER | 3 | |
| 18 | 6R3-85537-00-00 | COVER | 1 | |
| 19 | 90159-06M11-00 | SCREW, WITH WASHER | 4 | |
| 20 | 90480-12M25-00 | GROMMET | 1 | |
| 21 | 662-82519-00-00 | WIRE, EARTH LEAD | 1 | |
| 22 | 6R3-82519-00-00 | WIRE, EARTH LEAD | 1 | |
| 23 | 97095-06012-00 | BOLT | 4 | |
| 24 | 92990-06600-00 | WASHER, PLATE | 4 | |

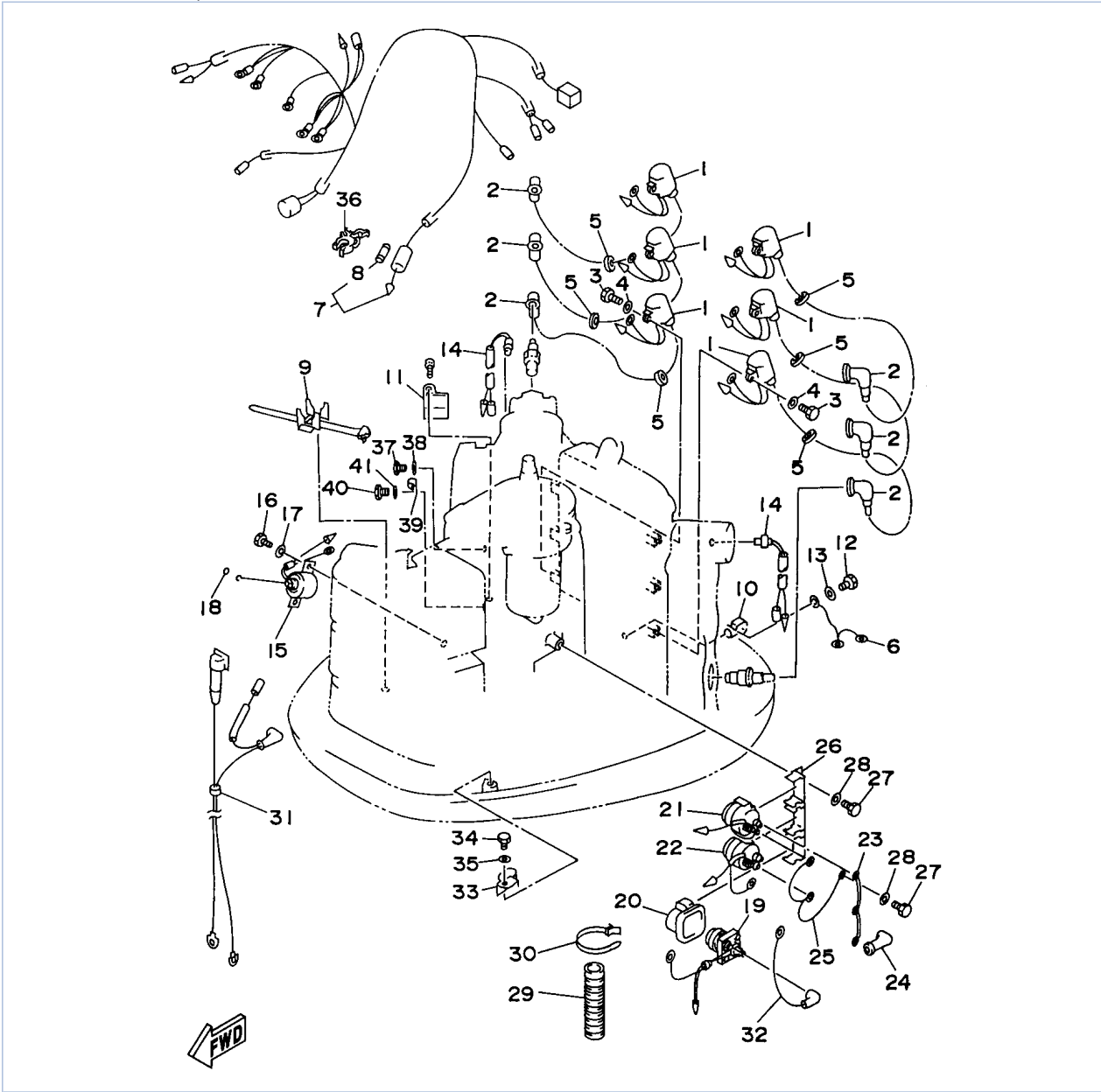
Part Notes

C150TLRU 1996 / ELECTRICAL 1

| PART NUMBER | | NOTE TEXT |
|----------------|---|---|
| 92995-06100-00 |  | OEM: This part number is among the Top 100 Most Popular Marine Maintenance Parts as of August 2013. |
| 92990-06600-00 |  | OEM: This part number is among the Top 100 Most Popular Marine Maintenance Parts as of August 2013. |
| 92990-06600-00 |  | OEM: This part number is among the Top 100 Most Popular Marine Maintenance Parts as of August 2013. |

©2013 Yamaha Motor Corporation, U.S.A. All rights reserved.

C150TLRU 1996 / ELECTRICAL 2



©2013 Yamaha Motor Corporation, U.S.A. All rights reserved.





Part List




C150TLRU 1996 / ELECTRICAL 2

| REF - NO | PART NUMBER | PART NAME | QUANTITY | REMARKS |
|----------|-----------------|-----------------------|----------|---------|
| 1 | 6R3-85570-01-00 | IGNITION COIL ASSY | 6 | |
| 2 | 663-82370-01-00 | PLUG CAP ASSY | 6 | |
| 3 | 97095-06020-00 | BOLT | 6 | |
| 4 | 92990-06600-00 | WASHER, PLATE | 6 | |
| 5 | 90480-25161-00 | GROMMET | 6 | |
| 6 | 6E5-82531-00-00 | WIRE, LEAD | 1 | |
| 7 | 6G6-82590-00-00 | WIRE HARNESS ASSEMBLY | 1 | |
| 8 | 688-82151-00-00 | .FUSE | 1 | |
| 9 | 688-82594-00-00 | CLAMP | 1 | |
| 10 | 90465-08M33-00 | CLAMP | 1 | |
| 11 | 90465-10M14-00 | CLAMP | 1 | |
| 12 | 97095-06012-00 | BOLT | 1 | |
| 13 | 92990-06600-00 | WASHER, PLATE | 1 | |
| 14 | 688-82560-10-00 | THERMO SWITCH ASSY | 2 | |
| 15 | 64D-86110-00-00 | SOLENOID | 1 | |
| 16 | 97095-06016-00 | BOLT | 2 | |
| 17 | 92990-06600-00 | WASHER, PLATE | 2 | |
| 18 | 93210-03261-00 | O-RING | 1 | |
| 19 | 61A-81941-00-00 | STARTER RELAY ASSY | 1 | |
| 20 | 689-81952-10-00 | HOLDER, RELAY | 1 | |
| 21 | 6E5-81950-00-00 | RELAY ASSY | 1 | |
| 22 | 6E5-8195A-00-00 | RELAY ASSY | 1 | |
| 23 | 6G5-87149-10-00 | CONNECTOR | 1 | |
| 24 | 6G5-82119-00-00 | COVER, LEAD WIRE | 2 | |
| 25 | 6E5-82116-00-00 | WIRE, MINUS LEAD | 1 | |
| 26 | 6G5-81948-11-00 | BRACKET | 1 | |
| 27 | 97095-06016-00 | BOLT | 2 | |
| 28 | 92990-06600-00 | WASHER, PLATE | 2 | |
| 29 | 6E9-83557-70-00 | TUBE | 1 | |
| 30 | 90465-13M36-00 | CLAMP | 1 | |
| 31 | 6G5-82105-02-00 | WIRE HARNESS | 1 | |
| 32 | 6E5-82117-00-00 | WIRE, LEAD | 1 | |
| 33 | 90465-12M25-00 | CLAMP | 1 | |
| 34 | 97095-06012-00 | BOLT | 1 | |
| 35 | 92990-06600-00 | WASHER, PLATE | 1 | |
| 36 | 6G5-82152-00-00 | HOLDER, FUSE | 1 | |
| 37 | 97013-06012-00 | BOLT | 1 | |
| 38 | 92990-06600-00 | WASHER, PLATE | 1 | |
| 39 | 90465-08028-00 | CLAMP | 1 | |
| 40 | 97013-06012-00 | BOLT | 1 | |
| 41 | 92990-06600-00 | WASHER, PLATE | 1 | |

Part Notes

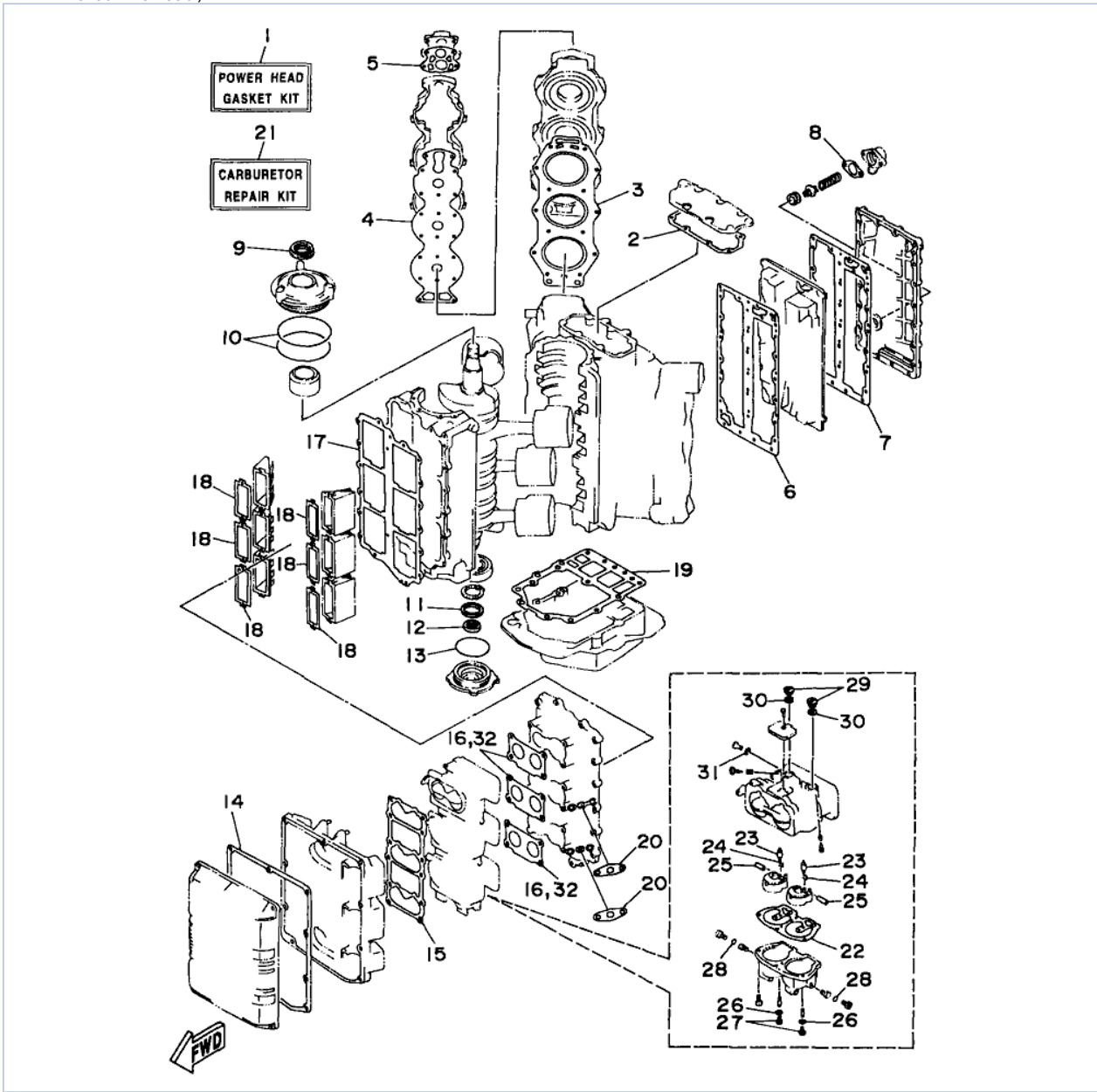
C150TLRU 1996 / ELECTRICAL 2

| PART NUMBER | | NOTE TEXT |
|----------------|---|---|
| 92990-06600-00 |  | OEM: This part number is among the Top 100 Most Popular Marine Maintenance Parts as of August 2013. |
| 92990-06600-00 |  | OEM: This part number is among the Top 100 Most Popular Marine Maintenance Parts as of August 2013. |
| 92990-06600-00 |  | OEM: This part number is among the Top 100 Most Popular Marine Maintenance Parts as of August 2013. |
| 92990-06600-00 |  | OEM: This part number is among the Top 100 Most Popular Marine Maintenance Parts as of August 2013. |
| 92990-06600-00 | | OEM: This part number is among the Top 100 Most Popular Marine Maintenance Parts as of August 2013. |

| | | |
|----------------|---|---|
| |  | |
| 92990-06600-00 |  | OEM: This part number is among the Top 100 Most Popular Marine Maintenance Parts as of August 2013. |
| 92990-06600-00 |  | OEM: This part number is among the Top 100 Most Popular Marine Maintenance Parts as of August 2013. |

©2013 Yamaha Motor Corporation, U.S.A. All rights reserved.

C150TLRU 1996 / REPAIR KIT 1



©2013 Yamaha Motor Corporation, U.S.A. All rights reserved.



Part List

C150TLRU 1996 / REPAIR KIT 1

| REF - NO | PART NUMBER | PART NAME | QUANTITY | REMARKS |
|----------------|-----------------|---------------------------------|----------|---------|
| 1 | 6G5-W0001-A3-00 | POWER HEAD GASKET KIT | 1 | |
| 2 | 6E5-11381-00-00 | .GASKET 1 | 1 | |
| 3 | 6G5-11181-A1-00 | .GASKET, CYLINDER HEAD 1 | 2 | |
| 4 | 6G5-11193-A0-00 | .GASKET, HEAD COVER 1 | 2 | |
| 5 | 688-12414-A1-00 | .GASKET, COVER | 2 | |
| 6 | 6G5-41112-A1-00 | .GASKET, EXHAUST INNER COVER | 1 | |
| 7 | 6G5-41112-A1-00 | .GASKET, EXHAUST INNER COVER | 1 | |
| 8 | 6G5-11382-A1-00 | .GASKET 2 | 1 | |
| 9 | 93102-40M38-00 | .OIL SEAL | 1 | |
| 10 | 93211-04384-00 | .O-RING | 2 | |
| 11 | 93102-35M13-00 | .OIL SEAL | 1 | |
| 12 | 93101-22M15-00 | .OIL SEAL | 1 | |
| 13 | 93210-74M35-00 | .O-RING | 1 | |
| 14 | 6G5-14416-A1-00 | .GASKET, AIR CLEANER | 1 | |
| 15 | 6G5-14483-A1-00 | .GASKET | 1 | |
| 16 | 6E5-14198-A2-00 | .GASKET | 3 | |
| 17 | 6G5-13645-A1-00 | .GASKET, MANIFOLD 1 | 1 | |
| 18 | 6E5-13621-00-00 | .GASKET, VALVE SEAT | 6 | |
| 19 | 6G5-45113-A1-00 | .GASKET, UPPER CASING | 1 | |
| 20 | 650-24431-A0-00 | .GASKET, FUEL PUMP 1 | 2 | |
| 21 | 64D-W0093-00-00 | CARBURETOR REPAIR KIT | 1 | |
| 22 | 64D-14384-00-00 | .GASKET, FLOAT CHAMBER | 1 | |
| 23 | 6E5-14546-00-00 | .VALVE, NEEDLE | 2 | |
| 24 | 6E5-14159-00-00 | .CLIP | 2 | |
| 25 | 6E5-14386-02-00 | .PIN, FLOAT | 2 | |
| 26 | 61U-14959-00-00 | .GASKET | 1 | |
| 27 | 64D-14394-00-00 | .VALVE, DRAIN | 2 | |
| 28 | 6E5-14398-01-00 | .GASKET | 2 | |
| 29 | 6E5-14328-01-00 | .PLUG | 2 | |
| 30 | 6E5-14979-00-00 | .GASKET | 2 | |
| 31 | 6J8-14995-00-00 | .GASKET | 1 | |
| 32 | 6E5-14198-A2-00 | .GASKET | 1 | |

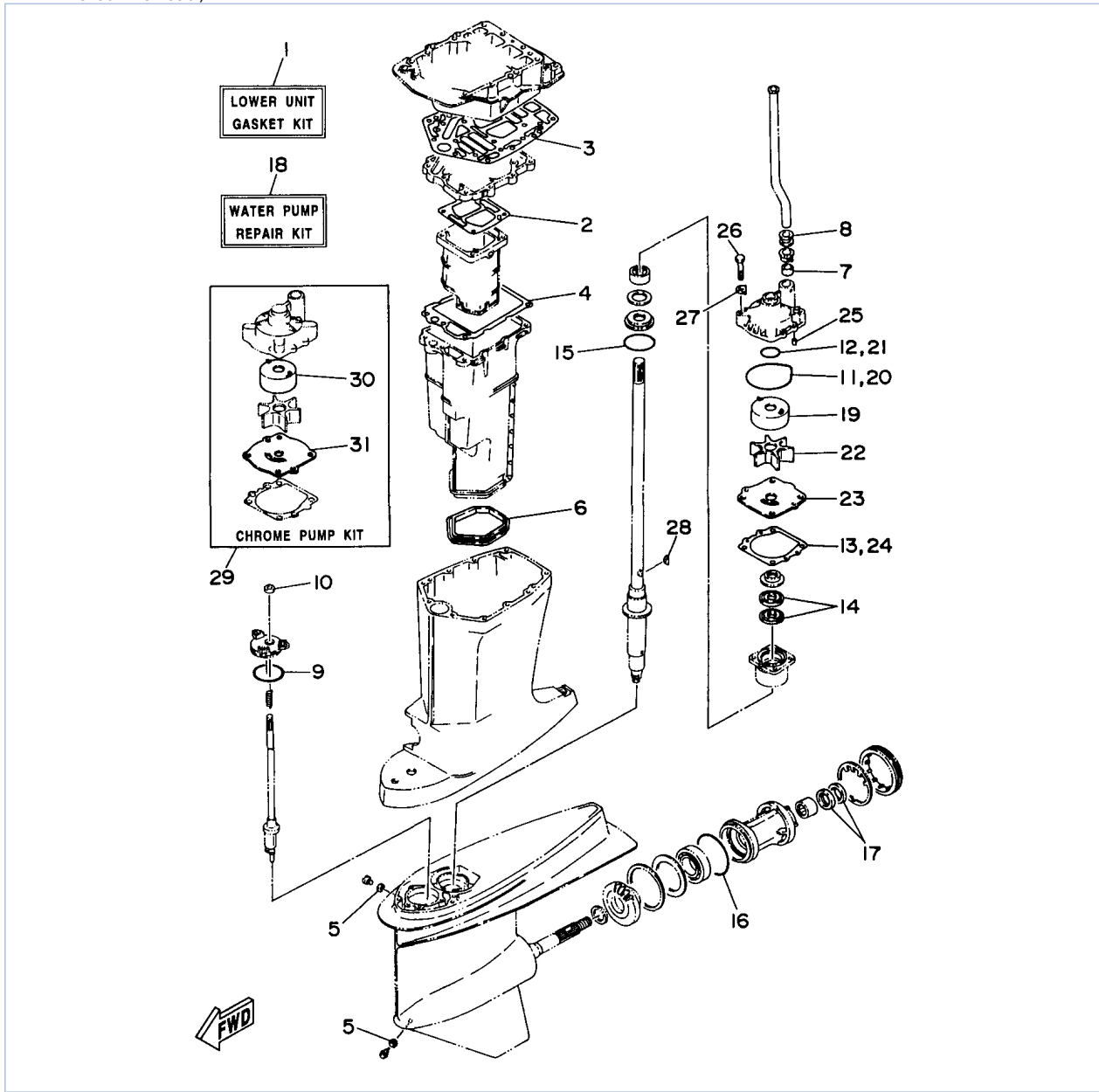
Part Notes

C150TLRU 1996 / REPAIR KIT 1

| PART NUMBER | | NOTE TEXT |
|-----------------|---|---|
| 688-12414-A1-00 |  | OEM: This part number is among the Top 100 Most Popular Marine Maintenance Parts as of August 2013. |
| 650-24431-A0-00 |  | OEM: This part number is among the Top 100 Most Popular Marine Maintenance Parts as of August 2013. |

©2013 Yamaha Motor Corporation, U.S.A. All rights reserved.

C150TLRU 1996 / REPAIR KIT 2



©2013 Yamaha Motor Corporation, U.S.A. All rights reserved.








Part List

C150TLRU 1996 / REPAIR KIT 2

| REF - NO | PART NUMBER | PART NAME | QUANTITY | REMARKS |
|----------|-----------------|---------------------------|----------|---------|
| 1 | 6G5-W0001-C1-00 | LOWER UNIT GASKET KIT | 1 | |
| 2 | 6G5-41134-A0-00 | .GASKET, EXHAUST MANIFOLD | 1 | |
| 3 | 6G5-45114-A0-00 | .GASKET, UPPER CASING | 1 | |
| 4 | 6E5-41135-A0-00 | .GASKET, EXHAUST MANIFOLD | 1 | |
| 5 | 90430-08020-00 | .GASKET | 2 | |
| 6 | 6E5-45123-00-00 | .GASKET, MUFFLER | 1 | |
| 7 | 6E5-44365-00-00 | .DAMPER, WATER SEAL 1 | 1 | |
| 8 | 6E5-44366-00-00 | .DAMPER, WATER SEAL 2 | 1 | |
| 9 | 93210-58677-00 | .O-RING | 1 | |
| 10 | 93106-09014-00 | .OIL SEAL | 1 | |
| 11 | 93210-86M38-00 | .O-RING | 1 | |
| 12 | 93210-37M67-00 | .O-RING | 1 | |
| 13 | 6E5-44315-A0-00 | .GASKET, WATER PUMP | 1 | |
| 14 | 93101-28M16-00 | .OIL SEAL | 2 | |
| 15 | 93210-54534-00 | .O-RING | 1 | |
| 16 | 93210-97M55-00 | .O-RING | 1 | |
| 17 | 93101-30M17-00 | .OIL SEAL | 2 | |
| 18 | 61A-W0078-A1-00 | WATER PUMP REPAIR KIT | 1 | |
| 19 | 61A-44322-00-00 | .INSERT, CARTRIDGE | 1 | |
| 20 | 93210-86M38-00 | .O-RING | 1 | |
| 21 | 93210-37M67-00 | .O-RING | 1 | |
| 22 | 6E5-44352-00-00 | .IMPELLER | 1 | |
| 23 | 6G5-44323-00-00 | .OUTER PLATE, CARTRIDGE | 1 | |
| 24 | 6E5-44315-A0-00 | .GASKET, WATER PUMP | 1 | |
| 25 | 93606-12019-00 | .PIN, DOWEL | 1 | |
| 26 | 97095-08045-00 | .BOLT | 4 | |
| 27 | 90209-08M02-00 | .WASHER | 4 | |
| 28 | 90280-04M05-00 | .KEY, WOODRUFF | 1 | |
| 29 | 61A-W0078-0A-00 | CHROME PUMP KIT | 1 | |
| 30 | 6R3-44322-41-00 | .INSERT, CARTRIDGE | 1 | |
| 31 | 6G5-44323-40-00 | .OUTER PLATE, CARTRIDGE | 1 | |

Part Notes

C150TLRU 1996 / REPAIR KIT 2

| PART NUMBER | NOTE TEXT |
|--|---|
| 90430-08020-00  | OEM: This part number is among the Top 100 Most Popular Marine Maintenance Parts as of August 2013. |
| 93106-09014-00  | OEM: This part number is among the Top 100 Most Popular Marine Maintenance Parts as of August 2013. |
| 93210-86M38-00  | OEM: This part number is among the Top 100 Most Popular Marine Maintenance Parts as of August 2013. |
| 93101-28M16-00  | OEM: This part number is among the Top 100 Most Popular Marine Maintenance Parts as of August 2013. |
| 93210-54534-00  | OEM: This part number is among the Top 100 Most Popular Marine Maintenance Parts as of August 2013. |
| 93101-30M17-00  | OEM: This part number is among the Top 100 Most Popular Marine Maintenance Parts as of August 2013. |
| 93210-86M38-00  | OEM: This part number is among the Top 100 Most Popular Marine Maintenance Parts as of August 2013. |

©2013 Yamaha Motor Corporation, U.S.A. All rights reserved.

©2013 Yamaha Motor Corporation, U.S.A. All rights reserved.