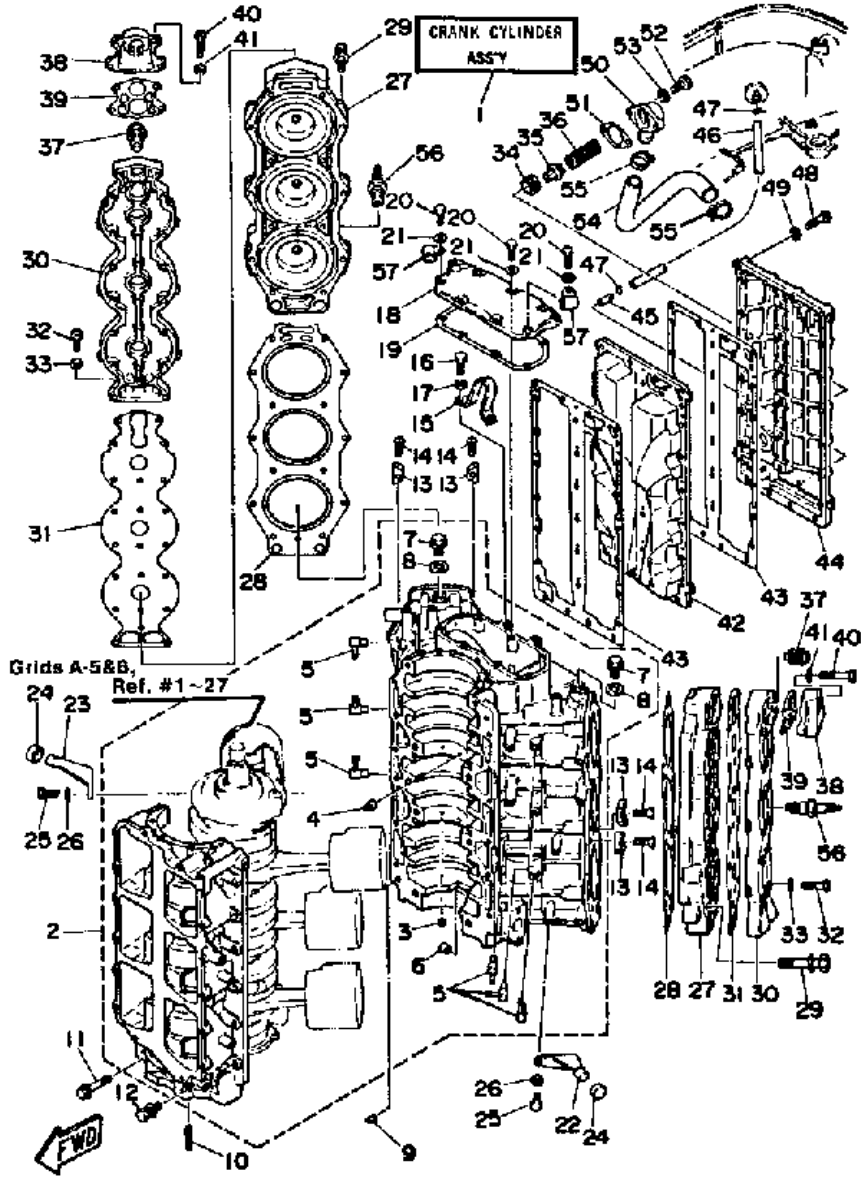


L150ETXJ 1986 / CRANKCASE CYLINDER



©2013 Yamaha Motor Corporation, U.S.A. All rights reserved.

## Part List









L150ETXJ 1986 / CRANKCASE CYLINDER

REF - NO	PART NUMBER	PART NAME	QUANTITY	REMARKS
1	6G5-W0090-15-EK	CRANK CYLINDER ASSEMBLY	1	U.R. 200 MODEL
1	6G4-W0090-16-EK	CRANK CYLINDER ASSEMBLY	1	
2	6G4-15100-04-94	CRANKCASE ASSY	1	
2	6G5-15100-04-94	CRANKCASE ASSY	1	
3	624-11379-00-00	.VALVE, CHECK	2	
4	663-11518-01-00	.LOCK, BEARING	2	
5	646-11370-00-00	CHECK VALVE ASSY	6	
6	90380-06M24-00	BUSH, SOLID (90380-06M18-00)	1	
7	90340-14M00-00	.PLUG, STRAIGHT SCREW	2	
8	90430-14115-00	.GASKET	2	
9	93608-12063-00	PIN, DOWEL	2	
10	90116-08M14-00	BOLT, STUD	2	
11	90105-10M20-00	BOLT, FLANGE	8	
12	90119-08M23-00	BOLT, W/WASHER	12	
13	6E5-11325-00-00	ANODE	8	
14	98680-04016-00	SCREW OVAL HEAD	8	
15	6E5-11119-00-00	HANGER, ENGINE	1	
16	97313-08020-00	BOLT, HEXAGON	2	
17	92990-08100-00	WASHER, SPRING	2	
18	6E5-11371-00-9M	COVER	1	
19	6E5-11381-00-00	GASKET 1	1	
20	97313-06020-00	BOLT, HEXAGON	7	
21	92990-06600-00	WASHER, PLATE	7	
22	6E5-42761-00-94	STOPPER	1	
23	6E5-42762-00-94	STOPPER	1	
24	663-44533-00-00	DAMPER, UPPER MOUNT RUBBER	2	
25	97313-06020-00	BOLT, HEXAGON	4	
26	92990-06600-00	WASHER, PLATE	4	
27	6G5-11111-03-94	HEAD, CYLINDER 1	2	U.R.200 MODEL
27	6G4-11111-02-94	HEAD, CYLINDER 1	2	
28	6G5-11181-A0-00	GASKET, CYLINDER HEAD 1	2	
29	90119-08M21-00	BOLT, WITH WASHER	28	
30	6G5-11191-00-9M	COVER, CYLINDER HEAD 1	2	
31	6G5-11193-01-00	GASKET, HEAD COVER 1	2	
32	97313-06030-00	BOLT	36	
33	92990-06600-00	WASHER, PLATE	36	
34	90480-20M05-00	GROMMET	1	
35	6G5-12416-00-00	VALVE, PRESSURE CONTROL	1	
36	90501-16M11-00	SPRING, COMPRESSION	1	
37	6E5-12411-20-00	THERMOSTAT	2	
38	6G5-12413-00-9M	COVER, THERMOSTAT	2	
39	688-12414-A1-00	.GASKET, COVER	2	
40	97313-06045-00	BOLT, HEXAGON	8	
41	92990-06600-00	WASHER, PLATE	8	
42	6G5-41111-00-9M	INNER COVER, EXHAUST	1	
43	6G5-41112-A1-00	GASKET, EXHAUST INNER COVER	2	
44	6G5-41113-00-9M	OUTER COVER, EXHAUST	1	
45	652-24461-00-00	PIPE, JOINT 4	1	
46	6E5-24312-00-00	PIPE 2	1	
47	90467-08004-00	CLIP	2	
48	97013-06035-00	BOLT	29	

49	92990-06600-00	WASHER, PLATE	29	
50	6G5-11372-00-5B	NIPPLE, HOSE (6G5-11372-00-9M)	1	
51	6G5-11382-A1-00	.GASKET 2	1	
52	97313-06020-00	BOLT, HEXAGON	2	
53	92990-06600-00	WASHER, PLATE	2	
54	6G5-12576-00-00	HOSE 1	1	
55	90465-13M36-00	CLAMP	2	
56	NGK-B8HS1-00-00	PLUG, SPARK (NGK B8HS-10)	6	
57	90465-08028-00	CLAMP	2	

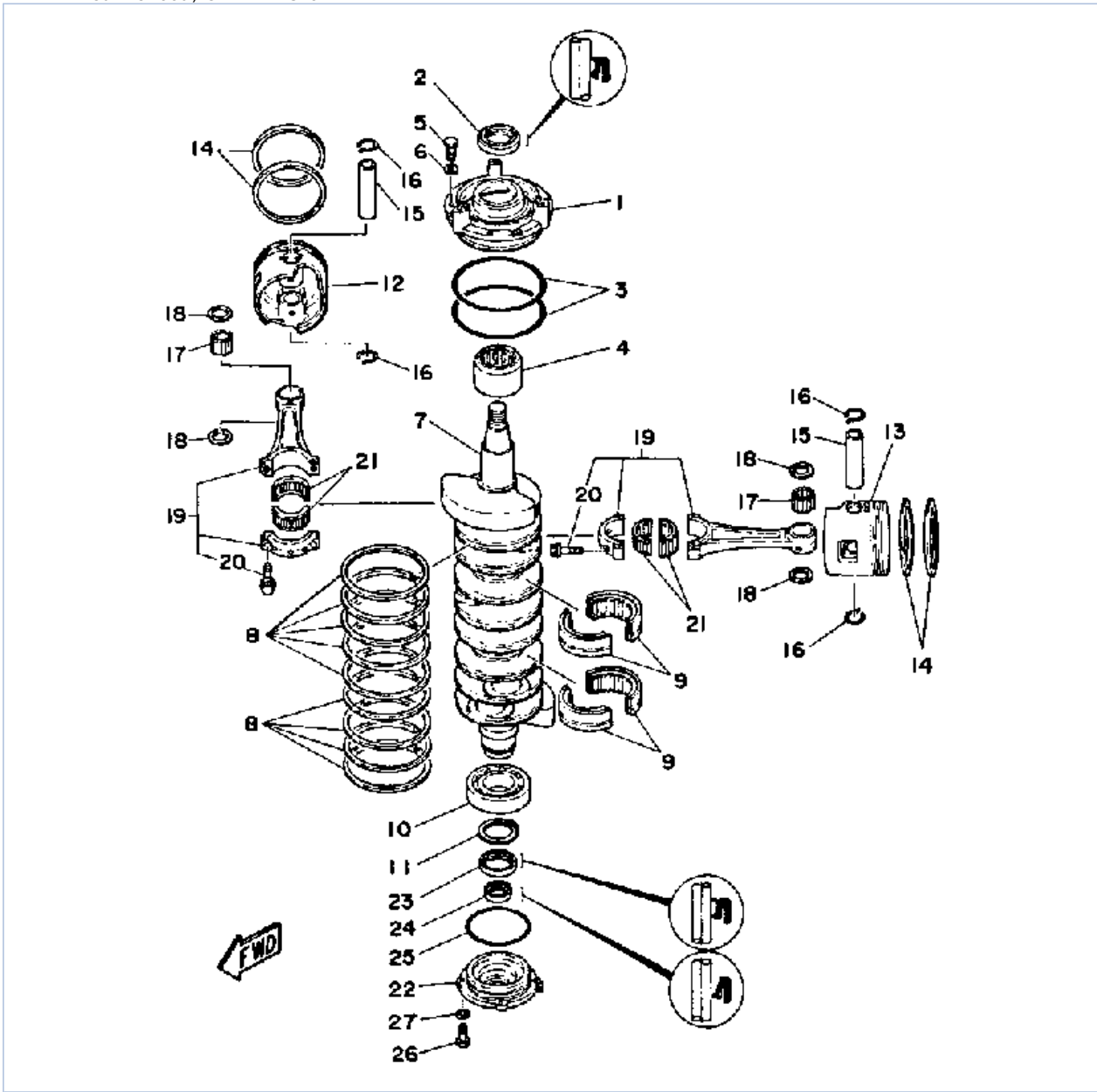
## Part Notes

L150ETXJ 1986 / CRANKCASE CYLINDER

PART NUMBER		NOTE TEXT
92990-06600-00		OEM: This part number is among the Top 100 Most Popular Marine Maintenance Parts as of August 2013.
92990-06600-00		OEM: This part number is among the Top 100 Most Popular Marine Maintenance Parts as of August 2013.
92990-06600-00		OEM: This part number is among the Top 100 Most Popular Marine Maintenance Parts as of August 2013.
90480-20M05-00		OEM: This part number is among the Top 100 Most Popular Marine Maintenance Parts as of August 2013.
688-12414-A1-00		OEM: This part number is among the Top 100 Most Popular Marine Maintenance Parts as of August 2013.
92990-06600-00		OEM: This part number is among the Top 100 Most Popular Marine Maintenance Parts as of August 2013.
92990-06600-00		OEM: This part number is among the Top 100 Most Popular Marine Maintenance Parts as of August 2013.
92990-06600-00		OEM: This part number is among the Top 100 Most Popular Marine Maintenance Parts as of August 2013.

©2013 Yamaha Motor Corporation, U.S.A. All rights reserved.

L150ETXJ 1986 / CRANK - PISTON



©2013 Yamaha Motor Corporation, U.S.A. All rights reserved.




## Part List

L150ETXJ 1986 / CRANK - PISTON

REF - NO	PART NUMBER	PART NAME	QUANTITY	REMARKS
1	6E5-15163-00-94	HOUSING, BEARING 1	1	
2	93102-40M38-00	OIL SEAL	1	
3	93211-04384-00	.O-RING	2	
4	93311-940U3-00	BEARING	1	
5	97313-06020-00	BOLT, HEXAGON	4	
6	92990-06600-00	WASHER, PLATE	4	
7	6G5-11411-00-00	CRANKSHAFT	1	
8	6E5-11447-00-00	SEAL, CRANK	9	
9	93310-954V3-00	BEARING, CYLINDRICAL	1	
10	(93306-20840-00)	BEARING	1	
11	93410-40M03-00	CIRCLIP	1	
12	6G5-11631-00-93	PISTON STD (STD)	3	
12	6G5-11636-00-00	PISTON 2 O/S 0.50 (2ND O.S.)	3	AP
13	6G5-11642-00-93	PISTON STD (STD)	3	
13	6G5-11646-00-00	PISTON 2ND (2ND O.S.)	3	AP
14	6E5-11610-23-00	PISTON RING SET (2ND O/S)	6	AP
14	6E5-11610-03-00	PISTON RING SET	6	
15	6E5-11633-01-00	PIN, PISTON	6	
16	6E5-11634-00-00	CLIP, PISTON PIN	12	
17	93603-21111-00	PIN, DOWEL	180	
18	90201-21M75-00	WASHER, PLATE	12	
19	6E5-11650-01-00	CONNECTING ROD ASSY	6	
20	90109-08M61-00	BOLT	2	
21	93310-836V2-00	BEARING	6	
22	6G5-15359-00-94	HOUSING, OIL SEAL	1	
23	93102-35M13-00	OIL SEAL	1	
24	93101-22M15-00	.OIL SEAL	1	
25	93210-74M35-00	.O-RING	1	
26	97395-06020-00	BOLT, HEXAGON	4	
27	92990-06600-00	WASHER, PLATE	4	

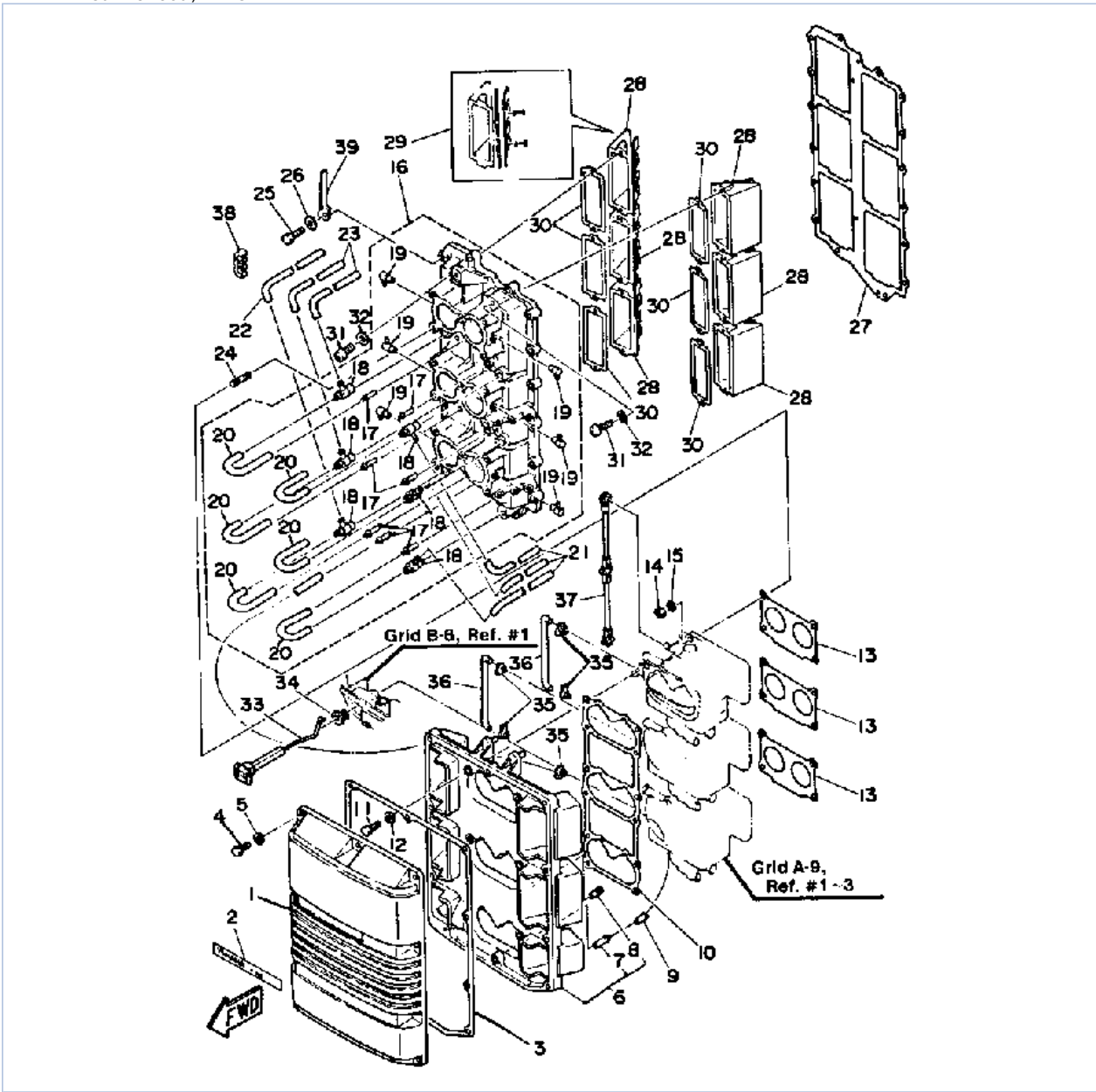
## Part Notes

L150ETXJ 1986 / CRANK - PISTON

PART NUMBER	NOTE TEXT
92990-06600-00 	OEM: This part number is among the Top 100 Most Popular Marine Maintenance Parts as of August 2013.
93603-21111-00 	OEM: This part number is among the Top 100 Most Popular Marine Maintenance Parts as of August 2013.
92990-06600-00 	OEM: This part number is among the Top 100 Most Popular Marine Maintenance Parts as of August 2013.

©2013 Yamaha Motor Corporation, U.S.A. All rights reserved.

L150ETXJ 1986 / AIR CLEANER



©2013 Yamaha Motor Corporation, U.S.A. All rights reserved.





## Part List

L150ETXJ 1986 / AIR CLEANER

REF - NO	PART NUMBER	PART NAME	QUANTITY	REMARKS
1	6G5-14418-00-00	COVER 2	1	
2	6G5-1441K-00-00	EMBLEM	1	
3	6G5-14416-00-00	GASKET, AIR CLEANER	1	
4	97313-06020-00	BOLT, HEXAGON	10	
5	92990-06600-00	WASHER, PLATE	10	
6	6G5-14417-00-94	COVER 1	1	
6	6G5-14417-10-94	COVER 1	1	
7	624-14485-00-00	.PIPE, JOINT	1	
8	6E5-14485-00-00	PIPE, JOINT	1	
9	90445-07M23-00	HOSE (L408)	1	
10	6G5-14483-01-00	GASKET	1	
11	97313-06020-00	BOLT, HEXAGON	6	
12	92990-06600-00	WASHER, PLATE	6	
13	6E5-14198-A1-00	GASKET	3	
14	95380-06600-00	NUT, HEXAGON	12	
15	92995-06100-00	WASHER, SPRING	12	
16	6G5-13641-10-94	MANIFOLD 1	1	
17	624-14485-00-00	.PIPE, JOINT	7	
18	6E5-11370-00-00	.CHECK VALVE ASSY	6	
19	6E5-13552-00-00	NOZZLE	6	
20	90445-07M28-00	.HOSE (L70)	6	
21	90445-07M45-00	HOSE (L340)	3	
22	90445-07M59-00	HOSE (L410)	1	
23	90445-07M46-00	HOSE (L360)	2	
24	90116-06M08-00	BOLT, STUD	12	
24	90116-06M30-00	BOLT, STUD	12	SEE NOTE
25	97313-06025-00	BOLT	16	
26	92990-06600-00	WASHER, PLATE	16	
27	6G5-13645-A1-00	GASKET, MANIFOLD 1	1	
28	6E5-13610-00-00	REED VALVE ASSY	6	U.R. 200 MODEL
28	6G5-13610-00-00	REED VALVE ASSY	6	U.R. 150 MODEL
29	6E5-W0004-00-00	.REED SET	1	
30	6E5-13621-00-00	GASKET, VALVE SEAT	6	
31	98580-05016-00	SCREW, PAN HEAD	12	
32	92990-05600-00	WASHER, PLATE	12	
33	6E5-41271-02-00	KNOB, CHOKE	1	
34	689-41273-00-00	GROMMET	1	
35	661-41262-02-00	JOINT, CHOKE LEVER	5	
36	6E5-41256-01-00	ROD, CHOKE 1	2	
37	6G5-41217-01-00	ROD, ACCEL. LEVER	1	
38	90464-07M05-00	CLAMP	2	
39	90465-07M20-00	CLAMP	4	

## Part Notes

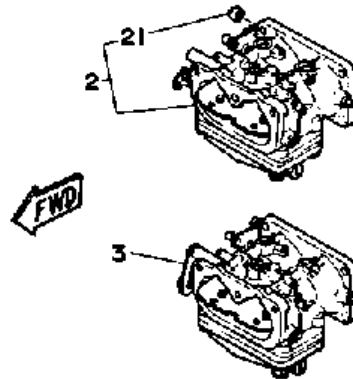
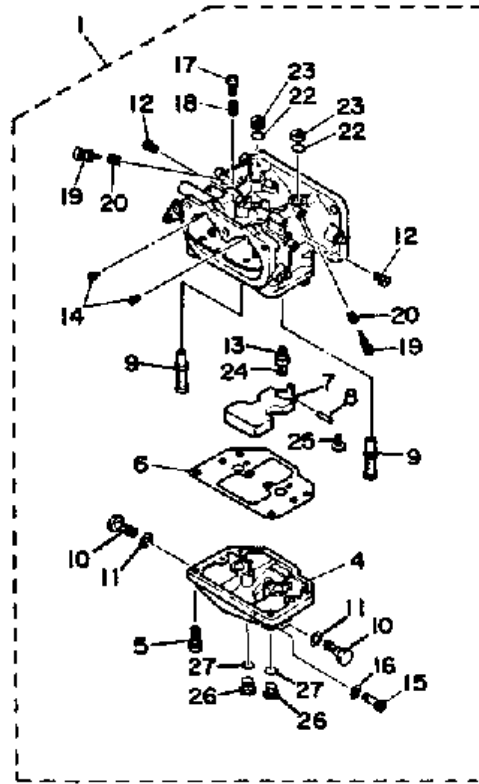
L150ETXJ 1986 / AIR CLEANER

PART NUMBER		NOTE TEXT
92990-06600-00		OEM: This part number is among the Top 100 Most Popular Marine Maintenance Parts as of August 2013.
92990-06600-00		OEM: This part number is among the Top 100 Most Popular Marine Maintenance Parts as of August 2013.
92995-06100-00		OEM: This part number is among the Top 100 Most Popular Marine Maintenance Parts as of August 2013.
92990-06600-00		OEM: This part number is among the Top 100 Most Popular Marine Maintenance Parts as of August 2013.

©2013 Yamaha Motor Corporation, U.S.A. All rights reserved.



L150ETXJ 1986 / CARBURETOR SN UP TO 700126



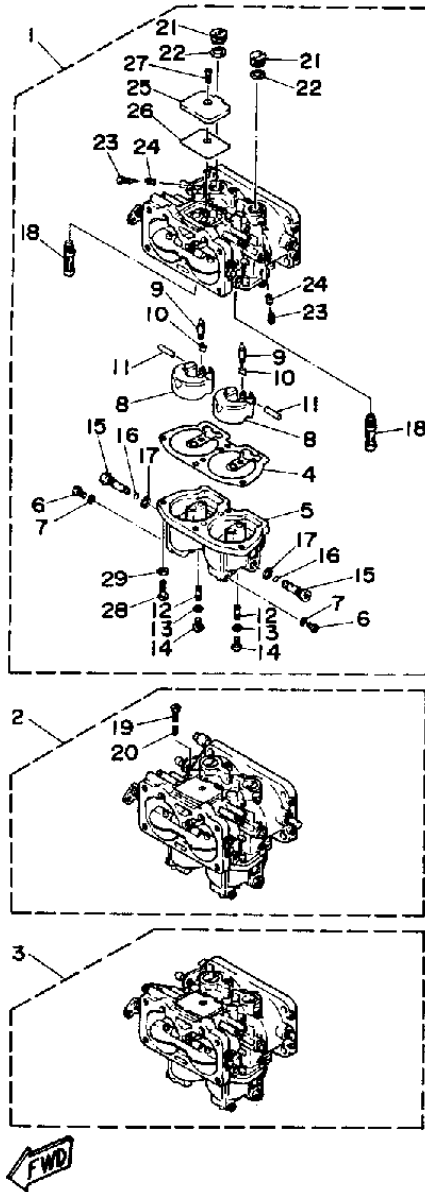
©2013 Yamaha Motor Corporation, U.S.A. All rights reserved.

## Part List

L150ETXJ 1986 / CARBURETOR SN UP TO 700126

REF - NO	PART NUMBER	PART NAME	QUANTITY	REMARKS
1	6G4-14301-02-00	CARBURETOR (UPPER) (UPPER)	1	U.R. 150 MODEL
1	6G6-14301-02-00	CARBURETOR (UPPER) (UPPER)	1	U.R. 200 MODEL
2	6G6-14302-02-00	CARBURETOR (CENTER)	1	U.R. 200 MODEL
2	6G4-14302-02-00	CARBURETOR (CENTER) (CENTER)	1	U.R. 150 MODEL
3	6G4-14303-02-00	CARBURETOR (LOWER) (LOWER)	1	U.R. 150 MODEL
3	6G6-14303-02-00	CARBURETOR (LOWER)	1	U.R. 200 MODEL
4	6G4-14381-01-00	BODY, FLOAT CHAMBER	3	
5	98580-05018-00	.SCREW, PAN HEAD	12	
6	6E5-14384-02-00	GASKET, FLOAT CHAMBER	3	
7	6G4-14385-00-00	FLOAT ASSEMBLY	3	
8	6E5-14386-01-00	PIN, FLOAT	3	
9	6G5-14341-01-00	NOZZLE, MAIN	6	
10	6E5-14343-80-00	JET, MAIN (#160) (#160)	6	U.R. 200 MODEL
10	6E5-14343-65-00	JET, MAIN (#130) (#130)	6	U.R. 150 MODEL
11	1J2-14398-00-00	GASKET	6	
12	6G4-14342-45-00	JET, PILOT 90 (90)	6	U.R. 150 MODEL
12	6G4-14342-44-00	JET, PILOT (#88) (#88)	6	U.R. 200 MODEL
13	6G4-14390-17-00	VALVE SEAT ASSEMBLY	3	
14	6E5-14347-25-00	JET, AIR SLOW	6	
15	6E5-14383-00-00	SCREW, DRAIN	3	
16	6E5-14398-00-00	.GASKET	3	
17	650-14321-00-00	SCREW, THROTTLE (UPPER)	1	
18	647-14334-00-00	SPRING	1	
19	6F5-14323-01-00	SCREW, AIR ADJUSTING	6	
20	650-14223-00-00	SPRING, DRAIN VALVE	6	
21	682-41291-00-00	BUSHING	1	
22	617-24565-00-00	GASKET	6	
23	6G5-14328-00-00	SCREW, PILOT STOP	6	
24	367-14195-00-00	GASKET	3	
25	98901-04010-00	SCREW, BIND	3	
26	6A4-14394-00-00	DRAIN, SCREW	6	
27	652-14397-00-00	.O-RING	6	

L150ETXJ 1986 / CARBURETOR XJ 700126 AND UP



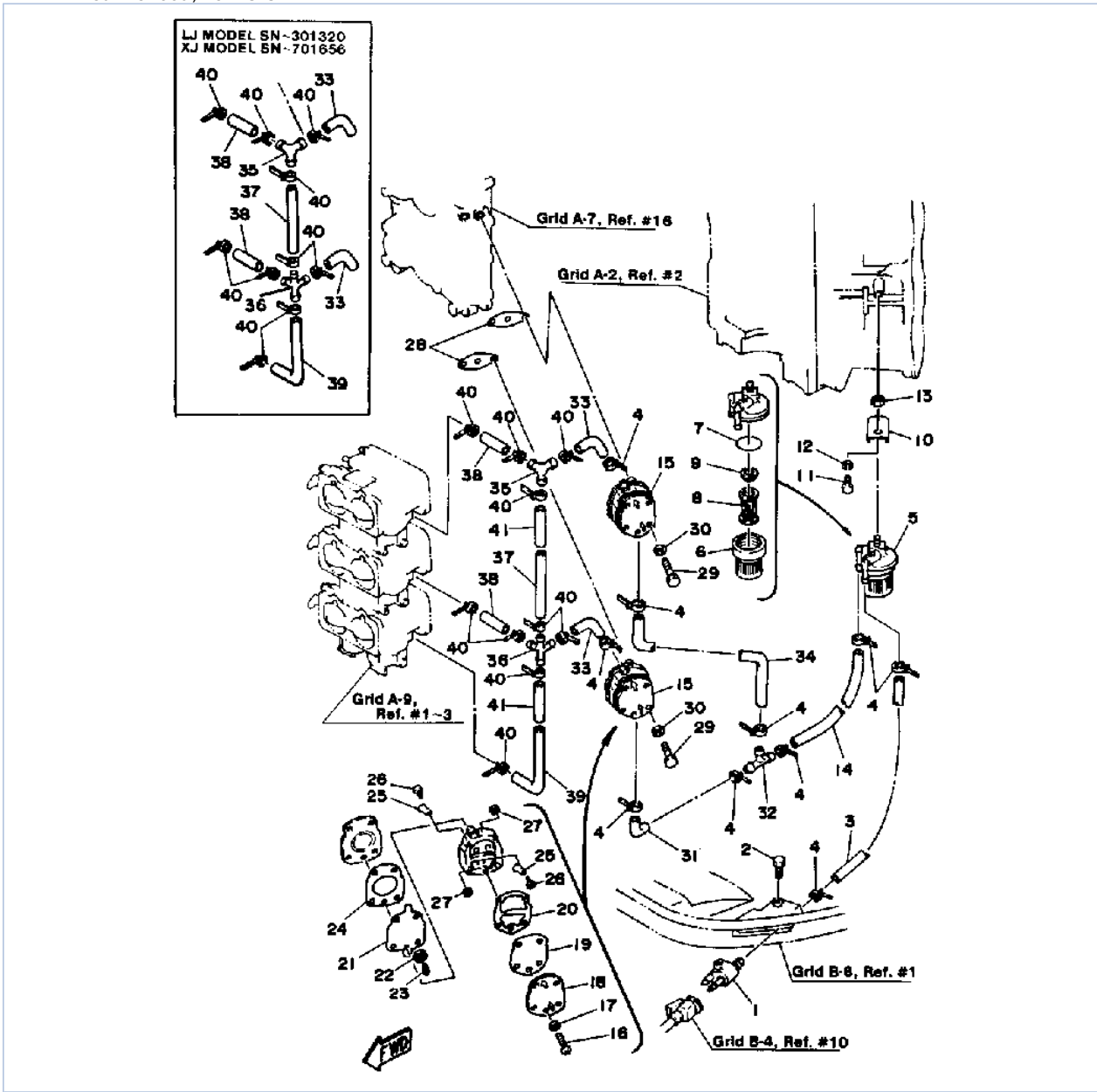
©2013 Yamaha Motor Corporation, U.S.A. All rights reserved.

## Part List

L150ETXJ 1986 / CARBURETOR XJ 700126 AND UP

REF - NO	PART NUMBER	PART NAME	QUANTITY	REMARKS
1	6R2-14301-01-00	CARBURETOR ASSEMBLY 1	1	
1	6G6-14301-05-00	CARBURETOR ASSEMBLY 1	1	
2	6G6-14303-05-00	CARBURETOR ASSEMBLY 3	1	
2	6R2-14302-01-00	CARBURETOR ASSEMBLY 2	1	
3	6R2-14303-01-00	CARBURETOR ASSEMBLY 3	1	
3	6G6-14303-05-00	CARBURETOR ASSEMBLY 3	1	
4	6E5-14384-03-00	GASKET, FLOAT CHAMBER	3	
5	6E5-14381-03-00	BODY, FLOAT CHAMBER	3	
6	6E5-14383-01-00	SCREW, DRAIN	6	
7	6J8-14995-00-00	GASKET	6	
8	6E5-14385-02-00	FLOAT	6	
9	6E5-14546-00-00	VALVE, NEEDLE	6	
10	7E5-14159-00-00	UNAVAILABLE IN PRICE BOOK	6	
11	6E5-14386-02-00	PIN, FLOAT	6	
12	6E5-1492F-41-00	JET, PILOT (#82)	6	
12	6E5-1492F-37-00	JET, PILOT (#74)	6	
13	6E5-14397-00-00	O-RING	6	
14	6E5-14394-00-00	PLUG, SLOW JET	6	
15	6E5-1492E-73-00	JET, MAIN (#146)	6	
15	6E5-1492E-62-00	JET, MAIN (#124)	6	
16	6E5-14997-00-00	O-RING	6	
17	6E5-14398-01-00	GASKET	6	
18	6G7-1492A-00-00	NOZZLE, MAIN	6	
18	6G5-1492A-00-00	NOZZLE, MAIN	6	
19	6E5-14321-00-00	.SCREW, THROTTLE	1	
20	6J8-14334-00-00	.SPRING, THROTTLE	1	
21	6E5-14328-01-00	.PLUG	6	
22	6E5-14979-00-00	GASKET	6	
23	6E5-14323-03-00	SCREW, AIR ADJUSTING	6	
24	6E5-14223-00-00	.SPRING, AIR ADJUSTING	6	
25	6E5-14527-00-00	PLATE	3	
26	6E5-14959-01-00	GASKET	3	
27	98701-05008-00	SCREW, FLAT HEAD	3	
28	98580-05016-00	SCREW, PAN HEAD	12	
29	92990-05100-00	.WASHER, SPRING	12	

L150ETXJ 1986 / FUEL SYSTEM



©2013 Yamaha Motor Corporation, U.S.A. All rights reserved.




## Part List

L150ETXJ 1986 / FUEL SYSTEM

REF - NO	PART NUMBER	PART NAME	QUANTITY	REMARKS
1	6E5-24304-10-00	FUEL PIPE JOINT COMP. 1	1	
2	97313-06020-00	BOLT, HEXAGON	1	
3	6G5-24313-00-00	PIPE 3	1	
4	90465-11M10-00	CLAMP	10	
5	6E5-24560-00-00	FILTER ASSY	1	
6	655-24521-01-00	CUP, FILTER	1	
7	93210-37M25-00	O-RING	1	
8	6F5-24563-00-00	ELEMENT, FILTER	1	
9	655-24564-00-00	GASKET	1	
10	648-24566-01-00	BRACKET, FILTER	1	
11	97313-06014-00	BOLT, HEXAGON	1	
12	92995-06100-00	WASHER, SPRING	1	
13	95333-08600-00	NUT	1	
14	6G5-24314-00-00	PIPE 4	1	
15	6E5-24410-03-00	FUEL PUMP ASSY	2	
16	98580-05035-00	SCREW, PAN HEAD	3	
17	92990-05600-00	WASHER, PLATE	3	
18	6E5-24413-00-00	BODY 2	1	
19	6E5-24471-00-00	DIAPHRAGM	1	
20	6E5-24435-00-00	GASKET, BODY 2	1	
21	6E5-24411-00-00	DIAPHRAGM	1	
22	648-24424-00-00	.SEAT, SPRING	1	
23	6E5-24423-00-00	.SPRING, DIAPHRAGM	1	
24	6E5-24434-02-00	GASKET, BODY	1	
25	6A0-24421-01-00	.VALVE, CHECK	4	
26	98580-03008-00	SCREW, PAN HEAD	4	
27	98813-03100-00	NUT	4	
28	650-24431-A0-00	GASKET, FUEL PUMP 1	2	
29	97313-06050-00	BOLT	4	
30	92990-06600-00	WASHER, PLATE	4	
31	6E5-24315-00-00	PIPE 5	1	
32	6E5-24378-00-00	PIPE, JOINT 3	1	
33	6G5-24316-00-00	PIPE 6	2	
33	6G5-24316-10-00	PIPE 6	2	
34	6G5-24315-00-00	PIPE 5	1	
35	6G5-24376-00-00	PIPE, JOINT 1	1	
36	6G5-24377-00-00	PIPE, JOINT 2	1	
37	6G5-24317-01-00	PIPE 7	1	
38	6G5-24318-00-00	PIPE, OVERFLOW	2	
38	6G5-24318-10-00	PIPE, OVERFLOW	2	
39	6G5-24319-10-00	PIPE, OIL	1	
39	6G5-24319-00-00	PIPE, OIL	1	
40	90465-11M10-00	CLAMP	10	
41	90446-15M07-00	HOSE (L60)	2	

## Part Notes

L150ETXJ 1986 / FUEL SYSTEM

PART NUMBER		NOTE TEXT
92995-06100-00		OEM: This part number is among the Top 100 Most Popular Marine Maintenance Parts as of August 2013.
6E5-24410-03-00		OEM: This part number is among the Top 100 Most Popular Marine Maintenance Parts as of August 2013.
650-24431-A0-00		OEM: This part number is among the Top 100 Most Popular Marine Maintenance Parts as of August 2013.

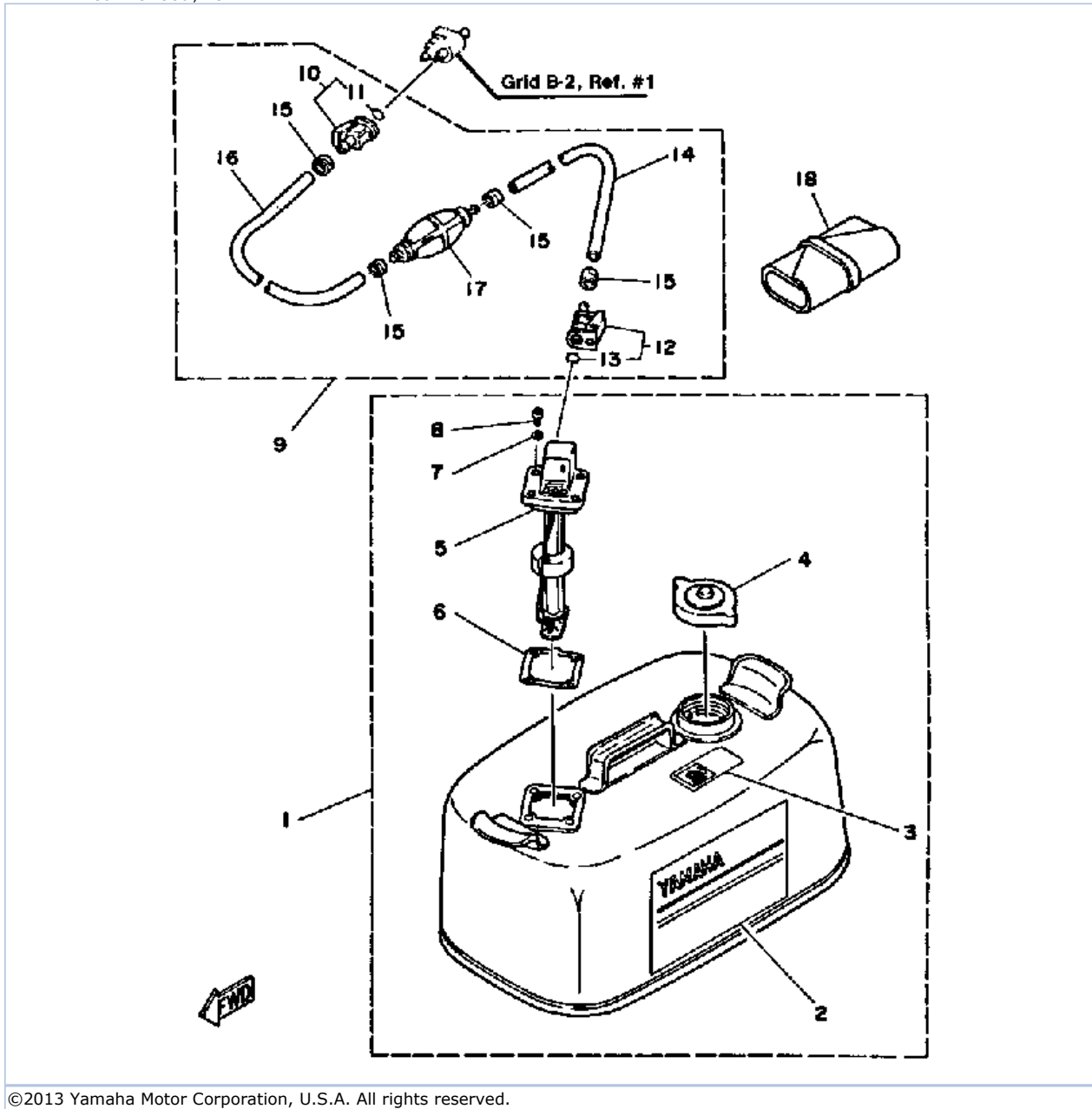
92990-06600-00



OEM: This part number is among the Top 100 Most Popular Marine Maintenance Parts as of August 2013.

©2013 Yamaha Motor Corporation, U.S.A. All rights reserved.

L150ETXJ 1986 / FUEL TANK



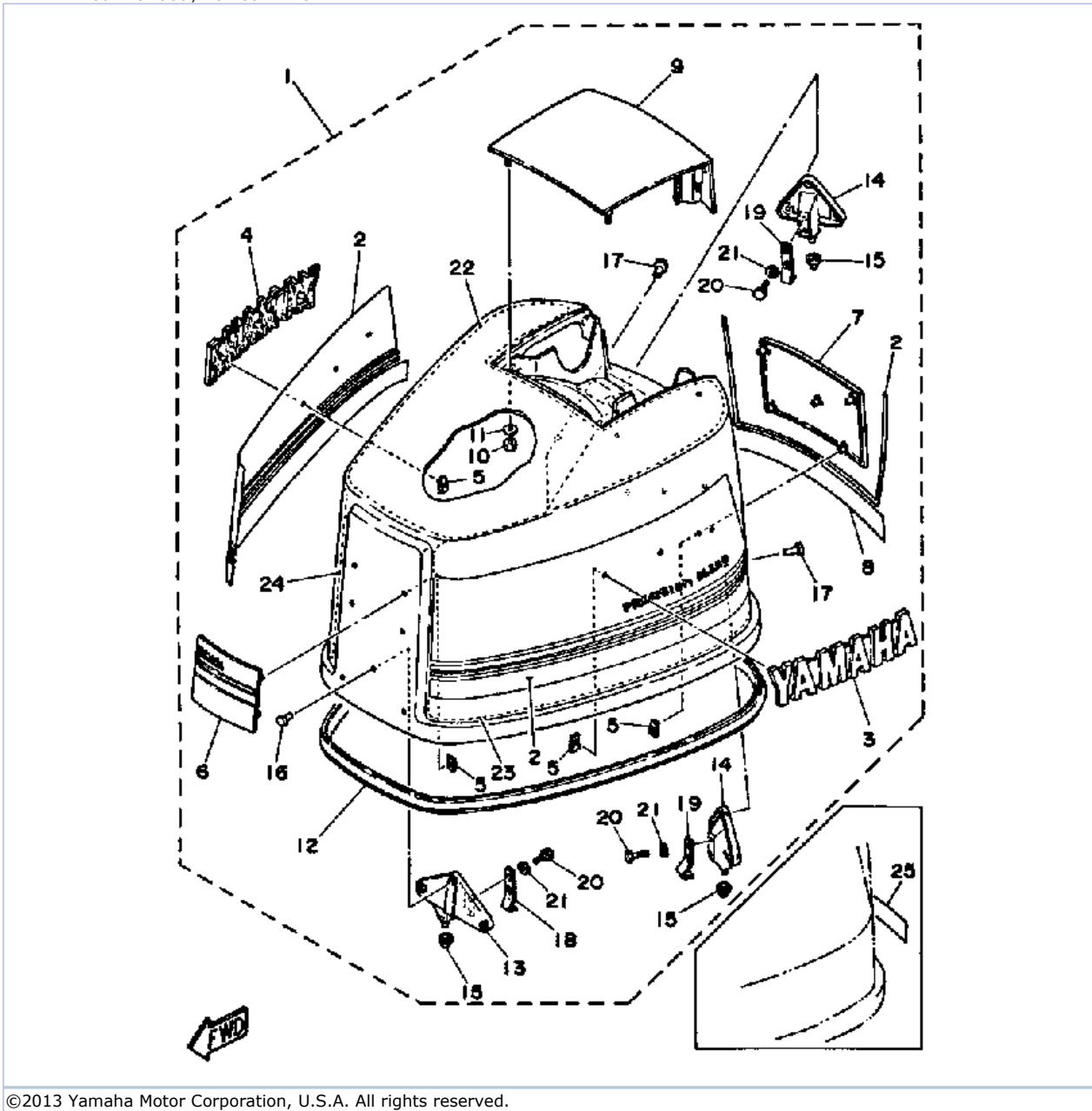


## Part List

L150ETXJ 1986 / FUEL TANK

REF - NO	PART NUMBER	PART NAME	QUANTITY	REMARKS
1	6Y1-W2420-42-24	FUEL TANK ASSEMBLY	1	
2	6Y1-24244-20-00	GRAPHIC, SIDE	1	
3	6Y1-24256-50-00	GRAPHIC, FUEL TANK	1	
4	6Y1-24610-00-00	CAP ASSEMBLY	1	
5	6Y1-24260-02-00	FUEL METER ASSEMBLY	1	
6	6Y1-24268-00-00	.GASKET, FUEL METER	1	
7	6Y1-24329-00-00	.SEAL	4	
8	98586-05016-00	SCREW, PAN HEAD	4	
9	6Y2-24306-51-00	FUEL PIPE COMP 1	1	
10	6E5-24305-02-00	FUEL PIPE JOINT COMP. 2	1	
11	93210-08287-00	..O-RING	1	
12	6Y2-24305-02-00	FUEL PIPE JOINT COMP. 2	1	
13	93210-08287-00	..O-RING	1	
14	90445-13M33-00	HOSE (8-13-1900MM)	1	
15	6E5-24351-51-00	BAND 1	4	
16	90445-13M34-00	HOSE (8-13-1000MM)	1	
17	6Y2-24360-51-00	PRIMER PUMP ASSY	1	
18	656-W2810-02-00	TOOL KIT	1	

L150ETXJ 1986 / TOP COWLING



©2013 Yamaha Motor Corporation, U.S.A. All rights reserved.



## Part List

L150ETXJ 1986 / TOP COWLING

REF - NO	PART NUMBER	PART NAME	QUANTITY	REMARKS
1	6G4-42610-41-EK	TOP COWLING ASSY	1	U.R. 150 MODEL
1	6G6-42610-41-EK	TOP COWLING ASSY	1	U.R. 200 MODEL
2	6G5-W0070-41-00	GRAPHIC SET	1	
3	6G5-42681-00-00	MARK, COWLING	1	
4	6G5-42682-00-00	MARK, COWLING	1	
5	90183-05M01-00	NUT, SPRING	15	
6	6G5-42686-00-00	EMBLEM, FRONT	1	
7	6G6-42687-00-00	EMBLEM, REAR	1	U.R. 200 MODEL
7	6G4-42687-00-00	EMBLEM, REAR	1	U.R. 150 MODEL
8	6G5-42678-20-00	GRAPHIC, REAR	1	
9	6G5-42613-00-EK	MOLDING, AIR DUCT	1	
10	95380-06600-00	NUT, HEXAGON	4	
11	92990-06600-00	WASHER, PLATE	4	
12	6E5-42615-00-00	SEAL	1	
13	6E5-42647-00-94	HOLDER, CLAMP BAND	1	
14	6E5-42649-01-94	HOLDER, CLAMP BAND	2	
15	663-42662-00-00	.DAMPER	3	
16	90266-06M02-00	.RIVET	3	
17	90266-06M02-00	.RIVET	6	
18	688-42652-10-00	.HOOK	1	
19	6E5-42652-00-00	HOOK	2	
20	97395-06016-00	BOLT	6	
21	92990-06600-00	WASHER, PLATE	6	
22	6E5-42617-00-00	DAMPER, FORM	1	
23	689-W4266-50-00	DAMPER, FORM (6G5-42619-00-00)	1	
24	689-W4266-50-00	DAMPER, FORM (6G5-42619-00-00)	1	
25	6K1-42678-G0-00	GRAPHIC, REAR	1	

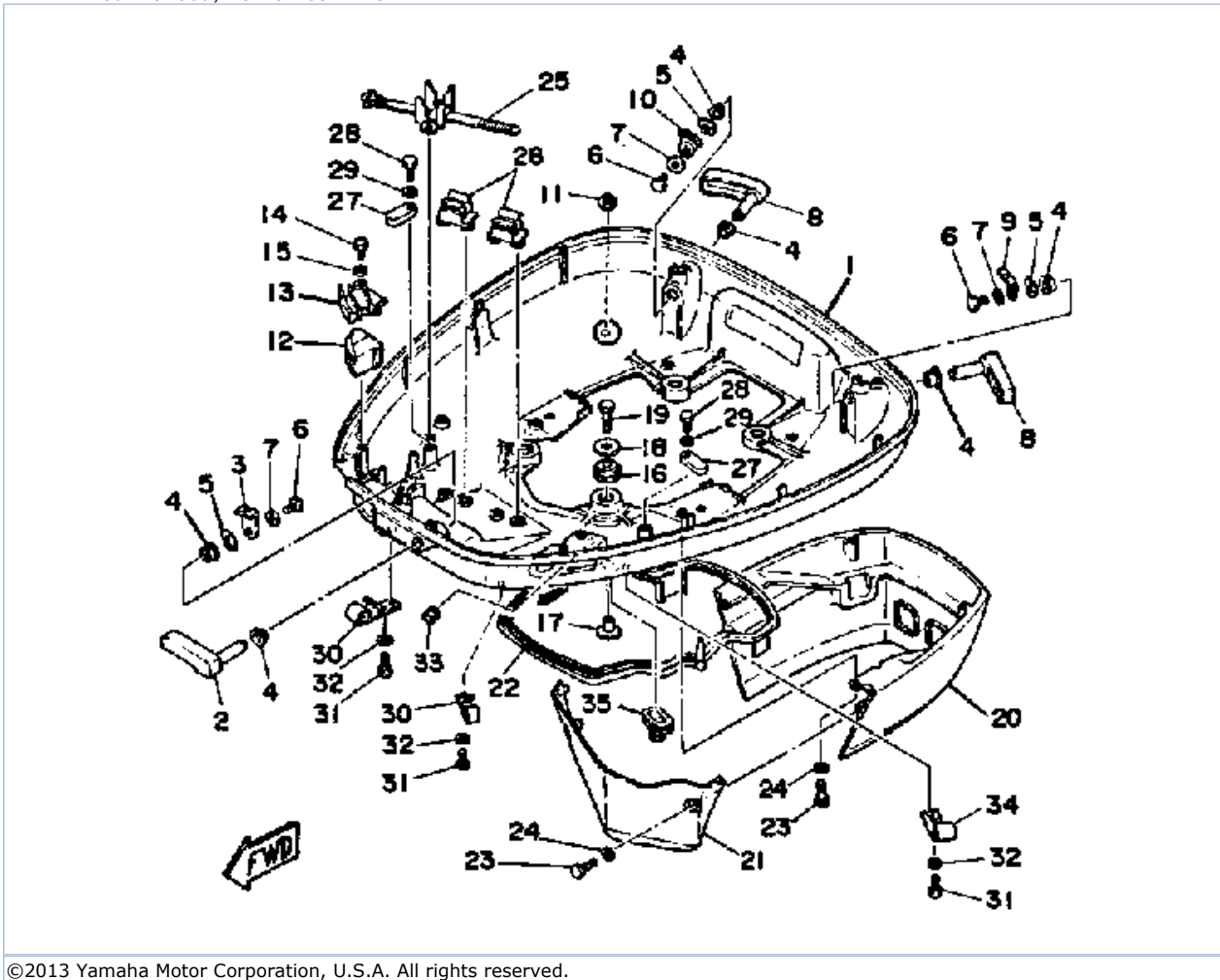
## Part Notes

L150ETXJ 1986 / TOP COWLING

PART NUMBER		NOTE TEXT
92990-06600-00		OEM: This part number is among the Top 100 Most Popular Marine Maintenance Parts as of August 2013.
92990-06600-00		OEM: This part number is among the Top 100 Most Popular Marine Maintenance Parts as of August 2013.

©2013 Yamaha Motor Corporation, U.S.A. All rights reserved.

L150ETXJ 1986 / BOTTOM COWLING







## Part List

L150ETXJ 1986 / BOTTOM COWLING

REF - NO	PART NUMBER	PART NAME	QUANTITY	REMARKS
1	6E5-W4271-41-EK	COWLING, BOTTOM	1	
2	688-42815-00-EK	LEVER, CLAMP	1	
3	688-42816-00-00	LEVER, CLAMP	1	
4	90386-13M38-00	BUSH	6	
5	90206-13M10-00	WASHER, WAVE	3	
6	97395-06012-00	BOLT	3	
7	90201-06M02-00	WASHER, PLATE	3	
8	6E5-42817-00-EK	LEVER, CLAMP 3	2	
9	6G5-42816-00-00	LEVER, CLAMP	1	
10	6E5-42816-01-00	LEVER, CLAMP	1	
11	6E5-44391-00-00	NIPPLE, HOSE	1	
12	6E5-42725-11-00	GROMMET	1	
13	6E5-42738-00-5B	PLATE, FITTING	1	
14	97313-06016-00	BOLT, HEXAGON	2	
15	92990-06600-00	WASHER, PLATE	2	
16	90480-22M15-00	GROMMET	4	
17	90387-08M37-00	COLLAR	4	
18	90201-08M54-00	WASHER, PLATE	4	
19	97090-08035-00	BOLT	4	
20	6E5-42741-00-EK	APRON	1	
21	6E5-42771-00-EK	APRON	1	
22	6E5-42716-00-00	RUBBER, SEAL 1	1	
23	97395-06020-00	BOLT, HEXAGON	6	
24	92990-06600-00	WASHER, PLATE	6	
25	688-82594-00-00	CLAMP	1	
26	6E5-82594-00-00	CLAMP	2	
27	6E5-82588-00-00	PLATE	2	
28	97313-06020-00	BOLT, HEXAGON	2	
29	92990-06600-00	WASHER, PLATE	2	
30	6E5-24367-01-00	CLAMP, FUEL PIPE 2	2	
31	90157-06M01-00	SCREW, PAN HEAD	3	
32	92990-06600-00	WASHER, PLATE	3	
33	90480-13M24-00	GROMMET	1	
34	6E5-24367-10-00	CLAMP, FUEL PIPE 2	1	
35	688-42726-10-00	GROMMET	1	

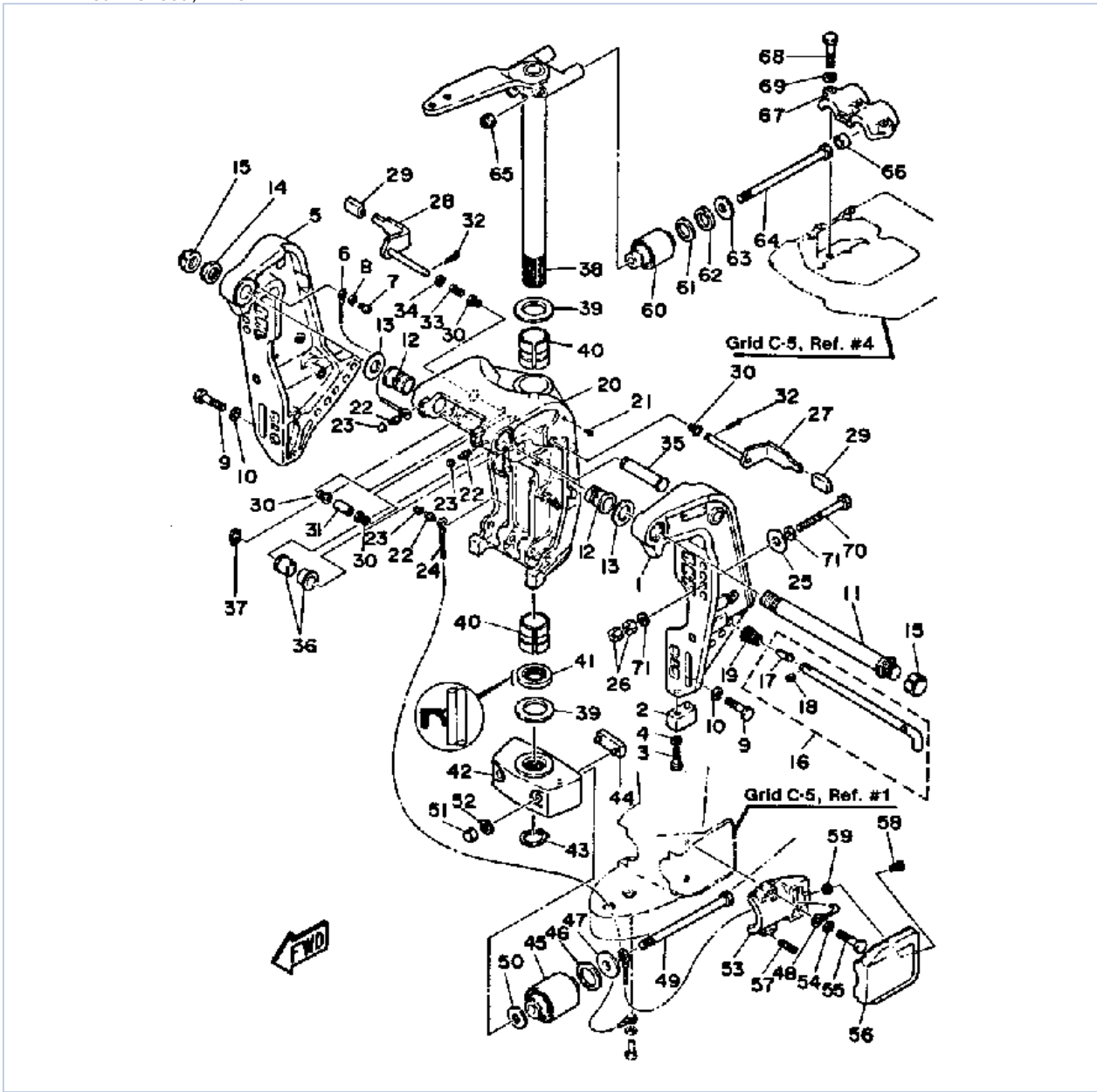
## Part Notes

L150ETXJ 1986 / BOTTOM COWLING

PART NUMBER	NOTE TEXT
92990-06600-00	 OEM: This part number is among the Top 100 Most Popular Marine Maintenance Parts as of August 2013.
92990-06600-00	 OEM: This part number is among the Top 100 Most Popular Marine Maintenance Parts as of August 2013.
92990-06600-00	 OEM: This part number is among the Top 100 Most Popular Marine Maintenance Parts as of August 2013.
92990-06600-00	 OEM: This part number is among the Top 100 Most Popular Marine Maintenance Parts as of August 2013.

©2013 Yamaha Motor Corporation, U.S.A. All rights reserved.

L150ETXJ 1986 / BRACKET



©2013 Yamaha Motor Corporation, U.S.A. All rights reserved.

## Part List





L150ETXJ 1986 / BRACKET

REF - NO	PART NUMBER	PART NAME	QUANTITY	REMARKS
1	6E5-43111-01-EK	BRACKET, CLAMP	1	
2	6E5-45251-00-00	ANODE	1	
3	97395-06025-00	BOLT	2	
4	92990-06600-00	WASHER, PLATE	2	
5	6E5-43112-01-EK	BRACKET, CLAMP	1	
6	6E5-82148-00-00	WIRE, LEAD 4	1	
7	97890-06012-00	SCREW, PAN HEAD	1	
8	92990-06600-00	WASHER, PLATE	1	
9	97395-10045-00	BOLT	6	
10	92990-10100-00	WASHER, SPRING	6	
11	6E5-43131-01-00	BOLT, CLAMP BRACKET	1	
12	90386-25M31-00	BUSH	1	
13	90201-26M59-00	WASHER, PLATE	2	
14	90185-22043-00	NUT, SELF-LOCKING	1	
15	6G5-43145-00-00	CAP, CLAMP BRACKET	2	
16	6E5-43160-10-00	TILT ROD ASSEMBLY	1	
17	688-43165-00-00	.PLATE, TILT LOCK	1	
18	91690-30014-00	PIN, SPRING	1	
19	90502-20M03-00	SPRING, CONICAL	1	
20	6E5-43311-21-EK	BRACKET, SWIVEL	1	
21	90269-03010-00	RIVET	1	
22	93700-06M03-00	NIPPLE, GREASE	3	
23	663-45119-00-00	CAP, GREASE NIPPLE	3	
24	6E5-82147-20-00	WIRE, LEAD 5	1	
25	90201-12426-00	WASHER, PLATE	4	
26	95380-12600-00	NUT	8	
27	6E5-43181-01-00	LEVER, TILT STOP (6E5-43181-00-00)	1	
28	6E5-43185-01-00	LEVER, TILT STOP (6E5-43185-00-00)	1	
29	663-43318-00-00	COVER	2	
30	90386-10M16-00	BUSH	4	
31	90387-10M38-00	COLLAR	1	
32	91490-30030-00	PIN, COTTER	2	
33	90501-10M21-00	SPRING, COMPRESSION	1	
34	92990-10600-00	WASHER, PLATE	1	
35	6E5-43126-02-00	PIN, UPPER SHOCK MOUNT	1	
36	90386-18M44-00	BUSH	2	
37	93410-18M02-00	CIRCLIP	1	
38	6E5-42510-21-EK	STEERING BRACKET ASSY (6E5-42510-20-EK)	1	
39	90201-38M60-00	WASHER, PLATE	2	
40	90386-38M32-00	BUSH	2	
41	93109-38M02-00	OIL SEAL	1	
42	99999-01871-00	HOUSING, LOWER MOUNT (6E5-44551-00-EK)	1	
43	93410-37M04-00	CIRCLIP	1	
44	6E5-44575-00-00	DAMPER, LOWER MOUNT RUBBER	1	
45	6G5-44555-00-94	MOUNT DAMPER, LOWER SIDE	2	
46	90202-32M19-00	WASHER, PLATE	2	
47	90201-16M55-00	WASHER, PLATE	2	
48	6E5-82149-00-00	WIRE, LEAD 3	1	
49	90109-14M10-00	BOLT	2	

50	90201-15M58-00	WASHER, PLATE	2	
51	95380-14800-00	NUT	2	
52	92990-14600-00	WASHER	2	
53	6E5-44552-00-94	HOUSING, LOWER MOUNT RUBBER	2	
54	92990-10100-00	WASHER, SPRING	4	
55	97395-10045-00	BOLT	4	
56	6E5-44553-00-EK	COVER, LOWER MOUNT	2	
57	90501-16M28-00	SPRING, COMPRESSION	4	
58	98580-06016-00	SCREW, PAN HEAD	2	
59	90179-06066-00	NUT	2	
60	6G5-44514-00-94	MOUNT DAMPER, UPPER SIDE	2	
61	90201-26M57-00	WASHER, PLATE	2	
62	90202-26M18-00	WASHER, PLATE	2	
63	90201-14M56-00	WASHER, PLATE	2	
64	90109-12M37-00	BOLT	2	
65	90185-12058-00	NUT, SELF-LOCKING	2	
66	663-44575-00-00	DAMPER, LOWER MOUNT RUBBER	2	
67	6E5-44511-00-5B	COVER, UPPER MOUNT	1	
68	97395-10045-00	BOLT	3	
69	92990-10100-00	WASHER, SPRING	3	
70	90101-12M65-00	BOLT	4	
71	92990-12200-00	WASHER, PLAIN	8	

## Part Notes

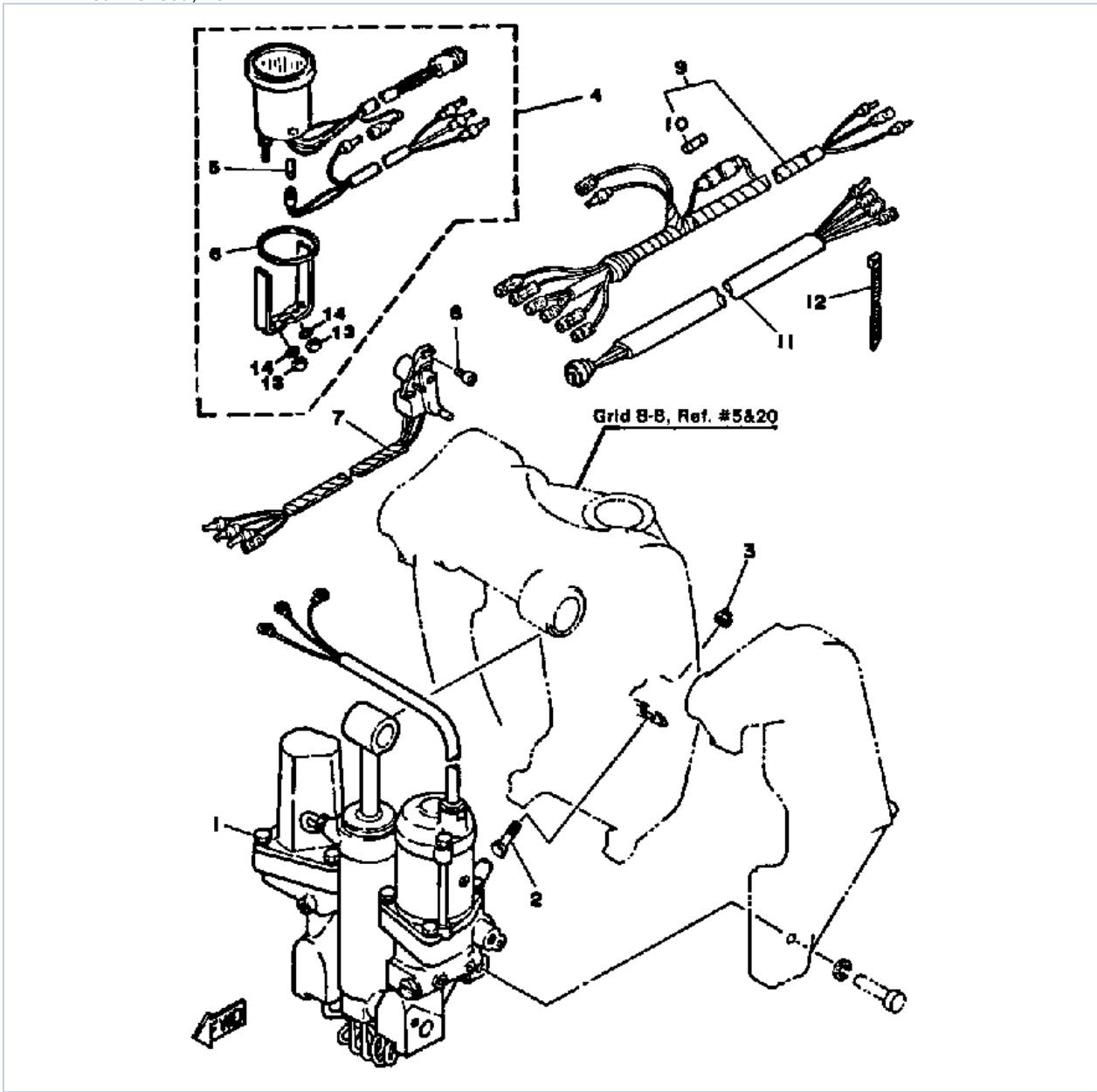
L150ETXJ 1986 / BRACKET

PART NUMBER		NOTE TEXT
92990-06600-00		OEM: This part number is among the Top 100 Most Popular Marine Maintenance Parts as of August 2013.
92990-06600-00		OEM: This part number is among the Top 100 Most Popular Marine Maintenance Parts as of August 2013.
93700-06M03-00		OEM: This part number is among the Top 100 Most Popular Marine Maintenance Parts as of August 2013.
92990-10600-00		OEM: This part number is among the Top 100 Most Popular Marine Maintenance Parts as of August 2013.

©2013 Yamaha Motor Corporation, U.S.A. All rights reserved.



L150ETXJ 1986 / POWER TRIM TILT



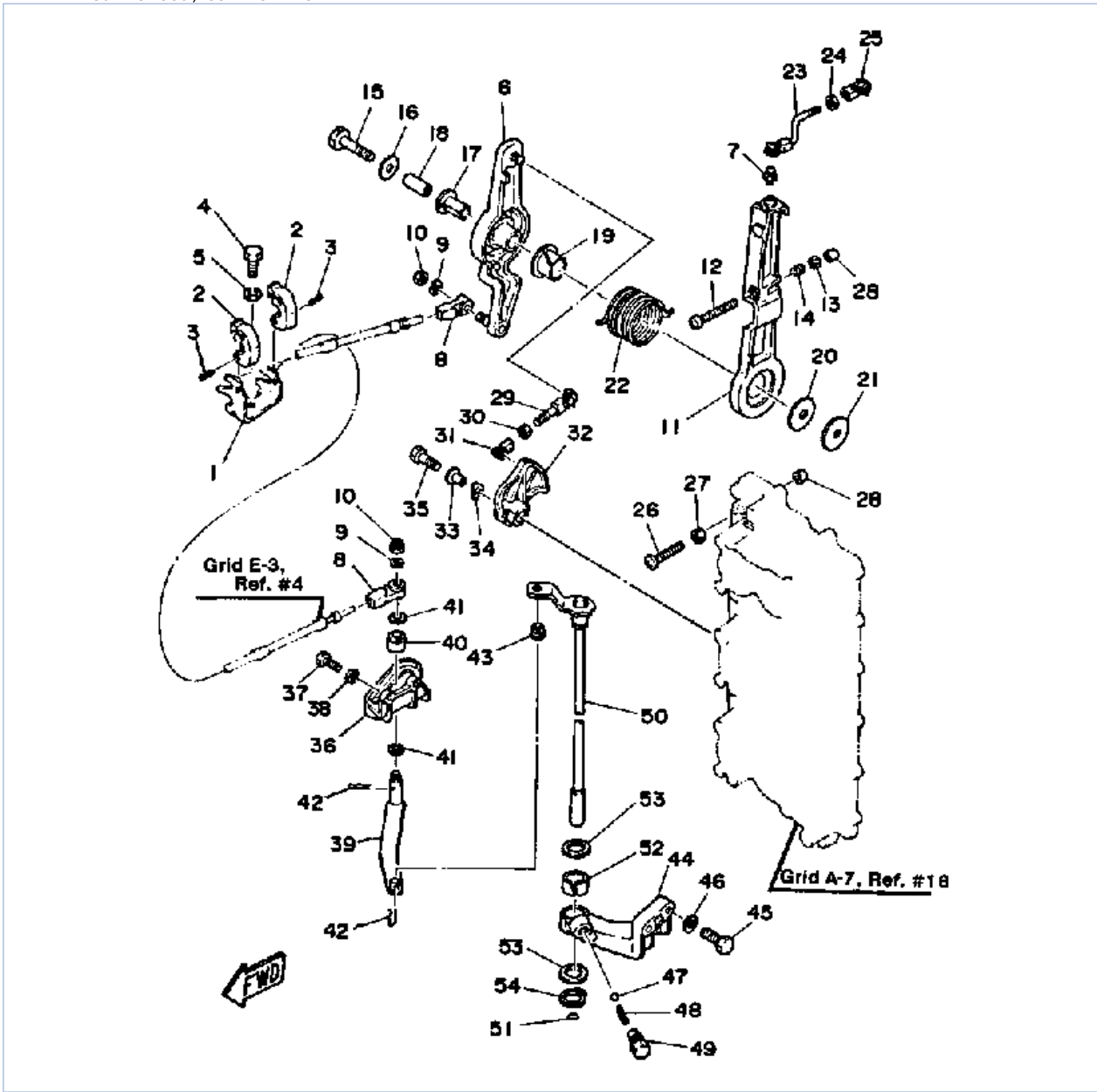
©2013 Yamaha Motor Corporation, U.S.A. All rights reserved.

## Part List

L150ETXJ 1986 / POWER TRIM TILT

REF - NO	PART NUMBER	PART NAME	QUANTITY	REMARKS
1	6E5-43800-06-EK	POWER TRIM & TILT ASSY	1	SEE NOTE
2	6E5-43376-01-00	BOLT, THRUST RECEIVER	2	
3	95780-08300-00	.NUT, FLANGE	2	
4	6Y5-83670-01-00	TRIM METER	1	
5	6Y5-83518-00-00	.BULB (12V-1.7W T6.5)	1	
6	688-83664-00-00	.DAMPER	1	
7	6E5-83672-01-00	TRIM SENDER	1	
8	98580-06016-00	SCREW, PAN HEAD	2	
9	6Y5-83553-00-00	WIRE, LEAD (L=2.5M)	1	
10	1E6-82151-00-00	FUSE (10A)	1	
11	6E5-82553-10-00	EXTENSION, WIRE HARNESS	1	
12	90465-11M10-00	CLAMP	3	
13	95380-05600-00	NUT	2	
14	92990-05100-00	.WASHER, SPRING	2	

L150ETXJ 1986 / CONTROL ENGINE



©2013 Yamaha Motor Corporation, U.S.A. All rights reserved.

## Part List

L150ETXJ 1986 / CONTROL ENGINE

REF - NO	PART NUMBER	PART NAME	QUANTITY	REMARKS
1	6E5-48531-00-00	BRACKET, REMOTE CONTROL 1	1	
2	6E5-48538-00-00	CLAMP, CABLE	2	
3	91690-30012-00	PIN, SPRING	2	
4	97313-08020-00	BOLT, HEXAGON	1	
5	92990-08100-00	WASHER, SPRING	1	
6	61H-41632-00-94	LEVER, MAGNETO CONTROL (6G5-41632-01-94)	1	
7	663-85518-00-00	JOINT, BALL	1	
8	6E5-48344-00-00	CABLE END, REMOTE CONTROL	2	
9	92990-06200-00	..WASHER, PLAIN	2	
10	90185-06062-00	NUT, SELF-LOCKING	2	
11	6G5-41631-01-94	LEVER, MAGNETO CONTROL	1	
12	90157-06M11-00	SCREW, PAN HEAD	1	
13	95380-06600-00	NUT, HEXAGON	1	
14	90501-16M12-00	SPRING, COMPRESSION	1	
15	97313-08045-00	BOLT, HEXAGON	1	
16	90201-08M54-00	WASHER, PLATE	1	
17	90386-12089-00	BUSH	1	
18	90387-08M16-00	COLLAR	1	
19	90386-22M13-00	BUSH	1	
20	90202-12092-00	WASHER, PLATE	1	
21	90201-08M13-00	WASHER, PLATE	1	
22	90508-29M12-00	SPRING, TORSION	1	
23	6G5-41636-01-00	ROD, MAGNETO CONTROL	1	
24	95380-05600-00	NUT	1	
25	6H1-41237-00-00	JOINT, LINK	1	
26	90157-06M13-00	SCREW, PAN HEAD	1	
27	95380-06600-00	NUT, HEXAGON	1	
28	688-44194-00-00	CAP	2	
29	6G5-41211-01-00	LINK, ACCEL.	1	
30	95380-05600-00	NUT	1	
31	6H1-41237-00-00	JOINT, LINK	1	
32	6G5-41213-00-00	CAM, ACCEL.	1	
33	90387-06M29-00	COLLAR	1	
34	90206-10M04-00	WASHER, WAVE	1	
35	97313-06025-00	BOLT	1	
36	6E5-44117-00-94	BRACKET	1	
37	97313-06020-00	BOLT, HEXAGON	2	
38	92990-06600-00	WASHER, PLATE	2	
39	6E5-44121-00-00	LEVER, SHIFT ROD	1	
40	6E5-44122-00-00	BUSHING, SHIFT ROD LEVER	1	
41	90202-08M20-00	WASHER, PLATE	2	
42	90468-18008-00	CLIP	2	
43	90386-06M12-00	BUSH	1	
44	6E5-44118-01-94	BRACKET	1	
45	97313-08030-00	BOLT	2	
46	92990-08600-00	.WASHER, PLATE	2	
47	93501-04M02-00	BALL	1	
48	90501-12082-00	SPRING, COMPRESSION	1	
49	648-42715-00-00	BUSHING	1	
50	6E5-44120-22-00	HANDEL, GEAR SHIFT ASSEMBLY	1	
51	93210-09350-00	O-RING	1	

52	90386-16M66-00	BUSH	1
53	90202-16061-00	WASHER, PLATE	2
54	99009-16400-00	CIRCLIP	1

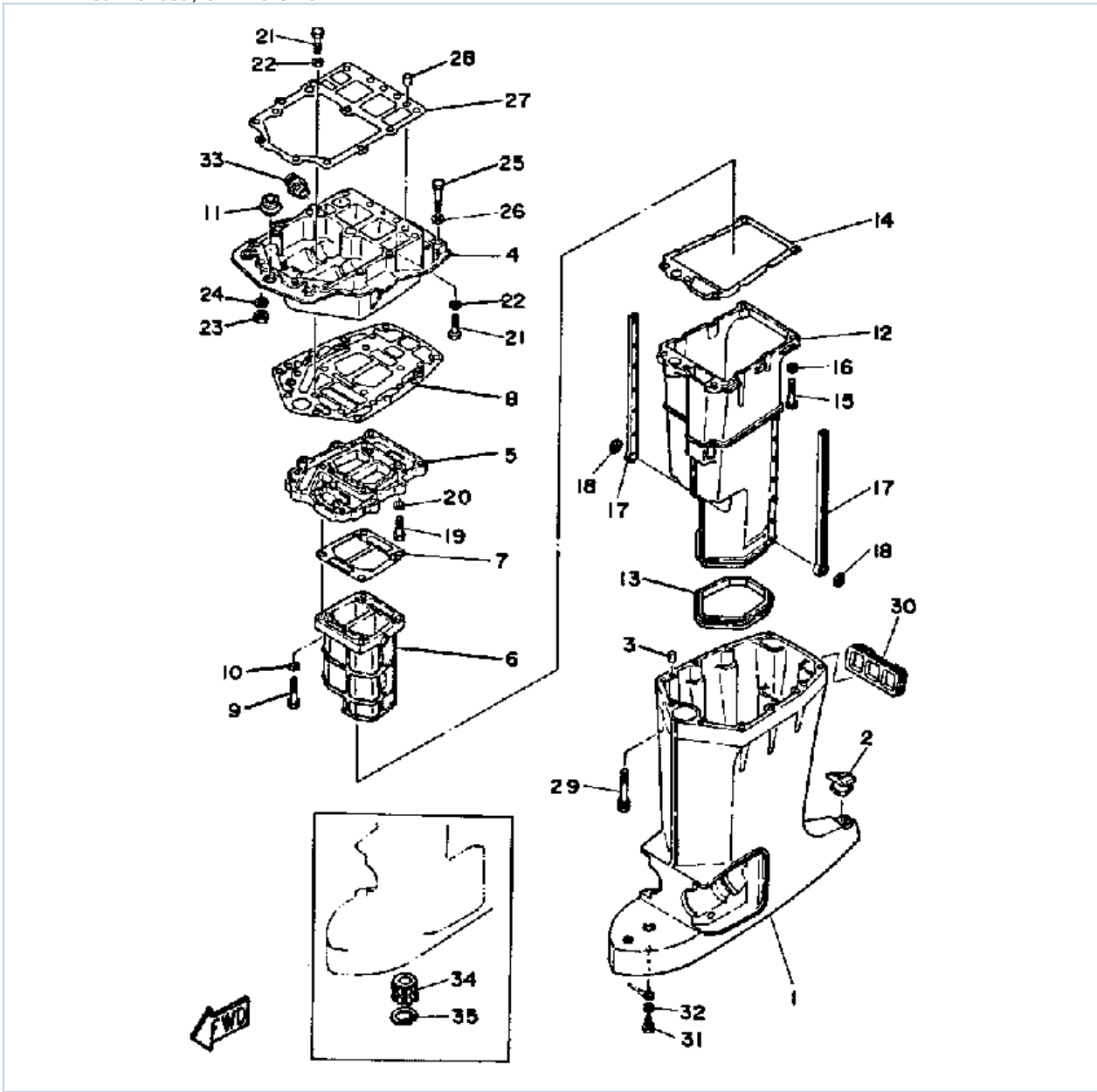
## Part Notes

L150ETXJ 1986 / CONTROL ENGINE

PART NUMBER		NOTE TEXT
6H1-41237-00-00		OEM: This part number is among the Top 100 Most Popular Marine Maintenance Parts as of August 2013.
6H1-41237-00-00		OEM: This part number is among the Top 100 Most Popular Marine Maintenance Parts as of August 2013.
92990-06600-00		OEM: This part number is among the Top 100 Most Popular Marine Maintenance Parts as of August 2013.

©2013 Yamaha Motor Corporation, U.S.A. All rights reserved.

L150ETXJ 1986 / UPPER CASING




## Part List

L150ETXJ 1986 / UPPER CASING

REF - NO	PART NUMBER	PART NAME	QUANTITY	REMARKS
1	6E5-45111-20-EK	CASING, UPPER	1	
2	6E5-45155-00-00	CAP	1	
3	93608-12M05-00	PIN, DOWEL	2	
4	6G5-41137-00-94	GUIDE, EXHAUST	1	
5	6G5-41131-00-5B	MANIFOLD, EXHAUST 1 (6G5-41131-00-9M)	1	
6	6G5-41132-00-5B	MANIFOLD, EXHAUST (6G5- 41132-00-9M)	1	
7	6G5-41134-00-00	GASKET, EXHAUST MANIFOLD	1	
8	6G5-45114-00-00	GASKET, UPPER CASING	1	
9	97395-08045-00	BOLT	4	
10	92990-08600-00	.WASHER, PLATE	4	
11	6E5-42724-00-00	GROMMET	1	
12	6E5-14711-00-5B	MUFFLER 1 (6E5-14711-00- 9M)	1	
13	6E5-45123-00-00	.GASKET, MUFFLER	1	
14	6E5-41135-00-00	GASKET, EXHAUST MANIFOLD	1	
15	97395-08045-00	BOLT	5	
16	92990-08600-00	.WASHER, PLATE	5	
17	6E5-14737-00-00	DAMPER, MUFFLER	2	
18	90183-05M02-00	NUT, SPRING	2	
19	97395-08030-00	BOLT	4	
20	92990-08600-00	.WASHER, PLATE	4	
21	97395-08030-00	BOLT	6	
22	92990-08100-00	WASHER, SPRING	6	
23	95380-08700-00	NUT	2	
24	92990-08100-00	WASHER, SPRING	2	
25	97395-08045-00	BOLT	2	
26	92990-08100-00	WASHER, SPRING	2	
27	6G5-45113-A0-00	GASKET, UPPER CASING	1	
28	93608-12M05-00	PIN, DOWEL	2	
29	90119-08M78-00	BOLT, WITH WASHER	6	
30	6E5-42769-00-00	SEAL, RUBBER	1	
31	97395-06010-00	BOLT	1	
32	92990-06600-00	WASHER, PLATE	1	
33	6G5-12581-00-00	JOINT, HOSE 1	1	
34	6E5-45318-00-00	BUSHING, DRIVE SHAFT	1	
35	93420-36M01-00	CIRCLIP	1	

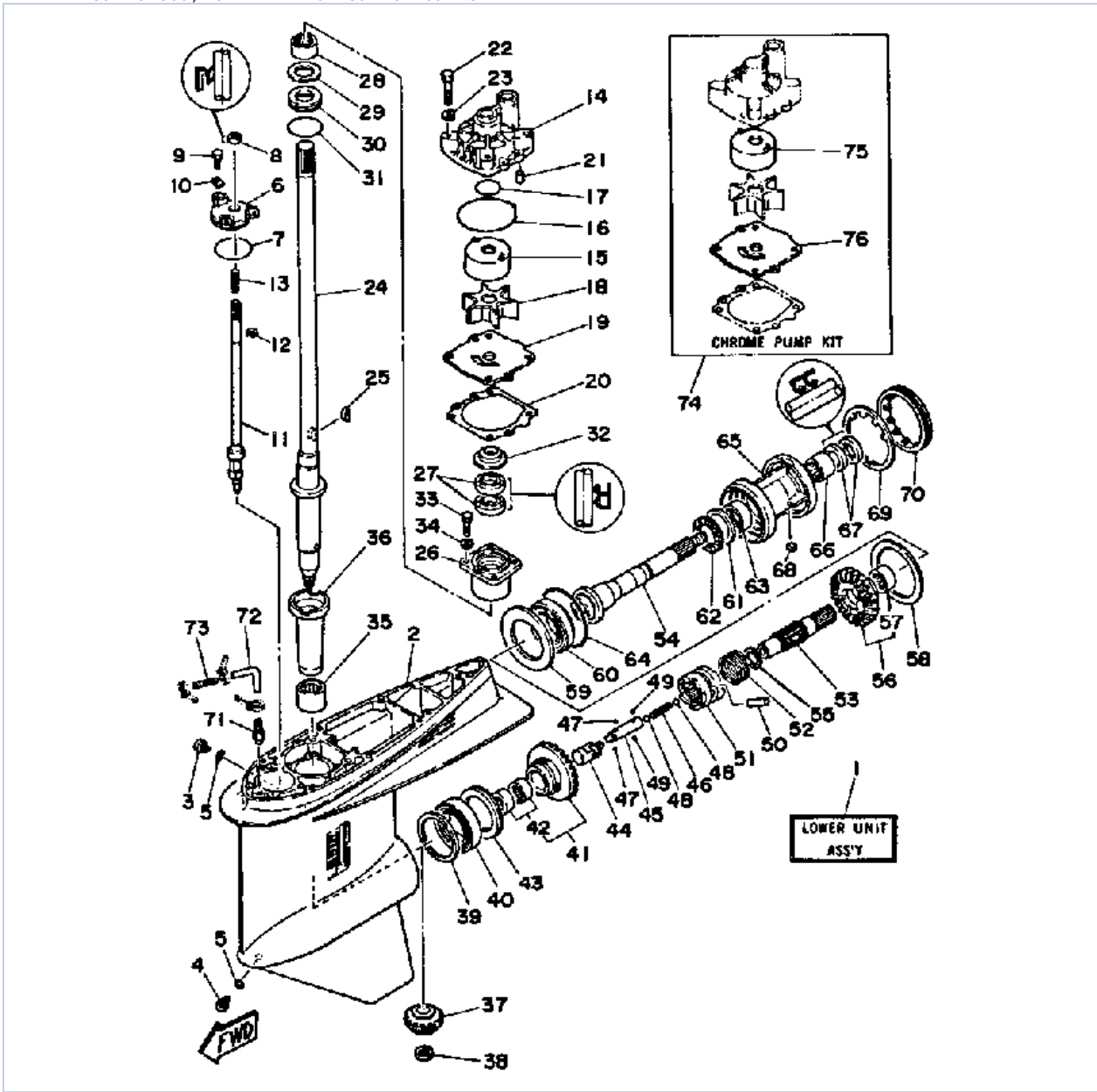
## Part Notes

L150ETXJ 1986 / UPPER CASING

PART NUMBER	NOTE TEXT
92990-06600-00 	OEM: This part number is among the Top 100 Most Popular Marine Maintenance Parts as of August 2013.

©2013 Yamaha Motor Corporation, U.S.A. All rights reserved.

L150ETXJ 1986 / LOWER DRIVE 3 L150ETXJ L200ETXJ



©2013 Yamaha Motor Corporation, U.S.A. All rights reserved.



## Part List







L150ETXJ 1986 / LOWER DRIVE 3 L150ETXJ L200ETXJ

REF - NO	PART NUMBER	PART NAME	QUANTITY	REMARKS
1	6K1-45300-20-EK	LOWER UNIT ASSEMBLY	1	
2	6G5-45301-00-EK	LOWER CASING	1	
3	90340-08M04-00	PLUG, STRAIGHT SCREW	1	
4	688-45341-00-00	PLUG, DRAIN	1	
5	90430-08020-00	.GASKET	2	
6	6E5-45321-00-00	PLATE	1	
7	93210-58677-00	O-RING	1	
8	93106-09014-00	.OIL SEAL	1	
9	97395-06020-00	BOLT, HEXAGON	3	
10	90209-06M04-00	WASHER	3	
11	6K1-44150-00-00	SHIFT CAM ASSY	1	
12	99001-08600-00	CIRCLIP	1	
13	90501-11M10-00	SPRING, COMPRESSION	1	
14	6E5-44311-00-00	HOUSING, WATER PUMP	1	
15	6E5-44322-00-00	INSERT, CARTRIDGE	1	
16	93210-86M38-00	.O-RING	1	
17	93210-37M67-00	O-RING	1	
18	6E5-44352-00-00	IMPELLER	1	
19	6G5-44323-00-00	.OUTER PLATE, CARTRIDGE	1	
20	6E5-44315-00-00	GASKET, WATER PUMP	1	
21	93606-12019-00	.PIN, DOWEL	1	
22	97395-08045-00	BOLT	4	
23	90209-08M02-00	WASHER	4	
24	6G5-45501-21-00	DRIVE SHAFT COMP.	1	
25	90280-04M05-00	.KEY, WOODRUFF	1	
26	6E5-45331-00-94	HOUSING, BEARING	1	
27	93101-28M16-00	.OIL SEAL	2	
28	93317-330U2-00	BEARING	1	
29	6E5-45587-00-05	SHIM 3	1	U.R.
29	6E5-45587-00-08	SHIM 3	1	U.R.
29	6E5-45587-01-12	SHIM (T:0.12MM)	1	U.R.
29	6E5-45587-01-30	SHIM (T:0.30MM)	1	U.R.
29	6E5-45587-01-50	SHIM (T:0.50MM)	1	U.R.
30	93341-930U0-00	BEARING, THRUST	1	
31	93210-54534-00	O-RING	1	
32	6E5-45344-00-00	COVER, OIL SEAL	1	
33	97395-08025-00	BOLT	4	
34	92990-08600-00	.WASHER, PLATE	4	
35	93311-928U5-00	BEARING	1	
36	6E5-45536-00-00	SLEEVE, DRIVE SHAFT	1	
37	6G5-45551-01-00	PINION (14T)	1	
38	90170-16M01-00	NUT	1	
39	6G5-45567-00-05	SHIM	1	U.R.
39	6G5-45567-00-08	SHIM	1	U.R.
39	6G5-45567-01-12	SHIM (T:0.12MM)	1	U.R.
39	6G5-45567-01-30	SHIM (T:0.30MM)	1	U.R.
39	6G5-45567-01-50	SHIM (T:0.50MM)	1	U.R.
40	93390-000U2-00	BEARING	1	
41	6K1-45560-01-00	GEAR 1 (26T)	1	
42	93315-425V3-00	.BEARING	1	
43	93341-465U4-00	BEARING	1	
44	6K1-45641-00-00	SHIFTER	1	
45	6E5-45634-01-00	SLIDE, SHIFT	1	

46	90501-16M37-00	SPRING, COMPRESSION	1	
47	93507-32031-00	BALL 7-32	2	
48	93511-32027-00	BALL	2	
49	93503-16010-00	BALL 3-16	2	
50	90250-08M07-00	PIN, STRAIGHT	1	
51	6G5-45631-00-00	CLUTCH, DOG	1	
52	6E5-45633-01-00	RING, CROSS PIN	1	
53	6K1-45611-00-00	SHAFT, PROPELLER	1	
54	6K1-45611-20-00	SHAFT, PROPELLER	1	
55	90201-26M00-00	WASHER, PLATE	1	
56	6K1-45570-00-00	GEAR	1	
57	93315-430V5-00	.BEARING	1	
58	6G5-45577-01-05	SHIM	1	
58	6G5-45577-01-08	SHIM	1	
58	6G5-45577-02-12	SHIM (T:0.12MM)	1	
58	6G5-45577-02-30	SHIM (T:0.30MM)	1	
58	6G5-45577-02-50	SHIM (T:0.50MM)	1	
59	6K1-45576-00-00	WASHER, THRUST 2	1	
60	93332-00048-00	BEARING	1	
61	6K1-45578-00-05	WASHER, THRUST	1	
61	6K1-45578-00-08	WASHER, THRUST	1	
61	6K1-45578-00-12	WASHER, THRUST	1	
61	6K1-45578-00-30	WASHER, THRUST	1	
61	6K1-45578-00-50	WASHER, THRUST	1	
62	93341-440U5-00	BEARING	1	
63	93315-440V6-00	BEARING	1	
64	93210-97M55-00	.O-RING	1	
65	93315-430U8-00	BEARING	1	
66	93315-430U8-00	BEARING	1	
67	93101-30M17-00	.OIL SEAL	2	
68	90282-04010-00	KEY, STRAIGHT	1	
69	6G5-45383-01-00	WASHER, CLAW	1	
70	6G5-45384-00-00	NUT	1	
71	6E5-45378-00-00	NIPPLE, HOSE	1	
72	90445-07ME9-00	HOSE (L120)	1	
73	6E5-83558-10-00	END, NIPPLE	1	
74	6G5-W0078-0A-00	CHROME PUMP KIT	1	
75	6E5-44322-41-00	INSERT, CARTRIDGE	1	
76	6G5-44323-40-00	.OUTER PLATE, CARTRIDGE	1	

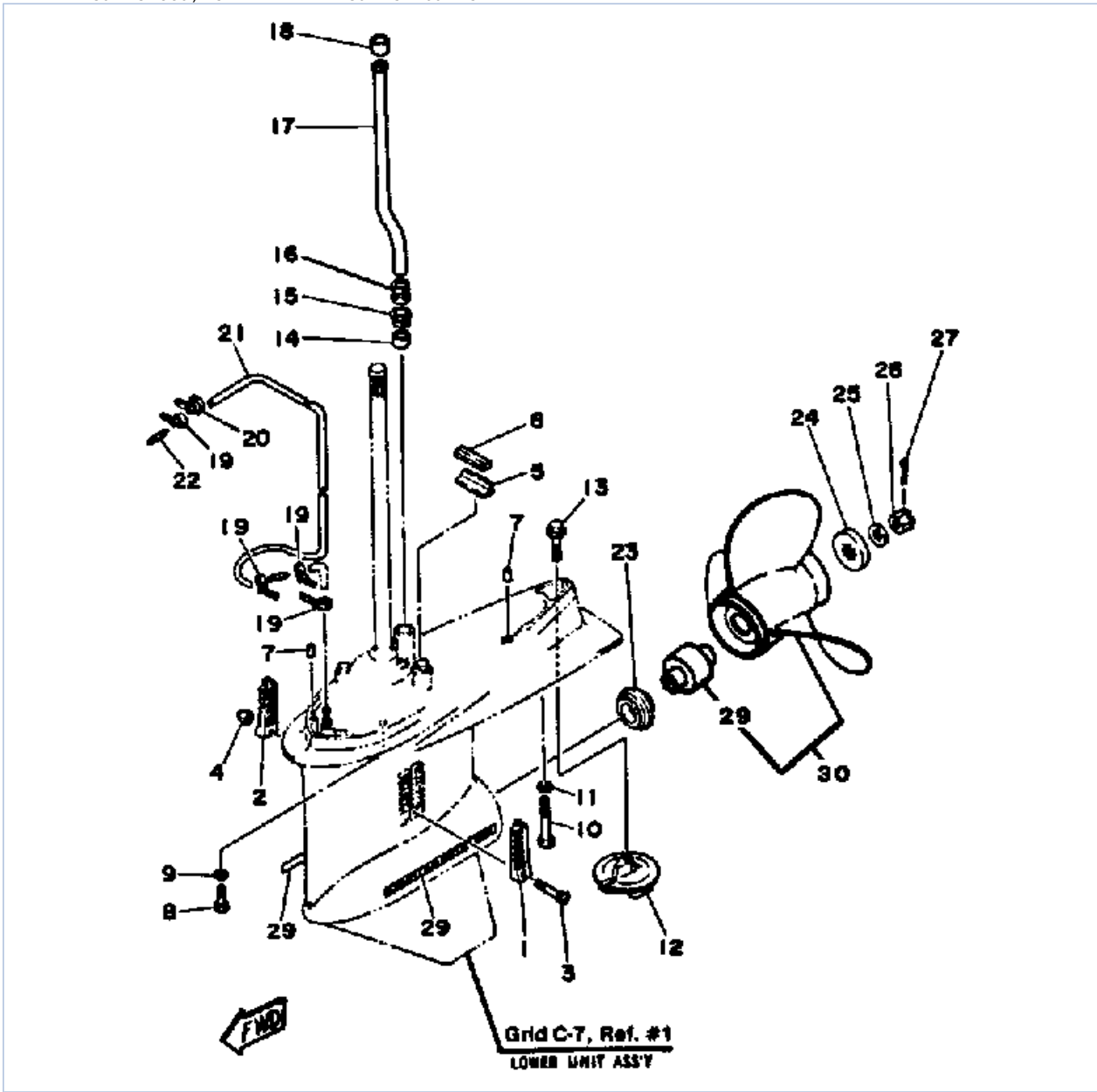
## Part Notes

L150ETXJ 1986 / LOWER DRIVE 3 L150ETXJ L200ETXJ

PART NUMBER		NOTE TEXT
90430-08020-00		OEM: This part number is among the Top 100 Most Popular Marine Maintenance Parts as of August 2013.
93106-09014-00		OEM: This part number is among the Top 100 Most Popular Marine Maintenance Parts as of August 2013.
93210-86M38-00		OEM: This part number is among the Top 100 Most Popular Marine Maintenance Parts as of August 2013.
93101-28M16-00		OEM: This part number is among the Top 100 Most Popular Marine Maintenance Parts as of August 2013.
93210-54534-00		OEM: This part number is among the Top 100 Most Popular Marine Maintenance Parts as of August 2013.
93101-30M17-00		OEM: This part number is among the Top 100 Most Popular Marine Maintenance Parts as of August 2013.

©2013 Yamaha Motor Corporation, U.S.A. All rights reserved.

L150ETXJ 1986 / LOWER DRIVE 4 L150ETXJ L200ETXJ



©2013 Yamaha Motor Corporation, U.S.A. All rights reserved.



## Part List

L150ETXJ 1986 / LOWER DRIVE 4 L150ETXJ L200ETXJ

REF - NO	PART NUMBER	PART NAME	QUANTITY	REMARKS
1	6G5-45214-00-00	COVER, WATER INLET	1	
2	6G5-45215-00-00	COVER, WATER INLET	1	
3	90142-05M03-00	SCREW, COUNTERSUNK	1	
4	90185-05002-00	NUT, NYLON	1	
5	663-45376-00-94	GUIDE, SEAL DAMPER	1	SEE NOTE
6	688-45375-00-00	DAMPER, SEAL	1	SEE NOTE
7	93608-12M05-00	PIN, DOWEL	2	
8	97395-10045-00	BOLT	6	
9	92990-10100-00	WASHER, SPRING	6	
10	97395-10070-00	BOLT	1	
11	92990-10100-00	WASHER, SPRING	1	
12	6K1-45371-00-00	TAB, TRIM	1	
13	90105-10M00-00	BOLT, FLANGE	1	
14	6E5-44365-00-00	DAMPER, WATER SEAL 1	1	SEE NOTE
15	6E5-44312-00-00	COVER, WATER PUMP HOUSING	1	SEE NOTE
16	6E5-44366-00-00	DAMPER, WATER SEAL 2	1	
17	6E5-44361-20-00	TUBE, WATER 1	1	
18	6E5-44365-00-00	DAMPER, WATER SEAL 1	1	
19	90465-11M10-00	CLAMP	4	
20	90465-11M10-00	CLAMP	1	
21	90445-07MF0-00	HOSE (L1030)	1	
22	6E5-83558-00-00	END, NIPPLE	1	
23	6E5-45987-00-00	SPACER 1	1	
24	688-45997-01-00	SPACER 2	1	
25	92990-18200-00	WASHER	1	
26	90171-18M04-00	NUT, CASTLE	1	
27	91490-40030-00	PIN. COTTER	1	
28	6K1-45978-01-98	SS PROP 13-3/4X17 (3X13-3/4"X17"-ML)	1	
28	6K1-45974-01-98	PROPELLER (3X13-3/4"X19"-ML) (6K1-45974-00-98)	1	
28	6K1-45972-01-98	PROPELLER (3X13-3/4"X21"-ML)	1	
29	6G5-45981-00-00	DAMPER RUBBER, PROPELLER	1	
30	6K1-45392-00-00	GRAPHIC, LOWER	2	

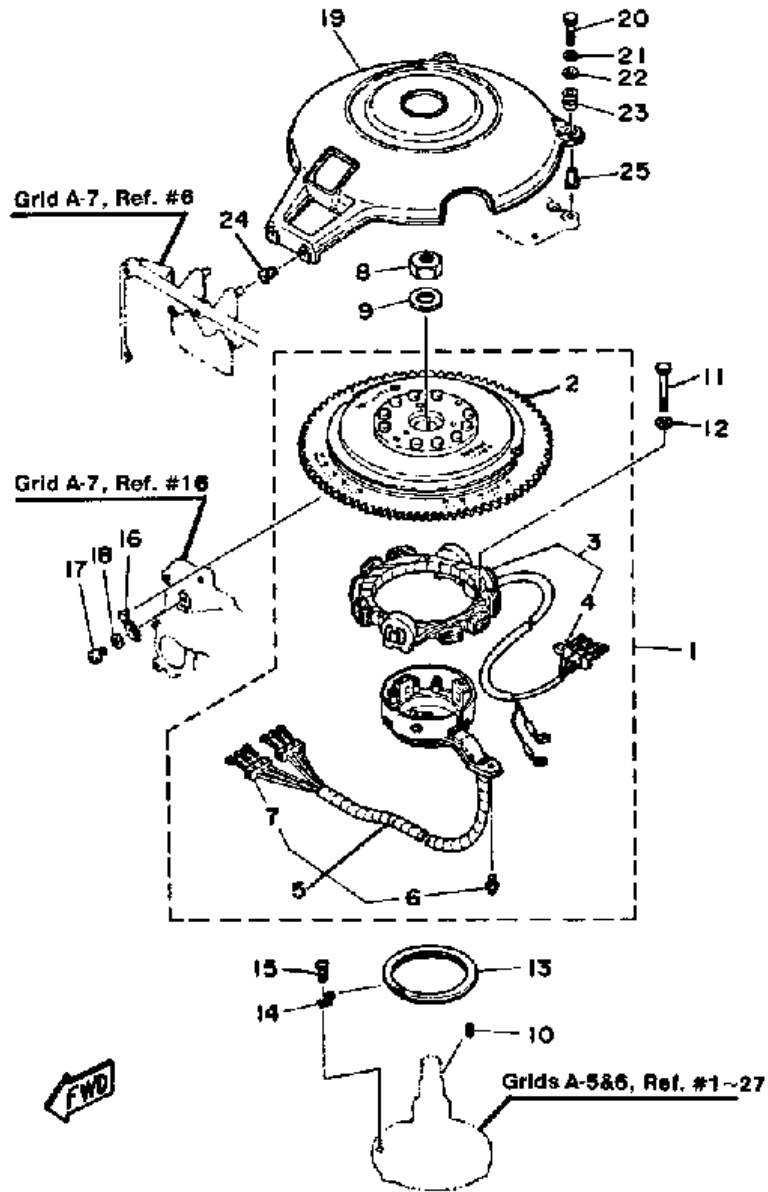
## Part Notes

L150ETXJ 1986 / LOWER DRIVE 4 L150ETXJ L200ETXJ

PART NUMBER		NOTE TEXT
90105-10M00-00		OEM: This part number is among the Top 100 Most Popular Marine Maintenance Parts as of August 2013.
91490-40030-00		OEM: This part number is among the Top 100 Most Popular Marine Maintenance Parts as of August 2013.

©2013 Yamaha Motor Corporation, U.S.A. All rights reserved.

L150ETXJ 1986 / CDI MAGNETO



©2013 Yamaha Motor Corporation, U.S.A. All rights reserved.



## Part List

L150ETXJ 1986 / CDI MAGNETO

REF - NO	PART NUMBER	PART NAME	QUANTITY	REMARKS
2	6G5-85550-12-00	ROTOR ASSY	1	
3	6G5-85510-11-00	STATOR ASSY	1	
4	90480-06M16-00	GROMMET	1	
5	6G5-85580-13-00	COIL, PULSER	1	
6	663-85518-00-00	JOINT, BALL	1	
7	90480-06M16-00	GROMMET	1	
8	90170-20137-00	NUT	1	
9	90201-21M18-00	WASHER, PLATE	1	
10	90280-05049-00	KEY, WOODRUFF	1	
11	97313-06055-00	BOLT, HEXAGON	3	
12	92990-06600-00	WASHER, PLATE	3	
13	688-41611-00-00	RETAINER, MAGNETO BASE	1	
14	688-41612-00-00	RETAINER, MAGNETO BASE	4	
15	98580-06018-00	SCREW, PAN HEAD	4	
16	6E5-81332-00-00	PLATE, TIMING	1	
17	98580-06010-00	SCREW, PAN HEAD	1	
18	92990-06600-00	WASHER, PLATE	1	
19	6E5-81337-00-00	COVER, FLYWHEEL	1	
20	97313-06030-00	BOLT	2	
21	92995-06100-00	WASHER, SPRING	2	
22	90201-06M62-00	WASHER, PLATE	2	
23	663-82317-00-00	DAMPER, IGNITION COIL	2	
24	6G5-82317-00-00	DAMPER, IGNITION COIL	2	
25	624-42542-00-00	PIPE	2	

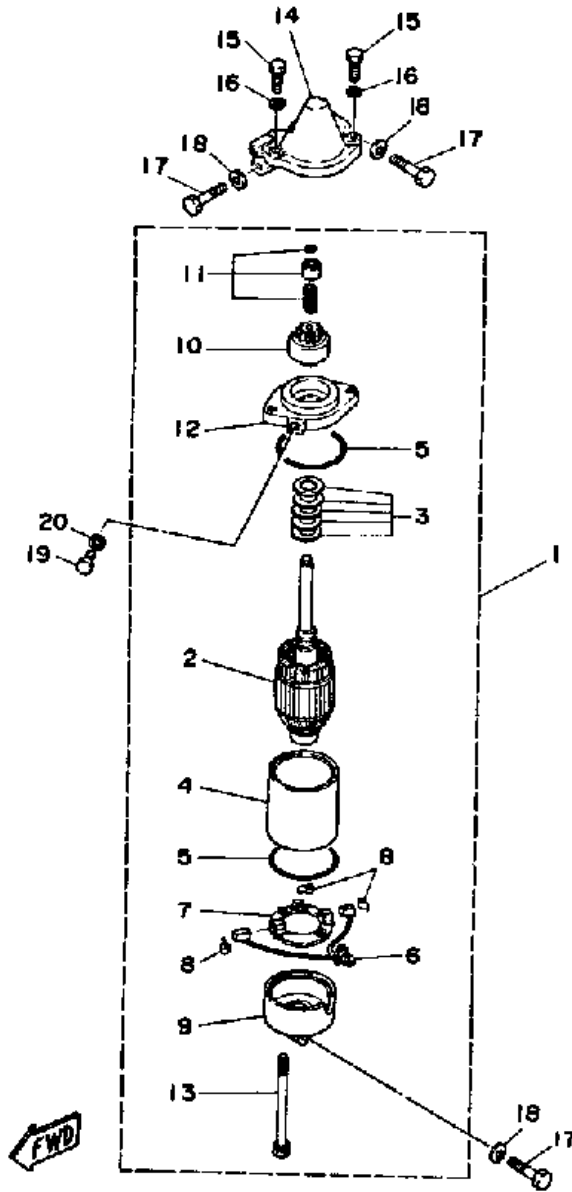
## Part Notes

L150ETXJ 1986 / CDI MAGNETO

PART NUMBER		NOTE TEXT
92990-06600-00		OEM: This part number is among the Top 100 Most Popular Marine Maintenance Parts as of August 2013.
92990-06600-00		OEM: This part number is among the Top 100 Most Popular Marine Maintenance Parts as of August 2013.
92995-06100-00		OEM: This part number is among the Top 100 Most Popular Marine Maintenance Parts as of August 2013.

©2013 Yamaha Motor Corporation, U.S.A. All rights reserved.

L150ETXJ 1986 / ELECTRIC MOTOR



©2013 Yamaha Motor Corporation, U.S.A. All rights reserved.

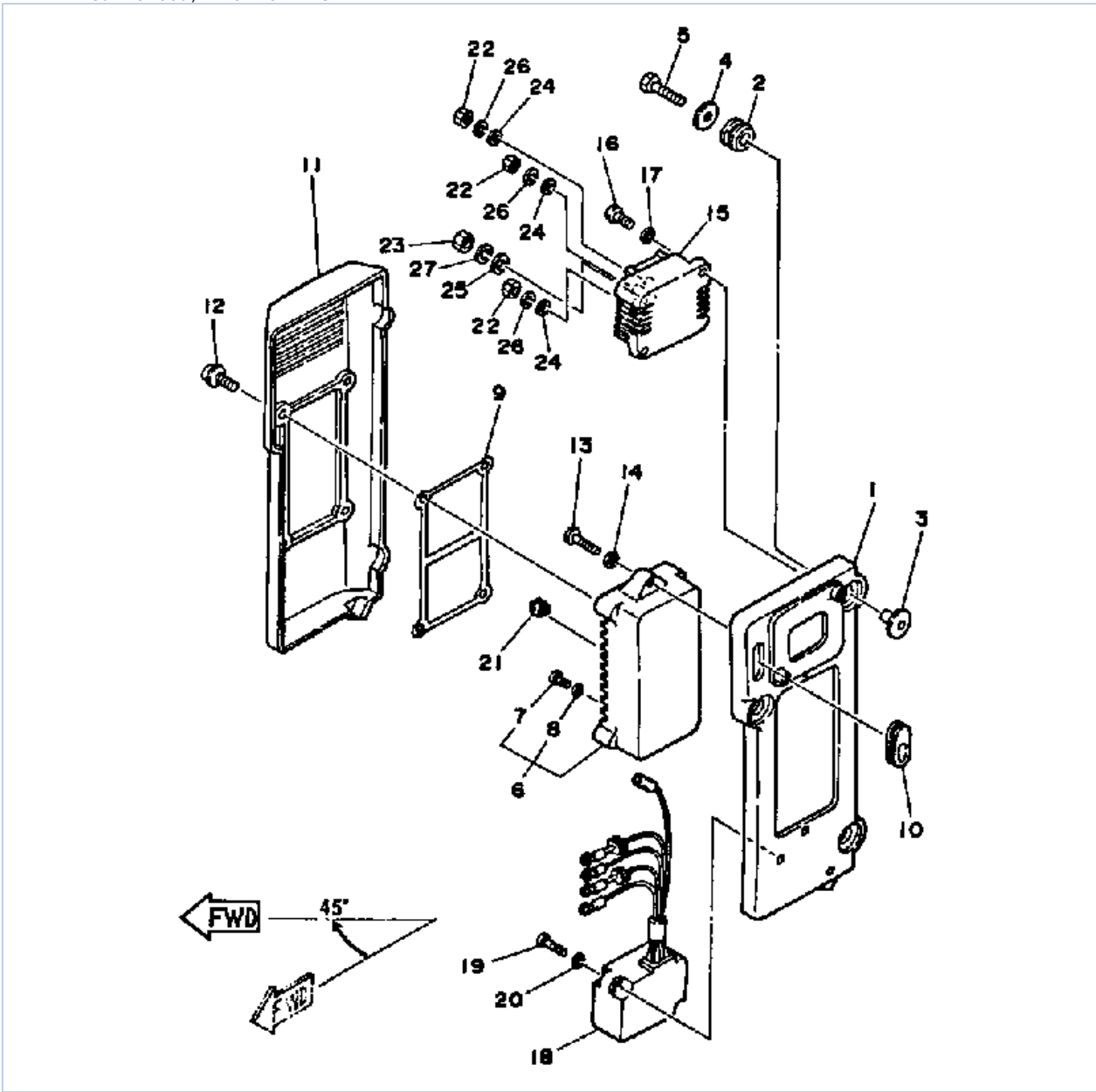
## Part List

L150ETXJ 1986 / ELECTRIC MOTOR

REF - NO	PART NUMBER	PART NAME	QUANTITY	REMARKS
1	6E5-81800-12-00	STARTER MOTOR ASSY	1	
2	6E5-81850-A9-00	ARMATURE ASSY (6E5-81850-10-00)	1	
3	6E5-81809-10-00	WASHER KIT	1	
4	6E5-81810-10-00	STATOR ASSY	2	
5	6E5-81847-10-00	O-RING	2	
6	6E5-81801-10-00	BRUSH SET	1	
7	6E5-81840-10-00	BRUSH HOLDER ASSY	1	
8	6E5-81813-10-00	..SPRING, BRUSH	3	
9	6E5-81820-11-00	REAR BRACKET ASSY	1	
10	6E5-81807-11-00	GEAR ASSY, STARTING MOTOR	1	
11	6E5-81857-10-00	RETAINER	1	
12	6E5-81830-10-00	FRONT BRACKET ASSY	1	
13	6E5-81826-10-00	BOLT	2	
14	6E5-81822-02-98	BRACKET, STARTING MOTOR	1	
15	97013-08025-00	BOLT	2	
16	92990-08600-00	.WASHER, PLATE	2	
17	97313-08045-00	BOLT, HEXAGON	3	
18	92990-08600-00	.WASHER, PLATE	3	
19	97395-08016-00	BOLT	1	
20	92990-08600-00	.WASHER, PLATE	1	



L150ETXJ 1986 / ELECTRIC PARTS 1



©2013 Yamaha Motor Corporation, U.S.A. All rights reserved.





## Part List

L150ETXJ 1986 / ELECTRIC PARTS 1

REF - NO	PART NUMBER	PART NAME	QUANTITY	REMARKS
1	6G5-85542-00-94	BRACKET	1	
2	90480-09M12-00	GROMMET	3	
3	90387-06M03-00	COLLAR	3	
4	90201-06416-00	WASHER, PLATE	3	
5	97313-06030-00	BOLT	3	
6	6G5-85540-12-00	CDI UNIT ASSY	1	
7	98580-04008-00	.SCREW, PAN HEAD	20	
8	92990-04200-00	WASHER	20	
9	6G5-85547-00-00	DAMPER	1	
10	90480-12M32-00	GROMMET	1	
11	6G5-85537-00-00	COVER	1	
12	90159-06M03-00	SCREW, WITH WASHER	4	
13	98580-06030-00	.SCREW, PAN HEAD	2	
14	92990-06600-00	WASHER, PLATE	2	
15	6G5-81960-A0-00	RECTIFIER & REGULATOR ASSY	1	
16	97803-06020-00	SCREW, PAN HEAD (92580- 06030-00)	2	
17	92990-06600-00	WASHER, PLATE	2	
18	6G5-85590-12-00	CONTROL UNIT ASSY	1	
19	98580-06030-00	.SCREW, PAN HEAD	2	
20	92990-06600-00	WASHER, PLATE	2	
21	90480-06066-00	GROMMET	2	
22	95380-05600-00	NUT	3	
23	95380-06600-00	NUT, HEXAGON	1	
24	92990-05200-00	WASHER, PLAIN	3	
25	92990-06200-00	..WASHER, PLAIN	1	
26	92990-05100-00	.WASHER, SPRING	3	
27	92995-06100-00	WASHER, SPRING	1	

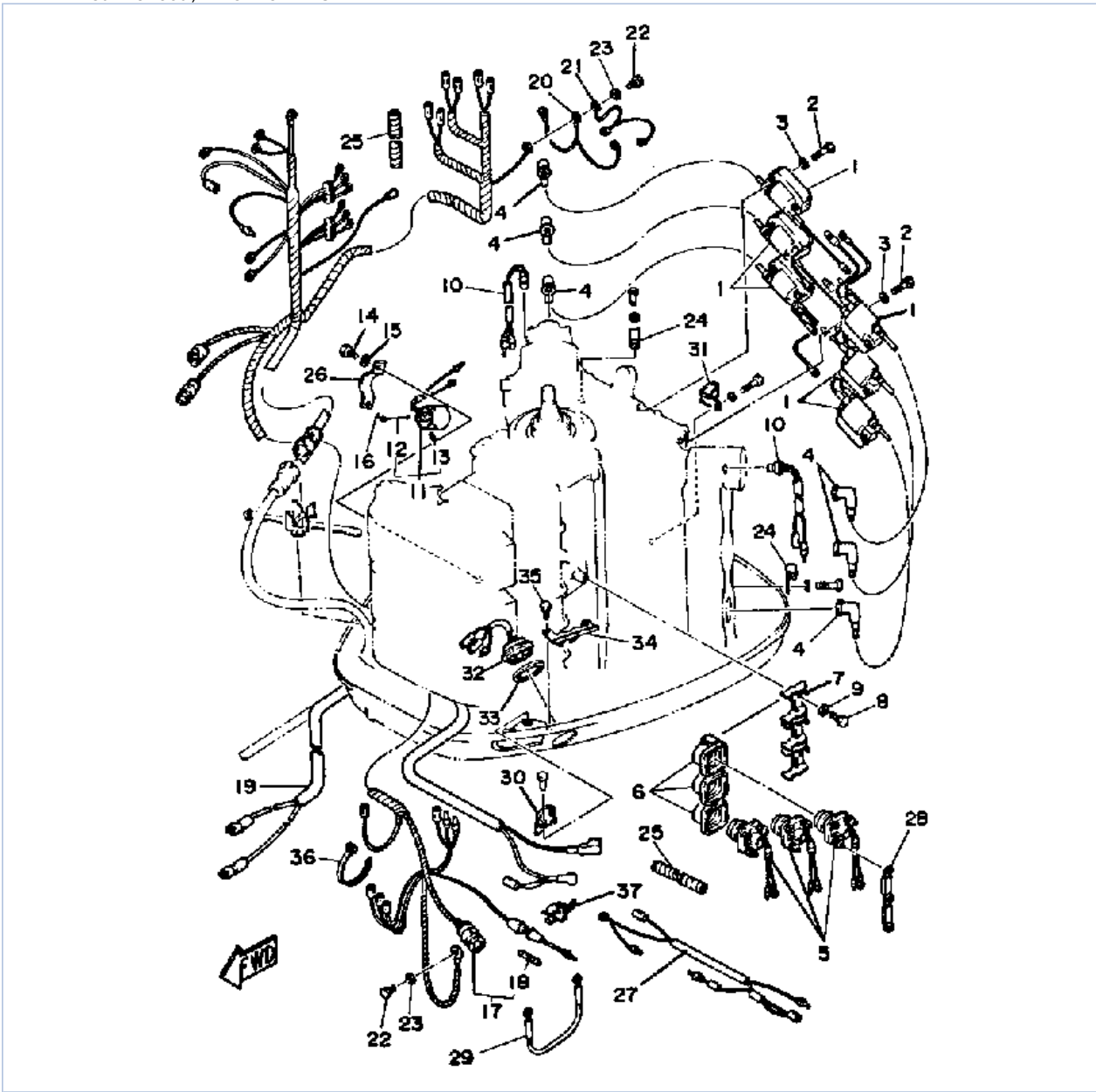
## Part Notes

L150ETXJ 1986 / ELECTRIC PARTS 1

PART NUMBER		NOTE TEXT
92990-06600-00		OEM: This part number is among the Top 100 Most Popular Marine Maintenance Parts as of August 2013.
92990-06600-00		OEM: This part number is among the Top 100 Most Popular Marine Maintenance Parts as of August 2013.
92990-06600-00		OEM: This part number is among the Top 100 Most Popular Marine Maintenance Parts as of August 2013.
92995-06100-00		OEM: This part number is among the Top 100 Most Popular Marine Maintenance Parts as of August 2013.

©2013 Yamaha Motor Corporation, U.S.A. All rights reserved.

L150ETXJ 1986 / ELECTRIC PARTS 2



©2013 Yamaha Motor Corporation, U.S.A. All rights reserved.





## Part List

L150ETXJ 1986 / ELECTRIC PARTS 2

REF - NO	PART NUMBER	PART NAME	QUANTITY	REMARKS
1	6E5-85570-11-00	IGNITION COIL ASSEMBLY	6	
2	97313-06030-00	BOLT	12	
3	92990-06600-00	WASHER, PLATE	12	
4	663-82370-01-00	PLUG CAP ASSY	6	
5	6E5-81941-11-00	STARTER RELAY ASSY	3	
6	689-81952-10-00	HOLDER, RELAY	3	
7	6G5-81948-00-00	BRACKET	1	
8	97395-06016-00	BOLT	2	
9	92990-06600-00	WASHER, PLATE	2	
10	688-82560-10-00	THERMO SWITCH ASSY	2	
11	6G5-86110-01-00	SOLENOID	1	
12	6G5-86119-00-00	WIRE, PULL	1	
13	91690-30010-00	PIN, SPRING	1	
14	97313-06016-00	BOLT, HEXAGON	2	
15	92990-06600-00	WASHER, PLATE	2	
16	93210-03261-00	O-RING	1	
17	6G5-82590-12-00	WIRE HARNESS ASSY	1	
18	682-82151-00-00	FUSE (12V-20A)	1	
19	6G5-82105-01-00	BATTERY CABLE	1	
20	6E5-82519-00-00	WIRE, EARTH LEAD	1	
21	6E5-82531-00-00	WIRE, LEAD	1	
22	97395-06012-00	BOLT	4	
23	92990-06600-00	WASHER, PLATE	4	
24	90465-08028-00	CLAMP	6	
25	90446-10M01-00	HOSE (L60)	4	
26	6G5-86115-00-00	HOLDER, SOLENOID	1	
27	6G5-82553-00-00	EXTENSION, WIRE LEAD	1	
28	6G5-87149-01-00	CONNECTOR	1	
29	6E5-82117-00-00	WIRE, LEAD	1	
30	90465-12M25-00	CLAMP	1	
31	90465-08M08-00	CLAMP	2	
32	6E5-82563-00-00	TRIM & TILT SWITCH ASSY	1	
33	6E5-82587-00-00	GASKET	1	
34	6E5-83614-00-00	BRACKET	1	
35	97313-06016-00	BOLT, HEXAGON	2	
36	90465-13M36-00	CLAMP	1	
37	6G5-82152-00-00	HOLDER, FUSE	1	

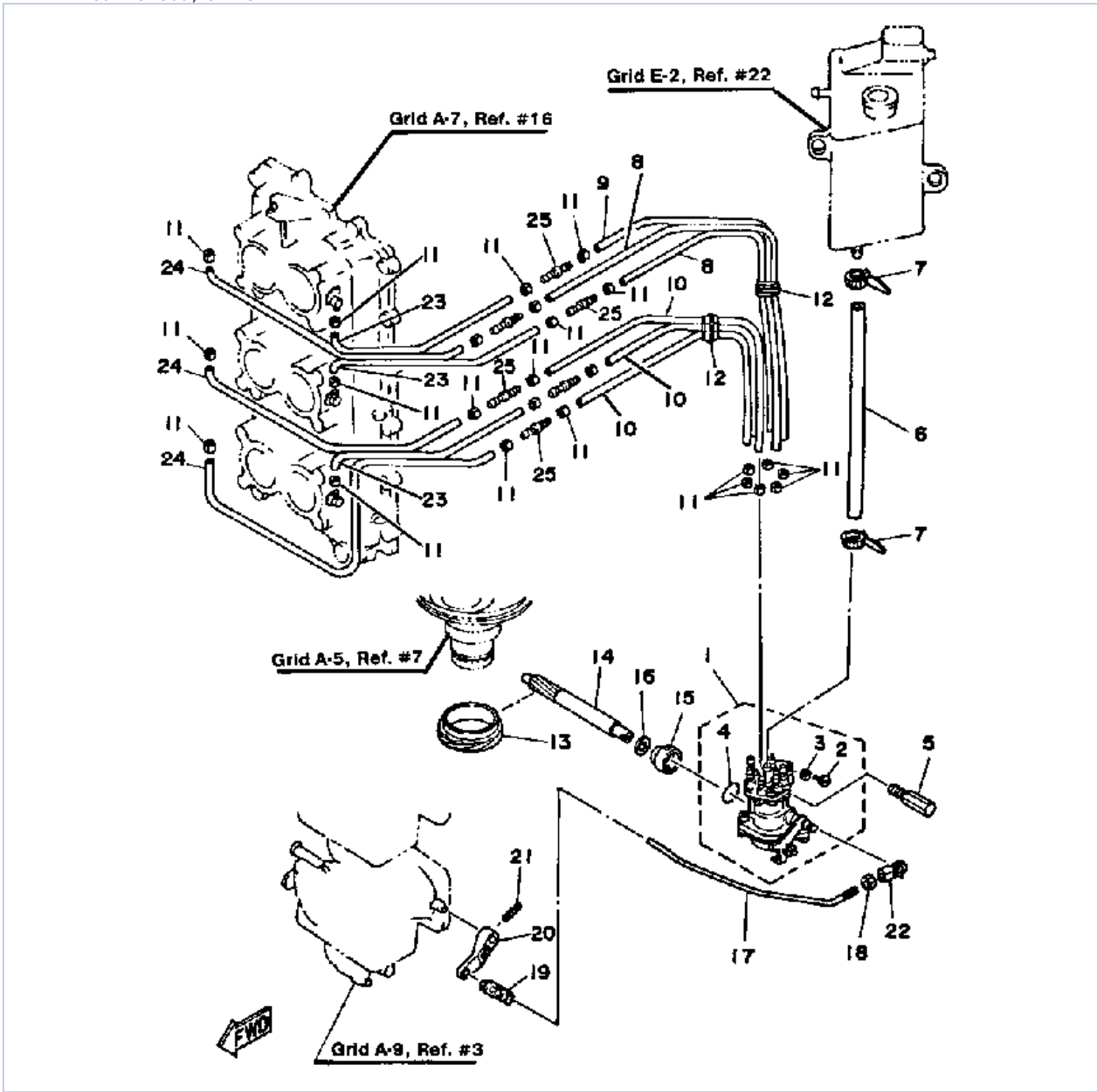
## Part Notes

L150ETXJ 1986 / ELECTRIC PARTS 2

PART NUMBER	NOTE TEXT
92990-06600-00 	OEM: This part number is among the Top 100 Most Popular Marine Maintenance Parts as of August 2013.
92990-06600-00 	OEM: This part number is among the Top 100 Most Popular Marine Maintenance Parts as of August 2013.
92990-06600-00 	OEM: This part number is among the Top 100 Most Popular Marine Maintenance Parts as of August 2013.
92990-06600-00 	OEM: This part number is among the Top 100 Most Popular Marine Maintenance Parts as of August 2013.

©2013 Yamaha Motor Corporation, U.S.A. All rights reserved.

L150ETXJ 1986 / OIL PUMP



©2013 Yamaha Motor Corporation, U.S.A. All rights reserved.


## Part List

L150ETXJ 1986 / OIL PUMP

REF - NO	PART NUMBER	PART NAME	QUANTITY	REMARKS
1	6G6-W1320-00-00	OIL INJECTION PUMP ASSY (6G6-13200-01-00)	1	U.R. 200 MODEL
1	6G5-W1320-00-00	OIL INJECTION PUMP ASSY (6G5-13200-01-00)	1	U.R. 150 MODEL
2	6E5-13471-01-00	PLUG, DRAIN	1	
3	6E5-13475-00-00	GASKET	1	
4	6E5-14562-00-00	O-RING	1	
5	90109-06M23-00	BOLT	2	
6	(90445-12M65-00)	HOSE	1	
7	90465-11M10-00	CLAMP	2	
8	90445-07M73-00	HOSE	2	
9	90445-07M85-00	HOSE (L330)	1	
10	90445-07M83-00	HOSE (L150)	3	
11	90468-07M02-00	CLIP	24	
12	90464-07M05-00	CLAMP	2	
13	6E5-11536-00-00	GEAR, DRIVEN	1	
14	6E5-11537-02-00	GEAR, DRIVEN	1	
15	6E5-13117-01-00	COLLAR, DISTANCE	1	
16	90201-08M93-00	WASHER, PLATE	1	
17	6E5-41241-00-00	ROD, LINK	1	
18	95380-05600-00	NUT	1	
19	6R5-41237-00-00	JOINT, LINK	1	
20	6E5-14276-01-00	LEVER	1	
21	91690-30016-00	PIN, SPRING	1	
22	6H1-41237-00-00	JOINT, LINK	1	
23	90445-07M87-00	HOSE (L110)	3	
24	90445-07M96-00	HOSE (L310)	3	
25	6E5-13132-00-00	JOINT	6	

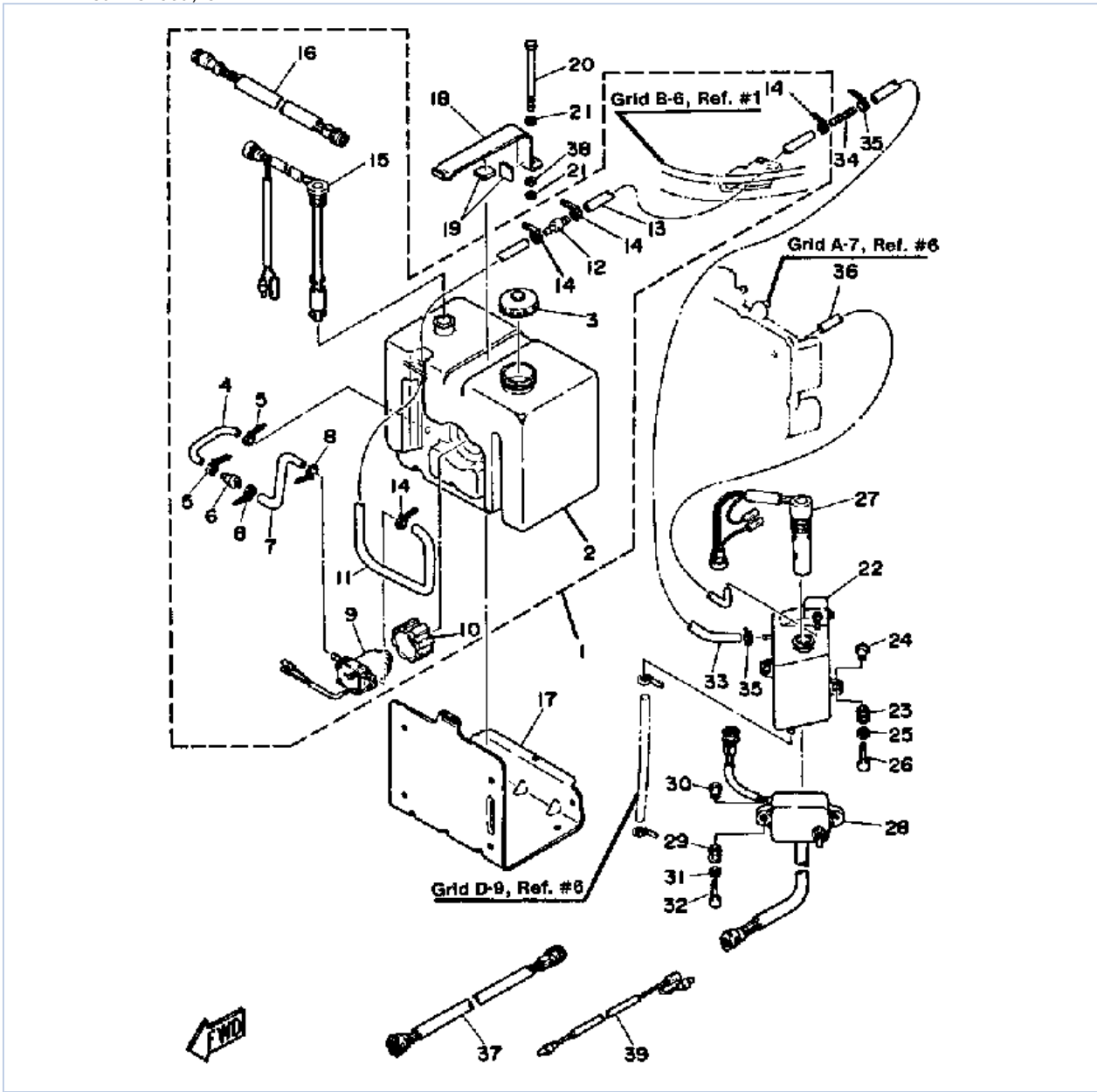
## Part Notes

L150ETXJ 1986 / OIL PUMP

PART NUMBER	NOTE TEXT
6H1-41237-00-00 	OEM: This part number is among the Top 100 Most Popular Marine Maintenance Parts as of August 2013.

©2013 Yamaha Motor Corporation, U.S.A. All rights reserved.

L150ETXJ 1986 / OIL TANK



©2013 Yamaha Motor Corporation, U.S.A. All rights reserved.



## Part List

L150ETXJ 1986 / OIL TANK

REF - NO	PART NUMBER	PART NAME	QUANTITY	REMARKS
1	6K1-21708-01-00	OIL TANK SUB-ASS"Y	1	
2	6E5-21733-02-00	.SUB TANK, OIL (10.5L)	1	
3	6E5-21770-03-00	.OIL TANK CAP ASSY	1	
4	6E5-24322-00-00	.PIPE 11	1	
5	90465-11M10-00	CLAMP	2	
6	646-24251-02-00	.STRAINER 1	1	
7	6E5-24319-01-00	.PIPE, OIL	1	
8	90465-11M10-00	CLAMP	2	
9	6E5-81900-01-00	.OIL FEED PUMP ASSY	1	
10	6E5-81922-00-00	.GROMMET	1	
11	6E5-24321-01-00	.PIPE 10	1	
12	6E5-24379-00-00	PIPE, JOINT 4	1	
13	90445-11M00-00	.HOSE (L8000)	1	
14	90465-11M10-00	CLAMP	4	
15	6E5-85720-02-00	OIL LEVEL GAUGE ASSY	1	
16	6E5-85721-10-00	WIRE LEAD (6E5-85721-01-00)	1	
17	6E5-21734-01-33	HOLDER, OIL SUB TANK	1	
18	6E5-21798-01-33	BRACKET, DAMPER	1	
19	6E5-21746-00-00	DAMPER	2	
20	97380-06100-00	BOLT, HEXAGON (91201-06100)	1	
21	92990-06600-00	WASHER, PLATE	2	
22	6E5-21750-02-00	OIL TANK ASSEMBLY	1	
23	6A0-82317-00-00	DAMPER, IGNITION COIL	3	
24	624-42542-00-00	PIPE	3	
25	90201-06M62-00	WASHER, PLATE	3	
26	97313-06030-00	BOLT	3	
27	6E5-85730-12-00	OIL LEVEL SENSOR (6E5-85730-11)	1	
28	6E5-85740-02-00	CONTROL UNIT ASSY	1	
29	6A0-82317-00-00	DAMPER, IGNITION COIL	2	
30	624-42542-00-00	PIPE	2	
31	90201-06M62-00	WASHER, PLATE	2	
32	97313-06030-00	BOLT	2	
33	6E5-24323-00-00	PIPE 12	1	
34	6E5-24461-00-00	PIPE, JOINT	1	
35	90465-11M10-00	CLAMP	2	
36	90445-05M61-00	HOSE	1	
37	6E5-82521-03-00	WIRE, LEAD	1	
38	95380-06600-00	NUT, HEXAGON	1	
39	6G5-81315-00-00	LEAD WIRE ASSY	1	

## Part Notes

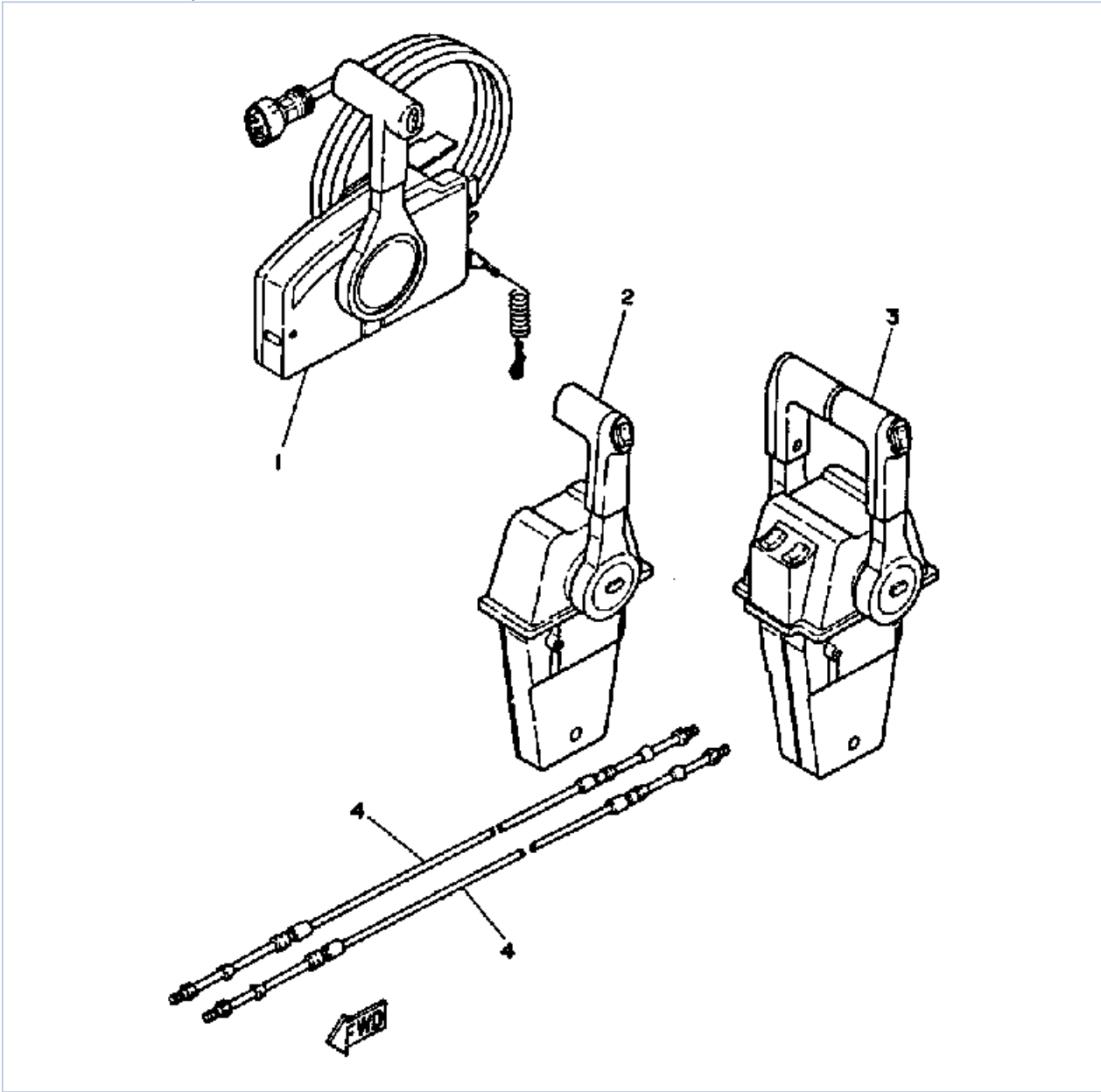
L150ETXJ 1986 / OIL TANK

PART NUMBER		NOTE TEXT
646-24251-02-00		OEM: This part number is among the Top 100 Most Popular Marine Maintenance Parts as of August 2013.
92990-06600-00		OEM: This part number is among the Top 100 Most Popular Marine Maintenance Parts as of August 2013.

©2013 Yamaha Motor Corporation, U.S.A. All rights reserved.



L150ETXJ 1986 / REMOTE CONTROL CABLES



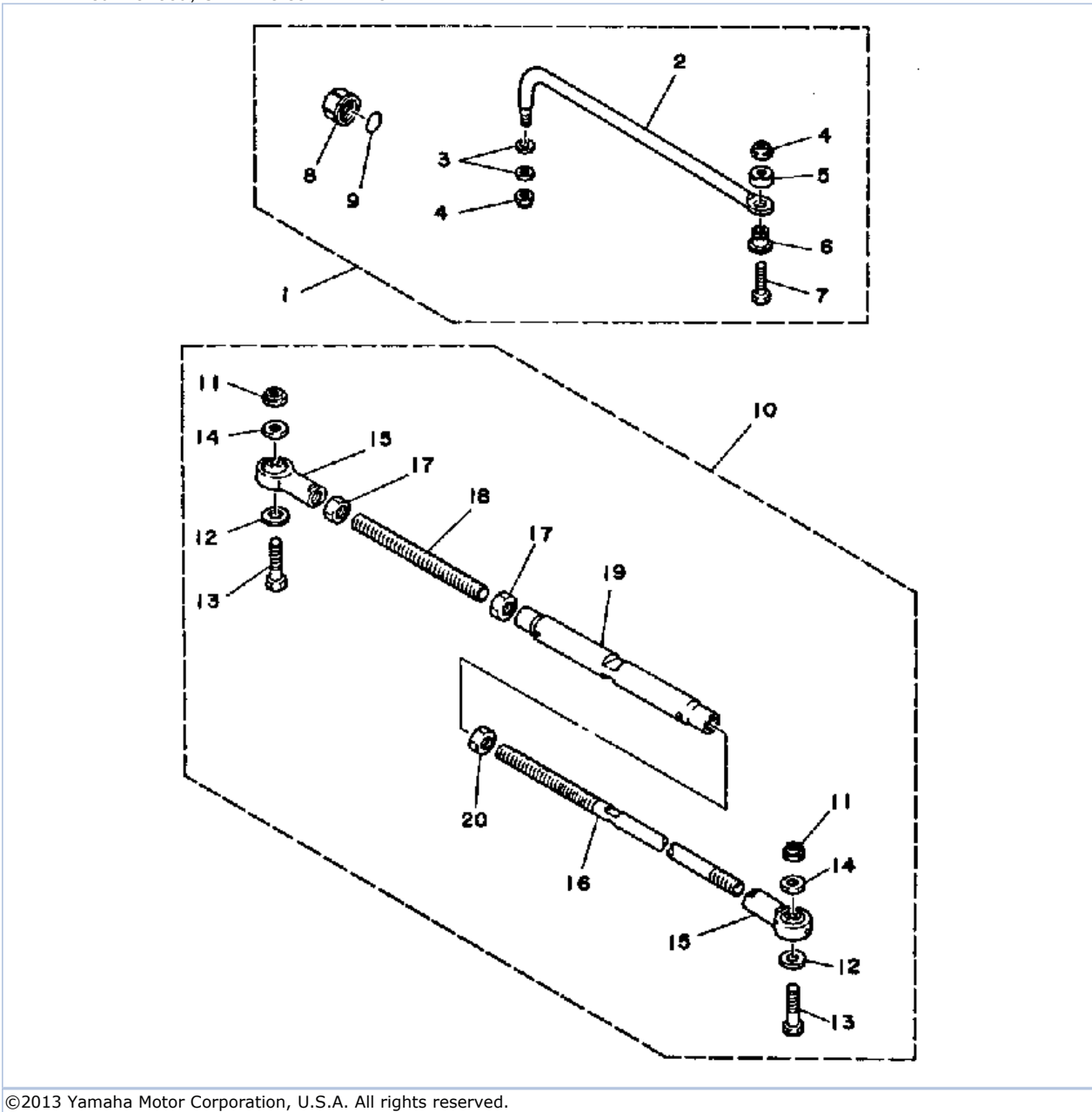
©2013 Yamaha Motor Corporation, U.S.A. All rights reserved.

## Part List

L150ETXJ 1986 / REMOTE CONTROL CABLES

REF - NO	PART NUMBER	PART NAME	QUANTITY	REMARKS
1	703-48207-13-00	REMOTE CONTROL ASSEMBLY (703-48205-13- 00)	1	U.R. SEE NOTE
2	704-48205-10-00	REMOTE CONTROL ASSY, SINGLE BINN W/PTT	1	
3	704-48207-31-00	REMOTE CONTROL ASSY, DUAL BINN	1	
4	ABA-CABLE-09-GY	REMOTE CONTROL CABLES (9')	1	
4	ABA-CABLE-10-GY	REMOTE CONTROL CABLES (10')	1	
4	ABA-CABLE-11-GY	REMOTE CONTROL CABLES (11')	1	
4	ABA-CABLE-12-GY	REMOTE CONTROL CABLES (12')	1	
4	ABA-CABLE-13-GY	REMOTE CONTROL CABLES (13')	1	
4	ABA-CABLE-14-GY	REMOTE CONTROL CABLES (14')	1	
4	ABA-CABLE-36-GY	REMOTE CONTROL CABLES (36')	1	
4	ABA-CABLE-16-GY	REMOTE CONTROL CABLES (16')	1	
4	ABA-CABLE-17-GY	REMOTE CONTROL CABLES (17')	1	
4	ABA-CABLE-18-GY	REMOTE CONTROL CABLES (18')	1	
4	ABA-CABLE-19-GY	REMOTE CONTROL CABLES (19')	1	
4	ABA-CABLE-20-GY	REMOTE CONTROL CABLES (20')	1	
4	ABA-CABLE-22-GY	REMOTE CONTROL CABLES (22')	1	
4	ABA-CABLE-24-GY	REMOTE CONTROL CABLES (24')	1	
4	ABA-CABLE-26-GY	REMOTE CONTROL CABLES (26')	1	
4	ABA-CABLE-28-GY	REMOTE CONTROL CABLES (28')	1	
4	ABA-CABLE-30-GY	REMOTE CONTROL CABLES (30')	1	
4	ABA-CABLE-32-GY	REMOTE CONTROL CABLES (32')	1	
4	ABA-CABLE-34-GY	REMOTE CONTROL CABLES (34')	1	
4	ABA-CABLE-08-GY	REMOTE CONTROL CABLES (8')	1	
4	ABA-CABLE-07-GY	REMOTE CONTROL CABLES (7')	1	
4	ABA-CABLE-06-GY	REMOTE CONTROL CABLES (6 ')	1	
4	ABA-CABLE-15-GY	REMOTE CONTROL CABLES (15')	1	

L150ETXJ 1986 / STEERING GUIDE ATTACHMENT



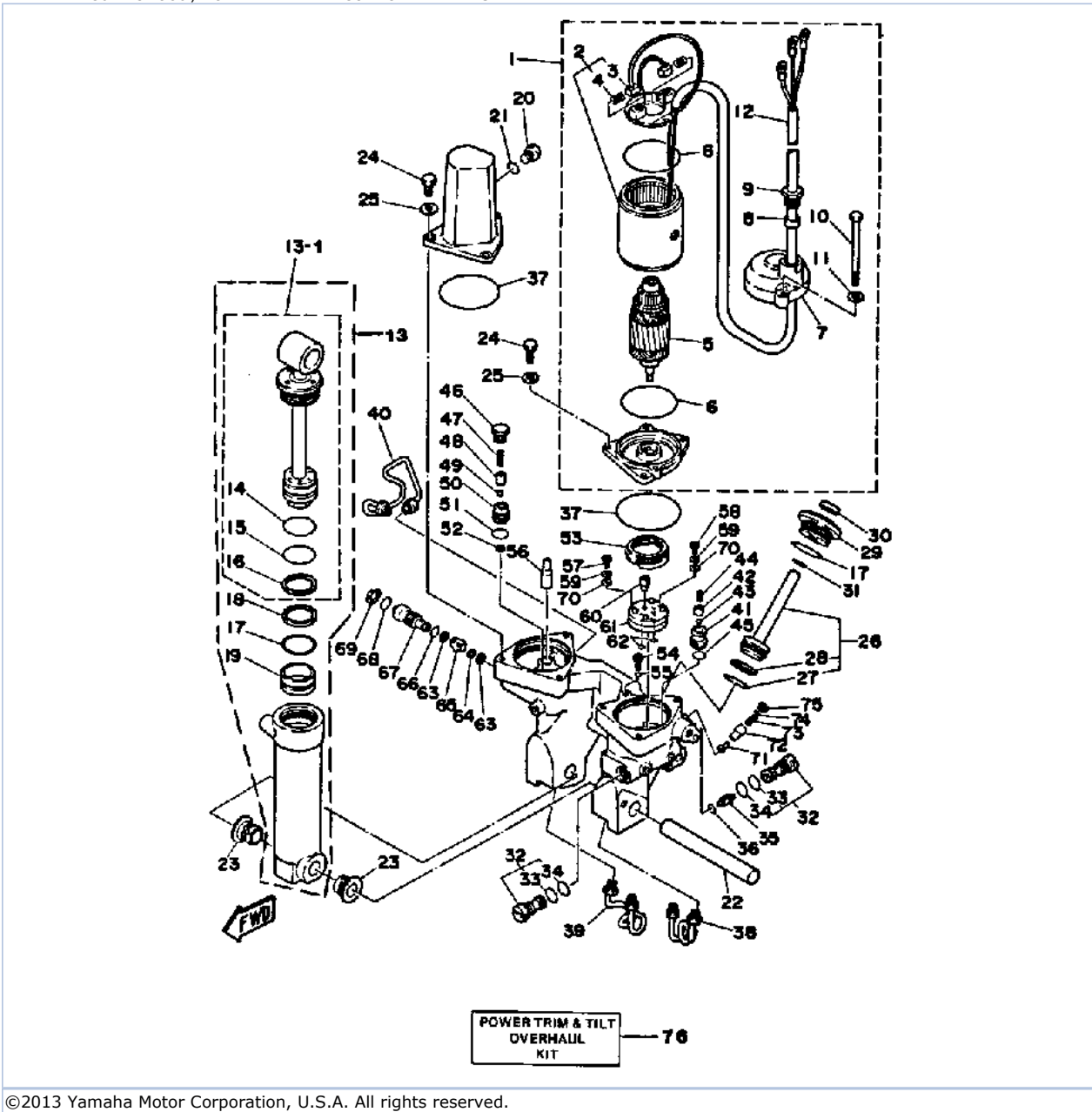
©2013 Yamaha Motor Corporation, U.S.A. All rights reserved.

## Part List

L150ETXJ 1986 / STEERING GUIDE ATTACHMENT

REF - NO	PART NUMBER	PART NAME	QUANTITY	REMARKS
1	6E5-61350-01-00	STEERING GUIDE ATTACHMENT KIT	1	
2	6E5-61351-00-00	ROD, STEERING LINK	1	
3	90201-10M20-00	.WASHER, PLATE	2	
4	90185-09M01-00	.NUT, SELF-LOCKING	2	
5	90560-12M01-00	.SPACER	1	
6	90387-10M61-00	.COLLAR	1	
7	6E5-61355-00-00	.BOLT	1	
8	6E5-43145-00-00	CAP, CLAMP BRACKET	1	
9	93210-16275-00	.O-RING	1	
10	ABA-DUALT-IE-BR	TWIN KIT (L:600-800M)	1	
11	90185-09M01-00	.NUT, SELF-LOCKING	2	
12	90201-10M20-00	.WASHER, PLATE	2	
13	90101-09M70-00	.BOLT	2	
14	90170-09M05-00	.NUT	2	
15	6E5-61303-00-00	.STEERING AXLE COMP.	1	
16	6E5-61311-11-00	.TIE BAR	1	
17	95380-14700-00	.NUT	2	
18	6E5-61315-00-00	.TIE BAR	1	
19	6E5-61313-00-00	.ADJUSTER	1	
20	90170-14M06-00	.NUT	1	

L150ETXJ 1986 / POWER TRIM TILT COMPONENT PARTS



©2013 Yamaha Motor Corporation, U.S.A. All rights reserved.

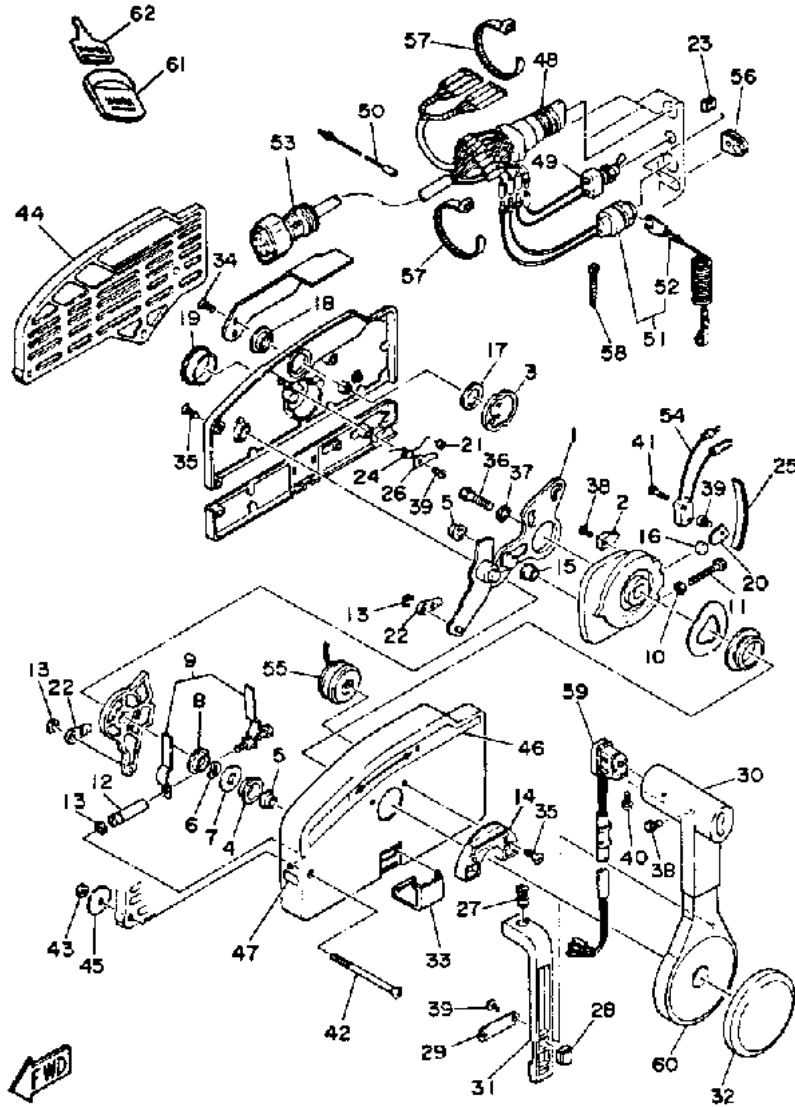
## Part List

L150ETXJ 1986 / POWER TRIM TILT COMPONENT PARTS

REF - NO	PART NUMBER	PART NAME	QUANTITY	REMARKS
1	6E5-43880-01-00	MOTOR ASSEMBLY	1	
1	6E5-43810-03-00	PISTON SUB-ASSEMBLY (6E5-43810-02)	1	
1	6E5-43810-03-00	PISTON SUB-ASSEMBLY (6E5-43810-02)	1	
2	6E5-43804-00-00	STATOR ASSEMBLY	1	
3	6E5-43891-00-00	BRUSH 1	2	
4	90501-05M54-00	SPRING	2	
5	6E5-43805-00-00	ARMATURE ASSEMBLY	1	
6	93210-71M76-00	O-RING	2	
7	6E5-43884-00-00	FRAME, COMMUTATOR END	1	
8	6E5-43885-00-00	GROMMET	1	
9	6E5-43886-00-00	BOLT	1	
10	6E5-43887-00-00	BOLT	2	
11	90201-05M01-00	WASHER	2	
12	6E5-43807-01-00	WIRE SUB ASSEMBLY	1	
13	6E5-4380E-02-00	TILT CYLINDER. ASSEMBLY (86) (6E5-4380E-00)	1	SEE NOTE
14	6E5-43861-00-00	O-RING	1	SEE NOTE
15	6E5-43862-00-00	O-RING	1	
16	6E5-43872-00-00	RING, BACK UP	1	
17	6E5-43862-00-00	O-RING	3	
18	6E5-43872-00-00	RING, BACK UP	1	
19	6E5-43814-01-00	PISTON, FREE	1	
20	6E5-43800-06-EK	POWER TRIM & TILT ASSY	1	
20	6E5-43829-00-00	PLUG, RESERVOIR	1	
21	6E5-43863-00-00	O-RING	1	
22	6E5-43818-00-00	PIN, LOWER SHOCK MOUNT	1	
23	90386-18M14-00	BUSH	2	
24	(90101-06M85-00)	BOLT	6	
25	90209-06M09-00	WASHER	6	
26	6E5-43820-02-00	PISTON SUB ASSEMBLY	2	
27	6E5-43864-00-00	O-RING	1	
28	6E5-43874-01-00	RING, BACK UP	1	
29	6E5-43821-01-00	SCREW, TRIM CYLINDER END	2	
30	6E5-43822-01-00	SEAL, TRIM DUST	2	
31	6E5-43865-00-00	O-RING	2	
32	6E5-43802-00-00	VALVE SUB ASSEMBLY	2	
33	6E5-43866-00-00	O-RING	1	
34	6E5-43867-00-00	O-RING	1	
35	6E5-43841-01-00	PISTON, SHUTTLE	1	
36	6E5-43868-00-00	O-RING	1	
37	6E5-43869-00-00	O-RING	2	
38	6E5-43833-01-00	PIPE	1	
39	6E5-43834-01-00	PIPE	1	
40	6E5-43835-01-00	PIPE	1	
41	6E5-43851-01-00	SEAT, RELIEF VALVE	1	
42	6E5-43844-02-00	PIN, VALVE SUPPORT	1	
43	6E5-43858-00-00	BALL	1	
44	6E5-43856-00-00	SPRING, DOWN RELIEF	1	
45	6E5-43883-00-00	O-RING	1	
46	6E5-43843-00-00	SCREW, VALVE LOCK	1	
47	6E5-43855-00-00	SPRING, UP RELIEF	1	
48	6E5-43859-00-00	PIN, VALVE SUPPORT	1	

49	6E5-43877-01-00	BALL	1	
50	6E5-43895-00-00	O-RING	1	
51	6E5-43896-00-00	..O-RING	1	
52	6E5-43816-10-00	FILTER 1	1	
53	6E5-43817-10-00	FILTER 2	1	
54	90109-06M21-00	BOLT	1	
55	6E5-43897-00-00	O-RING	1	
56	6E5-43838-00-00	PIPE, INTAKE	1	
57	6E5-43878-01-00	BOLT, SOCKET	2	
58	6E5-43888-01-00	BOLT, SOCKET	1	
59	90209-05M10-00	WASHER	3	
60	6E5-43831-00-00	CONNECTOR, SHAFT	1	
61	6E5-43830-00-00	GEAR PUMP ASSEMBLY	1	
62	93210-07M78-00	O-RING	2	
63	6E5-43847-00-00	SEAT, MANUAL VALVE	2	
64	6E5-43854-01-00	SPRING, MANUAL RELEASE	1	
65	6E5-4382A-00-00	ADAPTER 1	1	
66	93210-10M74-00	O-RING	1	
67	6E5-43845-01-00	SCREW, MANUAL RELEASE	1	
68	93210-18M75-00	O-RING	1	
69	6H1-43875-00-00	RING, SNAP	1	
70	90201-05M00-00	WASHER, PLATE	3	
71	6E5-4381A-00-00	SHAFT	1	
72	6E5-43849-01-00	PIN, VALVE SUPPORT	1	
73	6E5-43824-01-00	SPRING, COMPRESSION	1	
74	93210-06M77-00	O-RING	1	
75	6E5-43842-00-00	SCREW, VALVE SEAT	1	
76	6E5-W0094-00-00	PT & T OVERHAUL KIT	1	SEE NOTE

L150ETXJ 1986 / REMOTE CONTROL COMPONENT PARTS (703 TYPE)



©2013 Yamaha Motor Corporation, U.S.A. All rights reserved.



## Part List


L150ETXJ 1986 / REMOTE CONTROL COMPONENT PARTS (703 TYPE)

REF - NO	PART NUMBER	PART NAME	QUANTITY	REMARKS
1	703-48261-10-00	ARM, THROTTLE	1	
2	703-82554-00-00	STAY, NEUTRAL SWITCH	1	
3	703-48153-00-00	.SHAFT, FREE ACCEL.	1	
4	703-48235-00-00	.BUSHING	1	
5	703-48273-00-00	BUSHING	2	
6	703-48197-00-00	WASHER, WAVE	1	
7	703-48268-00-00	.SPACER	1	
8	703-48263-00-00	BUSHING	1	
9	703-48264-00-00	.FRICTION, THROTTLE	1	
10	95380-05600-00	NUT	1	
11	97380-05025-00	.BOLT	1	
12	703-48265-00-00	.SHAFT, FRICTION	1	
13	93430-06024-00	.CIRCLIP	3	
14	703-48245-00-00	.PLATE, LOCK	1	
15	703-48252-00-00	.ROLLER, CAM	1	
16	701-48248-00-00	.ROLLER, FREE ACCEL.	1	
17	703-48198-00-00	.WASHER, WAVE	1	
18	703-48243-00-00	.BUSHING	1	
19	703-48236-00-00	.BUSHING 1	2	
20	703-48189-00-00	.RETAINER	1	
21	703-48234-00-00	.ROLLER, DETENT	1	
22	703-48345-01-00	.CABLE END, REMOTE CONTROL 2	2	
23	703-48358-00-00	.ANCHOR, CABLE	1	
24	703-48244-00-00	.SPRING, FREE ACCEL.	1	
25	703-48238-00-00	.SPRING, DETENT	5	
26	703-48246-00-00	.SPACER	1	
27	703-48227-00-00	.SPRING, NEUTRAL LOCK	1	
28	703-82594-00-00	.CLAMP	1	
29	703-48226-00-00	.PLATE, STOPPER	1	
30	703-48222-00-00	.GRIP, CONTROL LEVER	1	
31	703-48223-00-00	.LOCK, NEUTRAL	1	
32	703-48225-00-00	.COVER	1	
33	703-48219-00-00	.COVER, LEAD	1	
34	98780-05012-00	SCREW, FLAT HEAD	2	
35	98780-05016-00	.SCREW, FLAT HEAD	7	
36	97395-08030-00	BOLT	1	
37	92990-08600-00	.WASHER, PLATE	1	
38	98580-04010-00	.SCREW, PAN HEAD	2	
39	98580-04006-00	.SCREW, PAN HEAD	4	
40	98580-05010-00	.SCREW, PAN HEAD	1	
41	98580-03014-00	SCREW	2	
42	703-48291-10-00	.SCREW (M6)	3	
43	95380-06600-00	NUT, HEXAGON	3	
44	703-48293-10-00	.SPACER, REMOTE CONTROL	1	
45	701-48287-00-00	.WASHER	3	
46	703-48215-00-00	.GRAPHIC	1	
47	702-48217-00-00	MARK 1	1	
48	703-82510-10-00	MAIN SWITCH ASSEMBLY	1	
49	6K1-82574-00-00	SWITCH, CHOKE	1	
50	703-82531-00-00	.WIRE, LEAD (L70)	1	
51	688-82575-01-00	.ENGINE STOP SWITCH ASSY	1	
52	682-82556-00-00	.LANYARD, STOP SWITCH	1	
53	688-8258A-20-00	EXTENSION, WIRE HARNESS	1	

		(4.9M)		
54	703-82540-00-00	.NEUTRAL SWITCH ASSY	1	
55	703-83383-02-00	BUZZER	1	
56	703-48284-00-00	.GROMMET	1	
57	90465-13169-00	CLAMP	2	
58	(703-82592-00-00)	BAND	1	
59	703-82563-01-00	TRIM & TILT SWITCH	1	
60	703-48221-00-00	.LEVER, CONTROL	1	
61	676-82577-00-00	.CAP, KEY	1	
62	90890-55820-00	KEY #451	1	U.R.
62	90890-55821-00	KEY #452	1	U.R.
62	90890-55822-00	KEY #453	1	U.R.
62	90890-55823-00	KEY #454	1	U.R.
62	90890-55824-00	KEY #455	1	U.R.
62	90890-55825-00	KEY #456	1	U.R.
62	90890-55826-00	KEY #457	1	U.R.
62	90890-55827-00	KEY #458	1	U.R.
62	90890-55828-00	KEY #459	1	U.R.
62	90890-55829-00	KEY #460	1	U.R.
62	90890-55830-00	KEY #461	1	U.R.
62	90890-55831-00	KEY #462	1	U.R.
62	90890-55832-00	KEY #463	1	U.R.
62	90890-55833-00	KEY #464	1	U.R.
62	90890-55834-00	KEY #465	1	U.R.
62	90890-55835-00	KEY #466	1	U.R.
62	90890-55836-00	KEY #467	1	U.R.
62	90890-55837-00	KEY #468	1	U.R.
62	90890-55838-00	KEY #469	1	U.R.
62	90890-55839-00	KEY #470	1	U.R.

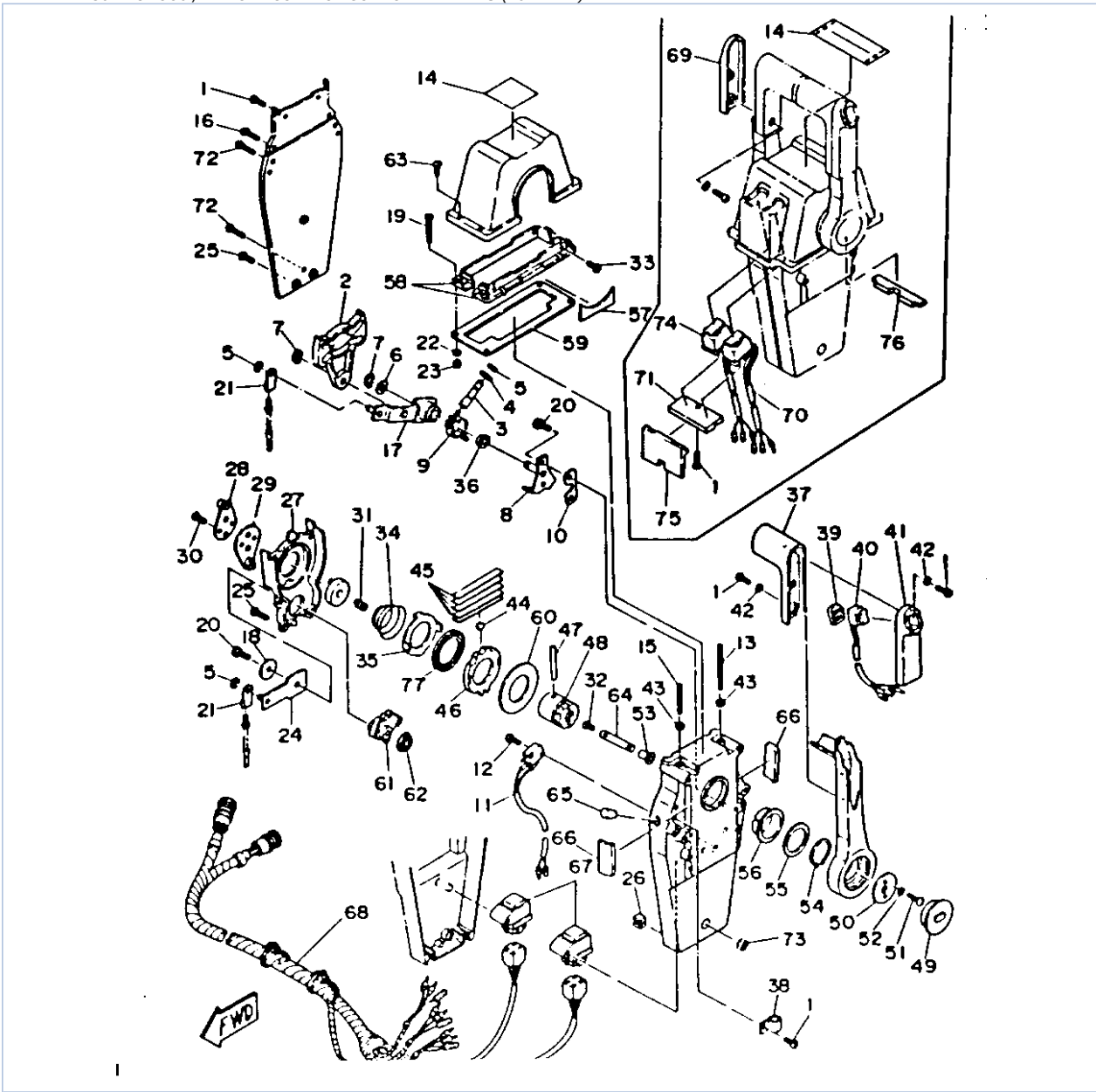
Part Notes

L150ETXJ 1986 / REMOTE CONTROL COMPONENT PARTS (703 TYPE)

PART NUMBER		NOTE TEXT
682-82556-00-00		OEM: This part number is among the Top 100 Most Popular Marine Maintenance Parts as of August 2013.

©2013 Yamaha Motor Corporation, U.S.A. All rights reserved.

L150ETXJ 1986 / REMOTE CONTROL COMPONENT PARTS (704 TYPE)



©2013 Yamaha Motor Corporation, U.S.A. All rights reserved.

## Part List


L150ETXJ 1986 / REMOTE CONTROL COMPONENT PARTS (704 TYPE)

REF - NO	PART NUMBER	PART NAME	QUANTITY	REMARKS
1	98580-05016-00	SCREW, PAN HEAD	6	
2	EL8-48251-00-00	.PLATE, CAM	1	
3	704-48265-00-00	.SHAFT, FRICTION	1	
4	701-48246-00-00	.SPACER	1	
5	93430-06024-00	.CIRCLIP	3	
6	92990-10600-00	WASHER, PLATE	1	
7	EL8-48259-00-00	.CIRCLIP 1	2	
8	704-48262-00-00	.SHAFT, THROTTLE	1	
9	704-48264-00-00	.THROTTLE, FRICTION	1	
10	704-48266-00-00	.SPACER	1	
11	704-82540-00-00	.NEUTRAL SWITCH ASSY	1	
11	6XE-82540-10-00	NEUTRAL SWITCH ASSY	1	
12	6A5-48129-10-00	.SCREW 3	2	
13	(EL8-48281-00-00)	SCREW 1	1	
14	704-48215-00-00	.GRAPHIC	1	
14	704-48215-10-00	GRAPHIC	1	
15	(704-48281-00-00)	SCREW 1	1	
16	97890-05025-00	.SCREW, PAN HEAD	2	
17	704-48261-00-00	.ARM, THROTTLE	1	
18	EL8-48191-00-00	.WASHER 1	1	
19	98580-05540-00	SCREW, PAN HEAD	4	
20	97080-06018-00	BOLT	3	
21	703-48345-01-00	.CABLE END, REMOTE CONTROL 2	2	
22	704-48287-00-00	.WASHER	4	
23	95380-05600-00	NUT	4	
24	EL8-48271-00-00	.ARM, SHIFT	1	
25	EL8-48127-00-00	.SCREW 1	9	
26	703-48358-00-00	.ANCHOR, CABLE	1	
27	EL8-48231-00-00	.HOUSING, GEAR	1	
28	EL8-48241-00-00	.ARM, DRIVE	1	
29	EL8-48254-00-00	.STOPPER, THROTTLE ADJUSTING	1	
30	98702-06020-00	SCREW, FLAT HEAD	2	
31	EL8-48158-00-00	.SPRING 1	1	
32	98580-04006-00	.SCREW, PAN HEAD	1	
33	98780-05018-00	.SCREW, FLAT HEAD	4	
34	EL8-48244-00-00	.SPRING, FREE ACCEL.	1	
35	EL8-48245-00-00	.PLATE, LOCK	1	
36	703-48263-00-00	BUSHING	1	
37	704-48222-00-00	GRIP, CONTROL LEVER	1	
38	704-82594-00-00	.CLAMP	1	
39	704-48228-00-00	HOLDER, SWITCH	1	
40	704-82563-A0-00	TRIM & TILT SWITCH ASSY	1	
40	704-82563-G0-00	TRIM & TILT SWITCH ASSY	1	
41	704-48229-00-00	GRIP, CONTROL LEVER	1	
42	92990-05300-00	WASHER, INTERNAL TOOTH	3	
43	95380-06600-00	NUT, HEXAGON	2	
44	701-48248-00-00	.ROLLER, FREE ACCEL.	1	
45	703-48238-00-00	.SPRING, DETENT	5	
46	EL8-48232-00-00	.GEAR 1	1	
47	EL8-48164-00-00	.PIN 2	1	
48	704-48242-00-00	.SHAFT, DRIVE	1	
49	704-48225-00-00	COVER	1	

50	704-48192-00-00	.WASHER 2	1	
51	97890-06018-00	.SCREW, PAN HEAD	2	
52	92990-06300-00	WASHER, INTERNAL TOOTH	2	
53	702-48263-00-00	.BUSHING	1	
54	EL8-48279-00-00	.CIRCLIP 2	1	
55	704-48193-00-00	.WASHER 3	1	
56	EL8-48234-00-00	.BUSHING 1	1	
57	704-48219-00-00	COVER, LEAD	1	
58	704-48144-00-00	.PLATE, STOPPER 2	2	
59	704-48176-00-00	.GROMMET	1	
59	704-48176-10-00	.GROMMET	1	
60	704-48205-10-00	REMOTE CONTROL ASSY, SINGLE BINN W/PTT	1	
60	704-48207-31-00	REMOTE CONTROL ASSY, DUAL BINN	1	
60	703-48192-00-00	.WASHER 2	1	
61	EL8-48233-00-00	.GEAR 2	1	
62	703-48235-00-00	.BUSHING	1	
63	704-48282-00-00	.SCREW	4	
64	EL8-48153-10-00	SHAFT, FREE ACCEL.	1	
65	704-48166-00-00	.PLUG	1	
66	704-48284-00-00	.GROMMET	2	
67	704-81950-00-00	RELAY ASSY	2	
68	704-82590-00-00	WIRE HARNESS ASSY	1	
69	704-48229-10-00	GRIP, CONTROL LEVER	1	
70	704-82563-E0-00	TRIM & TILT SWITCH ASSY	1	
71	704-48228-10-00	HOLDER, SWITCH	1	
72	704-48128-00-00	.SCREW 2	3	
73	704-48156-00-00	.NUT 1	1	
74	704-82563-F0-00	TRIM & TILT SWITCH ASSY	1	
75	704-48285-00-00	GROMMET 2	1	
76	704-48286-00-00	GROMMET 3	2	
77	704-48178-00-00	.PLATE, SHIFT	2	

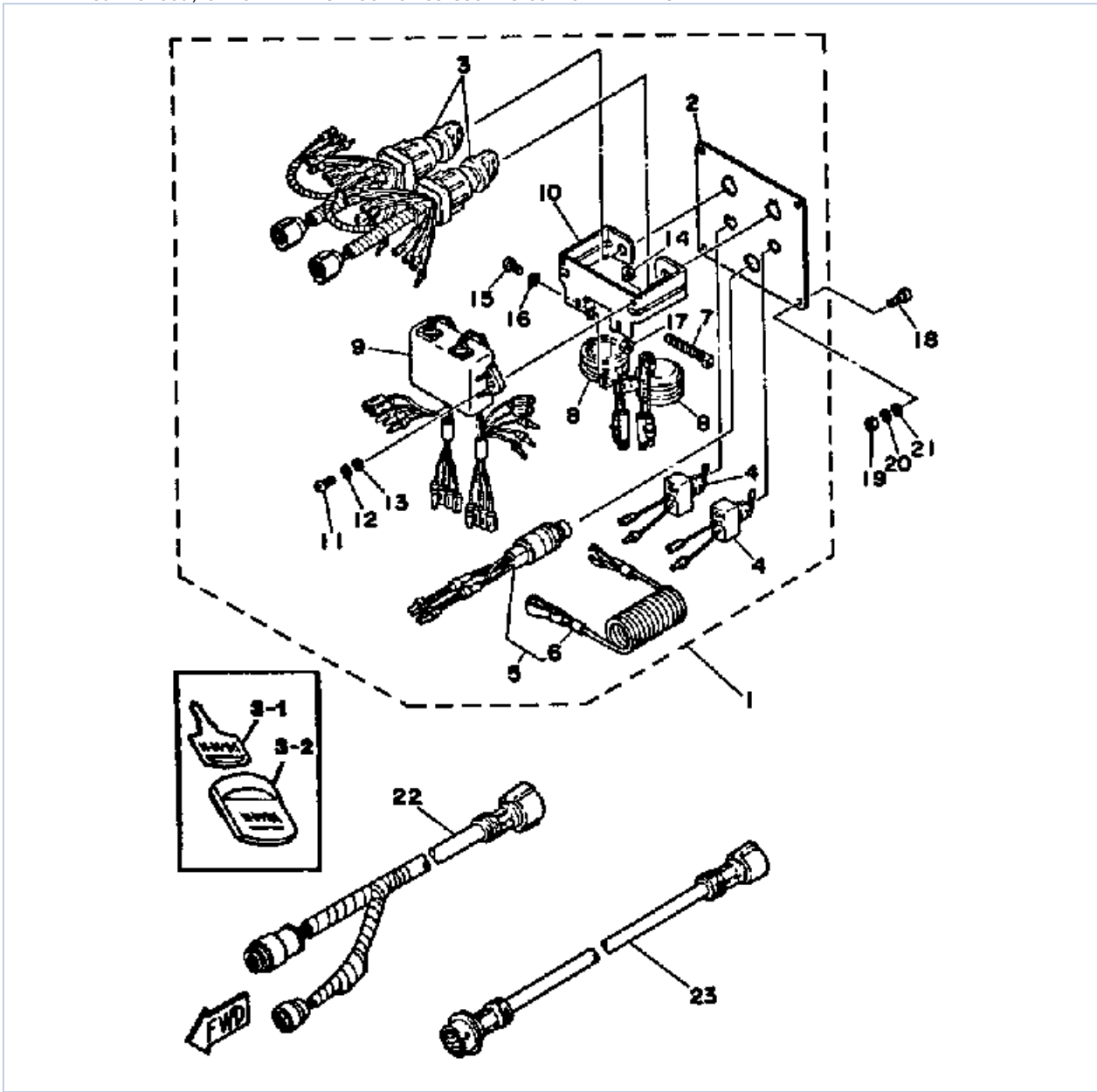
## Part Notes

L150ETXJ 1986 / REMOTE CONTROL COMPONENT PARTS (704 TYPE)

PART NUMBER	NOTE TEXT
92990-10600-00 	OEM: This part number is among the Top 100 Most Popular Marine Maintenance Parts as of August 2013.

©2013 Yamaha Motor Corporation, U.S.A. All rights reserved.

L150ETXJ 1986 / OPTIONAL PARTS RIGGING ACCESSORIES-COMPONENT PARTS



©2013 Yamaha Motor Corporation, U.S.A. All rights reserved.




## Part List

L150ETXJ 1986 / OPTIONAL PARTS RIGGING ACCESSORIES-COMPONENT PARTS

REF - NO	PART NUMBER	PART NAME	QUANTITY	REMARKS
1	90890-55957-00	KEY #111	1	U.R.
1	90890-55958-00	KEY #112	1	U.R.
1	6K1-82570-02-00	PANEL SWITCH ASSEMBLY	1	
1	90890-55820-00	KEY #451	1	U.R.
1	90890-55962-00	KEY #123	1	U.R.
1	90890-55961-00	KEY #122	1	U.R.
1	90890-55960-00	KEY #121	1	U.R.
1	90890-55959-00	KEY #113	1	U.R.
2	6K1-82571-00-00	PANEL, SWITCH	1	
2	676-82577-00-00	.CAP, KEY	1	
3	61B-82510-00-00	MAIN SWITCH ASSY	1	
4	6K1-82574-00-00	SWITCH, CHOKE	2	
5	6K1-82575-00-00	.ENGINE STOP SWITCH ASSY	1	
6	682-82556-00-00	.LANYARD, STOP SWITCH	1	
7	704-82581-00-00	STAY, CORD CLAMP	2	
8	688-83383-11-00	.BUZZER	2	
9	6K1-85830-01-00	.CONTROL UNIT ASSY	1	
10	6K1-83614-00-00	BRACKET	1	
11	98503-06014-00	SCREW, PAN HEAD	2	
12	92995-06100-00	WASHER, SPRING	2	
13	92990-06600-00	WASHER, PLATE	2	
14	95380-06600-00	NUT, HEXAGON	2	
15	98580-05010-00	.SCREW, PAN HEAD	2	
16	92990-05100-00	.WASHER, SPRING	2	
17	95380-05600-00	NUT	2	
18	90149-05M05-00	SCREW	4	
19	95380-05600-00	NUT	4	
20	92990-05100-00	.WASHER, SPRING	4	
21	92990-05600-00	WASHER, PLATE	4	
22	6K1-8258A-40-00	EXTENSION, WIRE HARNESS (8M)	1	
23	688-8258A-10-00	EXTENSION, WIRE HARNESS (2M)	1	U.R.
23	688-8258A-30-00	EXTENSION, WIRE HARNESS (3M)	1	U.R.

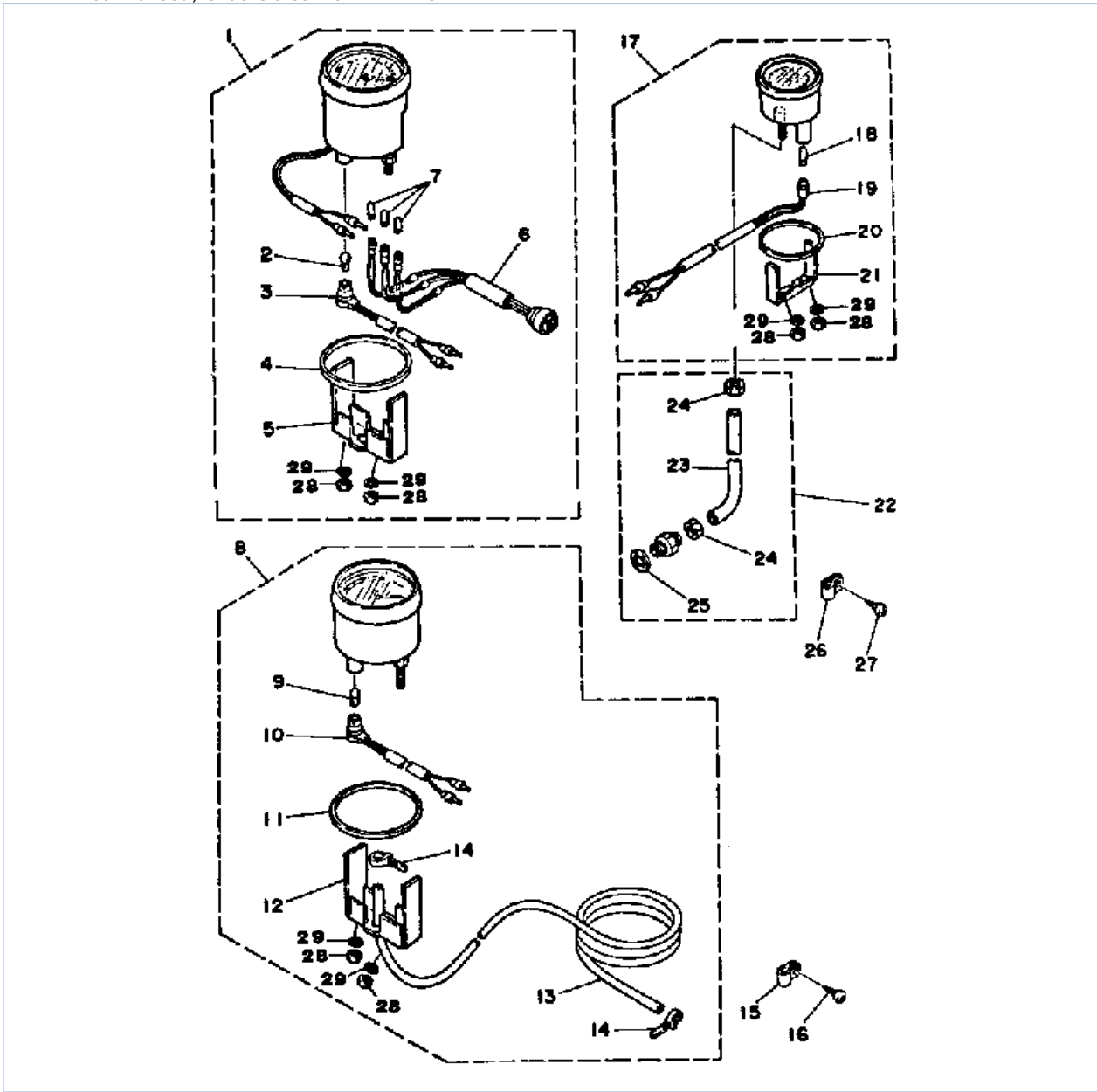
## Part Notes

L150ETXJ 1986 / OPTIONAL PARTS RIGGING ACCESSORIES-COMPONENT PARTS

PART NUMBER		NOTE TEXT
682-82556-00-00		OEM: This part number is among the Top 100 Most Popular Marine Maintenance Parts as of August 2013.
92995-06100-00		OEM: This part number is among the Top 100 Most Popular Marine Maintenance Parts as of August 2013.
92990-06600-00		OEM: This part number is among the Top 100 Most Popular Marine Maintenance Parts as of August 2013.

©2013 Yamaha Motor Corporation, U.S.A. All rights reserved.

L150ETXJ 1986 / GAUGES & COMPONENT PARTS



©2013 Yamaha Motor Corporation, U.S.A. All rights reserved.

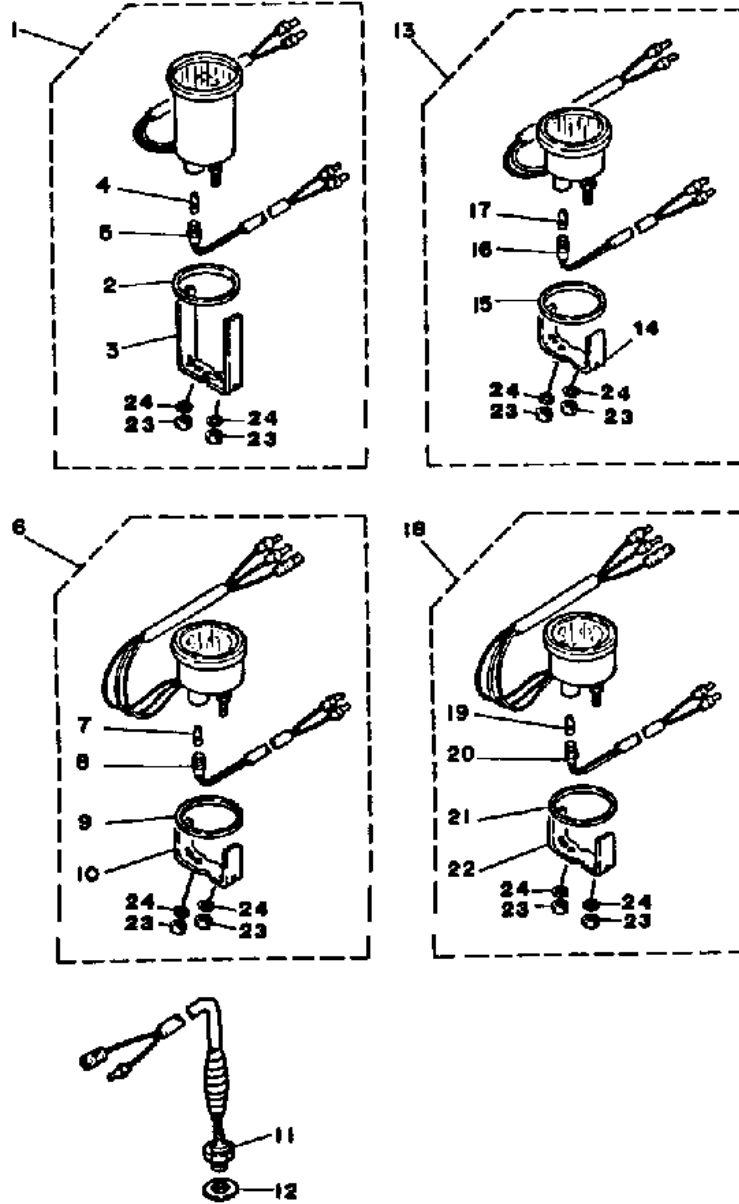


## Part List

L150ETXJ 1986 / GAUGES &amp; COMPONENT PARTS

REF - NO	PART NUMBER	PART NAME	QUANTITY	REMARKS
1	6Y5-83540-04-00	TACHOMETER ASSEMBLY	1	
2	688-83516-00-00	BULB (12V-1.7W, T10)	1	
3	688-83536-00-00	SOCKET, METER	1	
4	6Y5-83523-00-00	.DAMPER	1	
5	6Y5-83514-00-00	.PLATE, FITTING	1	
6	6Y5-83509-02-00	SOCKET CORD ASSEMBLY	1	
7	6Y5-83516-00-00	BULB, METER	3	
8	6Y5-83510-00-00	SPEEDOMETER (0-75M)	1	
9	688-83516-00-00	BULB (12V-1.7W, T10)	1	
10	688-83536-00-00	SOCKET, METER	1	
11	6Y5-83523-00-00	.DAMPER	1	
12	6Y5-83514-00-00	.PLATE, FITTING	1	
13	688-83557-00-00	.TUBE	1	
14	90465-11M10-00	CLAMP	2	
15	90601-31402-00	CLIP, NYLON 14	5	
16	97780-40116-00	SCREW, TAPPING	5	
17	6Y5-83660-10-00	WATER PRESSURE METER ASSY	1	
18	6Y5-83518-00-00	.BULB (12V-1.7W T6.5)	1	
19	6Y5-83536-00-00	.SOCKET, METER	1	
20	688-83664-00-00	.DAMPER	1	
21	688-83665-00-00	.PLATE, FITTING	1	
22	688-83667-00-00	SENDER	1	
23	688-83666-00-00	.TUBE	1	
24	663-83668-00-00	.NUT, NIPPLE	2	
25	90430-14115-00	.GASKET	1	
26	90601-31402-00	CLIP, NYLON 14	5	
27	97780-40116-00	SCREW, TAPPING	5	
28	95380-05600-00	NUT	6	
29	92990-05100-00	.WASHER, SPRING	6	

L150ETXJ 1986 / OPTIONAL PARTS GAUGES & COMPONENT PARTS



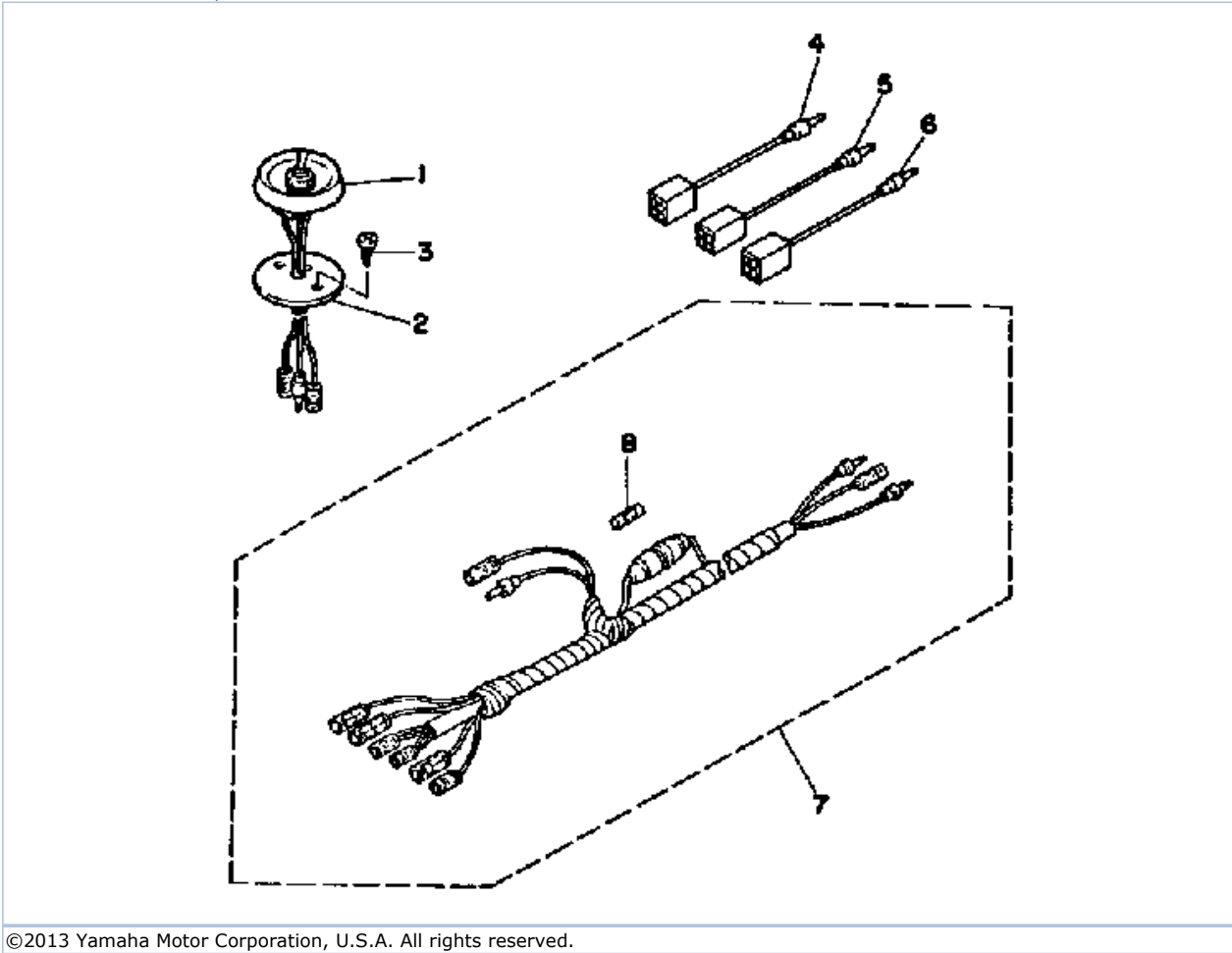
©2013 Yamaha Motor Corporation, U.S.A. All rights reserved.

## Part List

L150ETXJ 1986 / OPTIONAL PARTS GAUGES &amp; COMPONENT PARTS

REF - NO	PART NUMBER	PART NAME	QUANTITY	REMARKS
1	6Y5-83504-01-00	HOUR METER ASSY	1	
2	688-83664-00-00	.DAMPER	1	
3	688-83577-00-00	PLATE, FITTING	1	
4	6Y5-83518-00-00	.BULB (12V-1.7W T6.5)	1	
5	6Y5-83536-00-00	.SOCKET, METER	1	
6	6Y5-83590-00-00	WATER TEMP METER	1	
7	6Y5-83518-00-00	.BULB (12V-1.7W T6.5)	1	
8	6Y5-83536-00-00	.SOCKET, METER	1	
9	688-83664-00-00	.DAMPER	1	
10	688-83665-00-00	.PLATE, FITTING	1	
11	688-83591-00-00	THERMO UNIT	1	
12	90430-14115-00	.GASKET	1	
13	6Y5-83503-00-00	VOLT METER	1	
14	688-85756-00-00	PLATE, FITTING	1	
15	688-83664-00-00	.DAMPER	1	
16	6Y5-83536-00-00	.SOCKET, METER	1	
17	6Y5-83518-00-00	.BULB (12V-1.7W T6.5)	1	
18	6Y5-85750-10-00	ANALOG FUEL METER (BLACK)	1	
19	6Y5-83518-00-00	.BULB (12V-1.7W T6.5)	1	
20	6Y5-83536-00-00	.SOCKET, METER	1	
21	688-83664-00-00	.DAMPER	1	
22	688-85756-00-00	PLATE, FITTING	1	
23	95380-05600-00	NUT	8	
24	92990-05100-00	.WASHER, SPRING	8	

L150ETXJ 1986 / OPTIONAL PARTS LEAD WIRE - ACCESSORIES



©2013 Yamaha Motor Corporation, U.S.A. All rights reserved.

## Part List

L150ETXJ 1986 / OPTIONAL PARTS LEAD WIRE - ACCESSORIES

REF - NO	PART NUMBER	PART NAME	QUANTITY	REMARKS
1	688-82563-10-00	TRIM & TILT SWITCH ASSY	1	
2	688-82388-00-00	PLATE	1	
3	97780-40116-00	SCREW, TAPPING	2	
4	6Y5-82149-00-00	WIRE, LEAD (BLUE) (L300)	1	U.R.
5	6Y5-82117-00-00	WIRE, LEAD (BLACK) (L300)	1	U.R.
6	6Y5-82521-00-00	WIRE, LEAD (YELLOW)	1	U.R.
7	6Y5-83553-00-00	WIRE, LEAD (L=2.5M)	1	
8	1E6-82151-00-00	FUSE (10A)	1	

L150ETXJ 1986 / REPAIR KIT

No Image  
Available

©2013 Yamaha Motor Corporation, U.S.A. All rights reserved.

## Part List

L150ETXJ 1986 / REPAIR KIT

REF - NO	PART NUMBER	PART NAME	QUANTITY	REMARKS
8	93606-12019-00	.PIN, DOWEL	1	
8	93606-12019-00	.PIN, DOWEL	1	
8	98580-05016-00	SCREW, PAN HEAD	3	
8	90430-08020-00	.GASKET	2	
8	90430-08020-00	.GASKET	2	
8	92990-05100-00	.WASHER, SPRING	3	
8	6E5-14386-01-00	PIN, FLOAT	3	
8	367-14195-00-00	GASKET	3	
8	93210-58677-00	O-RING	1	
8	93210-58677-00	O-RING	1	
8	98580-05018-00	.SCREW, PAN HEAD	3	
8	98901-04010-00	SCREW, BIND	3	
8	93210-37M67-00	O-RING	1	
8	93210-37M67-00	O-RING	1	
8	93210-37M67-00	O-RING	1	
8	93210-37M67-00	O-RING	1	
8	93210-54534-00	O-RING	1	
8	93210-54534-00	O-RING	1	
8	93210-74M35-00	.O-RING	1	
8	97395-08045-00	BOLT	4	
8	97395-08045-00	BOLT	4	
8	90209-08M02-00	WASHER	4	
8	90209-08M02-00	WASHER	4	
8	6E5-11381-00-00	GASKET 1	1	
8	688-12414-A1-00	.GASKET, COVER	2	
8	6G5-11382-A1-00	.GASKET 2	1	
8	93102-40M38-00	OIL SEAL	1	
8	93211-04384-00	.O-RING	2	
8	93102-35M13-00	OIL SEAL	1	
8	93101-22M15-00	.OIL SEAL	1	
8	6E5-14483-01-00	GASKET	1	
8	6E5-14198-A1-00	GASKET	1	
8	6E5-14198-A1-00	GASKET	1	
8	6E5-14198-A1-00	GASKET	3	
8	6E5-13621-00-00	GASKET, VALVE SEAT	6	
8	6E5-14384-02-00	GASKET, FLOAT CHAMBER	3	
8	6G4-14385-00-00	FLOAT ASSEMBLY	3	
8	1J2-14398-00-00	GASKET	6	
8	6G4-14390-17-00	VALVE SEAT ASSEMBLY	3	
8	6E5-14398-00-00	.GASKET	3	
8	682-41291-00-00	BUSHING	1	
8	617-24565-00-00	GASKET	6	
8	6E5-14384-03-00	GASKET, FLOAT CHAMBER	3	
8	6J8-14995-00-00	GASKET	6	
8	6E5-14385-02-00	FLOAT	3	
8	6E5-14546-00-00	VALVE, NEEDLE	3	
8	6E5-14386-02-00	PIN, FLOAT	3	
8	6E5-14997-00-00	O-RING	6	
8	6E5-14398-01-00	GASKET	6	
8	6E5-14979-00-00	GASKET	6	
8	6E5-14323-03-00	SCREW, AIR ADJUSTING	6	
8	6E5-14959-01-00	GASKET	3	
8	6G5-45114-00-00	GASKET, UPPER CASING	1	

8	6G5-45114-00-00	GASKET, UPPER CASING	1	
8	6E5-45123-00-00	.GASKET, MUFFLER	1	
8	6E5-45123-00-00	.GASKET, MUFFLER	1	
8	6E5-41135-00-00	GASKET, EXHAUST MANIFOLD	1	
8	6E5-41135-00-00	GASKET, EXHAUST MANIFOLD	1	
8	6G5-45113-A0-00	GASKET, UPPER CASING	1	
8	93106-09014-00	.OIL SEAL	1	
8	93106-09014-00	.OIL SEAL	1	
8	6E5-44322-00-00	INSERT, CARTRIDGE	1	
8	6E5-44322-00-00	INSERT, CARTRIDGE	1	
8	93210-86M38-00	.O-RING	1	
8	93210-86M38-00	.O-RING	1	
8	93210-86M38-00	.O-RING	1	
8	93210-86M38-00	.O-RING	1	
8	6E5-44352-00-00	IMPELLER	1	
8	6E5-44352-00-00	IMPELLER	1	
8	6E5-44315-00-00	GASKET, WATER PUMP	1	
8	6E5-44315-00-00	GASKET, WATER PUMP	1	
8	6E5-44315-00-00	GASKET, WATER PUMP	1	
8	6E5-44315-00-00	GASKET, WATER PUMP	1	
8	90280-04M05-00	.KEY, WOODRUFF	1	
8	90280-04M05-00	.KEY, WOODRUFF	1	
8	93101-28M16-00	.OIL SEAL	2	
8	93101-28M16-00	.OIL SEAL	2	
8	93101-30M17-00	.OIL SEAL	2	
8	93101-30M17-00	.OIL SEAL	2	
8	6E5-44365-00-00	DAMPER, WATER SEAL 1	1	
8	6E5-44365-00-00	DAMPER, WATER SEAL 1	1	
8	6E5-44366-00-00	DAMPER, WATER SEAL 2	1	
8	6E5-44366-00-00	DAMPER, WATER SEAL 2	1	
8	6E5-43861-00-00	O-RING	1	
8	6E5-43861-00-00	O-RING	1	
8	6E5-43862-00-00	O-RING	4	
8	6E5-43862-00-00	O-RING	4	
8	6E5-43872-00-00	RING, BACK UP	2	
8	6E5-43872-00-00	RING, BACK UP	2	
8	6E5-43863-00-00	O-RING	1	
8	6E5-43863-00-00	O-RING	1	
8	6E5-43864-00-00	O-RING	2	
8	6E5-43864-00-00	O-RING	2	
8	6E5-43874-01-00	RING, BACK UP	2	
8	6E5-43874-01-00	RING, BACK UP	2	
8	6E5-43822-01-00	SEAL, TRIM DUST	2	
8	6E5-43822-01-00	SEAL, TRIM DUST	2	
8	6E5-43865-00-00	O-RING	2	
8	6E5-43865-00-00	O-RING	2	
8	6E5-43802-00-00	VALVE SUB ASSEMBLY	2	
8	6E5-43802-00-00	VALVE SUB ASSEMBLY	2	
8	6E5-43868-00-00	O-RING	1	
8	6E5-43868-00-00	O-RING	1	
8	6E5-43869-00-00	O-RING	2	
8	6E5-43869-00-00	O-RING	2	
8	6E5-43851-01-00	SEAT, RELIEF VALVE	1	
8	6E5-43851-01-00	SEAT, RELIEF VALVE	1	
8	6E5-43858-00-00	BALL	1	
8	6E5-43858-00-00	BALL	1	
8	6E5-43856-00-00	SPRING, DOWN RELIEF	1	
8	6E5-43856-00-00	SPRING, DOWN RELIEF	1	









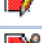





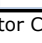


8	6E5-43883-00-00	O-RING	1	
8	6E5-43883-00-00	O-RING	1	
8	6E5-43855-00-00	SPRING, UP RELIEF	1	
8	6E5-43855-00-00	SPRING, UP RELIEF	1	
8	6E5-43877-01-00	BALL	1	
8	6E5-43877-01-00	BALL	1	
8	6E5-43895-00-00	O-RING	1	
8	6E5-43895-00-00	O-RING	1	
8	6E5-43896-00-00	..O-RING	1	
8	6E5-43896-00-00	..O-RING	1	
8	6E5-43816-10-00	FILTER 1	1	
8	6E5-43816-10-00	FILTER 1	1	
8	6E5-43817-10-00	FILTER 2	1	
8	6E5-43817-10-00	FILTER 2	1	
8	6E5-43897-00-00	O-RING	1	
8	6E5-43897-00-00	O-RING	1	
8	93210-07M78-00	O-RING	2	
8	93210-07M78-00	O-RING	2	
8	6E5-43847-00-00	SEAT, MANUAL VALVE	2	
8	6E5-43847-00-00	SEAT, MANUAL VALVE	2	
8	6E5-43854-01-00	SPRING, MANUAL RELEASE	1	
8	6E5-43854-01-00	SPRING, MANUAL RELEASE	1	
8	93210-10M74-00	O-RING	1	
8	93210-10M74-00	O-RING	1	
8	93210-18M75-00	O-RING	1	
8	93210-18M75-00	O-RING	1	
8	6E5-43824-01-00	SPRING, COMPRESSION	1	
8	6E5-43824-01-00	SPRING, COMPRESSION	1	
8	93210-06M77-00	O-RING	1	
8	93210-06M77-00	O-RING	1	
8	6E5-W0094-00-00	PT & T OVERHAUL KIT	1	
8	6E5-W0094-00-00	PT & T OVERHAUL KIT	1	
8	6E5-14323-00-00	SCREW, AIR ADJUSTING	6	
8	6G5-11181-A0-00	GASKET, CYLINDER HEAD 1	2	
8	6G5-11193-01-00	GASKET, HEAD COVER 1	2	
8	6G5-41112-A1-00	GASKET, EXHAUST INNER COVER	2	
8	6G5-W0001-03-00	POWER HEAD GASKET KIT	1	
8	6G5-14416-00-00	GASKET, AIR CLEANER	1	
8	6G5-14483-01-00	GASKET	1	
8	6G5-14483-01-00	GASKET	1	
8	6G5-13645-A1-00	GASKET, MANIFOLD 1	1	
8	6G5-41134-00-00	GASKET, EXHAUST MANIFOLD	1	
8	6G5-41134-00-00	GASKET, EXHAUST MANIFOLD	1	
8	6G5-44323-00-00	.OUTER PLATE, CARTRIDGE	1	
8	6G5-44323-00-00	.OUTER PLATE, CARTRIDGE	1	
8	93210-97M55-00	.O-RING	1	
8	93210-97M55-00	.O-RING	1	
8	6G5-W0001-21-00	LOWER UNIT GASKET KIT	1	
8	6G5-W0001-21-00	LOWER UNIT GASKET KIT	1	
8	6G5-W0078-01-00	WATER PUMP REPAIR KIT	1	
8	6G5-W0078-01-00	WATER PUMP REPAIR KIT	1	
8	6G5-W0093-02-00	CARBURETOR REPAIR KIT	1	SEE NOTE
8	6G5-W0093-05-00	CARBURETOR REPAIR KIT	1	

## Part Notes

L150ETXJ 1986 / REPAIR KIT

PART NUMBER	NOTE TEXT
-------------	-----------

90430-08020-00		OEM: This part number is among the Top 100 Most Popular Marine Maintenance Parts as of August 2013.
90430-08020-00		OEM: This part number is among the Top 100 Most Popular Marine Maintenance Parts as of August 2013.
93210-54534-00		OEM: This part number is among the Top 100 Most Popular Marine Maintenance Parts as of August 2013.
93210-54534-00		OEM: This part number is among the Top 100 Most Popular Marine Maintenance Parts as of August 2013.
688-12414-A1-00		OEM: This part number is among the Top 100 Most Popular Marine Maintenance Parts as of August 2013.
93106-09014-00		OEM: This part number is among the Top 100 Most Popular Marine Maintenance Parts as of August 2013.
93106-09014-00		OEM: This part number is among the Top 100 Most Popular Marine Maintenance Parts as of August 2013.
93210-86M38-00		OEM: This part number is among the Top 100 Most Popular Marine Maintenance Parts as of August 2013.
93210-86M38-00		OEM: This part number is among the Top 100 Most Popular Marine Maintenance Parts as of August 2013.
93210-86M38-00		OEM: This part number is among the Top 100 Most Popular Marine Maintenance Parts as of August 2013.
93210-86M38-00		OEM: This part number is among the Top 100 Most Popular Marine Maintenance Parts as of August 2013.
93101-28M16-00		OEM: This part number is among the Top 100 Most Popular Marine Maintenance Parts as of August 2013.
93101-28M16-00		OEM: This part number is among the Top 100 Most Popular Marine Maintenance Parts as of August 2013.
93101-30M17-00		OEM: This part number is among the Top 100 Most Popular Marine Maintenance Parts as of August 2013.
93101-30M17-00		OEM: This part number is among the Top 100 Most Popular Marine Maintenance Parts as of August 2013.

©2013 Yamaha Motor Corporation, U.S.A. All rights reserved.

©2013 Yamaha Motor Corporation, U.S.A. All rights reserved.