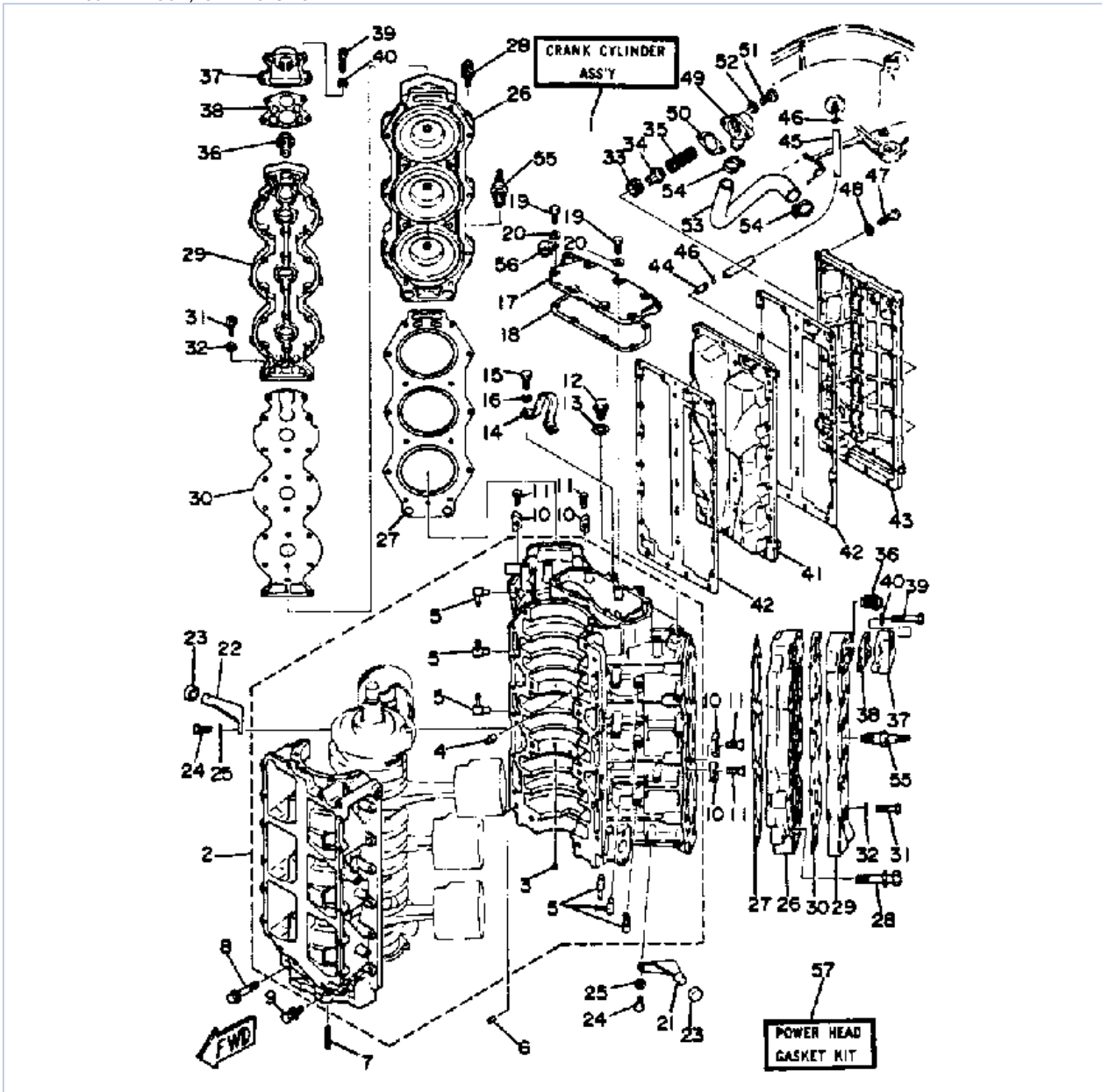


150ETXN 1984 / CRANKCASE CYLINDER



©2013 Yamaha Motor Corporation, U.S.A. All rights reserved.

Part List

150ETXN 1984 / CRANKCASE CYLINDER

| REF - NO | PART NUMBER | PART NAME | QUANTITY | REMARKS |
|----------|-----------------|------------------------------|----------|----------------------------|
| 1 | 6G5-W0090-15-EK | CRANK CYLINDER ASSEMBLY | 1 | U.R. 175/200 MODEL |
| 1 | 6G4-W0090-16-EK | CRANK CYLINDER ASSEMBLY | 1 | U.R. 150 MODEL (NOT SHOWN) |
| 2 | 6G4-15100-04-94 | CRANKCASE ASSY | 1 | U.R. 150 MODEL (NOT SHOWN) |
| 2 | 6G5-15100-04-94 | CRANKCASE ASSY | 1 | U.R. 175/200 MODEL |
| 3 | 624-11379-00-00 | .VALVE, CHECK | 2 | |
| 4 | 663-11518-01-00 | .LOCK, BEARING | 2 | |
| 5 | 646-11370-00-00 | .CHECK VALVE ASSY | 6 | |
| 6 | 93608-12063-00 | PIN, DOWEL | 2 | |
| 7 | 90116-08M14-00 | BOLT, STUD | 2 | |
| 8 | 90105-10M20-00 | BOLT, FLANGE | 8 | |
| 9 | 90119-08M23-00 | BOLT, W/WASHER | 12 | |
| 10 | 6E5-11325-00-00 | ANODE | 8 | |
| 11 | 98680-04016-00 | SCREW OVAL HEAD | 8 | |
| 12 | 90340-14M00-00 | .PLUG, STRAIGHT SCREW | 1 | |
| 13 | 90430-14115-00 | .GASKET | 1 | |
| 14 | 6E5-11119-00-00 | HANGER, ENGINE | 1 | |
| 15 | 97313-08020-00 | BOLT, HEXAGON | 2 | |
| 16 | 92990-08100-00 | WASHER, SPRING | 2 | |
| 17 | 6E5-11371-00-9M | COVER | 1 | |
| 18 | 6E5-11381-00-00 | .GASKET 1 | 1 | |
| 19 | 97313-06020-00 | BOLT, HEXAGON | 7 | |
| 20 | 92990-06600-00 | .WASHER, PLATE | 7 | |
| 21 | 6E5-42761-00-94 | STOPPER | 1 | |
| 22 | 6E5-42762-00-94 | STOPPER | 1 | |
| 23 | 663-44533-00-00 | DAMPER, UPPER MOUNT RUBBER | 2 | |
| 24 | 97313-06020-00 | BOLT, HEXAGON | 4 | |
| 25 | 92990-06600-00 | .WASHER, PLATE | 4 | |
| 26 | 6G4-11111-01-94 | HEAD, CYLINDER | 2 | U.R. 150 MODEL |
| 26 | 6G5-11111-03-94 | HEAD, CYLINDER 1 | 2 | U.R. 175/200 MODEL |
| 27 | 6G5-11181-A0-00 | .GASKET, CYLINDER HEAD 1 | 2 | |
| 28 | 90119-08M21-00 | BOLT, WITH WASHER | 28 | |
| 29 | 6G5-11191-00-9M | COVER, CYLINDER HEAD 1 | 2 | |
| 30 | 6G5-11193-01-00 | GASKET, HEAD COVER 1 | 2 | |
| 31 | 97313-06030-00 | BOLT | 36 | |
| 32 | 92990-06600-00 | .WASHER, PLATE | 36 | |
| 33 | 90480-20M05-00 | GROMMET | 1 | |
| 34 | 6G5-12416-00-00 | VALVE, PRESSURE CONTROL | 1 | |
| 35 | 90501-16M11-00 | SPRING, COMPRESSION | 1 | |
| 36 | 688-12411-10-00 | THERMOSTAT | 2 | |
| 37 | 6G5-12413-00-9M | COVER, THERMOSTAT | 2 | |
| 38 | 688-12414-A1-00 | .GASKET, COVER | 2 | |
| 39 | 97313-06045-00 | BOLT, HEXAGON | 8 | |
| 40 | 92990-06600-00 | .WASHER, PLATE | 8 | |
| 41 | 6G5-41111-00-9M | INNER COVER, EXHAUST | 1 | |
| 42 | 6G5-41112-A1-00 | .GASKET, EXHAUST INNER COVER | 2 | |
| 43 | 6G5-41113-00-9M | OUTER COVER, EXHAUST | 1 | |
| 44 | 652-24461-00-00 | .PIPE, JOINT 4 | 1 | |
| 45 | 6E5-24312-00-00 | PIPE 2 | 1 | |
| 46 | 90467-08004-00 | CLIP | 2 | |
| 47 | 97013-06035-00 | BOLT | 29 | |
| 48 | 92990-06600-00 | .WASHER, PLATE | 29 | |
| 49 | 6G5-11372-00-5B | NIPPLE, HOSE (6G5-11372- | 1 | |

| | | | | |
|----|-----------------|---------------------------|---|----------------------------|
| | | 00-9M) | | |
| 50 | 6G5-11382-A1-00 | .GASKET 2 | 1 | |
| 51 | 97313-06020-00 | BOLT, HEXAGON | 2 | |
| 52 | 92990-06600-00 | .WASHER, PLATE | 2 | |
| 53 | 6G5-12576-00-00 | HOSE 1 | 1 | |
| 54 | 90465-13M36-00 | CLAMP | 2 | |
| 55 | NGK-B8HS1-00-00 | PLUG, SPARK (NGK B8HS-10) | 1 | U.R 175/200 MODEL |
| 55 | NGK-B7HS1-00-00 | PLUG, SPARK (NGK B7HS-10) | 6 | U.R. 150 MODEL (NOT SHOWN) |
| 56 | 90465-08028-00 | CLAMP | 1 | |
| 57 | 6G5-W0001-03-00 | POWER HEAD GASKET KIT | 1 | |

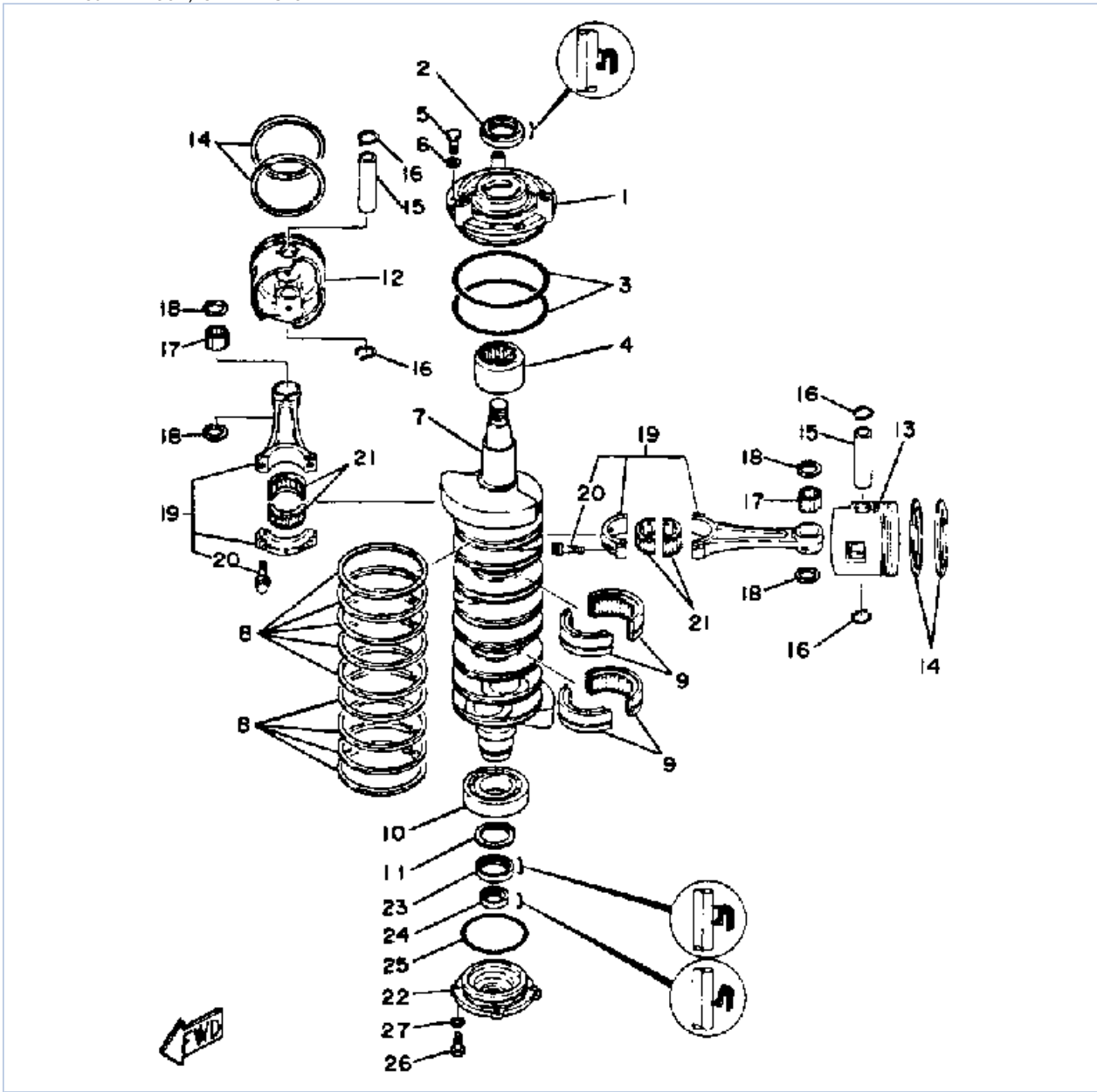
Part Notes

150ETXN 1984 / CRANKCASE CYLINDER

| PART NUMBER | | NOTE TEXT |
|-----------------|---|---|
| 92990-06600-00 |  | OEM: This part number is among the Top 100 Most Popular Marine Maintenance Parts as of August 2013. |
| 92990-06600-00 |  | OEM: This part number is among the Top 100 Most Popular Marine Maintenance Parts as of August 2013. |
| 92990-06600-00 |  | OEM: This part number is among the Top 100 Most Popular Marine Maintenance Parts as of August 2013. |
| 90480-20M05-00 |  | OEM: This part number is among the Top 100 Most Popular Marine Maintenance Parts as of August 2013. |
| 688-12414-A1-00 |  | OEM: This part number is among the Top 100 Most Popular Marine Maintenance Parts as of August 2013. |
| 92990-06600-00 |  | OEM: This part number is among the Top 100 Most Popular Marine Maintenance Parts as of August 2013. |
| 92990-06600-00 |  | OEM: This part number is among the Top 100 Most Popular Marine Maintenance Parts as of August 2013. |
| 92990-06600-00 |  | OEM: This part number is among the Top 100 Most Popular Marine Maintenance Parts as of August 2013. |

©2013 Yamaha Motor Corporation, U.S.A. All rights reserved.

150ETXN 1984 / CRANK PISTON



©2013 Yamaha Motor Corporation, U.S.A. All rights reserved.




Part List

150ETXN 1984 / CRANK PISTON

| REF - NO | PART NUMBER | PART NAME | QUANTITY | REMARKS |
|----------------|-----------------|------------------------------|----------|-----------------------|
| 1 | 6E5-15163-00-94 | HOUSING, BEARING 1 | 1 | |
| 2 | 93102-40M38-00 | OIL SEAL | 1 | |
| 3 | 93211-04384-00 | .O-RING | 2 | |
| 4 | 93311-940U3-00 | BEARING | 1 | |
| 5 | 97313-06020-00 | BOLT, HEXAGON | 4 | |
| 6 | 92990-06600-00 | WASHER, PLATE | 4 | |
| 7 | 6G5-11411-00-00 | CRANKSHAFT | 1 | |
| 8 | 6E5-11447-00-00 | SEAL, CRANK | 9 | |
| 9 | 93310-954V3-00 | BEARING, CYLINDRICAL | 2 | |
| 10 | 93306-208U0-00 | BEARING | 1 | |
| 11 | 93410-40M03-00 | CIRCLIP | 1 | |
| 12 | 6G5-11631-00-93 | PISTON STD (STD) | 3 | |
| 12 | 6G5-11636-00-00 | PISTON 2 O/S 0.50 (2ND O.S.) | 3 | ALT. PART (NOT SHOWN) |
| 13 | 6G5-11642-00-93 | PISTON STD (STD) | 3 | |
| 13 | 6G5-11646-00-00 | PISTON 2ND (2ND O.S.) | 3 | ALT. PART (NOT SHOWN) |
| 14 | 6E5-11610-23-00 | PISTON RING SET (2ND O/S) | 6 | ALT. PART (NOT SHOWN) |
| 14 | 6E5-11610-03-00 | PISTON RING SET | 6 | |
| 15 | 6E5-11633-01-00 | PIN, PISTON | 6 | |
| 16 | 6E5-11634-00-00 | CLIP, PISTON PIN | 12 | |
| 17 | 93603-21111-00 | PIN, DOWEL | 180 | |
| 18 | 90201-21M75-00 | WASHER, PLATE | 12 | |
| 19 | 6E5-11650-01-00 | CONNECTING ROD ASSY | 6 | |
| 20 | 90109-08M61-00 | .BOLT | 12 | |
| 21 | 93310-836V2-00 | BEARING | 6 | |
| 22 | 6G5-15359-00-94 | HOUSING, OIL SEAL | 1 | |
| 23 | 93102-35M13-00 | OIL SEAL | 1 | |
| 24 | 93101-22M15-00 | .OIL SEAL | 1 | |
| 25 | 93210-74M35-00 | .O-RING | 1 | |
| 26 | 97395-06020-00 | BOLT, HEXAGON | 4 | |
| 27 | 92990-06600-00 | WASHER, PLATE | 4 | |

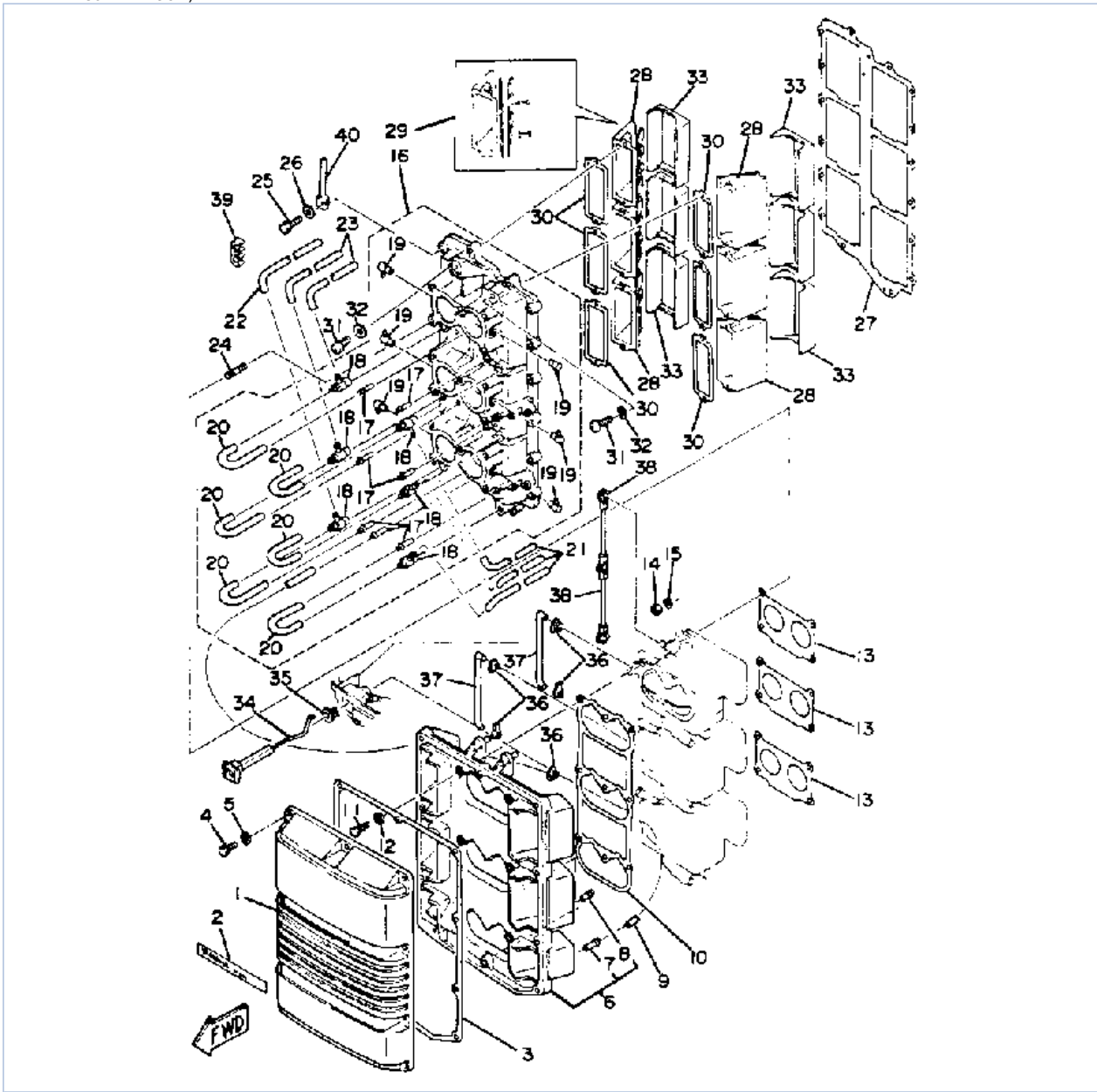
Part Notes

150ETXN 1984 / CRANK PISTON

| PART NUMBER | NOTE TEXT |
|--|---|
| 92990-06600-00  | OEM: This part number is among the Top 100 Most Popular Marine Maintenance Parts as of August 2013. |
| 93603-21111-00  | OEM: This part number is among the Top 100 Most Popular Marine Maintenance Parts as of August 2013. |
| 92990-06600-00  | OEM: This part number is among the Top 100 Most Popular Marine Maintenance Parts as of August 2013. |

©2013 Yamaha Motor Corporation, U.S.A. All rights reserved.

150ETXN 1984 / INTAKE



©2013 Yamaha Motor Corporation, U.S.A. All rights reserved.





Part List

150ETXN 1984 / INTAKE

| REF - NO | PART NUMBER | PART NAME | QUANTITY | REMARKS |
|----------|-----------------|-----------------------------------|----------|--------------------|
| 1 | 6G5-14418-00-00 | COVER 2 | 1 | |
| 2 | 6G5-1441K-00-00 | EMBLEM | 1 | |
| 3 | 6G5-14416-00-00 | GASKET, AIR CLEANER | 1 | |
| 4 | 97313-06020-00 | BOLT, HEXAGON | 10 | |
| 5 | 92990-06600-00 | WASHER, PLATE | 10 | |
| 6 | 6G5-14417-00-94 | COVER 1 | 1 | |
| 7 | 624-14485-00-00 | .PIPE, JOINT | 1 | |
| 8 | 6E5-14485-00-00 | .PIPE, JOINT | 1 | |
| 9 | 90445-07M23-00 | HOSE (L408) | 1 | |
| 10 | 6G5-14483-01-00 | GASKET | 1 | |
| 11 | 97313-06020-00 | BOLT, HEXAGON | 6 | |
| 12 | 92990-06600-00 | WASHER, PLATE | 6 | |
| 13 | 6E5-14198-A1-00 | GASKET | 3 | |
| 14 | 95380-06600-00 | NUT, HEXAGON | 12 | |
| 15 | 92995-06100-00 | WASHER, SPRING | 12 | |
| 16 | 6G5-13641-10-94 | MANIFOLD 1 | 1 | |
| 17 | 624-14485-00-00 | .PIPE, JOINT | 7 | |
| 18 | 6E5-11375-00-00 | .NIPPLE, HOSE 1 | 6 | |
| 19 | 6E5-13552-00-00 | .NOZZLE | 6 | |
| 20 | 90445-07M28-00 | .HOSE (L70) | 6 | |
| 21 | 90445-07M45-00 | HOSE (L340) | 3 | |
| 22 | 90445-07M59-00 | HOSE (L410) | 1 | |
| 23 | 90445-07M46-00 | HOSE (L360) | 2 | |
| 24 | 90116-06M08-00 | BOLT, STUD | 12 | |
| 25 | 97313-06025-00 | BOLT | 16 | |
| 26 | 92990-06600-00 | WASHER, PLATE | 16 | |
| 27 | 6G5-13645-A1-00 | GASKET, MANIFOLD 1 | 1 | |
| 28 | 6E5-13610-00-00 | REED VALVE ASSY | 6 | U.R. 200 MODEL |
| 28 | 6G5-13610-00-00 | REED VALVE ASSY | 6 | U.R. 150/175 MODEL |
| 29 | 6E5-W0004-00-00 | .REED SET | 6 | |
| 30 | 6E5-13621-00-00 | GASKET, VALVE SEAT | 6 | |
| 31 | 98580-05016-00 | SCREW, PAN HEAD | 12 | |
| 32 | 92990-05600-00 | WASHER, PLATE | 12 | |
| 33 | 6G5-13625-01-00 | SPACER, REED VALVE (6G5-13625-00) | 6 | |
| 34 | 6E5-41271-02-00 | KNOB, CHOKE | 1 | |
| 35 | 689-41273-00-00 | GROMMET | 1 | |
| 36 | 661-41262-02-00 | JOINT, CHOKE LEVER | 5 | |
| 37 | 6E5-41256-01-00 | ROD, CHOKE 1 | 2 | |
| 38 | 6G5-41217-01-00 | ROD, ACCEL. LEVER | 1 | |
| 39 | 90464-07M05-00 | CLAMP | 2 | |
| 40 | 90465-07M20-00 | CLAMP | 2 | |

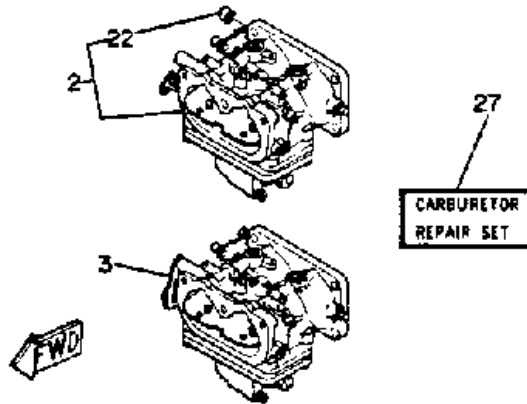
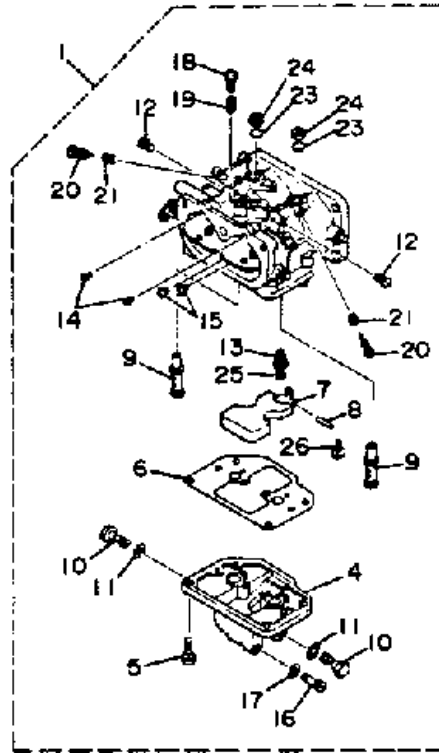
Part Notes

150ETXN 1984 / INTAKE

| PART NUMBER | | NOTE TEXT |
|----------------|---|---|
| 92990-06600-00 |  | OEM: This part number is among the Top 100 Most Popular Marine Maintenance Parts as of August 2013. |
| 92990-06600-00 |  | OEM: This part number is among the Top 100 Most Popular Marine Maintenance Parts as of August 2013. |
| 92995-06100-00 |  | OEM: This part number is among the Top 100 Most Popular Marine Maintenance Parts as of August 2013. |
| 92990-06600-00 |  | OEM: This part number is among the Top 100 Most Popular Marine Maintenance Parts as of August 2013. |

©2013 Yamaha Motor Corporation, U.S.A. All rights reserved.

150ETXN 1984 / CARBURETOR



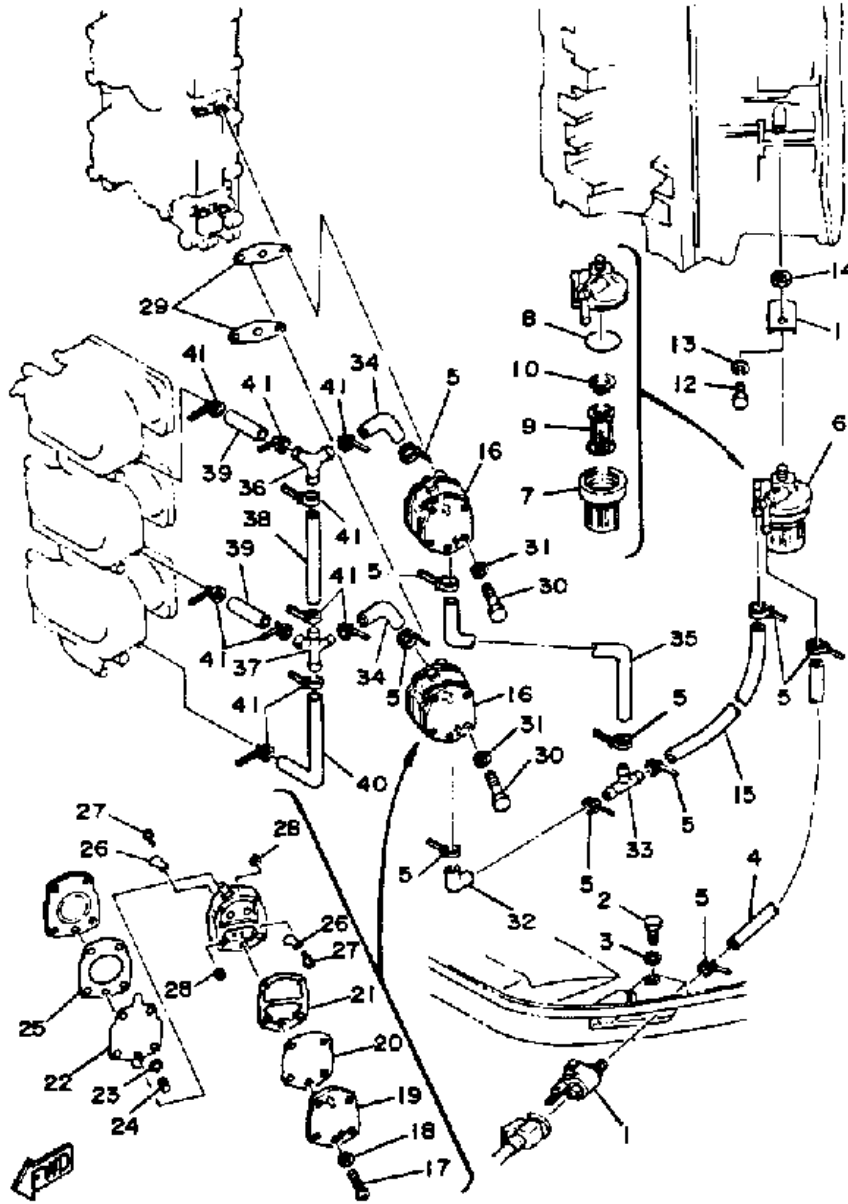
©2013 Yamaha Motor Corporation, U.S.A. All rights reserved.

Part List

150ETXN 1984 / CARBURETOR

| REF - NO | PART NUMBER | PART NAME | QUANTITY | REMARKS |
|----------------|-----------------|---------------------------------|----------|----------------------------|
| 1 | 6G4-14301-01-00 | CARBURETOR (UPPER) (UPPER) | 1 | U.R. 150 MODEL |
| 1 | 6G5-14301-01-00 | CARBURETOR (UPPER) (UPPER) | 1 | U.R. 175 MODEL (NOT SHOWN) |
| 1 | 6G6-14301-01-00 | CARBURETOR (UPPER) (UPPER) | 1 | U.R. 200 MODEL (NOT SHOWN) |
| 2 | 6G4-14302-01-00 | CARBURETOR (CENTER) (CENTER) | 1 | U.R. 150 MODEL |
| 2 | 6G5-14302-01-00 | CARBURETOR ASSEMBLY 2 | 1 | U.R. 175 MODEL (NOT SHOWN) |
| 2 | 6G6-14302-01-00 | CARBURETOR (CENTER) (CENTER) | 1 | U.R. 200 MODEL (NOT SHOWN) |
| 3 | 6G4-14303-01-00 | CARBURETOR (LOWER) (LOWER) | 1 | U.R. 150 MODEL |
| 3 | 6G5-14303-01-00 | CARBURETOR (LOWER) (LOWER) | 1 | U.R. 175 MODEL (NOT SHOWN) |
| 3 | 6G6-14303-01-00 | CARBURETOR (LOWER) (LOWER) | 1 | U.R. 200 MODEL (NOT SHOWN) |
| 4 | 6G4-14381-00-00 | .BODY, FLOAT CHAMBER | 3 | |
| 5 | 98580-05018-00 | .SCREW, PAN HEAD | 12 | |
| 6 | 6E5-14384-02-00 | .GASKET, FLOAT CHAMBER | 3 | |
| 7 | 6E5-14385-01-00 | .SCREW, DRAIN | 3 | |
| 8 | 6E5-14386-01-00 | .PIN, FLOAT | 3 | |
| 9 | 6G6-14341-00-00 | .NOZZLE, MAIN | 6 | U.R. 200 MODEL |
| 9 | 6G5-14341-00-00 | .NOZZLE, MAIN | 6 | U.R. 150/175 MODEL |
| 10 | 6E5-14343-75-00 | .JET, MAIN #150 | 6 | U.R. 200 MODEL (NOT SHOWN) |
| 10 | [6E-51434-36-30 | .UNAVAILABLE IN PRICE BOOK | 6 | U.R. 150/175 MODEL |
| 11 | 1J2-14398-00-00 | .GASKET | 6 | |
| 12 | 6G4-14342-45-00 | .JET, PILOT 90 (90) | 6 | U.R. 150 MODEL |
| 12 | [6G-41434-24-70 | .UNAVAILABLE IN PRICE BOOK | 6 | U.R. 175/200 MODEL |
| 13 | 6E5-14390-20-00 | .NEEDLE VALVE ASSEMBLY | 3 | |
| 14 | 6E5-14347-25-00 | .JET, AIR SLOW | 6 | U.R. 150/175 MODEL |
| 14 | 6E5-14347-30-00 | .JET, AIR SLOW | 6 | U.R. 200 MODEL |
| 15 | [6E-51433-74-50 | .UNAVAILABLE IN PRICE BOOK | 6 | U.R. 175 MODEL |
| 15 | 6E5-14337-65-00 | .AIR JET, MAIN (13) | 6 | U.R. 150 MODEL |
| 15 | 6E5-14337-80-00 | .AIR JET, MAIN (16) | 6 | U.R. 200 MODEL (NOT SHOWN) |
| 16 | 6E5-14383-00-00 | .SCREW, DRAIN | 3 | |
| 17 | 6E5-14398-00-00 | .GASKET | 3 | |
| 18 | 650-14321-00-00 | .SCREW, THROTTLE (UPPER) | 1 | |
| 19 | 647-14334-00-00 | .SPRING | 1 | |
| 20 | 6F5-14323-01-00 | .SCREW, AIR ADJUSTING | 6 | |
| 21 | 650-14223-00-00 | .SPRING, DRAIN VALVE | 6 | |
| 22 | 682-41291-00-00 | .BUSHING | 1 | |
| 23 | 617-24565-00-00 | .GASKET | 6 | |
| 24 | 6G5-14328-00-00 | .SCREW, PILOT STOP | 6 | |
| 25 | 367-14195-00-00 | .GASKET | 3 | |
| 26 | 98901-04010-00 | .SCREW, BIND | 3 | |
| 27 | 6G5-W0093-00-00 | CARBURETOR REPAIR KIT | 1 | SEE NOTE |

150ETXN 1984 / FUEL SYSTEM



©2013 Yamaha Motor Corporation, U.S.A. All rights reserved.





Part List

150ETXN 1984 / FUEL SYSTEM

| REF - NO | PART NUMBER | PART NAME | QUANTITY | REMARKS |
|----------|-----------------|-------------------------|----------|---------|
| 1 | 6E5-24304-10-00 | FUEL PIPE JOINT COMP. 1 | 1 | |
| 2 | 97313-06020-00 | BOLT, HEXAGON | 1 | |
| 3 | 92990-06600-00 | WASHER, PLATE | 1 | |
| 4 | 6G5-24313-00-00 | PIPE 3 | 1 | |
| 5 | 90465-11M10-00 | CLAMP | 10 | |
| 6 | 6E5-24560-00-00 | FILTER ASSY | 1 | |
| 7 | 655-24521-01-00 | .CUP, FILTER | 1 | |
| 8 | 93210-37M25-00 | .O-RING | 1 | |
| 9 | 6F5-24563-00-00 | .ELEMENT, FILTER | 1 | |
| 10 | 655-24564-00-00 | .GASKET | 1 | |
| 11 | 648-24566-01-00 | BRACKET, FILTER | 1 | |
| 12 | 97313-06014-00 | BOLT, HEXAGON | 1 | |
| 13 | 92995-06100-00 | WASHER, SPRING | 1 | |
| 14 | 95333-08600-00 | NUT | 1 | |
| 15 | 6G5-24314-00-00 | PIPE 4 | 1 | |
| 16 | 6E5-24410-03-00 | FUEL PUMP ASSY | 2 | |
| 17 | 98580-05035-00 | .SCREW, PAN HEAD | 6 | |
| 18 | 92990-05600-00 | .WASHER, PLATE | 6 | |
| 19 | 6E5-24413-00-00 | .BODY 2 | 2 | |
| 20 | 6E5-24471-00-00 | .DIAPHRAGM | 2 | |
| 21 | 6E5-24435-00-00 | .GASKET, BODY 2 | 2 | |
| 22 | 6E5-24411-00-00 | .DIAPHRAGM | 2 | |
| 23 | 648-24424-00-00 | .SEAT, SPRING | 2 | |
| 24 | 6E5-24423-00-00 | .SPRING, DIAPHRAGM | 2 | |
| 25 | 6E5-24434-02-00 | .GASKET, BODY | 2 | |
| 26 | 6A0-24421-01-00 | .VALVE, CHECK | 8 | |
| 27 | 98580-03006-00 | .SCREW, PAN HEAD | 8 | |
| 28 | 98813-03100-00 | .NUT | 8 | |
| 29 | 650-24431-A0-00 | GASKET, FUEL PUMP 1 | 2 | |
| 30 | 97313-06050-00 | BOLT | 4 | |
| 31 | 92990-06600-00 | WASHER, PLATE | 4 | |
| 32 | 6E5-24315-00-00 | PIPE 5 | 1 | |
| 33 | 6E5-24378-00-00 | PIPE, JOINT 3 | 1 | |
| 34 | 6E5-24316-00-00 | PIPE 6 | 2 | |
| 35 | 6G5-24315-00-00 | PIPE 5 | 1 | |
| 36 | 6G5-24376-00-00 | PIPE, JOINT 1 | 1 | |
| 37 | 6G5-24377-00-00 | PIPE, JOINT 2 | 1 | |
| 38 | 6G5-24317-01-00 | PIPE 7 | 1 | |
| 39 | 6G5-24318-00-00 | PIPE, OVERFLOW | 2 | |
| 40 | 6G5-24319-00-00 | PIPE, OIL | 1 | |
| 41 | 90465-11M10-00 | CLAMP | 10 | |

Part Notes

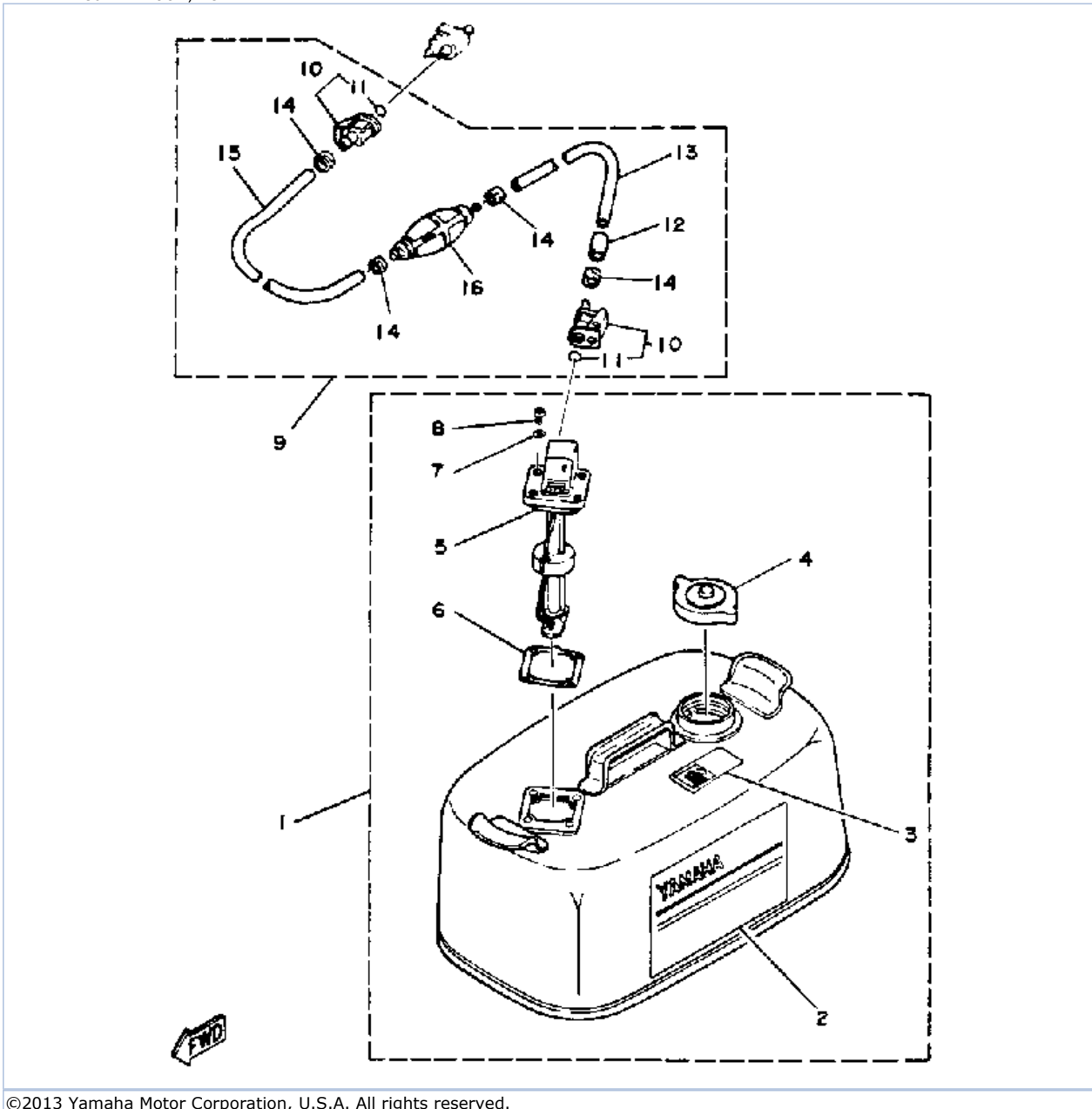
150ETXN 1984 / FUEL SYSTEM

| PART NUMBER | | NOTE TEXT |
|-----------------|---|---|
| 92990-06600-00 |  | OEM: This part number is among the Top 100 Most Popular Marine Maintenance Parts as of August 2013. |
| 92995-06100-00 |  | OEM: This part number is among the Top 100 Most Popular Marine Maintenance Parts as of August 2013. |
| 6E5-24410-03-00 |  | OEM: This part number is among the Top 100 Most Popular Marine Maintenance Parts as of August 2013. |
| 650-24431-A0-00 |  | OEM: This part number is among the Top 100 Most Popular Marine Maintenance Parts as of August 2013. |
| 92990-06600-00 | | OEM: This part number is among the Top 100 Most Popular Marine Maintenance Parts as of August 2013. |



©2013 Yamaha Motor Corporation, U.S.A. All rights reserved.

150ETXN 1984 / FUEL TANK



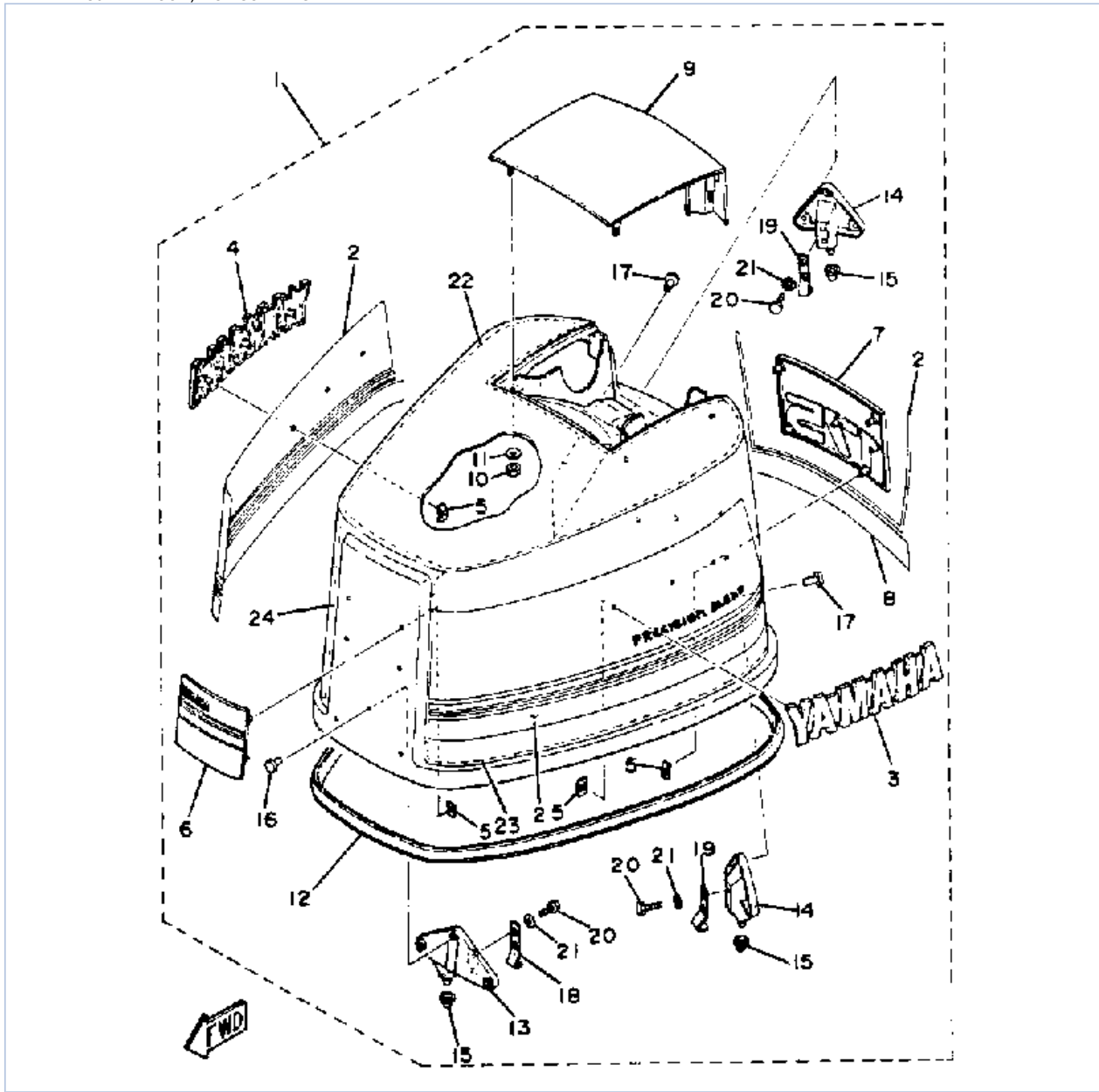
©2013 Yamaha Motor Corporation, U.S.A. All rights reserved.

Part List

150ETXN 1984 / FUEL TANK

| REF - NO | PART NUMBER | PART NAME | QUANTITY | REMARKS |
|----------------|-------------------|-------------------------|----------|---------|
| 1 | 6Y1-W2420-42-24 | FUEL TANK ASSEMBLY | 1 | |
| 2 | 6Y1-24244-20-00 | .GRAPHIC, SIDE | 1 | |
| 3 | 6Y1-24256-50-00 | .GRAPHIC, FUEL TANK | 1 | |
| 4 | 6Y1-24610-00-00 | .CAP ASSEMBLY | 1 | |
| 5 | 6Y1-24260-02-00 | .FUEL METER ASSEMBLY | 1 | |
| 6 | 6Y1-24268-00-00 | .GASKET, FUEL METER | 1 | |
| 7 | 6Y1-24329-00-00 | .SEAL | 4 | |
| 8 | 98586-05016-00 | .SCREW, PAN HEAD | 4 | |
| 9 | 6Y2-24306-51-00 | FUEL PIPE COMP 1 | 1 | |
| 10 | 6E5-24305-02-00 | .FUEL PIPE JOINT COMP 2 | 2 | |
| 11 | 93210-08287-00 | ..O-RING | 2 | |
| 12 | (6Y2-24397-00-00) | COLLAR | 1 | |
| 13 | 90445-13M33-00 | .HOSE (8-13-1900MM) | 1 | |
| 14 | 6E5-24351-51-00 | .BAND 1 | 4 | |
| 15 | 90445-13M34-00 | .HOSE (8-13-1000MM) | 1 | |
| 16 | 6Y2-24360-51-00 | .PRIMER PUMP ASSY | 1 | |

150ETXN 1984 / TOP COWLING



©2013 Yamaha Motor Corporation, U.S.A. All rights reserved.



Part List

150ETXN 1984 / TOP COWLING

| REF - NO | PART NUMBER | PART NAME | QUANTITY | REMARKS |
|----------|-------------------|---------------------------------|----------|----------------------------|
| 1 | 6G4-42610-41-EK | TOP COWLING ASSY | 1 | U.R. 150 MODEL (NOT SHOWN) |
| 1 | 6G6-42610-41-EK | TOP COWLING ASSY | 1 | MODEL (NOT SHOWN) |
| 1 | 6G6-42610-41-EK | TOP COWLING ASSY | 1 | MODEL (NOT SHOWN) |
| 1 | (6G5-42610-40-EK) | TOP COWLING ASSEMBLY | 1 | U.R. 175 MODEL |
| 2 | 6G5-W0070-41-00 | .GRAPHIC SET | 1 | |
| 3 | 6G5-42681-00-00 | .MARK, COWLING | 1 | |
| 4 | 6G5-42682-00-00 | .MARK, COWLING | 1 | |
| 5 | 90183-05M01-00 | .NUT, SPRING | 15 | |
| 6 | 6G5-42686-00-00 | .EMBLEM, FRONT | 1 | |
| 7 | 6G6-42687-00-00 | .EMBLEM, REAR | 1 | U.R. 200 MODEL (NOT SHOWN) |
| 7 | 6G5-42687-00-00 | .EMBLEM, REAR | 1 | U.R. 175 MODEL |
| 7 | 6G4-42687-00-00 | .EMBLEM, REAR | 1 | U.R. 150 MODEL (NOT SHOWN) |
| 8 | 6G5-42678-20-00 | .GRAPHIC, REAR | 1 | |
| 9 | 6G5-42613-00-EK | MOLDING, AIR DUCT | 1 | |
| 10 | 95380-06600-00 | NUT, HEXAGON | 4 | |
| 11 | 92990-06600-00 | .WASHER, PLATE | 4 | |
| 12 | 6E5-42615-00-00 | .SEAL | 1 | |
| 13 | 6E5-42647-00-94 | .HOLDER, CLAMP BAND | 1 | |
| 14 | 6E5-42649-01-94 | .HOLDER, CLAMP BAND | 2 | |
| 15 | 663-42662-00-00 | .DAMPER | 3 | |
| 16 | 90266-06M02-00 | .RIVET | 3 | |
| 17 | 90266-06M02-00 | .RIVET | 6 | |
| 18 | 688-42652-10-00 | .HOOK | 1 | |
| 19 | 6E5-42652-00-00 | .HOOK | 2 | |
| 20 | 97395-06016-00 | BOLT | 6 | |
| 21 | 92990-06600-00 | .WASHER, PLATE | 6 | |
| 22 | 6E5-42617-00-00 | .DAMPER, FORM | 1 | |
| 23 | 689-W4266-50-00 | .DAMPER, FORM (6G5-42619-00-00) | 1 | |
| 24 | 689-W4266-50-00 | .DAMPER, FORM (6G5-42619-00-00) | 1 | |

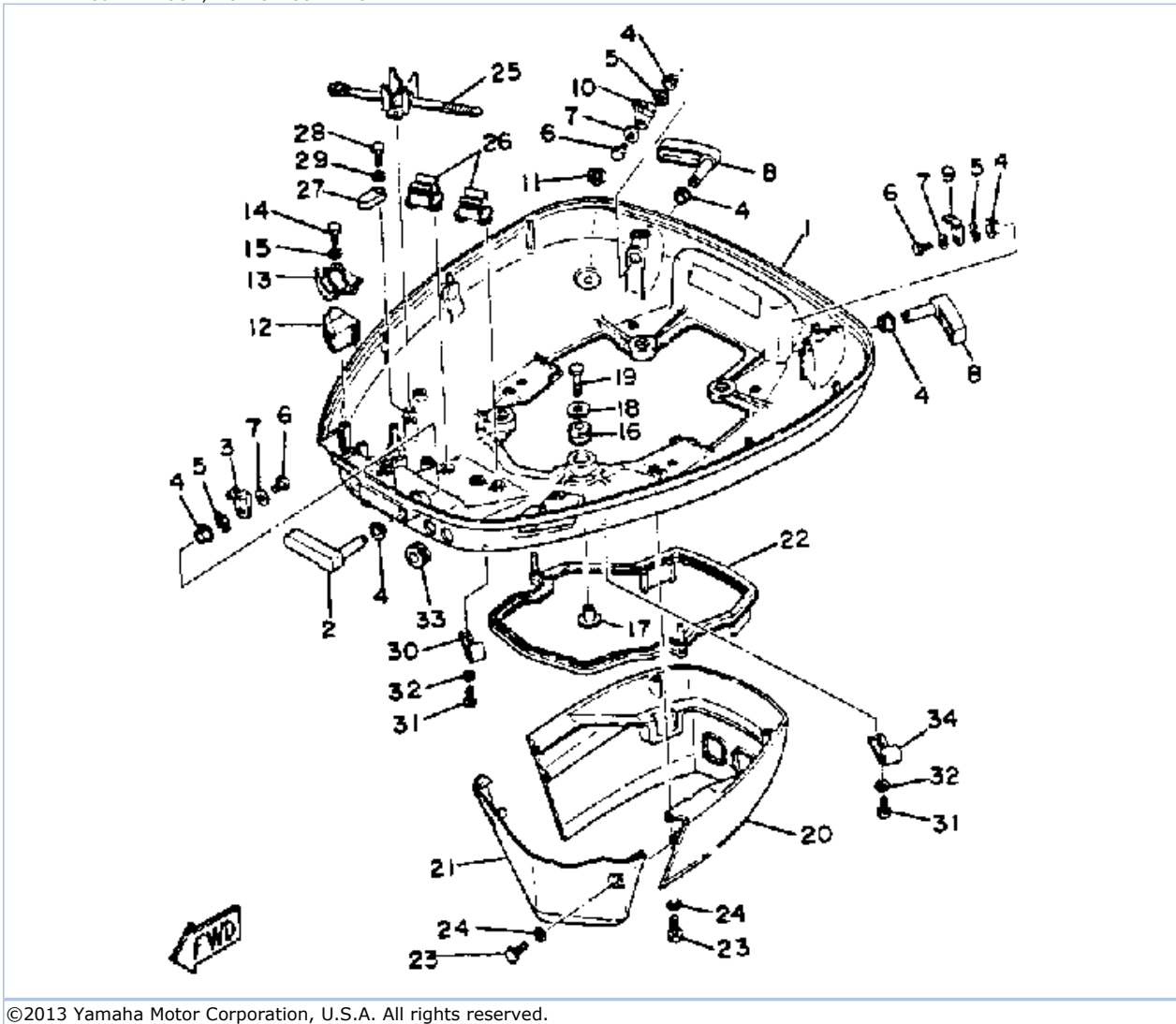
Part Notes

150ETXN 1984 / TOP COWLING

| PART NUMBER | | NOTE TEXT |
|----------------|---|---|
| 92990-06600-00 |  | OEM: This part number is among the Top 100 Most Popular Marine Maintenance Parts as of August 2013. |
| 92990-06600-00 |  | OEM: This part number is among the Top 100 Most Popular Marine Maintenance Parts as of August 2013. |

©2013 Yamaha Motor Corporation, U.S.A. All rights reserved.

150ETXN 1984 / BOTTOM COWLING



©2013 Yamaha Motor Corporation, U.S.A. All rights reserved.





Part List

150ETXN 1984 / BOTTOM COWLING

| REF - NO | PART NUMBER | PART NAME | QUANTITY | REMARKS |
|----------|------------------|--------------------|----------|---------|
| 1 | 6E5-42711-10-EK | BOTTOM COWLING | 1 | |
| 2 | 688-42815-00-EK | LEVER, CLAMP | 1 | |
| 3 | 688-42816-00-00 | LEVER, CLAMP | 1 | |
| 4 | 90386-13M38-00 | BUSH | 6 | |
| 5 | 90206-13M10-00 | WASHER, WAVE | 3 | |
| 6 | 97395-06012-00 | BOLT | 3 | |
| 7 | 90201-06M02-00 | WASHER, PLATE | 3 | |
| 8 | 6E5-42817-00-EK | LEVER, CLAMP 3 | 2 | |
| 9 | 6G5-42816-00-00 | LEVER, CLAMP | 1 | |
| 10 | 6E5-42816-01-00 | LEVER, CLAMP | 1 | |
| 11 | 6E5-44391-00-00 | NIPPLE, HOSE | 1 | |
| 12 | 6E5-42725-11-00 | GROMMET | 1 | |
| 13 | 6E5-42738-00-5B | PLATE, FITTING | 1 | |
| 14 | 97313-06016-00 | BOLT, HEXAGON | 2 | |
| 15 | 92990-06600-00 | WASHER, PLATE | 2 | |
| 16 | 90480-22M15-00 | GROMMET | 4 | |
| 17 | 90387-08M37-00 | COLLAR | 4 | |
| 18 | 90201-08M54-00 | WASHER, PLATE | 4 | |
| 19 | 97090-08035-00 | BOLT | 4 | |
| 20 | 6E5-42741-00-EK | APRON | 1 | |
| 21 | 6E5-42771-00-EK | APRON | 1 | |
| 22 | 6E5-42716-00-00 | RUBBER, SEAL 1 | 1 | |
| 23 | 97395-06020-00 | BOLT, HEXAGON | 6 | |
| 24 | 92990-06600-00 | WASHER, PLATE | 6 | |
| 25 | 688-82594-00-00 | CLAMP | 1 | |
| 26 | 6E5-82594-00-00 | CLAMP | 2 | |
| 27 | 6E5-82588-00-00 | PLATE | 2 | |
| 28 | 97313-06020-00 | BOLT, HEXAGON | 2 | |
| 29 | 92990-06600-00 | WASHER, PLATE | 2 | |
| 30 | 6E5-24367-01-00 | CLAMP, FUEL PIPE 2 | 1 | |
| 31 | 90157-06M01-00 | SCREW, PAN HEAD | 2 | |
| 32 | 92990-06600-00 | WASHER, PLATE | 2 | |
| 33 | (90480-21M33-00) | GROMMET | 2 | |
| 34 | 6E5-24367-10-00 | CLAMP, FUEL PIPE 2 | 1 | |

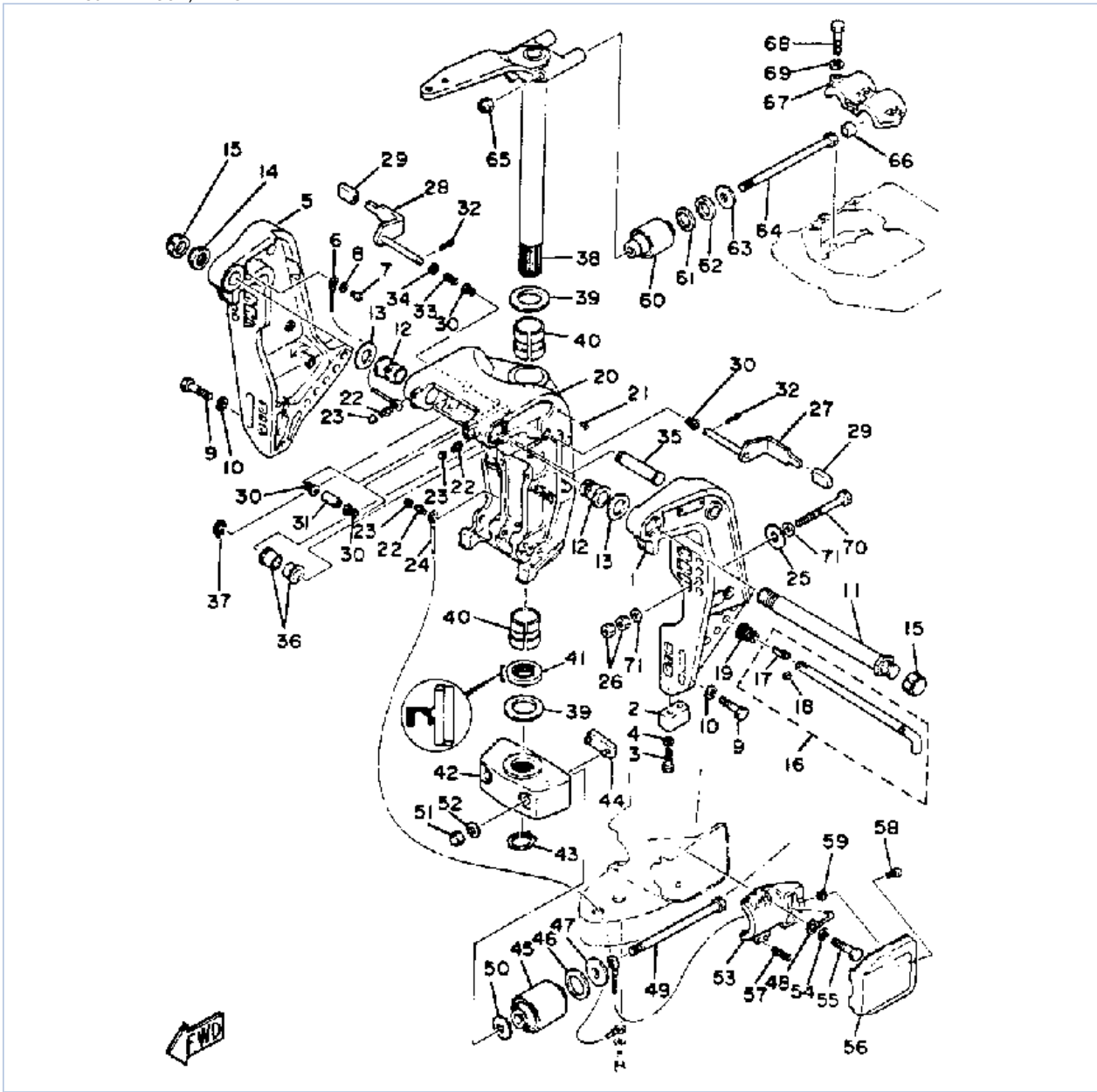
Part Notes

150ETXN 1984 / BOTTOM COWLING

| PART NUMBER | | NOTE TEXT |
|----------------|---|---|
| 92990-06600-00 |  | OEM: This part number is among the Top 100 Most Popular Marine Maintenance Parts as of August 2013. |
| 92990-06600-00 |  | OEM: This part number is among the Top 100 Most Popular Marine Maintenance Parts as of August 2013. |
| 92990-06600-00 |  | OEM: This part number is among the Top 100 Most Popular Marine Maintenance Parts as of August 2013. |
| 92990-06600-00 |  | OEM: This part number is among the Top 100 Most Popular Marine Maintenance Parts as of August 2013. |

©2013 Yamaha Motor Corporation, U.S.A. All rights reserved.

150ETXN 1984 / BRACKET



©2013 Yamaha Motor Corporation, U.S.A. All rights reserved.

Part List





150ETXN 1984 / BRACKET

| REF - NO | PART NUMBER | PART NAME | QUANTITY | REMARKS |
|----------------|-----------------|---|----------|-----------------------------|
| 1 | 6E5-43111-01-EK | BRACKET, CLAMP | 1 | |
| 2 | 6E5-45251-00-00 | ANODE | 1 | |
| 3 | 97395-06025-00 | BOLT | 2 | |
| 4 | 92990-06600-00 | WASHER, PLATE | 2 | |
| 5 | 6E5-43112-01-EK | BRACKET, CLAMP | 1 | |
| 6 | 6E5-82148-00-00 | WIRE, LEAD 4 | 1 | |
| 7 | 97890-06012-00 | SCREW, PAN HEAD | 1 | |
| 8 | 92990-06600-00 | WASHER, PLATE | 1 | |
| 9 | 97395-10045-00 | BOLT | 6 | |
| 10 | 92990-10100-00 | WASHER, SPRING | 6 | |
| 11 | 6E5-43131-01-00 | BOLT, CLAMP BRACKET | 1 | |
| 12 | 90386-25M31-00 | BUSH | 2 | |
| 13 | 90201-26M59-00 | WASHER, PLATE | 2 | |
| 14 | 90185-22043-00 | NUT, SELF-LOCKING | 1 | |
| 15 | 6G5-43145-00-00 | CAP, CLAMP BRACKET | 2 | |
| 16 | 6E5-43160-10-00 | TILT ROD ASSEMBLY | 1 | |
| 17 | 688-43165-00-00 | .PLATE, TILT LOCK | 1 | |
| 18 | 91690-30014-00 | .PIN, SPRING | 1 | |
| 19 | 90502-20M03-00 | SPRING, CONICAL | 1 | |
| 20 | 6E5-43311-02-EK | BRACKET, SWIVEL | 1 | U.R. LONG |
| 20 | 6E5-43311-21-EK | BRACKET, SWIVEL | 1 | U.R. ULTRA LONG |
| 21 | 90269-03010-00 | RIVET | 1 | |
| 22 | 93700-06M03-00 | NIPPLE, GREASE | 3 | |
| 23 | 663-45119-00-00 | CAP, GREASE NIPPLE | 3 | |
| 24 | 6E5-82147-00-00 | WIRE, LEAD 5 | 1 | U.R. LONG |
| 24 | 6E5-82147-20-00 | WIRE, LEAD 5 | 1 | U.R. ULTRA LONG |
| 25 | 90201-12426-00 | WASHER, PLATE | 4 | |
| 26 | 95380-12600-00 | NUT | 8 | |
| 27 | 6E5-43181-01-00 | LEVER, TILT STOP (6E5-43181-00-00) | 1 | |
| 28 | 6E5-43185-01-00 | LEVER, TILT STOP (6E5-43185-00-00) | 1 | |
| 29 | 663-43318-00-00 | COVER | 2 | |
| 30 | 90386-10M16-00 | BUSH | 4 | |
| 31 | 90387-10M38-00 | COLLAR | 1 | |
| 32 | 91490-30030-00 | PIN, COTTER | 2 | |
| 33 | 90501-10M21-00 | SPRING, COMPRESSION | 1 | |
| 34 | 92990-10600-00 | WASHER, PLATE | 1 | |
| 35 | 6E5-43126-02-00 | PIN, UPPER SHOCK MOUNT | 1 | |
| 36 | 90386-18M44-00 | BUSH | 2 | |
| 37 | 93410-18M02-00 | CIRCLIP | 1 | |
| 38 | 6E5-42510-01-EK | STEERING BRACKET ASSY (6E5-42510-00-EK) | 1 | U.R. LONG |
| 38 | 6E5-42510-21-EK | STEERING BRACKET ASSY (6E5-42510-20-EK) | 1 | U.R. ULTRA LONG (NOT SHOWN) |
| 39 | 90201-38M60-00 | WASHER, PLATE | 2 | |
| 40 | 90386-38M32-00 | BUSH | 2 | |
| 41 | 93109-38M02-00 | OIL SEAL | 1 | |
| 42 | 99999-01871-00 | HOUSING, LOWER MOUNT (6E5-44551-00-EK) | 1 | |
| 42 | 6G5-44551-00-EK | .HOUSING, LOWER MOUNT | 1 | |
| 42 | 90109-14M34-00 | .BOLT | 2 | |
| 43 | 93410-37M04-00 | CIRCLIP | 1 | |
| 44 | 6E5-44575-00-00 | DAMPER, LOWER MOUNT RUBBER | 1 | |

| | | | | |
|----|-----------------|-----------------------------|---|--|
| 45 | 6G5-44555-00-94 | MOUNT DAMPER, LOWER SIDE | 2 | |
| 46 | 90202-32M19-00 | WASHER, PLATE | 2 | |
| 47 | 90201-16M55-00 | WASHER, PLATE | 2 | |
| 48 | 6E5-82149-00-00 | WIRE, LEAD 3 | 1 | |
| 49 | 90109-14M10-00 | BOLT | 2 | |
| 50 | 90201-15M58-00 | WASHER, PLATE | 2 | |
| 51 | 95380-14800-00 | NUT | 2 | |
| 52 | 92990-14600-00 | WASHER | 2 | |
| 53 | 6E5-44552-00-94 | HOUSING, LOWER MOUNT RUBBER | 2 | |
| 54 | 92990-10100-00 | WASHER, SPRING | 4 | |
| 55 | 97395-10045-00 | BOLT | 4 | |
| 56 | 6E5-44553-00-EK | COVER, LOWER MOUNT | 2 | |
| 57 | 90501-16M28-00 | SPRING, COMPRESSION | 4 | |
| 58 | 98580-06016-00 | SCREW, PAN HEAD | 2 | |
| 59 | 90179-06066-00 | NUT | 2 | |
| 60 | 6G5-44514-00-94 | MOUNT DAMPER, UPPER SIDE | 2 | |
| 61 | 90201-26M57-00 | WASHER, PLATE | 2 | |
| 62 | 90202-26M18-00 | WASHER, PLATE | 2 | |
| 63 | 90201-14M56-00 | WASHER, PLATE | 2 | |
| 64 | 90109-12M37-00 | BOLT | 2 | |
| 65 | 90185-12058-00 | NUT, SELF-LOCKING | 2 | |
| 66 | 663-44575-00-00 | DAMPER, LOWER MOUNT RUBBER | 2 | |
| 67 | 6E5-44511-00-5B | COVER, UPPER MOUNT | 1 | |
| 68 | 97395-10045-00 | BOLT | 3 | |
| 69 | 92990-10100-00 | WASHER, SPRING | 3 | |
| 70 | 90101-12M65-00 | BOLT | 4 | |
| 71 | 92990-12200-00 | WASHER, PLAIN | 8 | |

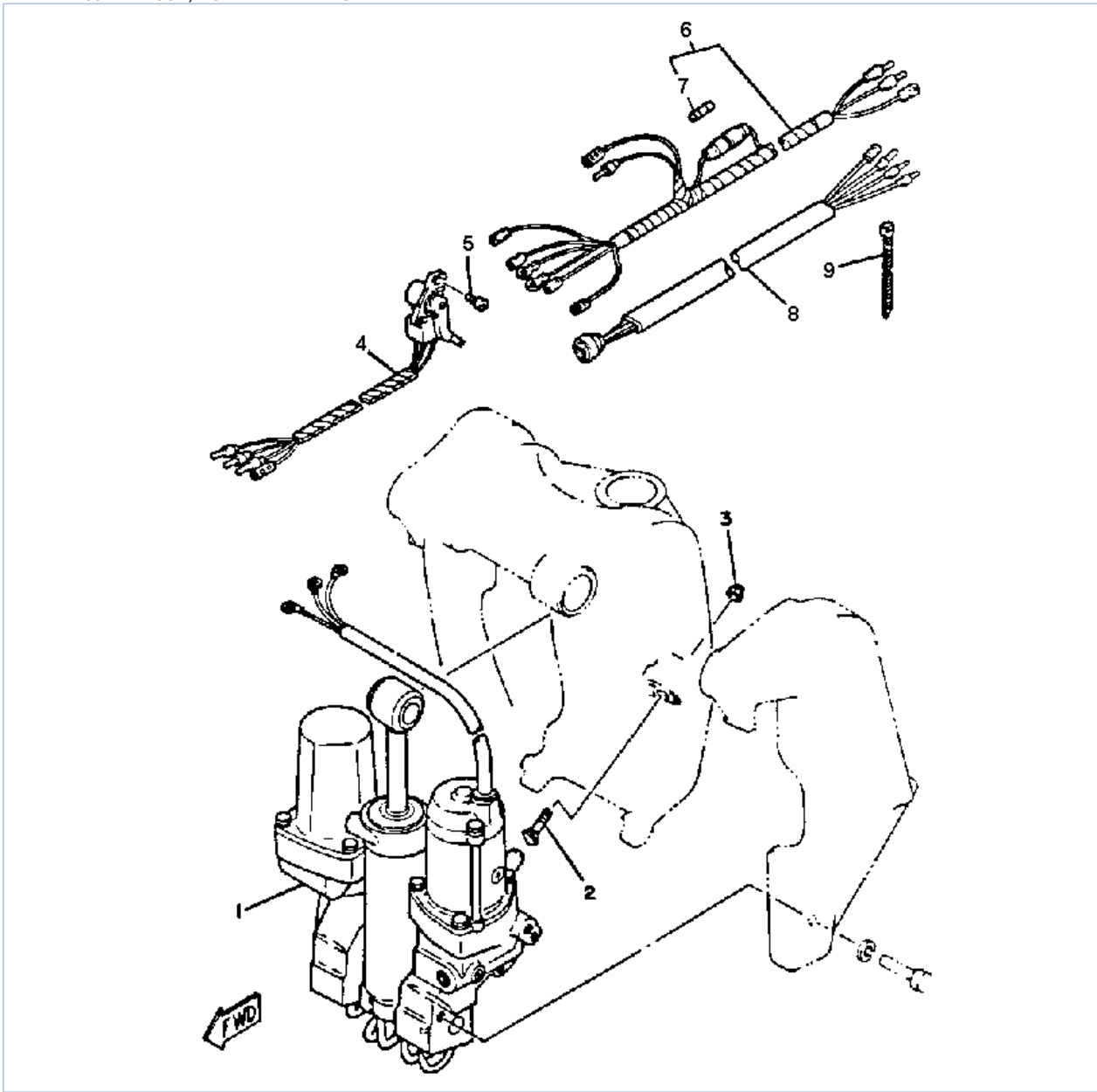
Part Notes

150ETXN 1984 / BRACKET

| PART NUMBER | | NOTE TEXT |
|----------------|---|---|
| 92990-06600-00 |  | OEM: This part number is among the Top 100 Most Popular Marine Maintenance Parts as of August 2013. |
| 92990-06600-00 |  | OEM: This part number is among the Top 100 Most Popular Marine Maintenance Parts as of August 2013. |
| 93700-06M03-00 |  | OEM: This part number is among the Top 100 Most Popular Marine Maintenance Parts as of August 2013. |
| 92990-10600-00 |  | OEM: This part number is among the Top 100 Most Popular Marine Maintenance Parts as of August 2013. |

©2013 Yamaha Motor Corporation, U.S.A. All rights reserved.

150ETXN 1984 / POWER TRIM TILT SENDER



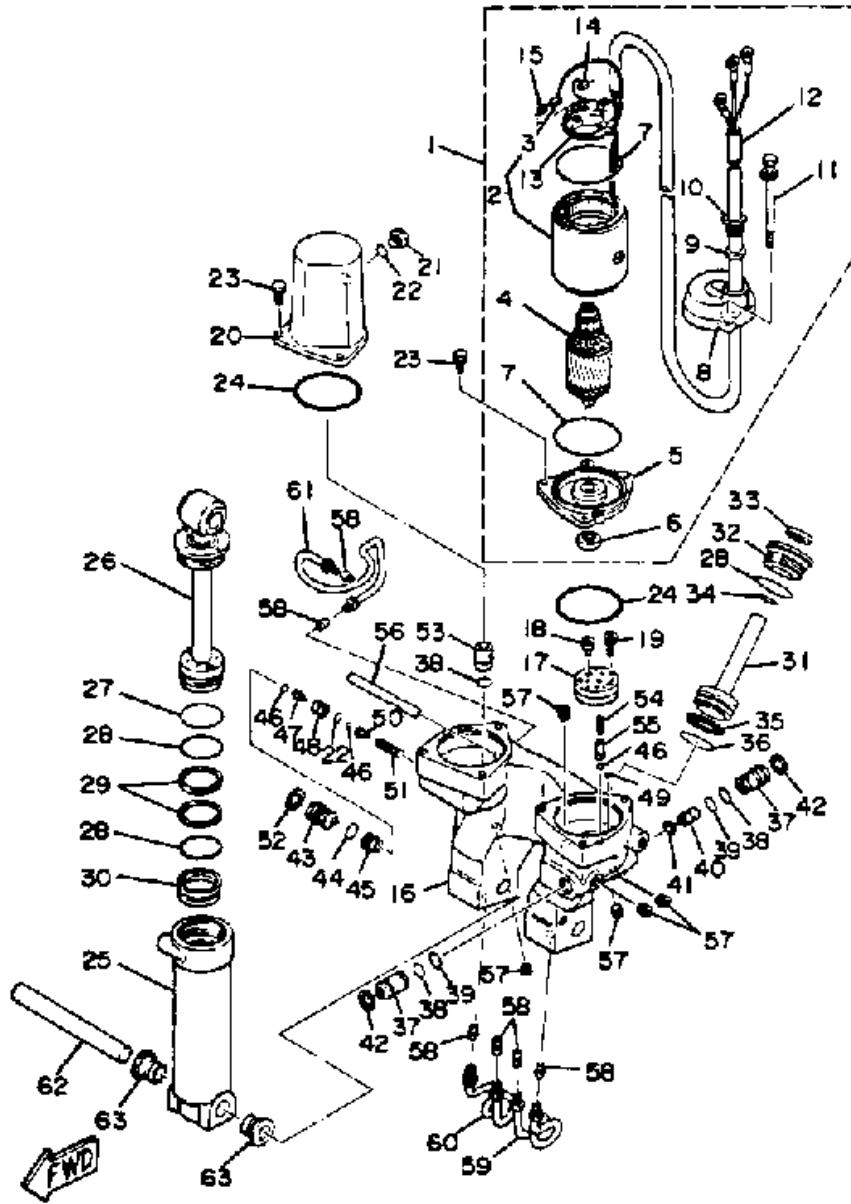
©2013 Yamaha Motor Corporation, U.S.A. All rights reserved.

Part List

150ETXN 1984 / POWER TRIM TILT SENDER

| REF - NO | PART NUMBER | PART NAME | QUANTITY | REMARKS |
|----------------|-----------------|------------------------|----------|---------|
| 1 | 6E5-43800-06-EK | POWER TRIM & TILT ASSY | 1 | |
| 2 | 6E5-43376-01-00 | BOLT, THRUST RECEIVER | 2 | |
| 3 | 95780-08300-00 | .NUT, FLANGE | 2 | |
| 4 | 6E5-83672-01-00 | TRIM SENDER | 1 | |
| 5 | 98580-06016-00 | SCREW, PAN HEAD | 2 | |
| 6 | 688-83553-10-00 | WIRE, LEAD | 1 | |
| 7 | 1E6-82151-00-00 | .FUSE (10A) | 1 | |
| 8 | 6E5-82553-00-00 | EXTENSION, WIRE | 1 | |
| 9 | 90465-11M10-00 | CLAMP | 5 | |

150ETXN 1984 / POWER TRIM TILT ASSY



©2013 Yamaha Motor Corporation, U.S.A. All rights reserved.

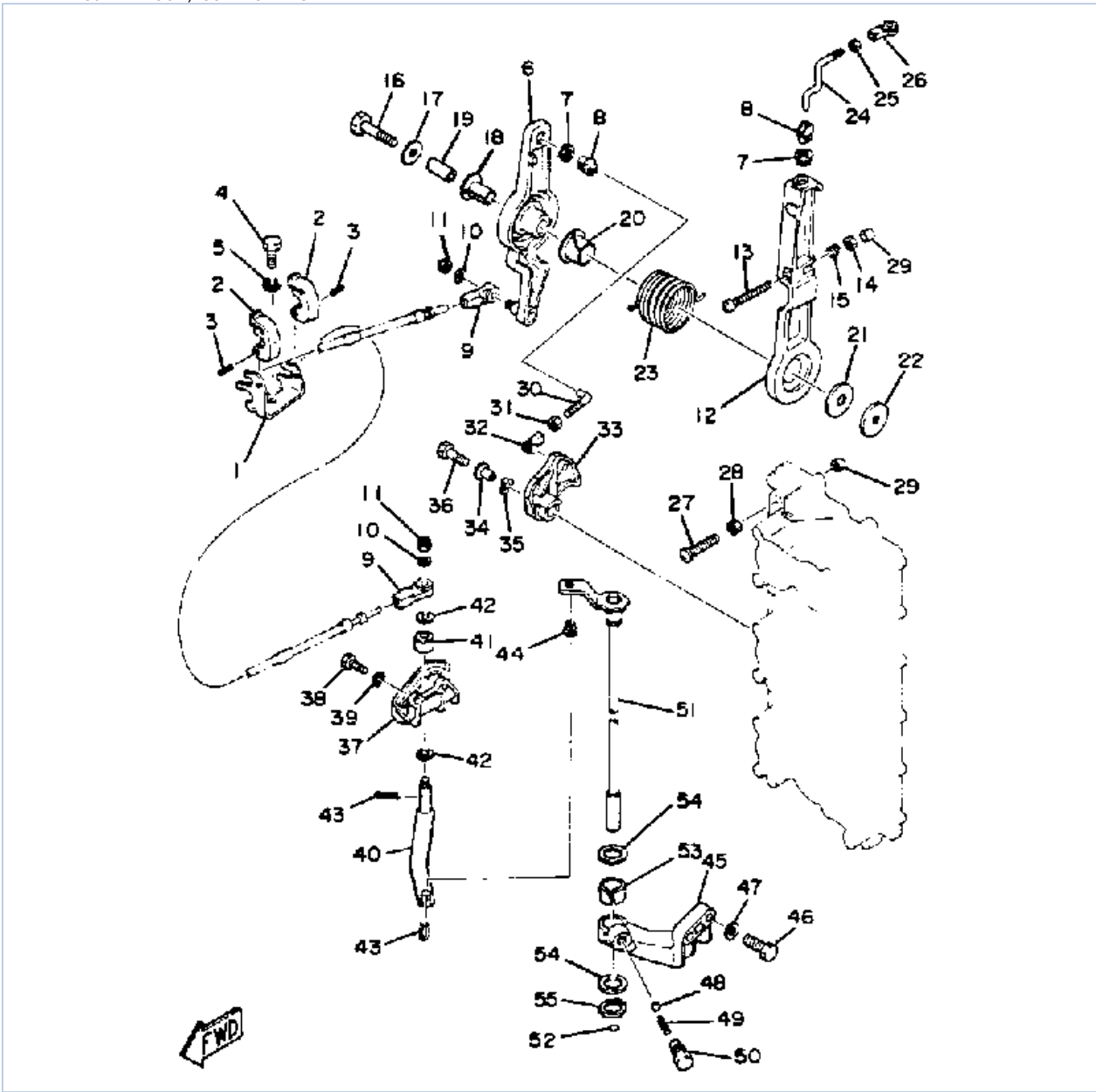
Part List

150ETXN 1984 / POWER TRIM TILT ASSY

| REF - NO | PART NUMBER | PART NAME | QUANTITY | REMARKS |
|----------------|-----------------|--------------------------------|----------|---------|
| 1 | 688-43880-10-00 | .MOTOR ASSEMBLY | 1 | |
| 2 | 688-43804-01-00 | ..STATOR ASSEMBLY | 1 | |
| 3 | 688-43891-00-00 | ..BRUSH 1 (+) | 1 | |
| 4 | [68-84380-50-10 | ..UNAVAILABLE IN PRICE BOOK | 1 | |
| 5 | 688-43881-01-00 | ..FRAME, END | 1 | |
| 6 | 688-43882-00-00 | ..OIL SEAL | 1 | |
| 7 | 688-43883-00-00 | ..O-RING | 2 | |
| 8 | 688-43884-02-00 | ..FRAME, COMMUTATOR | 1 | |
| 9 | 688-43885-01-00 | ..GROMMET | 1 | |
| 10 | 688-43886-02-00 | ..BOLT | 1 | |
| 11 | 688-43887-01-00 | ..BOLT | 2 | |
| 12 | 688-43807-10-00 | ..WIRE SUB ASSEMBLY | 1 | |
| 13 | 688-43806-01-00 | ..BRUSH HOLDER ASSEMBLY | 1 | |
| 14 | 688-43891-00-00 | ..BRUSH 1 (+) | 1 | |
| 15 | 90501-05M46-00 | ..SPRING, COMPRESSION | 1 | |
| 16 | 6E5-43825-00-00 | .HOUSING, TRIM&TILT | 1 | |
| 17 | 688-43830-00-00 | .GEAR PUMP ASSEMBLY | 1 | |
| 18 | 688-43831-00-00 | .CONNECTOR, SHAFT | 1 | |
| 19 | 688-43878-00-00 | .BOLT, SOCKET | 3 | |
| 20 | 6E5-43800-06-EK | POWER TRIM & TILT ASSY | 1 | |
| 20 | 688-43828-00-00 | .BODY, RESERVOIR | 1 | |
| 21 | 688-43829-01-00 | .PLUG, RESERVOR | 1 | |
| 22 | 688-43869-00-00 | .O-RING | 2 | |
| 23 | 688-43879-00-00 | .SCREW, W/WASHER | 6 | |
| 24 | 688-43867-00-00 | .O-RING | 2 | |
| 25 | 6E5-43813-00-00 | .CYLINDER, TILT | 1 | |
| 26 | 6E5-43810-01-00 | .PISTON SUB ASSEMBLY (TILT) | 1 | |
| 27 | 688-43863-00-00 | .O-RING | 1 | |
| 28 | 688-43862-00-00 | .O-RING | 4 | |
| 29 | 688-43872-00-00 | .RING, BACK UP | 2 | |
| 30 | 6E5-43814-00-00 | .PISTON, FREE | 1 | |
| 31 | 6E5-43820-01-00 | .PISTON SUB ASSEMBLY | 2 | |
| 32 | 6E5-43821-00-00 | .SCREW, TRIM CYLINDEREND | 2 | |
| 33 | 6E5-43822-00-00 | .SEAL, TRIM DUST | 2 | |
| 34 | 93210-16275-00 | .O-RING | 2 | |
| 35 | 6E5-43874-00-00 | .RING, BACK-UP | 2 | |
| 36 | 93210-33M41-00 | .O-RING | 2 | |
| 37 | 688-43802-00-00 | .VALVE SUB ASSEMBLY (MN) | 2 | |
| 38 | 688-43864-00-00 | .O-RING | 3 | |
| 39 | 688-43865-00-00 | .O-RING | 2 | |
| 40 | 688-43841-00-00 | .PISTON, SHUTTLE | 1 | |
| 41 | 688-43873-00-00 | .RING, BACK UP | 1 | |
| 42 | 688-43876-00-00 | .RING, SNAP | 2 | |
| 43 | 688-43845-00-00 | .SCREW, MANUAL REL | 1 | |
| 44 | 688-43866-00-00 | .O-RING | 1 | |
| 45 | 688-43846-00-00 | .SCREW, MANUAL VALVE | 1 | |
| 46 | 688-43858-00-00 | .BALL 1 | 3 | |
| 47 | 688-43848-00-00 | .ROD, MANUAL RELEASE | 1 | |
| 48 | 688-43847-00-00 | .SEAT, MANUAL VALVE | 1 | |
| 49 | 688-43868-00-00 | .O-RING | 1 | |
| 50 | 6E5-43849-00-00 | .PIN, VALVE SUPPORT | 1 | |
| 51 | 6E5-43854-00-00 | .SRG, MANUAL RELEASE | 1 | |

| | | | | |
|----|-----------------|---------------------------------------|---|--|
| 52 | 688-43875-00-00 | .RING, SNAP | 1 | |
| 53 | 6E5-43850-00-00 | .VALVE SUB-ASSEMBLY (UPPER RELIEF) | 1 | |
| 54 | 688-43856-00-00 | .SPRING, DOWN RELIEF | 1 | |
| 55 | 688-43844-01-00 | .PIN, VALVE SUPPORT | 1 | |
| 56 | [68-84383-80-00 | .PIPE, INTAKE | 1 | |
| 57 | 688-43882-60-00 | .UNAVAILABLE IN PRICE BOOK | 5 | |
| 58 | 688-43832-00-00 | .SEAT, UNION | 6 | |
| 59 | 6E5-43833-00-00 | .PIPE | 1 | |
| 60 | 6E5-43834-00-00 | .PIPE | 1 | |
| 61 | 688-43835-09-00 | .PIPE | 1 | |
| 62 | 6E5-43818-00-00 | .PIN, LOWER SHOCK MOUNT | 1 | |
| 63 | 90386-18M14-00 | .BUSH | 2 | |

150ETXN 1984 / CONTROL ENGINE



©2013 Yamaha Motor Corporation, U.S.A. All rights reserved.

Part List

150ETXN 1984 / CONTROL ENGINE

| REF - NO | PART NUMBER | PART NAME | QUANTITY | REMARKS |
|----------------|-----------------|---|----------|-----------|
| 1 | 6E5-48531-00-00 | BRACKET, REMOTE CONTROL 1 | 1 | |
| 2 | 6E5-48538-00-00 | CLAMP, CABLE | 2 | |
| 3 | 91690-30012-00 | PIN, SPRING | 2 | |
| 4 | 97313-08020-00 | BOLT, HEXAGON | 1 | |
| 5 | 92990-08100-00 | WASHER, SPRING | 1 | |
| 6 | 61H-41632-00-94 | LEVER, MAGNETO CONTROL (6G5-41632-01-94) | 1 | |
| 7 | 6E5-41655-00-00 | BUSHING | 2 | |
| 8 | 6E5-41214-00-00 | JOINT 1 | 2 | |
| 9 | 6E5-48344-00-00 | CABLE END, REMOTE CONTROL | 2 | |
| 10 | 92990-06200-00 | ..WASHER, PLAIN | 2 | |
| 11 | 90185-06062-00 | NUT, SELF-LOCKING | 2 | |
| 12 | 6G5-41631-01-94 | LEVER, MAGNETO CONTROL | 1 | |
| 13 | 90157-06M11-00 | SCREW, PAN HEAD | 1 | |
| 14 | 95380-06600-00 | NUT, HEXAGON | 1 | |
| 15 | 90501-16M12-00 | SPRING, COMPRESSION | 1 | |
| 16 | 97313-08045-00 | BOLT, HEXAGON | 1 | |
| 17 | 90201-08M54-00 | WASHER, PLATE | 1 | |
| 18 | 90386-12089-00 | BUSH | 1 | |
| 19 | 90387-08M16-00 | COLLAR | 1 | |
| 20 | 90386-22M13-00 | BUSH | 1 | |
| 21 | 90202-12092-00 | WASHER, PLATE | 1 | |
| 22 | 90201-08M13-00 | WASHER, PLATE | 1 | |
| 23 | 90508-29M12-00 | SPRING, TORSION | 1 | |
| 24 | 6G5-41636-01-00 | ROD, MAGNETO CONTROL | 1 | |
| 25 | 95380-05600-00 | NUT | 1 | |
| 26 | 6H1-41237-00-00 | JOINT, LINK | 1 | |
| 27 | 90157-06M13-00 | SCREW, PAN HEAD | 1 | |
| 28 | 95380-06600-00 | NUT, HEXAGON | 1 | |
| 29 | 688-44194-00-00 | CAP | 2 | |
| 30 | 6G5-41211-00-00 | LINK, ACCEL. | 1 | |
| 31 | 95380-05600-00 | NUT | 1 | |
| 32 | 6H1-41237-00-00 | JOINT, LINK | 1 | |
| 33 | 6G5-41213-00-00 | CAM, ACCEL. | 1 | |
| 34 | 90387-06M29-00 | COLLAR | 1 | |
| 35 | 90206-10M04-00 | WASHER, WAVE | 1 | |
| 36 | 97313-06025-00 | BOLT | 1 | |
| 37 | 6E5-44117-00-94 | BRACKET | 1 | |
| 38 | 97313-06020-00 | BOLT, HEXAGON | 2 | |
| 39 | 92990-06600-00 | WASHER, PLATE | 2 | |
| 40 | 6E5-44121-00-00 | LEVER, SHIFT ROD | 1 | |
| 41 | 6E5-44122-00-00 | BUSHING, SHIFT ROD LEVER | 1 | |
| 42 | 90202-08M20-00 | WASHER, PLATE | 2 | |
| 43 | 90468-18008-00 | CLIP | 2 | |
| 44 | 90386-06M12-00 | BUSH | 1 | |
| 45 | 6E5-44118-01-94 | BRACKET | 1 | |
| 46 | 97313-08030-00 | BOLT | 2 | |
| 47 | 92990-08600-00 | .WASHER, PLATE | 2 | |
| 48 | 93501-04M02-00 | BALL | 1 | |
| 49 | 90501-12082-00 | SPRING, COMPRESSION | 1 | |
| 50 | 648-42715-00-00 | BUSHING | 1 | |
| 51 | 6E5-44120-02-00 | HANDEL, GEAR SHIFT ASSEMBLY | 1 | U.R. LONG |

| | | | | |
|----|-----------------|-----------------------------|---|-----------------------------|
| 51 | 6E5-44120-22-00 | HANDEL, GEAR SHIFT ASSEMBLY | 1 | U.R. ULTRA LONG (NOT SHOWN) |
| 52 | 93210-09350-00 | O-RING | 1 | |
| 53 | 90386-16M66-00 | BUSH | 1 | |
| 54 | 90202-16061-00 | WASHER, PLATE | 2 | |
| 55 | 99009-16400-00 | CIRCLIP | 1 | |

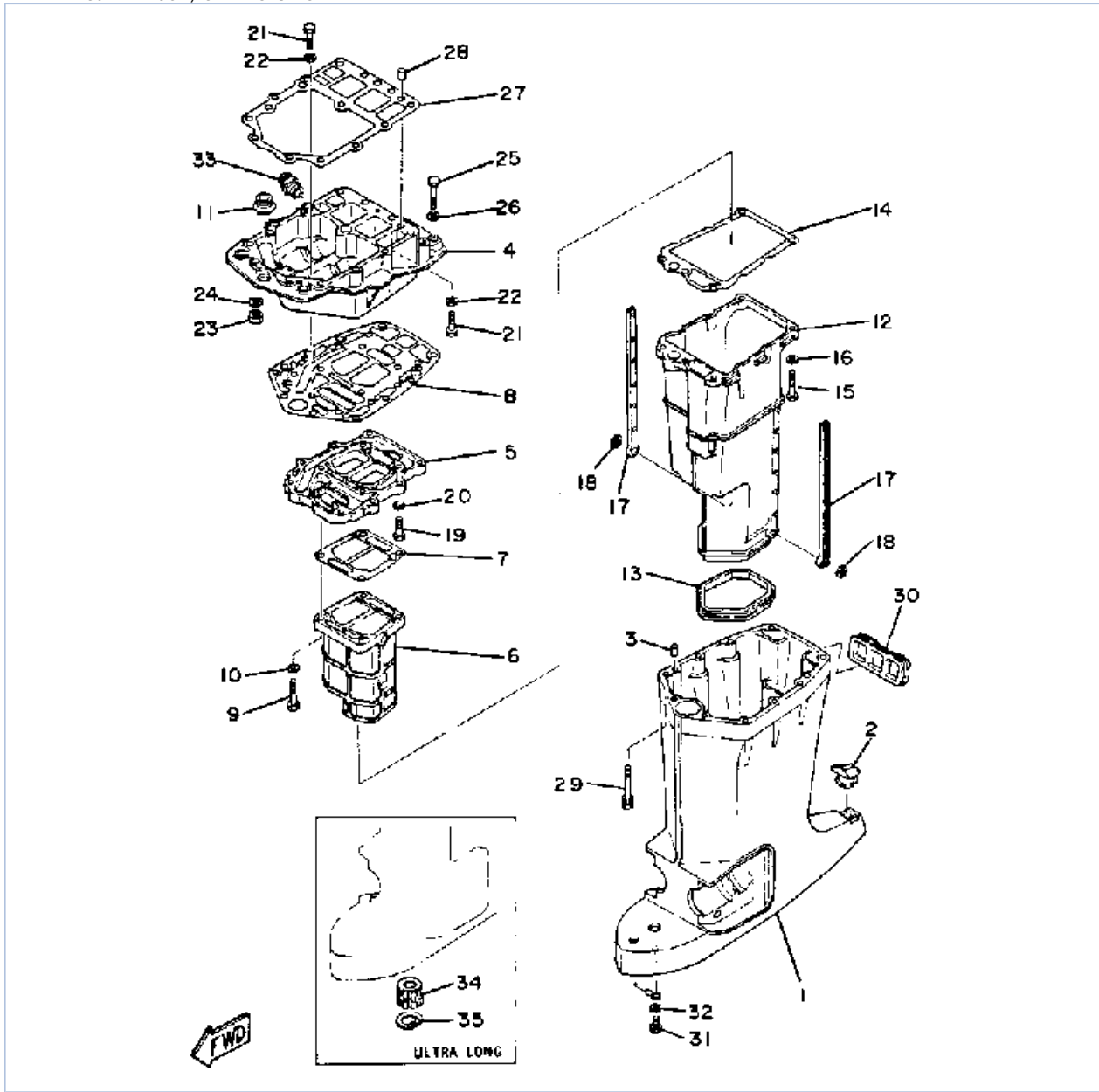
Part Notes

150ETXN 1984 / CONTROL ENGINE

| PART NUMBER | | NOTE TEXT |
|-----------------|---|---|
| 6H1-41237-00-00 |  | OEM: This part number is among the Top 100 Most Popular Marine Maintenance Parts as of August 2013. |
| 6H1-41237-00-00 |  | OEM: This part number is among the Top 100 Most Popular Marine Maintenance Parts as of August 2013. |
| 92990-06600-00 |  | OEM: This part number is among the Top 100 Most Popular Marine Maintenance Parts as of August 2013. |

©2013 Yamaha Motor Corporation, U.S.A. All rights reserved.

150ETXN 1984 / UPPER CASING



©2013 Yamaha Motor Corporation, U.S.A. All rights reserved.


Part List

150ETXN 1984 / UPPER CASING

| REF - NO | PART NUMBER | PART NAME | QUANTITY | REMARKS |
|----------|-----------------|--|----------|-----------------------------|
| 1 | 6E5-45111-00-EK | CASING, UPPER | 1 | U.R. LONG |
| 1 | 6E5-45111-20-EK | CASING, UPPER | 1 | U.R. ULTRA LONG (NOT SHOWN) |
| 2 | 6E5-45155-00-00 | CAP | 1 | |
| 3 | 93608-12M05-00 | PIN, DOWEL | 2 | |
| 4 | 6G5-41137-00-94 | GUIDE, EXHAUST | 1 | |
| 5 | 6G5-41131-00-5B | MANIFOLD, EXHAUST 1 (6G5-41131-00-9M) | 1 | |
| 6 | 6G5-41132-00-5B | MANIFOLD, EXHAUST (6G5- 41132-00-9M) | 1 | |
| 7 | 6G5-41134-00-00 | GASKET, EXHAUST MANIFOLD | 1 | |
| 8 | 6G5-45114-00-00 | GASKET, UPPER CASING | 1 | |
| 9 | 97395-08045-00 | BOLT | 4 | |
| 10 | 92990-08600-00 | .WASHER, PLATE | 4 | |
| 11 | 6E5-42724-00-00 | GROMMET | 1 | |
| 12 | 6E5-14711-00-5B | MUFFLER 1 (6E5-14711-00- 9M) | 1 | |
| 13 | 6E5-45123-00-00 | .GASKET, MUFFLER | 1 | |
| 14 | 6E5-41135-00-00 | GASKET, EXHAUST MANIFOLD | 1 | |
| 15 | 97395-08045-00 | BOLT | 5 | |
| 16 | 92990-08600-00 | .WASHER, PLATE | 5 | |
| 17 | 6E5-14737-00-00 | DAMPER, MUFFLER | 2 | |
| 18 | 90183-05M02-00 | NUT, SPRING | 2 | |
| 19 | 97395-08030-00 | BOLT | 4 | |
| 20 | 92990-08600-00 | .WASHER, PLATE | 4 | |
| 21 | 97395-08030-00 | BOLT | 6 | |
| 22 | 92990-08100-00 | WASHER, SPRING | 6 | |
| 23 | 95380-08700-00 | NUT | 2 | |
| 24 | 92990-08100-00 | WASHER, SPRING | 2 | |
| 25 | 97395-08045-00 | BOLT | 2 | |
| 26 | 92990-08100-00 | WASHER, SPRING | 2 | |
| 27 | 6G5-45113-A0-00 | GASKET, UPPER CASING | 1 | |
| 28 | 93608-12M05-00 | PIN, DOWEL | 2 | |
| 29 | 90119-08M78-00 | BOLT, WITH WASHER | 6 | |
| 30 | 6E5-42769-00-00 | SEAL, RUBBER | 1 | |
| 31 | 97395-06010-00 | BOLT | 1 | |
| 32 | 92990-06600-00 | WASHER, PLATE | 1 | |
| 33 | 6G5-12581-00-00 | JOINT, HOSE 1 | 1 | |
| 34 | 6E5-45318-00-00 | BUSHING, DRIVE SHAFT | 1 | U.R. ULTRA LONG |
| 35 | 93420-36M01-00 | CIRCLIP | 1 | U.R. ULTRA LONG |

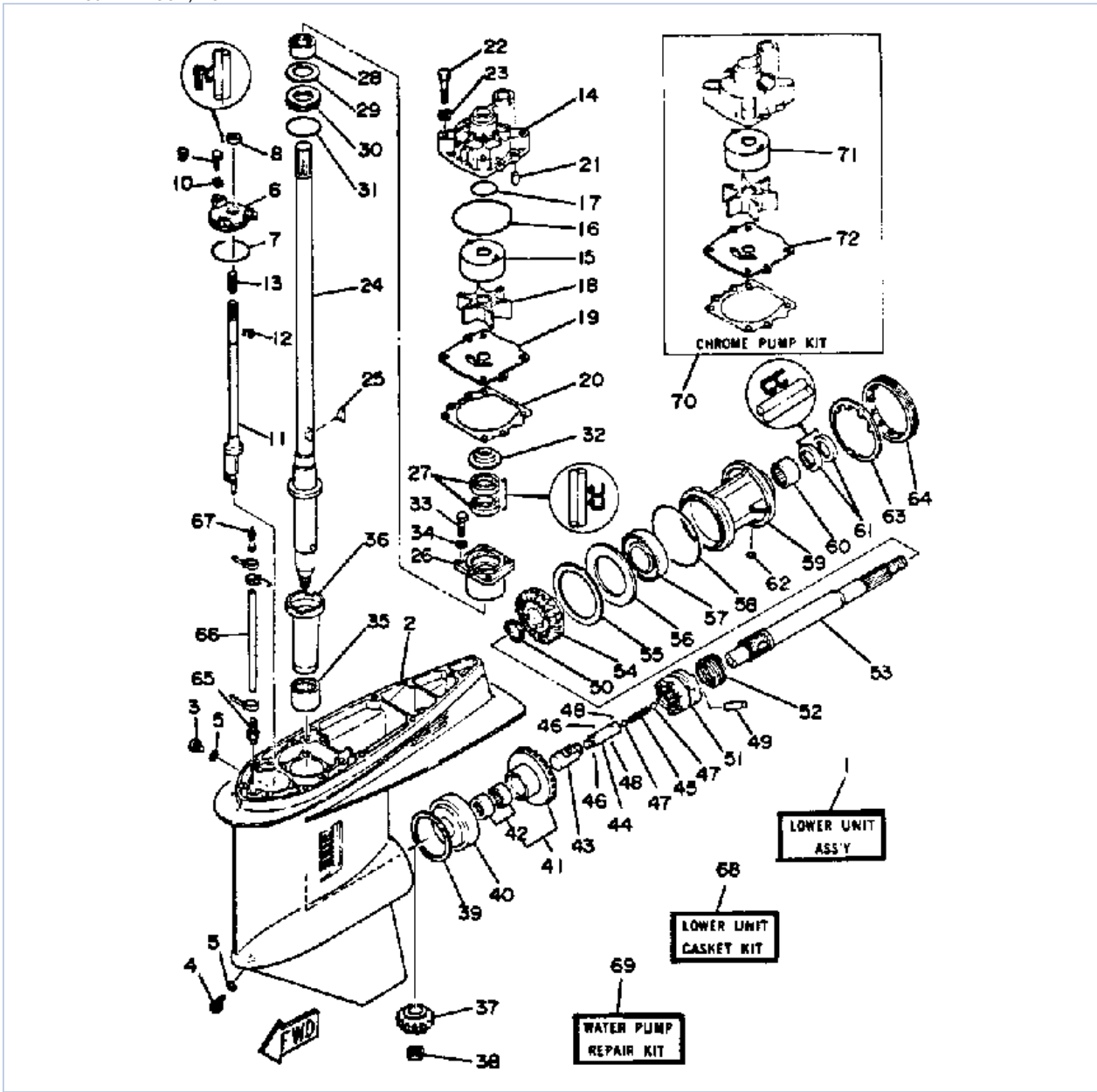
Part Notes

150ETXN 1984 / UPPER CASING

| PART NUMBER | NOTE TEXT |
|--|---|
| 92990-06600-00  | OEM: This part number is among the Top 100 Most Popular Marine Maintenance Parts as of August 2013. |

©2013 Yamaha Motor Corporation, U.S.A. All rights reserved.

150ETXN 1984 / LOWER DRIVE 1



©2013 Yamaha Motor Corporation, U.S.A. All rights reserved.

Part List







150ETXN 1984 / LOWER DRIVE 1

| REF - NO | PART NUMBER | PART NAME | QUANTITY | REMARKS |
|----------|-----------------|---------------------------------------|----------|-----------------------------|
| 1 | 6G5-45300-10-KT | LOWER UNIT KIT (6G5-45300-10-EK) | 1 | U.R. LONG |
| 1 | 6G5-45300-20-EK | LOWER UNIT ASSEMBLY (6G5-45300-20-EK) | 1 | U.R. ULTRA LONG (NOT SHOWN) |
| 2 | 6G5-45301-00-EK | LOWER CASING | 1 | |
| 3 | 90340-08M04-00 | PLUG, STRAIGHT SCREW | 1 | |
| 4 | 688-45341-00-00 | PLUG, DRAIN | 1 | |
| 5 | 90430-08020-00 | .GASKET | 2 | |
| 6 | 6E5-45321-00-00 | PLATE | 1 | |
| 7 | 93210-58677-00 | O-RING | 1 | |
| 8 | 93106-09014-00 | .OIL SEAL | 1 | |
| 9 | 97395-06020-00 | BOLT, HEXAGON | 3 | |
| 10 | 90209-06M04-00 | WASHER | 3 | |
| 11 | 6G5-44150-01-00 | SHIFT CAM ASSY | 1 | |
| 12 | 99001-08600-00 | CIRCLIP | 1 | |
| 13 | 90501-11M10-00 | SPRING, COMPRESSION | 1 | |
| 14 | 6E5-44311-00-00 | HOUSING, WATER PUMP | 1 | |
| 15 | 6E5-44322-00-00 | INSERT, CARTRIDGE | 1 | |
| 16 | 93210-86M38-00 | .O-RING | 1 | |
| 17 | 93210-37M67-00 | O-RING | 1 | |
| 18 | 6E5-44352-00-00 | IMPELLER | 1 | |
| 19 | 6G5-44323-00-00 | .OUTER PLATE, CARTRIDGE | 1 | |
| 20 | 6E5-44315-00-00 | GASKET, WATER PUMP | 1 | |
| 21 | 93606-12019-00 | .PIN, DOWEL | 1 | |
| 22 | 97395-08045-00 | BOLT | 4 | |
| 23 | 90209-08M02-00 | WASHER | 4 | |
| 24 | 6G5-45501-01-00 | DRIVE SHAFT COMP. | 1 | U.R. LONG |
| 24 | 6G5-45501-21-00 | DRIVE SHAFT COMP. | 1 | U.R. ULTRA LONG |
| 25 | 90280-04M05-00 | .KEY, WOODRUFF | 1 | |
| 26 | 6E5-45331-00-94 | HOUSING, BEARING | 1 | |
| 27 | 93101-28M16-00 | .OIL SEAL | 2 | |
| 28 | 93317-330U2-00 | BEARING | 1 | |
| 29 | 6E5-45587-00-05 | SHIM 3 | 1 | U.R. |
| 29 | 6E5-45587-00-08 | SHIM 3 | 1 | U.R. |
| 29 | 6E5-45587-01-12 | SHIM (T:0.12MM) | 1 | U.R. |
| 29 | 6E5-45587-01-30 | SHIM (T:0.30MM) | 1 | U.R. |
| 29 | 6E5-45587-01-50 | SHIM (T:0.50MM) | 1 | U.R. |
| 30 | 93341-930U0-00 | BEARING, THRUST | 1 | |
| 31 | 93210-54534-00 | O-RING | 1 | |
| 32 | 6E5-45344-00-00 | COVER, OIL SEAL | 1 | |
| 33 | 97395-08025-00 | BOLT | 4 | |
| 34 | 92990-08600-00 | .WASHER, PLATE | 4 | |
| 35 | 93311-928U5-00 | BEARING | 1 | |
| 36 | 6E5-45536-00-00 | SLEEVE, DRIVE SHAFT | 1 | |
| 37 | 6G5-45551-01-00 | PINION (14T) | 1 | |
| 38 | 90170-16M01-00 | NUT | 1 | |
| 39 | 6G5-45567-00-05 | SHIM | 1 | U.R. |
| 39 | 6G5-45567-00-08 | SHIM | 1 | U.R. |
| 39 | 6G5-45567-01-12 | SHIM (T:0.12MM) | 1 | U.R. |
| 39 | 6G5-45567-01-30 | SHIM (T:0.30MM) | 1 | U.R. |
| 39 | 6G5-45567-01-50 | SHIM (T:0.50MM) | 1 | U.R. |
| 40 | 93332-000V3-00 | BEARING | 1 | |
| 41 | 6G5-45560-01-00 | GEAR 1 (26T) | 1 | |
| 42 | 93315-425V3-00 | .BEARING | 1 | |

| | | | | |
|----|-----------------|-------------------------|---|-----------------------------|
| 43 | 6E5-45641-01-00 | SHIFTER | 1 | |
| 44 | 6E5-45634-01-00 | SLIDE, SHIFT | 1 | |
| 45 | 90501-16M37-00 | SPRING, COMPRESSION | 1 | |
| 46 | 93507-32031-00 | BALL 7-32 | 2 | |
| 47 | 93511-32027-00 | BALL | 2 | |
| 48 | 93503-16010-00 | BALL 3-16 | 2 | |
| 49 | 90250-08M07-00 | PIN, STRAIGHT | 1 | |
| 50 | 90201-30M92-00 | WASHER, PLATE | 1 | |
| 51 | 6G5-45631-00-00 | CLUTCH, DOG | 1 | |
| 52 | 6E5-45633-01-00 | RING, CROSS PIN | 1 | |
| 53 | 6E5-45611-01-00 | SHAFT, PROPELLER | 1 | |
| 54 | 6G5-45571-01-00 | GEAR 2 | 1 | |
| 55 | 6E5-45577-00-05 | SHIM (0.05MM) | 1 | U.R. |
| 55 | 6E5-45577-00-08 | SHIM | 1 | U.R. |
| 55 | 6L6-45577-00-12 | SHIM (T:0.12MM) | 1 | U.R. |
| 55 | 6L6-45577-00-30 | SHIM (T:0.30MM) | 1 | U.R. |
| 55 | 6L6-45577-00-50 | SHIM (T:0.50MM) | 1 | U.R. |
| 56 | 6G5-45576-00-00 | WASHER, THRUST | 1 | |
| 57 | 93306-209U0-00 | BEARING | 1 | |
| 58 | 93210-97M55-00 | .O-RING | 1 | |
| 59 | 6G5-45332-00-94 | HOUSING, BEARING | 1 | |
| 60 | 93315-430U8-00 | BEARING | 1 | |
| 61 | 93101-30M17-00 | .OIL SEAL | 2 | |
| 62 | 90282-04010-00 | KEY, STRAIGHT | 1 | |
| 63 | 6G5-45383-01-00 | WASHER, CLAW | 1 | |
| 64 | 6G5-45384-00-00 | NUT | 1 | |
| 65 | 6E5-45378-00-00 | NIPPLE, HOSE | 1 | |
| 66 | 90445-07M31-00 | HOSE (L200) | 1 | U.R. LONG |
| 66 | 90445-07M38-00 | HOSE (L300) | 1 | U.R. ULTRA LONG (NOT SHOWN) |
| 67 | 6E5-83558-00-00 | END, NIPPLE | 1 | |
| 68 | 6G5-W0001-21-00 | LOWER UNIT GASKET KIT | 1 | SEE NOTE |
| 69 | 6G5-W0078-01-00 | WATER PUMP REPAIR KIT | 1 | SEE NOTE |
| 70 | 6G5-W0078-01-00 | WATER PUMP REPAIR KIT | 1 | |
| 71 | 6E5-44322-41-00 | .INSERT, CARTRIDGE | 1 | |
| 72 | 6G5-44323-40-00 | .OUTER PLATE, CARTRIDGE | 1 | |

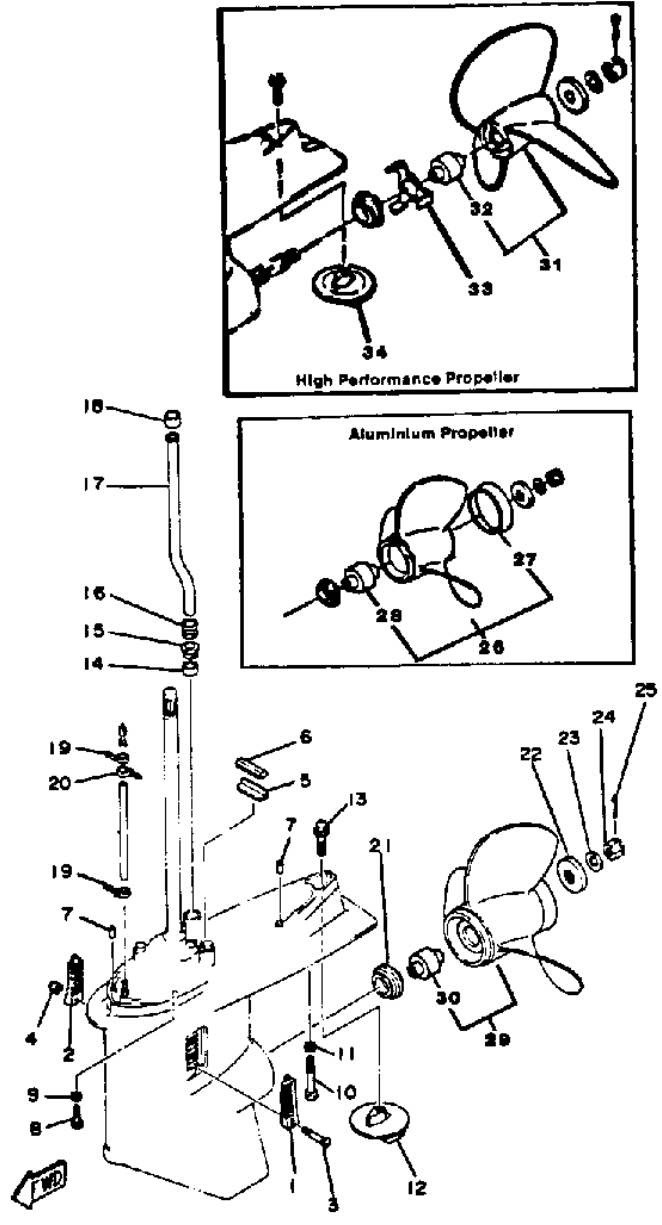
Part Notes

150ETXN 1984 / LOWER DRIVE 1

| PART NUMBER | | NOTE TEXT |
|----------------|---|---|
| 90430-08020-00 |  | OEM: This part number is among the Top 100 Most Popular Marine Maintenance Parts as of August 2013. |
| 93106-09014-00 |  | OEM: This part number is among the Top 100 Most Popular Marine Maintenance Parts as of August 2013. |
| 93210-86M38-00 |  | OEM: This part number is among the Top 100 Most Popular Marine Maintenance Parts as of August 2013. |
| 93101-28M16-00 |  | OEM: This part number is among the Top 100 Most Popular Marine Maintenance Parts as of August 2013. |
| 93210-54534-00 |  | OEM: This part number is among the Top 100 Most Popular Marine Maintenance Parts as of August 2013. |
| 93101-30M17-00 |  | OEM: This part number is among the Top 100 Most Popular Marine Maintenance Parts as of August 2013. |

©2013 Yamaha Motor Corporation, U.S.A. All rights reserved.

150ETXN 1984 / LOWER DRIVE 2



©2013 Yamaha Motor Corporation, U.S.A. All rights reserved.




Part List

150ETXN 1984 / LOWER DRIVE 2

| REF - NO | PART NUMBER | PART NAME | QUANTITY | REMARKS |
|----------|-------------------|--|----------|-----------------------------|
| 1 | 6G5-45214-00-00 | COVER, WATER INLET | 1 | |
| 2 | 6G5-45215-00-00 | COVER, WATER INLET | 1 | |
| 3 | 90142-05M03-00 | SCREW, COUNTERSUNK | 1 | |
| 4 | 90185-05002-00 | NUT, NYLON | 1 | |
| 5 | 663-45376-00-94 | GUIDE, SEAL DAMPER | 1 | SEE NOTE |
| 6 | 688-45375-00-00 | DAMPER, SEAL | 1 | SEE NOTE |
| 7 | 93608-12M05-00 | PIN, DOWEL | 2 | |
| 8 | 97395-10045-00 | BOLT | 6 | |
| 9 | 92990-10100-00 | WASHER, SPRING | 6 | |
| 10 | 97395-10070-00 | BOLT | 1 | |
| 11 | 92990-10100-00 | WASHER, SPRING | 1 | |
| 12 | 6E5-45371-01-00 | TAB-TRIM | 1 | |
| 13 | 90105-10M00-00 | BOLT, FLANGE | 1 | |
| 14 | 6E5-44365-00-00 | DAMPER, WATER SEAL 1 | 1 | SEE NOTE |
| 15 | 6E5-44312-00-00 | COVER, WATER PUMP HOUSING | 1 | SEE NOTE |
| 16 | 6E5-44366-00-00 | DAMPER, WATER SEAL 2 | 1 | |
| 17 | 6E5-44361-00-00 | TUBE, WATER 1 | 1 | U.R. LONG |
| 17 | 6E5-44361-20-00 | TUBE, WATER 1 | 1 | U.R. ULTRA LONG (NOT SHOWN) |
| 18 | 6E5-44365-00-00 | DAMPER, WATER SEAL 1 | 1 | |
| 19 | 90465-11M10-00 | CLAMP | 2 | |
| 20 | 90465-11M10-00 | CLAMP | 1 | |
| 21 | 6E5-45987-00-00 | SPACER 1 | 1 | |
| 22 | 688-45997-01-00 | SPACER 2 | 1 | |
| 23 | 92990-18200-00 | WASHER | 1 | |
| 24 | 90171-18M04-00 | NUT, CASTLE | 1 | |
| 25 | 91490-40030-00 | PIN. COTTER | 1 | |
| 26 | 6G5-45947-01-98 | PROPELLER (3X14-1/2"X17"-M) | 1 | U.R. |
| 26 | 6G5-45952-00-98 | PROPELLER (3X14-5/8"X16"-M) | 1 | U.R. |
| 26 | 6G5-45941-00-98 | PROPELLER (3X15-1/4"X15"-M) | 1 | U.R. |
| 26 | 6G5-45945-01-98 | PROPELLER (3X14"X19"-M) | 1 | U.R. |
| 26 | 6G5-45949-00-98 | PROPELLER (3X13-1/2"X23"-M) | 1 | U.R. |
| 27 | (6G5-45986-00-94) | REFLECTOR RING | 1 | |
| 28 | 6G5-45981-00-00 | .DAMPER RUBBER, PROPELLER | 1 | |
| 29 | 6G5-45900-00-98 | UNAVAILABLE IN PRICE BOOK (3X13-1/2"X23"") | 1 | U.R. |
| 29 | 6G5-45974-02-98 | PROPELLER ASSY (6G5-45974-01-98) (3 X 13-3/4" X 19"-M) | 1 | U.R. |
| 29 | 6G5-45978-02-98 | PROPELLER ASSY (3 X 13-3/4" X 17"-M) | 1 | U.R. |
| 29 | 6G5-45930-00-98 | PROPELLER (3X13-3/8"X25"-M) | 1 | U.R. |
| 29 | 6G5-45972-02-98 | PROPELLER (3X13-3/4"X21"-M) | 1 | U.R. |
| 30 | 6G5-45981-00-00 | .DAMPER RUBBER, PROPELLER | 1 | U.R. |
| 31 | 6E5-45974-10-00 | PROPELLER (3X14"X28"-P) | 1 | U.R. |
| 31 | 6E5-45978-10-00 | PROPELLER (3X14"X26"-P) | 1 | U.R. |
| 31 | 6E5-45972-10-00 | PROPELLER (3X14"X24"-P) | 1 | U.R. |
| 32 | 6G5-45981-00-00 | .DAMPER RUBBER, PROPELLER | 1 | |
| 33 | 6E5-45994-10-00 | PLATE, TOOTH | 1 | |

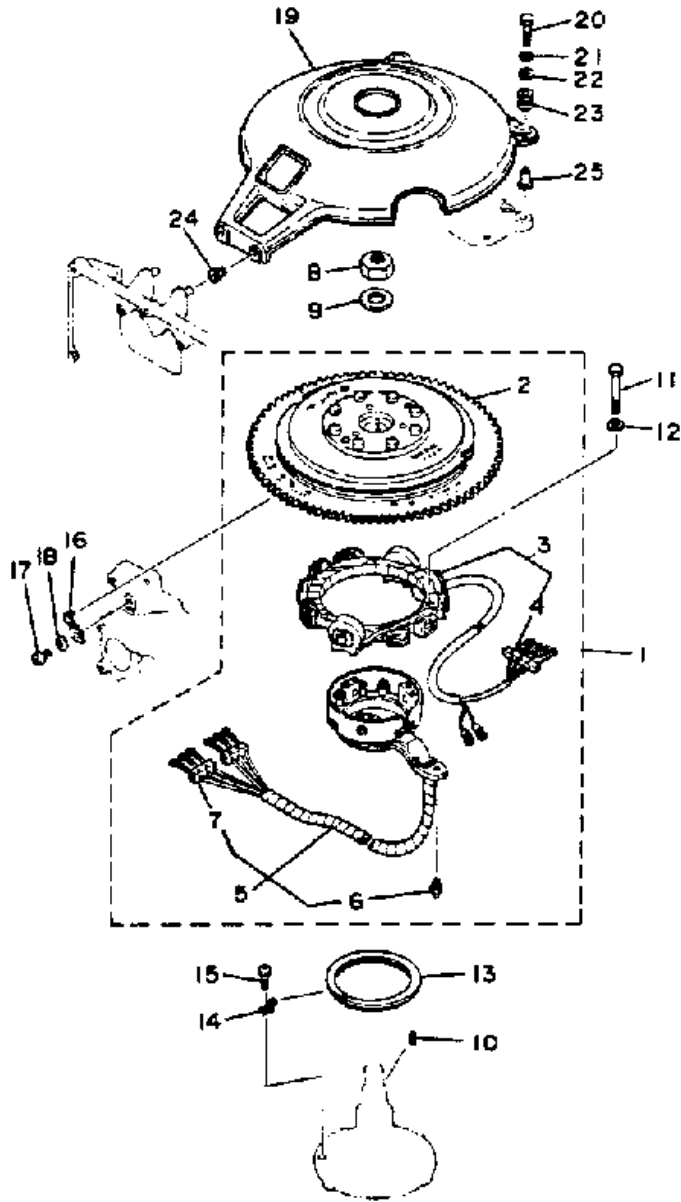
| | | | |
|----|-----------------|----------|---|
| 34 | 6E5-45371-10-00 | TAB-TRIM | 1 |
|----|-----------------|----------|---|

Part Notes*150ETXN 1984 / LOWER DRIVE 2*

| PART NUMBER | | NOTE TEXT |
|--------------------|---|---|
| 6E5-45371-01-00 |  | OEM: This part number is among the Top 100 Most Popular Marine Maintenance Parts as of August 2013. |
| 90105-10M00-00 |  | OEM: This part number is among the Top 100 Most Popular Marine Maintenance Parts as of August 2013. |
| 91490-40030-00 |  | OEM: This part number is among the Top 100 Most Popular Marine Maintenance Parts as of August 2013. |

©2013 Yamaha Motor Corporation, U.S.A. All rights reserved.

150ETXN 1984 / CDI MAGNETO



©2013 Yamaha Motor Corporation, U.S.A. All rights reserved.




Part List

150ETXN 1984 / CDI MAGNETO

| REF - NO | PART NUMBER | PART NAME | QUANTITY | REMARKS |
|----------------|-----------------|---------------------------------|----------|---------|
| 1 | UNA-VAILA-BL-EI | CARBURETOR ASSEMBLY | 1 | |
| 2 | 6G5-85550-12-00 | .ROTOR ASSY | 1 | |
| 3 | 6G5-85510-10-00 | .STATOR ASSEMBLY | 1 | |
| 4 | 90480-06M16-00 | ..GROMMET | 1 | |
| 5 | 6G5-85580-11-00 | .PULSER ASSEMBLY (6G5-85580-10) | 1 | |
| 6 | 663-85518-00-00 | ..JOINT, BALL | 1 | |
| 7 | 90480-06M16-00 | ..GROMMET | 1 | |
| 8 | 90170-20137-00 | NUT | 1 | |
| 9 | 90201-21M18-00 | WASHER, PLATE | 1 | |
| 10 | 90280-05049-00 | KEY, WOODRUFF | 1 | |
| 11 | 97313-06055-00 | BOLT, HEXAGON | 3 | |
| 12 | 92990-06600-00 | WASHER, PLATE | 3 | |
| 13 | 688-41611-00-00 | RETAINER, MAGNETO BASE | 1 | |
| 14 | 688-41612-00-00 | RETAINER, MAGNETO BASE | 4 | |
| 15 | 98580-06018-00 | SCREW, PAN HEAD | 4 | |
| 16 | 6E5-81332-00-00 | PLATE, TIMING | 1 | |
| 17 | 98580-06010-00 | SCREW, PAN HEAD | 1 | |
| 18 | 92990-06600-00 | WASHER, PLATE | 1 | |
| 19 | 6E5-81337-00-00 | COVER, FLYWHEEL | 1 | |
| 20 | 97313-06030-00 | BOLT | 2 | |
| 21 | 92995-06100-00 | WASHER, SPRING | 2 | |
| 22 | 90201-06M62-00 | WASHER, PLATE | 2 | |
| 23 | 663-82317-00-00 | DAMPER, IGNITION COIL | 2 | |
| 24 | 6G5-82317-00-00 | DAMPER, IGNITION COIL | 2 | |
| 25 | 624-42542-00-00 | PIPE | 2 | |

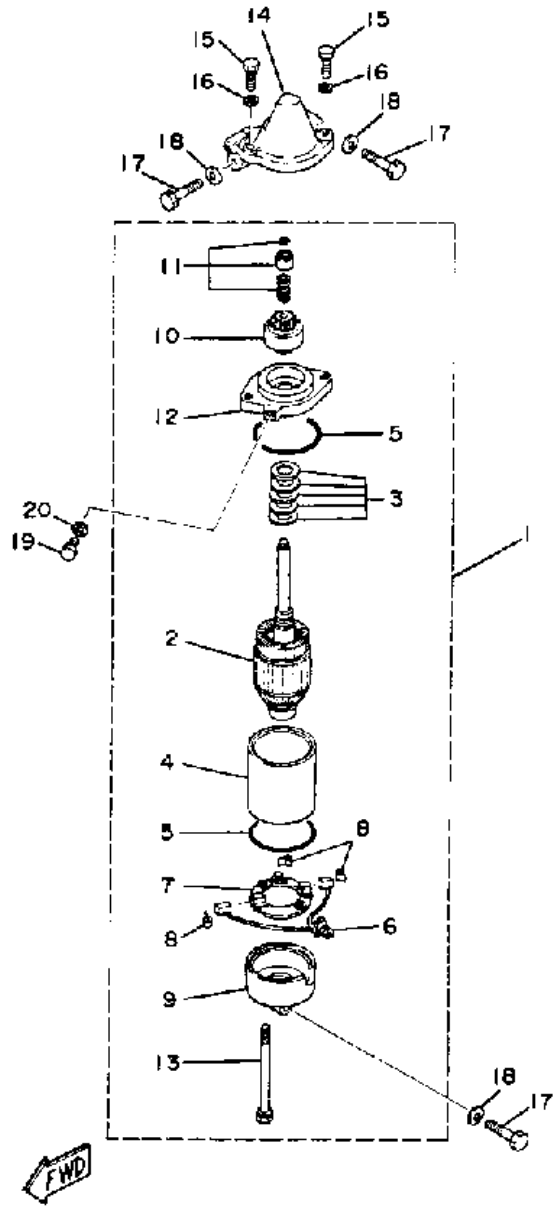
Part Notes

150ETXN 1984 / CDI MAGNETO

| PART NUMBER | | NOTE TEXT |
|----------------|---|---|
| 92990-06600-00 |  | OEM: This part number is among the Top 100 Most Popular Marine Maintenance Parts as of August 2013. |
| 92990-06600-00 |  | OEM: This part number is among the Top 100 Most Popular Marine Maintenance Parts as of August 2013. |
| 92995-06100-00 |  | OEM: This part number is among the Top 100 Most Popular Marine Maintenance Parts as of August 2013. |

©2013 Yamaha Motor Corporation, U.S.A. All rights reserved.

150ETXN 1984 / ELECTRIC MOTOR



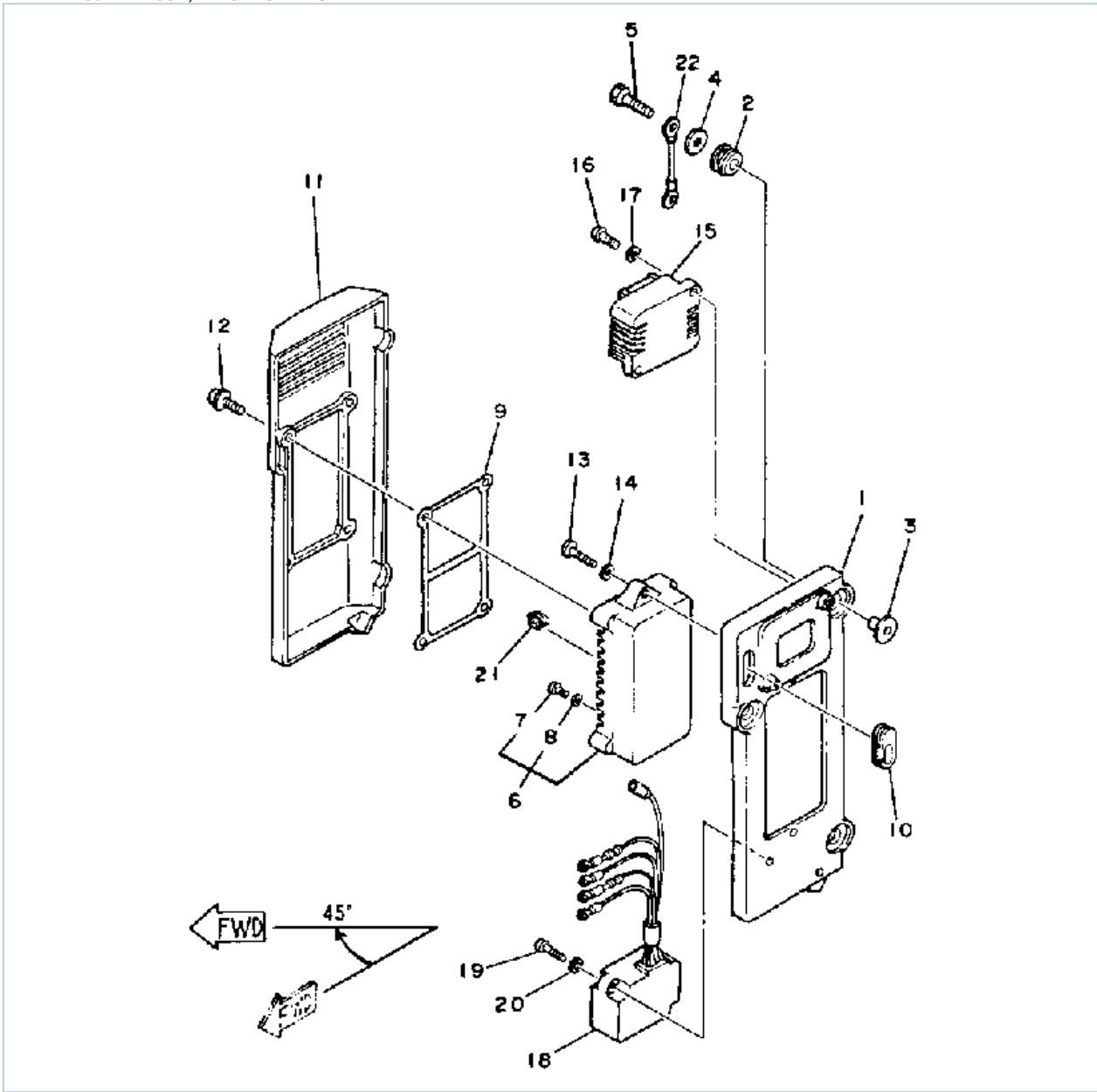
©2013 Yamaha Motor Corporation, U.S.A. All rights reserved.

Part List

150ETXN 1984 / ELECTRIC MOTOR

| REF - NO | PART NUMBER | PART NAME | QUANTITY | REMARKS |
|----------------|-----------------|----------------------------------|----------|---------|
| 1 | 6E5-81800-12-00 | STARTER MOTOR ASSY | 1 | |
| 2 | 6E5-81850-A9-00 | .ARMATURE ASSY (6E5-81850-10-00) | 1 | |
| 3 | 6E5-81809-10-00 | .WASHER KIT | 1 | |
| 4 | 6E5-81810-10-00 | .STATOR ASSY | 2 | |
| 5 | 6E5-81847-10-00 | .O-RING | 2 | |
| 6 | 6E5-81801-10-00 | .BRUSH SET | 1 | |
| 7 | 6E5-81840-10-00 | .BRUSH HOLDER ASSY | 1 | |
| 8 | 6E5-81813-10-00 | .SPRING, BRUSH | 3 | |
| 9 | 6E5-81820-11-00 | .REAR BRACKET ASSY | 1 | |
| 10 | 6E5-81807-11-00 | .GEAR ASSY, STARTING MOTOR | 1 | |
| 11 | 6E5-81857-10-00 | .RETAINER | 1 | |
| 12 | 6E5-81830-10-00 | .FRONT BRACKET ASSY | 1 | |
| 13 | 6E5-81826-10-00 | .BOLT | 2 | |
| 14 | 6E5-81822-02-98 | BRACKET, STARTING MOTOR | 1 | |
| 15 | 97013-08025-00 | BOLT | 2 | |
| 16 | 92990-08600-00 | .WASHER, PLATE | 2 | |
| 17 | 97313-08045-00 | BOLT, HEXAGON | 3 | |
| 18 | 92990-08600-00 | .WASHER, PLATE | 3 | |
| 19 | 97395-08016-00 | BOLT | 1 | |
| 20 | 92990-08600-00 | .WASHER, PLATE | 1 | |

150ETXN 1984 / ELECTRIC PARTS 1



©2013 Yamaha Motor Corporation, U.S.A. All rights reserved.




Part List

150ETXN 1984 / ELECTRIC PARTS 1

| REF - NO | PART NUMBER | PART NAME | QUANTITY | REMARKS |
|----------------|-----------------|--|----------|---------|
| 1 | 6G5-85542-00-94 | BRACKET | 1 | |
| 2 | 90480-09M12-00 | GROMMET | 3 | |
| 3 | 90387-06M03-00 | COLLAR | 3 | |
| 4 | 90201-06416-00 | WASHER, PLATE | 3 | |
| 5 | 97313-06030-00 | BOLT | 3 | |
| 6 | 6G5-85540-12-00 | CDI UNIT ASSY | 1 | |
| 7 | 98580-04008-00 | .SCREW, PAN HEAD | 20 | |
| 8 | 92990-04200-00 | .WASHER | 20 | |
| 9 | 6G5-85547-00-00 | DAMPER | 1 | |
| 10 | 90480-12M32-00 | GROMMET | 1 | |
| 11 | 6G5-85537-00-00 | COVER | 1 | |
| 12 | 90159-06M03-00 | SCREW, WITH WASHER | 4 | |
| 13 | 98580-06030-00 | .SCREW, PAN HEAD | 2 | |
| 14 | 92990-06600-00 | WASHER, PLATE | 2 | |
| 15 | 688-81960-61-00 | RECTIFIER/REG ASSEMBLY (688-81960-60) | 1 | |
| 16 | 97803-06020-00 | SCREW, PAN HEAD (92580- 06030-00) | 2 | |
| 17 | 92990-06600-00 | WASHER, PLATE | 2 | |
| 18 | 6G5-85590-12-00 | CONTROL UNIT ASSY | 1 | |
| 19 | 98580-06030-00 | .SCREW, PAN HEAD | 2 | |
| 20 | 92990-06600-00 | WASHER, PLATE | 2 | |
| 21 | 90480-06066-00 | GROMMET | 2 | |
| 22 | 6G5-83354-00-00 | WIRE, EARTH LEAD 1 | 1 | |

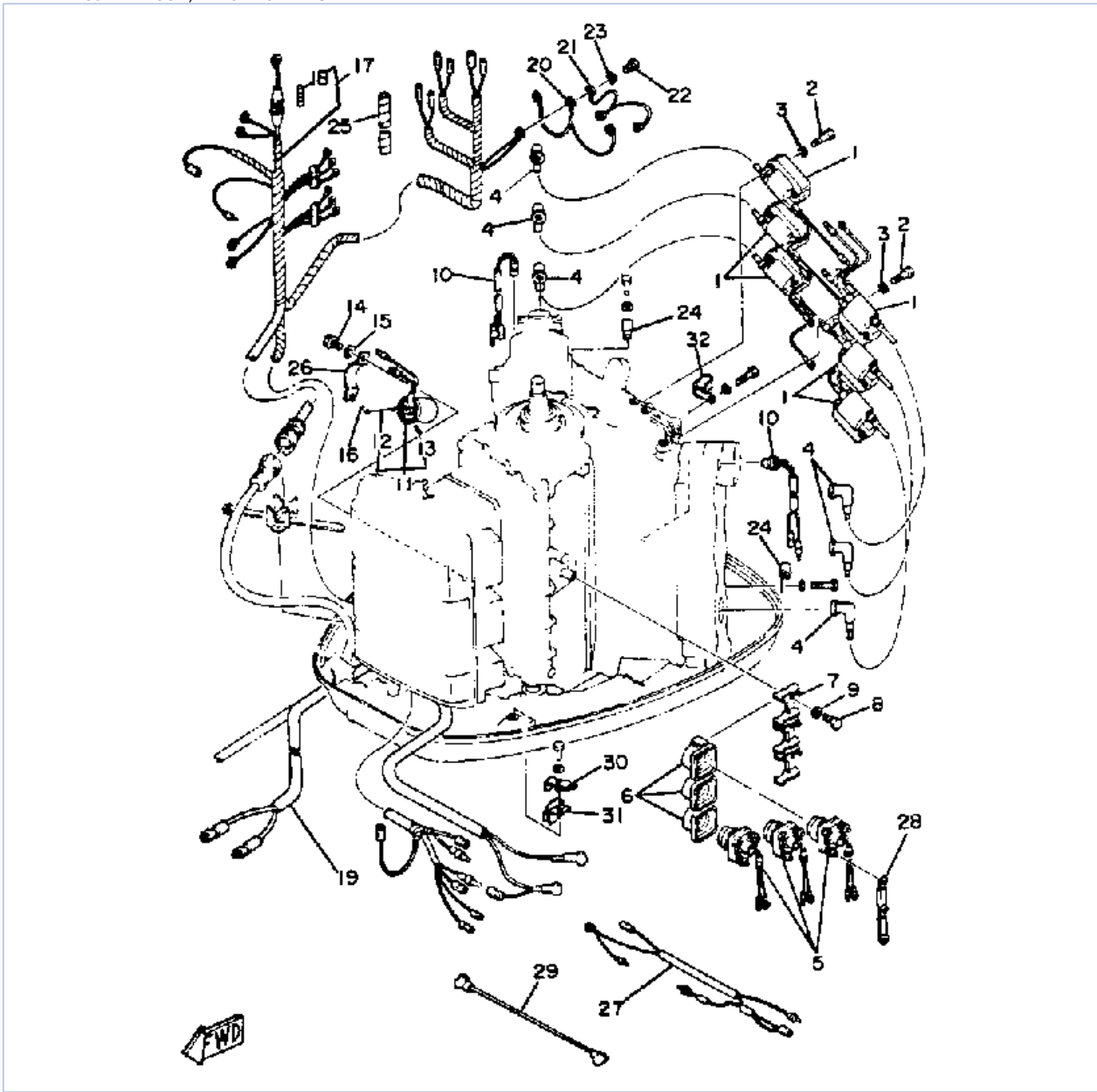
Part Notes

150ETXN 1984 / ELECTRIC PARTS 1

| PART NUMBER | NOTE TEXT |
|--|---|
| 92990-06600-00  | OEM: This part number is among the Top 100 Most Popular Marine Maintenance Parts as of August 2013. |
| 92990-06600-00  | OEM: This part number is among the Top 100 Most Popular Marine Maintenance Parts as of August 2013. |
| 92990-06600-00  | OEM: This part number is among the Top 100 Most Popular Marine Maintenance Parts as of August 2013. |

©2013 Yamaha Motor Corporation, U.S.A. All rights reserved.

150ETXN 1984 / ELECTRIC PARTS 2



©2013 Yamaha Motor Corporation, U.S.A. All rights reserved.





Part List

150ETXN 1984 / ELECTRIC PARTS 2

| REF - NO | PART NUMBER | PART NAME | QUANTITY | REMARKS |
|----------|------------------|------------------------|----------|---------|
| 1 | 6E5-85570-11-00 | IGNITION COIL ASSEMBLY | 6 | |
| 2 | 97313-06030-00 | BOLT | 12 | |
| 3 | 92990-06600-00 | WASHER, PLATE | 12 | |
| 4 | 663-82370-01-00 | PLUG CAP ASSY | 6 | |
| 5 | 6E5-81941-11-00 | STARTER RELAY ASSY | 3 | |
| 6 | 689-81952-10-00 | HOLDER, RELAY | 3 | |
| 7 | 6G5-81948-00-00 | BRACKET | 1 | |
| 8 | 97313-06016-00 | BOLT, HEXAGON | 2 | |
| 9 | 92990-06600-00 | WASHER, PLATE | 2 | |
| 10 | 688-82560-00-00 | THERMO SWITCH ASSY | 2 | |
| 11 | 6G5-86110-01-00 | SOLENOID | 1 | |
| 12 | 6G5-86119-00-00 | .WIRE, PULL | 1 | |
| 13 | 91690-30010-00 | .PIN, SPRING | 1 | |
| 14 | 97313-06016-00 | BOLT, HEXAGON | 2 | |
| 15 | 92990-06600-00 | WASHER, PLATE | 2 | |
| 16 | 93210-03261-00 | O-RING | 1 | |
| 17 | 6G5-82590-00-00 | WIRE HARNESS ASSEMBLY | 1 | |
| 18 | 682-82151-00-00 | .FUSE (12V-20A) | 1 | |
| 19 | 6G5-82105-00-00 | BATTERY CABLE | 1 | |
| 20 | 6E5-82519-00-00 | WIRE, EARTH LEAD | 1 | |
| 21 | 6E5-82531-00-00 | WIRE, LEAD | 1 | |
| 22 | 97395-06012-00 | BOLT | 3 | |
| 23 | 92990-06600-00 | WASHER, PLATE | 3 | |
| 24 | 90465-08028-00 | CLAMP | 6 | |
| 25 | 90446-10M01-00 | HOSE (L60) | 3 | |
| 26 | 6G5-86115-00-00 | HOLDER, SOLENOID | 1 | |
| 27 | 6G5-82553-00-00 | EXTENSION, WIRE LEAD | 1 | |
| 28 | 6G5-87149-00-00 | CONNECTOR | 1 | |
| 29 | 6G5-82117-00-00 | WIRE, LEAD | 1 | |
| 30 | (90465-08M21-00) | CLAMP | 1 | |
| 31 | 90465-08M22-00 | CLAMP | 1 | |
| 32 | 90465-08M08-00 | CLAMP | 2 | |

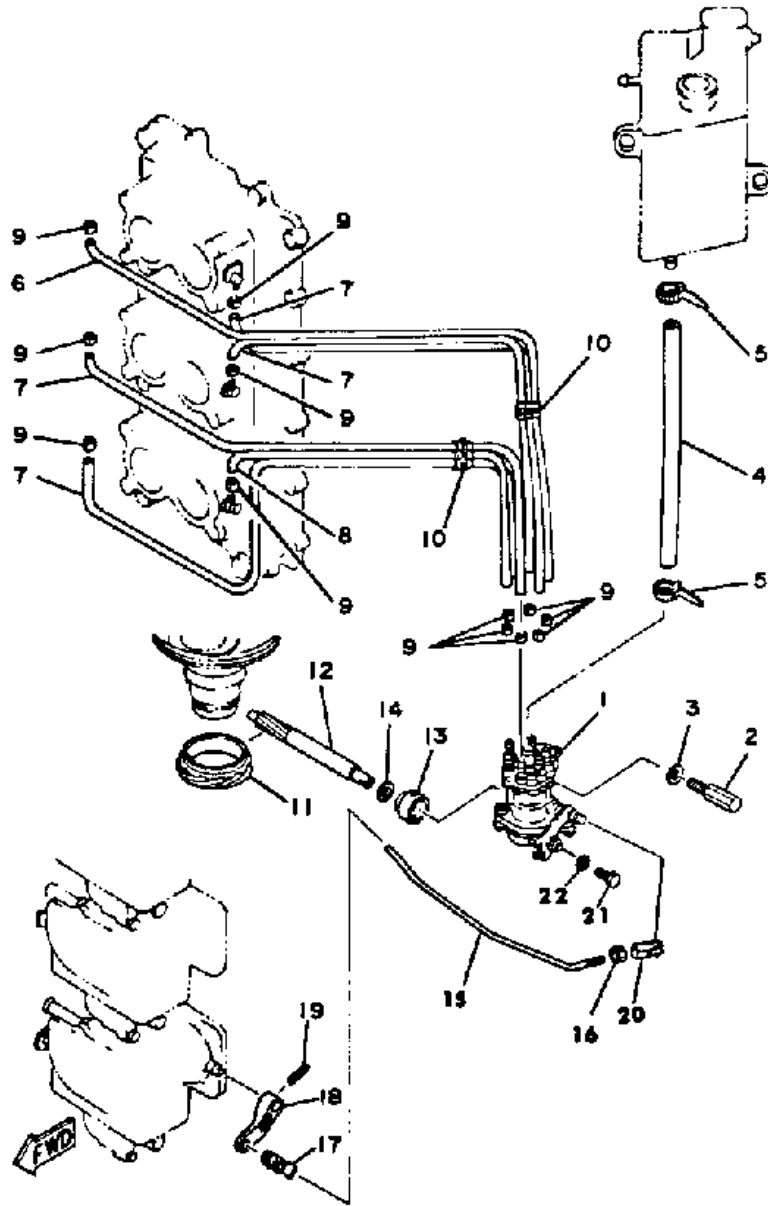
Part Notes

150ETXN 1984 / ELECTRIC PARTS 2

| PART NUMBER | NOTE TEXT |
|--|---|
| 92990-06600-00  | OEM: This part number is among the Top 100 Most Popular Marine Maintenance Parts as of August 2013. |
| 92990-06600-00  | OEM: This part number is among the Top 100 Most Popular Marine Maintenance Parts as of August 2013. |
| 92990-06600-00  | OEM: This part number is among the Top 100 Most Popular Marine Maintenance Parts as of August 2013. |
| 92990-06600-00  | OEM: This part number is among the Top 100 Most Popular Marine Maintenance Parts as of August 2013. |

©2013 Yamaha Motor Corporation, U.S.A. All rights reserved.

150ETXN 1984 / OIL PUMP



©2013 Yamaha Motor Corporation, U.S.A. All rights reserved.



Part List

150ETXN 1984 / OIL PUMP

| REF - NO | PART NUMBER | PART NAME | QUANTITY | REMARKS |
|----------|------------------|--|----------|----------------------------|
| 1 | 6G6-W1320-00-00 | OIL INJECTION PUMP ASSY (6G6-13200-01-00) | 1 | U.R. 200 MODEL (NOT SHOWN) |
| 1 | 6G5-W1320-00-00 | OIL INJECTION PUMP ASSY (6G5-13200-01-00) | 1 | U.R. 150/175 MODEL |
| 2 | 90109-06M23-00 | BOLT | 2 | |
| 3 | 92990-06600-00 | WASHER, PLATE | 2 | |
| 4 | (90445-12M65-00) | HOSE | 1 | |
| 5 | 90465-11M10-00 | CLAMP | 2 | |
| 6 | 90445-07M70-00 | HOSE | 1 | |
| 7 | 90445-07M71-00 | HOSE | 4 | |
| 8 | 90445-07M72-00 | HOSE (L250) | 1 | |
| 9 | 90468-07M02-00 | CLIP | 12 | |
| 10 | 90464-07M05-00 | CLAMP | 2 | |
| 11 | 6E5-11536-00-00 | GEAR, DRIVEN | 1 | |
| 12 | 6E5-11537-02-00 | GEAR, DRIVEN | 1 | |
| 13 | 6E5-13117-01-00 | COLLAR, DISTANCE | 1 | |
| 14 | 90201-08M93-00 | WASHER, PLATE | 1 | |
| 15 | 6E5-41241-00-00 | ROD, LINK | 1 | |
| 16 | 95380-05600-00 | NUT | 1 | |
| 17 | 6R5-41237-00-00 | JOINT, LINK | 1 | |
| 18 | 6E5-14276-01-00 | LEVER | 1 | |
| 19 | 91690-30016-00 | PIN, SPRING | 1 | |
| 20 | 6H1-41237-00-00 | JOINT, LINK | 1 | |
| 21 | 6E5-13471-01-00 | PLUG, DRAIN | 1 | |
| 22 | 6E5-13475-00-00 | GASKET | 1 | |

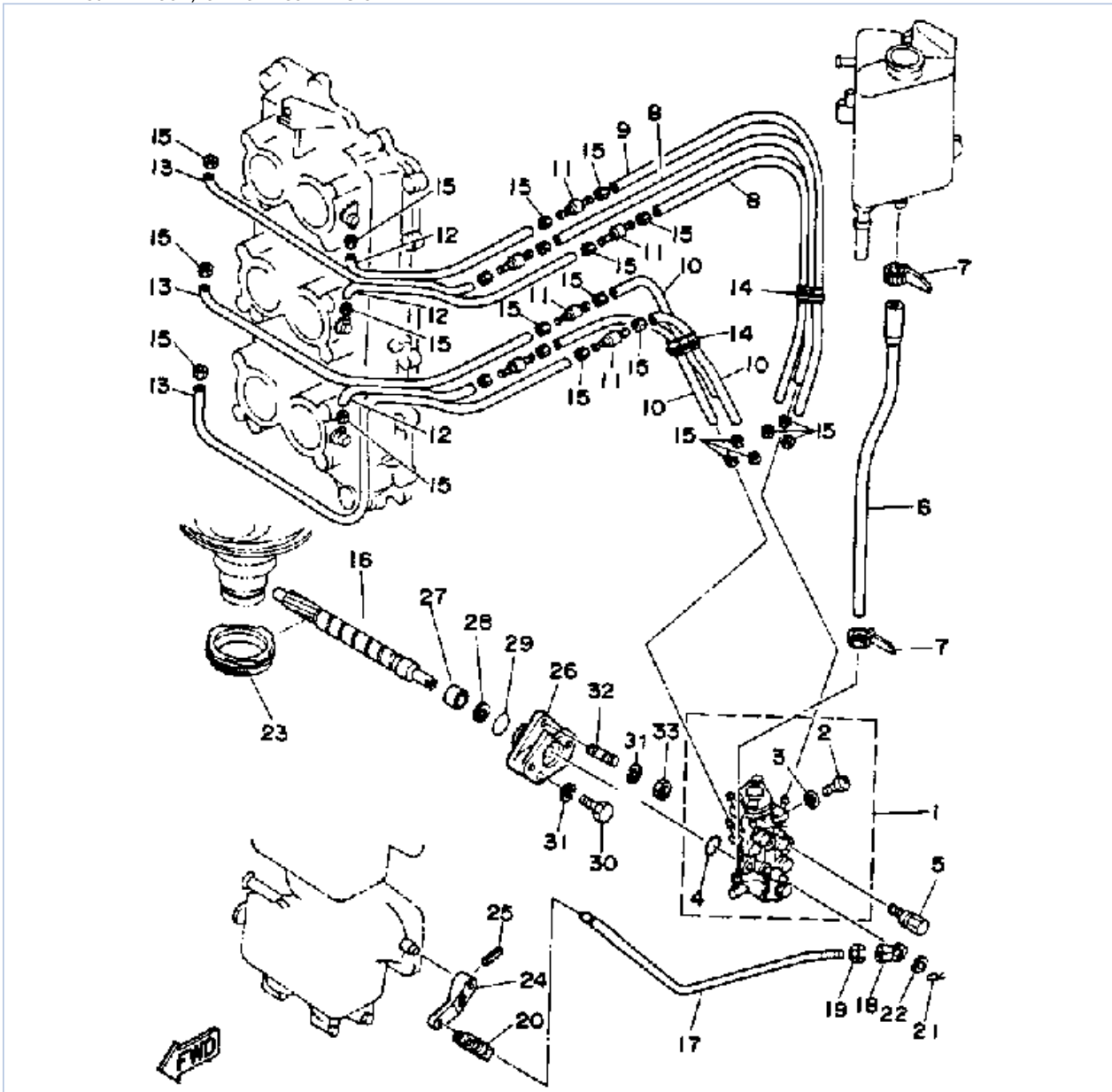
Part Notes

150ETXN 1984 / OIL PUMP

| PART NUMBER | NOTE TEXT |
|---|---|
| 92990-06600-00  | OEM: This part number is among the Top 100 Most Popular Marine Maintenance Parts as of August 2013. |
| 6H1-41237-00-00  | OEM: This part number is among the Top 100 Most Popular Marine Maintenance Parts as of August 2013. |

©2013 Yamaha Motor Corporation, U.S.A. All rights reserved.

150ETXN 1984 / OIL PUMP CONVERSION KIT



©2013 Yamaha Motor Corporation, U.S.A. All rights reserved.



Part List

150ETXN 1984 / OIL PUMP CONVERSION KIT

| REF - NO | PART NUMBER | PART NAME | QUANTITY | REMARKS |
|----------------|-----------------|-------------------------|----------|--------------------|
| 1 | 6R3-13200-09-00 | OIL INJECTION PUMP ASSY | 1 | U.R. 150/175 MODEL |
| 1 | 6R4-13200-09-00 | OIL INJECTION PUMP ASSY | 1 | U.R. 200 MODEL |
| 2 | 716-24444-00-00 | .PLUG, DRAIN | 1 | |
| 3 | 1YU-13187-00-00 | .GASKET, BREATHER BOLT | 1 | |
| 4 | 93210-19MA7-00 | .O-RING | 1 | |
| 5 | 90109-06M40-00 | BOLT | 2 | |
| 6 | 6R3-13416-00-00 | PIPE, OIL 1 | 1 | |
| 7 | 90465-11M10-00 | CLAMP | 2 | |
| 8 | 90445-07M73-00 | HOSE | 2 | |
| 9 | 90445-07M85-00 | HOSE (L330) | 1 | |
| 10 | 90445-07M83-00 | HOSE (L150) | 3 | |
| 11 | 6R3-13183-00-00 | VALVE, CHECK | 6 | |
| 12 | 90445-07M87-00 | HOSE (L110) | 3 | |
| 13 | 90445-07M96-00 | HOSE (L310) | 3 | |
| 14 | 90464-07M05-00 | CLAMP | 2 | |
| 15 | 90468-07M02-00 | CLIP | 24 | |
| 16 | 6R3-11537-09-00 | GEAR, DRIVEN | 1 | |
| 17 | 6R3-41241-00-00 | ROD, LINK | 1 | |
| 18 | 6H1-41237-00-00 | JOINT, LINK | 1 | |
| 19 | 95380-05600-00 | NUT | 1 | |
| 20 | 6R5-41237-00-00 | JOINT, LINK | 1 | |
| 21 | 90468-05M03-00 | CLIP | 1 | |
| 22 | 90202-05088-00 | WASHER, PLATE | 1 | |
| 23 | 6E5-11536-00-00 | GEAR, DRIVEN | 1 | |
| 24 | 6E5-14276-01-00 | LEVER | 1 | |
| 25 | 91690-30016-00 | PIN, SPRING | 1 | |
| 26 | 6R3-13117-09-00 | COLLAR, DISTANCE | 1 | |
| 27 | 90384-14M09-00 | .BUSH, BIMETAL FORMED | 1 | |
| 28 | 90202-08M44-00 | WASHER, PLATE | 1 | |
| 29 | 93210-18322-00 | O-RING | 1 | |
| 30 | 97313-06018-00 | BOLT | 1 | |
| 31 | 92995-06100-00 | WASHER, SPRING | 2 | |
| 32 | 90116-06M22-00 | BOLT, STUD | 1 | |
| 33 | 95380-06600-00 | NUT, HEXAGON | 1 | |

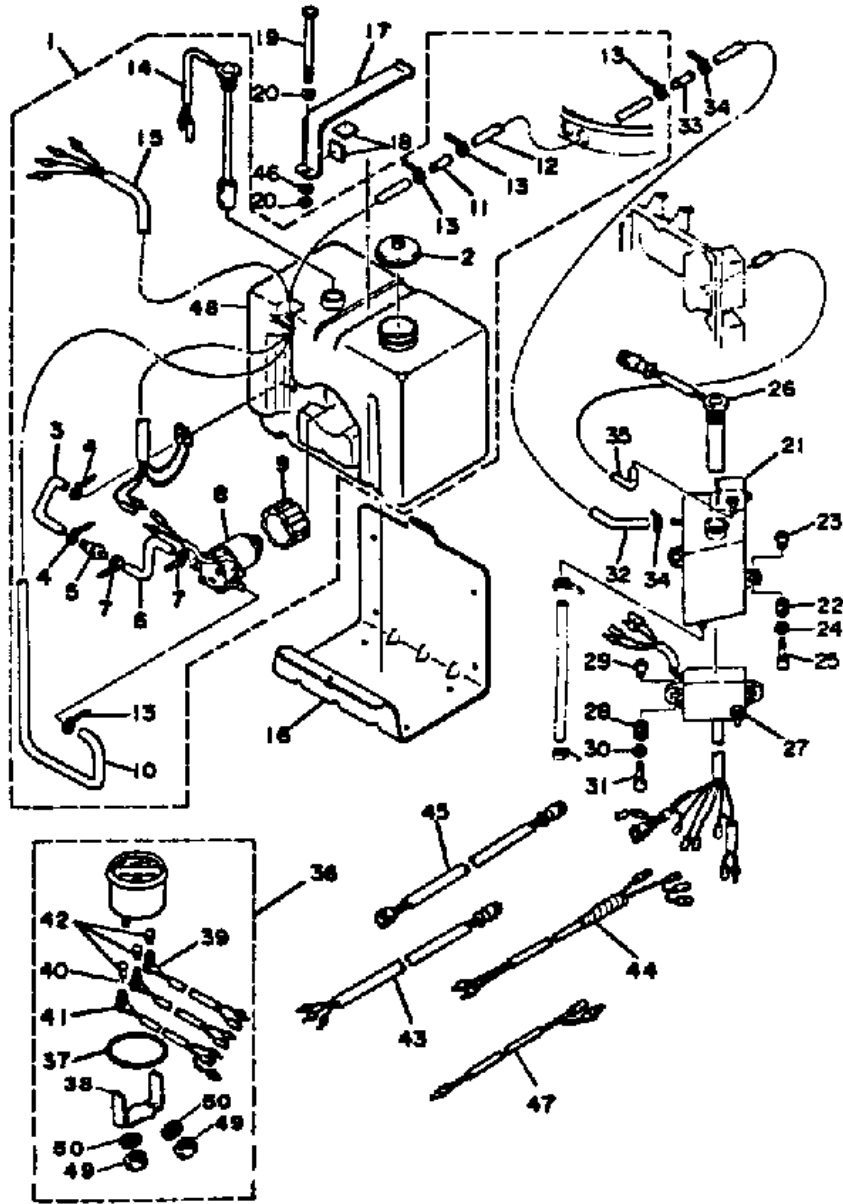
Part Notes

150ETXN 1984 / OIL PUMP CONVERSION KIT

| PART NUMBER | NOTE TEXT |
|-----------------|---|
| 6H1-41237-00-00 |  OEM: This part number is among the Top 100 Most Popular Marine Maintenance Parts as of August 2013. |
| 92995-06100-00 |  OEM: This part number is among the Top 100 Most Popular Marine Maintenance Parts as of August 2013. |

©2013 Yamaha Motor Corporation, U.S.A. All rights reserved.

150ETXN 1984 / OIL TANK



©2013 Yamaha Motor Corporation, U.S.A. All rights reserved.



Part List

150ETXN 1984 / OIL TANK

| REF - NO | PART NUMBER | PART NAME | QUANTITY | REMARKS |
|----------------|-------------------|-----------------------------------|----------|---------|
| 1 | 6E5-21708-00-00 | OIL TANK SUB ASSEMBLY | 1 | |
| 2 | 6E5-21770-03-00 | .OIL TANK CAP ASSY | 1 | |
| 3 | (6E5-24318-00-00) | PIPE, OVERFLOW | 1 | |
| 4 | 90465-11M10-00 | .CLAMP | 2 | |
| 5 | 646-24251-02-00 | .STRAINER 1 | 1 | |
| 6 | 6E5-24319-00-00 | .PIPE, OIL | 1 | |
| 7 | 90465-11M10-00 | .CLAMP | 2 | |
| 8 | 6E5-81900-00-00 | .MOTOR PUMP ASSEMBLY | 1 | |
| 9 | 6E5-81922-00-00 | .GROMMET | 1 | |
| 10 | 6E5-24321-00-00 | .PIPE 10 | 1 | |
| 11 | 878-24379-00-00 | .PIPE, JOINT 4 | 1 | |
| 12 | 90445-12232-00 | .HOSE | 1 | |
| 13 | 90465-11M10-00 | .CLAMP | 4 | |
| 14 | 6E5-85720-00-00 | .OIL LVL GAUGE ASSEMBLY ASSY 1 | 1 | |
| 15 | 6E5-85721-00-00 | .WIRE, LEAD | 1 | |
| 16 | 6E5-21734-01-33 | HOLDER, OIL SUB TANK | 1 | |
| 17 | 6E5-21798-01-33 | BRACKET, DAMPER | 1 | |
| 18 | 6E5-21746-00-00 | DAMPER | 2 | |
| 19 | 97380-06100-00 | BOLT, HEXAGON (91201- 06100) | 1 | |
| 20 | 92990-06600-00 | WASHER, PLATE | 2 | |
| 21 | 6E5-21750-02-00 | OIL TANK ASSEMBLY | 1 | |
| 22 | 6A0-82317-00-00 | DAMPER, IGNITION COIL | 3 | |
| 23 | 624-42542-00-00 | PIPE | 3 | |
| 24 | 90201-06M62-00 | WASHER, PLATE | 3 | |
| 25 | 97313-06030-00 | BOLT | 3 | |
| 26 | 6E5-85730-10-00 | OIL LEVEL GAUGE | 1 | |
| 27 | 6E5-85740-00-00 | CONTROL UNIT ASSEMBLY | 1 | |
| 28 | 6A0-82317-00-00 | DAMPER, IGNITION COIL | 2 | |
| 29 | 624-42542-00-00 | PIPE | 2 | |
| 30 | 90201-06M62-00 | WASHER, PLATE | 2 | |
| 31 | 97313-06030-00 | BOLT | 2 | |
| 32 | 6E5-24323-00-00 | PIPE 12 | 1 | |
| 33 | 878-24379-00-00 | PIPE, JOINT 4 | 1 | |
| 34 | 90465-11M10-00 | CLAMP | 2 | |
| 35 | 90445-05M61-00 | HOSE | 1 | |
| 36 | 6E5-84301-00-00 | OIL INDICATOR | 1 | |
| 37 | 688-83523-00-00 | .DAMPER | 1 | |
| 38 | (688-83514-00-00) | PLATE, FITTING | 1 | |
| 39 | (6E5-83536-00-00) | SOCKET, METER | 1 | |
| 40 | 6E5-83536-10-00 | .SOCKET, METER | 1 | |
| 41 | [6E-58353-62-00 | .UNAVAILABLE IN PRICE BOOK | 1 | |
| 42 | 688-83516-10-00 | .BULB (12V-34W) | 3 | |
| 43 | 6E5-82551-00-00 | WIRE, LEAD | 1 | |
| 44 | 6E5-84348-00-00 | WIRE, LEAD 1 | 1 | |
| 45 | 6E5-83553-00-00 | WIRE, LEAD | 1 | |
| 46 | 95380-06600-00 | NUT, HEXAGON | 1 | |
| 47 | 6G5-81315-00-00 | LEAD WIRE ASSY | 1 | |
| 48 | 6E5-21733-02-00 | .SUB TANK, OIL (10.5L) | 1 | |
| 49 | 95380-05600-00 | NUT | 2 | |
| 50 | 92990-05100-00 | .WASHER, SPRING | 2 | |

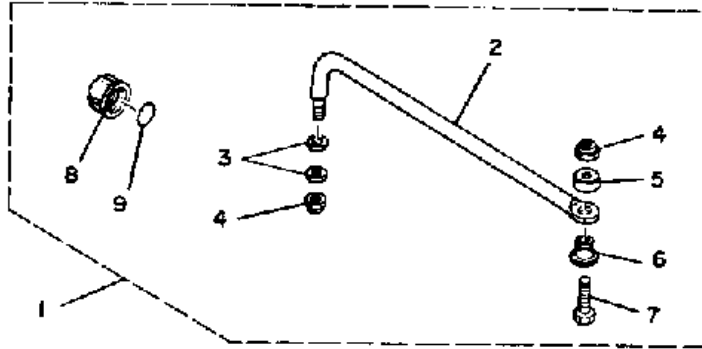
Part Notes

150ETXN 1984 / OIL TANK

| PART NUMBER | | NOTE TEXT |
|-----------------|---|---|
| 646-24251-02-00 |  | OEM: This part number is among the Top 100 Most Popular Marine Maintenance Parts as of August 2013. |
| 92990-06600-00 |  | OEM: This part number is among the Top 100 Most Popular Marine Maintenance Parts as of August 2013. |

©2013 Yamaha Motor Corporation, U.S.A. All rights reserved.

150ETXN 1984 / STEERING GUIDE ATTACHMENT



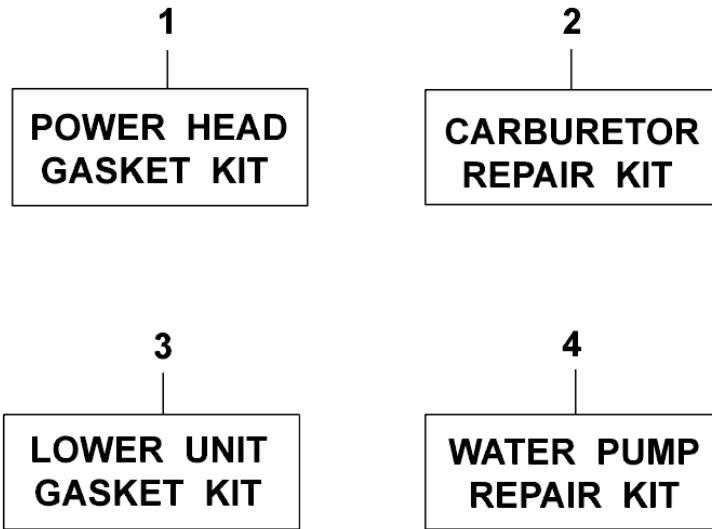
©2013 Yamaha Motor Corporation, U.S.A. All rights reserved.

Part List

150ETXN 1984 / STEERING GUIDE ATTACHMENT

| REF - NO | PART NUMBER | PART NAME | QUANTITY | REMARKS |
|----------------|-----------------|----------------------------------|----------|---------|
| 1 | 6E5-61350-01-00 | STEERING GUIDE ATTACHMENT KIT | 1 | |
| 2 | 6E5-61351-00-00 | .ROD, STEERING LINK | 1 | |
| 3 | 90201-10M20-00 | .WASHER, PLATE | 2 | |
| 4 | 90185-09M01-00 | .NUT, SELF-LOCKING | 2 | |
| 5 | 90560-12M01-00 | .SPACER | 1 | |
| 6 | 90387-10M61-00 | .COLLAR | 1 | |
| 7 | 6E5-61355-00-00 | .BOLT | 1 | |
| 8 | 6E5-43145-00-00 | .CAP, CLAMP BRACKET | 1 | |
| 9 | 93210-16275-00 | .O-RING | 1 | |

150ETXN 1984 / REPAIR KIT



©2013 Yamaha Motor Corporation, U.S.A. All rights reserved.

Part List

150ETXN 1984 / REPAIR KIT

| REF - NO | PART NUMBER | PART NAME | QUANTITY | REMARKS |
|----------------|-----------------|-----------------------|----------|---------|
| 1 | 6G5-W0001-03-00 | POWER HEAD GASKET KIT | 1 | |
| 2 | 6G5-W0093-00-00 | CARUBETOR REPAIR KIT | 1 | |
| 3 | 6G5-W0001-21-00 | LOWER UNIT GASKET KIT | 1 | |
| 4 | 6G5-W0078-01-00 | WATER PUMP REPAIR KIT | 1 | |

©2013 Yamaha Motor Corporation, U.S.A. All rights reserved.