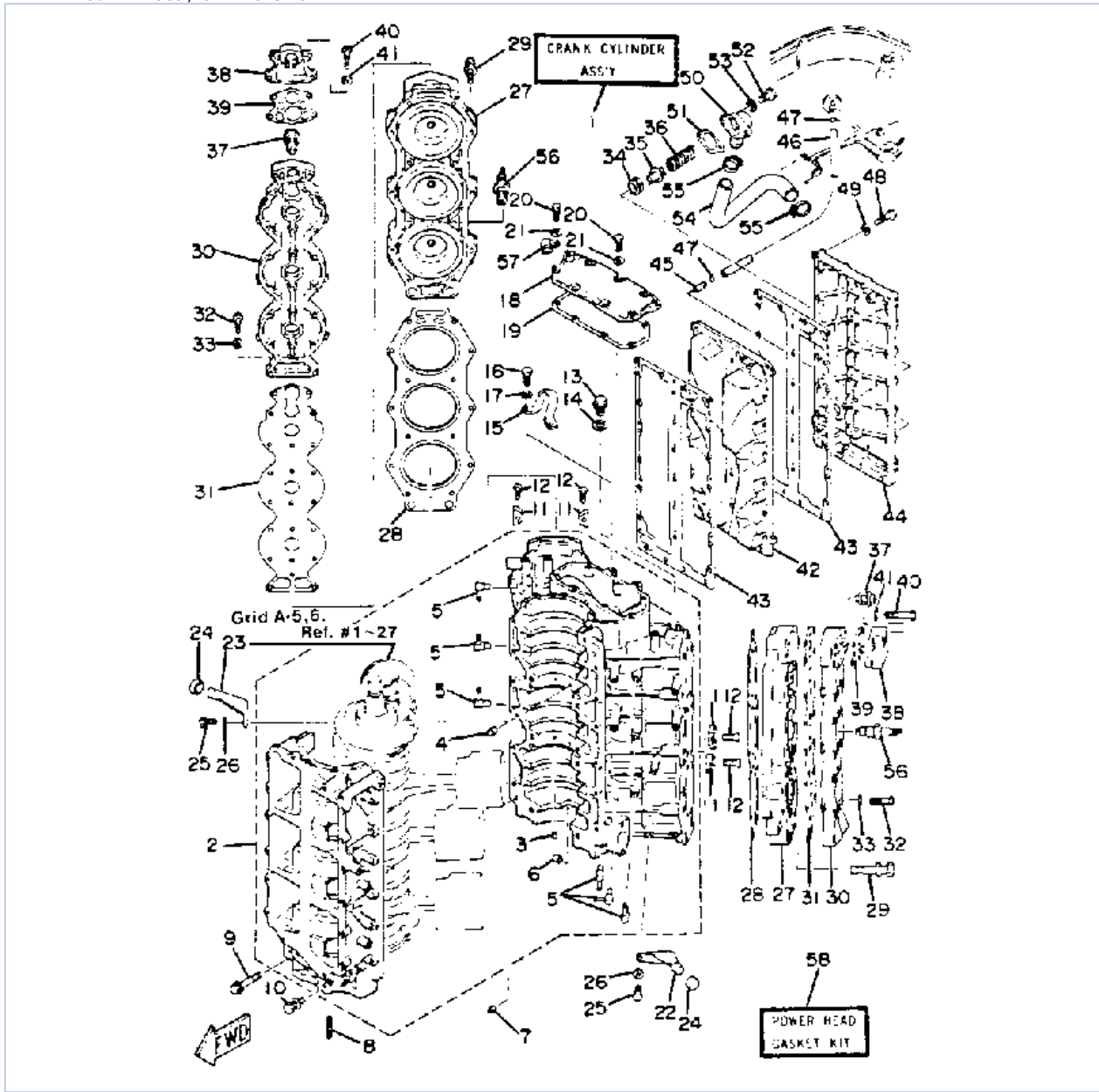


150ETLK 1985 / CRANKCASE CYLINDER



©2013 Yamaha Motor Corporation, U.S.A. All rights reserved.

## Part List









150ETLK 1985 / CRANKCASE CYLINDER

| REF - NO | PART NUMBER     | PART NAME                     | QUANTITY | REMARKS                   |
|----------|-----------------|-------------------------------|----------|---------------------------|
| 1        | 6G5-W0090-15-EK | CRANK CYLINDER ASSEMBLY       | 1        | U.R.175/200 MODEL         |
| 1        | 6G4-W0090-16-EK | CRANK CYLINDER ASSEMBLY       | 1        | U.R.150 MODEL (NOT SHOWN) |
| 2        | 6G4-15100-04-94 | CRANKCASE ASSY                | 1        | U.R.150 MODEL (NOT SHOWN) |
| 2        | 6G5-15100-04-94 | CRANKCASE ASSY                | 1        | U.R.175/200 MODEL         |
| 3        | 624-11379-00-00 | .VALVE, CHECK                 | 2        |                           |
| 4        | 663-11518-01-00 | .LOCK, BEARING                | 2        |                           |
| 5        | 646-11370-00-00 | .CHECK VALVE ASSY             | 6        |                           |
| 6        | 90380-06M24-00  | .BUSH, SOLID (90380-06M18-00) | 1        |                           |
| 7        | 93608-12063-00  | PIN, DOWEL                    | 2        |                           |
| 8        | 90116-08M14-00  | BOLT, STUD                    | 2        |                           |
| 9        | 90105-10M20-00  | BOLT, FLANGE                  | 8        |                           |
| 10       | 90119-08M23-00  | BOLT, W/WASHER                | 12       |                           |
| 11       | 6E5-11325-00-00 | ANODE                         | 8        |                           |
| 12       | 98680-04016-00  | SCREW OVAL HEAD               | 8        |                           |
| 13       | 90340-14M00-00  | .PLUG, STRAIGHT SCREW         | 1        |                           |
| 14       | 90430-14115-00  | .GASKET                       | 1        |                           |
| 15       | 6E5-11119-00-00 | HANGER, ENGINE                | 1        |                           |
| 16       | 97313-08020-00  | BOLT, HEXAGON                 | 2        |                           |
| 17       | 92990-08100-00  | WASHER, SPRING                | 2        |                           |
| 18       | 6E5-11371-00-9M | COVER                         | 1        |                           |
| 19       | 6E5-11381-00-00 | GASKET 1                      | 1        |                           |
| 20       | 97313-06020-00  | BOLT, HEXAGON                 | 7        |                           |
| 21       | 92990-06600-00  | WASHER, PLATE                 | 7        |                           |
| 22       | 6E5-42761-00-94 | STOPPER                       | 1        |                           |
| 23       | 6E5-42762-00-94 | STOPPER                       | 1        |                           |
| 24       | 663-44533-00-00 | DAMPER, UPPER MOUNT RUBBER    | 2        |                           |
| 25       | 97313-06020-00  | BOLT, HEXAGON                 | 4        |                           |
| 26       | 92990-06600-00  | WASHER, PLATE                 | 4        |                           |
| 27       | 6G5-11111-03-94 | HEAD, CYLINDER 1              | 2        | U.R.175/200 MODEL         |
| 27       | 6G4-11111-01-94 | HEAD, CYLINDER                | 2        | U.R.150 MODEL (NOT SHOWN) |
| 28       | 6G5-11181-A0-00 | GASKET, CYLINDER HEAD 1       | 2        |                           |
| 29       | 90119-08M21-00  | BOLT, WITH WASHER             | 28       |                           |
| 30       | 6G5-11191-00-9M | COVER, CYLINDER HEAD 1        | 2        |                           |
| 31       | 6G5-11193-01-00 | GASKET, HEAD COVER 1          | 2        |                           |
| 32       | 97313-06030-00  | BOLT                          | 36       |                           |
| 33       | 92990-06600-00  | WASHER, PLATE                 | 36       |                           |
| 34       | 90480-20M05-00  | GROMMET                       | 1        |                           |
| 35       | 6G5-12416-00-00 | VALVE, PRESSURE CONTROL       | 1        |                           |
| 36       | 90501-16M11-00  | SPRING, COMPRESSION           | 1        |                           |
| 37       | 6E5-12411-01-00 | THERMOSTAT                    | 2        |                           |
| 38       | 6G5-12413-00-9M | COVER, THERMOSTAT             | 2        |                           |
| 39       | 688-12414-A1-00 | .GASKET, COVER                | 2        |                           |
| 40       | 97313-06045-00  | BOLT, HEXAGON                 | 8        |                           |
| 41       | 92990-06600-00  | WASHER, PLATE                 | 8        |                           |
| 42       | 6G5-41111-00-9M | INNER COVER, EXHAUST          | 1        |                           |
| 43       | 6G5-41112-A1-00 | GASKET, EXHAUST INNER COVER   | 2        |                           |
| 44       | 6G5-41113-00-9M | OUTER COVER, EXHAUST          | 1        |                           |
| 45       | 652-24461-00-00 | PIPE, JOINT 4                 | 1        |                           |
| 46       | 6E5-24312-00-00 | PIPE 2                        | 1        |                           |
| 47       | 90467-08004-00  | CLIP                          | 2        |                           |
| 48       | 97013-06035-00  | BOLT                          | 29       |                           |

|    |                 |                                |    |                           |
|----|-----------------|--------------------------------|----|---------------------------|
| 49 | 92990-06600-00  | WASHER, PLATE                  | 29 |                           |
| 50 | 6G5-11372-00-5B | NIPPLE, HOSE (6G5-11372-00-9M) | 1  |                           |
| 51 | 6G5-11382-A1-00 | .GASKET 2                      | 1  |                           |
| 52 | 97313-06020-00  | BOLT, HEXAGON                  | 2  |                           |
| 53 | 92990-06600-00  | WASHER, PLATE                  | 2  |                           |
| 54 | 6G5-12576-00-00 | HOSE 1                         | 1  |                           |
| 55 | 90465-13M36-00  | CLAMP                          | 2  |                           |
| 56 | NGK-B8HS1-00-00 | PLUG, SPARK (NGK B8HS-10)      | 6  | U.R.175/200 MODEL         |
| 56 | NGK-B7HS1-00-00 | PLUG, SPARK (NGK B7HS-10)      | 6  | U.R.150 MODEL (NOT SHOWN) |
| 57 | 90465-08028-00  | CLAMP                          | 1  |                           |
| 58 | 6G5-W0001-03-00 | POWER HEAD GASKET KIT          | 1  | SEE NOTE                  |

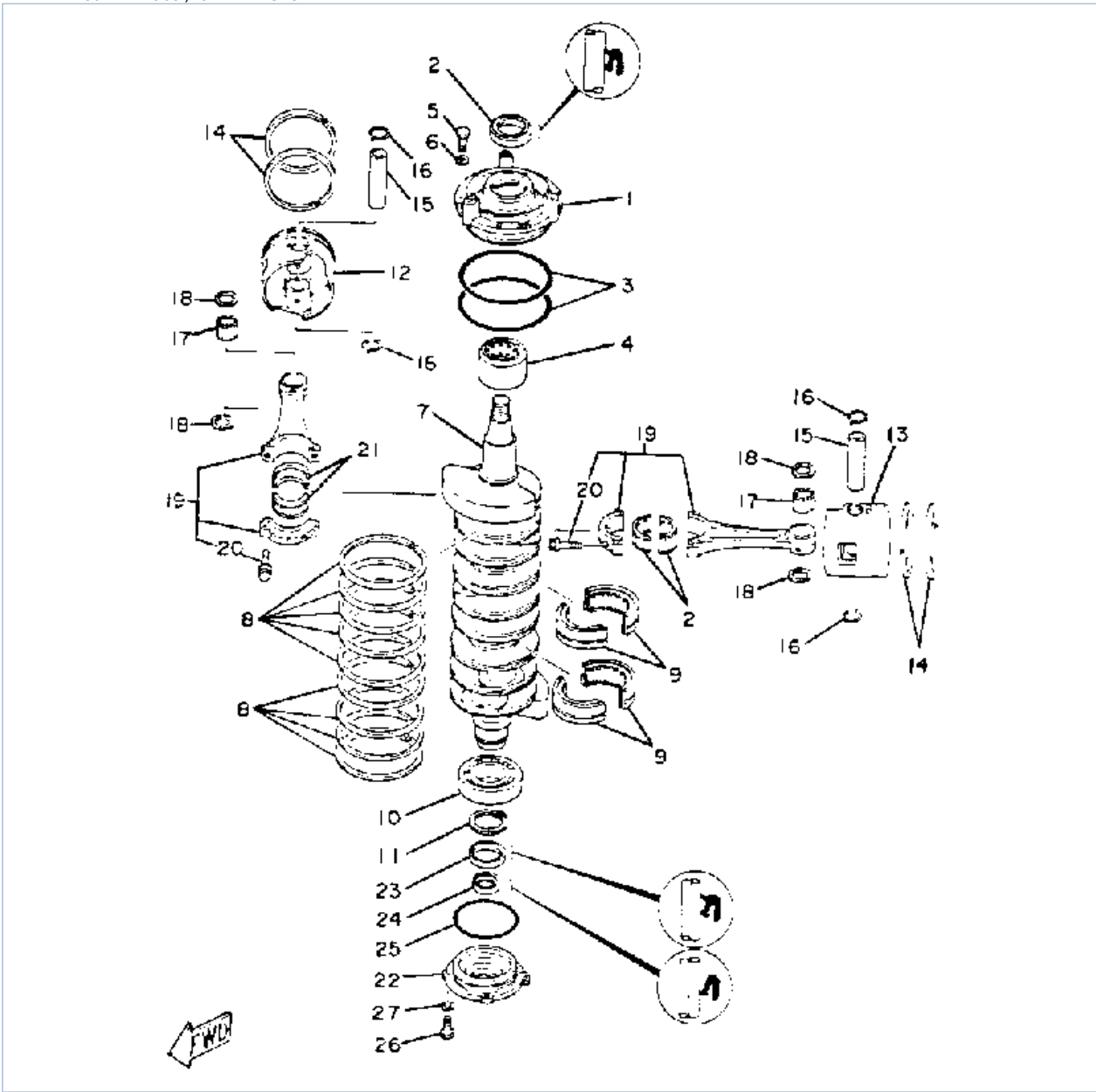
## Part Notes

150ETLK 1985 / CRANKCASE CYLINDER

| PART NUMBER     |   | NOTE TEXT   |
|-----------------|---|---|
| 92990-06600-00  |    | OEM: This part number is among the Top 100 Most Popular Marine Maintenance Parts as of August 2013. |
| 92990-06600-00  |    | OEM: This part number is among the Top 100 Most Popular Marine Maintenance Parts as of August 2013. |
| 92990-06600-00  |    | OEM: This part number is among the Top 100 Most Popular Marine Maintenance Parts as of August 2013. |
| 90480-20M05-00  |    | OEM: This part number is among the Top 100 Most Popular Marine Maintenance Parts as of August 2013. |
| 688-12414-A1-00 |    | OEM: This part number is among the Top 100 Most Popular Marine Maintenance Parts as of August 2013. |
| 92990-06600-00  |    | OEM: This part number is among the Top 100 Most Popular Marine Maintenance Parts as of August 2013. |
| 92990-06600-00  |   | OEM: This part number is among the Top 100 Most Popular Marine Maintenance Parts as of August 2013. |
| 92990-06600-00  |  | OEM: This part number is among the Top 100 Most Popular Marine Maintenance Parts as of August 2013. |

©2013 Yamaha Motor Corporation, U.S.A. All rights reserved.

150ETLK 1985 / CRANK PISTON



©2013 Yamaha Motor Corporation, U.S.A. All rights reserved.




## Part List

150ETLK 1985 / CRANK PISTON

| REF - NO | PART NUMBER     | PART NAME                    | QUANTITY | REMARKS               |
|----------|-----------------|------------------------------|----------|-----------------------|
| 1        | 6E5-15163-00-94 | HOUSING, BEARING 1           | 1        |                       |
| 2        | 93102-40384-00  | UNAVAILABLE IN PRICE BOOK    | 1        |                       |
| 3        | 93211-04384-00  | .O-RING                      | 2        |                       |
| 4        | 93311-940U3-00  | BEARING                      | 1        |                       |
| 5        | 97313-06020-00  | BOLT, HEXAGON                | 4        |                       |
| 6        | 92990-06600-00  | WASHER, PLATE                | 4        |                       |
| 7        | 6G5-11411-00-00 | CRANKSHAFT                   | 1        |                       |
| 8        | 6E5-11447-00-00 | SEAL, CRANK                  | 9        |                       |
| 9        | 93310-954V3-00  | BEARING, CYLINDRICAL         | 2        |                       |
| 10       | 93306-208U0-00  | BEARING                      | 1        |                       |
| 11       | 93410-40M03-00  | CIRCLIP                      | 1        |                       |
| 12       | 6G5-11631-00-93 | PISTON STD (STD)             | 3        |                       |
| 12       | 6G5-11636-00-00 | PISTON 2 O/S 0.50 (2ND O.S.) | 3        | ALT. PART (NOT SHOWN) |
| 13       | 6G5-11642-00-93 | PISTON STD (STD)             | 3        |                       |
| 13       | 6G5-11646-00-00 | PISTON 2ND (2ND O.S.)        | 2        | ALT. PART (NOT SHOWN) |
| 14       | 6E5-11610-23-00 | PISTON RING SET (2ND O/S)    | 6        | ALT. PART (NOT SHOWN) |
| 14       | 6E5-11610-03-00 | PISTON RING SET              | 6        |                       |
| 15       | 6E5-11633-01-00 | PIN, PISTON                  | 6        |                       |
| 16       | 6E5-11634-00-00 | CLIP, PISTON PIN             | 12       |                       |
| 17       | 93603-21111-00  | PIN, DOWEL                   | 180      |                       |
| 18       | 90201-21M75-00  | WASHER, PLATE                | 12       |                       |
| 19       | 6E5-11650-01-00 | CONNECTING ROD ASSY          | 6        |                       |
| 20       | 90109-08M61-00  | .BOLT                        | 12       |                       |
| 21       | 93310-836V2-00  | BEARING                      | 6        |                       |
| 22       | 6G5-15359-00-94 | HOUSING, OIL SEAL            | 1        |                       |
| 23       | 93102-35M13-00  | OIL SEAL                     | 1        |                       |
| 24       | 93101-22M15-00  | .OIL SEAL                    | 1        |                       |
| 25       | 93210-74M35-00  | .O-RING                      | 1        |                       |
| 26       | 97395-06020-00  | BOLT, HEXAGON                | 4        |                       |
| 27       | 92990-06600-00  | WASHER, PLATE                | 4        |                       |

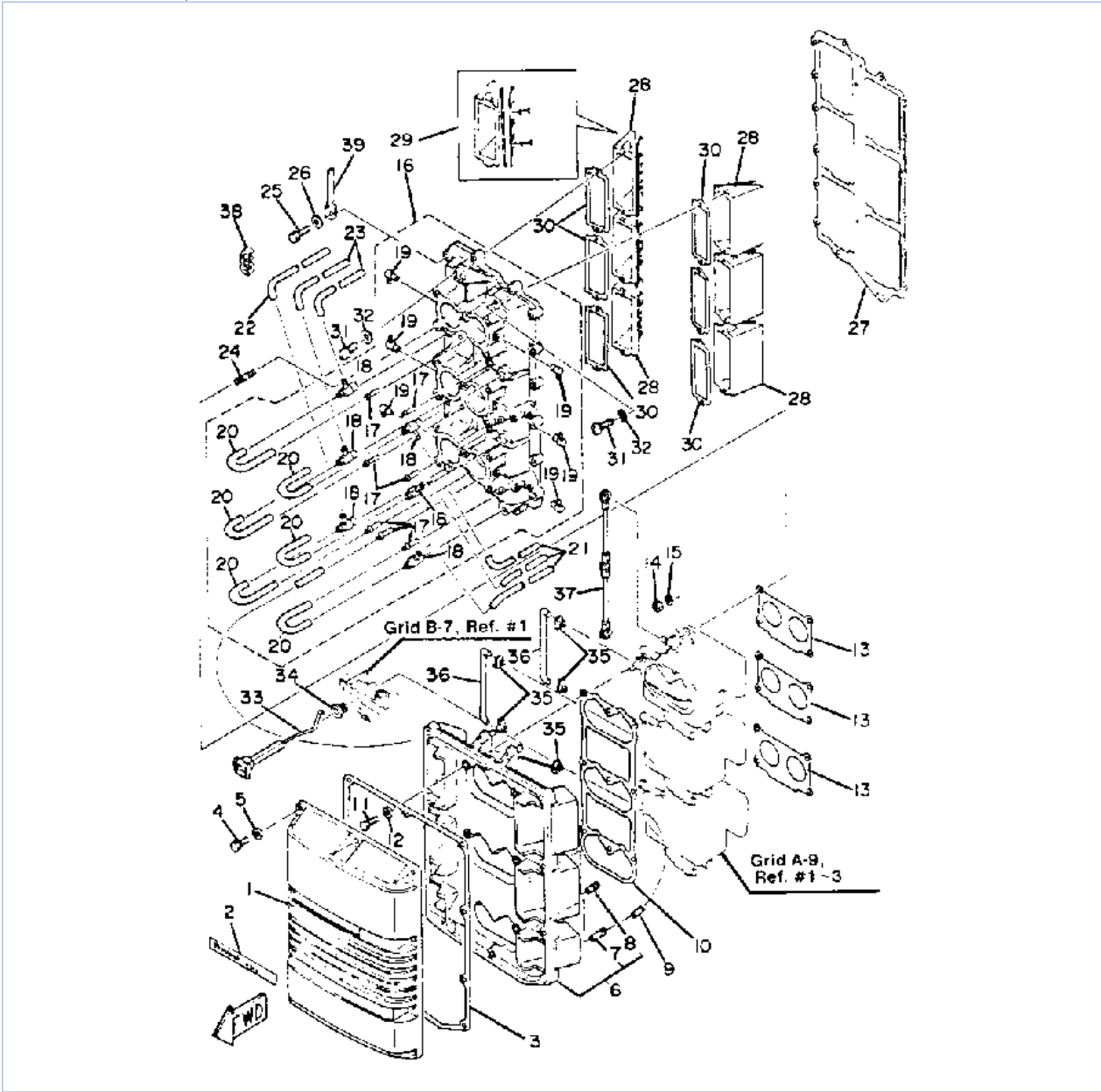
## Part Notes

150ETLK 1985 / CRANK PISTON

| PART NUMBER    |   | NOTE TEXT   |
|----------------|---|---|
| 92990-06600-00 |  | OEM: This part number is among the Top 100 Most Popular Marine Maintenance Parts as of August 2013. |
| 93603-21111-00 |  | OEM: This part number is among the Top 100 Most Popular Marine Maintenance Parts as of August 2013. |
| 92990-06600-00 |  | OEM: This part number is among the Top 100 Most Popular Marine Maintenance Parts as of August 2013. |

©2013 Yamaha Motor Corporation, U.S.A. All rights reserved.

150ETLK 1985 / INTAKE



©2013 Yamaha Motor Corporation, U.S.A. All rights reserved.





## Part List

150ETLK 1985 / INTAKE

| REF - NO | PART NUMBER     | PART NAME           | QUANTITY | REMARKS                   |
|----------|-----------------|---------------------|----------|---------------------------|
| 1        | 6G5-14418-00-00 | COVER 2             | 1        |                           |
| 2        | 6G5-1441K-00-00 | EMBLEM              | 1        |                           |
| 3        | 6G5-14416-00-00 | GASKET, AIR CLEANER | 1        |                           |
| 4        | 97313-06020-00  | BOLT, HEXAGON       | 10       |                           |
| 5        | 92990-06600-00  | WASHER, PLATE       | 10       |                           |
| 6        | 6G5-14417-00-94 | COVER 1             | 1        |                           |
| 7        | 624-14485-00-00 | .PIPE, JOINT        | 1        |                           |
| 8        | 6E5-14485-00-00 | .PIPE, JOINT        | 1        |                           |
| 9        | 90445-07M23-00  | HOSE (L408)         | 1        |                           |
| 10       | 6G5-14483-01-00 | GASKET              | 1        |                           |
| 11       | 97313-06020-00  | BOLT, HEXAGON       | 6        |                           |
| 12       | 92990-06600-00  | WASHER, PLATE       | 6        |                           |
| 13       | 6E5-14198-A1-00 | GASKET              | 3        |                           |
| 14       | 95380-06600-00  | NUT, HEXAGON        | 12       |                           |
| 15       | 92995-06100-00  | WASHER, SPRING      | 12       |                           |
| 16       | 6G5-13641-10-94 | MANIFOLD 1          | 1        |                           |
| 17       | 624-14485-00-00 | .PIPE, JOINT        | 7        |                           |
| 18       | 6E5-11375-00-00 | .NIPPLE, HOSE 1     | 6        |                           |
| 19       | 6E5-13552-00-00 | .NOZZLE             | 6        |                           |
| 20       | 90445-07M28-00  | .HOSE (L70)         | 6        |                           |
| 21       | 90445-07M45-00  | HOSE (L340)         | 3        |                           |
| 22       | 90445-07M59-00  | HOSE (L410)         | 1        |                           |
| 23       | 90445-07M46-00  | HOSE (L360)         | 2        |                           |
| 24       | 90116-06M08-00  | BOLT, STUD          | 12       |                           |
| 25       | 97313-06025-00  | BOLT                | 16       |                           |
| 26       | 92990-06600-00  | WASHER, PLATE       | 16       |                           |
| 27       | 6G5-13645-A1-00 | GASKET, MANIFOLD 1  | 1        |                           |
| 28       | 6E5-13610-00-00 | REED VALVE ASSY     | 6        | U.R.200 MODEL (NOT SHOWN) |
| 28       | 6G5-13610-00-00 | REED VALVE ASSY     | 6        | U.R.150/175 MODEL         |
| 29       | 6E5-W0004-00-00 | .REED SET           | 6        |                           |
| 30       | 6E5-13621-00-00 | GASKET, VALVE SEAT  | 6        |                           |
| 31       | 98580-05016-00  | SCREW, PAN HEAD     | 12       |                           |
| 32       | 92990-05600-00  | WASHER, PLATE       | 12       |                           |
| 33       | 6E5-41271-02-00 | KNOB, CHOKE         | 1        |                           |
| 34       | 689-41273-00-00 | GROMMET             | 1        |                           |
| 35       | 661-41262-02-00 | JOINT, CHOKE LEVER  | 5        |                           |
| 36       | 6E5-41256-01-00 | ROD, CHOKE 1        | 2        |                           |
| 37       | 6G5-41217-01-00 | ROD, ACCEL. LEVER   | 1        |                           |
| 38       | 90464-07M05-00  | CLAMP               | 2        |                           |
| 39       | 90465-07M20-00  | CLAMP               | 3        |                           |

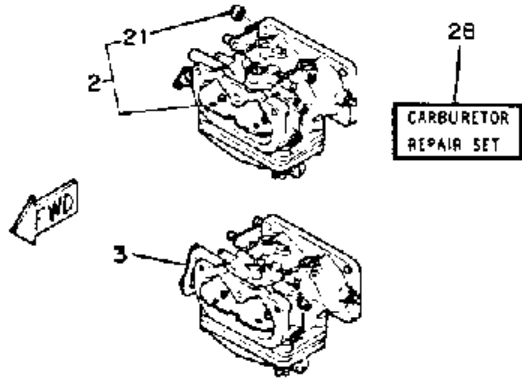
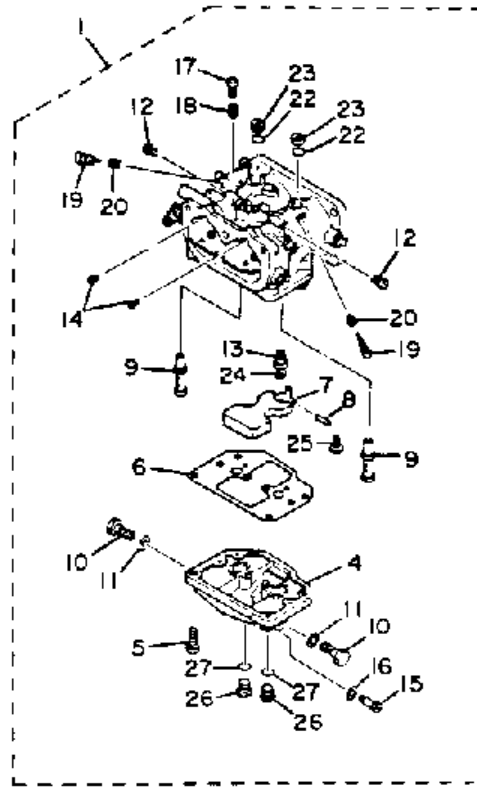
## Part Notes

150ETLK 1985 / INTAKE

| PART NUMBER    |   | NOTE TEXT   |
|----------------|---|---|
| 92990-06600-00 |  | OEM: This part number is among the Top 100 Most Popular Marine Maintenance Parts as of August 2013. |
| 92990-06600-00 |  | OEM: This part number is among the Top 100 Most Popular Marine Maintenance Parts as of August 2013. |
| 92995-06100-00 |  | OEM: This part number is among the Top 100 Most Popular Marine Maintenance Parts as of August 2013. |
| 92990-06600-00 |  | OEM: This part number is among the Top 100 Most Popular Marine Maintenance Parts as of August 2013. |

©2013 Yamaha Motor Corporation, U.S.A. All rights reserved.

150ETLK 1985 / CARBURETOR



©2013 Yamaha Motor Corporation, U.S.A. All rights reserved.

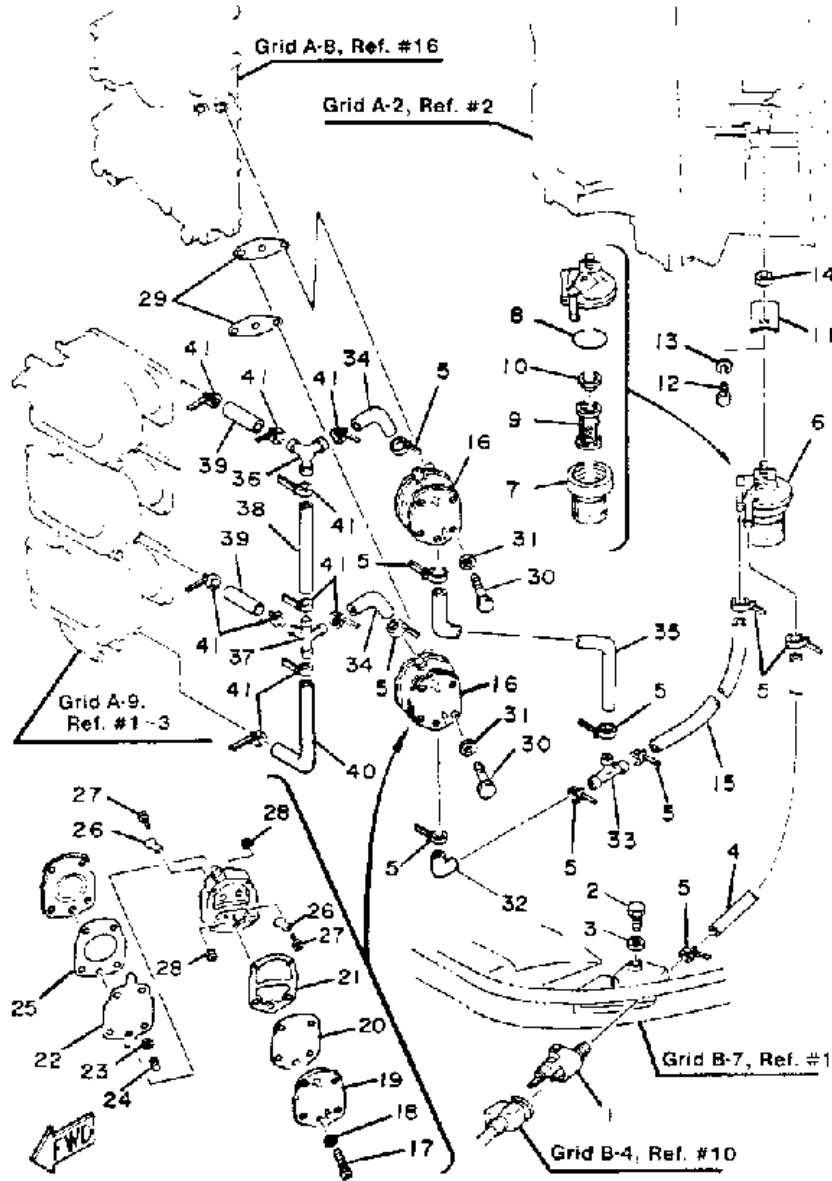


## Part List

150ETLK 1985 / CARBURETOR

| REF - NO | PART NUMBER     | PART NAME                         | QUANTITY | REMARKS                   |
|----------|-----------------|-----------------------------------|----------|---------------------------|
| 1        | 6G4-14301-02-00 | CARBURETOR (UPPER)<br>(UPPER)     | 1        | U.R.150 MODEL             |
| 1        | 6G5-14301-02-00 | CARBURETOR (UPPER)<br>(UPPER)     | 1        | U.R.175 MODEL (NOT SHOWN) |
| 1        | 6G6-14301-02-00 | CARBURETOR (UPPER)<br>(UPPER)     | 1        | U.R.200 MODEL             |
| 2        | 6G5-14302-02-00 | CARBURETOR (CENTER)<br>(CENTER)   | 1        | U.R.175 MODEL (NOT SHOWN) |
| 2        | 6G5-14302-02-00 | CARBURETOR (CENTER)<br>(CENTER)   | 1        | U.R.200 MODEL (NOT SHOWN) |
| 2        | 6G4-14302-02-00 | CARBURETOR (CENTER)<br>(CENTER)   | 1        | U.R.150 MODEL             |
| 3        | 6G5-14303-02-00 | CARBURETOR (LOWER)<br>(LOWER) 001 | 1        | MODEL (NOT SHOWN)         |
| 3        | 6G5-14303-02-00 | CARBURETOR (LOWER)<br>(LOWER) 001 | 1        | MODEL (NOT SHOWN)         |
| 3        | 6G4-14303-02-00 | CARBURETOR (LOWER)<br>(LOWER)     | 1        | U.R.150 MODEL             |
| 3        | 6G5-14303-02-00 | CARBURETOR (LOWER)<br>(LOWER) 001 | 1        | U.R.175 MODEL (NOT SHOWN) |
| 4        | 6G4-14381-01-00 | .BODY, FLOAT CHAMBER              | 3        |                           |
| 5        | 98580-05018-00  | .SCREW, PAN HEAD                  | 12       |                           |
| 6        | 6E5-14384-02-00 | .GASKET, FLOAT CHAMBER            | 3        |                           |
| 7        | 6G4-14385-00-00 | .FLOAT ASSEMBLY                   | 3        |                           |
| 8        | 6E5-14386-01-00 | .PIN, FLOAT                       | 3        |                           |
| 9        | 6G5-14341-01-00 | .NOZZLE, MAIN                     | 6        |                           |
| 10       | 6E5-14343-65-00 | .JET, MAIN (#130) (#130)          | 6        | U.R.150/175 MODEL         |
| 10       | 6E5-14343-80-00 | .JET, MAIN (#160) (#160)          | 6        | U.R.200 MODEL (NOT SHOWN) |
| 11       | 1J2-14398-00-00 | .GASKET                           | 6        |                           |
| 12       | 6G4-14342-44-00 | .JET, PILOT (#88) (#88)           | 6        | U.R.200 MODEL (NOT SHOWN) |
| 12       | 6G4-14342-45-00 | .JET, PILOT 90 (90)               | 6        | U.R.150/175 MODEL         |
| 13       | 6G4-14390-17-00 | .VALVE SEAT ASSEMBLY              | 3        |                           |
| 14       | 6E5-14347-25-00 | .JET, AIR SLOW                    | 6        |                           |
| 15       | 6E5-14383-00-00 | .SCREW, DRAIN                     | 3        |                           |
| 16       | 6E5-14398-00-00 | .GASKET                           | 3        |                           |
| 17       | 650-14321-00-00 | .SCREW, THROTTLE (UPPER)          | 1        |                           |
| 18       | 647-14334-00-00 | .SPRING                           | 1        |                           |
| 19       | 6F5-14323-01-00 | .SCREW, AIR ADJUSTING             | 6        |                           |
| 20       | 650-14223-00-00 | .SPRING, DRAIN VALVE              | 6        |                           |
| 21       | 682-41291-00-00 | .BUSHING                          | 1        |                           |
| 22       | 617-24565-00-00 | .GASKET                           | 6        |                           |
| 23       | 6G5-14328-00-00 | .SCREW, PILOT STOP                | 6        |                           |
| 24       | 367-14195-00-00 | .GASKET                           | 3        |                           |
| 25       | 98901-04010-00  | .SCREW, BIND                      | 3        |                           |
| 26       | 6A4-14394-00-00 | .DRAIN, SCREW                     | 6        |                           |
| 27       | 652-14397-00-00 | .O-RING                           | 6        |                           |
| 28       | 6G5-W0093-02-00 | CARBURETOR REPAIR KIT             | 1        | SEE NOTE                  |

150ETLK 1985 / FUEL SYSTEM



©2013 Yamaha Motor Corporation, U.S.A. All rights reserved.





## Part List

150ETLK 1985 / FUEL SYSTEM

| REF - NO | PART NUMBER     | PART NAME               | QUANTITY | REMARKS |
|----------|-----------------|-------------------------|----------|---------|
| 1        | 6E5-24304-10-00 | FUEL PIPE JOINT COMP. 1 | 1        |         |
| 2        | 97313-06020-00  | BOLT, HEXAGON           | 1        |         |
| 3        | 92990-06600-00  | WASHER, PLATE           | 1        |         |
| 4        | 6G5-24313-00-00 | PIPE 3                  | 1        |         |
| 5        | 90465-11M10-00  | CLAMP                   | 10       |         |
| 6        | 6E5-24560-00-00 | FILTER ASSY             | 1        |         |
| 7        | 655-24521-01-00 | .CUP, FILTER            | 1        |         |
| 8        | 93210-37M25-00  | .O-RING                 | 1        |         |
| 9        | 6F5-24563-00-00 | .ELEMENT, FILTER        | 1        |         |
| 10       | 655-24564-00-00 | .GASKET                 | 1        |         |
| 11       | 648-24566-01-00 | BRACKET, FILTER         | 1        |         |
| 12       | 97313-06014-00  | BOLT, HEXAGON           | 1        |         |
| 13       | 92995-06100-00  | WASHER, SPRING          | 1        |         |
| 14       | 95333-08600-00  | NUT                     | 1        |         |
| 15       | 6G5-24314-00-00 | PIPE 4                  | 1        |         |
| 16       | 6E5-24410-03-00 | FUEL PUMP ASSY          | 2        |         |
| 17       | 98580-05035-00  | .SCREW, PAN HEAD        | 6        |         |
| 18       | 92990-05600-00  | .WASHER, PLATE          | 6        |         |
| 19       | 6E5-24413-00-00 | .BODY 2                 | 2        |         |
| 20       | 6E5-24471-00-00 | .DIAPHRAGM              | 2        |         |
| 21       | 6E5-24435-00-00 | .GASKET, BODY 2         | 2        |         |
| 22       | 6E5-24411-00-00 | .DIAPHRAGM              | 2        |         |
| 23       | 648-24424-00-00 | .SEAT, SPRING           | 2        |         |
| 24       | 6E5-24423-00-00 | .SPRING, DIAPHRAGM      | 2        |         |
| 25       | 6E5-24434-02-00 | .GASKET, BODY           | 2        |         |
| 26       | 6A0-24421-01-00 | .VALVE, CHECK           | 8        |         |
| 27       | 98580-03008-00  | .SCREW, PAN HEAD        | 8        |         |
| 28       | 98813-03100-00  | .NUT                    | 8        |         |
| 29       | 650-24431-A0-00 | GASKET, FUEL PUMP 1     | 2        |         |
| 30       | 97313-06050-00  | BOLT                    | 4        |         |
| 31       | 92990-06600-00  | WASHER, PLATE           | 4        |         |
| 32       | 6E5-24315-00-00 | PIPE 5                  | 1        |         |
| 33       | 6E5-24378-00-00 | PIPE, JOINT 3           | 1        |         |
| 34       | 6E5-24316-00-00 | PIPE 6                  | 2        |         |
| 35       | 6G5-24315-00-00 | PIPE 5                  | 1        |         |
| 36       | 6G5-24376-00-00 | PIPE, JOINT 1           | 1        |         |
| 37       | 6G5-24377-00-00 | PIPE, JOINT 2           | 1        |         |
| 38       | 6G5-24317-01-00 | PIPE 7                  | 1        |         |
| 39       | 6G5-24318-00-00 | PIPE, OVERFLOW          | 2        |         |
| 40       | 6G5-24319-00-00 | PIPE, OIL               | 1        |         |
| 41       | 90465-11M10-00  | CLAMP                   | 10       |         |

## Part Notes

150ETLK 1985 / FUEL SYSTEM

| PART NUMBER     |   | NOTE TEXT   |
|-----------------|---|---|
| 92990-06600-00  |  | OEM: This part number is among the Top 100 Most Popular Marine Maintenance Parts as of August 2013. |
| 92995-06100-00  |  | OEM: This part number is among the Top 100 Most Popular Marine Maintenance Parts as of August 2013. |
| 6E5-24410-03-00 |  | OEM: This part number is among the Top 100 Most Popular Marine Maintenance Parts as of August 2013. |
| 650-24431-A0-00 |  | OEM: This part number is among the Top 100 Most Popular Marine Maintenance Parts as of August 2013. |
| 92990-06600-00  |   | OEM: This part number is among the Top 100 Most Popular Marine Maintenance Parts as of August 2013. |



©2013 Yamaha Motor Corporation, U.S.A. All rights reserved.

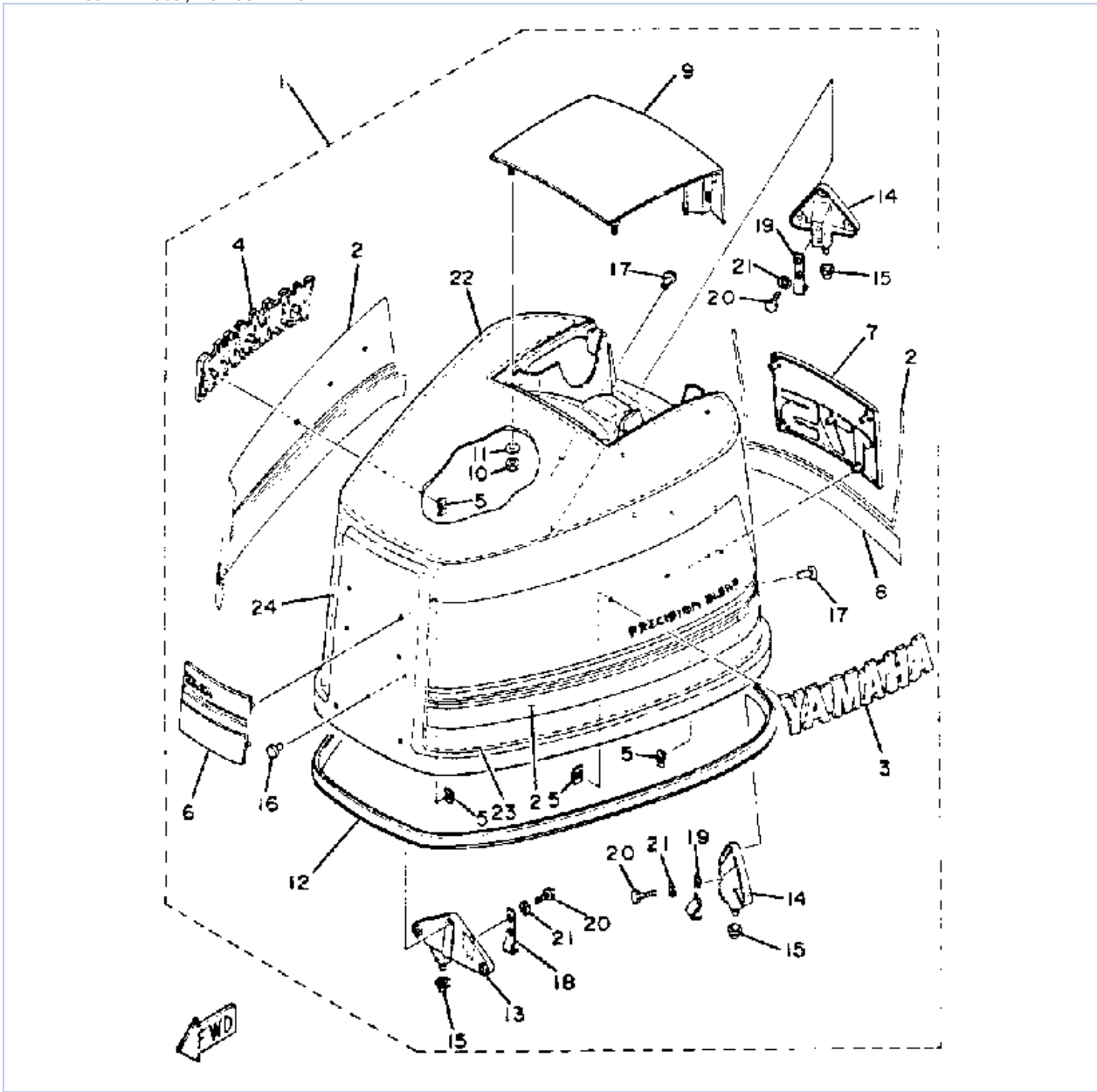


## Part List

150ETLK 1985 / FUEL TANK

| REF<br>-<br>NO | PART<br>NUMBER  | PART NAME               | QUANTITY | REMARKS |
|----------------|-----------------|-------------------------|----------|---------|
| 1              | 6Y1-W2420-42-24 | FUEL TANK ASSEMBLY      | 1        |         |
| 2              | 6Y1-24244-20-00 | .GRAPHIC, SIDE          | 1        |         |
| 3              | 6Y1-24256-50-00 | .GRAPHIC, FUEL TANK     | 1        |         |
| 4              | 6Y1-24610-00-00 | .CAP ASSEMBLY           | 1        |         |
| 5              | 6Y1-24260-02-00 | .FUEL METER ASSEMBLY    | 1        |         |
| 6              | 6Y1-24268-00-00 | .GASKET, FUEL METER     | 1        |         |
| 7              | 6Y1-24329-00-00 | .SEAL                   | 4        |         |
| 8              | 98586-05016-00  | .SCREW, PAN HEAD        | 4        |         |
| 9              | 6Y2-24306-51-00 | FUEL PIPE COMP 1        | 1        |         |
| 10             | 6E5-24305-02-00 | .FUEL PIPE JOINT COMP 2 | 1        |         |
| 11             | 93210-08287-00  | ..O-RING                | 1        |         |
| 12             | 6Y2-24305-02-00 | .FUEL PIPE JOINT COMP 2 | 1        |         |
| 13             | 93210-08287-00  | ..O-RING                | 1        |         |
| 14             | 90445-13M33-00  | .HOSE (8-13-1900MM)     | 1        |         |
| 15             | 6E5-24351-51-00 | .BAND 1                 | 4        |         |
| 16             | 90445-13M34-00  | .HOSE (8-13-1000MM)     | 1        |         |
| 17             | 6Y2-24360-51-00 | .PRIMER PUMP ASSY       | 1        |         |

150ETLK 1985 / TOP COWLING



©2013 Yamaha Motor Corporation, U.S.A. All rights reserved.



## Part List

150ETLK 1985 / TOP COWLING

| REF - NO | PART NUMBER     | PART NAME                       | QUANTITY | REMARKS                   |
|----------|-----------------|---------------------------------|----------|---------------------------|
| 1        | 6G4-42610-41-EK | TOP COWLING ASSY                | 1        | U.R.150 MODEL (NOT SHOWN) |
| 1        | 6G6-42610-41-EK | TOP COWLING ASSY                | 1        | U.R.200 MODEL (NOT SHOWN) |
| 1        | 6G5-42610-41-EK | TOP COWLING ASSY                | 1        | U.R.175 MODEL             |
| 2        | 6G5-W0070-41-00 | .GRAPHIC SET                    | 1        |                           |
| 3        | 6G5-42681-00-00 | .MARK, COWLING                  | 1        |                           |
| 4        | 6G5-42682-00-00 | .MARK, COWLING                  | 1        |                           |
| 5        | 90183-05M01-00  | .NUT, SPRING                    | 15       |                           |
| 6        | 6G5-42686-00-00 | .EMBLEM, FRONT                  | 1        |                           |
| 7        | 6G6-42687-00-00 | .EMBLEM, REAR                   | 1        | U.R.200 MODEL (NOT SHOWN) |
| 7        | 6G5-42687-00-00 | .EMBLEM, REAR                   | 1        | U.R.175 MODEL             |
| 7        | 6G4-42687-00-00 | .EMBLEM, REAR                   | 1        | U.R.150 MODEL (NOT SHOWN) |
| 8        | 6G5-42678-20-00 | .GRAPHIC, REAR                  | 1        |                           |
| 9        | 6G5-42613-00-EK | .MOLDING, AIR DUCT              | 1        |                           |
| 10       | 95380-06600-00  | .NUT, HEXAGON                   | 4        |                           |
| 11       | 92990-06600-00  | .WASHER, PLATE                  | 4        |                           |
| 12       | 6E5-42615-00-00 | .SEAL                           | 1        |                           |
| 13       | 6E5-42647-00-94 | .HOLDER, CLAMP BAND             | 1        |                           |
| 14       | 6E5-42649-01-94 | .HOLDER, CLAMP BAND             | 2        |                           |
| 15       | 663-42662-00-00 | .DAMPER                         | 3        |                           |
| 16       | 90266-06M02-00  | .RIVET                          | 3        |                           |
| 17       | 90266-06M02-00  | .RIVET                          | 6        |                           |
| 18       | 688-42652-10-00 | .HOOK                           | 1        |                           |
| 19       | 6E5-42652-00-00 | .HOOK                           | 2        |                           |
| 20       | 97395-06016-00  | .BOLT                           | 6        |                           |
| 21       | 92990-06600-00  | .WASHER, PLATE                  | 6        |                           |
| 22       | 6E5-42617-00-00 | .DAMPER, FORM                   | 1        |                           |
| 23       | 689-W4266-50-00 | .DAMPER, FORM (6G5-42619-00-00) | 1        |                           |
| 24       | 689-W4266-50-00 | .DAMPER, FORM (6G5-42619-00-00) | 1        |                           |

## Part Notes

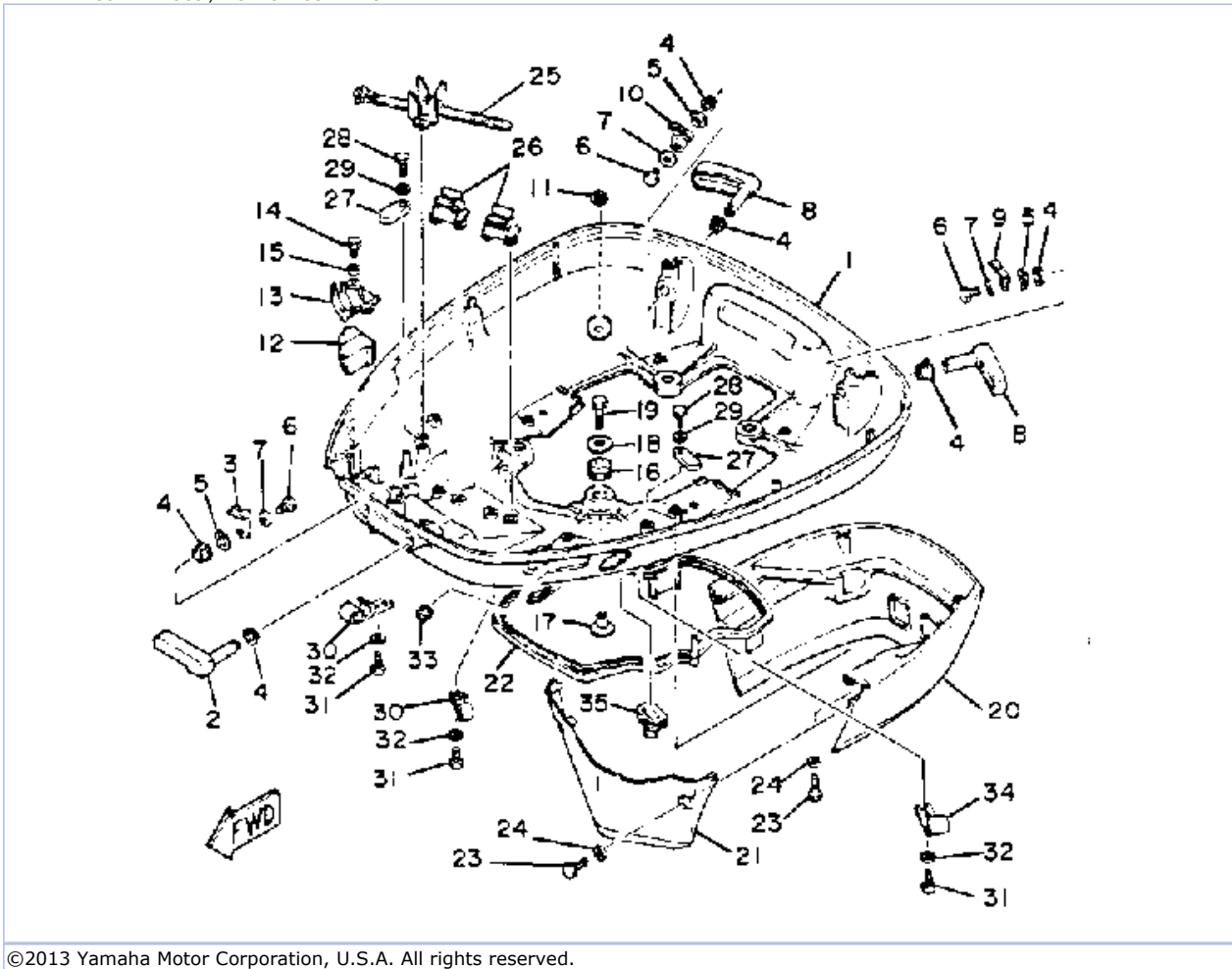
150ETLK 1985 / TOP COWLING

| PART NUMBER    |   | NOTE TEXT   |
|----------------|---|---|
| 92990-06600-00 |  | OEM: This part number is among the Top 100 Most Popular Marine Maintenance Parts as of August 2013. |
| 92990-06600-00 |  | OEM: This part number is among the Top 100 Most Popular Marine Maintenance Parts as of August 2013. |

©2013 Yamaha Motor Corporation, U.S.A. All rights reserved.



150ETLK 1985 / BOTTOM COWLING



©2013 Yamaha Motor Corporation, U.S.A. All rights reserved.





## Part List

150ETLK 1985 / BOTTOM COWLING

| REF - NO | PART NUMBER     | PART NAME          | QUANTITY | REMARKS |
|----------|-----------------|--------------------|----------|---------|
| 1        | 6E5-W4271-41-EK | COWLING, BOTTOM    | 1        |         |
| 2        | 688-42815-00-EK | LEVER, CLAMP       | 1        |         |
| 3        | 688-42816-00-00 | LEVER, CLAMP       | 1        |         |
| 4        | 90386-13M38-00  | BUSH               | 6        |         |
| 5        | 90206-13M10-00  | WASHER, WAVE       | 3        |         |
| 6        | 97395-06012-00  | BOLT               | 3        |         |
| 7        | 90201-06M02-00  | WASHER, PLATE      | 3        |         |
| 8        | 6E5-42817-00-EK | LEVER, CLAMP 3     | 2        |         |
| 9        | 6G5-42816-00-00 | LEVER, CLAMP       | 1        |         |
| 10       | 6E5-42816-01-00 | LEVER, CLAMP       | 1        |         |
| 11       | 6E5-44391-00-00 | NIPPLE, HOSE       | 1        |         |
| 12       | 6E5-42725-11-00 | GROMMET            | 1        |         |
| 13       | 6E5-42738-00-5B | PLATE, FITTING     | 1        |         |
| 14       | 97313-06016-00  | BOLT, HEXAGON      | 2        |         |
| 15       | 92990-06600-00  | WASHER, PLATE      | 2        |         |
| 16       | 90480-22M15-00  | GROMMET            | 4        |         |
| 17       | 90387-08M37-00  | COLLAR             | 4        |         |
| 18       | 90201-08M54-00  | WASHER, PLATE      | 4        |         |
| 19       | 97090-08035-00  | BOLT               | 4        |         |
| 20       | 6E5-42741-00-EK | APRON              | 1        |         |
| 21       | 6E5-42771-00-EK | APRON              | 1        |         |
| 22       | 6E5-42716-00-00 | RUBBER, SEAL 1     | 1        |         |
| 23       | 97395-06020-00  | BOLT, HEXAGON      | 6        |         |
| 24       | 92990-06600-00  | WASHER, PLATE      | 6        |         |
| 25       | 688-82594-00-00 | CLAMP              | 1        |         |
| 26       | 6E5-82594-00-00 | CLAMP              | 2        |         |
| 27       | 6E5-82588-00-00 | PLATE              | 2        |         |
| 28       | 97313-06020-00  | BOLT, HEXAGON      | 2        |         |
| 29       | 92990-06600-00  | WASHER, PLATE      | 2        |         |
| 30       | 6E5-24367-01-00 | CLAMP, FUEL PIPE 2 | 2        |         |
| 31       | 90157-06M01-00  | SCREW, PAN HEAD    | 3        |         |
| 32       | 92990-06600-00  | WASHER, PLATE      | 3        |         |
| 33       | 90480-13M24-00  | GROMMET            | 1        |         |
| 34       | 6E5-24367-10-00 | CLAMP, FUEL PIPE 2 | 1        |         |
| 35       | 688-42726-10-00 | GROMMET            | 1        |         |

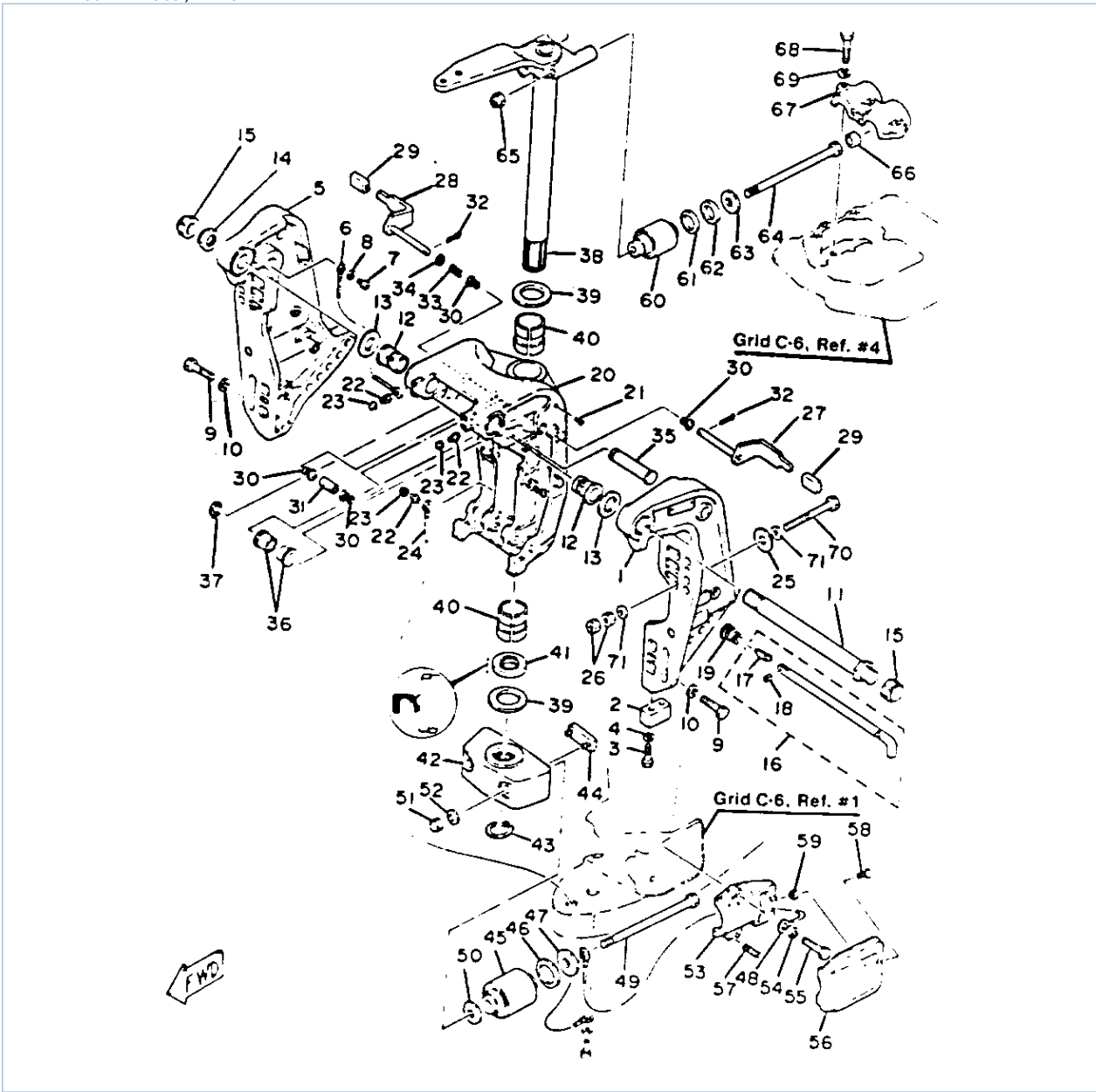
## Part Notes

150ETLK 1985 / BOTTOM COWLING

| PART NUMBER    | NOTE TEXT   |
|----------------|---|
| 92990-06600-00 |  OEM: This part number is among the Top 100 Most Popular Marine Maintenance Parts as of August 2013. |
| 92990-06600-00 |  OEM: This part number is among the Top 100 Most Popular Marine Maintenance Parts as of August 2013. |
| 92990-06600-00 |  OEM: This part number is among the Top 100 Most Popular Marine Maintenance Parts as of August 2013. |
| 92990-06600-00 |  OEM: This part number is among the Top 100 Most Popular Marine Maintenance Parts as of August 2013. |

©2013 Yamaha Motor Corporation, U.S.A. All rights reserved.

150ETLK 1985 / BRACKET 1



©2013 Yamaha Motor Corporation, U.S.A. All rights reserved.

## Part List





150ETLK 1985 / BRACKET 1

| REF<br>-<br>NO | PART<br>NUMBER  | PART NAME                                  | QUANTITY | REMARKS                     |
|----------------|-----------------|--|----------|-----------------------------|
| 1              | 6E5-43111-01-EK | BRACKET, CLAMP                             | 1        |                             |
| 2              | 6E5-45251-00-00 | ANODE                                      | 1        |                             |
| 3              | 97395-06025-00  | BOLT                                       | 2        |                             |
| 4              | 92990-06600-00  | WASHER, PLATE                              | 2        |                             |
| 5              | 6E5-43112-01-EK | BRACKET, CLAMP                             | 1        |                             |
| 6              | 6E5-82148-00-00 | WIRE, LEAD 4                               | 1        |                             |
| 7              | 97890-06012-00  | SCREW, PAN HEAD                            | 1        |                             |
| 8              | 92990-06600-00  | WASHER, PLATE                              | 1        |                             |
| 9              | 97395-10045-00  | BOLT                                       | 6        |                             |
| 10             | 92990-10100-00  | WASHER, SPRING                             | 6        |                             |
| 11             | 6E5-43131-01-00 | BOLT, CLAMP BRACKET                        | 1        |                             |
| 12             | 90386-25M31-00  | BUSH                                       | 2        |                             |
| 13             | 90201-26M59-00  | WASHER, PLATE                              | 2        |                             |
| 14             | 90185-22043-00  | NUT, SELF-LOCKING                          | 1        |                             |
| 15             | 6G5-43145-00-00 | CAP, CLAMP BRACKET                         | 2        |                             |
| 16             | 6E5-43160-10-00 | TILT ROD ASSEMBLY                          | 1        |                             |
| 17             | 688-43165-00-00 | .PLATE, TILT LOCK                          | 1        |                             |
| 18             | 91690-30014-00  | .PIN, SPRING                               | 1        |                             |
| 19             | 90502-20M03-00  | SPRING, CONICAL                            | 1        |                             |
| 20             | 6E5-43311-02-EK | BRACKET, SWIVEL                            | 1        | U.R. LONG                   |
| 20             | 6E5-43311-21-EK | BRACKET, SWIVEL                            | 1        | UR ULTRA LONG (NOT SHOWN)   |
| 21             | 90269-03010-00  | RIVET                                      | 1        |                             |
| 22             | 93700-06M03-00  | NIPPLE, GREASE                             | 3        |                             |
| 23             | 663-45119-00-00 | CAP, GREASE NIPPLE                         | 3        |                             |
| 24             | 6E5-82147-00-00 | WIRE, LEAD 5                               | 1        | U.R. LONG                   |
| 24             | 6E5-82147-20-00 | WIRE, LEAD 5                               | 1        | UR ULTRA LONG (NOT SHOWN)   |
| 25             | 90201-12426-00  | WASHER, PLATE                              | 4        |                             |
| 26             | 95380-12600-00  | NUT  | 8        |                             |
| 27             | 6E5-43181-01-00 | LEVER, TILT STOP (6E5-43181-00-00)         | 1        |                             |
| 28             | 98580-06016-00  | SCREW, PAN HEAD                            | 2        |                             |
| 28             | 6E5-43185-01-00 | LEVER, TILT STOP (6E5-43185-00-00)         | 1        |                             |
| 29             | 663-43318-00-00 | COVER                                      | 2        |                             |
| 30             | 90386-10M16-00  | BUSH                                       | 4        |                             |
| 31             | 90387-10M38-00  | COLLAR                                     | 1        |                             |
| 32             | 91490-30030-00  | PIN, COTTER                                | 2        |                             |
| 33             | 90501-10M21-00  | SPRING, COMPRESSION                        | 1        |                             |
| 34             | 92990-10600-00  | WASHER, PLATE                              | 1        |                             |
| 35             | 6E5-43126-02-00 | PIN, UPPER SHOCK MOUNT                     | 1        |                             |
| 36             | 90386-18M44-00  | BUSH                                       | 2        |                             |
| 37             | 93410-18M02-00  | CIRCLIP                                    | 1        |                             |
| 38             | 6E5-42510-01-EK | STEERING BRACKET ASSY<br>(6E5-42510-00-EK) | 1        | U.R. LONG                   |
| 38             | 6E5-42510-21-EK | STEERING BRACKET ASSY<br>(6E5-42510-20-EK) | 1        | U.R. ULTRA LONG (NOT SHOWN) |
| 39             | 90201-38M60-00  | WASHER, PLATE                              | 2        |                             |
| 40             | 90386-38M32-00  | BUSH                                       | 2        |                             |
| 41             | 93109-38M02-00  | OIL SEAL                                   | 1        |                             |
| 42             | 99999-01871-00  | HOUSING, LOWER MOUNT<br>(6E5-44551-00-EK)  | 1        |                             |
| 42             | 6G5-44551-00-EK | .HOUSING, LOWER MOUNT                      | 1        |                             |
| 42             | 90109-14M34-00  | .BOLT                                      | 2        |                             |
| 43             | 93410-37M04-00  | CIRCLIP                                    | 1        |                             |
| 44             | 6E5-44575-00-00 | DAMPER, LOWER MOUNT                        | 1        |                             |

|    |                 |                             |   |  |
|----|-----------------|-----------------------------|---|--|
|    |                 | RUBBER                      |   |  |
| 45 | 6G5-44555-00-94 | MOUNT DAMPER, LOWER SIDE    | 2 |  |
| 46 | 90202-32M19-00  | WASHER, PLATE               | 2 |  |
| 47 | 90201-16M55-00  | WASHER, PLATE               | 2 |  |
| 48 | 6E5-82149-00-00 | WIRE, LEAD 3                | 1 |  |
| 49 | 90109-14M10-00  | BOLT                        | 2 |  |
| 50 | 90201-15M58-00  | WASHER, PLATE               | 2 |  |
| 51 | 95380-14800-00  | NUT                         | 2 |  |
| 52 | 92990-14600-00  | WASHER                      | 2 |  |
| 53 | 6E5-44552-00-94 | HOUSING, LOWER MOUNT RUBBER | 2 |  |
| 54 | 92990-10100-00  | WASHER, SPRING              | 4 |  |
| 55 | 97395-10045-00  | BOLT                        | 4 |  |
| 56 | 6E5-44553-00-EK | COVER, LOWER MOUNT          | 2 |  |
| 57 | 90501-16M28-00  | SPRING, COMPRESSION         | 4 |  |
| 59 | 90179-06066-00  | NUT                         | 2 |  |
| 60 | 6G5-44514-00-94 | MOUNT DAMPER, UPPER SIDE    | 2 |  |
| 61 | 90201-26M57-00  | WASHER, PLATE               | 2 |  |
| 62 | 90202-26M18-00  | WASHER, PLATE               | 2 |  |
| 63 | 90201-14M56-00  | WASHER, PLATE               | 2 |  |
| 64 | 90109-12M37-00  | BOLT                        | 2 |  |
| 65 | 90185-12058-00  | NUT, SELF-LOCKING           | 2 |  |
| 66 | 663-44575-00-00 | DAMPER, LOWER MOUNT RUBBER  | 2 |  |
| 67 | 6E5-44511-00-5B | COVER, UPPER MOUNT          | 1 |  |
| 68 | 97395-10045-00  | BOLT                        | 3 |  |
| 69 | 92990-10100-00  | WASHER, SPRING              | 3 |  |
| 70 | 90101-12M65-00  | BOLT                        | 4 |  |
| 71 | 92990-12200-00  | WASHER, PLAIN               | 8 |  |

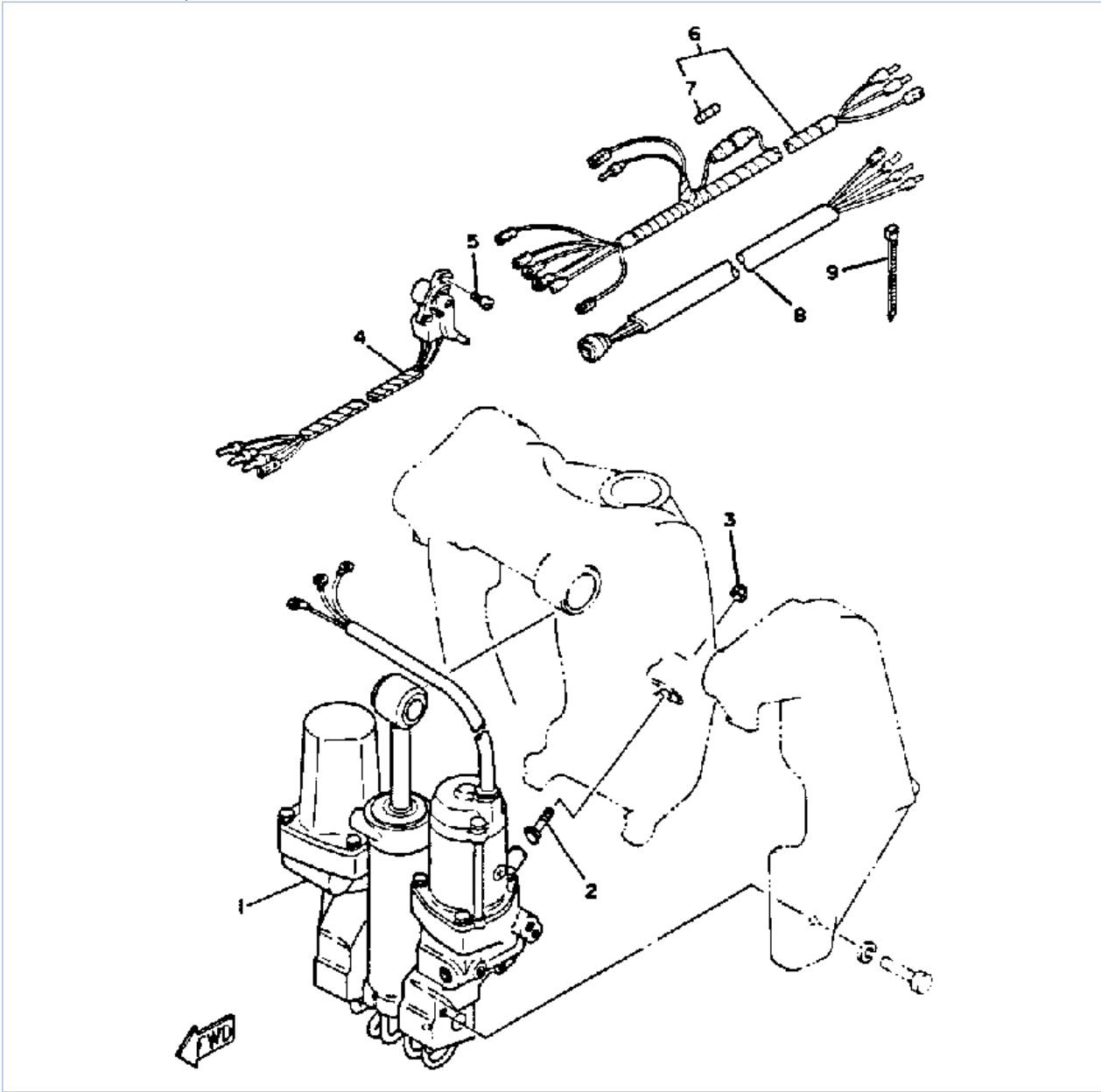
## Part Notes

150ETLK 1985 / BRACKET 1

| PART NUMBER    |   | NOTE TEXT   |
|----------------|---|---|
| 92990-06600-00 |  | OEM: This part number is among the Top 100 Most Popular Marine Maintenance Parts as of August 2013. |
| 92990-06600-00 |  | OEM: This part number is among the Top 100 Most Popular Marine Maintenance Parts as of August 2013. |
| 93700-06M03-00 |  | OEM: This part number is among the Top 100 Most Popular Marine Maintenance Parts as of August 2013. |
| 92990-10600-00 |  | OEM: This part number is among the Top 100 Most Popular Marine Maintenance Parts as of August 2013. |

©2013 Yamaha Motor Corporation, U.S.A. All rights reserved.

150ETLK 1985 / POWER TRIM TILT SENDER



©2013 Yamaha Motor Corporation, U.S.A. All rights reserved.

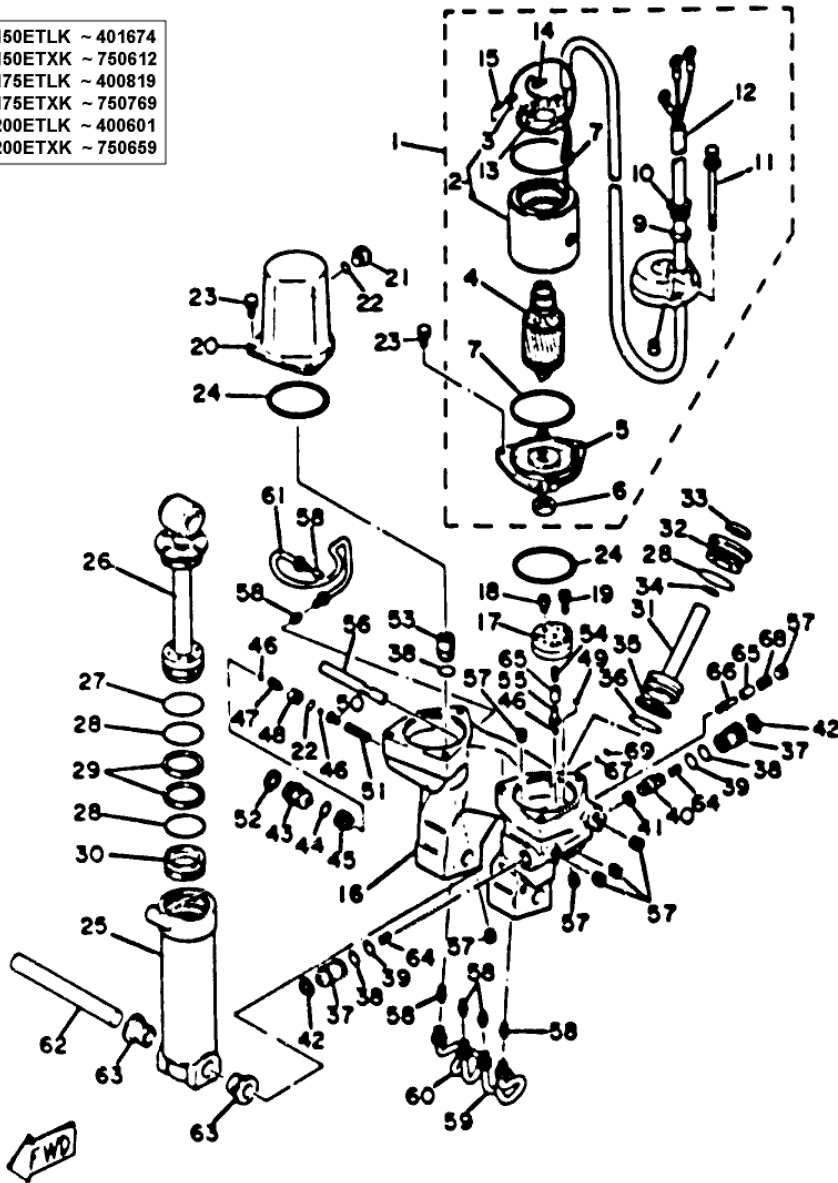
## Part List

150ETLK 1985 / POWER TRIM TILT SENDER

| REF<br>-<br>NO | PART<br>NUMBER  | PART NAME               | QUANTITY | REMARKS |
|----------------|-----------------|-------------------------|----------|---------|
| 1              | 6E5-43800-06-EK | POWER TRIM & TILT ASSY  | 1        |         |
| 2              | 6E5-43376-01-00 | BOLT, THRUST RECEIVER   | 2        |         |
| 3              | 95780-08030-00  | NUT, FLANGE             | 2        |         |
| 4              | 6E5-83672-01-00 | TRIM SENDER             | 1        |         |
| 5              | 98580-06016-00  | SCREW, PAN HEAD         | 2        |         |
| 6              | 688-83553-10-00 | WIRE, LEAD              | 1        |         |
| 7              | 1E6-82151-00-00 | .FUZE (10A)             | 1        |         |
| 8              | 6E5-82553-10-00 | EXTENSION, WIRE HARNESS | 1        |         |
| 8              | 6E5-82553-20-00 | EXTENSION, WIRE LEAD    | 1        | OPTION  |
| 9              | 90465-11M10-00  | CLAMP                   | 4        |         |

150ETLK 1985 / POWER TRIM TILT ASSY (EARLY STYLE)

- 150ETLK ~ 401674
- 150ETXK ~ 750612
- 175ETLK ~ 400819
- 175ETXK ~ 750769
- 200ETLK ~ 400601
- 200ETXK ~ 750659



9-27-2010

©2013 Yamaha Motor Corporation, U.S.A. All rights reserved.



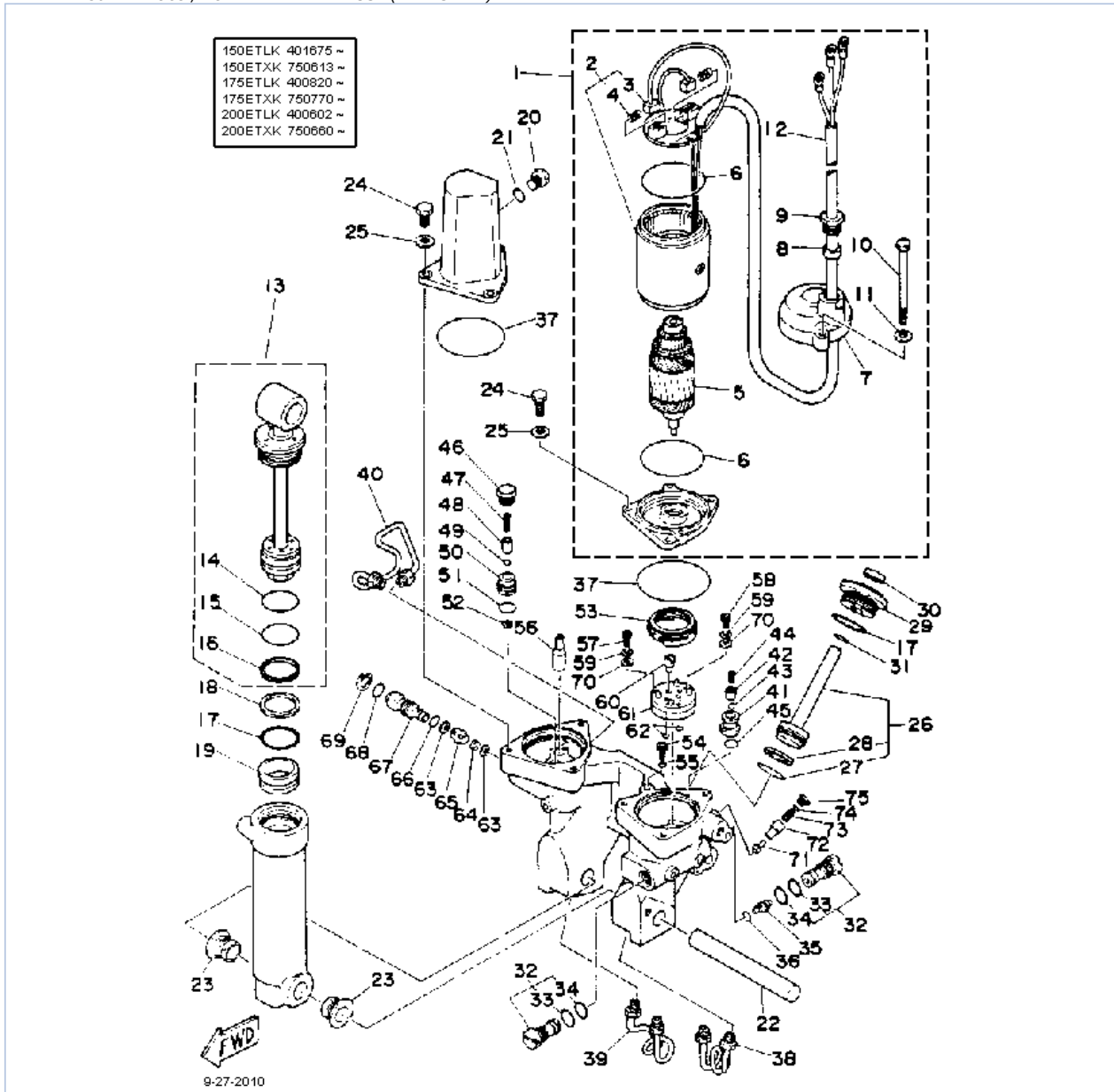
## Part List

150ETLK 1985 / POWER TRIM TILT ASSY (EARLY STYLE)

| REF<br>-<br>NO | PART<br>NUMBER  | PART NAME                      | QUANTITY | REMARKS |
|----------------|-----------------|--------------------------------|----------|---------|
| 1              | 688-43880-10-00 | .MOTOR ASSEMBLY                | 1        |         |
| 2              | 688-43804-01-00 | ..STATOR ASSEMBLY              | 1        |         |
| 3              | 688-43891-01-00 | ..BRUSH 1                      | 1        |         |
| 4              | 688-43805-01-00 | ARMATURE ASSY                  | 1        |         |
| 5              | 688-43881-01-00 | ..FRAME, END                   | 1        |         |
| 6              | 688-43882-00-00 | ..OIL SEAL                     | 1        |         |
| 7              | 688-43883-00-00 | ..O-RING                       | 2        |         |
| 8              | 688-43884-02-00 | ..FRAME, COMMUTATOR            | 1        |         |
| 9              | 688-43885-01-00 | ..GROMMET                      | 1        |         |
| 10             | 688-43886-02-00 | ..BOLT                         | 1        |         |
| 11             | 688-43887-01-00 | ..BOLT                         | 2        |         |
| 12             | 688-43807-10-00 | ..WIRE SUB ASSEMBLY            | 1        |         |
| 13             | 688-43806-01-00 | ..BRUSH HOLDER ASSEMBLY        | 1        |         |
| 14             | 688-43891-01-00 | ..BRUSH 1                      | 1        |         |
| 15             | 90501-05M46-00  | ..SPRING, COMPRESSION          | 1        |         |
| 16             | 6E5-43825-01-00 | .HOUSING, TRIM&TILT            | 1        |         |
| 17             | 688-43830-00-00 | .GEAR PUMP ASSEMBLY            | 1        |         |
| 18             | 688-43831-00-00 | .CONNECTOR, SHAFT              | 1        |         |
| 19             | 688-43878-00-00 | .BOLT, SOCKET                  | 3        |         |
| 20             | 688-43828-00-00 | .BODY, RESERVOIR               | 1        |         |
| 21             | 688-43829-01-00 | .PLUG, RESERVOR                | 1        |         |
| 22             | 688-43869-00-00 | .O-RING                        | 2        |         |
| 23             | 688-43879-00-00 | .SCREW, W/WASHER               | 6        |         |
| 24             | 688-43867-00-00 | .O-RING                        | 2        |         |
| 25             | 6E5-43813-00-00 | .CYLINDER, TILT                | 1        |         |
| 26             | 6E5-43810-01-00 | .PISTON SUB ASSEMBLY<br>(TILT) | 1        |         |
| 27             | 688-43863-00-00 | .O-RING                        | 1        |         |
| 28             | 688-43862-00-00 | .O-RING                        | 4        |         |
| 29             | 688-43872-00-00 | .RING, BACK UP                 | 2        |         |
| 30             | 6E5-43814-00-00 | .PISTON, FREE                  | 1        |         |
| 31             | 6E5-43820-01-00 | .PISTON SUB ASSEMBLY           | 2        |         |
| 32             | 6E5-43821-00-00 | .SCREW, TRIM CYLINDEREND       | 2        |         |
| 33             | 6E5-43822-00-00 | .SEAL, TRIM DUST               | 2        |         |
| 34             | 93210-16275-00  | .O-RING                        | 2        |         |
| 35             | 6E5-43874-00-00 | .RING, BACK-UP                 | 2        |         |
| 36             | 93210-33M41-00  | .O-RING                        | 2        |         |
| 37             | 688-43802-01-00 | .VALVE SUB ASSEMBLY<br>(MAIN)  | 2        |         |
| 38             | 688-43864-00-00 | .O-RING                        | 3        |         |
| 39             | 688-43865-00-00 | .O-RING                        | 2        |         |
| 40             | 6E5-43841-00-00 | .PISTON, SHUTTLE               | 1        |         |
| 41             | 688-43873-00-00 | .RING, BACK UP                 | 1        |         |
| 42             | 688-43876-00-00 | .RING, SNAP                    | 2        |         |
| 43             | 688-43845-00-00 | .SCREW, MANUAL REL             | 1        |         |
| 44             | 688-43866-00-00 | .O-RING                        | 1        |         |
| 45             | 688-43846-00-00 | .SCREW, MANUAL VALVE           | 1        |         |
| 46             | 688-43858-00-00 | .BALL 1                        | 3        |         |
| 47             | 688-43848-00-00 | .ROD, MANUAL RELEASE           | 1        |         |
| 48             | 688-43847-00-00 | .SEAT, MANUAL VALVE            | 1        |         |
| 49             | 688-43868-00-00 | .O-RING                        | 1        |         |
| 50             | 6E5-43849-00-00 | .PIN, VALVE SUPPORT            | 1        |         |
| 51             | 6E5-43854-00-00 | .SRG, MANUAL RELEASE           | 1        |         |
| 52             | 688-43875-00-00 | .RING, SNAP                    | 1        |         |

|    |                 |                                       |   |  |
|----|-----------------|---------------------------------------|---|--|
| 53 | 6E5-43850-00-00 | .VALVE SUB-ASSEMBLY<br>(UPPER RELIEF) | 1 |  |
| 54 | 688-43856-02-00 | .SPRING, DOWN RELIEF                  | 1 |  |
| 55 | 6E5-43844-01-00 | .PIN, VLVSUPPORTK                     | 1 |  |
| 56 | 688-43838-00-00 | PIPE, INTAKE                          | 1 |  |
| 57 | 688-43826-00-00 | .PLUG, TAPER SCREW                    | 7 |  |
| 58 | 688-43832-00-00 | .SEAT, UNION                          | 6 |  |
| 59 | 6E5-43833-00-00 | .PIPE                                 | 1 |  |
| 60 | 6E5-43834-00-00 | .PIPE                                 | 1 |  |
| 61 | 688-43835-09-00 | .PIPE                                 | 1 |  |
| 62 | 6E5-43818-00-00 | .PIN, LOWER SHOCK MOUNT               | 1 |  |
| 63 | 90386-18M14-00  | .BUSH                                 | 2 |  |
| 64 | 6E5-43894-00-00 | .SPRING, SHUTTLE RETURN               | 2 |  |
| 65 | 6E5-83898-00-00 | COLLAR, TENSION                       | 2 |  |
| 66 | 6E5-43823-00-00 | .CHECK VALVE ASSEMBLY                 | 1 |  |
| 67 | 6E5-43877-00-00 | .BALL                                 | 1 |  |
| 68 | 6E5-43824-00-00 | .SPRING                               | 1 |  |
| 69 | 6E5-43827-00-00 | .RING SET                             | 1 |  |

150ETLK 1985 / POWER TRIM TILT ASSY (LATE STYLE)



©2013 Yamaha Motor Corporation, U.S.A. All rights reserved.

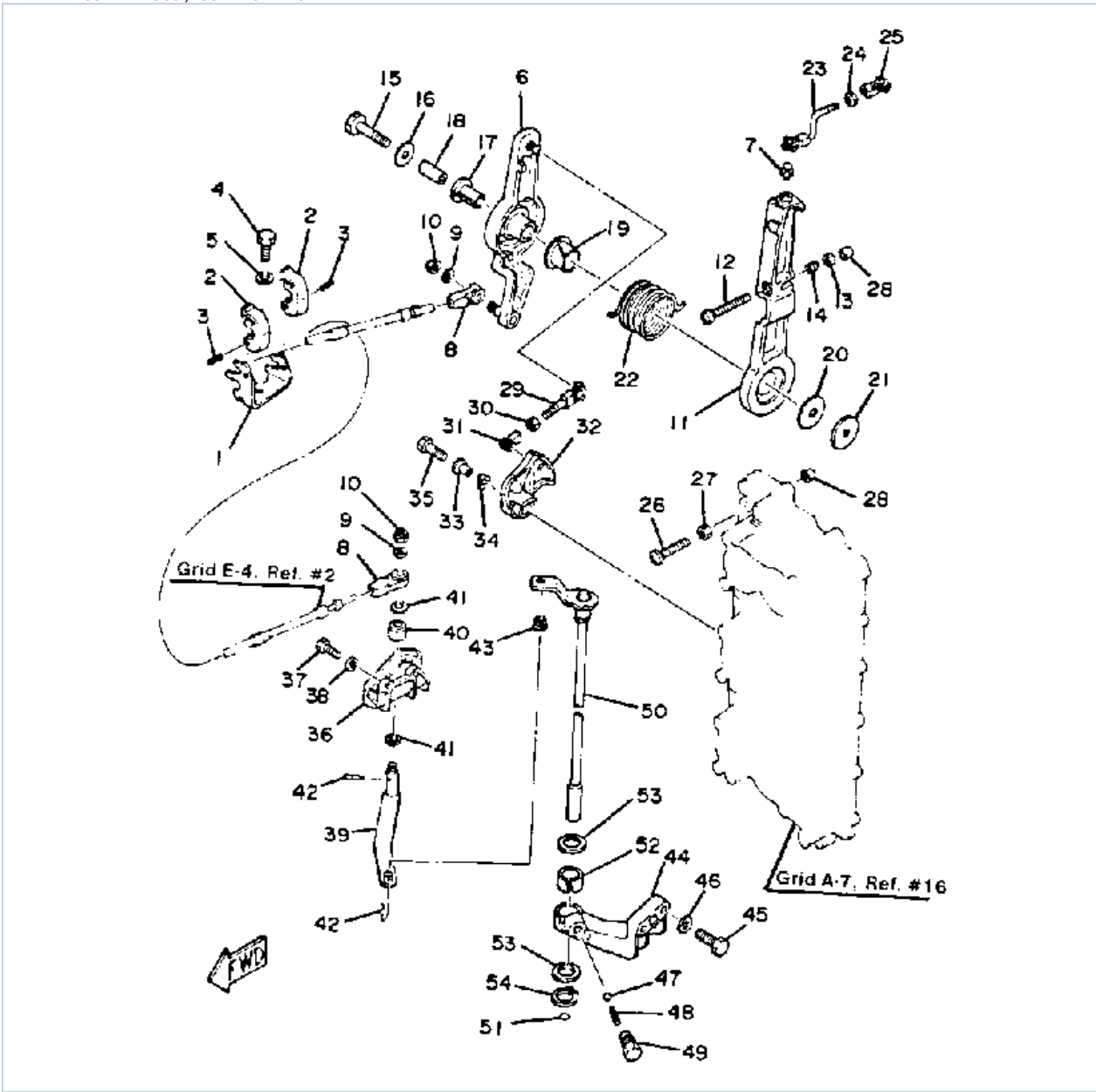
## Part List

150ETLK 1985 / POWER TRIM TILT ASSY (LATE STYLE)

| REF<br>-<br>NO | PART<br>NUMBER    | PART NAME                    | QUANTITY | REMARKS |
|----------------|-------------------|------------------------------|----------|---------|
| 1              | 6E5-43880-01-00   | .MOTOR ASSEMBLY              | 1        |         |
| 2              | 6E5-43804-00-00   | ..STATOR ASSEMBLY            | 1        |         |
| 3              | 6E5-43891-00-00   | ..BRUSH 1                    | 2        |         |
| 4              | 90501-05M54-00    | ..SPRING                     | 2        |         |
| 5              | 6E5-43805-00-00   | ..ARMATURE ASSEMBLY          | 1        |         |
| 6              | 93210-71M76-00    | ..O-RING                     | 2        |         |
| 7              | 6E5-43884-00-00   | ..FRAME, COMMUTATOR END      | 1        |         |
| 8              | 6E5-43885-00-00   | ..GROMMET                    | 1        |         |
| 9              | 6E5-43886-00-00   | ..BOLT                       | 1        |         |
| 10             | 6E5-43887-00-00   | ..BOLT                       | 2        |         |
| 11             | 90201-05M01-00    | ..WASHER                     | 2        |         |
| 12             | 6E5-43807-01-00   | ..WIRE SUB ASSEMBLY          | 1        |         |
| 13             | (6E5-43710-02-00) | PISTON SUB ASSEMBLY          | 1        |         |
| 14             | 6E5-43861-00-00   | ..O-RING                     | 1        |         |
| 15             | 6E5-43862-00-00   | ..O-RING                     | 1        |         |
| 16             | 6E5-43872-00-00   | ..RING, BACK UP              | 1        |         |
| 17             | 6E5-43862-00-00   | .O-RING                      | 3        |         |
| 18             | 6E5-43872-00-00   | .RING, BACK UP               | 1        |         |
| 19             | 6E5-43814-01-00   | .PISTON, FREE                | 1        |         |
| 20             | 6E5-43829-00-00   | .PLUG, RESERVOIR             | 1        |         |
| 21             | 6E5-43863-00-00   | .O-RING                      | 1        |         |
| 22             | 6E5-43818-00-00   | .PIN, LOWER SHOCK MOUNT      | 1        |         |
| 23             | 90386-18M14-00    | .BUSH                        | 2        |         |
| 24             | (90101-06M85-00)  | BOLT                         | 6        |         |
| 25             | 90209-06M09-00    | .WASHER                      | 6        |         |
| 26             | 6E5-43820-02-00   | .PISTON SUB ASSEMBLY         | 2        |         |
| 27             | 6E5-43864-00-00   | ..O-RING                     | 2        |         |
| 28             | 6E5-43874-01-00   | ..RING, BACK UP              | 2        |         |
| 29             | 6E5-43821-01-00   | .SCREW, TRIM CYLINDER<br>END | 2        |         |
| 30             | 6E5-43822-01-00   | .SEAL, TRIM DUST             | 2        |         |
| 31             | 6E5-43865-00-00   | .O-RING                      | 2        |         |
| 32             | 6E5-43802-00-00   | .VALVE SUB ASSEMBLY          | 2        |         |
| 33             | 6E5-43866-00-00   | ..O-RING                     | 2        |         |
| 34             | 6E5-43867-00-00   | ..O-RING                     | 2        |         |
| 35             | 6E5-43841-01-00   | .PISTON, SHUTTLE             | 1        |         |
| 36             | 6E5-43868-00-00   | .O-RING                      | 1        |         |
| 37             | 6E5-43869-00-00   | .O-RING                      | 2        |         |
| 38             | 6E5-43833-01-00   | .PIPE                        | 1        |         |
| 39             | 6E5-43834-01-00   | .PIPE                        | 1        |         |
| 40             | 6E5-43835-01-00   | .PIPE                        | 1        |         |
| 41             | 6E5-43851-01-00   | .SEAT, RELIEF VALVE          | 1        |         |
| 42             | 6E5-43844-02-00   | .PIN, VALVE SUPPORT          | 1        |         |
| 43             | 6E5-43858-00-00   | .BALL                        | 1        |         |
| 44             | 6E5-43856-00-00   | .SPRING, DOWN RELIEF         | 1        |         |
| 45             | 6E5-43883-00-00   | .O-RING                      | 1        |         |
| 46             | 6E5-43843-00-00   | .SCREW, VALVE LOCK           | 1        |         |
| 47             | 6E5-43855-00-00   | .SPRING, UP RELIEF           | 1        |         |
| 48             | 6E5-43859-00-00   | .PIN, VALVE SUPPORT          | 1        |         |
| 49             | 6E5-43877-01-00   | .BALL                        | 1        |         |
| 50             | 6E5-43895-00-00   | .O-RING                      | 1        |         |
| 51             | 6E5-43896-00-00   | .O-RING                      | 1        |         |
| 52             | 6E5-43816-10-00   | .FILTER 1                    | 1        |         |
| 53             | 6E5-43817-10-00   | .FILTER 2                    | 1        |         |

|    |                 |                         |   |  |
|----|-----------------|-------------------------|---|--|
| 54 | 90109-06M21-00  | .BOLT                   | 1 |  |
| 55 | 6E5-43897-00-00 | .O-RING                 | 1 |  |
| 56 | 6E5-43838-00-00 | .PIPE, INTAKE           | 1 |  |
| 57 | 6E5-43878-01-00 | .BOLT, SOCKET           | 2 |  |
| 58 | 6E5-43888-01-00 | .BOLT, SOCKET           | 1 |  |
| 59 | 90209-05M10-00  | .WASHER                 | 3 |  |
| 60 | 6E5-43831-00-00 | .CONNECTOR, SHAFT       | 1 |  |
| 61 | 6E5-43830-00-00 | .GEAR PUMP ASSEMBLY     | 1 |  |
| 62 | 93210-07M78-00  | .O-RING                 | 2 |  |
| 63 | 6E5-43847-00-00 | .SEAT, MANUAL VALVE     | 2 |  |
| 64 | 6E5-43854-01-00 | .SPRING, MANUAL RELEASE | 1 |  |
| 65 | 6E5-4382A-00-00 | .ADAPTER 1              | 1 |  |
| 66 | 93210-10M74-00  | .O-RING                 | 1 |  |
| 67 | 6E5-43845-01-00 | .SCREW, MANUAL RELEASE  | 1 |  |
| 68 | 93210-18M75-00  | .O-RING                 | 1 |  |
| 69 | 6H1-43875-00-00 | .RING, SNAP             | 1 |  |
| 70 | 90201-05M00-00  | .WASHER, PLATE          | 3 |  |
| 71 | 6E5-4381A-00-00 | .SHAFT                  | 1 |  |
| 72 | 6E5-43849-01-00 | .PIN, VALVE SUPPORT     | 1 |  |
| 73 | 6E5-43824-01-00 | .SPRING, COMPRESSION    | 1 |  |
| 74 | 93210-06M77-00  | .O-RING                 | 1 |  |
| 75 | 6E5-43842-00-00 | .SCREW, VALVE SEAT      | 1 |  |

150ETLK 1985 / CONTROL ENGINE



©2013 Yamaha Motor Corporation, U.S.A. All rights reserved.

## Part List

150ETLK 1985 / CONTROL ENGINE

| REF<br>-<br>NO | PART<br>NUMBER  | PART NAME                                   | QUANTITY | REMARKS                     |
|----------------|-----------------|---|----------|-----------------------------|
| 1              | 6E5-48531-00-00 | BRACKET, REMOTE CONTROL<br>1                | 1        |                             |
| 2              | 6E5-48538-00-00 | CLAMP, CABLE                                | 2        |                             |
| 3              | 91690-30012-00  | PIN, SPRING                                 | 2        |                             |
| 4              | 97313-08020-00  | BOLT, HEXAGON                               | 1        |                             |
| 5              | 92990-03100-00  | .WASHER, SPRING                             | 1        |                             |
| 6              | 61H-41632-00-94 | LEVER, MAGNETO CONTROL<br>(6G5-41632-01-94) | 1        |                             |
| 7              | 663-85518-00-00 | JOINT, BALL                                 | 1        |                             |
| 8              | 6E5-48344-00-00 | CABLE END, REMOTE<br>CONTROL                | 2        |                             |
| 9              | 92990-06200-00  | ..WASHER, PLAIN                             | 2        |                             |
| 10             | 90185-06062-00  | NUT, SELF-LOCKING                           | 2        |                             |
| 11             | 6G5-41631-01-94 | LEVER, MAGNETO CONTROL                      | 1        |                             |
| 12             | 90157-06M11-00  | SCREW, PAN HEAD                             | 1        |                             |
| 13             | 95380-06600-00  | NUT, HEXAGON                                | 1        |                             |
| 14             | 90501-16M12-00  | SPRING, COMPRESSION                         | 1        |                             |
| 15             | 97313-08045-00  | BOLT, HEXAGON                               | 1        |                             |
| 16             | 90201-08M54-00  | WASHER, PLATE                               | 1        |                             |
| 17             | 90386-12089-00  | BUSH  | 1        |                             |
| 18             | 90387-08M16-00  | COLLAR                                      | 1        |                             |
| 19             | 90386-22M13-00  | BUSH  | 1        |                             |
| 20             | 90202-12092-00  | WASHER, PLATE                               | 1        |                             |
| 21             | 90201-08M13-00  | WASHER, PLATE                               | 1        |                             |
| 22             | 90508-29M12-00  | SPRING, TORSION                             | 1        |                             |
| 23             | 6G5-41636-01-00 | ROD, MAGNETO CONTROL                        | 1        |                             |
| 24             | 95380-05600-00  | NUT   | 1        |                             |
| 25             | 6H1-41237-00-00 | JOINT, LINK                                 | 1        |                             |
| 26             | 90157-06M13-00  | SCREW, PAN HEAD                             | 1        |                             |
| 27             | 95380-06600-00  | NUT, HEXAGON                                | 1        |                             |
| 28             | 688-44194-00-00 | CAP   | 2        |                             |
| 29             | 6G5-41211-01-00 | LINK, ACCEL.                                | 1        |                             |
| 30             | 95380-05600-00  | NUT   | 1        |                             |
| 31             | 6H1-41237-00-00 | JOINT, LINK                                 | 1        |                             |
| 32             | 6G5-41213-00-00 | CAM, ACCEL.                                 | 1        |                             |
| 33             | 90387-06M29-00  | COLLAR                                      | 1        |                             |
| 34             | 90206-10M04-00  | WASHER, WAVE                                | 1        |                             |
| 35             | 97313-06025-00  | BOLT  | 1        |                             |
| 36             | 6E5-44117-00-94 | BRACKET                                     | 1        |                             |
| 37             | 97313-06020-00  | BOLT, HEXAGON                               | 2        |                             |
| 38             | 92990-06600-00  | WASHER, PLATE                               | 2        |                             |
| 39             | 6E5-44121-00-00 | LEVER, SHIFT ROD                            | 1        |                             |
| 40             | 6E5-44122-00-00 | BUSHING, SHIFT ROD LEVER                    | 1        |                             |
| 41             | 90202-08M20-00  | WASHER, PLATE                               | 2        |                             |
| 42             | 90468-18008-00  | CLIP  | 2        |                             |
| 43             | 90386-06M12-00  | BUSH  | 1        |                             |
| 44             | 6E5-44118-01-94 | BRACKET                                     | 1        |                             |
| 45             | 97313-08030-00  | BOLT  | 2        |                             |
| 46             | 92990-08600-00  | .WASHER, PLATE                              | 2        |                             |
| 47             | 93501-04M02-00  | BALL  | 1        |                             |
| 48             | 90501-12082-00  | SPRING, COMPRESSION                         | 1        |                             |
| 49             | 648-42715-00-00 | BUSHING                                     | 1        |                             |
| 50             | 6E5-44120-02-00 | HANDEL, GEAR SHIFT<br>ASSEMBLY              | 1        | U.R. LONG                   |
| 50             | 6E5-44120-22-00 | HANDEL, GEAR SHIFT                          | 1        | U.R. ULTRA LONG (NOT SHOWN) |

|    |                |               |   |  |
|----|----------------|---------------|---|--|
|    |                | ASSEMBLY      |   |  |
| 51 | 93210-09350-00 | O-RING        | 1 |  |
| 52 | 90386-16M66-00 | BUSH          | 1 |  |
| 53 | 90202-16061-00 | WASHER, PLATE | 2 |  |
| 54 | 99009-16400-00 | CIRCLIP       | 1 |  |

## Part Notes

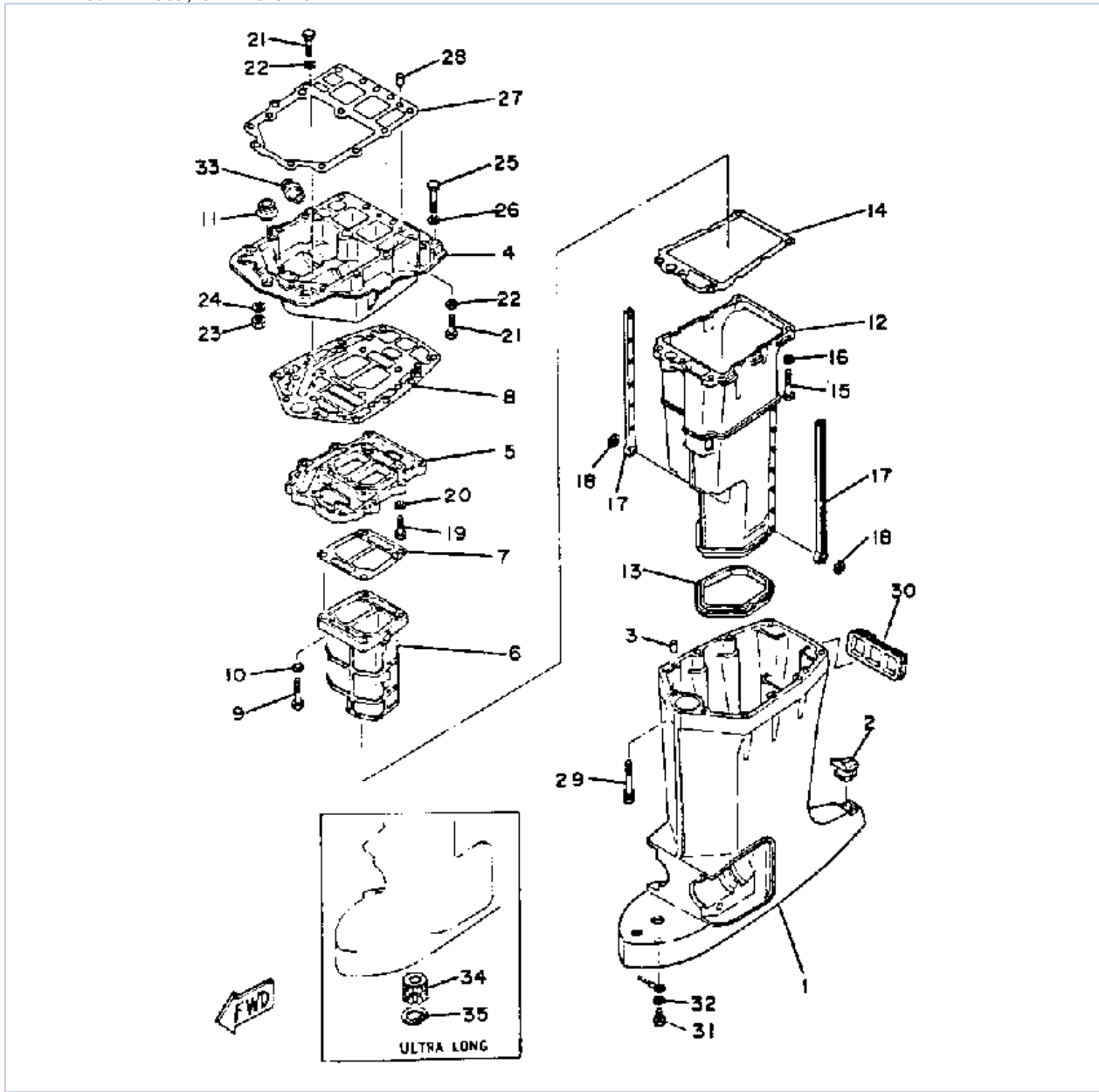
150ETLK 1985 / CONTROL ENGINE

| PART NUMBER     |   | NOTE TEXT   |
|-----------------|---|---|
| 6H1-41237-00-00 |  | OEM: This part number is among the Top 100 Most Popular Marine Maintenance Parts as of August 2013. |
| 6H1-41237-00-00 |  | OEM: This part number is among the Top 100 Most Popular Marine Maintenance Parts as of August 2013. |
| 92990-06600-00  |  | OEM: This part number is among the Top 100 Most Popular Marine Maintenance Parts as of August 2013. |

©2013 Yamaha Motor Corporation, U.S.A. All rights reserved.



150ETLK 1985 / UPPER CASING



©2013 Yamaha Motor Corporation, U.S.A. All rights reserved.


## Part List

150ETLK 1985 / UPPER CASING

| REF - NO | PART NUMBER     | PART NAME                                | QUANTITY | REMARKS                   |
|----------|-----------------|--|----------|---------------------------|
| 1        | 6E5-45111-00-EK | CASING, UPPER                            | 1        | U.R. LONG                 |
| 1        | 6E5-45111-20-EK | CASING, UPPER                            | 1        | UR ULTRA LONG (NOT SHOWN) |
| 2        | 6E5-45155-00-00 | CAP                                      | 1        |                           |
| 3        | 93608-12M05-00  | PIN, DOWEL                               | 2        |                           |
| 4        | 6G5-41137-00-94 | GUIDE, EXHAUST                           | 1        |                           |
| 5        | 6G5-41131-00-5B | MANIFOLD, EXHAUST 1<br>(6G5-41131-00-9M) | 1        |                           |
| 6        | 6G5-41132-00-5B | MANIFOLD, EXHAUST (6G5-<br>41132-00-9M)  | 1        |                           |
| 7        | 6G5-41134-00-00 | GASKET, EXHAUST<br>MANIFOLD              | 1        |                           |
| 8        | 6G5-45114-00-00 | GASKET, UPPER CASING                     | 1        |                           |
| 9        | 97395-08045-00  | BOLT                                     | 4        |                           |
| 10       | 92990-08600-00  | .WASHER, PLATE                           | 4        |                           |
| 11       | 6E5-42724-00-00 | GROMMET                                  | 1        |                           |
| 12       | 6E5-14711-00-5B | MUFFLER 1 (6E5-14711-00-<br>9M)          | 1        |                           |
| 13       | 6E5-45123-00-00 | .GASKET, MUFFLER                         | 1        |                           |
| 14       | 6E5-41135-00-00 | GASKET, EXHAUST<br>MANIFOLD              | 1        |                           |
| 15       | 97395-08045-00  | BOLT                                     | 5        |                           |
| 16       | 92990-08600-00  | .WASHER, PLATE                           | 5        |                           |
| 17       | 6E5-14737-00-00 | DAMPER, MUFFLER                          | 2        |                           |
| 18       | 90183-05M02-00  | NUT, SPRING                              | 2        |                           |
| 19       | 97395-08030-00  | BOLT                                     | 4        |                           |
| 20       | 92990-08600-00  | .WASHER, PLATE                           | 4        |                           |
| 21       | 97395-08030-00  | BOLT                                     | 6        |                           |
| 22       | 92990-08100-00  | WASHER, SPRING                           | 6        |                           |
| 23       | 95380-08700-00  | NUT                                      | 2        |                           |
| 24       | 92990-08100-00  | WASHER, SPRING                           | 2        |                           |
| 25       | 97395-08045-00  | BOLT                                     | 2        |                           |
| 26       | 92990-08100-00  | WASHER, SPRING                           | 2        |                           |
| 27       | 6G5-45113-A0-00 | GASKET, UPPER CASING                     | 1        |                           |
| 28       | 93608-12M05-00  | PIN, DOWEL                               | 2        |                           |
| 29       | 90119-08M78-00  | BOLT, WITH WASHER                        | 6        |                           |
| 30       | 6E5-42769-00-00 | SEAL, RUBBER                             | 1        |                           |
| 31       | 97395-06010-00  | BOLT                                     | 1        |                           |
| 32       | 92990-06600-00  | WASHER, PLATE                            | 1        |                           |
| 33       | 6G5-12581-00-00 | JOINT, HOSE 1                            | 1        |                           |
| 34       | 6E5-45318-00-00 | BUSHING, DRIVE SHAFT                     | 1        | UR ULTRA LONG             |
| 35       | 93420-36M01-00  | CIRCLIP                                  | 1        | UR ULTRA LONG             |

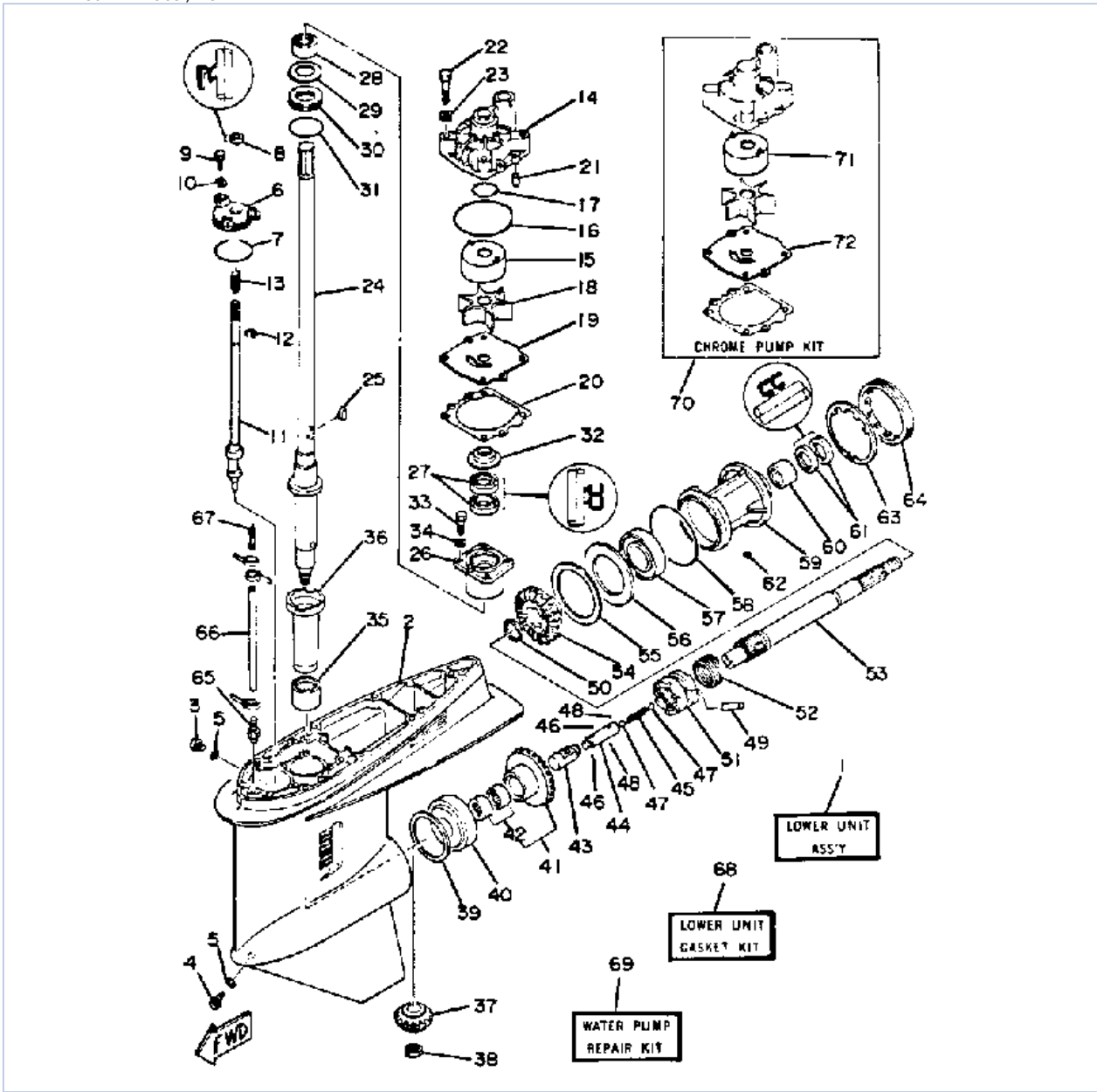
## Part Notes

150ETLK 1985 / UPPER CASING

| PART NUMBER  | NOTE TEXT   |
|--|---|
| 92990-06600-00  | OEM: This part number is among the Top 100 Most Popular Marine Maintenance Parts as of August 2013. |

©2013 Yamaha Motor Corporation, U.S.A. All rights reserved.

150ETLK 1985 / LOWER DRIVE 1



©2013 Yamaha Motor Corporation, U.S.A. All rights reserved.

## Part List







150ETLK 1985 / LOWER DRIVE 1

| REF - NO | PART NUMBER     | PART NAME                             | QUANTITY | REMARKS                     |
|----------|-----------------|---------------------------------------|----------|-----------------------------|
| 1        | 6G5-45300-10-KT | LOWER UNIT KIT (6G5-45300-10-EK)      | 1        | U.R. LONG                   |
| 1        | 6G5-45300-20-EK | LOWER UNIT ASSEMBLY (6G5-45300-20-EK) | 1        | U.R. ULTRA LONG (NOT SHOWN) |
| 2        | 6G5-45301-00-EK | LOWER CASING                          | 1        |                             |
| 3        | 90340-08M04-00  | PLUG, STRAIGHT SCREW                  | 1        |                             |
| 4        | 688-45341-00-00 | PLUG, DRAIN                           | 1        |                             |
| 5        | 90430-08020-00  | .GASKET                               | 2        |                             |
| 6        | 6E5-45321-00-00 | PLATE                                 | 1        |                             |
| 7        | 93210-58677-00  | O-RING                                | 1        |                             |
| 8        | 93106-09014-00  | .OIL SEAL                             | 1        |                             |
| 9        | 97395-06020-00  | BOLT, HEXAGON                         | 3        |                             |
| 10       | 90209-06M04-00  | WASHER                                | 3        |                             |
| 11       | 6G5-44150-01-00 | SHIFT CAM ASSY                        | 1        |                             |
| 12       | 99001-08600-00  | CIRCLIP                               | 1        |                             |
| 13       | 90501-11M10-00  | SPRING, COMPRESSION                   | 1        |                             |
| 14       | 6E5-44311-00-00 | HOUSING, WATER PUMP                   | 1        |                             |
| 15       | 6E5-44322-00-00 | INSERT, CARTRIDGE                     | 1        |                             |
| 16       | 93210-86M38-00  | .O-RING                               | 1        |                             |
| 17       | 93210-37M67-00  | O-RING                                | 1        |                             |
| 18       | 6E5-44352-00-00 | IMPELLER                              | 1        |                             |
| 19       | 6G5-44323-00-00 | .OUTER PLATE, CARTRIDGE               | 1        |                             |
| 20       | 6E5-44315-00-00 | GASKET, WATER PUMP                    | 1        |                             |
| 21       | 93606-12019-00  | .PIN, DOWEL                           | 1        |                             |
| 22       | 97395-08045-00  | BOLT                                  | 4        |                             |
| 23       | 90209-08M02-00  | WASHER                                | 4        |                             |
| 24       | 6G5-45501-01-00 | DRIVE SHAFT COMP.                     | 1        | U.R. LONG                   |
| 24       | 6G5-45501-21-00 | DRIVE SHAFT COMP.                     | 1        | UR ULTRA LONG (NOT SHOWN)   |
| 25       | 90280-04M05-00  | .KEY, WOODRUFF                        | 1        |                             |
| 26       | 6E5-45331-00-94 | HOUSING, BEARING                      | 1        |                             |
| 27       | 93101-28M16-00  | .OIL SEAL                             | 2        |                             |
| 28       | 93317-330U2-00  | BEARING                               | 1        |                             |
| 29       | 6E5-45587-00-05 | SHIM 3                                | 1        | U.R.                        |
| 29       | 6E5-45587-00-08 | SHIM 3                                | 1        | U.R.                        |
| 29       | 6E5-45587-01-12 | SHIM (T:0.12MM)                       | 1        | U.R.                        |
| 29       | 6E5-45587-01-30 | SHIM (T:0.30MM)                       | 1        | U.R.                        |
| 29       | 6E5-45587-01-50 | SHIM (T:0.50MM)                       | 1        | U.R.                        |
| 30       | 93341-930U0-00  | BEARING, THRUST                       | 1        |                             |
| 31       | 93210-54534-00  | O-RING                                | 1        |                             |
| 32       | 6E5-45344-00-00 | COVER, OIL SEAL                       | 1        |                             |
| 33       | 97395-08025-00  | BOLT                                  | 4        |                             |
| 34       | 92990-08600-00  | .WASHER, PLATE                        | 4        |                             |
| 35       | 93311-928U5-00  | BEARING                               | 1        |                             |
| 36       | 6E5-45536-00-00 | SLEEVE, DRIVE SHAFT                   | 1        |                             |
| 37       | 6G5-45551-01-00 | PINION (14T)                          | 1        |                             |
| 38       | 90170-16M01-00  | NUT                                   | 1        |                             |
| 39       | 6G5-45567-00-05 | SHIM                                  | 1        | U.R.                        |
| 39       | 6G5-45567-00-08 | SHIM                                  | 1        | U.R.                        |
| 39       | 6G5-45567-01-12 | SHIM (T:0.12MM)                       | 1        | U.R.                        |
| 39       | 6G5-45567-01-30 | SHIM (T:0.30MM)                       | 1        | U.R.                        |
| 39       | 6G5-45567-01-50 | SHIM (T:0.50MM)                       | 1        | U.R.                        |
| 40       | 93332-000V3-00  | BEARING                               | 1        |                             |
| 41       | 6G5-45560-01-00 | GEAR 1 (26T)                          | 1        |                             |
| 42       | 93315-425V3-00  | .BEARING                              | 1        |                             |

|    |                 |                         |   |                           |
|----|-----------------|-------------------------|---|---------------------------|
| 43 | 6E5-45641-01-00 | SHIFTER                 | 1 |                           |
| 44 | 6E5-45634-01-00 | SLIDE, SHIFT            | 1 |                           |
| 45 | 90501-16M37-00  | SPRING, COMPRESSION     | 1 |                           |
| 46 | 93507-32031-00  | BALL 7-32               | 2 |                           |
| 47 | 93511-32027-00  | BALL                    | 2 |                           |
| 48 | 93503-16010-00  | BALL 3-16               | 2 |                           |
| 49 | 90250-08M07-00  | PIN, STRAIGHT           | 1 |                           |
| 50 | 90201-30M92-00  | WASHER, PLATE           | 1 |                           |
| 51 | 6G5-45631-00-00 | CLUTCH, DOG             | 1 |                           |
| 52 | 6E5-45633-01-00 | RING, CROSS PIN         | 1 |                           |
| 53 | 6E5-45611-01-00 | SHAFT, PROPELLER        | 1 |                           |
| 54 | 6G5-45571-01-00 | GEAR 2                  | 1 |                           |
| 55 | 6E5-45577-00-05 | SHIM (0.05MM)           | 1 | U.R.                      |
| 55 | 6G5-45577-01-08 | SHIM                    | 1 | U.R.                      |
| 55 | 6G5-45577-02-12 | SHIM (T:0.12MM)         | 1 | U.R.                      |
| 55 | 6G5-45577-02-30 | SHIM (T:0.30MM)         | 1 | U.R.                      |
| 55 | 6G5-45577-02-50 | SHIM (T:0.50MM)         | 1 | U.R.                      |
| 56 | 6G5-45576-00-00 | WASHER, THRUST          | 1 |                           |
| 57 | 93306-209U0-00  | BEARING                 | 1 |                           |
| 58 | 93210-97M55-00  | .O-RING                 | 1 |                           |
| 59 | 6G5-45332-00-94 | HOUSING, BEARING        | 1 |                           |
| 60 | 93315-430U8-00  | BEARING                 | 1 |                           |
| 61 | 93101-30M17-00  | .OIL SEAL               | 2 |                           |
| 62 | 90282-04010-00  | KEY, STRAIGHT           | 1 |                           |
| 63 | 6G5-45383-01-00 | WASHER, CLAW            | 1 |                           |
| 64 | 6G5-45384-00-00 | NUT                     | 1 |                           |
| 65 | 6E5-45378-00-00 | NIPPLE, HOSE            | 1 |                           |
| 66 | 90445-07M31-00  | HOSE (L200)             | 1 | U.R. LONG                 |
| 66 | 90445-07M38-00  | HOSE (L300)             | 1 | UR ULTRA LONG (NOT SHOWN) |
| 67 | 6E5-83558-00-00 | END, NIPPLE             | 1 |                           |
| 68 | 6G5-W0001-21-00 | LOWER UNIT GASKET KIT   | 1 | SEE NOTE                  |
| 69 | 6G5-W0078-01-00 | WATER PUMP REPAIR KIT   | 1 | SEE NOTE                  |
| 70 | 6G5-W0078-0A-00 | CHROME PUMP KIT         | 1 |                           |
| 71 | 6E5-44322-41-00 | .INSERT, CARTRIDGE      | 1 |                           |
| 72 | 6G5-44323-40-00 | .OUTER PLATE, CARTRIDGE | 1 |                           |

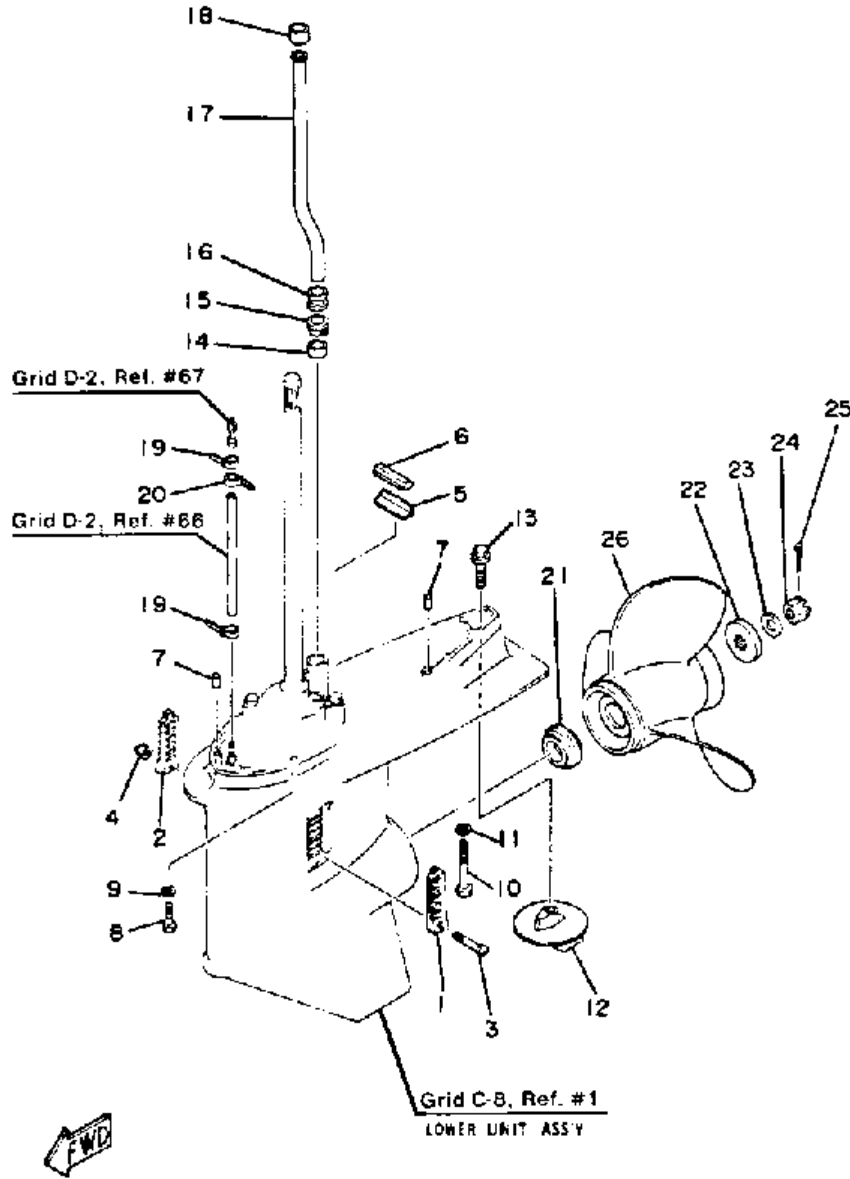
## Part Notes

150ETLK 1985 / LOWER DRIVE 1

| PART NUMBER    |   | NOTE TEXT   |
|----------------|---|---|
| 90430-08020-00 |  | OEM: This part number is among the Top 100 Most Popular Marine Maintenance Parts as of August 2013. |
| 93106-09014-00 |  | OEM: This part number is among the Top 100 Most Popular Marine Maintenance Parts as of August 2013. |
| 93210-86M38-00 |  | OEM: This part number is among the Top 100 Most Popular Marine Maintenance Parts as of August 2013. |
| 93101-28M16-00 |  | OEM: This part number is among the Top 100 Most Popular Marine Maintenance Parts as of August 2013. |
| 93210-54534-00 |  | OEM: This part number is among the Top 100 Most Popular Marine Maintenance Parts as of August 2013. |
| 93101-30M17-00 |  | OEM: This part number is among the Top 100 Most Popular Marine Maintenance Parts as of August 2013. |

©2013 Yamaha Motor Corporation, U.S.A. All rights reserved.

150ETLK 1985 / LOWER DRIVE 2



©2013 Yamaha Motor Corporation, U.S.A. All rights reserved.



## Part List

150ETLK 1985 / LOWER DRIVE 2

| REF - NO | PART NUMBER       | PART NAME  | QUANTITY | REMARKS                   |
|----------|-------------------|--|----------|---------------------------|
| 1        | 6G5-45214-00-00   | COVER, WATER INLET                                     | 1        |                           |
| 2        | 6G5-45215-00-00   | COVER, WATER INLET                                     | 1        |                           |
| 3        | 90142-05M03-00    | SCREW, COUNTERSUNK                                     | 1        |                           |
| 4        | 90185-05002-00    | NUT, NYLON   | 1        |                           |
| 5        | 663-45376-00-94   | GUIDE, SEAL DAMPER                                     | 1        | SEE NOTE                  |
| 6        | 688-45375-00-00   | DAMPER, SEAL   | 1        | SEE NOTE                  |
| 7        | 93608-12M05-00    | PIN, DOWEL   | 2        |                           |
| 8        | 97395-10045-00    | BOLT   | 6        |                           |
| 9        | 92990-10100-00    | WASHER, SPRING   | 6        |                           |
| 10       | 97395-10070-00    | BOLT   | 1        |                           |
| 11       | 92990-10100-00    | WASHER, SPRING   | 1        |                           |
| 12       | 6E5-45371-01-00   | TAB-TRIM   | 1        |                           |
| 13       | 90105-10M00-00    | BOLT, FLANGE   | 1        |                           |
| 14       | 6E5-44365-00-00   | DAMPER, WATER SEAL 1                                   | 1        | SEE NOTE                  |
| 15       | 6E5-44312-00-00   | COVER, WATER PUMP HOUSING                              | 1        | SEE NOTE                  |
| 16       | 6E5-44366-00-00   | DAMPER, WATER SEAL 2                                   | 1        |                           |
| 17       | 6E5-44361-00-00   | TUBE, WATER 1  | 1        | U.R. LONG                 |
| 17       | 6E5-44361-20-00   | TUBE, WATER 1  | 1        | UR ULTRA LONG (NOT SHOWN) |
| 18       | 6E5-44365-00-00   | DAMPER, WATER SEAL 1                                   | 1        |                           |
| 19       | 90465-11M10-00    | CLAMP  | 2        |                           |
| 20       | 90465-11M10-00    | CLAMP  | 1        |                           |
| 21       | 6E5-45987-00-00   | SPACER 1   | 1        |                           |
| 22       | 688-45997-01-00   | SPACER 2   | 1        |                           |
| 23       | 92990-18200-00    | WASHER   | 1        |                           |
| 24       | 90171-18M04-00    | NUT, CASTLE  | 1        |                           |
| 25       | 91490-40030-00    | PIN. COTTER  | 1        |                           |
| 26       | 6G5-45930-00-98   | PROPELLER (3X13-3/8"X25"-M)                            | 1        | U.R.                      |
| 26       | 6G5-45981-00-00   | .DAMPER RUBBER, PROPELLER                              | 1        |                           |
| 26       | 6G5-45981-00-00   | .DAMPER RUBBER, PROPELLER                              | 1        |                           |
| 26       | (6G5-45986-00-94) | REFLECTOR RING   | 1        |                           |
| 26       | 6G5-45978-02-98   | PROPELLER ASSY (3 X 13-3/4" X 17"-M)                   | 1        | U.R.                      |
| 26       | 6G5-45976-01-98   | PROPELLER (3X13-3/8"X23"-M)                            | 1        | U.R.                      |
| 26       | 6G5-45974-02-98   | PROPELLER ASSY (6G5-45974-01-98) (3 X 13-3/4" X 19"-M) | 1        | U.R.                      |
| 26       | 6G5-45972-02-98   | PROPELLER (3X13-3/4"X21"-M)                            | 1        | U.R.                      |
| 26       | 6G5-45941-00-98   | PROPELLER (3X15-1/4"X15"-M)                            | 1        | U.R.                      |
| 26       | 6G5-45945-01-98   | PROPELLER (3X14"X19"-M)                                | 1        | U.R.                      |
| 26       | 6G5-45949-00-98   | PROPELLER (3X13-1/2"X23"-M)                            | 1        | U.R.                      |

## Part Notes

150ETLK 1985 / LOWER DRIVE 2

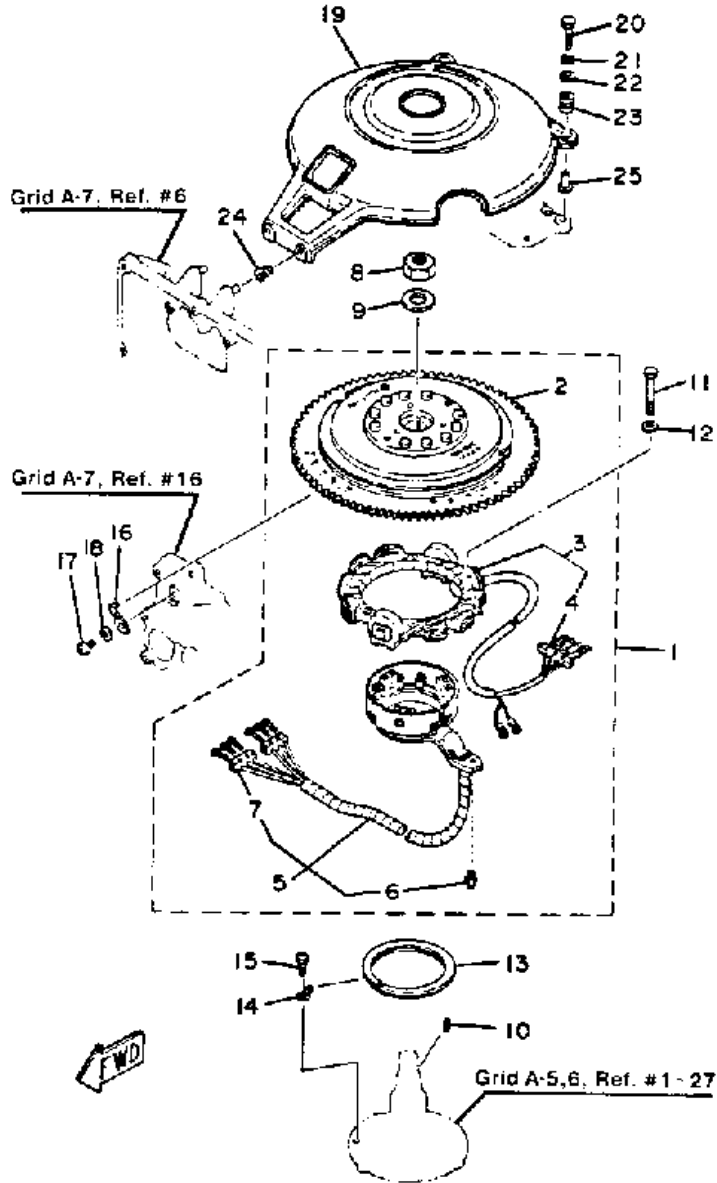
| PART NUMBER   | NOTE TEXT   |
|---|---|
| 6E5-45371-01-00  | OEM: This part number is among the Top 100 Most Popular Marine Maintenance Parts as of August 2013. |
| 90105-10M00-00   | OEM: This part number is among the Top 100 Most Popular Marine Maintenance Parts as of August 2013. |
| 91490-40030-00  | OEM: This part number is among the Top 100 Most Popular Marine Maintenance Parts as of August 2013. |



©2013 Yamaha Motor Corporation, U.S.A. All rights reserved.



150ETLK 1985 / CDI MAGNETO



©2013 Yamaha Motor Corporation, U.S.A. All rights reserved.




## Part List

150ETLK 1985 / CDI MAGNETO

| REF<br>-<br>NO | PART<br>NUMBER  | PART NAME                       | QUANTITY | REMARKS  |
|----------------|-----------------|---------------------------------|----------|----------|
| 2              | 6G5-85550-12-00 | .ROTOR ASSY                     | 1        | SEE NOTE |
| 2              | 6G5-85550-12-00 | .ROTOR ASSY                     | 1        |          |
| 3              | 6G5-85510-10-00 | .STATOR ASSEMBLY                | 1        |          |
| 4              | 90480-06M16-00  | ..GROMMET                       | 1        |          |
| 5              | 6G5-85580-11-00 | .PULSER ASSEMBLY (6G5-85580-10) | 1        |          |
| 5              | 6G5-85580-13-00 | .COIL, PULSER                   | 1        | SEE NOTE |
| 6              | 663-85518-00-00 | ..JOINT, BALL                   | 1        |          |
| 7              | 90480-06M16-00  | ..GROMMET                       | 1        |          |
| 8              | 90170-20137-00  | NUT                             | 1        |          |
| 9              | 90201-21M18-00  | WASHER, PLATE                   | 1        |          |
| 10             | 90280-05049-00  | KEY, WOODRUFF                   | 1        |          |
| 11             | 97313-06055-00  | BOLT, HEXAGON                   | 3        |          |
| 12             | 92990-06600-00  | WASHER, PLATE                   | 3        |          |
| 13             | 688-41611-00-00 | RETAINER, MAGNETO BASE          | 1        |          |
| 14             | 688-41612-00-00 | RETAINER, MAGNETO BASE          | 4        |          |
| 15             | 98580-06018-00  | SCREW, PAN HEAD                 | 4        |          |
| 16             | 6E5-81332-00-00 | PLATE, TIMING                   | 1        |          |
| 17             | 98580-06010-00  | SCREW, PAN HEAD                 | 1        |          |
| 18             | 92990-06600-00  | WASHER, PLATE                   | 1        |          |
| 19             | 6E5-81337-00-00 | COVER, FLYWHEEL                 | 1        |          |
| 20             | 97313-06030-00  | BOLT                            | 2        |          |
| 21             | 92995-06100-00  | WASHER, SPRING                  | 2        |          |
| 22             | 90201-06M62-00  | WASHER, PLATE                   | 2        |          |
| 23             | 663-82317-00-00 | DAMPER, IGNITION COIL           | 2        |          |
| 24             | 6G5-82317-00-00 | DAMPER, IGNITION COIL           | 2        |          |
| 25             | 624-42542-00-00 | PIPE                            | 2        |          |

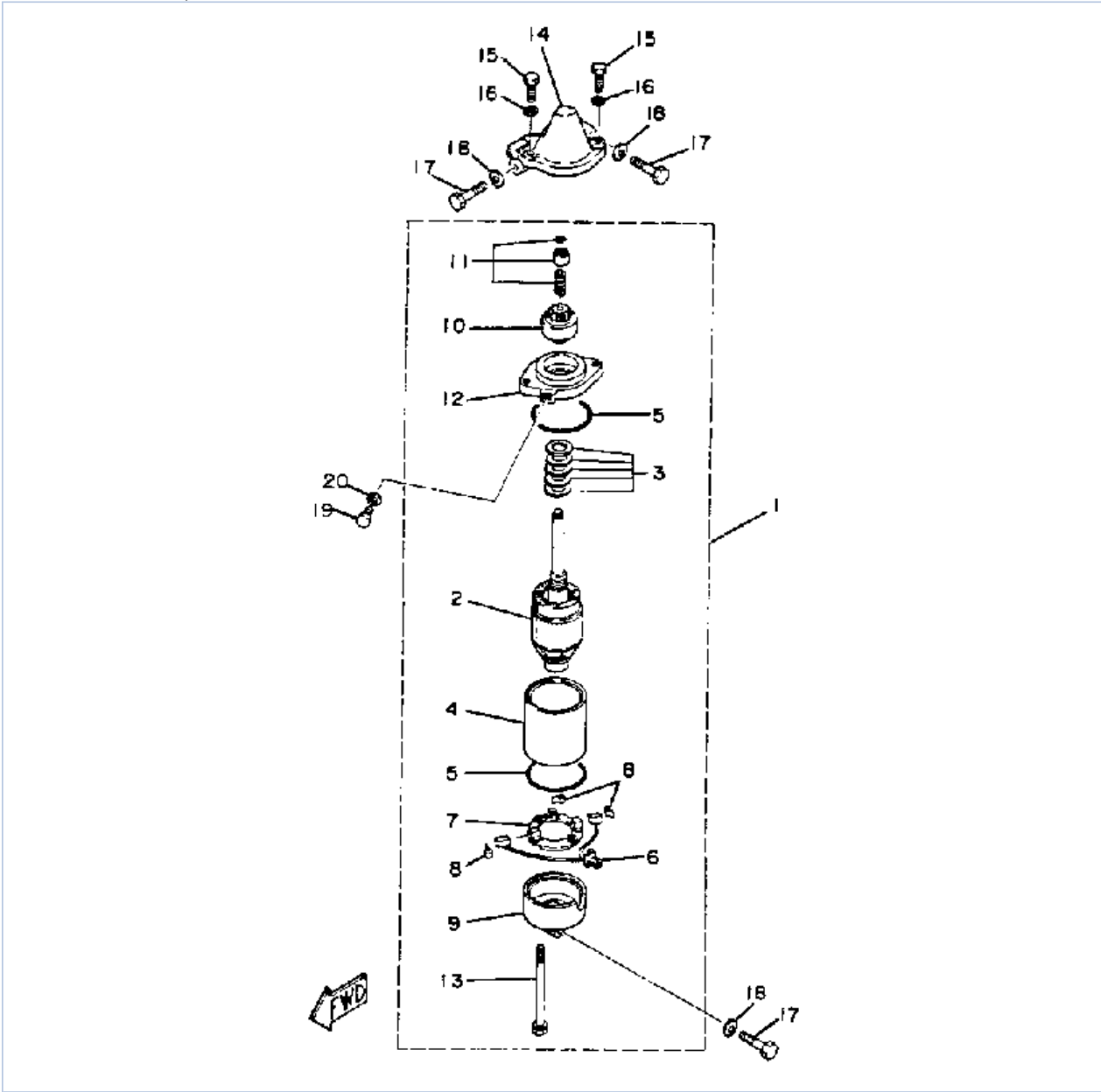
## Part Notes

150ETLK 1985 / CDI MAGNETO

| PART NUMBER    |   | NOTE TEXT   |
|----------------|---|---|
| 92990-06600-00 |  | OEM: This part number is among the Top 100 Most Popular Marine Maintenance Parts as of August 2013. |
| 92990-06600-00 |  | OEM: This part number is among the Top 100 Most Popular Marine Maintenance Parts as of August 2013. |
| 92995-06100-00 |  | OEM: This part number is among the Top 100 Most Popular Marine Maintenance Parts as of August 2013. |

©2013 Yamaha Motor Corporation, U.S.A. All rights reserved.

150ETLK 1985 / ELECTRIC MOTOR



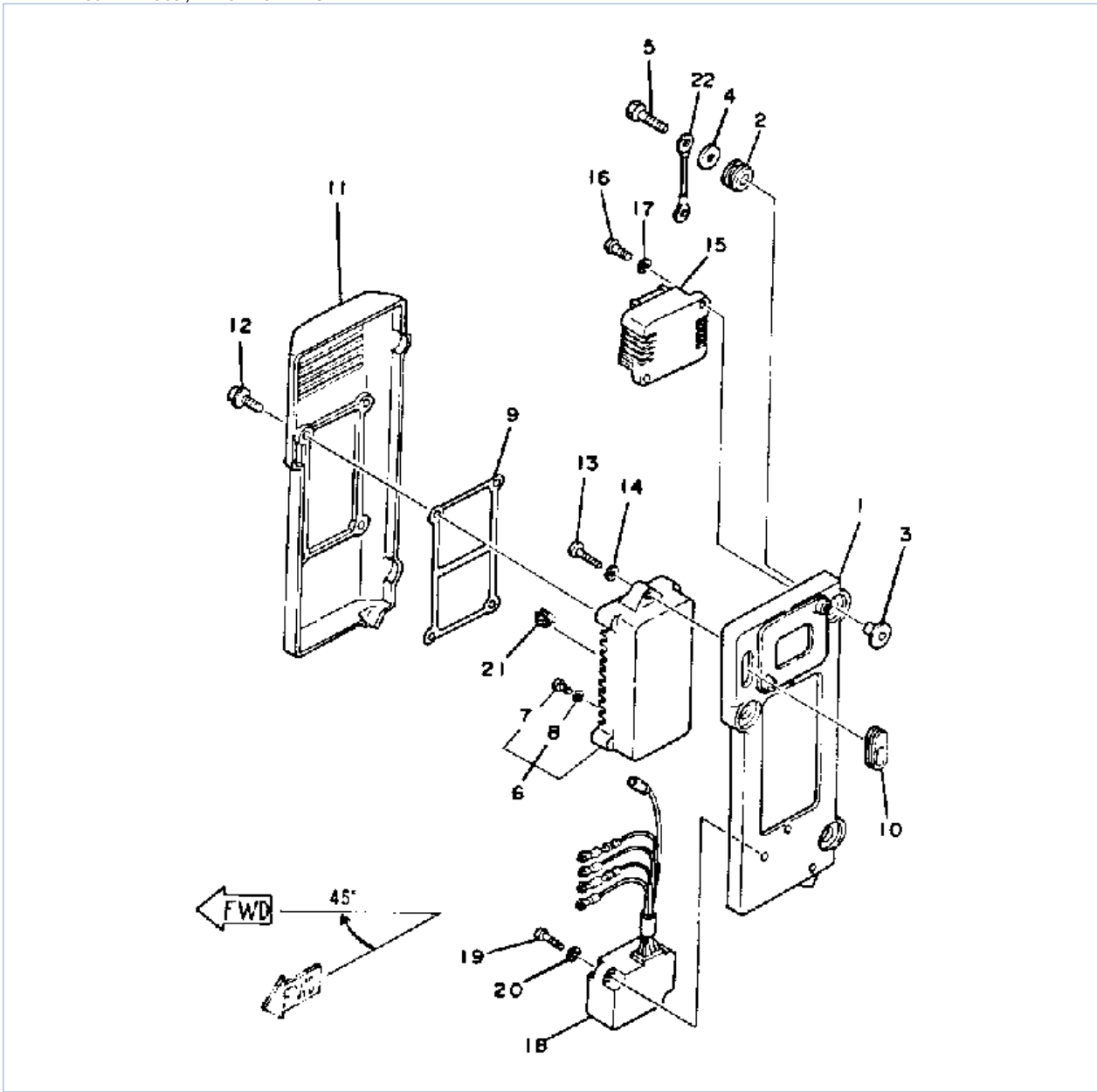
©2013 Yamaha Motor Corporation, U.S.A. All rights reserved.

## Part List

150ETLK 1985 / ELECTRIC MOTOR

| REF<br>-<br>NO | PART<br>NUMBER  | PART NAME                        | QUANTITY | REMARKS |
|----------------|-----------------|----------------------------------|----------|---------|
| 1              | 6E5-81800-12-00 | STARTER MOTOR ASSY               | 1        |         |
| 2              | 6E5-81850-A9-00 | .ARMATURE ASSY (6E5-81850-10-00) | 1        |         |
| 3              | 6E5-81809-10-00 | .WASHER KIT                      | 1        |         |
| 4              | 6E5-81810-10-00 | .STATOR ASSY                     | 2        |         |
| 5              | 6E5-81847-10-00 | .O-RING                          | 2        |         |
| 6              | 6E5-81801-10-00 | .BRUSH SET                       | 1        |         |
| 7              | 6E5-81840-10-00 | .BRUSH HOLDER ASSY               | 1        |         |
| 8              | 6E5-81813-10-00 | .SPRING, BRUSH                   | 3        |         |
| 9              | 6E5-81820-11-00 | .REAR BRACKET ASSY               | 1        |         |
| 10             | 6E5-81807-11-00 | .GEAR ASSY, STARTING MOTOR       | 1        |         |
| 11             | 6E5-81857-10-00 | .RETAINER                        | 1        |         |
| 12             | 6E5-81830-10-00 | .FRONT BRACKET ASSY              | 1        |         |
| 13             | 6E5-81826-10-00 | .BOLT                            | 2        |         |
| 14             | 6E5-81822-02-98 | BRACKET, STARTING MOTOR          | 1        |         |
| 15             | 97013-08025-00  | BOLT                             | 2        |         |
| 16             | 92990-08600-00  | .WASHER, PLATE                   | 2        |         |
| 17             | 97313-08045-00  | BOLT, HEXAGON                    | 3        |         |
| 18             | 92990-08600-00  | .WASHER, PLATE                   | 3        |         |
| 19             | 97395-08016-00  | BOLT                             | 1        |         |
| 20             | 92990-08600-00  | .WASHER, PLATE                   | 1        |         |

150ETLK 1985 / ELECTRIC PARTS 1



©2013 Yamaha Motor Corporation, U.S.A. All rights reserved.




## Part List

150ETLK 1985 / ELECTRIC PARTS 1

| REF<br>-<br>NO | PART<br>NUMBER  | PART NAME                                | QUANTITY | REMARKS |
|----------------|-----------------|--|----------|---------|
| 1              | 6G5-85542-00-94 | BRACKET                                  | 1        |         |
| 2              | 90480-09M12-00  | GROMMET                                  | 3        |         |
| 3              | 90387-06M03-00  | COLLAR                                   | 3        |         |
| 4              | 90201-06416-00  | WASHER, PLATE                            | 3        |         |
| 5              | 97313-06030-00  | BOLT                                     | 3        |         |
| 6              | 6G5-85540-12-00 | CDI UNIT ASSY                            | 1        |         |
| 7              | 98580-04008-00  | .SCREW, PAN HEAD                         | 20       |         |
| 8              | 92990-04200-00  | .WASHER                                  | 20       |         |
| 9              | 6G5-85547-00-00 | DAMPER                                   | 1        |         |
| 10             | 90480-12M32-00  | GROMMET                                  | 1        |         |
| 11             | 6G5-85537-00-00 | COVER                                    | 1        |         |
| 12             | 90159-06M03-00  | SCREW, WITH WASHER                       | 4        |         |
| 13             | 98580-06030-00  | .SCREW, PAN HEAD                         | 2        |         |
| 14             | 92990-06600-00  | WASHER, PLATE                            | 2        |         |
| 15             | 688-81960-61-00 | RECTIFIER/REG ASSEMBLY<br>(688-81960-60) | 1        |         |
| 16             | 98580-06020-00  | SCREW, PAN HEAD                          | 2        |         |
| 17             | 92990-06600-00  | WASHER, PLATE                            | 2        |         |
| 18             | 6G5-85590-12-00 | CONTROL UNIT ASSY                        | 1        |         |
| 19             | 98580-06030-00  | .SCREW, PAN HEAD                         | 2        |         |
| 20             | 92990-06600-00  | WASHER, PLATE                            | 2        |         |
| 21             | 90480-06066-00  | GROMMET                                  | 2        |         |
| 22             | 6G5-83354-00-00 | WIRE, EARTH LEAD 1                       | 1        |         |

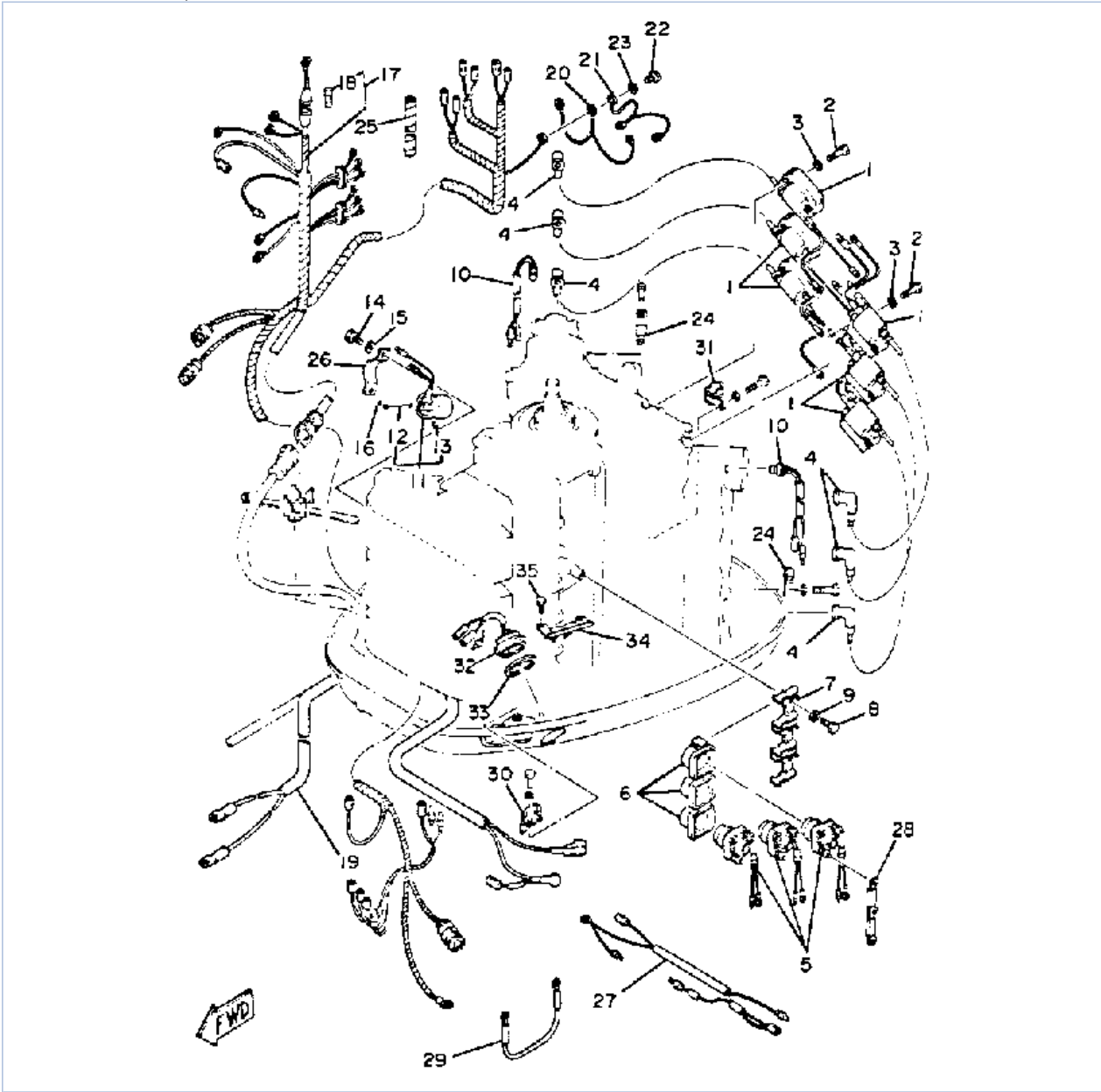
## Part Notes

150ETLK 1985 / ELECTRIC PARTS 1

| PART NUMBER    |   | NOTE TEXT   |
|----------------|---|---|
| 92990-06600-00 |  | OEM: This part number is among the Top 100 Most Popular Marine Maintenance Parts as of August 2013. |
| 92990-06600-00 |  | OEM: This part number is among the Top 100 Most Popular Marine Maintenance Parts as of August 2013. |
| 92990-06600-00 |  | OEM: This part number is among the Top 100 Most Popular Marine Maintenance Parts as of August 2013. |

©2013 Yamaha Motor Corporation, U.S.A. All rights reserved.

150ETLK 1985 / ELECTRIC PARTS 2



©2013 Yamaha Motor Corporation, U.S.A. All rights reserved.





## Part List

150ETLK 1985 / ELECTRIC PARTS 2

| REF<br>-<br>NO | PART<br>NUMBER  | PART NAME               | QUANTITY | REMARKS |
|----------------|-----------------|-------------------------|----------|---------|
| 1              | 6E5-85570-11-00 | IGNITION COIL ASSEMBLY  | 6        |         |
| 2              | 97313-06030-00  | BOLT                    | 12       |         |
| 3              | 92990-06600-00  | WASHER, PLATE           | 12       |         |
| 4              | 663-82370-01-00 | PLUG CAP ASSY           | 6        |         |
| 5              | 6E5-81941-11-00 | STARTER RELAY ASSY      | 3        |         |
| 6              | 689-81952-10-00 | HOLDER, RELAY           | 3        |         |
| 7              | 6G5-81948-00-00 | BRACKET                 | 1        |         |
| 8              | 97313-06016-00  | BOLT, HEXAGON           | 2        |         |
| 9              | 92990-06600-00  | WASHER, PLATE           | 2        |         |
| 10             | 688-82560-10-00 | THERMO SWITCH ASSY      | 2        |         |
| 11             | 6G5-86110-01-00 | SOLENOID                | 1        |         |
| 12             | 6G5-86119-00-00 | .WIRE, PULL             | 1        |         |
| 13             | 91690-30010-00  | .PIN, SPRING            | 1        |         |
| 14             | 97313-06016-00  | BOLT, HEXAGON           | 2        |         |
| 15             | 92990-06600-00  | WASHER, PLATE           | 2        |         |
| 16             | 93210-03261-00  | O-RING                  | 1        |         |
| 17             | 6G5-82590-10-00 | WIRE HARNESS ASSEMBLY   | 1        |         |
| 18             | 682-82151-00-00 | .FUSE (12V-20A)         | 1        |         |
| 19             | 6G5-82105-01-00 | BATTERY CABLE           | 1        |         |
| 20             | 6E5-82519-00-00 | WIRE, EARTH LEAD        | 1        |         |
| 21             | 6E5-82531-00-00 | WIRE, LEAD              | 1        |         |
| 22             | 97395-06012-00  | BOLT                    | 3        |         |
| 23             | 92990-06600-00  | WASHER, PLATE           | 3        |         |
| 24             | 90465-08028-00  | CLAMP                   | 6        |         |
| 25             | 90446-10M01-00  | HOSE (L60)              | 3        |         |
| 26             | 6G5-86115-00-00 | HOLDER, SOLENOID        | 1        |         |
| 27             | 6G5-82553-00-00 | EXTENSION, WIRE LEAD    | 1        |         |
| 28             | 6G5-87149-01-00 | CONNECTOR               | 1        |         |
| 29             | 6E5-82117-00-00 | WIRE, LEAD              | 1        |         |
| 30             | 90465-12M25-00  | CLAMP                   | 1        |         |
| 31             | 90465-08M08-00  | CLAMP                   | 2        |         |
| 32             | 6E5-82563-00-00 | TRIM & TILT SWITCH ASSY | 1        |         |
| 33             | 6E5-82587-00-00 | GASKET                  | 1        |         |
| 34             | 6E5-83614-00-00 | BRACKET                 | 1        |         |
| 35             | 97313-06016-00  | BOLT, HEXAGON           | 2        |         |

## Part Notes

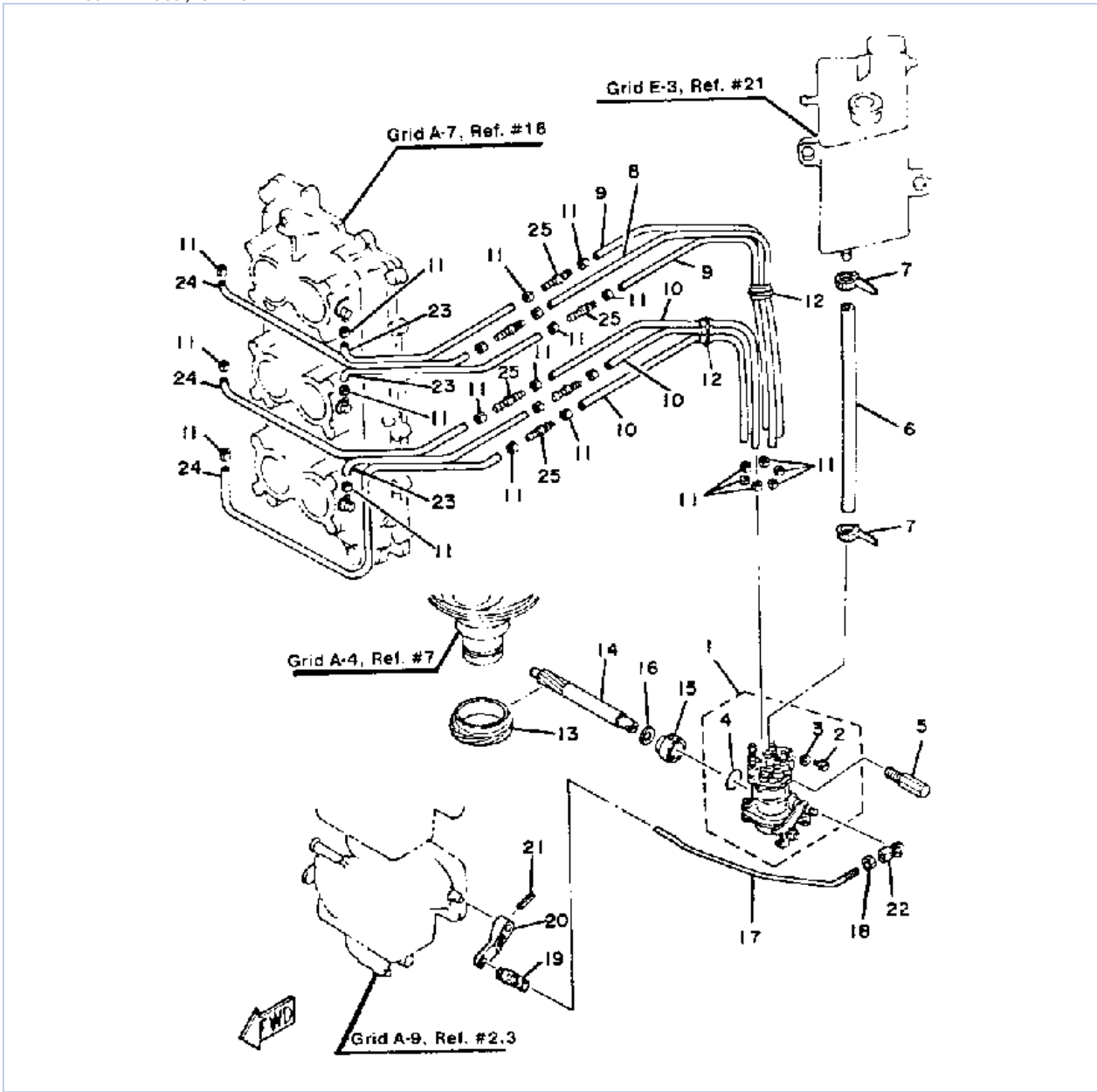
150ETLK 1985 / ELECTRIC PARTS 2

| PART NUMBER  | NOTE TEXT   |
|--|---|
| 92990-06600-00  | OEM: This part number is among the Top 100 Most Popular Marine Maintenance Parts as of August 2013. |
| 92990-06600-00  | OEM: This part number is among the Top 100 Most Popular Marine Maintenance Parts as of August 2013. |
| 92990-06600-00  | OEM: This part number is among the Top 100 Most Popular Marine Maintenance Parts as of August 2013. |
| 92990-06600-00  | OEM: This part number is among the Top 100 Most Popular Marine Maintenance Parts as of August 2013. |

©2013 Yamaha Motor Corporation, U.S.A. All rights reserved.



150ETLK 1985 / OIL PUMP



©2013 Yamaha Motor Corporation, U.S.A. All rights reserved.


## Part List

150ETLK 1985 / OIL PUMP

| REF - NO | PART NUMBER      | PART NAME                                    | QUANTITY | REMARKS                   |
|----------|------------------|--|----------|---------------------------|
| 1        | 6G6-W1320-00-00  | OIL INJECTION PUMP ASSY<br>(6G6-13200-01-00) | 1        | U.R.200 MODEL (NOT SHOWN) |
| 1        | 6G5-W1320-00-00  | OIL INJECTION PUMP ASSY<br>(6G5-13200-01-00) | 1        | U.R.150/175 MODEL         |
| 2        | 6E5-13471-01-00  | .PLUG, DRAIN                                 | 1        |                           |
| 3        | 6E5-13475-00-00  | .GASKET                                      | 1        |                           |
| 4        | 6E5-14562-00-00  | .O-RING                                      | 1        |                           |
| 5        | 90109-06M23-00   | BOLT   | 2        |                           |
| 6        | (90445-12M65-00) | HOSE   | 1        |                           |
| 7        | 90465-11M10-00   | CLAMP  | 2        |                           |
| 8        | 90445-07M73-00   | HOSE   | 1        |                           |
| 9        | 90445-07M85-00   | HOSE (L330)                                  | 2        |                           |
| 10       | 90445-07M83-00   | HOSE (L150)                                  | 3        |                           |
| 11       | 90468-07M02-00   | CLIP   | 24       |                           |
| 12       | 90464-07M05-00   | CLAMP  | 2        |                           |
| 13       | 6E5-11536-00-00  | GEAR, DRIVEN                                 | 1        |                           |
| 14       | 6E5-11537-02-00  | GEAR, DRIVEN                                 | 1        |                           |
| 15       | 6E5-13117-01-00  | COLLAR, DISTANCE                             | 1        |                           |
| 16       | 90201-08M93-00   | WASHER, PLATE                                | 1        |                           |
| 17       | 6E5-41241-00-00  | ROD, LINK                                    | 1        |                           |
| 18       | 95380-05600-00   | NUT  | 1        |                           |
| 19       | 6R5-41237-00-00  | JOINT, LINK                                  | 1        |                           |
| 20       | 6E5-14276-01-00  | LEVER  | 1        |                           |
| 21       | 91690-30016-00   | PIN, SPRING                                  | 1        |                           |
| 22       | 6H1-41237-00-00  | JOINT, LINK                                  | 1        |                           |
| 23       | 90445-07M87-00   | HOSE (L110)                                  | 3        |                           |
| 24       | 90445-07M96-00   | HOSE (L310)                                  | 3        |                           |
| 25       | 6E5-13132-00-00  | JOINT  | 6        |                           |

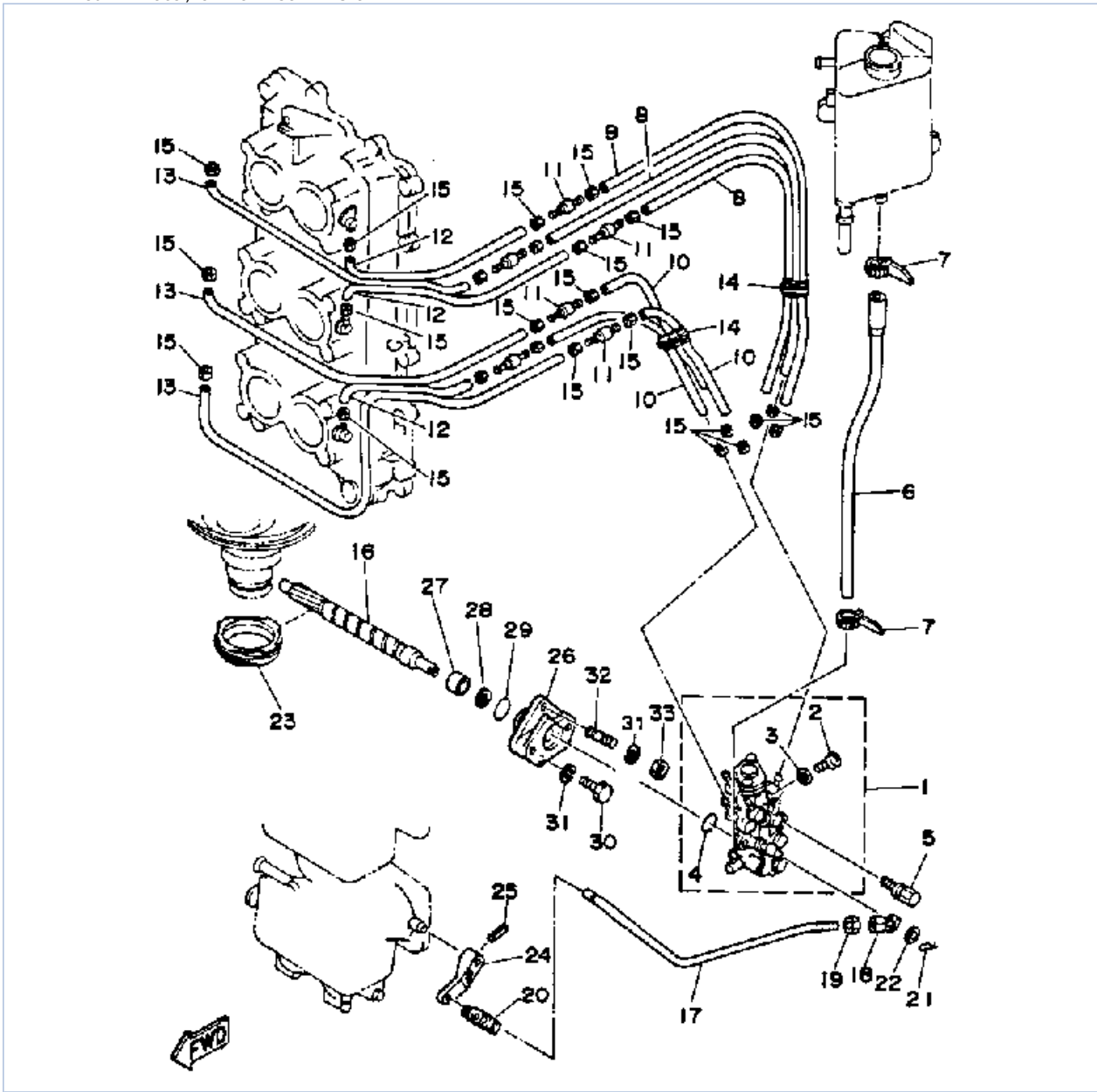
## Part Notes

150ETLK 1985 / OIL PUMP

| PART NUMBER   | NOTE TEXT   |
|---|---|
| 6H1-41237-00-00  | OEM: This part number is among the Top 100 Most Popular Marine Maintenance Parts as of August 2013. |

©2013 Yamaha Motor Corporation, U.S.A. All rights reserved.

150ETLK 1985 / OIL PUMP CONVERSION KIT



©2013 Yamaha Motor Corporation, U.S.A. All rights reserved.



## Part List

150ETLK 1985 / OIL PUMP CONVERSION KIT

| REF<br>-<br>NO | PART<br>NUMBER  | PART NAME               | QUANTITY | REMARKS         |
|----------------|-----------------|-------------------------|----------|-----------------|
| 1              | 6R3-13200-09-00 | OIL INJECTION PUMP ASSY | 1        | UR150/175 MODEL |
| 1              | 6R4-13200-09-00 | OIL INJECTION PUMP ASSY | 1        | UR200 MODEL     |
| 2              | 716-24444-00-00 | .PLUG, DRAIN            | 1        |                 |
| 3              | 1YU-13187-00-00 | .GASKET, BREATHER BOLT  | 1        |                 |
| 4              | 93210-19MA7-00  | .O-RING                 | 1        |                 |
| 5              | 90109-06M40-00  | BOLT                    | 2        |                 |
| 6              | 6R3-13416-00-00 | PIPE, OIL 1             | 1        |                 |
| 7              | 90465-11M10-00  | CLAMP                   | 2        |                 |
| 8              | 90445-07M73-00  | HOSE                    | 2        |                 |
| 9              | 90445-07M85-00  | HOSE (L330)             | 1        |                 |
| 10             | 90445-07M83-00  | HOSE (L150)             | 3        |                 |
| 11             | 6R3-13183-00-00 | VALVE, CHECK            | 6        |                 |
| 12             | 90445-07M87-00  | HOSE (L110)             | 3        |                 |
| 13             | 90445-07M96-00  | HOSE (L310)             | 3        |                 |
| 14             | 90464-07M05-00  | CLAMP                   | 2        |                 |
| 15             | 90468-07M02-00  | CLIP                    | 24       |                 |
| 16             | 6R3-11537-09-00 | GEAR, DRIVEN            | 1        |                 |
| 17             | 6R3-41241-00-00 | ROD, LINK               | 1        |                 |
| 18             | 6H1-41237-00-00 | JOINT, LINK             | 1        |                 |
| 19             | 95380-05600-00  | NUT                     | 1        |                 |
| 20             | 6R5-41237-00-00 | JOINT, LINK             | 1        |                 |
| 21             | 90468-05M03-00  | CLIP                    | 1        |                 |
| 22             | 90202-05088-00  | WASHER, PLATE           | 1        |                 |
| 23             | 6E5-11536-00-00 | GEAR, DRIVEN            | 1        |                 |
| 24             | 6E5-14276-01-00 | LEVER                   | 1        |                 |
| 25             | 91690-30016-00  | PIN, SPRING             | 1        |                 |
| 26             | 6R3-13117-09-00 | COLLAR, DISTANCE        | 1        |                 |
| 27             | 90384-14M09-00  | .BUSH, BIMETAL FORMED   | 1        |                 |
| 28             | 90202-08M44-00  | WASHER, PLATE           | 1        |                 |
| 29             | 93210-18322-00  | O-RING                  | 1        |                 |
| 30             | 97313-06018-00  | BOLT                    | 1        |                 |
| 31             | 92995-06100-00  | WASHER, SPRING          | 2        |                 |
| 32             | 90116-06M22-00  | BOLT, STUD              | 1        |                 |
| 33             | 95380-06600-00  | NUT, HEXAGON            | 1        |                 |

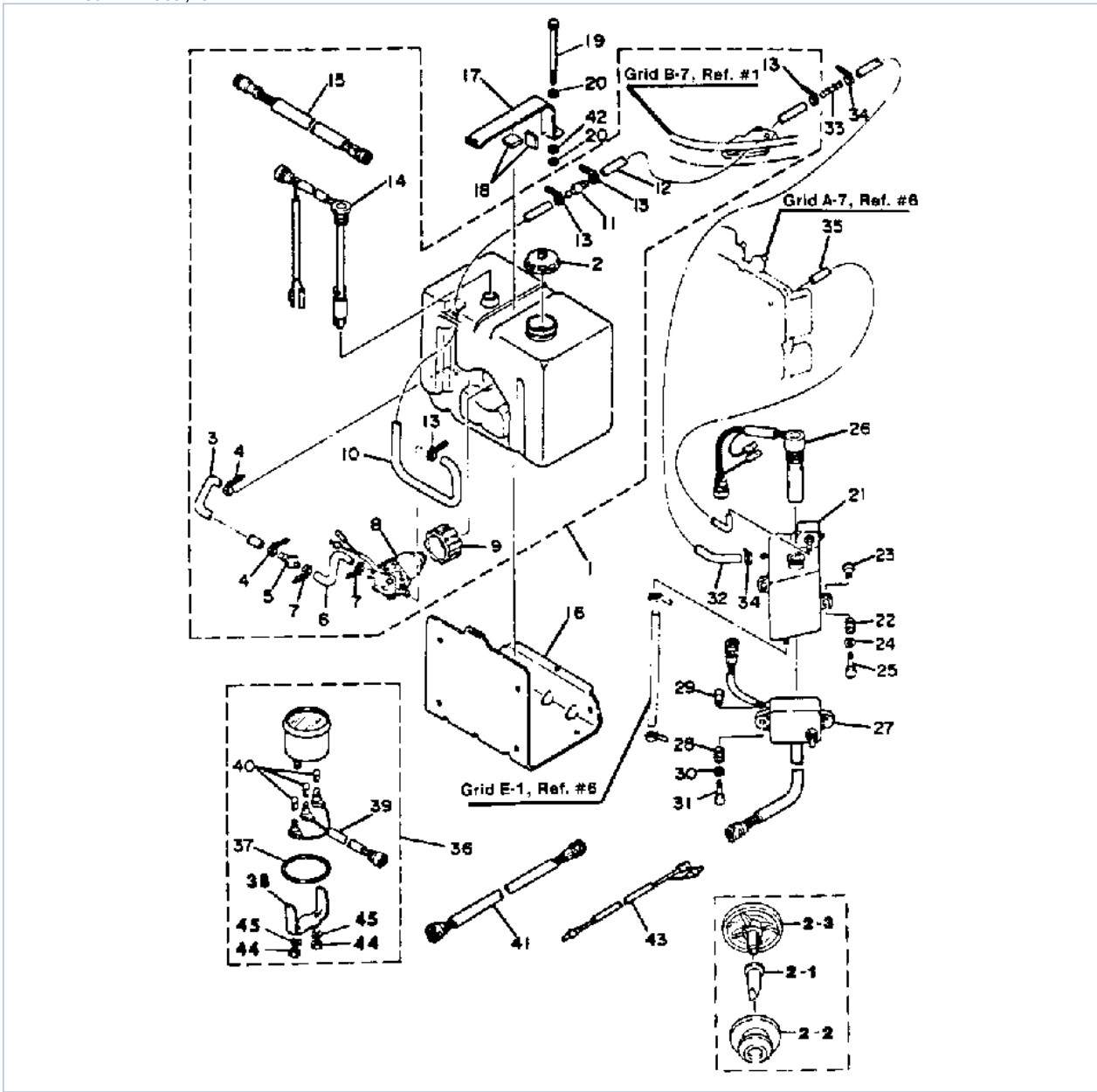
## Part Notes

150ETLK 1985 / OIL PUMP CONVERSION KIT

| PART NUMBER     |   | NOTE TEXT   |
|-----------------|---|---|
| 6H1-41237-00-00 |  | OEM: This part number is among the Top 100 Most Popular Marine Maintenance Parts as of August 2013. |
| 92995-06100-00  |  | OEM: This part number is among the Top 100 Most Popular Marine Maintenance Parts as of August 2013. |

©2013 Yamaha Motor Corporation, U.S.A. All rights reserved.

150ETLK 1985 / OIL TANK



©2013 Yamaha Motor Corporation, U.S.A. All rights reserved.



## Part List

150ETLK 1985 / OIL TANK

| REF<br>-<br>NO | PART<br>NUMBER    | PART NAME                       | QUANTITY | REMARKS    |
|----------------|-------------------|---------------------------------|----------|------------|
| 1              | 6E5-21708-05-00   | OIL TANK SUB-ASSY               | 1        |            |
| 1              | 6H1-21744-00-00   | ..BREATHER                      | 1        |            |
| 2              | 90480-11M36-00    | ..GROMMET                       | 1        |            |
| 2              | 6E5-21770-03-00   | .OIL TANK CAP ASSY              | 1        |            |
| 3              | 6E5-24322-00-00   | .PIPE 11                        | 1        |            |
| 3              | 6E5-21773-00-00   | ..GROMMET                       | 1        |            |
| 4              | 90465-11M10-00    | .CLAMP                          | 2        |            |
| 5              | 646-24251-02-00   | .STRAINER 1                     | 1        |            |
| 6              | 6E5-24319-00-00   | .PIPE, OIL                      | 1        |            |
| 7              | 90465-11M10-00    | .CLAMP                          | 2        |            |
| 8              | 6E5-81900-00-00   | .MOTOR PUMP ASSEMBLY            | 1        |            |
| 9              | 6E5-81922-00-00   | .GROMMET                        | 1        |            |
| 10             | 6E5-24321-00-00   | .PIPE 10                        | 1        |            |
| 11             | 6E5-24379-00-00   | .PIPE, JOINT 4                  | 1        |            |
| 12             | 90445-11M81-00    | .HOSE (L3000)                   | 1        |            |
| 13             | 90465-11M10-00    | .CLAMP                          | 4        |            |
| 14             | 6E5-85720-02-00   | .OIL LEVEL GAUGE ASSY           | 1        |            |
| 15             | 6E5-85721-10-00   | WIRE LEAD (6E5-85721-01-00)     | 1        | ALT. PARTS |
| 15             | 6E5-85721-10-00   | .WIRE LEAD (6E5-85721-01-00)    | 1        |            |
| 16             | 6E5-21734-01-33   | HOLDER, OIL SUB TANK            | 1        |            |
| 17             | 6E5-21798-01-33   | BRACKET, DAMPER                 | 1        |            |
| 18             | 6E5-21746-00-00   | DAMPER                          | 2        |            |
| 19             | 97380-06100-00    | BOLT, HEXAGON (91201-06100)     | 1        |            |
| 20             | 92990-06600-00    | WASHER, PLATE                   | 2        |            |
| 21             | 6E5-21750-02-00   | OIL TANK ASSEMBLY               | 1        |            |
| 22             | 6A0-82317-00-00   | DAMPER, IGNITION COIL           | 3        |            |
| 23             | 624-42542-00-00   | PIPE                            | 3        |            |
| 24             | 90201-06M62-00    | WASHER, PLATE                   | 3        |            |
| 25             | 97313-06030-00    | BOLT                            | 3        |            |
| 26             | 6E5-85730-12-00   | OIL LEVEL SENSOR (6E5-85730-11) | 1        |            |
| 27             | 6E5-85740-02-00   | CONTROL UNIT ASSY               | 1        |            |
| 28             | 6A0-82317-00-00   | DAMPER, IGNITION COIL           | 2        |            |
| 29             | 624-42542-00-00   | PIPE                            | 2        |            |
| 30             | 90201-06M62-00    | WASHER, PLATE                   | 2        |            |
| 31             | 97313-06030-00    | BOLT                            | 2        |            |
| 32             | 6E5-24323-00-00   | PIPE 12                         | 1        |            |
| 33             | 6E5-24461-00-00   | PIPE, JOINT                     | 1        |            |
| 34             | 90465-11M10-00    | CLAMP                           | 2        |            |
| 35             | 90445-05M61-00    | HOSE                            | 1        |            |
| 36             | 6E5-84301-01-00   | OIL INDICATOR                   | 1        |            |
| 37             | 688-83523-00-00   | .DAMPER                         | 1        |            |
| 38             | (688-83514-00-00) | PLATE, FITTING                  | 1        |            |
| 39             | 6E5-83536-01-00   | .SOCKET, METER                  | 1        |            |
| 40             | 688-83516-10-00   | .BULB (12V-34W)                 | 3        |            |
| 41             | 6E5-82521-03-00   | WIRE, LEAD                      | 1        |            |
| 41             | 6E5-82521-10-00   | EXT, HRN.OIL IND.LG             | 1        | ALT. PARTS |
| 42             | 95380-06600-00    | NUT, HEXAGON                    | 1        |            |
| 43             | 6G5-81315-00-00   | LEAD WIRE ASSY                  | 1        |            |
| 44             | 95380-05600-00    | NUT                             | 2        |            |
| 45             | 92990-05100-00    | .WASHER, SPRING                 | 2        |            |

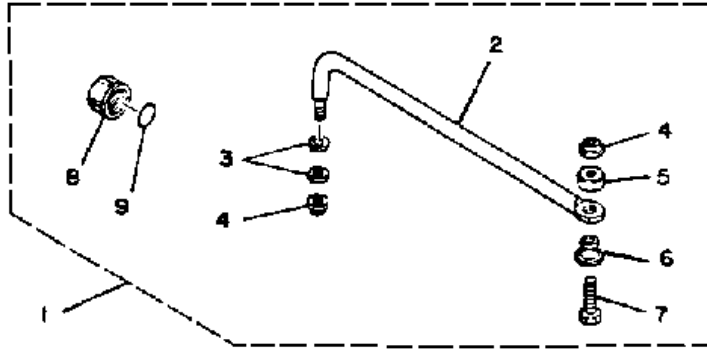
## Part Notes

150ETLK 1985 / OIL TANK

| PART NUMBER     |   | NOTE TEXT   |
|-----------------|---|---|
| 646-24251-02-00 |  | OEM: This part number is among the Top 100 Most Popular Marine Maintenance Parts as of August 2013. |
| 92990-06600-00  |  | OEM: This part number is among the Top 100 Most Popular Marine Maintenance Parts as of August 2013. |

©2013 Yamaha Motor Corporation, U.S.A. All rights reserved.

150ETLK 1985 / STEERING GUIDE ATTACHMENT



©2013 Yamaha Motor Corporation, U.S.A. All rights reserved.

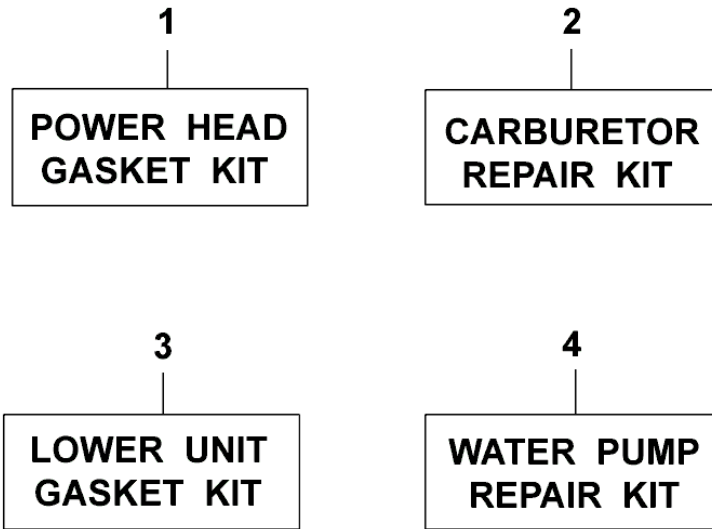


## Part List

150ETLK 1985 / STEERING GUIDE ATTACHMENT

| REF<br>-<br>NO | PART<br>NUMBER  | PART NAME                        | QUANTITY | REMARKS |
|----------------|-----------------|----------------------------------|----------|---------|
| 1              | 6E5-61350-01-00 | STEERING GUIDE<br>ATTACHMENT KIT | 1        |         |
| 2              | 6E5-61351-00-00 | .ROD, STEERING LINK              | 1        |         |
| 3              | 90201-10M20-00  | .WASHER, PLATE                   | 2        |         |
| 4              | 90185-09M01-00  | .NUT, SELF-LOCKING               | 2        |         |
| 5              | 90560-12M01-00  | .SPACER                          | 1        |         |
| 6              | 90387-10M61-00  | .COLLAR                          | 1        |         |
| 7              | 6E5-61355-00-00 | .BOLT                            | 1        |         |
| 8              | 6E5-43145-00-00 | .CAP, CLAMP BRACKET              | 1        |         |
| 9              | 93210-16275-00  | .O-RING                          | 1        |         |

150ETLK 1985 / REPAIR KIT



©2013 Yamaha Motor Corporation, U.S.A. All rights reserved.

## Part List

150ETLK 1985 / REPAIR KIT

| REF<br>-<br>NO | PART<br>NUMBER  | PART NAME             | QUANTITY | REMARKS |
|----------------|-----------------|-----------------------|----------|---------|
| 1              | 6G5-W0001-03-00 | POWER HEAD GASKET KIT | 1        |         |
| 2              | 6G5-W0093-02-00 | CARBURETOR REPAIR KIT | 1        |         |
| 3              | 6G5-W0001-21-00 | LOWER UNIT GASKET KIT | 1        |         |
| 4              | 6G5-W0078-01-00 | WATER PUMP REPAIR KIT | 1        |         |

©2013 Yamaha Motor Corporation, U.S.A. All rights reserved.