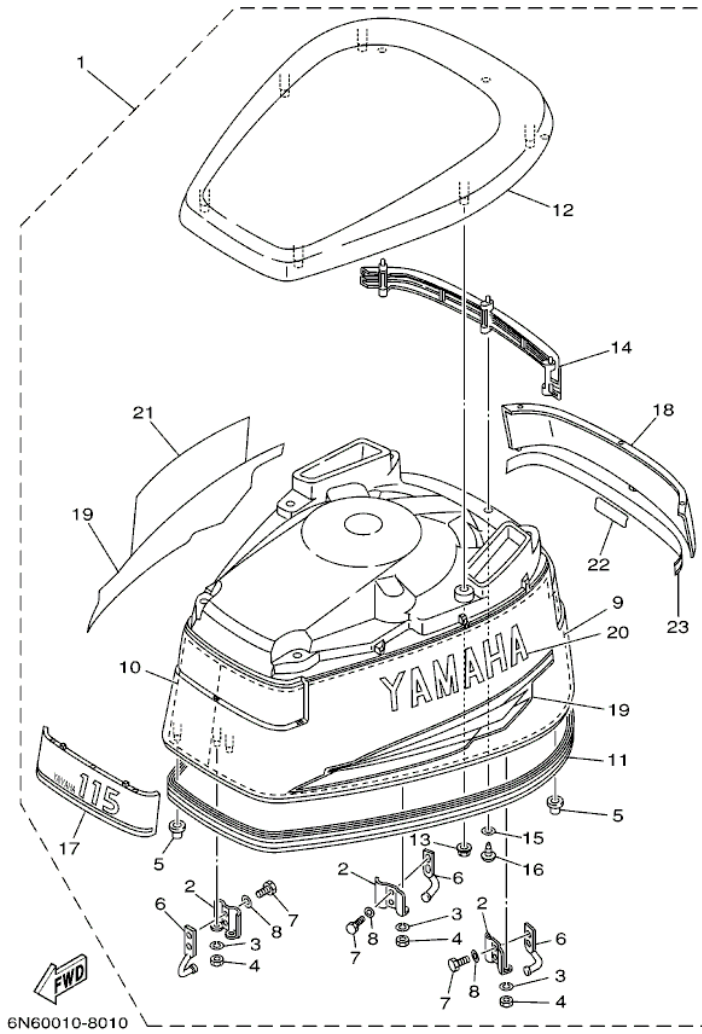


130TLRZ 2001 / TOP COWLING



©2013 Yamaha Motor Corporation, U.S.A. All rights reserved.

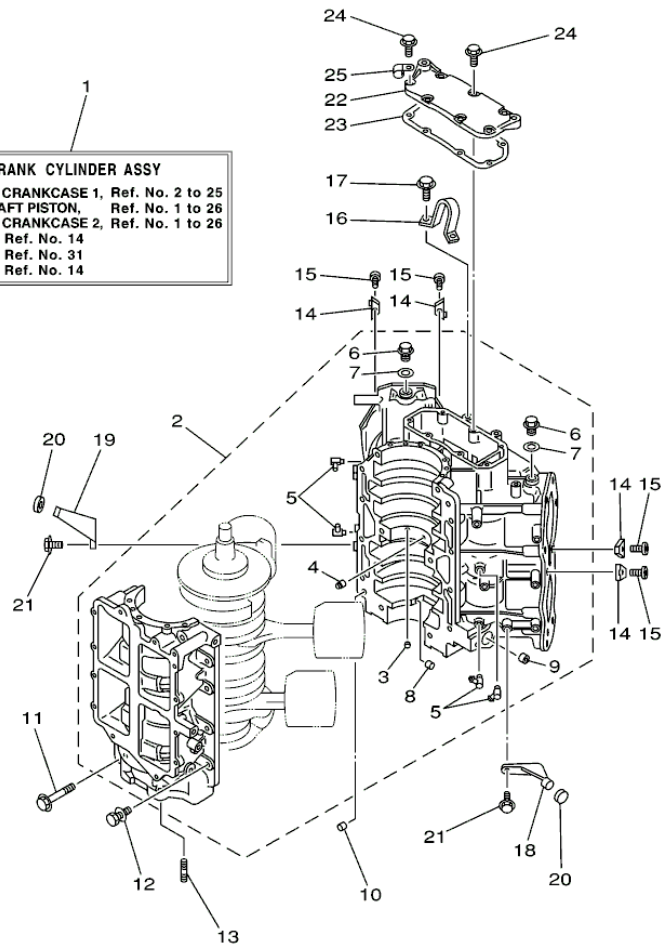
## Part List

130TLRZ 2001 / TOP COWLING

REF - NO	PART NUMBER	PART NAME	QUANTITY	REMARKS
1	6N7-42610-30-4D	TOP COWLING ASSY	1	UR 130,L130
2	6R3-42647-00-00	.HOLDER, CLAMP BAND	3	
3	92990-06100-00	.WASHER, SPRING	6	
4	95380-06600-00	.NUT, HEXAGON	6	
5	6R3-42662-00-00	.DAMPER	3	
6	6R3-42814-00-00	.HOOK, CLAMP	3	
7	97095-06012-00	.BOLT	6	
8	92995-06600-00	.WASHER	6	
9	6N7-42619-00-00	.DAMPER, FORM	1	
10	6N7-42627-00-00	.DAMPER, FORM	1	
11	6R3-42615-01-00	.SEAL	1	
12	6N7-42613-00-4D	.MOLDING, AIR DUCT	1	
13	90179-06M24-00	.NUT	6	
14	6N7-42636-00-00	.LOUVER 2	1	
15	92990-04600-00	.WASHER, PLATE	3	
16	97780-40520-00	.SCREW, TAPPING	3	
17	6N7-42686-30-00	.EMBLEM, FRONT	1	UR 130,L130
18	6N7-42687-30-00	.EMBLEM, REAR	1	UR 130,L130
19	6N7-W0070-30-00	.GRAPHIC SET	1	
20	6N7-42681-30-00	.MARK, COWLING	1	
21	6N7-42682-30-00	.MARK, COWLING	1	
22	6N7-42678-30-00	.GRAPHIC, REAR	1	
23	6N7-4267A-30-00	.GRAPHIC, REAR 2	1	

130TLRZ 2001 / CYLINDER CRANKCASE 1

**CRANK CYLINDER ASSY**  
CYLINDER CRANKCASE 1, Ref. No. 2 to 25  
CRANKSHAFT PISTON, Ref. No. 1 to 26  
CYLINDER CRANKCASE 2, Ref. No. 1 to 26  
INTAKE, Ref. No. 14  
OIL PUMP, Ref. No. 31  
FUEL, Ref. No. 14



6N40100-0020

## Part List

130TLRZ 2001 / CYLINDER CRANKCASE 1

REF - NO	PART NUMBER	PART NAME	QUANTITY	REMARKS
1	6N7-W0090-16-1S	CRANK CYLINDER ASSY	1	UR 130,L130
2	6N7-15100-01-1S	CRANKCASE ASSY	1	UR 130,L130
3	624-11379-00-00	.VALVE, CHECK	1	
4	663-11518-01-00	.LOCK, BEARING	1	
5	6E5-11372-00-00	.NIPPLE, HOSE	4	
6	90340-14M00-00	.PLUG, STRAIGHT SCREW	2	
7	90430-14115-00	.GASKET	2	
8	90384-06M07-00	.BUSH, BIMETAL FORMED	1	
9	90384-14M09-00	.BUSH, BIMETAL FORMED	1	
10	93608-12063-00	PIN, DOWEL	2	
11	90105-10M20-00	BOLT, FLANGE	6	
12	90119-08M94-00	BOLT, WITH WASHER	8	
13	90116-08M45-00	BOLT, STUD	2	
14	6E5-11325-00-00	ANODE	4	
15	98780-04015-00	SCREW, FLAT HEAD	4	
16	6E5-11119-01-00	HANGER, ENGINE	1	
17	90119-08MA3-00	BOLT, WITH WASHER	2	
18	6E5-42761-00-1S	STOPPER	1	
19	6E5-42762-00-1S	STOPPER	1	
20	68F-44533-00-00	DAMPER, UPPER MOUNT RUBBER	2	
21	90119-06MA2-00	BOLT, WITH WASHER	4	
22	6K7-11371-01-1S	COVER	1	
23	6E5-11381-A2-00	.GASKET 1	1	
24	90119-06MA2-00	BOLT, WITH WASHER	7	
25	90465-06M86-00	CLAMP	1	

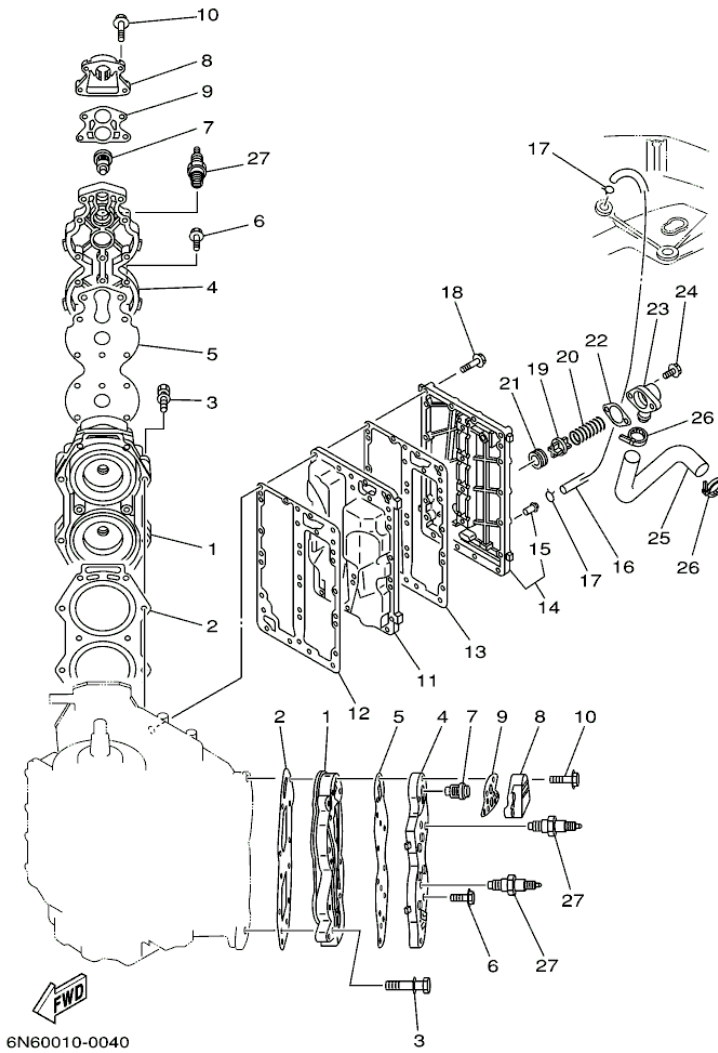


## Part List

130TLRZ 2001 / CRANKSHAFT PISTON

REF - NO	PART NUMBER	PART NAME	QUANTITY	REMARKS
1	6N7-11411-00-00	CRANKSHAFT	1	
2	6E5-11447-00-00	SEAL, CRANK	6	
3	6R3-15163-00-1S	HOUSING, BEARING 1	1	
4	93311-940U3-00	BEARING	1	
5	93102-40M14-00	.OIL SEAL	1	
6	93211-04001-00	.O-RING	2	
7	90119-06MA2-00	BOLT, WITH WASHER	3	
8	93310-954U1-00	BEARING	1	
9	6R3-11536-00-00	GEAR, DRIVE	1	
10	93306-208U0-00	BEARING	1	
11	93410-40M03-00	CIRCLIP	1	
12	6G5-15359-00-94	HOUSING, OIL SEAL	1	
13	93102-35M13-00	OIL SEAL	1	
14	93101-22M15-00	.OIL SEAL	1	
15	93210-74M35-00	.O-RING	1	
16	90119-06MA2-00	BOLT, WITH WASHER	4	
17	6R5-11631-11-93	PISTON (STD)	2	
17	6R5-11635-11-00	PISTON (0.25MM O/S)	2	AP
17	6R5-11636-11-00	PISTON (0.50MM O/S)	2	AP
18	6R5-11642-11-93	PISTON 2 (STD)	2	
18	6R5-11645-11-00	PISTON 2 (0.25MM O/S)	2	AP
18	6R5-11646-11-00	PISTON 2 (0.50MM O/S)	2	AP
19	64D-11603-01-00	PISTON RING SET (STD)	4	
19	64D-11605-01-00	PISTON RING SET (0.50MM O/S)	4	AP
19	64D-11604-01-00	PISTON RING SET (0.25MM O/S)	4	AP
20	6R5-11633-10-00	PIN, PISTON	4	
21	6R5-11634-10-00	CLIP, PISTON PIN	8	
22	6R5-11650-10-00	CONNECTING ROD ASSY	4	
23	90109-08M71-00	.BOLT	2	
24	93310-323V6-00	BEARING	4	
25	90201-23M01-00	WASHER, PLATE	8	
26	93310-836V2-00	BEARING	4	

130TLRZ 2001 / CYLINDER CRANKCASE 2



©2013 Yamaha Motor Corporation, U.S.A. All rights reserved.



## Part List

130TLRZ 2001 / CYLINDER CRANKCASE 2

REF - NO	PART NUMBER	PART NAME	QUANTITY	REMARKS
1	6L1-11111-00-1S	HEAD, CYLINDER 1	2	UR 130,L130
2	6E5-11181-A1-00	.GASKET, CYLINDER HEAD 1	2	
3	90119-08MA8-00	BOLT, WITH WASHER	20	
4	6E5-11191-01-1S	COVER, CYLINDER HEAD 1	2	
5	6E5-11193-A0-00	.GASKET, HEAD COVER 1	2	
6	90119-06MA4-00	BOLT, WITH WASHER	24	
7	6E5-12411-20-00	THERMOSTAT	2	
8	6G5-12413-00-1S	COVER, THERMOSTAT	2	
9	688-12414-A1-00	.GASKET, COVER	2	
10	90119-06MA6-00	BOLT, WITH WASHER	8	
11	6L1-41111-00-1S	INNER COVER, EXHAUST	1	UR 130,L130
12	6E5-41112-A1-00	GASKET, EXHAUST INNER COVER	1	
13	6E5-41112-A1-00	GASKET, EXHAUST INNER COVER	1	
14	6N7-41113-00-1S	OUTER COVER, EXHAUST	1	
15	650-24378-00-00	.PIPE, JOINT 4	1	
16	6E5-24312-00-00	PIPE 2	1	
17	90467-08004-00	CLIP	2	
18	90119-06MA5-00	BOLT, WITH WASHER	23	
19	6G5-12416-00-00	VALVE, PRESSURE CONTROL	1	
20	90501-16M11-00	SPRING, COMPRESSION	1	
21	90480-20M05-00	GROMMET	1	
22	6G5-11382-A1-00	.GASKET 2	1	
23	6G5-11372-00-1S	COVER, BYPASS 2	1	
24	90119-06MA2-00	BOLT, WITH WASHER	2	
25	6E5-12576-00-00	HOSE 1	1	
26	90465-13M18-00	CLAMP	2	
27	94702-00309-00	PLUG, SPARK (NGK BR9HS-10)	4	UR 130,L130

## Part Notes

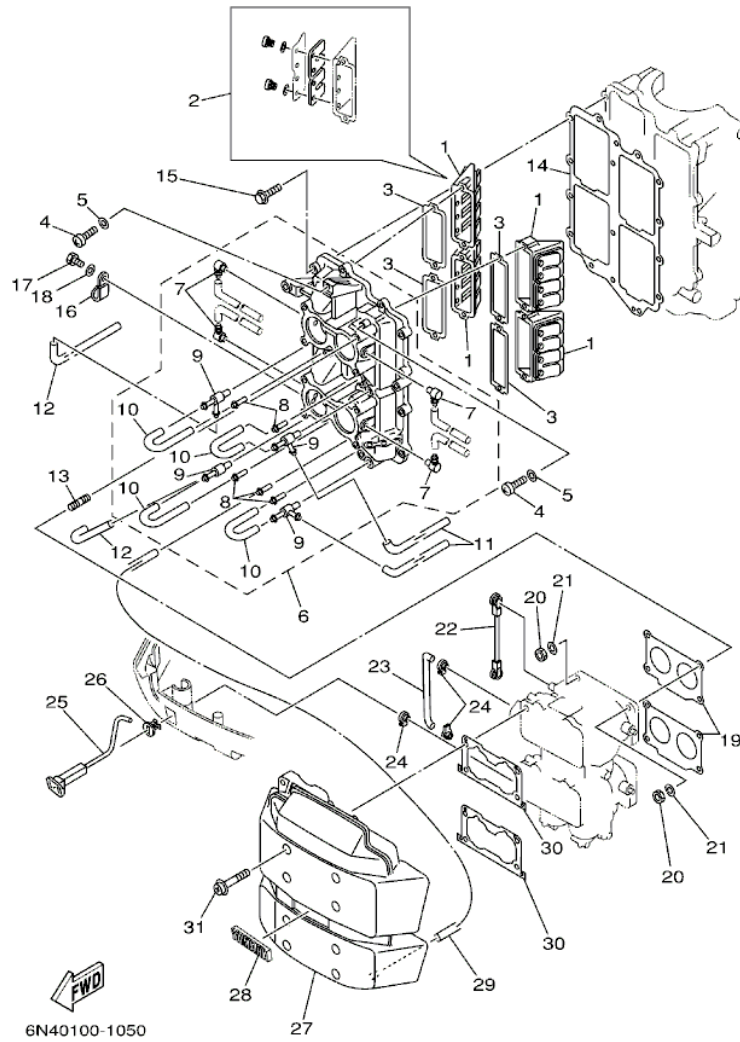
130TLRZ 2001 / CYLINDER CRANKCASE 2

PART NUMBER		NOTE TEXT
688-12414-A1-00		OEM: This part number is among the Top 100 Most Popular Marine Maintenance Parts as of August 2013.
90480-20M05-00		OEM: This part number is among the Top 100 Most Popular Marine Maintenance Parts as of August 2013.

©2013 Yamaha Motor Corporation, U.S.A. All rights reserved.



130TLRZ 2001 / INTAKE



©2013 Yamaha Motor Corporation, U.S.A. All rights reserved.


## Part List

130TLRZ 2001 / INTAKE

REF - NO	PART NUMBER	PART NAME	QUANTITY	REMARKS
1	6E5-13610-00-00	REED VALVE ASSY	4	
2	6E5-W0004-00-00	.REED SET	1	
3	6E5-13621-A1-00	.GASKET, VALVE SEAT	4	
4	97880-05025-00	.SCREW, PAN HEAD	8	
5	92990-05600-00	WASHER, PLATE	8	
6	6E5-13641-11-1S	MANIFOLD 1	1	
7	6E5-13552-00-00	.NOZZLE	4	
8	624-14485-00-00	.PIPE, JOINT	5	
9	6E5-11370-00-00	.CHECK VALVE ASSY	4	
10	90445-07M28-00	.HOSE (L70)	4	
11	90445-07M24-00	HOSE (L240)	2	
12	90445-07M46-00	HOSE (L360)	2	
13	90116-06M30-00	BOLT, STUD	8	
14	6E5-13645-A1-00	GASKET, MANIFOLD 1	1	
15	90119-06MA3-00	BOLT, WITH WASHER	12	
16	90465-06M86-00	CLAMP	1	
17	97095-06012-00	BOLT	1	
18	92995-06600-00	WASHER	1	
19	6E5-14198-A2-00	.GASKET	2	
20	95380-06600-00	NUT, HEXAGON	8	
21	92995-06100-00	WASHER, SPRING	8	
22	6E5-41217-01-00	ROD, ACCEL. LEVER	1	
23	6E5-41256-01-00	ROD, CHOKE 1	1	
24	661-41262-02-00	JOINT, CHOKE LEVER	3	
25	6N7-41271-00-00	KNOB, CHOKE	1	
26	689-41273-00-00	GROMMET	1	
27	6N7-14440-01-00	SILENCER ASSY, INTAKE	1	
28	6E5-1441K-00-00	EMBLEM	1	
29	90445-07258-00	HOSE (L200)	1	
30	6K7-14483-00-00	GASKET	2	
31	90159-06M14-00	SCREW, WITH WASHER	8	

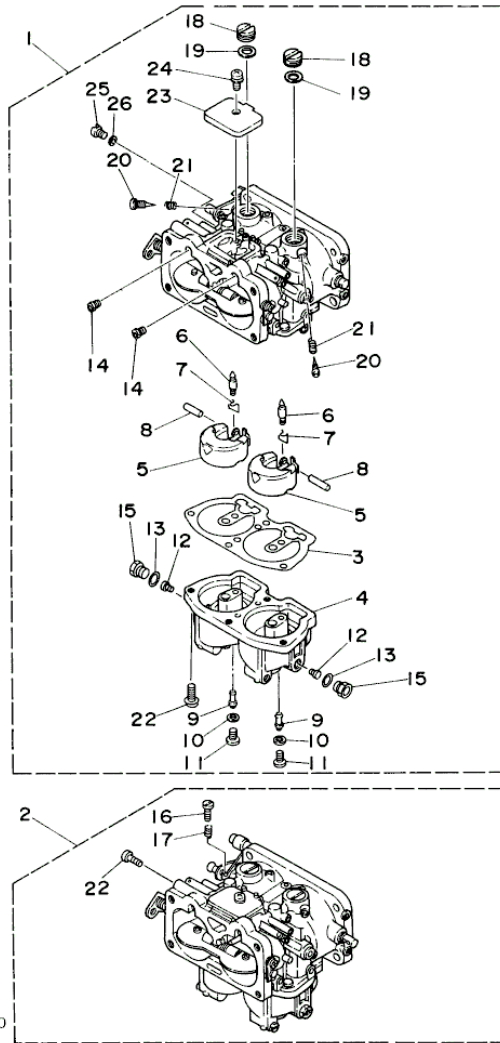
## Part Notes

130TLRZ 2001 / INTAKE

PART NUMBER	NOTE TEXT
92995-06100-00 	OEM: This part number is among the Top 100 Most Popular Marine Maintenance Parts as of August 2013.

©2013 Yamaha Motor Corporation, U.S.A. All rights reserved.

130TLRZ 2001 / CARBURETOR



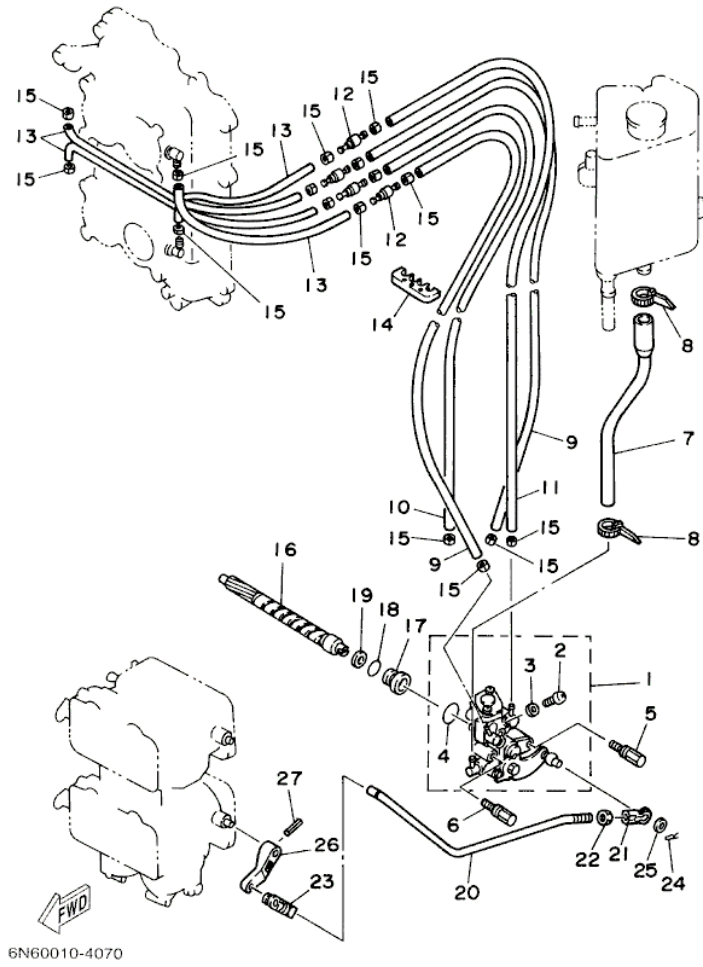
©2013 Yamaha Motor Corporation, U.S.A. All rights reserved.

## Part List

130TLRZ 2001 / CARBURETOR

REF - NO	PART NUMBER	PART NAME	QUANTITY	REMARKS
1	6L1-14301-03-00	CARBURETOR ASSY 1	1	UR 130,L130
2	6L1-14302-03-00	CARBURETOR ASSY 2	1	UR 130,L130
3	64D-14384-00-00	.GASKET, FLOAT CHAMBER	2	
4	64D-14381-00-00	.BODY, FLOAT CHAMBER	2	
5	6E5-14385-02-00	.FLOAT	4	
6	6E5-14546-00-00	.VALVE, NEEDLE	4	
7	6E5-14159-00-00	.CLIP	4	
8	6E5-14386-02-00	.PIN, FLOAT	4	
9	64D-1492F-41-00	.JET, AIR SLOW (#82)	4	UR 130,L130
10	61U-14959-00-00	.GASKET	4	
11	64D-14394-00-00	.VALVE, DRAIN	4	
12	64D-1492E-90-00	.JET, MAIN (#180)	4	UR 130,L130
13	6E5-14398-00-00	.GASKET	4	
14	61A-1492H-12-00	.JET, SLOW AIR BLEED (#60)	4	
15	61A-14383-01-00	.SCREW, DRAIN	4	
16	6E5-14321-00-00	.SCREW, THROTTLE	1	#2
17	6J8-14334-00-00	.SPRING, THROTTLE	1	#2
18	6E5-14328-01-00	.PLUG	4	
19	6E5-14979-00-00	.GASKET	4	
20	6E5-14323-03-00	.SCREW, AIR ADJUSTING	4	
21	6E5-14223-00-00	.SPRING, AIR ADJUSTING	4	
22	97980-05116-00	.SCREW, WITH WASHER	9	
23	6E5-14527-01-00	.PLATE	2	
24	97980-05108-00	.SCREW, WITH WASHER	2	
25	6E5-14324-00-00	.SCREW, FLAT HEAD	2	
26	6J8-14959-00-00	.GASKET	2	

130TLRZ 2001 / OIL PUMP



©2013 Yamaha Motor Corporation, U.S.A. All rights reserved.


## Part List

130TLRZ 2001 / OIL PUMP

REF - NO	PART NUMBER	PART NAME	QUANTITY	REMARKS
1	6N7-13200-00-00	OIL INJECTION PUMP ASSY	1	UR 130,L130
2	6R3-13471-00-00	.PLUG, DRAIN	1	
3	6L2-13475-00-00	.GASKET	1	
4	93210-19MA7-00	.O-RING	1	
5	90109-06M40-00	BOLT	1	
6	90109-06M39-00	BOLT	1	
7	6N7-13416-00-00	PIPE, OIL 1	1	
8	90465-11M10-00	CLAMP	2	
9	90445-07M89-00	HOSE (L310)	2	
10	90445-07196-00	HOSE (L160)	1	
11	90445-07M72-00	HOSE (L250)	1	
12	6R3-13183-10-00	VALVE, CHECK	4	
13	90445-07M87-00	HOSE (L110)	4	
14	90464-07M06-00	CLAMP	1	
15	90468-07M02-00	CLIP	16	
16	6R3-11537-00-00	GEAR, DRIVEN	1	
17	6R3-13117-00-00	COLLAR, DISTANCE	1	
18	93210-13M04-00	O-RING	1	
19	90202-08M44-00	WASHER, PLATE	1	
20	6R3-41241-00-00	ROD, LINK	1	
21	6H1-41237-00-00	JOINT, LINK	1	
22	95380-05600-00	NUT	1	
23	6R5-41237-00-00	JOINT, LINK	1	
24	90468-05M03-00	CLIP	1	
25	90202-05088-00	WASHER, PLATE	1	
26	6E5-14276-01-00	LEVER	1	
27	91690-30016-00	PIN, SPRING	1	

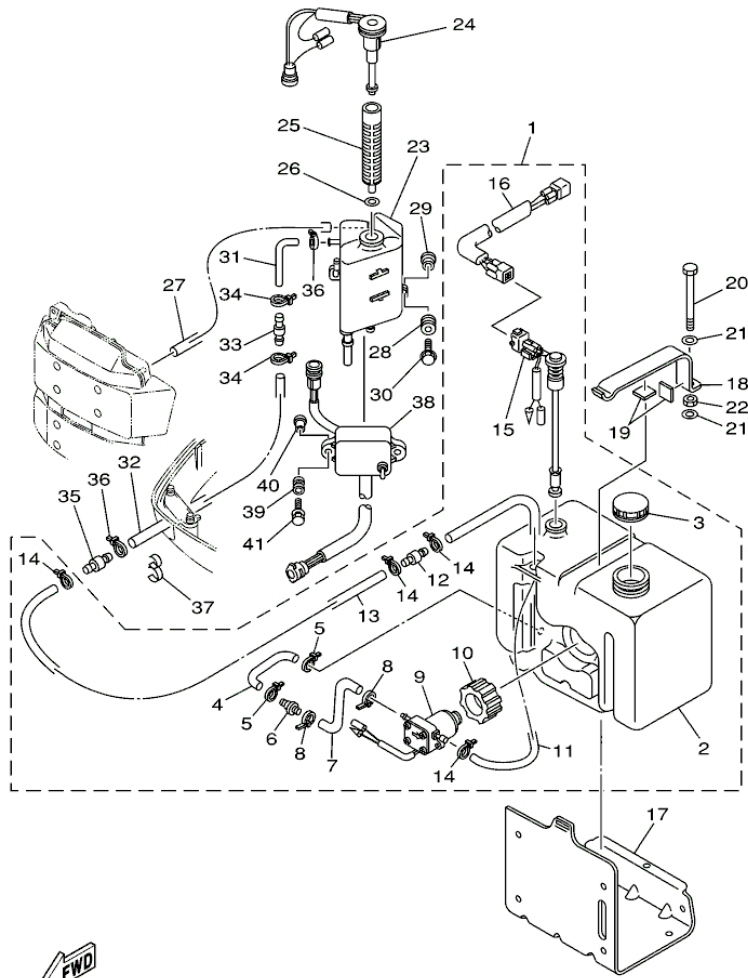
## Part Notes

130TLRZ 2001 / OIL PUMP

PART NUMBER	NOTE TEXT
6H1-41237-00-00 	OEM: This part number is among the Top 100 Most Popular Marine Maintenance Parts as of August 2013.

©2013 Yamaha Motor Corporation, U.S.A. All rights reserved.

130TLRZ 2001 / OIL TANK



6N60010-0081

©2013 Yamaha Motor Corporation, U.S.A. All rights reserved.



## Part List

130TLRZ 2001 / OIL TANK

REF - NO	PART NUMBER	PART NAME	QUANTITY	REMARKS
1	6K1-21708-04-00	OIL TANK SUB-ASSY	1	AP L130
1	6E5-21708-08-00	OIL TANK SUB-ASSY	1	AP 115,130
2	6E5-21733-02-00	.SUB TANK, OIL (105L)	1	
3	6E5-21770-03-00	.OIL TANK CAP ASSY	1	
4	6E5-24322-00-00	.PIPE 11	1	
5	90465-11M10-00	.CLAMP	2	
6	646-24251-02-00	.STRAINER 1	1	
7	6E5-24319-01-00	.PIPE, OIL	1	
8	90465-11M10-00	.CLAMP	2	
9	6E5-81900-01-00	.OIL FEED PUMP ASSY	1	
10	6E5-81922-00-00	.GROMMET	1	
11	6E5-24321-01-00	.PIPE 10	1	
12	6E5-24379-00-00	.PIPE, JOINT 4	1	
13	90445-11M00-00	.HOSE (L8000)	1	UR L130
13	90445-11M81-00	.HOSE (L3000)	1	UR 115,130
14	90465-11M10-00	.CLAMP	4	
15	6E5-85720-04-00	.OIL LEVEL GAUGE ASSY	1	
16	6R3-85721-80-00	.WIRE, LEAD (L=80M)	1	UR L130
16	6R3-85721-30-00	.WIRE, LEAD (L=30M)	1	UR 115,130
17	6E5-21734-01-33	HOLDER, OIL SUB TANK	1	AP
18	6E5-21798-01-33	BRACKET, DAMPER	1	AP
19	6E5-21746-00-00	DAMPER	2	AP
20	97080-06100-00	BOLT	1	AP
21	92990-06600-00	WASHER, PLATE	2	AP
22	95380-06600-00	NUT, HEXAGON	1	AP
23	6E5-21750-05-00	OIL TANK ASSY	1	
24	6G7-85730-03-00	OIL LEVEL GAUGE ASSY	1	
25	6E5-13411-00-00	STRAINER, OIL	1	
26	6E5-13414-00-00	GASKET, STRAINER COVER	1	
27	90445-05M02-00	HOSE (L380)	1	
28	6A0-82317-00-00	DAMPER, IGNITION COIL	3	
29	624-42542-00-00	PIPE	3	
30	90119-06M65-00	BOLT, WITH WASHER	3	
31	64E-24323-00-00	PIPE 12	1	
32	90445-12207-00	HOSE (L2400)	1	
33	6E5-24379-00-00	PIPE, JOINT 4	1	
34	90465-11M10-00	CLAMP	2	
35	6E5-24379-00-00	PIPE, JOINT 4	1	
36	90465-11M10-00	CLAMP	2	
37	90464-13M34-00	CLAMP	1	
38	6E5-85740-02-00	CONTROL UNIT ASSY	1	
39	6A0-82317-00-00	DAMPER, IGNITION COIL	2	
40	624-42542-00-00	PIPE	2	
41	90119-06M65-00	BOLT, WITH WASHER	2	

## Part Notes

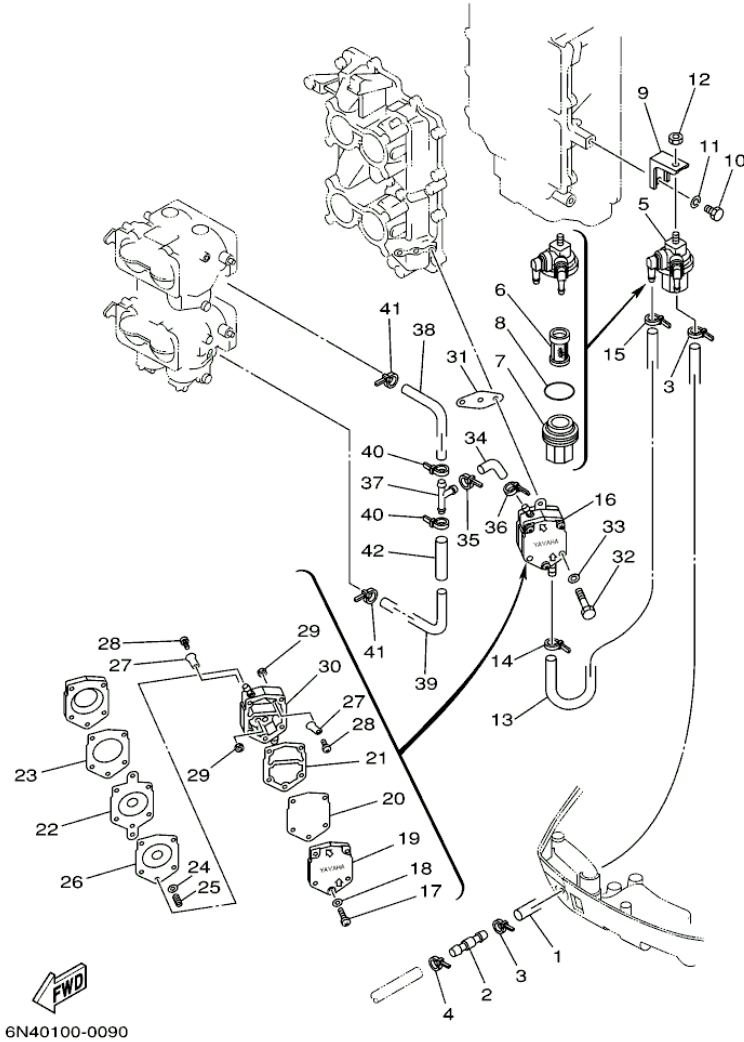
130TLRZ 2001 / OIL TANK

PART NUMBER	NOTE TEXT
646-24251-02-00 	OEM: This part number is among the Top 100 Most Popular Marine Maintenance Parts as of August 2013.
92990-06600-00 	OEM: This part number is among the Top 100 Most Popular Marine Maintenance Parts as of August 2013.

©2013 Yamaha Motor Corporation, U.S.A. All rights reserved.



130TLRZ 2001 / FUEL



6N40100-0090

©2013 Yamaha Motor Corporation, U.S.A. All rights reserved.


## Part List

130TLRZ 2001 / FUEL

REF - NO	PART NUMBER	PART NAME	QUANTITY	REMARKS
1	6R3-24313-20-00	PIPE 3 (L2820)	1	
2	6R3-24377-00-00	PIPE, JOINT 2	1	
3	90465-11M10-00	CLAMP	2	
4	90465-11M10-00	CLAMP	1	
5	6R3-24560-00-00	FILTER ASSY	1	
6	61N-24563-00-00	.ELEMENT, FILTER	1	
7	61N-24521-00-00	.CUP, FILTER	1	
8	93210-32738-00	.O-RING	1	
9	6E5-24566-00-00	BRACKET, FILTER	1	
10	97013-06014-00	BOLT	1	
11	92903-06100-00	WASHER, SPRING	1	
12	95380-08600-00	NUT	1	
13	6E5-24314-00-00	PIPE 4	1	
14	90465-11M10-00	CLAMP	1	
15	90465-11M10-00	CLAMP	1	
16	6E5-24410-10-00	FUEL PUMP ASSY	1	
17	98503-05035-00	.SCREW, PAN HEAD	3	
18	92903-05600-00	.WASHER, PLATE	3	
19	6E5-24413-00-00	.BODY 2	1	
20	6E5-24471-00-00	.DIAPHRAGM	1	
21	6E5-24435-00-00	.GASKET, BODY 2	1	
22	6E5-24411-10-00	.DIAPHRAGM	1	
23	6E5-24436-00-00	.GASKET, BODY 3	1	
24	6E5-24424-00-00	.SEAT, SPRING	1	
25	6E5-24423-00-00	.SPRING, DIAPHRAGM	1	
26	6E5-24434-02-00	.GASKET, BODY	1	
27	6A0-24421-01-00	.VALVE, CHECK	4	
28	6A0-14325-00-00	.SCREW, PAN HEAD	4	
29	95380-03600-00	.NUT	4	
30	6E5-24412-10-00	.BODY 1	1	
31	650-24431-A0-00	GASKET, FUEL PUMP 1	1	
32	97095-06050-00	BOLT	2	
33	92995-06600-00	WASHER	2	
34	6G5-24316-10-00	PIPE 6	1	
35	90465-11M10-00	CLAMP	1	
36	90465-11M10-00	CLAMP	1	
37	6E5-24376-10-00	PIPE, JOINT 1	1	
38	6G5-24318-10-00	PIPE, OVERFLOW	1	
39	6G5-24319-10-00	PIPE, OIL	1	
40	90465-11M10-00	CLAMP	2	
41	90465-11M10-00	CLAMP	2	
42	90446-15M07-00	HOSE (L60)	1	

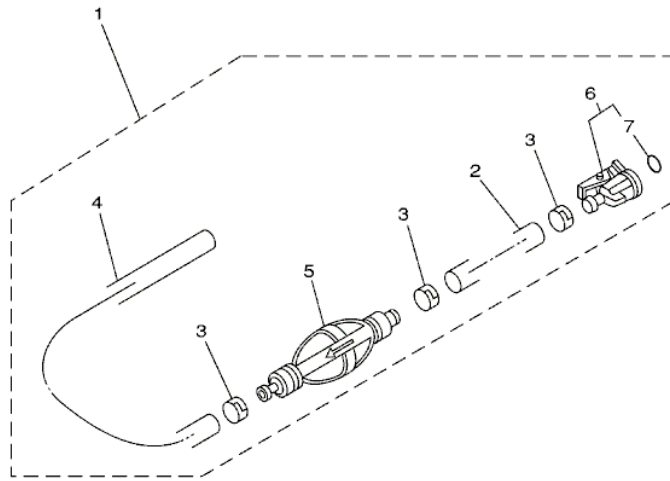
## Part Notes

130TLRZ 2001 / FUEL

PART NUMBER	NOTE TEXT
650-24431-A0-00 	OEM: This part number is among the Top 100 Most Popular Marine Maintenance Parts as of August 2013.

©2013 Yamaha Motor Corporation, U.S.A. All rights reserved.

130TLRZ 2001 / FUEL 2



64L0100-1100

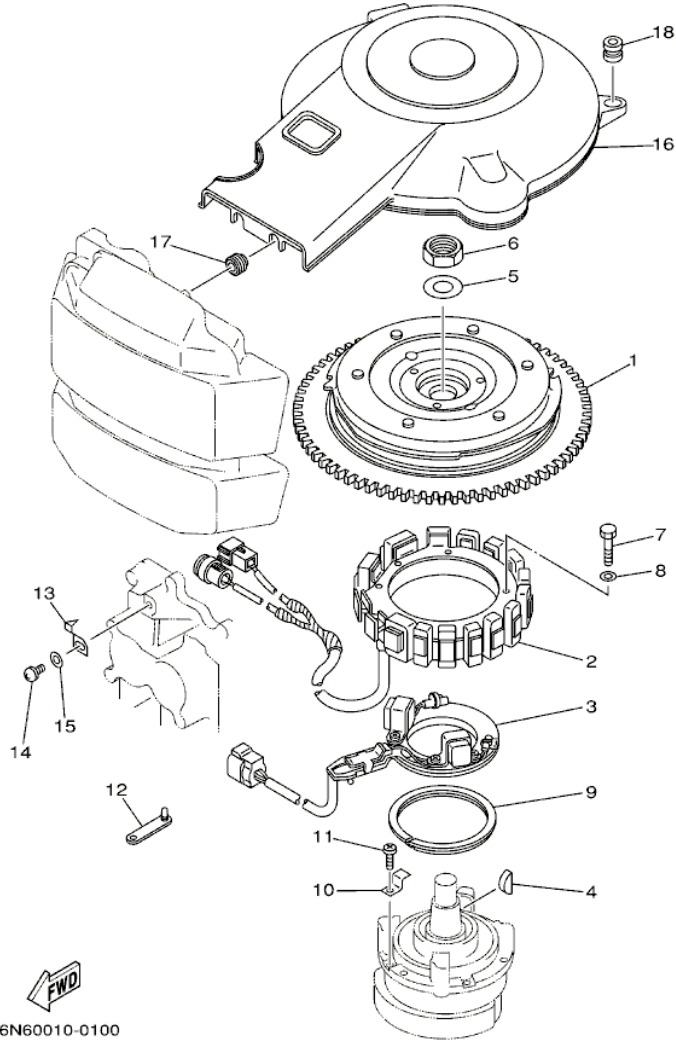
©2013 Yamaha Motor Corporation, U.S.A. All rights reserved.

## Part List

130TLRZ 2001 / FUEL 2

REF - NO	PART NUMBER	PART NAME	QUANTITY	REMARKS
1	6Y2-24306-42-00	FUEL PIPE COMP. 1	1	AP
2	90445-13M01-00	.HOSE (L2050)	1	
3	6E5-24351-51-00	.BAND 1	3	
4	90445-13M35-00	.HOSE (L250)	1	
5	6Y2-24360-52-00	.PRIMER PUMP ASSY	1	
6	6Y2-24305-04-00	.FUEL PIPE JOINT COMP 2	1	
7	93210-08287-00	..O-RING	1	

130TLRZ 2001 / GENERATOR



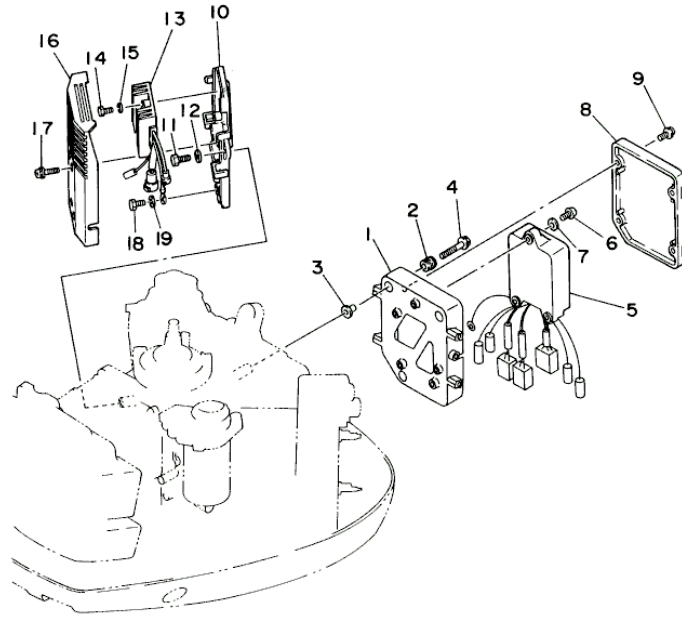
©2013 Yamaha Motor Corporation, U.S.A. All rights reserved.

## Part List

130TLRZ 2001 / GENERATOR

REF - NO	PART NUMBER	PART NAME	QUANTITY	REMARKS
1	6N7-85550-00-00	ROTOR ASSY	1	
2	6N7-85510-00-00	STATOR ASSY	1	
3	6E5-85580-00-00	COIL, PULSER	1	
4	90280-05015-00	KEY, WOODRUFF	1	
5	90201-21M18-00	WASHER, PLATE	1	
6	90170-20137-00	NUT	1	
7	97013-06065-00	BOLT	4	
8	92903-06600-00	WASHER, PLATE	4	
9	688-41611-00-00	RETAINER, MAGNETO BASE	1	
10	688-41612-00-00	RETAINER, MAGNETO BASE	4	
11	97880-06018-00	SCREW, PAN HEAD	4	
12	90464-12M00-00	CLAMP	1	
13	6E5-81332-00-00	PLATE, TIMING	1	
14	97885-06010-00	SCREW, PAN HEAD	1	
15	92995-06600-00	WASHER	1	
16	6N7-81337-00-00	COVER, FLYWHEEL	1	
17	90480-12M11-00	GROMMET	2	
18	663-82317-01-00	DAMPER, IGNITION COIL	2	

130TLRZ 2001 / ELECTRICAL 1



6N60010-4110

©2013 Yamaha Motor Corporation, U.S.A. All rights reserved.


## Part List

130TLRZ 2001 / ELECTRICAL 1

REF - NO	PART NUMBER	PART NAME	QUANTITY	REMARKS
1	6N7-85542-01-1S	BRACKET	1	
2	6A0-82317-00-00	DAMPER, IGNITION COIL	3	
3	624-42542-00-00	PIPE	3	
4	90119-06M59-00	BOLT, WITH WASHER	3	
5	6N7-85540-01-00	C.D.I. UNIT ASSY	1	
6	97880-06020-00	SCREW, PAN HEAD	3	
7	92990-06600-00	WASHER, PLATE	3	
8	6N7-85537-00-00	COVER	1	
9	90159-06M11-00	SCREW, WITH WASHER	4	
10	6N7-81948-00-94	BRACKET	1	
11	97013-06016-00	BOLT	3	
12	92903-06600-00	WASHER, PLATE	3	
13	6R3-81960-00-00	RECTIFIER & REGULATOR ASSY	1	
14	97013-06025-00	BOLT	2	
15	92903-06600-00	WASHER, PLATE	2	
16	6R3-81942-00-00	COVER	1	
17	90159-06M08-00	SCREW, WITH WASHER	4	
18	97013-06012-00	BOLT	1	
19	92903-06600-00	WASHER, PLATE	1	

## Part Notes

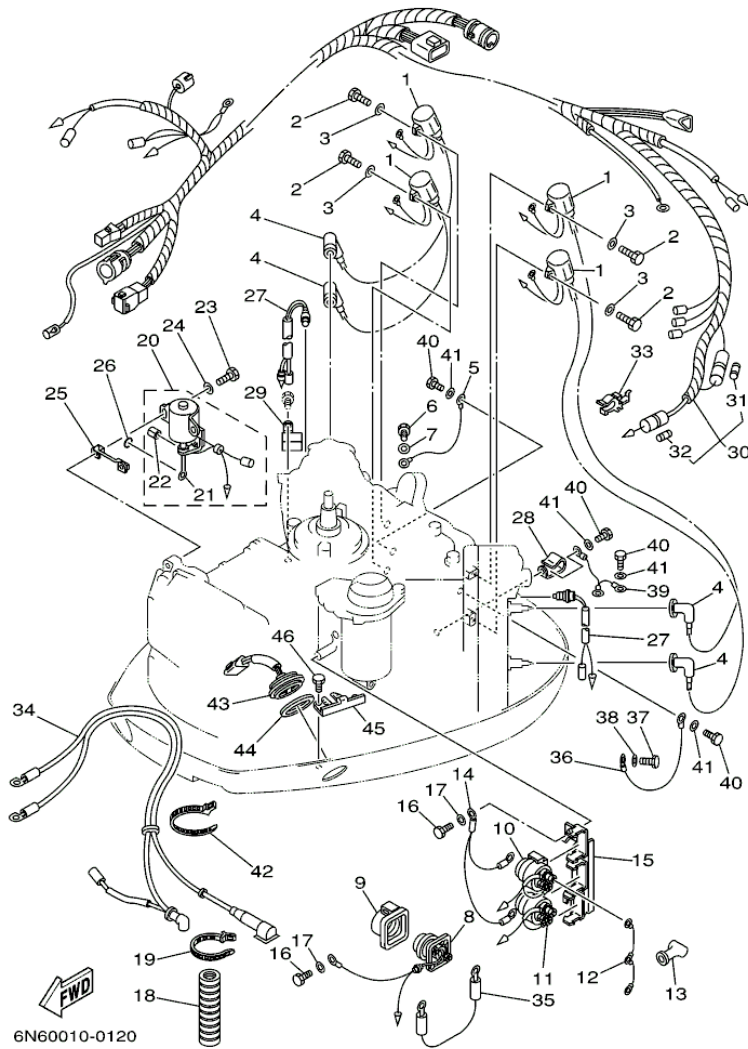
130TLRZ 2001 / ELECTRICAL 1

PART NUMBER	NOTE TEXT
92990-06600-00 	OEM: This part number is among the Top 100 Most Popular Marine Maintenance Parts as of August 2013.

©2013 Yamaha Motor Corporation, U.S.A. All rights reserved.



130TLRZ 2001 / ELECTRICAL 2



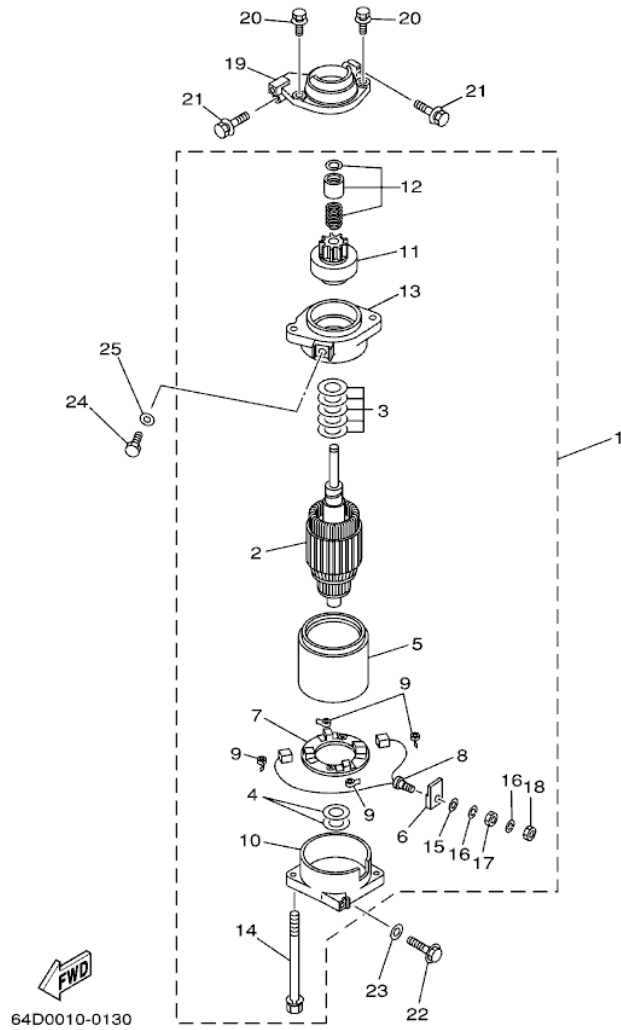
©2013 Yamaha Motor Corporation, U.S.A. All rights reserved.

## Part List

130TLRZ 2001 / ELECTRICAL 2

REF - NO	PART NUMBER	PART NAME	QUANTITY	REMARKS
1	6R3-85570-01-00	IGNITION COIL ASSY	4	
2	97095-06020-00	BOLT	4	
3	92995-06600-00	WASHER	4	
4	663-82370-01-00	PLUG CAP ASSY	4	
5	662-82519-00-00	WIRE, EARTH LEAD	1	
6	97095-06012-00	BOLT	1	
7	92995-06600-00	WASHER	1	
8	61A-81941-00-00	STARTER RELAY ASSY	1	
9	689-81952-10-00	HOLDER, RELAY	1	
10	6E5-81950-00-00	RELAY ASSY	1	
11	6E5-8195A-00-00	RELAY ASSY	1	
12	6G5-87149-10-00	CONNECTOR	1	
13	6G5-82119-00-00	COVER, LEAD WIRE	2	
14	6E5-82116-00-00	WIRE, MINUS LEAD	1	
15	6E5-81948-22-00	BRACKET	1	
16	97095-06016-00	BOLT	2	
17	92995-06600-00	WASHER	2	
18	6N7-83557-00-00	TUBE (I.DIA:22MM)	1	
19	90465-13M18-00	CLAMP	1	
20	6N7-86110-00-00	SOLENOID	1	
21	6N7-86116-00-00	.WIRE, PULL	1	
22	91609-30010-00	.PIN, SPRING	1	
23	97095-06030-00	BOLT	2	
24	92995-06600-00	WASHER	2	
25	6N7-86112-00-00	STAY, SOLENOID	1	
26	93210-03261-00	O-RING	1	
27	688-82560-10-00	THERMO SWITCH ASSY	2	
28	90465-05M87-00	CLAMP	1	
29	90465-08M89-00	CLAMP	1	
30	6N7-82590-14-00	WIRE HARNESS ASSY	1	
31	663-82151-00-00	.FUSE (12V-20A)	1	
32	705-82151-00-00	.FUSE (30A)	1	
33	6G5-82152-00-00	HOLDER, FUSE	2	
34	6N7-82105-02-00	WIRE HARNESS	1	
35	6N7-82117-00-00	WIRE, LEAD	1	
36	6R3-82519-00-00	WIRE, EARTH LEAD	1	
37	97095-06012-00	BOLT	1	
38	92995-06600-00	WASHER	1	
39	6E5-82531-10-00	WIRE, LEAD	1	
40	97095-06012-00	BOLT	4	
41	92995-06600-00	WASHER	4	
42	90465-13M18-00	CLAMP	1	
43	6R3-82563-00-00	TRIM & TILT SWITCH ASSY	1	
44	6E5-82587-00-00	GASKET	1	
45	6R3-83614-00-00	BRACKET	1	
46	97095-06012-00	BOLT	2	

130TLRZ 2001 / STARTING MOTOR



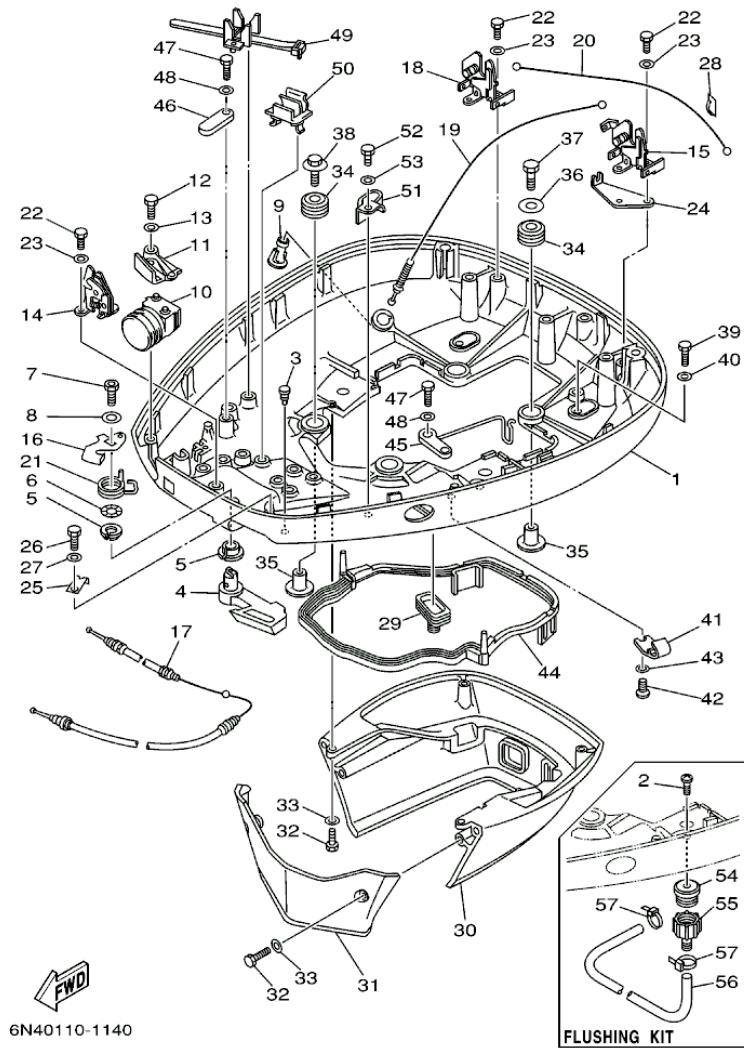
©2013 Yamaha Motor Corporation, U.S.A. All rights reserved.

## Part List

130TLRZ 2001 / STARTING MOTOR

REF - NO	PART NUMBER	PART NAME	QUANTITY	REMARKS
1	6N7-81800-10-00	STARTING MOTOR ASSY	1	
2	6N7-81850-10-00	.ARMATURE ASSY	1	
3	61A-81809-00-00	.WASHER KIT	1	
4	61A-81824-00-00	.WASHER 2	2	
5	6N7-81810-00-00	.STATOR ASSY	1	
6	6K7-8182G-10-00	.BUSH, TERMINAL	1	
7	6N7-81840-00-00	.BRUSH HOLDER ASSY	1	
8	6N7-81801-00-00	.BRUSH SET	1	
9	6N7-81813-00-00	.SPRING, BRUSH	4	
10	6N7-81820-10-00	.REAR BRACKET ASSY	1	
11	6N7-81807-00-00	.GEAR ASSY, STARTING MOTOR	1	
12	6N7-81857-00-00	.RETAINER	1	
13	6N7-81830-00-00	.FRONT BRACKET ASSY	1	
14	6K7-81826-10-00	.BOLT	2	
15	6E5-8182E-10-00	.WASHER	1	
16	6E5-8182F-10-00	.WASHER	2	
17	6E5-8182A-10-00	.NUT	1	
18	6E5-8182K-10-00	.NUT	1	
19	6R3-81822-00-94	BRACKET, STARTING MOTOR	1	
20	90119-08M76-00	BOLT, WITH WASHER	2	
21	90119-08M77-00	BOLT, WITH WASHER	2	
22	90119-08M57-00	BOLT, WITH WASHER	1	
23	92990-08600-00	.WASHER, PLATE	1	
24	97095-08016-00	BOLT	1	
25	92995-08600-00	WASHER	1	

130TLRZ 2001 / BOTTOM COWLING



©2013 Yamaha Motor Corporation, U.S.A. All rights reserved.

## Part List


130TLRZ 2001 / BOTTOM COWLING

REF - NO	PART NUMBER	PART NAME	QUANTITY	REMARKS
1	6N7-42711-43-8D	COWLING, BOTTOM 1	1	
2	90169-05M00-00	SCREW, TRUSS HEAD TAPPING	1	FLUSHING KIT
3	6H4-42748-00-00	GROMMET	1	
4	6N7-42815-01-8D	LEVER, CLAMP	1	
5	90386-13M88-00	BUSH	2	
6	90206-13M10-00	WASHER, WAVE	1	
7	90109-08M45-00	BOLT	1	
8	92990-08200-00	WASHER, PLAIN	1	
9	6E5-44391-00-00	NIPPLE, HOSE	1	
10	6N7-42725-30-00	GROMMET	1	
11	6N7-42738-02-5B	PLATE, FITTING	1	
12	97095-06016-00	BOLT	2	
13	92995-06600-00	WASHER	2	
14	6R3-42824-00-00	BASE, CLAMP LEVER	1	
15	6R3-42811-01-00	STAY	1	
16	6R3-42816-00-00	LEVER, CLAMP	1	
17	6N7-42850-00-00	WIRE COMPLETE	1	
18	6R3-42811-10-00	STAY	1	
19	6N7-42850-10-00	WIRE COMPLETE	1	
20	6N7-42850-20-00	WIRE COMPLETE	1	
21	6R3-42813-00-00	SPRING, CLAMP LEVER	1	
22	97095-06016-00	BOLT	6	
23	92995-06600-00	WASHER	6	
24	6N7-42828-00-00	PLATE, CLAMP	1	
25	6R3-42828-00-00	PLATE, CLAMP	1	
26	97095-06010-00	BOLT	1	
27	92995-06600-00	WASHER	1	
28	6N7-42841-00-00	MARK, CLAMP	1	
29	688-42726-10-00	GROMMET	1	
30	6N7-42741-01-8D	APRON	1	
31	6R3-42771-01-8D	APRON	1	
32	97095-06020-00	BOLT	4	
33	92995-06600-00	WASHER	4	
34	90480-22M15-00	GROMMET	4	
35	90387-08M37-00	COLLAR	4	
36	90201-08M54-00	WASHER, PLATE	1	
37	97075-08035-00	BOLT	1	
38	90119-08M22-00	BOLT, WITH WASHER	3	
39	97095-06020-00	BOLT	2	
40	92995-06600-00	WASHER	2	
41	6E5-24367-10-00	CLAMP, FUEL PIPE 2	1	
42	90157-06M01-00	SCREW, PAN HEAD	1	
43	92990-06600-00	WASHER, PLATE	1	
44	6E5-42716-00-00	RUBBER, SEAL 1	1	
45	6K7-82588-00-00	PLATE	1	
46	6E5-82588-00-00	PLATE	1	
47	97095-06020-00	BOLT	2	
48	92995-06600-00	WASHER	2	
49	688-82594-00-00	CLAMP	1	
50	6E5-82594-00-00	CLAMP	4	
51	90465-12M25-00	CLAMP	1	
52	97095-06012-00	BOLT	1	
53	92995-06600-00	WASHER	1	

54	6R3-12572-00-00	.ADAPTER	1	FLUSHING KIT
55	6R3-12580-00-00	.JOINT ASSY	1	FLUSHING KIT
56	90445-11M35-00	.HOSE (L540)	1	FLUSHING KIT
57	90465-11M10-00	CLAMP	2	FLUSHING KIT

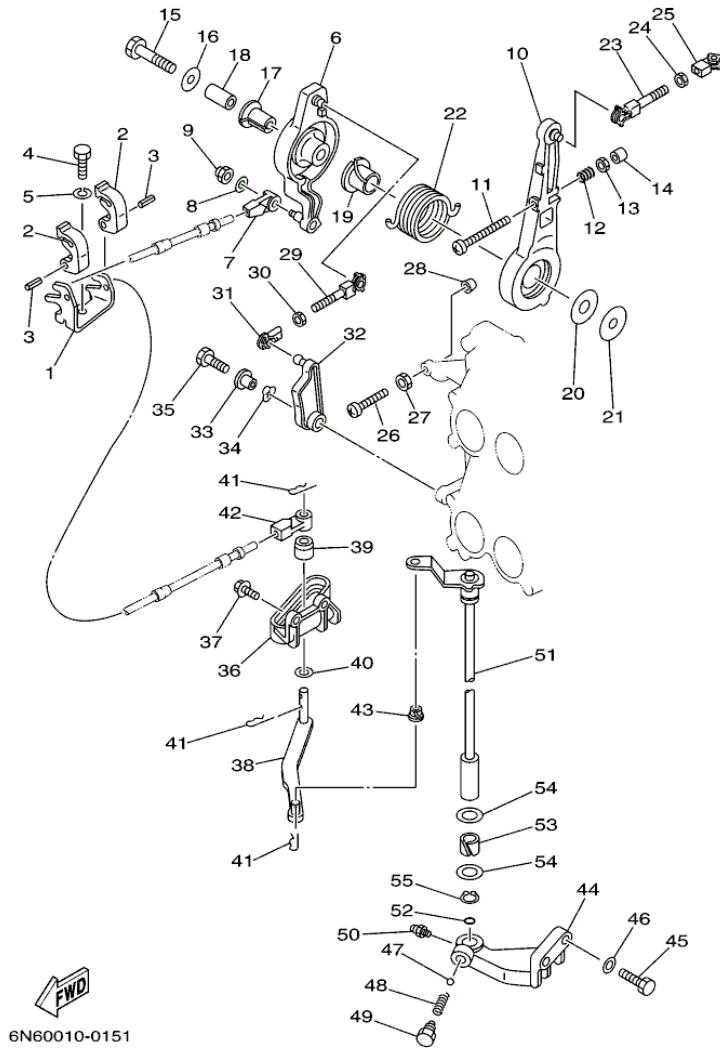
## Part Notes

130TLRZ 2001 / BOTTOM COWLING

PART NUMBER		NOTE TEXT
92990-06600-00		OEM: This part number is among the Top 100 Most Popular Marine Maintenance Parts as of August 2013.

©2013 Yamaha Motor Corporation, U.S.A. All rights reserved.

130TLRZ 2001 / CONTROL



©2013 Yamaha Motor Corporation, U.S.A. All rights reserved.



## Part List


130TLRZ 2001 / CONTROL

REF - NO	PART NUMBER	PART NAME	QUANTITY	REMARKS
1	6E5-48531-00-00	BRACKET, REMOTE CONTROL 1	1	
2	6E5-48538-00-00	CLAMP, CABLE	2	
3	91690-30012-00	PIN, SPRING	2	
4	97095-08020-00	BOLT	1	
5	92995-08100-00	WASHER	1	
6	6E5-41632-02-1S	LEVER, MAGNETO CONTROL	1	
7	6E5-48344-00-00	CABLE END, REMOTE CONTROL	1	
8	92990-06200-00	..WASHER, PLAIN	1	
9	90185-06M07-00	NUT, SELF-LOCKING	1	
10	6E5-41631-01-1S	LEVER, MAGNETO CONTROL	1	
11	90157-06013-00	SCREW, PAN HEAD	1	
12	90501-16M12-00	SPRING, COMPRESSION	1	
13	95303-06600-00	.NUT	1	
14	688-44194-00-00	CAP	1	
15	97013-08045-00	BOLT	1	
16	90201-08M23-00	WASHER, PLATE	1	
17	90386-12089-00	BUSH	1	
18	90387-08M16-00	COLLAR	1	
19	90386-22M13-00	BUSH	1	
20	90202-12092-00	WASHER, PLATE	1	
21	90201-08M13-00	WASHER, PLATE	1	
22	90508-29M12-00	SPRING, TORSION	1	
23	6E5-41636-01-00	ROD, MAGNETO CONTROL	1	
24	95380-05600-00	NUT	1	
25	662-41237-01-00	JOINT, LINK	1	
26	90157-06013-00	SCREW, PAN HEAD	1	
27	95303-06600-00	.NUT	1	
28	688-44194-00-00	CAP	1	
29	688-41636-00-00	ROD, MAGNETO CONTROL	1	
30	95380-05600-00	NUT	1	
31	662-41237-01-00	JOINT, LINK	1	
32	6E5-41213-00-00	CAM, ACCEL.	1	
33	90387-06M29-00	COLLAR	1	
34	90206-10M04-00	WASHER, WAVE	1	
35	97095-06025-00	BOLT	1	
36	6E5-44117-00-1S	BRACKET	1	
37	90119-06MA2-00	BOLT, WITH WASHER	2	
38	68F-44121-00-00	LEVER, SHIFT ROD	1	
39	6E5-44122-00-00	BUSHING, SHIFT ROD LEVER	1	
40	90202-08M20-00	WASHER, PLATE	1	
41	90468-18008-00	CLIP	3	
42	6E5-48344-00-00	CABLE END, REMOTE CONTROL	1	
43	90386-06M12-00	BUSH	1	
44	6E5-44118-01-94	BRACKET	1	
45	97013-08030-00	BOLT	2	
46	92903-08600-00	WASHER, PLATE	2	
47	93501-04M02-00	BALL	1	
48	90501-12082-00	SPRING, COMPRESSION	1	
49	648-42715-00-00	BUSHING	1	
50	93700-06M03-00	NIPPLE, GREASE	1	
51	6E5-44120-23-00	HANDLE GEAR SHIFT ASSY	1	UR X

51	6E5-44120-03-00	HANDLE GEAR SHIFT ASSY	1	UR L
52	93210-09165-00	O-RING	1	
53	90386-16M66-00	BUSH	1	
54	90202-16061-00	WASHER, PLATE	2	
55	93410-16006-00	CIRCLIP	1	

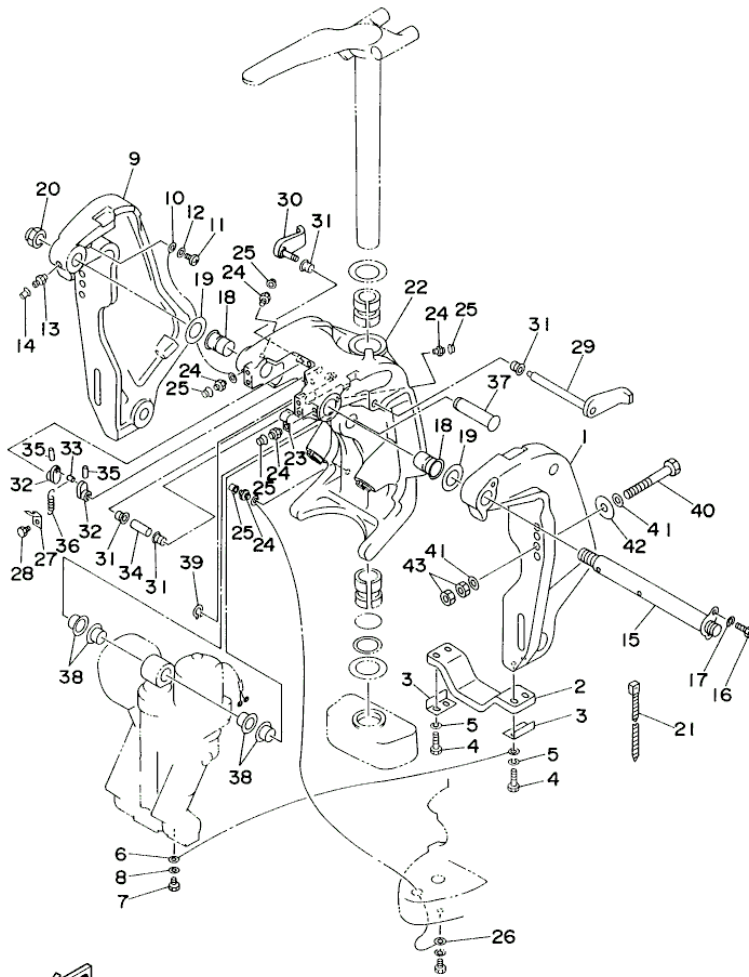
## Part Notes

130TLRZ 2001 / CONTROL

PART NUMBER		NOTE TEXT
93700-06M03-00		OEM: This part number is among the Top 100 Most Popular Marine Maintenance Parts as of August 2013.

©2013 Yamaha Motor Corporation, U.S.A. All rights reserved.

130TLRZ 2001 / BRACKET 1



  
6N60010-7160

©2013 Yamaha Motor Corporation, U.S.A. All rights reserved.


## Part List




130TLRZ 2001 / BRACKET 1

REF - NO	PART NUMBER	PART NAME	QUANTITY	REMARKS
1	64E-43111-01-8D	BRACKET, CLAMP	1	
2	6G5-45251-01-00	ANODE	1	
3	6G5-44526-00-00	PLATE	2	
4	97095-06030-00	BOLT	4	
5	92995-06100-00	WASHER, SPRING	4	
6	6E5-82148-00-00	WIRE, LEAD 4	1	
7	97095-06010-00	BOLT	1	
8	92995-06600-00	WASHER	1	
9	64E-43112-01-8D	BRACKET, CLAMP	1	
10	6E5-82148-00-00	WIRE, LEAD 4	1	
11	97880-06012-00	SCREW, PAN HEAD	1	
12	92990-06600-00	WASHER, PLATE	1	
13	93700-06M03-00	NIPPLE, GREASE	1	
14	663-45119-00-00	CAP, GREASE NIPPLE	1	AP
15	64E-43131-01-00	BOLT, CLAMP BRACKET	1	
16	97095-08020-00	BOLT	1	
17	92995-08100-00	WASHER	1	
18	90386-25M31-00	BUSH	2	
19	90201-26M59-00	WASHER, PLATE	2	
20	90185-22M11-00	NUT, SELF-LOCKING	1	
21	90465-11M10-00	CLAMP	1	
22	64E-43311-20-8D	BRACKET, SWIVEL 1	1	UR X
22	64E-43311-10-8D	BRACKET, SWIVEL 1	1	UR L
23	90465-08M63-00	CLAMP	1	
24	93700-06M03-00	NIPPLE, GREASE	5	
25	663-45119-00-00	CAP, GREASE NIPPLE	5	AP
26	6E5-82147-20-00	WIRE, LEAD 5	1	UR X
26	6E5-82147-00-00	WIRE, LEAD 5	1	UR L
27	6G5-43144-00-00	HOOK, SPRING	1	
28	97095-06010-00	BOLT	1	
29	6G5-43181-02-00	LEVER, TILT STOP 1	1	
30	6G5-43185-02-00	LEVER, TILT STOP 2	1	
31	90386-10M16-00	BUSH	4	
32	6G5-43148-00-00	COLLAR, DISTANCE	2	
33	90249-06M19-00	PIN	1	
34	90387-10M05-00	COLLAR	1	
35	91690-30020-00	PIN, SPRING	2	
36	90506-14M24-00	SPRING, TENSION	1	
37	64E-43126-00-00	PIN, UPPER SHOCK MOUNT	1	
38	90386-22M98-00	BUSH	4	
39	93410-22M11-00	CIRCLIP	1	
40	90101-12M77-00	BOLT (L:150MM)	2	UR
40	90101-12M05-00	BOLT (L:130MM)	4	UR
41	90201-13M01-00	WASHER, PLATE	8	
42	90201-12M05-00	WASHER, PLATE	4	
43	95380-12600-00	NUT	8	

## Part Notes

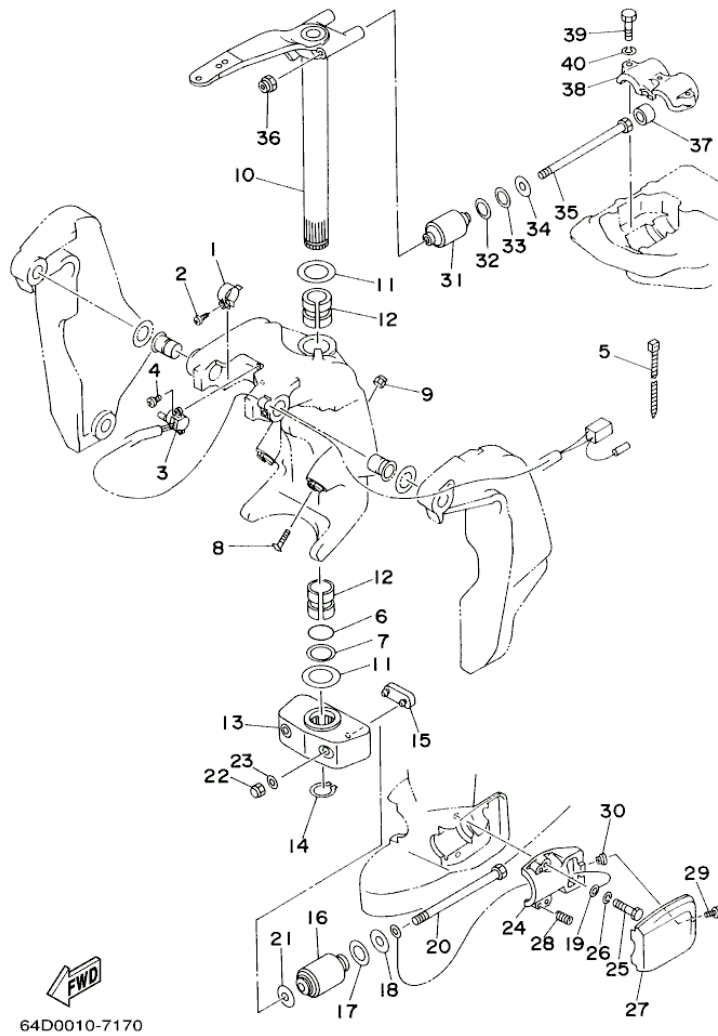
130TLRZ 2001 / BRACKET 1

PART NUMBER	NOTE TEXT
92995-06100-00 	OEM: This part number is among the Top 100 Most Popular Marine Maintenance Parts as of August 2013.
92990-06600-00	OEM: This part number is among the Top 100 Most Popular Marine Maintenance Parts as of August 2013.

		
93700-06M03-00		OEM: This part number is among the Top 100 Most Popular Marine Maintenance Parts as of August 2013.
93700-06M03-00		OEM: This part number is among the Top 100 Most Popular Marine Maintenance Parts as of August 2013.

©2013 Yamaha Motor Corporation, U.S.A. All rights reserved.

130TLRZ 2001 / BRACKET 2



64D0010-7170

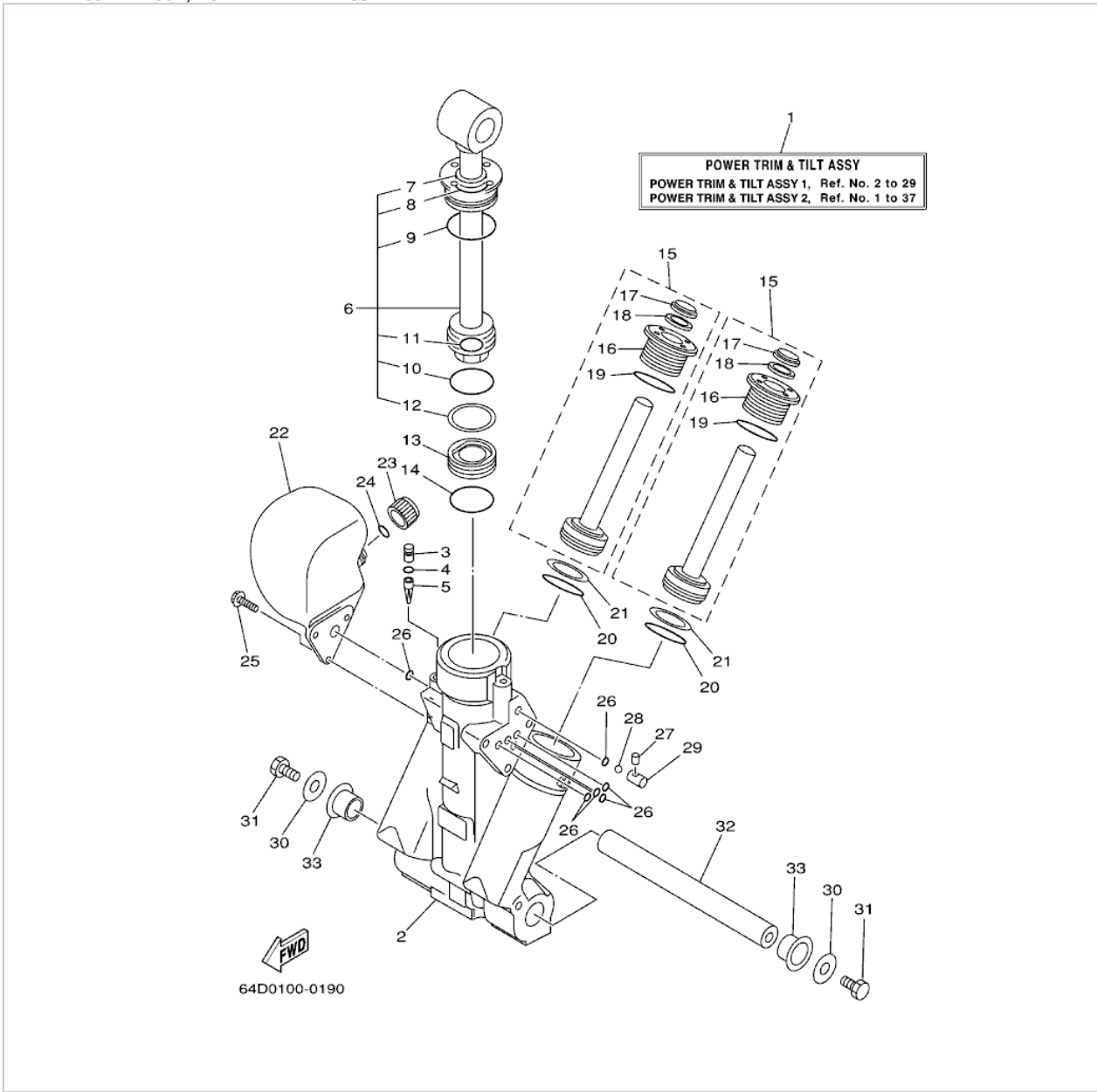
©2013 Yamaha Motor Corporation, U.S.A. All rights reserved.

## Part List

130TLRZ 2001 / BRACKET 2

REF - NO	PART NUMBER	PART NAME	QUANTITY	REMARKS
1	64E-43139-01-00	CAM, TRIM SENDER	1	
2	97780-60525-00	SCREW, TAPPING	1	
3	64E-83672-02-00	TRIM SENDER	1	
4	97885-06016-00	SCREW, PAN HEAD	2	
5	90465-11M10-00	CLAMP	3	
6	93210-37MH7-00	O-RING	1	
7	90202-40M47-00	WASHER, PLATE	1	
8	61A-43376-00-00	BOLT, THRUST RECEIVER	2	
9	95780-10300-00	NUT, FLANGE	2	
10	6E5-42510-B1-8D	STEERING BRACKET ASSY	1	UR X
10	6E5-42510-A1-8D	STEERING BRACKET ASSY	1	UR L
11	90201-38M60-00	WASHER, PLATE	2	
12	90386-38M32-00	BUSH	2	
13	6G5-44551-01-8D	HOUSING, LOWER MOUNT RUBBER	1	
14	93410-37M04-00	CIRCLIP	1	
15	6E5-44575-00-00	DAMPER, LOWER MOUNT RUBBER	1	
16	6E5-44555-00-94	MOUNT DAMPER, LOWER SIDE	2	
17	90202-32M19-00	WASHER, PLATE	2	
18	90201-16M55-00	WASHER, PLATE	2	
19	6E5-82149-00-00	WIRE, LEAD 3	1	
20	90109-14M34-00	BOLT	2	
21	90201-15M58-00	WASHER, PLATE	2	
22	95380-14800-00	NUT	2	
23	92995-14600-00	WASHER	2	
24	6E5-44552-01-94	HOUSING, LOWER MOUNT RUBBER	2	
25	97095-10045-00	BOLT	4	
26	92995-10100-00	WASHER	4	
27	6E5-44553-01-8D	COVER, LOWER MOUNT	2	
28	90501-16M28-00	SPRING, COMPRESSION	4	
29	97885-06016-00	SCREW, PAN HEAD	2	
30	90179-06066-00	NUT	2	
31	6E5-44514-00-94	MOUNT DAMPER, UPPER SIDE	2	
32	90201-26M57-00	WASHER, PLATE	2	
33	90202-26M18-00	WASHER, PLATE	2	
34	90201-14M56-00	WASHER, PLATE	2	
35	90109-12M37-00	BOLT	2	
36	90185-12M12-00	NUT, SELF-LOCKING	2	
37	663-44575-00-00	DAMPER, LOWER MOUNT RUBBER	2	
38	6E5-44511-00-5B	COVER, UPPER MOUNT	1	
39	97095-10045-00	BOLT	3	
40	92995-10100-00	WASHER	3	

130TLRZ 2001 / POWER TRIM TILT ASSY 1



©2013 Yamaha Motor Corporation, U.S.A. All rights reserved.







## Part List

130TLRZ 2001 / POWER TRIM TILT ASSY 1

REF - NO	PART NUMBER	PART NAME	QUANTITY	REMARKS
1	64E-43800-01-4D	POWER TRIM & TILT ASSY	1	
2	64E-43825-01-00	HOUSING, TRIM & TILT	1	
3	64E-4388J-00-00	PLUG 2	1	
4	93210-10M74-00	O-RING	1	
5	64E-43817-00-00	FILTER 2	1	
6	64E-43810-00-00	TILT PISTON SUB ASSY	1	
7	64E-43898-00-00	.SEAL, DUST 2	1	
8	64E-43867-00-00	.O-RING	1	
9	64E-43866-00-00	.O-RING	1	
10	6E5-43862-00-00	.O-RING	1	
11	64E-43883-00-00	.O-RING	1	
12	6E5-43872-00-00	.RING, BACK UP	1	
13	6E5-43814-02-00	PISTON, FREE	1	
14	6E5-43862-00-00	O-RING	1	
15	64E-43820-00-00	PISTON SUB ASSEMBLY	2	
16	64E-43821-00-00	.SCREW, TRIM CYLINDER END	1	
17	64E-43822-00-00	.SEAL, TRIM DUST	1	
18	64E-4384J-00-00	.SEAL, TRIM DOWN	1	
19	6G5-43864-00-00	.O-RING	1	
20	6E5-43864-00-00	O-RING	2	
21	6E5-43874-01-00	RING, BACK UP	2	
22	64E-43828-00-00	BODY, RESERVOIR	1	
23	64E-43829-00-00	PLUG, RESERVOIR	1	
24	64E-43897-00-00	O-RING	1	
25	64E-4388E-00-00	BOLT ,SCREW (L:14MM)	3	
26	64E-43869-00-00	O-RING	6	
27	64E-4381G-00-00	PIN	1	
28	6E5-43858-00-00	BALL	1	
29	64E-4382G-00-00	VALVE, SEAT	1	
30	90201-08M14-00	WASHER, PLATE	2	
31	97080-08016-00	BOLT	2	
32	64E-43818-01-00	PIN, LOWER SHOCK MOUNT	1	
33	90386-22M98-00	BUSH	2	

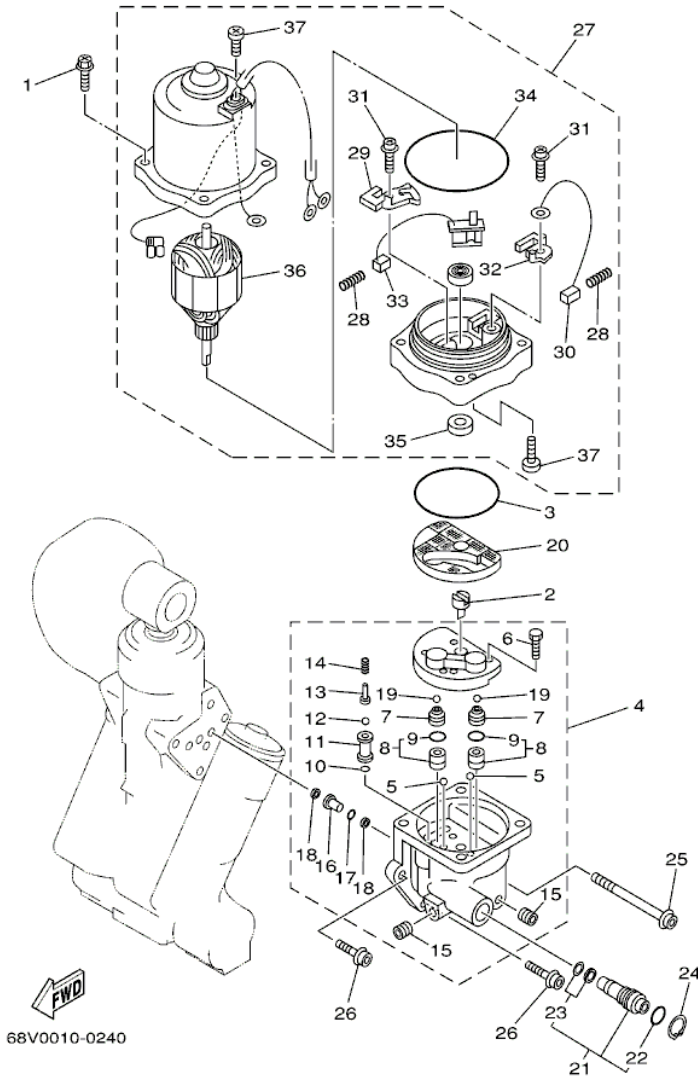
## Part Notes

130TLRZ 2001 / POWER TRIM TILT ASSY 1

PART NUMBER		NOTE TEXT
64E-43822-00-00		OEM: This part number is among the Top 100 Most Popular Marine Maintenance Parts as of August 2013.
64E-4384J-00-00		OEM: This part number is among the Top 100 Most Popular Marine Maintenance Parts as of August 2013.
6G5-43864-00-00		OEM: This part number is among the Top 100 Most Popular Marine Maintenance Parts as of August 2013.
64E-43869-00-00		OEM: This part number is among the Top 100 Most Popular Marine Maintenance Parts as of August 2013.

©2013 Yamaha Motor Corporation, U.S.A. All rights reserved.

130TLRZ 2001 / POWER TRIM TILT ASSY 2



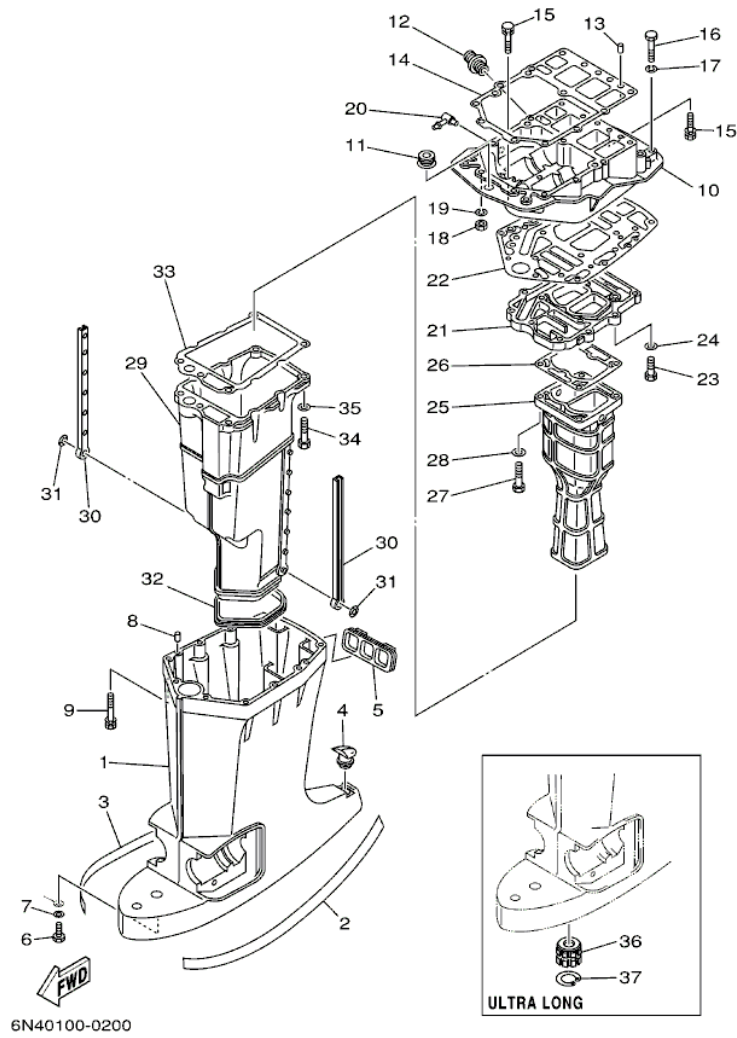
©2013 Yamaha Motor Corporation, U.S.A. All rights reserved.

## Part List

130TLRZ 2001 / POWER TRIM TILT ASSY 2

REF - NO	PART NUMBER	PART NAME	QUANTITY	REMARKS
1	64E-4388E-00-00	BOLT ,SCREW (L:14MM)	4	
2	64E-43831-00-00	CONNECTOR, SHAFT	1	
3	64E-43868-00-00	O-RING	1	
4	64E-43830-00-00	GEAR PUMP ASSY	1	
5	72X-43858-00-00	.BALL	2	
6	64E-43843-00-00	.SCREW, VALVE LOCK	4	
7	64E-43841-00-00	.PISTON, SHUTTLE	2	
8	64E-43802-00-00	.VALVE SUB ASSY	2	
9	6E5-43896-00-00	..O-RING	1	
10	6G5-43863-00-00	.O-RING	1	
11	64E-43851-00-00	.SEAT, RELIEF VALVE	1	
12	64E-43858-00-00	.BALL	1	
13	64E-43859-00-00	.PIN, VALVE SUPPORT	1	
14	64E-43855-00-00	.SPRING, UP RELIEF	1	
15	6E5-43826-01-00	.PLUG, TAPER SCREW	2	
16	64E-43850-00-00	.VALVE SUB ASSY	1	
17	64E-43865-00-00	.O-RING	1	
18	64E-43816-00-00	.FILTER 1	2	
19	64E-43858-00-00	.BALL	2	
20	64E-43817-10-00	FILTER 2	1	
21	64E-43860-00-00	MANUAL VALVE SUB-ASSY	1	
22	72X-85075-L0-00	.O-RING	1	
23	64E-43827-00-00	.RING SET	1	
24	64E-43875-00-00	RING, SNAP	1	
25	64E-43879-10-00	SCREW, WITH WASHER	1	
26	64E-43879-00-00	SCREW, WITH WASHER	2	
27	64E-43880-00-00	MOTOR ASSY	1	
28	6H1-4386K-10-00	.SPRING, BRUSH	2	
29	64E-4380J-00-00	.HOLDER, BRUSH	1	
30	64E-43891-00-00	.BRUSH 1	1	
31	98507-04010-00	.SCREW, PAN HEAD	2	
32	64E-4380F-00-00	.HOLDER, BRUSH 2	1	
33	64E-43892-00-00	.BREAKER COMP (BRUSH 2)	1	
34	6G5-43865-00-00	.O-RING	1	
35	93102-08M43-00	.OIL SEAL	1	
36	64E-43805-00-00	.ARMATURE ASSY	1	
37	64E-43843-10-00	.SCREW, VALVE LOCK	3	

130TLRZ 2001 / UPPER CASING



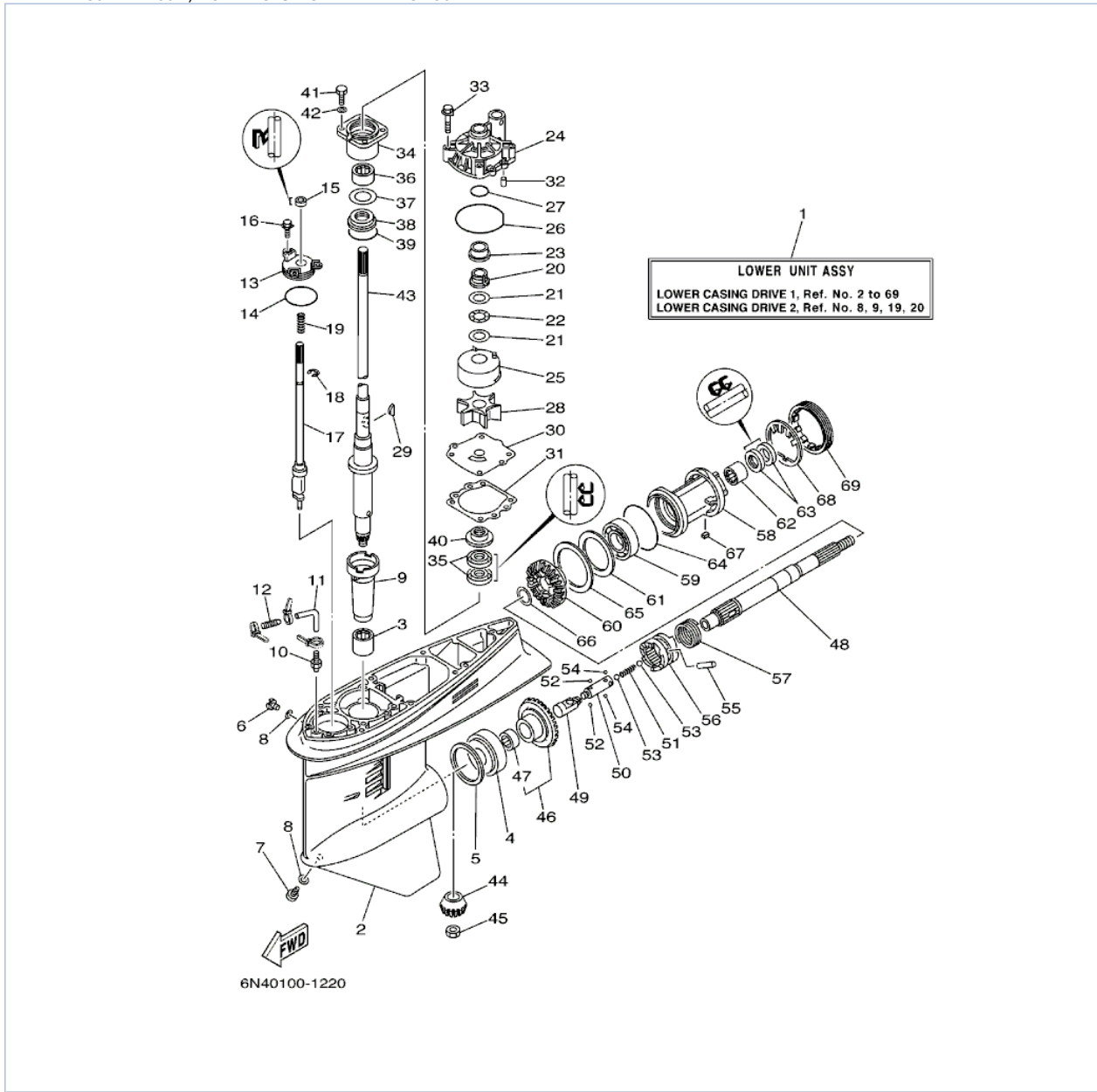
©2013 Yamaha Motor Corporation, U.S.A. All rights reserved.

## Part List

130TLRZ 2001 / UPPER CASING

REF - NO	PART NUMBER	PART NAME	QUANTITY	REMARKS
1	6E5-45111-23-8D	CASING, UPPER	1	UR X
1	6E5-45111-02-8D	CASING, UPPER	1	UR L
2	6R3-42791-41-00	MARK 1	1	
3	6R3-42792-41-00	MARK 2	1	
4	6E5-45155-00-00	CAP	1	
5	6E5-42769-00-00	SEAL, RUBBER	1	
6	97095-06010-00	BOLT	1	
7	92995-06600-00	WASHER	1	
8	93608-12M05-00	PIN, DOWEL	2	
9	90119-08M78-00	BOLT, WITH WASHER	6	
10	6G5-41137-11-94	GUIDE, EXHAUST	1	FLUSHING KIT
11	6E5-42724-00-00	GROMMET	1	
12	6G5-12581-00-00	JOINT, HOSE 1	1	
13	93608-12M05-00	PIN, DOWEL	2	
14	6G5-45113-A1-00	.GASKET, UPPER CASING	1	
15	90119-08M79-00	BOLT, WITH WASHER	6	
16	97095-08045-00	.BOLT	2	
17	92995-08100-00	WASHER	2	
18	95380-08700-00	NUT	2	
19	92995-08100-00	WASHER	2	
20	6H1-11372-00-00	.NIPPLE, HOSE	1	FLUSHING KIT
21	6G5-41131-01-5B	MANIFOLD, EXT. 1	1	
22	6G5-45114-A0-00	GASKET, UPPER CASING	1	
23	97095-08030-00	BOLT	4	
24	92995-08600-00	WASHER	4	
25	6L1-41132-00-5B	MANIFOLD, EXHAUST	1	UR 130,L130
26	6G5-41134-A0-00	.GASKET, EXHAUST MANIFOLD	1	UR 130,L130
27	97095-08045-00	.BOLT	4	
28	92995-08600-00	WASHER	4	
29	6E5-14711-01-5B	MUFFLER 1	1	
30	6E5-14737-00-00	DAMPER, MUFFLER	2	
31	90183-05M02-00	NUT, SPRING	2	
32	6E5-45123-00-00	.GASKET, MUFFLER	1	
33	6E5-41135-A0-00	.GASKET, EXHAUST MANIFOLD	1	
34	97095-08045-00	.BOLT	5	
35	92995-08600-00	WASHER	5	
36	6E5-45318-00-00	BUSHING, DRIVE SHAFT	1	X
37	93420-36M01-00	CIRCLIP	1	X

130TLRZ 2001 / LOWER CASING DRIVE 1 115 130



©2013 Yamaha Motor Corporation, U.S.A. All rights reserved.

## Part List











130TLRZ 2001 / LOWER CASING DRIVE 1 115 130

REF - NO	PART NUMBER	PART NAME	QUANTITY	REMARKS
1	6E5-45300-26-8D	LOWER UNIT ASSY	1	UR X
1	6E5-45300-16-8D	LOWER UNIT ASSY	1	UR L
2	6E5-45301-04-8D	CASING, LOWER	1	
3	93315-628U9-00	BEARING	1	
4	93332-000U7-00	BEARING	1	
5	6E5-45567-01-12	SHIM (T:0.12MM)	1	
5	6E5-45567-01-30	SHIM (T:0.30MM)	1	
5	6E5-45567-01-50	SHIM (T:0.50MM)	1	
5	6E5-45567-01-40	SHIM (T:0.40MM)	1	
5	6E5-45567-01-15	SHIM (T:0.15MM)	1	
5	6E5-45567-01-18	SHIM (T:0.18MM)	1	
5	6E5-45567-01-10	SHIM (T:0.10MM)	1	
6	90340-08M04-00	PLUG, STRAIGHT SCREW	1	
7	688-45341-00-00	PLUG, DRAIN	1	
8	90430-08020-00	.GASKET	2	
9	6E5-45536-00-00	SLEEVE, DRIVE SHAFT	1	
10	6E5-45378-00-00	NIPPLE, HOSE	1	
11	90445-07ME8-00	HOSE (L80)	1	UR L
11	90445-07ME9-00	HOSE (L120)	1	UR X
12	6E5-83558-10-00	END, NIPPLE	1	
13	6E5-45321-00-00	PLATE	1	
14	93210-58144-00	.O-RING	1	
15	93106-09014-00	.OIL SEAL	1	
16	90119-06M10-00	BOLT, WITH WASHER	3	
17	6E5-44150-02-00	SHIFT CAM ASSY	1	
18	93430-08006-00	CIRCLIP	1	
19	90501-11M10-00	SPRING, COMPRESSION	1	
20	61A-45538-00-00	SPACER 1	1	
21	90201-22M01-00	WASHER, PLATE	2	
22	90206-22M19-00	WASHER, WAVE	1	
23	61A-45527-00-00	COLLAR, DRIVE SHAFT	1	
24	61A-44311-01-00	HOUSING, WATER PUMP	1	
25	61A-44322-02-00	.INSERT, CARTRIDGE	1	
26	93210-86M38-00	.O-RING	1	
27	93210-37160-00	.O-RING	1	
28	6E5-44352-01-00	.IMPELLER	1	
29	90280-04M05-00	.KEY, WOODRUFF	1	
30	6E5-44323-00-00	OUTER PLATE, CARTRIDGE	1	
31	6E5-44315-A0-00	.GASKET, WATER PUMP	1	
32	93606-12019-00	.PIN, DOWEL	2	
33	90119-08M14-00	.BOLT, WITH WASHER	4	
34	6E5-45331-00-94	HOUSING, BEARING	1	
35	93101-28M16-00	.OIL SEAL	2	
36	93317-330U2-00	BEARING	1	
37	6E5-45587-01-12	SHIM (T:0.12MM)	1	UR
37	6E5-45587-01-30	SHIM (T:0.30MM)	1	UR
37	6E5-45587-01-50	SHIM (T:0.50MM)	1	UR
37	6E5-45587-01-40	SHIM (T:0.40MM)	1	UR
37	6E5-45587-01-15	SHIM (T:0.15MM)	1	UR
37	6E5-45587-01-18	SHIM (T:0.18MM)	1	UR
37	6E5-45587-01-10	SHIM (T:0.10MM)	1	UR
38	93341-930V2-00	BEARING	1	
39	93210-55M14-00	.O-RING	1	

40	6E5-45344-00-00	COVER, OIL SEAL	1	
41	97095-08025-00	BOLT	4	
42	92995-08600-00	WASHER	4	
43	6E5-45501-21-00	DRIVE SHAFT COMP.	1	UR X
43	6E5-45501-01-00	DRIVE SHAFT COMP.	1	UR L
44	6E5-45551-02-00	PINION (13T)	1	
45	90170-16M01-00	NUT	1	
46	6E5-45560-01-00	GEAR 1 (26T)	1	
47	93315-425U7-00	.BEARING	1	
48	6E5-45611-01-00	SHAFT, PROPELLER	1	
49	6E5-45641-02-00	SHIFTER	1	
50	6E5-45634-01-00	SLIDE, SHIFT	1	
51	90501-16M37-00	SPRING, COMPRESSION	1	
52	93507-32009-00	.BALL	2	
53	93511-32017-00	BALL	2	
54	93503-16003-00	BALL	2	
55	90250-08M07-00	PIN, STRAIGHT	1	
56	6E5-45631-01-00	CLUTCH, DOG	1	
57	6E5-45633-01-00	RING, CROSS PIN	1	
58	6E5-45332-00-94	HOUSING, BEARING	1	
59	93306-208U0-00	BEARING	1	
60	6E5-45571-01-00	GEAR 2 (26T)	1	
61	6E5-45576-00-00	WASHER, THRUST 2	1	
62	93315-430U8-00	BEARING	1	
63	93101-30M17-00	.OIL SEAL	2	
64	93210-86M39-00	.O-RING	1	
65	6L6-45577-00-12	SHIM (T:0.12MM)	1	UR
65	6L6-45577-00-30	SHIM (T:0.30MM)	1	UR
65	6L6-45577-00-50	SHIM (T:0.50MM)	1	UR
65	6L6-45577-00-40	SHIM (T:0.40MM)	1	UR
65	6L6-45577-00-15	SHIM (T:0.15MM)	1	UR
65	6L6-45577-00-18	SHIM (T:0.18MM)	1	UR
65	6L6-45577-00-10	SHIM (T:0.10MM)	1	UR
66	90201-30M92-00	WASHER, PLATE	1	
67	90282-04010-00	KEY, STRAIGHT	1	
68	688-45383-02-00	WASHER, CLAW	1	
69	688-45384-00-00	NUT	1	

## Part Notes

130TLRZ 2001 / LOWER CASING DRIVE 1 115 130

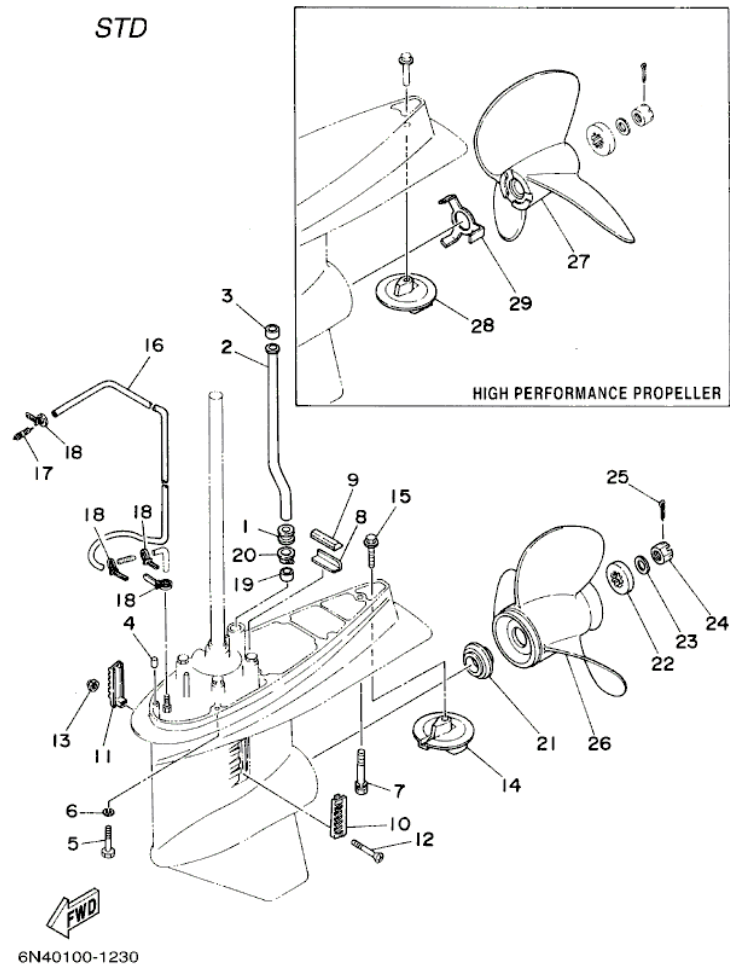
PART NUMBER		NOTE TEXT
90430-08020-00		OEM: This part number is among the Top 100 Most Popular Marine Maintenance Parts as of August 2013.
93106-09014-00		OEM: This part number is among the Top 100 Most Popular Marine Maintenance Parts as of August 2013.
61A-45538-00-00		OEM: This part number is among the Top 100 Most Popular Marine Maintenance Parts as of August 2013.
90201-22M01-00		OEM: This part number is among the Top 100 Most Popular Marine Maintenance Parts as of August 2013.
61A-45527-00-00		OEM: This part number is among the Top 100 Most Popular Marine Maintenance Parts as of August 2013.
61A-44311-01-00		OEM: This part number is among the Top 100 Most Popular Marine Maintenance Parts as of August 2013.
93210-86M38-00		OEM: This part number is among the Top 100 Most Popular Marine Maintenance Parts as of August 2013.
6E5-44352-01-00		OEM: This part number is among the Top 100 Most Popular Marine Maintenance Parts as of August 2013.
93101-28M16-00		OEM: This part number is among the Top 100 Most Popular Marine Maintenance Parts as of August 2013.
93101-30M17-00		OEM: This part number is among the Top 100 Most Popular Marine Maintenance Parts as of August 2013.



©2013 Yamaha Motor Corporation, U.S.A. All rights reserved.

130TLRZ 2001 / LOWER CASING DRIVE 2 115 130

STD



©2013 Yamaha Motor Corporation, U.S.A. All rights reserved.

## Part List

130TLRZ 2001 / LOWER CASING DRIVE 2 115 130

REF - NO	PART NUMBER	PART NAME	QUANTITY	REMARKS
1	6E5-44366-00-00	DAMPER, WATER SEAL 2	1	
2	6E5-44361-20-00	TUBE, WATER 1	1	UR X
2	6E5-44361-00-00	TUBE, WATER 1	1	UR L
3	6E5-44365-00-00	DAMPER, WATER SEAL 1	1	
4	93608-12M05-00	PIN, DOWEL	2	
5	97075-10045-00	BOLT	6	
6	92995-10100-00	WASHER	6	
7	90119-10M89-00	BOLT, WITH WASHER	1	
8	663-45376-00-94	GUIDE, SEAL DAMPER	1	
9	688-45375-00-00	DAMPER, SEAL	1	
10	688-45214-02-00	COVER, WATER INLET 1	1	
11	688-45215-02-00	COVER, WATER INLET 2	1	
12	90152-05M07-00	SCREW, COUNTERSUNK	1	
13	90185-05002-00	NUT, NYLON	1	
14	6E5-45371-01-00	TAB-TRIM	1	
15	90105-10M00-00	BOLT, FLANGE	1	
16	90445-07MF0-00	HOSE (L1030)	1	
17	6E5-83558-00-00	END, NIPPLE	1	
18	90465-11M10-00	CLAMP	4	
19	6E5-44365-00-00	DAMPER, WATER SEAL 1	1	
20	6E5-44312-00-00	COVER, WATER PUMP HOUSING	1	
21	6E5-45987-01-00	SPACER 1	1	
22	688-45997-01-00	SPACER 2	1	
23	92990-18200-00	WASHER	1	
24	90171-18M04-00	NUT, CASTLE	1	
25	91490-40030-00	PIN. COTTER	1	
26	6E5-45941-00-EL	PROPELLER (3X13"X19"-K)	1	UR
26	6E5-45956-00-EL	PROPELLER (3X13"X25"-K)	1	UR
26	6E5-45945-01-EL	PROPELLER (3X13-1/4"X17"- K)	1	UR
26	6E5-45947-00-EL	PROPELLER (3X13-1/2"X15"- K)	1	UR
26	6E5-45949-00-EL	PROPELLER (3X13-5/8"X13"- K)	1	UR
26	688-45970-03-98	PROPELLER (3X13"X19"-K)	1	UR
26	688-45972-02-98	PROPELLER (3X13"X21"-K)	1	UR
26	688-45974-02-98	PROPELLER (3X13"X23"-K)	1	UR
26	688-45978-60-98	PROPELLER (3X13-1/2"X16"- K)	1	UR
26	688-45930-01-98	PROPELLER (3X13"X17"-K)	1	UR
26	688-45932-60-98	PROPELLER (3X13-1/2"X14"- K)	1	UR
26	6E5-45952-00-EL	PROPELLER (3X13"X23"-K)	1	UR
26	6E5-45954-00-EL	PROPELLER (3X14"X11"-K)	1	UR
26	688-45976-01-98	PROPELLER (3X13"X25"-K)	1	UR
26	6E5-45943-00-EL	PROPELLER (3X12-5/8"X21"- K)	1	UR
27	6E5-45972-10-00	PROPELLER (3X14"X24"-P)	1	UR
27	6E5-45978-10-00	PROPELLER (3X14"X26"-P)	1	UR
27	6E5-45976-10-00	PROPELLER (3X14"X22"-P)	1	UR
27	6E5-45970-10-00	PROPELLER (3X14"X20"-P)	1	UR
27	6E5-45974-10-00	PROPELLER (3X14"X28"-P)	1	UR
28	6E5-45371-10-00	TAB-TRIM	1	
29	6E5-45994-10-00	PLATE, TOOTH	1	

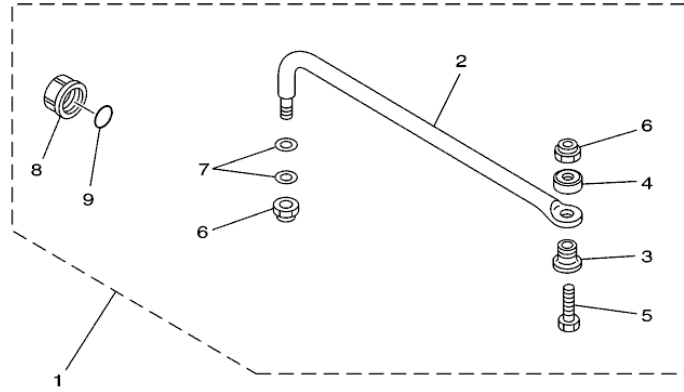
## Part Notes

130TLRZ 2001 / LOWER CASING DRIVE 2 115 130

PART NUMBER		NOTE TEXT
6E5-45371-01-00		OEM: This part number is among the Top 100 Most Popular Marine Maintenance Parts as of August 2013.
90105-10M00-00		OEM: This part number is among the Top 100 Most Popular Marine Maintenance Parts as of August 2013.
91490-40030-00		OEM: This part number is among the Top 100 Most Popular Marine Maintenance Parts as of August 2013.

©2013 Yamaha Motor Corporation, U.S.A. All rights reserved.

130TLRZ 2001 / STEERING GUIDE ATTACHMENT



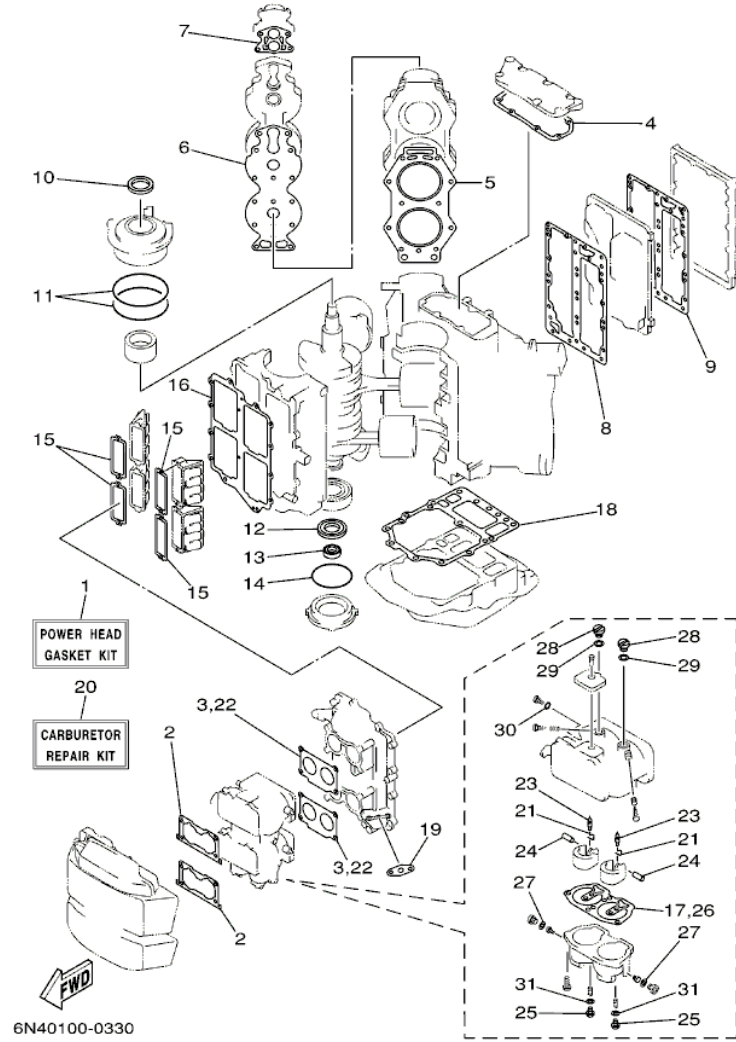
67H0100-9290

## Part List

130TLRZ 2001 / STEERING GUIDE ATTACHMENT

REF - NO	PART NUMBER	PART NAME	QUANTITY	REMARKS
1	6E5-61350-02-00	STEERING GUIDE ATTACHMENT KIT	1	AP 115,130
2	6E5-61351-01-00	.ROD, STEERING LINK	1	
3	90387-10M61-00	.COLLAR	1	
4	90560-12M01-00	.SPACER	1	
5	6E5-61355-00-00	.BOLT	1	
6	90185-09M01-00	.NUT, SELF-LOCKING	2	
7	90201-10M20-00	.WASHER, PLATE	2	
8	6E5-43145-00-00	.CAP, CLAMP BRACKET	1	
9	93210-16275-00	.O-RING	1	

130TLRZ 2001 / REPAIR KIT 1



©2013 Yamaha Motor Corporation, U.S.A. All rights reserved.



## Part List

130TLRZ 2001 / REPAIR KIT 1

REF - NO	PART NUMBER	PART NAME	QUANTITY	REMARKS
1	6N6-W0001-A4-00	POWER HEAD GASKET KID	1	
2	6K7-14483-00-00	.GASKET	2	
3	6E5-14198-A2-00	.GASKET	2	
4	6E5-11381-A2-00	.GASKET 1	1	
5	6E5-11181-A1-00	.GASKET, CYLINDER HEAD 1	2	
6	6E5-11193-A0-00	.GASKET, HEAD COVER 1	2	
7	688-12414-A1-00	.GASKET, COVER	2	
8	6E5-41112-A1-00	.GASKET, EXHAUST INNER COVER	1	
9	6E5-41112-A1-00	.GASKET, EXHAUST INNER COVER	1	
10	93102-40M14-00	.OIL SEAL	1	
11	93211-04M36-00	.O-RING	2	
12	93102-35M13-00	.OIL SEAL	1	
13	93101-22M15-00	.OIL SEAL	1	
14	93210-74M35-00	.O-RING	1	
15	6E5-13621-A1-00	.GASKET, VALVE SEAT	4	
16	6E5-13645-A1-00	.GASKET, MANIFOLD 1	1	
17	64D-14384-00-00	.GASKET, FLOAT CHAMBER	2	
18	6G5-45113-A1-00	.GASKET, UPPER CASING	1	
19	650-24431-A0-00	.GASKET, FUEL PUMP 1	1	
20	6N6-W0093-08-00	CARBURETOR REPAIR KIT	1	
21	6E5-14159-00-00	.CLIP	2	
22	6E5-14198-A2-00	.GASKET	1	
23	6E5-14546-00-00	.VALVE, NEEDLE	2	
24	6E5-14386-02-00	.PIN, FLOAT	2	
25	64D-14394-00-00	.VALVE, DRAIN	2	
26	64D-14384-00-00	.GASKET, FLOAT CHAMBER	1	
27	6E5-14398-00-00	.GASKET	2	
28	6E5-14328-01-00	.PLUG	2	
29	6E5-14979-00-00	.GASKET	2	
30	6J8-14959-00-00	.GASKET	1	
31	61U-14959-00-00	.GASKET	2	

## Part Notes

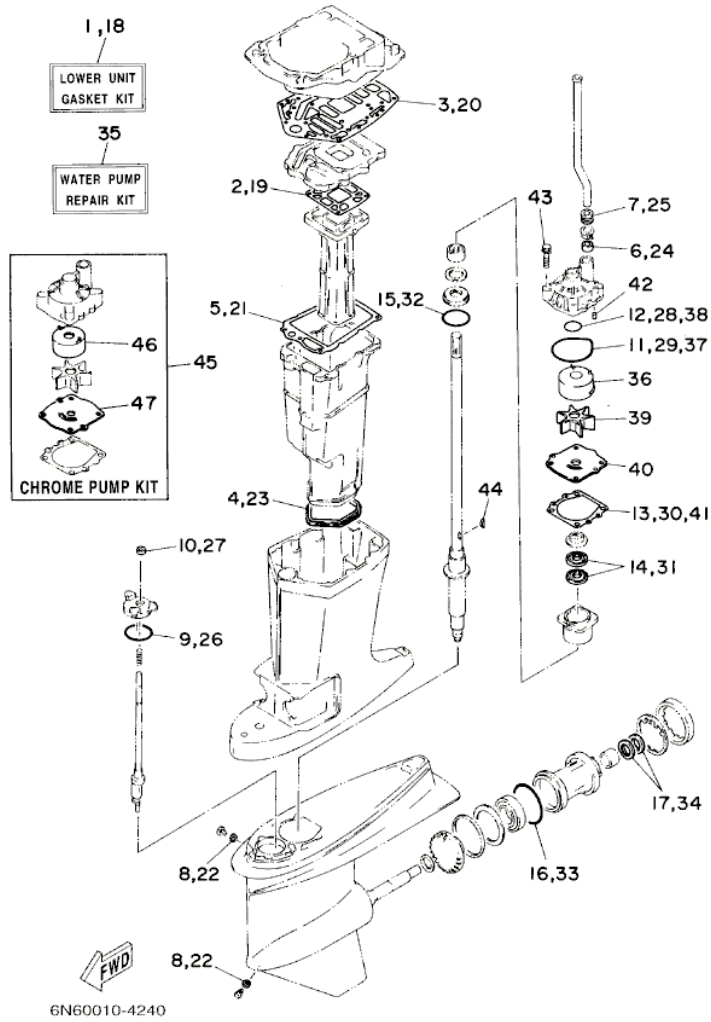
130TLRZ 2001 / REPAIR KIT 1

PART NUMBER		NOTE TEXT
688-12414-A1-00		OEM: This part number is among the Top 100 Most Popular Marine Maintenance Parts as of August 2013.
650-24431-A0-00		OEM: This part number is among the Top 100 Most Popular Marine Maintenance Parts as of August 2013.

©2013 Yamaha Motor Corporation, U.S.A. All rights reserved.



130TLRZ 2001 / REPAIR KIT 2



©2013 Yamaha Motor Corporation, U.S.A. All rights reserved.

## Part List


130TLRZ 2001 / REPAIR KIT 2

REF - NO	PART NUMBER	PART NAME	QUANTITY	REMARKS
2	6E5-41134-A0-00	.GASKET, EXHAUST MANIFOLD	1	
3	6G5-45114-A0-00	.GASKET, UPPER CASING	1	
4	6E5-45123-00-00	.GASKET, MUFFLER	1	
5	6E5-41135-A0-00	.GASKET, EXHAUST MANIFOLD	1	
6	6E5-44365-00-00	.DAMPER, WATER SEAL 1	1	
7	6E5-44366-00-00	.DAMPER, WATER SEAL 2	1	
8	90430-08020-00	.GASKET	2	
9	93210-58144-00	.O-RING	1	
10	93106-09014-00	.OIL SEAL	1	
11	93210-86M38-00	.O-RING	1	
12	93210-37160-00	.O-RING	1	
13	6E5-44315-A0-00	.GASKET, WATER PUMP	1	
14	93101-28M16-00	.OIL SEAL	2	
15	93210-55M14-00	.O-RING	1	
16	93210-86M39-00	.O-RING	1	
17	93101-30M17-00	.OIL SEAL	2	
18	6F3-W0001-C1-00	LOWER UNIT GASKET KIT	1	130,L130
19	6G5-41134-A0-00	.GASKET, EXHAUST MANIFOLD	1	
20	6G5-45114-A0-00	.GASKET, UPPER CASING	1	
21	6E5-41135-A0-00	.GASKET, EXHAUST MANIFOLD	1	
22	90430-08020-00	.GASKET	2	
23	6E5-45123-00-00	.GASKET, MUFFLER	1	
24	6E5-44365-00-00	.DAMPER, WATER SEAL 1	1	
25	6E5-44366-00-00	.DAMPER, WATER SEAL 2	1	
26	93210-58144-00	.O-RING	1	
27	93106-09014-00	.OIL SEAL	1	
28	93210-37160-00	.O-RING	1	
29	93210-86M38-00	.O-RING	1	
30	6E5-44315-A0-00	.GASKET, WATER PUMP	1	
31	93101-28M16-00	.OIL SEAL	2	
32	93210-55M14-00	.O-RING	1	
33	93210-86M39-00	.O-RING	1	
34	93101-30M17-00	.OIL SEAL	2	
35	6N6-W0078-01-00	WATER PUMP REPAIR KIT	1	
36	61A-44322-02-00	.INSERT, CARTRIDGE	1	
37	93210-86M38-00	.O-RING	1	
38	93210-37160-00	.O-RING	1	
39	6E5-44352-01-00	.IMPELLER	1	
40	6E5-44323-00-00	.OUTER PLATE, CARTRIDGE	1	
41	6E5-44315-A0-00	.GASKET, WATER PUMP	1	
42	93606-12019-00	.PIN, DOWEL	2	
43	90119-08M14-00	.BOLT, WITH WASHER	4	
44	90280-04M05-00	.KEY, WOODRUFF	1	
45	6E5-W0078-1A-00	CHROME PUMP KIT	1	
46	6R3-44322-40-00	.INSERT, CARTRIDGE	1	
47	6E5-44323-40-00	.OUTER PLATE, CARTRIDGE	1	

## Part Notes

130TLRZ 2001 / REPAIR KIT 2

PART NUMBER	NOTE TEXT

90430-08020-00		OEM: This part number is among the Top 100 Most Popular Marine Maintenance Parts as of August 2013.
93106-09014-00		OEM: This part number is among the Top 100 Most Popular Marine Maintenance Parts as of August 2013.
93210-86M38-00		OEM: This part number is among the Top 100 Most Popular Marine Maintenance Parts as of August 2013.
93101-28M16-00		OEM: This part number is among the Top 100 Most Popular Marine Maintenance Parts as of August 2013.
93101-30M17-00		OEM: This part number is among the Top 100 Most Popular Marine Maintenance Parts as of August 2013.
90430-08020-00		OEM: This part number is among the Top 100 Most Popular Marine Maintenance Parts as of August 2013.
93106-09014-00		OEM: This part number is among the Top 100 Most Popular Marine Maintenance Parts as of August 2013.
93210-86M38-00		OEM: This part number is among the Top 100 Most Popular Marine Maintenance Parts as of August 2013.
93101-28M16-00		OEM: This part number is among the Top 100 Most Popular Marine Maintenance Parts as of August 2013.
93101-30M17-00		OEM: This part number is among the Top 100 Most Popular Marine Maintenance Parts as of August 2013.
93210-86M38-00		OEM: This part number is among the Top 100 Most Popular Marine Maintenance Parts as of August 2013.
6E5-44352-01-00		OEM: This part number is among the Top 100 Most Popular Marine Maintenance Parts as of August 2013.

©2013 Yamaha Motor Corporation, U.S.A. All rights reserved.

©2013 Yamaha Motor Corporation, U.S.A. All rights reserved.