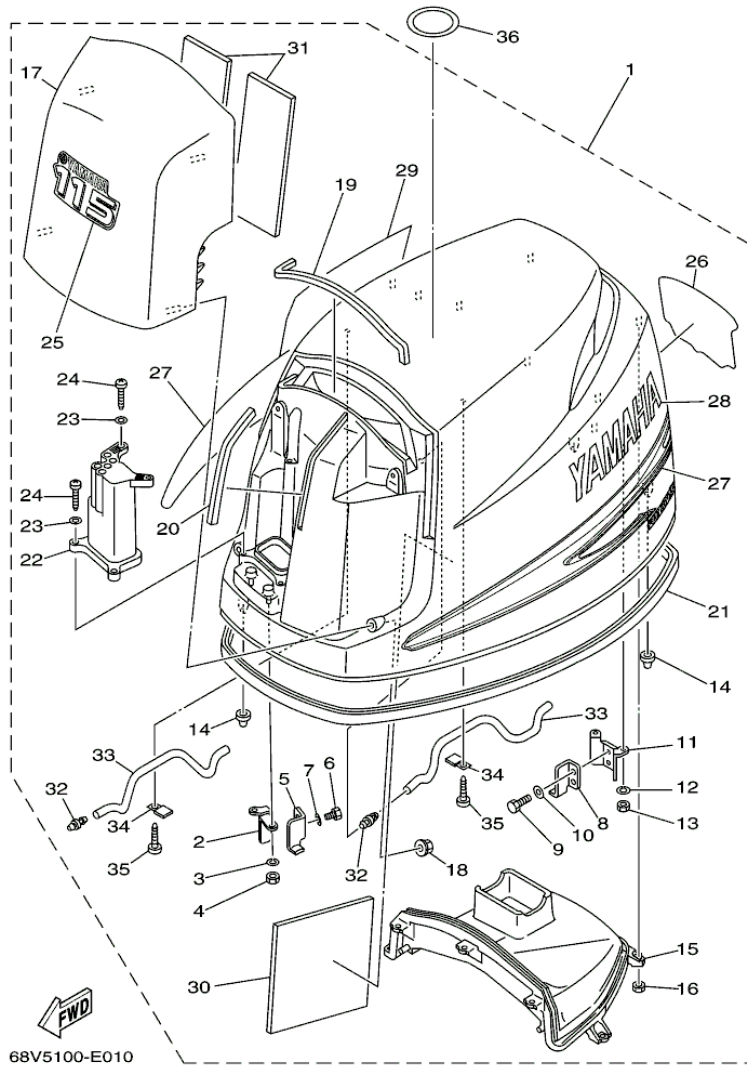


F115TXR 0405 / TOP COWLING



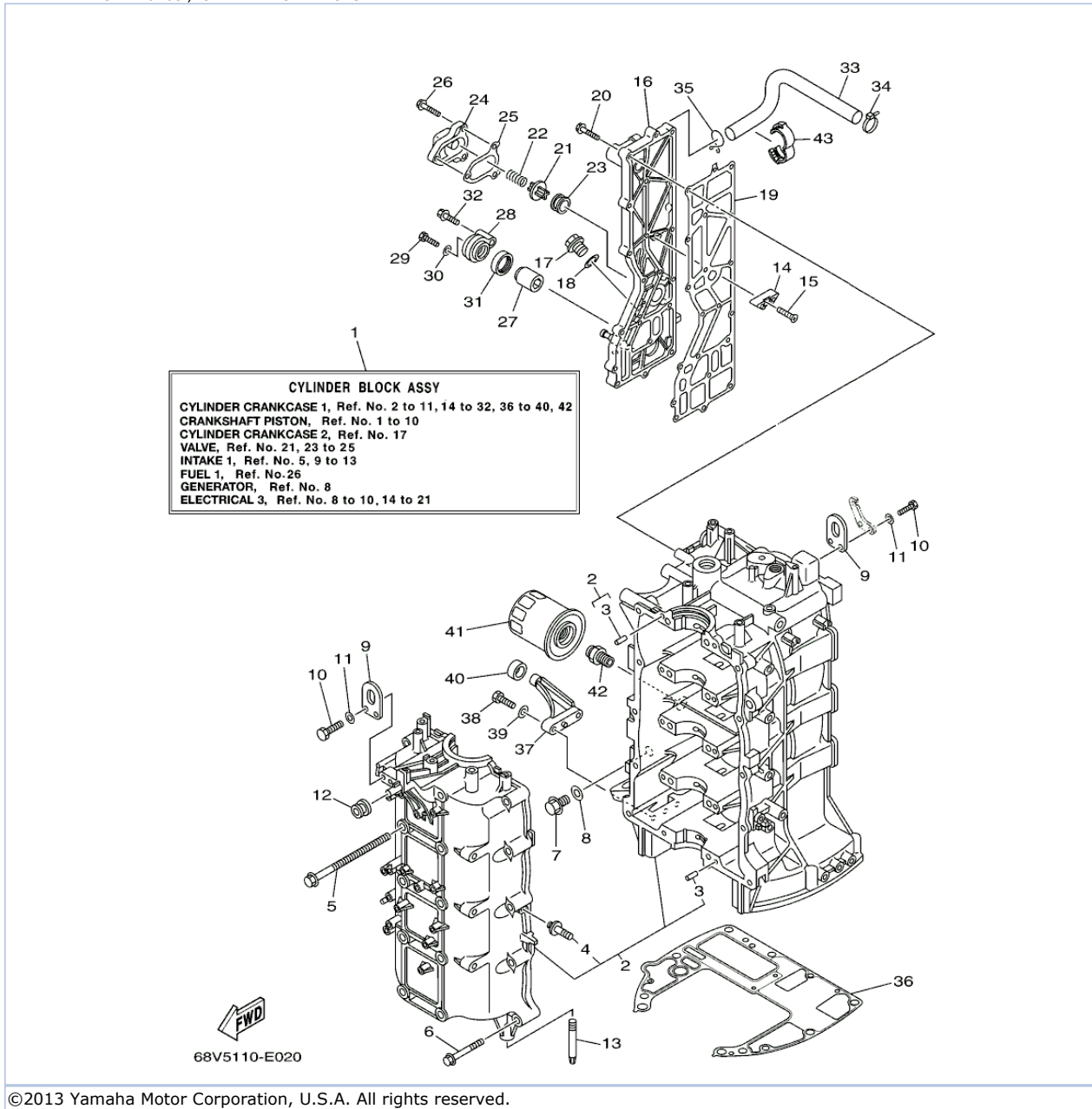
©2013 Yamaha Motor Corporation, U.S.A. All rights reserved.

## Part List

F115TXR 0405 / TOP COWLING

REF - NO	PART NUMBER	PART NAME	QUANTITY	REMARKS
1	68V-42610-B2-8D	TOP COWLING ASSY	1	UR F115TJR
1	68V-42610-12-8D	TOP COWLING ASSY	1	UR
2	68V-42647-00-00	.HOLDER, CLAMP BAND	1	
3	92990-06100-00	.WASHER, SPRING	2	
4	95380-06600-00	.NUT, HEXAGON	2	
5	68V-42651-00-00	.HOOK	1	
6	97095-06012-00	.BOLT	2	
7	92995-06600-00	.WASHER	2	
8	68V-42652-00-00	.HOOK	1	
9	97095-06012-00	.BOLT	2	
10	92995-06600-00	.WASHER	2	
11	67F-42649-00-00	.HOLDER, CLAMP BAND	1	
12	92990-06100-00	.WASHER, SPRING	2	
13	95380-06600-00	.NUT, HEXAGON	2	
14	67F-42662-00-00	.DAMPER	3	
15	68V-42613-00-00	.MOLDING, AIR DUCT	1	
16	95380-06600-00	.NUT, HEXAGON	7	
17	68V-42612-00-8D	.AIR DUCT, TOP COWLING	1	
18	90179-06M28-00	.NUT	4	
19	68V-42628-00-00	.SEAL	1	
20	68V-42718-00-00	.RUBBER, SEAL 3	1	
21	68V-42615-00-00	.SEAL	1	
22	68V-42632-00-00	.WINDOW	1	
23	92990-05200-00	.WASHER, PLAIN	4	
24	97780-50625-00	.SCREW, TAPPING	4	
25	68V-42677-A0-00	.GRAPHIC, FRONT	1	UR F115TJR
25	68V-42677-10-00	.GRAPHIC, FRONT	1	UR
26	68V-42678-B0-00	.GRAPHIC, REAR	1	UR F115TJR
26	68V-42678-10-00	.GRAPHIC, REAR	1	UR
27	68V-W0070-10-00	.GRAPHIC SET	1	
28	68V-42681-10-00	.MARK, COWLING	1	
29	68V-42682-10-00	.MARK, COWLING	1	
30	68V-42617-00-00	.DAMPER, FORM	1	
31	68V-42619-00-00	.DAMPER, FORM	2	
32	6H3-44391-01-00	.NIPPLE, HOSE	2	
33	90445-10M18-00	.HOSE (L295)	2	
34	90462-08018-00	.CLAMP	2	
35	97780-50620-00	.SCREW, TAPPING	2	
36	67F-13434-03-00	LABEL, CAUTION	1	

F115TXR 0405 / CYLINDER CRANKCASE 1





## Part List



F115TXR 0405 / CYLINDER CRANKCASE 1

REF - NO	PART NUMBER	PART NAME	QUANTITY	REMARKS
1	68V-W009B-06-1S	CYLINDER BLOCK ASSY	1	
2	68V-15100-02-1S	CRANKCASE ASSY	1	
3	93606-12019-00	.PIN, DOWEL	10	
4	68V-44581-01-00	.BOLT	1	
5	90119-10M88-00	BOLT, WITH WASHER	10	
6	90119-08M66-00	BOLT, WITH WASHER	10	
7	90340-14M06-00	PLUG, STRAIGHT SCREW	1	
8	90430-14115-00	.GASKET	1	
9	62Y-11119-00-00	HANGER, ENGINE	2	
10	97095-06020-00	BOLT	4	
11	92995-06600-00	WASHER	4	
12	90480-12072-00	GROMMET	1	
13	67F-15142-00-00	GUIDE 1	2	
14	6E5-11325-00-00	ANODE	3	
15	98780-04016-00	SCREW, FLAT HEAD	3	
16	6D8-41113-00-1S	OUTER COVER, EXHAUST	1	
17	90340-18M09-00	PLUG, STRAIGHT SCREW	1	
18	90430-18130-00	.GASKET	1	
19	6D8-41114-A0-00	.GASKET, EXHAUST OUTER COVER	1	
20	90119-06MA4-00	BOLT, WITH WASHER	18	
21	6G5-12416-00-00	VALVE, PRESSURE CONTROL	1	
22	90501-16M11-00	SPRING, COMPRESSION	1	
23	90480-20M05-00	GROMMET	1	
24	67F-1246A-01-1S	COVER 1	1	
25	67F-12435-A0-00	.GASKET	1	
26	90119-06MA2-00	BOLT, WITH WASHER	3	
27	68V-11325-01-00	ANODE	1	
28	69J-11327-00-94	COVER, ANODE	1	
29	97075-06020-00	BOLT	1	
30	92995-06600-00	WASHER	1	
31	67F-11328-00-00	.GROMMET, ANODE	1	
32	97575-08540-00	BOLT, WITH WASHER	1	
33	67F-1243A-00-00	HOSE 1	1	
34	90465-11M10-00	CLAMP	1	
35	90467-20M15-00	CLIP	1	
36	68V-11351-00-00	.GASKET, CYLINDER	1	
37	67F-42761-00-94	STOPPER	2	
38	97095-06025-00	BOLT	4	
39	92995-06600-00	WASHER	4	
40	68F-44533-00-00	DAMPER, UPPER MOUNT RUBBER	2	
41	5GH-13440-00-00	ELEMENT ASSY, OIL CLEANER	1	
42	90401-20145-00	BOLT, UNION	1	
43	90464-16001-00	CLAMP	1	

## Part Notes

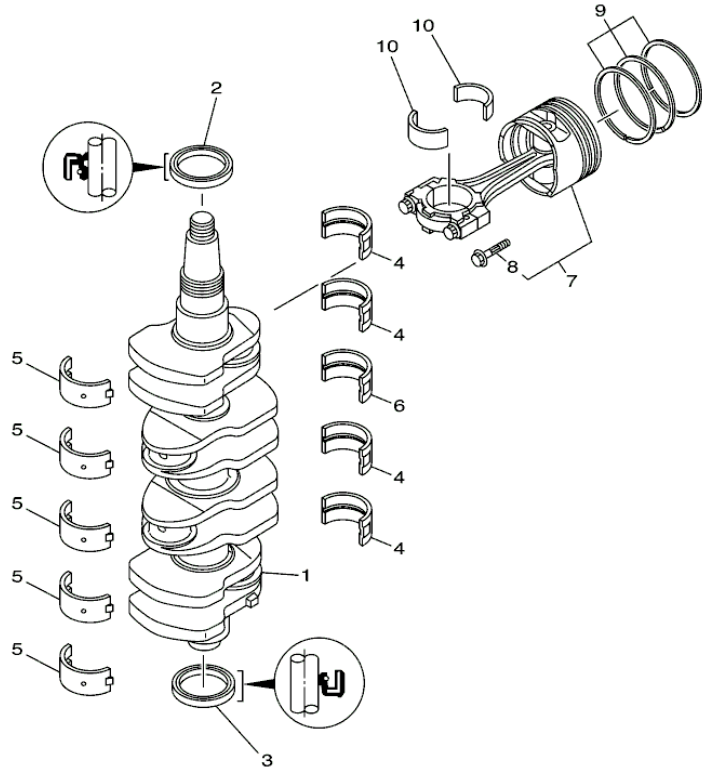
F115TXR 0405 / CYLINDER CRANKCASE 1

PART NUMBER		NOTE TEXT
90480-12072-00		OEM: GROMMET used on F115TLR and F/LF115TXR 0410 Production and Earlier
90480-20M05-00		OEM: This part number is among the Top 100 Most Popular Marine Maintenance Parts as of August 2013.

68V-11325-01-00		OEM: This part number is among the Top 100 Most Popular Marine Maintenance Parts as of August 2013.
67F-11328-00-00		OEM: This part number is among the Top 100 Most Popular Marine Maintenance Parts as of August 2013.

©2013 Yamaha Motor Corporation, U.S.A. All rights reserved.

F115TXR 0405 / CRANKSHAFT PISTON



  
68V0010-0031

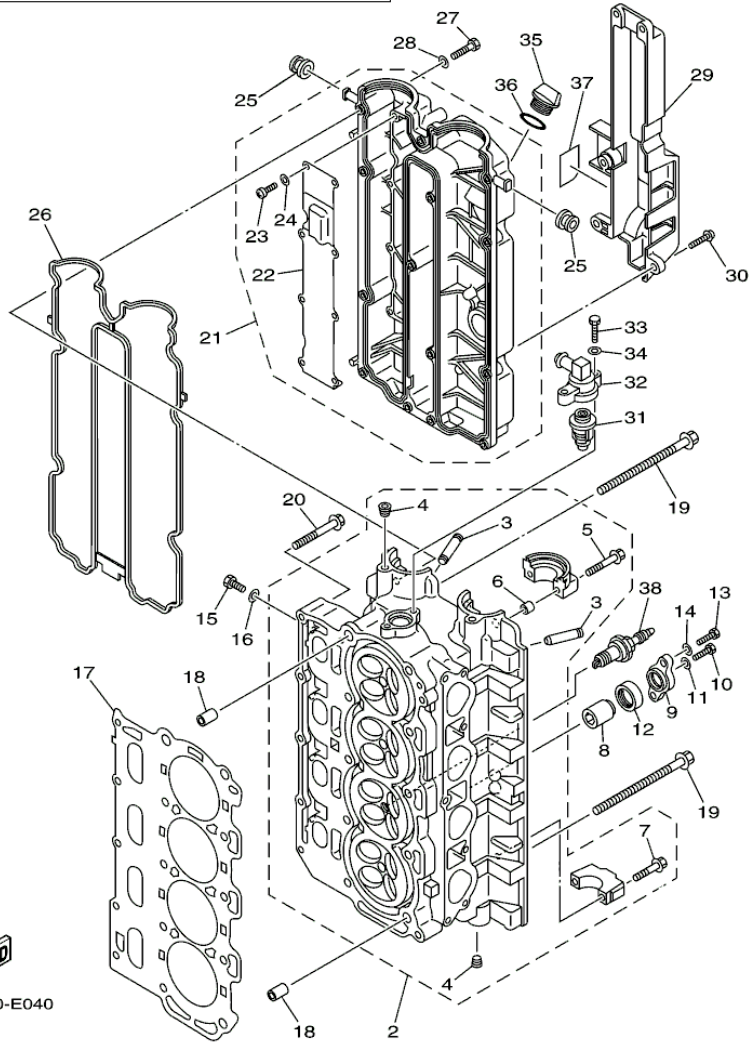
## Part List

F115TXR 0405 / CRANKSHAFT PISTON

REF - NO	PART NUMBER	PART NAME	QUANTITY	REMARKS
1	68V-11411-00-00	CRANKSHAFT	1	
2	93102-48009-00	.OIL SEAL	1	
3	93101-48002-00	.OIL SEAL	1	
4	67F-11416-00-00	PLANE BEARING, CRANKSHAFT 1	4	UR GREEN
4	67F-11416-20-00	PLANE BEARING, CRANKSHAFT 1	4	UR RED
4	67F-11416-10-00	PLANE BEARING, CRANKSHAFT 1	4	UR BLUE
5	67F-11417-00-00	PLANE BEARING, CRANKSHAFT 2	5	UR YELLOW
5	67F-11417-30-00	PLANE BEARING, CRANKSHAFT 2	5	UR RED
5	67F-11417-20-00	PLANE BEARING, CRANKSHAFT 2	5	UR BLUE
5	67F-11417-10-00	PLANE BEARING, CRANKSHAFT 2	5	UR GREEN
6	67F-11418-00-00	PLANE BEARING, CRANKSHAFT 3	1	UR GREEN
6	67F-11418-20-00	PLANE BEARING, CRANKSHAFT 3	1	UR RED
6	67F-11418-10-00	PLANE BEARING, CRANKSHAFT 3	1	UR BLUE
7	68V-W1164-11-00	PISTON/CON-ROD ASSY (0.25MM OS)	4	AP
7	68V-W1164-01-00	PISTON/CON-ROD ASSY (STD)	4	
8	K1C-A3275-00-00	.BOLT, CONNECTING ROD	2	
9	6D8-11604-01-00	PISTON RING SET (0.25MM O/S)	4	AP
9	6D8-11603-01-00	PISTON RING SET (STD)	4	
10	68V-11656-00-00	PLANE BEARING, CONNECTING ROD	8	UR YELLOW
10	68V-11656-30-00	PLANE BEARING, CONNECTING ROD	8	UR RED
10	68V-11656-20-00	PLANE BEARING, CONNECTING ROD	8	UR BLUE
10	68V-11656-10-00	PLANE BEARING, CONNECTING ROD	8	UR GREEN

F115TXR 0405 / CYLINDER CRANKCASE 2

**CYLINDER HEAD ASSY**  
 CYLINDER CRANKCASE 2, Ref. No. 2 to 17, 21 to 28, 31 to 36, 38  
 CYLINDER CRANKCASE 1, Ref. No. 36  
 VALVE, Ref. No. 1 to 13, 16  
 INTAKE 1, Ref. No. 5  
 FUEL 1, Ref. No. 26, 28 to 34



©2013 Yamaha Motor Corporation, U.S.A. All rights reserved.







## Part List

F115TXR 0405 / CYLINDER CRANKCASE 2

REF - NO	PART NUMBER	PART NAME	QUANTITY	REMARKS
1	68V-W009A-04-1S	CYLINDER HEAD COMPLETE	1	
2	68V-11110-03-94	CYLINDER HEAD ASSY	1	
3	67F-11133-10-00	.GUIDE, VALVE 1	16	
4	90344-51019-00	.PLUG, TAPER SCREW	4	
5	90119-07235-00	.BOLT/WASHER-CAM CAPS	4	
6	91809-08006-00	.PIN, DOWEL	4	
7	90119-07234-00	.BOLT, WITH WASHER	16	
8	68V-11325-01-00	ANODE	2	
9	67F-11327-00-94	COVER, ANODE	2	
10	97075-06020-00	BOLT	2	
11	92995-06600-00	WASHER	2	
12	67F-11328-00-00	.GROMMET, ANODE	2	
13	97075-08025-00	BOLT	4	
14	92995-08600-00	WASHER	4	
15	97095-08014-00	BOLT	4	
16	90430-08143-00	GASKET	4	
17	67F-11181-02-00	.GASKET, CYLINDER HEAD 1	1	
18	90387-10M08-00	COLLAR	2	
19	90105-10M89-00	BOLT, FLANGE	10	
20	90119-08M91-00	BOLT, WITH WASHER	5	
21	68V-11191-00-1S	COVER, CYLINDER HEAD 1	1	
22	67F-11168-00-00	.COVER, BREATHER	1	
23	98507-04008-00	.SCREW, PAN HEAD	8	
24	92907-04600-00	.WASHER	8	
25	90480-12072-00	GROMMET	2	
26	6D8-11356-01-00	.SEAL, CYLINDER 2	1	
27	97095-06030-00	BOLT	14	
28	92995-06600-00	WASHER	14	
29	67F-11192-01-00	COVER, CYLINDER HEAD 2	1	
30	90159-06M29-00	SCREW, WITH WASHER	5	
31	60V-12411-00-00	THERMOSTAT	1	
32	68V-12413-00-1S	COVER, THERMOSTAT	1	
33	97095-06025-00	BOLT	2	
34	92995-06600-00	WASHER	2	
35	6G8-15363-00-00	PLUG, OIL	1	
36	93210-24M79-00	.O-RING	1	
37	68V-83626-00-00	MARK 6	1	
38	NGK-LFR6A-11-00	PLUG, SPARK (NGK LFR6A-11)	4	

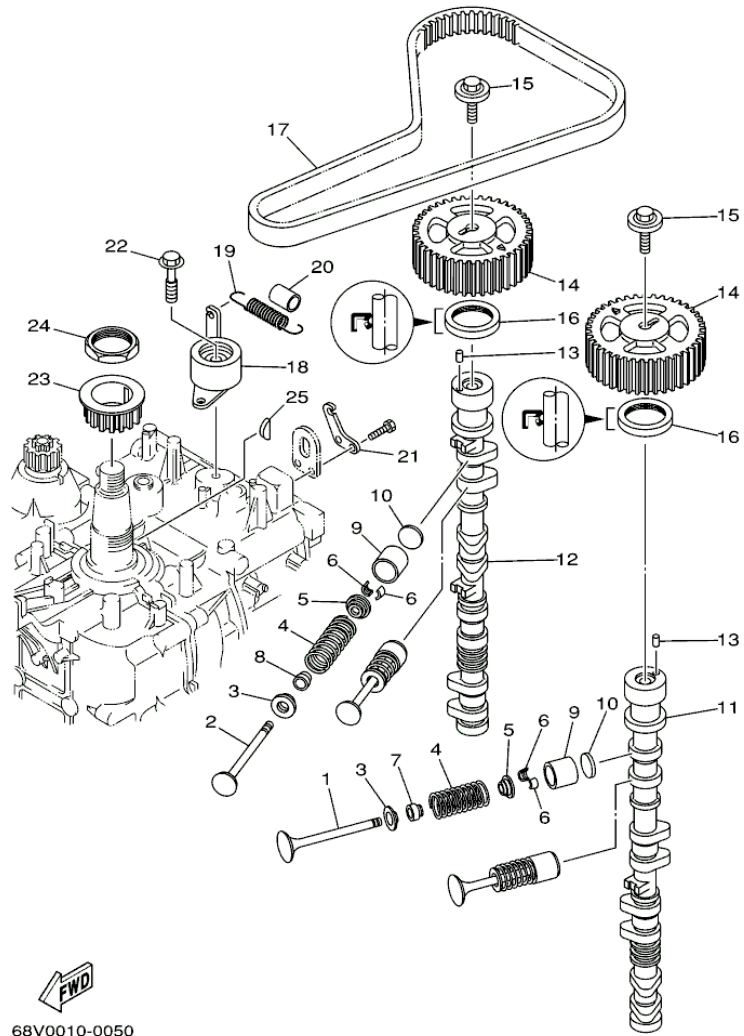
## Part Notes

F115TXR 0405 / CYLINDER CRANKCASE 2

PART NUMBER		NOTE TEXT
68V-11325-01-00		OEM: This part number is among the Top 100 Most Popular Marine Maintenance Parts as of August 2013.
67F-11328-00-00		OEM: This part number is among the Top 100 Most Popular Marine Maintenance Parts as of August 2013.
90480-12072-00		OEM: GROMMET used on F115TLR and F/LF115TXR 0410 Production and Earlier
60V-12411-00-00		OEM: This part number is among the Top 100 Most Popular Marine Maintenance Parts as of August 2013.

©2013 Yamaha Motor Corporation, U.S.A. All rights reserved.

F115TXR 0405 / VALVE



68V0010-0050

©2013 Yamaha Motor Corporation, U.S.A. All rights reserved.

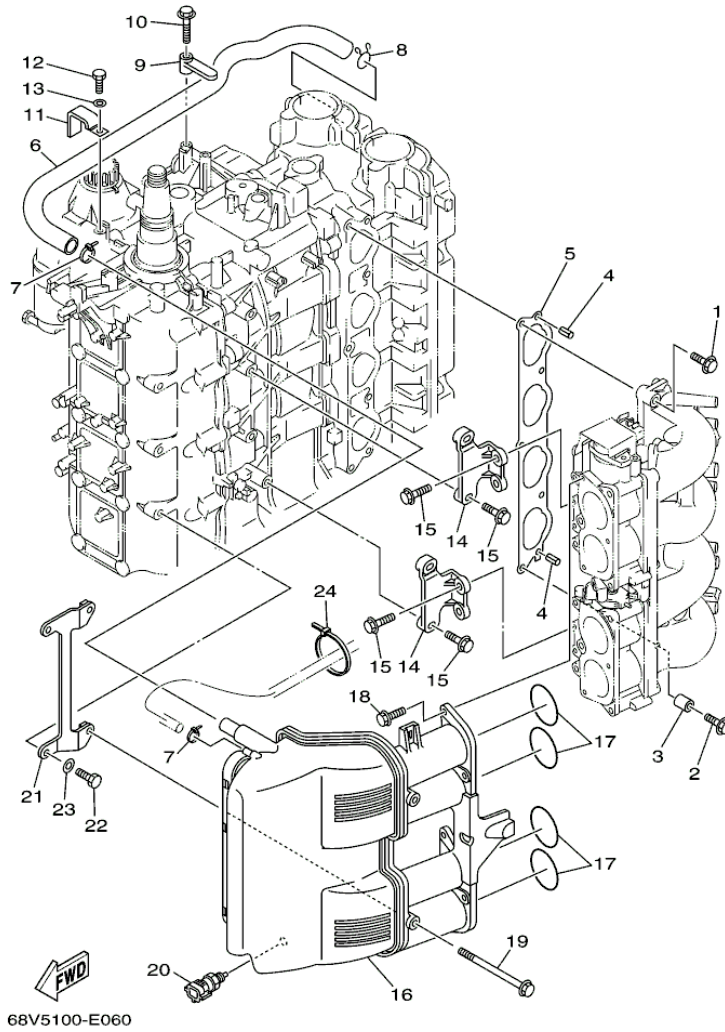
## Part List

F115TXR 0405 / VALVE

REF - NO	PART NUMBER	PART NAME	QUANTITY	REMARKS
1	68V-12111-00-00	VALVE, INTAKE	8	
2	68V-12121-00-00	VALVE, EXHAUST	8	
3	67F-12116-00-00	SEAT, VALVE SPRING	16	
4	67F-12114-00-00	SPRING, VALVE OUTER	16	
5	67F-12117-00-00	RETAINER, VALVE SPRING	16	
6	67F-12118-00-00	COTTER, VALVE	32	
7	K0A-A3721-00-00	SEAL, VALVE STEM	8	
8	K0A-A3722-00-00	SEAL, VALVE STEM 2	8	
9	67F-12153-00-00	LIFTER, VALVE	16	
10	67F-12168-00-00	PAD, ADJUSTING (2.000)	16	UR
10	67F-12169-N0-00	PAD, ADJUSTING (3.300)	16	UR
10	67F-12168-20-00	PAD, ADJUSTING (2.050)	16	UR
10	67F-12168-30-00	PAD, ADJUSTING (2.075)	16	UR
10	67F-12168-40-00	PAD, ADJUSTING (2.100)	16	UR
10	67F-12168-50-00	PAD, ADJUSTING (2.125)	16	UR
10	67F-12168-60-00	PAD, ADJUSTING (2.150)	16	UR
10	67F-12168-70-00	PAD, ADJUSTING (2.175)	16	UR
10	67F-12168-80-00	PAD, ADJUSTING (2.200)	16	UR
10	67F-12168-A0-00	PAD, ADJUSTING (2.225)	16	UR
10	67F-12168-B0-00	PAD, ADJUSTING (2.250)	16	UR
10	67F-12168-C0-00	PAD, ADJUSTING (2.275)	16	UR
10	67F-12168-D0-00	PAD, ADJUSTING (2.300)	16	UR
10	67F-12168-E0-00	PAD, ADJUSTING (2.325)	16	UR
10	67F-12168-F0-00	PAD, ADJUSTING (2.350)	16	UR
10	67F-12168-G0-00	PAD, ADJUSTING (2.375)	16	UR
10	67F-12168-H0-00	PAD, ADJUSTING (2.400)	16	UR
10	67F-12168-J0-00	PAD, ADJUSTING (2.425)	16	UR
10	67F-12168-K0-00	PAD, ADJUSTING (2.450)	16	UR
10	67F-12168-L0-00	PAD, ADJUSTING (2.475)	16	UR
10	67F-12168-M0-00	PAD, ADJUSTING (2.500)	16	UR
10	67F-12168-N0-00	PAD,ADJUSTING (2.525)	16	UR
10	67F-12168-P0-00	PAD, ADJUSTING (2.550)	16	UR
10	67F-12168-R0-00	PAD, ADJUSTING (2.575)	16	UR
10	67F-12168-S0-00	PAD, ADJUSTING (2.600)	16	UR
10	67F-12168-T0-00	PAD, ADJUSTING (2.625)	16	UR
10	67F-12168-U0-00	PAD, ADJUSTING (2.650)	16	UR
10	67F-12168-V0-00	PAD, ADJUSTING (2.675)	16	UR
10	67F-12168-W0-00	PAD, ADJUSTING (2.700)	16	UR
10	67F-12168-X0-00	PAD, ADJUSTING (2.725)	16	UR
10	67F-12168-Y0-00	PAD, ADJUSTING (2.750)	16	UR
10	67F-12169-00-00	PAD, ADJUSTING (2.775)	16	UR
10	67F-12169-10-00	PAD, ADJUSTING (2.800)	16	UR
10	67F-12169-20-00	PAD, ADJUSTING (2.825)	16	UR
10	67F-12169-30-00	PAD, ADJUSTING (2.850)	16	UR
10	67F-12169-40-00	PAD, ADJUSTING (2.875)	16	UR
10	67F-12169-50-00	PAD, ADJUSTING (2.900)	16	UR
10	67F-12169-60-00	PAD, ADJUSTING (2.925)	16	UR
10	67F-12169-70-00	PAD, ADJUSTING (2.950)	16	UR
10	67F-12169-80-00	PAD, ADJUSTING (2.975)	16	UR
10	67F-12169-A0-00	PAD, ADJUSTING (3.000)	16	UR
10	67F-12169-B0-00	PAD, ADJUSTING (3.025)	16	UR
10	67F-12169-C0-00	PAD, ADJUSTING (3.050)	16	UR
10	67F-12169-D0-00	PAD, ADJUSTING (3.075)	16	UR

10	67F-12169-E0-00	PAD, ADJUSTING (3.100)	16	UR
10	67F-12169-F0-00	PAD, ADJUSTING (3.125)	16	UR
10	67F-12169-G0-00	PAD, ADJUSTING (3.150)	16	UR
10	67F-12169-H0-00	PAD, ADJUSTING (3.175)	16	UR
10	67F-12169-J0-00	PAD, ADJUSTING (3.200)	16	UR
10	67F-12169-K0-00	PAD, ADJUSTING (3.225)	16	UR
10	67F-12169-L0-00	PAD, ADJUSTING (3.250)	16	UR
10	67F-12169-M0-00	PAD, ADJUSTING (3.275)	16	UR
10	67F-12168-10-00	PAD, ADJUSTING (2.025)	16	UR
11	67F-12171-00-00	CAMSHAFT 1	1	
12	67F-12181-00-00	CAMSHAFT 2	1	
13	93605-10108-00	PIN, DOWEL	2	
14	67F-11537-00-00	GEAR, DRIVEN	2	
15	90119-10M06-00	BOLT, WITH WASHER	2	
16	93102-38M59-00	.OIL SEAL	2	
17	67F-46241-00-00	BELT	1	
18	67F-11590-00-00	TENSIONER ASSY	1	
19	90506-16M39-00	SPRING, TENSION	1	
20	90445-15M03-00	HOSE (L23)	1	
21	67F-11595-00-00	PLATE, VALVE	1	
22	90119-10M72-00	BOLT, WITH WASHER	1	
23	6D8-11536-00-00	GEAR, DRIVE	1	
24	90170-40003-00	NUT	1	
25	90280-04008-00	KEY, WOODRUFF	1	

F115TXR 0405 / INTAKE 1



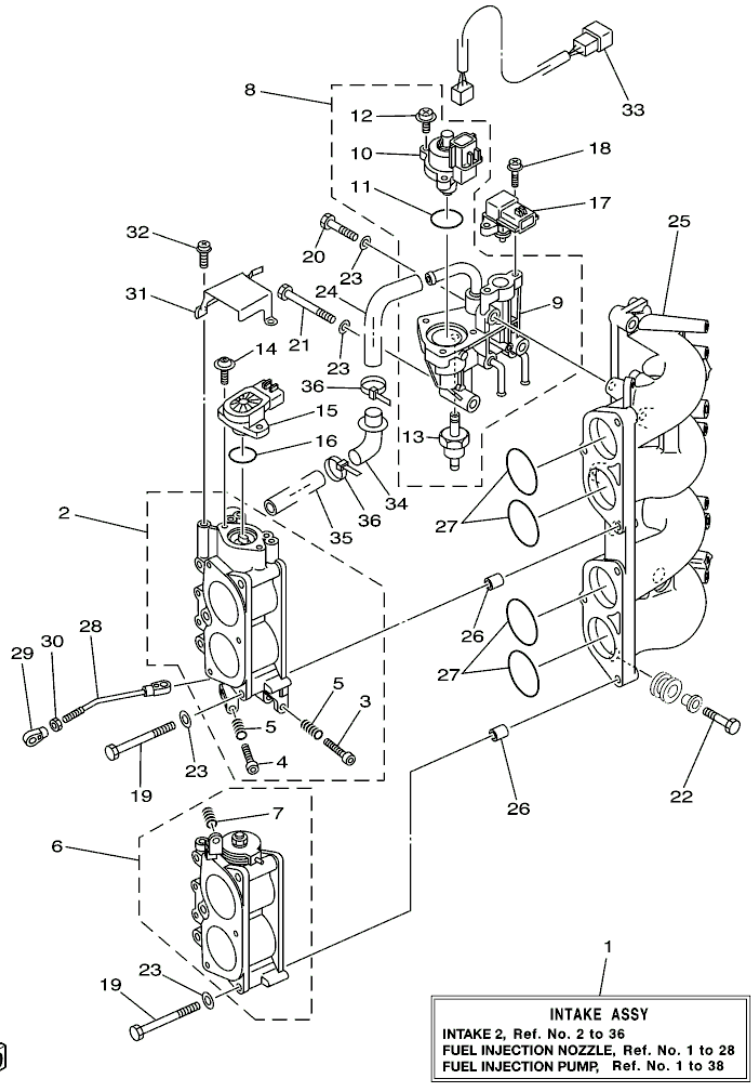
©2013 Yamaha Motor Corporation, U.S.A. All rights reserved.

## Part List

F115TXR 0405 / INTAKE 1

REF - NO	PART NUMBER	PART NAME	QUANTITY	REMARKS
1	97575-08540-00	BOLT, WITH WASHER	4	
2	90119-08M68-00	BOLT, WITH WASHER	1	
3	90387-08M32-00	COLLAR	1	
4	91690-50014-00	PIN, SPRING	2	
5	68V-13645-00-00	.GASKET, MANIFOLD 1	1	
6	67F-15373-00-00	PIPE, BREATHER	1	
7	90465-11M10-00	CLAMP	2	
8	90467-20M15-00	CLIP	1	
9	6D8-82544-00-00	CLAMP	1	
10	95895-06025-00	BOLT, FLANGE	1	
11	90465-12M03-00	CLAMP	1	
12	97095-06012-00	BOLT	1	
13	92995-06600-00	WASHER	1	
14	68V-14291-00-94	BRACKET 1	2	
15	90119-06M49-00	BOLT, WITH WASHER	8	
16	68V-14440-00-00	SILENCER ASSY, INTAKE	1	
17	93210-48M9-00	.O-RING	4	
18	90119-06M82-00	BOLT, WITH WASHER	6	
19	90119-06ME1-00	BOLT, WITH WASHER	2	
20	65L-85886-00-00	THERMOSENSOR	1	
21	68V-14292-00-00	BRACKET 2	1	
22	97095-08020-00	BOLT	2	
23	92995-08600-00	WASHER	2	
24	90465-13M18-00	CLAMP	1	

F115TXR 0405 / INTAKE 2



**FWD**  
68V3100-C071

**1**  
**INTAKE ASSY**  
INTAKE 2, Ref. No. 2 to 36  
FUEL INJECTION NOZZLE, Ref. No. 1 to 28  
FUEL INJECTION PUMP, Ref. No. 1 to 38

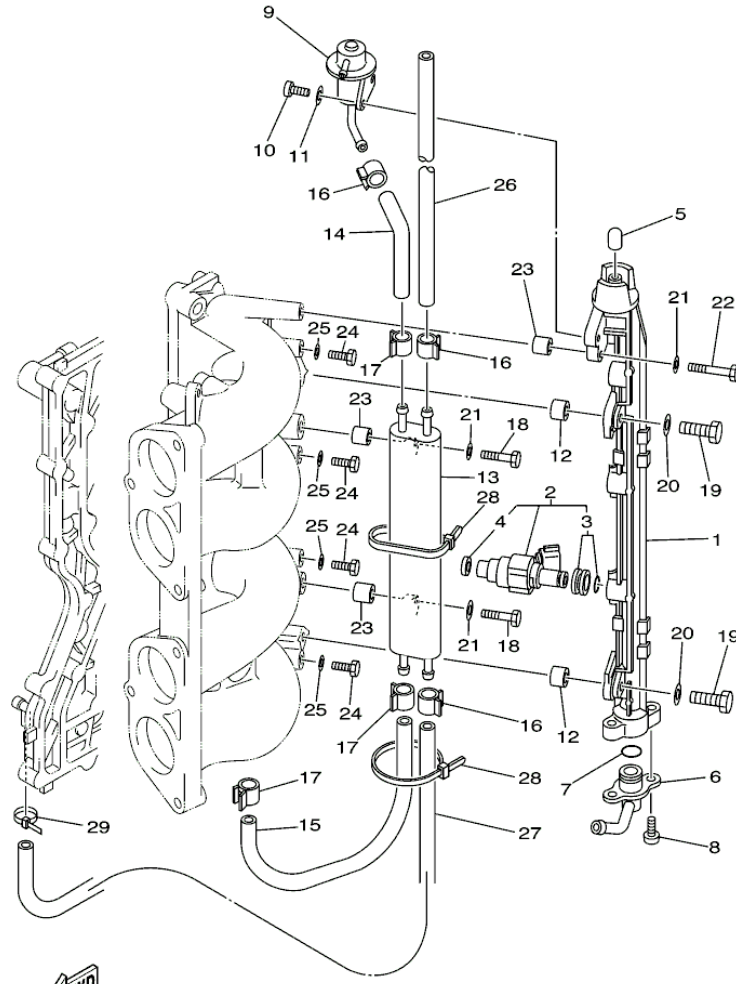
## Part List

F115TXR 0405 / INTAKE 2

REF - NO	PART NUMBER	PART NAME	QUANTITY	REMARKS
1	68V-14200-04-00	INTAKE ASSY	1	
2	68V-13751-01-00	BODY, THROTTLE 1	1	
3	68V-14323-00-00	.SCREW, AIR ADJUSTING	1	
4	68V-14321-00-00	.SCREW, THROTTLE	1	
5	68V-14331-00-00	.SPRING, THROTTLE VALVE	2	
6	68V-13752-01-00	BODY, THROTTLE 2	1	
7	68V-14331-00-00	.SPRING, THROTTLE VALVE	1	
8	68V-13105-00-00	CONTROL VALVE ASSY	1	
9	68V-14960-00-00	.BODY ASSY	1	
10	68V-1312A-00-00	.VALVE, CONTROL	1	
11	68V-13473-00-00	.O-RING	1	
12	68V-81146-01-00	.SCREW 2	3	
13	68V-14511-00-00	.FILTER ASSY	1	
14	68V-81145-01-00	SCREW 1	2	
15	68V-85885-00-00	THROTTLE SENSOR ASSY	1	
16	68V-8182L-00-00	O-RING 1	1	
17	68V-82380-00-00	SENSOR, PRESSURE	1	
18	68V-81147-00-00	SCREW 3	2	
19	68V-14496-00-00	BOLT	6	
20	68V-13574-00-00	BOLT 2	1	
21	68V-13573-00-00	BOLT 1	2	
22	68V-14777-00-00	BOLT	3	
23	68V-14475-00-00	WASHER	9	
24	68V-14419-10-00	PIPE	1	
25	68V-13641-00-94	MANIFOLD 1	1	
26	99530-10114-00	PIN, DOWEL	4	
27	93210-48MG8-00	O-RING	4	
28	68V-41237-00-00	JOINT, LINK	1	
29	6H4-41237-00-00	JOINT, LINK	1	
30	95380-05700-00	NUT	1	
31	68V-1441L-00-00	BRACKET 1	1	
32	68V-81145-00-00	SCREW 1	3	
33	68V-8259N-00-00	WIRE HARNESS ASSY 3	1	
34	68V-14453-00-00	JOINT, AIR CLEANER 1	1	
35	68V-1441J-00-00	PIPE, SILENCER	1	
36	68V-2417H-00-00	CLAMP 1	2	



F115TXR 0405 / FUEL INJECTION NOZZLE



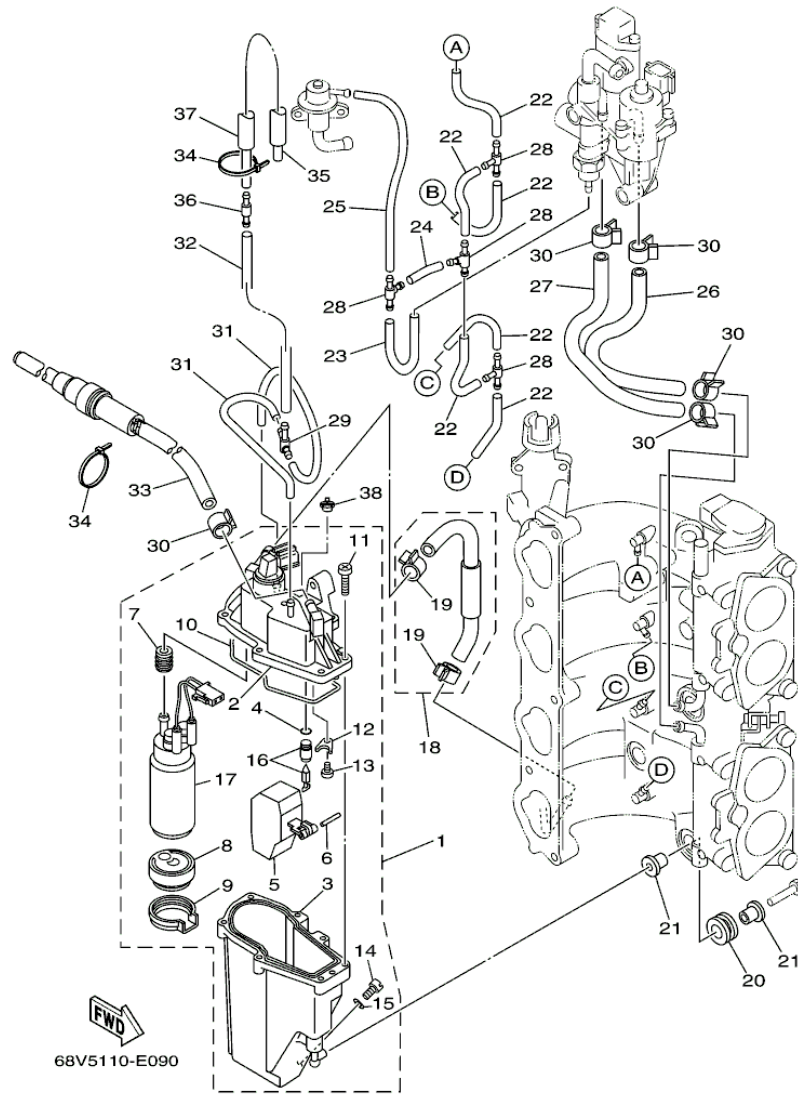
68V1010-2080

## Part List

F115TXR 0405 / FUEL INJECTION NOZZLE

REF - NO	PART NUMBER	PART NAME	QUANTITY	REMARKS
1	68V-13160-00-00	DELIVERY PIPE ASSY 1	1	
2	68V-8A360-00-00	INJECTOR UNIT	4	
3	68V-1410B-00-00	.PACKING KIT	1	
4	68V-13766-00-00	.RUBBER, INJECTOR	1	
5	68V-14225-00-00	.CAP	1	
6	68V-13435-00-00	NIPPLE	1	
7	68V-14397-00-00	.O-RING	1	
8	68V-81147-00-00	SCREW 3	2	
9	68V-13906-01-00	REGULATOR, PRESSURE	1	
10	68V-14565-00-00	.SCREW	2	
11	68V-14356-00-00	WASHER, SPRING	2	
12	68V-14264-00-00	COLLAR	2	
13	68V-21841-00-00	COOLER	1	
14	68V-13971-00-00	PIPE, FUEL 1	1	
15	68V-13972-00-00	PIPE, FUEL 2	1	
16	68V-24519-00-00	CLIP	3	
17	68V-2411M-00-00	CLIP	3	
18	68V-14777-00-00	BOLT	2	
19	68V-14428-00-00	BOLT	2	
20	68V-14475-00-00	WASHER	2	
21	68V-14357-00-00	WASHER, PLAIN	3	
22	68V-14446-00-00	BOLT	1	
23	68V-14265-00-00	COLLAR	3	
24	97095-06010-00	BOLT	4	
25	90430-06014-00	GASKET	4	
26	68V-2447A-00-00	HOSE 1	1	
27	68V-2247B-00-00	HOSE 2	1	
28	68V-2481H-00-00	CLAMP	2	
29	90465-11M10-00	CLAMP	1	

F115TXR 0405 / FUEL INJECTION PUMP



©2013 Yamaha Motor Corporation, U.S.A. All rights reserved.


## Part List

F115TXR 0405 / FUEL INJECTION PUMP

REF - NO	PART NUMBER	PART NAME	QUANTITY	REMARKS
1	68V-14180-02-00	FLOAT CHAMBER ASSY	1	
2	68V-14182-01-00	.COVER, FLOAT CHAMBER	1	
3	68V-14181-00-00	.BODY, FLOAT CHAMBER 1	1	
4	68V-13769-00-00	.O-RING	1	
5	68V-14985-00-00	.FLOAT	1	
6	68V-14386-00-00	.PIN, FLOAT	1	
7	68V-13781-10-00	.DAMPER, PUMP	1	
8	68V-13915-00-00	.FILTER	1	
9	68V-13784-00-00	.COVER, PUMP	1	
10	68V-14984-00-00	.GASKET, FLOAT CHAMBER	1	
11	68V-14567-00-00	.SCREW	7	
12	68V-14255-00-00	.PLATE	1	
13	68V-14592-00-00	.SCREW	1	
14	68V-14191-00-00	.PLUG, DRAIN	1	
15	68V-14126-00-00	.GASKET	1	
16	68V-14546-00-00	.VALVE, NEEDLE	1	
17	68V-13907-02-00	.FUEL PUMP COMP	1	
18	68V-14807-00-00	HOSE COMP.	1	
19	68V-24387-00-00	.CLIP	2	
20	68V-13593-00-00	DAMPER	3	
21	68V-13716-00-00	COLLAR	6	
22	68V-13542-00-00	HOSE, VACUUM SENSING 1	6	
23	68V-13533-00-00	.HOSE, VACUUM SENSING 4	1	
24	68V-13544-00-00	HOSE, VACUUM SENSING 2	1	
25	68V-13532-00-00	HOSE, VACUUM SENSING 3	1	
26	68V-13545-00-00	HOSE 1	1	
27	68V-13546-00-00	HOSE 2	1	
28	68V-24377-00-00	PIPE, JOINT 2	4	
29	68V-24379-00-00	PIPE, JOINT 4	1	
30	68V-13577-00-00	CLIP	5	
31	68V-13534-00-00	HOSE, VACUUM SENSING 5	2	
32	68V-13547-01-00	HOSE 3	1	
33	68V-24502-01-00	FILTER, FUEL	1	
34	68V-2481H-00-00	CLAMP	2	
35	68V-13535-00-00	HOSE, VACUUM SENSING 5	1	
36	68V-13490-01-00	RELIEF VALVE ASSY	1	
37	68V-13543-01-00	HOSE, AIR	1	
38	69J-14225-00-00	CAP	1	

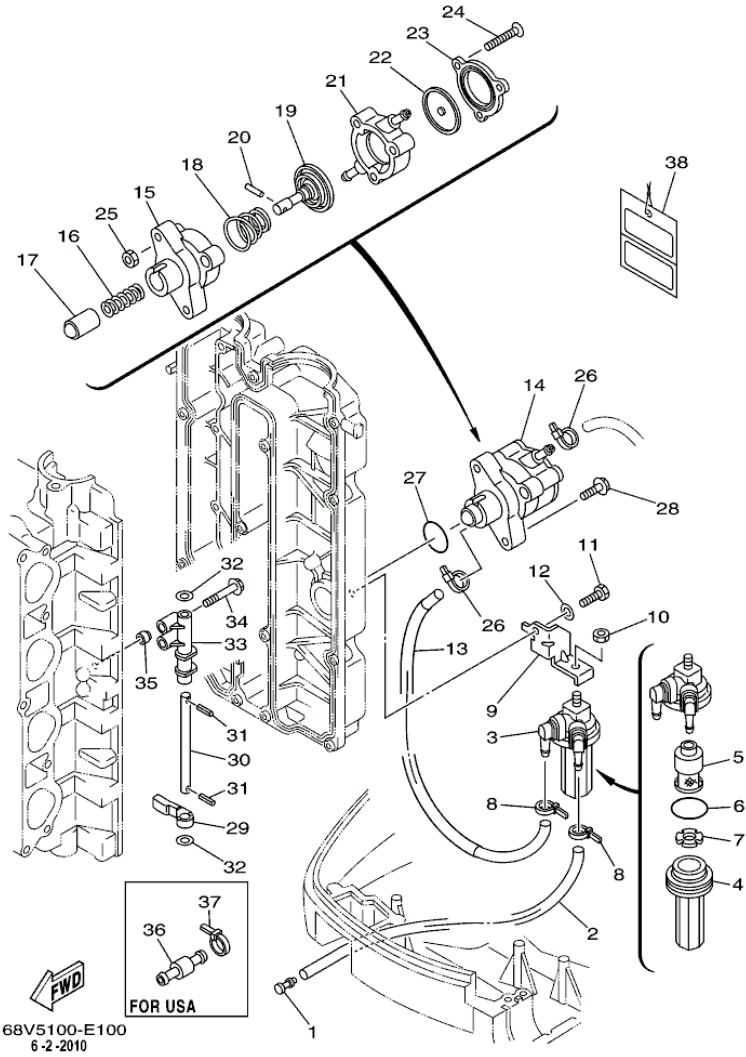
## Part Notes

F115TXR 0405 / FUEL INJECTION PUMP

PART NUMBER	NOTE TEXT
68V-14984-00-00 	OEM: This part number is among the Top 100 Most Popular Marine Maintenance Parts as of August 2013.

©2013 Yamaha Motor Corporation, U.S.A. All rights reserved.

F115TXR 0405 / FUEL 1



**FWD**  
FOR USA  
68V5100-E100  
6-2-2010


## Part List

F115TXR 0405 / FUEL 1

REF - NO	PART NUMBER	PART NAME	QUANTITY	REMARKS
1	689-85547-00-00	DAMPER	1	
2	90445-13M37-00	HOSE (L2300)	1	
3	68V-24560-01-00	FILTER ASSY	1	
4	68V-24521-01-00	.CUP, FILTER	1	
5	68V-24563-00-00	.ELEMENT, FILTER	1	
6	93210-32738-00	.O-RING	1	
7	68V-24469-01-00	.FLOAT, WATER LEVEL	1	
8	90465-11M10-00	CLAMP	2	
9	68V-24566-00-00	BRACKET, FILTER	1	
10	95380-08600-00	NUT	1	
11	97095-06016-00	BOLT	1	
12	92995-06600-00	WASHER	1	
13	68V-24311-00-00	PIPE, FUEL 1	1	
14	68V-24410-00-00	FUEL PUMP ASSY	1	
15	68V-24412-00-00	.BODY 1	1	
16	68V-24454-00-00	.SPRING	1	
17	68V-13131-00-00	.PLUNGER	1	
18	68V-24423-00-00	.SPRING, DIAPHRAGM	1	
19	68V-24411-00-00	.DIAPHRAGM	1	
20	68V-24374-00-00	.PIN	1	
21	68V-24413-00-00	.BODY 2	1	
22	68V-24471-00-00	.DIAPHRAGM	1	
23	68V-24414-00-00	.BODY 3	1	
24	68V-24444-00-00	.SCREW	3	
25	68V-24149-00-00	.NUT	3	
26	90465-11M10-00	CLAMP	2	
27	93210-30682-00	.O-RING	1	
28	90119-06M83-00	BOLT, WITH WASHER	2	
29	67F-24575-00-00	LEVER, FUEL CHANGE	1	
30	68V-24495-00-00	SHAFT	1	
31	91609-25014-00	PIN, SPRING	2	
32	90201-08M12-00	.WASHER, PLATE	2	
33	67F-24491-00-00	BRACKET, FUEL PUMP	1	
34	90119-07235-00	.BOLT/WASHER-CAM CAPS	2	
35	91809-08006-00	.PIN, DOWEL	2	
36	6R3-24377-10-00	PIPE, JOINT 2	1	
37	90465-11M10-00	CLAMP	1	
38	61H-2819R-31-00	TAG, WARNING	1	

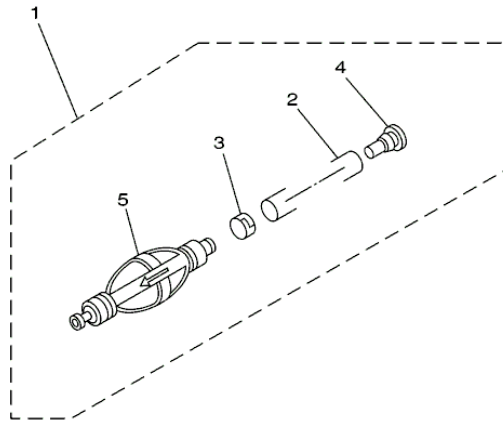
## Part Notes

F115TXR 0405 / FUEL 1

PART NUMBER	NOTE TEXT
68V-24563-00-00 	OEM: This part number is among the Top 100 Most Popular Marine Maintenance Parts as of August 2013.

©2013 Yamaha Motor Corporation, U.S.A. All rights reserved.

F115TXR 0405 / FUEL 2



68V0100-0110

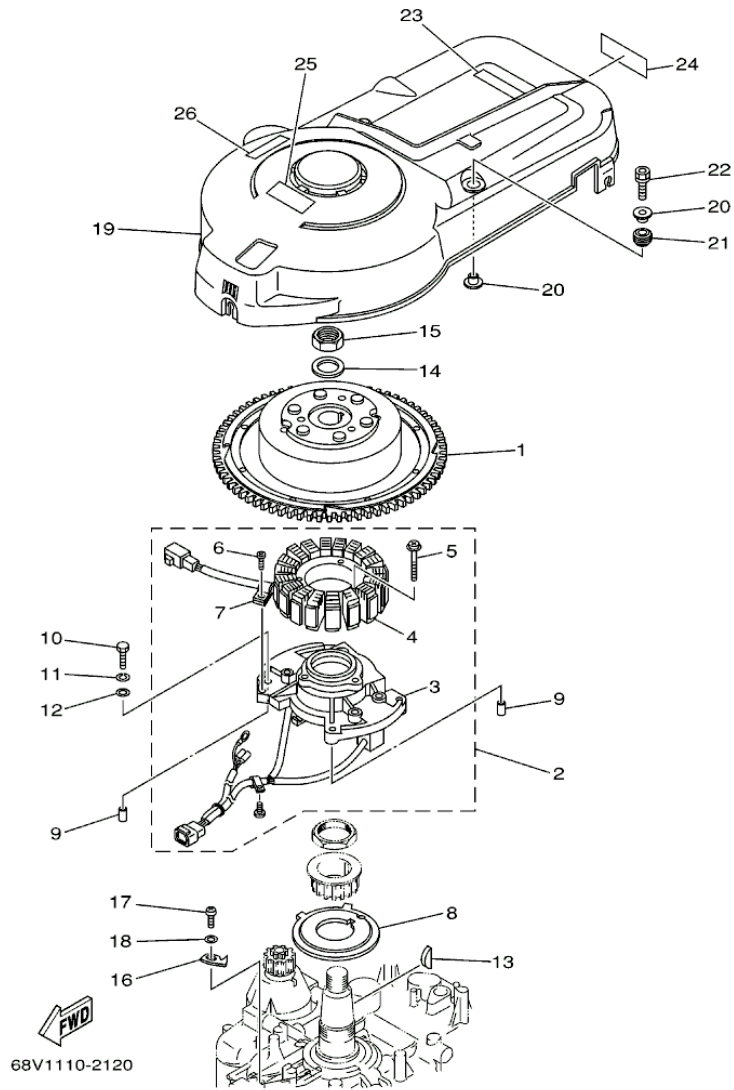
## Part List

F115TXR 0405 / FUEL 2

REF - NO	PART NUMBER	PART NAME	QUANTITY	REMARKS
1	6Y2-24307-50-00	FUEL PIPE COMP. 2	1	AP
2	90445-13M01-00	.HOSE (L2050)	1	
3	6E5-24351-51-00	.BAND 1	1	
4	90480-06M19-00	.GROMMET	1	
5	6Y2-24360-60-00	.PRIMER PUMP ASSY	1	



F115TXR 0405 / GENERATOR



©2013 Yamaha Motor Corporation, U.S.A. All rights reserved.


Part List

F115TXR 0405 / GENERATOR

REF - NO	PART NUMBER	PART NAME	QUANTITY	REMARKS
1	68V-81450-00-00	ROTOR ASSY	1	
2	68V-81460-00-00	BASE ASSY	1	
3	68V-85580-00-00	.COIL, PULSER	1	
4	68V-81410-00-00	.STATOR ASSY	1	
5	63D-81345-20-00	.SCREW, WITH WASHER (M6X30)	3	
6	97607-04110-00	.SCREW,WITH WASHER	1	
7	445-81328-20-00	.CLAMP	1	
8	68V-81673-00-00	ROTOR	1	
9	99530-08012-00	PIN, DOWEL	2	
10	97095-06030-00	BOLT	4	
11	92995-06100-00	WASHER, SPRING	4	
12	92995-06600-00	WASHER	4	
13	90280-04M08-00	KEY, WOODRUFF	1	
14	90201-24014-00	WASHER, PLATE	1	
15	90179-24002-00	NUT	1	
16	6D8-81332-00-00	PLATE, TIMING	1	
17	97885-06010-00	SCREW, PAN HEAD	1	
18	92995-06600-00	WASHER	1	
19	67F-81337-01-00	COVER, FLYWHEEL	1	
20	90387-06M71-00	COLLAR	4	
21	90480-15M31-00	GROMMET	2	
22	90119-06M92-00	BOLT, WITH WASHER	2	
23	67F-12138-40-00	MARK, CAUTION	1	
24	68V-13437-41-00	MARK, CAUTION	1	
25	6A1-83625-41-00	MARK 5	1	
26	6K1-83623-41-00	MARK 3	1	LF115

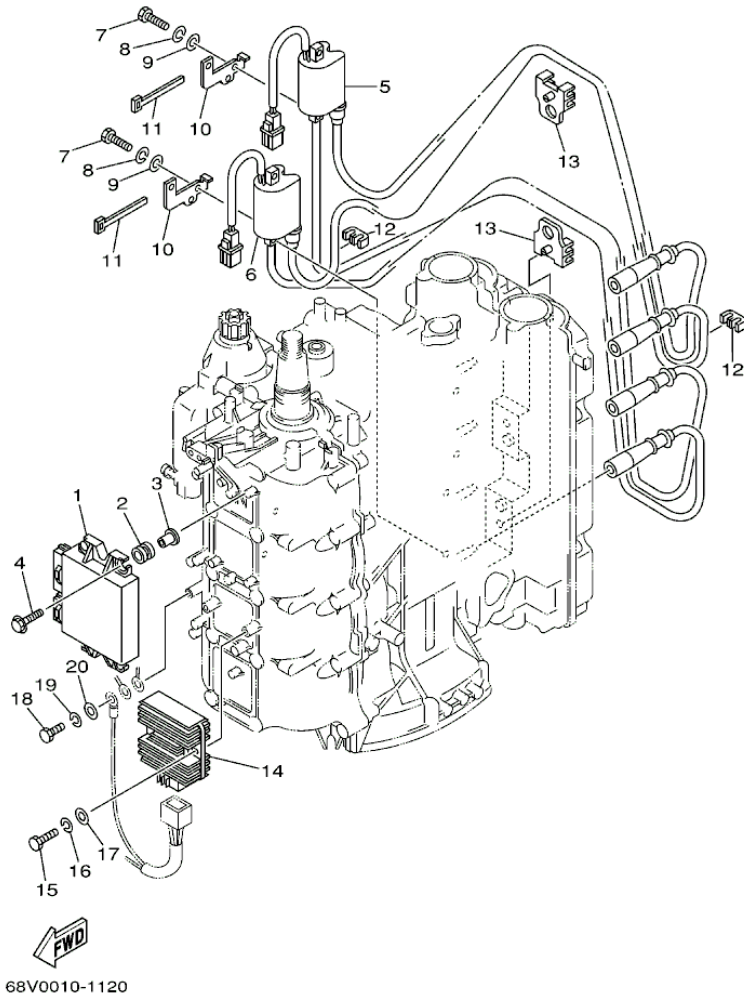
Part Notes

F115TXR 0405 / GENERATOR

PART NUMBER	NOTE TEXT
92995-06100-00 	OEM: This part number is among the Top 100 Most Popular Marine Maintenance Parts as of August 2013.

©2013 Yamaha Motor Corporation, U.S.A. All rights reserved.

F115TXR 0405 / ELECTRICAL 1



©2013 Yamaha Motor Corporation, U.S.A. All rights reserved.




## Part List

F115TXR 0405 / ELECTRICAL 1

REF - NO	PART NUMBER	PART NAME	QUANTITY	REMARKS
1	68V-8591A-40-00	ENGINE CONTROL UNIT ASSY	1	
2	68V-82317-00-00	DAMPER, IGNITION COIL	4	
3	90387-06119-00	COLLAR	4	
4	90119-06M59-00	BOLT, WITH WASHER	4	
5	68V-82310-00-00	IGNITION COIL ASSY	1	
6	68V-82310-10-00	IGNITION COIL ASSY	1	
7	97095-06025-00	BOLT	4	
8	92995-06100-00	WASHER, SPRING	4	
9	92995-06600-00	WASHER	4	
10	68V-82388-00-00	PLATE	2	
11	90464-06001-00	CLAMP	2	
12	67F-82361-00-00	CLAMP, CORD	2	
13	67F-82362-00-00	CLAMP, CORD 2	2	
14	68V-81960-00-00	RECTIFIER & REGULATOR ASSY	1	
15	97095-06025-00	BOLT	2	
16	92995-06100-00	WASHER, SPRING	2	
17	92995-06600-00	WASHER	2	
18	97095-06020-00	BOLT	1	
19	92995-06100-00	WASHER, SPRING	1	
20	92995-06600-00	WASHER	1	

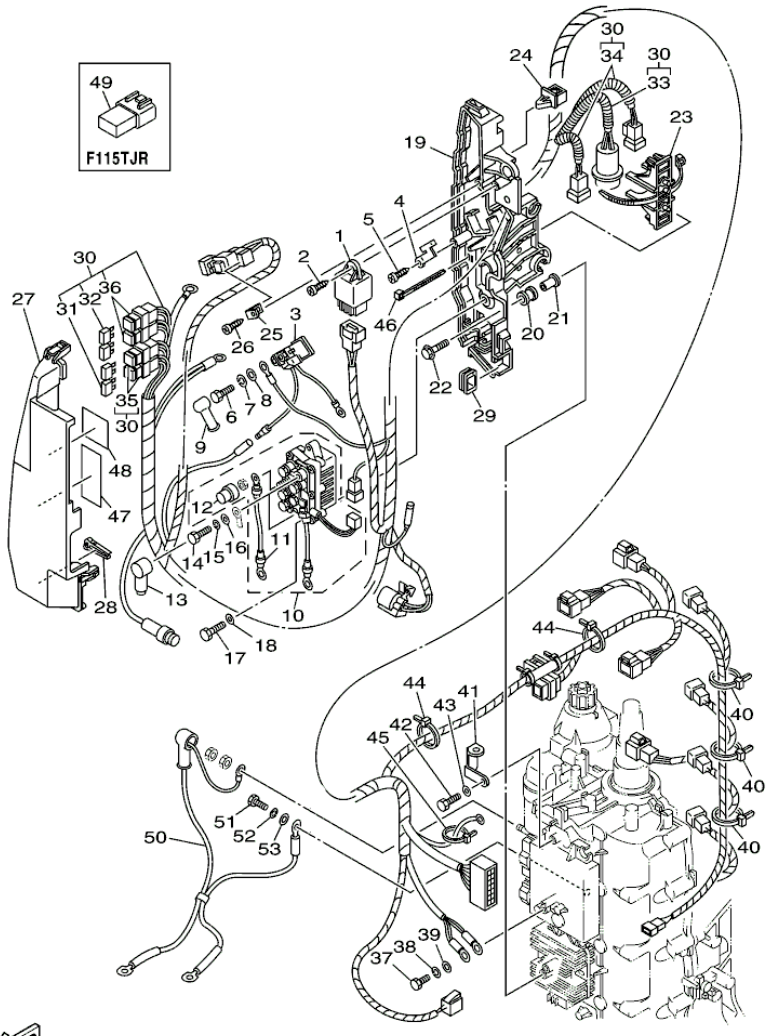
## Part Notes

F115TXR 0405 / ELECTRICAL 1

PART NUMBER		NOTE TEXT
92995-06100-00		OEM: This part number is among the Top 100 Most Popular Marine Maintenance Parts as of August 2013.
92995-06100-00		OEM: This part number is among the Top 100 Most Popular Marine Maintenance Parts as of August 2013.
92995-06100-00		OEM: This part number is among the Top 100 Most Popular Marine Maintenance Parts as of August 2013.

©2013 Yamaha Motor Corporation, U.S.A. All rights reserved.

F115TXR 0405 / ELECTRICAL 2



68V5110-E140

## Part List

F115TXR 0405 / ELECTRICAL 2

REF - NO	PART NUMBER	PART NAME	QUANTITY	REMARKS
1	68V-81950-00-00	RELAY ASSY	1	
2	97780-60625-00	SCREW, TAPPING	1	
3	68V-8194A-00-00	RELAY	1	
4	68V-81953-00-00	STAY, RELAY	1	
5	97780-60620-00	SCREW, TAPPING	1	
6	97095-06010-00	BOLT	2	
7	92995-06100-00	WASHER, SPRING	2	
8	92995-06600-00	WASHER	2	
9	6G5-82119-00-00	COVER, LEAD WIRE	2	
10	68V-8195B-01-00	RELAY ASSY	1	
11	68V-81949-00-00	.WIRE, LEAD	1	
12	68V-82532-00-00	.CAP	1	
13	682-82119-01-00	COVER, LEAD WIRE	2	
14	97095-06010-00	BOLT	2	
15	92995-06100-00	WASHER, SPRING	2	
16	92995-06600-00	WASHER	2	
17	97013-06020-00	BOLT	2	
18	92903-06600-00	WASHER, PLATE	2	
19	68V-81948-02-00	BRACKET	1	
20	6A0-82317-00-00	DAMPER, IGNITION COIL	5	
21	90387-06119-00	COLLAR	5	
22	90119-06M59-00	BOLT, WITH WASHER	5	
23	68V-82594-00-00	CLAMP	1	
24	90464-12M58-00	CLAMP	1	
25	68V-85548-00-00	HOLDER	1	
26	97780-60620-00	SCREW, TAPPING	1	
27	68V-81942-03-00	COVER	1	
28	67F-2812A-00-00	.PULLER, FUSE	1	
29	6D8-81518-00-00	GROMMET	1	
30	68V-82590-41-00	WIRE HARNESS ASSY	1	
31	67F-82151-00-00	.FUSE (20A)	4	
32	67F-82151-10-00	.FUSE (30A)	4	
33	90447-10003-00	.TUBE	1	
34	90447-07007-00	.TUBE	2	
35	67F-8215B-10-00	.CAP (YELLOW)	2	
36	67F-8215B-20-00	.CAP (GREEN)	2	
37	97095-06020-00	BOLT	1	
38	92995-06100-00	WASHER, SPRING	1	
39	92995-06600-00	WASHER	1	
40	90465-13M18-00	CLAMP	8	
41	6D8-82581-00-00	STAY, CORD CLAMP	1	
42	97095-06014-00	BOLT	1	
43	92995-06600-00	WASHER	1	
44	90465-11M52-00	CLAMP	2	
45	90465-13M18-00	CLAMP	1	
46	90465-13M18-00	CLAMP	2	
47	68V-81919-00-00	GRAPHIC, REGULATOR	1	
48	68V-81919-10-00	GRAPHIC, REGULATOR	1	
49	68V-82582-10-00	COVER, WIRE HARNESS	1	F115TJR
50	68V-82105-00-00	BATTERY CABLE	1	
51	97013-06020-00	BOLT	1	
52	92903-06100-00	WASHER, SPRING	1	
53	92903-06600-00	WASHER, PLATE	1	

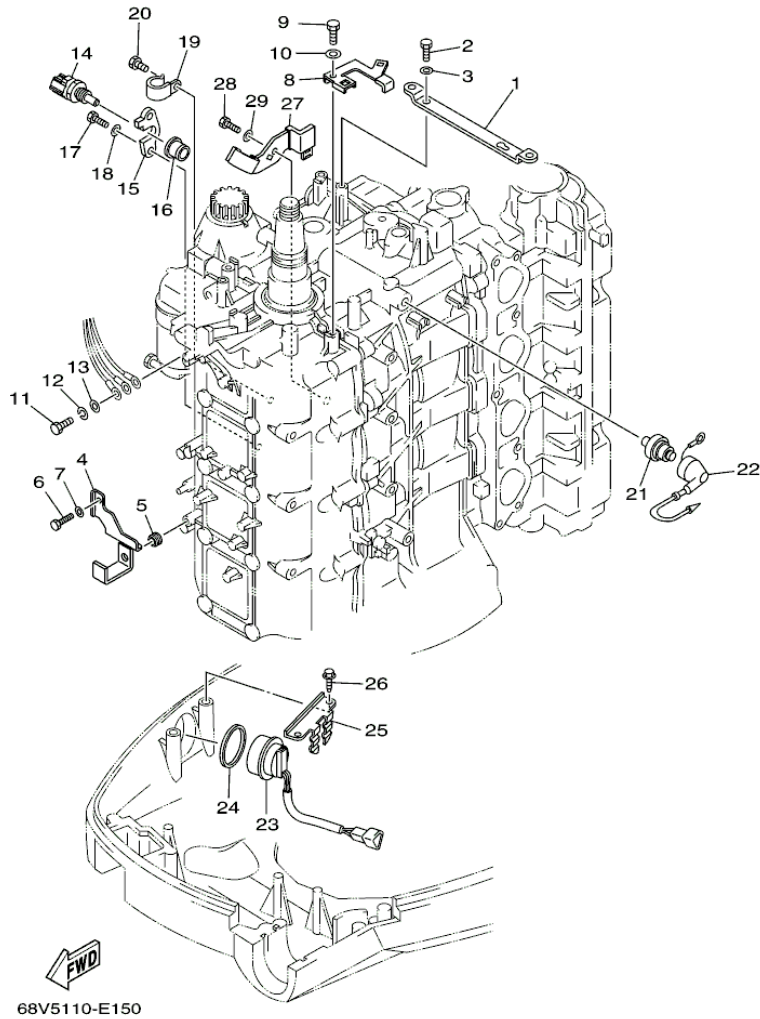
## Part Notes

F115TXR 0405 / ELECTRICAL 2

PART NUMBER		NOTE TEXT
92995-06100-00		OEM: This part number is among the Top 100 Most Popular Marine Maintenance Parts as of August 2013.
92995-06100-00		OEM: This part number is among the Top 100 Most Popular Marine Maintenance Parts as of August 2013.
92995-06100-00		OEM: This part number is among the Top 100 Most Popular Marine Maintenance Parts as of August 2013.

©2013 Yamaha Motor Corporation, U.S.A. All rights reserved.

F115TXR 0405 / ELECTRICAL 3



©2013 Yamaha Motor Corporation, U.S.A. All rights reserved.




## Part List

F115TXR 0405 / ELECTRICAL 3

REF - NO	PART NUMBER	PART NAME	QUANTITY	REMARKS
1	67F-8132G-01-00	PLATE	1	
2	97095-06016-00	BOLT	2	
3	92995-06600-00	WASHER	2	
4	6D8-81528-00-00	CLAMP 1	1	
5	90480-13M24-00	GROMMET	1	
6	97095-06014-00	BOLT	1	
7	92995-06600-00	WASHER	1	
8	68V-82588-10-00	PLATE	1	
9	97095-06012-00	BOLT	1	
10	92995-06600-00	WASHER	1	
11	97095-06020-00	BOLT	1	
12	92995-06100-00	WASHER, SPRING	1	
13	92995-06600-00	WASHER	1	
14	67F-85790-00-00	THERMOSENSOR ASSY	1	
15	67F-85757-00-00	RETAINER	1	
16	68V-85753-00-00	.GASKET, SENDER UNIT	1	
17	97095-06016-00	BOLT	2	
18	92995-06600-00	WASHER	2	
19	90465-06M86-00	CLAMP	1	
20	97095-06010-00	BOLT	1	
21	68V-82504-00-00	OIL PRESSURE SWITCH ASSY	1	
22	68V-81315-00-00	LEAD WIRE ASSY	1	
23	63D-82563-10-00	TRIM & TILT SWITCH ASSY	1	
24	6E5-82587-00-00	GASKET	1	
25	67F-83614-00-00	BRACKET	1	
26	90109-06M86-00	BOLT	2	
27	6D8-8252H-00-00	PLATE, HOLDER	1	
28	97095-06012-00	BOLT	1	
29	92995-06600-00	WASHER	1	

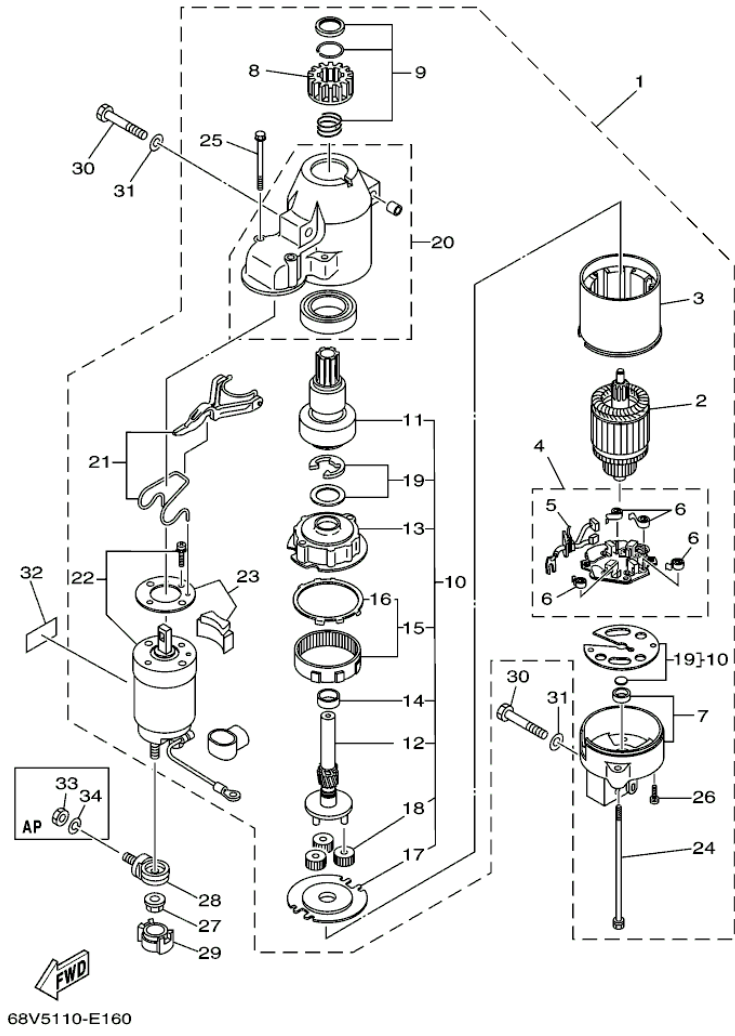
## Part Notes

F115TXR 0405 / ELECTRICAL 3

PART NUMBER	NOTE TEXT
92995-06100-00 	OEM: This part number is among the Top 100 Most Popular Marine Maintenance Parts as of August 2013.

©2013 Yamaha Motor Corporation, U.S.A. All rights reserved.

F115TXR 0405 / STARTING MOTOR



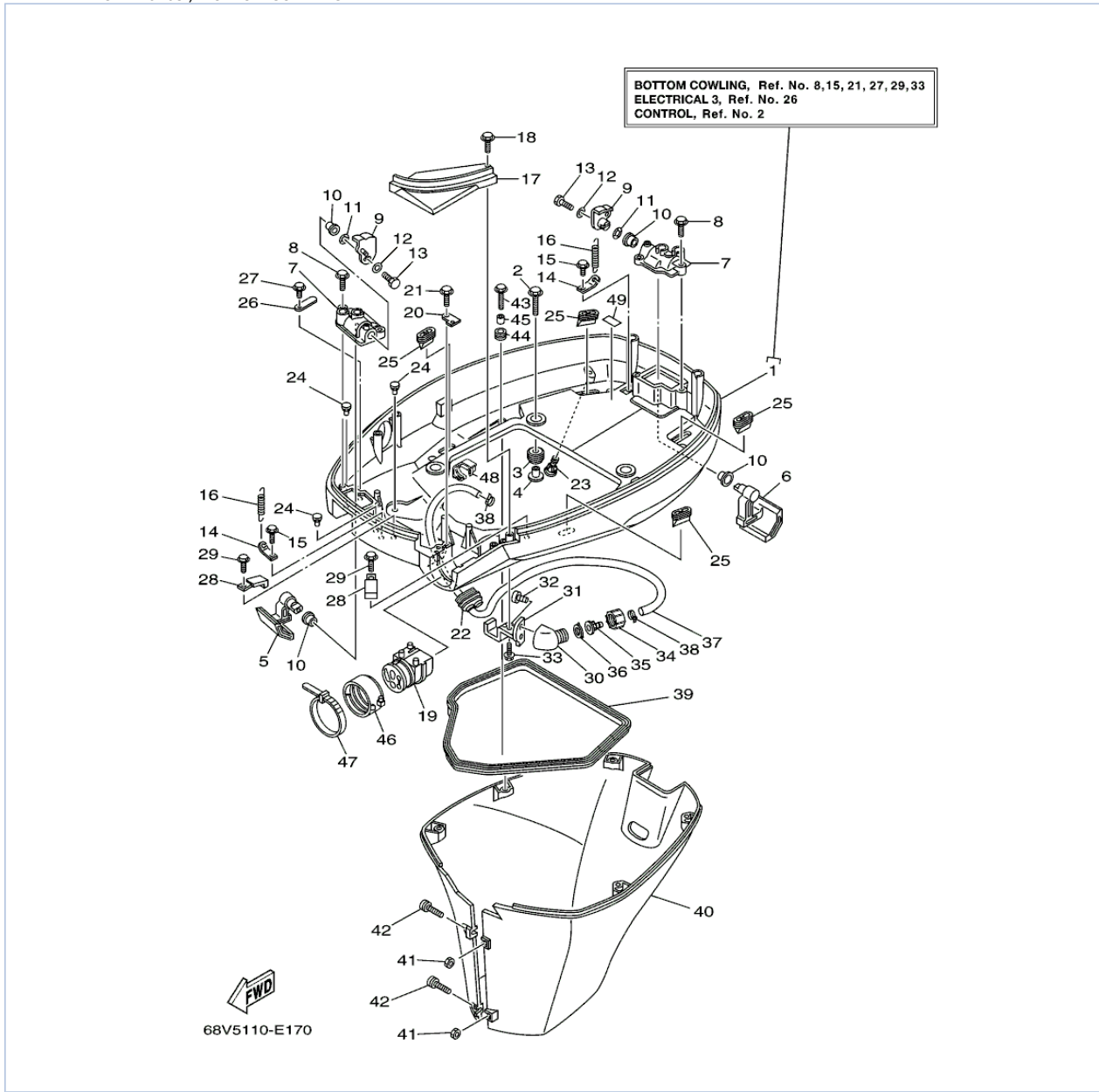
©2013 Yamaha Motor Corporation, U.S.A. All rights reserved.

## Part List

F115TXR 0405 / STARTING MOTOR

REF - NO	PART NUMBER	PART NAME	QUANTITY	REMARKS
1	68V-81800-01-00	STARTING MOTOR ASSY	1	
2	67F-81850-00-00	.ARMATURE ASSY	1	
3	67F-81810-00-00	.STATOR ASSY	1	
4	68F-81840-00-00	.BRUSH HOLDER ASSY	1	
5	67F-81801-00-00	..BRUSH SET	1	
6	67F-81813-00-00	..SPRING, BRUSH	4	
7	68F-81820-00-00	.REAR BRACKET ASSY	1	
8	67F-81808-00-00	.PINION ASSY	1	
9	67F-81857-00-00	.PINION STOPPER SET	1	
10	67F-81807-00-00	.GEAR ASSY, STARTING MOTOR	1	
11	67F-81832-00-00	..CLUTCH, OVER RUN	1	
12	67F-81836-00-00	..SHAFT, PINION	1	
13	67F-81821-00-00	..BRACKET, CENTER 1	1	
14	67F-81841-00-00	..BEARING	1	
15	67F-81891-00-00	..GEAR, RING	1	
16	67F-8183R-00-00	...GASKET	1	
17	67F-81830-00-00	..BRACKET, CENTER 2	1	
18	60V-8183T-00-00	..GEAR, IDLER	3	
19	67F-81809-00-00	..WASHER KIT	1	
20	67F-81842-00-00	.COVER	1	
21	67F-81839-00-00	.LEVER ASSY	1	
22	68V-81941-01-00	.STARTER RELAY ASSY	1	
23	67F-81869-00-00	.COVER, DUST	1	
24	6K7-81826-10-00	.BOLT	2	
25	67F-81828-00-00	.SCREW 2	2	
26	67F-81846-00-00	.SCREW	2	
27	90179-08003-00	NUT	1	
28	60V-81925-00-00	TERMINAL	1	
29	68F-82582-00-00	COVER, WIRE HARNESS	1	
30	97013-08045-00	BOLT	3	
31	92903-08600-00	WASHER, PLATE	3	
32	67F-83627-01-00	LABEL, CAUTION 7	1	
33	95333-08600-00	NUT	1	
34	92903-08100-00	WASHER, SPRING	1	

F115TXR 0405 / BOTTOM COWLING



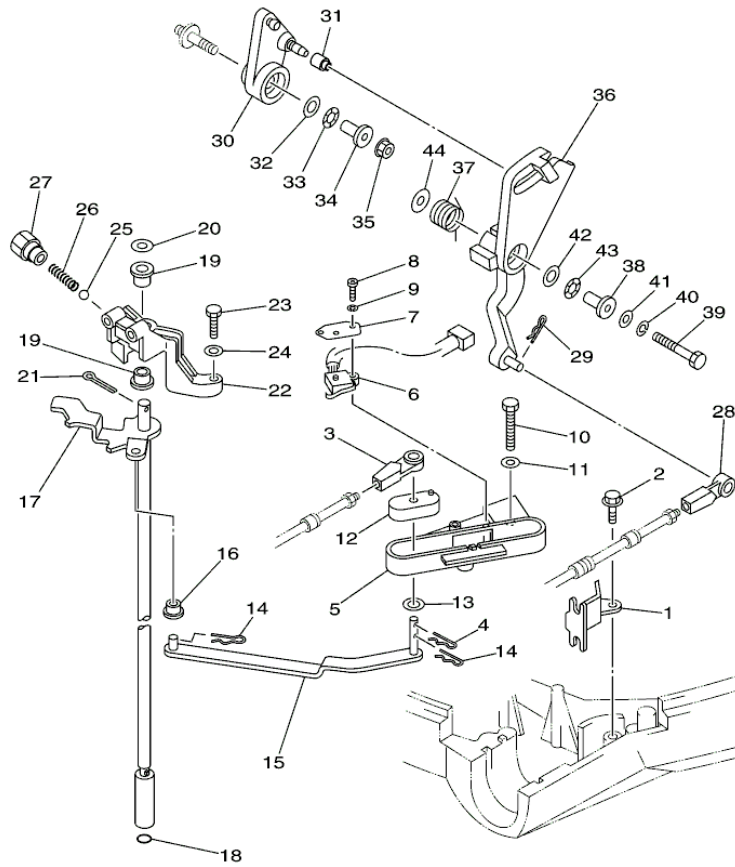
©2013 Yamaha Motor Corporation, U.S.A. All rights reserved.

## Part List

F115TXR 0405 / BOTTOM COWLING

REF - NO	PART NUMBER	PART NAME	QUANTITY	REMARKS
1	68V-42710-01-8D	BOTTOM COWLING ASSY	1	
2	90119-08M22-00	BOLT, WITH WASHER	4	
3	90480-22M15-00	GROMMET	4	
4	90387-08M37-00	COLLAR	4	
5	67F-42815-00-8D	LEVER, CLAMP	1	
6	67F-42816-00-8D	LEVER, CLAMP	1	
7	67F-42828-00-5B	PLATE, CLAMP	2	
8	90109-06M82-00	BOLT	4	
9	68V-42818-01-00	LEVER, CLAMP	2	
10	90386-15M73-00	BUSH	4	
11	90206-15M18-00	WASHER, WAVE	2	
12	90201-06068-00	WASHER, PLATE	2	
13	97095-06016-00	BOLT	2	
14	64D-43144-00-00	HOOK, SPRING	2	
15	90109-06M80-00	BOLT	2	
16	90506-16M34-00	SPRING, TENSION	2	
17	68V-42738-00-5B	PLATE, FITTING	1	
18	90109-06M82-00	BOLT	2	
19	68V-42725-00-00	GROMMET	1	
20	67F-42756-00-00	STAY, CLAMP	1	
21	90109-06M86-00	BOLT	1	
22	6H1-42726-21-00	GROMMET	1	FLUSHING KIT
23	6H3-44391-01-00	NIPPLE, HOSE	1	
24	6H4-42748-00-00	GROMMET	3	
25	67F-42717-00-00	RUBBER, SEAL 2	4	
26	6E5-82588-00-00	PLATE	1	
27	90109-06M81-00	BOLT	1	
28	90465-08M23-00	CLAMP	2	
29	90109-06M80-00	BOLT	2	
30	68T-12572-00-00	ADAPTER	1	FLUSHING KIT
31	67F-12535-00-00	PLATE	1	FLUSHING KIT
32	90167-06002-00	SCREW, TAPPING	2	FLUSHING KIT
33	90109-06M86-00	BOLT	1	FLUSHING KIT
34	6R3-12581-00-00	JOINT, HOSE 1	1	FLUSHING KIT
35	6R3-12582-00-00	JOINT, HOSE 2	1	FLUSHING KIT
36	6R3-12583-00-00	GASKET, HOSE JOINT	1	FLUSHING KIT
37	68V-24312-00-00	PIPE 2	1	FLUSHING KIT
38	90465-11M10-00	CLAMP	2	FLUSHING KIT
39	61A-42716-00-00	RUBBER, SEAL 1	1	
40	67F-42741-01-8D	APRON	1	
41	95380-06600-00	NUT, HEXAGON	2	
42	90159-06M28-00	SCREW, WITH WASHER	2	
43	90109-06M80-00	BOLT	5	
44	90480-13M24-00	GROMMET	5	
45	90387-06M43-00	COLLAR	5	
46	68F-42753-00-00	FASTNER	1	AP
47	90464-20258-00	CLAMP	1	AP
48	90464-18004-00	CLAMP	1	
49	68V-82377-00-00	LABEL	1	

F115TXR 0405 / CONTROL



68V3100-C210

©2013 Yamaha Motor Corporation, U.S.A. All rights reserved.


## Part List

F115TXR 0405 / CONTROL

REF - NO	PART NUMBER	PART NAME	QUANTITY	REMARKS
1	67F-48538-00-00	CLAMP, CABLE 1	1	
2	90109-06M86-00	BOLT	1	
3	663-48344-00-00	.CABLE END, REMOTE CONTROL	1	
4	90468-18008-00	CLIP	1	
5	68V-44117-00-00	BRACKET	1	
6	60V-8259F-00-00	SWITCH ASSY	1	EXCEPT F115TJR
7	61A-82588-01-00	PLATE	1	EXCEPT F115TJR
8	97885-04016-00	SCREW, PAN HEAD	2	EXCEPT F115TJR
9	92995-04100-00	WASHER	2	EXCEPT F115TJR
10	97095-06040-00	.BOLT	2	
11	92995-06600-00	WASHER	2	
12	68V-44122-01-00	BUSHING, SHIFT ROD LEVER	1	
13	90202-07M07-00	WASHER, PLATE	1	
14	90468-18008-00	CLIP	2	
15	68V-44121-00-00	LEVER, SHIFT ROD	1	
16	90386-06M12-00	BUSH	1	
17	68V-44120-30-00	HANDLE GEAR SHIFT ASSY	1	UR X (25.3")
17	68V-44120-10-00	HANDLE GEAR SHIFT ASSY	1	UR L (20.3")
18	93210-09165-00	O-RING	1	
19	90386-90M90-00	BUSH	2	
20	90201-09M02-00	WASHER, PLATE	1	
21	91490-20015-00	PIN. COTTER	1	
22	68V-44118-00-00	BRACKET	1	
23	97075-06025-00	BOLT	2	
24	92995-06600-00	WASHER	2	
25	93501-04M02-00	BALL	1	
26	90501-12082-00	SPRING, COMPRESSION	1	
27	648-42715-00-00	BUSHING	1	
28	663-48344-00-00	.CABLE END, REMOTE CONTROL	1	
29	90468-18008-00	CLIP	1	
30	68V-42157-00-00	LEVER, THROTTLE	1	
31	68V-42171-00-00	BUSHING	1	
32	90201-10M02-00	WASHER, PLATE	1	
33	90206-10M04-00	WASHER, WAVE	1	
34	90387-06M21-00	COLLAR	1	
35	90179-06M28-00	NUT	1	
36	68V-42154-00-00	LEVER, THROTTLE CONTROL	1	
37	67F-44135-00-00	SPRING	1	
38	90387-06M21-00	COLLAR	1	
39	97095-06035-00	BOLT	1	
40	92995-06100-00	WASHER, SPRING	1	
41	92995-06600-00	WASHER	1	
42	90201-10M02-00	WASHER, PLATE	1	
43	90206-10M04-00	WASHER, WAVE	1	
44	90201-06M31-00	WASHER, PLATE	1	

## Part Notes

F115TXR 0405 / CONTROL

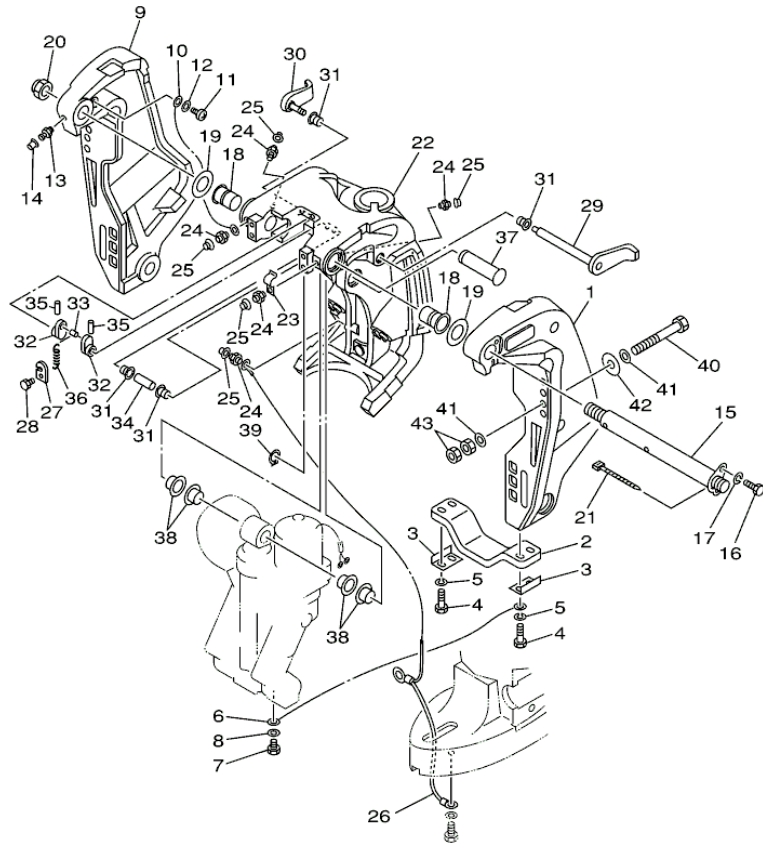
PART NUMBER	NOTE TEXT
92995-06100-00 	OEM: This part number is among the Top 100 Most Popular Marine Maintenance Parts as of August 2013.

©2013 Yamaha Motor Corporation, U.S.A. All rights reserved.





F115TXR 0405 / BRACKET 1



68V0010-0210


## Part List

F115TXR 0405 / BRACKET 1

REF - NO	PART NUMBER	PART NAME	QUANTITY	REMARKS
1	68V-43111-01-8D	BRACKET, CLAMP 1	1	
2	6G5-45251-02-00	ANODE	1	
3	6G5-44526-00-00	PLATE	2	
4	97095-06030-00	BOLT	4	
5	92995-06100-00	WASHER, SPRING	4	
6	6E5-82148-00-00	WIRE, LEAD 4	1	
7	97095-06010-00	BOLT	1	
8	92995-06600-00	WASHER	1	
9	68V-43112-01-8D	BRACKET, CLAMP 2	1	
10	6E5-82148-00-00	WIRE, LEAD 4	1	
11	97880-06012-00	SCREW, PAN HEAD	1	
12	92990-06600-00	WASHER, PLATE	1	
13	93700-06M03-00	NIPPLE, GREASE	1	
14	663-45119-00-00	CAP, GREASE NIPPLE	1	AP
15	64E-43131-01-00	BOLT, CLAMP BRACKET	1	
16	97095-08020-00	BOLT	1	
17	92995-08100-00	WASHER	1	
18	90386-25M31-00	BUSH	2	
19	90201-26M59-00	WASHER, PLATE	2	
20	90185-22M11-00	NUT, SELF-LOCKING	1	
21	90465-11M10-00	CLAMP	1	
22	64E-43311-20-8D	BRACKET, SWIVEL 1	1	UR X (25.3")
22	64E-43311-10-8D	BRACKET, SWIVEL 1	1	UR L (20.3")
23	90465-08M63-00	CLAMP	1	
24	93700-06M03-00	NIPPLE, GREASE	5	
25	663-45119-00-00	CAP, GREASE NIPPLE	5	AP
26	68V-82149-30-00	WIRE, LEAD 3	1	UR X (25.3")
26	66K-82149-00-00	WIRE, LEAD 3	1	UR L (20.3")
27	66T-43144-00-00	HOOK, SPRING	1	
28	97095-06010-00	BOLT	1	
29	6G5-43181-02-00	LEVER, TILT STOP 1	1	
30	6G5-43185-02-00	LEVER, TILT STOP 2	1	
31	90386-10M16-00	BUSH	4	
32	6G5-43148-00-00	COLLAR, DISTANCE	2	
33	90249-06M19-00	PIN	1	
34	90387-10M05-00	COLLAR	1	
35	91690-30020-00	PIN, SPRING	2	
36	90506-14M24-00	SPRING, TENSION	1	
37	64E-43126-00-00	PIN, UPPER SHOCK MOUNT	1	
38	90386-22M98-00	BUSH	4	
39	93410-22M11-00	CIRCLIP	1	
40	90101-12M77-00	BOLT (L:150MM)	2	UR
40	90101-12M05-00	BOLT (L:130MM)	4	UR
41	90201-13M01-00	WASHER, PLATE	8	
42	90201-12M05-00	WASHER, PLATE	4	
43	95380-12600-00	NUT	8	

## Part Notes

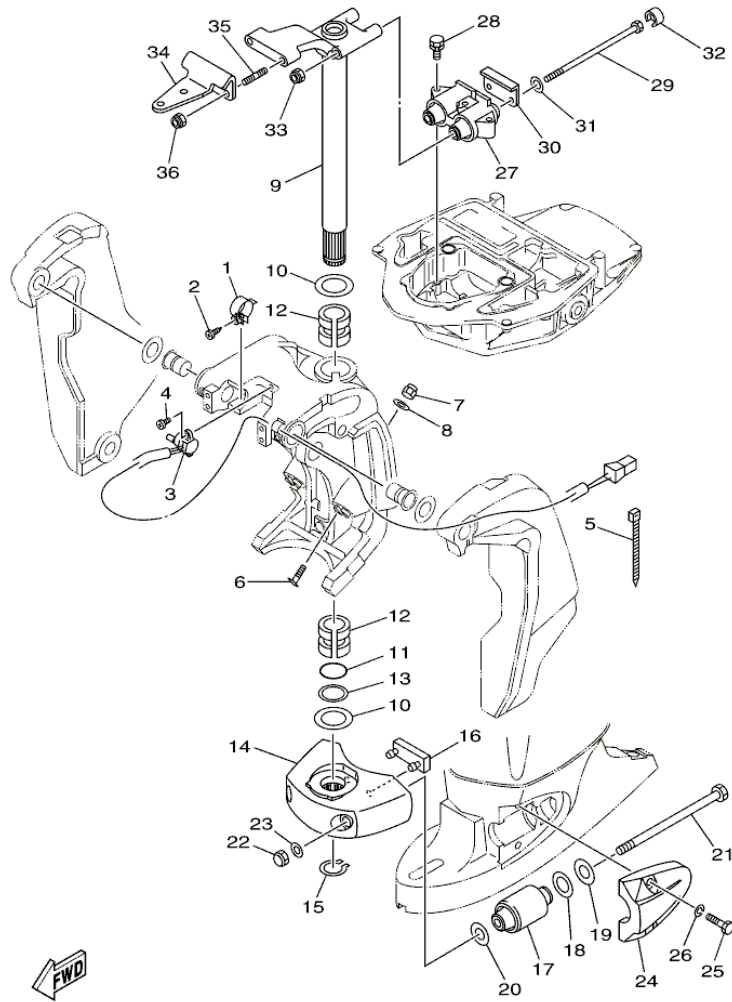
F115TXR 0405 / BRACKET 1

PART NUMBER	NOTE TEXT
6G5-45251-02-00 	OEM: This part number is among the Top 100 Most Popular Marine Maintenance Parts as of August 2013.
92995-06100-00	OEM: This part number is among the Top 100 Most Popular Marine Maintenance Parts as of August 2013.

		
92990-06600-00		OEM: This part number is among the Top 100 Most Popular Marine Maintenance Parts as of August 2013.
93700-06M03-00		OEM: This part number is among the Top 100 Most Popular Marine Maintenance Parts as of August 2013.
93700-06M03-00		OEM: This part number is among the Top 100 Most Popular Marine Maintenance Parts as of August 2013.

©2013 Yamaha Motor Corporation, U.S.A. All rights reserved.

F115TXR 0405 / BRACKET 2



68V4110-D230

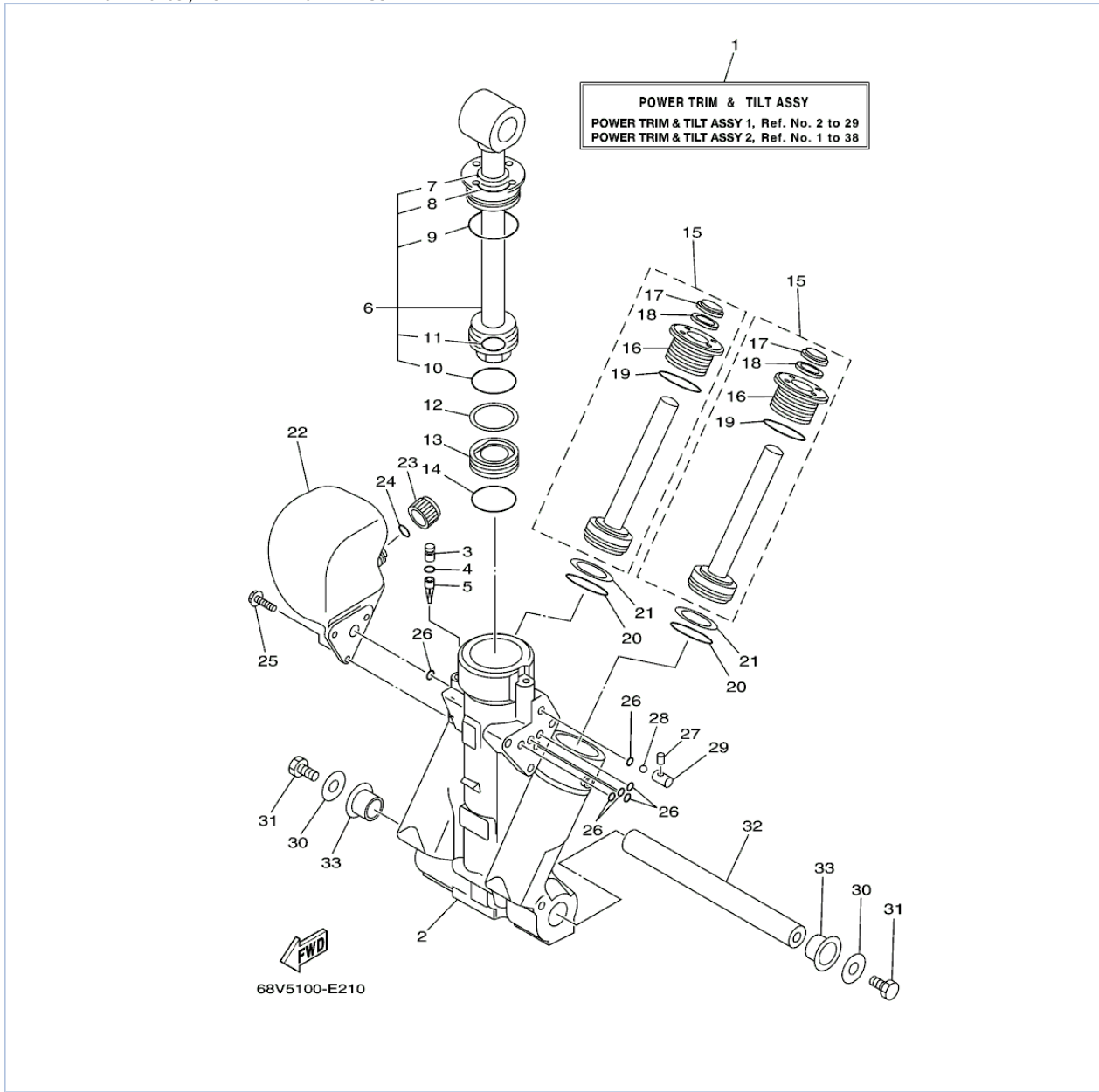
©2013 Yamaha Motor Corporation, U.S.A. All rights reserved.

## Part List

F115TXR 0405 / BRACKET 2

REF - NO	PART NUMBER	PART NAME	QUANTITY	REMARKS
1	64E-43139-02-00	CAM, TRIM SENDER	1	
2	97780-60525-00	SCREW, TAPPING	1	
3	67H-83672-00-00	TRIM SENDER	1	
4	97885-06016-00	SCREW, PAN HEAD	2	
5	90465-11M10-00	CLAMP	3	
6	63P-43376-00-00	BOLT, THRUST RECEIVER	2	
7	95780-10300-00	NUT, FLANGE	2	
8	92995-10600-00	WASHER	2	
9	68V-42510-30-8D	STEERING BRACKET ASSY	1	UR X (25.3")
9	68V-42510-10-8D	STEERING BRACKET ASSY	1	UR L (20.3")
10	90201-38M60-00	WASHER, PLATE	2	
11	93210-37MH7-00	O-RING	1	
12	90386-38M32-00	BUSH	2	
13	90202-40M47-00	WASHER, PLATE	1	
14	68V-44551-00-8D	HOUSING, LOWER MOUNT RUBBER 1	1	
15	93410-37M04-00	CIRCLIP	1	
16	61A-44575-00-00	DAMPER, LOWER MOUNT RUBBER	1	
17	61A-44555-01-94	MOUNT DAMPER, LOWER SIDE	2	
18	90202-32M19-00	WASHER, PLATE	2	
19	90201-16M55-00	WASHER, PLATE	2	
20	90201-15M58-00	WASHER, PLATE	2	
21	90109-14007-00	BOLT	2	
22	95380-14600-00	NUT	2	
23	92995-14600-00	WASHER	2	
24	68V-44553-00-8D	COVER, LOWER MOUNT	2	
25	97075-10040-00	BOLT	4	
26	92995-10100-00	WASHER	4	
27	67F-44514-00-94	MOUNT DAMPER, UPPER SIDE	1	
28	97575-08445-00	BOLT, WITH WASHER	3	
29	90109-12007-00	BOLT	2	
30	67F-44526-00-00	PLATE	1	
31	90201-12M09-00	WASHER, PLATE	2	
32	67F-44533-00-00	DAMPER, UPPER MOUNT RUBBER	2	
33	90185-12M12-00	NUT, SELF-LOCKING	2	
34	68V-48511-00-8D	HOOK, STEERING	1	
35	90116-10175-00	BOLT, STUD	2	
36	90185-10051-00	NUT, SELF-LOCKING	2	

F115TXR 0405 / POWER TRIM & TILT ASSY 1



©2013 Yamaha Motor Corporation, U.S.A. All rights reserved.





## Part List

F115TXR 0405 / POWER TRIM &amp; TILT ASSY 1

REF - NO	PART NUMBER	PART NAME	QUANTITY	REMARKS
1	68V-43800-01-4D	POWER TRIM & TILT ASSY	1	
2	64E-43825-01-00	HOUSING, TRIM & TILT	1	
3	64E-4388J-00-00	PLUG 2	1	
4	93210-10M74-00	O-RING	1	
5	64E-43817-00-00	FILTER 2	1	
6	64E-43810-00-00	TILT PISTON SUB ASSY	1	
7	64E-43898-00-00	.SEAL, DUST 2	1	
8	64E-43867-00-00	.O-RING	1	
9	64E-43866-00-00	.O-RING	1	
10	6E5-43862-00-00	.O-RING	1	
11	64E-43883-00-00	.O-RING	1	
12	6E5-43872-00-00	RING, BACK UP	1	
13	6E5-43814-02-00	PISTON, FREE	1	
14	6E5-43862-00-00	O-RING	1	
15	64E-43820-00-00	PISTON SUB ASSEMBLY	2	
16	64E-43821-00-00	.SCREW, TRIM CYLINDER END	1	
17	64E-43822-00-00	.SEAL, TRIM DUST	1	
18	64E-4384J-00-00	.SEAL, TRIM DOWN	1	
19	6G5-43864-00-00	.O-RING	1	
20	6E5-43864-00-00	O-RING	2	
21	6E5-43874-01-00	RING, BACK UP	2	
22	64E-43828-00-00	BODY, RESERVOIR	1	
23	64E-43829-00-00	PLUG, RESERVOIR	1	
24	64E-43897-00-00	O-RING	1	
25	64E-4388E-00-00	BOLT ,SCREW (L:14MM)	3	
26	64E-43869-00-00	O-RING	6	
27	64E-4381G-00-00	PIN	1	
28	6E5-43858-00-00	BALL	1	
29	64E-4382G-00-00	VALVE, SEAT	1	
30	90201-08M14-00	WASHER, PLATE	2	
31	97080-08016-00	BOLT	2	
32	64E-43818-01-00	PIN, LOWER SHOCK MOUNT	1	
33	90386-22M98-00	BUSH	2	

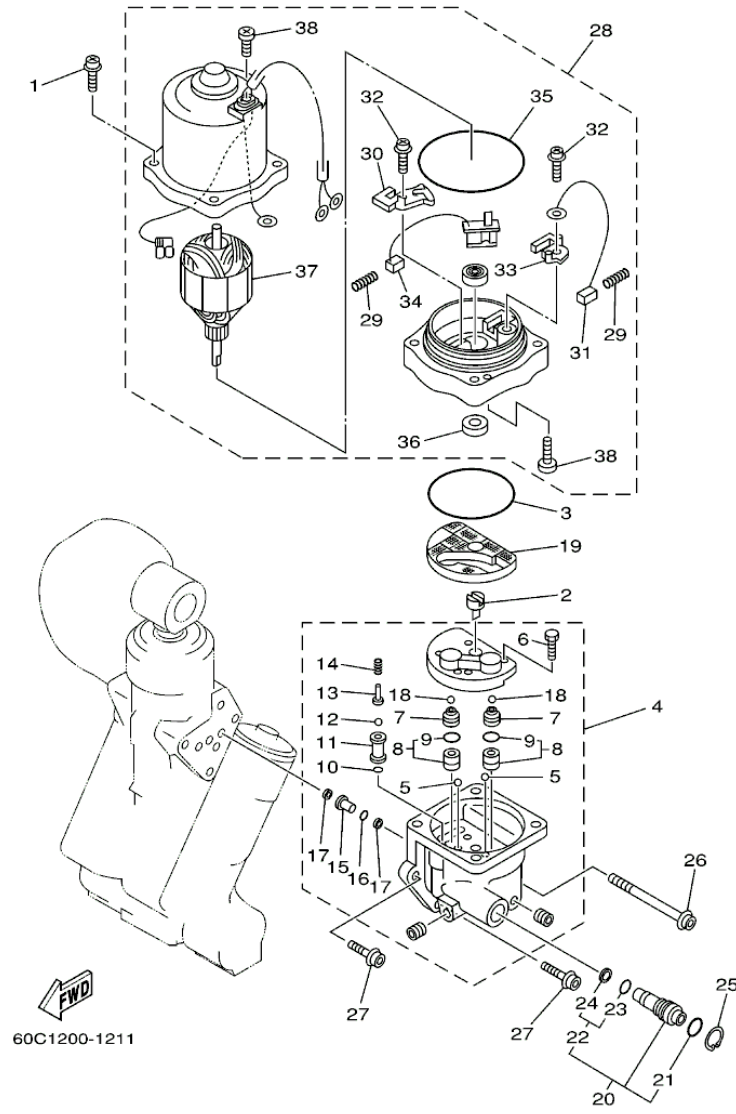
## Part Notes

F115TXR 0405 / POWER TRIM &amp; TILT ASSY 1

PART NUMBER		NOTE TEXT
64E-43822-00-00		OEM: This part number is among the Top 100 Most Popular Marine Maintenance Parts as of August 2013.
64E-4384J-00-00		OEM: This part number is among the Top 100 Most Popular Marine Maintenance Parts as of August 2013.
6G5-43864-00-00		OEM: This part number is among the Top 100 Most Popular Marine Maintenance Parts as of August 2013.
64E-43869-00-00		OEM: This part number is among the Top 100 Most Popular Marine Maintenance Parts as of August 2013.

©2013 Yamaha Motor Corporation, U.S.A. All rights reserved.

F115TXR 0405 / POWER TRIM & TILT ASSY 2



©2013 Yamaha Motor Corporation, U.S.A. All rights reserved.

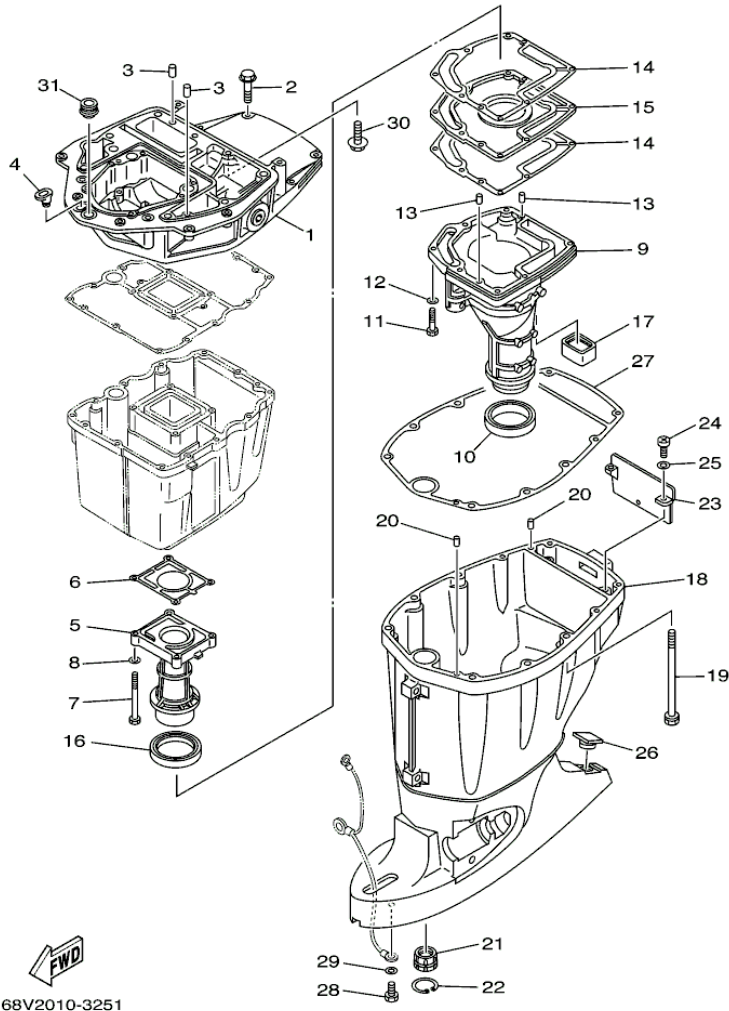


## Part List

F115TXR 0405 / POWER TRIM &amp; TILT ASSY 2

REF - NO	PART NUMBER	PART NAME	QUANTITY	REMARKS
1	64E-4388E-10-00	BOLT ,SCREW (L:14MM)	4	
2	64E-43831-00-00	CONNECTOR, SHAFT	1	
3	64E-43868-00-00	O-RING	1	
4	68V-43830-00-00	GEAR PUMP ASSY	1	
5	72X-43858-00-00	.BALL	2	
6	64E-43843-00-00	.SCREW, VALVE LOCK	4	
7	64E-43841-00-00	.PISTON, SHUTTLE	2	
8	64E-43802-00-00	.VALVE SUB ASSY	2	
9	6E5-43896-00-00	..O-RING	1	
10	6G5-43863-00-00	.O-RING	1	
11	66Y-43851-00-00	.SEAT, RELIEF VALVE	1	
12	64E-43858-00-00	.BALL	1	
13	64E-43859-00-00	.PIN, VALVE SUPPORT	1	
14	68V-43855-00-00	.SPRING, UP RELIEF	1	
15	64E-43850-00-00	.VALVE SUB ASSY	1	
16	64E-43865-00-00	.O-RING	1	
17	64E-43816-00-00	.FILTER 1	2	
18	64E-43858-00-00	.BALL	2	
19	64E-43817-10-00	FILTER 2	1	
20	64E-43860-00-00	MANUAL VALVE SUB-ASSY	1	
21	72X-85075-L0-00	.O-RING	1	
22	64E-43827-00-00	.RING SET	1	
23	64E-4387A-00-00	..O-RING	1	
24	64E-43873-00-00	..RING, BACK UP	1	
25	64E-43875-00-00	RING, SNAP	1	
26	64E-43879-10-00	SCREW, WITH WASHER	1	
27	64E-43879-00-00	SCREW, WITH WASHER	2	
28	68V-43880-01-00	MOTOR ASSY	1	
29	6H1-4386K-10-00	.SPRING, BRUSH	2	
30	64E-4380J-00-00	.HOLDER, BRUSH	1	
31	64E-43891-00-00	.BRUSH 1	1	
32	97607-04310-00	.SCREW,WITH WASHER	2	
33	64E-4380F-00-00	.HOLDER, BRUSH 2	1	
34	64E-43892-00-00	.BREAKER COMP (BRUSH 2)	1	
35	6G5-43865-00-00	.O-RING	1	
36	93102-08M43-00	.OIL SEAL	1	
37	64E-43805-00-00	.ARMATURE ASSY	1	
38	64E-43843-10-00	.SCREW, VALVE LOCK	3	

F115TXR 0405 / UPPER CASING



©2013 Yamaha Motor Corporation, U.S.A. All rights reserved.


## Part List

F115TXR 0405 / UPPER CASING

REF - NO	PART NUMBER	PART NAME	QUANTITY	REMARKS
1	67F-41137-02-94	GUIDE, EXHAUST	1	
2	97575-08540-00	BOLT, WITH WASHER	4	
3	93608-16M16-00	PIN, DOWEL	2	
4	6G1-42727-00-00	GROMMET	1	
5	67F-41131-01-5B	MANIFOLD, EXT. 1	1	
6	67F-41133-A1-00	.GASKET, EXHAUST MANIFOLD 1	1	
7	97075-06070-00	BOLT	4	
8	92995-06600-00	WASHER	4	
9	68V-14711-30-5B	MUFFLER 1	1	UR X (25.3")
9	68V-14711-10-5B	MUFFLER 1	1	
10	68V-45123-00-00	.GASKET, MUFFLER	1	
11	97075-06030-00	BOLT	7	
12	92995-06600-00	WASHER	7	
13	93606-19M23-00	PIN, DOWEL	2	
14	67F-41134-A0-00	.GASKET, EXHAUST MANIFOLD	2	
15	67F-45181-00-5B	PLATE	1	
16	67F-41138-00-00	.SEAL, EXT. 1	1	
17	67F-45127-00-00	.SEAL	1	
18	68V-45111-31-8D	CASING, UPPER	1	UR X (25.3")
18	68V-45111-11-8D	CASING, UPPER	1	
19	90119-10M08-00	BOLT, WITH WASHER	6	
20	93608-16M16-00	PIN, DOWEL	2	
21	6E5-45318-00-00	BUSHING, DRIVE SHAFT	1	
22	93420-36M01-00	CIRCLIP	1	
23	67F-45151-00-00	COVER, UPPER CASING	1	
24	97880-06016-00	SCREW, PAN HEAD	2	
25	92990-06600-00	WASHER, PLATE	2	
26	6H3-45155-00-00	CAP	1	
27	67F-45113-00-00	.GASKET, UPPER CASING	1	
28	97095-06010-00	BOLT	1	
29	92995-06600-00	WASHER	1	
30	90119-08M58-00	BOLT, WITH WASHER	2	
31	67F-42724-00-00	GROMMET	1	

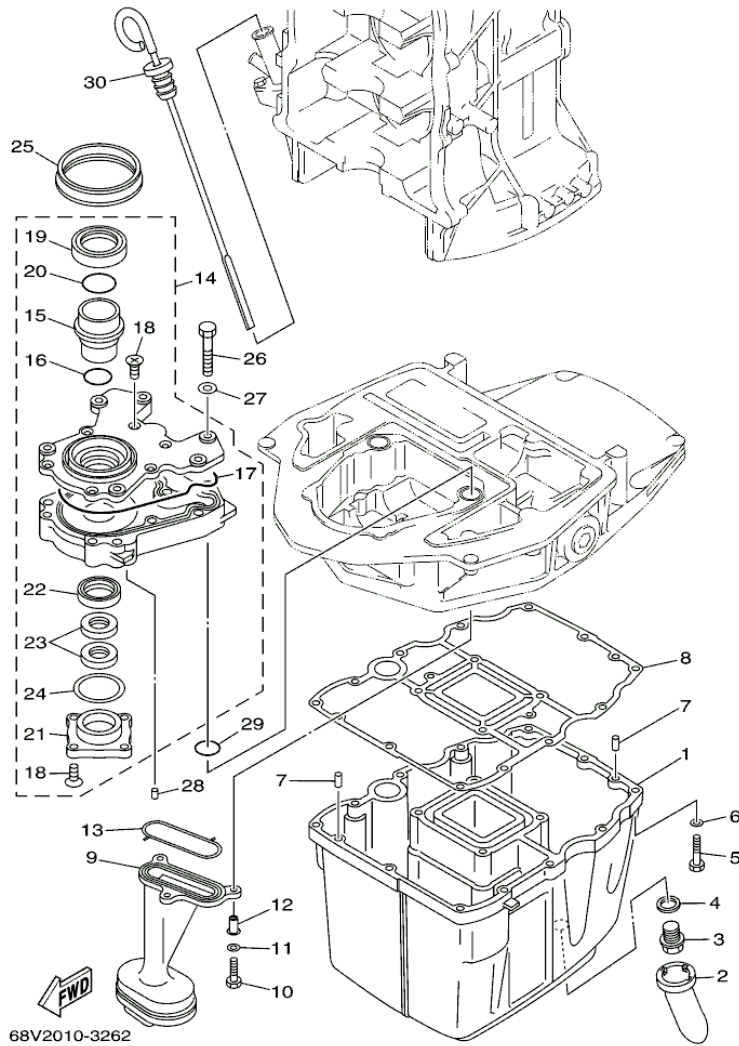
## Part Notes

F115TXR 0405 / UPPER CASING

PART NUMBER	NOTE TEXT
92990-06600-00 	OEM: This part number is among the Top 100 Most Popular Marine Maintenance Parts as of August 2013.

©2013 Yamaha Motor Corporation, U.S.A. All rights reserved.

F115TXR 0405 / OIL PAN



©2013 Yamaha Motor Corporation, U.S.A. All rights reserved.


## Part List

F115TXR 0405 / OIL PAN

REF - NO	PART NUMBER	PART NAME	QUANTITY	REMARKS
1	68V-15311-00-5B	OIL PAN	1	
2	63P-15316-00-00	DAMPER 1	1	
3	90340-14M06-00	PLUG, STRAIGHT SCREW	1	
4	90430-14M09-00	.GASKET	1	
5	97075-06025-00	BOLT	12	
6	92995-06600-00	WASHER	12	
7	93606-12019-00	.PIN, DOWEL	2	
8	68V-15312-00-00	.GASKET, OIL PAN	1	
9	67F-13411-00-00	STRAINER, OIL	1	
10	97027-06025-00	BOLT, HEXAGON	3	
11	92907-06600-00	WASHER, PLATE	3	
12	90387-06M64-00	COLLAR	3	
13	67F-13415-00-00	.SEAL, OIL STRAINER	1	
14	67F-13300-10-00	OIL PUMP ASSY	1	
15	67F-13314-02-00	.SHAFT, PUMP	1	
16	67F-13473-01-00	.O-RING	1	
17	67F-13329-00-00	.GASKET, PUMP COVER	1	
18	67F-13495-00-00	.SCREW	10	
19	67F-13119-01-00	.OIL SEAL	1	
20	67F-13769-00-00	.O-RING	1	
21	67F-13914-00-00	.HOUSING, PUMP	1	
22	67F-13631-03-00	.OIL SEAL	1	
23	67F-13149-00-00	.OIL SEAL	2	
24	67F-13339-00-00	.GASKET, PUMP COVER	1	
25	67F-13338-00-00	SEAL	1	
26	97095-06045-00	.BOLT	6	
27	92995-06600-00	WASHER	6	
28	93604-12M07-00	PIN, DOWEL	2	
29	93210-19M11-00	.O-RING	2	
30	6D8-15362-00-00	PLUG, OIL LEVEL	1	

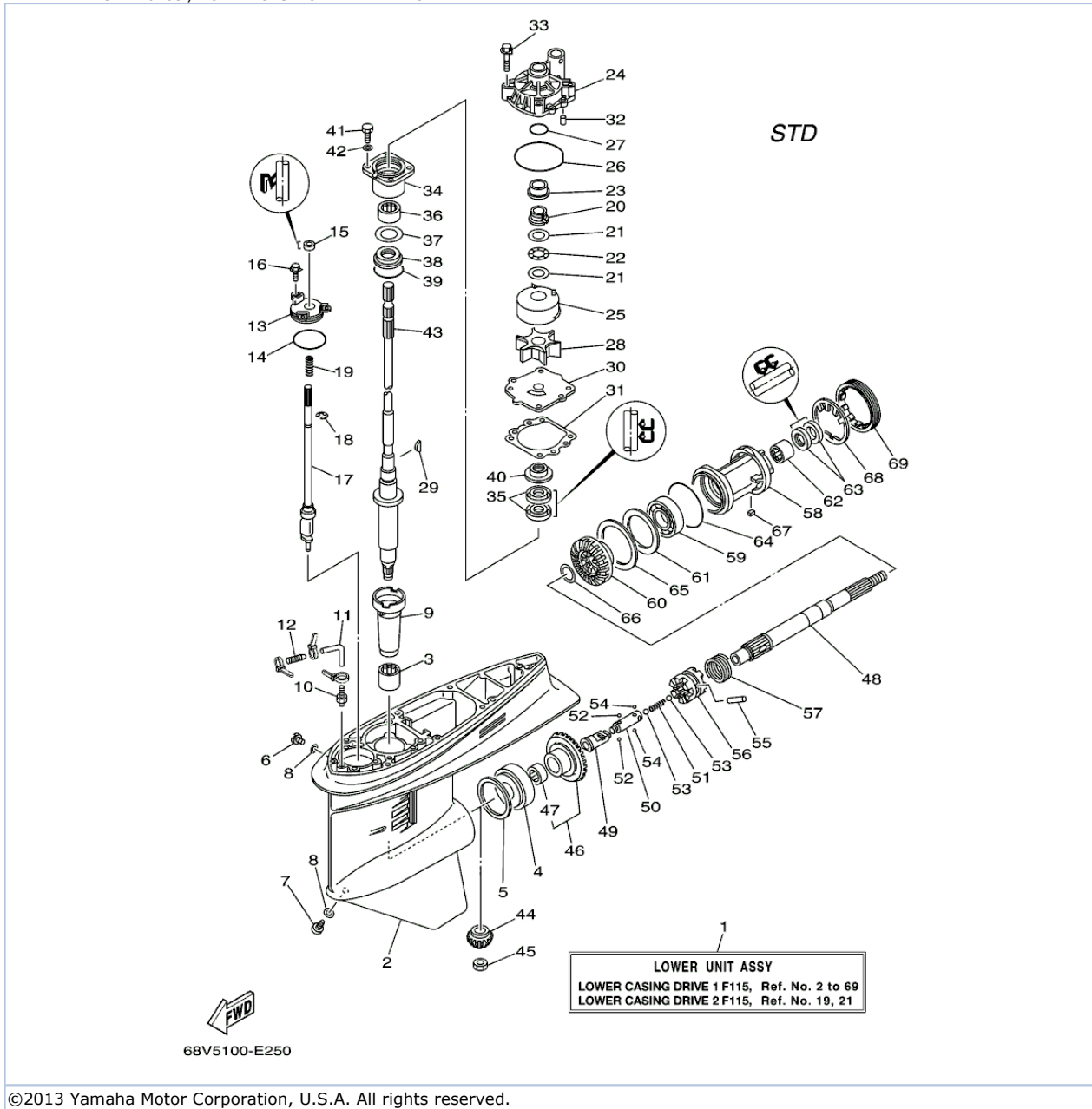
## Part Notes

F115TXR 0405 / OIL PAN

PART NUMBER	NOTE TEXT
90430-14M09-00 	OEM: This part number is among the Top 100 Most Popular Marine Maintenance Parts as of August 2013.

©2013 Yamaha Motor Corporation, U.S.A. All rights reserved.

F115TXR 0405 / LOWER CASING DRIVE 1 F115



## Part List











F115TXR 0405 / LOWER CASING DRIVE 1 F115

REF - NO	PART NUMBER	PART NAME	QUANTITY	REMARKS
1	68V-45300-32-8D	LOWER UNIT ASSY	1	UR X (25.3"), RH
1	68V-45300-12-8D	LOWER UNIT ASSY	1	UR L (20.3"), RH
2	6E5-45301-05-8D	CASING, LOWER	1	
3	93315-628U9-00	BEARING	1	
4	93332-000U7-00	BEARING	1	
5	6E5-45567-01-00	SHIM (T:0.10MM)	1	UR
5	6E5-45567-10-00	SHIM (T:0.12MM)	1	UR
5	6E5-45567-20-00	SHIM (T:0.15MM)	1	UR
5	6E5-45567-60-00	SHIM (T:0.50MM)	1	UR
5	6E5-45567-40-00	SHIM (T:0.30MM)	1	UR
5	6E5-45567-50-00	SHIM (T:0.40MM)	1	UR
5	6E5-45567-30-00	SHIM (T:0.18MM)	1	UR
6	90340-08002-00	PLUG, STRAIGHT SCREW	1	
7	688-45341-10-00	PLUG, DRAIN	1	
8	90430-08020-00	.GASKET	2	
9	6E5-45536-00-00	SLEEVE, DRIVE SHAFT	1	
10	6E5-45378-00-00	NIPPLE, HOSE	1	
11	90445-07ME8-00	HOSE (L80)	1	UR L (20.3")
11	90445-07ME9-00	HOSE (L120)	1	UR X (25.3")
12	6E5-83558-10-00	END, NIPPLE	1	
13	6E5-45321-00-00	PLATE	1	
14	93210-58144-00	.O-RING	1	
15	93106-09014-00	.OIL SEAL	1	
16	90119-06M10-00	BOLT, WITH WASHER	3	
17	6L6-44150-01-00	SHIFT CAM ASSY	1	
18	99001-08600-00	CIRCLIP	1	
19	90501-11M10-00	SPRING, COMPRESSION	1	
20	61A-45538-00-00	SPACER 1	1	
21	90201-22M01-00	WASHER, PLATE	2	
22	90206-22M19-00	WASHER, WAVE	1	
23	61A-45527-00-00	COLLAR, DRIVE SHAFT	1	
24	61A-44311-01-00	HOUSING, WATER PUMP	1	
25	61A-44322-02-00	.INSERT, CARTRIDGE	1	
26	93210-86M38-00	.O-RING	1	
27	93210-37160-00	.O-RING	1	
28	6E5-44352-01-00	.IMPELLER	1	
29	90280-04M05-00	.KEY, WOODRUFF	1	
30	68V-44323-00-00	.OUTER PLATE, CARTRIDGE	1	
31	6E5-44315-A0-00	.GASKET, WATER PUMP	1	
32	93606-12019-00	.PIN, DOWEL	2	
33	90119-08M14-00	.BOLT, WITH WASHER	4	
34	6E5-45331-00-94	HOUSING, BEARING	1	
35	93101-28M16-00	.OIL SEAL	2	
36	93317-330U2-00	BEARING	1	
37	6E5-45587-01-00	SHIM (T:0.10MM)	1	UR
37	6E5-45587-10-00	SHIM (T:0.12MM)	1	UR
37	6E5-45587-20-00	SHIM (T:0.15MM)	1	UR
37	6E5-45587-60-00	SHIM (T:0.50MM)	1	UR
37	6E5-45587-40-00	SHIM (T:0.30MM)	1	UR
37	6E5-45587-50-00	SHIM (T:0.40MM)	1	UR
37	6E5-45587-30-00	SHIM (T:0.18MM)	1	UR
38	93341-930V2-00	BEARING	1	
39	93210-55M14-00	.O-RING	1	

40	6E5-45344-00-00	COVER, OIL SEAL	1	
41	97095-08025-00	BOLT	4	
42	92995-08600-00	WASHER	4	
43	68V-45501-30-00	DRIVE SHAFT COMP.	1	UR X (25.3")
43	68V-45501-10-00	DRIVE SHAFT COMP.	1	UR L (20.3")
44	68V-45551-00-00	PINION (13T)	1	
45	90170-16M01-00	NUT	1	
46	68V-45560-00-00	GEAR 1 (28T)	1	
47	93315-425U7-00	.BEARING	1	
48	6E5-45611-01-00	SHAFT, PROPELLER	1	
49	6K1-45641-01-00	SHIFTER	1	
50	6E5-45634-01-00	SLIDE, SHIFT	1	
51	90501-16M37-00	SPRING, COMPRESSION	1	
52	93507-32009-00	.BALL	2	
53	93511-32017-00	BALL	2	
54	93503-16003-00	BALL	2	
55	90250-08M07-00	PIN, STRAIGHT	1	
56	68V-45631-01-00	CLUTCH, DOG	1	
57	6E5-45633-01-00	RING, CROSS PIN	1	
58	6E5-45332-00-94	HOUSING, BEARING	1	
59	93306-208U0-00	BEARING	1	
60	68V-45571-00-00	GEAR 2 (28T)	1	
61	6E5-45576-00-00	WASHER, THRUST 2	1	
62	93315-430U8-00	BEARING	1	
63	93101-30M17-00	.OIL SEAL	2	
64	93210-86M39-00	.O-RING	1	
65	6L6-45577-00-00	SHIM (T:0.10MM)	1	UR
65	6L6-45577-10-00	SHIM (T:0.12MM)	1	UR
65	6L6-45577-20-00	SHIM (T:0.15MM)	1	UR
65	6L6-45577-60-00	SHIM (T:0.50MM)	1	UR
65	6L6-45577-40-00	SHIM (T:0.30MM)	1	UR
65	6L6-45577-50-00	SHIM (T:0.40MM)	1	UR
65	6L6-45577-30-00	SHIM (T:0.18MM)	1	UR
66	90201-30M92-00	WASHER, PLATE	2	
67	90282-04010-00	KEY, STRAIGHT	1	
68	688-45383-02-00	WASHER, CLAW	1	
69	688-45384-00-00	NUT	1	

Part Notes

F115TXR 0405 / LOWER CASING DRIVE 1 F115

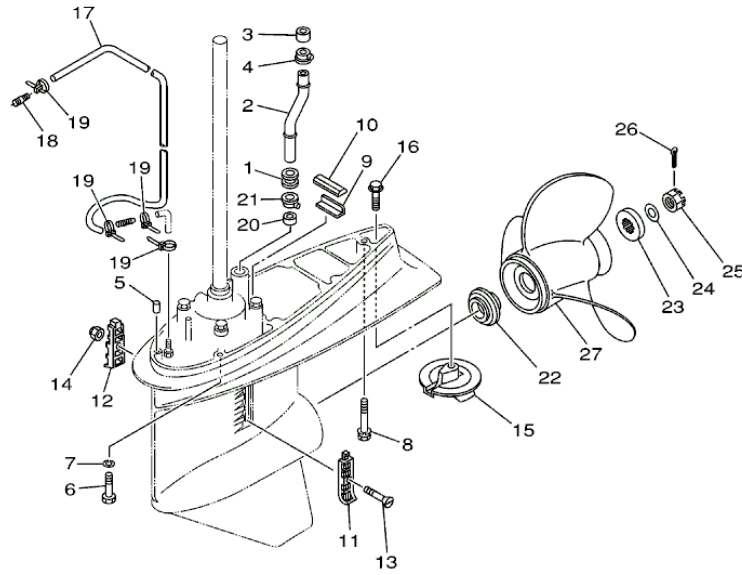
PART NUMBER		NOTE TEXT
90430-08020-00		OEM: This part number is among the Top 100 Most Popular Marine Maintenance Parts as of August 2013.
93106-09014-00		OEM: This part number is among the Top 100 Most Popular Marine Maintenance Parts as of August 2013.
61A-45538-00-00		OEM: This part number is among the Top 100 Most Popular Marine Maintenance Parts as of August 2013.
90201-22M01-00		OEM: This part number is among the Top 100 Most Popular Marine Maintenance Parts as of August 2013.
61A-45527-00-00		OEM: This part number is among the Top 100 Most Popular Marine Maintenance Parts as of August 2013.
61A-44311-01-00		OEM: This part number is among the Top 100 Most Popular Marine Maintenance Parts as of August 2013.
93210-86M38-00		OEM: This part number is among the Top 100 Most Popular Marine Maintenance Parts as of August 2013.
6E5-44352-01-00		OEM: This part number is among the Top 100 Most Popular Marine Maintenance Parts as of August 2013.
93101-28M16-00		OEM: This part number is among the Top 100 Most Popular Marine Maintenance Parts as of August 2013.
93101-30M17-00		OEM: This part number is among the Top 100 Most Popular Marine Maintenance Parts as of August 2013.



©2013 Yamaha Motor Corporation, U.S.A. All rights reserved.

F115TXR 0405 / LOWER CASING DRIVE 2 F115

STD




## Part List

F115TXR 0405 / LOWER CASING DRIVE 2 F115

REF - NO	PART NUMBER	PART NAME	QUANTITY	REMARKS
1	6E5-44366-00-00	DAMPER, WATER SEAL 2	1	
2	68V-44361-11-00	TUBE, WATER 1	1	UR L (20.3")
2	68V-44361-30-00	TUBE, WATER 1	1	UR X (25.3")
3	6E5-44365-00-00	DAMPER, WATER SEAL 1	1	
4	6E5-44312-00-00	COVER, WATER PUMP HOUSING	1	
5	93608-12M05-00	PIN, DOWEL	2	
6	97075-10045-00	BOLT	6	
7	92995-10100-00	WASHER	6	
8	90119-10M89-00	BOLT, WITH WASHER	1	
9	663-45376-00-94	GUIDE, SEAL DAMPER	1	
10	688-45375-00-00	DAMPER, SEAL	1	
11	688-45214-02-00	COVER, WATER INLET 1	1	
12	688-45215-02-00	COVER, WATER INLET 2	1	
13	90152-05M07-00	SCREW, COUNTERSUNK	1	
14	90185-05002-00	NUT, NYLON	1	
15	6E5-45371-01-00	TAB-TRIM	1	
16	90105-10M00-00	BOLT, FLANGE	1	
17	90445-076K2-00	HOSE (L1550)	1	
18	6E5-83558-00-00	END, NIPPLE	1	
19	90465-11M10-00	CLAMP	4	
20	6E5-44365-00-00	DAMPER, WATER SEAL 1	1	
21	6E5-44312-00-00	COVER, WATER PUMP HOUSING	1	
22	63P-45987-00-00	SPACER 1	1	
23	688-45997-01-00	SPACER 2	1	
24	92990-18200-00	WASHER	1	
25	90171-18M04-00	NUT, CASTLE	1	
26	91490-40030-00	PIN. COTTER	1	
27	6E5-45941-00-EL	PROPELLER (3X13"X19"-K)	1	UR
27	62A-45974-10-00	PROPELLER (3X13-1/2"X19"- K)	1	UR
27	6E5-45945-01-EL	PROPELLER (3X13-1/4"X17"- K)	1	UR
27	6E5-45947-00-EL	PROPELLER (3X13-1/2"X15"- K)	1	UR
27	6E5-45949-00-EL	PROPELLER (3X13-5/8"X13"- K)	1	UR
27	688-45970-03-98	PROPELLER (3X13"X19"-K)	1	UR
27	688-45972-02-98	PROPELLER (3X13"X21"-K)	1	UR
27	688-45974-02-98	PROPELLER (3X13"X23"-K)	1	UR
27	688-45978-60-98	PROPELLER (3X13-1/2"X16"- K)	1	UR
27	688-45932-60-98	PROPELLER (3X13-1/2"X14"- K)	1	UR
27	6E5-45952-00-EL	PROPELLER (3X13"X23"-K)	1	UR
27	6E5-45954-00-EL	PROPELLER (3X14"X11"-K)	1	UR
27	688-45976-01-98	PROPELLER (3X13"X25"-K)	1	UR
27	6E5-45956-00-EL	PROPELLER (3X13"X25"-K)	1	UR
27	688-45930-02-98	PROPELLER (3X13"X17"-K)	1	UR
27	62A-45970-10-00	PROPELLER (3X13-1/2"X21"- K)	1	UR
27	62A-45972-10-00	PROPELLER (3X13-1/2"X23"- K)	1	UR
27	6E5-45943-00-EL	PROPELLER (3X12-5/8"X21"- K)	1	UR

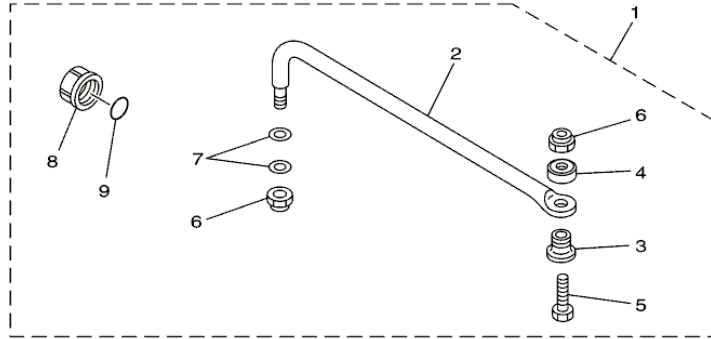
## Part Notes

F115TXR 0405 / LOWER CASING DRIVE 2 F115

PART NUMBER		NOTE TEXT
6E5-45371-01-00		OEM: This part number is among the Top 100 Most Popular Marine Maintenance Parts as of August 2013.
90105-10M00-00		OEM: This part number is among the Top 100 Most Popular Marine Maintenance Parts as of August 2013.
91490-40030-00		OEM: This part number is among the Top 100 Most Popular Marine Maintenance Parts as of August 2013.

©2013 Yamaha Motor Corporation, U.S.A. All rights reserved.

F115TXR 0405 / STEERING GUIDE



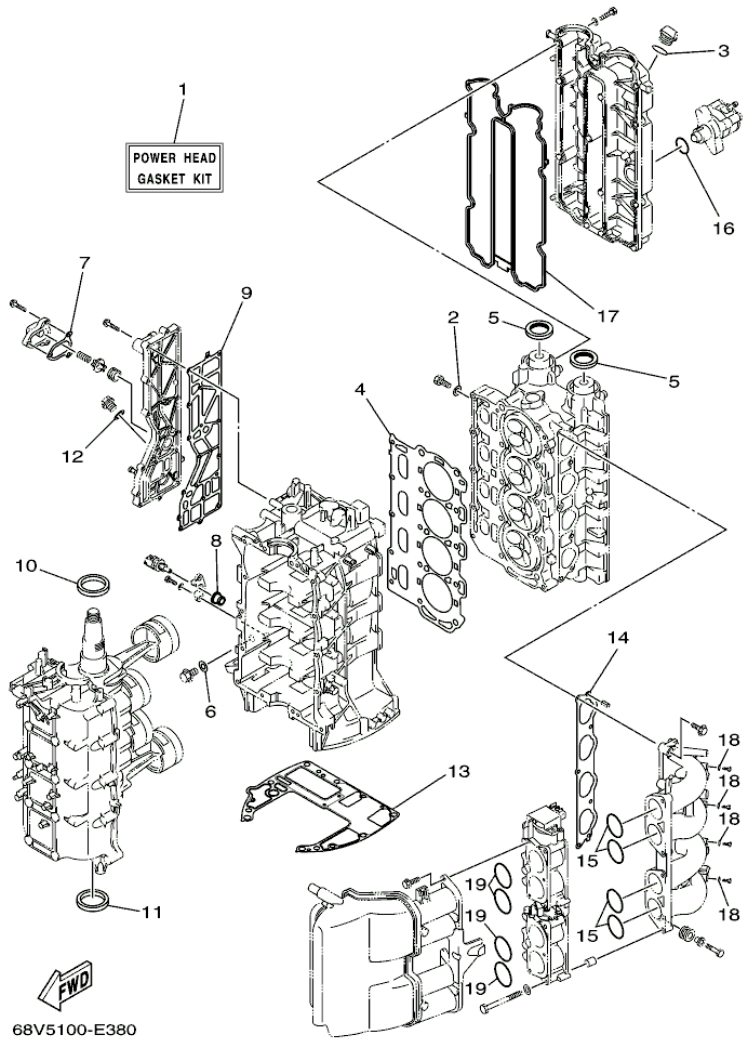
60V2100-C330

## Part List

F115TXR 0405 / STEERING GUIDE

REF - NO	PART NUMBER	PART NAME	QUANTITY	REMARKS
1	6E5-61350-02-00	STEERING GUIDE ATTACHMENT KIT	1	AP F115
2	6E5-61351-01-00	.ROD, STEERING LINK	1	
3	90387-10M61-00	.COLLAR	1	
4	90560-12M01-00	.SPACER	1	
5	6E5-61355-00-00	.BOLT	1	
6	90185-09M01-00	.NUT, SELF-LOCKING	2	
7	90201-10M20-00	.WASHER, PLATE	2	
8	6E5-43145-01-00	.CAP, CLAMP BRACKET	1	
9	93210-16275-00	.O-RING	1	

F115TXR 0405 / REPAIR KIT 1



©2013 Yamaha Motor Corporation, U.S.A. All rights reserved.

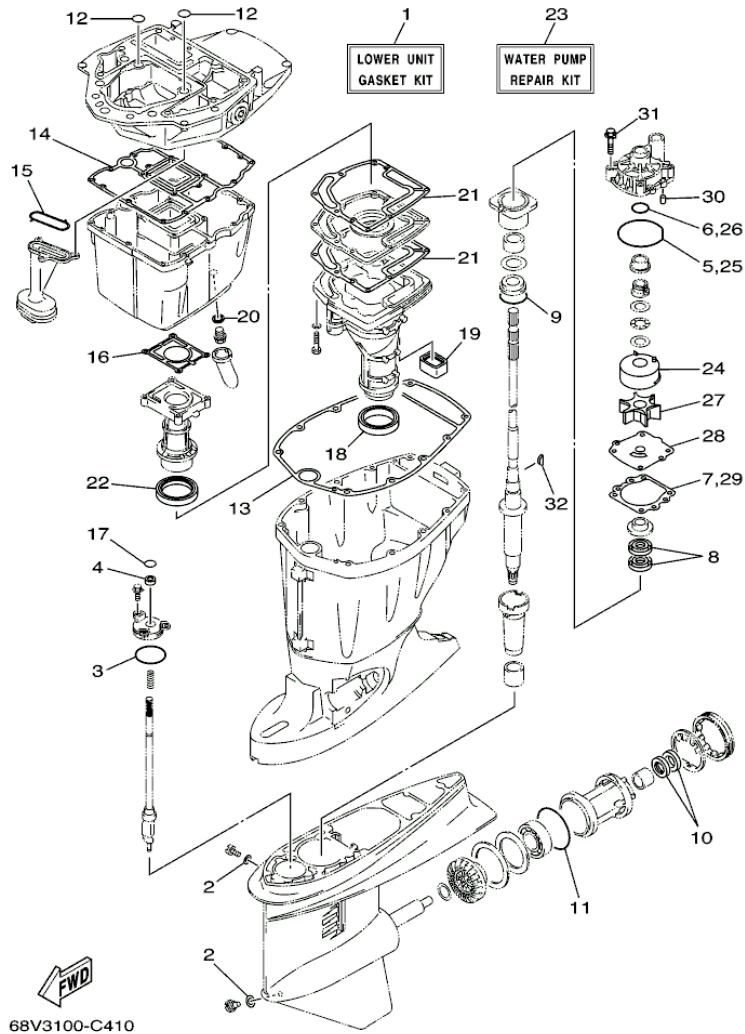
## Part List

F115TXR 0405 / REPAIR KIT 1

REF - NO	PART NUMBER	PART NAME	QUANTITY	REMARKS
1	68V-W0001-04-00	POWER HEAD GASKET KIT	1	
2	90430-08143-00	.GASKET	4	
3	93210-24M79-00	.O-RING	1	
4	67F-11181-02-00	.GASKET, CYLINDER HEAD 1	1	
5	93102-38M59-00	.OIL SEAL	2	
6	90430-14115-00	.GASKET	1	
7	67F-12435-A0-00	.GASKET	1	
8	68V-85753-00-00	.GASKET, SENDER UNIT	1	
9	6D8-41114-A0-00	.GASKET, EXHAUST OUTER COVER	1	
10	93102-48009-00	.OIL SEAL	1	
11	93101-48002-00	.OIL SEAL	1	
12	90430-18130-00	.GASKET	1	
13	68V-11351-00-00	.GASKET, CYLINDER	1	
14	68V-13645-00-00	.GASKET, MANIFOLD 1	1	
15	93210-48MG8-00	.O-RING	4	
16	93210-30682-00	.O-RING	1	
17	6D8-11356-00-00	.SEAL, CYLINDER 2	1	
18	90430-06014-00	.GASKET	4	
19	93210-48MJ9-00	.O-RING	4	



F115TXR 0405 / REPAIR KIT 2



©2013 Yamaha Motor Corporation, U.S.A. All rights reserved.










Part List

F115TXR 0405 / REPAIR KIT 2

REF - NO	PART NUMBER	PART NAME	QUANTITY	REMARKS
1	68V-W0001-21-00	LOWER UNIT GASKET KIT	1	
2	90430-08020-00	.GASKET	2	
3	93210-58144-00	.O-RING	1	
4	93106-09014-00	.OIL SEAL	1	
5	93210-86M38-00	.O-RING	1	
6	93210-37160-00	.O-RING	1	
7	6E5-44315-A0-00	.GASKET, WATER PUMP	1	
8	93101-28M16-00	.OIL SEAL	2	
9	93210-55M14-00	.O-RING	1	
10	93101-30M17-00	.OIL SEAL	2	
11	93210-86M39-00	.O-RING	1	
12	93210-19MJ1-00	.O-RING	2	
13	67F-45113-00-00	.GASKET, UPPER CASING	1	
14	68V-15312-00-00	.GASKET, OIL PAN	1	
15	67F-13415-00-00	.SEAL, OIL STRAINER	1	
16	67F-41133-A1-00	.GASKET, EXHAUST MANIFOLD 1	1	
17	93210-09165-00	.O-RING	1	
18	68V-45123-00-00	.GASKET, MUFFLER	1	
19	67F-45127-00-00	.SEAL	1	
20	90430-14M09-00	.GASKET	1	
21	67F-41134-A0-00	.GASKET, EXHAUST MANIFOLD	2	
22	67F-41138-00-00	.SEAL, EXT 1	1	
23	68V-W0078-00-00	WATER PUMP REPAIR KIT	1	
24	61A-44322-02-00	.INSERT, CARTRIDGE	1	
25	93210-86M38-00	.O-RING	1	
26	93210-37160-00	.O-RING	1	
27	6E5-44352-01-00	.IMPELLER	1	
28	68V-44323-00-00	.OUTER PLATE, CARTRIDGE	1	
29	6E5-44315-A0-00	.GASKET, WATER PUMP	1	
30	93606-12019-00	.PIN, DOWEL	2	
31	90119-08M14-00	.BOLT, WITH WASHER	4	
32	90280-04M05-00	.KEY, WOODRUFF	1	

Part Notes

F115TXR 0405 / REPAIR KIT 2

PART NUMBER	NOTE TEXT
90430-08020-00 	OEM: This part number is among the Top 100 Most Popular Marine Maintenance Parts as of August 2013.
93106-09014-00 	OEM: This part number is among the Top 100 Most Popular Marine Maintenance Parts as of August 2013.
93210-86M38-00 	OEM: This part number is among the Top 100 Most Popular Marine Maintenance Parts as of August 2013.
93101-28M16-00 	OEM: This part number is among the Top 100 Most Popular Marine Maintenance Parts as of August 2013.
93101-30M17-00 	OEM: This part number is among the Top 100 Most Popular Marine Maintenance Parts as of August 2013.
90430-14M09-00 	OEM: This part number is among the Top 100 Most Popular Marine Maintenance Parts as of August 2013.
68V-W0078-00-00 	OEM: This part number is among the Top 100 Most Popular Marine Maintenance Parts as of August 2013.
93210-86M38-00 	OEM: This part number is among the Top 100 Most Popular Marine Maintenance Parts as of August 2013.
6E5-44352-01-00 	OEM: This part number is among the Top 100 Most Popular Marine Maintenance Parts as of August 2013.

©2013 Yamaha Motor Corporation, U.S.A. All rights reserved.

*F115TXR 0405 / MODELS IN THIS CATALOG*

F115TLR 68V-1047408~1066826  
(68V5)

F115TXR 68V-1047408~1066826  
(68V5)

F115TJR 68V-1047408~1066826  
(68V5)

LF115TXR 68W-1002054~1002954  
(68W5)

**ALL THESE MODELS USE THIS SAME PARTS CATALOG.  
BE SURE TO ORDER ONLY THOSE PARTS APPLICABLE  
TO THE DESIRED MODEL.**

©2013 Yamaha Motor Corporation, U.S.A. All rights reserved.