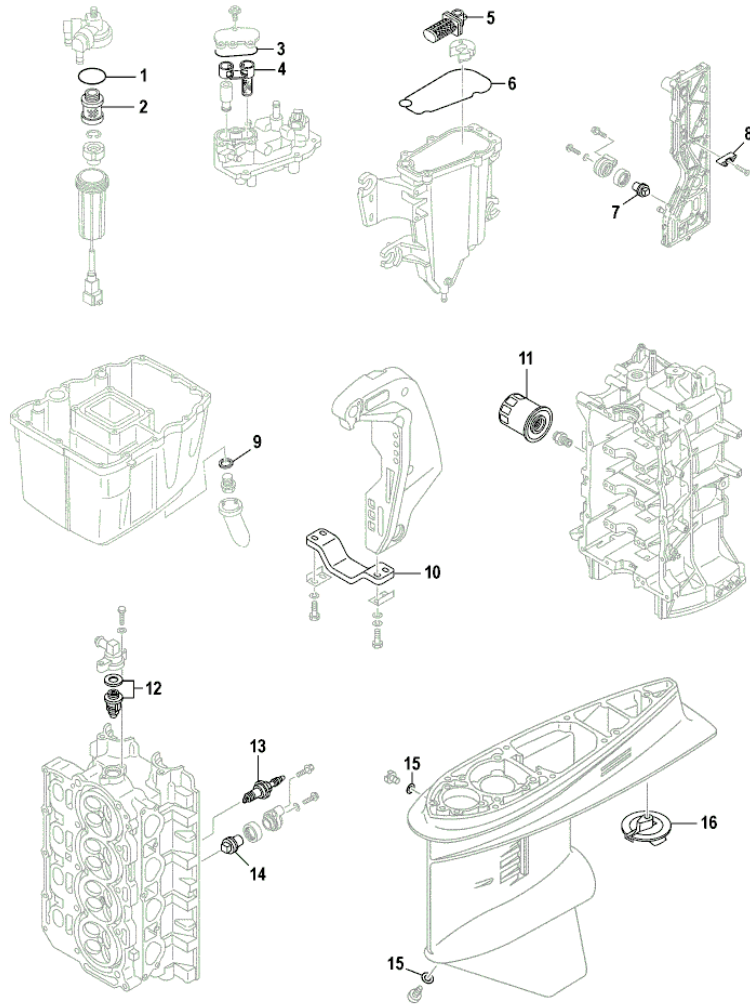


F115JA_0611 / SCHEDULED SERVICE PARTS



©2013 Yamaha Motor Corporation, U.S.A. All rights reserved.








Part List

F115JA_0611 / SCHEDULED SERVICE PARTS

REF - NO	PART NUMBER	PART NAME	QUANTITY	REMARKS
1	6D8-24564-00-00	.GASKET	1	FUEL 1 (REF # 5)
2	6D8-24563-00-00	.ELEMENT, FILTER	1	FUEL 1 (REF # 4)
3	6CB-13016-00-00	.O-RING	1	FUEL INJECTION PUMP 1 (REF # 5)
4	6CB-24501-01-00	.FILTER, FUEL	1	FUEL INJECTION PUMP 1 (REF # 3)
5	63P-13915-00-00	FILTER	1	FUEL INJECTION PUMP 1 (REF # 20)
6	6CB-14984-00-00	GASKET, FLOAT CHAMBER	1	FUEL INJECTION PUMP 1 (REF # 26)
7	67F-11325-01-00	.ANODE	1	CYLINDER CRANKCASE 1 (REF # 36)
8	6E5-11325-00-00	ANODE	3	CYLINDER CRANKCASE 1 (REF # 14)
9	90430-14M09-00	.GASKET	1	OIL PAN (REF # 4)
10	6G5-45251-02-00	ANODE	1	BRACKET 1 (REF # 2)
11	5GH-13440-00-00	ELEMENT ASSY, OIL CLEANER	1	CYLINDER CRANKCASE 1 (REF # 45)
12	60V-12411-00-00	THERMOSTAT	1	CYLINDER CRANKCASE 2 (REF # 28)
13	LFR-6A110-00-00	PLUG, SPARK (NGK LFR6A-11)	4	CYLINDER CRANKCASE 2 (REF # 36)
14	67F-11325-01-00	.ANODE	1	CYLINDER CRANKCASE 2 (REF # 9)

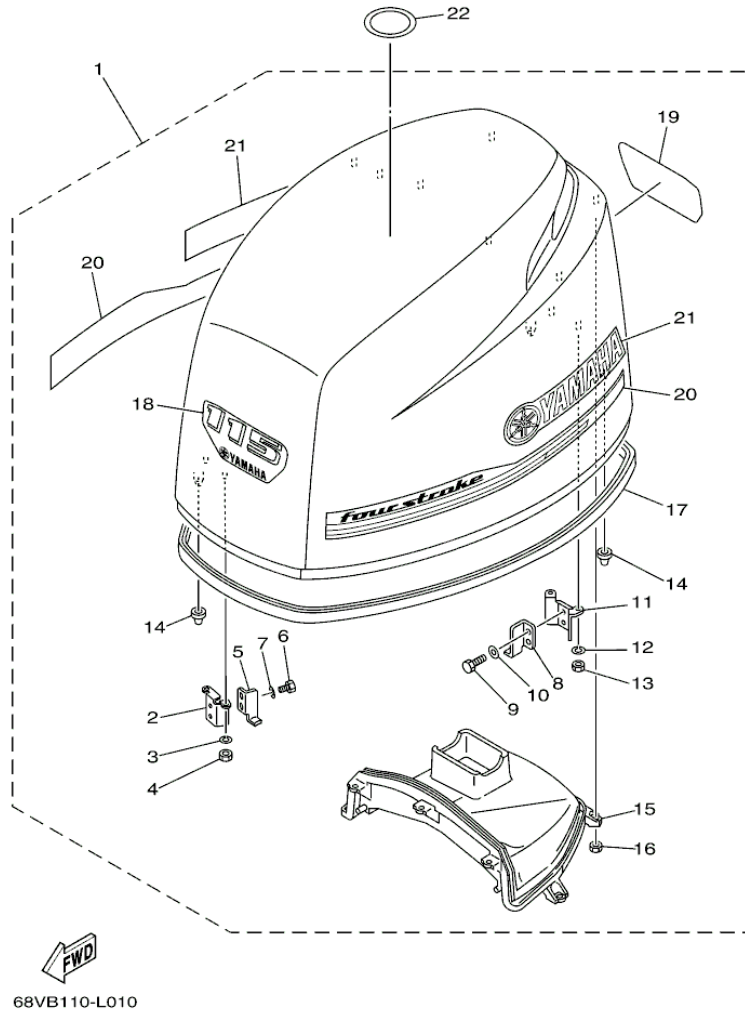
Part Notes

F115JA_0611 / SCHEDULED SERVICE PARTS

PART NUMBER		NOTE TEXT
63P-13915-00-00		OEM: This part number is among the Top 100 Most Popular Marine Maintenance Parts as of August 2013.
67F-11325-01-00		OEM: This part number is among the Top 100 Most Popular Marine Maintenance Parts as of August 2013.
90430-14M09-00		OEM: This part number is among the Top 100 Most Popular Marine Maintenance Parts as of August 2013.
6G5-45251-02-00		OEM: This part number is among the Top 100 Most Popular Marine Maintenance Parts as of August 2013.
60V-12411-00-00		OEM: This part number is among the Top 100 Most Popular Marine Maintenance Parts as of August 2013.
LFR-6A110-00-00		OEM: This part number is among the Top 100 Most Popular Marine Maintenance Parts as of August 2013.
67F-11325-01-00		OEM: This part number is among the Top 100 Most Popular Marine Maintenance Parts as of August 2013.

©2013 Yamaha Motor Corporation, U.S.A. All rights reserved.

F115JA_0611 / TOP COWLING



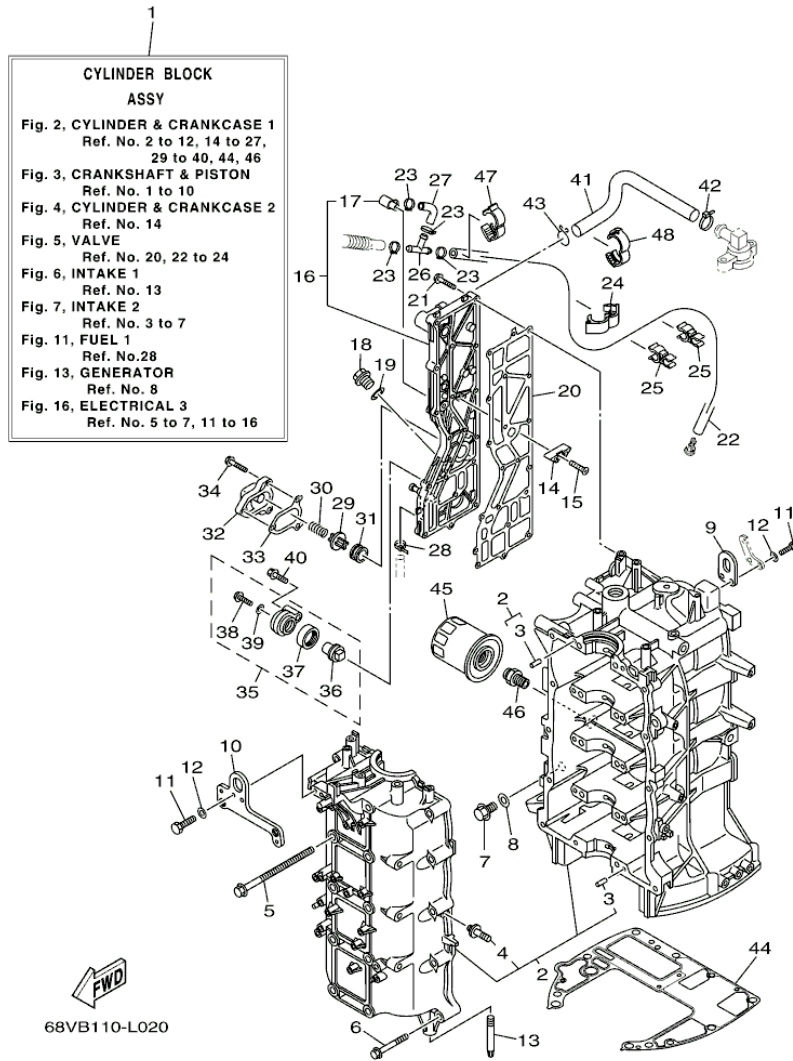
©2013 Yamaha Motor Corporation, U.S.A. All rights reserved.

Part List

F115JA_0611 / TOP COWLING

REF - NO	PART NUMBER	PART NAME	QUANTITY	REMARKS
1	68V-42610-C0-00	TOP COWLING ASSY	1	FOR JET-DRIVE
2	68V-42647-10-00	.HOLDER, CLAMP BAND	1	
3	92990-06100-00	.WASHER, SPRING	2	
4	95380-06600-00	.NUT, HEXAGON	2	
5	68V-42652-00-00	.HOOK	1	
6	97095-06012-00	.BOLT	2	
7	92995-06600-00	.WASHER	2	
8	68V-42652-00-00	.HOOK	1	
9	97095-06012-00	.BOLT	2	
10	92995-06600-00	.WASHER	2	
11	67F-42649-00-00	.HOLDER, CLAMP BAND	1	
12	92990-06100-00	.WASHER, SPRING	2	
13	95380-06600-00	.NUT, HEXAGON	2	
14	67F-42662-00-00	.DAMPER	3	
15	68V-42613-10-00	.MOLDING, AIR DUCT	1	
16	95380-06600-00	.NUT, HEXAGON	7	
17	68V-42615-00-00	.SEAL	1	
18	6D7-42677-10-00	.GRAPHIC, FRONT	1	FOR JET-DRIVE
19	68V-42678-50-00	.GRAPHIC, REAR	1	FOR JET-DRIVE
20	6D6-W0070-00-00	.GRAPHIC SET	1	
21	6D6-42681-00-00	.MARK, COWLING	2	
22	67F-13434-20-00	LABEL, CAUTION	1	

F115JA_0611 / CYLINDER CRANKCASE 1



©2013 Yamaha Motor Corporation, U.S.A. All rights reserved.

Part List




F115JA_0611 / CYLINDER CRANKCASE 1

REF - NO	PART NUMBER	PART NAME	QUANTITY	REMARKS
1	68V-W009B-11-9S	CYLINDER BLOCK ASSY	1	
2	68V-15100-10-00	CRANKCASE ASSY	1	
3	93606-12019-00	.PIN, DOWEL	10	
4	68V-44581-01-00	.BOLT	1	
5	90119-10M88-00	BOLT, WITH WASHER	10	
6	90119-08M66-00	BOLT, WITH WASHER	10	
7	90340-14M06-00	PLUG, STRAIGHT SCREW	1	
8	90430-14115-00	.GASKET	1	
9	62Y-11119-00-00	HANGER, ENGINE	1	
10	68V-11119-00-00	HANGER, ENGINE	1	
11	97095-06020-00	BOLT	4	
12	92995-06600-00	WASHER	4	
13	67F-15142-00-00	GUIDE 1	2	
14	6E5-11325-00-00	ANODE	3	
15	98780-04016-00	SCREW, FLAT HEAD	3	
16	6D8-41113-40-9S	OUTER COVER, EXHAUST	1	
17	676-11372-00-00	.NIPPLE, HOSE	1	
18	90340-18M09-00	PLUG, STRAIGHT SCREW	1	
19	90430-18130-00	.GASKET	1	
20	67F-41114-A2-00	.GASKET, EXHAUST OUTER COVER	1	
21	90119-06MA4-00	BOLT, WITH WASHER	18	
22	68V-42541-10-00	PIPE 1	1	
23	90465-11M10-00	CLAMP	4	
24	90464-18004-00	CLAMP	1	
25	90464-10010-00	CLAMP	2	
26	688-24378-00-00	PIPE, JOINT 3	1	
27	61A-24316-00-00	PIPE 6	1	
28	90465-11M10-00	CLAMP	1	
29	6G5-12416-00-00	VALVE, PRESSURE CONTROL	1	
30	90501-16M11-00	SPRING, COMPRESSION	1	
31	90480-20M05-00	GROMMET	1	
32	67F-1246A-01-9S	COVER 1	1	
33	67F-12435-A0-00	.GASKET	1	
34	90119-06MA2-00	BOLT, WITH WASHER	3	
35	69J-11301-00-00	ANODE COVER ASSY	1	
36	67F-11325-01-00	.ANODE	1	
37	67F-11328-00-00	.GROMMET, ANODE	1	
38	90105-06M07-00	.BOLT, FLANGE	1	
39	90430-06M03-00	.GASKET	1	
40	97575-08540-00	BOLT, WITH WASHER	1	
41	67F-1243A-00-00	HOSE 1	1	
42	90465-11M59-00	CLAMP	1	
43	90467-20M15-00	CLIP	1	
44	68V-11351-00-00	.GASKET, CYLINDER	1	
45	5GH-13440-00-00	ELEMENT ASSY, OIL CLEANER	1	
46	90401-20007-00	BOLT, UNION	1	
47	90464-18004-00	CLAMP	1	
48	90464-16001-00	CLAMP	1	

Part Notes

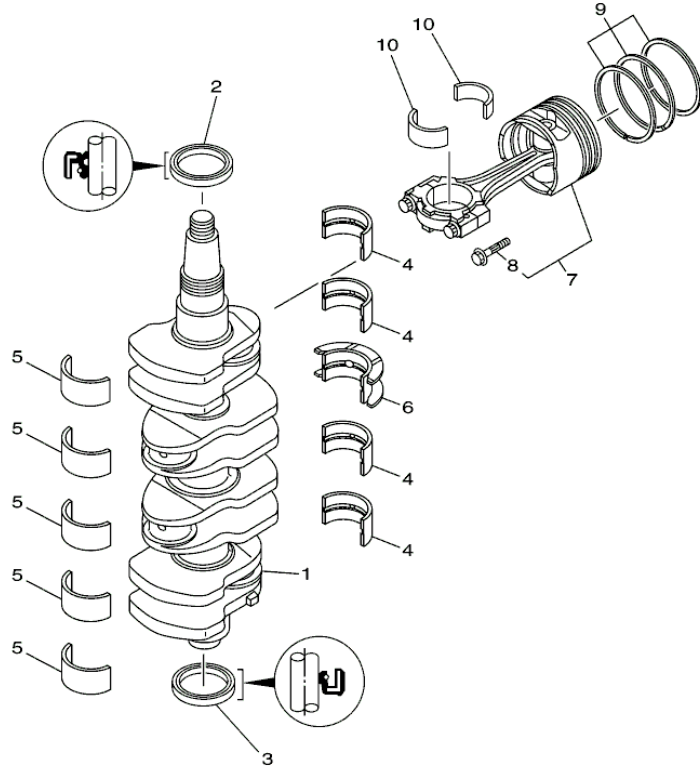
F115JA_0611 / CYLINDER CRANKCASE 1

PART NUMBER	NOTE TEXT
-------------	-----------

90480-20M05-00		OEM: This part number is among the Top 100 Most Popular Marine Maintenance Parts as of August 2013.
67F-11325-01-00		OEM: This part number is among the Top 100 Most Popular Marine Maintenance Parts as of August 2013.
67F-11328-00-00		OEM: This part number is among the Top 100 Most Popular Marine Maintenance Parts as of August 2013.

©2013 Yamaha Motor Corporation, U.S.A. All rights reserved.

F115JA_0611 / CRANKSHAFT PISTON



68VA110-K030

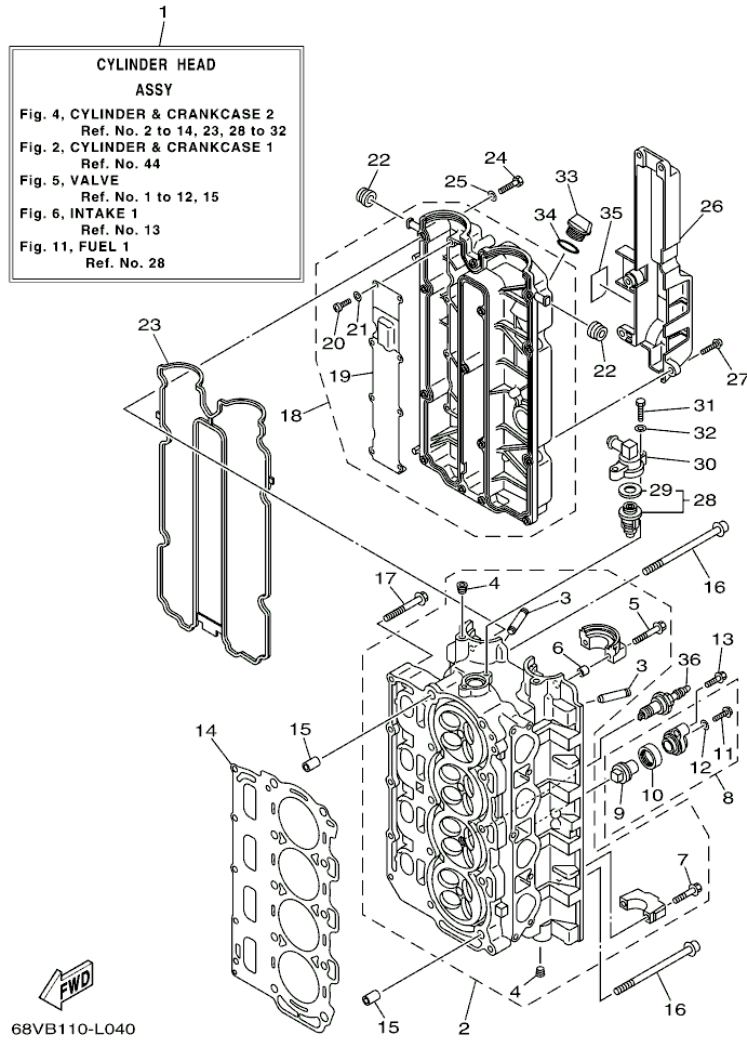
©2013 Yamaha Motor Corporation, U.S.A. All rights reserved.

Part List

F115JA_0611 / CRANKSHAFT PISTON

REF - NO	PART NUMBER	PART NAME	QUANTITY	REMARKS
1	68V-11411-00-00	CRANKSHAFT	1	
2	93102-48017-00	.OIL SEAL	1	
3	93101-48002-00	.OIL SEAL	1	
4	6D8-11416-00-00	PLANE BEARING, CRANKSHAFT 1	4	UR GREEN
4	6D8-11416-20-00	PLANE BEARING, CRANKSHAFT 1	4	UR RED
4	6D8-11416-10-00	PLANE BEARING, CRANKSHAFT 1	4	UR BLUE
5	6D8-11417-00-00	PLANE BEARING, CRANKSHAFT 2	5	UR YELLOW
5	6D8-11417-30-00	PLANE BEARING, CRANKSHAFT 2	5	UR RED
5	6D8-11417-20-00	PLANE BEARING, CRANKSHAFT 2	5	UR BLUE
5	6D8-11417-10-00	PLANE BEARING, CRANKSHAFT 2	5	UR GREEN
6	6D8-11418-00-00	PLANE BEARING, CRANKSHAFT 3	1	UR GREEN
6	6D8-11418-20-00	PLANE BEARING, CRANKSHAFT 3	1	UR RED
6	6D8-11418-10-00	PLANE BEARING, CRANKSHAFT 3	1	UR BLUE
7	68V-W1164-12-00	PISTON/CON-ROD ASSY (0.25MM OS)	4	AP
7	68V-W1164-02-00	PISTON/CON-ROD ASSY STD	4	
8	K1C-A3275-00-00	.BOLT, CONNECTING ROD	2	
9	6D8-11604-01-00	PISTON RING SET (0.25MM O/S)	4	AP
9	6D8-11603-01-00	PISTON RING SET (STD)	4	
10	68V-11656-00-00	PLANE BEARING, CONNECTING ROD	8	UR YELLOW
10	68V-11656-30-00	PLANE BEARING, CONNECTING ROD	8	UR RED
10	68V-11656-20-00	PLANE BEARING, CONNECTING ROD	8	UR BLUE
10	68V-11656-10-00	PLANE BEARING, CONNECTING ROD	8	UR GREEN

F115JA_0611 / CYLINDER CRANKCASE 2



©2013 Yamaha Motor Corporation, U.S.A. All rights reserved.






Part List

F115JA_0611 / CYLINDER CRANKCASE 2

REF - NO	PART NUMBER	PART NAME	QUANTITY	REMARKS
1	68V-W009A-07-9S	CYLINDER HEAD COMPLETE	1	
2	68V-11110-20-9S	CYLINDER HEAD ASSY	1	
3	67F-11133-10-00	.GUIDE, VALVE 1	16	
4	90344-51019-00	.PLUG, TAPER SCREW	4	
5	90119-07235-00	.BOLT/WASHER-CAM CAPS	4	
6	91809-08006-00	.PIN, DOWEL	4	
7	90119-07234-00	.BOLT, WITH WASHER	16	
8	69J-11301-00-00	ANODE COVER ASSY	2	
9	67F-11325-01-00	.ANODE	1	
10	67F-11328-00-00	.GROMMET, ANODE	1	
11	90105-06M07-00	.BOLT, FLANGE	1	
12	90430-06M03-00	.GASKET	1	
13	97575-08540-00	BOLT, WITH WASHER	2	
14	67F-11181-03-00	.GASKET, CYLINDER HEAD 1	1	
15	99530-14016-00	PIN, DOWEL	2	
16	90155-10005-00	SCREW, FLAT FILLISTER	10	
17	90119-08M91-00	BOLT, WITH WASHER	5	
18	6D8-11191-01-9S	COVER, CYLINDER HEAD 1	1	
19	67F-11168-00-00	.COVER, BREATHER	1	
20	98507-04008-00	.SCREW, PAN HEAD	8	
21	92907-04600-00	.WASHER	8	
22	90480-12072-00	GROMMET	2	
23	6D8-11356-01-00	.SEAL, CYLINDER 2	1	
24	97095-06030-00	BOLT	14	
25	92995-06600-00	WASHER	14	
26	67F-11192-01-00	COVER, CYLINDER HEAD 2	1	
27	90159-06M29-00	SCREW, WITH WASHER	5	
28	60V-12411-00-00	THERMOSTAT	1	
29	67F-12412-00-00	.SEAL, THERMOSTAT	1	
30	68V-12413-00-9S	COVER, THERMOSTAT	1	
31	97095-06025-00	BOLT	2	
32	92995-06600-00	WASHER	2	
33	6G8-15363-00-00	PLUG, OIL	1	
34	93210-24M79-00	.O-RING	1	
35	68V-83626-00-00	MARK 6	1	
36	LFR-6A110-00-00	PLUG, SPARK (NGK LFR6A-11)	4	

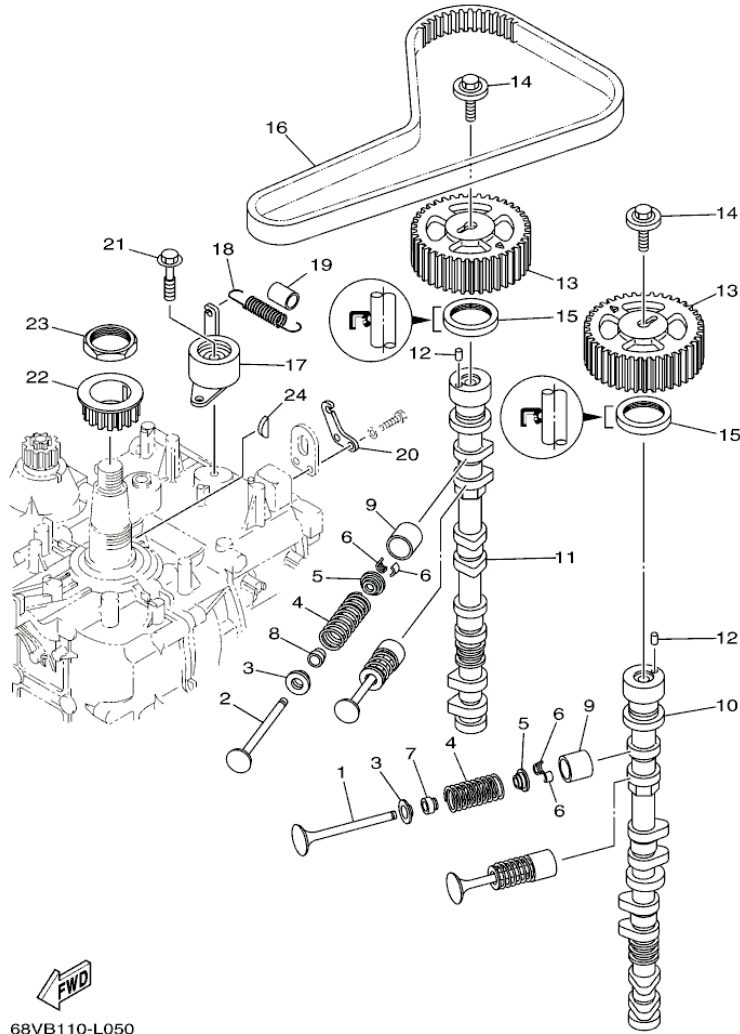
Part Notes

F115JA_0611 / CYLINDER CRANKCASE 2

PART NUMBER		NOTE TEXT
67F-11325-01-00		OEM: This part number is among the Top 100 Most Popular Marine Maintenance Parts as of August 2013.
67F-11328-00-00		OEM: This part number is among the Top 100 Most Popular Marine Maintenance Parts as of August 2013.
90480-12072-00		OEM: GROMMET used on F115TLR and F/LF115TXR 0410 Production and Earlier
60V-12411-00-00		OEM: This part number is among the Top 100 Most Popular Marine Maintenance Parts as of August 2013.
LFR-6A110-00-00		OEM: This part number is among the Top 100 Most Popular Marine Maintenance Parts as of August 2013.

©2013 Yamaha Motor Corporation, U.S.A. All rights reserved.

F115JA_0611 / VALVE



68VB110-L050

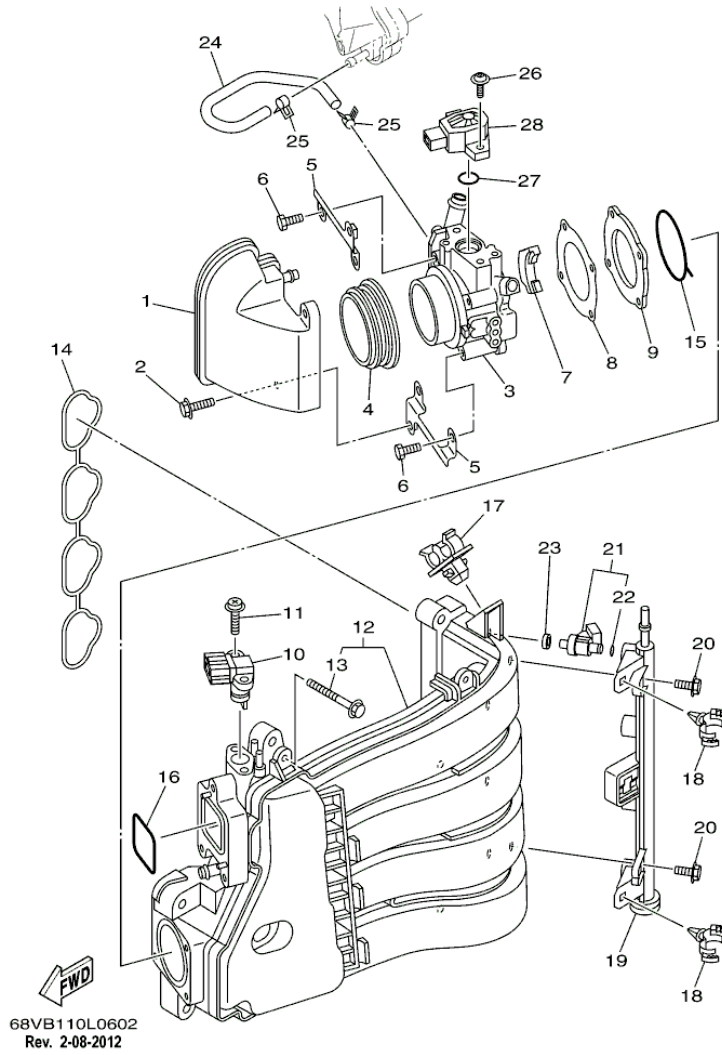
©2013 Yamaha Motor Corporation, U.S.A. All rights reserved.

Part List

F115JA_0611 / VALVE

REF - NO	PART NUMBER	PART NAME	QUANTITY	REMARKS
1	6D8-12111-00-00	VALVE, INTAKE	8	
2	6D8-12121-00-00	VALVE, EXHAUST	8	
3	6D8-12116-00-00	SEAT, VALVE SPRING	16	
4	6D8-12113-00-00	SPRING, VALVE INNER	16	
5	26H-12117-00-00	RETAINER, VALVE SPRING	16	
6	4G0-12118-00-00	LOCK, VALVE SPRING RETAINER	32	
7	K0A-A3721-00-00	SEAL, VALVE STEM	8	
8	K0A-A3722-00-00	SEAL, VALVE STEM 2	8	
9	6D8-12153-00-00	LIFTER, VALVE (12)	16	UR
9	6D8-12153-V0-00	LIFTER, VALVE (68)	16	UR
9	6D8-12153-20-00	LIFTER, VALVE (16)	16	UR
9	6D8-12153-30-00	LIFTER, VALVE (18)	16	UR
9	6D8-12153-40-00	LIFTER, VALVE (20)	16	UR
9	6D8-12153-50-00	LIFTER, VALVE (22)	16	UR
9	6D8-12153-60-00	LIFTER, VALVE (24)	16	UR
9	6D8-12153-70-00	LIFTER, VALVE (26)	16	UR
9	6D8-12153-80-00	LIFTER, VALVE (28)	16	UR
9	6D8-12153-90-00	LIFTER, VALVE (30)	16	UR
9	6D8-12153-A0-00	LIFTER, VALVE (32)	16	UR
9	6D8-12153-B0-00	LIFTER, VALVE (34)	16	UR
9	6D8-12153-C0-00	LIFTER, VALVE (36)	16	UR
9	6D8-12153-D0-00	LIFTER, VALVE (38)	16	UR
9	6D8-12153-E0-00	LIFTER, VALVE (40)	16	UR
9	6D8-12153-F0-00	LIFTER, VALVE (42)	16	UR
9	6D8-12153-G0-00	LIFTER, VALVE (44)	16	UR
9	6D8-12153-H0-00	LIFTER, VALVE (46)	16	UR
9	6D8-12153-J0-00	LIFTER, VALVE (48)	16	UR
9	6D8-12153-K0-00	LIFTER, VALVE (50)	16	UR
9	6D8-12153-L0-00	LIFTER, VALVE (52)	16	UR
9	6D8-12153-M0-00	LIFTER, VALVE (54)	16	UR
9	6D8-12153-N0-00	LIFTER, VALVE (56)	16	UR
9	6D8-12153-P0-00	LIFTER, VALVE (58)	16	UR
9	6D8-12153-R0-00	LIFTER, VALVE (60)	16	UR
9	6D8-12153-S0-00	LIFTER, VALVE (62)	16	UR
9	6D8-12153-T0-00	LIFTER, VALVE (64)	16	UR
9	6D8-12153-U0-00	LIFTER, VALVE (66)	16	UR
9	6D8-12153-10-00	LIFTER, VALVE (14)	16	UR
10	6D9-12171-00-00	CAMSHAFT 1	1	
11	68V-12181-00-00	CAMSHAFT 2	1	
12	93605-10108-00	PIN, DOWEL	2	
13	67F-11537-00-00	GEAR, DRIVEN	2	
14	90119-10050-00	BOLT, WITH WASHER	2	
15	93102-38008-00	.OIL SEAL	2	
16	67F-46241-00-00	BELT	1	
17	67F-11590-00-00	TENSIONER ASSY	1	
18	90506-16M39-00	SPRING, TENSION	1	
19	90445-15M03-00	HOSE (L23)	1	
20	67F-11595-00-00	PLATE,VALVE	1	
21	90119-10M72-00	BOLT, WITH WASHER	1	
22	6D8-11536-00-00	GEAR, DRIVE	1	
23	90170-40008-00	NUT	1	
24	90280-04008-00	KEY, WOODRUFF	1	

F115JA_0611 / INTAKE 1



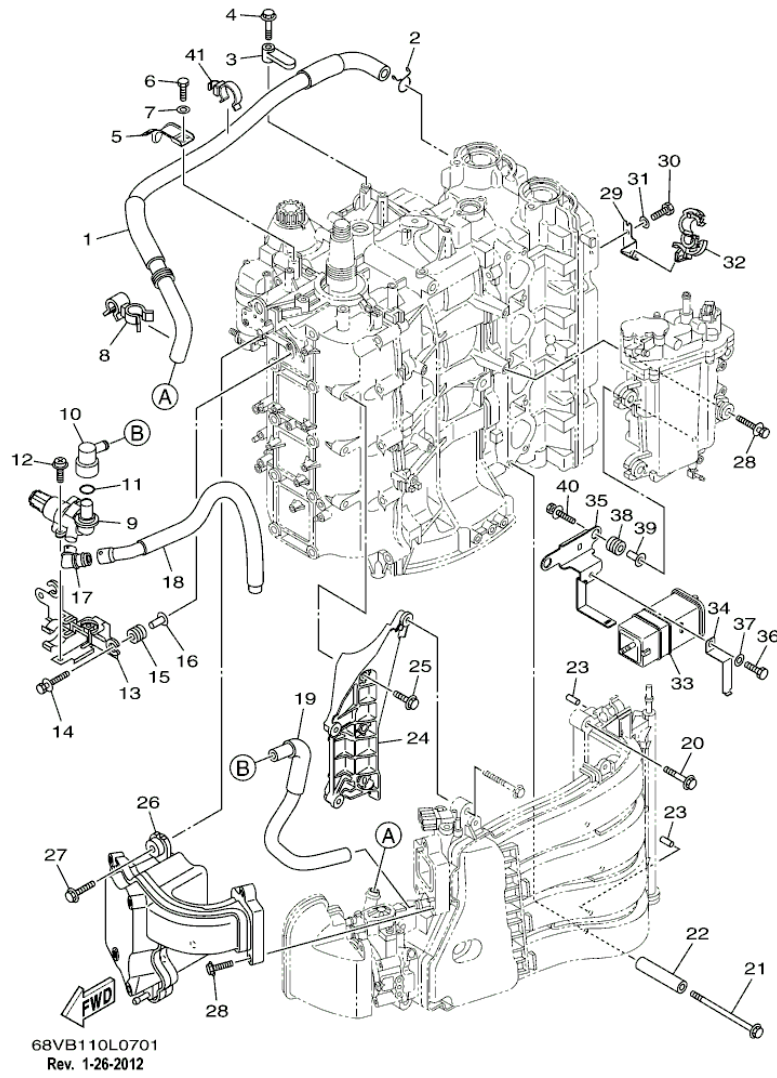
©2013 Yamaha Motor Corporation, U.S.A. All rights reserved.

Part List

F115JA_0611 / INTAKE 1

REF - NO	PART NUMBER	PART NAME	QUANTITY	REMARKS
1	68V-14440-10-00	SILENCER ASSY, INTAKE	1	
2	95875-06020-00	BOLT, FLANGE	2	
3	68V-13751-20-00	BODY, THROTTLE 1	1	
4	68V-14411-10-00	PIPE, SILENCER	1	
5	68V-13898-00-00	HOLDER	2	
6	68V-14496-10-00	BOLT	4	
7	68V-14271-00-00	INSULATOR	1	
8	68V-13556-00-00	GASKET, MANIFOLD	1	
9	68V-13635-00-00	JOINT, INTAKE 1	1	
10	68F-83688-10-00	SENSOR ASSY	1	
11	68V-81147-00-00	SCREW 3	2	
12	68V-W1364-10-00	MANIFOLD, INTAKE 1	1	
13	90119-06266-00	.BOLT, WITH WASHER	3	
14	68V-13645-10-00	.GASKET, MANIFOLD 1	1	
15	68V-13646-00-00	.GASKET, MANIFOLD 2	1	
16	68V-13647-00-00	.GASKET, MANIFOLD 3	1	
17	90464-11012-00	CLAMP	1	
18	90464-20181-00	CLAMP	2	
19	68V-13161-10-00	PIPE, DELIVERY 1	1	
20	6P2-14446-00-00	BOLT	2	
21	68V-13761-10-00	INJECTOR	4	
22	68V-1416A-00-00	..O-RING	1	
23	68V-13766-10-00	RUBBER, INJECTOR	4	
24	68V-13584-00-00	PIPE, INTAKE MANIFOLD	1	
25	68V-13577-10-00	CLIP	2	
26	68V-81145-01-00	SCREW 1	2	
27	68V-8182L-00-00	O-RING 1	1	
28	68V-85885-10-00	THROTTLE SENSOR ASSY	1	

F115JA_0611 / INTAKE 2



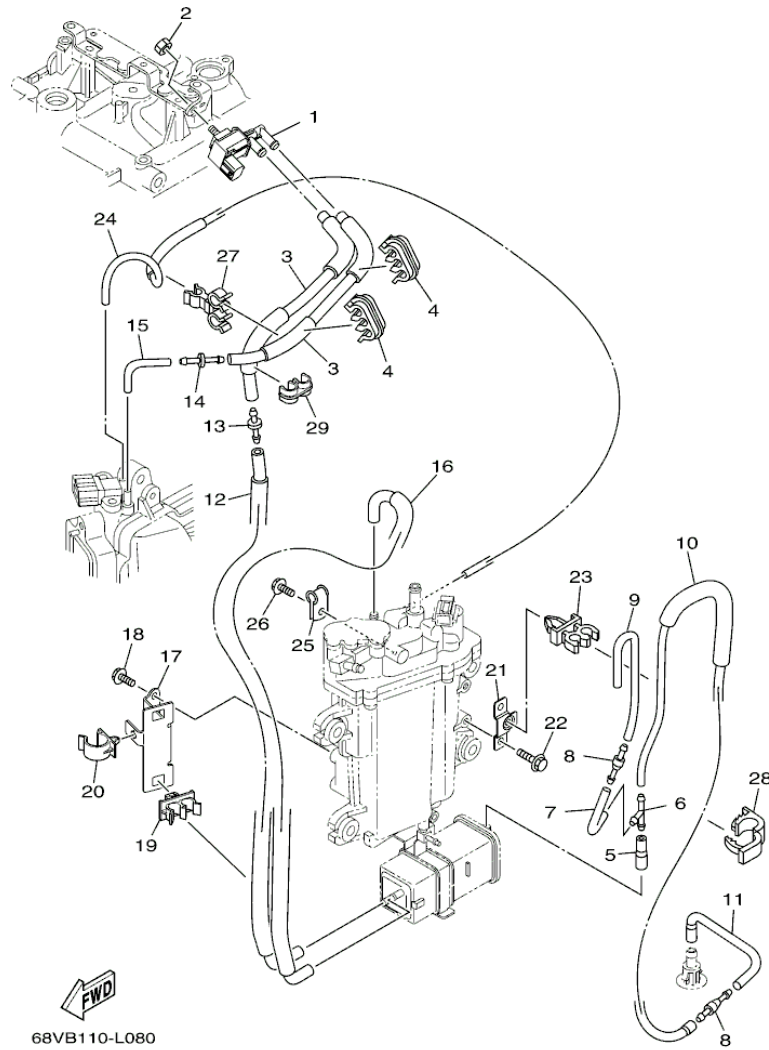
©2013 Yamaha Motor Corporation, U.S.A. All rights reserved.

Part List

F115JA_0611 / INTAKE 2

REF - NO	PART NUMBER	PART NAME	QUANTITY	REMARKS
1	68V-15373-00-00	PIPE, BREATHER	1	
2	90467-20M15-00	CLIP	1	
3	6D8-82544-00-00	CLAMP	1	
4	95875-06025-00	BOLT, FLANGE	1	
5	68V-82389-00-00	PLATE 2	1	
6	97095-06012-00	BOLT	1	
7	92995-06600-00	WASHER	1	
8	90464-20011-00	CLAMP	1	
9	6C5-13713-00-00	VALVE, IDLE SPEED CONTROL	1	
10	6CJ-11372-00-00	NIPPLE, HOSE	1	
11	93210-33003-00	O-RING	1	
12	97980-05214-00	.SCREW, WITH WASHER	2	
13	68V-13152-00-00	STAY 2	1	
14	90119-06M17-00	BOLT, WITH WASHER	2	
15	90480-10M23-00	GROMMET	2	
16	90387-06M60-00	COLLAR	2	
17	68V-13897-00-00	PIPE, AIR	1	
18	68V-13892-00-00	HOSE, AIR 2	1	
19	68V-13543-10-00	HOSE, AIR	1	
20	90105-08M87-00	BOLT, FLANGE	4	
21	90105-08242-00	BOLT, FLANGE	1	
22	90387-09017-00	COLLAR	1	
23	91690-50014-00	PIN, SPRING	2	
24	68V-14291-10-00	BRACKET 1	1	
25	95895-08020-00	BOLT, FLANGE	3	
26	68V-13642-00-00	MANIFOLD 2	1	
27	95895-06030-00	BOLT, FLANGE	6	
28	90119-06M24-00	BOLT, WITH WASHER	4	
29	68V-21457-00-00	PLATE, PIPE GUIDE	1	
30	97095-06012-00	.BOLT	1	
31	92995-06600-00	WASHER	1	
32	90464-18246-00	.CLAMP	1	
33	6P2-24170-00-00	CANISTER ASSY	1	
34	68V-2419A-00-00	HOLDER	1	
35	68V-2134X-00-00	BRACKET, CANISTER	1	
36	97095-06016-00	BOLT	1	
37	92995-06600-00	WASHER	1	
38	90480-10M23-00	GROMMET	2	
39	90387-06M60-00	COLLAR	2	
40	90119-06M17-00	BOLT, WITH WASHER	2	
41	90464-26002-00	CLAMP	1	

F115JA_0611 / INTAKE 3



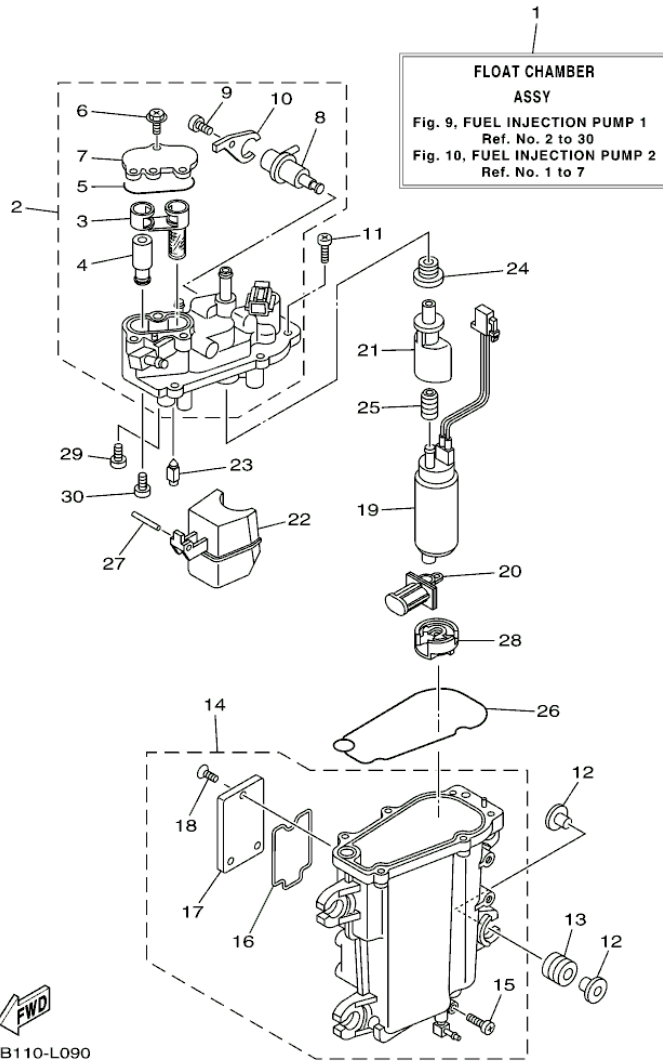
©2013 Yamaha Motor Corporation, U.S.A. All rights reserved.

Part List

F115JA_0611 / INTAKE 3

REF - NO	PART NUMBER	PART NAME	QUANTITY	REMARKS
1	6C5-86120-00-00	SOLENOID VALVE ASSY	1	
2	95380-06600-00	NUT, HEXAGON	1	
3	68V-2416A-00-00	HOSE	2	
4	90464-10011-00	CLAMP	2	
5	6AW-13545-10-00	HOSE 1	1	
6	688-24378-00-00	PIPE, JOINT 3	1	
7	68V-13546-10-00	HOSE 2	1	
8	6E5-21744-00-00	BREATHER	2	
9	6CB-13547-00-00	HOSE 3	1	
10	68V-13548-00-00	HOSE, AIR 4	1	
11	68V-12483-00-00	PIPE 3	1	
12	68V-1475F-00-00	PIPE 3	1	
13	6G8-24376-00-00	PIPE, JOINT 1	1	
14	6CB-14989-00-00	ORIFICE, AIR VENT	1	
15	68V-1475G-00-00	PIPE 4	1	
16	68V-1475A-00-00	PIPE 1	1	
17	68V-2475H-00-00	BRACKET, SEAT LEVER 1	1	
18	95895-06010-00	BOLT, FLANGE	2	
19	90464-11012-00	CLAMP	2	
20	90464-20006-00	CLAMP	1	
21	68V-2475J-00-00	BRACKET, SEAT LEVER 2	1	
22	95895-06010-00	BOLT, FLANGE	2	
23	90464-07009-00	CLAMP	1	
24	68V-13532-10-00	HOSE, VACUUM SENSING 3	1	
25	90461-04011-00	CLAMP	1	
26	95895-06010-00	BOLT, FLANGE	1	
27	90464-10006-00	CLAMP	1	
28	90464-18004-00	CLAMP	1	
29	90464-12224-00	CLAMP	1	

F115JA_0611 / FUEL INJECTION PUMP 1



©2013 Yamaha Motor Corporation, U.S.A. All rights reserved.


Part List

F115JA_0611 / FUEL INJECTION PUMP 1

REF - NO	PART NUMBER	PART NAME	QUANTITY	REMARKS
1	68V-14180-41-00	FLOAT CHAMBER ASSY	1	
2	68V-14182-20-00	COVER, FLOAT CHAMBER	1	
3	6CB-24501-01-00	.FILTER, FUEL	1	
4	68V-24481-00-00	.PLUG	1	
5	6CB-13016-00-00	.O-RING	1	
6	6CB-14216-00-00	.SCREW	3	
7	6CB-24217-00-00	.COVER	1	
8	6CB-13906-01-00	.REGULATOR, PRESSURE	1	
9	6CB-14564-00-00	.SCREW	1	
10	6CB-14146-00-00	.PLATE	1	
11	63P-14567-00-00	SCREW	6	
12	69J-13716-00-00	.COLLAR	8	
13	6CB-13593-00-00	.DAMPER	4	
14	68V-14181-20-00	BODY, FLOAT CHAMBER 1	1	
15	6P2-14191-00-00	.PLUG, DRAIN	1	
16	6CB-14239-00-00	.SEAL	1	
17	6CB-24452-00-00	.COVER	1	
18	6CB-14429-00-00	.SCREW	3	
19	68V-13907-20-00	FUEL PUMP COMP.	1	
20	63P-13915-00-00	FILTER	1	
21	6AW-13132-00-00	JOINT	1	
22	6CB-14985-00-00	FLOAT	1	
23	6CB-14546-00-00	VALVE, NEEDLE	1	
24	6CB-1447B-00-00	BUSH 1	1	
25	6AW-13781-00-00	DAMPER, PUMP	1	
26	6CB-14984-00-00	GASKET, FLOAT CHAMBER	1	
27	6P2-14386-00-00	PIN, FLOAT	1	
28	6AW-13784-00-00	COVER, PUMP	1	
29	4SV-24453-00-00	SCREW	1	
30	98507-04008-00	..SCREW, PAN HEAD	1	

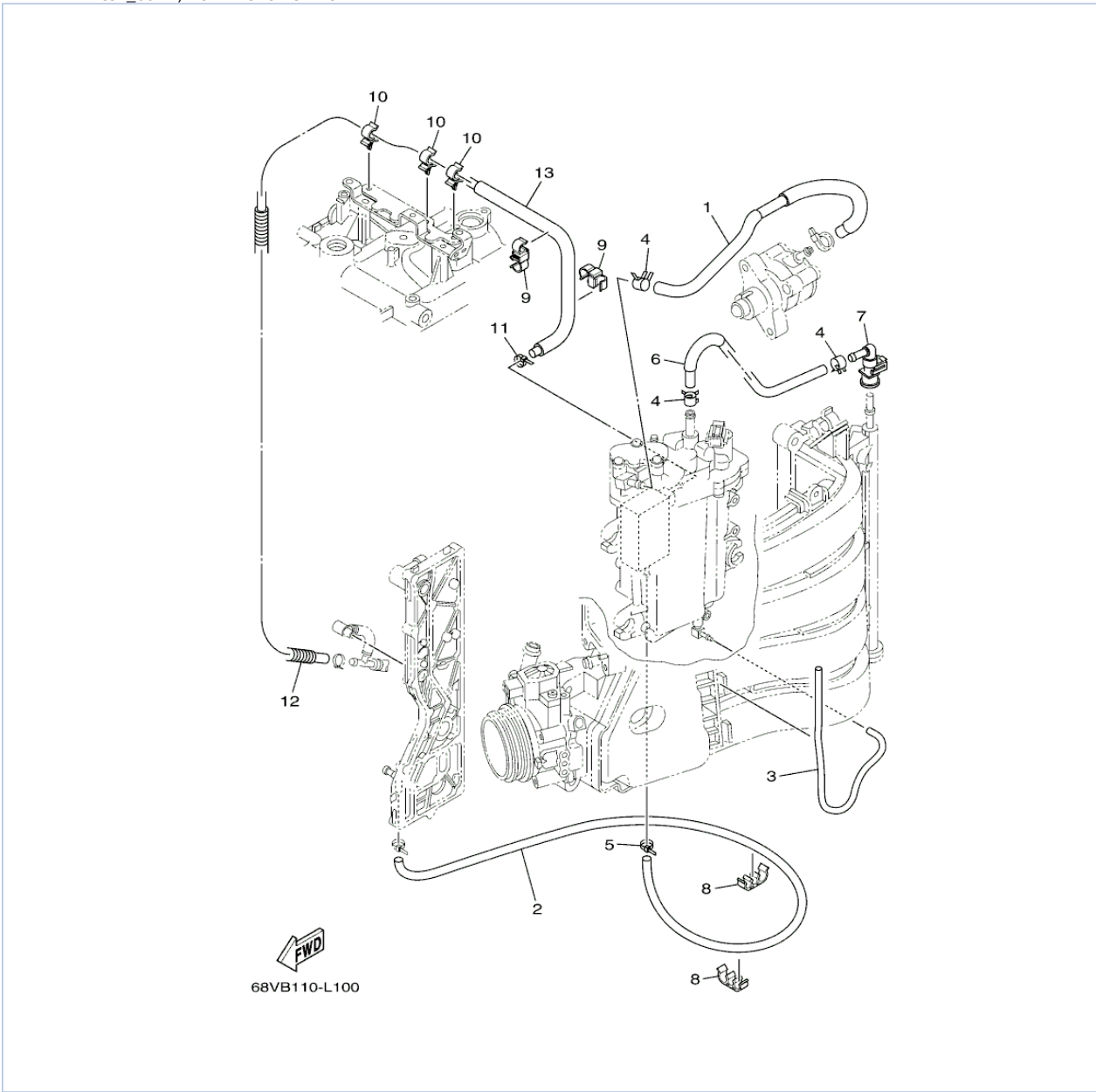
Part Notes

F115JA_0611 / FUEL INJECTION PUMP 1

PART NUMBER	NOTE TEXT
63P-13915-00-00 	OEM: This part number is among the Top 100 Most Popular Marine Maintenance Parts as of August 2013.

©2013 Yamaha Motor Corporation, U.S.A. All rights reserved.

F115JA_0611 / FUEL INJECTION PUMP 2



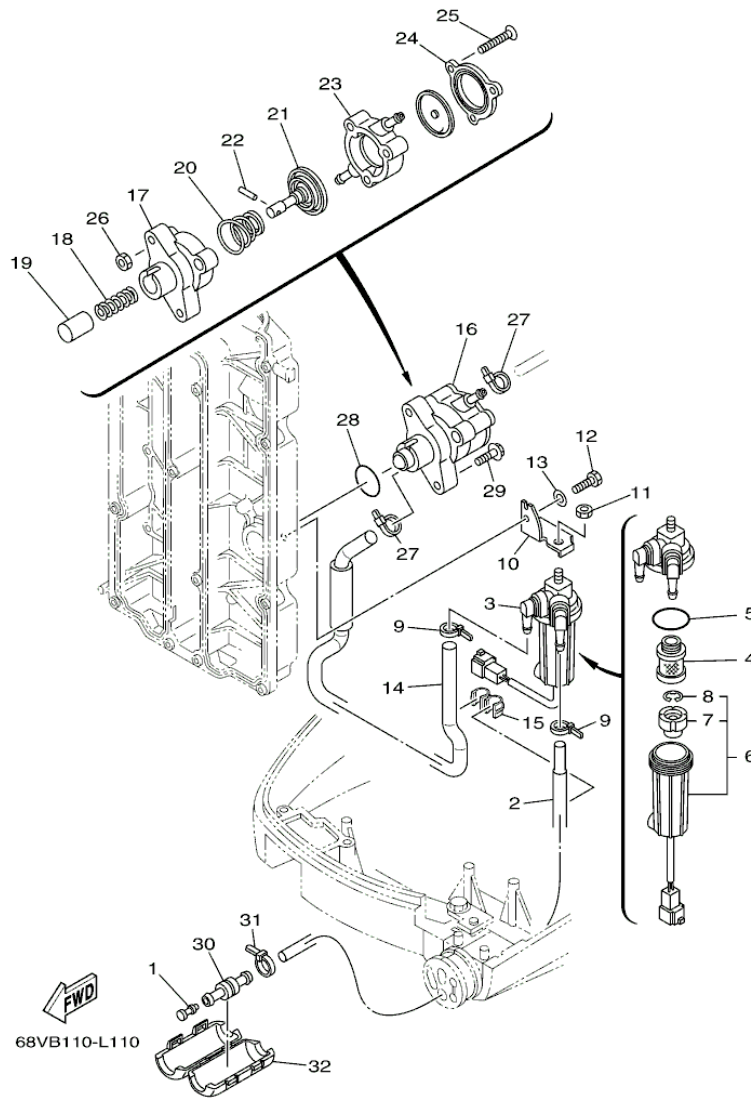
©2013 Yamaha Motor Corporation, U.S.A. All rights reserved.

Part List

F115JA_0611 / FUEL INJECTION PUMP 2

REF - NO	PART NUMBER	PART NAME	QUANTITY	REMARKS
1	68V-24324-10-00	PIPE 13	1	
2	68V-12482-00-00	PIPE 2	1	
3	6AW-14197-00-00	PIPE	1	
4	68V-13577-00-00	CLIP	3	
5	90465-11M10-00	CLAMP	1	
6	68V-13971-30-00	PIPE, FUEL 1	1	
7	6AW-24300-00-00	FUEL PIPE JOINT	1	
8	90464-11008-00	CLAMP	2	
9	90464-12010-00	CLAMP	2	
10	90464-09129-00	CLAMP	3	
11	90465-11M10-00	CLAMP	1	
12	68V-24864-00-00	TUBE	1	
13	68V-12484-10-00	PIPE 4	1	

F115JA_0611 / FUEL 1



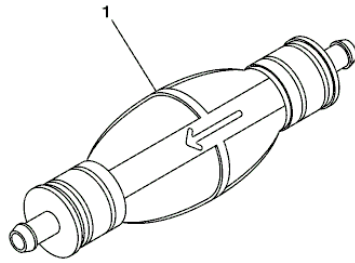
©2013 Yamaha Motor Corporation, U.S.A. All rights reserved.

Part List

F115JA_0611 / FUEL 1

REF - NO	PART NUMBER	PART NAME	QUANTITY	REMARKS
1	689-85547-00-00	DAMPER	1	
2	68V-24314-30-00	PIPE 4	1	
3	6D8-24560-00-00	FILTER ASSY	1	
4	6D8-24563-00-00	.ELEMENT, FILTER	1	
5	6D8-24564-00-00	.GASKET	1	
6	6D8-24562-00-00	.CUP, FILTER	1	
7	6D8-24469-00-00	..FLOAT, WATER LEVEL	1	
8	6D8-24519-00-00	..CLIP	1	
9	90465-11M10-00	CLAMP	2	
10	60C-24566-00-00	BRACKET, FILTER	1	
11	95380-08600-00	NUT	1	
12	97095-06016-00	BOLT	1	
13	92995-06600-00	WASHER	1	
14	68V-24311-20-00	PIPE, FUEL 1	1	
15	90464-12224-00	CLAMP	1	
16	6D8-24410-10-00	FUEL PUMP ASSY	1	
17	68V-24412-00-00	.BODY 1	1	
18	68V-24454-00-00	.SPRING	1	
19	63P-13131-00-00	.PLUNGER	1	
20	68V-24423-00-00	.SPRING, DIAPHRAGM	1	
21	68V-24411-00-00	.DIAPHRAGM	1	
22	68V-24374-00-00	.PIN	1	
23	68V-24413-10-00	.BODY 2	1	
24	6D8-24414-00-00	.BODY 3	1	
25	68V-24444-00-00	.SCREW	3	
26	68V-24149-00-00	.NUT	3	
27	90465-11M10-00	CLAMP	2	
28	93210-30682-00	.O-RING	1	
29	90119-06M83-00	BOLT, WITH WASHER	2	
30	6R3-24377-10-00	PIPE, JOINT 2	1	
31	90465-11M10-00	CLAMP	1	
32	68V-24452-00-00	COVER	1	

F115JA_0611 / FUEL 2



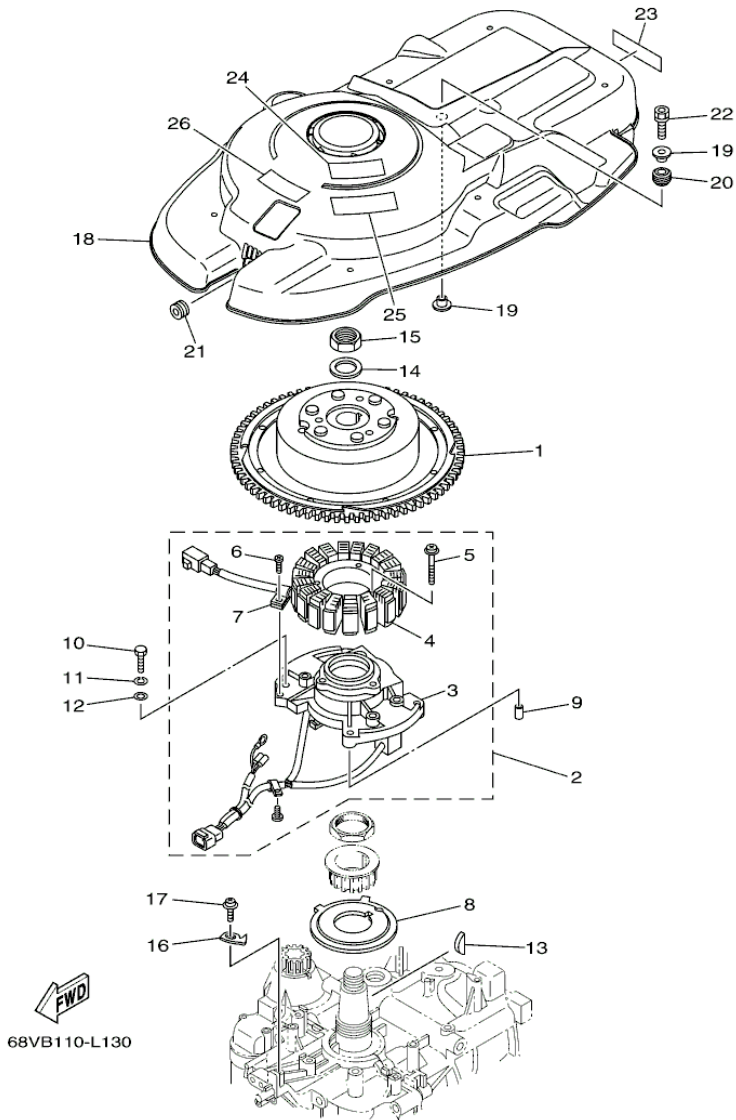
66VB110-L120

Part List

F115JA_0611 / FUEL 2

REF - NO	PART NUMBER	PART NAME	QUANTITY	REMARKS
1	6YK-24360-71-00	PRIMER PUMP ASSY	1	AP

F115JA_0611 / GENERATOR



©2013 Yamaha Motor Corporation, U.S.A. All rights reserved.



Part List

F115JA_0611 / GENERATOR

REF - NO	PART NUMBER	PART NAME	QUANTITY	REMARKS
1	68V-81450-00-00	ROTOR ASSY	1	
2	68V-81460-00-00	BASE ASSY	1	
3	68V-85580-00-00	.COIL, PULSER	1	
4	68V-81410-00-00	.STATOR ASSY	1	
5	63D-81345-20-00	.SCREW, WITH WASHER (M6X30)	3	
6	97607-04110-00	.SCREW, WITH WASHER	1	
7	445-81328-20-00	.CLAMP	1	
8	68V-81673-00-00	ROTOR	1	
9	99530-08012-00	PIN, DOWEL	2	
10	97095-06030-00	BOLT	4	
11	92995-06100-00	WASHER, SPRING	4	
12	92995-06600-00	WASHER	4	
13	90280-04M08-00	KEY, WOODRUFF	1	
14	90201-24014-00	WASHER, PLATE	1	
15	90179-24002-00	NUT	1	
16	6D8-81332-00-00	PLATE, TIMING	1	
17	97985-06210-00	SCREW, WITH WASHER	1	
18	68V-81337-00-00	COVER, FLYWHEEL	1	
19	90387-06M71-00	COLLAR	2	
20	90480-15M31-00	GROMMET	1	
21	90480-12314-00	GROMMET	1	
22	90119-06M92-00	BOLT, WITH WASHER	1	
23	68V-13437-42-00	MARK, CAUTION	1	
24	6AH-81995-40-00	LABEL, WARNING	1	
25	6AH-81994-40-00	LABEL, SAFETY	1	
26	6AG-81996-00-00	MARK	1	

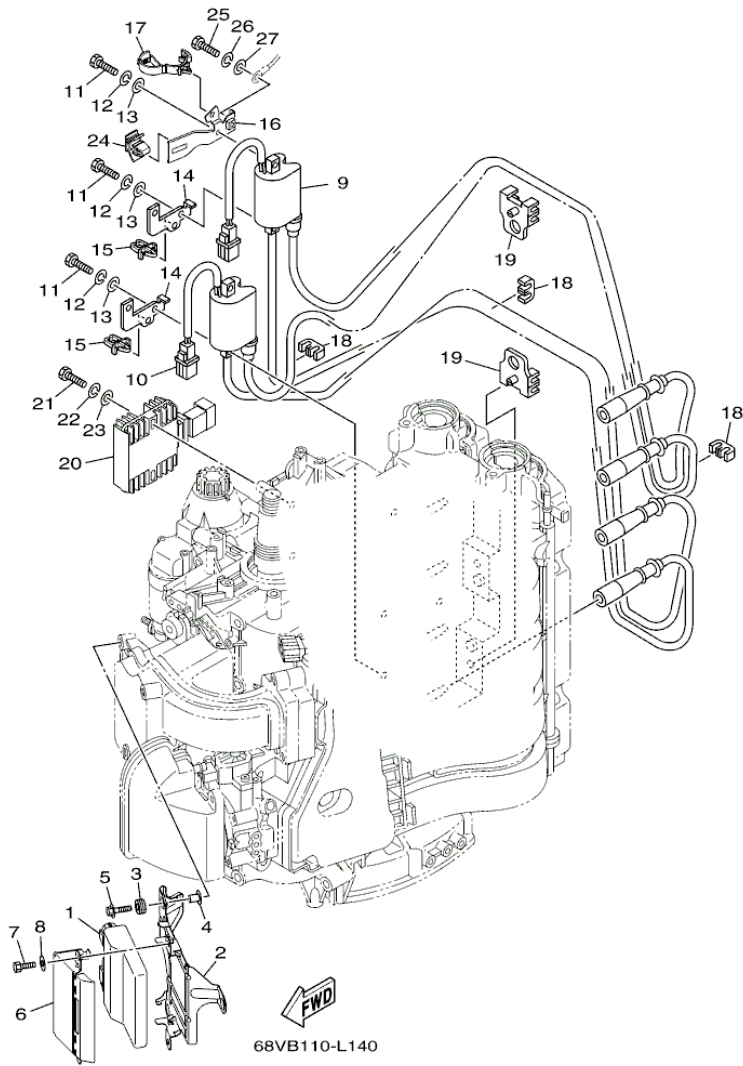
Part Notes

F115JA_0611 / GENERATOR

PART NUMBER		NOTE TEXT
92995-06100-00		OEM: This part number is among the Top 100 Most Popular Marine Maintenance Parts as of August 2013.
90480-12314-00		OEM: GROMMET used on F115TLR and F/LF115TXR 0510 Production and Later

©2013 Yamaha Motor Corporation, U.S.A. All rights reserved.

F115JA_0611 / ELECTRICAL 1



©2013 Yamaha Motor Corporation, U.S.A. All rights reserved.




Part List

F115JA_0611 / ELECTRICAL 1

REF - NO	PART NUMBER	PART NAME	QUANTITY	REMARKS
1	68V-8591A-70-00	ENGINE CONTROL UNIT ASSY	1	
2	68V-8253B-00-00	PLATE, LOCK	1	
3	60V-85516-00-00	SPACER	3	
4	90387-06M60-00	COLLAR	3	
5	90119-06071-00	BOLT, WITH WASHER	3	
6	68V-8253C-00-00	SPRING, PLATE LOCK	1	
7	97095-06012-00	BOLT	2	
8	92995-06600-00	WASHER	2	
9	68V-82310-00-00	IGNITION COIL ASSY	1	
10	68V-82310-10-00	IGNITION COIL ASSY	1	
11	97095-06025-00	BOLT	4	
12	92995-06100-00	WASHER, SPRING	4	
13	92995-06600-00	WASHER	4	
14	68V-82388-00-00	PLATE	2	
15	90464-06001-00	CLAMP	2	
16	68V-82388-10-00	PLATE	1	
17	90464-12183-00	CLAMP	1	
18	67F-82361-00-00	CLAMP, CORD	3	
19	67F-82362-00-00	CLAMP, CORD 2	2	
20	68V-81960-10-00	RECTIFIER & REGULATOR ASSY	1	
21	97095-06025-00	BOLT	2	
22	92995-06100-00	WASHER, SPRING	2	
23	92995-06600-00	WASHER	2	
24	90464-09M47-00	CLAMP	1	
25	97095-06016-00	BOLT	1	
26	92995-06100-00	WASHER, SPRING	1	
27	92995-06600-00	WASHER	1	

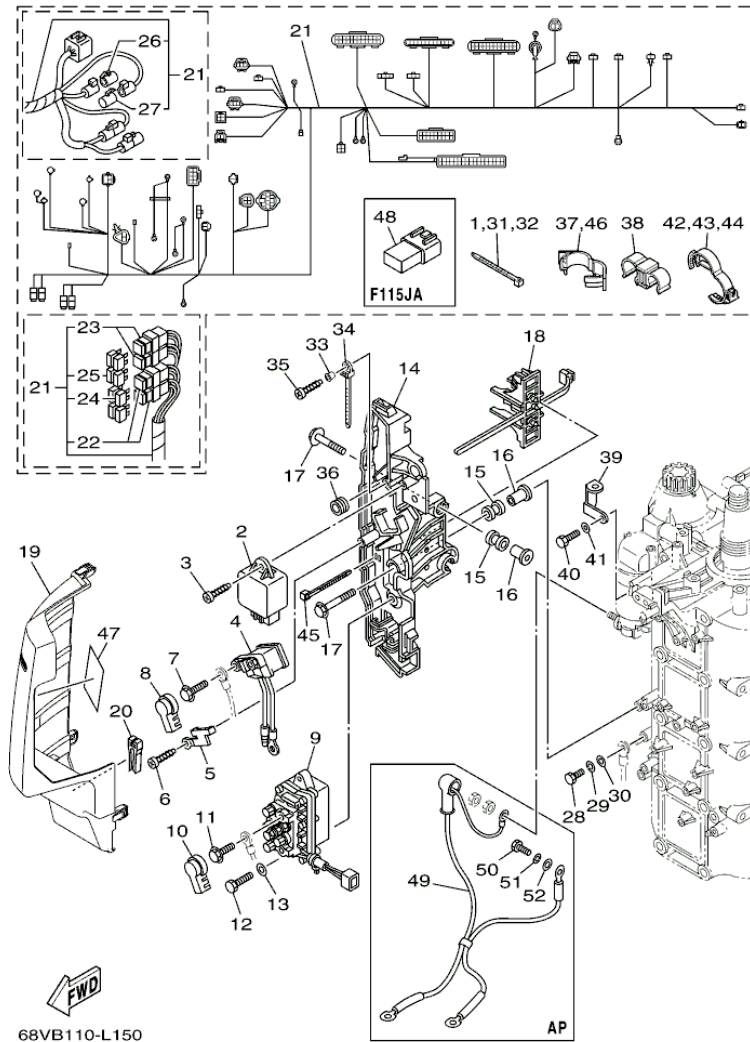
Part Notes

F115JA_0611 / ELECTRICAL 1

PART NUMBER		NOTE TEXT
92995-06100-00		OEM: This part number is among the Top 100 Most Popular Marine Maintenance Parts as of August 2013.
92995-06100-00		OEM: This part number is among the Top 100 Most Popular Marine Maintenance Parts as of August 2013.
92995-06100-00		OEM: This part number is among the Top 100 Most Popular Marine Maintenance Parts as of August 2013.

©2013 Yamaha Motor Corporation, U.S.A. All rights reserved.

F115JA_0611 / ELECTRICAL 2



©2013 Yamaha Motor Corporation, U.S.A. All rights reserved.


Part List

F115JA_0611 / ELECTRICAL 2

REF - NO	PART NUMBER	PART NAME	QUANTITY	REMARKS
1	90465-13M18-00	CLAMP	1	
2	60E-81950-00-00	.RELAY ASSY	1	
3	97780-60625-00	SCREW, TAPPING	1	
4	68V-8194A-00-00	RELAY	1	
5	68F-81953-00-00	STAY, RELAY	1	
6	97780-60620-00	SCREW, TAPPING	1	
7	97595-06610-00	BOLT, WITH WASHER	2	
8	6P2-8183X-00-00	CAP, TERMINAL	2	
9	63P-81950-00-00	RELAY ASSY	1	
10	6P2-8183X-00-00	CAP, TERMINAL	2	
11	97595-06610-00	BOLT, WITH WASHER	2	
12	97095-06020-00	BOLT	2	
13	92995-06600-00	WASHER	2	
14	68V-81948-02-00	BRACKET	1	
15	6A0-82317-00-00	DAMPER, IGNITION COIL	5	
16	90387-06119-00	COLLAR	5	
17	90119-06M59-00	BOLT, WITH WASHER	5	
18	68V-82594-00-00	CLAMP	1	
19	68V-81942-10-00	COVER	1	
20	67F-2812A-00-00	.PULLER, FUSE	1	
21	68V-82590-70-00	WIRE HARNESS ASSY	1	
22	67F-8215B-10-00	.CAP (YELLOW)	2	
23	67F-8215B-20-00	.CAP (GREEN)	2	
24	67F-82151-00-00	.FUSE (20A)	4	
25	67F-82151-10-00	.FUSE (30A)	4	
26	6P2-82582-00-00	.CAP 1 (FEMALE)	1	
27	6P2-82582-10-00	.CAP 1 (MALE)	1	
28	97095-06016-00	BOLT	1	
29	92995-06100-00	WASHER, SPRING	1	
30	92995-06600-00	WASHER	1	
31	90465-13M18-00	CLAMP	1	
32	90465-13M18-00	CLAMP	1	
33	90387-06M05-00	COLLAR	1	
34	90465-12M53-00	CLAMP	1	
35	97780-60625-00	SCREW, TAPPING	1	
36	6A0-82317-00-00	DAMPER, IGNITION COIL	1	
37	90464-18004-00	CLAMP	1	
38	90464-12010-00	CLAMP	1	
39	6D8-82581-01-00	STAY, CORD CLAMP	1	
40	97095-06014-00	BOLT	1	
41	92995-06600-00	WASHER	1	
42	90464-30003-00	CLAMP	2	
43	90464-30003-00	CLAMP	1	
44	90464-30003-00	CLAMP	1	
45	90465-13M11-00	CLAMP	2	
46	90464-18004-00	CLAMP	1	
47	68V-81919-10-00	GRAPHIC, REGULATOR	1	
48	68V-82582-10-00	COVER, WIRE HARNESS	1	FOR JET-DRIVE
49	68V-82105-00-00	BATTERY CABLE	1	AP
50	97013-06020-00	BOLT	1	AP
51	92903-06100-00	WASHER, SPRING	1	AP
52	92903-06600-00	WASHER, PLATE	1	AP

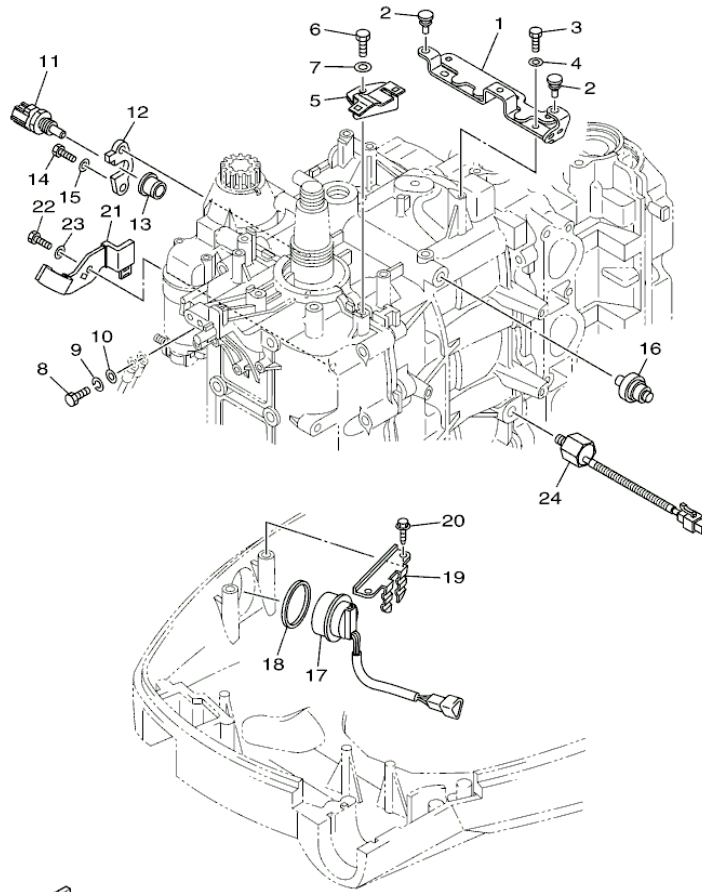
Part Notes

F115JA_0611 / ELECTRICAL 2

PART NUMBER		NOTE TEXT
92995-06100-00		OEM: This part number is among the Top 100 Most Popular Marine Maintenance Parts as of August 2013.

©2013 Yamaha Motor Corporation, U.S.A. All rights reserved.

F115JA_0611 / ELECTRICAL 3



68VB110-L160

©2013 Yamaha Motor Corporation, U.S.A. All rights reserved.


Part List

F115JA_0611 / ELECTRICAL 3

REF - NO	PART NUMBER	PART NAME	QUANTITY	REMARKS
1	68V-8132G-00-00	PLATE	1	
2	90480-06M19-00	GROMMET	2	
3	97095-06016-00	BOLT	2	
4	92995-06600-00	WASHER	2	
5	68V-82588-20-00	PLATE	1	
6	97095-06012-00	BOLT	1	
7	92995-06600-00	WASHER	1	
8	97095-06016-00	BOLT	1	
9	92995-06100-00	WASHER, SPRING	1	
10	92995-06600-00	WASHER	1	
11	67F-85790-00-00	THERMOSENSOR ASSY	1	
12	67F-85757-00-00	RETAINER	1	
13	68V-85753-00-00	.GASKET, SENDER UNIT	1	
14	97095-06016-00	BOLT	2	
15	92995-06600-00	WASHER	2	
16	68V-82504-00-00	OIL PRESSURE SWITCH ASSY	1	
17	63D-82563-10-00	TRIM & TILT SWITCH ASSY	1	
18	6E5-82587-00-00	GASKET	1	
19	67F-83614-00-00	BRACKET	1	
20	90109-06M86-00	BOLT	2	
21	6D8-8252H-01-00	PLATE, HOLDER	1	
22	97095-06012-00	BOLT	1	
23	92995-06600-00	WASHER	1	
24	6CJ-85780-00-00	SENSOR, KNOCK	1	

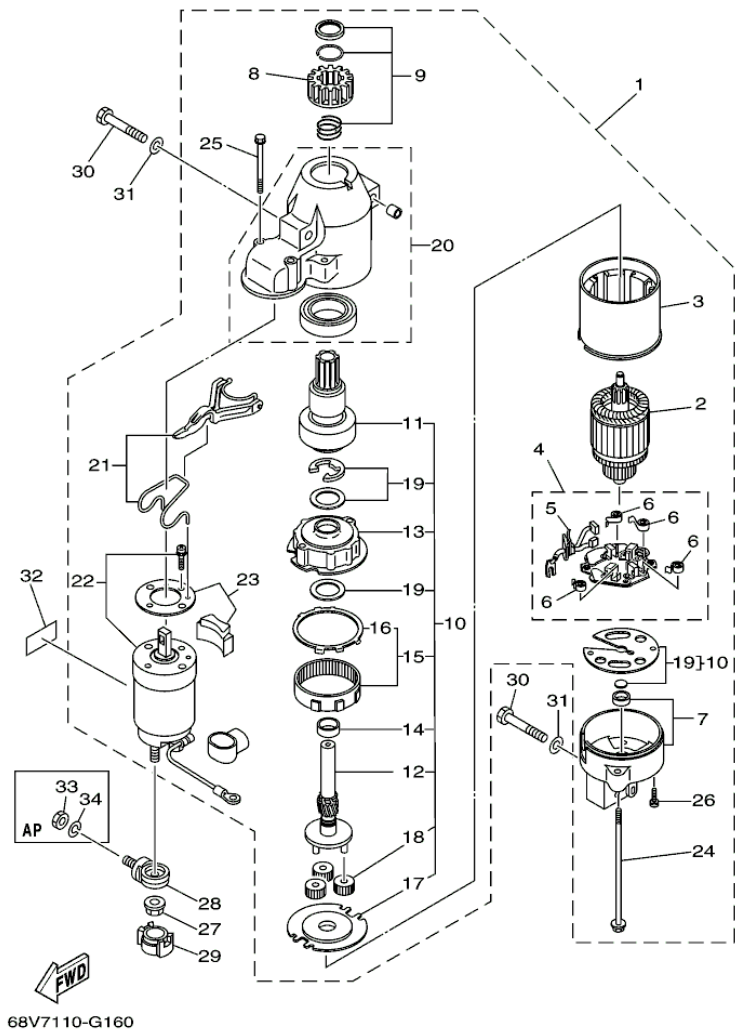
Part Notes

F115JA_0611 / ELECTRICAL 3

PART NUMBER	NOTE TEXT
92995-06100-00 	OEM: This part number is among the Top 100 Most Popular Marine Maintenance Parts as of August 2013.

©2013 Yamaha Motor Corporation, U.S.A. All rights reserved.

F115JA_0611 / STARTING MOTOR



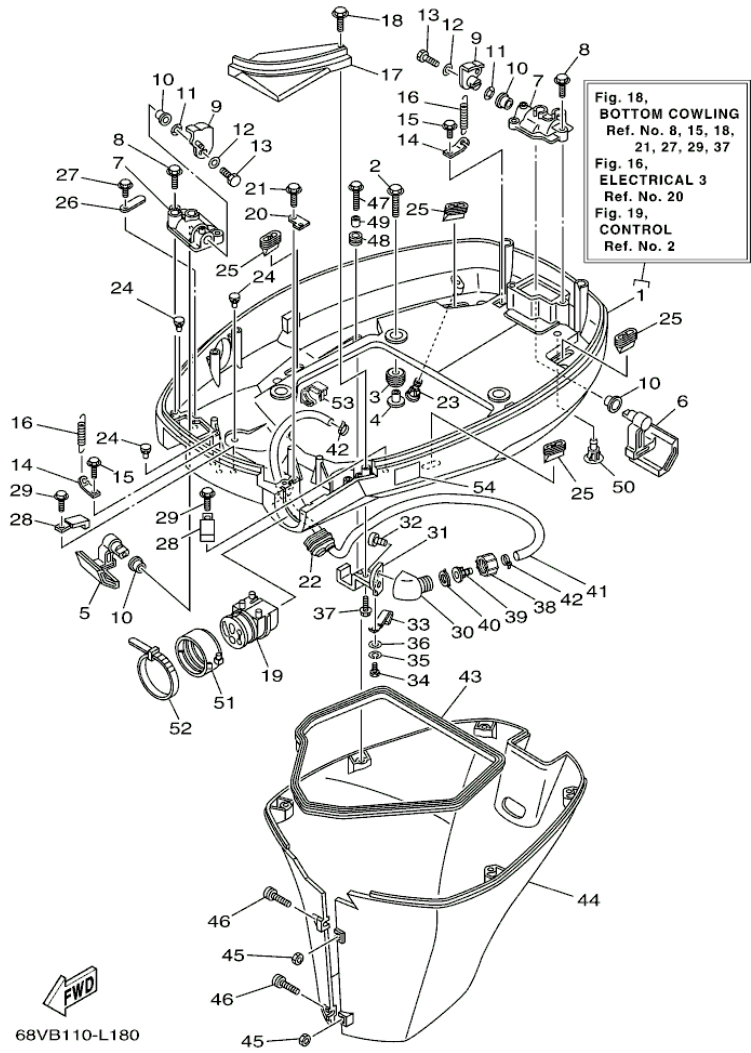
©2013 Yamaha Motor Corporation, U.S.A. All rights reserved.

Part List

F115JA_0611 / STARTING MOTOR

REF - NO	PART NUMBER	PART NAME	QUANTITY	REMARKS
1	68V-81800-01-00	STARTING MOTOR ASSY	1	
2	67F-81850-00-00	.ARMATURE ASSY	1	
3	67F-81810-00-00	.STATOR ASSY	1	
4	68F-81840-00-00	.BRUSH HOLDER ASSY	1	
5	67F-81801-00-00	..BRUSH SET	1	
6	67F-81813-00-00	..SPRING, BRUSH	4	
7	68F-81820-00-00	.REAR BRACKET ASSY	1	
8	67F-81808-00-00	.PINION ASSY	1	
9	67F-81857-00-00	.PINION STOPPER SET	1	
10	67F-81807-00-00	.GEAR ASSY, STARTING MOTOR	1	
11	67F-81832-00-00	..CLUTCH, OVER RUN	1	
12	67F-81836-00-00	..SHAFT, PINION	1	
13	67F-81821-00-00	..BRACKET, CENTER 1	1	
14	67F-81841-00-00	..BEARING	1	
15	67F-81891-00-00	..GEAR, RING	1	
16	67F-8183R-00-00	...GASKET	1	
17	67F-81830-00-00	..BRACKET, CENTER 2	1	
18	60V-8183T-00-00	..GEAR, IDLER	3	
19	67F-81809-00-00	..WASHER KIT	1	
20	67F-81842-00-00	.COVER	1	
21	67F-81839-00-00	.LEVER ASSY	1	
22	68V-81941-01-00	.STARTER RELAY ASSY	1	
23	67F-81869-00-00	.COVER, DUST	1	
24	6K7-81826-11-00	.BOLT	2	
25	67F-81828-00-00	.SCREW 2	2	
26	67F-81846-00-00	.SCREW	2	
27	90179-08003-00	NUT	1	
28	60V-81925-00-00	TERMINAL	1	
29	68F-82582-00-00	COVER, WIRE HARNESS	1	
30	97013-08045-00	BOLT	3	
31	92903-08600-00	WASHER, PLATE	3	
32	67F-83627-01-00	LABEL, CAUTION 7	1	
33	95333-08600-00	NUT	1	AP
34	92903-08100-00	WASHER, SPRING	1	AP

F115JA_0611 / BOTTOM COWLING



©2013 Yamaha Motor Corporation, U.S.A. All rights reserved.

Part List

F115JA_0611 / BOTTOM COWLING

REF - NO	PART NUMBER	PART NAME	QUANTITY	REMARKS
1	68V-42710-02-8D	BOTTOM COWLING ASSY	1	
2	90119-08M22-00	BOLT, WITH WASHER	4	
3	90480-22M15-00	GROMMET	4	
4	90387-08M37-00	COLLAR	4	
5	67F-42815-00-8D	LEVER, CLAMP	1	
6	67F-42816-00-8D	LEVER, CLAMP	1	
7	67F-42828-00-8D	PLATE, CLAMP	2	
8	90109-06M82-00	BOLT	4	
9	68V-42818-01-00	LEVER, CLAMP	2	
10	90386-15M73-00	BUSH	4	
11	90206-15M18-00	WASHER, WAVE	2	
12	90201-06068-00	WASHER, PLATE	2	
13	97095-06016-00	BOLT	2	
14	64D-43144-00-00	HOOK, SPRING	2	
15	90109-06M80-00	BOLT	2	
16	90506-16M34-00	SPRING, TENSION	2	
17	68V-42738-00-8D	PLATE, FITTING	1	
18	90109-06M82-00	BOLT	2	
19	68V-42725-00-00	GROMMET	1	
20	67F-42756-01-00	STAY, CLAMP	1	
21	90109-06M86-00	BOLT	1	
22	6H1-42726-21-00	GROMMET	1	FLUSHING KIT
23	6BL-44391-00-00	NIPPLE, HOSE	1	
24	6H4-42748-00-00	GROMMET	3	
25	67F-42717-00-00	RUBBER, SEAL 2	4	
26	6E5-82588-00-00	PLATE	1	
27	90109-06M81-00	BOLT	1	
28	90465-08M23-00	CLAMP	2	
29	90109-06M80-00	BOLT	2	
30	68T-12572-00-00	ADAPTER	1	FLUSHING KIT
31	67F-12535-01-00	PLATE	1	FLUSHING KIT
32	90167-06002-00	SCREW, TAPPING	2	FLUSHING KIT
33	90462-06018-00	CLAMP	1	FLUSHING KIT
34	97095-06008-00	BOLT	1	FLUSHING KIT
35	92995-06100-00	WASHER, SPRING	1	FLUSHING KIT
36	92995-06200-00	.WASHER	1	FLUSHING KIT
37	90109-06M86-00	BOLT	1	FLUSHING KIT
38	6R3-12581-00-00	JOINT, HOSE 1	1	FLUSHING KIT
39	6R3-12582-00-00	JOINT, HOSE 2	1	FLUSHING KIT
40	6R3-12583-00-00	GASKET, HOSE JOINT	1	FLUSHING KIT
41	68V-24312-00-00	PIPE 2	1	FLUSHING KIT
42	90465-11M10-00	CLAMP	2	FLUSHING KIT
43	61A-42716-00-00	RUBBER, SEAL 1	1	
44	67F-42741-01-8D	APRON	1	
45	95380-06600-00	NUT, HEXAGON	2	
46	90159-06M28-00	SCREW, WITH WASHER	2	
47	90109-06M80-00	BOLT	5	
48	90480-13M24-00	GROMMET	5	
49	90387-06M43-00	COLLAR	5	
50	6P2-44391-00-00	NIPPLE, HOSE	1	
51	68F-42753-00-00	FASTNER	1	AP
52	90464-20258-00	CLAMP	1	AP
53	90464-18004-00	CLAMP	1	


54 6AH-42794-40-00

LABEL, WARNING (GENERAL)

1

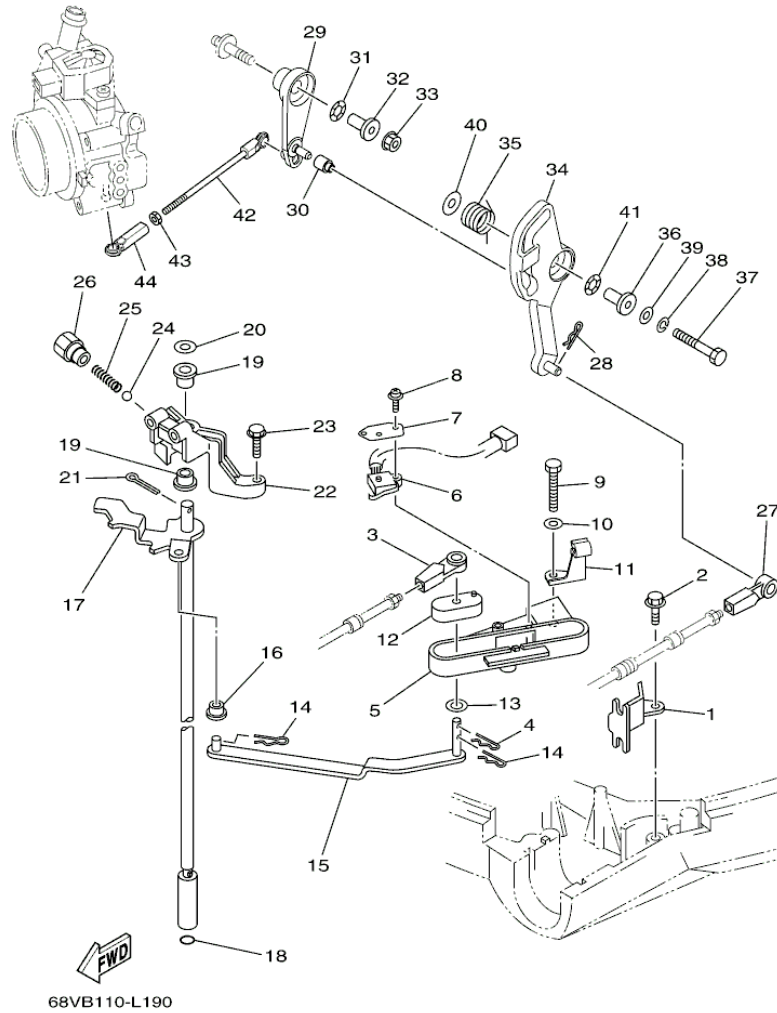
Part Notes

F115JA_0611 / BOTTOM COWLING

PART NUMBER		NOTE TEXT
92995-06100-00		OEM: This part number is among the Top 100 Most Popular Marine Maintenance Parts as of August 2013.

©2013 Yamaha Motor Corporation, U.S.A. All rights reserved.

F115JA_0611 / CONTROL



©2013 Yamaha Motor Corporation, U.S.A. All rights reserved.


Part List

F115JA_0611 / CONTROL

REF - NO	PART NUMBER	PART NAME	QUANTITY	REMARKS
1	67F-48538-00-00	CLAMP, CABLE 1	1	
2	90109-06M86-00	BOLT	1	
3	663-48344-00-00	.CABLE END, REMOTE CONTROL	1	
4	90468-18008-00	CLIP	1	
5	68V-44117-02-00	BRACKET	1	
9	97095-06040-00	.BOLT	2	
10	92995-06600-00	WASHER	2	
11	90462-10027-00	CLAMP	1	
12	68V-44122-01-00	BUSHING, SHIFT ROD LEVER	1	
13	90202-07M07-00	WASHER, PLATE	1	
14	90468-18008-00	CLIP	2	
15	68V-44121-00-00	LEVER, SHIFT ROD	1	
16	90386-06M12-00	BUSH	1	
17	68V-44120-10-00	HANDLE GEAR SHIFT ASSY	1	L(20.3")
18	93210-09165-00	O-RING	1	
19	90386-90M90-00	BUSH	2	
20	90201-09M02-00	WASHER, PLATE	1	
21	91490-20015-00	PIN. COTTER	1	
22	68V-44118-00-94	BRACKET	1	
23	97575-06525-00	BOLT, WITH WASHER	2	
24	93501-04M02-00	BALL	1	
25	90501-12082-00	SPRING, COMPRESSION	1	
26	648-42715-00-00	BUSHING	1	
27	663-48344-00-00	.CABLE END, REMOTE CONTROL	1	
28	90468-18008-00	CLIP	1	
29	68V-42154-10-00	LEVER, THROTTLE CONTROL	1	
30	68V-42171-00-00	BUSHING	1	
31	90206-10M04-00	WASHER, WAVE	1	
32	90387-06M21-00	COLLAR	1	
33	90179-06M28-00	NUT	1	
34	68V-41213-00-00	CAM, ACCEL.	1	
35	67F-44135-00-00	SPRING	1	
36	90387-06M21-00	COLLAR	1	
37	97095-06035-00	BOLT	1	
38	92995-06100-00	WASHER, SPRING	1	
39	92995-06600-00	WASHER	1	
40	90201-06M62-00	WASHER, PLATE	1	
41	90206-10M04-00	WASHER, WAVE	1	
42	688-41211-01-00	LINK, ACCEL.	1	
43	95380-05600-00	NUT	1	
44	682-41237-00-00	JOINT, LINK	1	

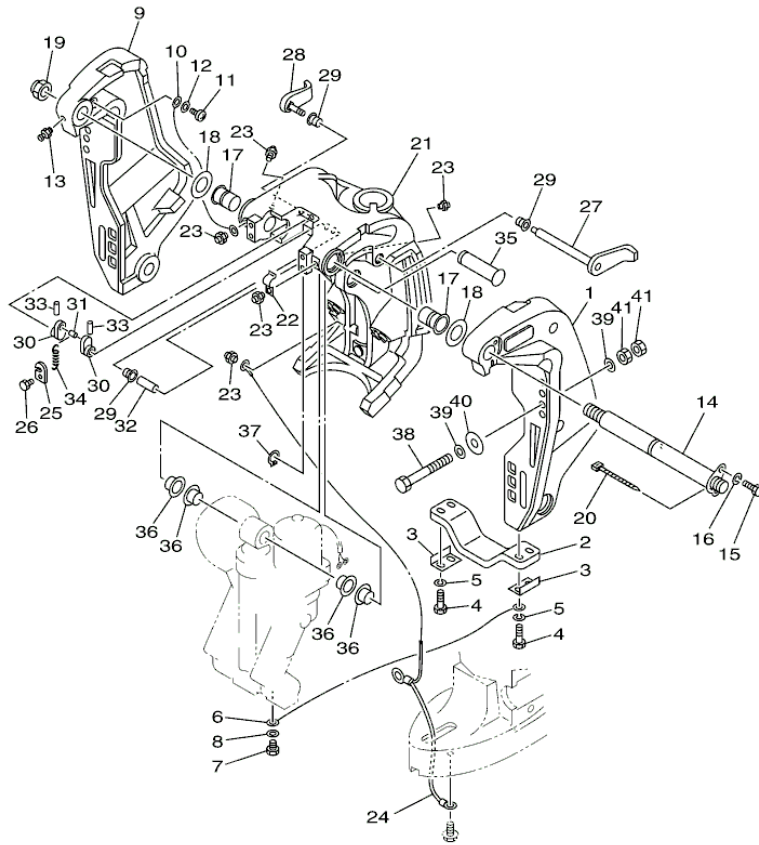
Part Notes

F115JA_0611 / CONTROL

PART NUMBER	NOTE TEXT
92995-06100-00 	OEM: This part number is among the Top 100 Most Popular Marine Maintenance Parts as of August 2013.

©2013 Yamaha Motor Corporation, U.S.A. All rights reserved.

F115JA_0611 / BRACKET 1




68VB110-L200

©2013 Yamaha Motor Corporation, U.S.A. All rights reserved.





Part List

F115JA_0611 / BRACKET 1

REF - NO	PART NUMBER	PART NAME	QUANTITY	REMARKS
1	68V-43111-01-8D	BRACKET, CLAMP 1	1	
2	6G5-45251-02-00	ANODE	1	
3	6G5-44526-00-00	PLATE	2	
4	97095-06030-00	BOLT	4	
5	92995-06100-00	WASHER, SPRING	4	
6	6E5-82148-00-00	WIRE, LEAD 4	1	
7	97095-06010-00	BOLT	1	
8	92995-06600-00	WASHER	1	
9	68V-43112-01-8D	BRACKET, CLAMP 2	1	
10	6E5-82148-00-00	WIRE, LEAD 4	1	
11	97885-06012-00	SCREW, PAN HEAD	1	
12	92995-06600-00	WASHER	1	
13	93700-06M03-00	NIPPLE, GREASE	1	
14	64E-43131-20-00	BOLT, CLAMP BRACKET	1	
15	97095-08020-00	BOLT	1	
16	92995-08100-00	WASHER	1	
17	90386-25M31-00	BUSH	2	
18	90201-26M59-00	WASHER, PLATE	2	
19	90185-22M11-00	NUT, SELF-LOCKING	1	
20	90465-11M10-00	CLAMP	1	
21	64E-43311-10-8D	BRACKET, SWIVEL 1	1	L(20.3")
22	90465-08M63-00	CLAMP	1	
23	93700-06M03-00	NIPPLE, GREASE	5	
24	66K-82149-00-00	WIRE, LEAD 3	1	L(20.3")
25	66T-43144-00-00	HOOK, SPRING	1	
26	97095-06010-00	BOLT	1	
27	6G5-43181-02-00	LEVER, TILT STOP 1	1	
28	6G5-43185-02-00	LEVER, TILT STOP 2	1	
29	90386-10M16-00	BUSH	3	
30	6G5-43148-00-00	COLLAR, DISTANCE	2	
31	90249-06M19-00	PIN	1	
32	90387-10M05-00	COLLAR	1	
33	91690-30020-00	PIN, SPRING	2	
34	90506-14M24-00	SPRING, TENSION	1	
35	64E-43126-00-00	PIN, UPPER SHOCK MOUNT	1	
36	90386-22M98-00	BUSH	4	
37	93410-22M11-00	CIRCLIP	1	
38	90101-12M05-00	BOLT (L:130MM)	4	UR
39	90201-13M01-00	WASHER, PLATE	8	
40	90201-12426-00	WASHER, PLATE	4	
41	95380-12600-00	NUT	8	

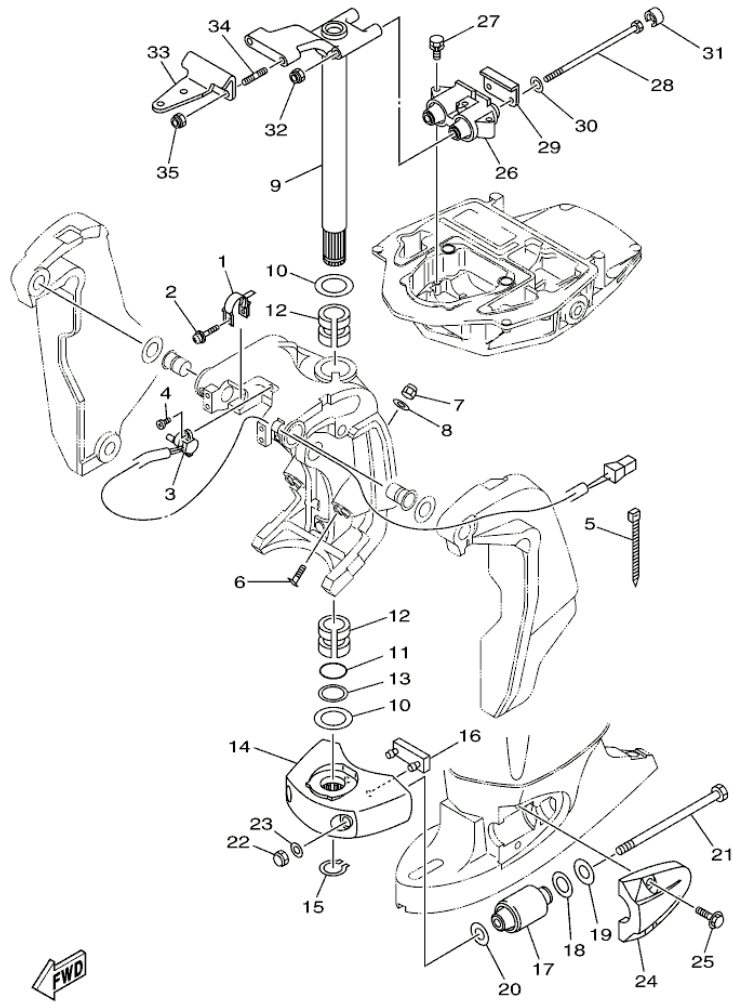
Part Notes

F115JA_0611 / BRACKET 1

PART NUMBER		NOTE TEXT
6G5-45251-02-00		OEM: This part number is among the Top 100 Most Popular Marine Maintenance Parts as of August 2013.
92995-06100-00		OEM: This part number is among the Top 100 Most Popular Marine Maintenance Parts as of August 2013.
93700-06M03-00		OEM: This part number is among the Top 100 Most Popular Marine Maintenance Parts as of August 2013.
93700-06M03-00		OEM: This part number is among the Top 100 Most Popular Marine Maintenance Parts as of August 2013.

©2013 Yamaha Motor Corporation, U.S.A. All rights reserved.

F115JA_0611 / BRACKET 2



68V9110-J200

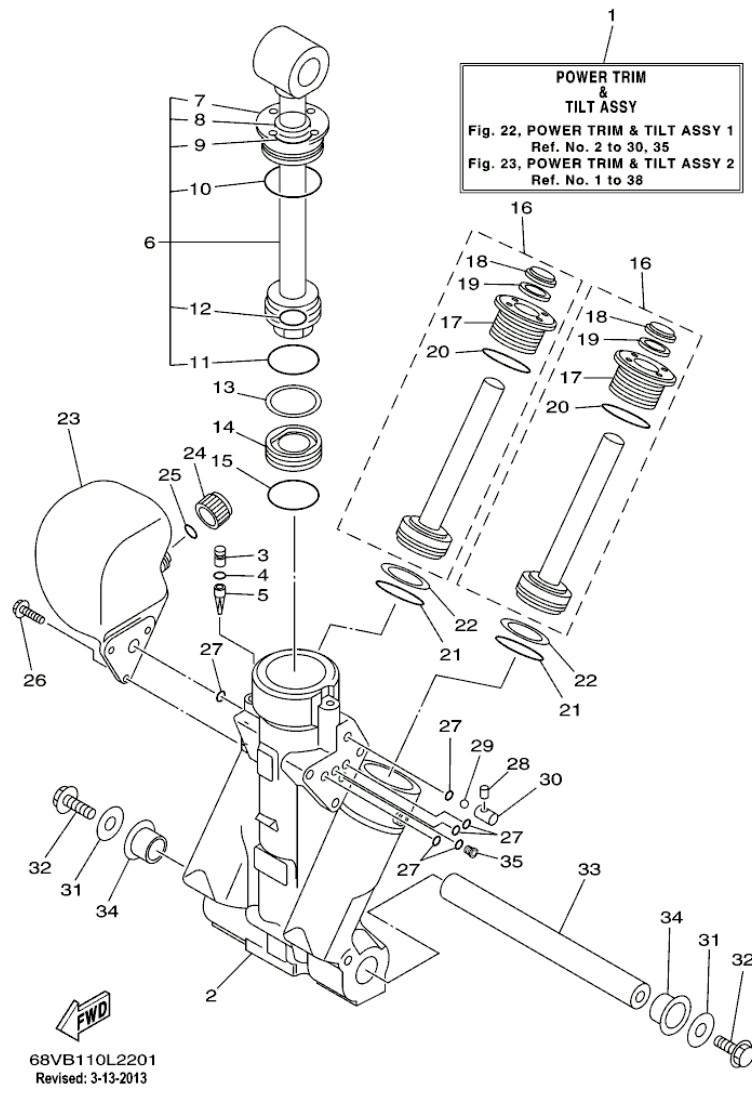
©2013 Yamaha Motor Corporation, U.S.A. All rights reserved.

Part List

F115JA_0611 / BRACKET 2

REF - NO	PART NUMBER	PART NAME	QUANTITY	REMARKS
1	64E-43139-10-00	CAM, TRIM SENDER	1	
2	90159-05059-00	SCREW, WITH WASHER	1	
3	67H-83672-01-00	TRIM SENDER	1	
4	97885-06016-00	SCREW, PAN HEAD	2	
5	90465-11M10-00	CLAMP	3	
6	63P-43376-00-00	BOLT, THRUST RECEIVER	2	
7	95780-10300-00	NUT, FLANGE	2	
8	92995-10600-00	WASHER	2	
9	68V-42510-11-8D	STEERING BRACKET ASSY	1	L(20.3")
10	90201-38M60-00	WASHER, PLATE	2	
11	93210-37MH7-00	O-RING	1	
12	90386-38M32-00	BUSH	2	
13	90202-40M47-00	WASHER, PLATE	1	
14	68V-44551-00-8D	HOUSING, LOWER MOUNT RUBBER 1	1	
15	93410-37M04-00	CIRCLIP	1	
16	61A-44575-00-00	DAMPER, LOWER MOUNT RUBBER	1	
17	61A-44555-01-94	MOUNT DAMPER, LOWER SIDE	2	
18	90202-32M19-00	WASHER, PLATE	2	
19	90201-16M55-00	WASHER, PLATE	2	
20	90201-15M58-00	WASHER, PLATE	2	
21	90109-14007-00	BOLT	2	
22	95380-14600-00	NUT	2	
23	92995-14600-00	WASHER	2	
24	68V-44553-00-8D	COVER, LOWER MOUNT	2	
25	90119-10049-00	BOLT, WITH WASHER	4	
26	67F-44514-01-00	MOUNT DAMPER, UPPER SIDE	1	
27	90119-08091-00	BOLT, WITH WASHER	3	
28	90109-12007-00	BOLT	2	
29	67F-44526-00-00	PLATE	1	
30	90201-12M09-00	WASHER, PLATE	2	
31	67F-44533-00-00	DAMPER, UPPER MOUNT RUBBER	2	
32	90185-12M12-00	NUT, SELF-LOCKING	2	
33	68V-48511-00-00	HOOK, STEERING	1	
34	90116-10175-00	BOLT, STUD	2	
35	90185-10051-00	NUT, SELF-LOCKING	2	

F115JA_0611 / POWER TRIM TILT ASSY 1



68VB110L2201
Revised: 3-13-2013

©2013 Yamaha Motor Corporation, U.S.A. All rights reserved.





Part List

F115JA_0611 / POWER TRIM TILT ASSY 1

REF - NO	PART NUMBER	PART NAME	QUANTITY	REMARKS
1	68V-43800-05-00	POWER TRIM & TILT ASSY	1	
2	64E-43825-03-00	HOUSING, TRIM & TILT	1	
3	6AW-4388J-00-00	PLUG 2	1	
4	93210-10M74-00	O-RING	1	
5	64E-43817-00-00	FILTER 2	1	
6	64E-43810-02-00	TILT PISTON SUB ASSY	1	
7	64E-43811-02-00	.SCREW, CYLINDER END	1	
8	64E-43898-00-00	.SEAL, DUST 2	1	
9	64E-43867-00-00	.O-RING	1	
10	64E-43866-00-00	.O-RING	1	
11	6E5-43862-00-00	.O-RING	1	
12	64E-43883-00-00	.O-RING	1	
13	6E5-43872-00-00	RING, BACK UP	1	
14	6E5-43814-02-00	PISTON, FREE	1	
15	6E5-43862-00-00	O-RING	1	
16	64E-43820-02-00	TRIM PISTON SUB ASSY	2	
17	64E-43821-02-00	.SCREW, TRIM CYLINDER END	1	
18	64E-43822-00-00	.SEAL, TRIM DUST	1	
19	64E-4384J-00-00	.SEAL, TRIM DOWN	1	
20	6G5-43864-00-00	.O-RING	1	
21	6E5-43864-00-00	O-RING	2	
22	6E5-43874-01-00	RING, BACK UP	2	
23	64E-43828-01-00	BODY, RESERVOIR	1	
24	64E-43829-01-00	PLUG, RESERVOIR	1	
25	64E-43897-00-00	O-RING	1	
26	64E-4388E-01-00	BOLT ,SCREW (L:14MM)	3	
27	64E-43869-00-00	O-RING	6	
28	64E-4381G-00-00	PIN	1	
29	6E5-43858-00-00	BALL	1	
30	64E-4382G-00-00	VALVE, SEAT	1	
31	90201-10060-00	WASHER, PLATE	2	
32	97575-10530-00	BOLT, WITH WASHER	2	
33	6BC-43818-00-00	PIN, LOWER SHOCK MOUNT	1	
34	90386-22M98-00	BUSH	2	
35	64E-4384N-00-00	PLUG, ORIFICE	1	

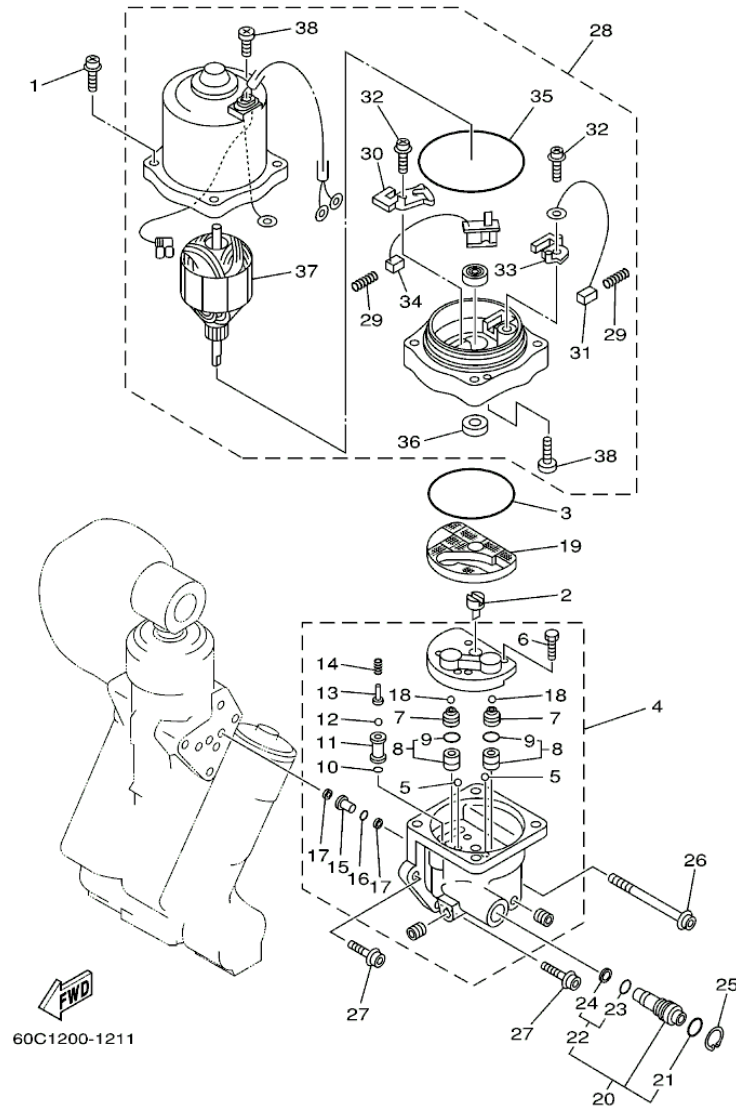
Part Notes

F115JA_0611 / POWER TRIM TILT ASSY 1

PART NUMBER		NOTE TEXT
64E-43822-00-00		OEM: This part number is among the Top 100 Most Popular Marine Maintenance Parts as of August 2013.
64E-4384J-00-00		OEM: This part number is among the Top 100 Most Popular Marine Maintenance Parts as of August 2013.
6G5-43864-00-00		OEM: This part number is among the Top 100 Most Popular Marine Maintenance Parts as of August 2013.
64E-43869-00-00		OEM: This part number is among the Top 100 Most Popular Marine Maintenance Parts as of August 2013.

©2013 Yamaha Motor Corporation, U.S.A. All rights reserved.

F115JA_0611 / POWER TRIM TILT ASSY 2



60C1200-1211

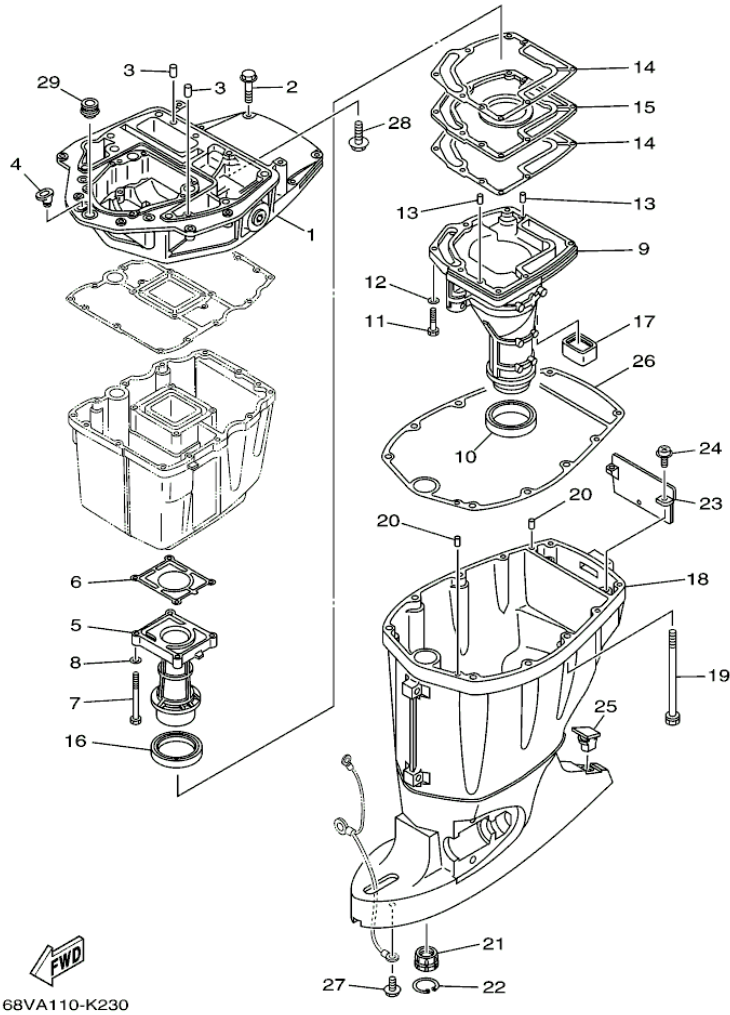
©2013 Yamaha Motor Corporation, U.S.A. All rights reserved.

Part List

F115JA_0611 / POWER TRIM TILT ASSY 2

REF - NO	PART NUMBER	PART NAME	QUANTITY	REMARKS
1	64E-4388E-11-00	BOLT ,SCREW (L:34.7MM)	4	
2	64E-43831-00-00	CONNECTOR, SHAFT	1	
3	64E-43868-00-00	O-RING	1	
4	68V-43830-01-00	GEAR PUMP ASSY	1	
5	72X-43858-00-00	.BALL	2	
6	64E-43843-00-00	.SCREW, VALVE LOCK	4	
7	6AW-43841-00-00	.PISTON, SHUTTLE	2	
8	64E-43802-00-00	.VALVE SUB ASSY	2	
9	6E5-43896-00-00	..O-RING	1	
10	6G5-43863-00-00	.O-RING	1	
11	66Y-43851-00-00	.SEAT, RELIEF VALVE	1	
12	64E-43858-00-00	.BALL	1	
13	64E-43859-00-00	.PIN, VALVE SUPPORT	1	
14	68V-43855-00-00	.SPRING, UP RELIEF	1	
15	64E-43850-00-00	.VALVE SUB ASSY	1	
16	64E-43865-00-00	.O-RING	1	
17	64E-43816-00-00	.FILTER 1	2	
18	6AW-43858-00-00	.BALL	2	
19	64E-43817-11-00	FILTER 2	1	
20	64E-43860-01-00	MANUAL VALVE SUB-ASSY	1	
21	72X-85075-L0-00	.O-RING	1	
22	64E-43827-00-00	.RING SET	1	
23	64E-4387A-00-00	..O-RING	1	
24	64E-43873-00-00	..RING, BACK UP	1	
25	6AW-43875-00-00	RING, SNAP	1	
26	64E-43879-11-00	SCREW, WITH WASHER	1	
27	64E-43879-01-00	SCREW, WITH WASHER	2	
28	68V-43880-04-00	MOTOR ASSY	1	
29	6H1-4386K-10-00	.SPRING, BRUSH	2	
30	64E-4380J-00-00	.HOLDER, BRUSH	1	
31	64E-43891-00-00	.BRUSH 1	1	
32	97607-04310-00	.SCREW,WITH WASHER	2	
33	64E-4380F-00-00	.HOLDER, BRUSH 2	1	
34	64E-43892-00-00	.BREAKER COMP (BRUSH 2)	1	
35	6G5-43865-01-00	.O-RING	1	
36	93102-08M43-00	.OIL SEAL	1	
37	64E-43805-01-00	.ARMATURE ASSY	1	
38	64E-43843-10-00	.SCREW, VALVE LOCK	3	

F115JA_0611 / UPPER CASING



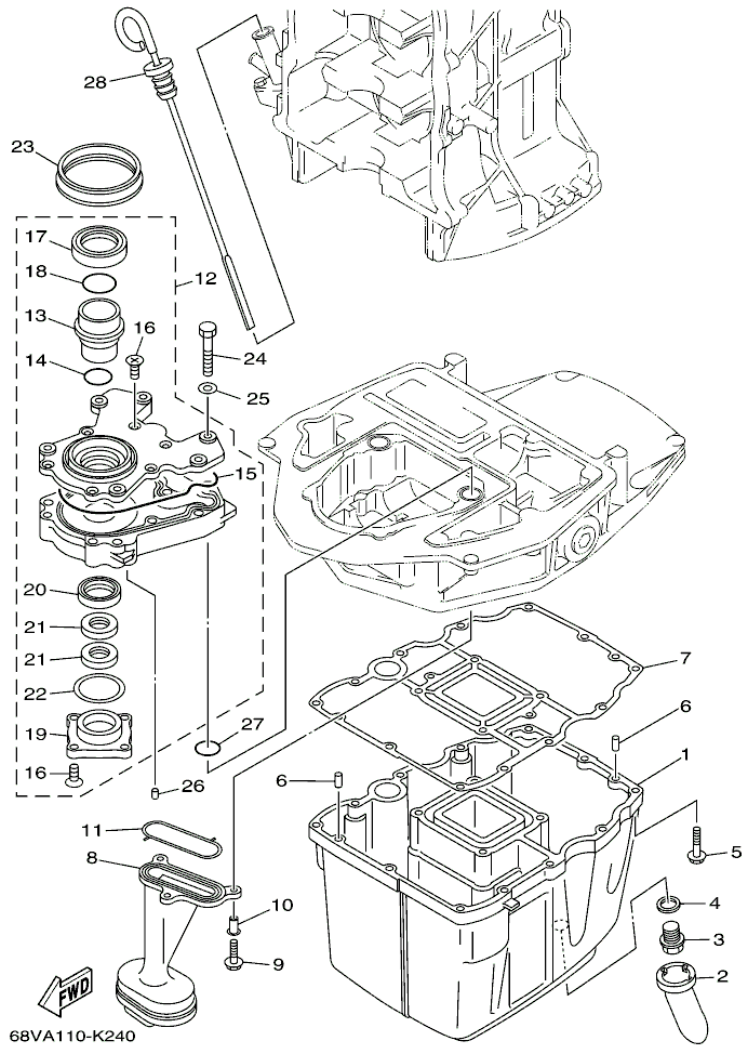
©2013 Yamaha Motor Corporation, U.S.A. All rights reserved.

Part List

F115JA_0611 / UPPER CASING

REF - NO	PART NUMBER	PART NAME	QUANTITY	REMARKS
1	67F-41137-02-CA	GUIDE, EXHAUST	1	
2	97575-08540-00	BOLT, WITH WASHER	4	
3	93608-16M16-00	PIN, DOWEL	2	
4	6G1-42727-00-00	GROMMET	1	
5	67F-41131-01-CA	MANIFOLD, EXT. 1	1	
6	67F-41133-A1-00	.GASKET, EXHAUST MANIFOLD 1	1	
7	97075-06070-00	BOLT	4	
8	92995-06600-00	WASHER	4	
9	68V-14711-10-CA	MUFFLER 1	1	L(20.3")
10	68V-45123-00-00	.GASKET, MUFFLER	1	
11	97075-06030-00	BOLT	7	
12	92995-06600-00	WASHER	7	
13	93606-19M23-00	PIN, DOWEL	2	
14	67F-41134-A0-00	.GASKET, EXHAUST MANIFOLD	2	
15	67F-45181-00-CA	PLATE	1	
16	67F-41138-00-00	.SEAL, EXT. 1	1	
17	67F-45127-00-00	.SEAL	1	
18	68V-45111-11-8D	CASING, UPPER	1	L(20.3")
19	90119-10M08-00	BOLT, WITH WASHER	6	
20	93608-16M16-00	PIN, DOWEL	2	
21	6E5-45318-00-00	BUSHING, DRIVE SHAFT	1	
22	93420-36M01-00	CIRCLIP	1	
23	67F-45151-00-00	COVER, UPPER CASING	1	
24	97980-06216-00	SCREW, WITH WASHER	2	
25	6C5-45155-00-00	CAP	1	
26	67F-45113-00-00	.GASKET, UPPER CASING	1	
27	95895-06010-00	BOLT, FLANGE	1	
28	90119-08M58-00	BOLT, WITH WASHER	2	
29	67F-42724-00-00	GROMMET	1	

F115JA_0611 / OIL PAN



©2013 Yamaha Motor Corporation, U.S.A. All rights reserved.


Part List

F115JA_0611 / OIL PAN

REF - NO	PART NUMBER	PART NAME	QUANTITY	REMARKS
1	68V-15311-00-CA	OIL PAN	1	
2	63P-15316-00-00	DAMPER 1	1	
3	90340-14M06-00	PLUG, STRAIGHT SCREW	1	
4	90430-14M09-00	.GASKET	1	
5	97575-06525-00	BOLT, WITH WASHER	12	
6	93606-12019-00	.PIN, DOWEL	2	
7	68V-15312-00-00	.GASKET, OIL PAN	1	
8	67F-13411-00-00	STRAINER, OIL	1	
9	95812-06025-00	BOLT, FLANGE	3	
10	90387-06263-00	.COLLAR	3	
11	67F-13415-00-00	.SEAL, OIL STRAINER	1	
12	67F-13300-10-00	OIL PUMP ASSY	1	
13	67F-13314-02-00	.SHAFT, PUMP	1	
14	67F-13473-01-00	.O-RING	1	
15	67F-13329-00-00	.GASKET, PUMP COVER	1	
16	67F-13495-00-00	.SCREW	10	
17	67F-13119-01-00	.OIL SEAL	1	
18	67F-13769-00-00	.O-RING	1	
19	67F-13914-00-00	.HOUSING, PUMP	1	
20	67F-13631-03-00	.OIL SEAL	1	
21	67F-13149-00-00	.OIL SEAL	2	
22	67F-13339-00-00	.GASKET, PUMP COVER	1	
23	67F-13338-00-00	SEAL	1	
24	97095-06045-00	.BOLT	6	
25	92995-06600-00	WASHER	6	
26	93604-12M07-00	PIN, DOWEL	2	
27	93210-19MJ1-00	.O-RING	2	
28	6D8-15362-00-00	PLUG, OIL LEVEL	1	

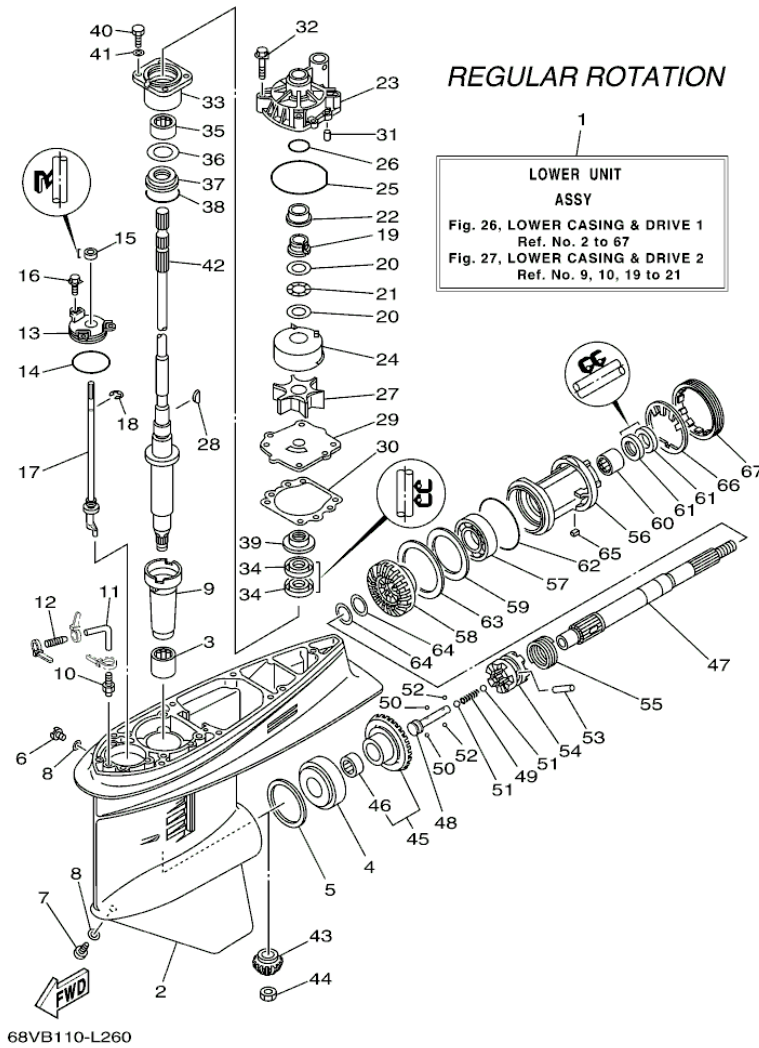
Part Notes

F115JA_0611 / OIL PAN

PART NUMBER	NOTE TEXT
90430-14M09-00 	OEM: This part number is among the Top 100 Most Popular Marine Maintenance Parts as of August 2013.

©2013 Yamaha Motor Corporation, U.S.A. All rights reserved.

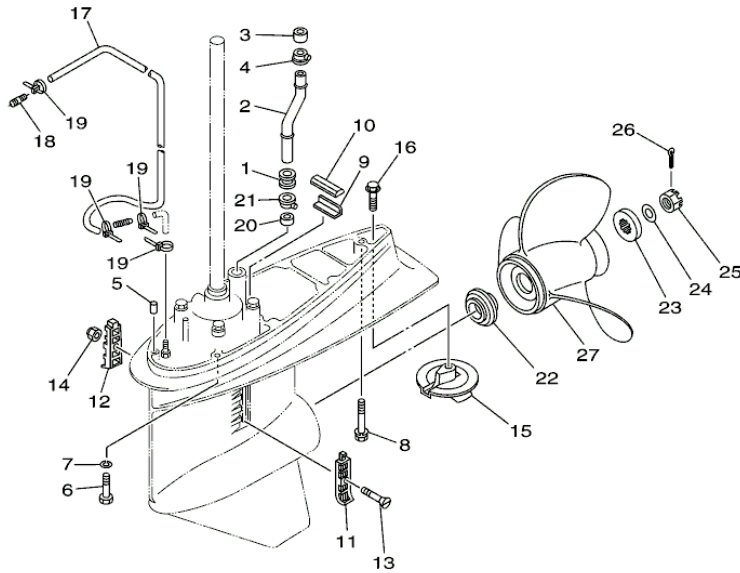
F115JA_0611 / LOWER CASING DRIVE 1



©2013 Yamaha Motor Corporation, U.S.A. All rights reserved.

F115JA_0611 / LOWER CASING DRIVE 2

REGULAR ROTATION



68VA110-K260

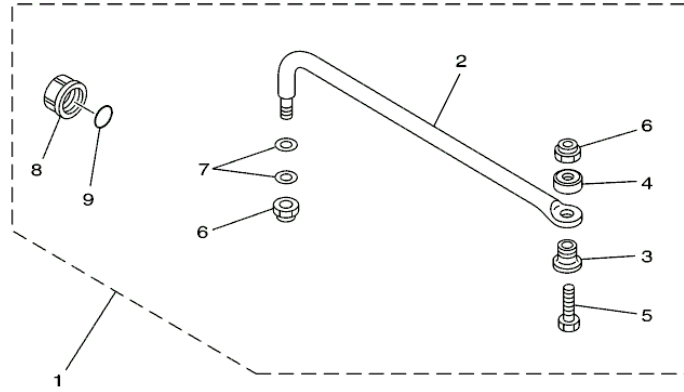
©2013 Yamaha Motor Corporation, U.S.A. All rights reserved.

Part List

F115JA_0611 / LOWER CASING DRIVE 2

REF - NO	PART NUMBER	PART NAME	QUANTITY	REMARKS
1	6E5-44366-00-00	DAMPER, WATER SEAL 2	1	
2	68V-44361-11-00	TUBE, WATER 1	1	L(20.3")
3	6E5-44365-00-00	DAMPER, WATER SEAL 1	1	
4	6E5-44312-00-00	COVER, WATER PUMP HOUSING	1	

F115JA_0611 / STEERING GUIDE



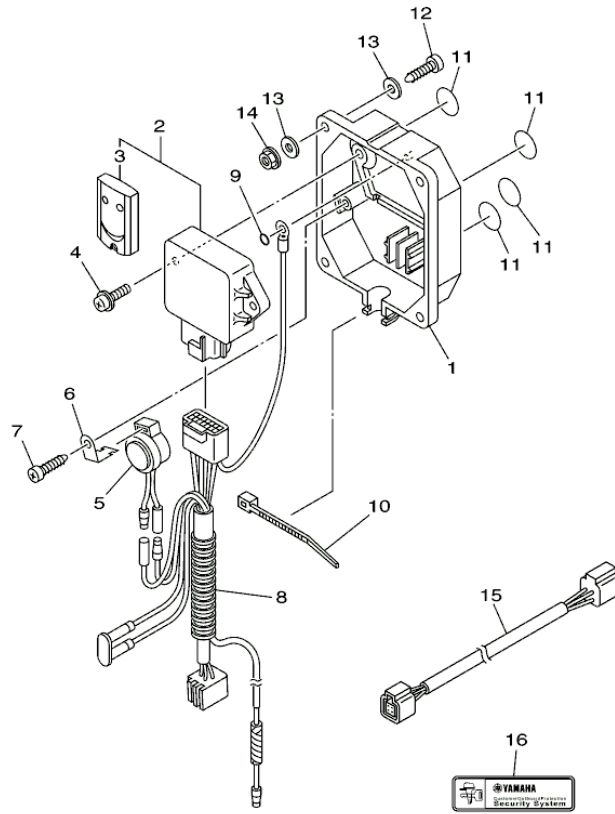
67H0100-9290

Part List

F115JA_0611 / STEERING GUIDE

REF - NO	PART NUMBER	PART NAME	QUANTITY	REMARKS
1	6E5-61350-02-00	STEERING GUIDE ATTACHMENT KIT	1	AP
2	6E5-61351-01-00	.ROD, STEERING LINK	1	
3	90387-10M61-00	.COLLAR	1	
4	90560-12M01-00	.SPACER	1	
5	6E5-61355-00-00	.BOLT	1	
6	90185-09M01-00	.NUT, SELF-LOCKING	2	
7	90201-10M20-00	.WASHER, PLATE	2	
8	6E5-43145-01-00	.CAP, CLAMP BRACKET	1	
9	93210-16275-00	.O-RING	1	

F115JA_0611 / OPTIONAL PARTS 1



6CJ1100-K370

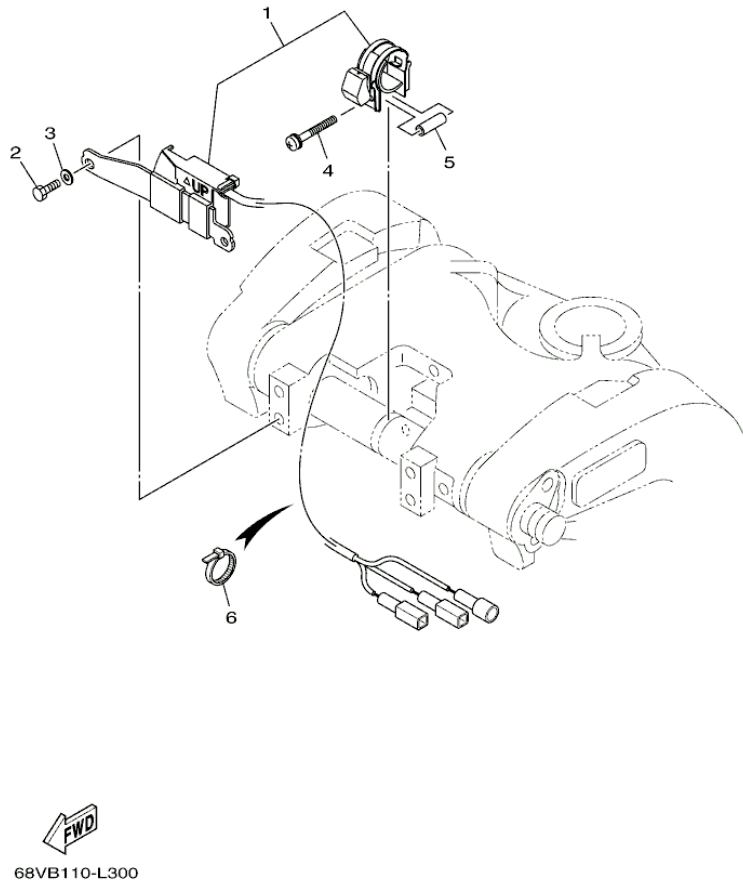
©2013 Yamaha Motor Corporation, U.S.A. All rights reserved.

Part List

F115JA_0611 / OPTIONAL PARTS 1

REF - NO	PART NUMBER	PART NAME	QUANTITY	REMARKS
1	6Y8-86267-00-00	CASE COMPLETE 1	1	
2	6Y8-86260-11-00	REMOTE CONTROL UNIT ASSY	1	
3	6AA-86261-21-00	.TRANSMITTER COMP	2	
4	97980-06216-00	SCREW, WITH WASHER	2	
5	6X4-83383-00-00	BUZZER	1	
6	6X4-83386-00-00	STAY, BUZZER	1	
7	97780-60620-00	SCREW, TAPPING	1	
8	6Y8-82509-10-00	WIRE, SUB LEAD	1	
9	93210-04279-00	O-RING	1	
10	90465-11M10-00	CLAMP	1	
11	6Y8-8454G-00-00	PATCH 1	4	
12	97880-06035-00	SCREW, PAN HEAD	4	UR
12	90167-06M00-00	SCREW, TAPPING	4	UR
13	90201-06M30-00	WASHER, PLATE	8	
14	95780-06300-00	NUT, FLANGE	4	
15	6Y8-82521-11-00	2FT PIGTAIL BUS	1	
16	6Y8-48277-00-00	STICKER 1	4	

F115JA_0611 / OPTIONAL PARTS 2



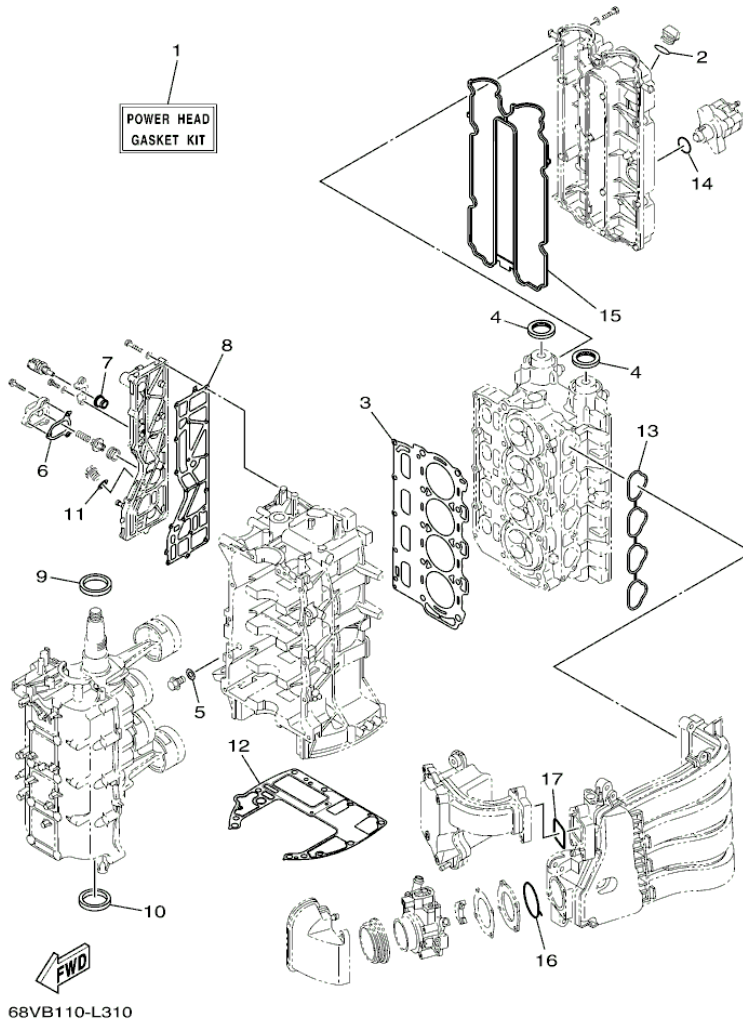
©2013 Yamaha Motor Corporation, U.S.A. All rights reserved.

Part List

F115JA_0611 / OPTIONAL PARTS 2

REF - NO	PART NUMBER	PART NAME	QUANTITY	REMARKS
1	63P-825E0-00-00	TILT LIMIT SWITCH ASSY	1	
2	97095-06016-00	BOLT	2	
3	92995-06600-00	WASHER	2	
4	90159-05059-00	SCREW, WITH WASHER	1	
5	90387-05004-00	COLLAR	1	
6	90465-11M10-00	CLAMP	5	

F115JA_0611 / REPAIR KIT 1



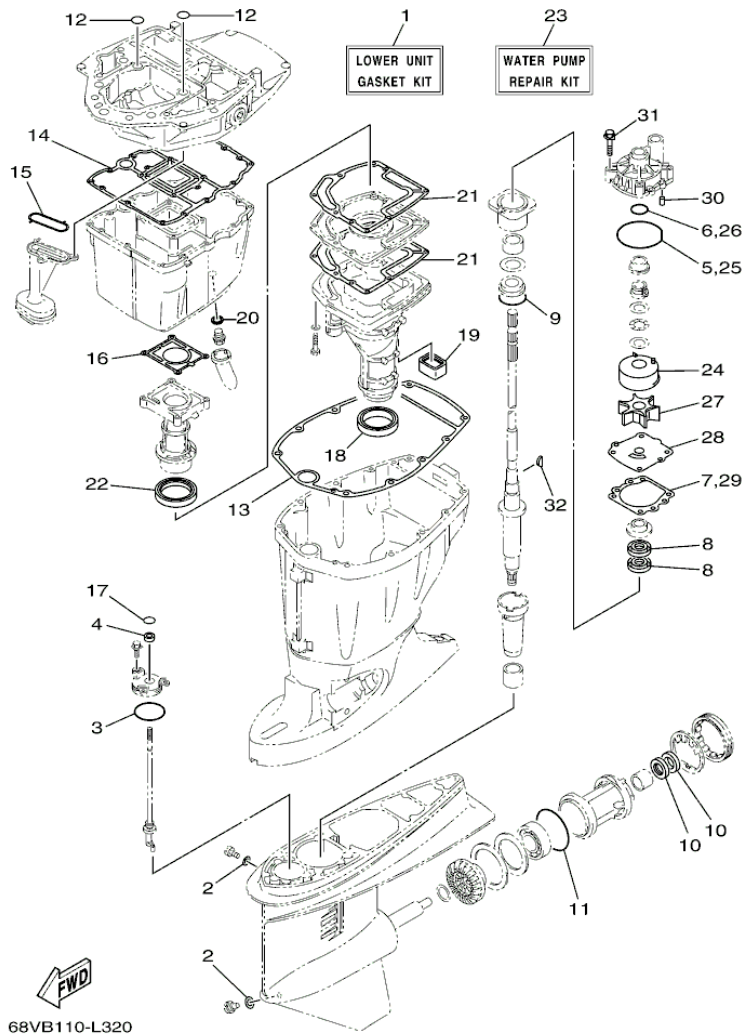
©2013 Yamaha Motor Corporation, U.S.A. All rights reserved.

Part List

F115JA_0611 / REPAIR KIT 1

REF - NO	PART NUMBER	PART NAME	QUANTITY	REMARKS
1	68V-W0001-06-00	POWER HEAD GASKET KIT	1	
2	93210-24M79-00	.O-RING	1	
3	67F-11181-03-00	.GASKET, CYLINDER HEAD 1	1	
4	93102-38008-00	.OIL SEAL	2	
5	90430-14115-00	.GASKET	1	
6	67F-12435-A0-00	.GASKET	1	
7	68V-85753-00-00	.GASKET, SENDER UNIT	1	
8	67F-41114-A2-00	.GASKET, EXHAUST OUTER COVER	1	
9	93102-48017-00	.OIL SEAL	1	
10	93101-48002-00	.OIL SEAL	1	
11	90430-18130-00	.GASKET	1	
12	68V-11351-00-00	.GASKET, CYLINDER	1	
13	68V-13645-10-00	.GASKET, MANIFOLD 1	1	
14	93210-30682-00	.O-RING	1	
15	6D8-11356-01-00	.SEAL, CYLINDER 2	1	
16	68V-13646-00-00	.GASKET, MANIFOLD 2	1	
17	68V-13647-00-00	.GASKET, MANIFOLD 3	1	

F115JA_0611 / REPAIR KIT 2



©2013 Yamaha Motor Corporation, U.S.A. All rights reserved.

©2013 Yamaha Motor Corporation, U.S.A. All rights reserved.