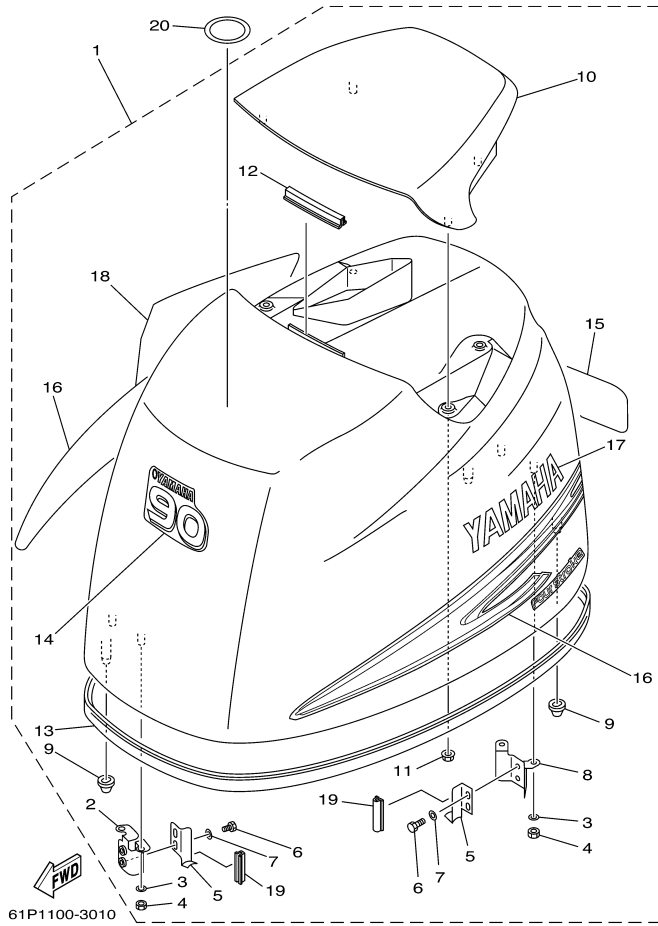


F90TLRC 2004 / TOP COWLING



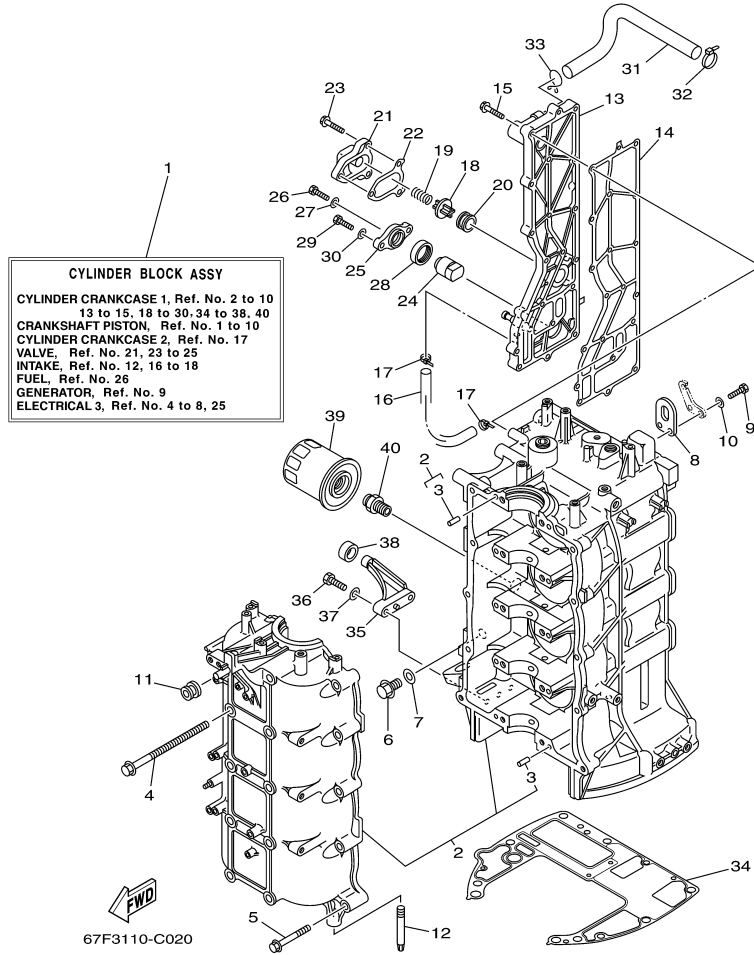
©2014 Yamaha Motor Corporation, U.S.A. All rights reserved.

## Part List

F90TLRC 2004 / TOP COWLING

REF - NO	PART NUMBER	PART NAME	QUANTITY	REMARKS
1	61P-42610-00-4D	TOP COWLING ASSY	1	UR F90TR
1	61P-42610-A0-4D	TOP COWLING ASSY	1	UR F90TJR
2	67F-42647-00-00	.HOLDER, CLAMP BAND	1	
3	92990-06100-00	.WASHER, SPRING	4	
4	95380-06600-00	.NUT, HEXAGON	4	
5	67F-42652-00-00	.HOOK	2	
6	97095-06012-00	.BOLT	4	
7	92995-06600-00	.WASHER	4	
8	67F-42649-00-00	.HOLDER, CLAMP BAND	1	
9	67F-42662-00-00	.DAMPER	3	
10	67F-42613-00-4D	.MOLDING, AIR DUCT	1	
11	90179-06M24-00	.NUT	4	
12	61N-42628-00-00	.SEAL	1	
13	67F-42615-00-00	.SEAL	1	
14	61P-42677-00-00	.GRAPHIC, FRONT	1	UR F90TR
14	61P-42677-A0-00	.GRAPHIC, FRONT	1	UR F90TJR
15	61P-42678-00-00	.GRAPHIC, REAR	1	UR F90TR
15	61P-42678-A0-00	.GRAPHIC, REAR	1	UR F90TJR
16	67F-W0070-10-00	.GRAPHIC SET	1	
17	67F-42681-10-00	.MARK, COWLING	1	
18	67F-42682-10-00	.MARK, COWLING	1	
19	67F-42628-00-00	.SEAL	2	
20	67F-13434-02-00	LABEL, CAUTION	1	

F90TLRC 2004 / CYLINDER CRANKCASE 1



©2014 Yamaha Motor Corporation, U.S.A. All rights reserved.




## Part List

F90TLRC 2004 / CYLINDER CRANKCASE 1

REF - NO	PART NUMBER	PART NAME	QUANTITY	REMARKS
1	60C-W009B-01-1S	CYLINDER BLOCK ASSY	1	
2	67F-15100-03-1S	CRANKCASE ASSY	1	
3	93606-12019-00	.PIN, DOWEL	10	
4	90119-10M88-00	BOLT, WITH WASHER	10	
5	90119-08M66-00	BOLT, WITH WASHER	10	
6	90340-14M06-00	PLUG, STRAIGHT SCREW	1	
7	90430-14115-00	.GASKET	1	
8	62Y-11119-00-00	HANGER, ENGINE	2	
9	97095-06020-00	BOLT	4	
10	92995-06600-00	WASHER	4	
11	90480-12072-00	GROMMET	1	
12	67F-15142-00-00	GUIDE 1	2	
13	67F-41113-01-1S	OUTER COVER, EXHAUST	1	
14	67F-41114-A0-00	.GASKET, EXHAUST OUTER COVER	1	
15	90119-06MA4-00	BOLT, WITH WASHER	18	
16	90445-10M40-00	HOSE (L330)	1	
17	90465-11M10-00	CLAMP	2	
18	6G5-12416-00-00	VALVE, PRESSURE CONTROL	1	
19	90501-16M11-00	SPRING, COMPRESSION	1	
20	90480-20M05-00	GROMMET	1	
21	67F-1246A-00-1S	COVER 1	1	
22	67F-12435-A0-00	.GASKET	1	
23	90119-06MA2-00	BOLT, WITH WASHER	3	
24	68V-11325-00-00	ANODE	1	
25	67F-11327-00-94	COVER, ANODE	1	
26	97075-06020-00	BOLT	1	
27	92995-06600-00	WASHER	1	
28	67F-11328-00-00	.GROMMET, ANODE	1	
29	97075-08025-00	BOLT	2	
30	92995-08600-00	WASHER	2	
31	67F-1243A-00-00	HOSE 1	1	
32	90465-11M10-00	CLAMP	1	
33	90467-20M15-00	CLIP	1	
34	68V-11351-00-00	.GASKET, CYLINDER	1	
35	67F-42761-00-94	STOPPER	2	
36	97095-06025-00	BOLT	4	
37	92995-06600-00	WASHER	4	
38	68F-44533-00-00	DAMPER, UPPER MOUNT RUBBER	2	
39	5GH-13440-00-00	ELEMENT ASSY, OIL CLEANER	1	
40	90401-20145-00	BOLT, UNION	1	

## Part Notes

F90TLRC 2004 / CYLINDER CRANKCASE 1

PART NUMBER	NOTE TEXT
90480-12072-00 	OEM: GROMMET used on F115TLR and F/LF115TXR 0410 Production and Earlier
90480-20M05-00 	OEM: This part number is among the Top 100 Most Popular Marine Maintenance Parts as of March 2014.
67F-11328-00-00 	OEM: This part number is among the Top 100 Most Popular Marine Maintenance Parts as of March 2014.

©2014 Yamaha Motor Corporation, U.S.A. All rights reserved.

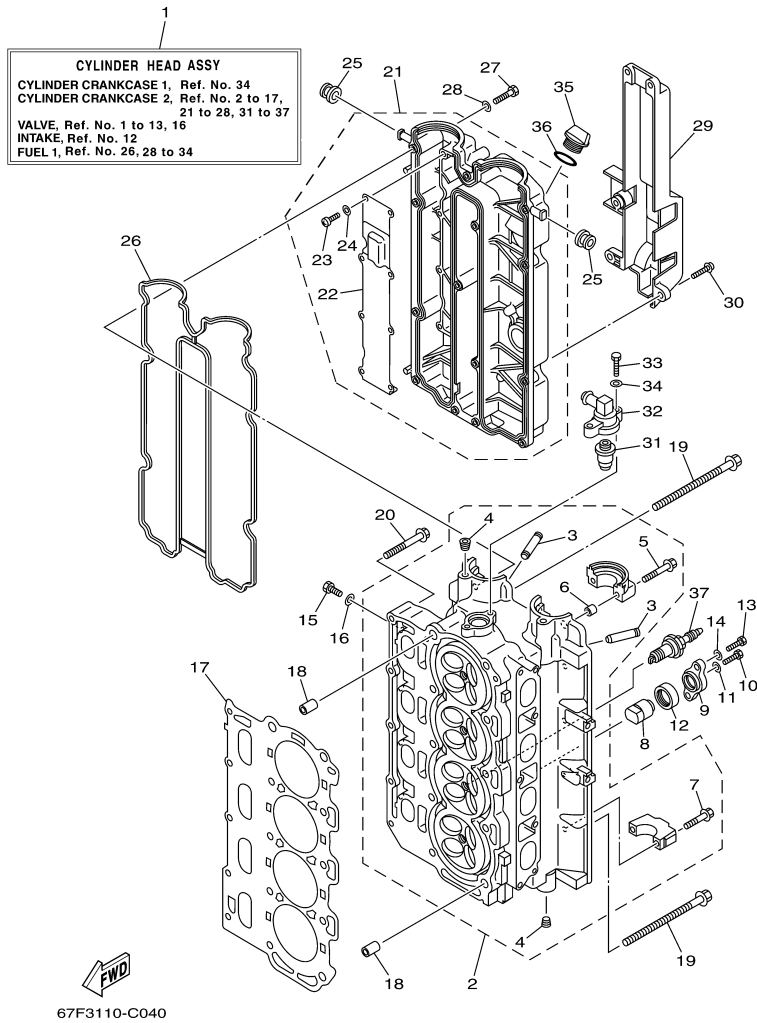


## Part List

F90TLRC 2004 / CRANKSHAFT PISTON

REF - NO	PART NUMBER	PART NAME	QUANTITY	REMARKS
1	67F-11411-00-00	CRANKSHAFT	1	
2	93102-48008-00	.OIL SEAL	1	
3	93101-48001-00	.OIL SEAL	1	
4	67F-11416-00-00	PLANE BEARING, CRANKSHAFT 1	4	UR GREEN
4	67F-11416-20-00	PLANE BEARING, CRANKSHAFT 1	4	UR RED
4	67F-11416-10-00	PLANE BEARING, CRANKSHAFT 1	4	UR BLUE
5	67F-11417-00-00	PLANE BEARING, CRANKSHAFT 2	5	UR YELLOW
5	67F-11417-30-00	PLANE BEARING, CRANKSHAFT 2	5	UR RED
5	67F-11417-20-00	PLANE BEARING, CRANKSHAFT 2	5	UR BLUE
5	67F-11417-10-00	PLANE BEARING, CRANKSHAFT 2	5	UR GREEN
6	67F-11418-00-00	PLANE BEARING, CRANKSHAFT 3	1	UR GREEN
6	67F-11418-20-00	PLANE BEARING, CRANKSHAFT 3	1	UR RED
6	67F-11418-10-00	PLANE BEARING, CRANKSHAFT 3	1	UR BLUE
7	60C-W1164-10-00	PISTON/CON-ROD ASSY (0.25MM OS)	4	AP
7	60C-W1164-00-00	PISTON/CON-ROD ASSY (STD)	4	
8	67F-11654-00-00	.BOLT, CONNECTING ROD	2	
9	60C-11604-00-00	PISTON RING SET (0.25MM O/S)	4	AP
9	60C-11603-00-00	PISTON RING SET (STD)	4	
10	67F-11656-00-00	PLANE BEARING, CONNECTING ROD	8	UR YELLOW
10	67F-11656-30-00	PLANE BEARING, CONNECTING ROD	8	UR RED
10	67F-11656-20-00	PLANE BEARING, CONNECTING ROD	8	UR BLUE
10	67F-11656-10-00	PLANE BEARING, CONNECTING ROD	8	UR GREEN

F90TLRC 2004 / CYLINDER CRANKCASE 2



©2014 Yamaha Motor Corporation, U.S.A. All rights reserved.



## Part List

F90TLRC 2004 / CYLINDER CRANKCASE 2

REF - NO	PART NUMBER	PART NAME	QUANTITY	REMARKS
1	67F-W009A-21-1S	CYLINDER HEAD COMPLETE	1	
2	67F-11110-11-94	CYLINDER HEAD ASSY	1	
3	67F-11133-10-00	.GUIDE, VALVE 1	16	
4	90344-51019-00	.PLUG, TAPER SCREW	4	
5	90119-07235-00	.BOLT/WASHER-CAM CAPS	4	
6	91809-08006-00	.PIN, DOWEL	4	
7	90119-07234-00	.BOLT, WITH WASHER	16	
8	68V-11325-00-00	ANODE	2	
9	67F-11327-00-94	COVER, ANODE	2	
10	97075-06020-00	BOLT	2	
11	92995-06600-00	WASHER	2	
12	67F-11328-00-00	.GROMMET, ANODE	2	
13	97075-08025-00	BOLT	4	
14	92995-08600-00	WASHER	4	
15	97095-08014-00	BOLT	4	
16	90430-08143-00	GASKET	4	
17	67F-11181-02-00	.GASKET, CYLINDER HEAD 1	1	
18	90387-10M08-00	COLLAR	2	
19	90105-10M89-00	BOLT, FLANGE	10	
20	90119-08M91-00	BOLT, WITH WASHER	5	
21	68V-11191-00-1S	COVER, CYLINDER HEAD 1	1	
22	67F-11168-00-00	.COVER, BREATHER	1	
23	98507-04008-00	.SCREW, PAN HEAD	8	
24	92907-04600-00	.WASHER	8	
25	90480-12072-00	GROMMET	2	
26	67F-11356-00-00	.SEAL, CYLINDER 2	1	
27	97095-06030-00	BOLT	14	
28	92995-06600-00	WASHER	14	
29	67F-11192-00-00	COVER, CYLINDER HEAD 2	1	
30	90159-06M29-00	SCREW, WITH WASHER	5	
31	67F-12411-00-00	THERMOSTAT	1	
32	68V-12413-00-1S	COVER, THERMOSTAT	1	
33	97095-06025-00	BOLT	2	
34	92995-06600-00	WASHER	2	
35	6G8-15363-00-00	PLUG, OIL	1	
36	93210-24M79-00	.O-RING	1	
37	NGK-LFR5A-11-00	PLUG, SPARK (NGK LFR5A-11)	4	

## Part Notes

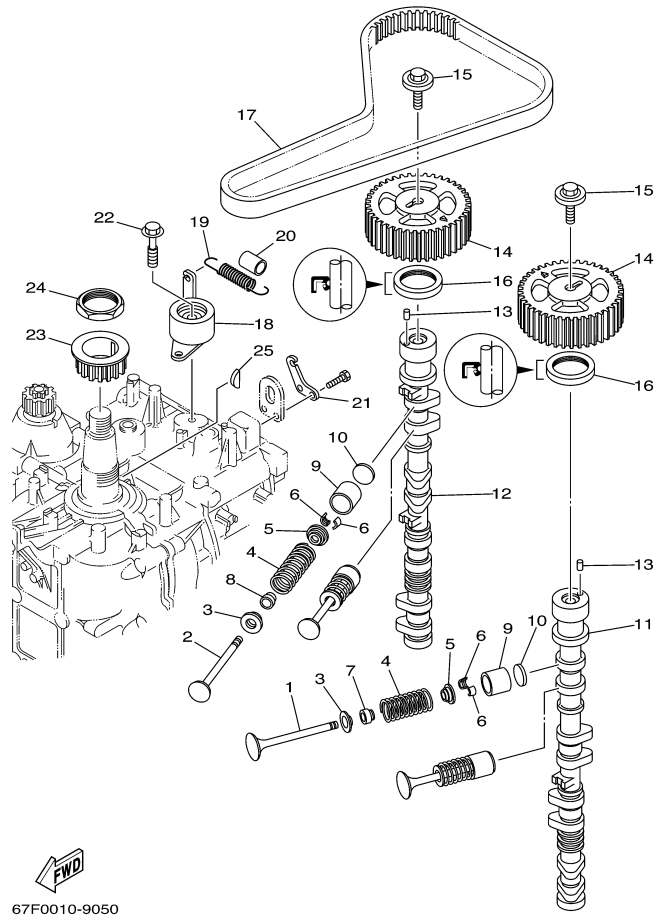
F90TLRC 2004 / CYLINDER CRANKCASE 2

PART NUMBER	NOTE TEXT
67F-11328-00-00 	OEM: This part number is among the Top 100 Most Popular Marine Maintenance Parts as of March 2014.
90480-12072-00 	OEM: GROMMET used on F115TLR and F/LF115TXR 0410 Production and Earlier

©2014 Yamaha Motor Corporation, U.S.A. All rights reserved.



F90TLRC 2004 / VALVE



67F0010-9050

©2014 Yamaha Motor Corporation, U.S.A. All rights reserved.

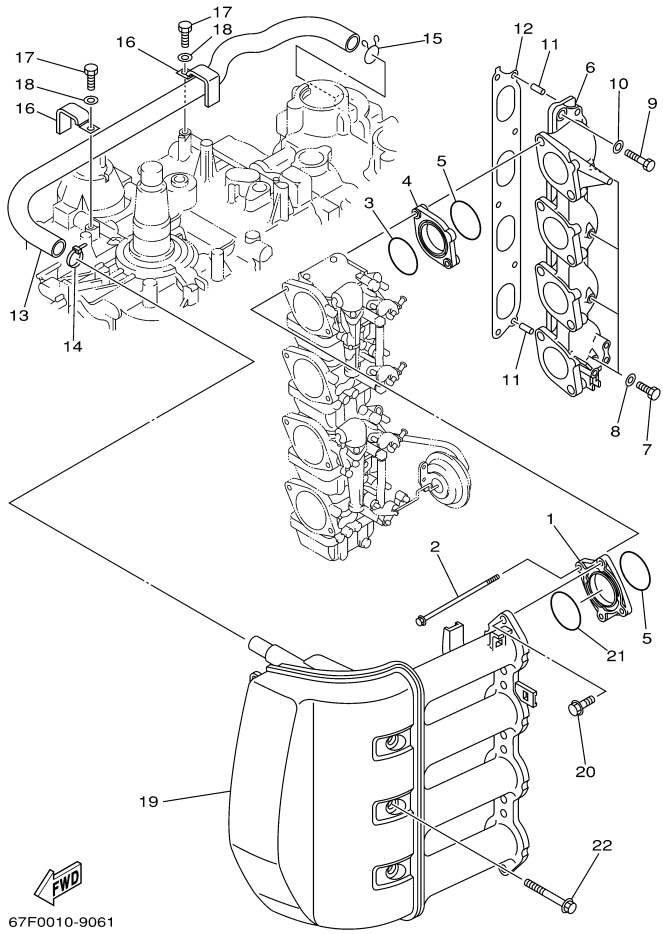
## Part List

F90TLRC 2004 / VALVE

REF - NO	PART NUMBER	PART NAME	QUANTITY	REMARKS
1	68V-12111-00-00	VALVE, INTAKE	8	
2	68V-12121-00-00	VALVE, EXHAUST	8	
3	67F-12116-00-00	SEAT, VALVE SPRING	16	
4	67F-12114-00-00	SPRING, VALVE OUTER	16	
5	67F-12117-00-00	RETAINER, VALVE SPRING	16	
6	67F-12118-00-00	COTTER, VALVE	32	
7	K0A-A3721-00-00	SEAL, VALVE STEM	8	
8	K0A-A3722-00-00	SEAL, VALVE STEM 2	8	
9	67F-12153-00-00	LIFTER, VALVE	16	
10	67F-12168-00-00	PAD, ADJUSTING (2.000)	16	UR
10	67F-12169-N0-00	PAD, ADJUSTING (3.300)	16	UR
10	67F-12168-20-00	PAD, ADJUSTING (2.050)	16	UR
10	67F-12168-30-00	PAD, ADJUSTING (2.075)	16	UR
10	67F-12168-40-00	PAD, ADJUSTING (2.100)	16	UR
10	67F-12168-50-00	PAD, ADJUSTING (2.125)	16	UR
10	67F-12168-60-00	PAD, ADJUSTING (2.150)	16	UR
10	67F-12168-70-00	PAD, ADJUSTING (2.175)	16	UR
10	67F-12168-80-00	PAD, ADJUSTING (2.200)	16	UR
10	67F-12168-A0-00	PAD, ADJUSTING (2.225)	16	UR
10	67F-12168-B0-00	PAD, ADJUSTING (2.250)	16	UR
10	67F-12168-C0-00	PAD, ADJUSTING (2.275)	16	UR
10	67F-12168-D0-00	PAD, ADJUSTING (2.300)	16	UR
10	67F-12168-E0-00	PAD, ADJUSTING (2.325)	16	UR
10	67F-12168-F0-00	PAD, ADJUSTING (2.350)	16	UR
10	67F-12168-G0-00	PAD, ADJUSTING (2.375)	16	UR
10	67F-12168-H0-00	PAD, ADJUSTING (2.400)	16	UR
10	67F-12168-J0-00	PAD, ADJUSTING (2.425)	16	UR
10	67F-12168-K0-00	PAD, ADJUSTING (2.450)	16	UR
10	67F-12168-L0-00	PAD, ADJUSTING (2.475)	16	UR
10	67F-12168-M0-00	PAD, ADJUSTING (2.500)	16	UR
10	67F-12168-N0-00	PAD,ADJUSTING (2.525)	16	UR
10	67F-12168-P0-00	PAD, ADJUSTING (2.550)	16	UR
10	67F-12168-R0-00	PAD, ADJUSTING (2.575)	16	UR
10	67F-12168-S0-00	PAD, ADJUSTING (2.600)	16	UR
10	67F-12168-T0-00	PAD, ADJUSTING (2.625)	16	UR
10	67F-12168-U0-00	PAD, ADJUSTING (2.650)	16	UR
10	67F-12168-V0-00	PAD, ADJUSTING (2.675)	16	UR
10	67F-12168-W0-00	PAD, ADJUSTING (2.700)	16	UR
10	67F-12168-X0-00	PAD, ADJUSTING (2.725)	16	UR
10	67F-12168-Y0-00	PAD, ADJUSTING (2.750)	16	UR
10	67F-12169-00-00	PAD, ADJUSTING (2.775)	16	UR
10	67F-12169-10-00	PAD, ADJUSTING (2.800)	16	UR
10	67F-12169-20-00	PAD, ADJUSTING (2.825)	16	UR
10	67F-12169-30-00	PAD, ADJUSTING (2.850)	16	UR
10	67F-12169-40-00	PAD, ADJUSTING (2.875)	16	UR
10	67F-12169-50-00	PAD, ADJUSTING (2.900)	16	UR
10	67F-12169-60-00	PAD, ADJUSTING (2.925)	16	UR
10	67F-12169-70-00	PAD, ADJUSTING (2.950)	16	UR
10	67F-12169-80-00	PAD, ADJUSTING (2.975)	16	UR
10	67F-12169-A0-00	PAD, ADJUSTING (3.000)	16	UR
10	67F-12169-B0-00	PAD, ADJUSTING (3.025)	16	UR
10	67F-12169-C0-00	PAD, ADJUSTING (3.050)	16	UR
10	67F-12169-D0-00	PAD, ADJUSTING (3.075)	16	UR
10	67F-12169-E0-00	PAD, ADJUSTING (3.100)	16	UR
10	67F-12169-F0-00	PAD, ADJUSTING (3.125)	16	UR
10	67F-12169-G0-00	PAD, ADJUSTING (3.150)	16	UR
10	67F-12169-H0-00	PAD, ADJUSTING (3.175)	16	UR
10	67F-12169-J0-00	PAD, ADJUSTING (3.200)	16	UR
10	67F-12169-K0-00	PAD, ADJUSTING (3.225)	16	UR
10	67F-12169-L0-00	PAD, ADJUSTING (3.250)	16	UR
10	67F-12169-M0-00	PAD, ADJUSTING (3.275)	16	UR

10	67F-12168-10-00	PAD, ADJUSTING (2.025)	16	UR
11	67F-12171-00-00	CAMSHAFT 1	1	
12	67F-12181-00-00	CAMSHAFT 2	1	
13	93605-10108-00	.PIN, DOWEL	2	
14	67F-11537-00-00	GEAR, DRIVEN	2	
15	90119-10M06-00	BOLT, WITH WASHER	2	
16	93102-38M59-00	.OIL SEAL	2	
17	67F-46241-00-00	BELT	1	
18	67F-11590-00-00	TENSIONER ASSY	1	
19	90506-16M39-00	SPRING, TENSION	1	
20	90445-15M03-00	HOSE (L23)	1	
21	67F-11595-00-00	PLATE, VALVE	1	
22	90119-10M72-00	BOLT, WITH WASHER	1	
23	67F-11536-00-00	GEAR, DRIVE	1	
24	90170-40003-00	NUT	1	
25	90280-04008-00	KEY, WOODRUFF	1	

F90TLRC 2004 / INTAKE



  
67F0010-9061

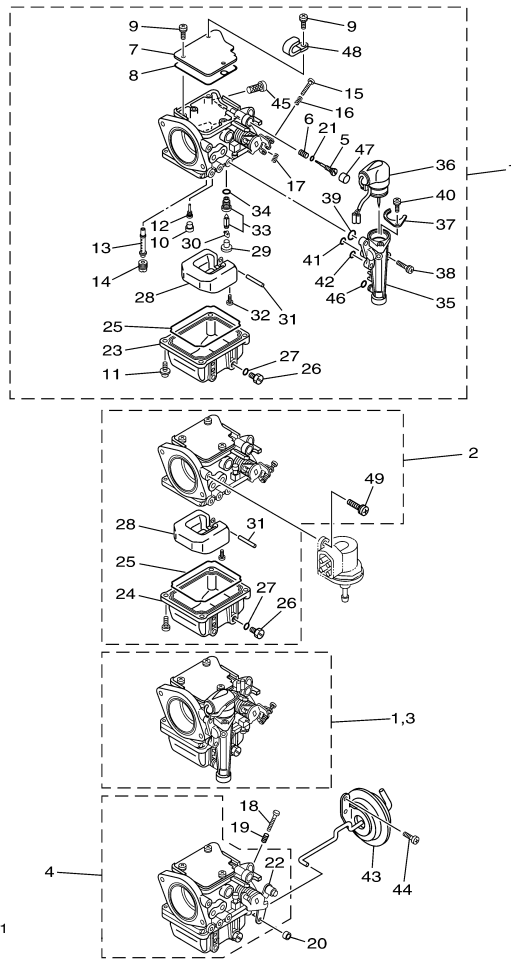
©2014 Yamaha Motor Corporation, U.S.A. All rights reserved.

## Part List

F90TLRC 2004 / INTAKE

REF - NO	PART NUMBER	PART NAME	QUANTITY	REMARKS
1	67F-14243-00-00	PLATE	4	
2	67F-14216-00-00	BOLT	8	
3	67F-14239-00-00	.SEAL	4	
4	67F-14271-00-00	INSULATOR	4	
5	93210-40M10-00	O-RING	8	
6	67F-13641-00-94	MANIFOLD 1	1	
7	97095-06010-00	BOLT	4	
8	90430-06014-00	.GASKET	4	
9	97075-08035-00	BOLT	5	
10	92995-08600-00	WASHER	5	
11	91690-50014-00	PIN, SPRING	2	
12	67F-13645-00-00	.GASKET, MANIFOLD 1	1	
13	67F-15373-00-00	PIPE, BREATHER	1	
14	90465-11M10-00	CLAMP	1	
15	90467-20M15-00	CLIP	1	
16	90465-12M03-00	CLAMP	2	
17	97095-06012-00	BOLT	2	
18	92995-06600-00	WASHER	2	
19	67F-14440-00-00	SILENCER ASSY, INTAKE	1	
20	90119-06M82-00	BOLT, WITH WASHER	8	
21	93210-41MJ2-00	.O-RING	4	
22	90119-08M59-00	BOLT, WITH WASHER	3	

F90TLRC 2004 / CARBURETOR 1



  
67F6100F0701


Part List

F90TLRC 2004 / CARBURETOR 1

REF - NO	PART NUMBER	PART NAME	QUANTITY	REMARKS
1	67F-14901-31-00	CARBURETOR ASSY 1	1	UR F90-#1
2	67F-14902-31-00	CARBURETOR ASSY 2	1	UR F90-#2
3	67F-14903-31-00	CARBURETOR ASSY 3	1	UR F90-#3
4	67F-14904-31-00	CARBURETOR ASSY 4	1	UR F90-#4
5	67F-14923-00-00	.SCREW, PILOT	4	
6	697-14555-00-00	.SPRING	4	
7	67F-14146-00-00	.PLATE	4	
8	67F-14147-00-00	.O-RING	4	
9	97803-04010-00	.SCREW, PAN HEAD	12	
10	676-14966-00-00	.CAP	4	
11	97980-04114-00	.SCREW, WITH WASHER	16	
12	67F-1494F-04-00	.JET (#42)	4	UR F90
13	67F-14947-10-00	.JET, NEEDLE	4	UR F90
14	67F-14943-32-00	.JET, MAIN (#125)	4	UR F90
15	67F-14567-00-00	..SCREW	3	#1, 2, 3
16	67F-14555-00-00	..SPRING	3	#1, 2, 3
17	67F-14556-00-00	..SPRING	3	#1, 2, 3
18	63V-14523-00-00	.SCREW, STOP	1	#4
19	90501-10326-00	.SPRING, COMPRESSION	1	#4
20	67F-14998-00-00	BUSH	1	#4
21	67F-14397-00-00	.O-RING	4	
22	6H2-14578-00-00	.COLLAR	1	#4
23	67F-14980-00-00	..BODY, FLOAT CHAMBER	2	#1, 3
24	67F-14980-10-00	..BODY, FLOAT CHAMBER	2	#2, 4
25	67F-14984-00-00	.GASKET, FLOAT CHAMBER	4	
26	6H3-14992-00-00	.SCREW, DRAIN	4	
27	93210-04230-00	.O-RING	4	
28	6H4-14985-01-00	.FLOAT	4	
29	676-14186-00-00	.PIN, FLOAT	4	
30	67F-14159-00-00	.CLIP	4	
31	6H4-14548-00-00	.PIN, FLOAT ARM	4	
32	98580-04008-00	.SCREW, PAN HEAD	4	
33	60C-14590-01-00	.NEEDLE VALVE ASSY	4	
34	93210-04228-00	.O-RING	4	
35	67F-14378-00-00	..BODY, STARTER	2	#1, 3
36	67F-14380-01-00	..PRIME STARTER ASSY	2	#1, 3
37	67F-14178-00-00	..PLATE, STARTER LEVER	2	#1, 3
38	67F-14592-00-00	..SCREW	6	#1, 3
39	67F-14398-00-00	..O-RING	2	#1, 3
40	67F-14565-00-00	..SCREW	2	#1, 3
41	67F-14398-10-00	..O-RING	2	#1, 3
42	67F-14398-20-00	..O-RING	2	#1, 3
43	67F-14369-00-00	DIAPHRAGM ASSY 2	1	#4
44	67F-14325-00-00	SCREW, PAN HEAD	2	#4
45	67F-14371-01-00	.ELEMENT, FILTER	4	
46	67F-14398-30-00	..O-RING	2	#1, 3
47	67F-14355-00-00	.PLUG	4	
48	67F-14255-00-00	.PLATE	1	F90
49	67F-14567-00-00	.SCREW	2	F90

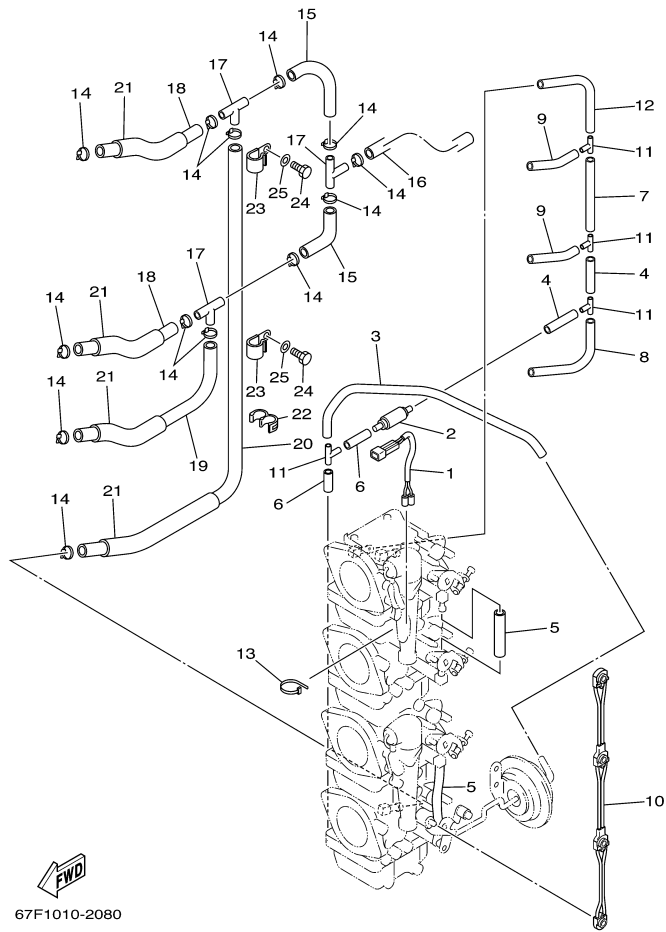
Part Notes

F90TLRC 2004 / CARBURETOR 1

PART NUMBER	NOTE TEXT
67F-14380-01-00	 OEM: The O-Ring for sealing this part to the carburetor body is not shown separately. The Part Number for the O-Ring is 93210-17001-00.

©2014 Yamaha Motor Corporation, U.S.A. All rights reserved.

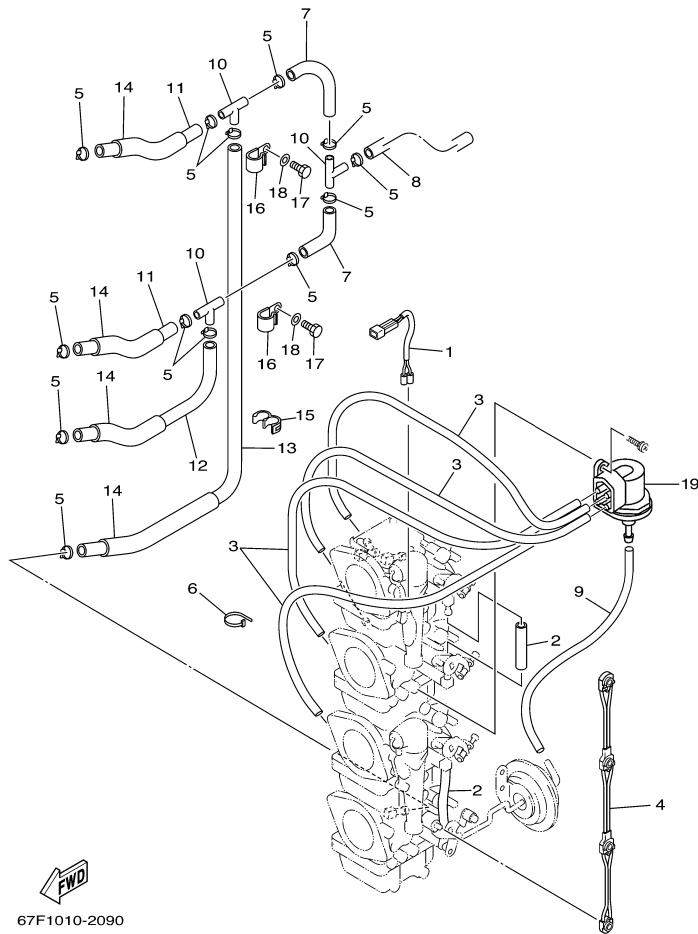
F90TLRC 2004 / CARBURETOR 2



67F1010-2080



F90TLRC 2004 / CARBURETOR 3



67F1010-2090

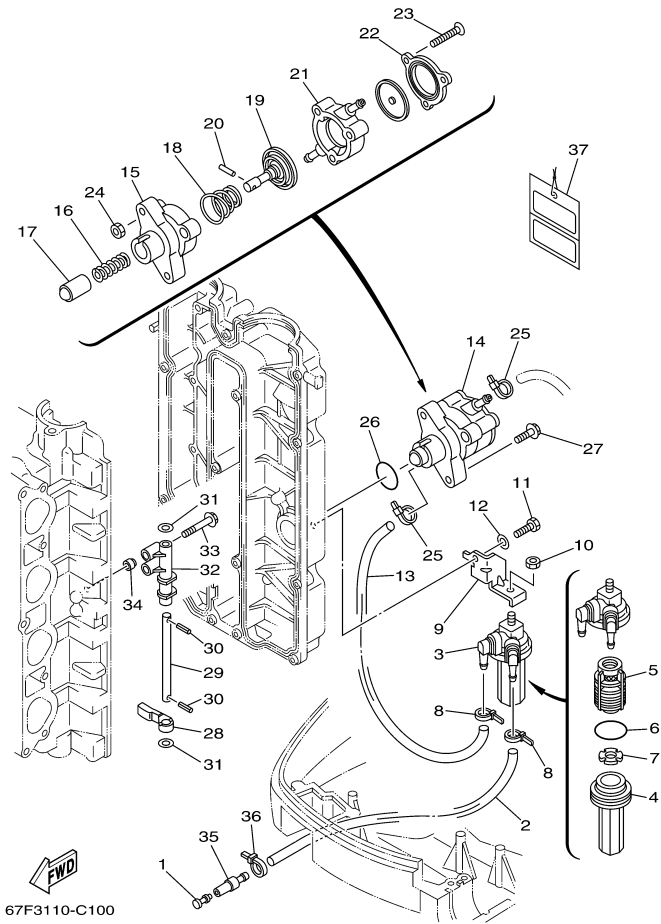
©2014 Yamaha Motor Corporation, U.S.A. All rights reserved.

## Part List

F90TLRC 2004 / CARBURETOR 3

REF - NO	PART NUMBER	PART NAME	QUANTITY	REMARKS
1	67F-1412A-00-00	WIRE HARNESS ASSY	1	F90
2	67F-14349-20-00	PIPE	2	F90
3	67F-14349-00-00	PIPE	4	F90
4	67F-14585-00-00	ROD, CHOKE	1	F90
5	68F-24356-00-00	.CLIP, PIPE 1	13	F90
6	90465-11M59-00	CLAMP	3	F90
7	60C-14294-00-00	HOSE	2	F90
8	60C-14298-00-00	PIPE	1	F90
9	67F-14348-00-00	PIPE 1	1	F90
10	688-24378-00-00	PIPE, JOINT 3	3	F90
11	90445-10M16-00	HOSE (L120)	2	F90
12	90445-10MG6-00	HOSE (L180)	1	F90
13	90445-10MG7-00	HOSE (L350)	1	F90
14	90445-16M07-00	HOSE (L80)	4	F90
15	90464-10M57-00	CLAMP	1	F90
16	90465-08M83-00	CLAMP	2	F90
17	97095-06012-00	BOLT	2	F90
18	92995-06600-00	WASHER	2	F90
19	67F-14860-00-00	CHECK VALVE BODY ASSY	1	F90

F90TLRC 2004 / FUEL 1



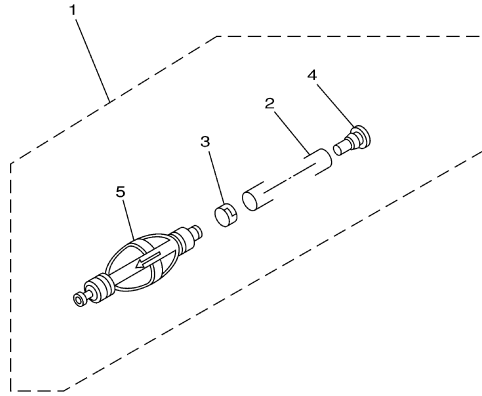
©2014 Yamaha Motor Corporation, U.S.A. All rights reserved.

## Part List

F90TLRC 2004 / FUEL 1

REF - NO	PART NUMBER	PART NAME	QUANTITY	REMARKS
1	689-85547-00-00	DAMPER	1	
2	90445-13M37-00	HOSE (L2300)	1	
3	60C-24560-00-00	FILTER ASSY	1	
4	68V-24521-01-00	.CUP, FILTER	1	
5	61N-24563-00-00	.ELEMENT, FILTER	1	
6	93210-32738-00	.O-RING	1	
7	68V-24469-01-00	.FLOAT, WATER LEVEL	1	
8	90465-11M10-00	CLAMP	2	
9	68V-24566-00-00	BRACKET, FILTER	1	
10	95380-08600-00	NUT	1	
11	97095-06016-00	BOLT	1	
12	92995-06600-00	WASHER	1	
13	90445-13M11-00	HOSE (L300)	1	
14	68V-24410-00-00	FUEL PUMP ASSY	1	
15	68V-24412-00-00	.BODY 1	1	
16	68V-24454-00-00	.SPRING	1	
17	68V-13131-00-00	.PLUNGER	1	
18	68V-24423-00-00	.SPRING, DIAPHRAGM	1	
19	68V-24411-00-00	.DIAPHRAGM	1	
20	68V-24374-00-00	.PIN	1	
21	68V-24413-00-00	.BODY 2	1	
22	68V-24414-00-00	.BODY 3	1	
23	68V-24444-00-00	.SCREW	3	
24	68V-24149-00-00	.NUT	3	
25	90465-11M10-00	CLAMP	2	
26	93210-30682-00	.O-RING	1	
27	90119-06M83-00	BOLT, WITH WASHER	2	
28	67F-24575-00-00	LEVER, FUEL CHANGE	1	
29	68V-24495-00-00	SHAFT	1	
30	91609-25014-00	PIN, SPRING	2	
31	90201-08M12-00	.WASHER, PLATE	2	
32	67F-24491-00-00	BRACKET, FUEL PUMP	1	
33	90119-07235-00	.BOLT/WASHER-CAM CAPS	2	
34	91809-08006-00	.PIN, DOWEL	2	
35	6R3-24377-10-00	PIPE, JOINT 2	1	
36	90465-11M10-00	CLAMP	1	
37	61H-2819R-31-00	TAG, WARNING	1	

F90TLRC 2004 / FUEL 2



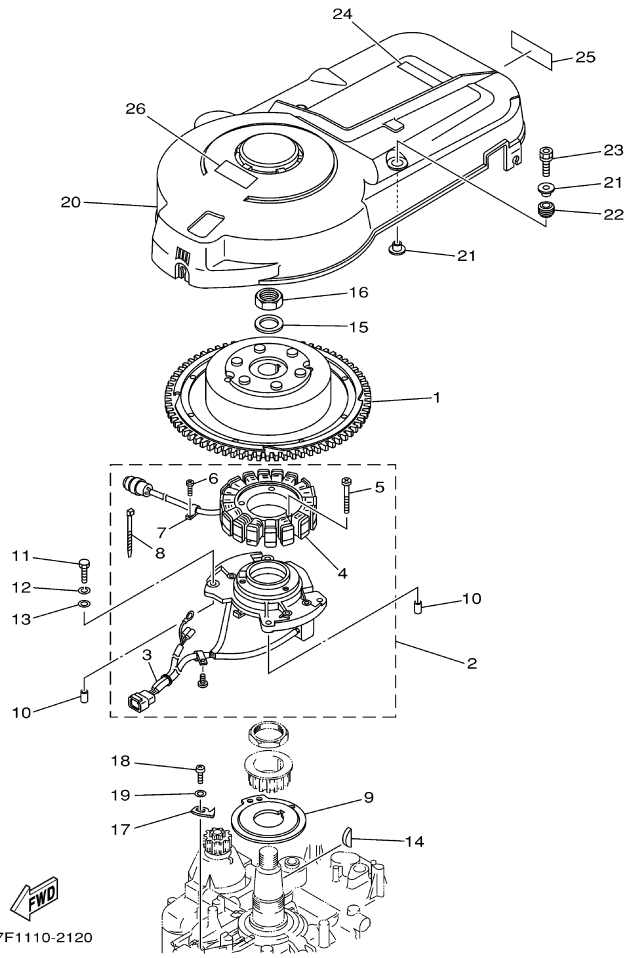
©2014 Yamaha Motor Corporation, U.S.A. All rights reserved.

## Part List

F90TLRC 2004 / FUEL 2

REF - NO	PART NUMBER	PART NAME	QUANTITY	REMARKS
1	6Y2-24307-50-00	FUEL PIPE COMP. 2	1	AP
2	90445-13M01-00	.HOSE (L2050)	1	
3	6E5-24351-51-00	.BAND 1	1	
4	90480-06M19-00	.GROMMET	1	
5	6Y2-24360-60-00	.PRIMER PUMP ASSY	1	

F90TLRC 2004 / GENERATOR



©2014 Yamaha Motor Corporation, U.S.A. All rights reserved.

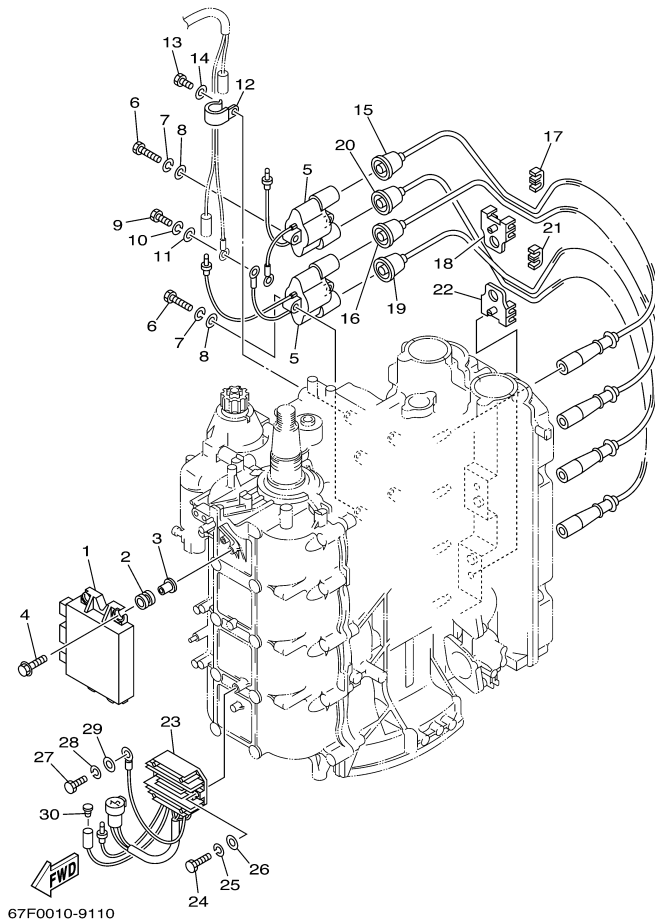
## Part List

F90TLRC 2004 / GENERATOR

REF - NO	PART NUMBER	PART NAME	QUANTITY	REMARKS
1	67F-85550-00-00	ROTOR ASSY	1	
2	67F-85560-01-00	BASE ASSY	1	
3	67F-85580-00-00	.COIL, PULSER	1	
4	67F-85510-01-00	.STATOR ASSY	1	
5	63D-81345-20-00	.SCREW, WITH WASHER (M6X30)	3	
6	97607-04110-00	.SCREW, WITH WASHER	1	
7	445-81328-20-00	.CLAMP	1	
8	66T-81328-00-00	.CLAMP	1	
9	67F-81673-00-00	ROTOR	1	
10	99530-08012-00	PIN, DOWEL	2	
11	97095-06030-00	BOLT	4	
12	92995-06100-00	WASHER, SPRING	4	
13	92995-06600-00	WASHER	4	
14	90280-05015-00	KEY, WOODRUFF	1	
15	90201-24014-00	WASHER, PLATE	1	
16	90179-24002-00	NUT	1	
17	67F-81332-00-00	PLATE, TIMING	1	
18	97885-06010-00	SCREW, PAN HEAD	1	
19	92995-06600-00	WASHER	1	
20	67F-81337-01-00	COVER, FLYWHEEL	1	
21	90387-06M71-00	COLLAR	4	
22	90480-15M31-00	GROMMET	2	
23	90119-06M92-00	BOLT, WITH WASHER	2	
24	67F-12138-40-00	MARK, CAUTION	1	
25	68V-13437-40-00	MARK, CAUTION	1	
26	6A1-83625-41-00	MARK 5	1	



F90TLRC 2004 / ELECTRICAL 1



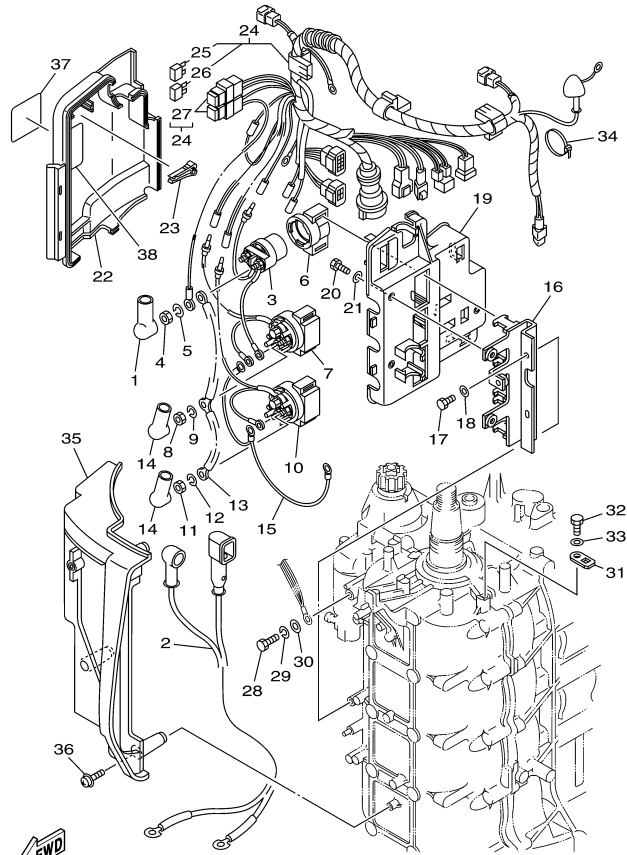
©2014 Yamaha Motor Corporation, U.S.A. All rights reserved.

## Part List

F90TLRC 2004 / ELECTRICAL 1

REF - NO	PART NUMBER	PART NAME	QUANTITY	REMARKS
1	67F-85540-02-00	C.D.I. UNIT ASSY	1	UR F90
2	68V-82317-00-00	DAMPER, IGNITION COIL	4	
3	624-42542-00-00	PIPE	4	
4	90119-06M59-00	BOLT, WITH WASHER	4	
5	67F-85570-00-00	IGNITION COIL ASSY	2	
6	97095-06030-00	BOLT	4	
7	92995-06100-00	WASHER, SPRING	4	
8	92995-06600-00	WASHER	4	
9	97095-06020-00	BOLT	1	
10	92995-06100-00	WASHER, SPRING	1	
11	92995-06600-00	WASHER	1	
12	90465-06M86-00	.CLAMP	1	
13	97095-06012-00	BOLT	1	
14	92995-06600-00	WASHER	1	
15	67F-82341-00-00	CORD, HIGH TENSION 1	1	#1
16	67F-82342-00-00	CORD, HIGH TENSION 2	1	#2
17	67F-82361-00-00	CLAMP, CORD	1	
18	67F-82362-00-00	CLAMP, CORD 2	1	
19	67F-82343-00-00	CORD, HIGH TENSION 3	1	#3
20	67F-82344-00-00	CORD, HIGH TENSION 4	1	#4
21	67F-82361-00-00	CLAMP, CORD	1	
22	67F-82362-00-00	CLAMP, CORD 2	1	
23	67F-81960-11-00	RECTIFIER & REGULATOR ASSY	1	
24	97095-06025-00	BOLT	2	
25	92995-06100-00	WASHER, SPRING	2	
26	92995-06600-00	WASHER	2	
27	97095-06020-00	BOLT	1	
28	92995-06100-00	WASHER, SPRING	1	
29	92995-06600-00	WASHER	1	
30	703-82119-00-00	COVER, LEAD WIRE	1	

F90TLRC 2004 / ELECTRICAL 2



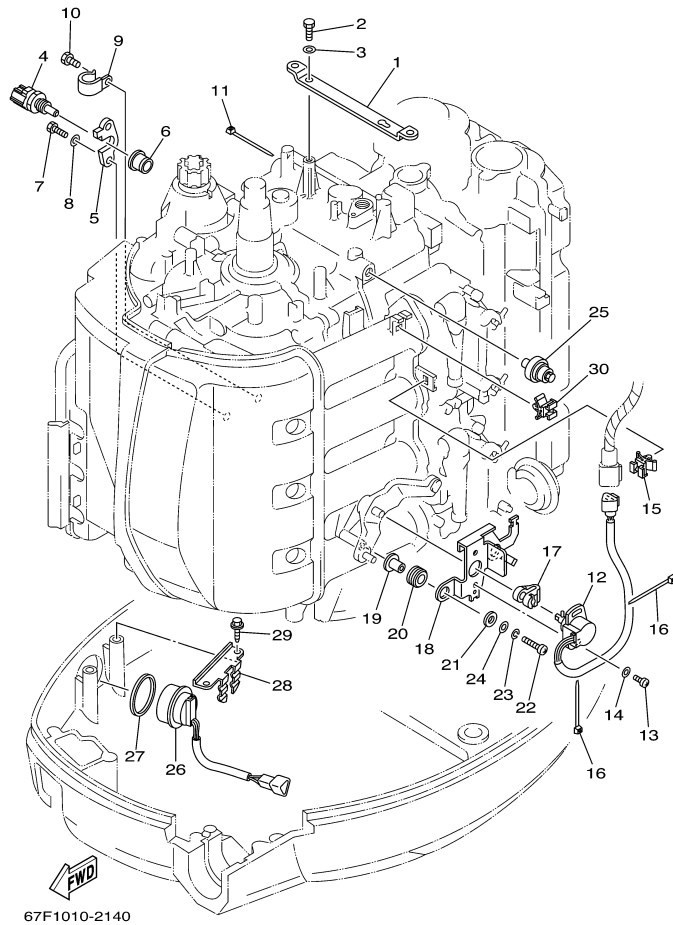
67F3110-C140

## Part List

F90TLRC 2004 / ELECTRICAL 2

REF - NO	PART NUMBER	PART NAME	QUANTITY	REMARKS
1	682-82119-01-00	COVER, LEAD WIRE	2	
2	67F-82105-00-00	BATTERY CABLE	1	
3	6G1-8194A-10-00	RELAY	1	
4	90170-06M30-00	NUT	2	
5	90204-06M00-00	WASHER, SPRING	2	
6	6G1-81952-00-00	HOLDER, RELAY	1	
7	6E5-8195B-01-00	RELAY ASSY	1	
8	90170-06M30-00	NUT	3	
9	90204-06M00-00	WASHER, SPRING	3	
10	6E5-8195C-01-00	RELAY ASSY	1	
11	90170-06M30-00	NUT	3	
12	90204-06M00-00	WASHER, SPRING	3	
13	66T-87149-00-00	CONNECTOR	1	
14	6G5-82119-00-00	COVER, LEAD WIRE	2	
15	67F-82116-00-00	WIRE, MINUS LEAD	1	
16	67F-81953-00-00	STAY, RELAY	1	
17	97095-06016-00	BOLT	2	
18	92995-06600-00	WASHER	2	
19	67F-81948-00-00	BRACKET	1	
20	97095-06016-00	BOLT	3	
21	92995-06600-00	WASHER	3	
22	67F-81942-00-00	COVER	1	
23	67F-2812A-00-00	.PULLER, FUSE	1	
24	67F-82590-10-00	WIRE HARNESS ASSY	1	
25	67F-82151-00-00	.FUSE (20A)	2	
26	67F-82151-10-00	.FUSE (30A)	2	
27	67F-8215B-00-00	.CAP (BLACK)	2	
28	97095-06020-00	BOLT	1	
29	92995-06100-00	WASHER, SPRING	1	
30	92995-06600-00	WASHER	1	
31	67F-82588-00-00	PLATE	3	
32	97095-06012-00	BOLT	3	
33	92995-06600-00	WASHER	3	
34	90465-13M11-00	CLAMP	1	
35	67F-81916-01-00	COVER, TERMINAL	1	
36	90159-06M29-00	SCREW, WITH WASHER	3	
37	67F-83626-00-00	MARK 6	1	
38	67F-81919-00-00	GRAPHIC, REGULATOR	1	

F90TLRC 2004 / ELECTRICAL 3



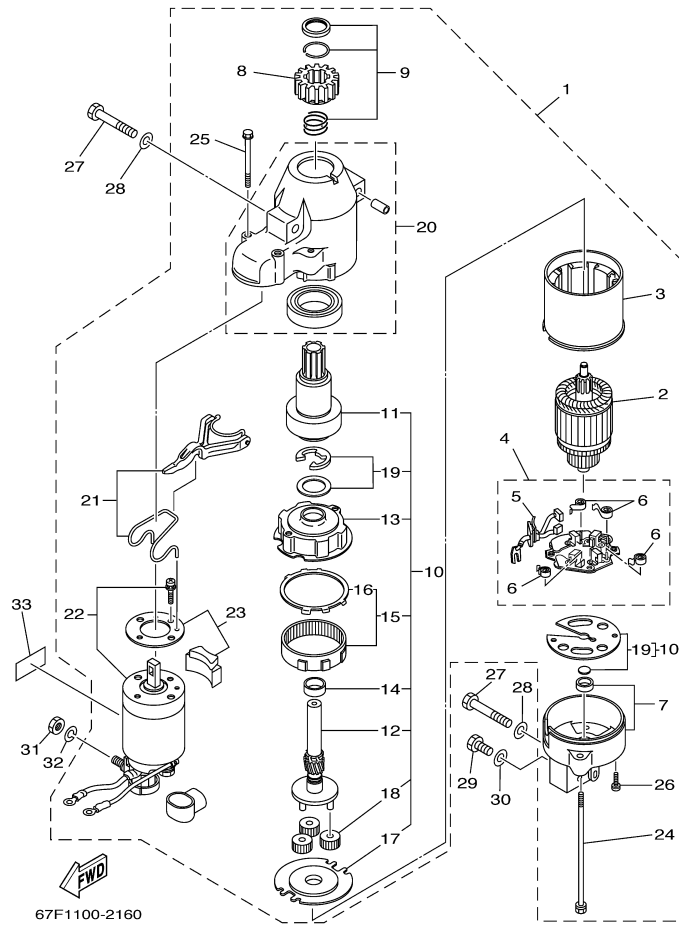
©2014 Yamaha Motor Corporation, U.S.A. All rights reserved.

## Part List

F90TLRC 2004 / ELECTRICAL 3

REF - NO	PART NUMBER	PART NAME	QUANTITY	REMARKS
1	67F-8132G-01-00	PLATE	1	
2	97095-06016-00	BOLT	2	
3	92995-06600-00	WASHER	2	
4	67F-85790-00-00	THERMOSENSOR ASSY	1	
5	67F-85757-00-00	RETAINER	1	
6	68V-85753-00-00	.GASKET, SENDER UNIT	1	
7	97095-06016-00	BOLT	2	
8	92995-06600-00	WASHER	2	
9	90465-06M86-00	.CLAMP	1	
10	97095-06010-00	BOLT	1	
11	90465-11M10-00	CLAMP	1	
12	61A-85885-00-00	THROTTLE SENSOR ASSY	1	
13	97885-05010-00	.SCREW, PAN HEAD	2	
14	92995-05600-00	WASHER	2	
15	90464-09M47-00	CLAMP	1	
16	90465-11M10-00	CLAMP	2	
17	6K7-14573-00-00	LEVER	1	
18	67F-83635-00-00	BRACKET	1	
19	90387-05M00-00	COLLAR	2	
20	90480-10M23-00	GROMMET	2	
21	90201-05M03-00	WASHER, PLATE	2	
22	97885-05025-00	SCREW, PAN HEAD	2	
23	92995-05100-00	WASHER	2	
24	92995-05600-00	WASHER	2	
25	68V-82504-00-00	OIL PRESSURE SWITCH ASSY	1	
26	63D-82563-10-00	TRIM & TILT SWITCH ASSY	1	
27	6E5-82587-00-00	GASKET	1	
28	67F-83614-00-00	BRACKET	1	
29	90109-06M86-00	BOLT	2	
30	90464-09M47-00	CLAMP	1	

F90TLRC 2004 / STARTING MOTOR



©2014 Yamaha Motor Corporation, U.S.A. All rights reserved.

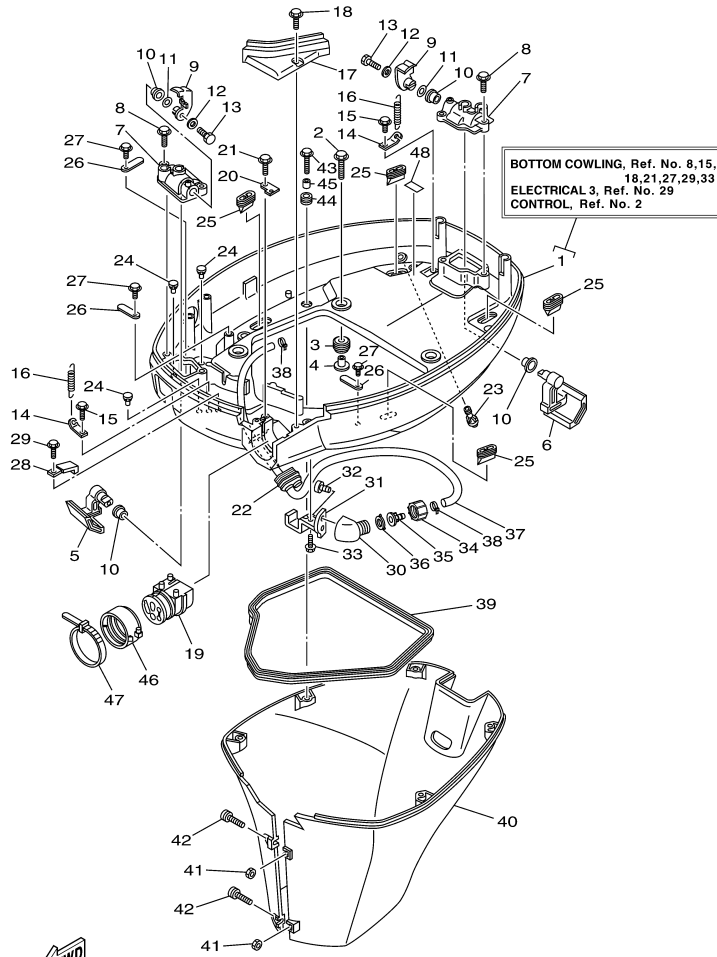
## Part List

F90TLRC 2004 / STARTING MOTOR

REF - NO	PART NUMBER	PART NAME	QUANTITY	REMARKS
1	67F-81800-02-00	STARTING MOTOR ASSY	1	
2	67F-81850-00-00	.ARMATURE ASSY	1	
3	67F-81810-00-00	.STATOR ASSY	1	
4	67F-81840-00-00	.BRUSH HOLDER ASSY	1	
5	67F-81801-00-00	..BRUSH SET	1	
6	67F-81813-00-00	..SPRING, BRUSH	4	
7	67F-81820-00-00	.REAR BRACKET ASSY	1	
8	67F-81808-00-00	.PINION ASSY	1	
9	67F-81857-00-00	.PINION STOPPER SET	1	
10	67F-81807-00-00	.GEAR ASSY, STARTING MOTOR	1	
11	67F-81832-00-00	..CLUTCH, OVER RUN	1	
12	67F-81836-00-00	..SHAFT, PINION	1	
13	67F-81821-00-00	..BRACKET, CENTER 1	1	
14	67F-81841-00-00	..BEARING	1	
15	67F-81891-00-00	..GEAR, RING	1	
16	67F-8183R-00-00	...GASKET	1	
17	67F-81830-00-00	..BRACKET, CENTER 2	1	
18	67F-8183T-00-00	..GEAR, IDLER	3	
19	67F-81809-00-00	..WASHER KIT	1	
20	67F-81842-00-00	.COVER	1	
21	67F-81839-00-00	.LEVER ASSY	1	
22	67F-81941-01-00	.STARTER RELAY ASSY	1	
23	67F-81869-00-00	.COVER, DUST	1	
24	6K7-81826-10-00	.BOLT	2	
25	67F-81828-00-00	.SCREW 2	2	
26	67F-81846-00-00	.SCREW	2	
27	97013-08045-00	BOLT	3	
28	92903-08600-00	WASHER, PLATE	3	
29	97013-08016-00	BOLT	1	
30	92903-08600-00	WASHER, PLATE	1	
31	95333-08600-00	NUT	1	
32	92903-08100-00	WASHER, SPRING	1	
33	67F-83627-01-00	LABEL, CAUTION 7	1	



F90TLRC 2004 / BOTTOM COWLING



67F3110-C170

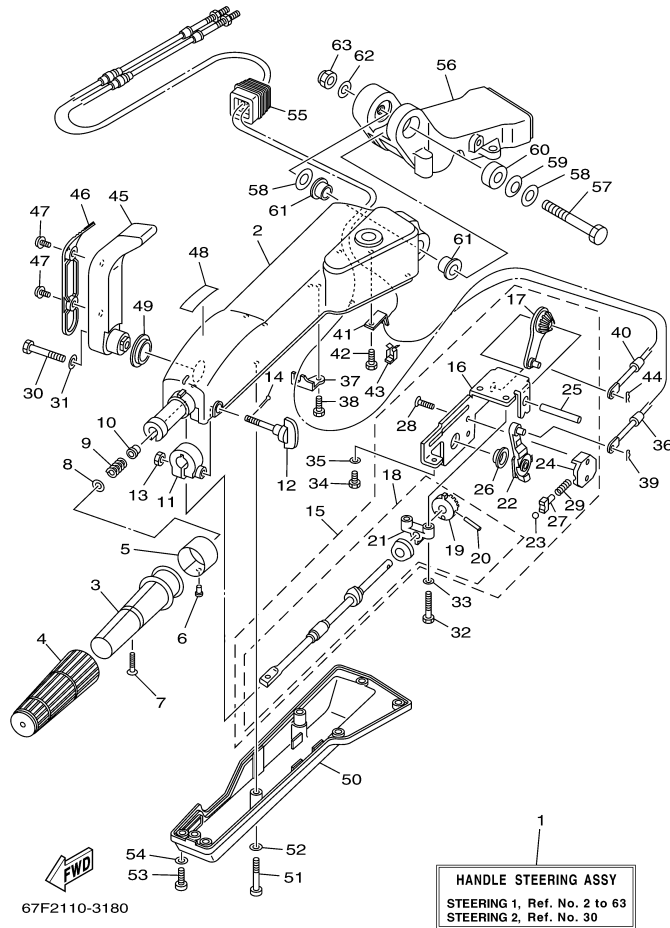
©2014 Yamaha Motor Corporation, U.S.A. All rights reserved.

## Part List

F90TLRC 2004 / BOTTOM COWLING

REF - NO	PART NUMBER	PART NAME	QUANTITY	REMARKS
1	67F-42710-01-4D	BOTTOM COWLING ASSY	1	
2	90119-08M22-00	BOLT, WITH WASHER	4	
3	90480-22M15-00	GROMMET	4	
4	90387-08M37-00	COLLAR	4	
5	67F-42815-00-4D	LEVER, CLAMP	1	
6	67F-42816-00-4D	LEVER, CLAMP	1	
7	67F-42828-00-5B	PLATE, CLAMP	2	
8	90109-06M82-00	BOLT	4	
9	67F-42818-00-00	LEVER, CLAMP	2	
10	90386-15M73-00	BUSH	4	
11	90206-15M18-00	WASHER, WAVE	2	
12	90201-06068-00	WASHER, PLATE	2	
13	97095-06016-00	BOLT	2	
14	64D-43144-00-00	HOOK, SPRING	2	
15	90109-06M86-00	BOLT	2	
16	90506-16M34-00	SPRING, TENSION	2	
17	67F-42738-00-5B	PLATE, FITTING	1	
18	90109-06M96-00	BOLT	2	
19	68V-42725-00-00	GROMMET	1	
20	67F-42756-00-00	STAY, CLAMP	1	
21	90109-06M86-00	BOLT	1	
22	6H1-42726-21-00	GROMMET	1	FLUSHING KIT
23	6H3-44391-01-00	NIPPLE, HOSE	1	
24	6H4-42748-00-00	GROMMET	3	
25	67F-42717-00-00	RUBBER, SEAL 2	4	
26	6E5-82588-00-00	PLATE	3	
27	90109-06M81-00	BOLT	3	
28	90465-08M23-00	CLAMP	1	
29	90109-06M86-00	BOLT	1	
30	68T-12572-00-00	ADAPTER	1	FLUSHING KIT
31	67F-12535-00-00	PLATE	1	FLUSHING KIT
32	90167-06002-00	SCREW, TAPPING	2	FLUSHING KIT
33	90109-06M86-00	BOLT	1	FLUSHING KIT
34	6R3-12581-00-00	JOINT, HOSE 1	1	FLUSHING KIT
35	6R3-12582-00-00	JOINT, HOSE 2	1	FLUSHING KIT
36	6R3-12583-00-00	GASKET, HOSE JOINT	1	FLUSHING KIT
37	67F-24312-00-00	PIPE 2	1	FLUSHING KIT
38	90465-11M10-00	CLAMP	2	FLUSHING KIT
39	61A-42716-00-00	RUBBER, SEAL 1	1	
40	67F-42741-00-4D	APRON	1	
41	95380-06600-00	NUT, HEXAGON	2	
42	90159-06M28-00	SCREW, WITH WASHER	2	
43	90109-06M80-00	.BOLT	5	
44	90480-13M24-00	GROMMET	5	
45	90387-06M43-00	COLLAR	5	
46	68F-42753-00-00	FASTNER	1	
47	90464-20258-00	CLAMP	1	
48	67F-82377-00-00	LABEL	1	

F90TLRC 2004 / STEERING 1



©2014 Yamaha Motor Corporation, U.S.A. All rights reserved.

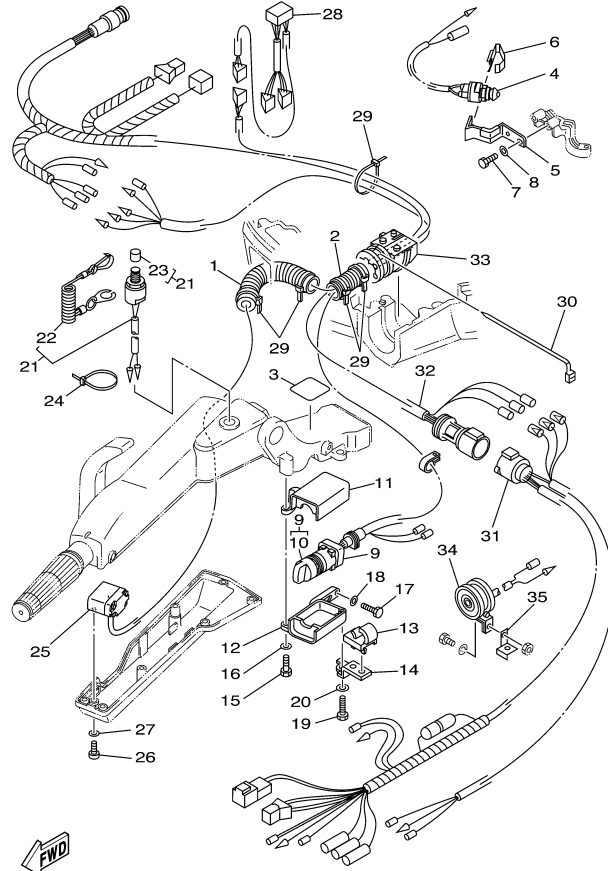
## Part List

F90TLRC 2004 / STEERING 1

REF - NO	PART NUMBER	PART NAME	QUANTITY	REMARKS
1	67G-W0084-12-4D	HANDLE STEERING ASSY	1	AP
2	67G-42111-00-4D	HANDLE, STEERING	1	
3	664-42119-00-00	GRIP, STEERING HANDLE	1	
4	6G1-42177-00-00	RUBBER, HANDLE	1	
5	6H2-42137-00-00	INDICATOR, THROTTLE	1	
6	90269-02M09-00	RIVET	1	
7	90149-05M13-00	SCREW	1	
8	92903-10600-00	WASHER, PLATE	1	
9	90501-23215-00	SPRING, COMPRESSION	1	
10	90386-08032-00	BUSH	1	
11	63D-42126-00-00	FRICTION, STEERING HANDLE GRIP	1	
12	63D-48154-00-00	KNOB, THROTTLE	1	
13	95380-06600-00	NUT, HEXAGON	1	
14	91490-20010-00	PIN. COTTER	1	
15	67G-44100-10-00	SHIFT LINK ASSY	1	
16	67G-44104-00-00	.PLATE COMP	1	
17	67G-48261-00-00	.ARM, THROTTLE	1	
18	67G-42115-10-00	.SHAFT, STEERING HANDLE	1	
19	650-42152-00-94	..GEAR	1	
20	91690-30025-00	..PIN, SPRING	1	
21	67G-42159-00-00	..STAY	1	
22	67G-44113-00-00	.CAM PLATE, HANDLE	1	
23	63D-48236-00-00	.ROLLER, DETENT	1	
24	63D-48119-00-00	.COVER	1	
25	67G-42153-00-00	.SHAFT, THROTTLE CONTROL	1	
26	67G-44132-00-00	.BUSHING	1	
27	63D-48237-00-00	.ADAPTER	1	
28	98785-05014-00	.SCREW, FLAT HEAD	2	
29	63D-48238-00-00	.SPRING, DETENT	1	
30	97095-08040-00	BOLT	1	
31	92995-08600-00	WASHER	1	
32	97095-06030-00	BOLT	2	
33	92995-06600-00	WASHER	2	
34	97095-06014-00	BOLT	1	
35	92995-06600-00	WASHER	1	
36	67G-48321-10-00	CABLE	1	
37	67G-48531-00-00	BRACEKT, REMOTE CONTROL 1	1	
38	97095-06014-00	BOLT	1	
39	90468-10005-00	CLIP	1	
40	67G-26301-10-00	THROTTLE CABLE ASSY	1	
41	66R-48538-00-00	CLAMP, CABLE 1	1	
42	97095-06014-00	BOLT	1	
43	63D-48538-00-00	CLAMP, CABLE 1	1	
44	90468-10005-00	CLIP	1	
45	67G-44159-00-4D	HANDLE, GEAR SHIFT	1	
46	67G-44173-00-00	LEVER, SHIFT CONTROL	1	
47	90159-06M18-00	SCREW, WITH WASHER	2	
48	6G8-44191-00-00	INDICATOR, SHIFT	1	
49	90386-26MA3-00	BUSH	1	
50	67G-42131-00-00	COVER, HANDLE STEERING	1	
51	97885-06040-00	SCREW, PAN HEAD	2	
52	92995-06600-00	WASHER	2	
53	97885-06016-00	SCREW, PAN HEAD	5	
54	92995-06600-00	WASHER	5	
55	63D-42725-00-00	GROMMET	1	
56	63D-42121-30-4D	BRACKET	1	
57	90101-12M09-00	BOLT	1	
58	92990-12200-00	WASHER, PLAIN	2	
59	90206-12M22-00	WASHER, WAVE	1	
60	90387-12M02-00	COLLAR	1	

61	90386-12M93-00	BUSH	2	
62	92990-12600-00	WASHER, PLATE	1	
63	90185-12M12-00	NUT, SELF-LOCKING	1	

F90TLRC 2004 / STEERING 2



68V3100-C190

©2014 Yamaha Motor Corporation, U.S.A. All rights reserved.


Part List

F90TLRC 2004 / STEERING 2

REF - NO	PART NUMBER	PART NAME	QUANTITY	REMARKS
1	90446-24M79-00	HOSE (L230)	1	AP
2	6K3-83557-00-00	TUBE	1	AP
3	67G-42735-00-00	PROTECTOR	1	AP
4	688-82540-11-00	NEUTRAL SWITCH ASSY	1	AP
5	67G-82554-01-00	STAY, NEUTRAL SWITCH	1	AP
6	62Y-82555-00-00	DAMPER, MAIN SWITCH 1	1	AP
7	97095-06014-00	BOLT	2	AP
8	92995-06600-00	WASHER	2	AP
9	67G-82510-50-00	MAIN SWITCH ASSY	1	AP
10	676-82577-00-00	.CAP, KEY	1	
11	63D-8252E-01-4D	COVER, MAIN SWITCH	1	AP
12	63D-8252F-01-4D	COVER, MAIN SWITCH 2	1	AP
13	63D-24367-00-00	CLAMP, FUEL PIPE 2	1	AP
14	63D-24364-00-00	STAY	1	AP
15	97095-06025-00	BOLT	1	AP
16	92995-06600-00	WASHER	1	AP
17	97095-06020-00	BOLT	1	AP
18	92995-06600-00	WASHER	1	AP
19	97095-06030-00	BOLT	1	AP
20	92995-06600-00	WASHER	1	AP
21	69W-82575-00-00	ENGINE STOP SWITCH ASSY	1	AP
22	682-82556-00-00	.LANYARD, STOP SWITCH	1	
23	689-8257Y-00-00	.CAP	1	
24	90465-13M11-00	CLAMP	1	AP
25	67G-82563-00-00	TRIM & TILT SWITCH ASSY	1	AP
26	97885-06016-00	SCREW, PAN HEAD	2	AP
27	92995-06600-00	WASHER	2	AP
28	63D-83728-00-00	CONNECTOR ASSY	1	AP
29	90465-13M24-00	CLAMP	5	AP
30	90465-13M30-00	CLAMP	1	AP
31	6H5-83553-12-00	WIRE, LEAD	1	AP
32	63D-82586-01-00	EXTENSION, WIRE HARNESS	1	AP
33	67G-42725-00-00	GROMMET	1	AP
34	688-83383-11-00	.BUZZER	1	AP
35	6H5-83386-00-00	BUZZER STAY	1	AP

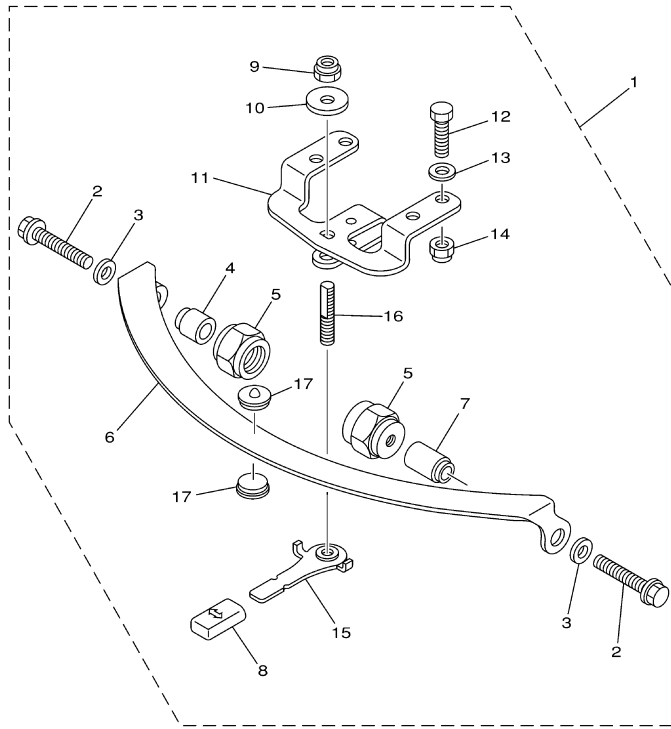
Part Notes

F90TLRC 2004 / STEERING 2

PART NUMBER	NOTE TEXT
682-82556-00-00 	OEM: This part number is among the Top 100 Most Popular Marine Maintenance Parts as of March 2014.

©2014 Yamaha Motor Corporation, U.S.A. All rights reserved.

F90TLRC 2004 / STEERING FRICTION



  
67F1100-2200

©2014 Yamaha Motor Corporation, U.S.A. All rights reserved.

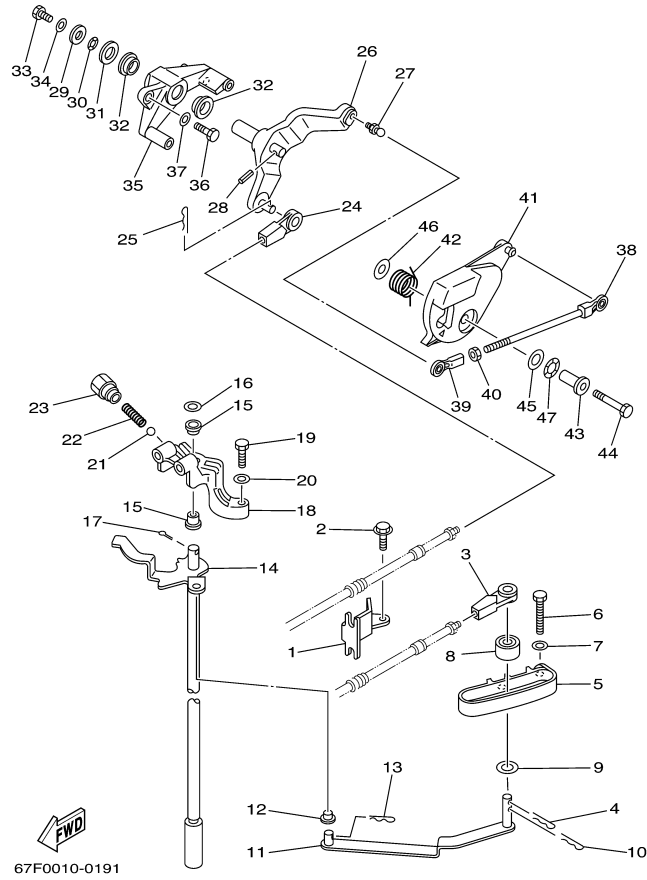


## Part List

F90TLRC 2004 / STEERING FRICTION

REF - NO	PART NUMBER	PART NAME	QUANTITY	REMARKS
1	67G-42508-00-00	STEERING FRICTION ASSY	1	AP
2	90119-08M74-00	.BOLT, WITH WASHER	2	
3	90201-08M01-00	.WASHER, PLATE	2	
4	67G-42541-00-00	.PIPE 1	1	
5	67G-42546-00-00	.NUT	2	
6	63D-42527-00-00	.PLATE, FRICTION	1	
7	67G-42541-10-00	.PIPE 1	1	
8	682-43318-01-00	.COVER	1	
9	90185-10M14-00	.NUT, SELF-LOCKING	1	
10	90201-10M76-00	.WASHER, PLATE	1	
11	67G-42526-00-00	.PLATE, FRICTION	1	
12	97095-08025-00	.BOLT	2	
13	92995-08600-00	.WASHER	2	
14	90185-08057-00	.NUT, SELF-LOCKING	2	
15	67G-42561-00-00	.KNOB, STEERING LOCK	1	
16	67G-42562-00-00	.SHAFT, STEERING LOCK	1	
17	63D-42528-00-00	.PLATE, FRICTION	2	

F90TLRC 2004 / CONTROL



67F0010-0191

©2014 Yamaha Motor Corporation, U.S.A. All rights reserved.





Part List

F90TLRC 2004 / CONTROL

REF - NO	PART NUMBER	PART NAME	QUANTITY	REMARKS
1	67F-48538-00-00	CLAMP, CABLE 1	1	
2	90109-06M86-00	BOLT	1	
3	663-48344-00-00	.CABLE END, REMOTE CONTROL	1	
4	90468-18008-00	CLIP	1	
5	67F-44117-00-00	BRACKET	1	
6	97095-06040-00	.BOLT	2	
7	92995-06600-00	WASHER	2	
8	688-44122-00-00	BUSHING, SHIFT ROD LEVER	1	
9	90202-07M07-00	WASHER, PLATE	1	
10	90468-18008-00	CLIP	1	
11	67F-44121-00-00	LEVER, SHIFT ROD	1	
12	90386-06M12-00	BUSH	1	
13	90468-18008-00	CLIP	1	
14	67F-44120-10-00	HANDLE GEAR SHIFT ASSY	1	L
15	90386-90M90-00	BUSH	2	
16	90201-09M02-00	WASHER, PLATE	1	
17	91490-20015-00	PIN. COTTER	1	
18	67F-44118-00-00	BRACKET	1	
19	97075-06025-00	BOLT	2	
20	92995-06600-00	WASHER	2	
21	93501-04M02-00	BALL	1	
22	90501-12082-00	SPRING, COMPRESSION	1	
23	648-42715-00-00	BUSHING	1	
24	663-48344-00-00	.CABLE END, REMOTE CONTROL	1	
25	90468-18008-00	CLIP	1	
26	67F-42154-00-94	LEVER, THROTTLE CONTROL	1	
27	663-85518-00-00	JOINT, BALL	1	
28	91690-30018-00	PIN, SPRING	1	
29	90201-06068-00	WASHER, PLATE	1	
30	90206-12M00-00	WASHER, WAVE	1	
31	92990-12600-00	WASHER, PLATE	1	
32	90386-12069-00	BUSH	2	
33	97095-06012-00	BOLT	1	
34	92995-06600-00	WASHER	1	
35	67F-41661-00-94	BRACKET	1	
36	97095-06025-00	BOLT	2	
37	92995-06600-00	WASHER	2	
38	67F-41237-00-00	JOINT, LINK	1	
39	682-41237-00-00	JOINT, LINK	1	
40	95380-05600-00	NUT	1	
41	67F-41213-01-00	CAM, ACCEL.	1	
42	67F-44135-00-00	SPRING	1	
43	90387-06M82-00	COLLAR	1	
44	97095-06035-00	BOLT	1	
45	90201-10M02-00	WASHER, PLATE	1	
46	90201-06M31-00	.WASHER, PLATE	1	
47	90206-10M04-00	WASHER, WAVE	1	

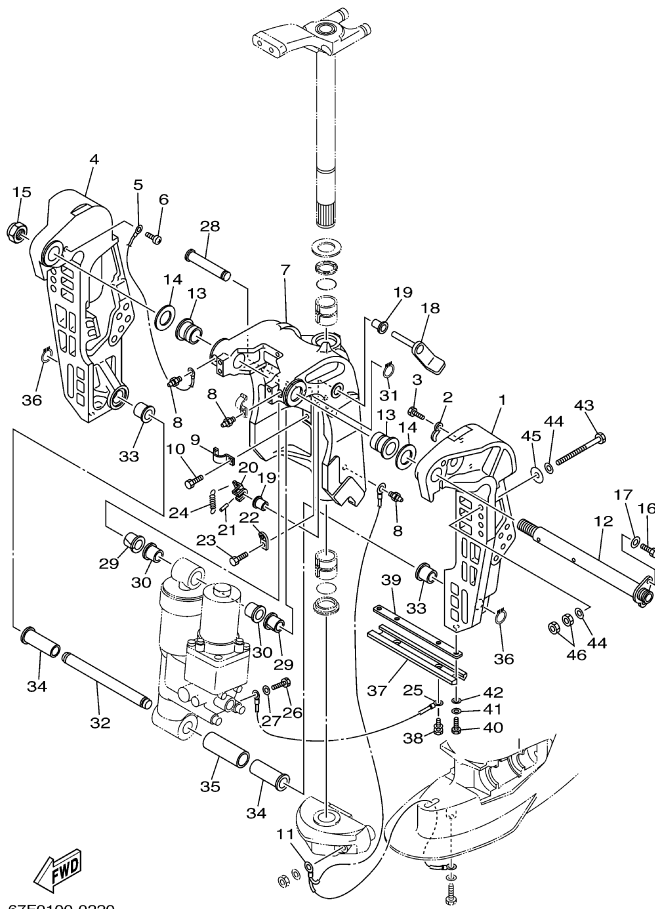
Part Notes

F90TLRC 2004 / CONTROL

PART NUMBER	NOTE TEXT
90468-18008-00 	OEM: This part number is among the Top 100 Most Popular Marine Maintenance Parts as of March 2014.
90468-18008-00 	OEM: This part number is among the Top 100 Most Popular Marine Maintenance Parts as of March 2014.
90468-18008-00 	OEM: This part number is among the Top 100 Most Popular Marine Maintenance Parts as of March 2014.
90468-18008-00 	OEM: This part number is among the Top 100 Most Popular Marine Maintenance Parts as of March 2014.

©2014 Yamaha Motor Corporation, U.S.A. All rights reserved.

F90TLRC 2004 / BRACKET 1



67F0100-0220

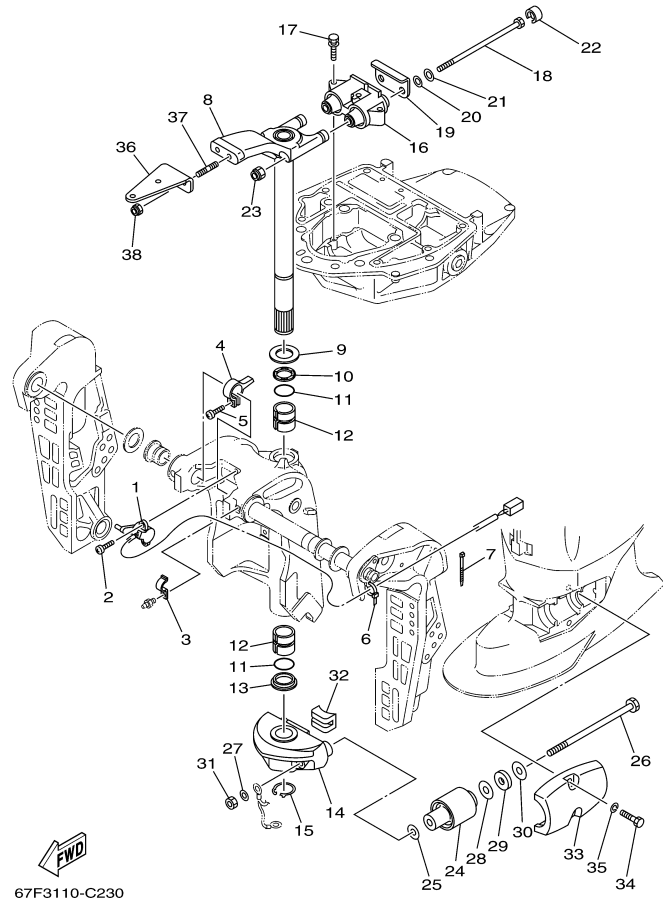
©2014 Yamaha Motor Corporation, U.S.A. All rights reserved.

## Part List

F90TLRC 2004 / BRACKET 1

REF - NO	PART NUMBER	PART NAME	QUANTITY	REMARKS
1	67F-43111-00-4D	BRACKET, CLAMP	1	
2	90465-10M77-00	CLAMP	2	
3	97095-06010-00	BOLT	2	
4	67F-43112-00-4D	BRACKET, CLAMP 2	1	
5	6E5-82148-00-00	WIRE, LEAD 4	1	
6	97880-06012-00	SCREW, PAN HEAD	1	
7	67F-43311-10-4D	BRACKET, SWIVEL 1	1	
8	93700-06M03-00	NIPPLE, GREASE	3	
9	90465-08M63-00	CLAMP	1	
10	97095-06010-00	BOLT	1	
11	67F-82127-00-00	WIRE, LEAD 2	1	
12	64E-43131-01-00	BOLT, CLAMP BRACKET	1	
13	90386-25M31-00	BUSH	2	
14	90201-26M59-00	WASHER, PLATE	2	
15	90185-22M11-00	NUT, SELF-LOCKING	1	
16	97095-08020-00	BOLT	1	
17	92995-08100-00	WASHER	1	
18	67F-43181-00-00	LEVER, TILT STOP	1	
19	90386-10M16-00	BUSH	2	
20	67F-43631-00-00	LEVER, TILT	1	
21	91690-30020-00	PIN, SPRING	1	
22	66T-43144-00-00	HOOK, SPRING	1	
23	97095-06010-00	BOLT	1	
24	90506-14M24-00	SPRING, TENSION	1	
25	67F-82148-00-00	WIRE, LEAD 4	1	
26	97095-06010-00	BOLT	1	
27	92995-06600-00	WASHER	1	
28	67F-43126-00-00	PIN, UPPER SHOCK MOUNT	1	
29	90386-18M35-00	BUSH	2	
30	90386-18M63-00	BUSH	2	
31	93410-18M05-00	CIRCLIP	1	
32	67F-43818-00-00	PIN, LOWER SHOCK MOUNT	1	
33	90387-18M01-00	COLLAR	2	
34	90386-18MA0-00	BUSH	2	
35	90387-22M01-00	COLLAR	1	
36	93410-18M05-00	CIRCLIP	2	
37	6H1-45251-03-00	ANODE	1	
38	90119-06M81-00	BOLT, WITH WASHER	2	
39	6H1-44526-00-00	PLATE	1	
40	97095-06016-00	BOLT	2	
41	92995-06100-00	WASHER, SPRING	2	
42	92995-06600-00	WASHER	2	
43	90101-12M03-00	BOLT (L:115MM)	4	
44	90201-13M01-00	WASHER, PLATE	8	
45	90201-12M05-00	WASHER, PLATE	4	
46	95380-12600-00	NUT	8	

F90TLRC 2004 / BRACKET 2



 67F3110-C230

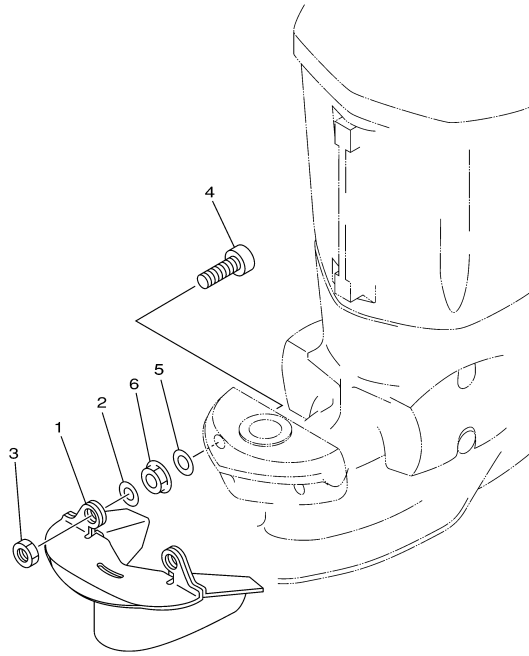
©2014 Yamaha Motor Corporation, U.S.A. All rights reserved.

## Part List

F90TLRC 2004 / BRACKET 2

REF - NO	PART NUMBER	PART NAME	QUANTITY	REMARKS
1	67H-83672-00-00	TRIM SENDER	1	
2	97885-06016-00	SCREW, PAN HEAD	2	
3	90465-08M63-00	CLAMP	1	
4	64E-43139-02-00	CAM, TRIM SENDER	1	
5	97780-60525-00	SCREW, TAPPING	1	
6	90465-11M10-00	CLAMP	1	
7	90465-11M10-00	CLAMP	3	
8	67F-42510-10-4D	STEERING BRACKET ASSY	1	
9	90201-30M00-00	WASHER, PLATE	1	
10	90386-30M78-00	BUSH	1	
11	93210-29M94-00	O-RING	2	
12	90386-30M77-00	BUSH	2	
13	90386-30M60-00	BUSH	1	
14	67F-44551-00-4D	HOUSING, LOWER MOUNT RUBBER	1	
15	93410-28M06-00	CIRCLIP	1	
16	67F-44514-00-94	MOUNT DAMPER, UPPER SIDE	1	
17	97575-08445-00	BOLT, WITH WASHER	3	
18	90109-12M37-00	BOLT	2	
19	67F-44526-00-00	PLATE	1	
20	90201-12M16-00	WASHER, PLATE	2	
21	90201-13M01-00	WASHER, PLATE	2	
22	67F-44533-00-00	DAMPER, UPPER MOUNT RUBBER	2	
23	95780-12300-00	NUT, FLANGE	2	
24	67F-44555-00-94	MOUNT DAMPER, LOWER SIDE	2	
25	90201-13M03-00	WASHER, PLATE	2	
26	90109-12M97-00	BOLT	2	
27	90201-12M16-00	WASHER, PLATE	2	
28	90201-24M02-00	WASHER, PLATE	2	
29	90202-25M04-00	WASHER, PLATE	2	
30	90201-13M19-00	WASHER, PLATE	2	
31	95380-12700-00	NUT	2	
32	67F-44575-00-00	DAMPER, LOWER MOUNT RUBBER	1	
33	67F-44553-00-4D	COVER, LOWER MOUNT	2	
34	97075-10040-00	BOLT	4	
35	92995-10100-00	WASHER	4	
36	67F-48511-00-4D	HOOK, STEERING	1	
37	90116-10175-00	BOLT, STUD	2	
38	90185-10051-00	NUT, SELF-LOCKING	2	

F90TLRC 2004 / OPTIONAL PARTS



67F0100-0240

©2014 Yamaha Motor Corporation, U.S.A. All rights reserved.

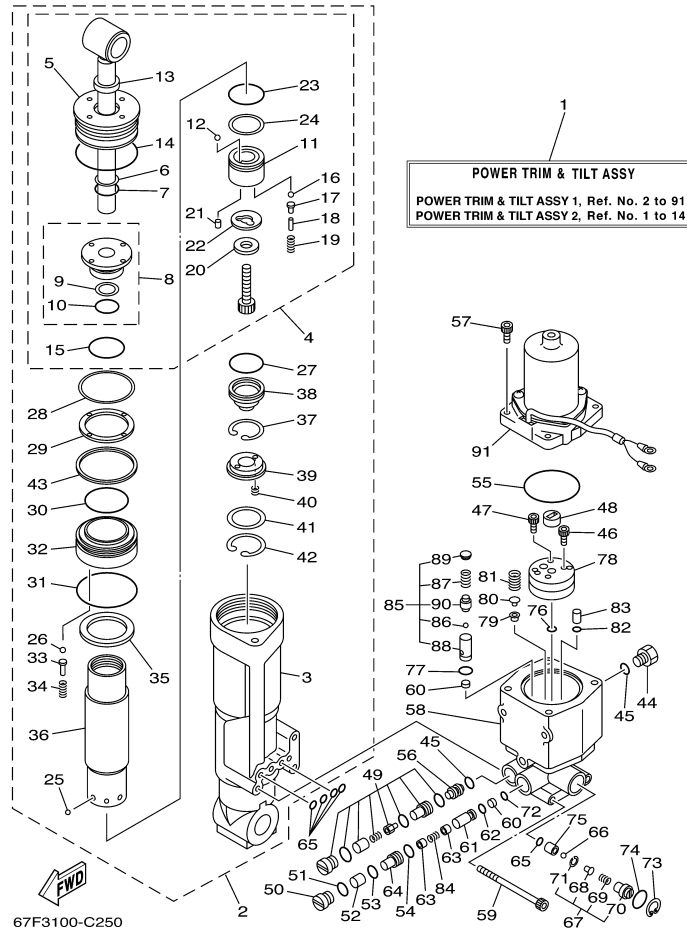


## Part List

F90TLRC 2004 / OPTIONAL PARTS

REF - NO	PART NUMBER	PART NAME	QUANTITY	REMARKS
1	67F-45180-00-4D	PLATE, SPLASH	1	AP
2	90201-12M01-00	WASHER, PLATE	2	AP
3	95380-12700-00	NUT	2	AP
4	90110-12M00-00	BOLT, HEXAGON SOCKET HEAD	2	AP
5	90201-12M16-00	WASHER, PLATE	2	AP
6	95780-12300-00	NUT, FLANGE	2	AP

F90TLRC 2004 / POWER TRIM TILT ASSY 1



©2014 Yamaha Motor Corporation, U.S.A. All rights reserved.

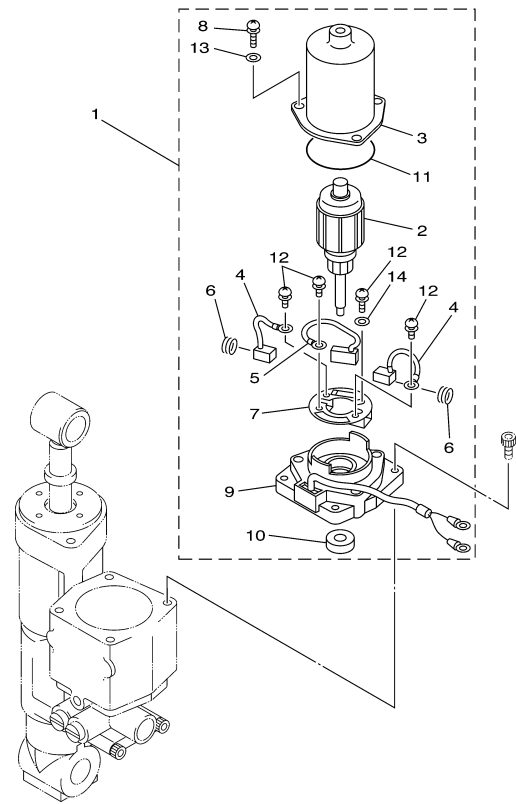
## Part List

F90TLRC 2004 / POWER TRIM TILT ASSY 1

REF - NO	PART NUMBER	PART NAME	QUANTITY	REMARKS
1	67F-43800-03-4D	POWER TRIM & TILT ASSY	1	
2	67F-43840-02-00	POWER TILT ASSY	1	
3	67F-4380K-00-00	.CYLINDER, TILT SUB ASSY	1	
4	67F-43810-01-00	.TILT PISTON SUB ASSY	1	
5	67F-43821-00-00	..SCREW, TRIM CYLINDER END	1	
6	6H1-43872-10-00	..RING, BACK UP	1	
7	93210-18397-00	..O-RING	1	
8	67F-4380R-00-00	..CYLINDER END SUB ASSY	1	
9	6H1-43872-10-00	...RING, BACK UP	1	
10	93210-18397-00	...O-RING	1	
11	67F-4385A-01-00	..PISTON, TILT	1	
12	93501-08001-00	..BALL	1	
13	6H1-43812-00-00	..SEAL, DUST	1	
14	67F-43861-00-00	..O-RING	1	
15	62X-43862-00-00	..O-RING	1	
16	93501-08001-00	..BALL	2	
17	65W-4386A-00-00	..PIN, ABSORBER VALVE	2	
18	688-4386F-00-00	..PIN, STRAIGHT	2	
19	65W-43853-00-00	..SPRING, MAIN VALVE	2	
20	67F-43893-00-00	..WASHER	1	
21	93602-07244-00	..PIN, DOWEL	2	
22	67F-22435-00-00	..PLATE, VALVE 2	1	
23	93210-29375-00	..O-RING	1	
24	62X-43871-00-00	..RING, BACK UP	1	
25	93503-16003-00	.BALL	6	
26	93501-08001-00	.BALL	5	
27	67F-43863-00-00	.O-RING	1	
28	67F-43899-00-00	.PLATE STOPPER	1	
29	67F-43816-00-00	.FILTER 1	1	
30	67F-43862-00-00	.O-RING	1	
31	62X-43865-00-00	.O-RING	1	
32	67F-4388A-00-00	.PISTON, TRIM	1	
33	6T4-4386A-00-00	.PIN, ABSORBER VALVE	5	
34	67F-43857-00-00	.SPRING, ABSORBER VALVE	5	
35	67F-4381J-00-00	.PLATE	1	
36	67F-22471-01-00	.CYLINDER, SHOCK ABSORBER	1	
37	67F-43875-00-00	.RING, SNAP	1	
38	67F-4381B-00-00	.FREE PISTON SUB ASSY	1	
39	62X-43899-00-00	.PLATE STOPPER	1	
40	62X-4384H-00-00	.SPRING	2	
41	1UF-22434-00-00	.PLATE, VALVE 1	1	
42	62X-43875-00-00	.RING, SNAP	1	
43	67F-43871-00-00	.RING, BACK UP	1	
44	6H1-43829-00-00	.PLUG, RESERVOIR	1	
45	93210-09165-00	O-RING	2	
46	91318-06035-00	BOLT	3	
47	91318-06020-00	BOLT	1	
48	6H1-43831-10-00	CONNECTOR, SHAFT	1	
49	67F-43802-00-00	.VALVE SUB ASSY	2	
50	67F-4382F-00-00	ADAPTOR 3	1	
51	6H1-43866-00-00	..O-RING	1	
52	67F-43817-00-00	FILTER 2	1	
53	93210-10M74-00	O-RING	1	
54	6H1-43867-00-00	..O-RING	1	
55	62X-43865-00-00	O-RING	1	
56	62X-43841-00-00	.PISTON, SHUTTLE	1	
57	65W-43888-00-00	BOLT, SOCKET	4	
58	67F-43825-03-00	HOUSING, TRIM & TILT	1	
59	62X-43878-00-00	.BOLT, SOCKET	3	
60	6H1-43816-00-00	FILTER 1	2	

61	67F-43851-00-00	SEAT, RELIEF VALVE	1	
62	93210-07003-00	.O-RING	1	
63	67F-43808-00-00	SEAT VALVE COMP. 1	2	
64	67F-4382G-00-00	SCREW, VALVE SEAT	1	
65	93210-064A5-00	..O-RING	5	
66	93505-32038-00	..BALL	1	
67	61A-43860-20-00	MANUAL VALVE SUB-ASSY	1	
68	61A-43848-00-00	.ROD, MANUAL RELEASE	1	
69	61A-43854-00-00	.SPRING, MANUAL RELEASE	1	
70	61A-43845-00-00	.SCREW, MANUAL RELEASE	1	
71	61A-43875-00-00	.RING, SNAP	1	
72	93210-06100-00	O-RING	1	
73	6H1-43875-00-00	.RING, SNAP	1	
74	93210-18397-00	O-RING	1	
75	61A-43847-00-00	.SEAT, MANUAL VALVE	1	
76	65W-43862-00-00	O-RING	2	
77	93210-11368-00	..O-RING	1	
78	67F-43830-00-00	GEAR PUMP ASSY	1	
79	6H1-4384F-10-00	.SEAL, MAIN VALVE	1	
80	6H1-43844-10-00	.PIN, VALVE SUPPORT	1	
81	6H1-43856-10-00	.SPRING, DOWN RELIEF	1	
82	65W-43861-00-00	O-RING	2	
83	65W-43817-00-00	.FILTER 2	2	
84	67F-4385H-00-00	SPRING, SEAL	1	
85	67F-43850-00-00	VALVE SUB ASSY	1	
86	93501-08001-00	.BALL	1	
87	6H1-43856-10-00	.SPRING, DOWN RELIEF	1	
88	67F-43895-00-00	.SEAT, RELIEF VALVE	1	
89	67F-43843-00-00	.SCREW, VALVE LOCK	1	
90	67F-4386A-00-00	.PIN, ABSORBER VALVE	1	
91	67F-43880-00-00	MOTOR ASSY	1	REFER TO POWER TRIM & TILT ASSY 2

F90TLRC 2004 / POWER TRIM TILT ASSY 2



  
67F3100-C260

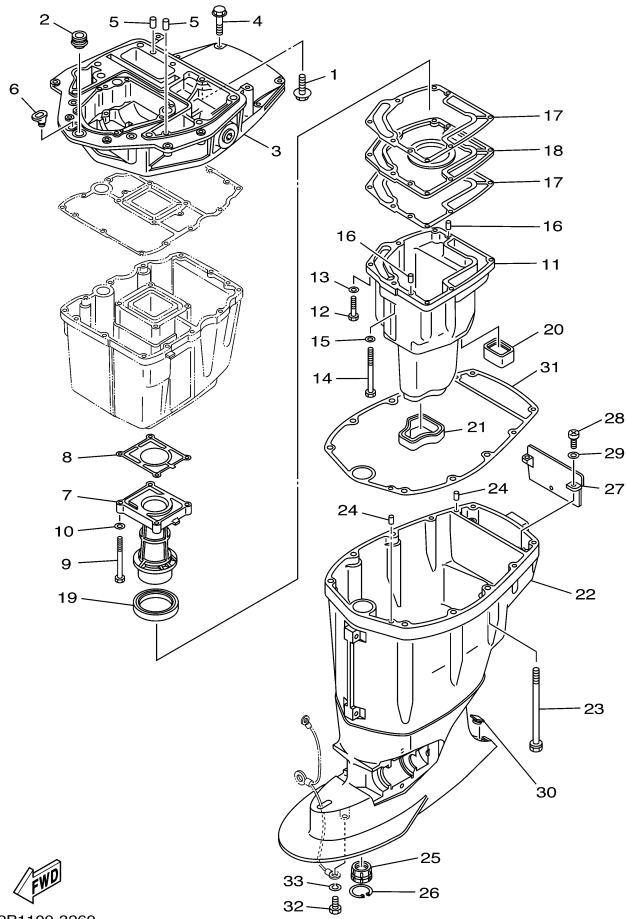
©2014 Yamaha Motor Corporation, U.S.A. All rights reserved.

## Part List

F90TLRC 2004 / POWER TRIM TILT ASSY 2

REF - NO	PART NUMBER	PART NAME	QUANTITY	REMARKS
1	67F-43880-00-00	MOTOR ASSY	1	
2	67F-43805-00-00	.ARMATURE ASSY	1	
3	67F-43804-00-00	.STATOR ASSY	1	
4	67F-43891-00-00	.BRUSH 1	2	
5	67F-82181-00-00	.CIRCUIT BREAKER COMP	1	
6	67F-4386K-00-00	.SPRING, BRUSH	2	
7	67F-4380F-00-00	.PLATE, BRUSH HOLDER	1	
8	67F-43886-00-00	.BOLT	3	
9	67F-43881-00-00	.FRAME, END	1	
10	67F-43882-00-00	.OIL SEAL	1	
11	67F-43896-00-00	.O-RING	1	
12	67F-43879-00-00	.SCREW, WITH WASHER	4	
13	67F-4387G-00-00	.WASHER	3	
14	67F-4387J-00-00	.WASHER, SPECIAL 2	1	

F90TLRC 2004 / UPPER CASING



  
62P1100-3260


Part List

F90TLRC 2004 / UPPER CASING

REF - NO	PART NUMBER	PART NAME	QUANTITY	REMARKS
1	90119-08M58-00	BOLT, WITH WASHER	2	
2	67F-42724-00-00	GROMMET	1	
3	67F-41137-02-94	GUIDE, EXHAUST	1	
4	97575-08540-00	BOLT, WITH WASHER	4	
5	93608-16M16-00	PIN, DOWEL	2	
6	6G1-42727-00-00	GROMMET	1	
7	67F-41131-01-5B	MANIFOLD, EXT. 1	1	
8	67F-41133-A1-00	.GASKET, EXHAUST MANIFOLD 1	1	
9	97075-06070-00	BOLT	4	
10	92995-06600-00	WASHER	4	
11	67F-14711-00-5B	MUFFLER 1	1	
12	97075-06030-00	BOLT	6	
13	92995-06600-00	WASHER	6	
14	97075-06050-00	BOLT	1	
15	92995-06600-00	WASHER	1	
16	93606-19M23-00	PIN, DOWEL	2	
17	67F-41134-A0-00	.GASKET, EXHAUST MANIFOLD	2	
18	67F-45181-00-5B	PLATE	1	
19	67F-41138-00-00	.SEAL, EXT. 1	1	
20	67F-45127-00-00	.SEAL	1	
21	67F-45123-00-00	.GASKET, MUFFLER	1	
22	67F-45111-10-4D	CASING, UPPER	1	
23	90119-10M08-00	BOLT, WITH WASHER	6	
24	93608-16M16-00	PIN, DOWEL	2	
25	67F-45318-00-00	BUSHING, DRIVE SHAFT	1	
26	93420-36M01-00	CIRCLIP	1	
27	67F-45151-00-00	COVER, UPPER CASING	1	
28	97880-06016-00	SCREW, PAN HEAD	2	
29	92990-06600-00	WASHER, PLATE	2	
30	67F-45155-00-00	CAP	1	
31	67F-45113-00-00	.GASKET, UPPER CASING	1	
32	97095-08016-00	BOLT	1	
33	92995-08100-00	WASHER	1	

Part Notes

F90TLRC 2004 / UPPER CASING

PART NUMBER	NOTE TEXT
92990-06600-00 	OEM: This part number is among the Top 100 Most Popular Marine Maintenance Parts as of March 2014.

©2014 Yamaha Motor Corporation, U.S.A. All rights reserved.






Part List

F90TLRC 2004 / OIL PAN

REF - NO	PART NUMBER	PART NAME	QUANTITY	REMARKS
1	67F-15311-01-5B	OIL PAN	1	
2	67F-15316-00-00	DAMPER 1	1	
3	90340-14M06-00	PLUG, STRAIGHT SCREW	1	
4	90430-14M09-00	.GASKET	1	
5	97075-06025-00	BOLT	12	
6	92995-06600-00	WASHER	12	
7	93606-12019-00	.PIN, DOWEL	2	
8	68V-15312-00-00	.GASKET, OIL PAN	1	
9	67F-13411-00-00	STRAINER, OIL	1	
10	97027-06025-00	BOLT, HEXAGON	3	
11	92907-06600-00	.WASHER, PLATE	3	
12	90387-06M64-00	COLLAR	3	
13	67F-13415-00-00	.SEAL, OIL STRAINER	1	
14	67F-13300-10-00	OIL PUMP ASSY	1	
15	67F-13314-02-00	.SHAFT, PUMP	1	
16	67F-13473-01-00	.O-RING	1	
17	67F-13329-00-00	.GASKET, PUMP COVER	1	
18	67F-13495-00-00	.SCREW	1	
19	67F-13119-01-00	.OIL SEAL	1	
20	67F-13769-00-00	.O-RING	1	
21	67F-13914-00-00	.HOUSING, PUMP	1	
22	67F-13631-03-00	.OIL SEAL	1	
23	67F-13149-00-00	.OIL SEAL	2	
24	67F-13339-00-00	.GASKET, PUMP COVER	1	
25	67F-13338-00-00	SEAL	1	
26	97095-06045-00	.BOLT	6	
27	92995-06600-00	WASHER	6	
28	93604-12M07-00	PIN, DOWEL	2	
29	93210-19MJ1-00	.O-RING	2	
30	68V-15362-10-00	PLUG, OIL LEVEL	1	

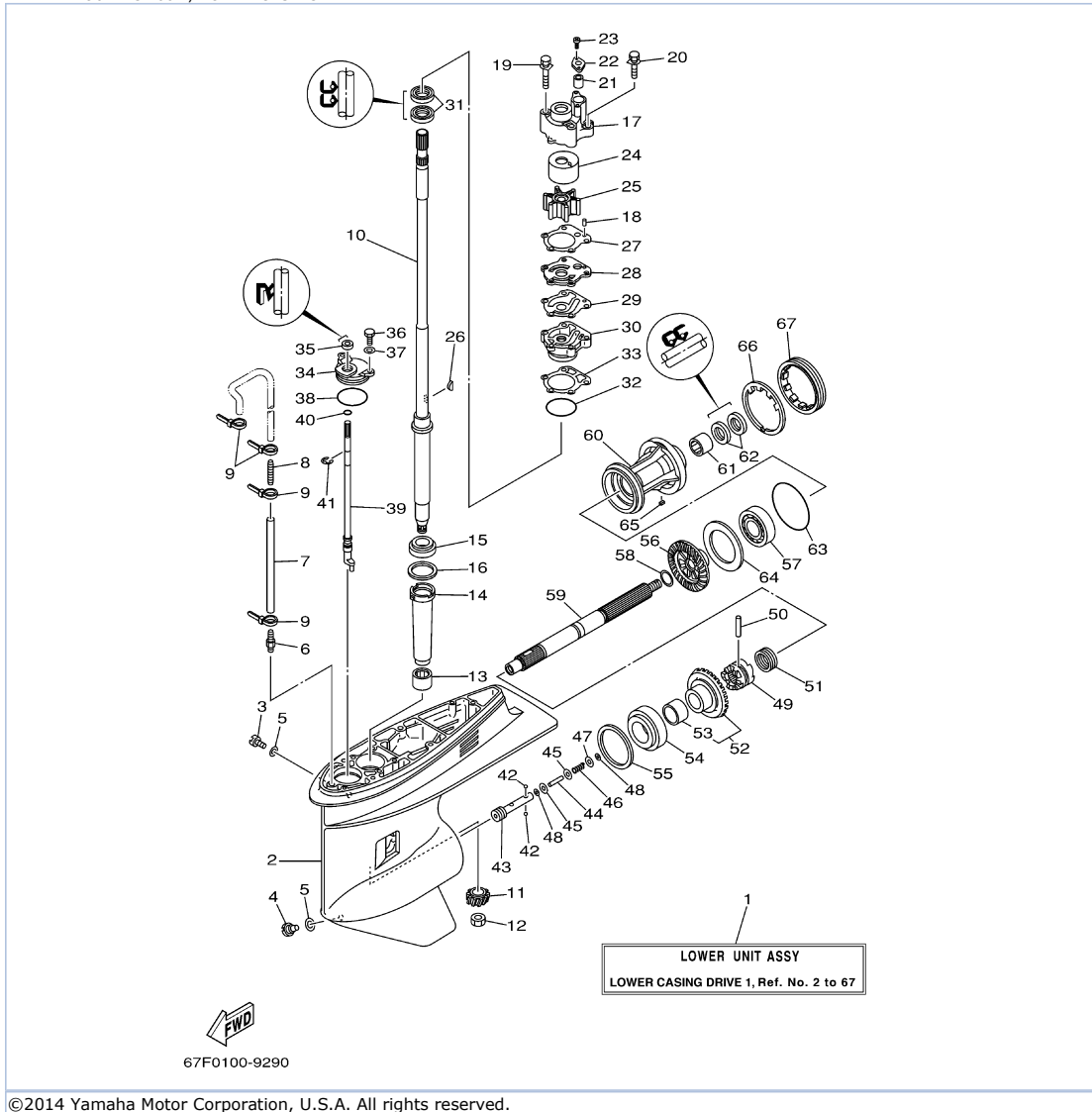
Part Notes

F90TLRC 2004 / OIL PAN

PART NUMBER	NOTE TEXT
90430-14M09-00 	OEM: This part number is among the Top 100 Most Popular Marine Maintenance Parts as of March 2014.

©2014 Yamaha Motor Corporation, U.S.A. All rights reserved.

F90TLRC 2004 / LOWER CASING DRIVE 1



©2014 Yamaha Motor Corporation, U.S.A. All rights reserved.

## Part List








F90TLRC 2004 / LOWER CASING DRIVE 1

REF - NO	PART NUMBER	PART NAME	QUANTITY	REMARKS
1	67F-45300-10-4D	LOWER UNIT ASSY	1	L
2	67F-45301-00-4D	CASING, LOWER	1	
3	90340-08002-00	PLUG, STRAIGHT SCREW	1	
4	688-45341-10-00	PLUG, DRAIN	1	
5	90430-08020-00	.GASKET	2	
6	6E5-45378-00-00	NIPPLE, HOSE	1	
7	90445-07M31-00	HOSE (L200)	1	L
8	6E5-83558-10-00	END, NIPPLE	1	
9	90465-11M10-00	CLAMP	4	
10	67F-45501-10-00	DRIVE SHAFT COMP.	1	L
11	67F-45551-00-00	PINION (13T)	1	
12	90170-16M01-00	NUT	1	
13	93315-325W4-00	BEARING	1	
14	688-45536-01-00	SLEEVE, DRIVE SHAFT	1	
15	93332-000U3-00	BEARING	1	
16	688-45587-01-12	SHIM (T:0.12MM)	1	UR
16	688-45587-01-30	SHIM (T:0.30MM)	1	UR
16	688-45587-01-50	SHIM (T:0.50MM)	1	UR
16	688-45587-01-40	SHIM (T:0.40MM)	1	UR
16	688-45587-01-15	SHIM (T:0.15MM)	1	UR
16	688-45587-01-18	SHIM (T:0.18MM)	1	UR
16	688-45587-01-10	SHIM (T:0.10MM)	1	UR
17	67F-44311-00-00	HOUSING, WATER PUMP	1	
18	93604-10M03-00	PIN, DOWEL	2	
19	90119-08M87-00	.BOLT, WITH WASHER	2	
20	90119-08M13-00	.BOLT, WITH WASHER	2	
21	663-44366-00-00	.DAMPER, WATER SEAL 2	1	
22	90480-19M06-00	GROMMET	1	
23	97780-40512-00	SCREW, TAPPING	2	
24	67F-44322-00-00	.INSERT, CARTRIDGE	1	
25	67F-44352-00-00	.IMPELLER	1	
26	90280-04M04-00	.KEY, WOODRUFF	1	
27	688-44315-A0-00	.GASKET, WATER PUMP	1	
28	67F-44323-00-00	.OUTER PLATE, CARTRIDGE	1	
29	688-44324-A0-00	.GASKET, CARTRIDGE	1	
30	688-44341-01-94	HOUSING, WATER PUMP	1	
31	93101-25M03-00	.OIL SEAL	2	
32	93210-46044-00	O-RING	1	
33	688-44316-A0-00	.GASKET, WATER PUMP	1	
34	688-45321-00-00	PLATE	1	
35	93106-09014-00	.OIL SEAL	1	
36	97095-06016-00	BOLT	2	
37	92995-06600-00	WASHER	2	
38	93210-49046-00	.O-RING	1	
39	67F-44150-00-00	SHIFT CAM ASSY	1	
40	93210-07003-00	.O-RING	1	
41	99001-08600-00	CIRCLIP	1	
42	93503-16003-00	BALL	2	
43	67F-45634-00-00	SLIDE, SHIFT	1	
44	6H1-45668-00-00	SHAFT, FREE 1	1	
45	6H1-45635-00-00	PLUNGER, SHIFT	2	
46	90501-12M48-00	SPRING, COMPRESSION	1	
47	90201-03313-00	WASHER, PLATE	1	
48	90183-02M03-00	NUT, SPRING	2	
49	67F-45631-00-00	CLUTCH, DOG	1	
50	90250-07M02-00	PIN, STRAIGHT	1	
51	688-45633-00-00	RING, CROSS PIN	1	
52	67F-45560-00-00	GEAR 1 (30T)	1	
53	93317-322V0-00	.BEARING	1	
54	93332-000UD-00	BEARING	1	
55	688-45567-01-12	SHIM (T:0.12MM)	1	UR

55	688-45567-01-30	SHIM (T:0.30MM)	1	UR
55	688-45567-01-50	SHIM (T:0.50MM)	1	UR
55	688-45567-01-40	SHIM (T:0.40MM)	1	UR
55	688-45567-01-15	SHIM (T:0.15MM)	1	UR
55	688-45567-01-18	SHIM (T:0.18MM)	1	UR
55	688-45567-01-10	SHIM (T:0.10MM)	1	UR
56	67F-45571-00-00	GEAR 2 (30T)	1	
57	93306-207U0-00	.BEARING	1	
58	90201-25M05-00	WASHER, PLATE	1	
59	67F-45611-01-00	SHAFT, PROPELLER	1	
60	67F-45331-00-94	HOUSING, BEARING	1	
61	93317-325U0-00	BEARING	1	
62	93101-25M03-00	.OIL SEAL	2	
63	93210-86M39-00	.O-RING	1	
64	67F-45576-00-00	WASHER, THRUST 2	1	
65	90282-04010-00	KEY, STRAIGHT	1	
66	688-45383-02-00	WASHER, CLAW	1	
67	688-45384-00-00	NUT	1	

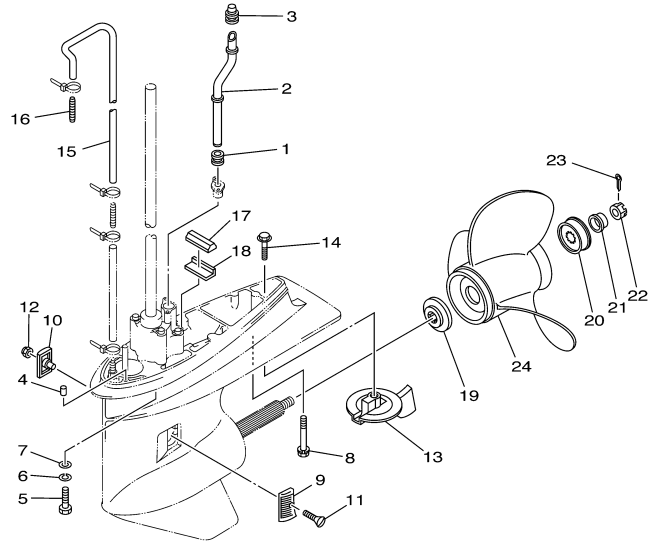
Part Notes

F90TLRC 2004 / LOWER CASING DRIVE 1

PART NUMBER	NOTE TEXT
90430-08020-00	 OEM: This part number is among the Top 100 Most Popular Marine Maintenance Parts as of March 2014.
67F-45551-00-00	 OEM: This part is discontinued does not supersede. It must be replaced with a gear-set. The forward gear supersedes to this new gear-set is p/n 999990402900 which consists of 1 - 6D9-45551-10-00 PINION GEAR (11T), 1 - 6D9-45560-10-00 FORWARD GEAR (25T), and 1 - 6D9-45571-10-00 REVERSE GEAR (25T). These gears, which were used in production starting in January 2012 on the F75 and F90 models, must be installed as a set when replacing the original gears.
688-44341-01-94	 OEM: This part number supersedes to 6D8-WS443-00-00 which is a water pump housing set. This set only includes the water pump housing and a clip.
93101-25M03-00	 OEM: This part number is among the Top 100 Most Popular Marine Maintenance Parts as of March 2014.
93106-09014-00	 OEM: This part number is among the Top 100 Most Popular Marine Maintenance Parts as of March 2014.
67F-45560-00-00	 OEM: This part is superseded by a new gear set 999990402900 which consists of 1 - 6D9-45551-10-00 PINION GEAR (11T), 1 - 6D9-45560-10-00 FORWARD GEAR (25T), and 1 - 6D9-45571-10-00 REVERSE GEAR (25T) These gears, which were used in production starting in January 2012 on the F75 and F90 models, must be installed as a set when replacing the original gears.
93101-25M03-00	 OEM: This part number is among the Top 100 Most Popular Marine Maintenance Parts as of March 2014.

©2014 Yamaha Motor Corporation, U.S.A. All rights reserved.

F90TLRC 2004 / LOWER CASING DRIVE 2



  
67F0010-9230


## Part List

F90TLRC 2004 / LOWER CASING DRIVE 2

REF - NO	PART NUMBER	PART NAME	QUANTITY	REMARKS
1	663-44367-00-00	DAMPER, WATER SEAL 3	1	
2	67F-44361-10-00	TUBE, WATER	1	L
3	67F-44365-00-00	DAMPER, WATER SEAL 1	1	
4	93606-12019-00	.PIN, DOWEL	2	
5	97075-10040-00	BOLT	4	L
6	92995-10100-00	WASHER	4	L
7	92995-10600-00	WASHER	4	L
8	90119-08M84-00	BOLT, WITH WASHER	1	L
9	6H1-45214-00-00	COVER, WATER INLET 1	1	
10	6H1-45215-00-00	COVER, WATER INLET 2	1	
11	90151-05M00-00	SCREW, COUNTERSUNK	1	
12	90185-05002-00	NUT, NYLON	1	
13	67F-45371-00-00	TAB-TRIM	1	
14	90105-10M67-00	BOLT, FLANGE	1	
15	90445-07ME0-00	HOSE (L1220)	1	
16	6E5-83558-00-00	END, NIPPLE	1	
17	688-45375-00-00	DAMPER, SEAL	1	
18	663-45376-00-94	GUIDE, SEAL DAMPER	1	
19	688-45987-01-00	SPACER 1	1	
20	67F-45997-00-00	SPACER 2	1	
21	90389-25M00-00	BUSH	1	
22	90171-16011-00	NUT, CASTLE	1	
23	91490-40025-00	PIN. COTTER	1	
24	6E5-45941-00-EL	PROPELLER (3X13"X19"-K)	1	UR
24	688-45930-02-98	PROPELLER (3X13"X17"-K)	1	UR
24	6E5-45945-01-EL	PROPELLER (3X13-1/4"X17"-K)	1	UR
24	6E5-45947-00-EL	PROPELLER (3X13-1/2"X15"-K)	1	UR
24	6E5-45949-00-EL	PROPELLER (3X13-5/8"X13"-K)	1	UR
24	688-45970-03-98	PROPELLER (3 X 13-1/2" X 19" -K) ( )	1	UR
24	688-45972-02-98	PROPELLER (3X13"X21"-K)	1	UR
24	688-45974-02-98	PROPELLER (3X13"X23"-K)	1	UR
24	688-45978-60-98	PROPELLER (3X13-1/2"X16"-K)	1	UR
24	688-45932-60-98	PROPELLER (3X13-1/2"X14"-K)	1	UR
24	6E5-45952-00-EL	PROPELLER (3X13"X23"-K)	1	UR
24	6E5-45954-00-EL	PROPELLER (3X14"X11"-K)	1	UR
24	688-45976-01-98	PROPELLER (3X13"X25"-K)	1	UR
24	6E5-45956-00-EL	PROPELLER (3X13"X25"-K)	1	UR
24	6E5-45943-00-EL	PROPELLER (3X12-5/8"X21"-K)	1	UR

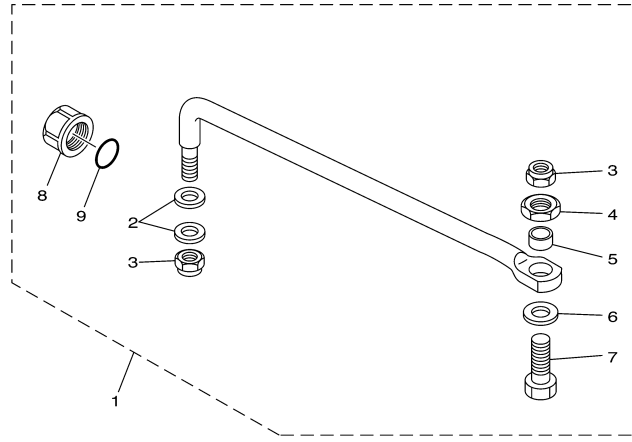
## Part Notes

F90TLRC 2004 / LOWER CASING DRIVE 2

PART NUMBER	NOTE TEXT
67F-45371-00-00 	OEM: This part number is among the Top 100 Most Popular Marine Maintenance Parts as of March 2014.

©2014 Yamaha Motor Corporation, U.S.A. All rights reserved.

F90TLRC 2004 / STEERING GUIDE



67F0010-9250

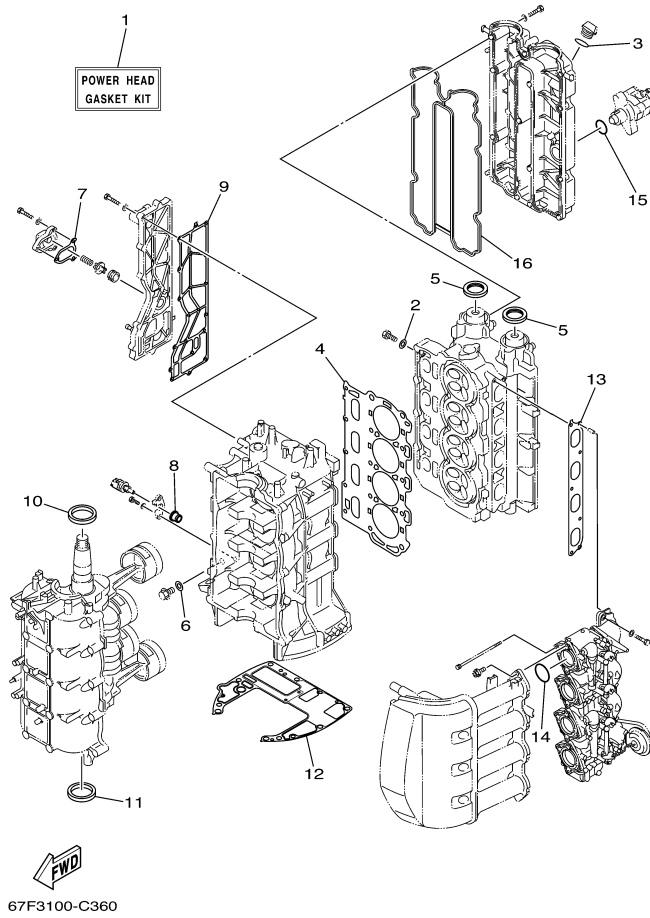


## Part List

F90TLRC 2004 / STEERING GUIDE

REF - NO	PART NUMBER	PART NAME	QUANTITY	REMARKS
1	67F-61350-00-00	STEERING GUIDE ATTACHMENT KIT	1	AP
2	90201-10M20-00	.WASHER, PLATE	2	
3	90185-09M01-00	.NUT, SELF-LOCKING	2	
4	90170-09M03-00	.NUT	1	
5	90387-10M42-00	.COLLAR	1	
6	90201-10M63-00	.WASHER, PLATE	1	
7	90101-09M01-00	.BOLT	1	
8	6E5-43145-01-00	.CAP, CLAMP BRACKET	1	
9	93210-16275-00	.O-RING	1	

F90TLRC 2004 / REPAIR KIT 1



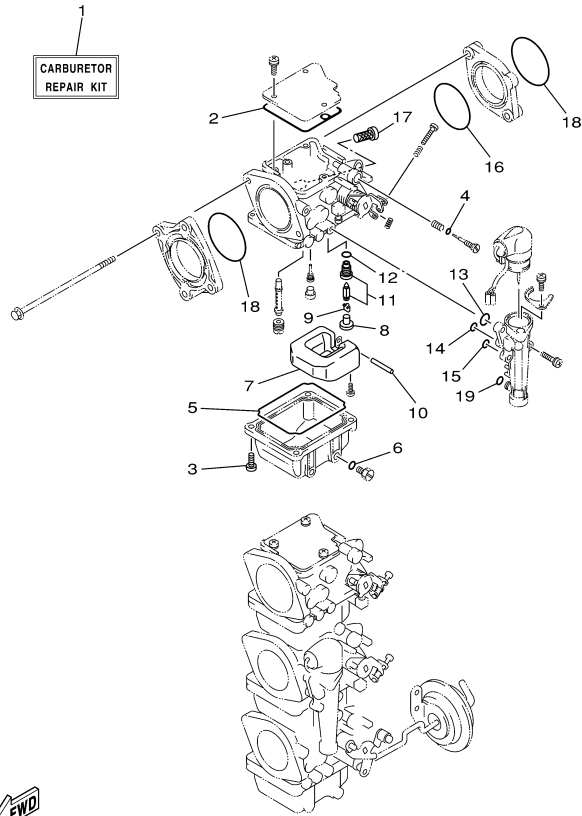
©2014 Yamaha Motor Corporation, U.S.A. All rights reserved.

## Part List

F90TLRC 2004 / REPAIR KIT 1

REF - NO	PART NUMBER	PART NAME	QUANTITY	REMARKS
1	67F-W0001-02-00	POWER HEAD GASKET KIT	1	
2	90430-08143-00	.GASKET	4	
3	93210-24M79-00	.O-RING	1	
4	67F-11181-02-00	.GASKET, CYLINDER HEAD 1	1	
5	93102-38M59-00	.OIL SEAL	2	
6	90430-14115-00	.GASKET	1	
7	67F-12435-A0-00	.GASKET	1	
8	68V-85753-00-00	.GASKET, SENDER UNIT	1	
9	67F-41114-A0-00	.GASKET, EXHAUST OUTER COVER	1	
10	93102-48009-00	.OIL SEAL	1	
11	93101-48002-00	.OIL SEAL	1	
12	68V-11351-00-00	.GASKET, CYLINDER	1	
13	67F-13645-00-00	.GASKET, MANIFOLD 1	1	
14	93210-41MJ2-00	.O-RING	4	
15	93210-30682-00	.O-RING	1	
16	67F-11356-00-00	.SEAL, CYLINDER 2	1	

F90TLRC 2004 / REPAIR KIT 2



67F0100-9380

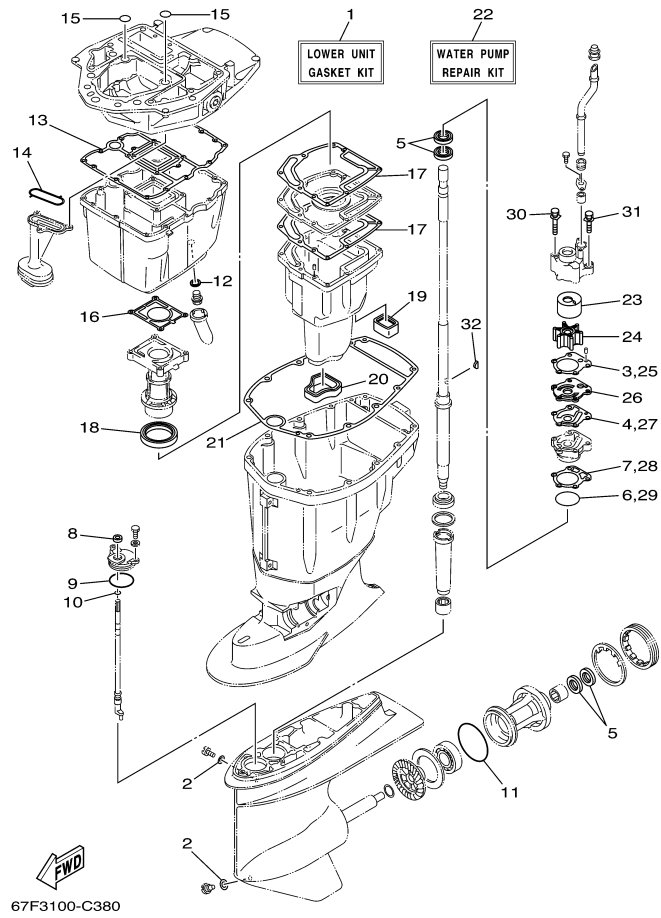
©2014 Yamaha Motor Corporation, U.S.A. All rights reserved.

## Part List

F90TLRC 2004 / REPAIR KIT 2

REF - NO	PART NUMBER	PART NAME	QUANTITY	REMARKS
1	67F-W0093-01-00	CARBURETOR REPAIR KIT	1	
2	67F-14147-00-00	.O-RING	1	
3	97980-04114-00	.SCREW, WITH WASHER	4	
4	67F-14397-00-00	.O-RING	1	
5	67F-14984-00-00	.GASKET, FLOAT CHAMBER	1	
6	93210-04230-00	.O-RING	1	
7	6H4-14985-01-00	.FLOAT	1	
8	676-14186-00-00	.PIN, FLOAT	1	
9	67F-14159-00-00	.CLIP	1	
10	6H4-14548-00-00	.PIN, FLOAT ARM	1	
11	60C-14590-01-00	.NEEDLE VALVE ASSY	1	
12	93210-04228-00	.O-RING	1	
13	67F-14398-00-00	.O-RING	1	
14	67F-14398-10-00	.O-RING	1	
15	67F-14398-20-00	.O-RING	1	
16	67F-14239-00-00	.SEAL	1	
17	67F-14371-01-00	.ELEMENT, FILTER	1	
18	93210-40M10-00	.O-RING	2	
19	67F-14398-30-00	.O-RING	1	

F90TLRC 2004 / REPAIR KIT 3



©2014 Yamaha Motor Corporation, U.S.A. All rights reserved.





## Part List

F90TLRC 2004 / REPAIR KIT 3

REF - NO	PART NUMBER	PART NAME	QUANTITY	REMARKS
1	67F-W0001-21-00	LOWER UNIT GASKET KIT	1	
2	90430-08020-00	.GASKET	2	
3	688-44315-A0-00	.GASKET, WATER PUMP	1	
4	688-44324-A0-00	.GASKET, CARTRIDGE	1	
5	93101-25M03-00	.OIL SEAL	4	
6	93210-46044-00	.O-RING	1	
7	688-44316-A0-00	.GASKET, WATER PUMP	1	
8	93106-09014-00	.OIL SEAL	1	
9	93210-49046-00	.O-RING	1	
10	93210-07003-00	.O-RING	1	
11	93210-86M39-00	.O-RING	1	
12	90430-14M09-00	.GASKET	1	
13	68V-15312-00-00	.GASKET, OIL PAN	1	
14	67F-13415-00-00	.SEAL, OIL STRAINER	1	
15	93210-19M11-00	.O-RING	2	
16	67F-41133-A1-00	.GASKET, EXHAUST MANIFOLD 1	1	
17	67F-41134-A0-00	.GASKET, EXHAUST MANIFOLD	2	
18	67F-41138-00-00	.SEAL, EXT 1	1	
19	67F-45127-00-00	.SEAL	1	
20	67F-45123-00-00	.GASKET, MUFFLER	1	
21	67F-45113-00-00	.GASKET, UPPER CASING	1	
22	67F-W0078-00-00	WATER PUMP REPAIR KIT	1	
23	67F-44322-00-00	.INSERT, CARTRIDGE	1	
24	67F-44352-00-00	.IMPELLER	1	
25	688-44315-A0-00	.GASKET, WATER PUMP	1	
26	67F-44323-00-00	.OUTER PLATE, CARTRIDGE	1	
27	688-44324-A0-00	.GASKET, CARTRIDGE	1	
28	688-44316-A0-00	.GASKET, WATER PUMP	1	
29	93210-46044-00	.O-RING	1	
30	90119-08M87-00	.BOLT, WITH WASHER	2	
31	90119-08M13-00	.BOLT, WITH WASHER	2	
32	90280-04M04-00	.KEY, WOODRUFF	1	

## Part Notes

F90TLRC 2004 / REPAIR KIT 3

PART NUMBER		NOTE TEXT
90430-08020-00		OEM: This part number is among the Top 100 Most Popular Marine Maintenance Parts as of March 2014.
93101-25M03-00		OEM: This part number is among the Top 100 Most Popular Marine Maintenance Parts as of March 2014.
93106-09014-00		OEM: This part number is among the Top 100 Most Popular Marine Maintenance Parts as of March 2014.
90430-14M09-00		OEM: This part number is among the Top 100 Most Popular Marine Maintenance Parts as of March 2014.

©2014 Yamaha Motor Corporation, U.S.A. All rights reserved.

F90TLRC 2004 / MODELS IN THIS CATALOG

**F75TLRC (62P2)**  
**F90TLRC (61P2)**  
**F90TJRC (61P2)**

**ALL THESE MODELS USE THIS SAME PARTS CATALOG.  
BE SURE TO ORDER ONLY THOSE PARTS APPLICABLE  
TO THE DESIRED MODEL.**

©2014 Yamaha Motor Corporation, U.S.A. All rights reserved.



©2014 Yamaha Motor Corporation, U.S.A. All rights reserved.