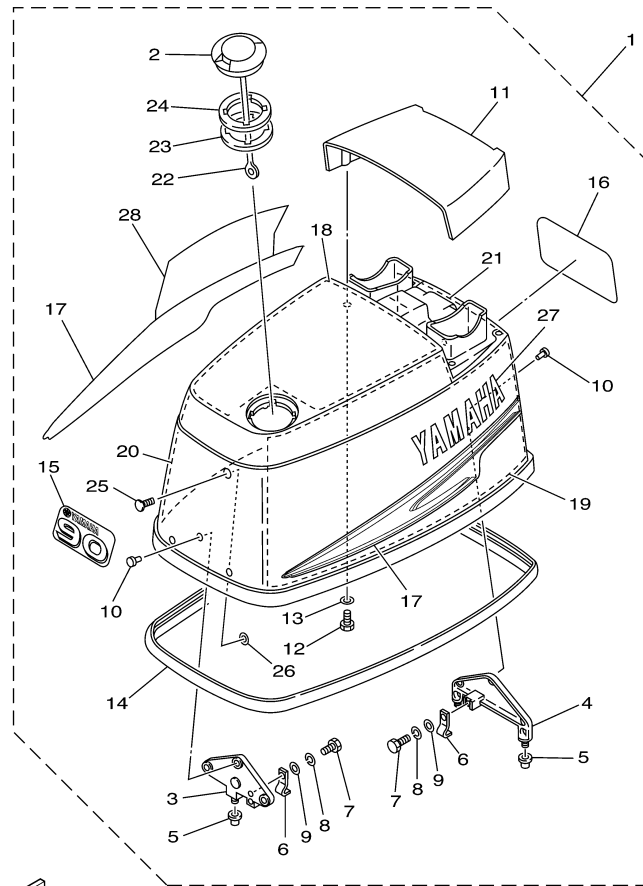


90TLR 0509 / TOP COWLING




6H14100-3010

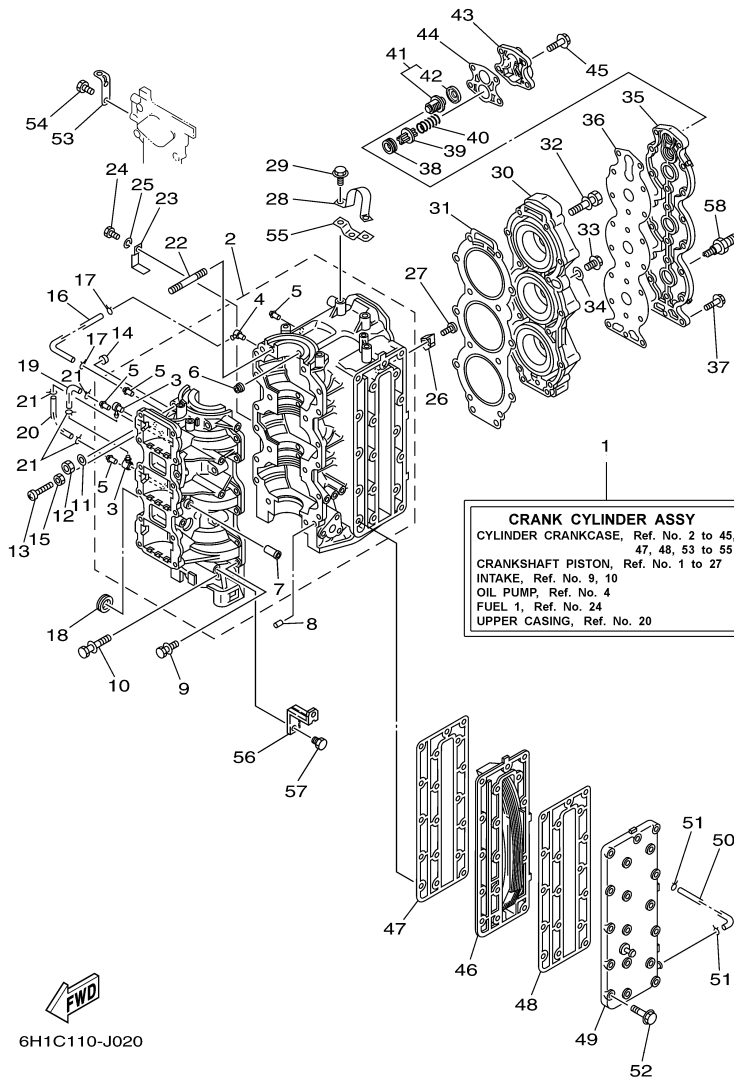
©2014 Yamaha Motor Corporation, U.S.A. All rights reserved.

Part List

90TLR 0509 / TOP COWLING

| REF - NO | PART NUMBER | PART NAME | QUANTITY | REMARKS |
|----------------|-----------------|---------------------|----------|---------|
| 1 | 6H1-42610-80-8D | TOP COWLING ASSY | 1 | |
| 2 | 63D-2177H-00-00 | .DISK CAP 2 | 1 | |
| 3 | 6H1-42647-00-94 | .HOLDER, CLAMP BAND | 1 | |
| 4 | 6H1-42649-00-94 | .HOLDER, CLAMP BAND | 1 | |
| 5 | 663-42662-00-00 | .DAMPER | 3 | |
| 6 | 688-42652-10-00 | .HOOK | 2 | |
| 7 | 97095-06016-00 | .BOLT | 2 | |
| 8 | 92995-06100-00 | .WASHER, SPRING | 2 | |
| 9 | 92995-06600-00 | .WASHER | 2 | |
| 10 | 90266-06009-00 | .RIVET | 6 | |
| 11 | 6H1-42613-01-8D | .MOLDING, AIR DUCT | 1 | |
| 12 | 97095-06016-00 | .BOLT | 4 | |
| 13 | 92995-06600-00 | .WASHER | 4 | |
| 14 | 688-42615-00-00 | .SEAL | 1 | |
| 15 | 6H1-42677-80-00 | .GRAPHIC, FRONT | 1 | |
| 16 | 6H1-42678-60-00 | .GRAPHIC, REAR | 1 | |
| 17 | 6H1-W0070-60-00 | .GRAPHIC SET | 1 | |
| 18 | 6H1-42617-10-00 | .DAMPER, FORM | 1 | |
| 19 | 6H1-42619-00-00 | .DAMPER, FORM | 1 | |
| 20 | 6H1-42627-00-00 | .DAMPER, FORM | 1 | |
| 21 | 6H1-42637-00-00 | .DAMPER, FORM | 1 | |
| 22 | 6H1-42694-00-00 | .BAND | 1 | |
| 23 | 6H3-21732-00-00 | .SEAL 1 | 1 | |
| 24 | 6H3-21735-00-00 | .SEAL 2 | 1 | |
| 25 | 90338-05M12-00 | .PLUG | 1 | |
| 26 | 90183-05M06-00 | .NUT, SPRING | 1 | |
| 27 | 6H1-42681-50-00 | .MARK, COWLING | 1 | |
| 28 | 6H1-42682-50-00 | .MARK, COWLING | 1 | |

90TLR 0509 / CYLINDER & CRANKCASE




6H1C110-J020

Part List



90TLR 0509 / CYLINDER & CRANKCASE

| REF - NO | PART NUMBER | PART NAME | QUANTITY | REMARKS |
|----------|-----------------|------------------------------|----------|--------------|
| 1 | 6H1-W0090-45-1S | CRANK CYLINDER ASSY (O/I) | 1 | |
| 2 | 6H1-15100-05-1S | CRANKCASE ASSY | 1 | |
| 3 | 688-11370-01-00 | .CHECK VALVE ASSY | 2 | |
| 4 | 650-11370-01-00 | .CHECK VALVE ASSY | 1 | |
| 5 | 624-14485-00-00 | .PIPE, JOINT | 4 | |
| 6 | 663-11518-01-00 | .LOCK BEARING | 3 | |
| 7 | 650-24378-00-00 | .PIPE, JOINT 4 | 1 | |
| 8 | 99530-08012-00 | PIN, DOWEL | 2 | |
| 9 | 90119-06M12-00 | BOLT, WITH WASHER | 12 | |
| 10 | 90119-10005-00 | BOLT, WITH WASHER | 6 | |
| 11 | 90201-10008-00 | WASHER, PLATE | 2 | |
| 12 | 95313-10600-00 | NUT | 2 | |
| 13 | 90157-06014-00 | SCREW, PAN HEAD | 1 | |
| 14 | 688-44194-00-00 | CAP | 1 | |
| 15 | 95303-06700-00 | NUT | 1 | |
| 16 | 90445-07260-00 | HOSE (L276) | 1 | |
| 17 | 90467-06016-00 | CLIP | 2 | |
| 18 | 90480-24M04-00 | GROMMET | 1 | |
| 19 | 90445-07M00-00 | HOSE (L100) | 1 | |
| 20 | 90445-07M23-00 | HOSE (L408) | 1 | |
| 21 | 90467-06016-00 | CLIP | 4 | |
| 22 | 90116-10M06-00 | BOLT, STUD | 2 | |
| 23 | 90465-12M03-00 | CLAMP | 1 | |
| 24 | 97095-06014-00 | BOLT | 1 | |
| 25 | 92995-06100-00 | WASHER, SPRING | 1 | |
| 26 | 688-11325-00-00 | ANODE | 2 | |
| 27 | 98780-04015-00 | SCREW, FLAT HEAD | 2 | |
| 28 | 688-11119-01-00 | HANGER, ENGINE | 1 | |
| 29 | 90119-08MA3-00 | BOLT, WITH WASHER | 2 | |
| 30 | 6H1-11111-01-1S | HEAD, CYLINDER 1 | 1 | |
| 31 | 688-11181-A2-00 | .GASKET, CYLINDER HEAD 1 | 1 | |
| 32 | 90119-08MA8-00 | BOLT, WITH WASHER | 14 | |
| 33 | 90340-14M00-00 | .PLUG, STRAIGHT SCREW | 1 | |
| 34 | 90430-14115-00 | .GASKET | 1 | |
| 35 | 688-11191-00-1S | COVER, CYLINDER HEAD 1 | 1 | |
| 36 | 688-11193-A1-00 | GASKET, HEAD COVER 1 | 1 | |
| 37 | 90119-06MA3-00 | BOLT, WITH WASHER | 18 | |
| 38 | 90480-20M05-00 | GROMMET | 1 | |
| 39 | 688-12416-00-00 | VALVE, PRESSURE CONTROL | 1 | |
| 40 | 90501-16M11-00 | SPRING, COMPRESSION | 1 | |
| 41 | 688-12411-11-00 | THERMOSTAT | 1 | |
| 42 | 688-12412-00-00 | .SEAL, THERMOSTAT | 1 | |
| 43 | 688-12413-00-1S | COVER, THERMOSTAT | 1 | |
| 44 | 688-12414-A1-00 | .GASKET, COVER | 1 | |
| 45 | 90119-06MA5-00 | BOLT, WITH WASHER | 4 | |
| 46 | 688-41111-00-1S | INNER COVER, EXHAUST | 1 | |
| 47 | 688-41112-A0-00 | GASKET, EXHAUST INNER COVER | 1 | |
| 48 | 688-41114-A0-00 | .GASKET, EXHAUST OUTER COVER | 1 | |
| 49 | 6H1-41113-00-1S | OUTER COVER, EXHAUST | 1 | FLUSHING KIT |
| 50 | 663-24312-01-00 | PIPE 2 | 1 | |
| 51 | 90467-08004-00 | CLIP | 2 | |
| 52 | 90119-08020-00 | BOLT, WITH WASHER | 18 | |
| 53 | 6H1-15772-00-00 | STAY 2 | 1 | |

| | | | | |
|----|-----------------|---------------------------|---|--|
| 54 | 97095-06012-00 | BOLT | 2 | |
| 55 | 6H1-15773-01-00 | STAY 3 | 1 | |
| 56 | 6H1-21796-00-00 | HINGE | 1 | |
| 57 | 97095-08012-00 | BOLT | 1 | |
| 58 | NGK-B8HS1-00-00 | PLUG, SPARK (NGK B8HS-10) | 3 | |

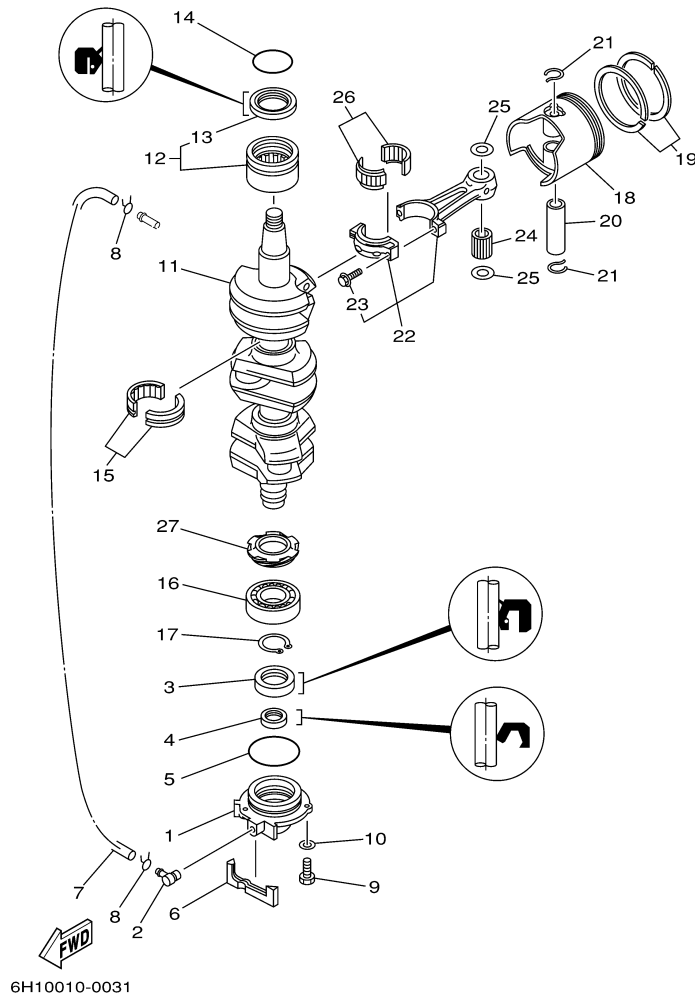
Part Notes

90TLR 0509 / CYLINDER & CRANKCASE

| PART NUMBER | | NOTE TEXT |
|-----------------|---|--|
| 90480-20M05-00 |  | OEM: This part number is among the Top 100 Most Popular Marine Maintenance Parts as of March 2014. |
| 688-12414-A1-00 |  | OEM: This part number is among the Top 100 Most Popular Marine Maintenance Parts as of March 2014. |

©2014 Yamaha Motor Corporation, U.S.A. All rights reserved.

90TLR 0509 / CRANKSHAFT & PISTON



©2014 Yamaha Motor Corporation, U.S.A. All rights reserved.


Part List

90TLR 0509 / CRANKSHAFT & PISTON

| REF - NO | PART NUMBER | PART NAME | QUANTITY | REMARKS |
|----------|-----------------|------------------------------|----------|---------|
| 1 | 6H1-15359-01-94 | HOUSING, OIL SEAL | 1 | |
| 2 | 688-11370-01-00 | CHECK VALVE ASSY | 1 | |
| 3 | 93102-30M05-00 | .OIL SEAL | 1 | |
| 4 | 93104-20M02-00 | OIL SEAL | 1 | |
| 5 | 93210-62269-00 | O-RING | 1 | |
| 6 | 688-15379-00-00 | SEAL, CRANKCASE | 1 | |
| 7 | 90445-07M86-00 | HOSE (L460) | 1 | |
| 8 | 90467-06016-00 | CLIP | 2 | |
| 9 | 97095-06020-00 | BOLT | 3 | |
| 10 | 92995-06600-00 | WASHER | 3 | |
| 11 | 688-11411-01-00 | CRANKSHAFT | 1 | |
| 12 | 93310-636U4-00 | BEARING | 1 | |
| 13 | 93102-36M02-00 | .OIL SEAL | 1 | |
| 14 | 93210-46M16-00 | .O-RING | 1 | |
| 15 | 93310-835U8-00 | BEARING | 2 | |
| 16 | 93306-206U5-00 | BEARING | 1 | |
| 17 | 93410-32M00-00 | CIRCLIP | 1 | |
| 18 | 6H1-11635-03-00 | PISTON (0.25MM O/S) | 3 | AP |
| 18 | 6H1-11636-03-00 | PISTON (0.50MM O/S) | 3 | AP |
| 18 | 6H1-11631-03-95 | PISTON (STD) | 3 | |
| 19 | 688-11603-A0-00 | PISTON RING SET (STD) | 3 | |
| 19 | 688-11605-A0-00 | PISTON RING SET (0.50MM O/S) | 3 | AP |
| 19 | 688-11604-A0-00 | PISTON RING SET (0.25MM O/S) | 3 | AP |
| 20 | 663-11633-00-00 | PIN, PISTON | 3 | |
| 21 | 688-11634-10-00 | CLIP, PISTON PIN | 6 | |
| 22 | 688-11650-03-00 | CONNECTING ROD ASSY | 3 | |
| 23 | 90109-08022-00 | .BOLT | 2 | |
| 24 | 93603-21111-00 | PIN, DOWEL | 84 | |
| 25 | 90201-20417-00 | WASHER, PLATE | 6 | |
| 26 | 93310-730V8-00 | BEARING | 3 | |
| 27 | 6H1-11536-00-00 | GEAR, DRIVE | 1 | |

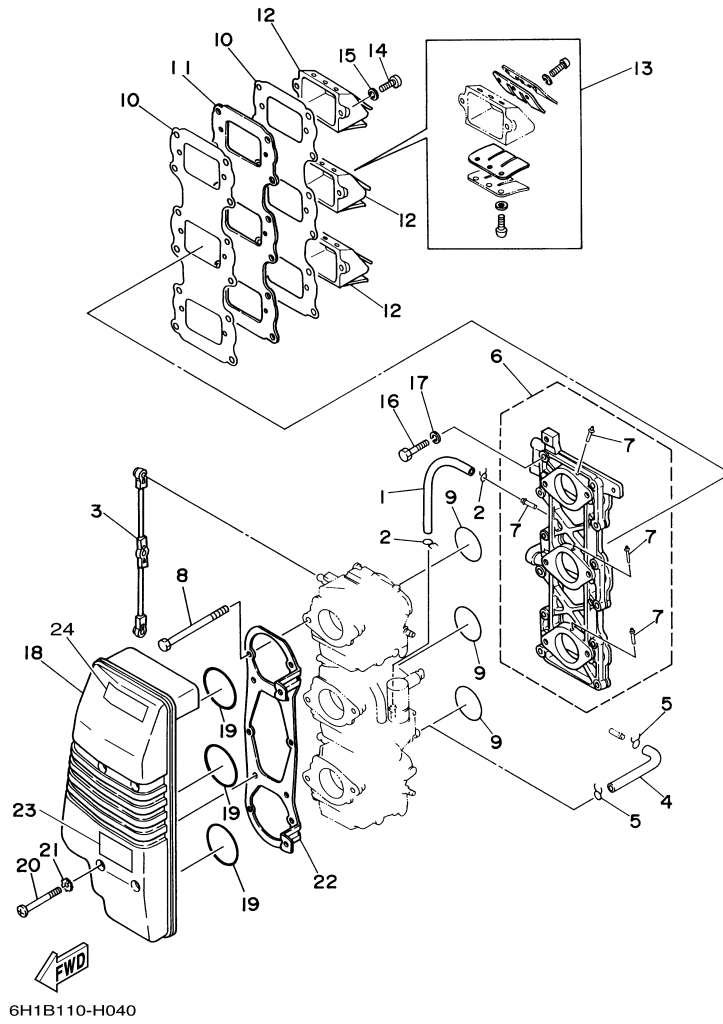
Part Notes

90TLR 0509 / CRANKSHAFT & PISTON

| PART NUMBER | NOTE TEXT |
|--|--|
| 93603-21111-00  | OEM: This part number is among the Top 100 Most Popular Marine Maintenance Parts as of March 2014. |

©2014 Yamaha Motor Corporation, U.S.A. All rights reserved.

90TLR 0509 / INTAKE



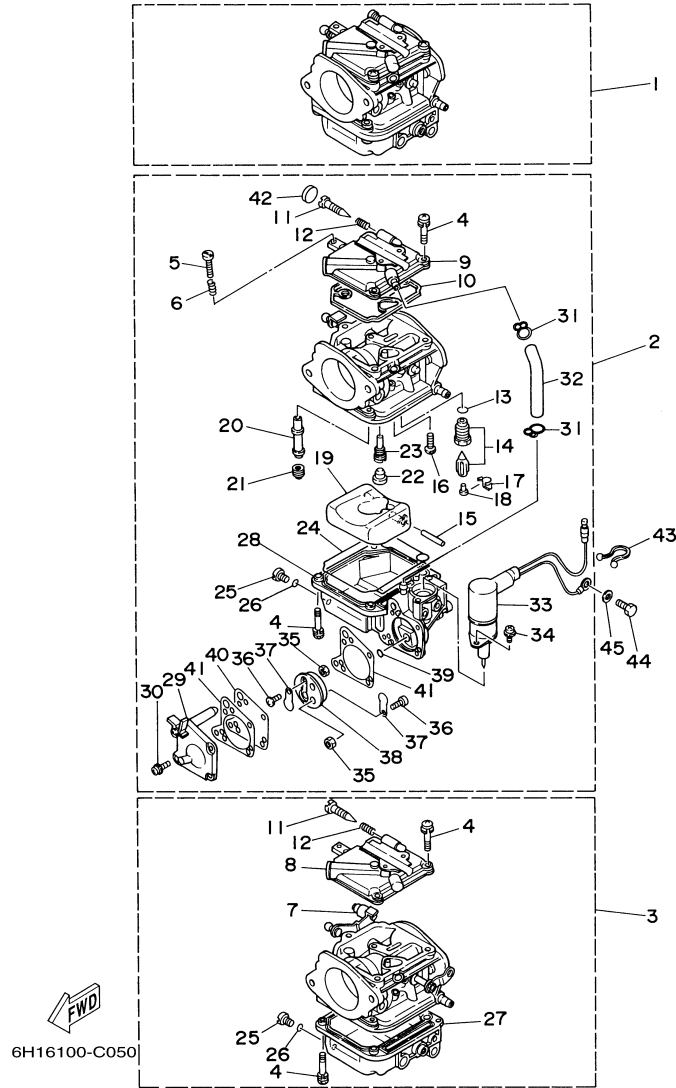
©2014 Yamaha Motor Corporation, U.S.A. All rights reserved.

Part List

90TLR 0509 / INTAKE

| REF - NO | PART NUMBER | PART NAME | QUANTITY | REMARKS |
|----------------|-----------------|-----------------------|----------|---------|
| 1 | 90445-07M23-00 | HOSE (L408) | 1 | |
| 2 | 90467-06016-00 | CLIP | 2 | |
| 3 | 688-41217-01-00 | ROD, ACCEL. LEVER | 1 | |
| 4 | 6H3-14349-00-00 | .PIPE | 1 | |
| 5 | 90467-08004-00 | CLIP | 2 | |
| 6 | 6H1-13641-02-94 | MANIFOLD 1 | 1 | |
| 7 | 6H1-14485-00-00 | .PIPE, JOINT | 4 | |
| 8 | 97095-06095-00 | BOLT | 6 | |
| 9 | 93210-39ME4-00 | .O-RING | 3 | |
| 10 | 688-13621-A1-00 | .GASKET, VALVE SEAT | 2 | |
| 11 | 688-13624-00-00 | PLATE, REED VALVE | 1 | |
| 12 | 688-13610-00-00 | REED VALVE ASSY | 3 | |
| 13 | 688-W0004-00-00 | .REED SET | 1 | |
| 14 | 97880-05020-00 | SCREW, PAN HEAD | 6 | |
| 15 | 92990-05100-00 | .WASHER, SPRING | 6 | |
| 16 | 97013-06030-00 | BOLT | 12 | |
| 17 | 92903-06100-00 | WASHER, SPRING | 12 | |
| 18 | 6H1-14440-02-00 | SILENCER ASSY, INTAKE | 1 | |
| 19 | 93210-46044-00 | O-RING | 3 | |
| 20 | 97885-06050-00 | SCREW, PAN HEAD | 4 | |
| 21 | 90209-06M05-00 | WASHER | 4 | |
| 22 | 6H1-14413-02-00 | STAY | 1 | |
| 23 | 6H1-85711-60-00 | MARK, CAUTION | 1 | |
| 24 | 6AH-81994-40-00 | LABEL, SAFETY | 1 | |

90TLR 0509 / CARBURETOR



©2014 Yamaha Motor Corporation, U.S.A. All rights reserved.


Part List

90TLR 0509 / CARBURETOR

| REF - NO | PART NUMBER | PART NAME | QUANTITY | REMARKS |
|----------|-----------------|------------------------|----------|---------|
| 1 | 6H1-14301-30-00 | CARBURETOR ASSY 1 | 1 | |
| 2 | 6H1-14302-30-00 | CARBURETOR ASSY 2 | 1 | |
| 3 | 6H1-14303-30-00 | CARBURETOR ASSY 3 | 1 | |
| 4 | 97980-04114-00 | .SCREW, WITH WASHER | 21 | |
| 5 | 63V-14523-00-00 | .SCREW, STOP | 1 | #2 |
| 6 | 90501-10326-00 | .SPRING, COMPRESSION | 1 | #2 |
| 7 | 6H2-14578-00-00 | .COLLAR | 1 | #3 |
| 8 | 6H4-14146-20-00 | .PLATE | 2 | #1,3 |
| 9 | 6H3-14146-20-00 | .PLATE | 1 | #2 |
| 10 | 6H4-14147-00-00 | .O-RING | 3 | |
| 11 | 692-14923-00-00 | .SCREW, PILOT | 3 | |
| 12 | 697-14555-00-00 | .SPRING | 3 | |
| 13 | 93210-04228-00 | .O-RING | 3 | |
| 14 | 692-14590-01-00 | .NEEDLE VALVE ASSY | 3 | |
| 15 | 6H4-14548-00-00 | .PIN, FLOAT ARM | 3 | |
| 16 | 98580-04008-00 | .SCREW, PAN HEAD | 3 | |
| 17 | 663-14159-00-00 | .CLIP | 3 | |
| 18 | 676-14186-00-00 | .PIN, FLOAT | 3 | |
| 19 | 6H4-14985-01-00 | .FLOAT | 3 | |
| 20 | 6H1-14947-75-00 | .JET, NEEDLE | 3 | |
| 21 | 6H1-14943-39-00 | .JET, MAIN (#160) | 3 | |
| 22 | 676-14966-00-00 | .CAP | 3 | |
| 23 | 6H1-14948-18-00 | .JET (#78) | 3 | |
| 24 | 6H4-14984-00-00 | .GASKET, FLOAT CHAMBER | 3 | |
| 25 | 6H3-14992-00-00 | .SCREW, DRAIN | 3 | |
| 26 | 93210-04230-00 | .O-RING | 3 | |
| 27 | 6H4-14980-00-00 | .BODY, FLOAT CHAMBER | 2 | #1,3 |
| 28 | 6H3-14980-10-00 | .BODY, FLOAT CHAMBER | 1 | #2 |
| 29 | 6H3-24452-10-00 | .COVER | 1 | #2 |
| 30 | 6H4-14567-00-00 | .SCREW | 4 | #2 |
| 31 | 6H3-14137-00-00 | .CLIP | 2 | #2 |
| 32 | 6H3-14349-00-00 | .PIPE | 1 | #2 |
| 33 | 6H3-14380-00-00 | .STARTER ASSY | 1 | #2 |
| 34 | 97803-04010-00 | .SCREW, PAN HEAD | 2 | #2 |
| 35 | 95380-03600-00 | .NUT | 2 | #2 |
| 36 | 98980-03006-00 | .SCREW, BIND | 2 | #2 |
| 37 | 6L5-24421-00-00 | .VALVE, CHECK | 2 | #2 |
| 38 | 6H4-24413-00-00 | .BODY 2 | 1 | #2 |
| 39 | 6H4-24486-00-00 | .O-RING | 1 | #2 |
| 40 | 6H3-24411-10-00 | .DIAPHRAGM | 1 | #2 |
| 41 | 6H3-24434-10-00 | .GASKET, BODY | 2 | #2 |
| 42 | 67C-1432A-00-00 | .PLUG | 3 | |
| 43 | 90465-18147-00 | CLAMP | 1 | |
| 44 | 97013-06012-00 | BOLT | 1 | |
| 45 | 92903-06600-00 | WASHER, PLATE | 1 | |

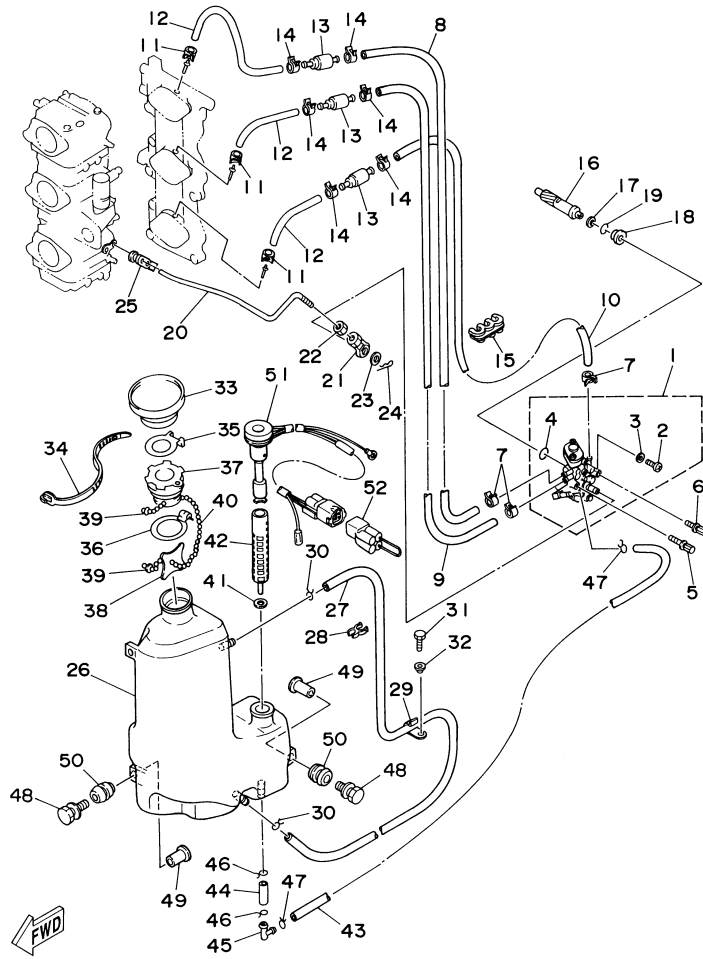
Part Notes

90TLR 0509 / CARBURETOR

| PART NUMBER | NOTE TEXT |
|-----------------|---|
| 6H3-14380-00-00 |  OEM: The O-Ring for sealing this part to the carburetor body is not shown separately. The Part Number for the O-Ring is 93210-17001-00. |

©2014 Yamaha Motor Corporation, U.S.A. All rights reserved.

90TLR 0509 / OIL PUMP



6H10010-0060

©2014 Yamaha Motor Corporation, U.S.A. All rights reserved.


Part List

90TLR 0509 / OIL PUMP

| REF - NO | PART NUMBER | PART NAME | QUANTITY | REMARKS |
|----------|-----------------|-------------------------|----------|---------|
| 1 | 6H1-13200-02-00 | OIL INJECTION PUMP ASSY | 1 | |
| 2 | 6R3-13471-00-00 | .PLUG, DRAIN | 1 | |
| 3 | 6L2-13475-00-00 | .GASKET | 1 | |
| 4 | 93210-19MA7-00 | .O-RING | 1 | |
| 5 | 90109-06M39-00 | BOLT | 1 | |
| 6 | 90109-06M40-00 | BOLT | 1 | |
| 7 | 90468-07M02-00 | CLIP | 3 | |
| 8 | 90445-07M90-00 | HOSE (L390) | 1 | |
| 9 | 90445-07240-00 | HOSE (L330) | 1 | |
| 10 | 90445-07M44-00 | HOSE (L250) | 1 | |
| 11 | 90468-07M02-00 | CLIP | 3 | |
| 12 | 90445-07M87-00 | HOSE (L110) | 3 | |
| 13 | 6E9-13183-70-00 | VALVE, CHECK | 3 | |
| 14 | 90468-07M02-00 | CLIP | 6 | |
| 15 | 90464-07M05-00 | CLAMP | 1 | |
| 16 | 6H1-11537-01-00 | GEAR, DRIVEN | 1 | |
| 17 | 90201-08M93-00 | WASHER, PLATE | 1 | |
| 18 | 6H1-13117-01-00 | COLLAR, DISTANCE | 1 | |
| 19 | 93210-13M04-00 | O-RING | 1 | |
| 20 | 6H1-41241-02-00 | ROD, LINK | 1 | |
| 21 | 6H1-41237-00-00 | JOINT, LINK | 1 | |
| 22 | 95380-05600-00 | NUT | 1 | |
| 23 | 90202-05088-00 | WASHER, PLATE | 1 | |
| 24 | 90468-05M03-00 | CLIP | 1 | |
| 25 | 6E9-41237-00-00 | JOINT, LINK | 1 | |
| 26 | 6H1-21707-07-00 | OIL TANK COMP. | 1 | |
| 27 | 90445-11M09-00 | HOSE (L600) | 1 | |
| 28 | 90464-11M24-00 | CLAMP | 1 | |
| 29 | 90465-11M27-00 | CLAMP | 1 | |
| 30 | 90467-11M08-00 | CLIP | 2 | |
| 31 | 97095-06016-00 | BOLT | 1 | |
| 32 | 90387-06M31-00 | .COLLAR | 1 | |
| 33 | 6H1-21752-00-00 | TUBE, FILLER 1 | 1 | |
| 34 | 90465-13M30-00 | CLAMP | 1 | |
| 35 | 63D-2176M-00-00 | HOOK | 1 | |
| 36 | 63D-2175R-00-00 | HOOK, BAND | 1 | |
| 37 | 6H4-21770-00-00 | OIL TANK CAP ASSY | 1 | |
| 38 | 6J8-21758-00-00 | WASHER, SPECIAL 2 | 1 | |
| 39 | 6H1-21757-00-00 | WASHER, SPECIAL 1 | 2 | |
| 40 | 6H1-24633-00-00 | CHAIN, BALL | 1 | |
| 41 | 6J8-13414-00-00 | GASKET, STRAINER COVER | 1 | |
| 42 | 6H1-13411-00-00 | STRAINER, OIL | 1 | |
| 43 | 6H1-21766-01-00 | PIPE, OIL | 1 | |
| 44 | 90445-08M01-00 | HOSE (L30) | 1 | |
| 45 | 6H1-13435-00-00 | NIPPLE | 1 | |
| 46 | 90467-12M11-00 | CLIP | 2 | |
| 47 | 90467-08004-00 | CLIP | 2 | |
| 48 | 90119-06M88-00 | BOLT, WITH WASHER | 3 | |
| 49 | 90387-06119-00 | COLLAR | 3 | |
| 50 | 6A0-82317-00-00 | DAMPER, IGNITION COIL | 3 | |
| 51 | 6H1-85720-16-00 | OIL LEVEL GAUGE ASSY | 1 | |
| 52 | 6R5-82582-B0-00 | COVER, WIRE HARNESS | 1 | AP |

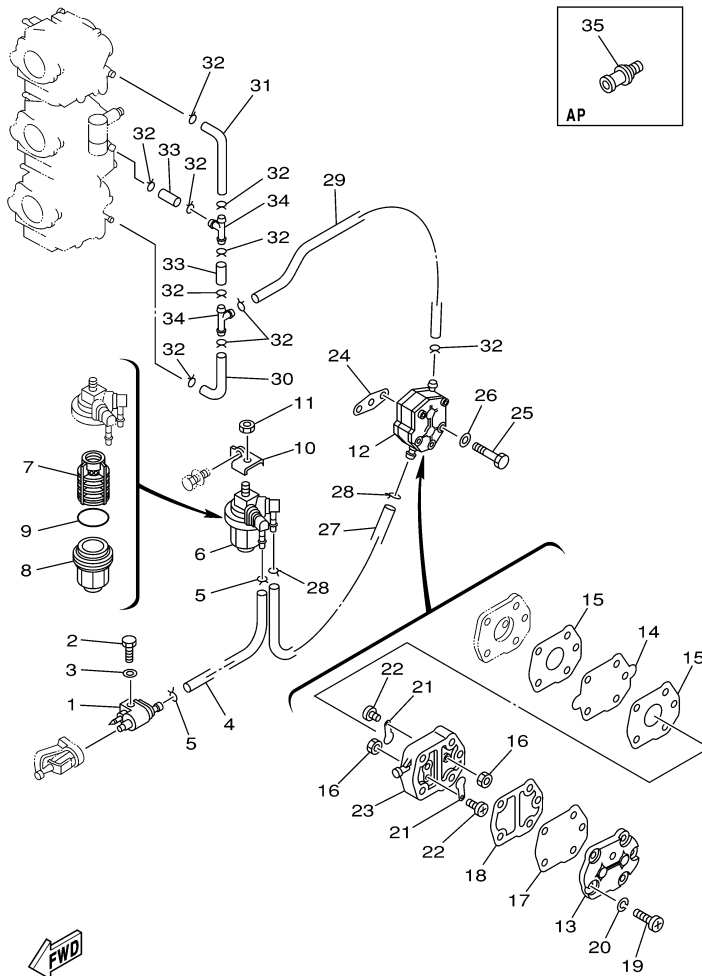
Part Notes

90TLR 0509 / OIL PUMP

| PART NUMBER | | NOTE TEXT |
|-----------------|---|--|
| 6H1-41237-00-00 |  | OEM: This part number is among the Top 100 Most Popular Marine Maintenance Parts as of March 2014. |

©2014 Yamaha Motor Corporation, U.S.A. All rights reserved.

90TLR 0509 / FUEL 1




6H10010-0070



Part List

90TLR 0509 / FUEL 1

| REF - NO | PART NUMBER | PART NAME | QUANTITY | REMARKS |
|----------|-----------------|-------------------------|----------|-------------|
| 1 | 6G1-24304-02-00 | FUEL PIPE JOINT COMP. 1 | 1 | |
| 2 | 97095-06020-00 | BOLT | 1 | |
| 3 | 92995-06600-00 | WASHER | 1 | |
| 4 | 90445-09104-00 | HOSE (L300) | 1 | |
| 5 | 90467-08004-00 | CLIP | 2 | |
| 6 | 61N-24560-00-00 | FILTER ASSY | 1 | |
| 7 | 61N-24563-00-00 | .ELEMENT, FILTER | 1 | |
| 8 | 61N-24521-00-00 | .CUP, FILTER | 1 | |
| 9 | 93210-32738-00 | .O-RING | 1 | |
| 10 | 6H1-24566-01-00 | BRACKET, FILTER | 1 | |
| 11 | 95380-08600-00 | NUT | 1 | |
| 12 | 692-24410-00-00 | FUEL PUMP ASSY | 1 | |
| 13 | 6A0-24413-00-00 | .BODY 2 | 1 | |
| 14 | 692-24411-00-00 | .DIAPHRAGM | 1 | |
| 15 | 648-24434-01-00 | .GASKET, BODY | 2 | |
| 16 | 95380-03600-00 | .NUT | 2 | |
| 17 | 663-24411-00-00 | .DIAPHRAGM | 1 | |
| 18 | 648-24435-02-00 | .GASKET, BODY 2 | 1 | |
| 19 | 98503-05028-00 | .SCREW, PAN HEAD | 3 | |
| 20 | 92990-05100-00 | .WASHER, SPRING | 3 | |
| 21 | 6A0-24421-01-00 | .VALVE, CHECK | 2 | |
| 22 | 6A0-14325-00-00 | .SCREW, PAN HEAD | 2 | |
| 23 | 6A0-24412-02-00 | .BODY 1 | 1 | |
| 24 | 650-24431-A0-00 | GASKET, FUEL PUMP 1 | 1 | |
| 25 | 97095-06040-00 | .BOLT | 2 | |
| 26 | 92995-06600-00 | WASHER | 2 | |
| 27 | 6H1-24314-00-00 | PIPE 4 | 1 | |
| 28 | 90467-08004-00 | CLIP | 2 | |
| 29 | 90445-09097-00 | HOSE (L250) | 1 | |
| 30 | 688-24313-00-00 | PIPE 3 | 1 | |
| 31 | 688-24314-00-00 | PIPE 4 | 1 | |
| 32 | 90467-08004-00 | CLIP | 10 | |
| 33 | 90445-09220-00 | HOSE (L30) | 2 | |
| 34 | 688-24378-00-00 | PIPE, JOINT 3 | 2 | |
| 35 | 6E0-28193-00-94 | PLUG, WATER CHECK | 1 | AP D:12.5MM |

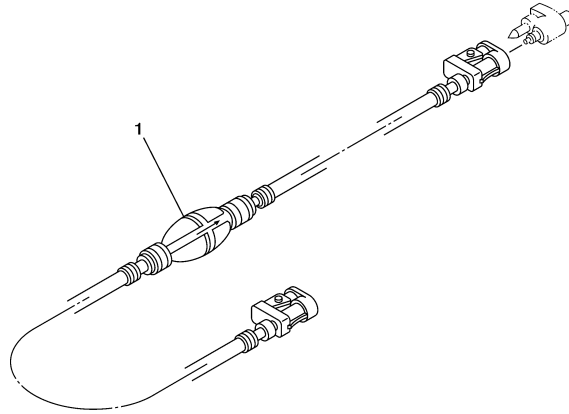
Part Notes

90TLR 0509 / FUEL 1

| PART NUMBER | | NOTE TEXT |
|-----------------|---|--|
| 692-24410-00-00 |  | OEM: This part number is among the Top 100 Most Popular Marine Maintenance Parts as of March 2014. |
| 650-24431-A0-00 |  | OEM: This part number is among the Top 100 Most Popular Marine Maintenance Parts as of March 2014. |

©2014 Yamaha Motor Corporation, U.S.A. All rights reserved.

90TLR 0509 / FUEL 2



6BP1110-H100

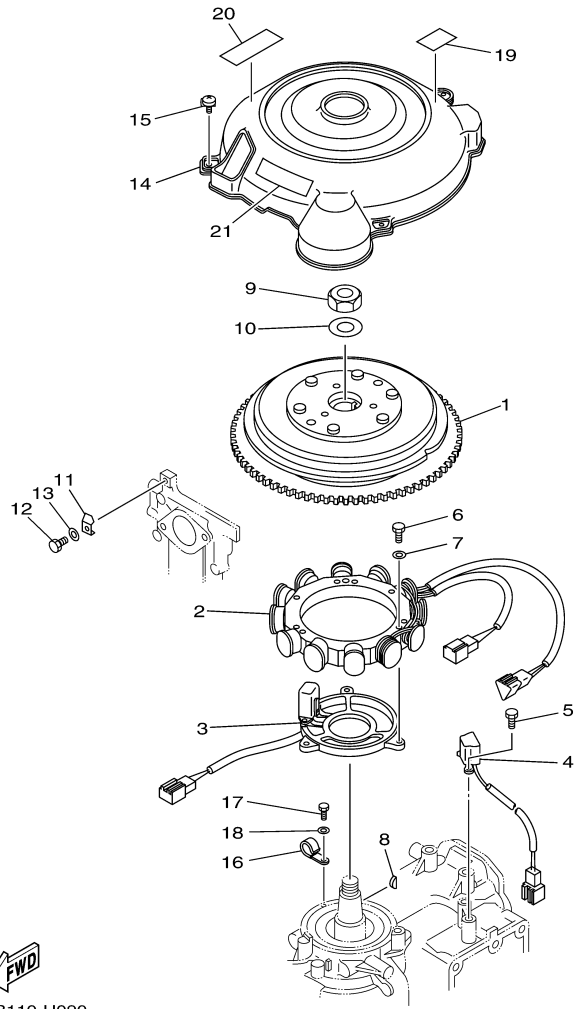
©2014 Yamaha Motor Corporation, U.S.A. All rights reserved.

Part List

90TLR 0509 / FUEL 2

| REF - NO | PART NUMBER | PART NAME | QUANTITY | REMARKS |
|----------------|-----------------|-------------------|----------|---------|
| 1 | 6YK-24306-60-00 | FUEL PIPE COMP. 1 | 1 | AP |

90TLR 0509 / GENERATOR



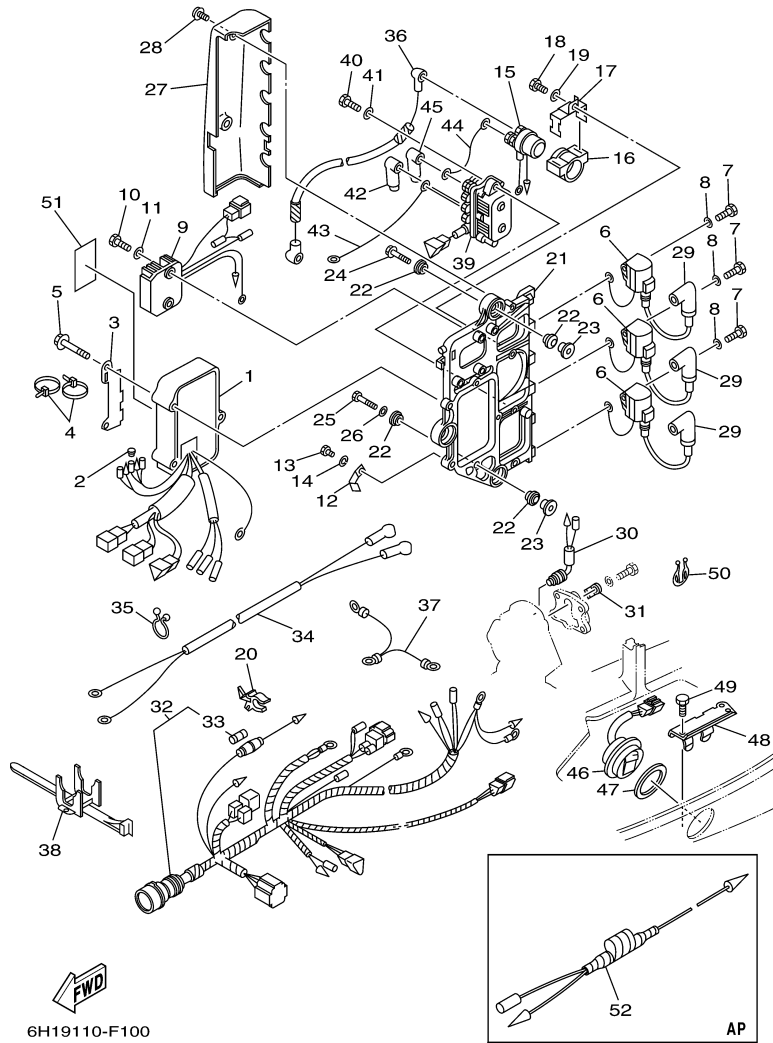
©2014 Yamaha Motor Corporation, U.S.A. All rights reserved.

Part List

90TLR 0509 / GENERATOR

| REF - NO | PART NUMBER | PART NAME | QUANTITY | REMARKS |
|----------------|-----------------|-----------------------|----------|---------|
| 1 | 6H0-85550-00-00 | ROTOR ASSY | 1 | |
| 2 | 6H0-85510-03-00 | STATOR ASSY | 1 | |
| 3 | 6H0-85580-01-00 | COIL, PULSER | 1 | |
| 4 | 6H2-85895-01-00 | CRANK POSITION SENDER | 1 | |
| 5 | 97095-05012-00 | BOLT | 2 | |
| 6 | 97095-06040-00 | .BOLT | 3 | |
| 7 | 92995-06600-00 | WASHER | 3 | |
| 8 | 90280-05015-00 | KEY, WOODRUFF | 1 | |
| 9 | 90170-20137-00 | NUT | 1 | |
| 10 | 90201-21M18-00 | WASHER, PLATE | 1 | |
| 11 | 688-81332-01-00 | PLATE, TIMING | 1 | |
| 12 | 97095-06010-00 | BOLT | 1 | |
| 13 | 92995-06600-00 | WASHER | 1 | |
| 14 | 6H1-81337-01-00 | COVER, FLYWHEEL | 1 | |
| 15 | 90159-06M20-00 | SCREW, WITH WASHER | 3 | |
| 16 | 90465-06M90-00 | CLAMP | 1 | |
| 17 | 97095-06012-00 | BOLT | 1 | |
| 18 | 92995-06600-00 | WASHER | 1 | |
| 19 | 6H1-14488-00-00 | LABEL, CAUTION | 1 | |
| 20 | 6AH-81995-40-00 | LABEL, WARNING | 1 | |
| 21 | 6AG-81996-00-00 | MARK | 1 | |

90TLR 0509 / ELECTRICAL



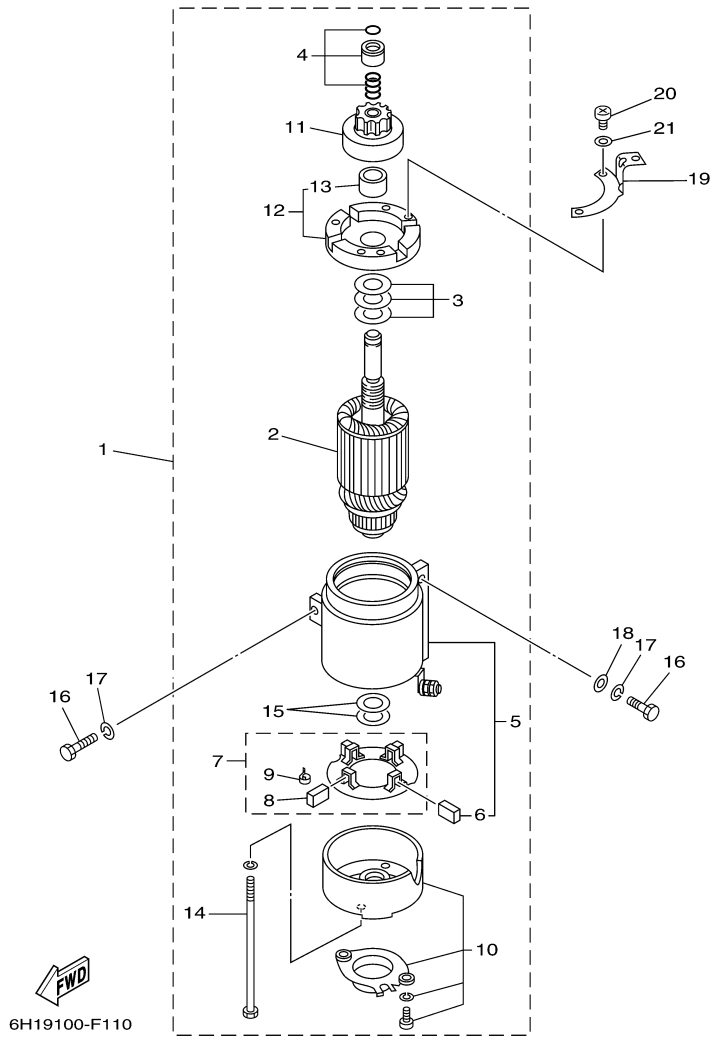
©2014 Yamaha Motor Corporation, U.S.A. All rights reserved.

Part List

90TLR 0509 / ELECTRICAL

| REF - NO | PART NUMBER | PART NAME | QUANTITY | REMARKS |
|----------------|-----------------|-------------------------------|----------|---------|
| 1 | 6H0-85540-07-00 | C.D.I. UNIT ASSY | 1 | |
| 2 | 703-82119-00-00 | COVER, LEAD WIRE | 1 | |
| 3 | 6H1-85542-10-00 | BRACKET | 1 | |
| 4 | 90465-13M11-00 | CLAMP | 2 | |
| 5 | 97595-06550-00 | BOLT, WITH WASHER | 3 | |
| 6 | 697-85570-00-00 | IGNITION COIL ASSY | 3 | |
| 7 | 97013-06020-00 | BOLT | 3 | |
| 8 | 92903-06600-00 | WASHER, PLATE | 3 | |
| 9 | 6H0-81960-10-00 | RECTIFIER & REGULATOR ASSY | 1 | |
| 10 | 97095-06020-00 | BOLT | 2 | |
| 11 | 92995-06600-00 | WASHER | 2 | |
| 12 | 90465-08M23-00 | CLAMP | 1 | |
| 13 | 97095-06012-00 | BOLT | 1 | |
| 14 | 92995-06100-00 | WASHER, SPRING | 1 | |
| 15 | 6G1-81941-10-00 | STARTER RELAY ASSY | 1 | |
| 16 | 6G1-81952-00-00 | HOLDER, RELAY | 1 | |
| 17 | 6E9-81945-70-00 | PLATE, SWITCH FITTING | 1 | |
| 18 | 97013-06016-00 | BOLT | 1 | |
| 19 | 92903-06600-00 | WASHER, PLATE | 1 | |
| 20 | 6G5-82152-00-00 | HOLDER, FUSE | 1 | |
| 21 | 6H1-85542-00-94 | BRACKET | 1 | |
| 22 | 90480-09M25-00 | GROMMET | 6 | |
| 23 | 90387-06M03-00 | COLLAR | 3 | |
| 24 | 90119-06M75-00 | BOLT, WITH WASHER | 2 | |
| 25 | 90109-06M39-00 | BOLT | 1 | |
| 26 | 90201-06M31-00 | .WASHER, PLATE | 1 | |
| 27 | 6H1-81916-00-00 | COVER, TERMINAL | 1 | |
| 28 | 90159-06M11-00 | SCREW, WITH WASHER | 2 | |
| 29 | 6E3-82370-21-00 | PLUG CAP ASSY | 3 | |
| 30 | 688-82560-10-00 | THERMO SWITCH ASSY | 1 | |
| 31 | 688-82588-01-00 | PLATE | 1 | |
| 32 | 6H0-82590-80-00 | WIRE HARNESS ASSY (10P) | 1 | |
| 33 | 663-82151-00-00 | .FUSE (12V-20A) | 1 | |
| 34 | 6H0-82105-J1-00 | BATTERY CABLE | 1 | |
| 35 | 90464-23M22-00 | CLAMP | 1 | |
| 36 | 6H0-82117-00-00 | WIRE, LEAD | 1 | |
| 37 | 697-82519-00-00 | WIRE, EARTH LEAD | 1 | |
| 38 | 688-82594-00-00 | CLAMP | 1 | |
| 39 | 61A-81950-00-00 | RELAY ASSY | 1 | |
| 40 | 97095-06025-00 | BOLT | 2 | |
| 41 | 92995-06600-00 | WASHER | 2 | |
| 42 | 682-82119-01-00 | COVER, LEAD WIRE | 2 | |
| 43 | 6H0-81949-10-00 | WIRE, LEAD | 1 | |
| 44 | 6H0-81949-01-00 | WIRE, LEAD | 1 | |
| 45 | 682-82119-01-00 | COVER, LEAD WIRE | 1 | |
| 46 | 6H1-82563-10-00 | TRIM & TILT SWITCH ASSY | 1 | |
| 47 | 6E5-82587-00-00 | GASKET | 1 | |
| 48 | 6H1-83614-00-00 | BRACKET | 1 | |
| 49 | 97095-06016-00 | BOLT | 1 | |
| 50 | 90464-18M14-00 | CLAMP | 1 | |
| 51 | 6R5-85711-60-00 | MARK, CAUTION | 1 | |
| 52 | 6H4-81315-11-00 | LEAD WIRE ASSY | 1 | AP |

90TLR 0509 / STARTING MOTOR



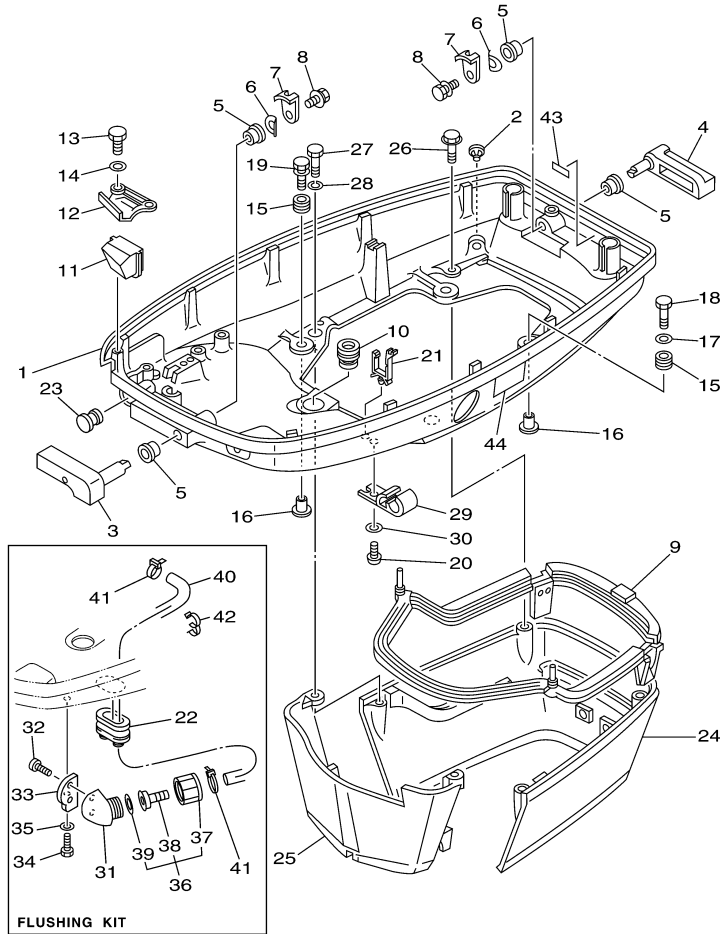
©2014 Yamaha Motor Corporation, U.S.A. All rights reserved.

Part List

90TLR 0509 / STARTING MOTOR

| REF - NO | PART NUMBER | PART NAME | QUANTITY | REMARKS |
|----------------|-----------------|---------------------|----------|---------|
| 1 | 688-81800-12-00 | STARTING MOTOR ASSY | 1 | |
| 2 | 676-81850-11-00 | .ARMATURE ASSY | 1 | |
| 3 | 676-81809-10-00 | .WASHER KIT | 1 | |
| 4 | 676-81857-10-00 | .PINION STOPPER SET | 1 | |
| 5 | 688-81810-11-00 | .STATOR ASSY | 1 | |
| 6 | 663-81811-11-00 | ..BRUSH 1 | 2 | |
| 7 | 663-81840-11-00 | .BRUSH HOLDER ASSY | 1 | |
| 8 | 663-81812-11-00 | ..BRUSH 2 | 2 | |
| 9 | 663-81813-10-00 | ..SPRING, BRUSH | 4 | |
| 10 | 663-81820-12-00 | .REAR BRACKET ASSY | 1 | |
| 11 | 663-81832-11-00 | .PINION ASSY | 1 | |
| 12 | 688-81830-11-00 | .FRONT BRACKET ASSY | 1 | |
| 13 | 688-81831-00-00 | ..METAL, FRONT | 1 | |
| 14 | 663-81826-10-00 | .BOLT | 2 | |
| 15 | 688-81824-00-00 | .WASHER 2 | 2 | |
| 16 | 97013-08030-00 | BOLT | 3 | |
| 17 | 92903-08100-00 | WASHER, SPRING | 3 | |
| 18 | 92990-08600-00 | ..WASHER, PLATE | 2 | |
| 19 | 6H1-15771-00-00 | STAY 1 | 1 | |
| 20 | 97885-04010-00 | SCREW, PAN HEAD | 3 | |
| 21 | 92995-04600-00 | WASHER | 3 | |

90TLR 0509 / BOTTOM COWLING




6H1C110-J120


Part List

90TLR 0509 / BOTTOM COWLING

| REF - NO | PART NUMBER | PART NAME | QUANTITY | REMARKS |
|----------|-----------------|--------------------------|----------|--------------|
| 1 | 6H1-42711-10-8D | COWLING, BOTTOM 1 | 1 | FLUSHING KIT |
| 2 | 6BL-44391-00-00 | NIPPLE, HOSE | 1 | |
| 3 | 688-42815-01-8D | LEVER, CLAMP | 1 | |
| 4 | 688-42817-01-8D | LEVER, CLAMP | 1 | |
| 5 | 90386-13M38-00 | BUSH | 4 | |
| 6 | 90206-13019-00 | WASHER, WAVE | 2 | |
| 7 | 688-42816-00-00 | LEVER, CLAMP 2 | 2 | |
| 8 | 90119-06M09-00 | BOLT, WITH WASHER | 2 | |
| 9 | 688-42716-02-00 | RUBBER, SEAL 1 | 1 | |
| 10 | 663-42724-00-00 | GROMMET | 1 | |
| 11 | 688-42725-20-00 | GROMMET | 1 | |
| 12 | 688-42738-01-8D | PLATE, FITTING | 1 | |
| 13 | 97095-06016-00 | BOLT | 2 | |
| 14 | 92995-06600-00 | WASHER | 2 | |
| 15 | 6BG-42748-00-00 | GROMMET | 4 | |
| 16 | 90387-06M69-00 | COLLAR | 4 | |
| 17 | 90201-06416-00 | WASHER, PLATE | 1 | |
| 18 | 97095-06030-00 | BOLT | 1 | |
| 19 | 90119-06M61-00 | BOLT, WITH WASHER | 3 | |
| 20 | 90157-06M01-00 | SCREW, PAN HEAD | 1 | |
| 21 | 90464-15M08-00 | CLAMP | 1 | |
| 22 | 6H1-42726-21-00 | GROMMET | 1 | FLUSHING KIT |
| 23 | 6G1-42748-00-00 | GROMMET | 1 | |
| 24 | 688-42741-01-8D | APRON | 1 | |
| 25 | 688-42771-01-8D | APRON | 1 | |
| 26 | 97595-06420-00 | BOLT, WITH WASHER | 2 | |
| 27 | 97095-06030-00 | BOLT | 2 | |
| 28 | 92995-06100-00 | WASHER, SPRING | 2 | |
| 29 | 6E5-24367-01-00 | CLAMP, FUEL PIPE 2 | 1 | |
| 30 | 92990-06600-00 | WASHER, PLATE | 1 | |
| 31 | 68T-12572-00-00 | ADAPTER | 1 | FLUSHING KIT |
| 32 | 90167-06002-00 | SCREW, TAPPING | 2 | FLUSHING KIT |
| 33 | 6H1-12535-00-00 | PLATE | 1 | FLUSHING KIT |
| 34 | 97095-06020-00 | BOLT | 1 | FLUSHING KIT |
| 35 | 92995-06600-00 | WASHER | 1 | FLUSHING KIT |
| 36 | 6R3-12580-00-00 | JOINT ASSY | 1 | FLUSHING KIT |
| 37 | 6R3-12581-00-00 | .JOINT, HOSE 1 | 1 | |
| 38 | 6R3-12582-00-00 | .JOINT, HOSE 2 | 1 | |
| 39 | 6R3-12583-00-00 | .GASKET, HOSE JOINT | 1 | |
| 40 | 6H1-24312-01-00 | PIPE 2 | 1 | FLUSHING KIT |
| 41 | 90465-11M10-00 | CLAMP | 2 | FLUSHING KIT |
| 42 | 90464-09M31-00 | CLAMP | 1 | FLUSHING KIT |
| 43 | 6G5-42791-00-00 | MARK 1 | 1 | |
| 44 | 6AH-42794-40-00 | LABEL, WARNING (GENERAL) | 1 | |

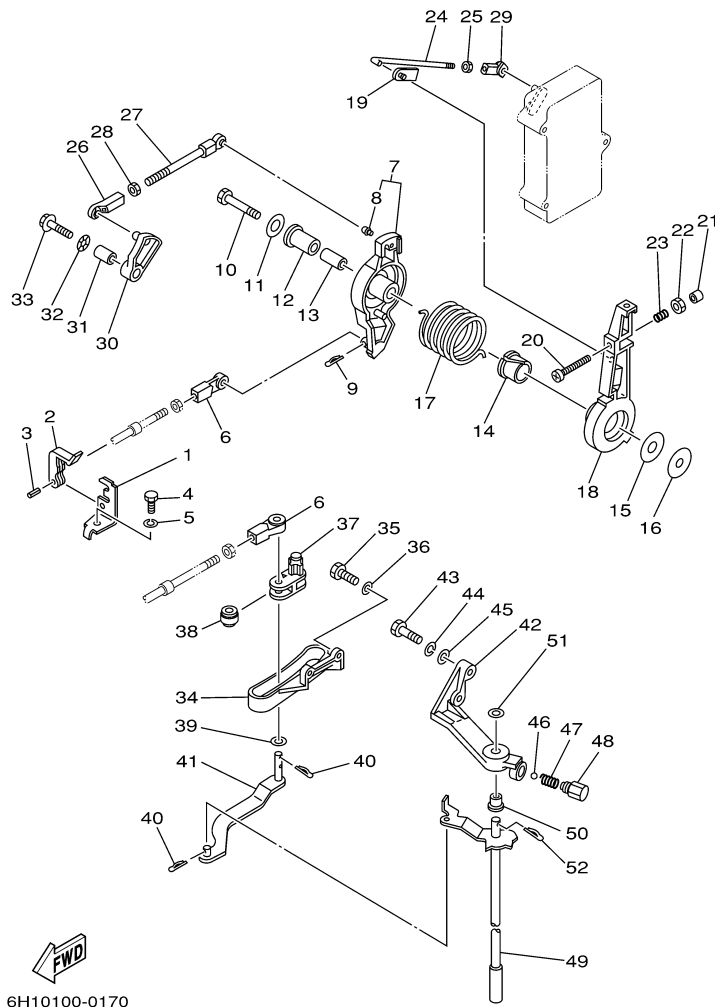
Part Notes

90TLR 0509 / BOTTOM COWLING

| PART NUMBER | NOTE TEXT |
|--|--|
| 92990-06600-00  | OEM: This part number is among the Top 100 Most Popular Marine Maintenance Parts as of March 2014. |

©2014 Yamaha Motor Corporation, U.S.A. All rights reserved.

90TLR 0509 / CONTROL



6H110100-0170

©2014 Yamaha Motor Corporation, U.S.A. All rights reserved.




Part List

90TLR 0509 / CONTROL

| REF - NO | PART NUMBER | PART NAME | QUANTITY | REMARKS |
|----------|-----------------|----------------------------|----------|----------|
| 1 | 663-48531-00-00 | BRACKET, REMOTE CONTROL | 1 | |
| 2 | 663-48538-00-00 | CLAMP, CABLE 1 | 1 | |
| 3 | 91690-30012-00 | .PIN, SPRING | 1 | |
| 4 | 97095-08016-00 | BOLT | 1 | |
| 5 | 92995-08100-00 | WASHER | 1 | |
| 6 | 663-48344-00-00 | .CABLE END, REMOTE CONTROL | 2 | |
| 7 | 688-41632-01-1S | LEVER, MAGNETO CONTROL | 1 | |
| 8 | 662-41214-01-00 | .JOINT 1 | 1 | |
| 9 | 90468-18008-00 | CLIP | 1 | |
| 10 | 97095-08045-00 | .BOLT | 1 | |
| 11 | 90201-08M23-00 | WASHER, PLATE | 1 | |
| 12 | 90386-12089-00 | BUSH | 1 | |
| 13 | 90387-08M16-00 | COLLAR | 1 | |
| 14 | 90386-22M13-00 | BUSH | 1 | |
| 15 | 90202-12092-00 | WASHER, PLATE | 1 | |
| 16 | 90201-08M13-00 | WASHER, PLATE | 1 | |
| 17 | 90508-29M05-00 | SPRING, TORSION | 1 | |
| 18 | 688-41631-01-1S | LEVER, MAGNETO CONTROL | 1 | |
| 19 | 6F5-41237-00-00 | JOINT, LINK | 1 | |
| 20 | 90157-06013-00 | SCREW, PAN HEAD | 1 | |
| 21 | 688-44194-00-00 | CAP | 1 | |
| 22 | 95303-06600-00 | .NUT | 1 | |
| 23 | 90501-16M12-00 | SPRING, COMPRESSION | 1 | |
| 24 | 6H1-41636-00-00 | ROD, MAGNETO CONTROL | 1 | |
| 25 | 95380-05600-00 | NUT | 1 | |
| 26 | 662-41237-01-00 | JOINT, LINK | 1 | |
| 27 | 688-41211-01-00 | LINK, ACCEL. | 1 | |
| 28 | 95380-05600-00 | NUT | 1 | |
| 29 | 682-41237-00-00 | JOINT, LINK | 1 | |
| 30 | 6H1-41213-00-00 | CAM, ACCEL. | 1 | |
| 31 | 90387-06M17-00 | COLLAR | 1 | |
| 32 | 90206-10M04-00 | WASHER, WAVE | 1 | |
| 33 | 90119-06M24-00 | BOLT, WITH WASHER | 1 | |
| 34 | 688-44117-00-94 | BRACKET | 1 | |
| 35 | 97013-06020-00 | BOLT | 2 | |
| 36 | 92903-06600-00 | WASHER, PLATE | 2 | |
| 37 | 688-44124-00-00 | LINK, SHIFT ROD | 1 | |
| 38 | 688-44122-00-00 | BUSHING, SHIFT ROD LEVER | 1 | |
| 39 | 90202-07M07-00 | WASHER, PLATE | 1 | |
| 40 | 90468-18008-00 | CLIP | 3 | |
| 41 | 6H1-44121-00-00 | LEVER, SHIFT ROD | 1 | |
| 42 | 688-44118-01-94 | BRACKET | 1 | |
| 43 | 97013-08030-00 | BOLT | 2 | |
| 44 | 92903-08100-00 | WASHER, SPRING | 2 | |
| 45 | 92903-08600-00 | WASHER, PLATE | 2 | |
| 46 | 93501-04M02-00 | BALL | 1 | |
| 47 | 90501-12082-00 | SPRING, COMPRESSION | 1 | |
| 48 | 648-42715-00-00 | BUSHING | 1 | |
| 49 | 6H1-44120-12-00 | HANDLE GEAR SHIFT ASSY | 1 | L(20.3") |
| 50 | 90386-07M58-00 | BUSH | 1 | |
| 51 | 92990-08200-00 | WASHER, PLAIN | 1 | |
| 52 | 90468-18008-00 | CLIP | 1 | |

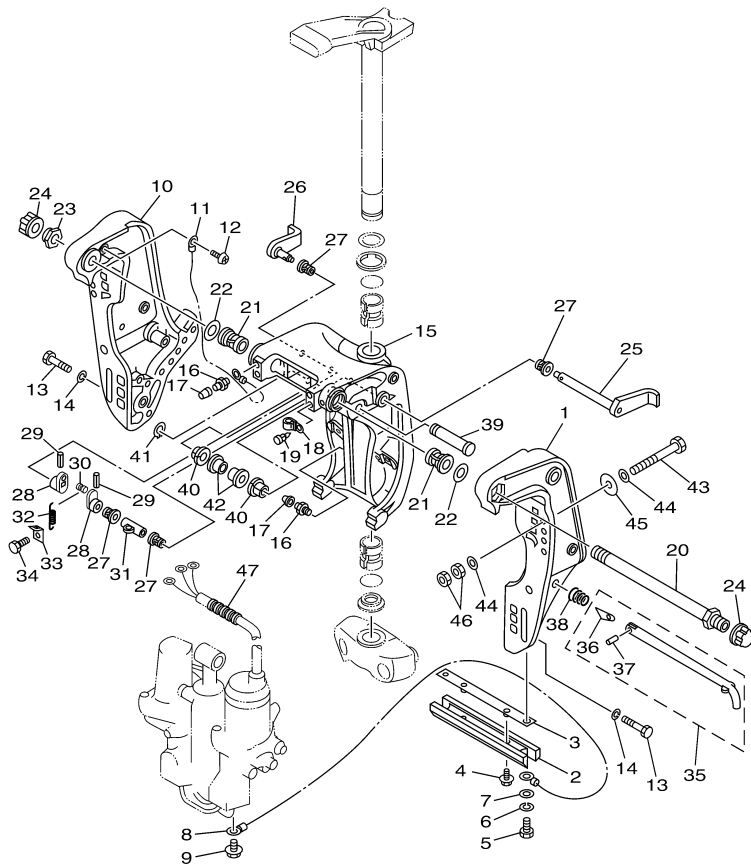
Part Notes

90TLR 0509 / CONTROL

| PART NUMBER | | NOTE TEXT |
|----------------|---|--|
| 90468-18008-00 |  | OEM: This part number is among the Top 100 Most Popular Marine Maintenance Parts as of March 2014. |
| 90468-18008-00 |  | OEM: This part number is among the Top 100 Most Popular Marine Maintenance Parts as of March 2014. |
| 90468-18008-00 |  | OEM: This part number is among the Top 100 Most Popular Marine Maintenance Parts as of March 2014. |

©2014 Yamaha Motor Corporation, U.S.A. All rights reserved.

90TLR 0509 / BRACKET 1



6H19110-F140

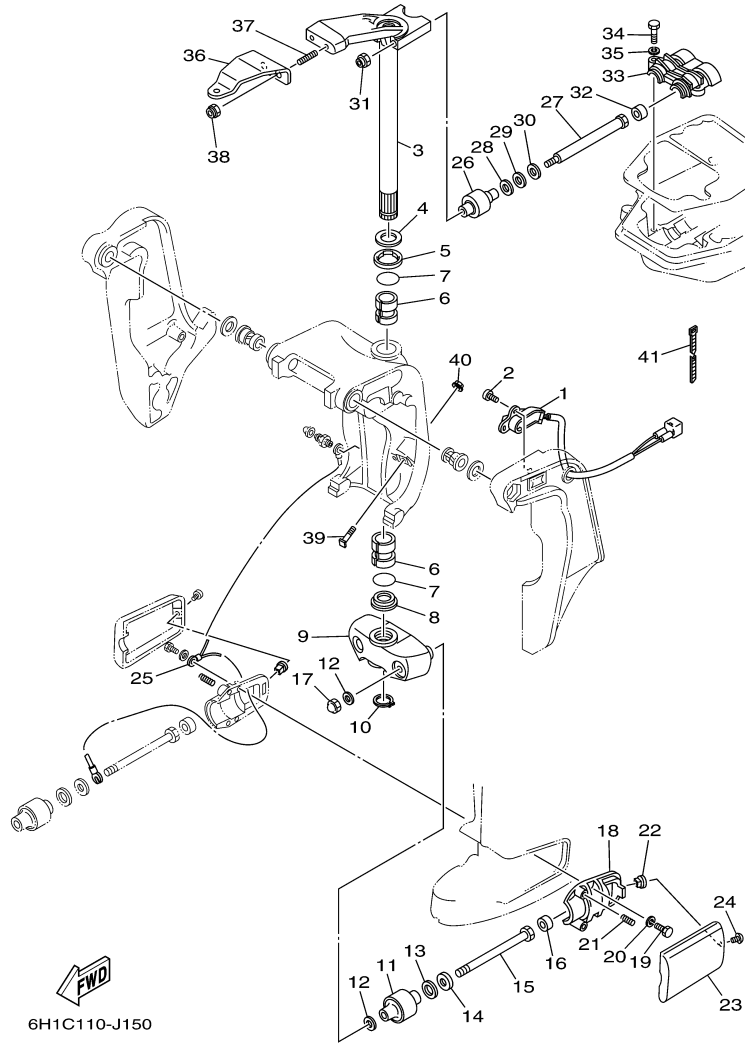
©2014 Yamaha Motor Corporation, U.S.A. All rights reserved.

Part List

90TLR 0509 / BRACKET 1

| REF - NO | PART NUMBER | PART NAME | QUANTITY | REMARKS |
|----------------|-----------------|------------------------|----------|---------|
| 1 | 6H1-43111-01-8D | BRACKET, CLAMP 1 | 1 | |
| 2 | 6H1-45251-03-00 | ANODE | 1 | |
| 3 | 6H1-44526-00-00 | PLATE | 1 | |
| 4 | 90119-06M29-00 | BOLT, WITH WASHER | 2 | |
| 5 | 97095-06016-00 | BOLT | 2 | |
| 6 | 92995-06100-00 | WASHER, SPRING | 2 | |
| 7 | 92995-06600-00 | WASHER | 2 | |
| 8 | 6H1-82148-00-00 | WIRE, LEAD 4 | 1 | |
| 9 | 97595-06510-00 | BOLT, WITH WASHER | 1 | |
| 10 | 6H1-43112-00-8D | BRACKET, CLAMP 2 | 1 | |
| 11 | 6E5-82148-00-00 | WIRE, LEAD 4 | 1 | |
| 12 | 97880-06012-00 | SCREW, PAN HEAD | 1 | |
| 13 | 97095-10045-00 | BOLT | 6 | |
| 14 | 92995-10100-00 | WASHER | 6 | |
| 15 | 6H1-43311-02-8D | BRACKET, SWIVEL 1 | 1 | |
| 16 | 93700-06M03-00 | NIPPLE, GREASE | 3 | |
| 17 | 663-45119-00-00 | CAP, GREASE NIPPLE | 3 | |
| 18 | 90464-11M18-00 | CLAMP | 1 | |
| 19 | 90338-05M03-00 | PLUG | 1 | |
| 20 | 688-43131-03-00 | BOLT, CLAMP BRACKET | 1 | |
| 21 | 90386-22M15-00 | BUSH | 2 | |
| 22 | 90201-22M67-00 | WASHER, PLATE | 2 | |
| 23 | 90185-22M11-00 | NUT, SELF-LOCKING | 1 | |
| 24 | 6G5-43145-01-00 | CAP, CLAMP BRACKET | 2 | |
| 25 | 6H1-43181-01-00 | LEVER, TILT STOP | 1 | |
| 26 | 6H1-43185-01-00 | LEVER, TILT STOP | 1 | |
| 27 | 90386-10M16-00 | BUSH | 4 | |
| 28 | 6G5-43148-00-00 | COLLAR, DISTANCE | 2 | |
| 29 | 91690-30020-00 | PIN, SPRING | 2 | |
| 30 | 90249-06M19-00 | PIN | 1 | |
| 31 | 90387-10M02-00 | COLLAR | 1 | |
| 32 | 90506-14M24-00 | SPRING, TENSION | 1 | |
| 33 | 6G5-43144-00-00 | HOOK, SPRING | 1 | |
| 34 | 97095-06010-00 | BOLT | 1 | |
| 35 | 688-43160-01-00 | TILT ROD ASSY | 1 | |
| 36 | 688-43165-00-00 | .PLATE, TILT LOCK | 1 | |
| 37 | 91690-30012-00 | .PIN, SPRING | 1 | |
| 38 | 90502-16M02-00 | SPRING, CONICAL | 1 | |
| 39 | 6E5-43126-02-00 | PIN, UPPER SHOCK MOUNT | 1 | |
| 40 | 90386-18M35-00 | BUSH | 2 | |
| 41 | 93410-18M02-00 | CIRCLIP | 1 | |
| 42 | 90386-18M63-00 | BUSH | 2 | |
| 43 | 90101-12M65-00 | BOLT | 4 | |
| 44 | 92995-12200-00 | WASHER | 8 | |
| 45 | 90201-12426-00 | WASHER, PLATE | 4 | |
| 46 | 95380-12600-00 | NUT | 8 | |
| 47 | 90440-14M00-00 | PIPE | 1 | |

90TLR 0509 / BRACKET 2



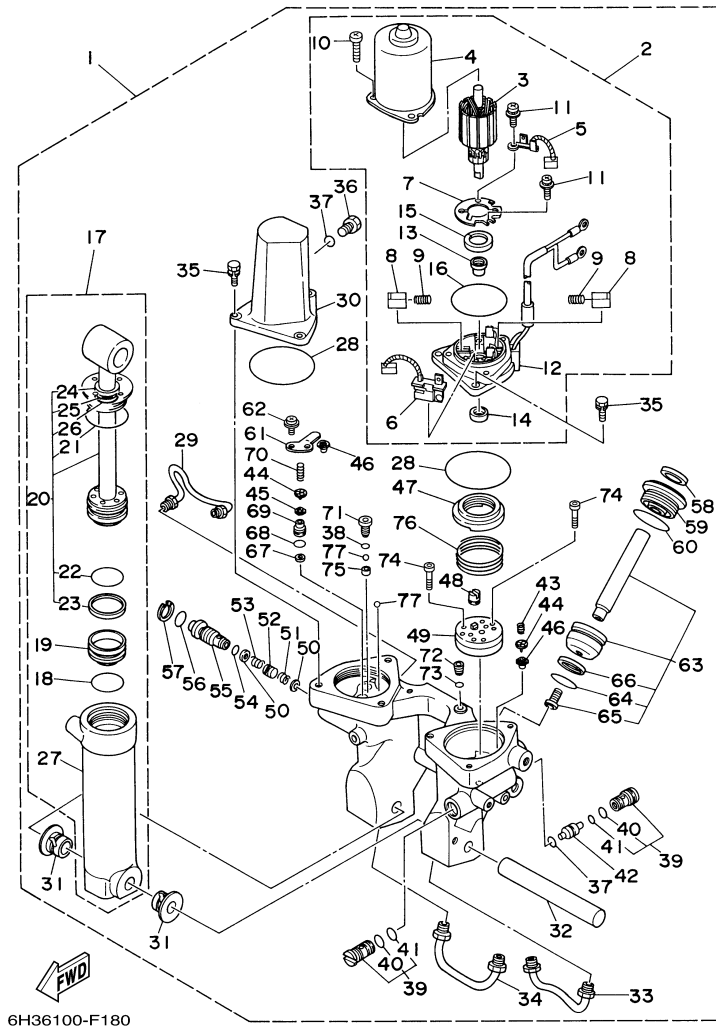
©2014 Yamaha Motor Corporation, U.S.A. All rights reserved.

Part List

90TLR 0509 / BRACKET 2

| REF - NO | PART NUMBER | PART NAME | QUANTITY | REMARKS |
|----------------|-----------------|--------------------------------|----------|----------------|
| 1 | 6H1-83672-21-00 | TRIM SENDER | 1 | |
| 2 | 97885-06016-00 | SCREW, PAN HEAD | 2 | |
| 3 | 688-42510-03-8D | STEERING BRACKET ASSY | 1 | |
| 4 | 90201-30M00-00 | WASHER, PLATE | 1 | |
| 5 | 90386-30M78-00 | BUSH | 1 | |
| 6 | 90386-30M77-00 | BUSH | 2 | |
| 7 | 93210-29M94-00 | O-RING | 2 | |
| 8 | 90386-30M60-00 | BUSH | 1 | |
| 9 | 663-44551-02-8D | HOUSING, LOWER MOUNT RUBBER | 1 | |
| 10 | 93410-28M06-00 | CIRCLIP | 1 | |
| 11 | 687-44555-00-94 | MOUNT DAMPER, LOWER SIDE | 2 | |
| 12 | 90201-12M16-00 | WASHER, PLATE | 4 | |
| 13 | 90202-25M04-00 | WASHER, PLATE | 2 | |
| 14 | 90201-13M19-00 | WASHER, PLATE | 2 | |
| 15 | 90109-12261-00 | BOLT | 2 | |
| 16 | 663-44575-00-00 | DAMPER, LOWER MOUNT RUBBER | 2 | |
| 17 | 95380-12800-00 | NUT, CROWN | 2 | |
| 18 | 687-44552-02-94 | HOUSING, LOWER MOUNT RUBBER | 2 | |
| 19 | 97075-08025-00 | BOLT | 4 | |
| 20 | 92995-08100-00 | WASHER | 4 | |
| 21 | 90501-14M08-00 | SPRING, COMPRESSION | 4 | |
| 22 | 90179-06066-00 | NUT | 2 | |
| 23 | 663-44553-01-8D | COVER, LOWER MOUNT | 2 | |
| 24 | 97885-06016-00 | SCREW, PAN HEAD | 2 | |
| 25 | 688-82127-02-00 | WIRE, LEAD 2 | 1 | |
| 26 | 688-44514-00-94 | MOUNT DAMPER, UPPER SIDE | 2 | |
| 27 | 90101-10M49-00 | BOLT | 2 | |
| 28 | 90201-20M21-00 | WASHER, PLATE | 2 | |
| 29 | 90202-20M06-00 | WASHER, PLATE | 2 | |
| 30 | 90201-11M22-00 | WASHER, PLATE | 2 | |
| 31 | 90185-10051-00 | NUT, SELF-LOCKING | 2 | |
| 32 | 663-44575-00-00 | DAMPER, LOWER MOUNT RUBBER | 2 | |
| 33 | 688-44511-00-94 | COVER, UPPER MOUNT | 1 | |
| 34 | 97075-08035-00 | BOLT | 3 | |
| 35 | 92995-08100-00 | WASHER | 3 | |
| 36 | 688-48511-30-00 | HOOK, STEERING | 1 | STEERING GUIDE |
| 37 | 90116-10175-00 | BOLT, STUD | 2 | |
| 38 | 90185-10051-00 | NUT, SELF-LOCKING | 2 | |
| 39 | 6H1-43376-00-00 | BOLT, THRUST RECEIVER | 2 | |
| 40 | 90185-08057-00 | NUT, SELF-LOCKING | 2 | |
| 41 | 90465-11M10-00 | CLAMP | 3 | |

90TLR 0509 / POWER TRIM & TILT ASSY



©2014 Yamaha Motor Corporation, U.S.A. All rights reserved.

Part List

90TLR 0509 / POWER TRIM & TILT ASSY

| REF - NO | PART NUMBER | PART NAME | QUANTITY | REMARKS |
|----------------|-----------------|--------------------------|----------|---------|
| 1 | 6H1-43800-17-8D | POWER TRIM & TILT ASSY | 1 | |
| 2 | 6H1-43880-02-00 | ..MOTOR ASSY | 1 | |
| 3 | 6H1-43805-10-00 | ..ARMATURE ASSY | 1 | |
| 4 | 6H1-43804-10-00 | ..STATOR ASSY | 1 | |
| 5 | 6H1-43891-10-00 | ..BRUSH 1 | 1 | |
| 6 | 6H1-43892-10-00 | ..BREAKER COMP (BRUSH 2) | 1 | |
| 7 | 6H1-4380F-10-00 | ..PLATE, BRUSH HOLDER | 1 | |
| 8 | 6H1-4380J-10-00 | ..HOLDER, BRUSH | 2 | |
| 9 | 6H1-4386K-10-00 | ..SPRING, BRUSH | 2 | |
| 10 | 97885-05016-00 | ..SCREW, PAN HEAD | 3 | |
| 11 | 97607-04310-00 | ..SCREW, WITH WASHER | 2 | |
| 12 | 6H1-43881-10-00 | ..FRAME, END | 1 | |
| 13 | 6H1-4380H-10-00 | ..METAL | 1 | |
| 14 | 93102-08M43-00 | ..OIL SEAL | 1 | |
| 15 | 6H1-4380G-10-00 | ..PLATE | 1 | |
| 16 | 6H1-43865-10-00 | ..O-RING | 1 | |
| 17 | 6H1-43840-11-00 | ..POWER TILT ASSY | 1 | |
| 18 | 6H1-43861-10-00 | ..O-RING | 1 | |
| 19 | 6H1-43814-11-00 | ..PISTON, FREE | 1 | |
| 20 | 6H1-43810-11-00 | ..TILT PISTON SUB ASSY | 1 | |
| 21 | 6H1-43861-00-00 | ...O-RING | 1 | |
| 22 | 6H1-43861-10-00 | ...O-RING | 1 | |
| 23 | 6H1-43871-10-00 | ...RING, BACK UP | 1 | |
| 24 | 6H1-43812-00-00 | ...SEAL, DUST | 1 | |
| 25 | 6H1-43872-10-00 | ...RING, BACK UP | 1 | |
| 26 | 93210-18397-00 | ...O-RING | 1 | |
| 27 | 6H1-43813-10-00 | ..CYLINDER, TILT | 1 | |
| 28 | 93210-68N50-00 | ..O-RING | 2 | |
| 29 | 6H1-43835-10-00 | ..PIPE | 1 | |
| 30 | 6H1-43828-10-00 | ..BODY, RESERVOIR | 1 | |
| 31 | 90386-18M14-00 | ..BUSH | 2 | |
| 32 | 6E5-43818-00-00 | ..PIN, LOWER SHOCK MOUNT | 1 | |
| 33 | 6H1-43833-10-00 | ..PIPE | 1 | |
| 34 | 6H1-43834-00-00 | ..PIPE | 1 | |
| 35 | 97595-06420-00 | ..BOLT, WITH WASHER | 6 | |
| 36 | 6H1-43829-00-00 | ..PLUG, RESERVOIR | 1 | |
| 37 | 93210-09165-00 | ..O-RING | 2 | |
| 38 | 93210-064A5-00 | ..O-RING | 1 | |
| 39 | 67F-43802-00-00 | ..VALVE SUB ASSY | 2 | |
| 40 | 6H1-43866-00-00 | ..O-RING | 1 | |
| 41 | 6H1-43867-00-00 | ..O-RING | 1 | |
| 42 | 6H1-43841-11-00 | ..PISTON, SHUTTLE | 1 | |
| 43 | 6H1-43856-10-00 | ..SPRING, DOWN RELIEF | 1 | |
| 44 | 6H1-43844-10-00 | ..PIN, VALVE SUPPORT | 2 | |
| 45 | 6H1-4384G-11-00 | ..SEAL, RELIEF VALVE | 1 | |
| 46 | 6H1-4384F-10-00 | ..SEAL, MAIN VALVE | 2 | |
| 47 | 6H1-43817-01-00 | ..FILTER 2 | 1 | |
| 48 | 6H1-43831-10-00 | ..CONNECTOR, SHAFT | 1 | |
| 49 | 6H1-43830-11-00 | ..GEAR PUMP ASSY | 1 | |
| 50 | 6H1-43847-00-00 | ..SEAT, MANUAL VALVE | 2 | |
| 51 | 6H1-43899-00-00 | ..SPRING, MANUAL RELEASE | 1 | |
| 52 | 6H1-4382A-10-00 | ..ADAPTOR 1 | 1 | |
| 53 | 6H1-43854-00-00 | ..SPRING, MANUAL RELEASE | 1 | |
| 54 | 93210-10M74-00 | ..O-RING | 1 | |

| | | | | |
|----|-----------------|---------------------------------|---|--|
| 55 | 6H1-43845-00-00 | .SCREW, MANUAL RELEASE | 1 | |
| 56 | 93210-18M75-00 | .O-RING | 1 | |
| 57 | 6H1-43875-00-00 | .RING, SNAP | 1 | |
| 58 | 6H1-43822-10-00 | .SEAL, TRIM DUST | 2 | |
| 59 | 6H1-43821-11-00 | .SCREW, TRIM CYLINDER END | 2 | |
| 60 | 6H1-43861-10-00 | .O-RING | 2 | |
| 61 | 6H1-4384E-20-00 | .SPRING, TRIM | 1 | |
| 62 | 97602-05210-00 | .SCREW, PAN HEAD WITH WASHER | 2 | |
| 63 | 6H1-43820-11-00 | .TRIM PISTON SUB ASSY | 2 | |
| 64 | 6H1-43864-00-00 | .O-RING | 1 | |
| 65 | 91318-08016-00 | .BOLT, SOCKET HEAD | 1 | |
| 66 | 6H1-43874-00-00 | .RING, BACK UP | 1 | |
| 67 | 6H1-43816-00-00 | .FILTER 1 | 1 | |
| 68 | 6H1-43896-00-00 | .O-RING | 1 | |
| 69 | 6H1-43895-12-00 | .SEAT, RELIEF VALVE | 1 | |
| 70 | 6H1-43855-11-00 | .SPRING, UP RELIEF | 1 | |
| 71 | 6H1-43843-11-00 | .SCREW, VALVE LOCK | 1 | |
| 72 | 6H1-4388E-11-00 | .PLUG, TAPER SCREW | 1 | |
| 73 | 6H1-43868-00-00 | .O-RING | 1 | |
| 74 | 91318-04025-00 | .BOLT | 4 | |
| 75 | 6H1-4387J-00-00 | .WASHER, SPECIAL 2 | 1 | |
| 76 | 6H1-4385H-00-00 | .SPRING, SEAL | 1 | |
| 77 | 93505-32038-00 | .BALL | 2 | |

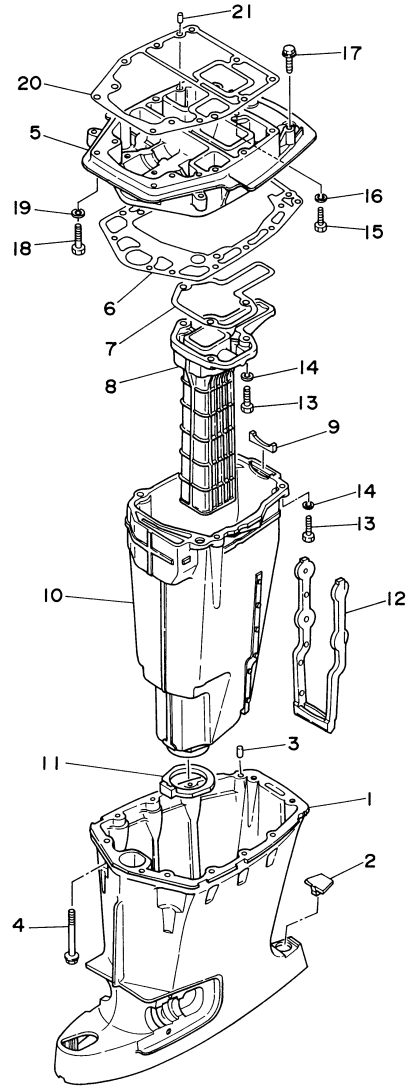
Part Notes

90TLR 0509 / POWER TRIM & TILT ASSY

| PART NUMBER | | NOTE TEXT |
|-----------------|---|--|
| 6H1-43861-10-00 |  | OEM: This part number is among the Top 100 Most Popular Marine Maintenance Parts as of March 2014. |
| 6H1-43861-10-00 |  | OEM: This part number is among the Top 100 Most Popular Marine Maintenance Parts as of March 2014. |
| 6H1-43861-10-00 |  | OEM: This part number is among the Top 100 Most Popular Marine Maintenance Parts as of March 2014. |

©2014 Yamaha Motor Corporation, U.S.A. All rights reserved.

90TLR 0509 / UPPER CASING




6H10110-4190

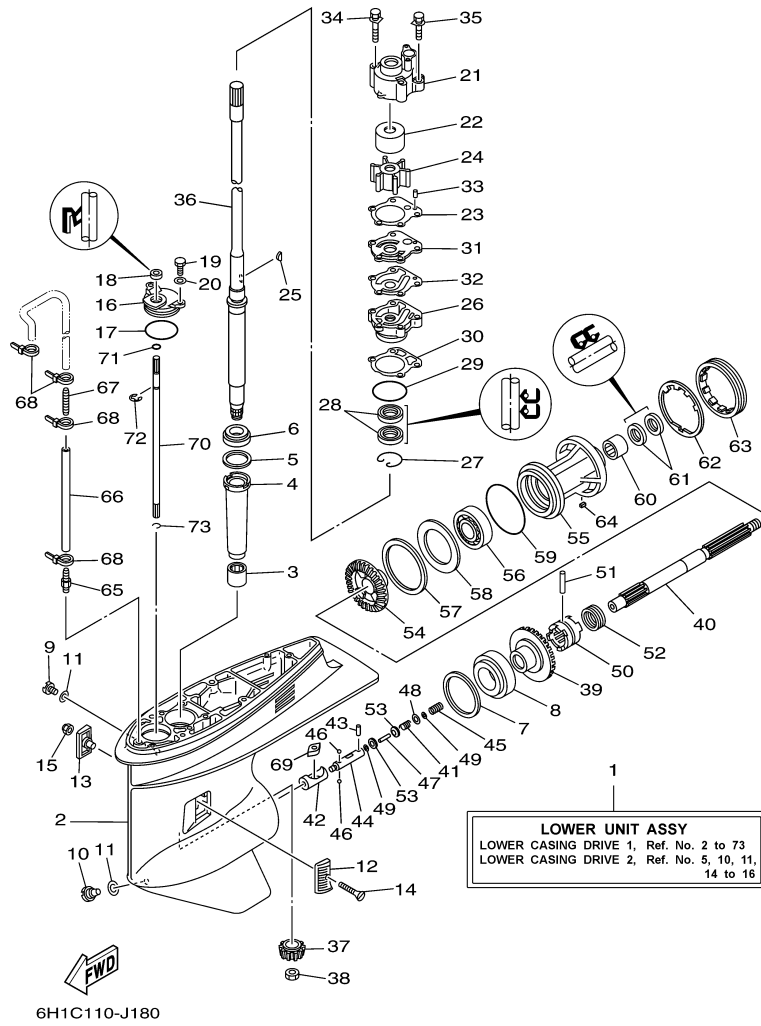
©2014 Yamaha Motor Corporation, U.S.A. All rights reserved.

Part List

90TLR 0509 / UPPER CASING

| REF - NO | PART NUMBER | PART NAME | QUANTITY | REMARKS |
|----------------|-----------------|-------------------------------|----------|---------|
| 1 | 688-45111-04-8D | CASING, UPPER | 1 | |
| 2 | 663-45155-10-00 | CAP | 1 | |
| 3 | 93606-12019-00 | .PIN, DOWEL | 2 | |
| 4 | 90119-08M80-00 | BOLT, WITH WASHER | 8 | |
| 5 | 688-41137-03-CA | GUIDE, EXHAUST | 1 | |
| 6 | 688-45114-A1-00 | GASKET, UPPER CASING | 1 | |
| 7 | 688-41134-A0-00 | GASKET, EXHAUST MANIFOLD | 1 | |
| 8 | 688-41131-00-CA | MANIFOLD, EXT. 1 | 1 | |
| 9 | 688-41133-00-00 | GASKET, EXHAUST MANIFOLD 1 | 1 | |
| 10 | 688-14711-01-CA | MUFFLER 1 | 1 | |
| 11 | 688-45123-00-00 | GASKET, MUFFLER | 1 | |
| 12 | 663-14737-10-00 | DAMPER, MUFFLER | 1 | |
| 13 | 97075-08030-00 | BOLT | 7 | |
| 14 | 92995-08100-00 | WASHER | 7 | |
| 15 | 97075-08025-00 | BOLT | 1 | |
| 16 | 92995-08100-00 | WASHER | 1 | |
| 17 | 90119-08102-00 | BOLT, WITH WASHER | 2 | |
| 18 | 97075-08035-00 | BOLT | 2 | |
| 19 | 92995-08100-00 | WASHER | 2 | |
| 20 | 688-45113-A0-00 | GASKET, UPPER CASING | 1 | |
| 21 | 93606-12019-00 | .PIN, DOWEL | 2 | |

90TLR 0509 / LOWER CASING & DRIVE 1



©2014 Yamaha Motor Corporation, U.S.A. All rights reserved.

Part List






90TLR 0509 / LOWER CASING & DRIVE 1

| REF - NO | PART NUMBER | PART NAME | QUANTITY | REMARKS |
|----------|-----------------|------------------------|----------|----------|
| 1 | 6H1-45300-16-8D | LOWER UNIT ASSY | 1 | L(20.3") |
| 2 | 6H1-45301-03-8D | CASING, LOWER | 1 | |
| 3 | 93315-325V1-00 | BEARING | 1 | |
| 4 | 688-45536-01-00 | SLEEVE, DRIVE SHAFT | 1 | |
| 5 | 688-45587-01-00 | SHIM (T:0.10MM) | 1 | UR |
| 5 | 688-45587-10-00 | SHIM (T:0.12MM) | 1 | UR |
| 5 | 688-45587-20-00 | SHIM (T:0.15MM) | 1 | UR |
| 5 | 688-45587-30-00 | SHIM (T:0.18MM) | 1 | UR |
| 5 | 688-45587-40-00 | SHIM (T:0.30MM) | 1 | UR |
| 5 | 688-45587-50-00 | SHIM (T:0.40MM) | 1 | UR |
| 5 | 688-45587-60-00 | SHIM (T:0.50MM) | 1 | UR |
| 6 | 93332-000U3-00 | BEARING | 1 | |
| 7 | 688-45567-01-00 | SHIM (T:0.10MM) | 1 | UR |
| 7 | 688-45567-10-00 | SHIM (T:0.12MM) | 1 | UR |
| 7 | 688-45567-20-00 | SHIM (T:0.15MM) | 1 | UR |
| 7 | 688-45567-30-00 | SHIM (T:0.18MM) | 1 | UR |
| 7 | 688-45567-40-00 | SHIM (T:0.30MM) | 1 | UR |
| 7 | 688-45567-50-00 | SHIM (T:0.40MM) | 1 | UR |
| 7 | 688-45567-60-00 | SHIM (T:0.50MM) | 1 | UR |
| 8 | 93332-000W7-00 | BEARING | 1 | |
| 9 | 90340-08002-00 | PLUG, STRAIGHT SCREW | 1 | |
| 10 | 688-45341-10-00 | PLUG, DRAIN | 1 | |
| 11 | 90430-08020-00 | .GASKET | 2 | |
| 12 | 6H1-45214-00-00 | COVER, WATER INLET 1 | 1 | |
| 13 | 6H1-45215-00-00 | COVER, WATER INLET 2 | 1 | |
| 14 | 90151-05M00-00 | SCREW, COUNTERSUNK | 1 | |
| 15 | 90185-05002-00 | NUT, NYLON | 1 | |
| 16 | 688-45321-00-00 | PLATE | 1 | |
| 17 | 93210-49046-00 | .O-RING | 1 | |
| 18 | 93106-09014-00 | .OIL SEAL | 1 | |
| 19 | 97095-06016-00 | BOLT | 2 | |
| 20 | 92995-06600-00 | WASHER | 2 | |
| 21 | 688-44311-01-00 | HOUSING, WATER PUMP | 1 | |
| 22 | 688-44322-00-00 | INSERT, CARTRIDGE | 1 | |
| 23 | 688-44315-A0-00 | .GASKET, WATER PUMP | 1 | |
| 24 | 688-44352-03-00 | IMPELLER | 1 | |
| 25 | 90280-04M04-00 | .KEY, WOODRUFF | 1 | |
| 26 | 6D8-44341-01-CA | HOUSING, WATER PUMP | 1 | |
| 27 | 93450-44166-00 | CIRCLIP | 1 | |
| 28 | 93101-25M03-00 | .OIL SEAL | 2 | |
| 29 | 93210-46044-00 | O-RING | 1 | |
| 30 | 688-44316-A0-00 | .GASKET, WATER PUMP | 1 | |
| 31 | 688-44323-00-00 | OUTER PLATE, CARTRIDGE | 1 | |
| 32 | 688-44324-A0-00 | .GASKET, CARTRIDGE | 1 | |
| 33 | 93604-10M03-00 | PIN, DOWEL | 2 | |
| 34 | 90119-08M16-00 | .BOLT, WITH WASHER | 2 | |
| 35 | 90119-08M13-00 | .BOLT, WITH WASHER | 2 | |
| 36 | 6H1-45501-11-00 | DRIVE SHAFT COMP. | 1 | L(20.3") |
| 37 | 688-45551-01-00 | PINION (13T) | 1 | |
| 38 | 90170-16M01-00 | NUT | 1 | |
| 39 | 688-45560-00-00 | GEAR 1 (26T) | 1 | |
| 40 | 6H1-45611-01-00 | SHAFT, PROPELLER | 1 | |
| 41 | 90501-12M48-00 | SPRING, COMPRESSION | 1 | |
| 42 | 6H1-45641-01-00 | SHIFTER | 1 | |

| | | | | |
|----|-----------------|---------------------|---|----------|
| 43 | 93603-12M11-00 | PIN, DOWEL | 1 | |
| 44 | 6H1-45634-02-00 | SLIDE, SHIFT | 1 | |
| 45 | 90501-16M65-00 | SPRING, COMPRESSION | 1 | |
| 46 | 93503-16003-00 | BALL | 2 | |
| 47 | 6H1-45668-00-00 | SHAFT, FREE 1 | 1 | |
| 48 | 90201-03313-00 | WASHER, PLATE | 1 | |
| 49 | 90183-02M03-00 | NUT, SPRING | 2 | |
| 50 | 6H1-45631-01-00 | CLUTCH, DOG | 1 | |
| 51 | 90250-07M02-00 | PIN, STRAIGHT | 1 | |
| 52 | 688-45633-00-00 | RING, CROSS PIN | 1 | |
| 53 | 6H1-45635-00-00 | PLUNGER, SHIFT | 2 | |
| 54 | 6H1-45571-00-00 | GEAR 2 (26T) | 1 | |
| 55 | 688-45331-00-CA | HOUSING, BEARING | 1 | |
| 56 | 93306-207U0-00 | .BEARING | 1 | |
| 57 | 688-45577-01-00 | SHIM (T:0.10MM) | 1 | UR |
| 57 | 688-45577-10-00 | SHIM (T:0.12MM) | 1 | UR |
| 57 | 688-45577-20-00 | SHIM (T:0.15MM) | 1 | UR |
| 57 | 688-45577-30-00 | SHIM (T:0.18MM) | 1 | UR |
| 57 | 688-45577-40-00 | SHIM (T:0.30MM) | 1 | UR |
| 57 | 688-45577-50-00 | SHIM (T:0.40MM) | 1 | UR |
| 57 | 688-45577-60-00 | SHIM (T:0.50MM) | 1 | UR |
| 58 | 688-45576-00-00 | WASHER, THRUST | 1 | |
| 59 | 93210-85M97-00 | O-RING | 1 | |
| 60 | 93317-325U0-00 | BEARING | 1 | |
| 61 | 93101-25M03-00 | .OIL SEAL | 2 | |
| 62 | 688-45383-02-00 | WASHER, CLAW | 1 | |
| 63 | 688-45384-00-00 | NUT | 1 | |
| 64 | 90282-04010-00 | KEY, STRAIGHT | 1 | |
| 65 | 6E5-45378-00-00 | NIPPLE, HOSE | 1 | |
| 66 | 90445-07ME9-00 | HOSE (L120) | 1 | L(20.3") |
| 67 | 6E5-83558-10-00 | END, NIPPLE | 1 | |
| 68 | 90465-11M10-00 | CLAMP | 4 | |
| 69 | 6H1-44151-00-00 | CAM, SHIFT | 1 | |
| 70 | 6H1-44144-00-00 | ROD, SHIFT | 1 | |
| 71 | 93210-07003-00 | .O-RING | 1 | |
| 72 | 99001-08600-00 | CIRCLIP | 1 | |
| 73 | 93450-07M00-00 | CIRCLIP | 1 | |

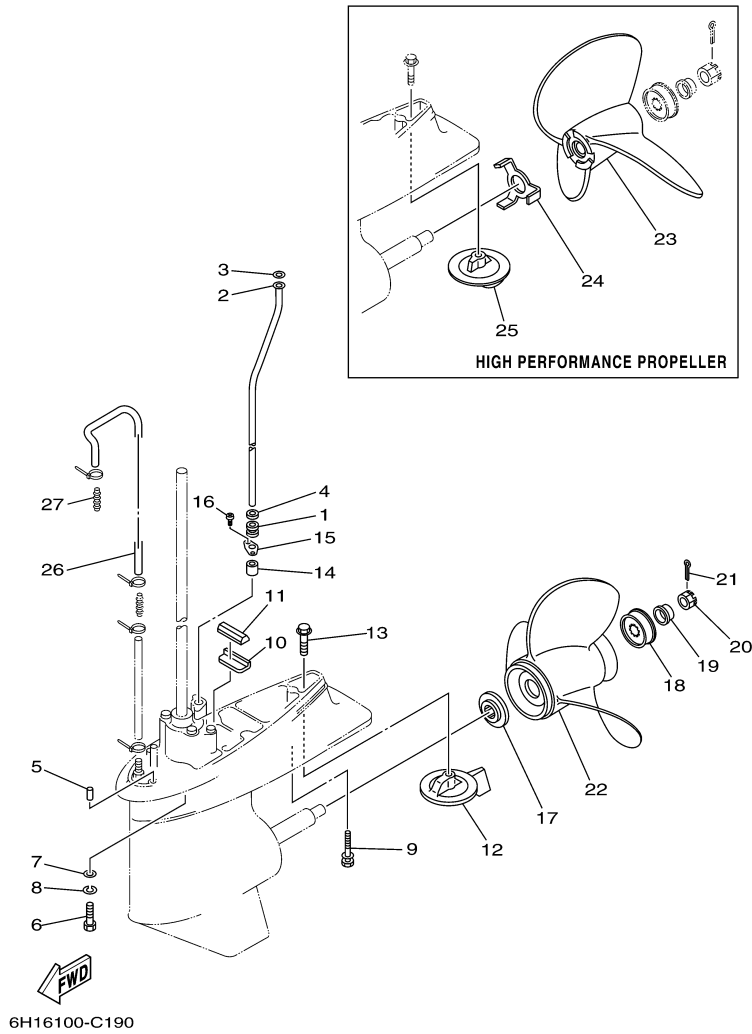
Part Notes

90TLR 0509 / LOWER CASING & DRIVE 1

| PART NUMBER | | NOTE TEXT |
|-----------------|---|--|
| 90430-08020-00 |  | OEM: This part number is among the Top 100 Most Popular Marine Maintenance Parts as of March 2014. |
| 93106-09014-00 |  | OEM: This part number is among the Top 100 Most Popular Marine Maintenance Parts as of March 2014. |
| 688-44352-03-00 |  | OEM: This part number is among the Top 100 Most Popular Marine Maintenance Parts as of March 2014. |
| 93101-25M03-00 |  | OEM: This part number is among the Top 100 Most Popular Marine Maintenance Parts as of March 2014. |
| 93101-25M03-00 |  | OEM: This part number is among the Top 100 Most Popular Marine Maintenance Parts as of March 2014. |

©2014 Yamaha Motor Corporation, U.S.A. All rights reserved.

90TLR 0509 / LOWER CASING & DRIVE 2



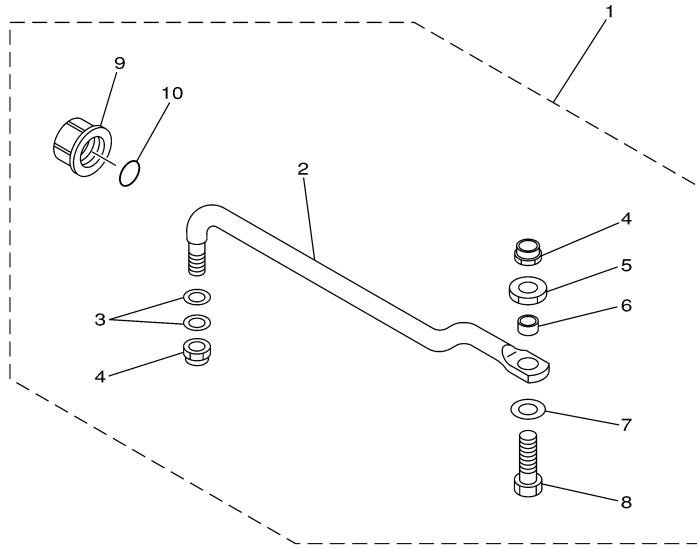
©2014 Yamaha Motor Corporation, U.S.A. All rights reserved.

Part List

90TLR 0509 / LOWER CASING & DRIVE 2

| REF - NO | PART NUMBER | PART NAME | QUANTITY | REMARKS |
|----------|-----------------|-------------------------------------|----------|----------|
| 1 | 663-44367-00-00 | DAMPER, WATER SEAL 3 | 1 | |
| 2 | 688-44361-10-00 | TUBE, WATER | 1 | L(20.3") |
| 3 | 90202-12060-00 | WASHER, PLATE | 1 | |
| 4 | 90430-12072-00 | GASKET | 1 | |
| 5 | 93606-12019-00 | .PIN, DOWEL | 2 | L(20.3") |
| 6 | 90101-10037-00 | BOLT | 4 | L(20.3") |
| 7 | 90201-10048-00 | WASHER, PLATE | 4 | |
| 8 | 90204-10001-00 | WASHER, SPRING | 4 | |
| 9 | 90119-08M84-00 | BOLT, WITH WASHER | 1 | L(20.3") |
| 10 | 663-45376-00-94 | GUIDE, SEAL DAMPER | 1 | |
| 11 | 688-45375-00-00 | DAMPER, SEAL | 1 | |
| 12 | 688-45371-02-00 | TAB-TRIM | 1 | |
| 13 | 90105-10M67-00 | BOLT, FLANGE | 1 | |
| 14 | 663-44366-00-00 | .DAMPER, WATER SEAL 2 | 1 | |
| 15 | 90480-19M06-00 | GROMMET | 1 | |
| 16 | 90160-04006-00 | SCREW, ROUND TAPPING | 2 | |
| 17 | 688-45987-01-00 | SPACER 1 | 1 | |
| 18 | 67F-45997-00-00 | SPACER 2 | 1 | |
| 19 | 90389-25M00-00 | BUSH | 1 | |
| 20 | 90171-16011-00 | NUT, CASTLE | 1 | |
| 21 | 91490-40025-00 | PIN. COTTER | 1 | |
| 22 | 688-45974-02-98 | PROPELLER (3X13"X23"-K) | 1 | UR |
| 22 | 688-45978-60-98 | PROPELLER (3X13-1/2"X16"-K) | 1 | UR |
| 22 | 688-45932-60-98 | PROPELLER (3X13-1/2"X14"-K) | 1 | UR |
| 22 | 6E5-45952-00-EL | PROPELLER (3X13"X23"-K) | 1 | UR |
| 22 | 6E5-45954-00-EL | PROPELLER (3X14"X11"-K) | 1 | UR |
| 22 | 688-45976-01-98 | PROPELLER (3X13"X25"-K) | 1 | UR |
| 22 | 6E5-45956-00-EL | PROPELLER (3X13"X25"-K) | 1 | UR |
| 22 | 688-45930-02-98 | PROPELLER (3X13"X17"-K) | 1 | UR |
| 22 | 688-45972-02-98 | PROPELLER (3X13"X21"-K) | 1 | UR |
| 22 | 688-45970-03-98 | PROPELLER (3 X 13-1/2" X 19" -K) () | 1 | UR |
| 22 | 6E5-45945-01-EL | PROPELLER (3X13-1/4"X17"-K) | 1 | UR |
| 22 | 6E5-45947-00-EL | PROPELLER (3X13-1/2"X15"-K) | 1 | UR |
| 22 | 6E5-45949-00-EL | PROPELLER (3X13-5/8"X13"-K) | 1 | UR |
| 22 | 6E5-45941-00-EL | PROPELLER (3X13"X19"-K) | 1 | UR |
| 22 | 6E5-45943-00-EL | PROPELLER (3X12-5/8"X21"-K) | 1 | UR |
| 23 | 6E5-45970-10-00 | PROPELLER (3X14"X20"-P) | 1 | UR |
| 23 | 6E5-45974-10-00 | PROPELLER (3X14"X28"-P) | 1 | UR |
| 23 | 6E5-45976-10-00 | PROPELLER (3X14"X22"-P) | 1 | UR |
| 23 | 6E5-45972-10-00 | PROPELLER (3X14"X24"-P) | 1 | UR |
| 23 | 6E5-45978-10-00 | PROPELLER (3X14"X26"-P) | 1 | UR |
| 24 | 6E5-45994-10-00 | PLATE, TOOTH | 1 | |
| 25 | 6E5-45371-10-00 | TAB-TRIM | 1 | |
| 26 | 90445-07MF1-00 | HOSE (L570) | 1 | |
| 27 | 6E5-83558-00-00 | END, NIPPLE | 1 | |

90TLR 0509 / STEERING GUIDE



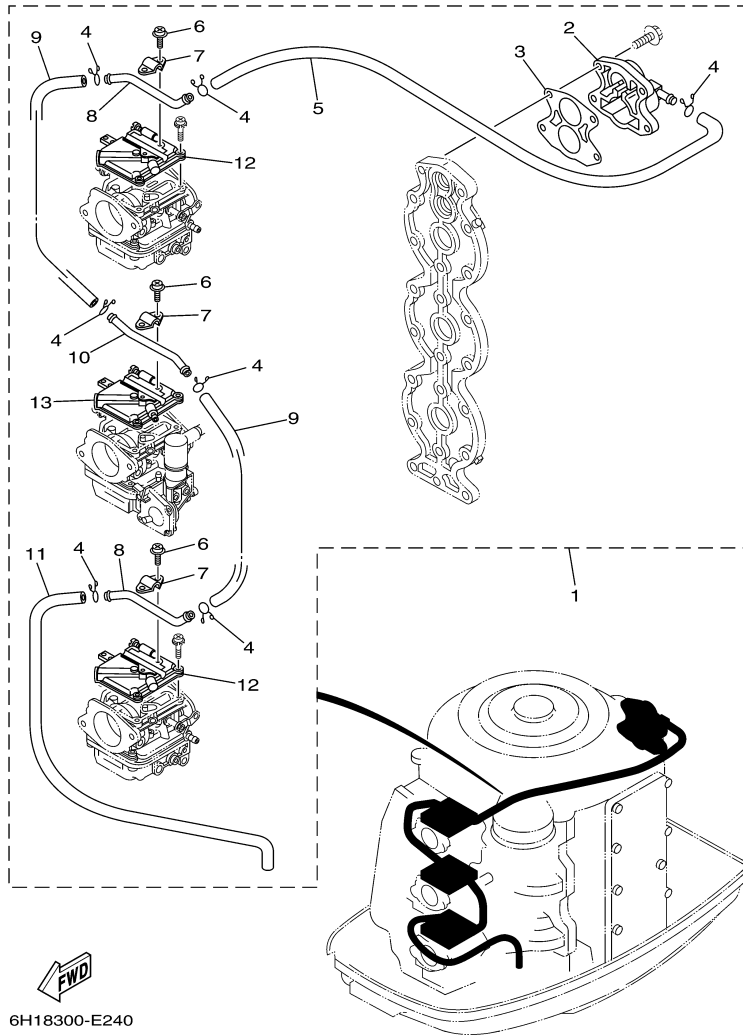
6880700-9190

Part List

90TLR 0509 / STEERING GUIDE

| REF - NO | PART NUMBER | PART NAME | QUANTITY | REMARKS |
|----------------|-----------------|----------------------------------|----------|---------|
| 1 | 688-61350-10-00 | STEERING GUIDE ATTACHMENT KIT | 1 | AP |
| 2 | 688-61351-10-00 | .ROD, STEERING LINK | 1 | |
| 3 | 90201-10M20-00 | .WASHER, PLATE | 2 | |
| 4 | 90185-09M01-00 | .NUT, SELF-LOCKING | 2 | |
| 5 | 90170-09M03-00 | .NUT | 1 | |
| 6 | 90387-10M42-00 | .COLLAR | 1 | |
| 7 | 90201-10M63-00 | .WASHER, PLATE | 1 | |
| 8 | 6E5-61355-00-00 | .BOLT | 1 | |
| 9 | 6E5-43145-01-00 | .CAP, CLAMP BRACKET | 1 | |
| 10 | 93210-16275-00 | .O-RING | 1 | |

90TLR 0509 / OPTIONAL PARTS



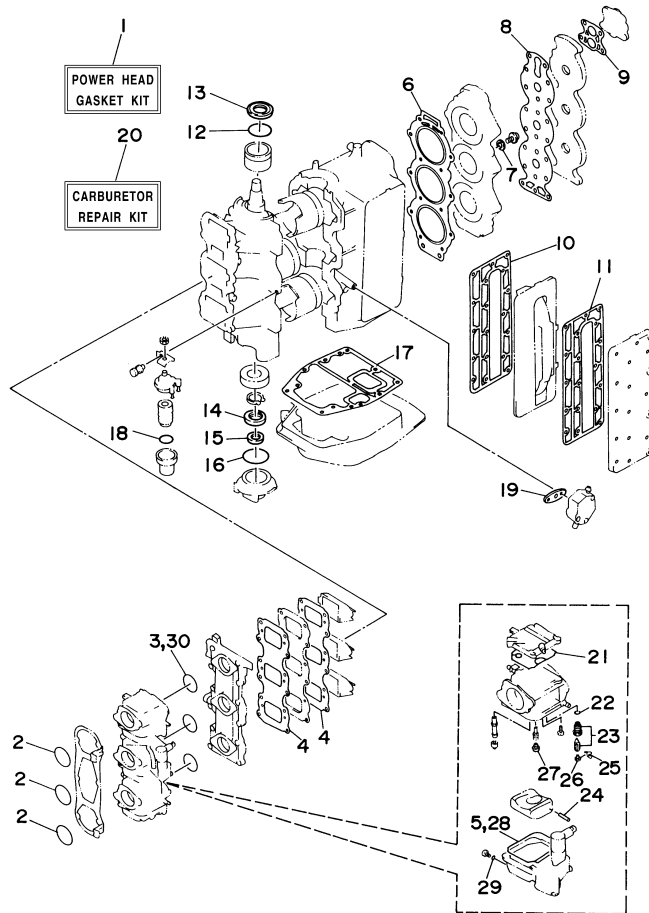
©2014 Yamaha Motor Corporation, U.S.A. All rights reserved.

Part List

90TLR 0509 / OPTIONAL PARTS

| REF - NO | PART NUMBER | PART NAME | QUANTITY | REMARKS |
|----------------|-----------------|---------------------|----------|--------------|
| 1 | 6H1-12440-52-00 | HEAT EXCHANGER ASSY | 1 | AP |
| 2 | 6H1-12413-50-00 | .COVER, THERMOSTAT | 1 | |
| 3 | 6H1-12414-50-00 | .GASKET, COVER | 1 | |
| 4 | 90467-10M04-00 | .CLIP | 7 | |
| 5 | 6H1-14348-51-00 | .PIPE 1 | 1 | |
| 6 | 97880-04006-00 | .SCREW, PAN HEAD | 6 | |
| 7 | 6H1-12443-50-00 | .STAY | 3 | |
| 8 | 6H1-12466-A0-00 | .EXCHANGER, HEAT | 2 | |
| 9 | 6H1-14349-50-00 | .PIPE | 2 | |
| 10 | 6H1-12466-B0-00 | .EXCHANGER, HEAT | 1 | |
| 11 | 6E5-12481-00-00 | .PIPE 1 | 1 | FLUSHING KIT |
| 12 | 6H4-14146-50-00 | .PLATE | 2 | |
| 13 | 6H3-14146-50-00 | .PLATE | 1 | |

90TLR 0509 / REPAIR KIT 1



6H10010-4230

©2014 Yamaha Motor Corporation, U.S.A. All rights reserved.




Part List

90TLR 0509 / REPAIR KIT 1

| REF - NO | PART NUMBER | PART NAME | QUANTITY | REMARKS |
|----------|-----------------|------------------------------|----------|---------|
| 1 | 6H1-W0001-02-00 | POWER HEAD GASKET KIT | 1 | |
| 2 | 93210-46044-00 | .O-RING | 3 | |
| 3 | 93210-39ME4-00 | .O-RING | 3 | |
| 4 | 688-13621-A1-00 | .GASKET, VALVE SEAT | 2 | |
| 5 | 6H4-14984-00-00 | .GASKET, FLOAT CHAMBER | 3 | |
| 6 | 688-11181-A2-00 | .GASKET, CYLINDER HEAD 1 | 1 | |
| 7 | 90430-14115-00 | .GASKET | 1 | |
| 8 | 688-11193-A1-00 | .GASKET, HEAD COVER 1 | 1 | |
| 9 | 688-12414-A1-00 | .GASKET, COVER | 1 | |
| 10 | 688-41112-A0-00 | .GASKET, EXHAUST INNER COVER | 1 | |
| 11 | 688-41114-A0-00 | .GASKET, EXHAUST OUTER COVER | 1 | |
| 12 | 93210-46M16-00 | .O-RING | 1 | |
| 13 | 93102-36M02-00 | .OIL SEAL | 1 | |
| 14 | 93102-30M05-00 | .OIL SEAL | 1 | |
| 15 | 93104-20M02-00 | .OIL SEAL | 1 | |
| 16 | 93210-62269-00 | .O-RING | 1 | |
| 17 | 688-45113-A0-00 | .GASKET, UPPER CASING | 1 | |
| 18 | 93210-32738-00 | .O-RING | 1 | |
| 19 | 650-24431-A0-00 | .GASKET, FUEL PUMP 1 | 1 | |
| 20 | 6H1-W0093-10-00 | CARBURETOR REPAIR KIT | 1 | |
| 21 | 6H4-14147-00-00 | .O-RING | 1 | |
| 22 | 93210-04228-00 | .O-RING | 1 | |
| 23 | 692-14590-01-00 | .NEEDLE VALVE ASSY | 1 | |
| 24 | 6H4-14548-00-00 | .PIN, FLOAT ARM | 1 | |
| 25 | 663-14159-00-00 | .CLIP | 1 | |
| 26 | 676-14186-00-00 | .PIN, FLOAT | 1 | |
| 27 | 676-14966-00-00 | .CAP | 1 | |
| 28 | 6H4-14984-00-00 | .GASKET, FLOAT CHAMBER | 1 | |
| 29 | 93210-04230-00 | .O-RING | 1 | |
| 30 | 93210-39ME4-00 | .O-RING | 1 | |

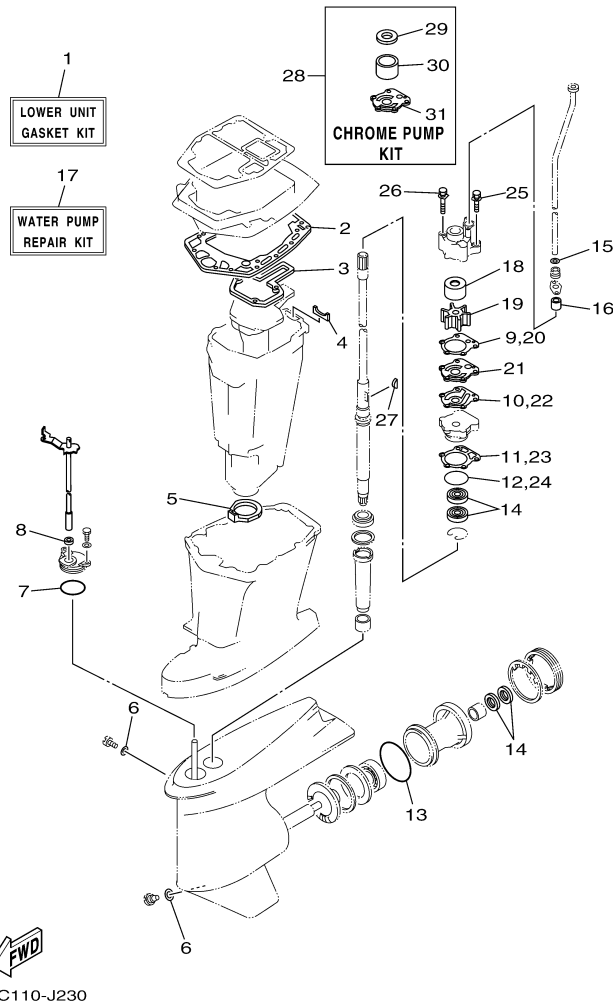
Part Notes

90TLR 0509 / REPAIR KIT 1

| PART NUMBER | | NOTE TEXT |
|-----------------|---|--|
| 688-12414-A1-00 |  | OEM: This part number is among the Top 100 Most Popular Marine Maintenance Parts as of March 2014. |
| 650-24431-A0-00 |  | OEM: This part number is among the Top 100 Most Popular Marine Maintenance Parts as of March 2014. |
| 6H1-W0093-10-00 |  | OEM: This part number is among the Top 100 Most Popular Marine Maintenance Parts as of March 2014. |

©2014 Yamaha Motor Corporation, U.S.A. All rights reserved.

90TLR 0509 / REPAIR KIT 2



©2014 Yamaha Motor Corporation, U.S.A. All rights reserved.






Part List

90TLR 0509 / REPAIR KIT 2

| REF - NO | PART NUMBER | PART NAME | QUANTITY | REMARKS |
|----------|-----------------|-----------------------------|----------|---------|
| 1 | 688-W0001-22-00 | LOWER UNIT GASKET KIT | 1 | |
| 2 | 688-45114-A1-00 | .GASKET, UPPER CASING | 1 | |
| 3 | 688-41134-A0-00 | .GASKET, EXHAUST MANIFOLD | 1 | |
| 4 | 688-41133-00-00 | .GASKET, EXHAUST MANIFOLD 1 | 1 | |
| 5 | 688-45123-00-00 | .GASKET, MUFFLER | 1 | |
| 6 | 90430-08020-00 | .GASKET | 2 | |
| 7 | 93210-49046-00 | .O-RING | 1 | |
| 8 | 93106-09014-00 | .OIL SEAL | 1 | |
| 9 | 688-44315-A0-00 | .GASKET, WATER PUMP | 1 | |
| 10 | 688-44324-A0-00 | .GASKET, CARTRIDGE | 1 | |
| 11 | 688-44316-A0-00 | .GASKET, WATER PUMP | 1 | |
| 12 | 93210-46044-00 | .O-RING | 1 | |
| 13 | 93210-85M97-00 | .O-RING | 1 | |
| 14 | 93101-25M03-00 | .OIL SEAL | 4 | |
| 15 | 90430-12072-00 | .GASKET | 1 | |
| 16 | 663-44366-00-00 | .DAMPER, WATER SEAL 2 | 1 | |
| 17 | 692-W0078-02-00 | WATER PUMP REPAIR KIT | 1 | |
| 18 | 688-44322-00-00 | .INSERT, CARTRIDGE | 1 | |
| 19 | 688-44352-03-00 | .IMPELLER | 1 | |
| 20 | 688-44315-A0-00 | .GASKET, WATER PUMP | 1 | |
| 21 | 688-44323-00-00 | .OUTER PLATE, CARTRIDGE | 1 | |
| 22 | 688-44324-A0-00 | .GASKET, CARTRIDGE | 1 | |
| 23 | 688-44316-A0-00 | .GASKET, WATER PUMP | 1 | |
| 24 | 93210-46044-00 | .O-RING | 1 | |
| 25 | 90119-08M13-00 | .BOLT, WITH WASHER | 2 | |
| 26 | 90119-08M16-00 | .BOLT, WITH WASHER | 2 | |
| 27 | 90280-04M04-00 | .KEY, WOODRUFF | 1 | |
| 28 | 688-W0078-1A-00 | CHROME PUMP KIT | 1 | |
| 29 | 688-44321-41-00 | .INSERT, CARTRIDGE | 1 | |
| 30 | 688-44322-41-00 | .INSERT, CARTRIDGE | 1 | |
| 31 | 688-44323-40-00 | .OUTER PLATE, CARTRIDGE | 1 | |

Part Notes

90TLR 0509 / REPAIR KIT 2

| PART NUMBER | NOTE TEXT |
|---|--|
| 90430-08020-00  | OEM: This part number is among the Top 100 Most Popular Marine Maintenance Parts as of March 2014. |
| 93106-09014-00  | OEM: This part number is among the Top 100 Most Popular Marine Maintenance Parts as of March 2014. |
| 93101-25M03-00  | OEM: This part number is among the Top 100 Most Popular Marine Maintenance Parts as of March 2014. |
| 692-W0078-02-00  | OEM: This part number is among the Top 100 Most Popular Marine Maintenance Parts as of March 2014. |
| 688-44352-03-00  | OEM: This part number is among the Top 100 Most Popular Marine Maintenance Parts as of March 2014. |

©2014 Yamaha Motor Corporation, U.S.A. All rights reserved.

©2014 Yamaha Motor Corporation, U.S.A. All rights reserved.