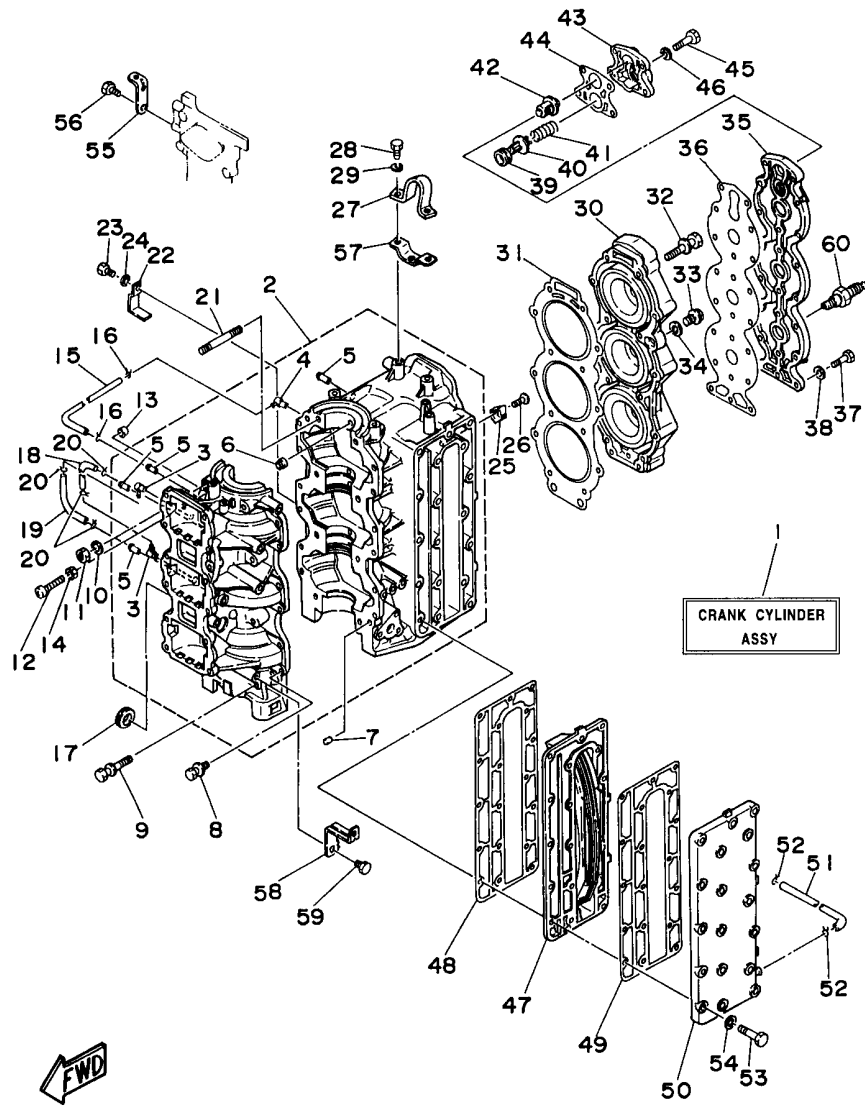


C80TLRV 1997 / CYLINDER CRANKCASE



©2014 Yamaha Motor Corporation, U.S.A. All rights reserved.

## Part List





C80TLRV 1997 / CYLINDER CRANKCASE

| REF<br>-<br>NO | PART<br>NUMBER  | PART NAME                       | QUANTITY | REMARKS |
|----------------|-----------------|---------------------------------|----------|---------|
| 1              | 6H0-W0090-00-4D | CRANK CYLINDER ASSEMBLY         | 1        |         |
| 2              | 6H1-15100-03-94 | CRANKCASE ASSEMBLY              | 1        |         |
| 3              | 688-11370-00-00 | .CHECK VALVE ASSY               | 2        |         |
| 4              | 650-11370-00-00 | .CHECK VALVE ASSY               | 1        |         |
| 5              | 624-14485-00-00 | .PIPE, JOINT                    | 4        |         |
| 6              | 663-11518-01-00 | .LOCK BEARING                   | 3        |         |
| 7              | 93608-12063-00  | PIN, DOWEL                      | 2        |         |
| 8              | 90119-06M12-00  | BOLT, WITH WASHER               | 12       |         |
| 9              | 90119-10M07-00  | BOLT, WITH WASHER               | 6        |         |
| 10             | 90201-100F7-00  | WASHER, PLATE                   | 2        |         |
| 11             | 95314-10600-00  | NUT                             | 2        |         |
| 12             | 90157-06M12-00  | SCREW, PAN HEAD                 | 1        |         |
| 13             | 688-44194-00-00 | CAP                             | 1        |         |
| 14             | 95380-06700-00  | NUT                             | 1        |         |
| 15             | 90445-07260-00  | HOSE (L276)                     | 1        |         |
| 16             | 90467-06016-00  | CLIP                            | 2        |         |
| 17             | 90480-24M04-00  | GROMMET                         | 1        |         |
| 18             | 90445-07M00-00  | HOSE (L100)                     | 1        |         |
| 19             | 90445-07M23-00  | HOSE (L408)                     | 1        |         |
| 20             | 90467-06016-00  | CLIP                            | 4        |         |
| 21             | 90116-10M06-00  | BOLT, STUD                      | 2        |         |
| 22             | 90465-12M03-00  | CLAMP                           | 1        |         |
| 23             | 97095-06014-00  | BOLT                            | 1        |         |
| 24             | 92995-06100-00  | WASHER, SPRING                  | 1        |         |
| 25             | 688-11325-00-00 | ANODE                           | 2        |         |
| 26             | 98780-04015-00  | SCREW, FLAT HEAD                | 2        |         |
| 27             | 688-11119-00-00 | HANGER, ENGINE                  | 1        |         |
| 28             | 97013-08020-00  | BOLT                            | 2        |         |
| 29             | 92990-08100-00  | WASHER, SPRING                  | 2        |         |
| 30             | 6H1-11111-01-94 | HEAD, CYLINDER 1                | 1        |         |
| 31             | 688-11181-A1-00 | .GASKET, CYLINDER HEAD 1        | 1        |         |
| 32             | 90119-08M21-00  | BOLT, WITH WASHER               | 14       |         |
| 33             | 90340-14M00-00  | .PLUG, STRAIGHT SCREW           | 1        |         |
| 34             | 90430-14115-00  | .GASKET                         | 1        |         |
| 35             | 688-11191-00-9M | COVER, CYLINDER HEAD 1          | 1        |         |
| 36             | 688-11193-A1-00 | GASKET, HEAD COVER 1            | 1        |         |
| 37             | 97095-06025-00  | BOLT                            | 18       |         |
| 38             | 92990-06600-00  | WASHER, PLATE                   | 18       |         |
| 39             | 90480-20M05-00  | GROMMET                         | 1        |         |
| 40             | 688-12416-00-00 | VALVE, PRESSURE CONTROL         | 1        |         |
| 41             | 90501-16M11-00  | SPRING, COMPRESSION             | 1        |         |
| 42             | 688-12411-10-00 | THERMOSTAT                      | 1        |         |
| 43             | 688-12413-00-9M | COVER, THERMOSTAT               | 1        |         |
| 44             | 688-12414-A1-00 | .GASKET, COVER                  | 1        |         |
| 45             | 97014-06035-00  | BOLT, HEXAGON                   | 4        |         |
| 46             | 92990-06600-00  | WASHER, PLATE                   | 4        |         |
| 47             | 688-41111-00-9M | INNER COVER, EXHAUST            | 1        |         |
| 48             | 688-41112-A0-00 | GASKET, EXHAUST INNER<br>COVER  | 1        |         |
| 49             | 688-41114-A0-00 | .GASKET, EXHAUST OUTER<br>COVER | 1        |         |
| 50             | 688-41113-00-9M | OUTER COVER, EXHAUST            | 1        |         |
| 51             | 663-24312-01-00 | PIPE 2                          | 1        |         |
| 52             | 90467-08004-00  | CLIP                            | 2        |         |

|    |                 |                           |    |  |
|----|-----------------|---------------------------|----|--|
| 53 | 97013-08040-00  | BOLT                      | 18 |  |
| 54 | 92990-08600-00  | ..WASHER, PLATE           | 18 |  |
| 55 | 6H1-15772-00-00 | STAY 2                    | 1  |  |
| 56 | 97095-06012-00  | BOLT                      | 2  |  |
| 57 | 6H1-15773-00-00 | STAY 3                    | 1  |  |
| 58 | 6H1-21796-00-00 | HINGE                     | 1  |  |
| 59 | 97313-08012-00  | BOLT, HEXAGON             | 1  |  |
| 60 | NGK-B8HS1-00-00 | PLUG, SPARK (NGK B8HS-10) | 3  |  |

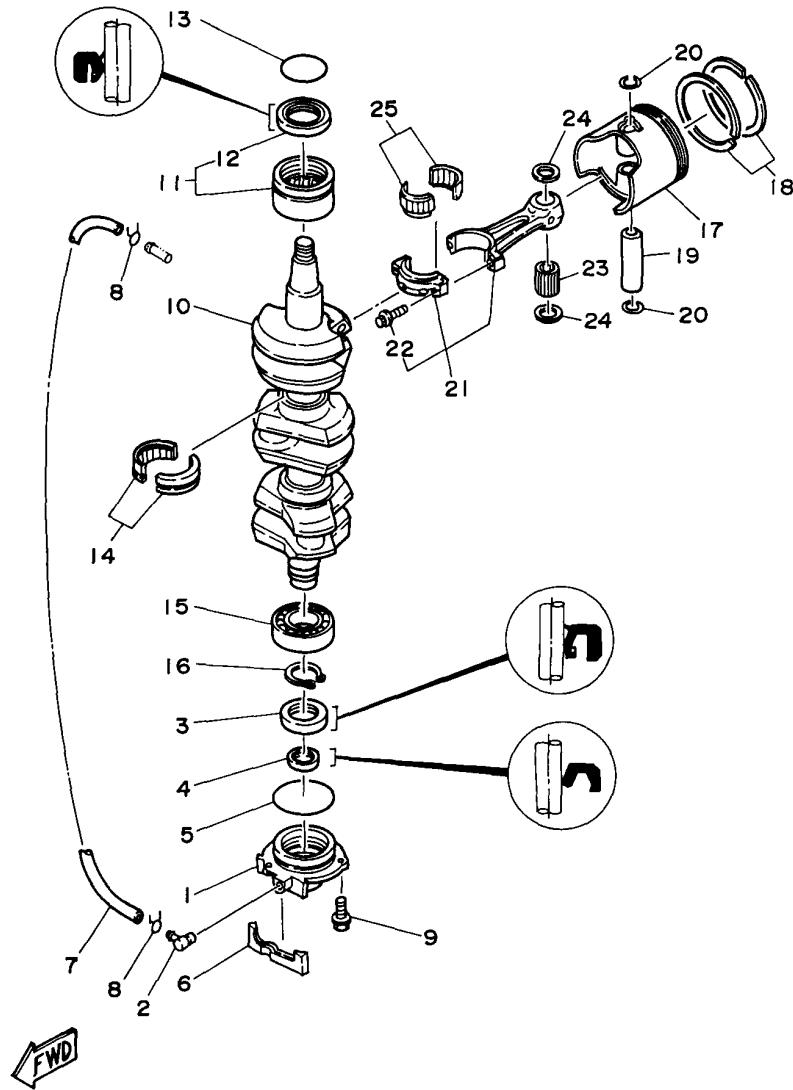
## Part Notes

C80TLRV 1997 / CYLINDER CRANKCASE

| PART NUMBER     |   | NOTE TEXT  |
|-----------------|---|--|
| 92990-06600-00  |  | OEM: This part number is among the Top 100 Most Popular Marine Maintenance Parts as of March 2014. |
| 90480-20M05-00  |  | OEM: This part number is among the Top 100 Most Popular Marine Maintenance Parts as of March 2014. |
| 688-12414-A1-00 |  | OEM: This part number is among the Top 100 Most Popular Marine Maintenance Parts as of March 2014. |
| 92990-06600-00  |  | OEM: This part number is among the Top 100 Most Popular Marine Maintenance Parts as of March 2014. |

©2014 Yamaha Motor Corporation, U.S.A. All rights reserved.

C80TLRV 1997 / CRANKSHAFT PISTON



©2014 Yamaha Motor Corporation, U.S.A. All rights reserved.


## Part List

C80TLRV 1997 / CRANKSHAFT PISTON

| REF<br>-<br>NO | PART<br>NUMBER  | PART NAME                    | QUANTITY | REMARKS |
|----------------|-----------------|------------------------------|----------|---------|
| 1              | 6H1-15359-01-94 | HOUSING, OIL SEAL            | 1        |         |
| 2              | 688-11370-00-00 | CHECK VALVE ASSY             | 1        |         |
| 3              | 93102-30M05-00  | .OIL SEAL                    | 1        |         |
| 4              | 93104-20M02-00  | OIL SEAL                     | 1        |         |
| 5              | 93210-62269-00  | O-RING                       | 1        |         |
| 6              | 688-15379-00-00 | SEAL, CRANKCASE              | 1        |         |
| 7              | 90445-07M86-00  | HOSE (L460)                  | 1        |         |
| 8              | 90467-06016-00  | CLIP                         | 2        |         |
| 9              | 97595-06520-00  | BOLT, WITH WASHER            | 3        |         |
| 10             | 688-11411-01-00 | CRANKSHAFT                   | 1        |         |
| 11             | 93310-636U4-00  | BEARING                      | 1        |         |
| 12             | 93102-36M24-00  | .OIL SEAL                    | 1        |         |
| 13             | 93210-46M16-00  | .O-RING                      | 1        |         |
| 14             | 93310-835U8-00  | BEARING                      | 2        |         |
| 15             | 93306-206U5-00  | BEARING                      | 1        |         |
| 16             | 93410-32M00-00  | CIRCLIP                      | 1        |         |
| 17             | 6H1-11635-03-00 | PISTON (0.25MM O/S)          | 3        | AP      |
| 17             | 6H1-11636-03-00 | PISTON (0.50MM O/S)          | 3        | AP      |
| 17             | 6H1-11631-03-95 | PISTON (STD)                 | 3        |         |
| 18             | 688-11604-A0-00 | PISTON RING SET (0.25MM O/S) | 3        | AP      |
| 18             | 688-11605-A0-00 | PISTON RING SET (0.50MM O/S) | 3        | AP      |
| 18             | 688-11603-A0-00 | PISTON RING SET (STD)        | 3        |         |
| 19             | 663-11633-00-00 | PIN, PISTON                  | 3        |         |
| 20             | 688-11634-10-00 | CLIP, PISTON PIN             | 6        |         |
| 21             | 688-11650-03-00 | CONNECTING ROD ASSY          | 3        |         |
| 22             | 90109-08M61-00  | .BOLT                        | 6        |         |
| 23             | 93603-21111-00  | PIN, DOWEL                   | 84       |         |
| 24             | 90201-20417-00  | WASHER, PLATE                | 6        |         |
| 25             | 93310-730V8-00  | BEARING                      | 3        |         |

## Part Notes

C80TLRV 1997 / CRANKSHAFT PISTON

| PART NUMBER  | NOTE TEXT  |
|--|--|
| 93603-21111-00  | OEM: This part number is among the Top 100 Most Popular Marine Maintenance Parts as of March 2014. |

©2014 Yamaha Motor Corporation, U.S.A. All rights reserved.

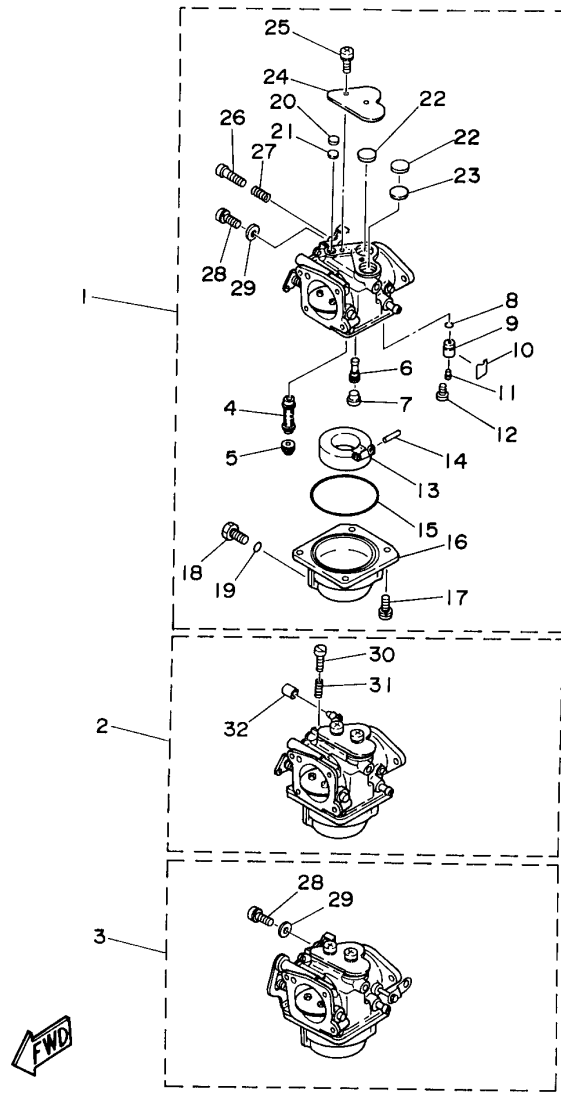


## Part List

C80TLRV 1997 / INTAKE

| REF<br>-<br>NO | PART<br>NUMBER  | PART NAME              | QUANTITY | REMARKS |
|----------------|-----------------|------------------------|----------|---------|
| 1              | 688-41217-01-00 | ROD, ACCEL. LEVER      | 1        |         |
| 2              | 688-13641-00-94 | MANIFOLD 1             | 1        |         |
| 3              | 97095-06012-00  | BOLT                   | 6        |         |
| 4              | 688-14198-A1-00 | GASKET                 | 3        |         |
| 5              | 688-13621-A1-00 | .GASKET, VALVE SEAT    | 2        |         |
| 6              | 688-13624-00-00 | PLATE, REED VALVE      | 1        |         |
| 7              | 688-13610-00-00 | REED VALVE ASSY        | 3        |         |
| 8              | 688-W0004-00-00 | .REED SET              | 1        |         |
| 9              | 97885-05020-00  | .SCREW, PAN HEAD       | 6        |         |
| 10             | 92990-05100-00  | .WASHER, SPRING        | 6        |         |
| 11             | 97095-06030-00  | BOLT                   | 12       |         |
| 12             | 92995-06100-00  | WASHER, SPRING         | 12       |         |
| 13             | 6H1-14440-02-00 | SILENCER ASSY, INTAKE  | 1        |         |
| 14             | 93210-46044-00  | O-RING                 | 3        |         |
| 15             | 97885-06050-00  | SCREW, PAN HEAD        | 4        |         |
| 16             | 90209-06M05-00  | WASHER                 | 4        |         |
| 17             | 6H0-14413-00-00 | STAY                   | 1        |         |
| 18             | 90116-06M30-00  | BOLT, STUD             | 6        |         |
| 19             | 92995-06100-00  | WASHER, SPRING         | 6        |         |
| 20             | 95380-06600-00  | NUT, HEXAGON           | 6        |         |
| 21             | 688-41257-01-00 | ROD, CHOKE 2           | 2        |         |
| 22             | 661-41262-02-00 | JOINT, CHOKE LEVER     | 5        |         |
| 23             | 689-41273-00-00 | GROMMET                | 1        |         |
| 24             | 692-41256-00-00 | ROD, CHOKE 1           | 1        |         |
| 25             | 688-86110-01-00 | SOLENOID COIL ASSEMBLY | 1        |         |
| 26             | 93210-03261-00  | O-RING                 | 1        |         |
| 27             | 90159-06M19-00  | SCREW, WITH WASHER     | 2        |         |

C80TLRV 1997 / CARBURETOR



©2014 Yamaha Motor Corporation, U.S.A. All rights reserved.

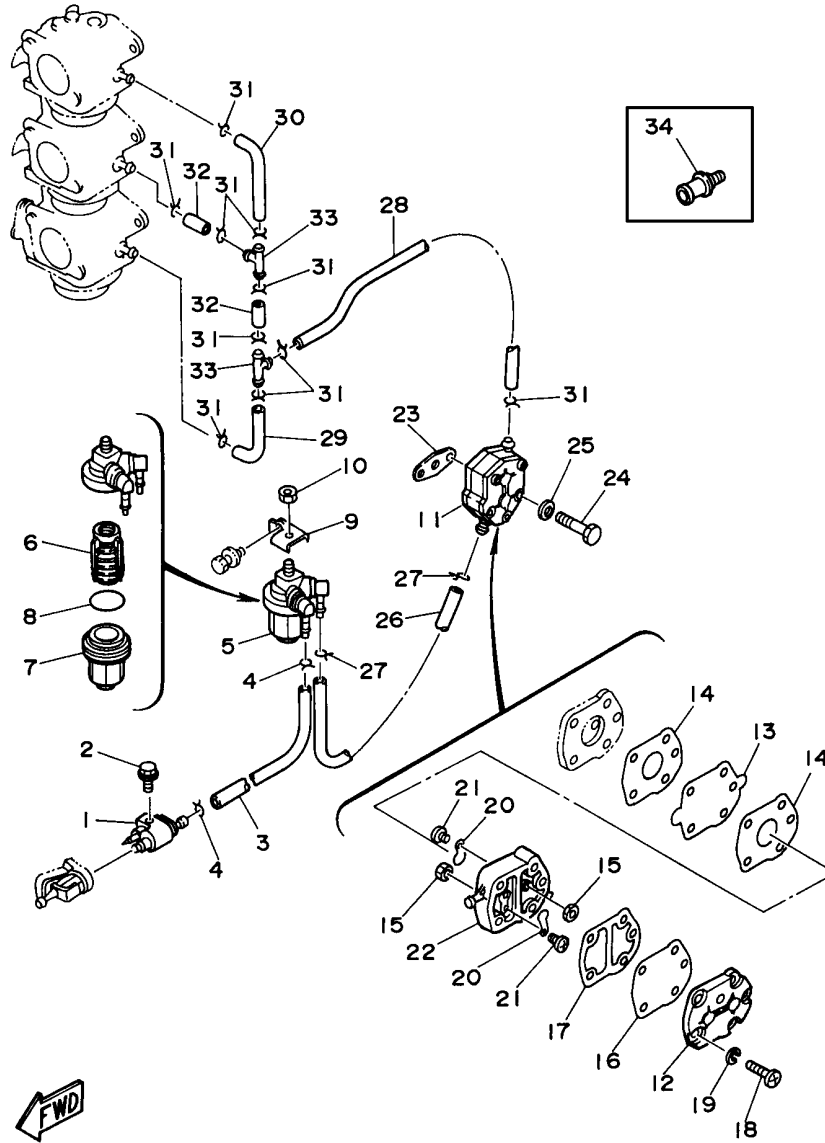


## Part List

C80TLRV 1997 / CARBURETOR

| REF<br>-<br>NO | PART<br>NUMBER  | PART NAME              | QUANTITY | REMARKS |
|----------------|-----------------|------------------------|----------|---------|
| 1              | 6H0-14301-15-00 | CARBURETOR ASSEMBLY 1  | 1        |         |
| 2              | 6H0-14302-15-00 | CARBURETOR ASSEMBLY 2  | 1        |         |
| 3              | 6H0-14303-15-00 | CARBURETOR ASSEMBLY 3  | 1        |         |
| 4              | 6H0-14947-01-00 | .JET, NEEDLE           | 3        |         |
| 5              | 676-14943-39-00 | .JET, MAIN (#160)      | 3        |         |
| 6              | 6E9-14948-19-00 | .JET (#80)             | 3        |         |
| 7              | 676-14966-00-00 | .CAP                   | 3        |         |
| 8              | 93210-04228-00  | .O-RING                | 3        |         |
| 9              | 692-14590-00-00 | .VALVE SEAT            | 3        |         |
| 10             | 663-14159-00-00 | .CLIP                  | 3        |         |
| 11             | 676-14186-00-00 | .PIN, FLOAT            | 3        |         |
| 12             | 98580-04008-00  | .SCREW, PAN HEAD       | 3        |         |
| 13             | 676-14985-01-00 | .FLOAT                 | 3        |         |
| 14             | 688-14548-00-00 | .PIN, FLOAT ARM        | 3        |         |
| 15             | 676-14984-00-00 | .GASKET, FLOAT CHAMBER | 3        |         |
| 16             | 688-14980-00-00 | .BODY, FLOAT CHAMBER   | 3        |         |
| 17             | 97980-04114-00  | .SCREW, WITH WASHER    | 12       |         |
| 18             | 6H3-14992-00-00 | .SCREW, DRAIN          | 3        |         |
| 19             | 93210-04230-00  | .O-RING                | 3        |         |
| 20             | 663-14126-00-00 | .GASKET                | 3        |         |
| 21             | 663-14527-00-00 | .PLATE                 | 3        |         |
| 22             | 688-14126-00-00 | .GASKET                | 6        |         |
| 23             | 688-14527-00-00 | .PLATE                 | 3        |         |
| 24             | 688-14572-01-00 | .PLATE, STAY           | 3        |         |
| 25             | 97980-05310-00  | .SCREW, WITH WASHER    | 6        |         |
| 26             | 692-14923-00-00 | .SCREW, PILOT          | 3        |         |
| 27             | 679-14555-00-00 | .SPRING                | 3        |         |
| 28             | 6K5-14592-00-00 | .SCREW                 | 2        |         |
| 29             | 90201-05652-00  | .WASHER, PLATE         | 2        |         |
| 30             | 63V-14523-00-00 | .SCREW, STOP           | 1        | CENTER  |
| 31             | 90501-10326-00  | .SPRING, COMPRESSION   | 1        | CENTER  |
| 32             | 6H2-14578-00-00 | .COLLAR                | 1        | CENTER  |

C80TLRV 1997 / FUEL



©2014 Yamaha Motor Corporation, U.S.A. All rights reserved.




## Part List

C80TLRV 1997 / FUEL

| REF<br>-<br>NO | PART<br>NUMBER  | PART NAME               | QUANTITY | REMARKS |
|----------------|-----------------|-------------------------|----------|---------|
| 1              | 6G1-24304-02-00 | FUEL PIPE JOINT COMP. 1 | 1        |         |
| 2              | 97595-06520-00  | BOLT, WITH WASHER       | 1        |         |
| 3              | 90445-093J2-00  | HOSE (JN3)              | 1        |         |
| 4              | 90467-08004-00  | CLIP                    | 2        |         |
| 5              | 61N-24560-00-00 | FILTER ASSY             | 1        |         |
| 6              | 61N-24563-00-00 | .ELEMENT, FILTER        | 1        |         |
| 7              | 61N-24521-00-00 | .CUP, FILTER            | 1        |         |
| 8              | 93210-32738-00  | .O-RING                 | 1        |         |
| 9              | 6H1-24566-00-00 | BRACKET, FILTER         | 1        |         |
| 10             | 95380-08600-00  | NUT                     | 1        |         |
| 11             | 692-24410-00-00 | FUEL PUMP ASSY          | 1        |         |
| 12             | 648-24413-01-00 | .BODY 2                 | 1        |         |
| 13             | 692-24411-00-00 | .DIAPHRAGM              | 1        |         |
| 14             | 648-24434-01-00 | .GASKET, BODY           | 2        |         |
| 15             | 95380-03600-00  | .NUT                    | 2        |         |
| 16             | 663-24411-00-00 | .DIAPHRAGM              | 1        |         |
| 17             | 648-24435-02-00 | .GASKET, BODY 2         | 1        |         |
| 18             | 98580-05530-00  | .SCREW, PAN HEAD        | 3        |         |
| 19             | 92990-05100-00  | .WASHER, SPRING         | 3        |         |
| 20             | 6A0-24421-01-00 | .VALVE, CHECK           | 2        |         |
| 21             | 6A0-14325-00-00 | .SCREW, PAN HEAD        | 2        |         |
| 22             | 6A0-24412-02-00 | .BODY 1                 | 1        |         |
| 23             | 650-24431-A0-00 | GASKET, FUEL PUMP 1     | 1        |         |
| 24             | 97095-06040-00  | .BOLT                   | 2        |         |
| 25             | 92990-06600-00  | WASHER, PLATE           | 2        |         |
| 26             | 6H1-24314-00-00 | PIPE 4                  | 1        |         |
| 27             | 90467-08004-00  | CLIP                    | 2        |         |
| 28             | 90445-097F7-00  | HOSE (L780)             | 1        |         |
| 29             | 688-24313-00-00 | PIPE 3                  | 1        |         |
| 30             | 688-24314-00-00 | PIPE 4                  | 1        |         |
| 31             | 90467-08004-00  | CLIP                    | 10       |         |
| 32             | 90445-09078-00  | HOSE                    | 2        |         |
| 33             | 688-24378-00-00 | PIPE, JOINT 3           | 2        |         |
| 34             | 656-W2810-02-00 | TOOL KIT                | 1        |         |
| 35             | 6E0-28193-00-94 | PLUG, WATER CHECK       | 1        | AP      |

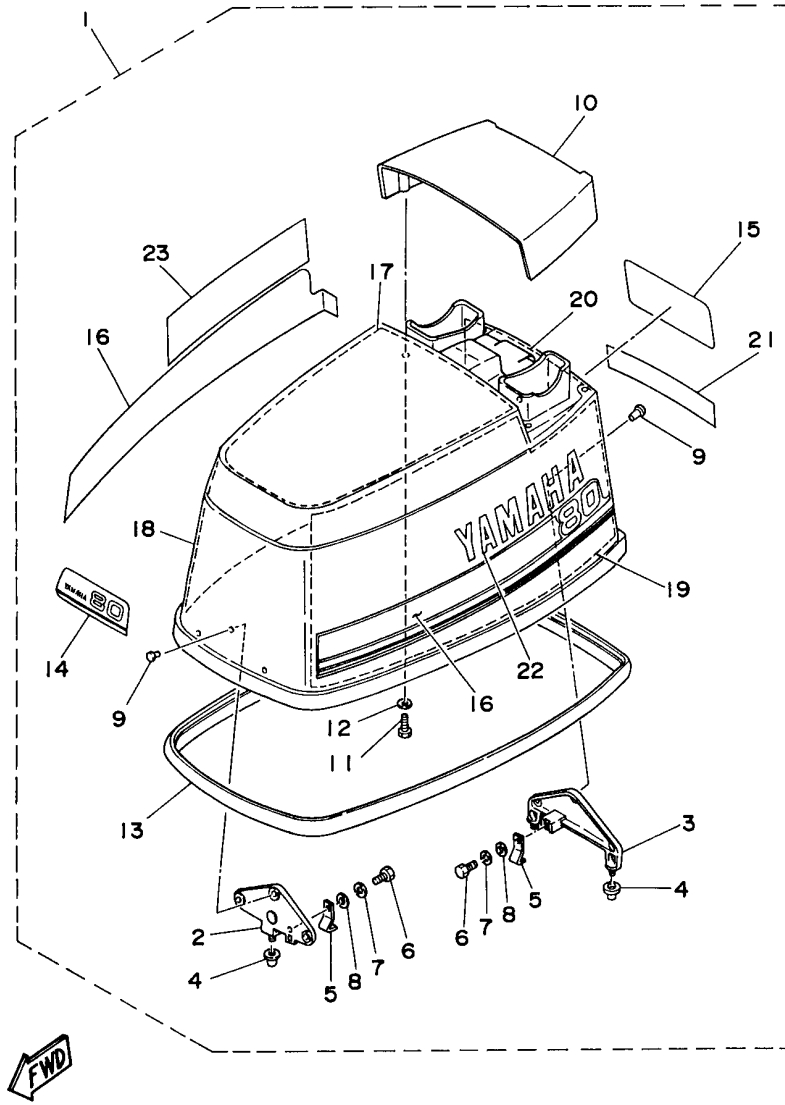
## Part Notes

C80TLRV 1997 / FUEL

| PART NUMBER   | NOTE TEXT  |
|---|--|
| 692-24410-00-00  | OEM: This part number is among the Top 100 Most Popular Marine Maintenance Parts as of March 2014. |
| 650-24431-A0-00  | OEM: This part number is among the Top 100 Most Popular Marine Maintenance Parts as of March 2014. |
| 92990-06600-00   | OEM: This part number is among the Top 100 Most Popular Marine Maintenance Parts as of March 2014. |

©2014 Yamaha Motor Corporation, U.S.A. All rights reserved.

C80TLRV 1997 / TOP COWLING



©2014 Yamaha Motor Corporation, U.S.A. All rights reserved.



## Part List

C80TLRV 1997 / TOP COWLING

| REF<br>-<br>NO | PART<br>NUMBER  | PART NAME            | QUANTITY | REMARKS |
|----------------|-----------------|----------------------|----------|---------|
| 1              | 6H0-42610-31-4D | TOP COWLING ASSEMBLY | 1        |         |
| 2              | 6H1-42647-00-94 | .HOLDER, CLAMP BAND  | 1        |         |
| 3              | 6H1-42649-00-94 | .HOLDER, CLAMP BAND  | 1        |         |
| 4              | 663-42662-00-00 | .DAMPER              | 3        |         |
| 5              | 688-42652-10-00 | .HOOK                | 2        |         |
| 6              | 97095-06016-00  | .BOLT                | 2        |         |
| 7              | 92995-06100-00  | .WASHER, SPRING      | 2        |         |
| 8              | 92990-06600-00  | .WASHER, PLATE       | 2        |         |
| 9              | 90266-06M02-00  | .RIVET               | 6        |         |
| 10             | 6H1-42613-01-4D | .MOLDING, AIR DUCT   | 1        |         |
| 11             | 97095-06016-00  | .BOLT                | 4        |         |
| 12             | 92990-06600-00  | .WASHER, PLATE       | 4        |         |
| 13             | 688-42615-00-00 | .SEAL                | 1        |         |
| 14             | 6H0-42677-40-00 | .GRAPHIC, FRONT      | 1        |         |
| 15             | 6H0-42678-40-00 | .GRAPHIC, REAR       | 1        |         |
| 16             | 6H0-W0070-30-00 | .GRAPHIC SET         | 1        |         |
| 17             | 689-W4266-20-00 | .DAMPER, FORM        | 1        |         |
| 18             | 689-W4266-40-00 | .DAMPER, FORM        | 1        |         |
| 19             | 689-W4266-40-00 | .DAMPER, FORM        | 1        |         |
| 20             | 689-W4266-10-00 | .DAMPER, FORM        | 1        |         |
| 21             | 6H1-4267A-40-00 | .GRAPHIC, REAR 2     | 1        |         |
| 22             | 6H0-42681-40-00 | .MARK, COWLING       | 1        |         |
| 23             | 6H0-42682-40-00 | .MARK, COWLING       | 1        |         |

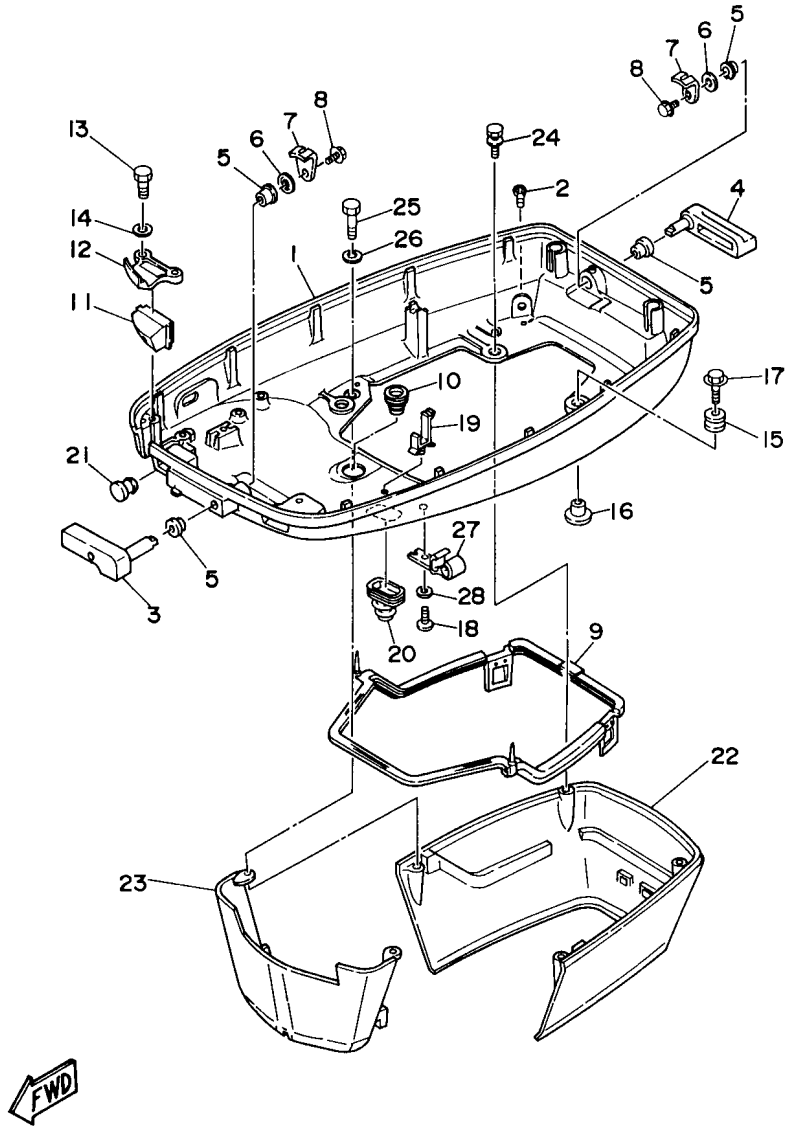
## Part Notes

C80TLRV 1997 / TOP COWLING

| PART NUMBER    |   | NOTE TEXT  |
|----------------|---|--|
| 92990-06600-00 |  | OEM: This part number is among the Top 100 Most Popular Marine Maintenance Parts as of March 2014. |
| 92990-06600-00 |  | OEM: This part number is among the Top 100 Most Popular Marine Maintenance Parts as of March 2014. |

©2014 Yamaha Motor Corporation, U.S.A. All rights reserved.

C80TLRV 1997 / BOTTOM COWLING



©2014 Yamaha Motor Corporation, U.S.A. All rights reserved.



## Part List

C80TLRV 1997 / BOTTOM COWLING

| REF - NO | PART NUMBER     | PART NAME          | QUANTITY | REMARKS |
|----------|-----------------|--------------------|----------|---------|
| 1        | 688-42711-04-4D | COWLING, BOTTOM    | 1        |         |
| 2        | 6H3-44391-01-00 | NIPPLE, HOSE       | 1        |         |
| 3        | 688-42815-01-4D | LEVER, CLAMP       | 1        |         |
| 4        | 688-42817-01-4D | LEVER, CLAMP       | 1        |         |
| 5        | 90386-13M38-00  | BUSH               | 4        |         |
| 6        | 90206-13019-00  | WASHER, WAVE       | 2        |         |
| 7        | 688-42816-00-00 | LEVER, CLAMP 2     | 2        |         |
| 8        | 90119-06M09-00  | BOLT, WITH WASHER  | 2        |         |
| 9        | 688-42716-02-00 | RUBBER, SEAL 1     | 1        |         |
| 10       | 663-42724-00-00 | GROMMET            | 1        |         |
| 11       | 688-42725-10-00 | GROMMET            | 1        |         |
| 12       | 688-42738-01-94 | PLATE, FITTING     | 1        |         |
| 13       | 97095-06016-00  | BOLT               | 2        |         |
| 14       | 92990-06600-00  | WASHER, PLATE      | 2        |         |
| 15       | 90480-09M12-00  | GROMMET            | 4        |         |
| 16       | 90387-06M69-00  | COLLAR             | 4        |         |
| 17       | 90119-06M61-00  | BOLT, WITH WASHER  | 4        |         |
| 18       | 90157-06M01-00  | SCREW, PAN HEAD    | 1        |         |
| 19       | 90464-15M08-00  | CLAMP              | 1        |         |
| 20       | 688-42726-10-00 | GROMMET            | 1        |         |
| 21       | 6G1-42748-00-00 | GROMMET            | 1        |         |
| 22       | 688-42741-01-4D | APRON              | 1        |         |
| 23       | 688-42771-01-4D | APRON              | 1        |         |
| 24       | 97595-06420-00  | BOLT, WITH WASHER  | 2        |         |
| 25       | 97095-06030-00  | BOLT               | 2        |         |
| 26       | 92995-06100-00  | WASHER, SPRING     | 2        |         |
| 27       | 6E5-24367-01-00 | CLAMP, FUEL PIPE 2 | 1        |         |
| 28       | 92990-06600-00  | WASHER, PLATE      | 1        |         |

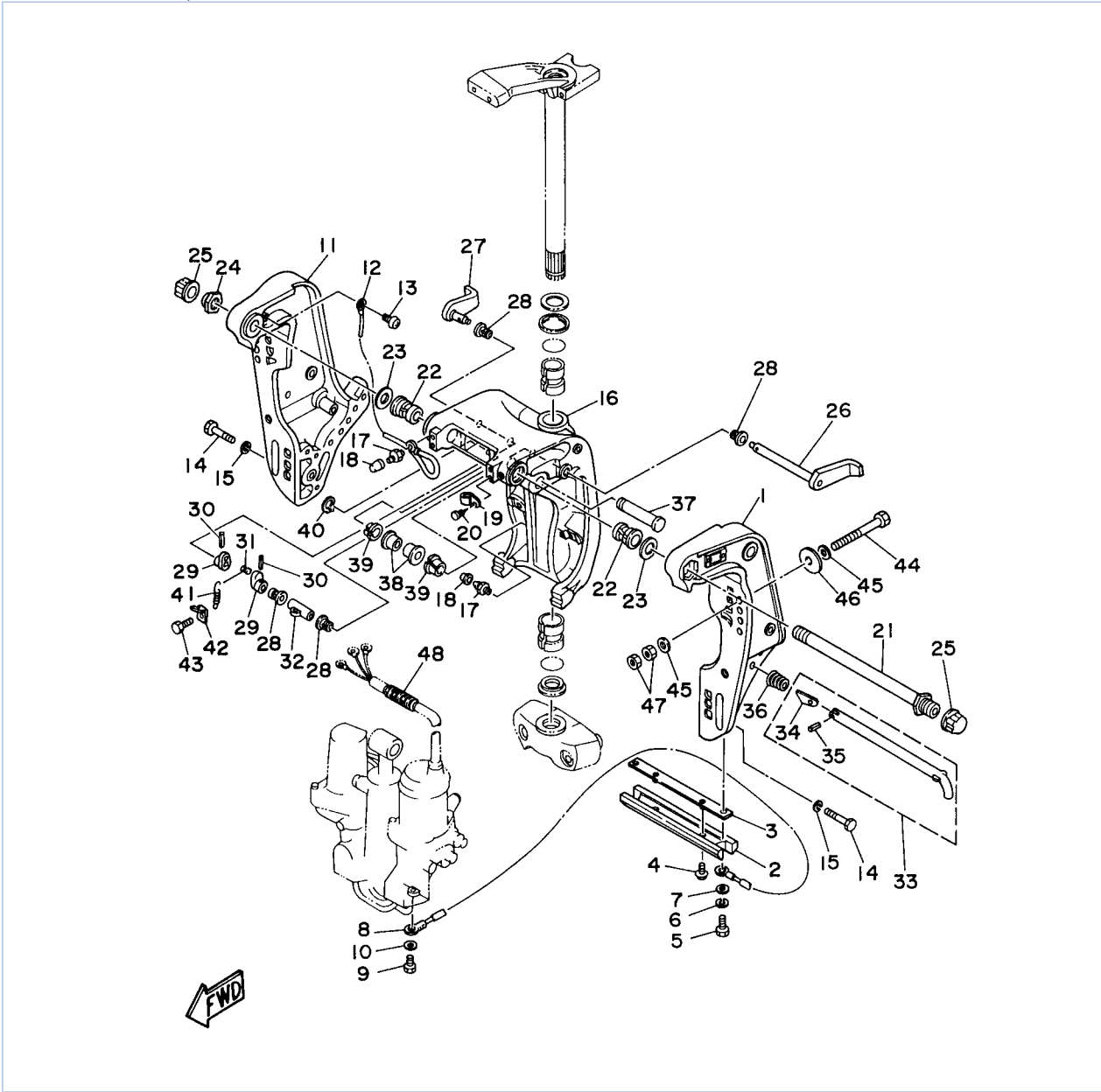
## Part Notes

C80TLRV 1997 / BOTTOM COWLING

| PART NUMBER  | NOTE TEXT  |
|--|--|
| 92990-06600-00  | OEM: This part number is among the Top 100 Most Popular Marine Maintenance Parts as of March 2014. |
| 92990-06600-00  | OEM: This part number is among the Top 100 Most Popular Marine Maintenance Parts as of March 2014. |

©2014 Yamaha Motor Corporation, U.S.A. All rights reserved.

C80TLRV 1997 / BRACKET 1



©2014 Yamaha Motor Corporation, U.S.A. All rights reserved.



## Part List



C80TLRV 1997 / BRACKET 1

| REF<br>-<br>NO | PART<br>NUMBER  | PART NAME              | QUANTITY | REMARKS |
|----------------|-----------------|------------------------|----------|---------|
| 1              | 6H1-43111-01-4D | BRACKET, CLAMP 1       | 1        |         |
| 2              | 6H1-45251-02-00 | ANODE                  | 1        |         |
| 3              | 6H1-44526-00-00 | PLATE                  | 1        |         |
| 4              | 90119-06M29-00  | BOLT, WITH WASHER      | 2        |         |
| 5              | 97095-06016-00  | BOLT                   | 2        |         |
| 6              | 92995-06100-00  | WASHER, SPRING         | 2        |         |
| 7              | 92990-06600-00  | WASHER, PLATE          | 2        |         |
| 8              | 6H1-82148-00-00 | WIRE, LEAD 4           | 1        |         |
| 9              | 97095-06010-00  | BOLT                   | 1        |         |
| 10             | 92990-06600-00  | WASHER, PLATE          | 1        |         |
| 11             | 6H1-43112-00-4D | BRACKET, CLAMP 2       | 1        |         |
| 12             | 6E5-82148-00-00 | WIRE, LEAD 4           | 1        |         |
| 13             | 98580-06012-00  | SCREW, PAN HEAD        | 1        |         |
| 14             | 97095-10045-00  | BOLT                   | 6        |         |
| 15             | 92990-10100-00  | WASHER, SPRING         | 6        |         |
| 16             | 6H1-43311-01-4D | BRACKET, SWIVEL 1      | 1        |         |
| 17             | 93700-06M03-00  | NIPPLE, GREASE         | 3        |         |
| 18             | 663-45119-00-00 | CAP, GREASE NIPPLE     | 3        | AP      |
| 19             | 90464-11M18-00  | CLAMP                  | 1        |         |
| 20             | 90338-05M03-00  | PLUG                   | 1        |         |
| 21             | 688-43131-03-00 | BOLT, CLAMP BRACKET    | 1        |         |
| 22             | 90386-22M15-00  | BUSH                   | 2        |         |
| 23             | 90201-22M67-00  | WASHER, PLATE          | 2        |         |
| 24             | 90185-22M11-00  | NUT, SELF-LOCKING      | 1        |         |
| 25             | 6G5-43145-00-00 | CAP, CLAMP BRACKET     | 2        |         |
| 26             | 6H1-43181-01-00 | LEVER, TILT STOP       | 1        |         |
| 27             | 6H1-43185-01-00 | LEVER, TILT STOP       | 1        |         |
| 28             | 90386-10M16-00  | BUSH                   | 4        |         |
| 29             | 6G5-43148-00-00 | COLLAR, DISTANCE       | 2        |         |
| 30             | 91690-30020-00  | PIN, SPRING            | 2        |         |
| 31             | 90249-06M19-00  | PIN                    | 1        |         |
| 32             | 90387-10M02-00  | COLLAR                 | 1        |         |
| 33             | 688-43160-01-00 | TILT ROD ASSY          | 1        |         |
| 34             | 688-43165-00-00 | .PLATE, TILT LOCK      | 1        |         |
| 35             | 91690-30012-00  | .PIN, SPRING           | 1        |         |
| 36             | 90502-16M02-00  | SPRING, CONICAL        | 1        |         |
| 37             | 6E5-43126-02-00 | PIN, UPPER SHOCK MOUNT | 1        |         |
| 38             | 90386-18M63-00  | BUSH                   | 2        |         |
| 39             | 90386-18M35-00  | BUSH                   | 2        |         |
| 40             | 93410-18M02-00  | CIRCLIP                | 1        |         |
| 41             | 90506-14M24-00  | SPRING, TENSION        | 1        |         |
| 42             | 6G5-43144-00-00 | HOOK, SPRING           | 1        |         |
| 43             | 97095-06010-00  | BOLT                   | 1        |         |
| 44             | 90101-12M65-00  | BOLT                   | 4        |         |
| 45             | 92990-12200-00  | WASHER, PLAIN          | 8        |         |
| 46             | 90201-12426-00  | WASHER, PLATE          | 4        |         |
| 47             | 95380-12600-00  | NUT                    | 8        |         |
| 48             | 90440-14M00-00  | PIPE                   | 1        |         |

## Part Notes

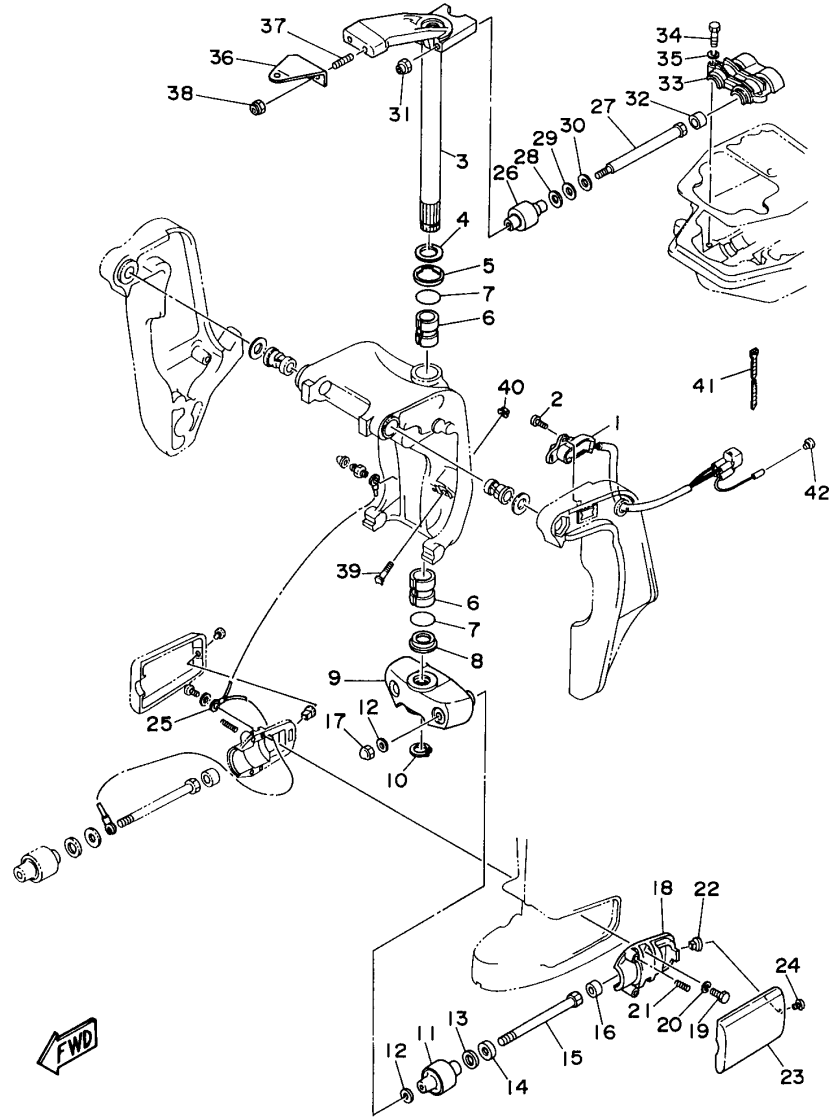
C80TLRV 1997 / BRACKET 1

| PART NUMBER    | NOTE TEXT  |
|----------------|--|
| 92990-06600-00 | OEM: This part number is among the Top 100 Most Popular Marine Maintenance Parts as of March 2014. |

|                |   |  |
|----------------|---|--|
|                |  |  |
| 92990-06600-00 |  | OEM: This part number is among the Top 100 Most Popular Marine Maintenance Parts as of March 2014. |

©2014 Yamaha Motor Corporation, U.S.A. All rights reserved.

C80TLRV 1997 / BRACKET 2



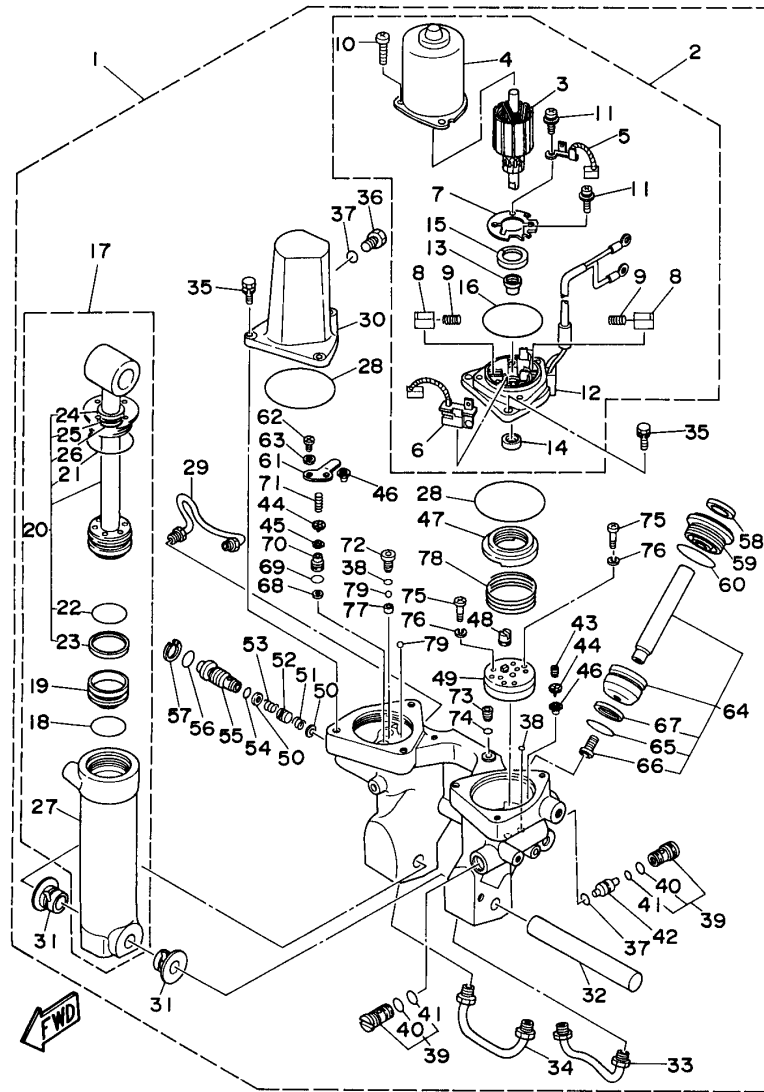
©2014 Yamaha Motor Corporation, U.S.A. All rights reserved.

## Part List

C80TLRV 1997 / BRACKET 2

| REF<br>-<br>NO | PART<br>NUMBER  | PART NAME                      | QUANTITY | REMARKS |
|----------------|-----------------|--------------------------------|----------|---------|
| 1              | 6H1-83672-11-00 | TRIM SENDER                    | 1        |         |
| 2              | 97885-06016-00  | SCREW, PAN HEAD                | 2        |         |
| 3              | 688-42510-02-4D | STEERING BRACKET ASSY          | 1        |         |
| 4              | 90201-30M00-00  | WASHER, PLATE                  | 1        |         |
| 5              | 90386-30M78-00  | BUSH                           | 1        |         |
| 6              | 90386-30M77-00  | BUSH                           | 2        |         |
| 7              | 93210-29M94-00  | O-RING                         | 2        |         |
| 8              | 90386-30M60-00  | BUSH                           | 1        |         |
| 9              | 663-44551-02-4D | HOUSING, LOWER MOUNT<br>RUBBER | 1        |         |
| 10             | 93410-28M06-00  | CIRCLIP                        | 1        |         |
| 11             | 687-44555-00-94 | MOUNT DAMPER, LOWER<br>SIDE    | 2        |         |
| 12             | 90201-12M16-00  | WASHER, PLATE                  | 4        |         |
| 13             | 90202-25M04-00  | WASHER, PLATE                  | 2        |         |
| 14             | 90201-13M19-00  | WASHER, PLATE                  | 2        |         |
| 15             | 90109-12261-00  | BOLT                           | 2        |         |
| 16             | 663-44575-00-00 | DAMPER, LOWER MOUNT<br>RUBBER  | 2        |         |
| 17             | 95380-12800-00  | NUT, CROWN                     | 2        |         |
| 18             | 687-44552-02-94 | HOUSING, LOWER MOUNT<br>RUBBER | 2        |         |
| 19             | 97095-08025-00  | BOLT                           | 4        |         |
| 20             | 92990-08100-00  | WASHER, SPRING                 | 4        |         |
| 21             | 90501-14M08-00  | SPRING, COMPRESSION            | 4        |         |
| 22             | 90179-06066-00  | NUT                            | 2        |         |
| 23             | 663-44553-01-4D | COVER, LOWER MOUNT             | 2        |         |
| 24             | 97885-06016-00  | SCREW, PAN HEAD                | 2        |         |
| 25             | 688-82127-02-00 | WIRE, LEAD 2                   | 1        |         |
| 26             | 688-44514-00-94 | MOUNT DAMPER, UPPER<br>SIDE    | 2        |         |
| 27             | 90101-10M49-00  | BOLT                           | 2        |         |
| 28             | 90201-20M21-00  | WASHER, PLATE                  | 2        |         |
| 29             | 90202-20M06-00  | WASHER, PLATE                  | 2        |         |
| 30             | 90201-11M22-00  | WASHER, PLATE                  | 2        |         |
| 31             | 90185-10051-00  | NUT, SELF-LOCKING              | 2        |         |
| 32             | 663-44575-00-00 | DAMPER, LOWER MOUNT<br>RUBBER  | 2        |         |
| 33             | 688-44511-00-94 | COVER, UPPER MOUNT             | 1        |         |
| 34             | 97095-08035-00  | BOLT                           | 3        |         |
| 35             | 92990-08100-00  | WASHER, SPRING                 | 3        |         |
| 36             | 688-48511-01-4D | HOOK, STEERING                 | 1        |         |
| 37             | 90116-10175-00  | BOLT, STUD                     | 2        |         |
| 38             | 90185-10051-00  | NUT, SELF-LOCKING              | 2        |         |
| 39             | 6H1-43376-00-00 | BOLT, THRUST RECEIVER          | 2        |         |
| 40             | 95780-08300-00  | ..NUT, FLANGE                  | 2        |         |
| 41             | 90465-11M10-00  | CLAMP                          | 3        |         |
| 42             | 703-82119-00-00 | COVER, LEAD WIRE               | 1        | AP      |

C80TLRV 1997 / POWER TRIM TILT ASSEMBLY 1



©2014 Yamaha Motor Corporation, U.S.A. All rights reserved.

## Part List




C80TLRV 1997 / POWER TRIM TILT ASSEMBLY 1

| REF<br>-<br>NO | PART<br>NUMBER  | PART NAME                | QUANTITY | REMARKS |
|----------------|-----------------|--------------------------|----------|---------|
| 1              | 6H1-43800-15-4D | POWER TRIM & TILT ASSY   | 1        |         |
| 2              | 6H1-43880-02-00 | ..MOTOR ASSY             | 1        |         |
| 3              | 6H1-43805-10-00 | ..ARMATURE ASSY          | 1        |         |
| 4              | 6H1-43804-10-00 | ..STATOR ASSY            | 1        |         |
| 5              | 6H1-43891-10-00 | ..BRUSH 1                | 1        |         |
| 6              | 6H1-43892-10-00 | ..BREAKER COMP (BRUSH 2) | 1        |         |
| 7              | 6H1-4380F-10-00 | ..PLATE, BRUSH HOLDER    | 1        |         |
| 8              | 6H1-4380J-10-00 | ..HOLDER, BRUSH          | 2        |         |
| 9              | 6H1-4386K-10-00 | ..SPRING, BRUSH          | 2        |         |
| 10             | 97885-05016-00  | ..SCREW, PAN HEAD        | 3        |         |
| 11             | 98507-04010-00  | ..SCREW, PAN HEAD        | 2        |         |
| 12             | 6H1-43881-10-00 | ..FRAME, END             | 1        |         |
| 13             | 6H1-4380H-10-00 | ..METAL                  | 1        |         |
| 14             | 93102-08M43-00  | ..OIL SEAL               | 1        |         |
| 15             | 6H1-4380G-10-00 | ..PLATE                  | 1        |         |
| 16             | 6H1-43865-10-00 | ..O-RING                 | 1        |         |
| 17             | 6H1-43840-11-00 | ..POWER TILT ASSY        | 1        |         |
| 18             | 6H1-43861-10-00 | ..O-RING                 | 1        |         |
| 19             | 6H1-43814-11-00 | ..PISTON, FREE           | 1        |         |
| 20             | 6H1-43810-11-00 | ..TILT PISTON SUB ASSY   | 1        |         |
| 21             | 6H1-43861-00-00 | ..O-RING                 | 1        |         |
| 22             | 6H1-43861-10-00 | ..O-RING                 | 1        |         |
| 23             | 6H1-43871-10-00 | ..RING, BACK UP          | 1        |         |
| 24             | 6H1-43812-00-00 | ..SEAL, DUST             | 1        |         |
| 25             | 6H1-43872-10-00 | ..RING, BACK UP          | 1        |         |
| 26             | 93210-18322-00  | ..O-RING                 | 1        |         |
| 27             | 6H1-43813-10-00 | ..CYLINDER, TILT         | 1        |         |
| 28             | 93210-65752-00  | ..O-RING                 | 2        |         |
| 29             | 6H1-43835-10-00 | ..PIPE                   | 1        |         |
| 30             | 6H1-43828-10-00 | ..BODY, RESERVOIR        | 1        |         |
| 31             | 90386-18M14-00  | ..BUSH                   | 2        |         |
| 32             | 6E5-43818-00-00 | ..PIN, LOWER SHOCK MOUNT | 1        |         |
| 33             | 6H1-43833-10-00 | ..PIPE                   | 1        |         |
| 34             | 6H1-43834-00-00 | ..PIPE                   | 1        |         |
| 35             | 97595-06420-00  | ..BOLT, WITH WASHER      | 6        |         |
| 36             | 6H1-43829-00-00 | ..PLUG, RESERVOIR        | 1        |         |
| 37             | 93210-09350-00  | ..O-RING                 | 2        |         |
| 38             | 93210-064A5-00  | ..O-RING                 | 3        |         |
| 39             | 6T4-43802-02-00 | ..VALVE SUB ASSEMBLY     | 2        |         |
| 40             | 6H1-43866-00-00 | ..O-RING                 | 1        |         |
| 41             | 6H1-43867-00-00 | ..O-RING                 | 1        |         |
| 42             | 6H1-43841-10-00 | ..PISTON, SHUTTLE        | 1        |         |
| 43             | 6H1-43856-10-00 | ..SPRING, DOWN RELIEF    | 1        |         |
| 44             | 6H1-43844-10-00 | ..PIN, VALVE SUPPORT     | 2        |         |
| 45             | 6H1-4384G-11-00 | ..SEAL, RELIEF VALVE     | 1        |         |
| 46             | 61A-4384F-00-00 | ..SEAL, MAIN VALVE       | 2        |         |
| 47             | 6H1-43817-01-00 | ..FILTER 2               | 1        |         |
| 48             | 6H1-43831-10-00 | ..CONNECTOR, SHAFT       | 1        |         |
| 49             | 6H1-43830-11-00 | ..GEAR PUMP ASSY         | 1        |         |
| 50             | 6H1-43847-00-00 | ..SEAT, MANUAL VALVE     | 2        |         |
| 51             | 6H1-43899-00-00 | ..SPRING, MANUAL RELEASE | 1        |         |
| 52             | 6H1-4382A-10-00 | ..ADAPTOR 1              | 1        |         |
| 53             | 6H1-43854-00-00 | ..SPRING, MANUAL RELEASE | 1        |         |

|    |                 |                              |   |  |
|----|-----------------|------------------------------|---|--|
| 54 | 93210-10M74-00  | .O-RING                      | 1 |  |
| 55 | 6H1-43845-01-00 | .SCREW, MANUAL RELEASE       | 1 |  |
| 56 | 93210-18M75-00  | .O-RING                      | 1 |  |
| 57 | 6H1-43875-00-00 | .RING, SNAP                  | 1 |  |
| 58 | 6H1-43822-10-00 | .SEAL, TRIM DUST             | 2 |  |
| 59 | 6H1-43821-11-00 | .SCREW, TRIM CYLINDER<br>END | 2 |  |
| 60 | 6H1-43861-10-00 | .O-RING                      | 2 |  |
| 61 | 6H1-4384E-20-00 | .SPRING, TRIM                | 1 |  |
| 62 | 98507-05010-00  | .SCREW, PAN HEAD             | 2 |  |
| 63 | 92990-05200-00  | .WASHER, PLAIN               | 2 |  |
| 64 | 6H1-43820-11-00 | .TRIM PISTON SUB ASSY        | 2 |  |
| 65 | 6H1-43864-00-00 | ..O-RING                     | 1 |  |
| 66 | 91317-08016-00  | ..BOLT                       | 1 |  |
| 67 | 6H1-43874-00-00 | ..RING, BACK UP              | 1 |  |
| 68 | 6H1-43816-00-00 | .FILTER 1                    | 1 |  |
| 69 | 6H1-43896-00-00 | .O-RING                      | 1 |  |
| 70 | 6H1-43895-11-00 | .SEAT, RELIEF VALVE          | 1 |  |
| 71 | 6H1-43855-11-00 | .SPRING, UP RELIEF           | 1 |  |
| 72 | 6H1-43843-11-00 | .SCREW, VALVE LOCK           | 1 |  |
| 73 | 6H1-4388E-11-00 | .PLUG, TAPER SCREW           | 1 |  |
| 74 | 6H1-43868-00-00 | .O-RING                      | 1 |  |
| 75 | 98517-04025-00  | .SCREW, PAN HEAD             | 4 |  |
| 76 | 92990-04100-00  | .WASHER, SPRING              | 4 |  |
| 77 | 6H1-4387J-00-00 | .WASHER, SPECIAL 2           | 1 |  |
| 78 | 6H1-4385H-00-00 | .SPRING, SEAL                | 1 |  |
| 79 | 93505-32038-00  | .BALL                        | 2 |  |

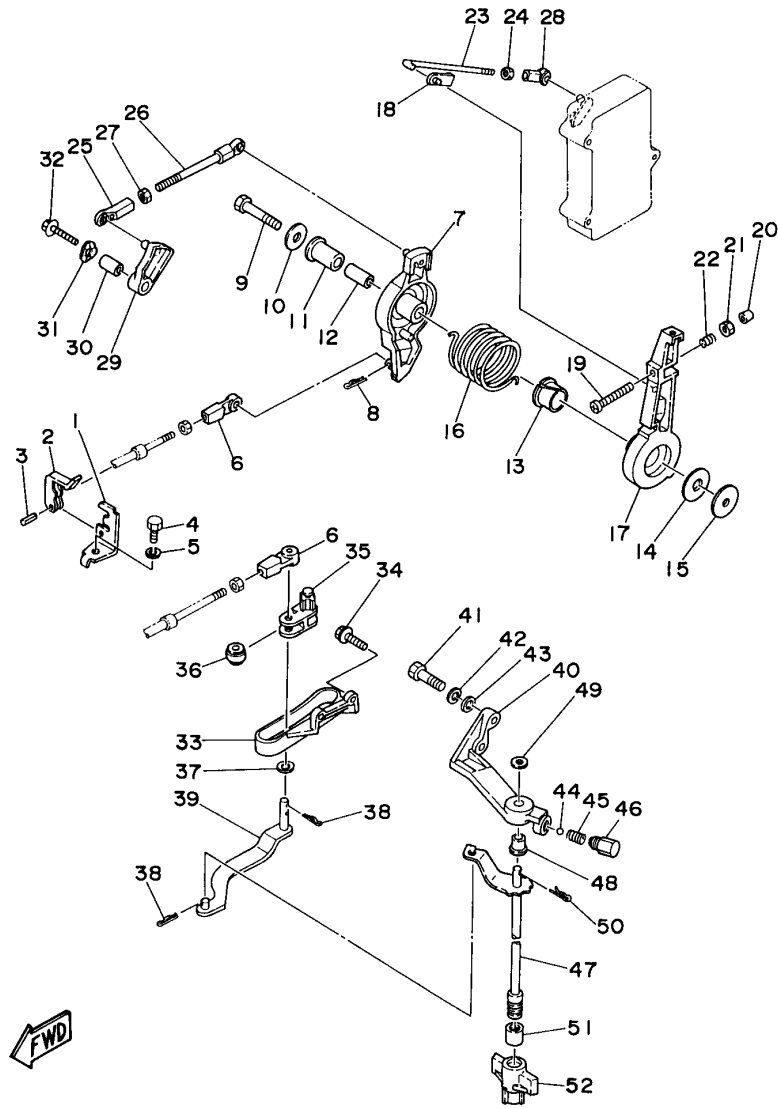
## Part Notes

C80TLRV 1997 / POWER TRIM TILT ASSEMBLY 1

| PART NUMBER     |   | NOTE TEXT  |
|-----------------|---|--|
| 6H1-43861-10-00 |  | OEM: This part number is among the Top 100 Most Popular Marine Maintenance Parts as of March 2014. |
| 6H1-43861-10-00 |  | OEM: This part number is among the Top 100 Most Popular Marine Maintenance Parts as of March 2014. |
| 6H1-43861-10-00 |  | OEM: This part number is among the Top 100 Most Popular Marine Maintenance Parts as of March 2014. |

©2014 Yamaha Motor Corporation, U.S.A. All rights reserved.

C80TLRV 1997 / CONTROL



©2014 Yamaha Motor Corporation, U.S.A. All rights reserved.







## Part List

C80TLRV 1997 / CONTROL

| REF<br>-<br>NO | PART<br>NUMBER  | PART NAME                  | QUANTITY | REMARKS |
|----------------|-----------------|----------------------------|----------|---------|
| 1              | 663-48531-00-00 | BRACKET, REMOTE CONTROL    | 1        |         |
| 2              | 663-48538-00-00 | CLAMP, CABLE 1             | 1        |         |
| 3              | 91690-30012-00  | .PIN, SPRING               | 1        |         |
| 4              | 97095-08016-00  | BOLT                       | 1        |         |
| 5              | 92990-08100-00  | WASHER, SPRING             | 1        |         |
| 6              | 663-48344-00-00 | .CABLE END, REMOTE CONTROL | 2        |         |
| 7              | 688-41632-01-94 | LEVER, MAGNETO CONTROL     | 1        |         |
| 8              | 90468-18008-00  | CLIP                       | 1        |         |
| 9              | 97095-08045-00  | .BOLT                      | 1        |         |
| 10             | 90201-08M54-00  | WASHER, PLATE              | 1        |         |
| 11             | 90386-12089-00  | BUSH                       | 1        |         |
| 12             | 90387-08M16-00  | COLLAR                     | 1        |         |
| 13             | 90386-22M13-00  | BUSH                       | 1        |         |
| 14             | 90202-12092-00  | WASHER, PLATE              | 1        |         |
| 15             | 90201-08M13-00  | WASHER, PLATE              | 1        |         |
| 16             | 90508-29M05-00  | SPRING, TORSION            | 1        |         |
| 17             | 688-41631-01-94 | LEVER, MAGNETO CONTROL     | 1        |         |
| 18             | 6F5-41237-00-00 | JOINT, LINK                | 1        |         |
| 19             | 90157-06M11-00  | SCREW, PAN HEAD            | 1        |         |
| 20             | 688-44194-00-00 | CAP                        | 1        |         |
| 21             | 95380-06600-00  | NUT, HEXAGON               | 1        |         |
| 22             | 90501-16M12-00  | SPRING, COMPRESSION        | 1        |         |
| 23             | 6H1-41636-00-00 | ROD, MAGNETO CONTROL       | 1        |         |
| 24             | 95380-05600-00  | NUT                        | 1        |         |
| 25             | 6H1-41237-00-00 | JOINT, LINK                | 1        |         |
| 26             | 688-41211-01-00 | LINK, ACCEL.               | 1        |         |
| 27             | 95380-05600-00  | NUT                        | 1        |         |
| 28             | 682-41237-00-00 | JOINT, LINK                | 1        |         |
| 29             | 6H1-41213-00-00 | CAM, ACCEL.                | 1        |         |
| 30             | 90387-06M17-00  | COLLAR                     | 1        |         |
| 31             | 90206-10M04-00  | WASHER, WAVE               | 1        |         |
| 32             | 90119-06M24-00  | BOLT, WITH WASHER          | 1        |         |
| 33             | 688-44117-00-94 | BRACKET                    | 1        |         |
| 34             | 97595-06520-00  | BOLT, WITH WASHER          | 2        |         |
| 35             | 688-44124-00-00 | LINK, SHIFT ROD            | 1        |         |
| 36             | 688-44122-00-00 | BUSHING, SHIFT ROD LEVER   | 1        |         |
| 37             | 90202-07M07-00  | WASHER, PLATE              | 1        |         |
| 38             | 90468-18008-00  | CLIP                       | 3        |         |
| 39             | 688-44121-02-00 | LEVER, SHIFT ROD           | 1        |         |
| 40             | 688-44118-00-94 | BRACKET                    | 1        |         |
| 41             | 97013-08030-00  | BOLT                       | 2        |         |
| 42             | 92990-08100-00  | WASHER, SPRING             | 2        |         |
| 43             | 92990-08600-00  | ..WASHER, PLATE            | 2        |         |
| 44             | 93501-04M02-00  | BALL                       | 1        |         |
| 45             | 90501-12082-00  | SPRING, COMPRESSION        | 1        |         |
| 46             | 648-42715-00-00 | BUSHING                    | 1        |         |
| 47             | 688-44120-12-00 | HANDLE GEAR SHIFT ASSY     | 1        |         |
| 48             | 90386-08006-00  | BUSH                       | 1        |         |
| 49             | 92990-08200-00  | WASHER, PLAIN              | 1        |         |
| 50             | 90468-18008-00  | CLIP                       | 1        |         |
| 51             | 696-44147-00-00 | BOOT, SHIFT ROD            | 1        |         |
| 52             | 697-43662-00-00 | GUIDE, REVERSE ROD         | 1        |         |

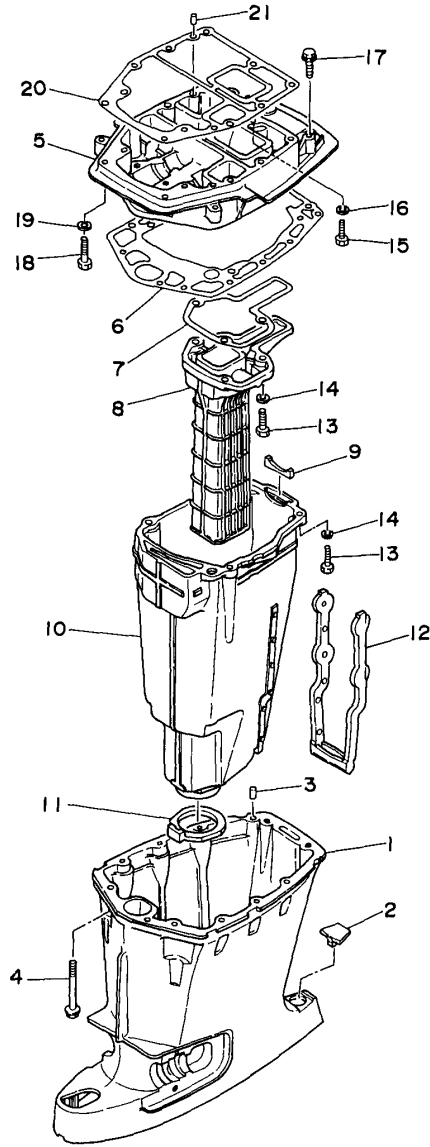
## Part Notes

C80TLRV 1997 / CONTROL

| PART NUMBER     |   | NOTE TEXT  |
|-----------------|---|--|
| 90468-18008-00  |  | OEM: This part number is among the Top 100 Most Popular Marine Maintenance Parts as of March 2014. |
| 6H1-41237-00-00 |  | OEM: This part number is among the Top 100 Most Popular Marine Maintenance Parts as of March 2014. |
| 90468-18008-00  |  | OEM: This part number is among the Top 100 Most Popular Marine Maintenance Parts as of March 2014. |
| 90468-18008-00  |  | OEM: This part number is among the Top 100 Most Popular Marine Maintenance Parts as of March 2014. |

©2014 Yamaha Motor Corporation, U.S.A. All rights reserved.

C80TLRV 1997 / UPPER CASING



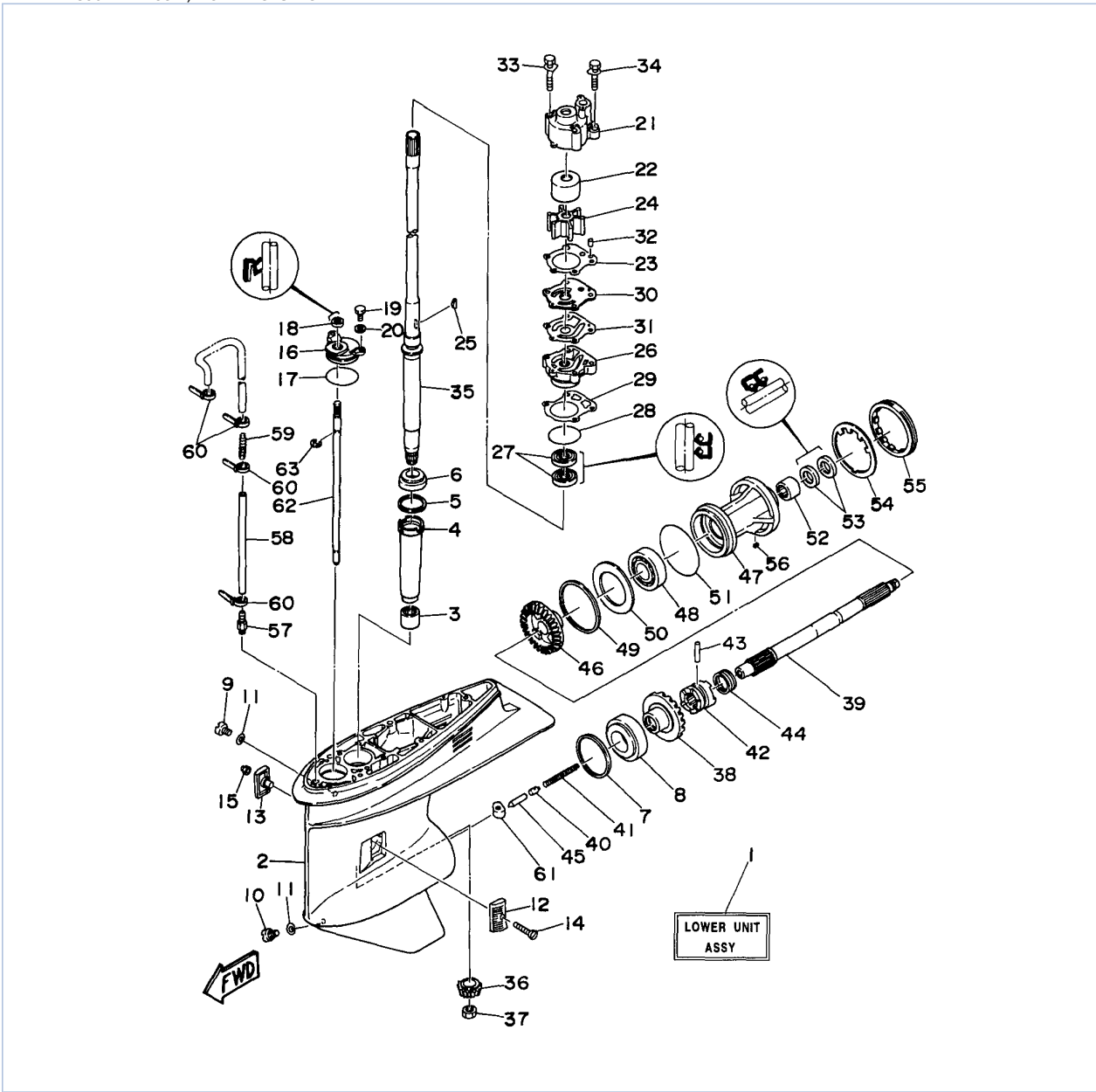
©2014 Yamaha Motor Corporation, U.S.A. All rights reserved.

## Part List

C80TLRV 1997 / UPPER CASING

| REF<br>-<br>NO | PART<br>NUMBER  | PART NAME                     | QUANTITY | REMARKS |
|----------------|-----------------|-------------------------------|----------|---------|
| 1              | 688-45111-04-4D | CASING, UPPER                 | 1        |         |
| 2              | 663-45155-10-00 | CAP                           | 1        |         |
| 3              | 93606-12019-00  | .PIN, DOWEL                   | 2        |         |
| 4              | 90119-08M80-00  | BOLT, WITH WASHER             | 8        |         |
| 5              | 688-41137-03-94 | GUIDE, EXHAUST                | 1        |         |
| 6              | 688-45114-A1-00 | GASKET, UPPER CASING          | 1        |         |
| 7              | 688-41134-A0-00 | GASKET, EXHAUST<br>MANIFOLD   | 1        |         |
| 8              | 688-41131-00-5B | MANIFOLD, EXT. 1              | 1        |         |
| 9              | 688-41133-00-00 | GASKET, EXHAUST<br>MANIFOLD 1 | 1        |         |
| 10             | 688-14711-01-5B | MUFFLER 1                     | 1        |         |
| 11             | 688-45123-00-00 | GASKET, MUFFLER               | 1        |         |
| 12             | 663-14737-10-00 | DAMPER, MUFFLER               | 1        |         |
| 13             | 97095-08030-00  | BOLT                          | 7        |         |
| 14             | 92990-08100-00  | WASHER, SPRING                | 7        |         |
| 15             | 97095-08025-00  | BOLT                          | 1        |         |
| 16             | 92990-08100-00  | WASHER, SPRING                | 1        |         |
| 17             | 90119-08M79-00  | BOLT, WITH WASHER             | 2        |         |
| 18             | 97095-08035-00  | BOLT                          | 2        |         |
| 19             | 92990-08100-00  | WASHER, SPRING                | 2        |         |
| 20             | 688-45113-A0-00 | GASKET, UPPER CASING          | 1        |         |
| 21             | 93606-12019-00  | .PIN, DOWEL                   | 2        |         |

C80TLRV 1997 / LOWER CASING DRIVE 1



©2014 Yamaha Motor Corporation, U.S.A. All rights reserved.

## Part List







C80TLRV 1997 / LOWER CASING DRIVE 1

| REF<br>-<br>NO | PART<br>NUMBER  | PART NAME               | QUANTITY | REMARKS |
|----------------|-----------------|-------------------------|----------|---------|
| 1              | 6H1-45300-A3-4D | LOWER UNIT ASSY         | 1        |         |
| 2              | 6H1-45301-12-4D | CASING, LOWER           | 1        |         |
| 3              | 93315-325V1-00  | BEARING                 | 1        |         |
| 4              | 688-45536-01-00 | SLEEVE, DRIVE SHAFT     | 1        |         |
| 5              | 688-45587-01-15 | SHIM (T:0.15MM)         | 1        | UR      |
| 5              | 688-45587-01-10 | SHIM (T:0.10MM)         | 1        | UR      |
| 5              | 688-45587-01-50 | SHIM (T:0.50MM)         | 1        | UR      |
| 5              | 688-45587-01-30 | SHIM (T:0.30MM)         | 1        | UR      |
| 5              | 688-45587-01-12 | SHIM (T:0.12MM)         | 1        | UR      |
| 5              | 688-45587-01-18 | SHIM (T:0.18MM)         | 1        | UR      |
| 5              | 688-45587-01-40 | SHIM (T:0.40MM)         | 1        | UR      |
| 6              | 93332-000U3-00  | BEARING                 | 1        |         |
| 7              | 688-45567-01-30 | SHIM (T:0.30MM)         | 1        | UR      |
| 7              | 688-45567-01-50 | SHIM (T:0.50MM)         | 1        | UR      |
| 7              | 688-45567-01-12 | SHIM (T:0.12MM)         | 1        | UR      |
| 7              | 688-45567-01-10 | SHIM (T:0.10MM)         | 1        | UR      |
| 7              | 688-45567-01-15 | SHIM (T:0.15MM)         | 1        | UR      |
| 7              | 688-45567-01-18 | SHIM (T:0.18MM)         | 1        | UR      |
| 7              | 688-45567-01-40 | SHIM (T:0.40MM)         | 1        | UR      |
| 8              | 93332-000W7-00  | BEARING                 | 1        |         |
| 9              | 90340-08M04-00  | PLUG, STRAIGHT SCREW    | 1        |         |
| 10             | 688-45341-00-00 | PLUG, DRAIN             | 1        |         |
| 11             | 90430-08020-00  | .GASKET                 | 2        |         |
| 12             | 6H1-45214-00-00 | COVER, WATER INLET 1    | 1        |         |
| 13             | 6H1-45215-00-00 | COVER, WATER INLET 2    | 1        |         |
| 14             | 90151-05M00-00  | SCREW, COUNTERSUNK      | 1        |         |
| 15             | 90185-05904-00  | NUT, SELF-LOCKING       | 1        |         |
| 16             | 688-45321-00-00 | PLATE                   | 1        |         |
| 17             | 93210-49046-00  | .O-RING                 | 1        |         |
| 18             | 93106-09014-00  | .OIL SEAL               | 1        |         |
| 19             | 97095-06016-00  | BOLT                    | 2        |         |
| 20             | 92990-06600-00  | .WASHER, PLATE          | 2        |         |
| 21             | 688-44311-01-00 | HOUSING, WATER PUMP     | 1        |         |
| 22             | 688-44322-00-00 | .INSERT, CARTRIDGE      | 1        |         |
| 23             | 688-44315-A0-00 | .GASKET, WATER PUMP     | 1        |         |
| 24             | 688-44352-03-00 | .IMPELLER               | 1        |         |
| 25             | 90280-04M04-00  | .KEY, WOODRUFF          | 1        |         |
| 26             | 688-44341-00-94 | HOUSING, WATER PUMP     | 1        |         |
| 27             | 93101-25M03-00  | .OIL SEAL               | 2        |         |
| 28             | 93210-46044-00  | O-RING                  | 1        |         |
| 29             | 688-44316-A0-00 | .GASKET, WATER PUMP     | 1        |         |
| 30             | 688-44323-00-00 | .OUTER PLATE, CARTRIDGE | 1        |         |
| 31             | 688-44324-A0-00 | .GASKET, CARTRIDGE      | 1        |         |
| 32             | 93604-10M03-00  | PIN, DOWEL              | 2        |         |
| 33             | 90119-08M16-00  | .BOLT, WITH WASHER      | 2        |         |
| 34             | 90119-08M13-00  | .BOLT, WITH WASHER      | 2        |         |
| 35             | 6H1-45501-11-00 | DRIVE SHAFT COMP.       | 1        |         |
| 36             | 688-45551-01-00 | PINION (13T)            | 1        |         |
| 37             | 90170-16M01-00  | NUT                     | 1        |         |
| 38             | 688-45560-00-00 | GEAR 1 (26T)            | 1        |         |
| 39             | 688-45611-01-00 | SHAFT, PROPELLER        | 1        |         |
| 40             | 688-45634-00-00 | SLIDE, SHIFT            | 1        |         |
| 41             | 90501-16233-00  | SPRING, COMPRESSION     | 1        |         |

|    |                 |                  |   |    |
|----|-----------------|------------------|---|----|
| 42 | 688-45631-01-00 | CLUTCH, DOG      | 1 |    |
| 43 | 90250-07M02-00  | PIN, STRAIGHT    | 1 |    |
| 44 | 688-45633-00-00 | RING, CROSS PIN  | 1 |    |
| 45 | 688-45635-00-00 | PLUNGER, SHIFT   | 1 |    |
| 46 | 688-45571-01-00 | GEAR             | 1 |    |
| 47 | 688-45331-00-94 | HOUSING, BEARING | 1 |    |
| 48 | 93306-207U0-00  | .BEARING         | 1 |    |
| 49 | 688-45577-01-15 | SHIM (T:0.15MM)  | 1 | UR |
| 49 | 688-45577-01-10 | SHIM (T:0.10MM)  | 1 | UR |
| 49 | 688-45577-01-50 | SHIM (T:0.50MM)  | 1 | UR |
| 49 | 688-45577-01-30 | SHIM (T:0.30MM)  | 1 | UR |
| 49 | 688-45577-01-12 | SHIM (T:0.12MM)  | 1 | UR |
| 49 | 688-45577-01-18 | SHIM (T:0.18MM)  | 1 | UR |
| 49 | 688-45577-01-40 | SHIM (T:0.40MM)  | 1 | UR |
| 50 | 688-45576-00-00 | WASHER, THRUST   | 1 |    |
| 51 | 93210-85M97-00  | .O-RING          | 1 |    |
| 52 | 93317-325U0-00  | BEARING          | 1 |    |
| 53 | 93101-25M03-00  | .OIL SEAL        | 2 |    |
| 54 | 688-45383-02-00 | WASHER, CLAW     | 1 |    |
| 55 | 688-45384-00-00 | NUT              | 1 |    |
| 56 | 90282-04010-00  | KEY, STRAIGHT    | 1 |    |
| 57 | 6E5-45378-00-00 | NIPPLE, HOSE     | 1 |    |
| 58 | 90445-07ME9-00  | HOSE (L120)      | 1 |    |
| 59 | 6E5-83558-10-00 | END, NIPPLE      | 1 |    |
| 60 | 90465-11M10-00  | .CLAMP           | 4 |    |
| 61 | 663-44151-00-00 | CAM, SHIFT       | 1 |    |
| 62 | 663-44144-01-00 | ROD, SHIFT       | 1 |    |
| 63 | 99001-08600-00  | CIRCLIP          | 1 |    |

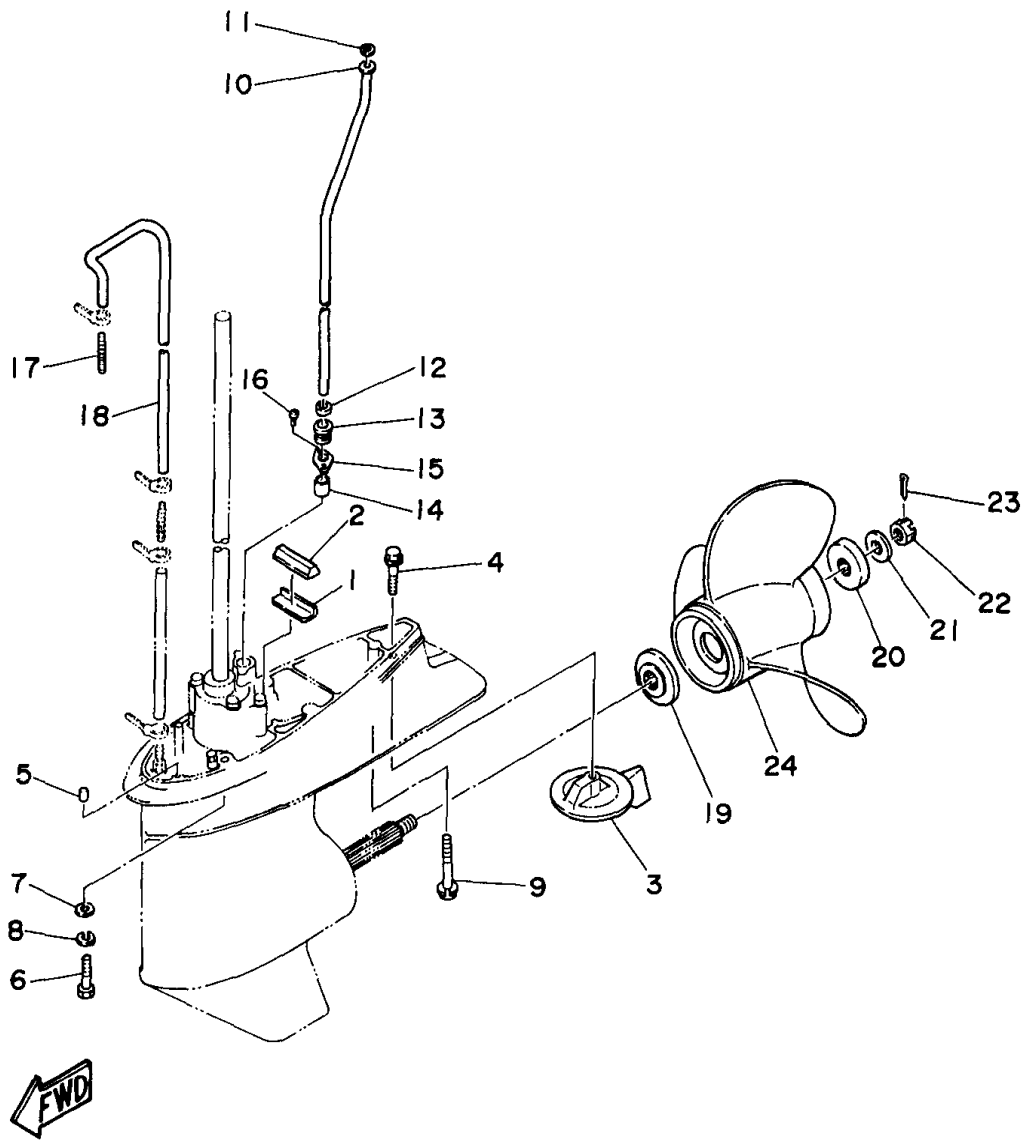
## Part Notes

C80TLRV 1997 / LOWER CASING DRIVE 1

| PART NUMBER     |   | NOTE TEXT  |
|-----------------|---|--|
| 90430-08020-00  |  | OEM: This part number is among the Top 100 Most Popular Marine Maintenance Parts as of March 2014. |
| 93106-09014-00  |  | OEM: This part number is among the Top 100 Most Popular Marine Maintenance Parts as of March 2014. |
| 92990-06600-00  |  | OEM: This part number is among the Top 100 Most Popular Marine Maintenance Parts as of March 2014. |
| 688-44352-03-00 |  | OEM: This part number is among the Top 100 Most Popular Marine Maintenance Parts as of March 2014. |
| 93101-25M03-00  |  | OEM: This part number is among the Top 100 Most Popular Marine Maintenance Parts as of March 2014. |
| 93101-25M03-00  |  | OEM: This part number is among the Top 100 Most Popular Marine Maintenance Parts as of March 2014. |

©2014 Yamaha Motor Corporation, U.S.A. All rights reserved.

C80TLRV 1997 / LOWER CASING DRIVE 2



©2014 Yamaha Motor Corporation, U.S.A. All rights reserved.






## Part List

C80TLRV 1997 / LOWER CASING DRIVE 2

| REF<br>-<br>NO | PART<br>NUMBER  | PART NAME                            | QUANTITY | REMARKS  |
|----------------|-----------------|--------------------------------------|----------|----------|
| 1              | 663-45376-00-94 | GUIDE, SEAL DAMPER                   | 1        |          |
| 2              | 688-45375-00-00 | DAMPER, SEAL                         | 1        |          |
| 3              | 688-45371-02-00 | TAB-TRIM                             | 1        |          |
| 4              | 90105-10M67-00  | BOLT, FLANGE                         | 1        |          |
| 5              | 93606-12019-00  | .PIN, DOWEL                          | 2        |          |
| 6              | 97075-10040-00  | BOLT                                 | 4        |          |
| 7              | 92990-10600-00  | WASHER, PLATE                        | 4        |          |
| 8              | 92990-10100-00  | WASHER, SPRING                       | 4        |          |
| 9              | 90119-08M84-00  | BOLT, WITH WASHER                    | 1        |          |
| 10             | 688-44361-10-00 | TUBE, WATER                          | 1        |          |
| 11             | 90202-12060-00  | WASHER, PLATE                        | 1        |          |
| 12             | 90430-12072-00  | GASKET                               | 1        |          |
| 13             | 663-44367-00-00 | DAMPER, WATER SEAL 3                 | 1        |          |
| 14             | 663-44366-00-00 | .DAMPER, WATER SEAL 2                | 1        |          |
| 15             | 90480-19M06-00  | GROMMET                              | 1        |          |
| 16             | 97780-40112-00  | SCREW, TAPPING                       | 2        |          |
| 17             | 6E5-83558-00-00 | END, NIPPLE                          | 1        |          |
| 18             | 90445-07MF1-00  | HOSE (L570)                          | 1        |          |
| 19             | 688-45987-01-00 | SPACER 1                             | 1        |          |
| 20             | 688-45997-01-00 | SPACER 2                             | 1        |          |
| 21             | 90201-17M00-00  | WASHER, PLATE                        | 1        |          |
| 22             | 90171-16011-00  | NUT, CASTLE                          | 1        |          |
| 23             | 91490-40030-00  | PIN. COTTER                          | 1        |          |
| 24             | 688-45974-02-98 | PROPELLER (3X13"X23"-K)              | 1        | UR S/S   |
| 24             | 688-45978-60-98 | PROPELLER (3X13-1/2"X16"-K)          | 1        | UR S/S   |
| 24             | 688-45930-01-98 | PROPELLER (3X13"X17"-K)              | 1        | UR S/S   |
| 24             | 688-45932-60-98 | PROPELLER (3X13-1/2"X14"-K)          | 1        | UR S/S   |
| 24             | 6E5-45952-00-EL | PROPELLER (3X13"X23"-K)              | 1        | UR ALUM. |
| 24             | 6E5-45954-00-EL | PROPELLER (3X14"X11"-K)              | 1        | UR ALUM. |
| 24             | 688-45976-01-98 | PROPELLER (3X13"X25"-K)              | 1        | UR S/S   |
| 24             | 688-45972-02-98 | PROPELLER (3X13"X21"-K)              | 1        | UR S/S   |
| 24             | 688-45970-03-98 | PROPELLER (3 X 13-1/2" X 19" -K) ( ) | 1        | UR S/S   |
| 24             | 6E5-45949-00-EL | PROPELLER (3X13-5/8"X13"-K)          | 1        | UR ALUM. |
| 24             | 6E5-45947-00-EL | PROPELLER (3X13-1/2"X15"-K)          | 1        | UR ALUM. |
| 24             | 6E5-45941-00-EL | PROPELLER (3X13"X19"-K)              | 1        | UR ALUM. |
| 24             | 6E5-45943-00-EL | PROPELLER (3X12-5/8"X21"-K)          | 1        | UR ALUM. |
| 24             | 6E5-45945-01-EL | PROPELLER (3X13-1/4"X17"-K)          | 1        | UR ALUM. |

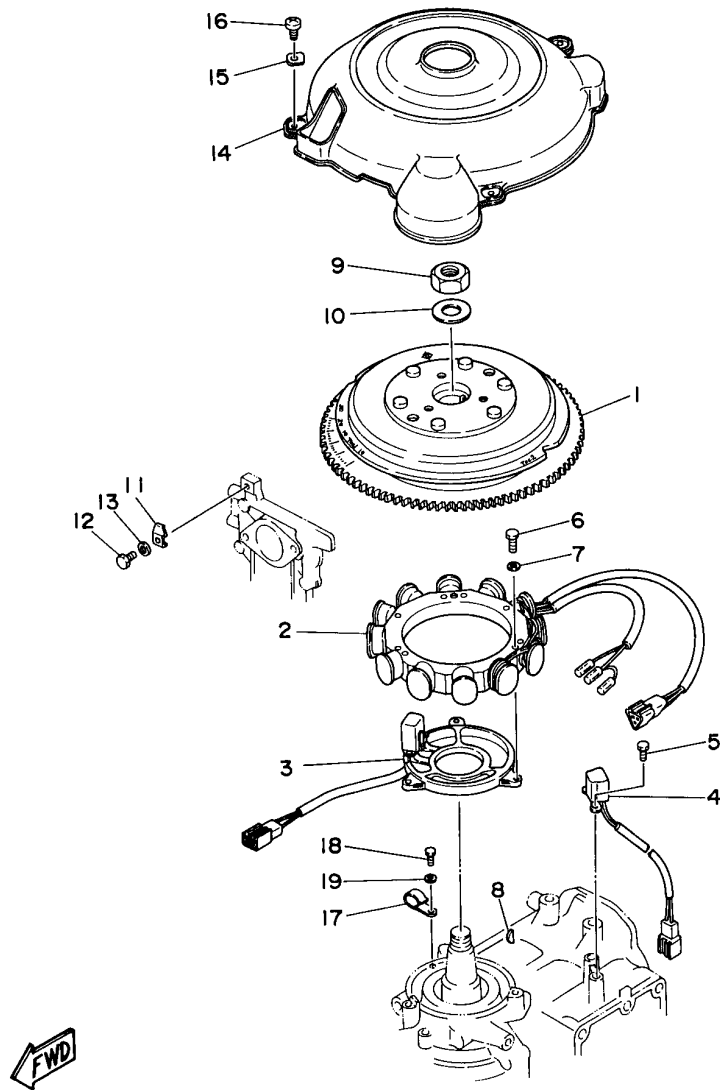
## Part Notes

C80TLRV 1997 / LOWER CASING DRIVE 2

| PART NUMBER   | NOTE TEXT  |
|---|--|
| 92990-10600-00   | OEM: This part number is among the Top 100 Most Popular Marine Maintenance Parts as of March 2014. |
| 688-45997-01-00  | OEM: This part number is among the Top 100 Most Popular Marine Maintenance Parts as of March 2014. |
| 91490-40030-00   | OEM: This part number is among the Top 100 Most Popular Marine Maintenance Parts as of March 2014. |

©2014 Yamaha Motor Corporation, U.S.A. All rights reserved.

C80TLRV 1997 / MAGNETO



©2014 Yamaha Motor Corporation, U.S.A. All rights reserved.




## Part List

C80TLRV 1997 / MAGNETO

| REF<br>-<br>NO | PART<br>NUMBER  | PART NAME             | QUANTITY | REMARKS |
|----------------|-----------------|-----------------------|----------|---------|
| 1              | 6H0-85550-00-00 | ROTOR ASSY            | 1        |         |
| 2              | 6H0-85510-01-00 | STATOR ASSEMBLY       | 1        |         |
| 3              | 6H0-85580-01-00 | COIL, PULSER          | 1        |         |
| 4              | 6H2-85895-01-00 | CRANK POSITION SENDER | 1        |         |
| 5              | 97395-05012-00  | .BOLT                 | 2        |         |
| 6              | 97095-06040-00  | .BOLT                 | 3        |         |
| 7              | 92990-06600-00  | WASHER, PLATE         | 3        |         |
| 8              | 90280-05049-00  | KEY, WOODRUFF         | 1        |         |
| 9              | 90170-20137-00  | NUT                   | 1        |         |
| 10             | 90201-21M18-00  | WASHER, PLATE         | 1        |         |
| 11             | 688-81332-01-00 | PLATE, TIMING         | 1        |         |
| 12             | 97095-06010-00  | BOLT                  | 1        |         |
| 13             | 92990-06600-00  | WASHER, PLATE         | 1        |         |
| 14             | 6H1-81337-01-00 | COVER, FLYWHEEL       | 1        |         |
| 15             | 90209-06M04-00  | WASHER                | 3        |         |
| 16             | 97885-06012-00  | SCREW, PAN HEAD       | 3        |         |
| 17             | 90465-06M28-00  | .CLAMP                | 1        |         |
| 18             | 97095-06012-00  | BOLT                  | 1        |         |
| 19             | 92990-06600-00  | WASHER, PLATE         | 1        |         |

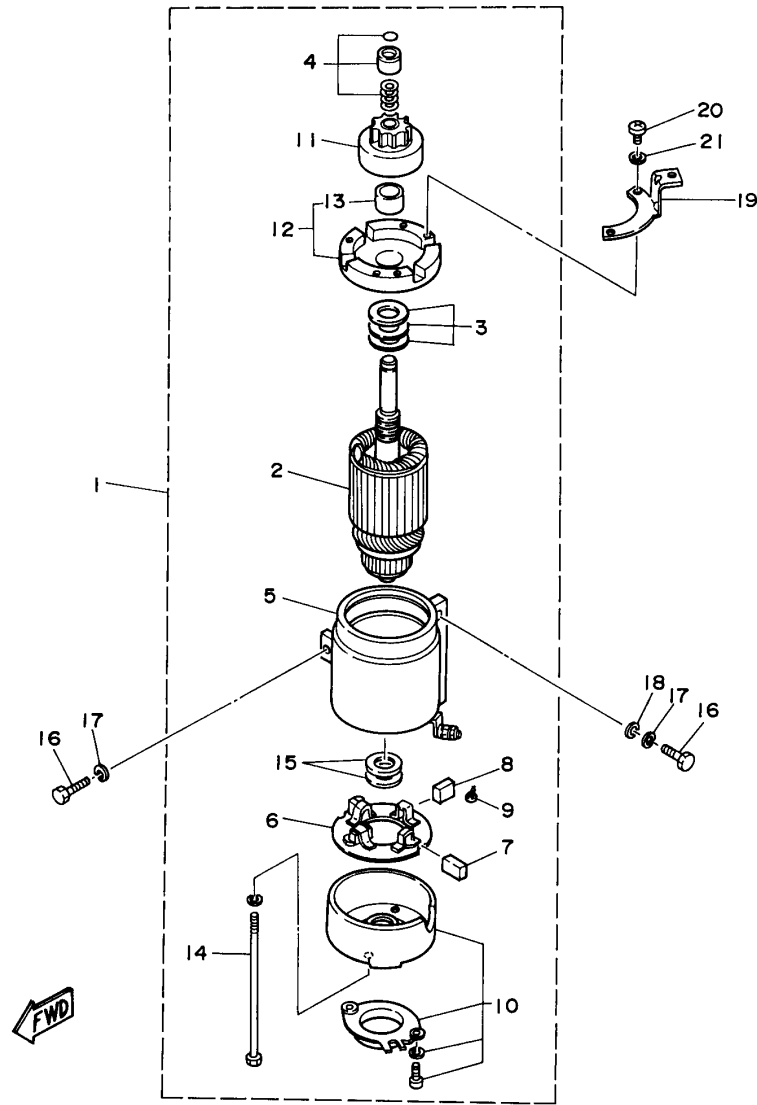
## Part Notes

C80TLRV 1997 / MAGNETO

| PART NUMBER    |   | NOTE TEXT  |
|----------------|---|--|
| 92990-06600-00 |  | OEM: This part number is among the Top 100 Most Popular Marine Maintenance Parts as of March 2014. |
| 92990-06600-00 |  | OEM: This part number is among the Top 100 Most Popular Marine Maintenance Parts as of March 2014. |
| 92990-06600-00 |  | OEM: This part number is among the Top 100 Most Popular Marine Maintenance Parts as of March 2014. |

©2014 Yamaha Motor Corporation, U.S.A. All rights reserved.

C80TLRV 1997 / STARTING MOTOR



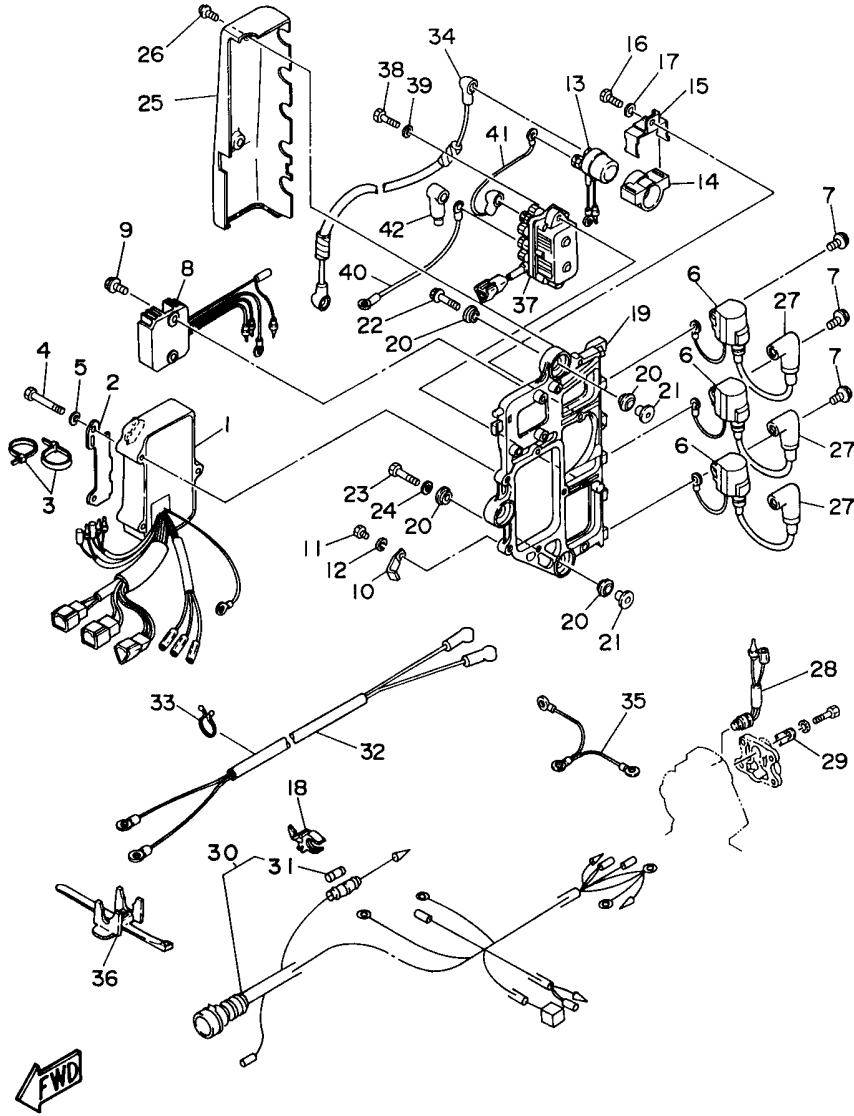
©2014 Yamaha Motor Corporation, U.S.A. All rights reserved.

## Part List

C80TLRV 1997 / STARTING MOTOR

| REF<br>-<br>NO | PART<br>NUMBER  | PART NAME           | QUANTITY | REMARKS |
|----------------|-----------------|---------------------|----------|---------|
| 1              | 688-81800-12-00 | STARTING MOTOR ASSY | 1        |         |
| 2              | 676-81850-11-00 | .ARMATURE ASSY      | 1        |         |
| 3              | 676-81809-10-00 | .WASHER KIT         | 1        |         |
| 4              | 676-81857-10-00 | .PINION STOPPER SET | 1        |         |
| 5              | 688-81810-11-00 | .STATOR ASSY        | 1        |         |
| 6              | 663-81840-11-00 | .BRUSH HOLDER ASSY  | 1        |         |
| 7              | 663-81811-11-00 | .BRUSH 1            | 2        |         |
| 8              | 663-81812-11-00 | .BRUSH 2            | 2        |         |
| 9              | 663-81813-10-00 | .SPRING, BRUSH      | 4        |         |
| 10             | 663-81820-12-00 | .REAR BRACKET ASSY  | 1        |         |
| 11             | 663-81832-11-00 | .PINION ASSY        | 1        |         |
| 12             | 688-81830-11-00 | .FRONT BRACKET ASSY | 1        |         |
| 13             | 688-81831-00-00 | ..METAL, FRONT      | 1        |         |
| 14             | 663-81826-10-00 | .BOLT               | 2        |         |
| 15             | 688-81824-00-00 | .WASHER 2           | 2        |         |
| 16             | 97013-08030-00  | BOLT                | 3        |         |
| 17             | 92990-08100-00  | WASHER, SPRING      | 3        |         |
| 18             | 92990-08600-00  | ..WASHER, PLATE     | 2        |         |
| 19             | 6H1-15771-00-00 | STAY 1              | 1        |         |
| 20             | 98580-04010-00  | .SCREW, PAN HEAD    | 3        |         |
| 21             | 92990-04600-00  | WASHER, PLATE       | 3        |         |

C80TLRV 1997 / ELECTRICAL



©2014 Yamaha Motor Corporation, U.S.A. All rights reserved.




## Part List

C80TLRV 1997 / ELECTRICAL

| REF<br>-<br>NO | PART<br>NUMBER  | PART NAME                         | QUANTITY | REMARKS |
|----------------|-----------------|-----------------------------------|----------|---------|
| 1              | 6H0-85540-04-00 | C.D.I. UNIT ASSY                  | 1        |         |
| 2              | 6H1-85542-10-00 | BRACKET                           | 1        |         |
| 3              | 90465-13M11-00  | CLAMP                             | 2        |         |
| 4              | 97095-06050-00  | BOLT                              | 3        |         |
| 5              | 92990-06600-00  | WASHER, PLATE                     | 3        |         |
| 6              | 697-85570-00-00 | IGNITION COIL ASSY                | 3        |         |
| 7              | 97595-06520-00  | BOLT, WITH WASHER                 | 3        |         |
| 8              | 6H0-81960-00-00 | RECTIFIER & REGULATOR<br>ASSEMBLY | 1        |         |
| 9              | 97595-06520-00  | BOLT, WITH WASHER                 | 2        |         |
| 10             | 90465-08M23-00  | CLAMP                             | 1        |         |
| 11             | 97095-06012-00  | BOLT                              | 1        |         |
| 12             | 92995-06100-00  | WASHER, SPRING                    | 1        |         |
| 13             | 6G1-81941-10-00 | STARTER RELAY ASSY                | 1        |         |
| 14             | 6G1-81952-00-00 | HOLDER, RELAY                     | 1        |         |
| 15             | 6E9-81945-70-00 | PLATE, SWITCH FITTING             | 1        |         |
| 16             | 97095-06016-00  | BOLT                              | 1        |         |
| 17             | 92990-06600-00  | WASHER, PLATE                     | 1        |         |
| 18             | 6G5-82152-00-00 | HOLDER, FUSE                      | 1        |         |
| 19             | 6H1-85542-00-94 | BRACKET                           | 1        |         |
| 20             | 90480-09M25-00  | GROMMET                           | 6        |         |
| 21             | 90387-06M03-00  | COLLAR                            | 3        |         |
| 22             | 90119-06M75-00  | BOLT, WITH WASHER                 | 2        |         |
| 23             | 90109-06M39-00  | BOLT                              | 1        |         |
| 24             | 90201-06M31-00  | .WASHER, PLATE                    | 1        |         |
| 25             | 6H1-81916-00-00 | COVER, TERMINAL                   | 1        |         |
| 26             | 90159-06M11-00  | SCREW, WITH WASHER                | 2        |         |
| 27             | 6E3-82370-20-00 | PLUG CAP ASSY                     | 3        |         |
| 28             | 688-82560-10-00 | THERMO SWITCH ASSY                | 1        |         |
| 29             | 688-82588-01-00 | PLATE                             | 1        |         |
| 30             | 6H0-82590-60-00 | WIRE HARNESS ASSY                 | 1        |         |
| 31             | 682-82151-00-00 | .FUSE (12V-20A)                   | 1        |         |
| 32             | 6H0-82105-J1-00 | BATTERY CABLE                     | 1        |         |
| 33             | 90464-23M22-00  | CLAMP                             | 1        |         |
| 34             | 6H0-82117-00-00 | WIRE, LEAD                        | 1        |         |
| 35             | 697-82519-00-00 | WIRE, EARTH LEAD                  | 1        |         |
| 36             | 688-82594-00-00 | CLAMP                             | 1        |         |
| 37             | 61A-81950-00-00 | RELAY ASSY                        | 1        |         |
| 38             | 97095-06025-00  | BOLT                              | 2        |         |
| 39             | 92990-06600-00  | WASHER, PLATE                     | 2        |         |
| 40             | 6H2-81949-11-00 | WIRE, LEAD                        | 1        |         |
| 41             | 6H5-81949-00-00 | WIRE, LEAD                        | 1        |         |
| 42             | 682-82119-01-00 | COVER, LEAD WIRE                  | 1        |         |

## Part Notes

C80TLRV 1997 / ELECTRICAL

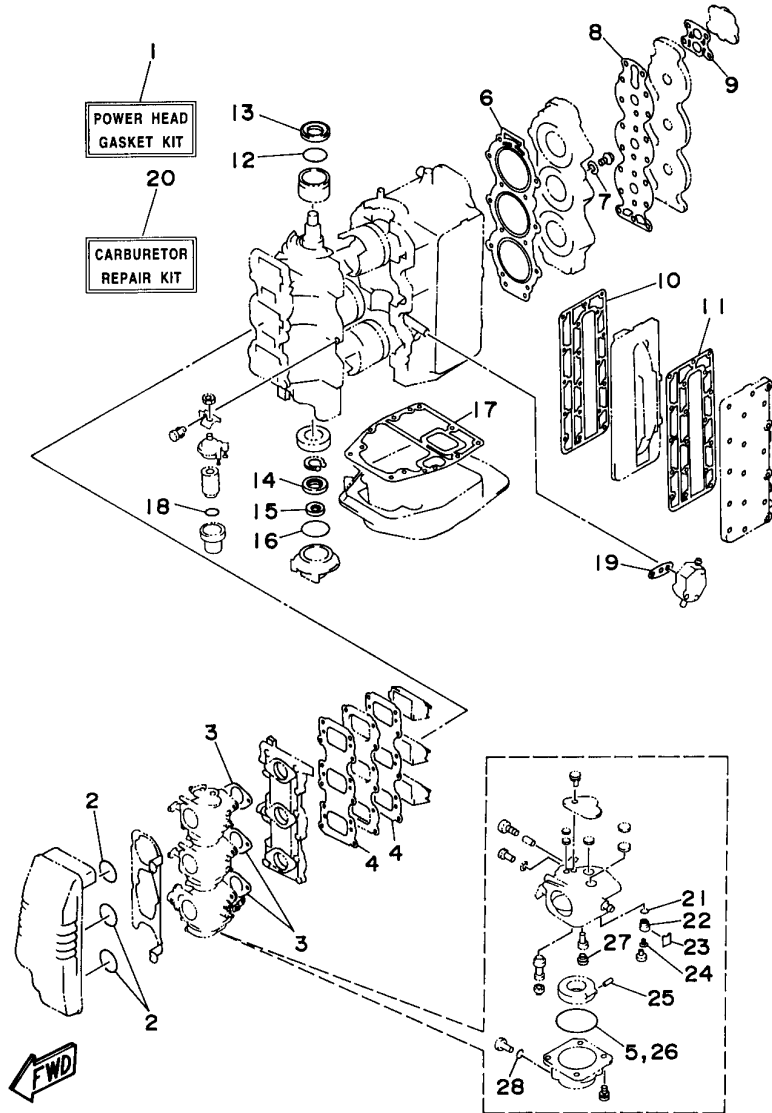
| PART NUMBER    |   | NOTE TEXT  |
|----------------|---|--|
| 92990-06600-00 |  | OEM: This part number is among the Top 100 Most Popular Marine Maintenance Parts as of March 2014. |
| 92990-06600-00 |  | OEM: This part number is among the Top 100 Most Popular Marine Maintenance Parts as of March 2014. |
| 92990-06600-00 |  | OEM: This part number is among the Top 100 Most Popular Marine Maintenance Parts as of March 2014. |

©2014 Yamaha Motor Corporation, U.S.A. All rights reserved.





C80TLRV 1997 / REPAIR KIT 1



©2014 Yamaha Motor Corporation, U.S.A. All rights reserved.



## Part List

C80TLRV 1997 / REPAIR KIT 1

| REF<br>-<br>NO | PART<br>NUMBER  | PART NAME                       | QUANTITY | REMARKS |
|----------------|-----------------|---------------------------------|----------|---------|
| 1              | 6H0-W0001-00-00 | POWER HEAD GASKET KIT           | 1        |         |
| 2              | 93210-46044-00  | .O-RING                         | 3        |         |
| 3              | 688-14198-A1-00 | .GASKET                         | 3        |         |
| 4              | 688-13621-A1-00 | .GASKET, VALVE SEAT             | 2        |         |
| 5              | 676-14984-00-00 | .GASKET, FLOAT CHAMBER          | 3        |         |
| 6              | 688-11181-A1-00 | .GASKET, CYLINDER HEAD 1        | 1        |         |
| 7              | 90430-14115-00  | .GASKET                         | 1        |         |
| 8              | 688-11193-A1-00 | .GASKET, HEAD COVER 1           | 1        |         |
| 9              | 688-12414-A1-00 | .GASKET, COVER                  | 1        |         |
| 10             | 688-41112-A0-00 | .GASKET, EXHAUST INNER<br>COVER | 1        |         |
| 11             | 688-41114-A0-00 | .GASKET, EXHAUST OUTER<br>COVER | 1        |         |
| 12             | 93210-46M16-00  | .O-RING                         | 1        |         |
| 13             | 93102-36M24-00  | .OIL SEAL                       | 1        |         |
| 14             | 93102-30M05-00  | .OIL SEAL                       | 1        |         |
| 15             | 93104-20M02-00  | .OIL SEAL                       | 1        |         |
| 16             | 93210-62269-00  | .O-RING                         | 1        |         |
| 17             | 688-45113-A0-00 | .GASKET, UPPER CASING           | 1        |         |
| 18             | 93210-32738-00  | .O-RING                         | 1        |         |
| 19             | 650-24431-A0-00 | .GASKET, FUEL PUMP 1            | 1        |         |
| 20             | 6H0-W0093-00-00 | CARBURETOR REPAIR KIT           | 1        |         |
| 21             | 93210-04228-00  | .O-RING                         | 1        |         |
| 22             | 692-14590-00-00 | .VALVE SEAT                     | 1        |         |
| 23             | 663-14159-00-00 | .CLIP                           | 1        |         |
| 24             | 676-14186-00-00 | .PIN, FLOAT                     | 1        |         |
| 25             | 688-14548-00-00 | .PIN, FLOAT ARM                 | 1        |         |
| 26             | 676-14984-00-00 | .GASKET, FLOAT CHAMBER          | 1        |         |
| 27             | 676-14966-00-00 | .CAP                            | 1        |         |
| 28             | 93210-04230-00  | .O-RING                         | 1        |         |

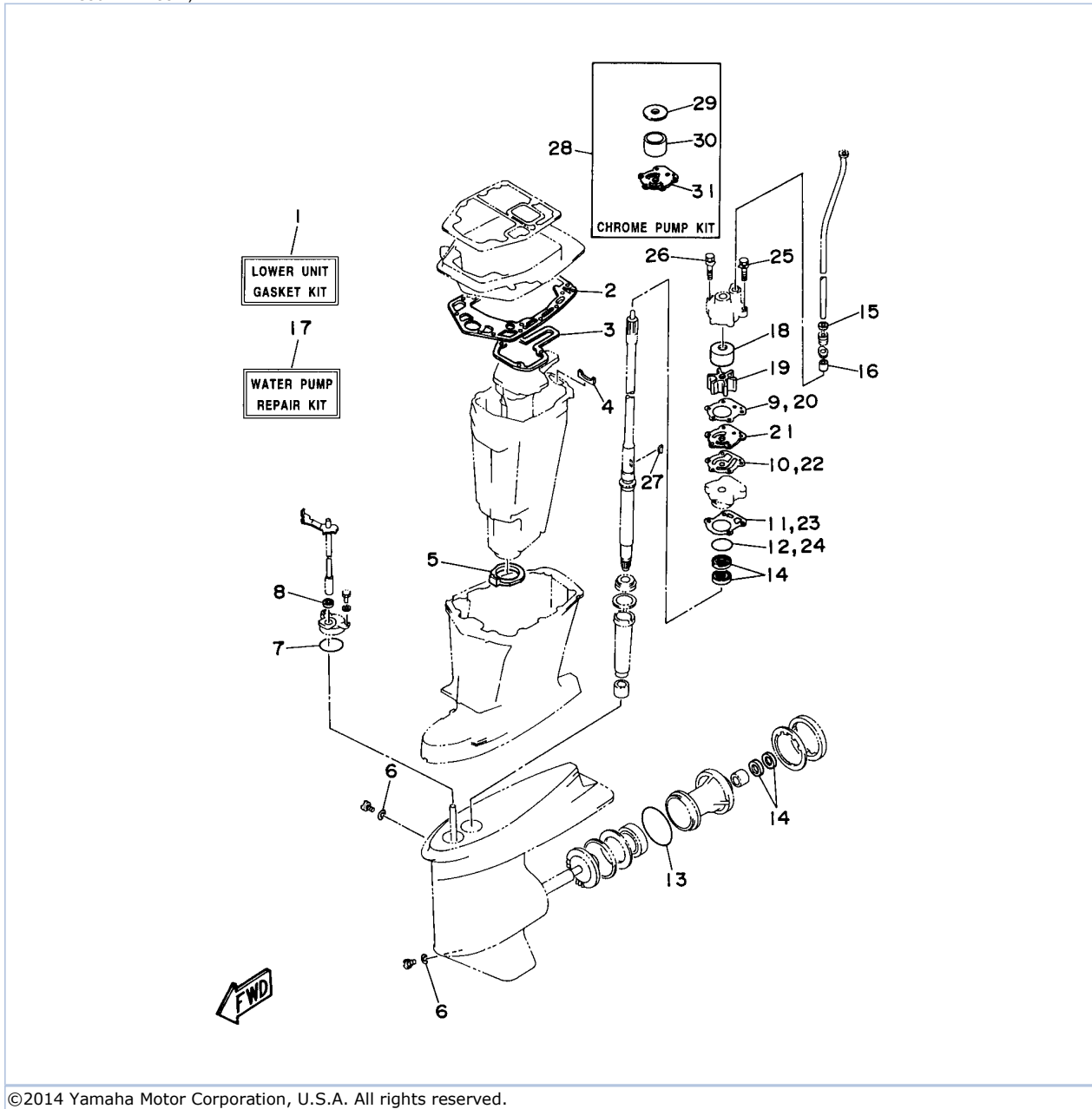
## Part Notes

C80TLRV 1997 / REPAIR KIT 1

| PART NUMBER     |   | NOTE TEXT  |
|-----------------|---|--|
| 688-12414-A1-00 |  | OEM: This part number is among the Top 100 Most Popular Marine Maintenance Parts as of March 2014. |
| 650-24431-A0-00 |  | OEM: This part number is among the Top 100 Most Popular Marine Maintenance Parts as of March 2014. |

©2014 Yamaha Motor Corporation, U.S.A. All rights reserved.

C80TLRV 1997 / REPAIR KIT 2



©2014 Yamaha Motor Corporation, U.S.A. All rights reserved.






## Part List

C80TLRV 1997 / REPAIR KIT 2

| REF<br>-<br>NO | PART<br>NUMBER  | PART NAME                      | QUANTITY | REMARKS |
|----------------|-----------------|--------------------------------|----------|---------|
| 1              | 688-W0001-21-00 | LOWER UNIT GASKET KIT          | 1        |         |
| 2              | 688-45114-A1-00 | .GASKET, UPPER CASING          | 1        |         |
| 3              | 688-41134-A0-00 | .GASKET, EXHAUST<br>MANIFOLD   | 1        |         |
| 4              | 688-41133-00-00 | .GASKET, EXHAUST<br>MANIFOLD 1 | 1        |         |
| 5              | 688-45123-00-00 | .GASKET, MUFFLER               | 1        |         |
| 6              | 90430-08020-00  | .GASKET                        | 2        |         |
| 7              | 93210-49046-00  | .O-RING                        | 1        |         |
| 8              | 93106-09014-00  | .OIL SEAL                      | 1        |         |
| 9              | 688-44315-A0-00 | .GASKET, WATER PUMP            | 1        |         |
| 10             | 688-44324-A0-00 | .GASKET, CARTRIDGE             | 1        |         |
| 11             | 688-44316-A0-00 | .GASKET, WATER PUMP            | 1        |         |
| 12             | 93210-46044-00  | .O-RING                        | 1        |         |
| 13             | 93210-85M97-00  | .O-RING                        | 1        |         |
| 14             | 93101-25M03-00  | .OIL SEAL                      | 2        |         |
| 15             | 90430-12072-00  | .GASKET                        | 1        |         |
| 16             | 663-44366-00-00 | .DAMPER, WATER SEAL 2          | 1        |         |
| 17             | 692-W0078-02-00 | WATER PUMP REPAIR KIT          | 1        |         |
| 18             | 688-44322-00-00 | .INSERT, CARTRIDGE             | 1        |         |
| 19             | 688-44352-03-00 | .IMPELLER                      | 1        |         |
| 20             | 688-44315-A0-00 | .GASKET, WATER PUMP            | 1        |         |
| 21             | 688-44323-00-00 | .OUTER PLATE, CARTRIDGE        | 1        |         |
| 22             | 688-44324-A0-00 | .GASKET, CARTRIDGE             | 1        |         |
| 23             | 688-44316-A0-00 | .GASKET, WATER PUMP            | 1        |         |
| 24             | 93210-46044-00  | .O-RING                        | 1        |         |
| 25             | 90119-08M13-00  | .BOLT, WITH WASHER             | 2        |         |
| 26             | 90119-08M16-00  | .BOLT, WITH WASHER             | 2        |         |
| 27             | 90280-04M04-00  | .KEY, WOODRUFF                 | 1        |         |
| 28             | 688-W0078-1A-00 | CHROME PUMP KIT                | 1        |         |
| 29             | 688-44321-41-00 | .INSERT, CARTRIDGE             | 1        |         |
| 30             | 688-44322-41-00 | .INSERT, CARTRIDGE             | 1        |         |
| 31             | 688-44323-40-00 | .OUTER PLATE, CARTRIDGE        | 1        |         |

## Part Notes

C80TLRV 1997 / REPAIR KIT 2

| PART NUMBER   | NOTE TEXT  |
|---|--|
| 90430-08020-00   | OEM: This part number is among the Top 100 Most Popular Marine Maintenance Parts as of March 2014. |
| 93106-09014-00   | OEM: This part number is among the Top 100 Most Popular Marine Maintenance Parts as of March 2014. |
| 93101-25M03-00   | OEM: This part number is among the Top 100 Most Popular Marine Maintenance Parts as of March 2014. |
| 692-W0078-02-00  | OEM: This part number is among the Top 100 Most Popular Marine Maintenance Parts as of March 2014. |
| 688-44352-03-00  | OEM: This part number is among the Top 100 Most Popular Marine Maintenance Parts as of March 2014. |

©2014 Yamaha Motor Corporation, U.S.A. All rights reserved.

©2014 Yamaha Motor Corporation, U.S.A. All rights reserved.