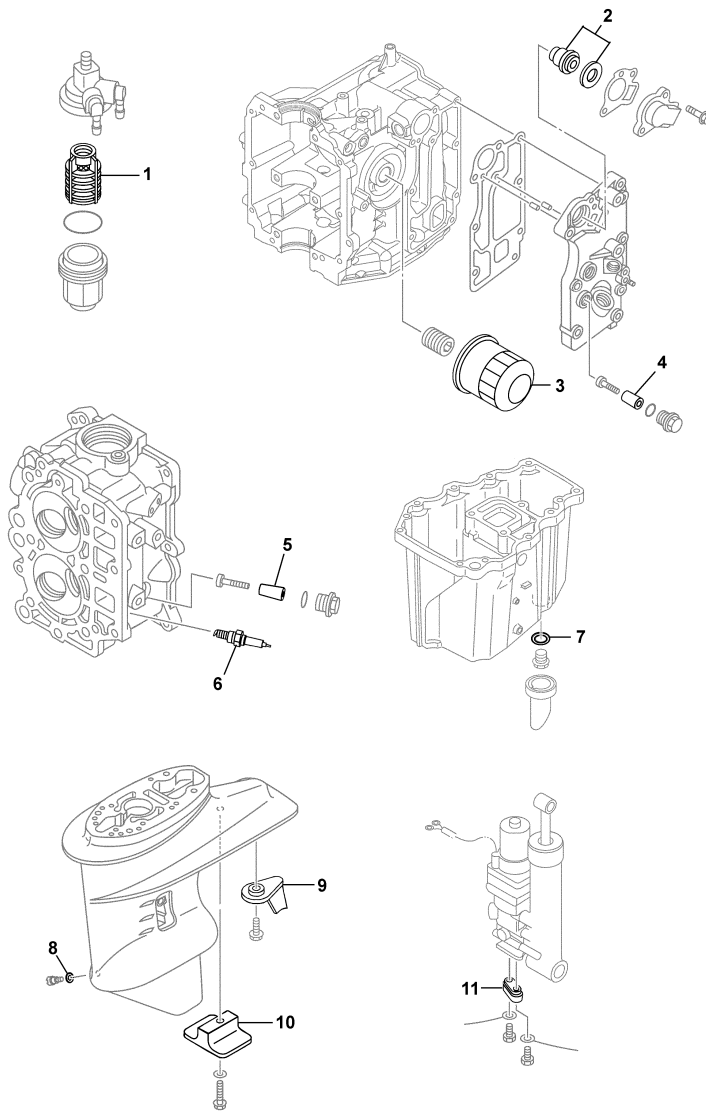


F25SEA 0410 / SCHEDULED SERVICE PARTS



©2014 Yamaha Motor Corporation, U.S.A. All rights reserved.




Part List

F25SEA 0410 / SCHEDULED SERVICE PARTS

| REF - NO | PART NUMBER | PART NAME | QUANTITY | REMARKS |
|----------|-----------------|---------------------------|----------|---------------------------------|
| 1 | 61N-24563-00-00 | ELEMENT, FILTER | 1 | FUEL 1 (REF #14) |
| 2 | 6G8-12411-03-00 | THERMOSTAT | 1 | CYLINDER CRANKCASE 1 (REF #23) |
| 3 | 5GH-13440-20-00 | ELEMENT ASSY, OIL CLEANER | 1 | CYLINDER CRANKCASE 1 (REF #37) |
| 4 | 6G8-11325-00-00 | ANODE | 1 | CYLINDER CRANKCASE 1 (REF #29) |
| 5 | 6BL-11325-00-00 | ANODE | 2 | CYLINDER CRANKCASE 2 (REF #4) |
| 6 | DPR-6EB90-00-00 | PLUG, SPARK (NGK DPR6EB) | 2 | CYLINDER CRANKCASE 2 (REF #33) |
| 7 | 90430-14M09-00 | .GASKET | 1 | OIL PAN (REF #6) |
| 8 | 90430-08020-00 | .GASKET | 1 | LOWER CASING DRIVE 1 (REF # 34) |
| 9 | 61N-45371-00-00 | TAB-TRIM | 1 | LOWER CASING DRIVE 2 (REF #7) |
| 10 | 61N-45251-01-00 | ANODE | 1 | LOWER CASING DRIVE 1 (REF #30) |
| 11 | 65W-45251-00-00 | ANODE | 1 | BRACKET 1 (REF #18) |

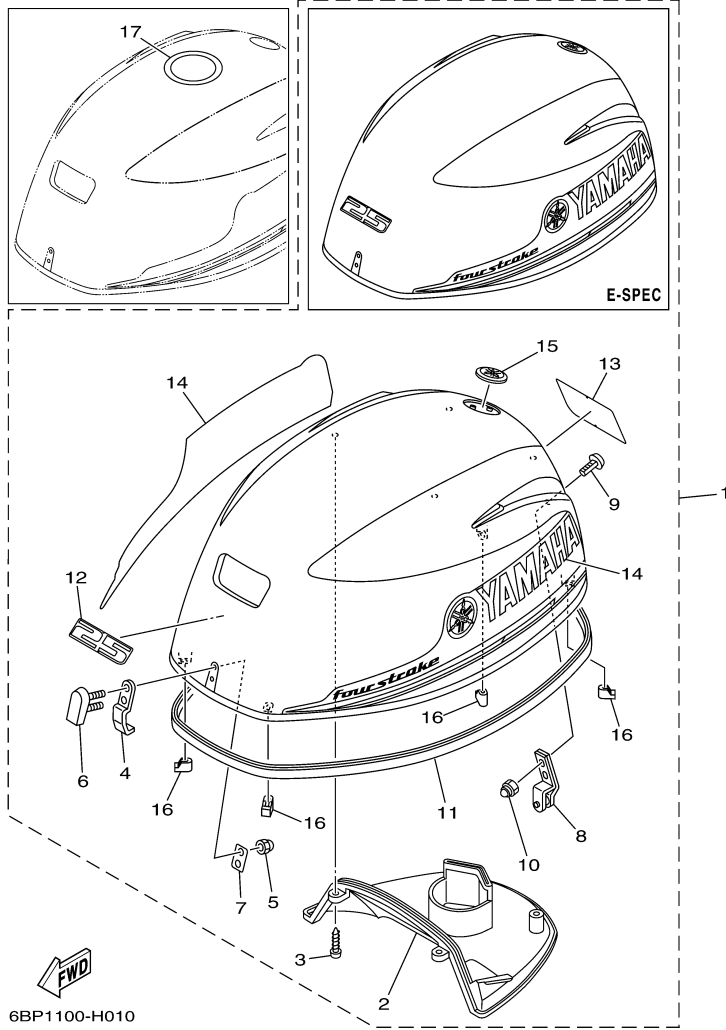
Part Notes

F25SEA 0410 / SCHEDULED SERVICE PARTS

| PART NUMBER | | NOTE TEXT |
|-----------------|---|--|
| 90430-14M09-00 |  | OEM: This part number is among the Top 100 Most Popular Marine Maintenance Parts as of March 2014. |
| 90430-08020-00 |  | OEM: This part number is among the Top 100 Most Popular Marine Maintenance Parts as of March 2014. |
| 65W-45251-00-00 |  | OEM: This part number is among the Top 100 Most Popular Marine Maintenance Parts as of March 2014. |

©2014 Yamaha Motor Corporation, U.S.A. All rights reserved.

F25SEA 0410 / TOP COWLING



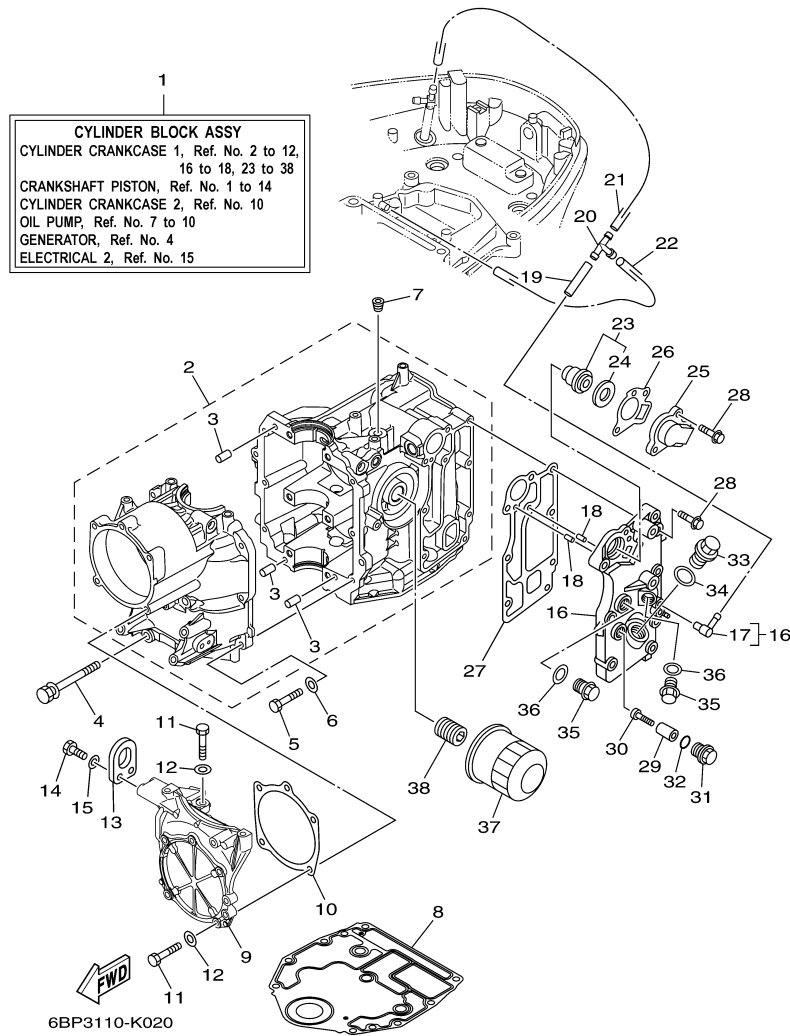
©2014 Yamaha Motor Corporation, U.S.A. All rights reserved.

Part List

F25SEA 0410 / TOP COWLING

| REF - NO | PART NUMBER | PART NAME | QUANTITY | REMARKS |
|----------------|-----------------|---------------------|----------|---------|
| 1 | 6BP-42610-10-00 | TOP COWLING ASSY | 1 | |
| 2 | 6BL-42613-00-00 | .MOLDING, AIR DUCT | 1 | |
| 3 | 97780-50616-00 | .SCREW, TAPPING | 4 | |
| 4 | 6BL-42651-00-00 | .HOOK | 1 | |
| 5 | 95380-05800-00 | .NUT | 2 | |
| 6 | 6BG-42851-00-00 | .COVER, CLAMP | 1 | |
| 7 | 6BG-42649-00-00 | .HOLDER, CLAMP BAND | 1 | |
| 8 | 6BL-42652-00-00 | .HOOK | 1 | |
| 9 | 90109-06047-00 | .BOLT | 2 | |
| 10 | 90185-06M05-00 | .NUT, SELF-LOCKING | 2 | |
| 11 | 6CJ-42615-00-00 | .SEAL | 1 | |
| 12 | 6BP-42677-00-00 | .GRAPHIC, FRONT | 1 | |
| 13 | 6BP-42678-00-00 | .GRAPHIC, REAR | 1 | |
| 14 | 6BP-W0070-00-00 | .GRAPHIC SET | 1 | |
| 15 | 6AH-42697-01-00 | .TUNING FORK MARK | 1 | |
| 16 | 6BG-42662-00-00 | .DAMPER | 4 | |
| 17 | 67F-13434-20-00 | LABEL, CAUTION | 1 | |

F25SEA 0410 / CYLINDER CRANKCASE 1



©2014 Yamaha Motor Corporation, U.S.A. All rights reserved.


Part List

F25SEA 0410 / CYLINDER CRANKCASE 1

| REF - NO | PART NUMBER | PART NAME | QUANTITY | REMARKS |
|----------|-----------------|------------------------------|----------|---------|
| 1 | 6BL-W009B-00-1S | CYLINDER BLOCK ASSY | 1 | |
| 2 | 6BL-15100-01-00 | CRANKCASE ASSY | 1 | |
| 3 | 93606-12019-00 | .PIN, DOWEL | 3 | |
| 4 | 90119-08M01-00 | BOLT, WITH WASHER | 6 | |
| 5 | 97013-06025-00 | BOLT | 7 | |
| 6 | 92903-06600-00 | WASHER, PLATE | 7 | |
| 7 | 90344-51003-00 | PLUG, TAPER SCREW | 1 | |
| 8 | 6BG-11351-00-00 | .GASKET, CYLINDER | 1 | |
| 9 | 6BL-15121-00-1S | CRANKCASE 2 | 1 | |
| 10 | 6BL-15663-00-00 | .SEAL | 1 | |
| 11 | 97013-06025-00 | BOLT | 6 | |
| 12 | 92903-06600-00 | WASHER, PLATE | 6 | |
| 13 | 62Y-11119-00-00 | HANGER, ENGINE | 1 | |
| 14 | 97095-06020-00 | BOLT | 2 | |
| 15 | 92995-06600-00 | WASHER | 2 | |
| 16 | 6BL-41113-00-1S | OUTER COVER, EXHAUST | 1 | |
| 17 | 676-11372-00-00 | .NIPPLE, HOSE | 1 | |
| 18 | 93604-10M03-00 | PIN, DOWEL | 2 | |
| 19 | 90445-09057-00 | HOSE (L43) | 1 | |
| 20 | 688-24378-00-00 | PIPE, JOINT 3 | 1 | |
| 21 | 90445-09251-00 | HOSE (L350) | 1 | |
| 22 | 90445-09104-00 | HOSE (L300) | 1 | |
| 23 | 6G8-12411-03-00 | THERMOSTAT | 1 | |
| 24 | 688-12412-00-00 | .SEAL, THERMOSTAT | 1 | |
| 25 | 6C5-12413-00-9S | COVER, THERMOSTAT | 1 | |
| 26 | 62Y-12414-00-00 | .GASKET, COVER | 1 | |
| 27 | 6BL-41114-00-00 | .GASKET, EXHAUST OUTER COVER | 1 | |
| 28 | 90119-06MA5-00 | BOLT, WITH WASHER | 8 | |
| 29 | 6G8-11325-00-00 | ANODE | 1 | |
| 30 | 97880-05025-00 | SCREW, PAN HEAD | 1 | |
| 31 | 6G8-11197-01-00 | PLUG, BLIND | 1 | |
| 32 | 93210-13M63-00 | .O-RING | 1 | |
| 33 | 90340-18M09-00 | PLUG, STRAIGHT SCREW | 1 | |
| 34 | 90430-18130-00 | .GASKET | 1 | |
| 35 | 90340-14M06-00 | PLUG, STRAIGHT SCREW | 2 | |
| 36 | 90430-14115-00 | .GASKET | 2 | |
| 37 | 5GH-13440-20-00 | ELEMENT ASSY, OIL CLEANER | 1 | |
| 38 | 6C5-12858-00-00 | BOLT, UNION | 1 | |

Part Notes

F25SEA 0410 / CYLINDER CRANKCASE 1

| PART NUMBER | NOTE TEXT |
|---|--|
| 62Y-12414-00-00  | OEM: This part number is among the Top 100 Most Popular Marine Maintenance Parts as of March 2014. |

©2014 Yamaha Motor Corporation, U.S.A. All rights reserved.

F25SEA 0410 / CRANKSHAFT PISTON



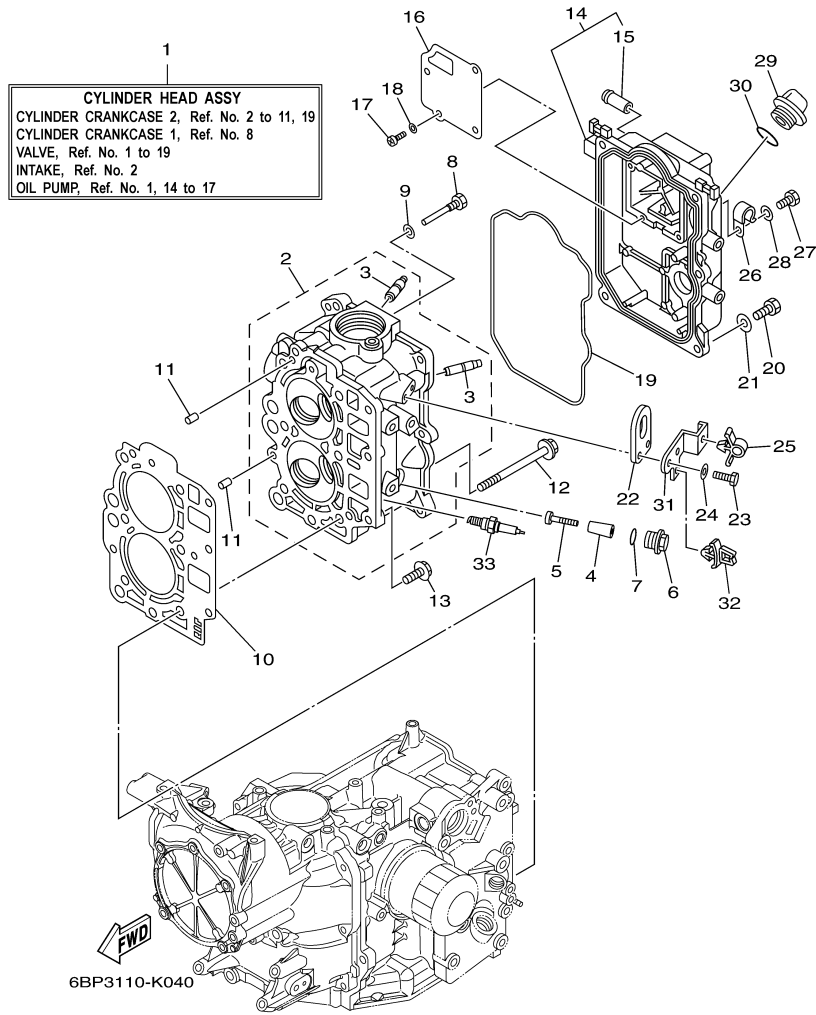
6BP1100-H030

Part List

F25SEA 0410 / CRANKSHAFT PISTON

| REF - NO | PART NUMBER | PART NAME | QUANTITY | REMARKS |
|----------------|-----------------|----------------------------------|----------|----------|
| 1 | 6BL-11411-00-00 | CRANKSHAFT | 1 | |
| 2 | 6BG-11416-10-00 | PLANE BEARING, CRANKSHAFT 1 | 6 | UR RED |
| 2 | 6BG-11416-30-00 | PLANE BEARING, CRANKSHAFT 1 | 6 | UR GREEN |
| 2 | 6BG-11416-20-00 | PLANE BEARING, CRANKSHAFT 1 | 6 | UR PINK |
| 3 | 6C5-11650-00-00 | CONNECTING ROD ASSY | 2 | |
| 4 | 6C5-11654-00-00 | .BOLT, CONNECTING ROD | 2 | |
| 5 | 6CJ-11656-20-00 | PLANE BEARING, CONNECTING ROD | 4 | UR PINK |
| 5 | 6CJ-11656-10-00 | PLANE BEARING, CONNECTING ROD | 4 | UR RED |
| 5 | 6CJ-11656-30-00 | PLANE BEARING, CONNECTING ROD | 4 | UR GREEN |
| 6 | 69W-11631-01-97 | PISTON (STD) | 2 | |
| 6 | 69W-11636-01-00 | PISTON (0.50MM O/S) | 2 | AP |
| 6 | 69W-11635-01-00 | PISTON (0.25MM O/S) | 2 | AP |
| 7 | 67C-11603-00-00 | PISTON RING SET (STD) | 2 | |
| 7 | 67C-11604-00-00 | PISTON RING SET (0.25MM O/S) | 2 | AP |
| 7 | 67C-11605-00-00 | PISTON RING SET (0.50MM O/S) | 2 | AP |
| 8 | 62Y-11633-00-00 | PIN, PISTON | 2 | |
| 9 | 93450-17129-00 | CIRCLIP | 4 | |
| 10 | 6BL-11665-00-00 | CONNECTING ROD ASSY 3 | 1 | |
| 11 | 6BL-11642-00-00 | PISTON 2 (STD) | 1 | |
| 12 | 90170-20137-00 | NUT | 1 | |
| 13 | 93102-43M42-00 | .OIL SEAL | 1 | |
| 14 | 93101-35002-00 | .OIL SEAL | 1 | |

F25SEA 0410 / CYLINDER CRANKCASE 2



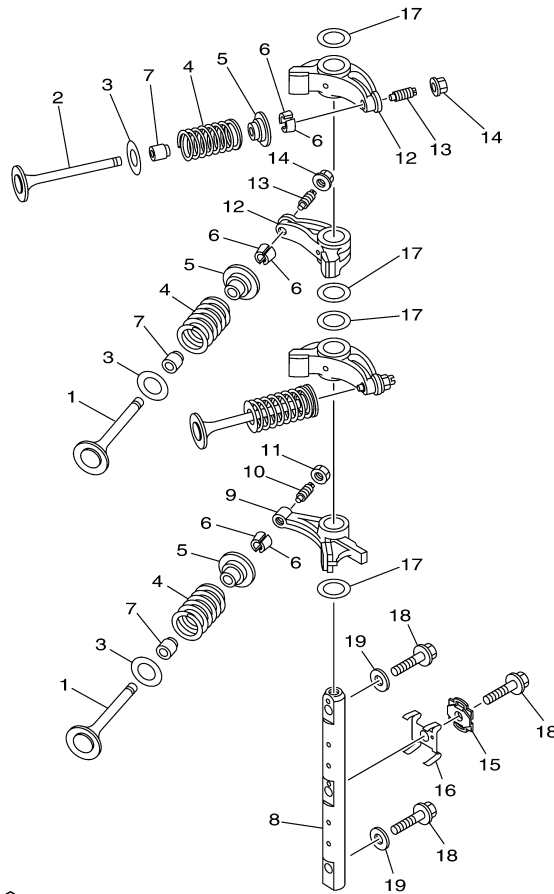
©2014 Yamaha Motor Corporation, U.S.A. All rights reserved.

Part List

F25SEA 0410 / CYLINDER CRANKCASE 2

| REF - NO | PART NUMBER | PART NAME | QUANTITY | REMARKS |
|----------------|-----------------|--------------------------|----------|---------|
| 1 | 6BL-W009A-00-1S | CYLINDER HEAD COMPLETE | 1 | |
| 2 | 6BL-11111-00-1S | HEAD, CYLINDER 1 | 1 | |
| 3 | 62Y-11133-30-00 | .GUIDE, VALVE 1 | 4 | |
| 4 | 6BL-11325-00-00 | ANODE | 2 | |
| 5 | 98980-05035-00 | SCREW, BIND | 2 | |
| 6 | 6G8-11197-01-00 | PLUG, BLIND | 2 | |
| 7 | 93210-13M63-00 | .O-RING | 2 | |
| 8 | 90109-06M65-00 | BOLT | 1 | |
| 9 | 90430-06014-00 | .GASKET | 1 | |
| 10 | 6BL-11181-00-00 | .GASKET, CYLINDER HEAD 1 | 1 | |
| 11 | 93606-12019-00 | .PIN, DOWEL | 2 | |
| 12 | 90105-09005-00 | BOLT, FLANGE | 6 | |
| 13 | 90119-06MA3-00 | BOLT, WITH WASHER | 3 | |
| 14 | 6BL-11191-00-1S | COVER, CYLINDER HEAD 1 | 1 | |
| 15 | 62Y-14485-00-00 | .PIPE, JOINT | 1 | |
| 16 | 6BG-11168-00-00 | COVER, BREATHER | 1 | |
| 17 | 98507-04010-00 | SCREW, PAN HEAD | 4 | |
| 18 | 92907-04600-00 | WASHER | 4 | |
| 19 | 6BL-11356-00-00 | .SEAL, CYLINDER 2 | 1 | |
| 20 | 97095-06020-00 | BOLT | 5 | |
| 21 | 92995-06600-00 | WASHER | 5 | |
| 22 | 62Y-11119-00-00 | HANGER, ENGINE | 1 | |
| 23 | 97095-06020-00 | BOLT | 2 | |
| 24 | 92995-06600-00 | WASHER | 2 | |
| 25 | 90464-09023-00 | CLAMP | 1 | |
| 26 | 90465-08M83-00 | CLAMP | 1 | |
| 27 | 97095-06012-00 | BOLT | 1 | |
| 28 | 92995-06600-00 | WASHER | 1 | |
| 29 | 6G8-15363-00-00 | PLUG, OIL | 1 | |
| 30 | 93210-24M79-00 | .O-RING | 1 | |
| 31 | 6BL-82398-00-00 | PLATE 3 | 1 | |
| 32 | 90464-06001-00 | CLAMP | 1 | |
| 33 | DPR-6EB90-00-00 | PLUG, SPARK (NGK DPR6EB) | 2 | |

F25SEA 0410 / VALVE



6BP1100-H050

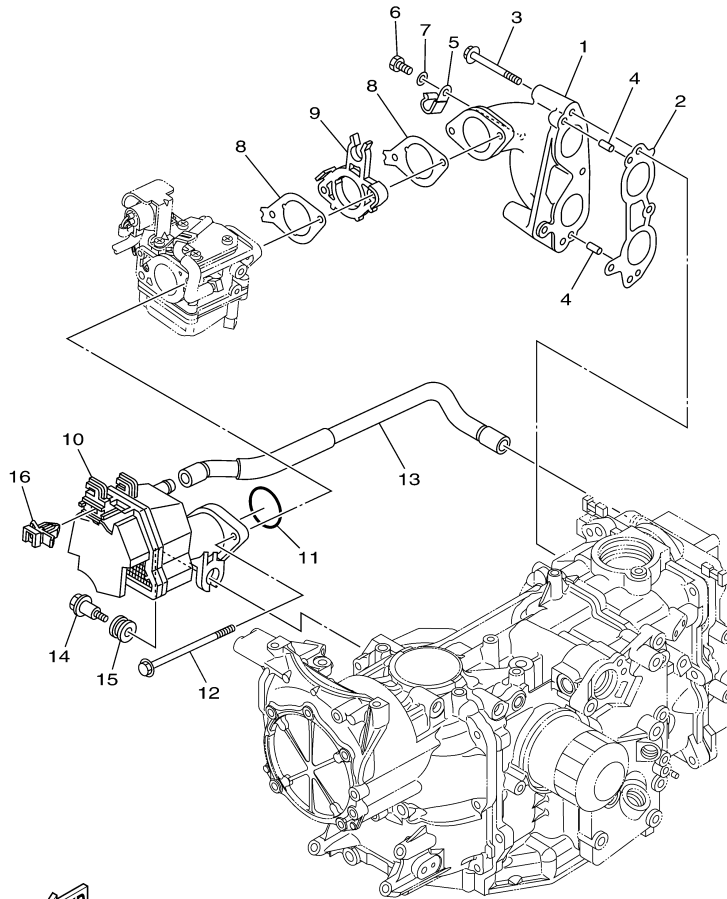
©2014 Yamaha Motor Corporation, U.S.A. All rights reserved.

Part List

F25SEA 0410 / VALVE

| REF - NO | PART NUMBER | PART NAME | QUANTITY | REMARKS |
|----------------|-----------------|--------------------------------|----------|---------|
| 1 | 69W-12111-00-00 | VALVE, INTAKE | 2 | |
| 2 | 69W-12121-00-00 | VALVE, EXHAUST | 2 | |
| 3 | 62Y-12116-00-00 | SEAT, VALVE SPRING | 4 | |
| 4 | 51Y-12114-00-00 | SPRING, VALVE OUTER | 4 | |
| 5 | 30X-12117-00-00 | RETAINER, VALVE SPRING | 4 | |
| 6 | 30X-12118-00-00 | LOCK, VALVE SPRING RETAINER | 8 | |
| 7 | 51Y-12119-00-00 | SEAL, VALVE STEM | 4 | |
| 8 | 6BL-12146-00-00 | SHAFT, ROCKER | 1 | |
| 9 | 62Y-12151-00-00 | ARM, VALVE ROCKER | 1 | |
| 10 | 64J-12159-00-00 | SCREW, VALVE ADJUSTING | 1 | |
| 11 | 62Y-12158-00-00 | NUT, LOCK | 1 | |
| 12 | 6C5-12151-00-00 | ARM, VALVE ROCKER | 3 | |
| 13 | 6C5-12159-00-00 | SCREW, VALVE ADJUSTING | 3 | |
| 14 | 6C5-12158-00-00 | NUT, LOCK | 3 | |
| 15 | 6BL-12231-00-00 | GUIDE, STOPPER 1 | 1 | |
| 16 | 6BL-12233-00-00 | PLATE, GUIDE STOPPER 1 | 1 | |
| 17 | 90201-16014-00 | WASHER, PLATE | 4 | |
| 18 | 90105-08060-00 | BOLT, FLANGE | 3 | |
| 19 | 92990-08200-00 | WASHER, PLAIN | 2 | |

F25SEA 0410 / INTAKE



FWD
6BP1100-H060

©2014 Yamaha Motor Corporation, U.S.A. All rights reserved.

Part List

F25SEA 0410 / INTAKE

| REF - NO | PART NUMBER | PART NAME | QUANTITY | REMARKS |
|----------------|-----------------|-----------------------|----------|---------|
| 1 | 6BL-13641-00-94 | MANIFOLD, INTAKE 1 | 1 | |
| 2 | 6BL-13645-00-00 | .GASKET, MANIFOLD 1 | 1 | |
| 3 | 97595-06555-00 | BOLT, WITH WASHER | 4 | |
| 4 | 91690-50014-00 | PIN, SPRING | 2 | |
| 5 | 90465-08M83-00 | CLAMP | 1 | |
| 6 | 97095-06016-00 | BOLT | 1 | |
| 7 | 92995-06600-00 | WASHER | 1 | |
| 8 | 6BL-13646-00-00 | .GASKET, MANIFOLD 2 | 2 | |
| 9 | 6BL-14271-00-00 | INSULATOR | 1 | |
| 10 | 6BL-14440-00-00 | SILENCER ASSY, INTAKE | 1 | |
| 11 | 93210-39ME4-00 | .O-RING | 1 | |
| 12 | 95895-06100-00 | BOLT, FLANGE | 2 | |
| 13 | 6BL-15373-00-00 | PIPE, BREATHER | 1 | |
| 14 | 90109-06MA1-00 | BOLT | 1 | |
| 15 | 90480-16616-00 | GROMMET | 1 | |
| 16 | 90464-09M47-00 | CLAMP | 1 | |

F25SEA 0410 / CARBURETOR



©2014 Yamaha Motor Corporation, U.S.A. All rights reserved.


Part List

F25SEA 0410 / CARBURETOR

| REF - NO | PART NUMBER | PART NAME | QUANTITY | REMARKS |
|----------------|-----------------|------------------------|----------|---------|
| 1 | 6BL-14301-00-00 | CARBURETOR ASSY 1 | 1 | |
| 2 | 98580-04006-00 | .SCREW, PAN HEAD | 1 | |
| 3 | 65W-14572-00-00 | .PLATE | 1 | |
| 4 | 65W-14126-10-00 | .GASKET | 1 | |
| 5 | 97803-04010-00 | .SCREW, PAN HEAD | 4 | |
| 6 | 676-14948-05-00 | .JET (#45) | 1 | |
| 7 | 679-14966-00-00 | .RUBBER CAP | 1 | |
| 8 | 90501-10326-00 | .SPRING, COMPRESSION | 1 | |
| 9 | 63V-14523-00-00 | .SCREW, STOP | 1 | |
| 10 | 65W-14947-90-00 | .JET, NEEDLE | 1 | |
| 11 | 65W-14943-79-00 | .JET, MAIN (#108) | 1 | |
| 12 | 63V-14985-00-00 | .FLOAT | 1 | |
| 13 | 6AH-14546-00-00 | .VALVE, NEEDLE | 1 | |
| 14 | 663-14159-00-00 | .CLIP | 1 | |
| 15 | 98580-04008-00 | .SCREW, PAN HEAD | 1 | |
| 16 | 6H4-14548-00-00 | .PIN, FLOAT ARM | 1 | |
| 17 | 65W-14373-02-00 | .COVER, PLUNGER CAP | 1 | |
| 18 | 65W-1439G-00-00 | .CLIP 1 | 1 | |
| 19 | 65W-14379-00-00 | .ROD, STARTER | 1 | |
| 20 | 67C-14923-00-00 | .SCREW, PILOT | 1 | |
| 21 | 67C-14397-00-00 | .O-RING | 1 | |
| 22 | 67C-14555-00-00 | .SPRING | 1 | |
| 23 | 65W-14335-00-00 | .SPRING, PLUNGER | 1 | |
| 24 | 65W-14371-00-00 | .PLUNGER, STARTER | 1 | |
| 25 | 65W-14384-00-00 | .GASKET, FLOAT CHAMBER | 1 | |
| 26 | 65W-14980-20-00 | .BODY, FLOAT CHAMBER | 1 | |
| 27 | 65W-14398-00-00 | .GASKET | 1 | |
| 28 | 65W-14992-00-00 | .SCREW, DRAIN | 1 | |
| 29 | 97980-04114-00 | .SCREW, WITH WASHER | 4 | |
| 30 | 6BL-14380-00-00 | .PRIME STARTER ASSY | 1 | |
| 31 | 65W-14346-00-00 | .PLATE | 1 | |
| 32 | 67C-14567-00-00 | .SCREW | 1 | |
| 33 | 67F-14255-00-00 | .PLATE | 1 | |
| 34 | 65W-14807-00-00 | .HOSE COMP | 1 | |
| 35 | 6BL-14346-00-00 | .PLATE | 1 | |
| 36 | 97980-04108-00 | .SCREW, WITH WASHER | 2 | |
| 37 | 67C-1432A-10-00 | .PLUG | 1 | |

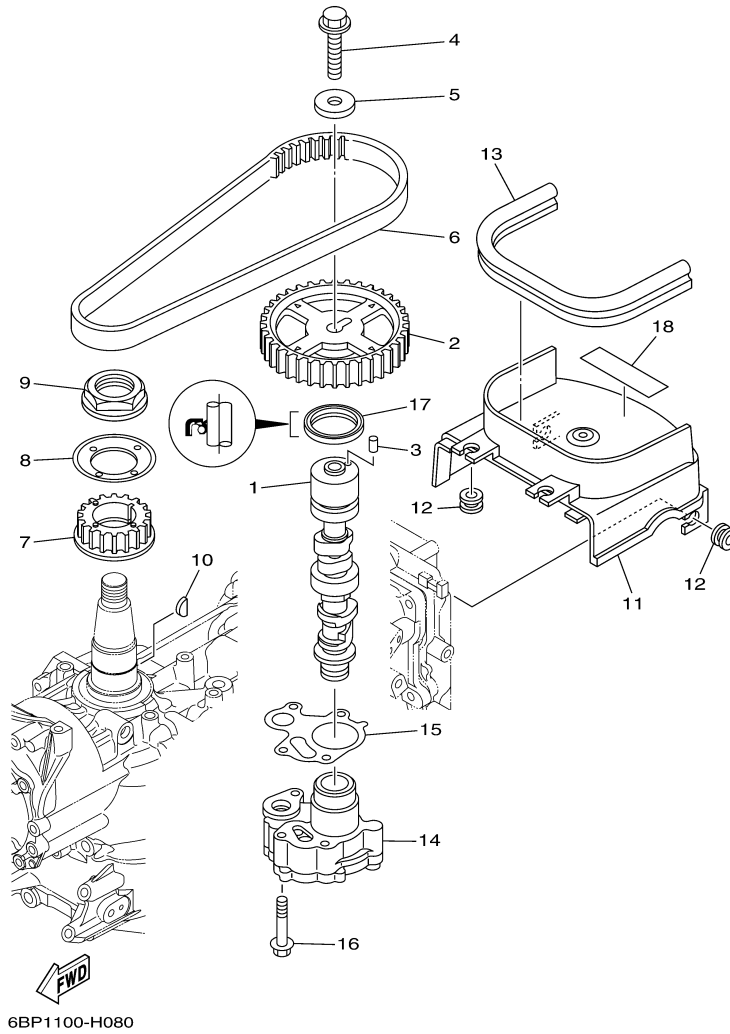
Part Notes

F25SEA 0410 / CARBURETOR

| PART NUMBER | NOTE TEXT |
|-----------------|---|
| 6BL-14380-00-00 |  OEM: The O-Ring for sealing this part to the carburetor body is not shown separately. The Part Number for the O-Ring is 93210-17001-00. |

©2014 Yamaha Motor Corporation, U.S.A. All rights reserved.

F25SEA 0410 / OIL PUMP



©2014 Yamaha Motor Corporation, U.S.A. All rights reserved.


Part List

F25SEA 0410 / OIL PUMP

| REF - NO | PART NUMBER | PART NAME | QUANTITY | REMARKS |
|----------------|-----------------|---------------------|----------|---------|
| 1 | 6BL-12171-00-00 | CAMSHAFT 1 | 1 | |
| 2 | 6C5-11537-00-00 | GEAR, DRIVEN | 1 | |
| 3 | 93605-17002-00 | PIN, DOWEL | 1 | |
| 4 | 95817-10035-00 | BOLT, FLANGE | 1 | |
| 5 | 90201-10144-00 | WASHER, PLATE | 1 | |
| 6 | 6C5-46241-00-00 | BELT | 1 | |
| 7 | 6C5-11536-00-00 | GEAR, DRIVE | 1 | |
| 8 | 62Y-11557-00-00 | WASHER 1 | 1 | |
| 9 | 90179-35001-00 | NUT | 1 | |
| 10 | 90280-03M01-00 | .KEY, WOODRUFF | 1 | |
| 11 | 6BL-46297-00-00 | COVER, DUST | 1 | |
| 12 | 90480-12314-00 | GROMMET | 4 | |
| 13 | 6BL-42617-00-00 | DAMPER, FORM | 1 | |
| 14 | 6BL-13300-00-00 | OIL PUMP ASSY | 1 | |
| 15 | 6C5-13329-00-00 | .GASKET, PUMP COVER | 1 | |
| 16 | 90119-06025-00 | BOLT, WITH WASHER | 4 | |
| 17 | 93102-37M40-00 | .OIL SEAL | 1 | |
| 18 | 6BP-13437-40-00 | MARK, CAUTION | 1 | |

Part Notes

F25SEA 0410 / OIL PUMP

| PART NUMBER | NOTE TEXT |
|---|---|
| 90480-12314-00  | OEM: GROMMET used on F115TLR and F/LF115TXR 0510 Production and Later |

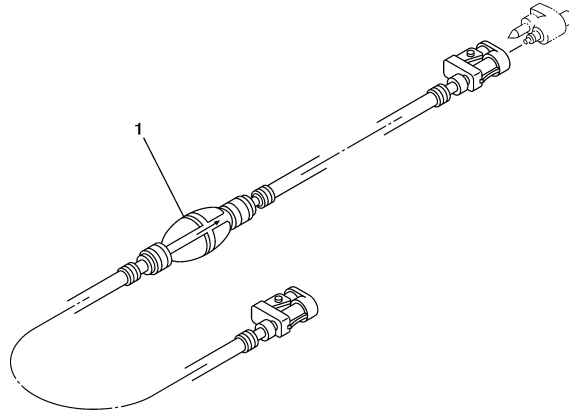
©2014 Yamaha Motor Corporation, U.S.A. All rights reserved.

Part List

F25SEA 0410 / FUEL 1

| REF - NO | PART NUMBER | PART NAME | QUANTITY | REMARKS |
|----------------|-----------------|-------------------------|----------|---------|
| 1 | 62Y-24410-04-00 | FUEL PUMP ASSY | 1 | |
| 2 | 62Y-24415-01-00 | .BODY 4 | 1 | |
| 3 | 62Y-24411-02-00 | .DIAPHRAGM | 1 | |
| 4 | 62Y-24423-00-00 | .SPRING, DIAPHRAGM | 1 | |
| 5 | 62Y-13131-01-00 | .PLUNGER | 1 | |
| 6 | 62Y-24454-00-00 | .SPRING | 1 | |
| 7 | 62Y-24444-01-00 | .SCREW | 4 | |
| 8 | 6C5-24471-00-00 | .DIAPHRAGM | 1 | |
| 9 | 95380-05600-00 | .NUT | 4 | |
| 10 | 62Y-24374-01-00 | .PIN | 1 | |
| 11 | 93210-24M79-00 | .O-RING | 1 | |
| 12 | 90109-06266-00 | BOLT | 2 | |
| 13 | 61N-24560-00-00 | FILTER ASSY | 1 | |
| 14 | 61N-24563-00-00 | .ELEMENT, FILTER | 1 | |
| 15 | 61N-24521-00-00 | .CUP, FILTER | 1 | |
| 16 | 93210-32738-00 | .O-RING | 1 | |
| 17 | 6D5-24566-00-00 | BRACKET, FILTER | 1 | |
| 18 | 95895-08016-00 | BOLT, FLANGE | 1 | |
| 19 | 95380-08600-00 | NUT | 1 | |
| 20 | 6BL-24481-00-00 | PLUG | 1 | |
| 21 | 90465-11M10-00 | CLAMP | 1 | |
| 22 | 6BL-24311-00-00 | PIPE, FUEL 1 | 1 | |
| 23 | 90445-10M20-00 | HOSE (L150) | 1 | |
| 24 | 90445-10MG7-00 | HOSE (L350) | 1 | |
| 25 | 90464-10M59-00 | CLAMP | 1 | |
| 26 | 90467-09M17-00 | CLIP | 4 | |
| 27 | 90467-10M04-00 | CLIP | 2 | |
| 28 | 90464-11009-00 | CLAMP | 1 | |
| 29 | 90446-15003-00 | HOSE (L100) | 2 | |
| 30 | 90464-13227-00 | CLAMP | 4 | |
| 31 | 6G1-24304-02-00 | FUEL PIPE JOINT COMP. 1 | 1 | |
| 32 | 97095-06025-00 | BOLT | 1 | |
| 33 | 92995-06600-00 | WASHER | 1 | |
| 34 | 61N-24329-00-00 | SEAL | 1 | |

F25SEA 0410 / FUEL 2



6BP1110-H100

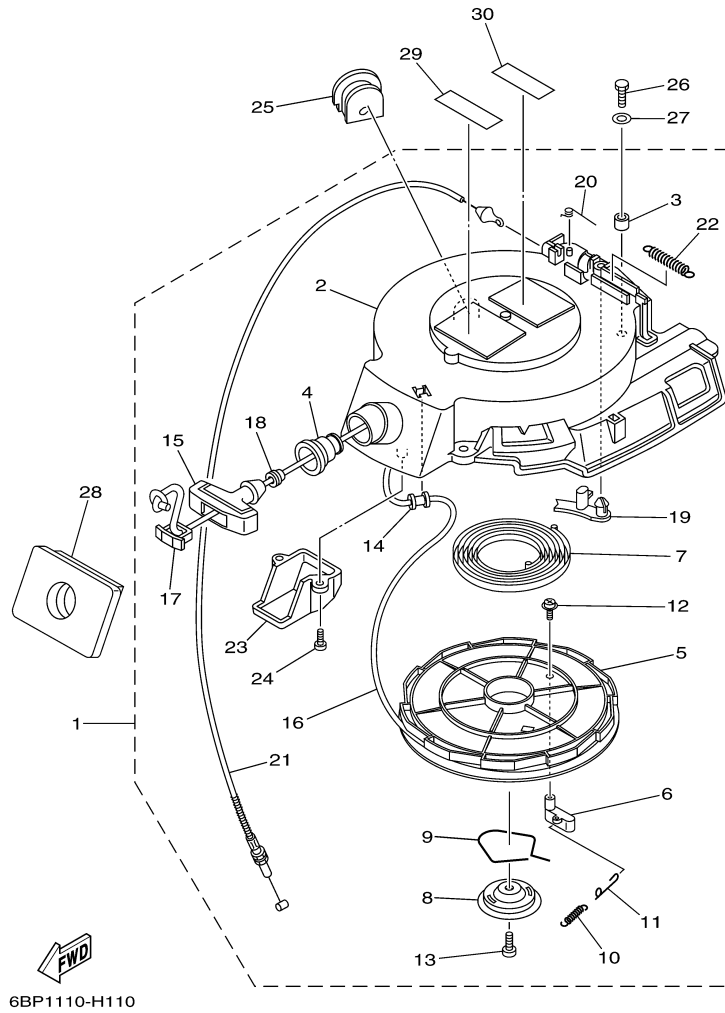
©2014 Yamaha Motor Corporation, U.S.A. All rights reserved.

Part List

F25SEA 0410 / FUEL 2

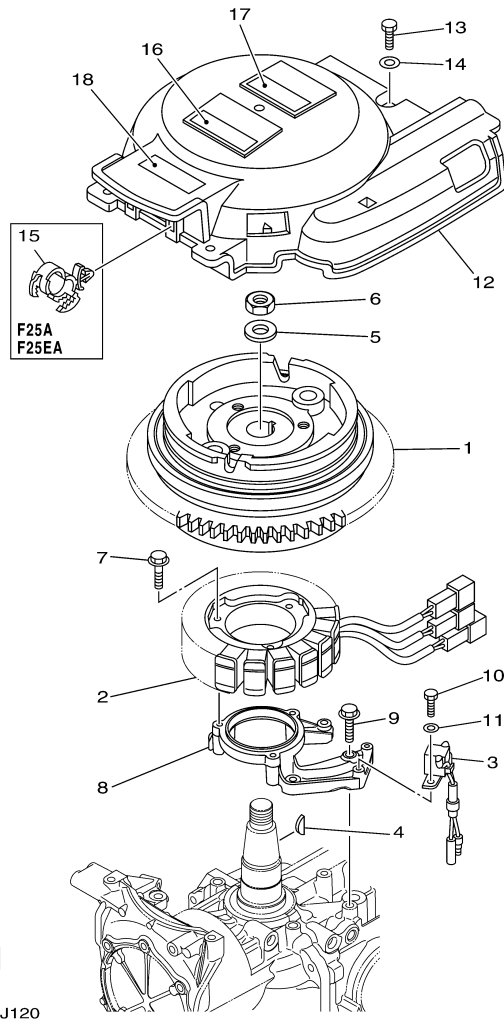
| REF - NO | PART NUMBER | PART NAME | QUANTITY | REMARKS |
|----------------|-----------------|-------------------|----------|---------|
| 1 | 6YK-24306-60-00 | FUEL PIPE COMP. 1 | 1 | AP |

F25SEA 0410 / STARTER



©2014 Yamaha Motor Corporation, U.S.A. All rights reserved.

F25SEA 0410 / GENERATOR



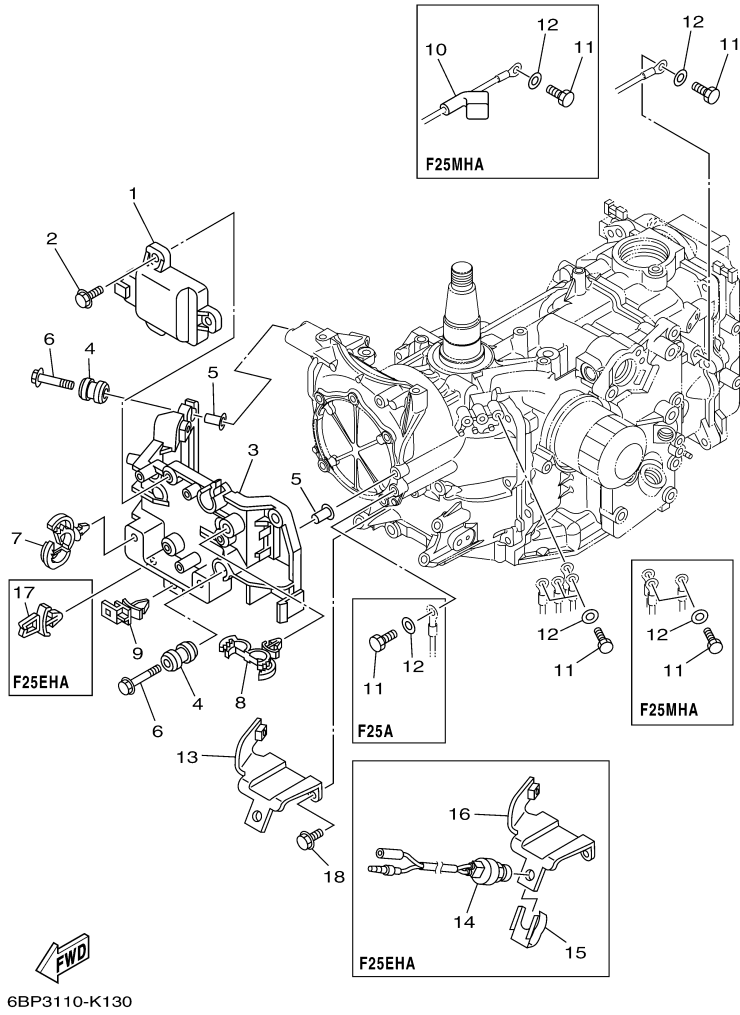
©2014 Yamaha Motor Corporation, U.S.A. All rights reserved.

Part List

F25SEA 0410 / GENERATOR

| REF - NO | PART NUMBER | PART NAME | QUANTITY | REMARKS |
|----------------|-----------------|-----------------|----------|---------|
| 1 | 6BL-85550-00-00 | ROTOR ASSY | 1 | |
| 2 | 6BL-85510-00-00 | STATOR ASSY | 1 | |
| 3 | 6AH-85580-00-00 | COIL, PULSER | 1 | |
| 4 | 6H4-11545-00-00 | KEY, WOODRUFF | 1 | |
| 5 | 90201-21M18-00 | WASHER, PLATE | 1 | |
| 6 | 90170-20137-00 | NUT | 1 | |
| 7 | 95023-06030-00 | BOLT | 3 | |
| 8 | 6BG-85561-00-94 | BASE, MAGNETO | 1 | |
| 9 | 95023-06025-00 | BOLT | 4 | |
| 10 | 97095-05016-00 | .BOLT | 2 | |
| 11 | 92995-05600-00 | WASHER | 2 | |
| 12 | 6BL-81337-00-00 | COVER, FLYWHEEL | 1 | |
| 13 | 97095-06020-00 | BOLT | 3 | |
| 14 | 92995-06600-00 | WASHER | 3 | |
| 15 | 90464-12183-00 | CLAMP | 2 | |
| 16 | 6AH-81994-40-00 | LABEL, SAFETY | 1 | |
| 17 | 6AH-81995-40-00 | LABEL, WARNING | 1 | |
| 18 | 6AG-81996-00-00 | MARK | 1 | |

F25SEA 0410 / ELECTRICAL 1



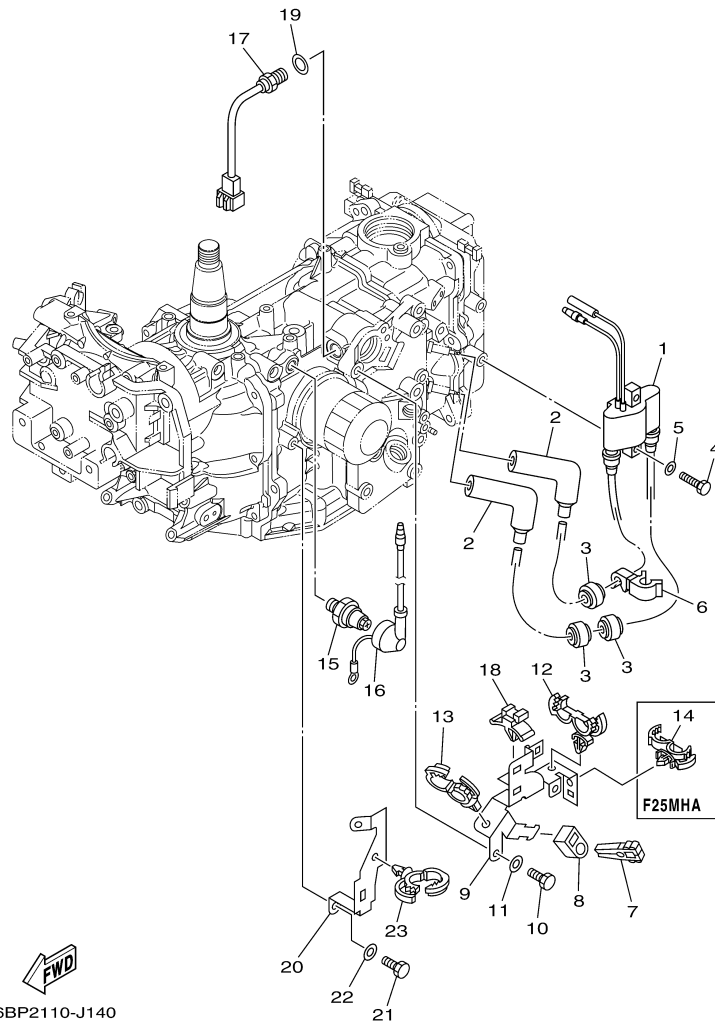
©2014 Yamaha Motor Corporation, U.S.A. All rights reserved.

Part List

F25SEA 0410 / ELECTRICAL 1

| REF - NO | PART NUMBER | PART NAME | QUANTITY | REMARKS |
|----------------|-----------------|-----------------------|----------|---------|
| 1 | 6BL-85540-00-00 | C.D.I. UNIT ASSY | 1 | |
| 2 | 97575-06520-00 | BOLT, WITH WASHER | 3 | |
| 3 | 6BL-81948-00-00 | BRACKET | 1 | |
| 4 | 6A0-82317-00-00 | DAMPER, IGNITION COIL | 4 | |
| 5 | 90387-06119-00 | COLLAR | 4 | |
| 6 | 95895-06030-00 | BOLT, FLANGE | 4 | |
| 7 | 90464-13249-00 | CLAMP | 2 | |
| 8 | 90464-18246-00 | CLAMP | 2 | |
| 9 | 90464-12002-00 | .CLAMP | 1 | |
| 11 | 97095-06016-00 | BOLT | 4 | |
| 12 | 92995-06600-00 | WASHER | 4 | |
| 13 | 6BL-82554-00-00 | STAY, NEUTRAL SWITCH | 1 | |
| 18 | 95895-06014-00 | BOLT, FLANGE | 2 | |

F25SEA 0410 / ELECTRICAL 2



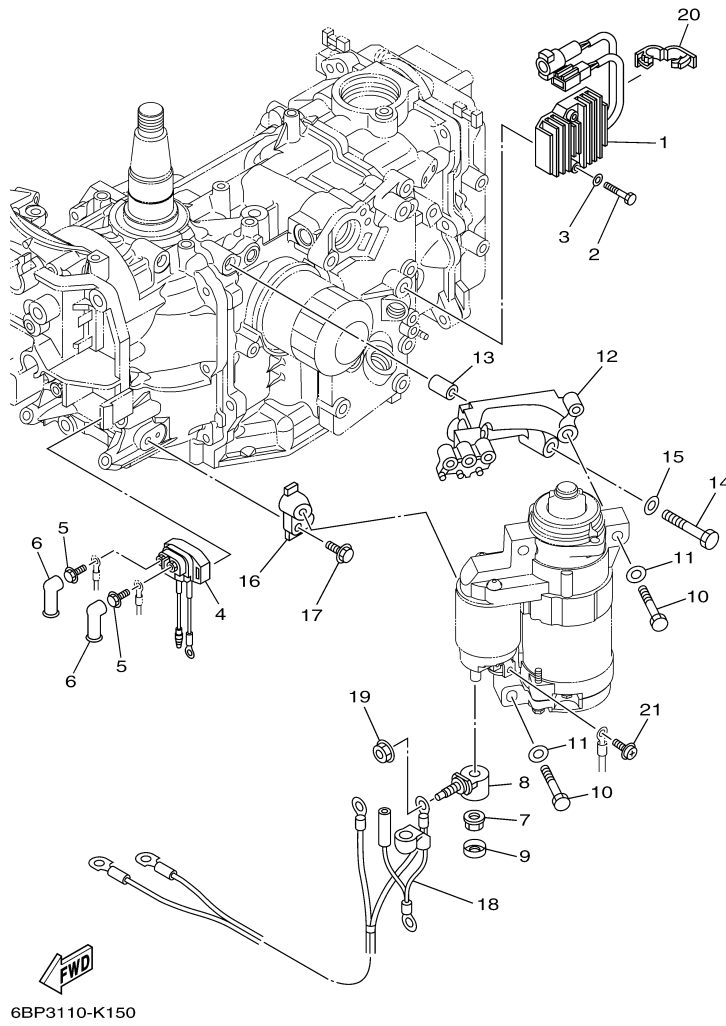
©2014 Yamaha Motor Corporation, U.S.A. All rights reserved.

Part List

F25SEA 0410 / ELECTRICAL 2

| REF - NO | PART NUMBER | PART NAME | QUANTITY | REMARKS |
|----------------|-----------------|--------------------------|----------|---------|
| 1 | 6F5-85570-13-00 | IGNITION COIL ASSY | 1 | |
| 2 | 6AH-82370-00-00 | PLUG CAP ASSY | 2 | |
| 3 | 90480-25003-00 | GROMMET | 3 | |
| 4 | 97095-06025-00 | BOLT | 2 | |
| 5 | 92995-06600-00 | WASHER | 2 | |
| 6 | 90464-09018-00 | CLAMP | 1 | |
| 7 | 67F-2812A-00-00 | .PULLER, FUSE | 1 | |
| 8 | 67C-82155-00-00 | BAND | 1 | |
| 9 | 6BL-8339X-00-00 | CLAMP, CORD | 1 | |
| 10 | 97095-06016-00 | BOLT | 2 | |
| 11 | 92995-06600-00 | WASHER | 2 | |
| 12 | 90464-18246-00 | CLAMP | 1 | |
| 13 | 90464-20181-00 | CLAMP | 1 | |
| 15 | 64J-82504-00-00 | OIL PRESSURE SWITCH ASSY | 1 | |
| 16 | 68V-81315-00-00 | LEAD WIRE ASSY | 1 | |
| 17 | 6CJ-85790-00-00 | THERMOSENSOR ASSY | 1 | |
| 18 | 90464-09M47-00 | CLAMP | 1 | |
| 19 | 90430-14115-00 | .GASKET | 1 | |
| 20 | 6BL-82389-00-00 | PLATE 2 | 1 | |
| 21 | 97095-06016-00 | BOLT | 2 | |
| 22 | 92995-06600-00 | WASHER | 2 | |
| 23 | 90464-20181-00 | CLAMP | 1 | |

F25SEA 0410 / ELECTRICAL 3



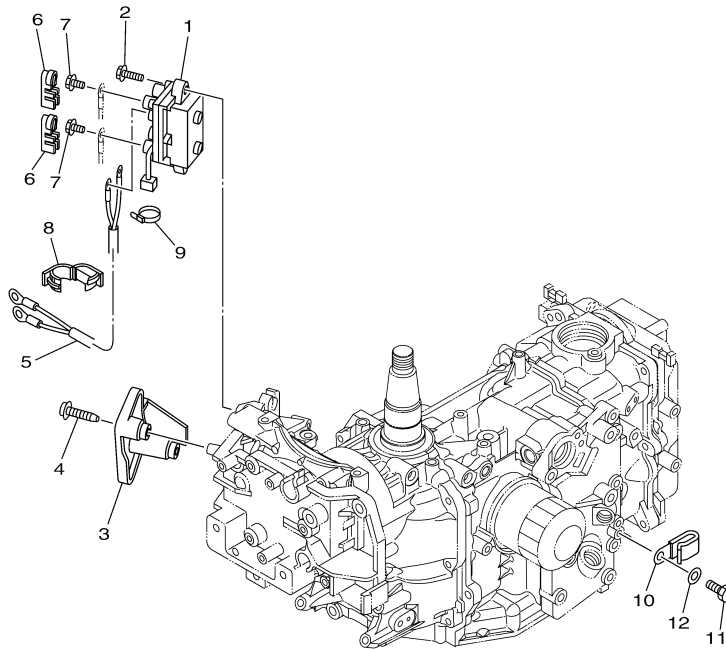
©2014 Yamaha Motor Corporation, U.S.A. All rights reserved.

Part List

F25SEA 0410 / ELECTRICAL 3

| REF - NO | PART NUMBER | PART NAME | QUANTITY | REMARKS |
|----------------|-----------------|-------------------------------|----------|---------|
| 1 | 6BL-81960-00-00 | RECTIFIER & REGULATOR ASSY | 1 | |
| 2 | 97095-06040-00 | .BOLT | 2 | |
| 3 | 92995-06600-00 | WASHER | 2 | |
| 4 | 68T-81940-00-00 | STARTER RELAY ASSY | 1 | |
| 5 | 97595-06610-00 | BOLT, WITH WASHER | 2 | |
| 6 | 6G5-82119-10-00 | COVER, LEAD WIRE | 2 | |
| 7 | 6BL-8182A-00-00 | NUT | 1 | |
| 8 | 6BL-81925-00-00 | TERMINAL | 1 | |
| 9 | 6BL-8183X-00-00 | CAP, TERMINAL | 1 | |
| 10 | 97013-08045-00 | BOLT | 3 | |
| 11 | 92903-08600-00 | WASHER, PLATE | 3 | |
| 12 | 6BL-81822-00-00 | BRACKET, STARTING MOTOR | 1 | |
| 13 | 99590-10114-00 | .PIN, DOWEL | 2 | |
| 14 | 97013-08045-00 | BOLT | 2 | |
| 15 | 92903-08600-00 | WASHER, PLATE | 2 | |
| 16 | 6BL-81823-00-00 | STAY, STARTING MOTOR | 1 | |
| 17 | 97575-06520-00 | BOLT, WITH WASHER | 1 | |
| 18 | 6BL-82105-00-00 | BATTERY CABLE | 1 | |
| 19 | 90179-08003-00 | NUT | 1 | |
| 20 | 90464-18001-00 | CLAMP | 1 | |
| 21 | 90159-05M12-00 | SCREW, WITH WASHER | 1 | |

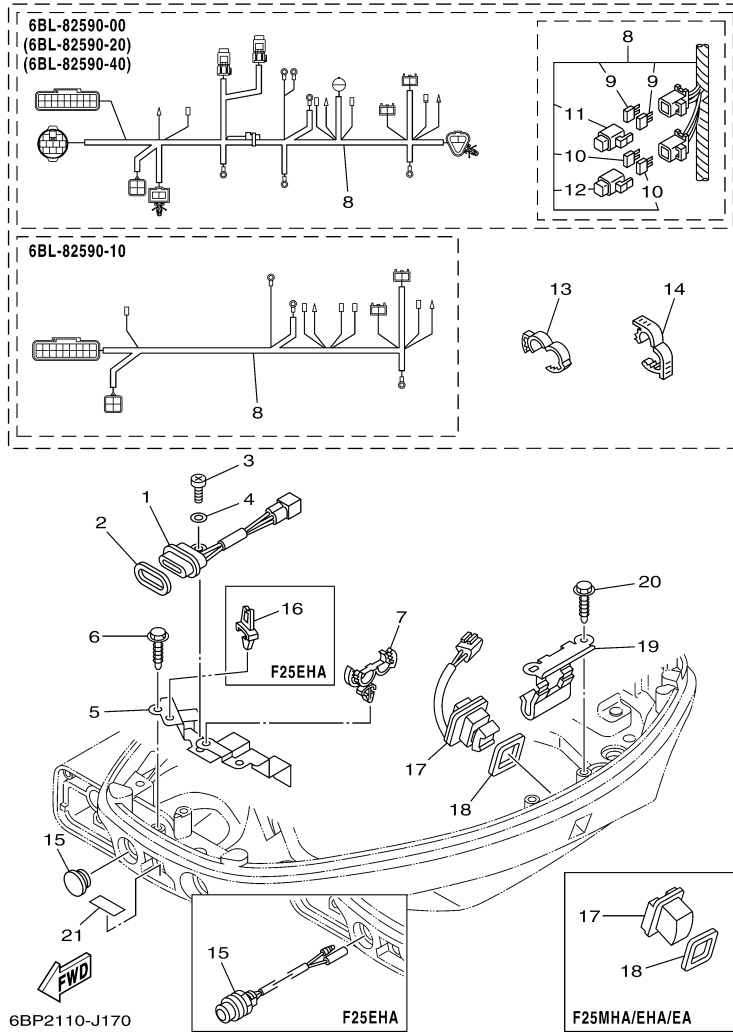
F25SEA 0410 / ELECTRICAL 4



6BP3110-K160

©2014 Yamaha Motor Corporation, U.S.A. All rights reserved.

F25SEA 0410 / ELECTRICAL 5



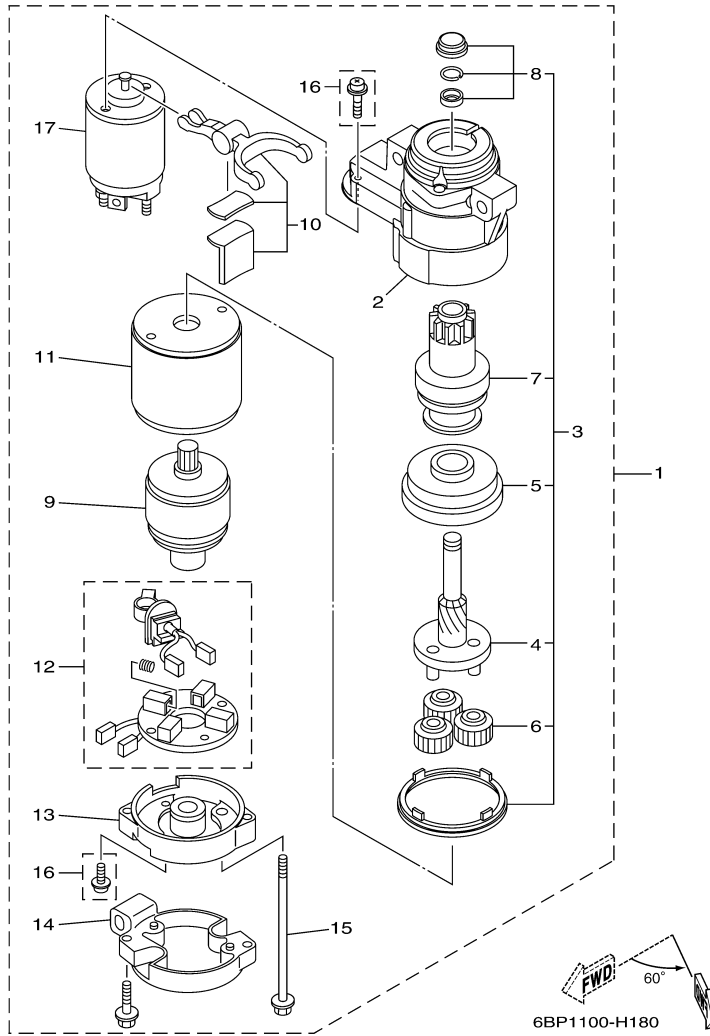
©2014 Yamaha Motor Corporation, U.S.A. All rights reserved.

Part List

F25SEA 0410 / ELECTRICAL 5

| REF - NO | PART NUMBER | PART NAME | QUANTITY | REMARKS |
|----------------|-----------------|--------------------|----------|---------|
| 1 | 62Y-84301-00-00 | PILOT LIGHT ASSY 1 | 1 | |
| 2 | 6H4-83589-00-00 | GASKET | 1 | |
| 3 | 97885-06012-00 | SCREW, PAN HEAD | 1 | |
| 4 | 92995-06600-00 | WASHER | 1 | |
| 5 | 6BL-82388-00-00 | PLATE | 1 | |
| 6 | 90109-06M86-00 | BOLT | 2 | |
| 7 | 90464-18246-00 | CLAMP | 1 | |
| 8 | 6BL-82590-20-00 | WIRE HARNESS ASSY | 1 | |
| 9 | 67F-82151-00-00 | .FUSE (20A) | 2 | |
| 10 | 67F-82151-10-00 | .FUSE (30A) | 2 | |
| 11 | 67F-8215B-10-00 | .CAP (YELLOW) | 1 | |
| 12 | 67F-8215B-20-00 | .CAP (GREEN) | 1 | |
| 13 | 90464-18001-00 | CLAMP | 1 | |
| 14 | 90464-18001-00 | CLAMP | 1 | |
| 15 | 6G1-42725-00-00 | GROMMET | 1 | |
| 17 | 69J-42723-00-8D | COVER, BOTTOM | 1 | |
| 18 | 69J-82587-00-00 | GASKET | 1 | |
| 19 | 63P-83614-01-00 | BRACKET | 1 | |
| 20 | 90109-06M86-00 | BOLT | 2 | |
| 21 | 67C-85415-00-00 | MARK, SIGNAL LAMP | 1 | |

F25SEA 0410 / STARTING MOTOR



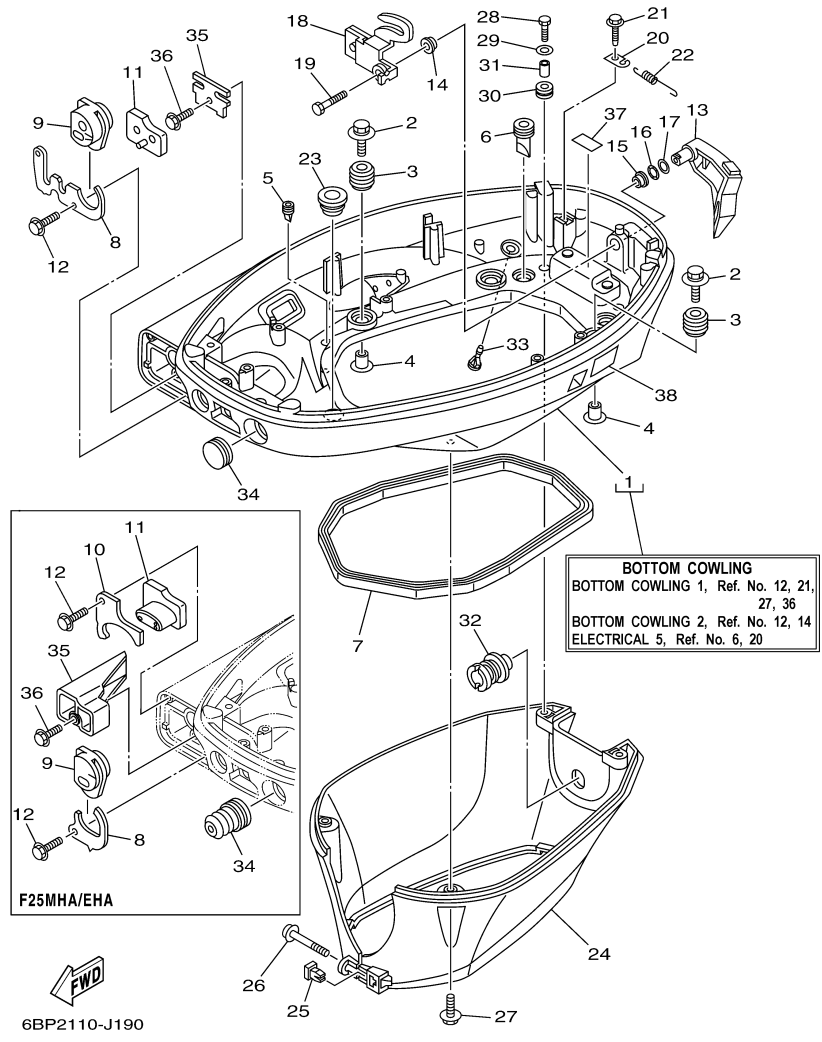
©2014 Yamaha Motor Corporation, U.S.A. All rights reserved.

Part List

F25SEA 0410 / STARTING MOTOR

| REF - NO | PART NUMBER | PART NAME | QUANTITY | REMARKS |
|----------------|-----------------|-------------------------------|----------|---------|
| 1 | 6BG-81800-00-00 | STARTING MOTOR ASSY | 1 | |
| 2 | 6BG-81830-00-00 | .FRONT BRACKET ASSY | 1 | |
| 3 | 6BG-81807-00-00 | .GEAR ASSY, STARTING MOTOR | 1 | |
| 4 | 6BG-81836-00-00 | ..SPRING, LEVER | 1 | |
| 5 | 6BG-81891-00-00 | ..GEAR, RING | 1 | |
| 6 | 6AW-8183T-00-00 | ..GEAR, IDLER | 3 | |
| 7 | 6BG-81832-00-00 | ..CLUTCH, OVER RUN | 1 | |
| 8 | 6BG-81857-00-00 | ..RETAINER | 1 | |
| 9 | 6BG-81850-00-00 | .ARMATURE ASSY | 1 | |
| 10 | 6BG-81839-00-00 | .LEVER ASSY | 1 | |
| 11 | 6BG-81810-00-00 | .STATOR ASSY | 1 | |
| 12 | 6BG-81840-00-00 | .BRUSH HOLDER ASSY | 1 | |
| 13 | 6BG-81820-00-00 | .REAR BRACKET ASSY | 1 | |
| 14 | 6BG-8182J-00-00 | .BRACKET COMPLETE | 1 | |
| 15 | 6BG-81826-00-00 | .BOLT | 2 | |
| 16 | 6BG-81846-00-00 | .SCREW SET | 1 | |
| 17 | 6BG-81941-00-00 | .STARTER RELAY ASSY | 1 | |

F25SEA 0410 / BOTTOM COWLING 1



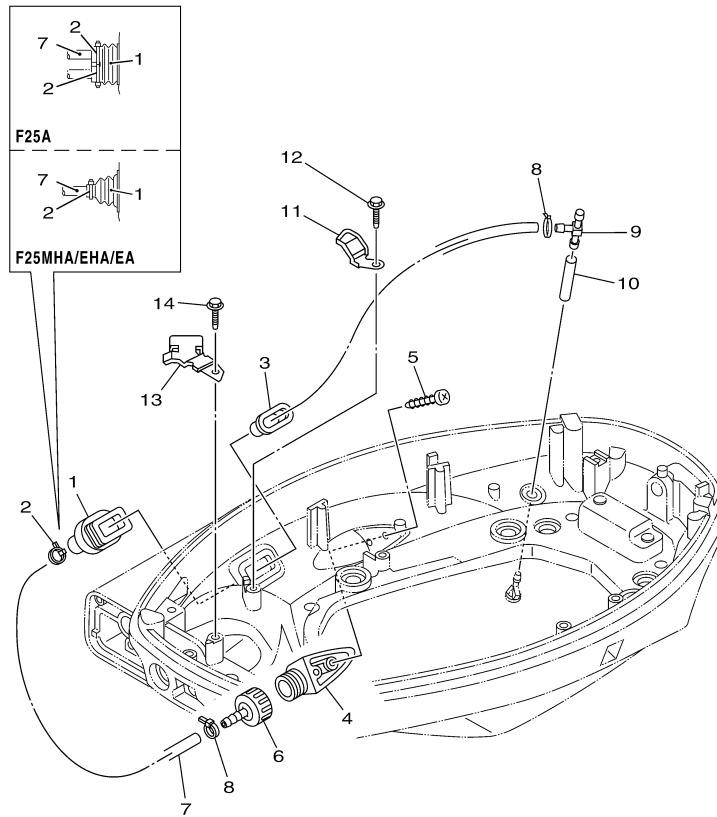
©2014 Yamaha Motor Corporation, U.S.A. All rights reserved.

Part List

F25SEA 0410 / BOTTOM COWLING 1

| REF - NO | PART NUMBER | PART NAME | QUANTITY | REMARKS |
|----------------|-----------------|--------------------------|----------|---------|
| 1 | 6BP-42710-00-4D | BOTTOM COWLING ASSY | 1 | |
| 2 | 90119-06M61-00 | BOLT, WITH WASHER | 4 | |
| 3 | 6BG-42748-00-00 | GROMMET | 4 | |
| 4 | 90387-06060-00 | COLLAR | 4 | |
| 5 | 65W-42717-00-00 | RUBBER, SEAL 2 | 2 | |
| 6 | 61A-42717-00-00 | RUBBER, SEAL 2 | 2 | |
| 7 | 62Y-42716-00-00 | RUBBER, SEAL 1 | 1 | |
| 8 | 6BL-42761-00-00 | .STOPPER | 1 | |
| 9 | 6BL-42725-01-00 | GROMMET | 1 | |
| 11 | 6BL-42727-00-00 | .GROMMET | 1 | |
| 12 | 90109-06M86-00 | BOLT | 2 | |
| 13 | 6BL-42815-00-4D | LEVER, CLAMP | 1 | |
| 14 | 90386-12M37-00 | BUSH | 1 | |
| 15 | 90386-12MA2-00 | BUSH | 1 | |
| 16 | 90206-12052-00 | WASHER, WAVE | 1 | |
| 17 | 90201-12M07-00 | WASHER, PLATE | 1 | |
| 18 | 6BG-42816-00-00 | LEVER, CLAMP | 1 | |
| 19 | 97095-06012-00 | BOLT | 1 | |
| 20 | 66T-43144-00-00 | HOOK, SPRING | 1 | |
| 21 | 90109-06M86-00 | BOLT | 1 | |
| 22 | 90506-18023-00 | SPRING, TENSION | 1 | |
| 23 | 68U-42727-00-00 | GROMMET | 1 | |
| 24 | 6BP-42741-00-00 | APRON | 1 | |
| 25 | 60V-42756-00-00 | STAY, CLAMP | 1 | |
| 26 | 97980-04245-00 | SCREW, WITH WASHER | 1 | |
| 27 | 90109-06M86-00 | BOLT | 2 | |
| 28 | 97095-06014-00 | BOLT | 2 | |
| 29 | 92995-06600-00 | WASHER | 2 | |
| 30 | 90480-13M24-00 | GROMMET | 2 | |
| 31 | 90387-06M43-00 | COLLAR | 2 | |
| 33 | 6BL-44391-00-00 | NIPPLE, HOSE | 1 | |
| 34 | 65W-42726-10-00 | .GROMMET | 1 | |
| 35 | 6BL-48538-00-00 | .CLAMP, CABLE 1 | 1 | |
| 36 | 90109-06M86-00 | BOLT | 1 | |
| 37 | 6C5-82377-00-00 | LABEL | 1 | |
| 38 | 6AH-42794-40-00 | LABEL, WARNING (GENERAL) | 1 | |

F25SEA 0410 / BOTTOM COWLING 2



6BP2110-J200

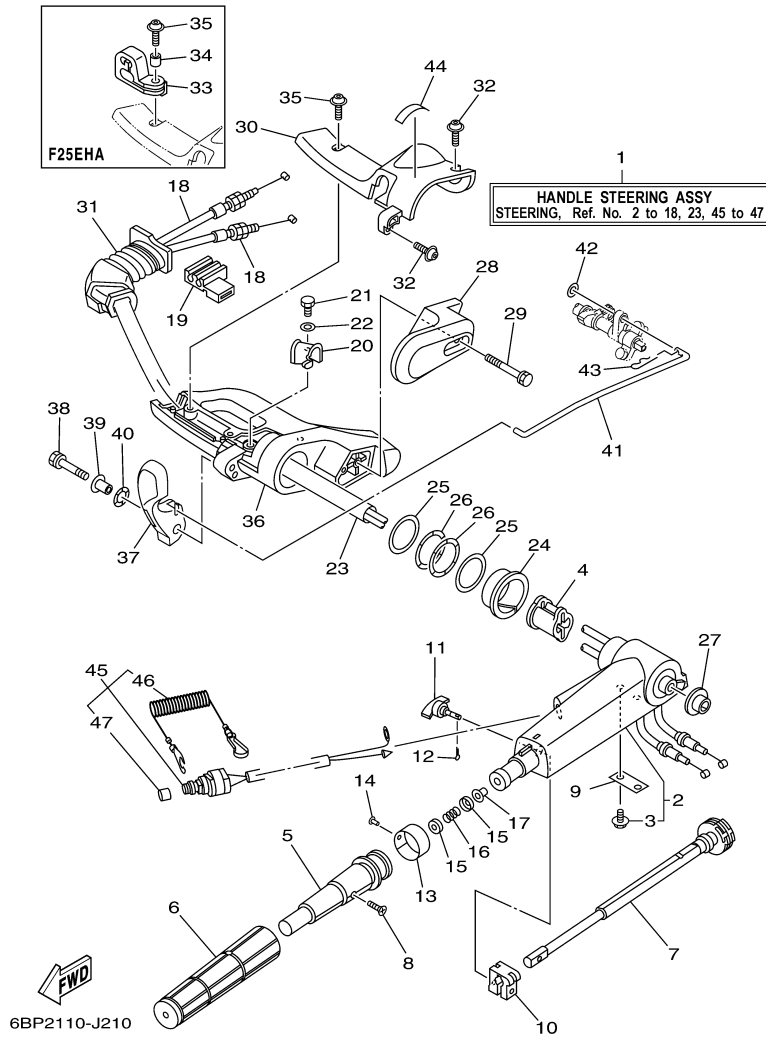
©2014 Yamaha Motor Corporation, U.S.A. All rights reserved.

Part List

F25SEA 0410 / BOTTOM COWLING 2

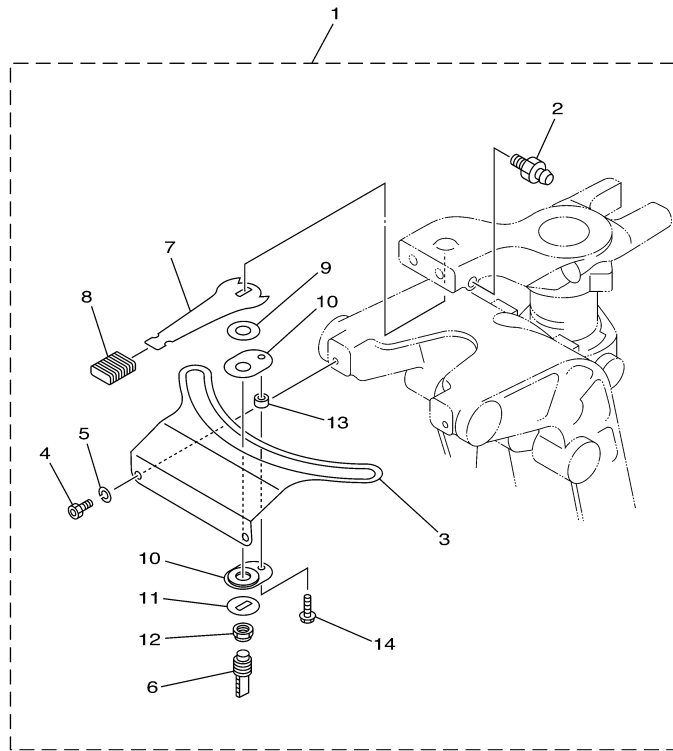
| REF - NO | PART NUMBER | PART NAME | QUANTITY | REMARKS |
|----------------|-----------------|----------------|----------|---------|
| 1 | 6BG-42724-00-00 | GROMMET | 1 | |
| 2 | 90465-11M10-00 | CLAMP | 1 | |
| 3 | 6BG-42384-00-00 | SEAL, CAP | 1 | |
| 4 | 6AW-12572-00-00 | ADAPTER | 1 | |
| 5 | 97780-60520-00 | SCREW, TAPPING | 2 | |
| 6 | 6R3-12580-00-00 | JOINT ASSY | 1 | |
| 7 | 90445-11153-00 | HOSE (L460) | 1 | |
| 8 | 90465-11M10-00 | CLAMP | 2 | |
| 9 | 6C5-24378-00-00 | PIPE, JOINT 3 | 1 | |
| 10 | 90445-09057-00 | HOSE (L43) | 1 | |
| 11 | 6BL-24396-00-00 | PLATE | 1 | |
| 12 | 90109-06M86-00 | BOLT | 1 | |
| 13 | 6BL-24364-00-00 | STAY | 1 | |
| 14 | 90109-06M86-00 | BOLT | 1 | |

F25SEA 0410 / STEERING



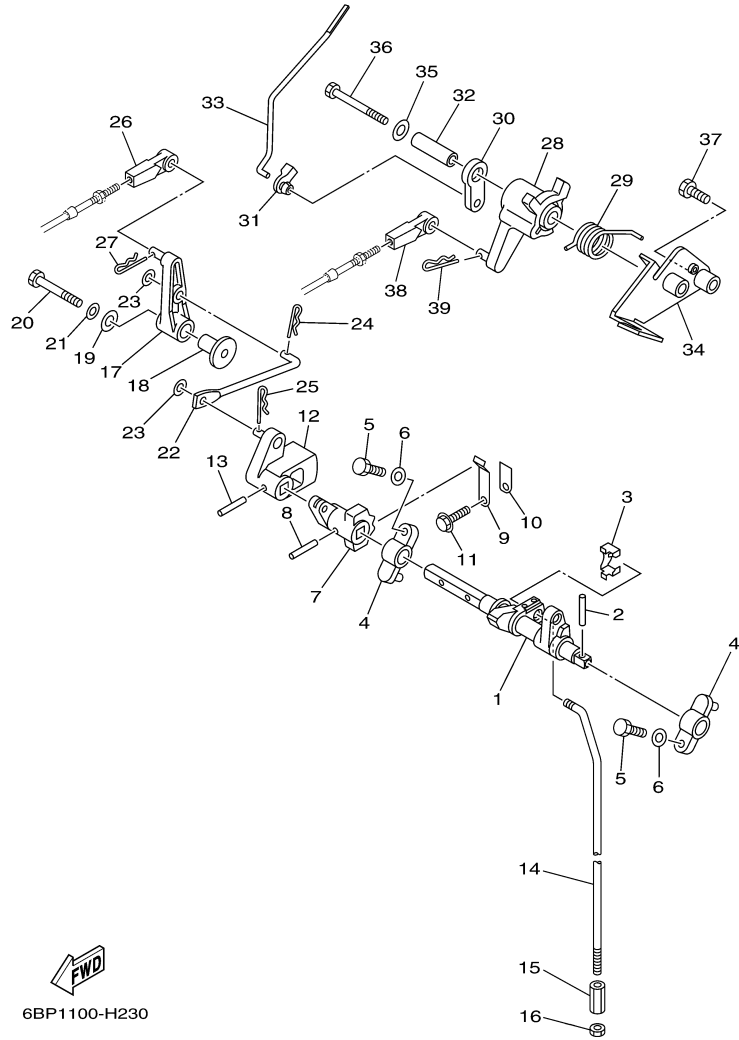
©2014 Yamaha Motor Corporation, U.S.A. All rights reserved.

F25SEA 0410 / STEERING FRICTION



65W1010-2180

F25SEA 0410 / CONTROL 1



©2014 Yamaha Motor Corporation, U.S.A. All rights reserved.



Part List

F25SEA 0410 / CONTROL 1

| REF - NO | PART NUMBER | PART NAME | QUANTITY | REMARKS |
|----------------|-----------------|----------------------------|----------|----------|
| 1 | 6BL-44121-00-00 | LEVER, SHIFT ROD | 1 | |
| 2 | 90254-03M05-00 | PIN, SPRING | 1 | |
| 3 | 6AH-26364-00-00 | END, CABLE 2 | 1 | |
| 4 | 6G1-41662-01-94 | BRACKET 2 | 2 | |
| 5 | 97095-06020-00 | BOLT | 2 | |
| 6 | 92995-06600-00 | WASHER | 2 | |
| 7 | 6BL-44173-00-00 | LEVER, SHIFT CONTROL | 1 | |
| 8 | 90254-03M05-00 | PIN, SPRING | 1 | |
| 9 | 65W-44116-00-00 | SPRING | 1 | |
| 10 | 66R-44114-00-00 | STOPPER | 1 | |
| 11 | 95895-06014-00 | BOLT, FLANGE | 1 | |
| 12 | 6BL-44142-00-00 | JOINT | 1 | |
| 13 | 90254-03M05-00 | PIN, SPRING | 1 | |
| 14 | 6BP-44143-00-00 | ROD, SHIFT | 1 | S(16.6") |
| 15 | 90170-06015-00 | NUT | 1 | |
| 16 | 95380-06700-00 | NUT | 1 | |
| 17 | 6BL-44125-00-00 | .LEVER, SHIFT ROD | 1 | |
| 18 | 90387-06M86-00 | .COLLAR | 1 | |
| 19 | 90201-06M31-00 | .WASHER, PLATE | 1 | |
| 20 | 97095-06035-00 | BOLT | 1 | |
| 21 | 92995-06600-00 | WASHER | 1 | |
| 22 | 6BL-44192-00-00 | .LINK, SHIFT ROD | 1 | |
| 23 | 90201-05M06-00 | .WASHER, PLATE | 2 | |
| 24 | 90468-10005-00 | CLIP | 1 | |
| 25 | 90468-18001-00 | CLIP | 1 | |
| 26 | 663-48344-00-00 | .CABLE END, REMOTE CONTROL | 1 | |
| 27 | 90468-18008-00 | CLIP | 1 | |
| 28 | 6BL-41638-00-00 | .PULLEY | 1 | |
| 29 | 90508-20040-00 | .SPRING, TORSION | 1 | |
| 30 | 65W-41283-00-00 | .LEVER, FREE ACCEL. | 1 | |
| 31 | 6J8-41262-00-00 | JOINT, CHOKE LEVER | 1 | |
| 32 | 90387-06139-00 | .COLLAR | 1 | |
| 33 | 6BL-41211-00-00 | .LINK, ACCEL. | 1 | |
| 34 | 6BL-14571-10-00 | .BRACKET, THROTTLE | 1 | |
| 35 | 90201-06M31-00 | .WASHER, PLATE | 1 | |
| 36 | 97095-06065-00 | .BOLT | 1 | |
| 37 | 97095-06025-00 | BOLT | 1 | |
| 38 | 663-48344-00-00 | .CABLE END, REMOTE CONTROL | 1 | |
| 39 | 90468-18008-00 | CLIP | 1 | |

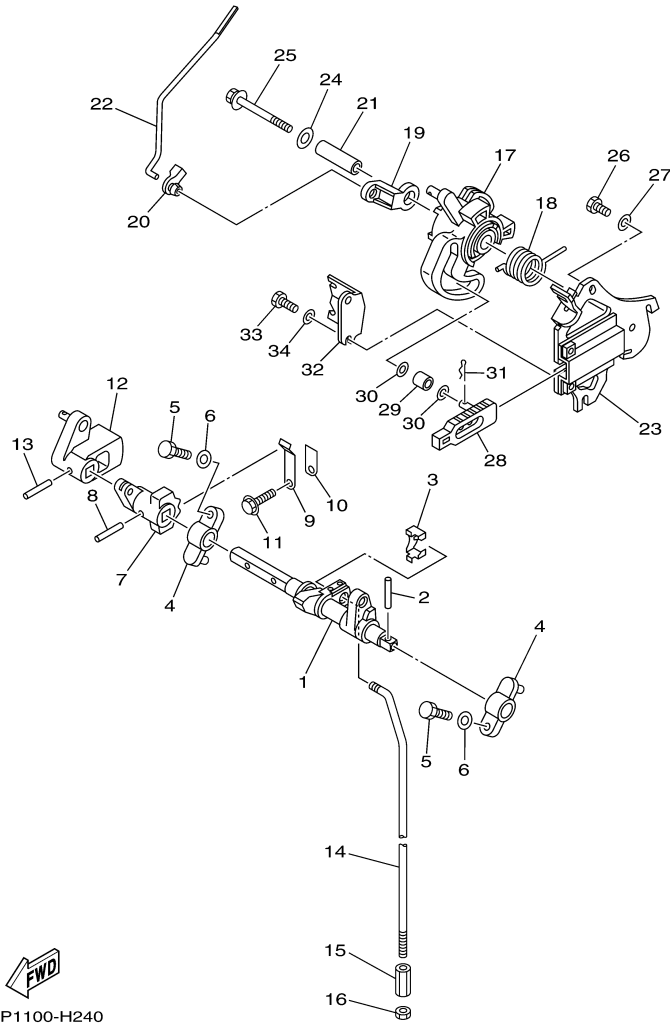
Part Notes

F25SEA 0410 / CONTROL 1

| PART NUMBER | | NOTE TEXT |
|----------------|---|--|
| 90468-18008-00 |  | OEM: This part number is among the Top 100 Most Popular Marine Maintenance Parts as of March 2014. |
| 90468-18008-00 |  | OEM: This part number is among the Top 100 Most Popular Marine Maintenance Parts as of March 2014. |

©2014 Yamaha Motor Corporation, U.S.A. All rights reserved.

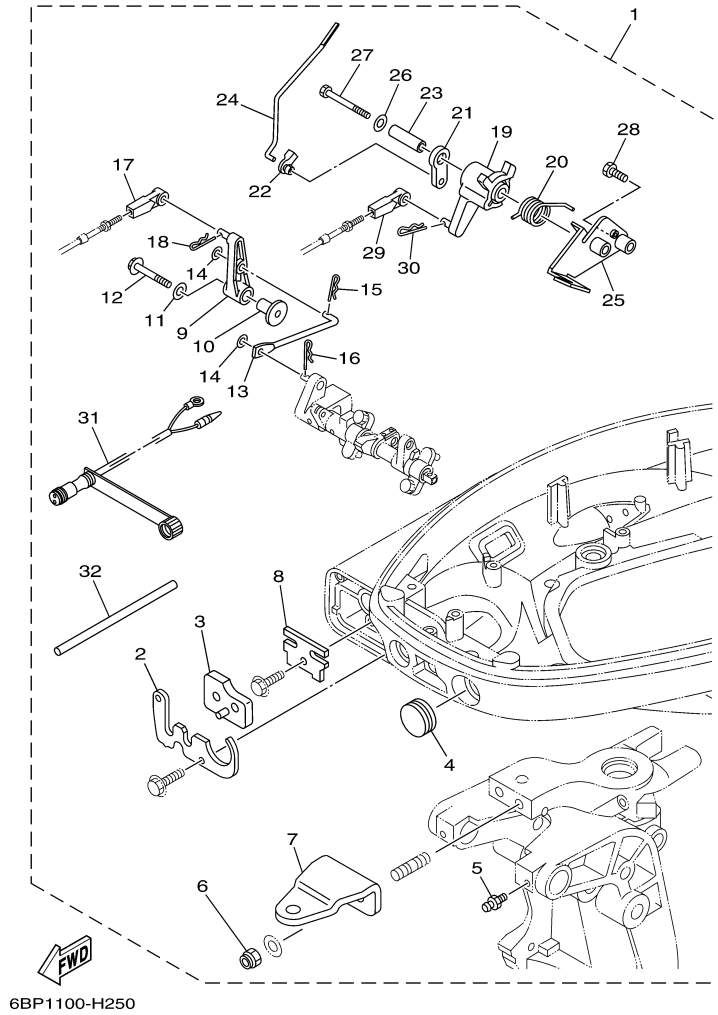
F25SEA 0410 / CONTROL 2




6BP1100-H240

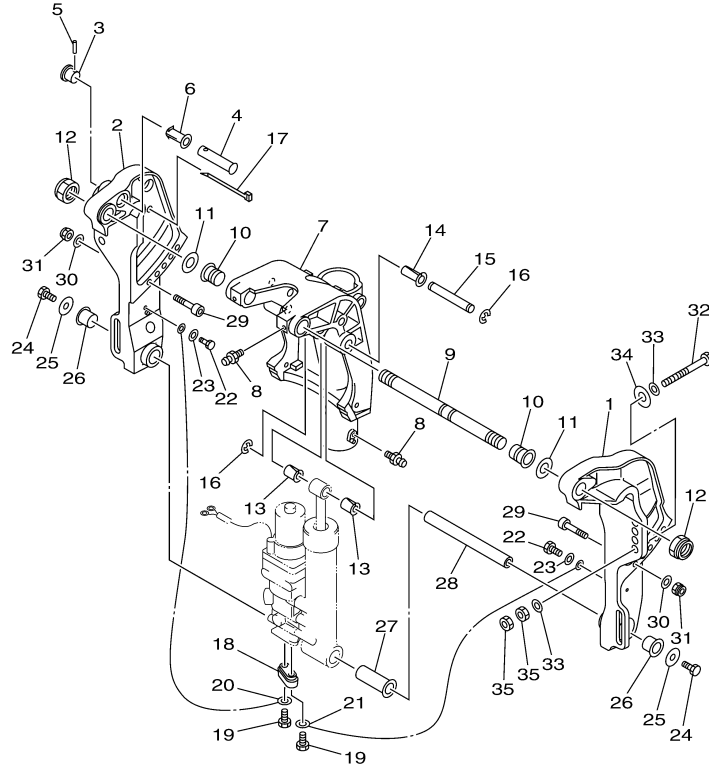
©2014 Yamaha Motor Corporation, U.S.A. All rights reserved.

F25SEA 0410 / REMO CON ATTACHMENT



©2014 Yamaha Motor Corporation, U.S.A. All rights reserved.

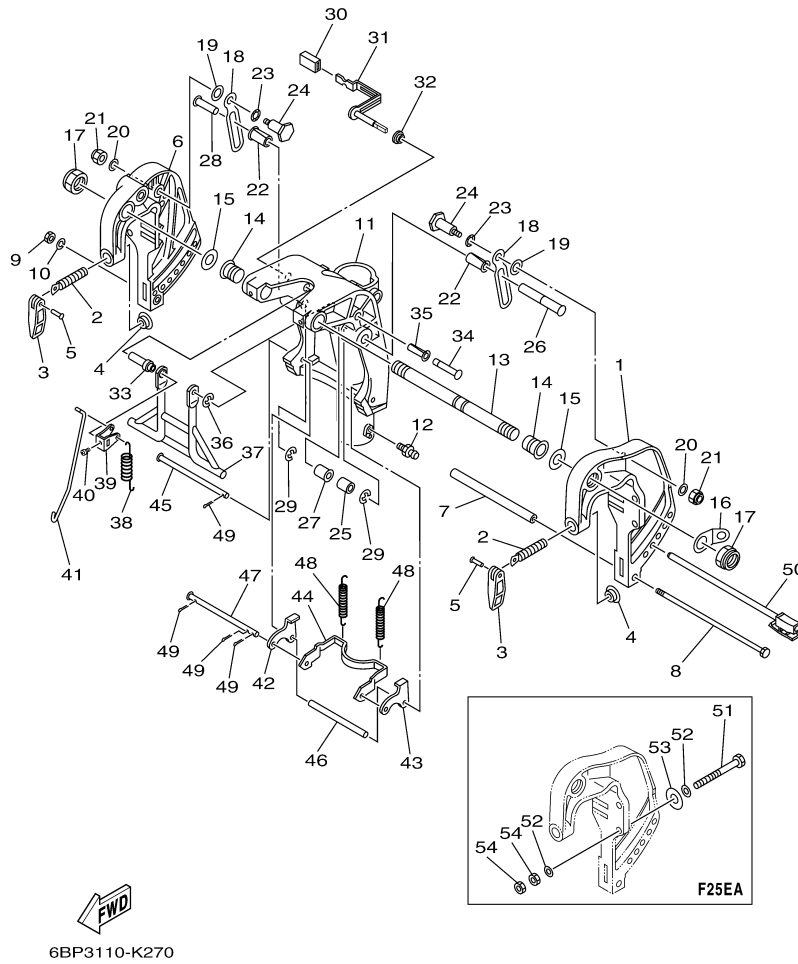
F25SEA 0410 / BRACKET 1



6BP3110-K260

©2014 Yamaha Motor Corporation, U.S.A. All rights reserved.

F25SEA 0410 / BRACKET 2



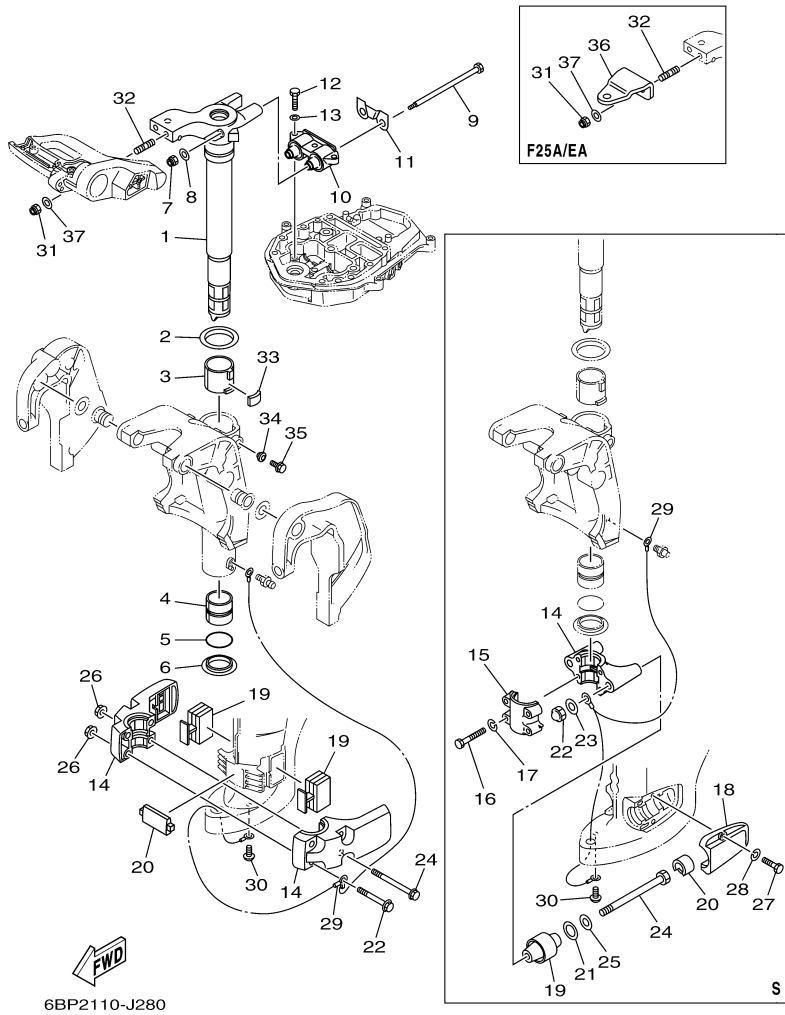
©2014 Yamaha Motor Corporation, U.S.A. All rights reserved.

Part List

F25SEA 0410 / BRACKET 2

| REF - NO | PART NUMBER | PART NAME | QUANTITY | REMARKS |
|----------|-----------------|-----------------------|----------|----------|
| 1 | 66T-43111-01-4D | BRACKET, CLAMP 1 | 1 | |
| 2 | 90149-14M12-00 | SCREW | 2 | |
| 3 | 663-43118-01-4D | HANDLE, TRANSOM CLAMP | 2 | |
| 4 | 648-43114-01-00 | PAD, TRANSOM CLAMP | 2 | |
| 5 | 90243-04007-00 | PIN | 2 | |
| 6 | 66T-43112-01-4D | BRACKET, CLAMP 2 | 1 | |
| 7 | 90387-08M29-00 | COLLAR | 1 | |
| 8 | 90101-08M76-00 | BOLT | 1 | |
| 9 | 95380-08600-00 | NUT | 1 | |
| 10 | 92990-08100-00 | WASHER, SPRING | 1 | |
| 11 | 65W-43311-00-4D | BRACKET, SWIVEL 1 | 1 | S(16.6") |
| 12 | 93700-06M03-00 | NIPPLE, GREASE | 3 | |
| 13 | 63D-43131-01-00 | BOLT, CLAMP BRACKET | 1 | |
| 14 | 90386-22M15-00 | BUSH | 2 | |
| 15 | 90201-22M03-00 | WASHER, PLATE | 2 | |
| 16 | 6J8-43113-01-00 | PLATE, CLAMP BRACKET | 1 | |
| 17 | 90185-22043-00 | NUT, SELF-LOCKING | 2 | |
| 18 | 66T-43627-00-00 | STOPPER | 2 | |
| 19 | 90202-12031-00 | WASHER, PLATE | 2 | |
| 20 | 90201-08M07-00 | WASHER, PLATE | 2 | |
| 21 | 90185-08057-00 | NUT, SELF-LOCKING | 2 | |
| 22 | 90386-12M98-00 | BUSH | 2 | |
| 23 | 90206-12M00-00 | WASHER, WAVE | 2 | |
| 24 | 90109-08M90-00 | BOLT | 2 | |
| 25 | 90387-12M04-00 | COLLAR | 1 | |
| 26 | 90249-12M39-00 | PIN | 1 | |
| 27 | 90386-12MA0-00 | BUSH | 1 | |
| 28 | 90249-12M34-00 | PIN | 1 | |
| 29 | 99080-10600-00 | CIRCLIP | 2 | |
| 30 | 682-43318-01-00 | COVER | 1 | |
| 31 | 65W-43630-11-00 | TILT LEVER ASSY | 1 | |
| 32 | 90386-07MA2-00 | BUSH | 1 | |
| 33 | 90387-07M05-00 | COLLAR | 1 | |
| 34 | 90249-10M31-00 | PIN | 1 | |
| 35 | 90386-10M99-00 | BUSH | 1 | |
| 36 | 99080-08600-00 | CIRCLIP | 1 | |
| 37 | 66T-43350-02-00 | RECEIVER ASSY | 1 | |
| 38 | 90506-20M37-00 | SPRING, TENSION | 1 | |
| 39 | 66T-43631-11-00 | LEVER, TILT | 1 | |
| 40 | 90157-05014-00 | SCREW, PAN HEAD | 1 | |
| 41 | 65W-43616-00-00 | ROD, TILT LOCK | 1 | |
| 42 | 65W-43614-01-00 | PLATE, TILT LOCK | 1 | |
| 43 | 65W-43615-01-00 | PLATE, TILT LOCK | 1 | |
| 44 | 65W-43613-00-00 | ARM, TILT LOCK | 1 | |
| 45 | 90249-07M32-00 | PIN | 1 | |
| 46 | 90387-07M29-00 | COLLAR | 1 | |
| 47 | 90249-07M33-00 | PIN | 1 | |
| 48 | 90506-30M00-00 | SPRING, TENSION | 2 | |
| 49 | 91490-20012-00 | PIN. COTTER | 4 | |
| 50 | 65W-43160-00-00 | TILT ROD ASSY | 1 | |
| 51 | 90101-10M58-00 | BOLT | 4 | |
| 52 | 92995-10600-00 | WASHER | 8 | |
| 53 | 90201-12426-00 | WASHER, PLATE | 4 | |
| 54 | 95380-10600-00 | NUT | 8 | |

F25SEA 0410 / BRACKET 3



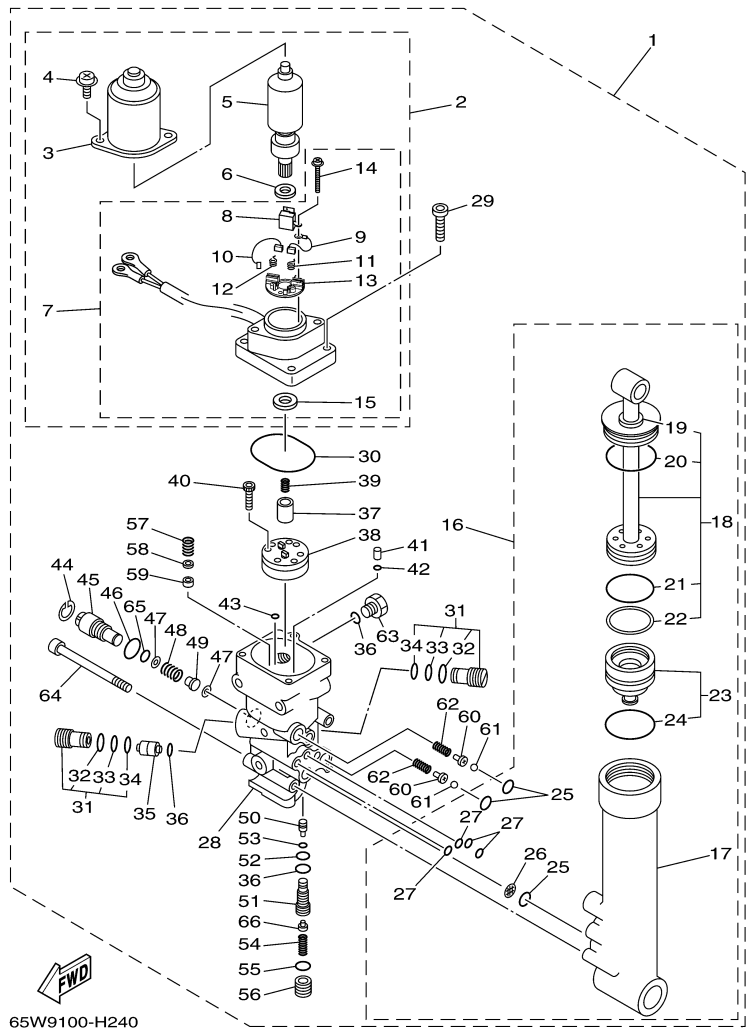
©2014 Yamaha Motor Corporation, U.S.A. All rights reserved.

Part List

F25SEA 0410 / BRACKET 3

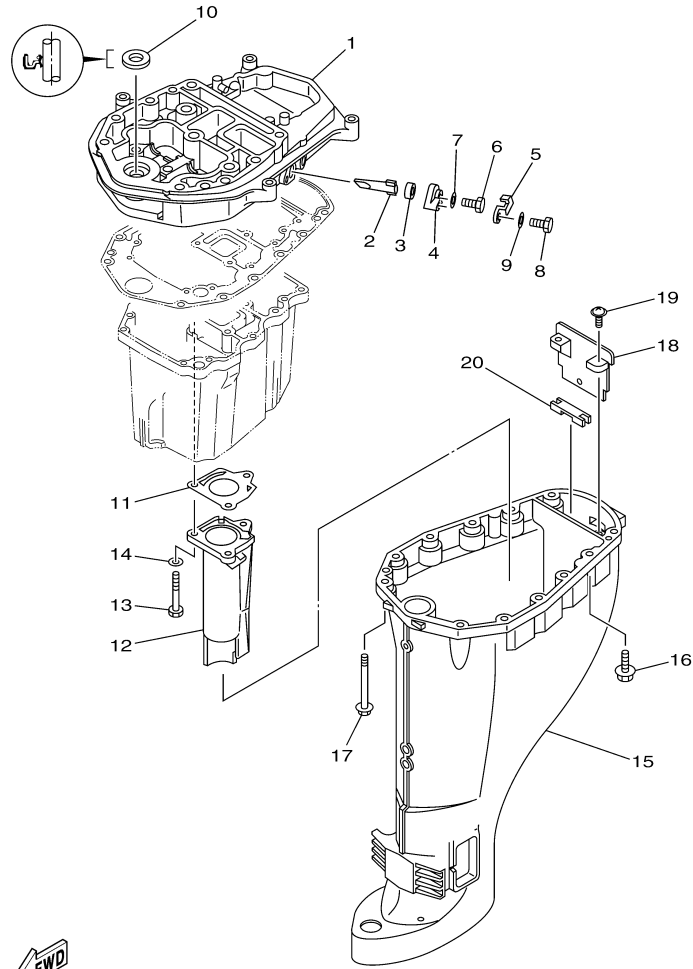
| REF - NO | PART NUMBER | PART NAME | QUANTITY | REMARKS |
|----------|-----------------|-------------------------------|----------|----------|
| 1 | 65W-42511-01-4D | BRACKET, STEERING | 1 | S(16.6") |
| 2 | 90209-52M00-00 | WASHER | 1 | |
| 3 | 90386-52M02-00 | BUSH | 1 | |
| 4 | 90386-44M03-00 | BUSH | 1 | |
| 5 | 93210-43MJ0-00 | O-RING | 1 | |
| 6 | 90386-44M99-00 | BUSH | 1 | |
| 7 | 90185-08045-00 | NUT, SELF-LOCKING | 2 | |
| 8 | 92995-08200-00 | WASHER | 2 | |
| 9 | 90101-08M86-00 | BOLT | 2 | |
| 10 | 67C-44514-20-94 | MOUNT DAMPER, UPPER SIDE | 1 | |
| 11 | 66T-44526-30-00 | PLATE | 1 | |
| 12 | 97075-08030-00 | BOLT | 3 | |
| 13 | 92995-08600-00 | WASHER | 3 | |
| 14 | 6BP-44551-00-4D | HOUSING, LOWER MOUNT RUBBER 1 | 1 | S(16.6") |
| 15 | 6BP-44552-00-4D | HOUSING, LOWER MOUNT RUBBER 2 | 1 | S(16.6") |
| 16 | 97095-08045-00 | .BOLT | 4 | S(16.6") |
| 17 | 92995-08100-00 | WASHER | 4 | S(16.6") |
| 18 | 63D-44552-01-4D | HOUSING, LOWER MOUNT RUBBER 2 | 2 | S(16.6") |
| 19 | 6BP-44555-00-00 | MOUNT DAMPER, LOWER SIDE | 2 | S(16.6") |
| 20 | 64J-44575-00-00 | DAMPER, LOWER MOUNT RUBBER | 2 | S(16.6") |
| 21 | 90202-25M04-00 | WASHER, PLATE | 2 | S(16.6") |
| 22 | 95380-12800-00 | NUT, CROWN | 2 | S(16.6") |
| 23 | 90201-12M16-00 | WASHER, PLATE | 2 | S(16.6") |
| 24 | 90109-12MA3-00 | BOLT | 2 | S(16.6") |
| 25 | 90201-13M19-00 | WASHER, PLATE | 2 | S(16.6") |
| 27 | 97075-08030-00 | BOLT | 4 | S(16.6") |
| 28 | 92995-08100-00 | WASHER | 4 | S(16.6") |
| 29 | 63D-82127-00-00 | WIRE, LEAD 2 | 1 | S(16.6") |
| 30 | 97885-06008-00 | SCREW, PAN HEAD | 1 | |
| 31 | 90185-10051-00 | NUT, SELF-LOCKING | 2 | |
| 32 | 90116-10M70-00 | BOLT, STUD | 2 | |
| 33 | 648-42528-00-00 | PLATE, FRICTION | 1 | |
| 34 | 65W-43373-00-00 | SEAL, DAMPER | 1 | |
| 35 | 90105-08M76-00 | BOLT, FLANGE | 1 | |
| 36 | 65W-48511-00-00 | HOOK, STEERING | 1 | |
| 37 | 90201-10120-00 | .WASHER, PLATE | 2 | |

F25SEA 0410 / POWER TRIM TILT ASSY



©2014 Yamaha Motor Corporation, U.S.A. All rights reserved.

F25SEA 0410 / UPPER CASING



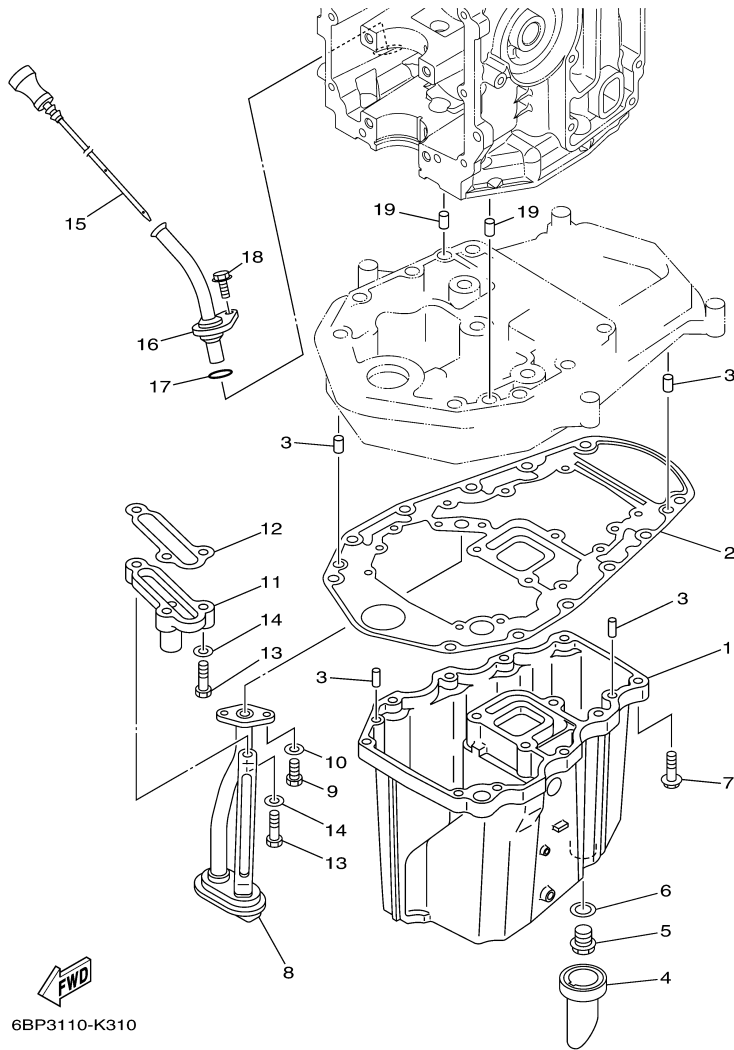
6BP3110-K300

Part List

F25SEA 0410 / UPPER CASING

| REF - NO | PART NUMBER | PART NAME | QUANTITY | REMARKS |
|----------------|-----------------|--------------------------------|----------|----------|
| 1 | 67C-41137-13-CA | GUIDE, EXHAUST | 1 | |
| 2 | 62Y-11325-00-00 | ANODE | 1 | |
| 3 | 66M-11328-00-00 | GROMMET, ANODE | 1 | |
| 4 | 66M-11327-00-94 | COVER, ANODE | 1 | |
| 5 | 66M-12535-00-00 | PLATE | 1 | |
| 6 | 97095-05012-00 | BOLT | 1 | |
| 7 | 92995-05600-00 | WASHER | 1 | |
| 8 | 97013-06020-00 | BOLT | 1 | |
| 9 | 92903-06600-00 | WASHER, PLATE | 1 | |
| 10 | 93110-16004-00 | .OIL SEAL | 1 | |
| 11 | 67C-41133-00-00 | .GASKET, EXHAUST MANIFOLD 1 | 1 | |
| 12 | 68U-41131-00-5B | MANIFOLD, EXT. 1 | 1 | |
| 13 | 97075-06050-00 | BOLT | 3 | |
| 14 | 92995-06600-00 | WASHER | 3 | |
| 15 | 6BP-45111-00-4D | CASING, UPPER | 1 | S(16.6") |
| 16 | 90119-08102-00 | BOLT, WITH WASHER | 4 | |
| 17 | 90119-08132-00 | BOLT, WITH WASHER | 8 | |
| 18 | 65W-45151-00-00 | COVER, UPPER CASING | 1 | |
| 19 | 97980-05216-00 | SCREW, WITH WASHER | 2 | |
| 20 | 65W-45128-00-00 | .SEAL 2 | 1 | |

F25SEA 0410 / OIL PAN



©2014 Yamaha Motor Corporation, U.S.A. All rights reserved.


Part List

F25SEA 0410 / OIL PAN

| REF - NO | PART NUMBER | PART NAME | QUANTITY | REMARKS |
|----------------|-----------------|----------------------|----------|---------|
| 1 | 65W-15311-03-5B | OIL PAN | 1 | |
| 2 | 69W-15312-00-00 | .GASKET, OIL PAN | 1 | |
| 3 | 93606-12019-00 | .PIN, DOWEL | 4 | |
| 4 | 65W-15316-00-00 | DAMPER 1 | 1 | |
| 5 | 90340-14M06-00 | PLUG, STRAIGHT SCREW | 1 | |
| 6 | 90430-14M09-00 | .GASKET | 1 | |
| 7 | 97575-06525-00 | BOLT, WITH WASHER | 10 | |
| 8 | 65W-13411-00-00 | STRAINER, OIL | 1 | |
| 9 | 97013-06016-00 | BOLT | 2 | |
| 10 | 92903-06600-00 | WASHER, PLATE | 2 | |
| 11 | 6BG-11576-00-94 | BODY, RELIEF | 1 | |
| 12 | 62Y-13475-00-00 | .GASKET | 1 | |
| 13 | 97013-06025-00 | BOLT | 3 | |
| 14 | 92903-06600-00 | WASHER, PLATE | 3 | |
| 15 | 6BL-15362-00-00 | PLUG, OIL LEVEL | 1 | |
| 16 | 6BL-15377-00-00 | GUIDE, INLET | 1 | |
| 17 | 93210-19MJ3-00 | .O-RING | 1 | |
| 18 | 95895-06016-00 | BOLT, FLANGE | 1 | |
| 19 | 93608-12M05-00 | PIN, DOWEL | 2 | |

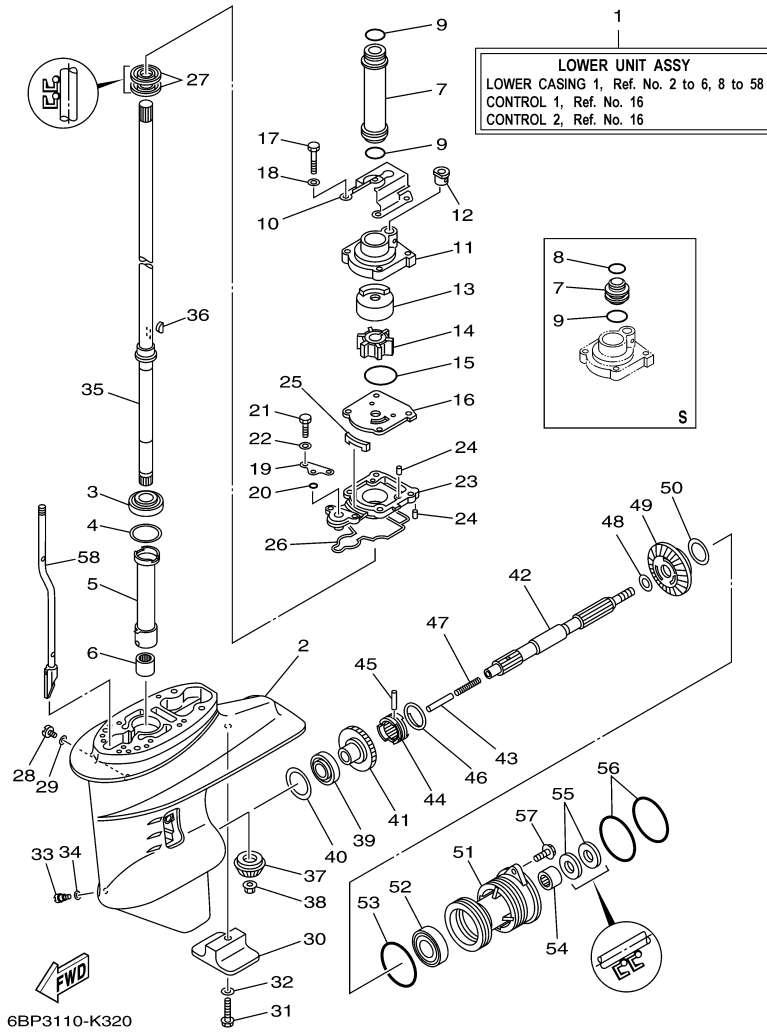
Part Notes

F25SEA 0410 / OIL PAN

| PART NUMBER | NOTE TEXT |
|--|--|
| 90430-14M09-00  | OEM: This part number is among the Top 100 Most Popular Marine Maintenance Parts as of March 2014. |

©2014 Yamaha Motor Corporation, U.S.A. All rights reserved.

F25SEA 0410 / LOWER CASING DRIVE 1



©2014 Yamaha Motor Corporation, U.S.A. All rights reserved.

Part List




F25SEA 0410 / LOWER CASING DRIVE 1

| REF - NO | PART NUMBER | PART NAME | QUANTITY | REMARKS |
|----------|-----------------|-------------------------|----------|----------|
| 1 | 65W-45300-01-4D | LOWER UNIT ASSY | 1 | S(16.6") |
| 2 | 61N-45311-02-4D | CASING, LOWER | 1 | |
| 3 | 93332-000W5-00 | BEARING | 1 | |
| 4 | 61N-45587-00-00 | SHIM (T:0.7MM) | 1 | UR |
| 4 | 61N-45587-10-00 | SHIM (T:1.0MM) | 1 | UR |
| 4 | 61N-45587-20-00 | SHIM (T:1.1MM) | 1 | UR |
| 4 | 61N-45587-70-00 | SHIM (T:1.6MM) | 1 | UR |
| 4 | 61N-45587-40-00 | SHIM (T:1.3MM) | 1 | UR |
| 4 | 61N-45587-50-00 | SHIM (T:1.4MM) | 1 | UR |
| 4 | 61N-45587-60-00 | SHIM (T:1.5MM) | 1 | UR |
| 4 | 61N-45587-30-00 | SHIM (T:1.2MM) | 1 | UR |
| 5 | 61N-45536-00-00 | SLEEVE, DRIVE SHAFT | 1 | |
| 6 | 93315-220V7-00 | BEARING | 1 | |
| 7 | 61N-44362-00-00 | TUBE, WATER 2 | 1 | S(16.6") |
| 8 | 93210-22164-00 | .O-RING | 1 | S(16.6") |
| 9 | 93210-26130-00 | .O-RING | 1 | S(16.6") |
| 11 | 61N-44311-01-00 | .HOUSING, WATER PUMP | 1 | |
| 12 | 6L2-44367-00-00 | .DAMPER, WATER SEAL 3 | 1 | |
| 13 | 61N-44322-01-00 | .INSERT, CARTRIDGE | 1 | |
| 14 | 6H4-44352-02-00 | .IMPELLER | 1 | |
| 15 | 93210-45161-00 | .O-RING | 1 | |
| 16 | 61N-44323-00-00 | .OUTER PLATE, CARTRIDGE | 1 | |
| 17 | 97095-06040-00 | .BOLT | 4 | |
| 18 | 92995-06600-00 | WASHER | 4 | |
| 19 | 65W-44176-00-00 | BRACKET | 1 | |
| 20 | 93210-06ME6-00 | .O-RING | 1 | |
| 21 | 97095-06025-00 | BOLT | 2 | |
| 22 | 92995-06600-00 | WASHER | 2 | |
| 23 | 65W-45331-00-5B | HOUSING, BEARING | 1 | |
| 24 | 93604-10M03-00 | PIN, DOWEL | 3 | |
| 25 | 61N-45127-00-00 | SEAL | 1 | |
| 26 | 61N-45315-00-00 | .PACKING, LOWER CASING | 1 | |
| 27 | 93101-22067-00 | .OIL SEAL | 2 | |
| 28 | 90340-08002-00 | PLUG, STRAIGHT SCREW | 1 | |
| 29 | 90430-08020-00 | .GASKET | 1 | |
| 30 | 61N-45251-01-00 | ANODE | 1 | |
| 31 | 95895-06035-00 | BOLT, FLANGE | 1 | |
| 32 | 92990-06300-00 | WASHER, INTERNAL TOOTH | 1 | |
| 33 | 688-45341-10-00 | PLUG, DRAIN | 1 | |
| 34 | 90430-08020-00 | .GASKET | 1 | |
| 35 | 61N-45510-00-00 | DRIVE SHAFT ASSY | 1 | S(16.6") |
| 36 | 90280-03024-00 | .KEY, WOODRUFF | 1 | |
| 37 | 61N-45551-00-00 | PINION (13T) | 1 | |
| 38 | 90179-10M14-00 | NUT | 1 | |
| 39 | 93332-00005-00 | BEARING | 1 | |
| 40 | 6L2-45567-00-00 | SHIM (T:1.0MM) | 1 | UR |
| 40 | 6L2-45567-10-00 | SHIM (T:1.1MM) | 1 | UR |
| 40 | 6L2-45567-40-00 | SHIM (T:1.4MM) | 1 | UR |
| 40 | 6L2-45567-30-00 | SHIM (T:1.3MM) | 1 | UR |
| 40 | 6L2-45567-20-00 | SHIM (T:1.2MM) | 1 | UR |
| 41 | 61N-45560-10-00 | GEAR 1 (27T) | 1 | |
| 42 | 65W-45611-00-00 | SHAFT, PROPELLER | 1 | |
| 43 | 648-45635-00-00 | PLUNGER, SHIFT | 1 | |
| 44 | 664-45631-02-00 | CLUTCH, DOG | 1 | |

| | | | | |
|----|-----------------|---------------------|---|----------|
| 45 | 90250-05010-00 | PIN, STRAIGHT | 1 | |
| 46 | 648-45633-00-00 | RING, CROSS PIN | 1 | |
| 47 | 90501-10065-00 | SPRING, COMPRESSION | 1 | |
| 48 | 90201-20417-00 | WASHER, PLATE | 1 | |
| 49 | 61N-45571-00-00 | GEAR 2 (27T) | 1 | |
| 50 | 6L2-45577-00-00 | SHIM (T:1.0MM) | 1 | UR |
| 50 | 6L2-45577-30-00 | SHIM (T:1.3MM) | 1 | UR |
| 50 | 6L2-45577-20-00 | SHIM (T:1.2MM) | 1 | UR |
| 50 | 6L2-45577-10-00 | SHIM (T:1.1MM) | 1 | UR |
| 51 | 61N-45361-01-4D | CAP, LOWER CASING | 1 | |
| 52 | 93306-00612-00 | BEARING | 1 | |
| 53 | 93210-64ME7-00 | .O-RING | 1 | |
| 54 | 93315-22004-00 | BEARING | 1 | |
| 55 | 93101-20M07-00 | .OIL SEAL | 2 | |
| 56 | 93210-65M50-00 | .O-RING | 2 | |
| 57 | 97575-06520-00 | BOLT, WITH WASHER | 2 | |
| 58 | 65W-44150-01-00 | SHIFT CAM ASSY | 1 | S(16.6") |

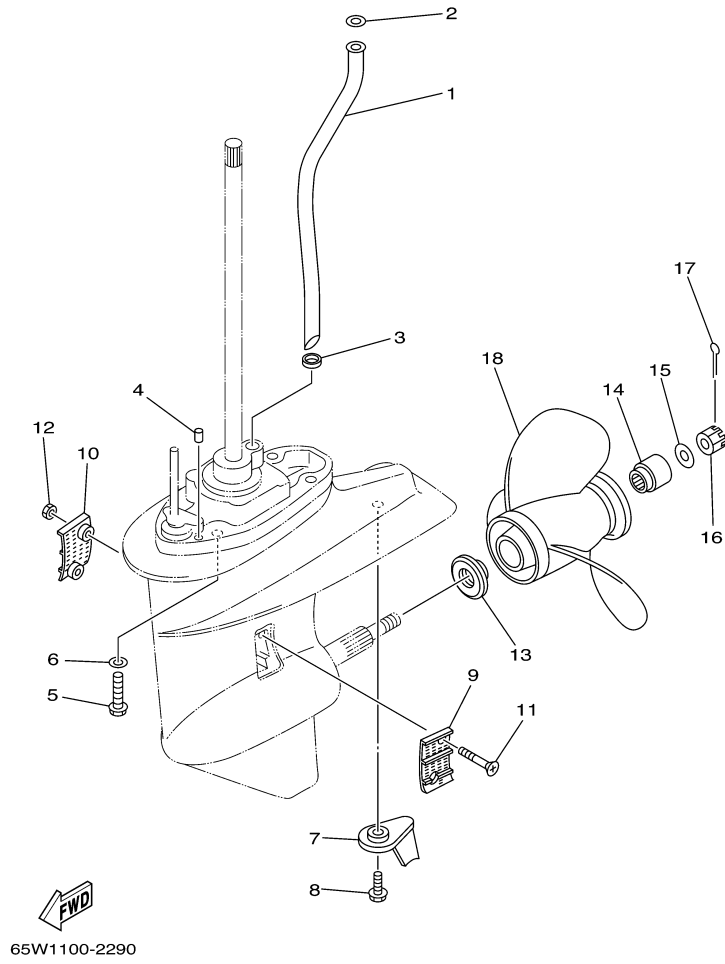
Part Notes

F25SEA 0410 / LOWER CASING DRIVE 1

| PART NUMBER | | NOTE TEXT |
|-----------------|---|--|
| 6H4-44352-02-00 |  | OEM: This part number is among the Top 100 Most Popular Marine Maintenance Parts as of March 2014. |
| 90430-08020-00 |  | OEM: This part number is among the Top 100 Most Popular Marine Maintenance Parts as of March 2014. |
| 90430-08020-00 |  | OEM: This part number is among the Top 100 Most Popular Marine Maintenance Parts as of March 2014. |

©2014 Yamaha Motor Corporation, U.S.A. All rights reserved.

F25SEA 0410 / LOWER CASING DRIVE 2



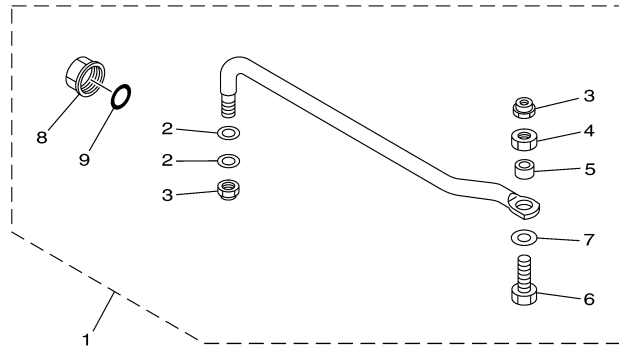
©2014 Yamaha Motor Corporation, U.S.A. All rights reserved.

Part List

F25SEA 0410 / LOWER CASING DRIVE 2

| REF - NO | PART NUMBER | PART NAME | QUANTITY | REMARKS |
|----------------|-----------------|--------------------------------|----------|----------|
| 1 | 65W-44361-02-00 | TUBE, WATER 1 | 1 | S(16.6") |
| 2 | 90202-12060-00 | WASHER, PLATE | 1 | |
| 3 | 90430-10002-00 | .GASKET | 1 | |
| 4 | 93606-11M24-00 | PIN, DOWEL | 2 | |
| 5 | 90105-10M12-00 | BOLT, FLANGE | 4 | |
| 6 | 92995-10600-00 | WASHER | 4 | |
| 7 | 61N-45371-00-00 | TAB-TRIM | 1 | |
| 8 | 90119-06M48-00 | BOLT, WITH WASHER | 1 | |
| 9 | 6L2-45214-00-00 | COVER, WATER INLET 1 | 1 | |
| 10 | 6L2-45215-00-00 | COVER, WATER INLET 2 | 1 | |
| 11 | 90151-05M05-00 | SCREW, COUNTERSUNK | 2 | |
| 12 | 90185-05002-00 | NUT, NYLON | 2 | |
| 13 | 6L2-45987-01-00 | SPACER 1 | 1 | |
| 14 | 689-45997-00-00 | SPACER 2 | 1 | |
| 15 | 92990-14200-00 | WASHER, PLAIN | 1 | |
| 16 | 90171-14013-00 | NUT, CASTLE | 1 | |
| 17 | 91490-30022-00 | PIN. COTTER | 1 | |
| 18 | 664-45941-01-EL | PROPELLER (3X9-7/8"X9"-F) | 1 | UR |
| 18 | 664-45943-01-EL | PROPELLER (3X9-7/8"X8"-F) | 1 | UR |
| 18 | 664-45945-00-EL | PROPELLER (3X9-7/8"X10-1/2"-F) | 1 | UR |
| 18 | 664-45947-01-EL | PROPELLER (3X9-7/8"X11-1/4"-F) | 1 | UR |
| 18 | 664-45954-01-EL | PROPELLER (3X9-7/8"X12"-F) | 1 | UR |
| 18 | 664-45952-00-EL | PROPELLER (3X9-7/8"X14"-F) | 1 | UR |
| 18 | 664-45970-00-98 | PROPELLER (3X9-1/8"X13"-F) | 1 | UR |
| 18 | 664-45972-00-98 | PROPELLER (3X9-1/8"X12"-F) | 1 | UR |
| 18 | 664-45949-02-EL | PROPELLER (3X9-7/8"X13"-F) | 1 | UR |

F25SEA 0410 / STEERING GUIDE



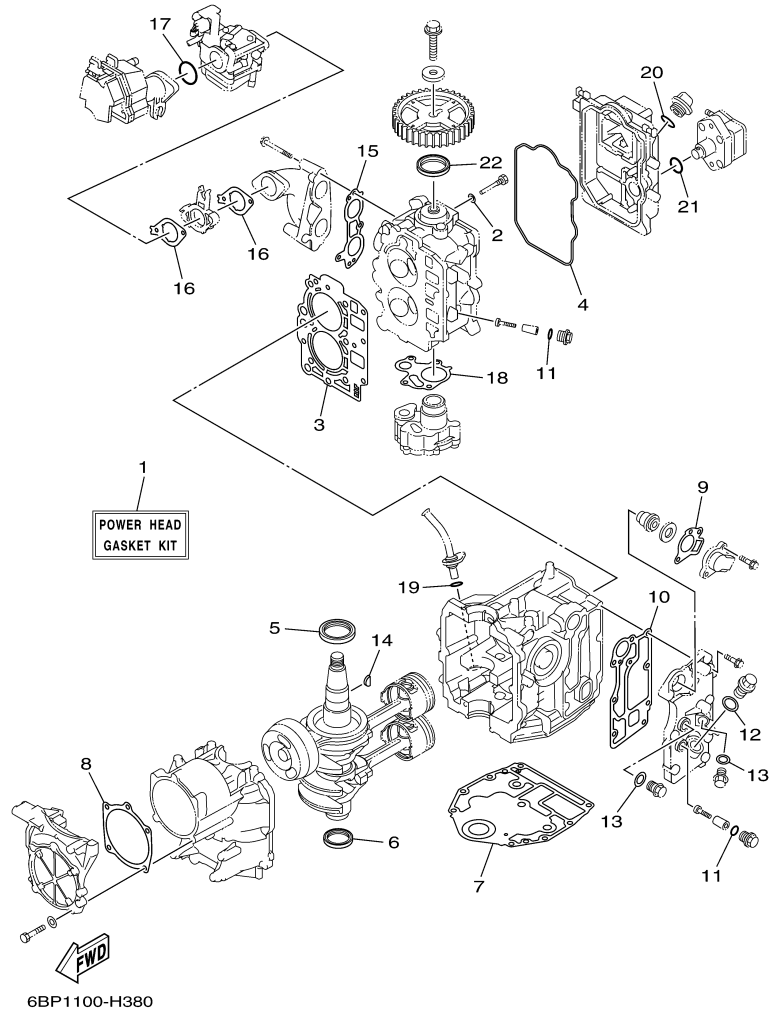
6BG1100-H340

Part List

F25SEA 0410 / STEERING GUIDE

| REF - NO | PART NUMBER | PART NAME | QUANTITY | REMARKS |
|----------------|-----------------|----------------------------------|----------|---------|
| 1 | 6BG-61350-00-00 | STEERING GUIDE ATTACHMENT KIT | 1 | AP |
| 2 | 90201-10M20-00 | .WASHER, PLATE | 2 | |
| 3 | 90185-09M01-00 | .NUT, SELF-LOCKING | 2 | |
| 4 | 90170-09M03-00 | .NUT | 1 | |
| 5 | 90387-10M42-00 | .COLLAR | 1 | |
| 6 | 90101-09M01-00 | .BOLT | 1 | |
| 7 | 90201-10M63-00 | .WASHER, PLATE | 1 | |
| 8 | 6E5-43145-01-00 | .CAP, CLAMP BRACKET | 1 | |
| 9 | 93210-16275-00 | .O-RING | 1 | |

F25SEA 0410 / REPAIR KIT 1



©2014 Yamaha Motor Corporation, U.S.A. All rights reserved.


Part List

F25SEA 0410 / REPAIR KIT 1

| REF - NO | PART NUMBER | PART NAME | QUANTITY | REMARKS |
|----------|-----------------|------------------------------|----------|---------|
| 1 | 6BL-W0001-00-00 | POWER HEAD GASKET KIT | 1 | |
| 2 | 90430-06014-00 | .GASKET | 1 | |
| 3 | 6BL-11181-00-00 | .GASKET, CYLINDER HEAD 1 | 1 | |
| 4 | 6BL-11356-00-00 | .SEAL, CYLINDER 2 | 1 | |
| 5 | 93102-43M42-00 | .OIL SEAL | 1 | |
| 6 | 93101-35002-00 | .OIL SEAL | 1 | |
| 7 | 6BG-11351-00-00 | .GASKET, CYLINDER | 1 | |
| 8 | 6BL-15663-00-00 | .SEAL | 1 | |
| 9 | 62Y-12414-00-00 | .GASKET, COVER | 1 | |
| 10 | 6BL-41114-00-00 | .GASKET, EXHAUST OUTER COVER | 1 | |
| 11 | 93210-13M63-00 | .O-RING | 3 | |
| 12 | 90430-18130-00 | .GASKET | 1 | |
| 13 | 90430-14115-00 | .GASKET | 2 | |
| 14 | 90280-03M01-00 | .KEY, WOODRUFF | 1 | |
| 15 | 6BL-13645-00-00 | .GASKET, MANIFOLD 1 | 1 | |
| 16 | 6BL-13646-00-00 | .GASKET, MANIFOLD 2 | 2 | |
| 17 | 93210-39ME4-00 | .O-RING | 1 | |
| 18 | 6C5-13329-00-00 | .GASKET, PUMP COVER | 1 | |
| 19 | 93210-19MJ3-00 | .O-RING | 1 | |
| 20 | 93210-24M79-00 | .O-RING | 1 | |
| 21 | 93210-24M79-00 | .O-RING | 1 | |
| 22 | 93102-37M40-00 | .OIL SEAL | 1 | |

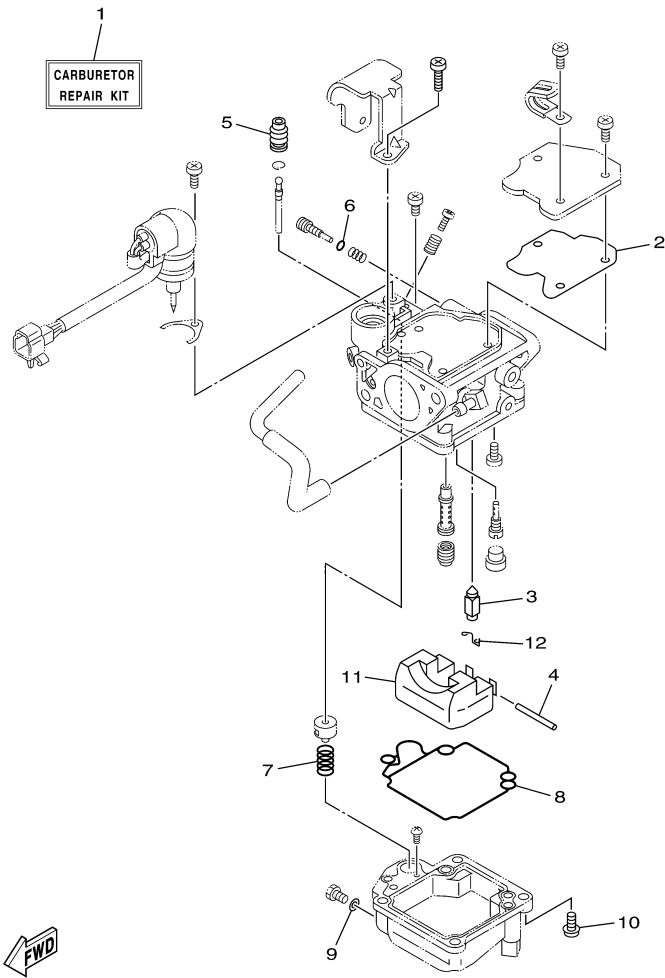
Part Notes

F25SEA 0410 / REPAIR KIT 1

| PART NUMBER | NOTE TEXT |
|---|--|
| 62Y-12414-00-00  | OEM: This part number is among the Top 100 Most Popular Marine Maintenance Parts as of March 2014. |

©2014 Yamaha Motor Corporation, U.S.A. All rights reserved.

F25SEA 0410 / REPAIR KIT 2



6BP1100-H390

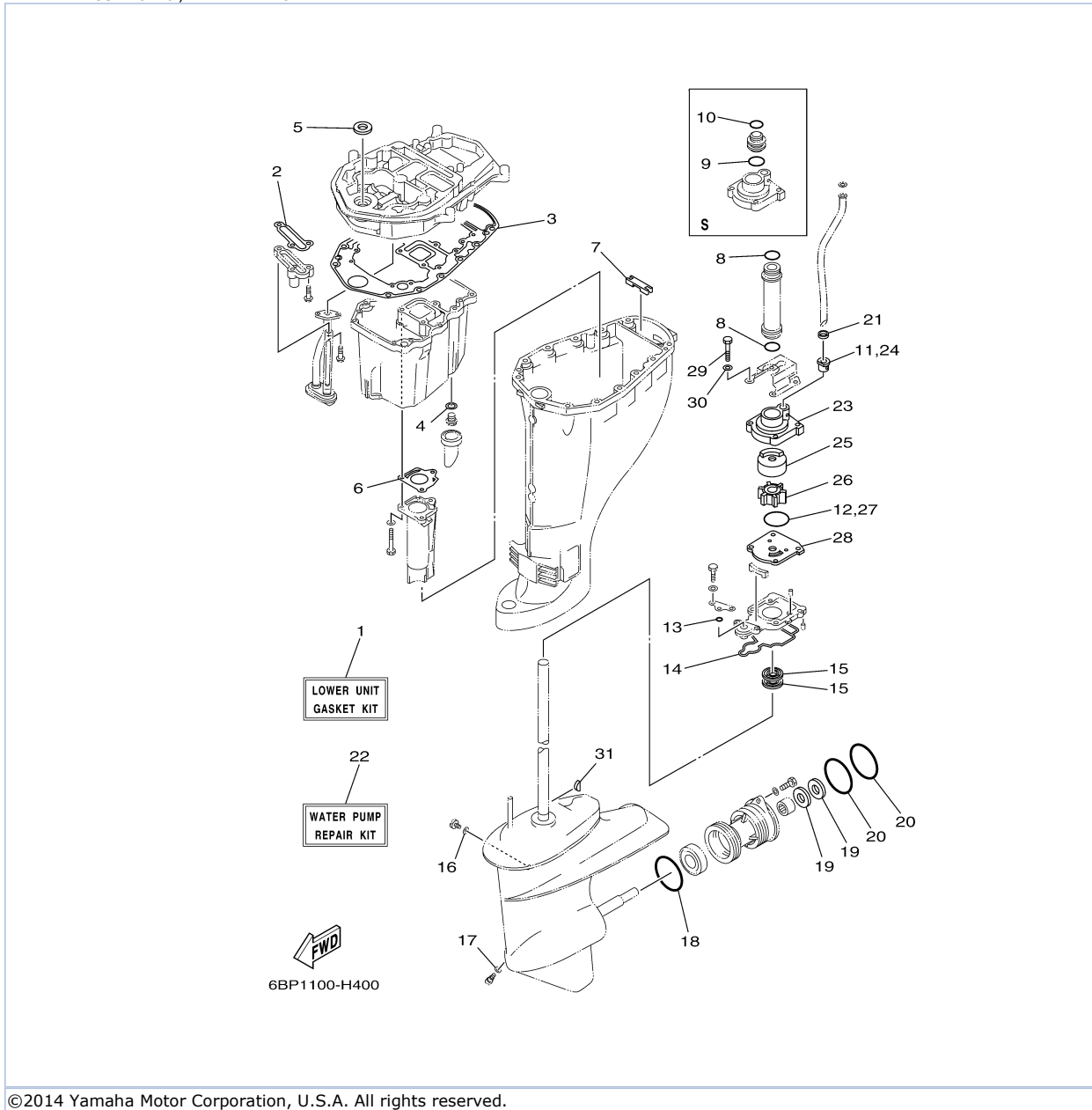
©2014 Yamaha Motor Corporation, U.S.A. All rights reserved.

Part List

F25SEA 0410 / REPAIR KIT 2

| REF - NO | PART NUMBER | PART NAME | QUANTITY | REMARKS |
|----------------|-----------------|------------------------|----------|---------|
| 1 | 6BL-W0093-00-00 | CARBURETOR REPAIR KIT | 1 | |
| 2 | 65W-14126-10-00 | .GASKET | 1 | |
| 3 | 6AH-14546-00-00 | .VALVE, NEEDLE | 1 | |
| 4 | 6H4-14548-00-00 | .PIN, FLOAT ARM | 1 | |
| 5 | 65W-14373-02-00 | .COVER, PLUNGER CAP | 1 | |
| 6 | 67C-14397-00-00 | .O-RING | 1 | |
| 7 | 65W-14335-00-00 | .SPRING, PLUNGER | 1 | |
| 8 | 65W-14384-00-00 | .GASKET, FLOAT CHAMBER | 1 | |
| 9 | 65W-14398-00-00 | .GASKET | 1 | |
| 10 | 97980-04114-00 | .SCREW, WITH WASHER | 4 | |
| 11 | 63V-14985-00-00 | .FLOAT | 1 | |
| 12 | 663-14159-00-00 | .CLIP | 1 | |

F25SEA 0410 / REPAIR KIT 3



©2014 Yamaha Motor Corporation, U.S.A. All rights reserved.





Part List

F25SEA 0410 / REPAIR KIT 3

| REF - NO | PART NUMBER | PART NAME | QUANTITY | REMARKS |
|----------|-----------------|-----------------------------|----------|----------|
| 1 | 65W-W0001-23-00 | LOWER UNIT GASKET KIT | 1 | |
| 2 | 62Y-13475-00-00 | .GASKET | 1 | |
| 3 | 69W-15312-00-00 | .GASKET, OIL PAN | 1 | |
| 4 | 90430-14M09-00 | .GASKET | 1 | |
| 5 | 93110-16004-00 | .OIL SEAL | 1 | |
| 6 | 67C-41133-00-00 | .GASKET, EXHAUST MANIFOLD 1 | 1 | |
| 7 | 65W-45128-00-00 | .SEAL 2 | 1 | |
| 8 | 93210-26130-00 | .O-RING | 2 | L(21.6") |
| 9 | 93210-26130-00 | .O-RING | 1 | S(16.6") |
| 10 | 93210-22164-00 | .O-RING | 1 | S(16.6") |
| 11 | 6L2-44367-00-00 | .DAMPER, WATER SEAL 3 | 1 | |
| 12 | 93210-45161-00 | .O-RING | 1 | |
| 13 | 93210-06ME6-00 | .O-RING | 1 | |
| 14 | 61N-45315-00-00 | .PACKING, LOWER CASING | 1 | |
| 15 | 93101-22067-00 | .OIL SEAL | 2 | |
| 16 | 90430-08020-00 | .GASKET | 1 | |
| 17 | 90430-08020-00 | .GASKET | 1 | |
| 18 | 93210-64ME7-00 | .O-RING | 1 | |
| 19 | 93101-20M07-00 | .OIL SEAL | 2 | |
| 20 | 93210-65M50-00 | .O-RING | 2 | |
| 21 | 90430-10002-00 | .GASKET | 1 | |
| 22 | 61N-W0078-11-00 | WATER PUMP REPAIR KIT | 1 | |
| 23 | 61N-44311-01-00 | .HOUSING, WATER PUMP | 1 | |
| 24 | 6L2-44367-00-00 | .DAMPER, WATER SEAL 3 | 1 | |
| 25 | 61N-44322-01-00 | .INSERT, CARTRIDGE | 1 | |
| 26 | 6H4-44352-02-00 | .IMPELLER | 1 | |
| 27 | 93210-45161-00 | .O-RING | 1 | |
| 28 | 61N-44323-00-00 | .OUTER PLATE, CARTRIDGE | 1 | |
| 29 | 97095-06040-00 | .BOLT | 4 | |
| 30 | 92995-06600-00 | .WASHER | 4 | |
| 31 | 90280-03024-00 | .KEY, WOODRUFF | 1 | |

Part Notes

F25SEA 0410 / REPAIR KIT 3

| PART NUMBER | | NOTE TEXT |
|-----------------|---|--|
| 90430-14M09-00 |  | OEM: This part number is among the Top 100 Most Popular Marine Maintenance Parts as of March 2014. |
| 90430-08020-00 |  | OEM: This part number is among the Top 100 Most Popular Marine Maintenance Parts as of March 2014. |
| 90430-08020-00 |  | OEM: This part number is among the Top 100 Most Popular Marine Maintenance Parts as of March 2014. |
| 6H4-44352-02-00 |  | OEM: This part number is among the Top 100 Most Popular Marine Maintenance Parts as of March 2014. |

©2014 Yamaha Motor Corporation, U.S.A. All rights reserved.

©2014 Yamaha Motor Corporation, U.S.A. All rights reserved.