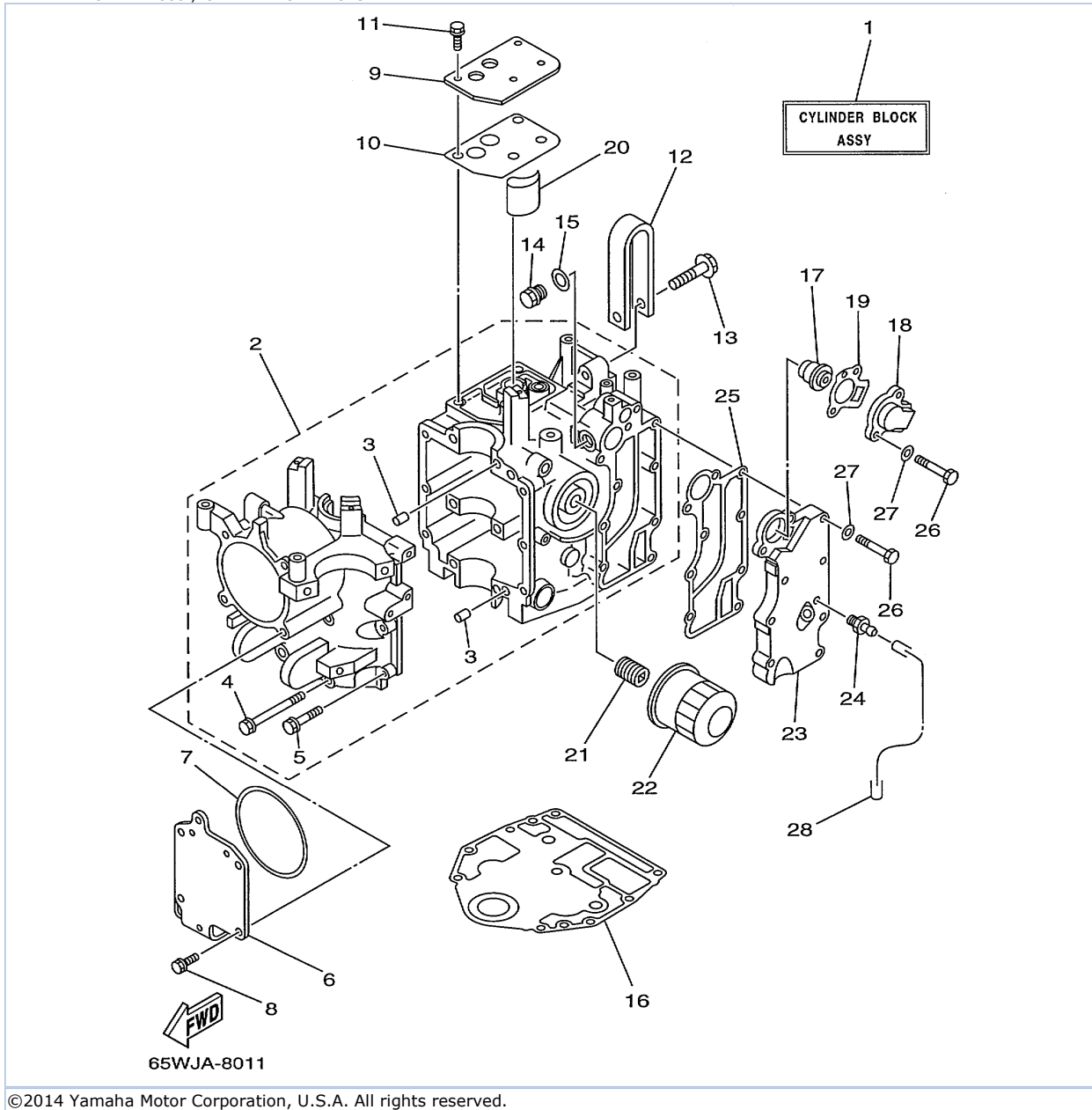


F25MLHX 1999 / CYLINDER CRANKCASE 1




Part List

F25MLHX 1999 / CYLINDER CRANKCASE 1

| REF - NO | PART NUMBER | PART NAME | QUANTITY | REMARKS |
|----------------|-----------------|---------------------------------|----------|---------|
| 1 | 65W-W009B-00-4D | CYLINDER BLOCK ASSY | 1 | |
| 2 | 65W-15100-00-94 | CRANKCASE ASSY | 1 | |
| 3 | 99530-08012-00 | .PIN, DOWEL | 2 | |
| 4 | 90119-08M01-00 | .BOLT, WITH WASHER | 6 | |
| 5 | 97513-06535-00 | .BOLT, WITH WASHER | 6 | |
| 6 | 65W-15121-00-00 | CRANKCASE 2 | 1 | |
| 7 | 65W-15663-00-00 | .SEAL | 1 | |
| 8 | 65W-12228-00-00 | BOLT | 4 | |
| 9 | 65W-11168-00-00 | COVER, BREATHER | 1 | |
| 10 | 65W-11169-00-00 | GASKET, BREATHER COVER | 1 | |
| 11 | 65W-12228-00-00 | BOLT | 4 | |
| 12 | 65W-11119-00-00 | HANGER, ENGINE | 1 | |
| 13 | 90105-08M87-00 | BOLT, FLANGE | 1 | |
| 14 | 90340-14M06-00 | PLUG, STRAIGHT SCREW | 1 | |
| 15 | 90430-14115-00 | .GASKET | 1 | |
| 16 | 65W-11351-00-00 | GASKET, CYLINDER | 1 | |
| 17 | 6G8-12411-02-00 | THERMOSTAT | 1 | |
| 18 | 6H3-12413-00-9M | COVER, THERMOSTAT | 1 | |
| 19 | 62Y-12414-00-00 | .GASKET, COVER | 1 | |
| 20 | 65W-13286-00-00 | CLEANER | 1 | |
| 21 | 90401-20M00-00 | BOLT, UNION | 1 | |
| 22 | 3FV-13440-00-00 | ELEMENT ASSY, OIL CLEANER | 1 | |
| 23 | 65W-41113-00-94 | OUTER COVER, EXHAUST | 1 | |
| 24 | 62Y-12481-00-00 | PIPE 1 | 1 | |
| 25 | 65W-41114-00-00 | .GASKET, EXHAUST OUTER COVER | 1 | |
| 26 | 97013-06035-00 | BOLT | 9 | |
| 27 | 92903-06600-00 | WASHER, PLATE | 9 | |
| 28 | 90445-09252-00 | HOSE | 1 | |

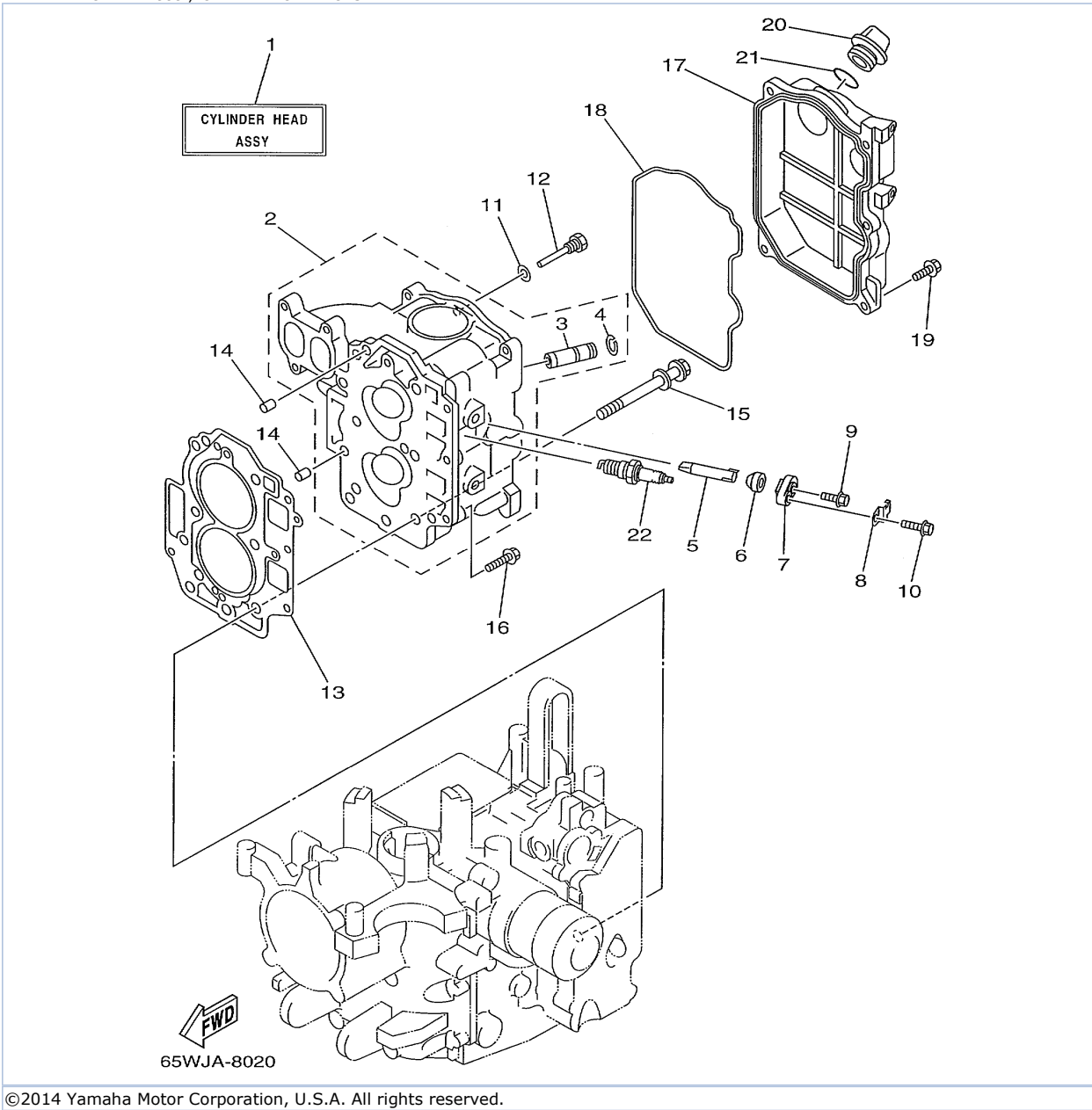
Part Notes

F25MLHX 1999 / CYLINDER CRANKCASE 1

| PART NUMBER | NOTE TEXT |
|---|--|
| 62Y-12414-00-00  | OEM: This part number is among the Top 100 Most Popular Marine Maintenance Parts as of March 2014. |

©2014 Yamaha Motor Corporation, U.S.A. All rights reserved.

F25MLHX 1999 / CYLINDER CRANKCASE 2



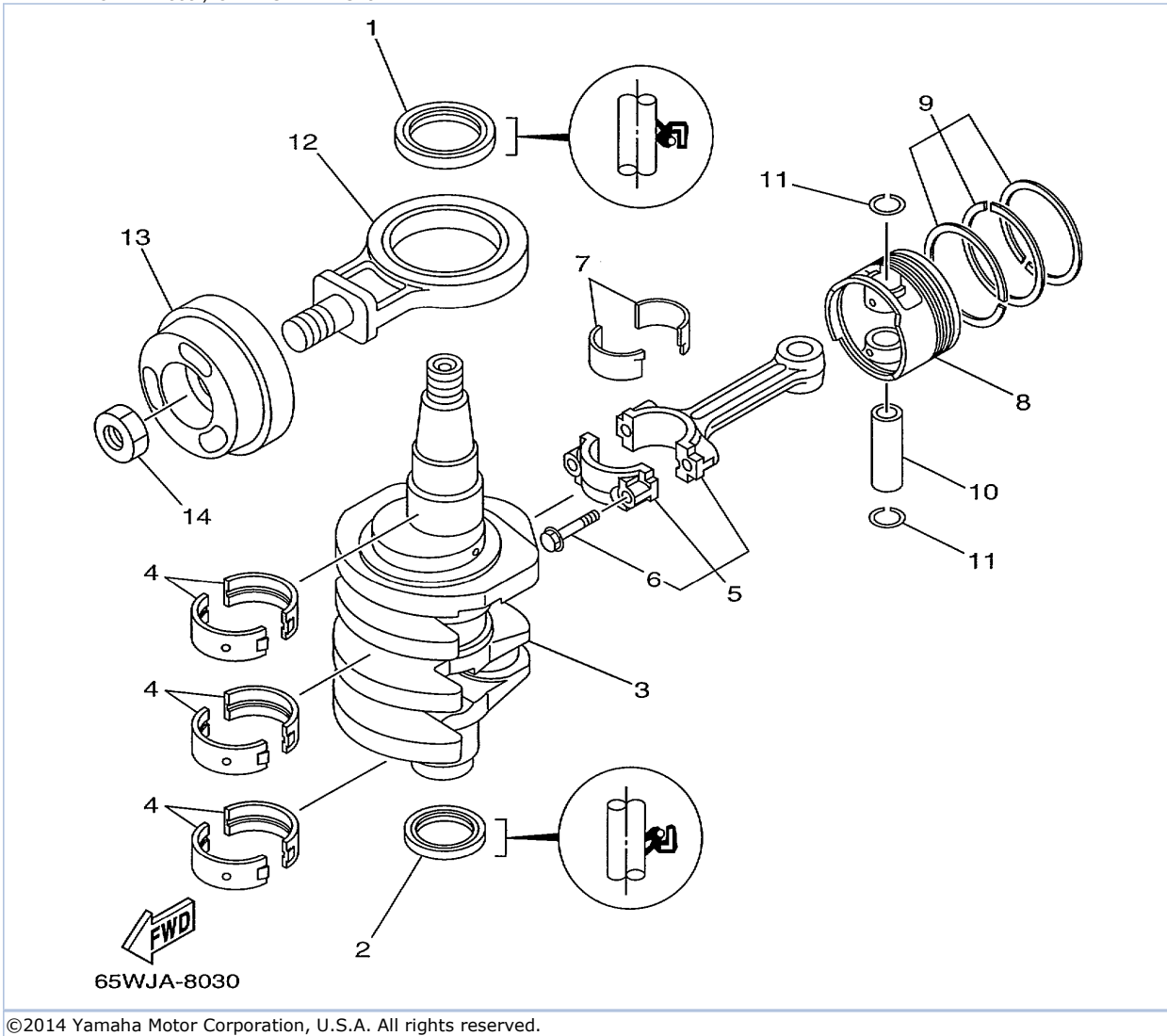
©2014 Yamaha Motor Corporation, U.S.A. All rights reserved.

Part List

F25MLHX 1999 / CYLINDER CRANKCASE 2

| REF - NO | PART NUMBER | PART NAME | QUANTITY | REMARKS |
|----------------|-----------------|----------------------------|----------|---------|
| 1 | 65W-W009A-11-4D | CYLINDER HEAD COMPLETE | 1 | |
| 2 | 65W-11111-00-94 | HEAD, CYLINDER 1 | 1 | |
| 3 | 62Y-11133-10-00 | .GUIDE, VALVE 1 | 4 | |
| 4 | 93450-09M01-00 | .CIRCLIP | 4 | |
| 5 | 62Y-11325-00-00 | ANODE | 2 | |
| 6 | 66M-11328-00-00 | GROMMET, ANODE | 2 | |
| 7 | 66M-11327-00-94 | COVER, ANODE | 2 | |
| 8 | 66M-12535-00-00 | PLATE | 2 | |
| 9 | 97595-05512-00 | BOLT, WITH WASHER | 2 | |
| 10 | 97513-06520-00 | BOLT, WITH WASHER | 2 | |
| 11 | 90430-06014-00 | .GASKET | 1 | |
| 12 | 90109-06M65-00 | BOLT | 1 | |
| 13 | 65W-11181-10-00 | GASKET, CYLINDER HEAD 1 | 1 | |
| 14 | 99530-08012-00 | PIN, DOWEL | 2 | |
| 15 | 90119-09M00-00 | BOLT, WITH WASHER | 6 | |
| 16 | 97513-06525-00 | BOLT, WITH WASHER | 3 | |
| 17 | 65W-11191-00-94 | COVER, CYLINDER HEAD 1 | 1 | |
| 18 | 65W-11356-00-00 | .SEAL, CYLINDER 2 | 1 | |
| 19 | 97513-06520-00 | BOLT, WITH WASHER | 5 | |
| 20 | 6G8-15363-00-00 | PLUG, OIL | 1 | |
| 21 | 93210-24M79-00 | .O-RING | 1 | |
| 22 | NGK-DPR6E-A9-00 | PLUG, SPARK (NGK DPR6EA-9) | 2 | |

F25MLHX 1999 / CRANKSHAFT PISTON



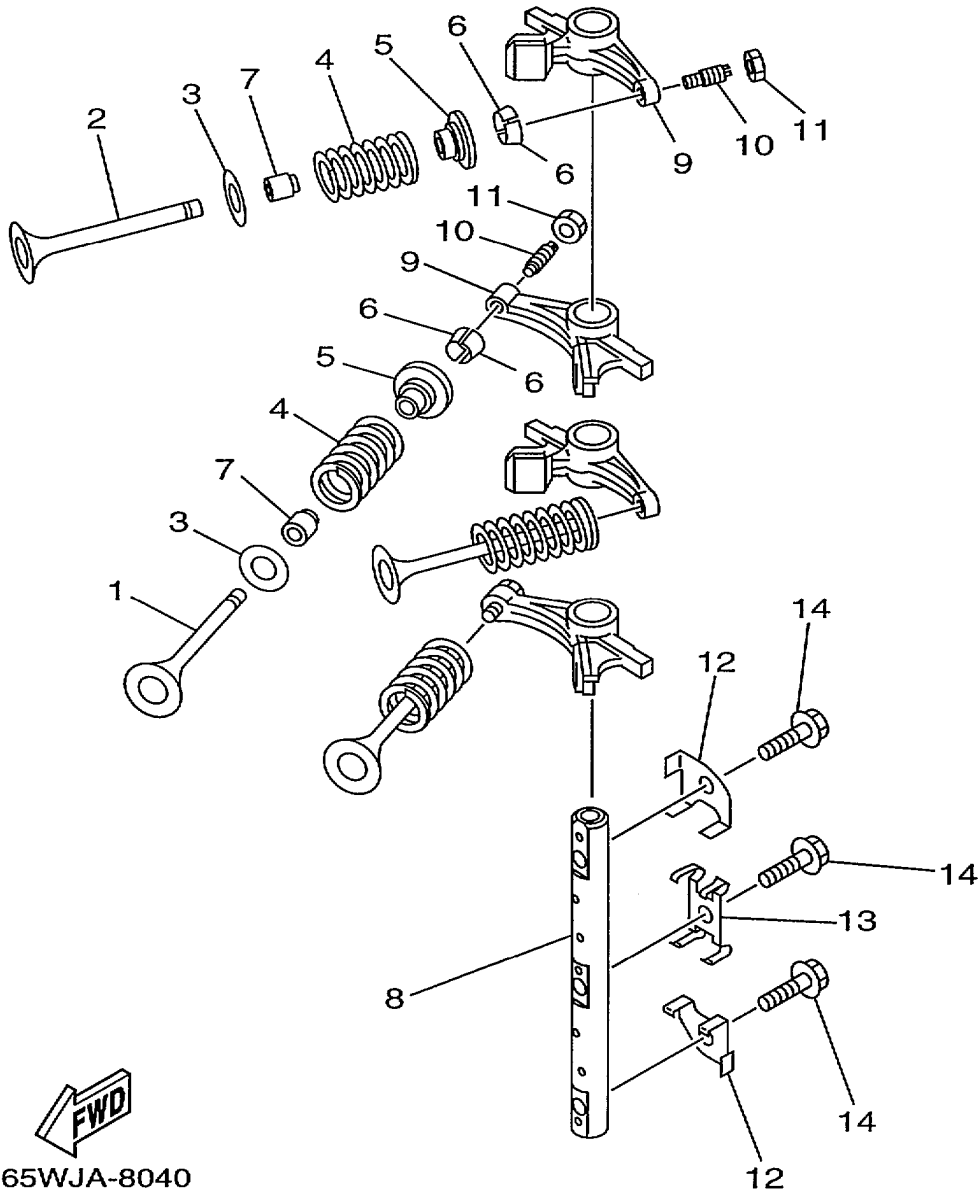
©2014 Yamaha Motor Corporation, U.S.A. All rights reserved.

Part List

F25MLHX 1999 / CRANKSHAFT PISTON

| REF - NO | PART NUMBER | PART NAME | QUANTITY | REMARKS |
|----------------|-----------------|----------------------------------|----------|----------|
| 1 | 93102-43M42-00 | .OIL SEAL | 1 | |
| 2 | 93102-35M47-00 | .OIL SEAL | 1 | |
| 3 | 65W-11411-01-00 | CRANKSHAFT | 1 | |
| 4 | 62Y-11416-00-00 | PLANE BEARING, CRANKSHAFT 1 | 6 | UR BROWN |
| 4 | 62Y-11416-10-00 | PLANE BEARING, CRANKSHAFT 1 | 6 | UR BLACK |
| 4 | 62Y-11416-20-00 | PLANE BEARING, CRANKSHAFT 1 | 6 | UR BLUE |
| 5 | 62Y-11650-00-00 | CONNECTING ROD ASSEMBLY | 2 | |
| 6 | 62Y-11654-00-00 | .BOLT, CONNECTING ROD | 2 | |
| 7 | 62Y-11656-10-00 | PLANE BEARING, CONNECTING ROD | 4 | UR BLACK |
| 7 | 62Y-11656-00-00 | PLANE BEARING, CONNECTING ROD | 4 | UR BROWN |
| 7 | 62Y-11656-20-00 | PLANE BEARING, CONNECTING ROD | 4 | UR BLUE |
| 8 | 65W-11631-00-96 | PISTON (STD) | 2 | |
| 8 | 65W-11636-00-00 | PISTON (0.50MM O/S) | 2 | AP |
| 9 | 65W-11603-00-00 | PISTON RING SET (STD) | 2 | |
| 9 | 65W-11605-00-00 | PISTON RING SET (0.50MM O/S) | 2 | AP |
| 10 | 62Y-11633-00-00 | PIN, PISTON | 2 | |
| 11 | 93450-17129-00 | CIRCLIP | 4 | |
| 12 | 65W-11665-00-00 | CON-ROD ASSY, BALANCE | 1 | |
| 13 | 65W-11642-11-00 | PISTON, BALANCE | 1 | |
| 14 | 90170-20137-00 | NUT | 1 | |

F25MLHX 1999 / VALVE



65WJA-8040

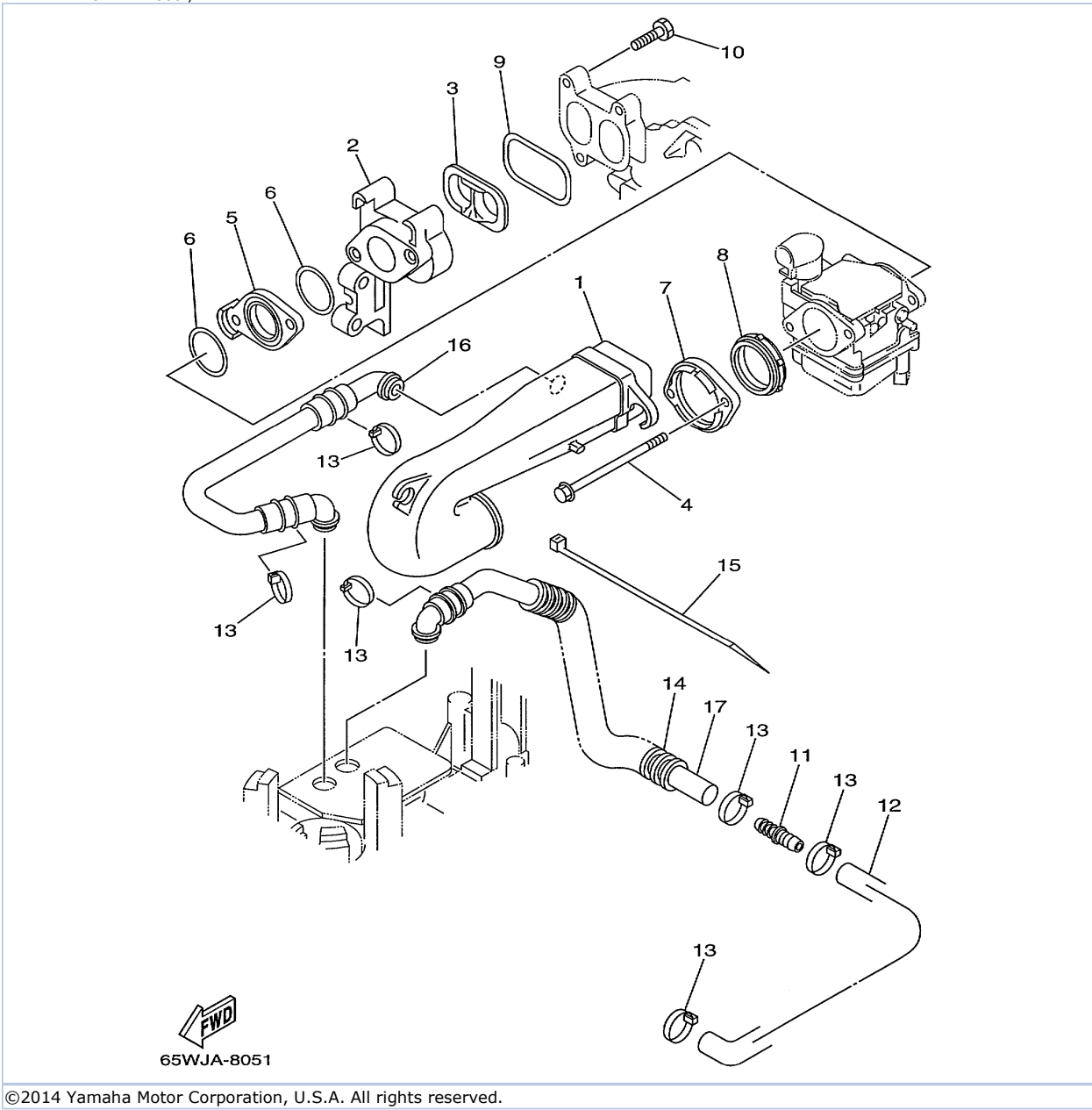
©2014 Yamaha Motor Corporation, U.S.A. All rights reserved.

Part List

F25MLHX 1999 / VALVE

| REF - NO | PART NUMBER | PART NAME | QUANTITY | REMARKS |
|----------------|-----------------|--------------------------------|----------|---------|
| 1 | 65W-12111-00-00 | VALVE, INTAKE | 2 | |
| 2 | 62Y-12121-00-00 | VALVE, EXHAUST | 2 | |
| 3 | 62Y-12116-00-00 | SEAT, VALVE SPRING | 4 | |
| 4 | 51Y-12114-00-00 | SPRING, VALVE OUTER | 4 | |
| 5 | 30X-12117-00-00 | RETAINER, VALVE SPRING | 4 | |
| 6 | 30X-12118-00-00 | LOCK, VALVE SPRING RETAINER | 8 | |
| 7 | 51Y-12119-00-00 | SEAL, VALVE STEM | 4 | |
| 8 | 65W-12146-00-00 | SHAFT, ROCKER | 1 | |
| 9 | 65W-12151-00-00 | ARM, VALVE ROCKER | 4 | |
| 10 | 62Y-12159-00-00 | SCREW, VALVE ADJUSTING | 4 | |
| 11 | 62Y-12158-00-00 | NUT, LOCK | 4 | |
| 12 | 62Y-12238-00-00 | PLATE, BOLT STOPPER | 2 | |
| 13 | 62Y-12216-00-00 | SPRING | 1 | |
| 14 | 90109-08M63-00 | BOLT | 3 | |

F25MLHX 1999 / INTAKE

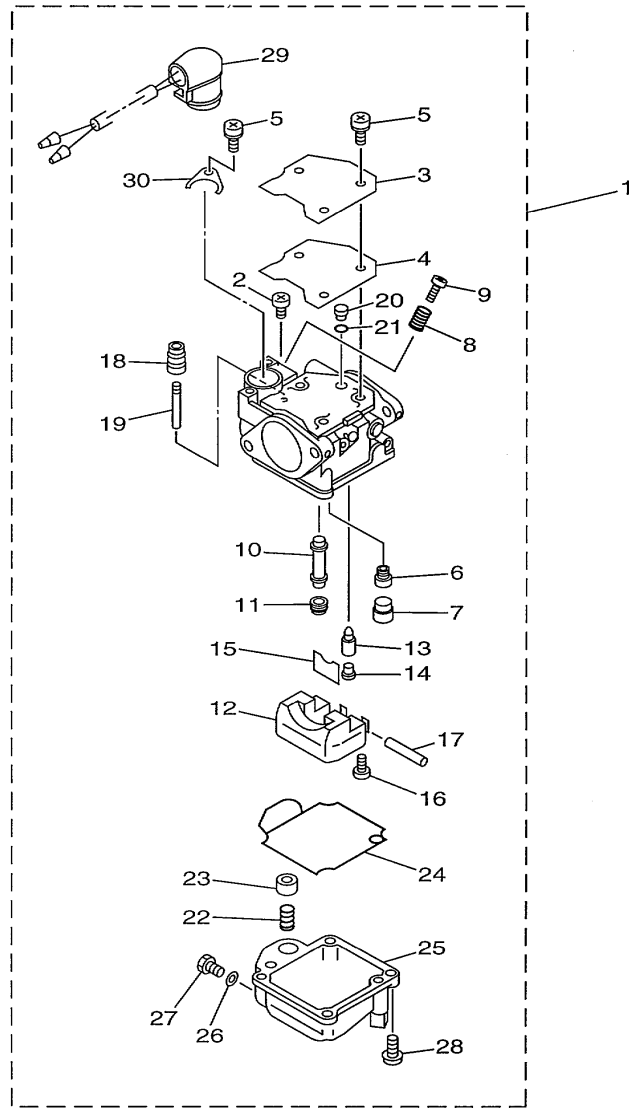


Part List

F25MLHX 1999 / INTAKE

| REF - NO | PART NUMBER | PART NAME | QUANTITY | REMARKS |
|----------------|-----------------|-----------------------|----------|---------|
| 1 | 65W-14440-00-00 | SILENCER ASSY, INTAKE | 1 | |
| 2 | 65W-13640-00-00 | MANIFOLD | 1 | |
| 3 | 65W-13323-00-00 | INSERT | 1 | |
| 4 | 65W-14496-00-00 | BOLT | 2 | |
| 5 | 65W-14271-00-00 | INSULATOR | 1 | |
| 6 | 65W-14198-00-00 | .GASKET | 2 | |
| 7 | 65W-14262-00-00 | FLANGE | 1 | |
| 8 | 65W-14457-10-00 | .SEAL | 1 | |
| 9 | 65W-13645-00-00 | .GASKET, MANIFOLD 1 | 1 | |
| 10 | 97595-06525-00 | BOLT, WITH WASHER | 3 | |
| 11 | 65W-24377-00-00 | PIPE, JOINT 3 | 1 | |
| 12 | 65W-15397-10-00 | HOSE | 1 | |
| 13 | 90465-13M36-00 | CLAMP | 6 | |
| 14 | 90446-24M54-00 | HOSE (L260) | 1 | |
| 15 | 90465-11M52-00 | CLAMP | 1 | |
| 16 | 65W-15370-00-00 | BREATHER ASSY | 1 | |
| 17 | 65W-15370-10-00 | BREATHER ASSY | 1 | |

F25MLHX 1999 / CARBURETOR




65WJA-8060

©2014 Yamaha Motor Corporation, U.S.A. All rights reserved.



Part List

F25MLHX 1999 / CARBURETOR

| REF - NO | PART NUMBER | PART NAME | QUANTITY | REMARKS |
|----------|-----------------|------------------------|----------|---------|
| 1 | 65W-14901-00-00 | CARBURETOR ASSY 1 | 1 | UR |
| 1 | 65W-14901-10-00 | CARBURETOR ASSY 1 | 1 | UR |
| 2 | 98580-04006-00 | .SCREW, PAN HEAD | 1 | |
| 3 | 65W-14572-00-00 | .PLATE | 1 | |
| 4 | 65W-14126-00-00 | .GASKET | 1 | |
| 5 | 97803-04010-00 | .SCREW, PAN HEAD | 4 | |
| 6 | 676-14948-07-00 | .JET (#50) | 1 | |
| 7 | 679-14966-00-00 | .RUBBER CAP | 1 | |
| 8 | 90501-10326-00 | .SPRING, COMPRESSION | 1 | |
| 9 | 63V-14523-00-00 | .SCREW, STOP | 1 | |
| 10 | 65W-14947-00-00 | .JET, NEEDLE | 1 | |
| 11 | 65W-14943-29-00 | .JET, MAIN (#112) | 1 | |
| 12 | 63V-14985-00-00 | .FLOAT | 1 | |
| 13 | 6G1-14546-00-00 | .VALVE, NEEDLE | 1 | |
| 14 | 676-14186-00-00 | .PIN, FLOAT | 1 | |
| 15 | 663-14159-00-00 | .CLIP | 1 | |
| 16 | 98580-04008-00 | .SCREW, PAN HEAD | 1 | |
| 17 | 6H4-14548-00-00 | .PIN, FLOAT ARM | 1 | |
| 18 | 65W-14373-00-00 | .COVER, PLUNGER CAP | 1 | |
| 19 | 65W-14379-00-00 | .ROD, STARTER | 1 | |
| 20 | 65W-1414F-00-00 | .JET, PILOT (#52) | 1 | |
| 21 | 65W-14147-00-00 | .O-RING | 1 | |
| 22 | 65W-14335-00-00 | .SPRING, PLUNGER | 1 | |
| 23 | 65W-14371-00-00 | .PLUNGER, STARTER | 1 | |
| 24 | 65W-14384-00-00 | .GASKET, FLOAT CHAMBER | 1 | |
| 25 | 65W-14980-00-00 | .BODY, FLOAT CHAMBER | 1 | UR |
| 25 | 65W-14980-20-00 | .BODY, FLOAT CHAMBER | 1 | UR |
| 26 | 65W-14398-00-00 | .GASKET | 1 | |
| 27 | 65W-14992-00-00 | .SCREW, DRAIN | 1 | |
| 28 | 97980-04114-00 | .SCREW, WITH WASHER | 4 | |
| 29 | 65W-14380-00-00 | .PRIME STARTER ASSY | 1 | UR |
| 29 | 65W-14380-20-00 | .PRIME STARTER ASSY | 1 | UR |
| 30 | 65W-14346-00-00 | .PLATE | 1 | |

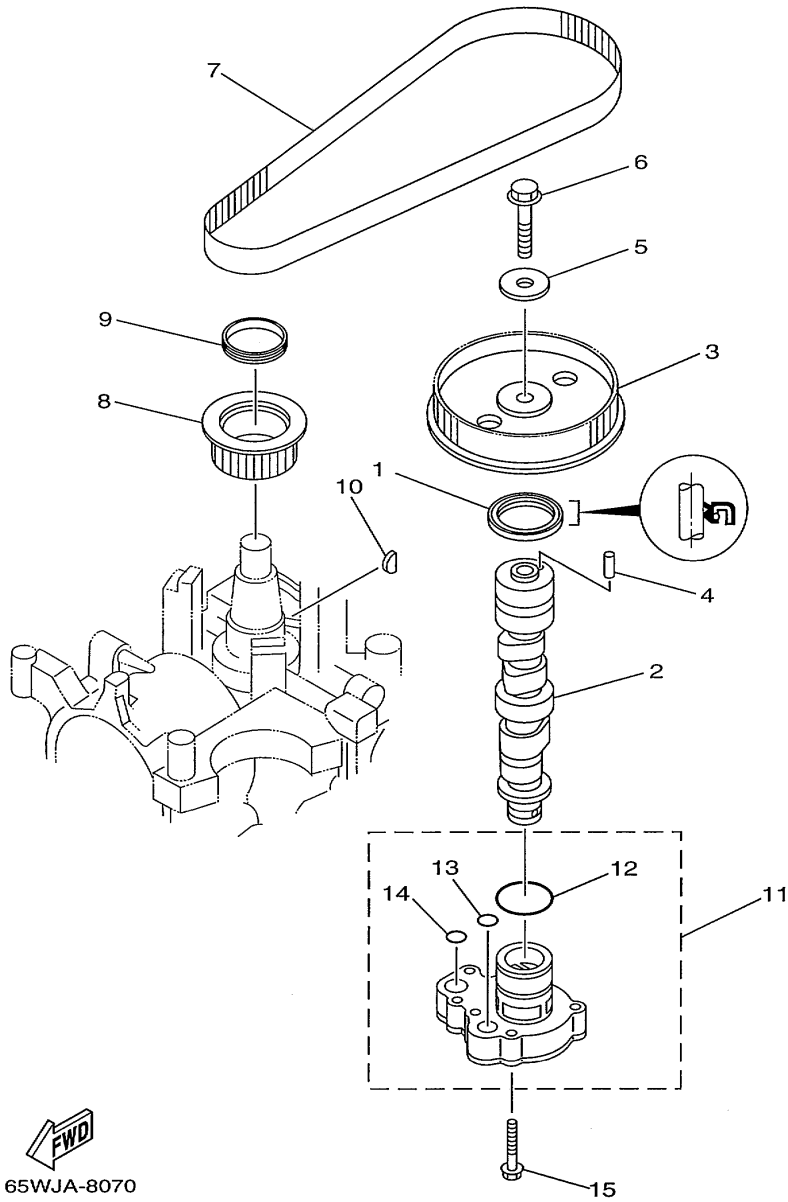
Part Notes

F25MLHX 1999 / CARBURETOR

| PART NUMBER | NOTE TEXT |
|-----------------|---|
| 65W-14380-00-00 |  OEM: The O-Ring for sealing this part to the carburetor body is not shown separately. The Part Number for the O-Ring is 93210-17001-00. |
| 65W-14380-20-00 |  OEM: The O-Ring for sealing this part to the carburetor body is not shown separately. The Part Number for the O-Ring is 93210-17001-00. |

©2014 Yamaha Motor Corporation, U.S.A. All rights reserved.

F25MLHX 1999 / OIL PUMP



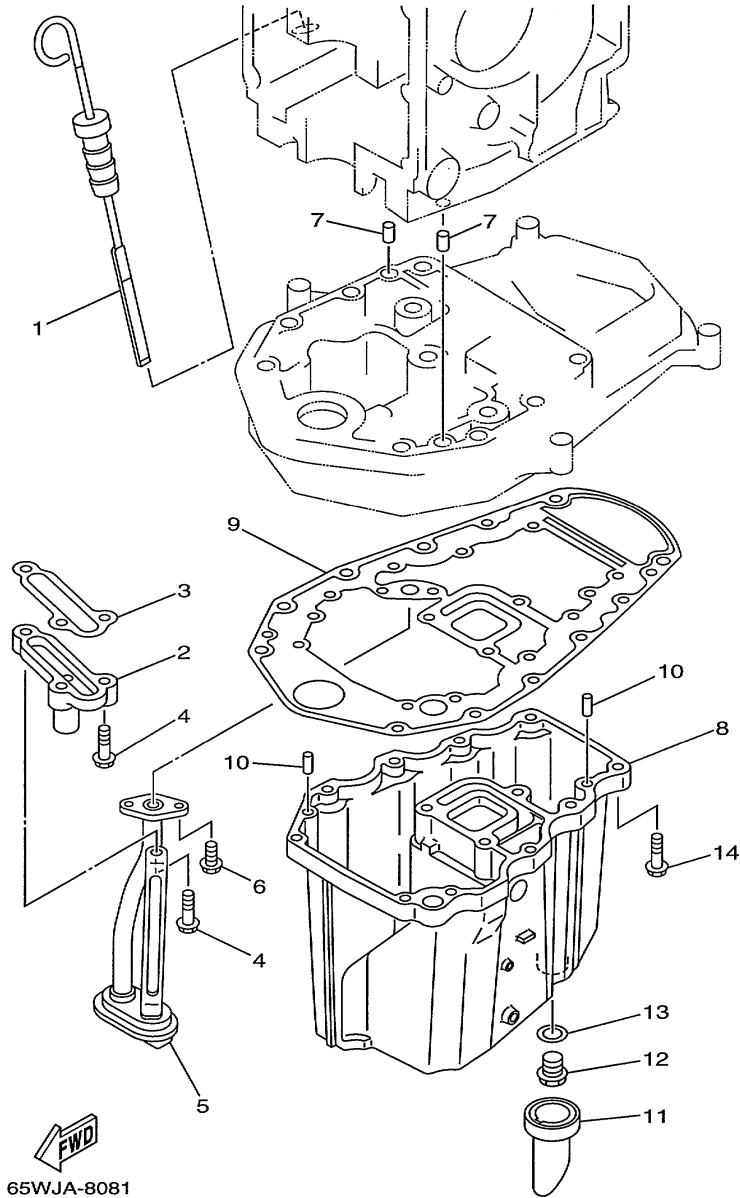

65WJA-8070

Part List

F25MLHX 1999 / OIL PUMP

| REF - NO | PART NUMBER | PART NAME | QUANTITY | REMARKS |
|----------------|-----------------|-------------------|----------|-----------------------------------|
| 1 | 93102-37M40-00 | .OIL SEAL | 1 | |
| 2 | 65W-12170-10-00 | CAMSHAFT ASSY 1 | 1 | UR MH COMPONENT OF CYL. HEAD ASSY |
| 2 | 65W-12171-00-00 | CAMSHAFT 1 | 1 | UR EH_ER_TRX |
| 3 | 65W-11537-00-00 | GEAR, DRIVEN | 1 | |
| 4 | 93605-14143-00 | PIN, DOWEL | 1 | |
| 5 | 90201-10M06-00 | WASHER, PLATE | 1 | |
| 6 | 95895-10040-00 | BOLT, FLANGE | 1 | |
| 7 | 65W-46241-00-00 | V-BELT | 1 | |
| 8 | 65W-11536-00-00 | GEAR, DRIVE | 1 | |
| 9 | 65W-11476-00-00 | SPRING | 1 | |
| 10 | 90280-04M06-00 | KEY, WOODRUFF | 1 | |
| 11 | 65W-13300-00-00 | OIL PUMP ASSY | 1 | |
| 12 | 93210-33MH2-00 | .O-RING | 1 | |
| 13 | 93210-12MG9-00 | .O-RING | 1 | |
| 14 | 93210-14515-00 | .O-RING | 1 | |
| 15 | 97513-06535-00 | BOLT, WITH WASHER | 4 | |

F25MLHX 1999 / OIL PAN




65WJA-8081

©2014 Yamaha Motor Corporation, U.S.A. All rights reserved.


Part List

F25MLHX 1999 / OIL PAN

| REF - NO | PART NUMBER | PART NAME | QUANTITY | REMARKS |
|----------------|-----------------|----------------------|----------|---------|
| 1 | 65W-15362-01-00 | PLUG, OIL LEVEL | 1 | |
| 2 | 62Y-11575-00-00 | RELIEF VALVE ASSY | 1 | |
| 3 | 62Y-13475-00-00 | .GASKET | 1 | |
| 4 | 97513-06525-00 | BOLT, WITH WASHER | 3 | |
| 5 | 65W-13411-00-00 | STRAINER, OIL | 1 | |
| 6 | 97513-06516-00 | BOLT, WITH WASHER | 2 | |
| 7 | 93608-12M05-00 | PIN, DOWEL | 2 | |
| 8 | 65W-15311-01-5B | OIL PAN | 1 | |
| 9 | 62Y-15312-00-00 | GASKET, OIL PAN | 1 | |
| 10 | 93606-12019-00 | .PIN, DOWEL | 4 | |
| 11 | 65W-15316-00-00 | DAMPER 1 | 1 | |
| 12 | 90340-14M06-00 | PLUG, STRAIGHT SCREW | 1 | |
| 13 | 90430-14M09-00 | .GASKET | 1 | |
| 14 | 97575-06525-00 | BOLT, WITH WASHER | 10 | |

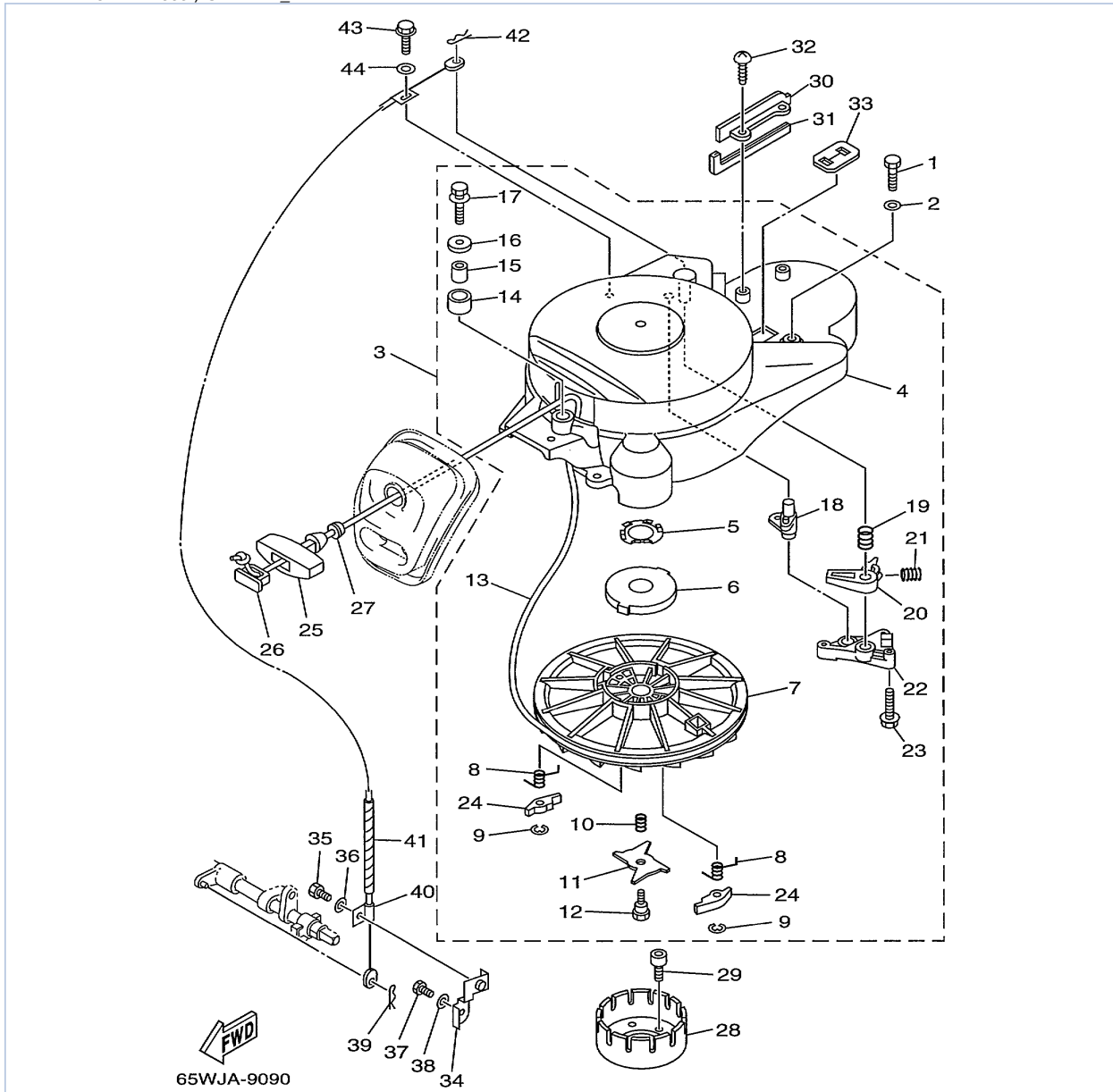
Part Notes

F25MLHX 1999 / OIL PAN

| PART NUMBER | NOTE TEXT |
|--|--|
| 90430-14M09-00  | OEM: This part number is among the Top 100 Most Popular Marine Maintenance Parts as of March 2014. |

©2014 Yamaha Motor Corporation, U.S.A. All rights reserved.

F25MLHX 1999 / STARTER_MH



©2014 Yamaha Motor Corporation, U.S.A. All rights reserved.


Part List

F25MLHX 1999 / STARTER _ MH

| REF - NO | PART NUMBER | PART NAME | QUANTITY | REMARKS |
|----------|-----------------|---------------------------|----------|---------|
| 1 | 97095-06025-00 | BOLT | 4 | |
| 2 | 92995-06600-00 | WASHER | 4 | |
| 3 | 65W-W1571-00-00 | STARTER ASSEMBLY | 1 | |
| 4 | 65W-15711-00-00 | .CASE, STARTER | 1 | |
| 5 | 65W-15732-00-00 | .WASHER, WAVE 1 | 1 | |
| 6 | 65W-15713-00-00 | .SPRING, STARTER | 1 | |
| 7 | 65W-15714-00-00 | .DRUM, SHEAVE | 1 | |
| 8 | 65W-15734-00-00 | .SPRING, RETURN | 2 | |
| 9 | 65W-15744-00-00 | .CIRCLIP | 2 | |
| 10 | 65W-15715-00-00 | .SPRING, FRICTION | 1 | |
| 11 | 65W-15716-00-00 | .PLATE, DRIVE | 1 | |
| 12 | 65W-15793-00-00 | .SCREW | 1 | |
| 13 | 90580-50M01-00 | .ROPE, STARTER | 1 | |
| 14 | 65W-15752-00-00 | .ROLLER, WIRE | 1 | |
| 15 | 65W-15753-00-00 | .BUSH | 1 | |
| 16 | 65W-15791-00-00 | .WASHER, LOCK | 1 | |
| 17 | 65W-15481-00-00 | .BOLT 1 | 1 | |
| 18 | 65W-15735-00-00 | .GUIDE, CAM | 1 | |
| 19 | 65W-15767-00-00 | .SPRING | 1 | |
| 20 | 65W-15794-00-00 | .STOPPER | 1 | |
| 21 | 65W-15784-00-00 | .SPRING, RETURN | 1 | |
| 22 | 65W-15414-00-00 | .COVER 1 | 1 | |
| 23 | 65W-15768-00-00 | .BOLT | 3 | |
| 24 | 65W-15741-10-00 | .PAWL, DRIVE | 2 | |
| 25 | 689-15755-01-00 | .HANDLE, STARTER | 1 | |
| 26 | 6F5-15779-02-00 | .COVER | 1 | |
| 27 | 6A0-15789-00-00 | .DAMPER | 1 | |
| 28 | 65W-15723-10-00 | PULLEY, STARTER | 1 | |
| 29 | 90110-08M03-00 | BOLT, HEXAGON SOCKET HEAD | 3 | |
| 30 | 65W-15645-00-00 | SHIM, KICK SHAFT | 1 | |
| 31 | 65W-15761-00-00 | SEAL, RUBBER 1 | 1 | |
| 32 | 97780-60520-00 | SCREW, TAPPING | 2 | |
| 33 | 65W-81639-10-00 | PLATE, ARMATURE FITTING | 1 | |
| 34 | 65W-15774-00-00 | STAY 4 | 1 | |
| 35 | 97095-06012-00 | BOLT | 1 | |
| 36 | 92995-06600-00 | WASHER | 1 | |
| 37 | 97095-06012-00 | BOLT | 1 | |
| 38 | 92995-06600-00 | WASHER | 1 | |
| 39 | 90468-18008-00 | CLIP | 1 | |
| 40 | 65W-15770-00-00 | CABLE COMP., STARTER STOP | 1 | |
| 41 | 90446-06M90-00 | HOSE (L120) | 1 | |
| 42 | 90468-10005-00 | CLIP | 1 | |
| 43 | 65W-15482-00-00 | BOLT 2 | 1 | |
| 44 | 65W-15726-00-00 | WASHER, FLAT | 1 | |

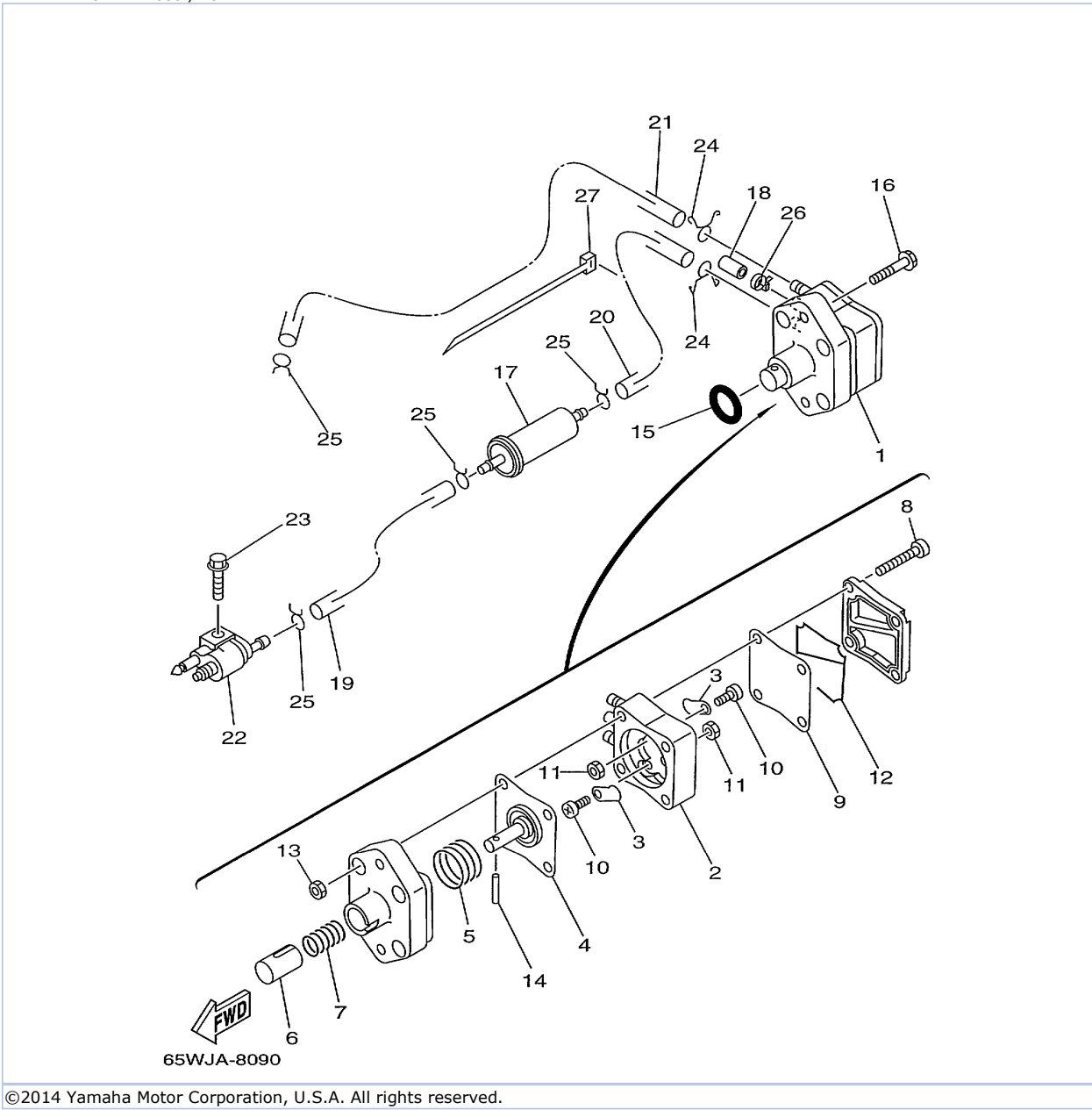
Part Notes

F25MLHX 1999 / STARTER _ MH

| PART NUMBER | NOTE TEXT |
|--|--|
| 90468-18008-00  | OEM: This part number is among the Top 100 Most Popular Marine Maintenance Parts as of March 2014. |

©2014 Yamaha Motor Corporation, U.S.A. All rights reserved.

F25MLHX 1999 / FUEL

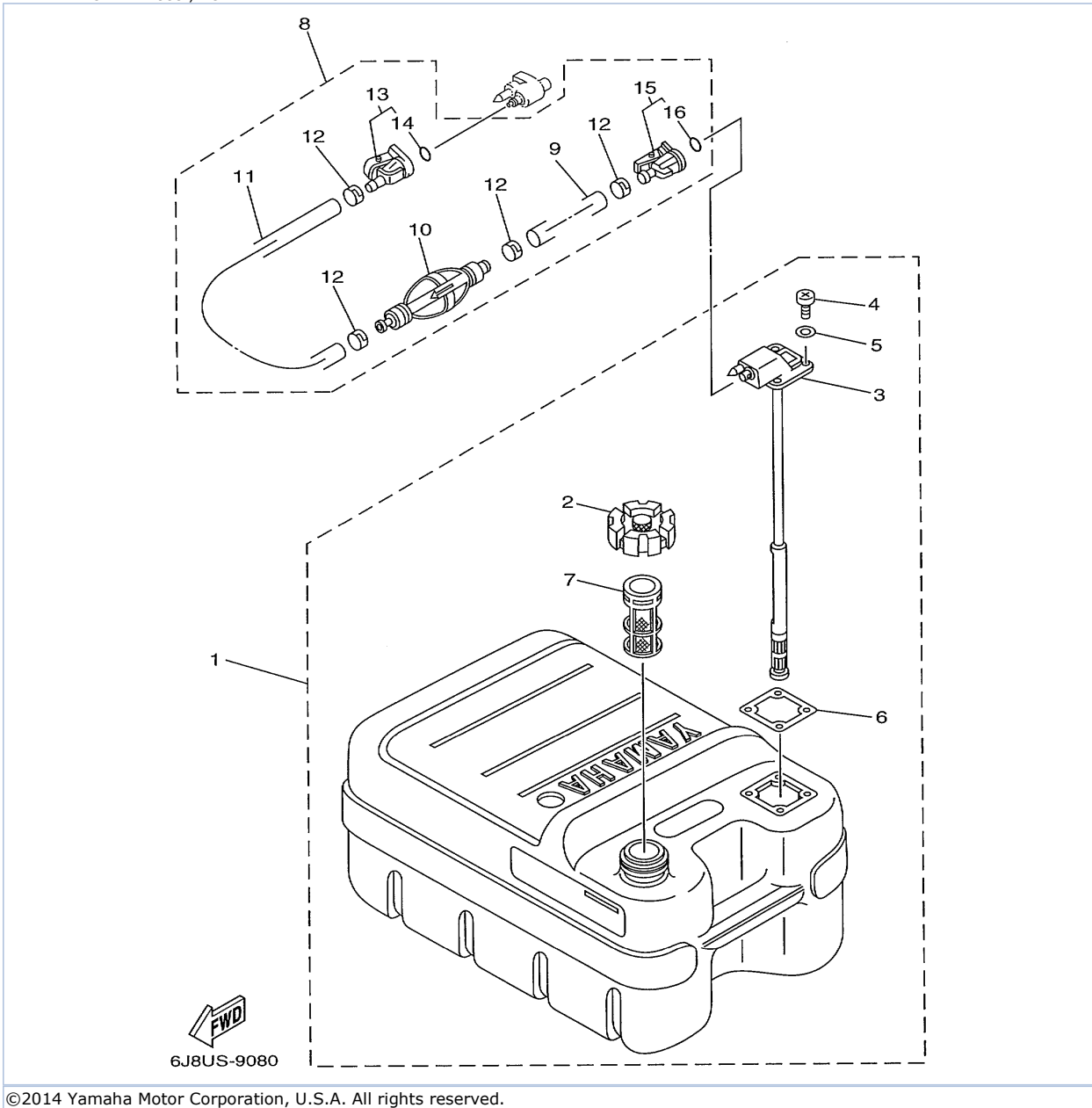


Part List

F25MLHX 1999 / FUEL

| REF - NO | PART NUMBER | PART NAME | QUANTITY | REMARKS |
|----------------|-----------------|-------------------------|----------|---------|
| 1 | 62Y-24410-02-00 | FUEL PUMP ASSY | 1 | |
| 2 | 62Y-24413-00-00 | .BODY 2 | 1 | |
| 3 | 62Y-24421-01-00 | .VALVE, CHECK | 2 | |
| 4 | 62Y-24411-02-00 | .DIAPHRAGM | 1 | |
| 5 | 62Y-24423-00-00 | .SPRING, DIAPHRAGM | 1 | |
| 6 | 62Y-13131-01-00 | .PLUNGER | 1 | |
| 7 | 62Y-24454-00-00 | .SPRING | 1 | |
| 8 | 62Y-24444-00-00 | .SCREW | 4 | |
| 9 | 62Y-24471-00-00 | .DIAPHRAGM | 1 | |
| 10 | 6A0-14325-00-00 | .SCREW, PAN HEAD | 2 | |
| 11 | 95380-03600-00 | .NUT | 2 | |
| 12 | 62Y-24452-00-00 | .PACKING | 1 | |
| 13 | 95380-05600-00 | .NUT | 4 | |
| 14 | 62Y-24374-01-00 | .PIN | 1 | |
| 15 | 93210-24M79-00 | .O-RING | 1 | |
| 16 | 97595-06530-00 | .BOLT, WITH WASHER | 2 | |
| 17 | 65W-24251-00-00 | STRAINER 1 | 1 | |
| 18 | 65W-24481-00-00 | PLUG | 1 | |
| 19 | 90445-10M33-00 | HOSE (L320) | 1 | |
| 20 | 90445-10M03-00 | HOSE (L240) | 1 | |
| 21 | 90445-10M43-00 | HOSE (L400) | 1 | |
| 22 | 6G1-24304-02-00 | FUEL PIPE JOINT COMP. 1 | 1 | |
| 23 | 97595-06525-00 | BOLT, WITH WASHER | 1 | |
| 24 | 90467-10M04-00 | CLIP | 2 | |
| 25 | 90467-09M03-00 | CLIP | 4 | |
| 26 | 90465-11M10-00 | CLAMP | 1 | |
| 27 | 90465-13M18-00 | CLAMP | 1 | |

F25MLHX 1999 / FUEL TANK



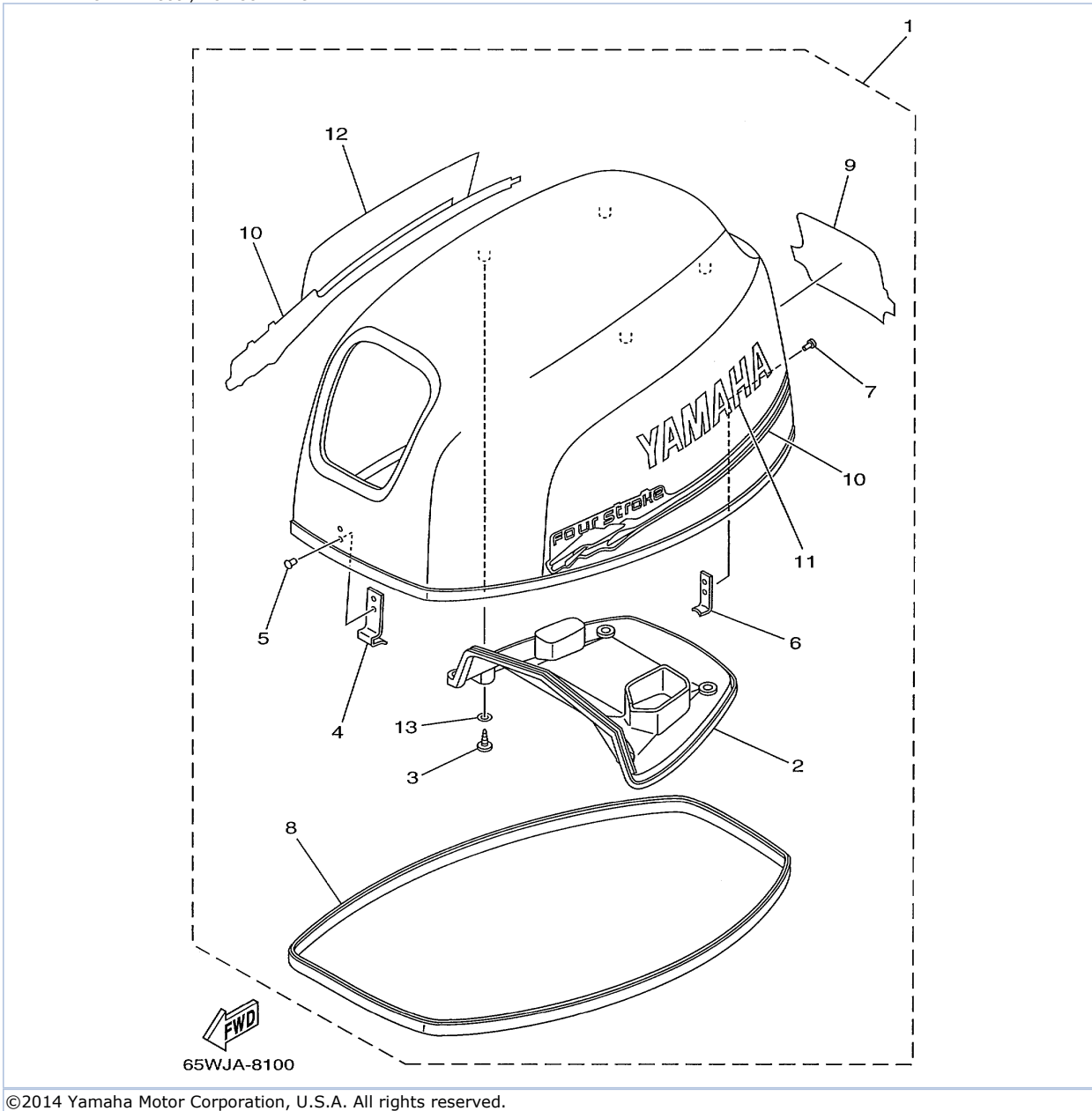
©2014 Yamaha Motor Corporation, U.S.A. All rights reserved.

Part List

F25MLHX 1999 / FUEL TANK

| REF - NO | PART NUMBER | PART NAME | QUANTITY | REMARKS |
|----------------|-----------------|-------------------------|----------|-------------------|
| 1 | 6YJ-24201-10-00 | FUEL TANK ASSY (24L) | 1 | UR WITH INDICATOR |
| 1 | 6YJ-24201-50-00 | FUEL TANK ASSY (24L) | 1 | UR CANADA ONLY |
| 2 | 6YJ-24610-01-00 | .CAP ASSY | 1 | |
| 3 | 6Y1-24260-12-00 | .FUEL METER ASSY | 1 | WITH INDICATOR |
| 4 | 98586-05016-00 | .SCREW, PAN HEAD | 4 | |
| 5 | 6Y1-24329-00-00 | .SEAL | 4 | |
| 6 | 6Y1-24268-00-00 | .GASKET, FUEL METER | 1 | |
| 7 | 6YJ-24167-00-00 | .STRAINER | 1 | |
| 8 | 6Y1-24306-51-00 | FUEL PIPE COMP. 1 | 1 | |
| 9 | 90445-11M06-00 | .HOSE (L2050) | 1 | |
| 10 | 6Y1-24360-51-00 | .PRIMER PUMP ASSY | 1 | |
| 11 | 90445-11M05-00 | .HOSE (L850) | 1 | |
| 12 | 650-24351-51-00 | .BAND 1 | 4 | |
| 13 | 6G1-24305-01-00 | .FUEL PIPE JOINT COMP 2 | 1 | |
| 14 | 93210-08287-00 | ..O-RING | 1 | |
| 15 | 6Y1-24305-02-00 | .FUEL PIPE JOINT COMP 2 | 1 | |
| 16 | 93210-08287-00 | ..O-RING | 1 | |

F25MLHX 1999 / TOP COWLING

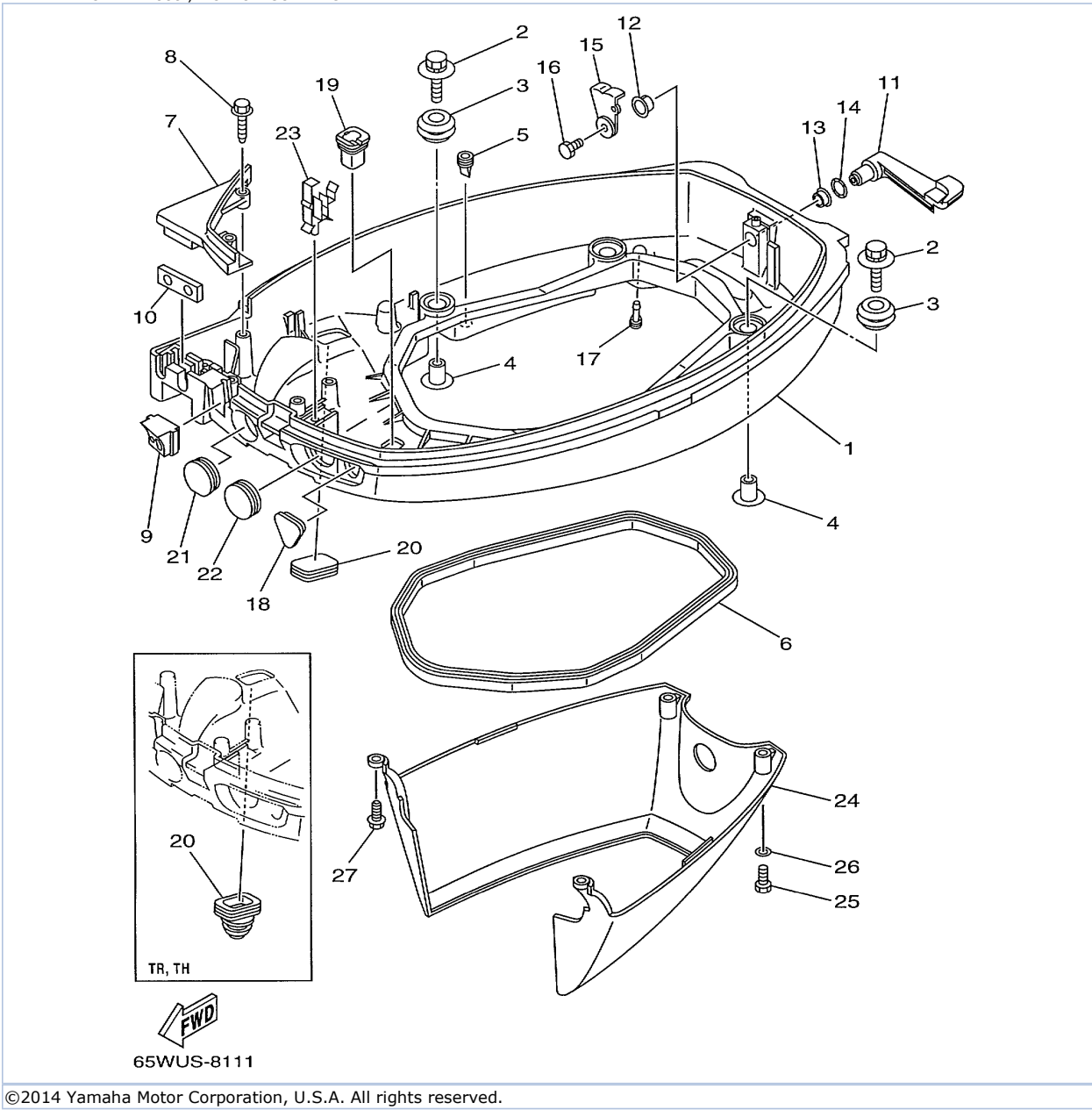


Part List

F25MLHX 1999 / TOP COWLING

| REF - NO | PART NUMBER | PART NAME | QUANTITY | REMARKS |
|----------------|-----------------|----------------------|----------|---------|
| 1 | 65W-42610-01-4D | TOP COWLING ASSEMBLY | 1 | |
| 2 | 65W-42613-00-00 | .MOLDING, AIR DUCT | 1 | |
| 3 | 97780-60520-00 | .SCREW, TAPPING | 4 | |
| 4 | 6E0-42651-02-00 | .HOOK | 1 | |
| 5 | 90266-04M04-00 | .RIVET | 2 | |
| 6 | 6E7-42652-00-00 | .HOOK | 1 | |
| 7 | 90266-04M04-00 | .RIVET | 2 | |
| 8 | 65W-42615-01-00 | .SEAL | 1 | |
| 9 | 65W-42678-10-00 | .GRAPHIC, REAR | 1 | |
| 10 | 65W-W0070-10-00 | .GRAPHIC SET | 1 | |
| 11 | 65W-42681-10-00 | .MARK, COWLING | 1 | |
| 12 | 65W-42682-10-00 | .MARK, COWLING | 1 | |
| 13 | 90202-05M38-00 | .WASHER, PLATE | 4 | |

F25MLHX 1999 / BOTTOM COWLING

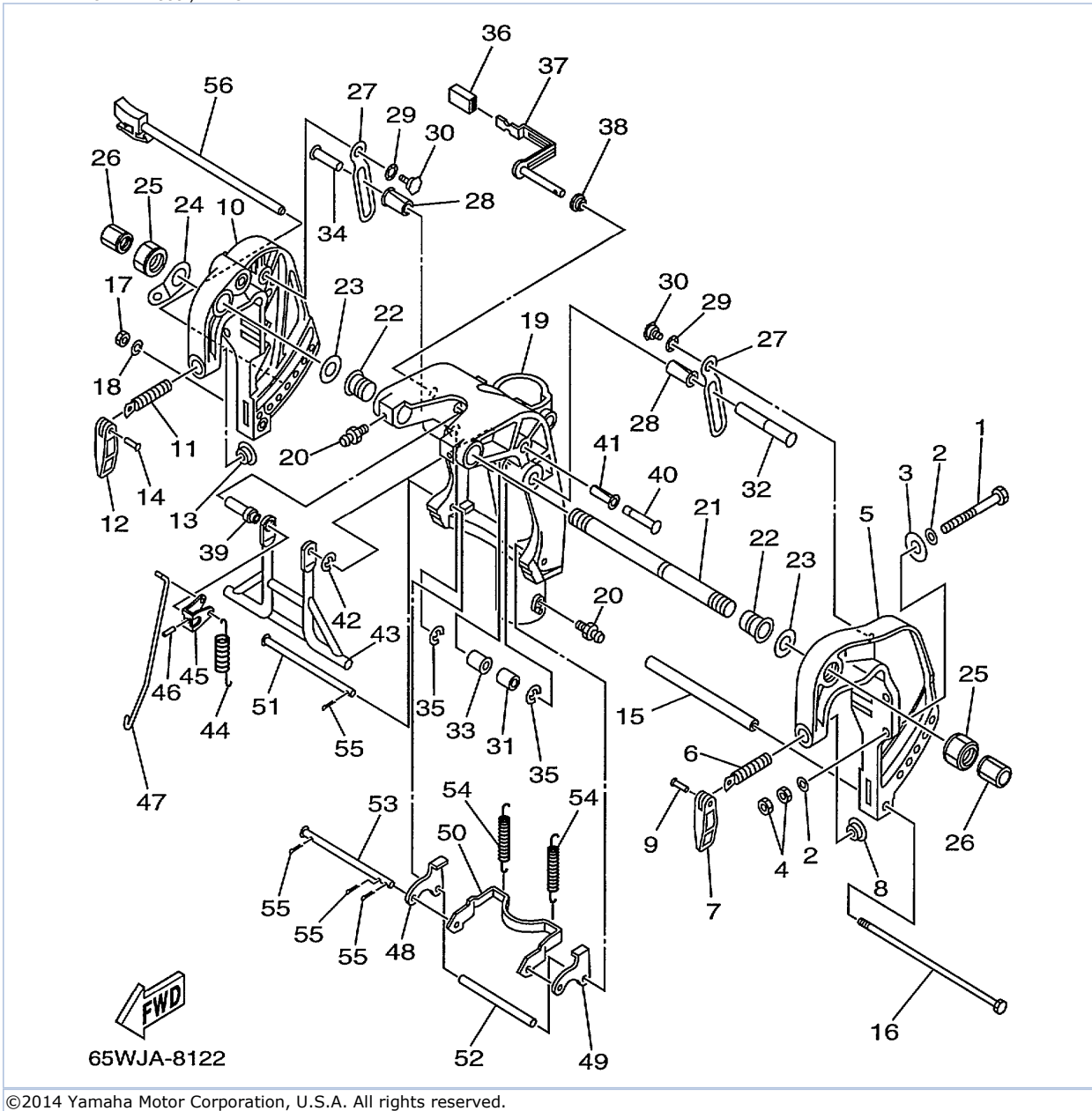


Part List

F25MLHX 1999 / BOTTOM COWLING

| REF - NO | PART NUMBER | PART NAME | QUANTITY | REMARKS |
|----------------|-----------------|----------------------------|----------|-------------|
| 1 | 65W-42710-01-4D | BOTTOM COWLING ASSEMBLY | 1 | UR MH_EH_ER |
| 1 | 65W-42710-11-4D | BOTTOM COWLING ASSEMBLY | 1 | UR TRX |
| 2 | 90119-06M08-00 | BOLT, WITH WASHER | 4 | |
| 3 | 90480-09M12-00 | GROMMET | 4 | |
| 4 | 90387-06M69-00 | COLLAR | 4 | |
| 5 | 65W-42717-00-00 | RUBBER, SEAL 2 | 6 | |
| 6 | 62Y-42716-00-00 | RUBBER, SEAL 1 | 1 | |
| 7 | 65W-42738-01-4D | PLATE, FITTING | 1 | |
| 8 | 90109-06M82-00 | BOLT | 2 | |
| 9 | 65W-42725-20-00 | .GROMMET | 1 | UR ER_TRX |
| 9 | 65W-42725-00-00 | GROMMET | 1 | UR MH |
| 9 | 65W-42725-10-00 | GROMMET | 1 | UR EH |
| 10 | 62Y-42727-00-00 | GROMMET | 1 | URER_TRX |
| 10 | 65W-42727-00-00 | GROMMET | 1 | UR MH_EH |
| 11 | 65W-42815-01-4D | LEVER, CLAMP | 1 | |
| 12 | 90386-12M37-00 | BUSH | 1 | |
| 13 | 90386-12MA2-00 | BUSH | 1 | |
| 14 | 90206-12052-00 | WASHER, WAVE | 1 | |
| 15 | 6L2-42816-00-00 | LEVER, CLAMP | 1 | |
| 16 | 97095-06012-00 | BOLT | 1 | |
| 17 | 6H3-44391-01-00 | NIPPLE, HOSE | 1 | |
| 18 | 65W-26326-10-00 | .GROMMET | 1 | UR ER_TRX |
| 18 | 65W-26326-00-00 | GROMMET | 1 | UR MH_EH |
| 19 | 682-42727-00-00 | GROMMET | 1 | |
| 20 | 6H4-42726-00-00 | GROMMET | 1 | UR MH_EH_ER |
| 20 | 6H1-42726-10-00 | GROMMET | 1 | UR TRX |
| 21 | 6G1-42725-00-00 | GROMMET | 1 | |
| 22 | 65W-42726-10-00 | .GROMMET | 1 | UR ER_TRX |
| 22 | 65W-42726-00-00 | GROMMET | 1 | UR |
| 23 | 90465-25M57-00 | CLAMP | 1 | |
| 24 | 65W-42741-01-00 | APRON | 1 | |
| 25 | 97095-06014-00 | BOLT | 2 | |
| 26 | 92995-06600-00 | WASHER | 2 | |
| 27 | 90109-06M81-00 | BOLT | 2 | |

F25MLHX 1999 / BRACKET 1 MH EH ER



©2014 Yamaha Motor Corporation, U.S.A. All rights reserved.

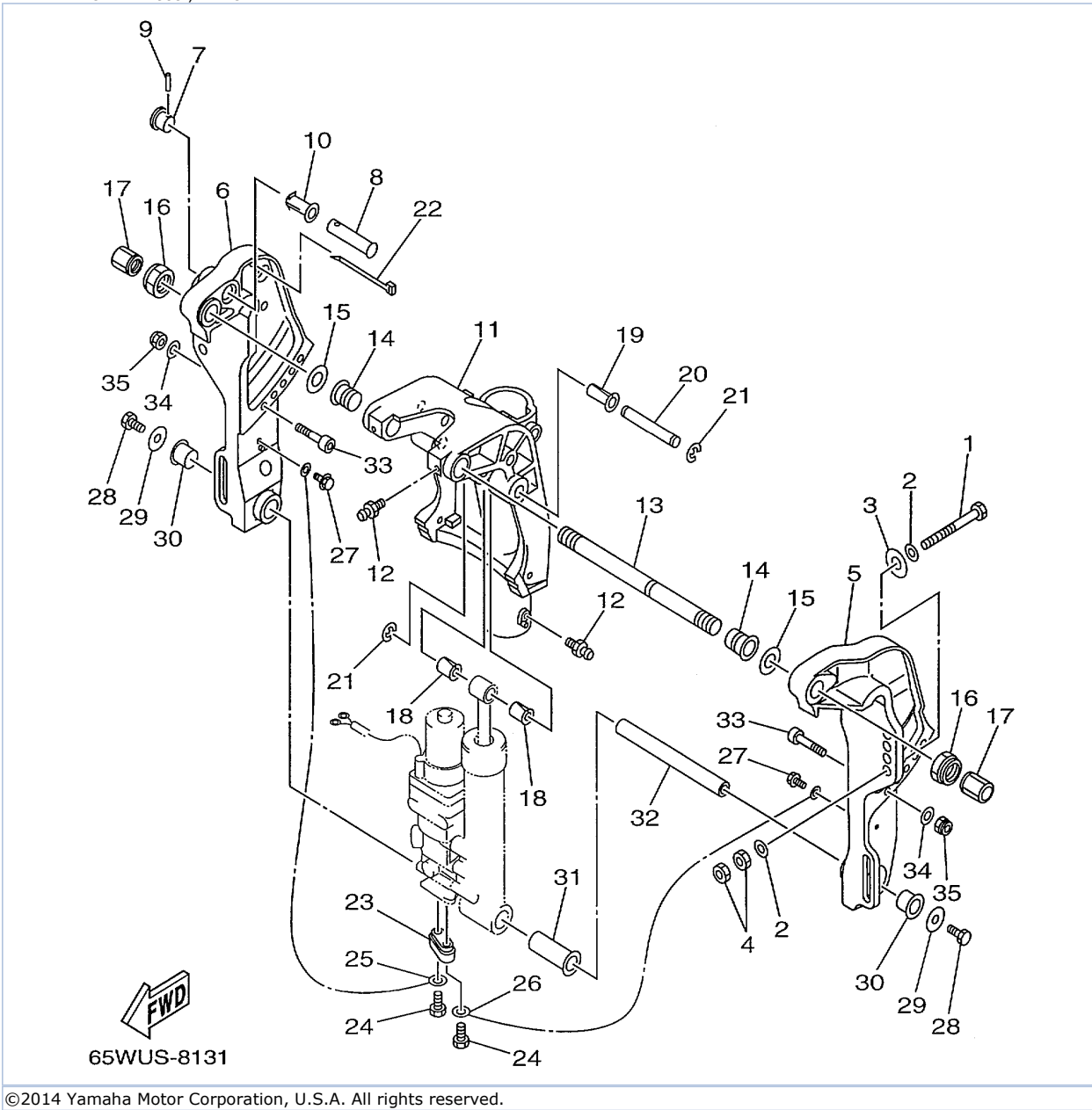
Part List

F25MLHX 1999 / BRACKET 1 MH EH ER

| REF - NO | PART NUMBER | PART NAME | QUANTITY | REMARKS |
|----------|-----------------|-----------------------|----------|----------|
| 1 | 90101-10M58-00 | BOLT | 4 | UR ER |
| 2 | 92995-10600-00 | WASHER | 8 | UR ER |
| 3 | 90201-12426-00 | WASHER, PLATE | 4 | UR ER |
| 4 | 95380-10600-00 | NUT | 8 | UR ER |
| 5 | 65W-43111-01-4D | BRACKET, CLAMP | 1 | |
| 6 | 90149-14M12-00 | SCREW | 1 | |
| 7 | 663-43118-01-4D | HANDLE, TRANSOM CLAMP | 1 | |
| 8 | 648-43114-01-00 | PAD, TRANSOM CLAMP | 1 | |
| 9 | 90243-04007-00 | PIN | 1 | |
| 10 | 65W-43112-01-4D | BRACKET, CLAMP | 1 | |
| 11 | 90149-14M12-00 | SCREW | 1 | |
| 12 | 663-43118-01-4D | HANDLE, TRANSOM CLAMP | 1 | |
| 13 | 648-43114-01-00 | PAD, TRANSOM CLAMP | 1 | |
| 14 | 90243-04007-00 | PIN | 1 | |
| 15 | 90387-08M29-00 | COLLAR | 1 | |
| 16 | 90101-08M76-00 | BOLT | 1 | |
| 17 | 95380-08600-00 | NUT | 1 | |
| 18 | 92990-08100-00 | WASHER, SPRING | 1 | |
| 19 | 65W-43311-00-4D | BRACKET, SWIVEL 1 | 1 | UR SHORT |
| 19 | 65W-43311-10-4D | BRACKET, SWIVEL 1 | 1 | UR LONG |
| 20 | 93700-06M03-00 | NIPPLE, GREASE | 1 | UR MH_EH |
| 20 | 93700-06M03-00 | NIPPLE, GREASE | 3 | UR ER |
| 21 | 63D-43131-00-00 | BOLT, CLAMP BRACKET | 1 | |
| 22 | 90386-22M15-00 | BUSH | 2 | |
| 23 | 90201-22M03-00 | WASHER, PLATE | 2 | |
| 24 | 6J8-43113-01-00 | PLATE, CLAMP BRACKET | 1 | |
| 25 | 63V-43145-00-00 | CAP, CLAMP BRACKET | 2 | |
| 26 | 6G5-43145-00-00 | CAP, CLAMP BRACKET | 2 | |
| 27 | 65W-43627-01-00 | STOPPER | 2 | |
| 28 | 90386-12M98-00 | BUSH | 2 | |
| 29 | 90206-14M23-00 | WASHER, WAVE | 2 | |
| 30 | 90109-08M87-00 | BOLT | 2 | |
| 31 | 90387-12M04-00 | COLLAR | 1 | |
| 32 | 90249-12M39-00 | PIN | 1 | |
| 33 | 90386-12MA0-00 | BUSH | 1 | |
| 34 | 90249-12M34-00 | PIN | 1 | |
| 35 | 93430-10M00-00 | CIRCLIP | 2 | |
| 36 | 663-43318-00-00 | COVER | 1 | |
| 37 | 65W-43630-10-00 | TILT LEVER ASSEMBLY | 1 | |
| 38 | 90386-07MA2-00 | BUSH | 1 | |
| 39 | 90387-07M05-00 | COLLAR | 1 | |
| 40 | 90249-10M31-00 | PIN | 1 | |
| 41 | 90386-10M99-00 | BUSH | 1 | |
| 42 | 99080-08600-00 | CIRCLIP | 1 | |
| 43 | 66T-43350-01-00 | RECEIVER ASSEMBLY | 1 | |
| 44 | 90506-20M37-00 | SPRING, TENSION | 1 | |
| 45 | 66T-43631-10-00 | LEVER, TILT | 1 | |
| 46 | 91690-30016-00 | PIN, SPRING | 1 | |
| 47 | 65W-43616-00-00 | ROD, TILT LOCK | 1 | |
| 48 | 65W-43614-00-00 | PLATE, TILT LOCK | 1 | |
| 49 | 65W-43615-00-00 | PLATE, TILT LOCK | 1 | |
| 50 | 65W-43613-00-00 | ARM, TILT LOCK | 1 | |
| 51 | 90249-07M32-00 | PIN | 1 | |
| 52 | 90387-07M29-00 | COLLAR | 1 | |

| | | | | |
|----|-----------------|-----------------|---|--|
| 53 | 90249-07M33-00 | PIN | 1 | |
| 54 | 90506-30M00-00 | SPRING, TENSION | 2 | |
| 55 | 91490-20015-00 | PIN. COTTER | 4 | |
| 56 | 65W-43160-00-00 | TILT ROD ASSY | 1 | |

F25MLHX 1999 / BRACKET 2 TRX



©2014 Yamaha Motor Corporation, U.S.A. All rights reserved.


Part List

F25MLHX 1999 / BRACKET 2 TRX

| REF - NO | PART NUMBER | PART NAME | QUANTITY | REMARKS |
|----------|-----------------|---------------------------|----------|---------|
| 1 | 90101-12M65-00 | BOLT | 4 | |
| 2 | 92995-12200-00 | WASHER | 8 | |
| 3 | 90201-12426-00 | WASHER, PLATE | 4 | |
| 4 | 95380-12600-00 | NUT | 8 | |
| 5 | 65W-43111-10-4D | BRACKET, CLAMP 1 | 1 | |
| 6 | 65W-43112-10-4D | BRACKET, CLAMP 2 | 1 | |
| 7 | 65W-43192-00-00 | KNOB, STOPPER | 1 | |
| 8 | 65W-43191-00-00 | SHAFT, STOPPER | 1 | |
| 9 | 91690-30018-00 | PIN, SPRING | 1 | |
| 10 | 90386-14MA1-00 | BUSH | 1 | |
| 11 | 65W-43311-10-4D | BRACKET, SWIVEL 1 | 1 | |
| 12 | 93700-06M03-00 | NIPPLE, GREASE | 3 | UR |
| 13 | 63D-43131-00-00 | BOLT, CLAMP BRACKET | 1 | |
| 14 | 90386-22M15-00 | BUSH | 2 | |
| 15 | 90201-22M03-00 | WASHER, PLATE | 2 | |
| 16 | 90185-22M11-00 | NUT, SELF-LOCKING | 2 | |
| 17 | 6G5-43145-00-00 | CAP, CLAMP BRACKET | 2 | |
| 18 | 90386-12MA0-00 | BUSH | 2 | |
| 19 | 90386-12M98-00 | BUSH | 1 | |
| 20 | 90249-12M38-00 | PIN | 1 | |
| 21 | 93430-10M00-00 | CIRCLIP | 2 | |
| 22 | 90465-13M11-00 | CLAMP | 2 | |
| 23 | 65W-45251-00-00 | ANODE | 1 | |
| 24 | 97085-06025-00 | BOLT | 2 | |
| 25 | 6H1-82148-00-00 | WIRE, LEAD 4 | 1 | |
| 26 | 6U0-82127-00-00 | WIRE, LEAD 2 | 1 | |
| 27 | 97595-06514-00 | .BOLT, WITH WASHER | 2 | |
| 28 | 97080-08016-00 | BOLT | 2 | |
| 29 | 90201-08M00-00 | WASHER, PLATE | 2 | |
| 30 | 90386-18M44-00 | BUSH | 2 | |
| 31 | 90386-18MA0-00 | BUSH | 1 | |
| 32 | 90249-18M35-00 | PIN | 1 | |
| 33 | 90110-10M02-00 | BOLT, HEXAGON SOCKET HEAD | 2 | |
| 34 | 92995-10600-00 | WASHER | 2 | |
| 35 | 90185-10M13-00 | NUT, SELF-LOCKING | 2 | |

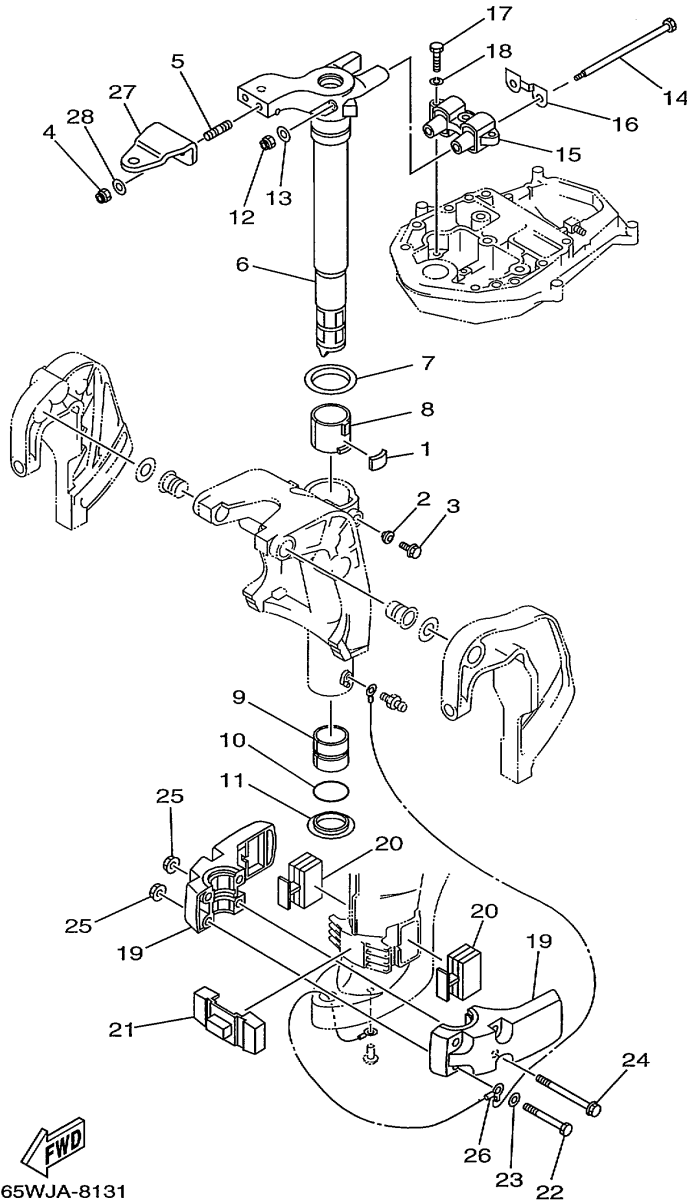
Part Notes

F25MLHX 1999 / BRACKET 2 TRX

| PART NUMBER | NOTE TEXT |
|---|--|
| 65W-45251-00-00  | OEM: This part number is among the Top 100 Most Popular Marine Maintenance Parts as of March 2014. |

©2014 Yamaha Motor Corporation, U.S.A. All rights reserved.

F25MLHX 1999 / BRACKET 3



65WJA-8131

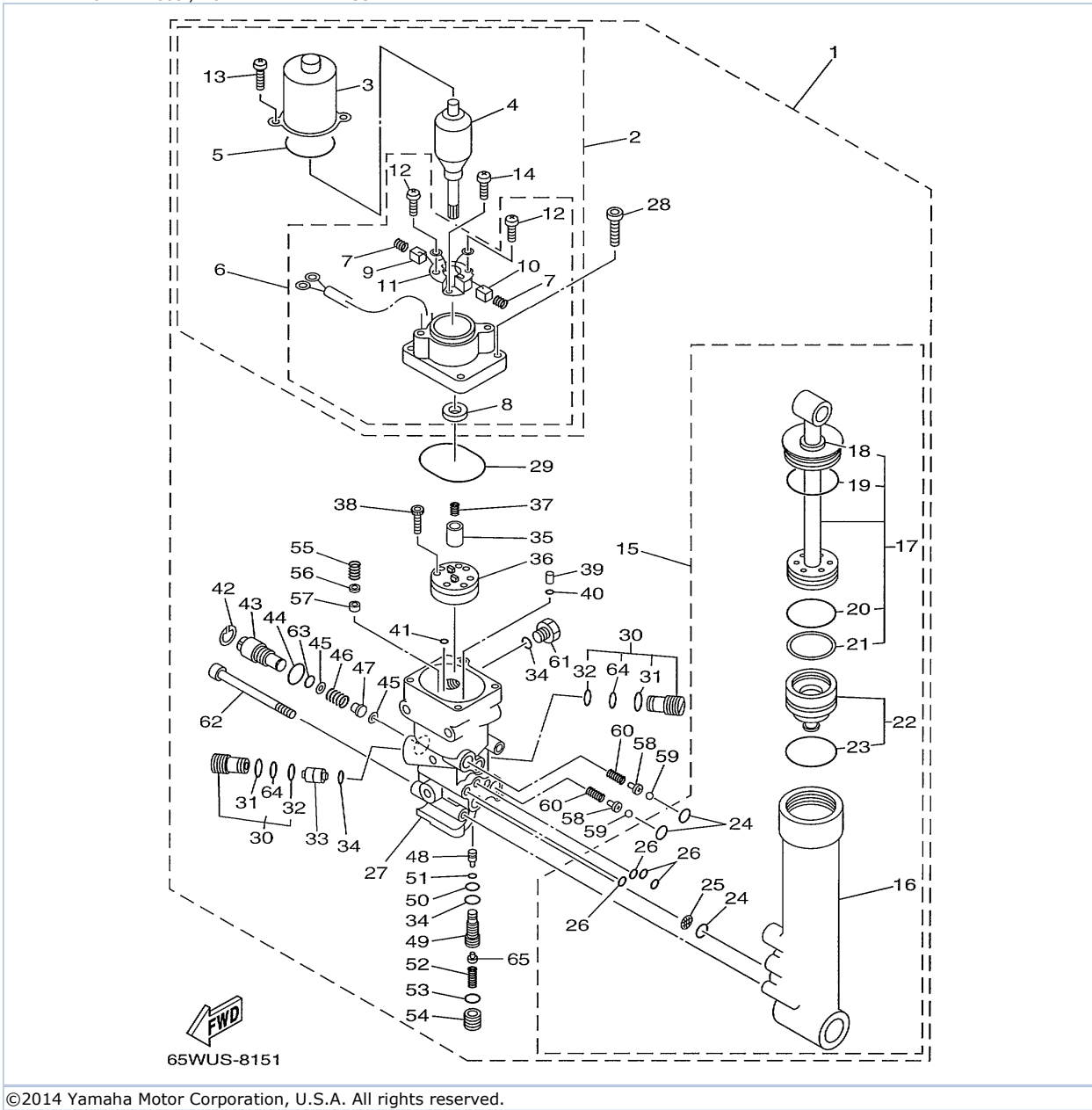
©2014 Yamaha Motor Corporation, U.S.A. All rights reserved.

Part List

F25MLHX 1999 / BRACKET 3

| REF - NO | PART NUMBER | PART NAME | QUANTITY | REMARKS |
|----------------|-----------------|--------------------------------|----------|-----------|
| 1 | 648-42528-00-00 | PLATE, FRICTION | 1 | |
| 2 | 65W-43373-00-00 | SEAL, DAMPER | 1 | |
| 3 | 90105-08M76-00 | BOLT, FLANGE | 1 | |
| 4 | 90185-10051-00 | NUT, SELF-LOCKING | 2 | |
| 5 | 90116-10M28-00 | BOLT, STUD | 2 | |
| 6 | 65W-42511-00-4D | BRACKET, STEERING | 1 | UR SHORT |
| 6 | 65W-42511-10-4D | BRACKET, STEERING | 1 | UR LONG |
| 7 | 90209-52M00-00 | WASHER | 1 | |
| 8 | 90386-52M02-00 | BUSH | 1 | |
| 9 | 90386-44M03-00 | BUSH | 1 | |
| 10 | 93210-43M10-00 | O-RING | 1 | |
| 11 | 90386-44M99-00 | BUSH | 1 | |
| 12 | 90185-08045-00 | NUT, SELF-LOCKING | 2 | |
| 13 | 92995-08200-00 | WASHER | 2 | |
| 14 | 90101-08M86-00 | BOLT | 2 | |
| 15 | 65W-44514-00-4D | MOUNT DAMPER, UPPER SIDE | 1 | |
| 16 | 63D-44526-00-00 | PLATE | 1 | |
| 17 | 97075-08030-00 | BOLT | 3 | |
| 18 | 92995-08100-00 | WASHER | 3 | |
| 19 | 65W-44551-10-4D | HOUSING, LOWER MOUNT RUBBER | 2 | |
| 20 | 65W-44555-00-00 | MOUNT DAMPER, LOWER SIDE | 2 | |
| 21 | 65W-44575-00-00 | DAMPER, LOWER MOUNT RUBBER | 1 | UR SHORT |
| 21 | 65W-44575-10-00 | DAMPER, LOWER MOUNT RUBBER | 1 | UR LONG |
| 22 | 97075-10070-00 | BOLT | 2 | |
| 23 | 92995-10600-00 | WASHER | 2 | |
| 24 | 90119-10M04-00 | BOLT, WITH WASHER | 2 | |
| 25 | 90179-10M33-00 | NUT | 4 | |
| 26 | 65W-82127-10-00 | WIRE, LEAD 2 | 1 | |
| 27 | 65W-48511-00-00 | HOOK, STEERING | 1 | UR ER_TRX |
| 28 | 90201-10120-00 | .WASHER, PLATE | 2 | UR ER_TRX |

F25MLHX 1999 / POWER TRIM TILT ASSEMBLY TRX



Part List



F25MLHX 1999 / POWER TRIM TILT ASSEMBLY TRX

| REF - NO | PART NUMBER | PART NAME | QUANTITY | REMARKS |
|----------|-----------------|---------------------------------|----------|---------|
| 1 | 65W-43800-01-4D | POWER TRIM & TILT ASSEMBLY | 1 | |
| 2 | 65W-43880-00-00 | ..MOTOR ASSY | 1 | |
| 3 | 65W-43804-00-00 | ..STATOR ASSY | 1 | |
| 4 | 65W-43805-00-00 | ..ARMATURE ASSY | 1 | |
| 5 | 65W-43869-00-00 | ..O-RING | 1 | |
| 6 | 65W-43881-00-00 | ..FRAME, END | 1 | |
| 7 | 65W-4386K-00-00 | ..SPRING, BRUSH | 2 | |
| 8 | 65W-43882-00-00 | ..OIL SEAL | 1 | |
| 9 | 65W-43892-00-00 | ..BRUSH 2 | 1 | |
| 10 | 65W-43891-00-00 | ..BRUSH 1 | 1 | |
| 11 | 65W-4380F-00-00 | ..PLATE, BRUSH HOLDER | 1 | |
| 12 | 65W-43879-00-00 | ..SCREW, WITH WASHER | 2 | |
| 13 | 65W-43887-00-00 | ..BOLT | 2 | |
| 14 | 65W-4388E-00-00 | ..BOLT | 1 | |
| 15 | 65W-43840-00-00 | ..POWER TILT ASSY | 1 | |
| 16 | 65W-4380K-00-00 | ..CYLINDER, TILT SUB ASSY | 1 | |
| 17 | 65W-43810-00-00 | ..TILT PISTON SUB ASSY | 1 | |
| 18 | 65W-43812-00-00 | ..SEAL, DUST | 1 | |
| 19 | 65W-43865-00-00 | ..O-RING | 1 | |
| 20 | 6H1-43861-10-00 | ..O-RING | 1 | |
| 21 | 65W-43871-00-00 | ..RING, BACK UP | 1 | |
| 22 | 65W-4381B-00-00 | ..FREE PISTON SUB ASSY | 1 | |
| 23 | 6H1-43861-10-00 | ..O-RING | 1 | |
| 24 | 93210-11368-00 | ..O-RING | 3 | |
| 25 | 6H1-43816-00-00 | ..FILTER 1 | 1 | |
| 26 | 93210-064A5-00 | ..O-RING | 4 | |
| 27 | 65W-4380L-00-00 | ..HOUSING, TRIM & TILT SUB ASSY | 1 | |
| 28 | 65W-43888-00-00 | ..BOLT, SOCKET | 4 | |
| 29 | 93210-50768-00 | ..O-RING | 1 | |
| 30 | 6T4-43802-03-00 | ..VALVE SUB ASSY | 2 | |
| 31 | 6H1-43866-00-00 | ..O-RING | 1 | |
| 32 | 6H1-43867-00-00 | ..O-RING | 1 | |
| 33 | 62X-43841-00-00 | ..PISTON, SHUTTLE | 1 | |
| 34 | 93210-09165-00 | ..O-RING | 3 | |
| 35 | 65W-43831-00-00 | ..CONNECTOR, SHAFT | 1 | |
| 36 | 65W-43830-00-00 | ..GEAR PUMP ASSY | 1 | |
| 37 | 6T4-43853-00-00 | ..SPRING, MAIN VALVE | 1 | |
| 38 | 91318-04025-00 | ..BOLT | 4 | |
| 39 | 65W-43817-00-00 | ..FILTER 2 | 2 | |
| 40 | 65W-43861-00-00 | ..O-RING | 2 | |
| 41 | 65W-43862-00-00 | ..O-RING | 2 | |
| 42 | 6H1-43875-00-00 | ..RING, SNAP | 1 | |
| 43 | 6H1-43845-00-00 | ..SCREW, MANUAL RELEASE | 1 | |
| 44 | 93210-18397-00 | ..O-RING | 1 | |
| 45 | 6H1-43847-00-00 | ..SEAT, MANUAL VALVE | 2 | |
| 46 | 65W-43854-00-00 | ..SPRING, MANUAL RELEASE | 1 | |
| 47 | 65W-4382A-00-00 | ..ADAPTOR 1 | 1 | |
| 48 | 65W-43844-00-00 | ..PIN, VALVE SUPPORT | 1 | |
| 49 | 65W-43851-00-00 | ..SEAT, RELIEF VALVE | 1 | |
| 50 | 93210-08006-00 | ..O-RING | 1 | |
| 51 | 93210-03478-00 | ..O-RING | 1 | |
| 52 | 65W-43855-00-00 | ..SPRING, UP RELIEF | 1 | |
| 53 | 93210-11073-00 | ..O-RING | 1 | |

| | | | | |
|----|-----------------|----------------------|---|--|
| 54 | 65W-43843-00-00 | .SCREW, VALVE LOCK | 1 | |
| 55 | 6H1-43856-10-00 | .SPRING, DOWN RELIEF | 1 | |
| 56 | 6H1-43844-10-00 | .PIN, VALVE SUPPORT | 1 | |
| 57 | 6H1-4384F-10-00 | .SEAL, MAIN VALVE | 1 | |
| 58 | 65W-4386A-00-00 | .PIN, ABSORBER VALVE | 2 | |
| 59 | 93501-08001-00 | .BALL | 2 | |
| 60 | 65W-43853-00-00 | .SPRING, MAIN VALVE | 2 | |
| 61 | 6H1-43829-00-00 | .PLUG, RESERVOIR | 1 | |
| 62 | 62X-43878-00-00 | .BOLT, SOCKET | 3 | |
| 63 | 93210-10M74-00 | .O-RING | 1 | |
| 64 | 93210-10M74-00 | .O-RING | 1 | |
| 65 | 6T4-43808-00-00 | .SEAT VALVE COMP 1 | 1 | |

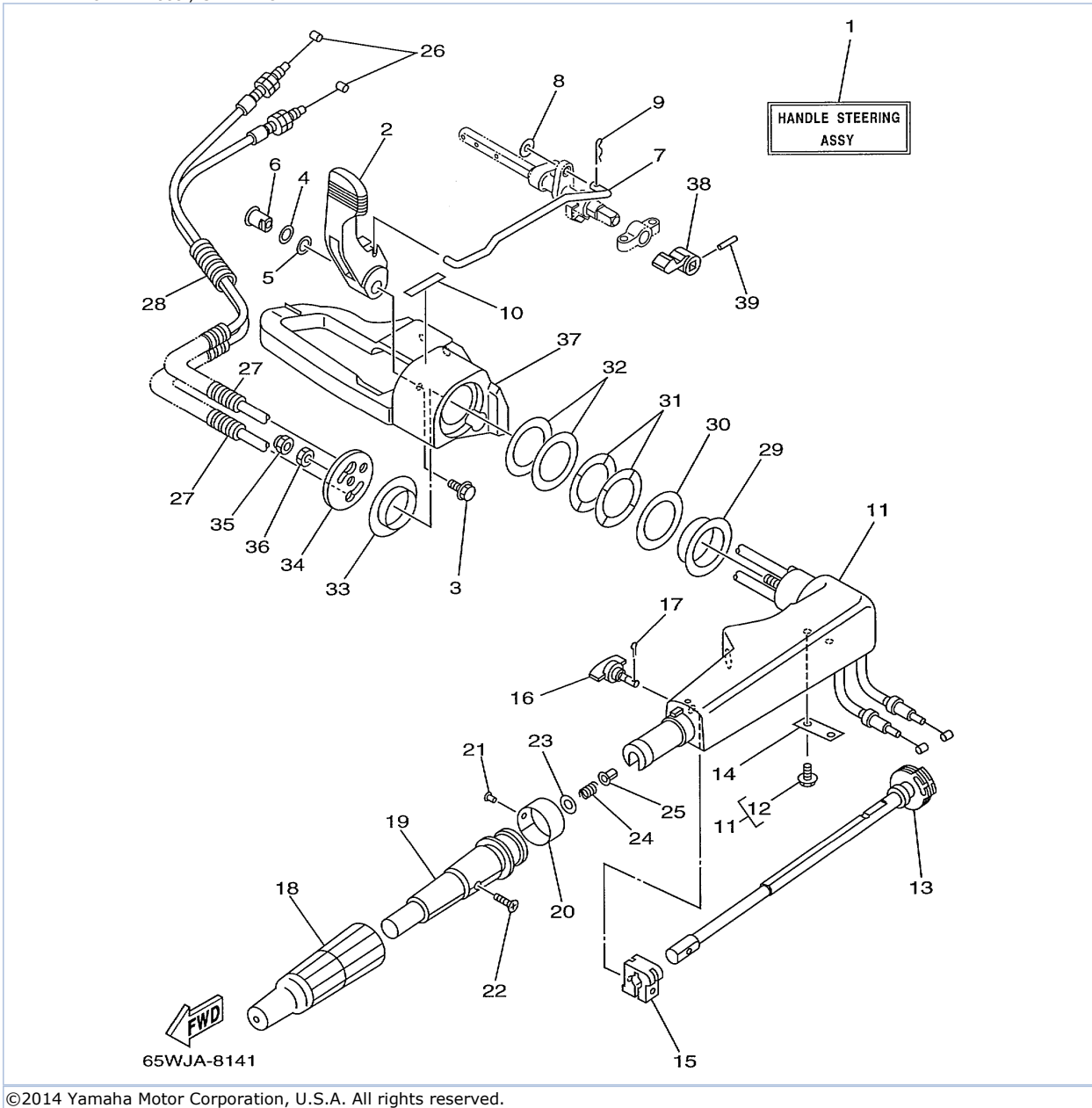
Part Notes

F25MLHX 1999 / POWER TRIM TILT ASSEMBLY TRX

| PART NUMBER | | NOTE TEXT |
|-----------------|---|--|
| 6H1-43861-10-00 |  | OEM: This part number is among the Top 100 Most Popular Marine Maintenance Parts as of March 2014. |
| 6H1-43861-10-00 |  | OEM: This part number is among the Top 100 Most Popular Marine Maintenance Parts as of March 2014. |

©2014 Yamaha Motor Corporation, U.S.A. All rights reserved.

F25MLHX 1999 / STEERING 1 MH EH



©2014 Yamaha Motor Corporation, U.S.A. All rights reserved.


Part List

F25MLHX 1999 / STEERING 1 MH EH

| REF - NO | PART NUMBER | PART NAME | QUANTITY | REMARKS |
|----------|-----------------|------------------------------------|----------|---------|
| 1 | 65W-W0084-01-4D | HANDLE STEERING ASSY | 1 | |
| 2 | 65W-44111-00-00 | HANDLE, GEAR SHIFT | 1 | |
| 3 | 95895-06016-00 | BOLT, FLANGE | 1 | |
| 4 | 90206-12M00-00 | WASHER, WAVE | 1 | |
| 5 | 90201-12M07-00 | WASHER, PLATE | 1 | |
| 6 | 65W-42123-00-00 | BOLT, HANDLE JOINT | 1 | |
| 7 | 65W-44124-00-00 | LINK, SHIFT ROD | 1 | |
| 8 | 92990-06200-00 | WASHER, PLAIN | 1 | |
| 9 | 90468-18008-00 | CLIP | 1 | |
| 10 | 6E0-44191-11-00 | INDICATOR, SHIFT | 1 | |
| 11 | 65W-42101-01-4D | HANDLE, STEERING | 1 | |
| 12 | 90109-06M86-00 | .BOLT | 2 | |
| 13 | 65W-42138-00-00 | LEVER, THROTTLE | 1 | |
| 14 | 65W-42159-00-00 | STAY | 1 | |
| 15 | 6G1-42126-00-00 | FRICITION, STEERING HANDLE GRIP | 1 | |
| 16 | 65W-42125-00-00 | BOLT, FRICTION ADJUSTING | 1 | |
| 17 | 91490-16010-00 | PIN. COTTER | 1 | |
| 18 | 66M-42177-00-00 | RUBBER, HANDLE | 1 | |
| 19 | 66M-42119-00-00 | GRIP, STEERING HANDLE | 1 | |
| 20 | 6J0-42137-00-00 | INDICATOR, THROTTLE | 1 | |
| 21 | 90269-02M09-00 | RIVET | 1 | |
| 22 | 90149-05M13-00 | SCREW | 1 | |
| 23 | 92903-10600-00 | WASHER, PLATE | 1 | |
| 24 | 90501-23215-00 | SPRING, COMPRESSION | 1 | |
| 25 | 90386-08032-00 | BUSH | 1 | |
| 26 | 65W-26311-00-00 | CABLE, THROTTLE 1 | 2 | |
| 27 | 90446-10M86-00 | HOSE (L140) | 2 | |
| 28 | 90446-14M88-00 | HOSE | 1 | |
| 29 | 90386-40MA0-00 | BUSH | 1 | |
| 30 | 90201-43M00-00 | WASHER, PLATE | 1 | |
| 31 | 90206-43M22-00 | WASHER, WAVE | 2 | |
| 32 | 90202-43M57-00 | WASHER, PLATE | 2 | |
| 33 | 90386-40M99-00 | BUSH | 1 | |
| 34 | 65W-42131-01-00 | COVER, HANDLE STEERING | 1 | |
| 35 | 95780-10300-00 | NUT, FLANGE | 1 | |
| 36 | 95380-10700-00 | NUT | 1 | |
| 37 | 65W-42121-00-4D | BRACKET | 1 | |
| 38 | 65W-44173-00-00 | LEVER, SHIFT CONTROL | 1 | UR EH |
| 39 | 91690-30320-00 | PIN, SPRING | 1 | UR EH |

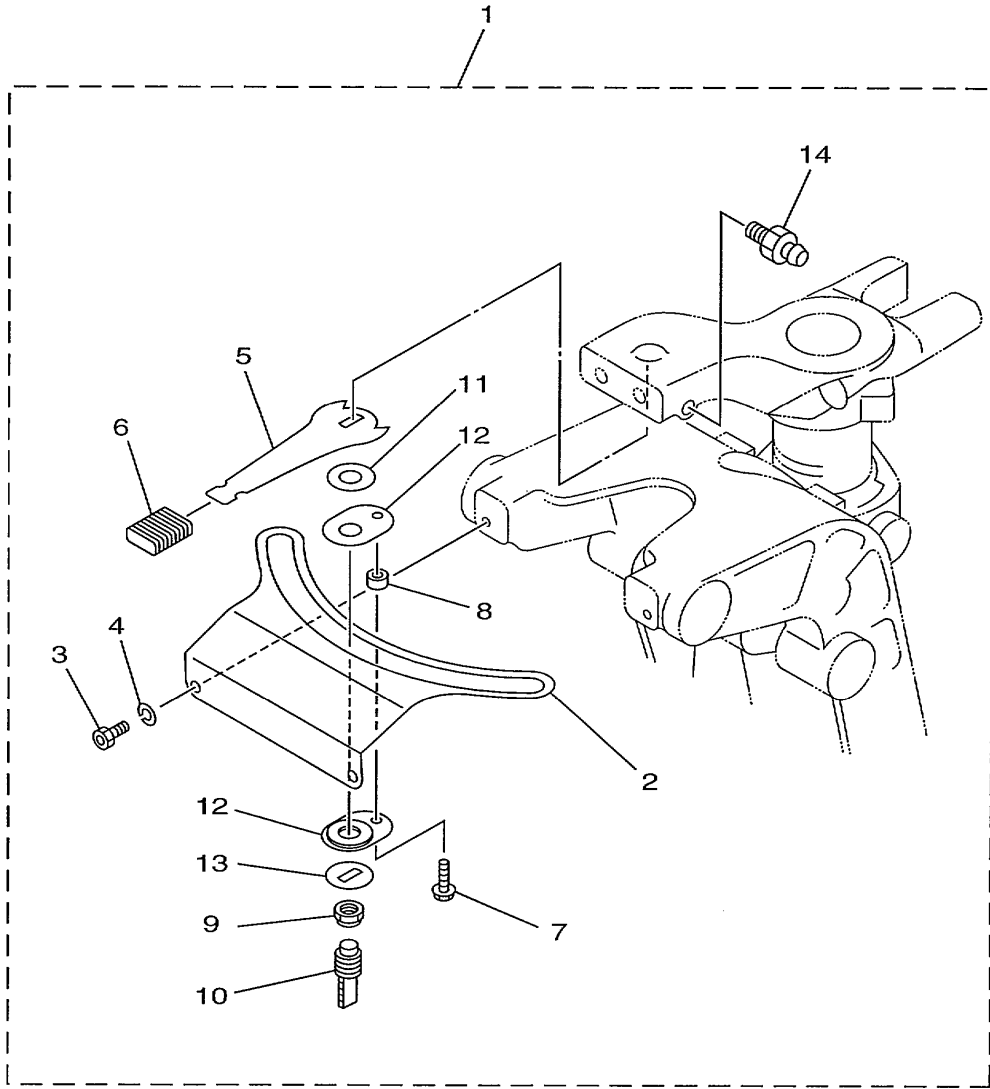
Part Notes

F25MLHX 1999 / STEERING 1 MH EH

| PART NUMBER | NOTE TEXT |
|--|--|
| 90468-18008-00  | OEM: This part number is among the Top 100 Most Popular Marine Maintenance Parts as of March 2014. |

©2014 Yamaha Motor Corporation, U.S.A. All rights reserved.

F25MLHX 1999 / STEERING 2 MH EH



65WJA-8150

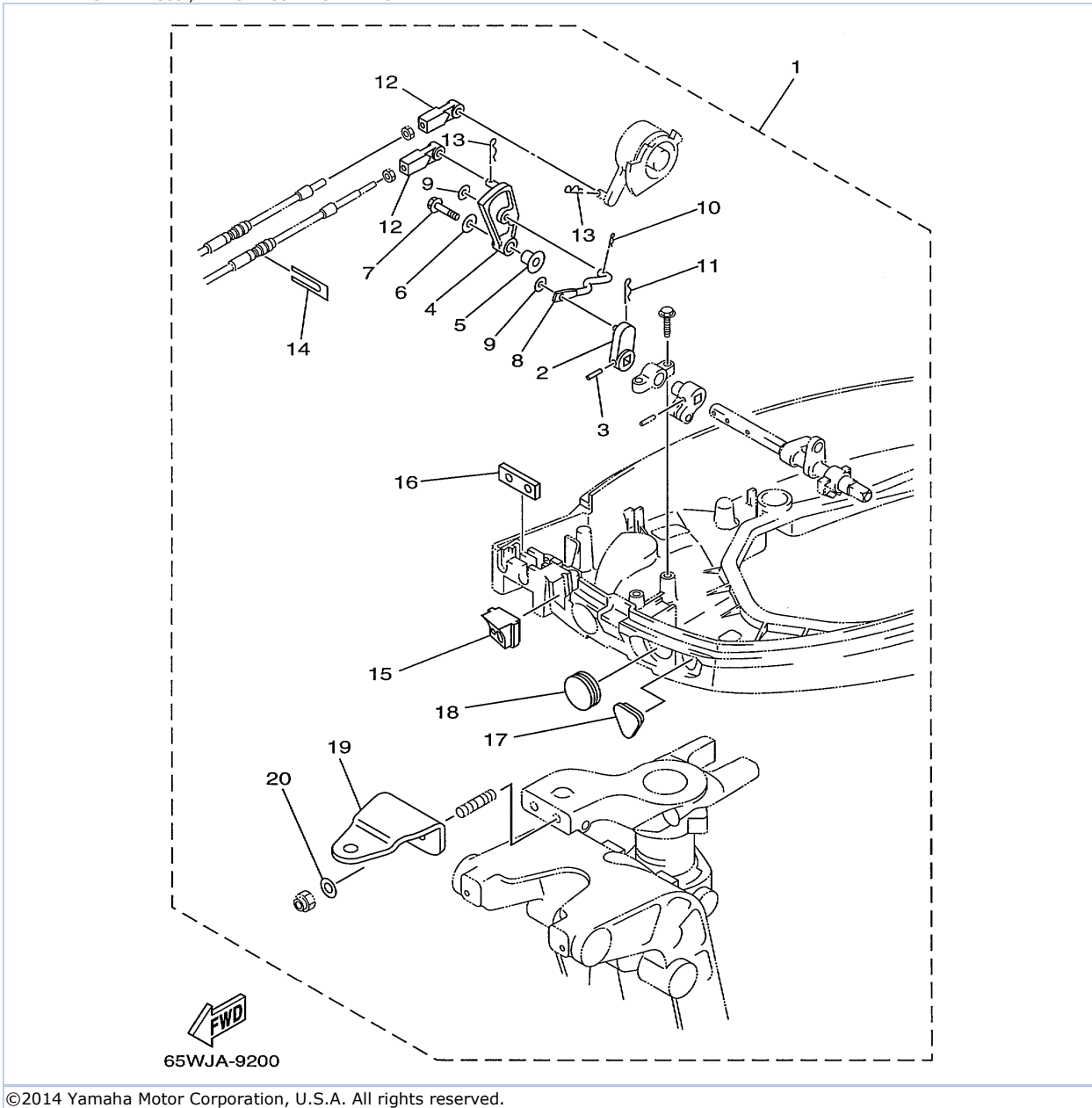
©2014 Yamaha Motor Corporation, U.S.A. All rights reserved.

Part List

F25MLHX 1999 / STEERING 2 MH EH

| REF - NO | PART NUMBER | PART NAME | QUANTITY | REMARKS |
|----------------|-----------------|------------------------|----------|---------|
| 1 | 65W-42508-00-00 | STEERING FRICTION ASSY | 1 | |
| 2 | 65W-42527-00-00 | .PLATE, FRICTION | 1 | |
| 3 | 90109-06M50-00 | .BOLT | 2 | |
| 4 | 92990-06100-00 | .WASHER, SPRING | 2 | |
| 5 | 65W-42561-00-00 | .KNOB, STEERING LOCK | 1 | |
| 6 | 689-43633-00-00 | .COVER, TILT LEVER | 1 | |
| 7 | 97595-05516-00 | .BOLT, WITH WASHER | 1 | |
| 8 | 90387-05M11-00 | .COLLAR | 1 | |
| 9 | 90185-10M14-00 | .NUT, SELF-LOCKING | 1 | |
| 10 | 65W-42562-00-00 | .SHAFT, STEERING LOCK | 1 | |
| 11 | 90202-10M56-00 | .WASHER, PLATE | 1 | |
| 12 | 65W-42528-00-00 | .PLATE, FRICTION | 2 | |
| 13 | 90209-10M26-00 | .WASHER | 1 | |
| 14 | 93700-06M03-00 | .NIPPLE, GREASE | 1 | |

F25MLHX 1999 / REMOTE CONTROL ATTACHMENT MH EH





Part List

F25MLHX 1999 / REMOTE CONTROL ATTACHMENT MH EH

| REF - NO | PART NUMBER | PART NAME | QUANTITY | REMARKS |
|----------------|-----------------|----------------------------------|----------|---------|
| 1 | 65W-48501-00-00 | REMOTE CONT. ATTACHMENT ASSY. | 1 | |
| 2 | 65W-44142-00-00 | .JOINT | 1 | |
| 3 | 91690-30320-00 | .PIN, SPRING | 1 | |
| 4 | 65W-44125-00-00 | .LEVER, SHIFT ROD | 1 | |
| 5 | 90387-06M29-00 | .COLLAR | 1 | |
| 6 | 90201-06M31-00 | .WASHER, PLATE | 1 | |
| 7 | 97595-06525-00 | .BOLT, WITH WASHER | 1 | |
| 8 | 65W-44192-00-00 | .JOINT, ROD 1 | 1 | |
| 9 | 90201-05M06-00 | .WASHER, PLATE | 2 | |
| 10 | 90468-10005-00 | .CLIP | 1 | |
| 11 | 90468-18008-00 | .CLIP | 1 | |
| 12 | 663-48344-00-00 | .CABLE END, REMOTE CONTROL | 2 | |
| 13 | 90468-18008-00 | .CLIP | 2 | |
| 14 | 6H3-48538-00-00 | .CLAMP, CABLE 1 | 1 | |
| 15 | 65W-42725-20-00 | .GROMMET | 1 | |
| 16 | 62Y-42727-00-00 | .GROMMET | 1 | |
| 17 | 65W-26326-10-00 | .GROMMET | 1 | |
| 18 | 65W-42726-10-00 | .GROMMET | 1 | |
| 19 | 65W-48511-00-00 | .HOOK, STEERING | 1 | |
| 20 | 90201-10120-00 | .WASHER, PLATE | 2 | |

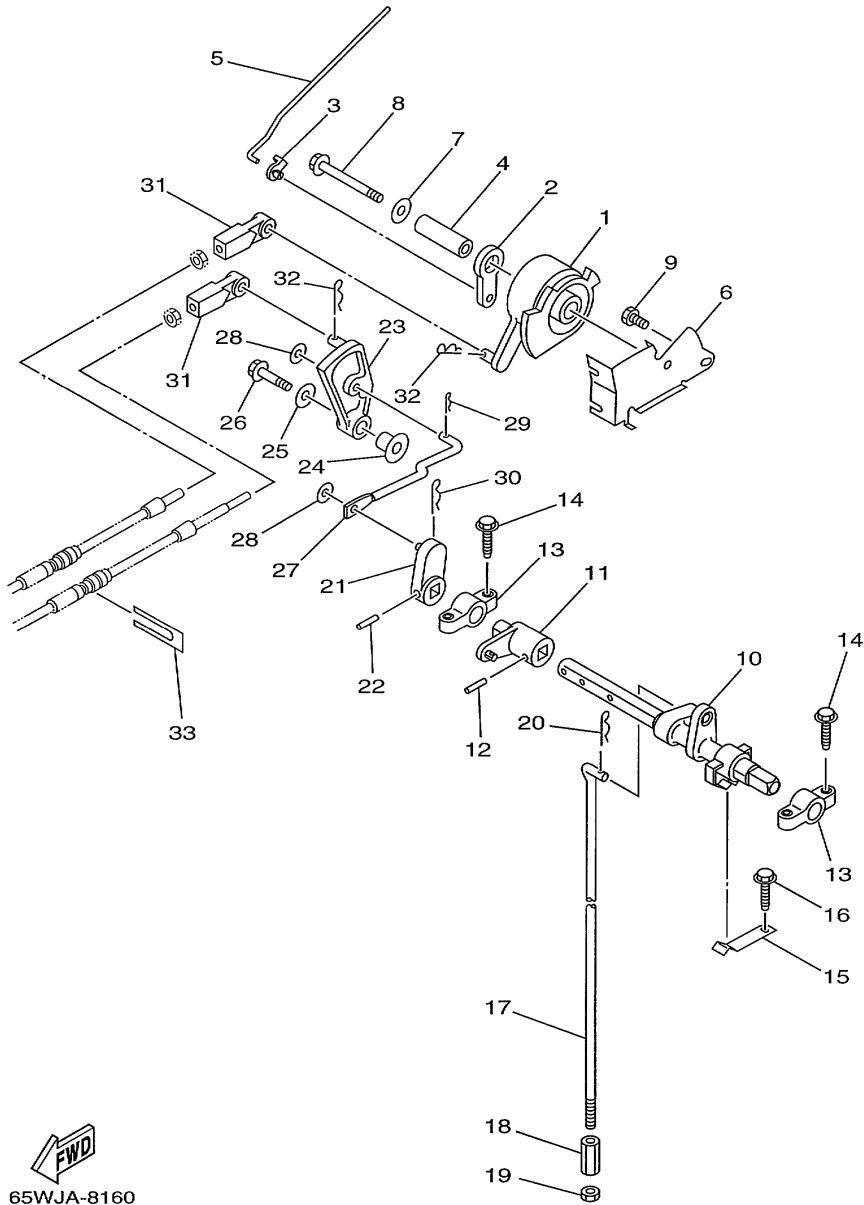
Part Notes

F25MLHX 1999 / REMOTE CONTROL ATTACHMENT MH EH

| PART NUMBER | | NOTE TEXT |
|----------------|---|--|
| 90468-18008-00 |  | OEM: This part number is among the Top 100 Most Popular Marine Maintenance Parts as of March 2014. |
| 90468-18008-00 |  | OEM: This part number is among the Top 100 Most Popular Marine Maintenance Parts as of March 2014. |

©2014 Yamaha Motor Corporation, U.S.A. All rights reserved.

F25MLHX 1999 / CONTROL



65WJA-8160

©2014 Yamaha Motor Corporation, U.S.A. All rights reserved.




Part List

F25MLHX 1999 / CONTROL

| REF - NO | PART NUMBER | PART NAME | QUANTITY | REMARKS |
|----------------|-----------------|----------------------------|----------|----------|
| 1 | 65W-41638-00-00 | PULLEY | 1 | |
| 2 | 65W-41283-00-00 | .LEVER, FREE ACCEL. | 1 | |
| 3 | 661-41262-02-00 | JOINT, CHOKE LEVER | 1 | |
| 4 | 90387-06M08-00 | COLLAR | 1 | |
| 5 | 65W-41211-00-00 | LINK, ACCEL. | 1 | |
| 6 | 65W-14497-01-00 | STAY, THROTTLE WIRE | 1 | |
| 7 | 90201-06M31-00 | .WASHER, PLATE | 1 | |
| 8 | 97595-06555-00 | BOLT, WITH WASHER | 1 | |
| 9 | 97095-06010-00 | BOLT | 1 | |
| 10 | 65W-44121-00-00 | LEVER, SHIFT ROD | 1 | |
| 11 | 65W-44122-00-00 | BUSHING, SHIFT ROD LEVER | 1 | |
| 12 | 91690-30320-00 | PIN, SPRING | 1 | |
| 13 | 6F5-41662-00-00 | BRACKET 2 | 2 | |
| 14 | 90109-06M81-00 | BOLT | 4 | |
| 15 | 65W-44116-00-00 | SPRING | 1 | |
| 16 | 90109-06M86-00 | BOLT | 1 | |
| 17 | 65W-44143-00-00 | ROD, SHIFT | 1 | UR SHORT |
| 17 | 65W-44143-10-00 | ROD, SHIFT | 1 | UR LONG |
| 18 | 90170-06015-00 | NUT | 1 | |
| 19 | 95380-06700-00 | NUT | 1 | |
| 20 | 90468-18008-00 | CLIP | 1 | |
| 21 | 65W-44142-00-00 | .JOINT | 1 | |
| 22 | 91690-30320-00 | PIN, SPRING | 1 | |
| 23 | 65W-44125-00-00 | .LEVER, SHIFT ROD | 1 | |
| 24 | 90387-06M29-00 | COLLAR | 1 | |
| 25 | 90201-06M31-00 | .WASHER, PLATE | 1 | |
| 26 | 97595-06525-00 | BOLT, WITH WASHER | 1 | |
| 27 | 65W-44192-00-00 | .JOINT, ROD 1 | 1 | |
| 28 | 90201-05M06-00 | .WASHER, PLATE | 2 | |
| 29 | 90468-10005-00 | CLIP | 1 | |
| 30 | 90468-18008-00 | CLIP | 1 | |
| 31 | 663-48344-00-00 | .CABLE END, REMOTE CONTROL | 2 | UR ER |
| 32 | 90468-18008-00 | CLIP | 2 | UR ER |
| 33 | 6H3-48538-00-00 | .CLAMP, CABLE 1 | 1 | UR ER |

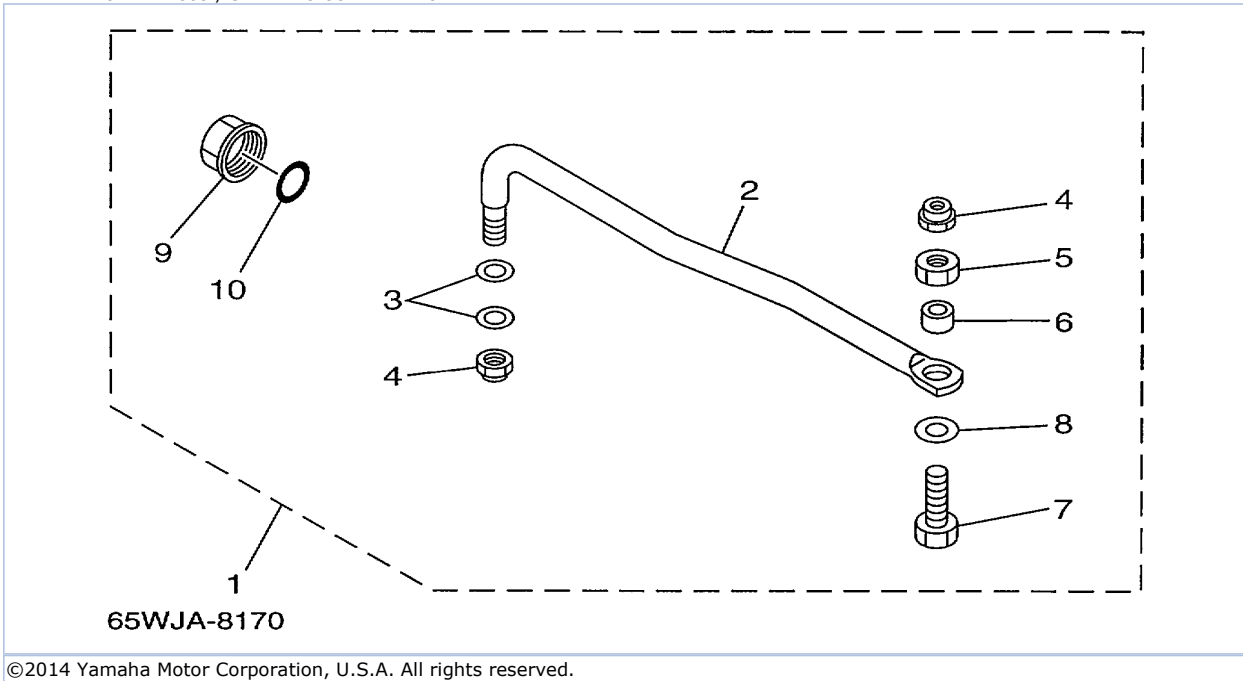
Part Notes

F25MLHX 1999 / CONTROL

| PART NUMBER | | NOTE TEXT |
|----------------|---|--|
| 90468-18008-00 |  | OEM: This part number is among the Top 100 Most Popular Marine Maintenance Parts as of March 2014. |
| 90468-18008-00 |  | OEM: This part number is among the Top 100 Most Popular Marine Maintenance Parts as of March 2014. |
| 90468-18008-00 |  | OEM: This part number is among the Top 100 Most Popular Marine Maintenance Parts as of March 2014. |

©2014 Yamaha Motor Corporation, U.S.A. All rights reserved.

F25MLHX 1999 / STEERING GUIDE ATTACHMENT ER TRX



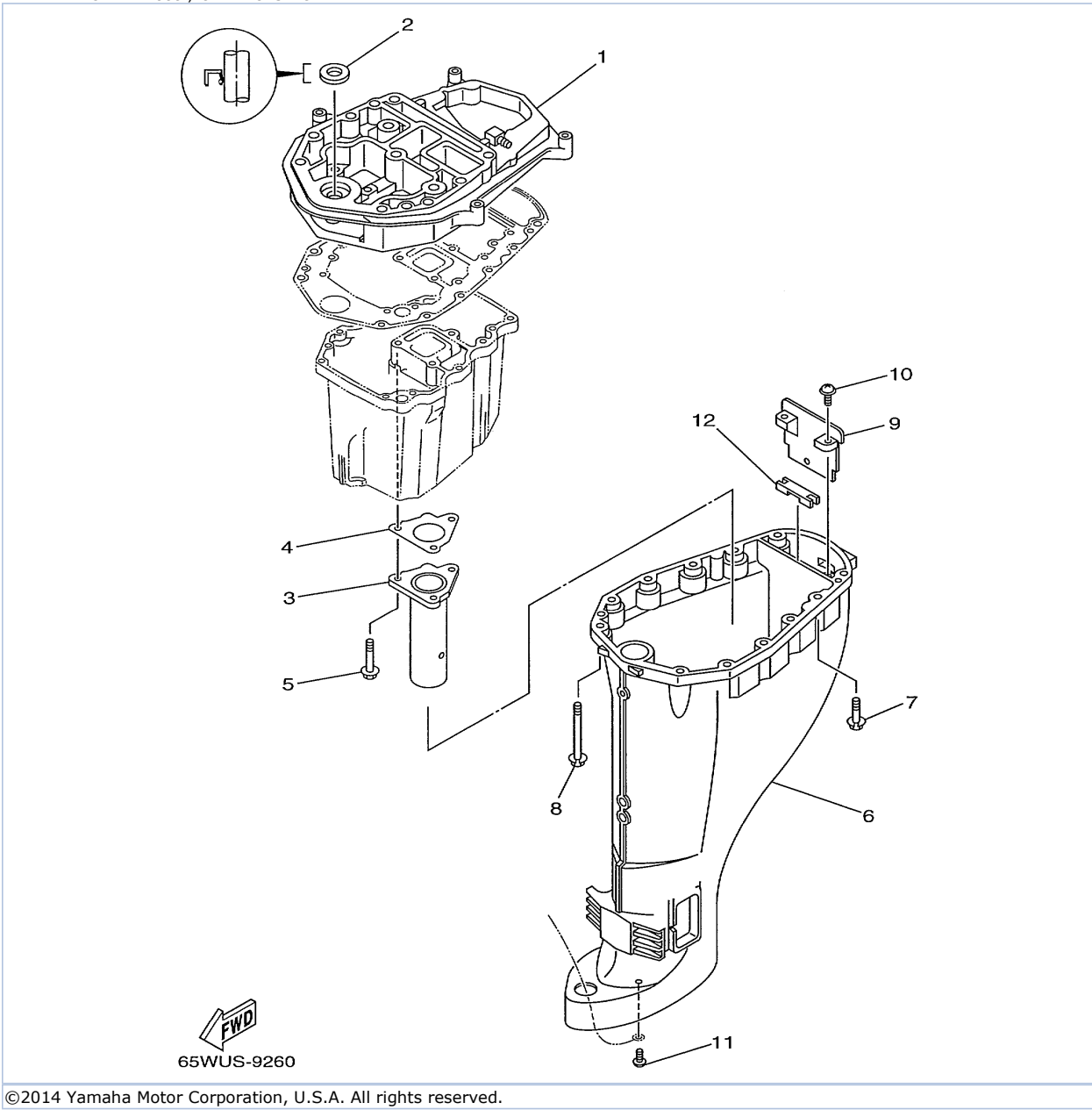
©2014 Yamaha Motor Corporation, U.S.A. All rights reserved.

Part List

F25MLHX 1999 / STEERING GUIDE ATTACHMENT ER TRX

| REF - NO | PART NUMBER | PART NAME | QUANTITY | REMARKS |
|----------------|-----------------|----------------------------------|----------|---------|
| 1 | 65W-61350-00-00 | STEERING GUIDE ATTACHMENT KIT | 1 | |
| 2 | 65W-61351-00-00 | .ROD, STEERING LINK | 1 | |
| 3 | 90201-10M20-00 | .WASHER, PLATE | 2 | |
| 4 | 90185-09M01-00 | .NUT, SELF-LOCKING | 2 | |
| 5 | 90170-09M03-00 | .NUT | 1 | |
| 6 | 90387-10M42-00 | .COLLAR | 1 | |
| 7 | 90101-09M01-00 | .BOLT | 1 | |
| 8 | 90201-10M63-00 | .WASHER, PLATE | 1 | |
| 9 | 6E5-43145-01-00 | .CAP, CLAMP BRACKET | 1 | |
| 10 | 93210-16275-00 | .O-RING | 1 | |

F25MLHX 1999 / UPPER CASING

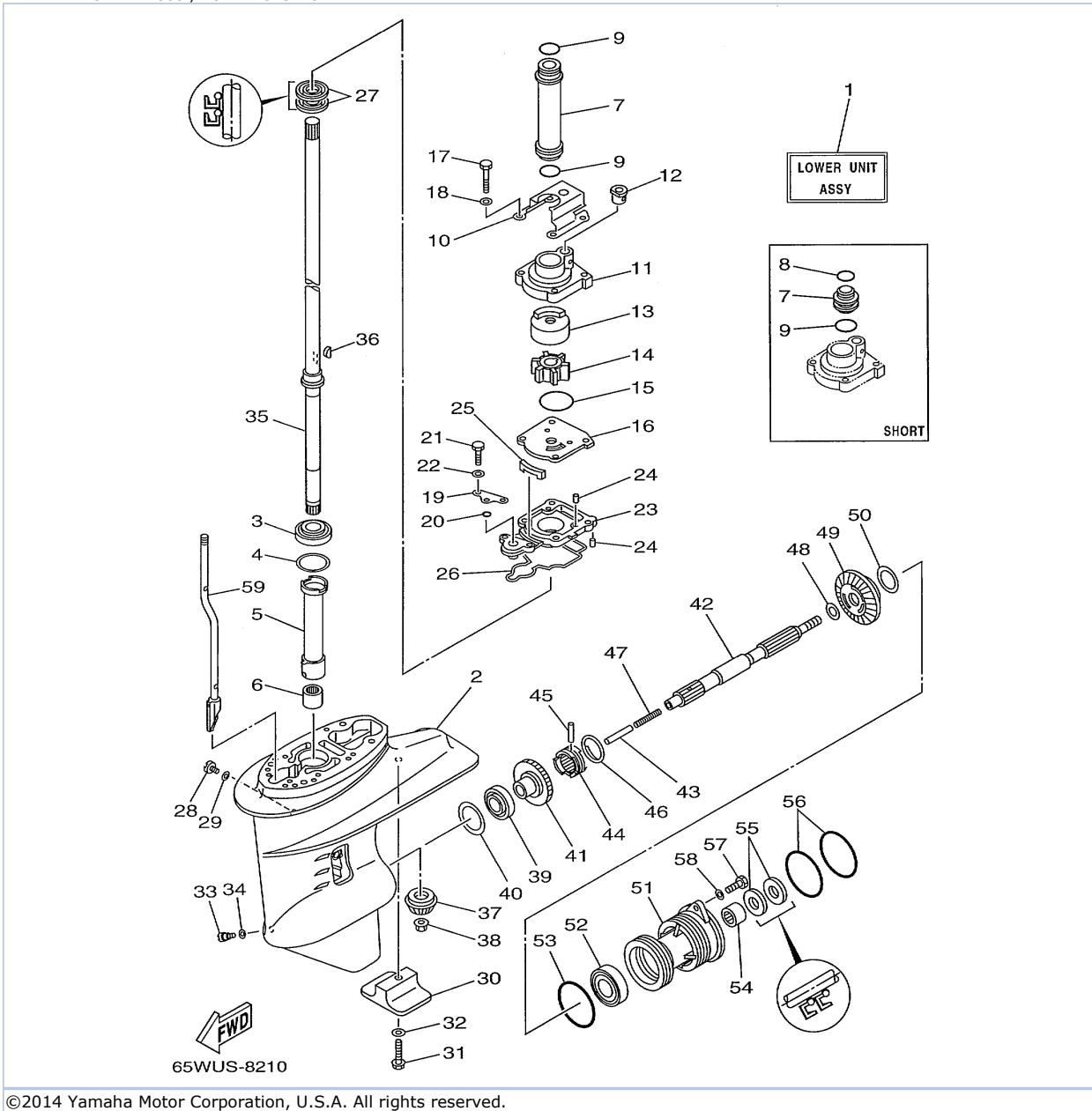


Part List

F25MLHX 1999 / UPPER CASING

| REF - NO | PART NUMBER | PART NAME | QUANTITY | REMARKS |
|----------------|-----------------|-------------------------------|----------|----------|
| 1 | 65W-41137-01-94 | GUIDE, EXHAUST | 1 | |
| 2 | 93104-16M01-00 | .OIL SEAL | 1 | |
| 3 | 62Y-41131-02-94 | MANIFOLD, EXT. 1 | 1 | |
| 4 | 62Y-41133-00-00 | GASKET, EXHAUST MANIFOLD 1 | 1 | |
| 5 | 97575-06545-00 | BOLT, WITH WASHER | 3 | |
| 6 | 65W-45111-00-4D | CASING, UPPER | 1 | UR SHORT |
| 6 | 65W-45111-10-4D | CASING, UPPER | 1 | UR LONG |
| 7 | 90119-08M79-00 | BOLT, WITH WASHER | 4 | |
| 8 | 90119-08M82-00 | BOLT, WITH WASHER | 8 | |
| 9 | 65W-45151-00-00 | COVER, UPPER CASING | 1 | |
| 10 | 97980-05216-00 | SCREW, WITH WASHER | 2 | |
| 11 | 90157-06M06-00 | SCREW, PAN HEAD | 1 | |
| 12 | 65W-45128-00-00 | .SEAL 2 | 1 | |

F25MLHX 1999 / LOWER CASING DRIVE 1



Part List




F25MLHX 1999 / LOWER CASING DRIVE 1

| REF - NO | PART NUMBER | PART NAME | QUANTITY | REMARKS |
|----------|-----------------|-------------------------|----------|----------|
| 1 | 65W-45300-00-4D | LOWER UNIT ASSY | 1 | UR SHORT |
| 1 | 65W-45300-10-4D | LOWER UNIT ASSY | 1 | UR LONG |
| 2 | 61N-45311-02-4D | CASING, LOWER | 1 | |
| 3 | 93332-000W5-00 | BEARING | 1 | |
| 4 | 61N-45587-00-07 | SHIM (T:0.7MM) | 1 | UR |
| 4 | 61N-45587-00-10 | SHIM (T:1.0MM) | 1 | UR |
| 4 | 61N-45587-00-11 | SHIM (T:1.1MM) | 1 | UR |
| 4 | 61N-45587-00-12 | SHIM (T:1.2MM) | 1 | UR |
| 4 | 61N-45587-00-13 | SHIM (T:1.3MM) | 1 | UR |
| 4 | 61N-45587-00-14 | SHIM (T:1.4MM) | 1 | UR |
| 4 | 61N-45587-00-15 | SHIM (T:1.5MM) | 1 | UR |
| 4 | 61N-45587-00-16 | SHIM (T:1.6MM) | 1 | UR |
| 5 | 61N-45536-00-00 | SLEEVE, DRIVE SHAFT | 1 | |
| 6 | 93315-220V7-00 | BEARING | 1 | |
| 7 | 61N-44362-10-00 | TUBE, WATER 2 | 1 | UR LONG |
| 7 | 61N-44362-00-00 | TUBE, WATER 2 | 1 | UR SHORT |
| 8 | 93210-22164-00 | .O-RING | 1 | UR SHORT |
| 9 | 93210-26130-00 | .O-RING | 1 | UR SHORT |
| 9 | 93210-26130-00 | .O-RING | 2 | UR LONG |
| 10 | 65W-44328-00-00 | PLATE | 1 | UR LONG |
| 11 | 61N-44311-01-00 | .HOUSING, WATER PUMP | 1 | |
| 12 | 6L2-44367-00-00 | .DAMPER, WATER SEAL 3 | 1 | |
| 13 | 61N-44322-01-00 | .INSERT, CARTRIDGE | 1 | |
| 14 | 6H4-44352-02-00 | .IMPELLER | 1 | |
| 15 | 93210-45161-00 | .O-RING | 1 | |
| 16 | 61N-44323-00-00 | .OUTER PLATE, CARTRIDGE | 1 | |
| 17 | 97095-06040-00 | .BOLT | 4 | |
| 18 | 92995-06600-00 | WASHER | 4 | |
| 19 | 65W-44176-00-00 | BRACKET | 1 | |
| 20 | 93210-06ME6-00 | .O-RING | 1 | |
| 21 | 97095-06025-00 | BOLT | 2 | |
| 22 | 92995-06600-00 | WASHER | 2 | |
| 23 | 65W-45331-00-5B | HOUSING, BEARING | 1 | |
| 24 | 93604-10M03-00 | PIN, DOWEL | 3 | |
| 25 | 61N-45127-00-00 | SEAL | 1 | |
| 26 | 61N-45315-00-00 | .PACKING, LOWER CASING | 1 | |
| 27 | 93101-22067-00 | .OIL SEAL | 2 | |
| 28 | 90340-08M04-00 | PLUG, STRAIGHT SCREW | 1 | |
| 29 | 90430-08020-00 | .GASKET | 1 | |
| 30 | 61N-45251-00-00 | ANODE | 1 | |
| 31 | 95895-06035-00 | BOLT, FLANGE | 1 | |
| 32 | 92990-06300-00 | WASHER, INTERNAL TOOTH | 1 | |
| 33 | 688-45341-00-00 | PLUG, DRAIN | 1 | |
| 34 | 90430-08020-00 | .GASKET | 1 | |
| 35 | 61N-45510-10-00 | DRIVE SHAFT ASSY | 1 | UR LONG |
| 35 | 61N-45510-00-00 | DRIVE SHAFT ASSY | 1 | UR SHORT |
| 36 | 90280-03024-00 | .KEY, WOODRUFF | 1 | |
| 37 | 61N-45551-00-00 | PINION (13T) | 1 | |
| 38 | 90179-10M14-00 | NUT | 1 | |
| 39 | 93332-00005-00 | BEARING | 1 | |
| 40 | 6L2-45567-00-10 | SHIM (T:1.0MM) | 1 | UR |
| 40 | 6L2-45567-00-11 | SHIM (T:1.1MM) | 1 | UR |
| 40 | 6L2-45567-00-12 | SHIM (T:1.2MM) | 1 | UR |
| 40 | 6L2-45567-00-13 | SHIM (T:1.3MM) | 1 | UR |

| | | | | |
|----|-----------------|---------------------|---|----------|
| 40 | 6L2-45567-00-14 | SHIM (T:1.4MM) | 1 | UR |
| 41 | 61N-45560-00-00 | GEAR | 1 | |
| 42 | 6L2-45611-00-00 | SHAFT, PROPELLER | 1 | |
| 43 | 648-45635-00-00 | PLUNGER, SHIFT | 1 | |
| 44 | 664-45631-01-00 | CLUTCH, DOG | 1 | |
| 45 | 90250-05010-00 | PIN, STRAIGHT | 1 | |
| 46 | 648-45633-00-00 | RING, CROSS PIN | 1 | |
| 47 | 90501-10065-00 | SPRING, COMPRESSION | 1 | |
| 48 | 90201-20417-00 | WASHER, PLATE | 1 | |
| 49 | 61N-45571-00-00 | GEAR 2 (27T) | 1 | |
| 50 | 6L2-45577-00-10 | SHIM (T:1.0MM) | 1 | UR |
| 50 | 6L2-45577-00-11 | SHIM (T:1.1MM) | 1 | UR |
| 50 | 6L2-45577-00-12 | SHIM (T:1.2MM) | 1 | UR |
| 50 | 6L2-45577-00-13 | SHIM (T:1.3MM) | 1 | UR |
| 51 | 61N-45361-01-4D | CAP, LOWER CASING | 1 | |
| 52 | 93306-00612-00 | BEARING | 1 | |
| 53 | 93210-64ME7-00 | .O-RING | 1 | |
| 54 | 93315-22004-00 | BEARING | 1 | |
| 55 | 93101-20M07-00 | .OIL SEAL | 2 | |
| 56 | 93210-65M50-00 | .O-RING | 2 | |
| 57 | 97075-06020-00 | BOLT | 2 | |
| 58 | 92995-06600-00 | WASHER | 2 | |
| 59 | 65W-44150-00-00 | SHIFT CAM ASSY | 1 | UR SHORT |
| 59 | 65W-44150-10-00 | SHIFT CAM ASSY | 1 | UR LONG |

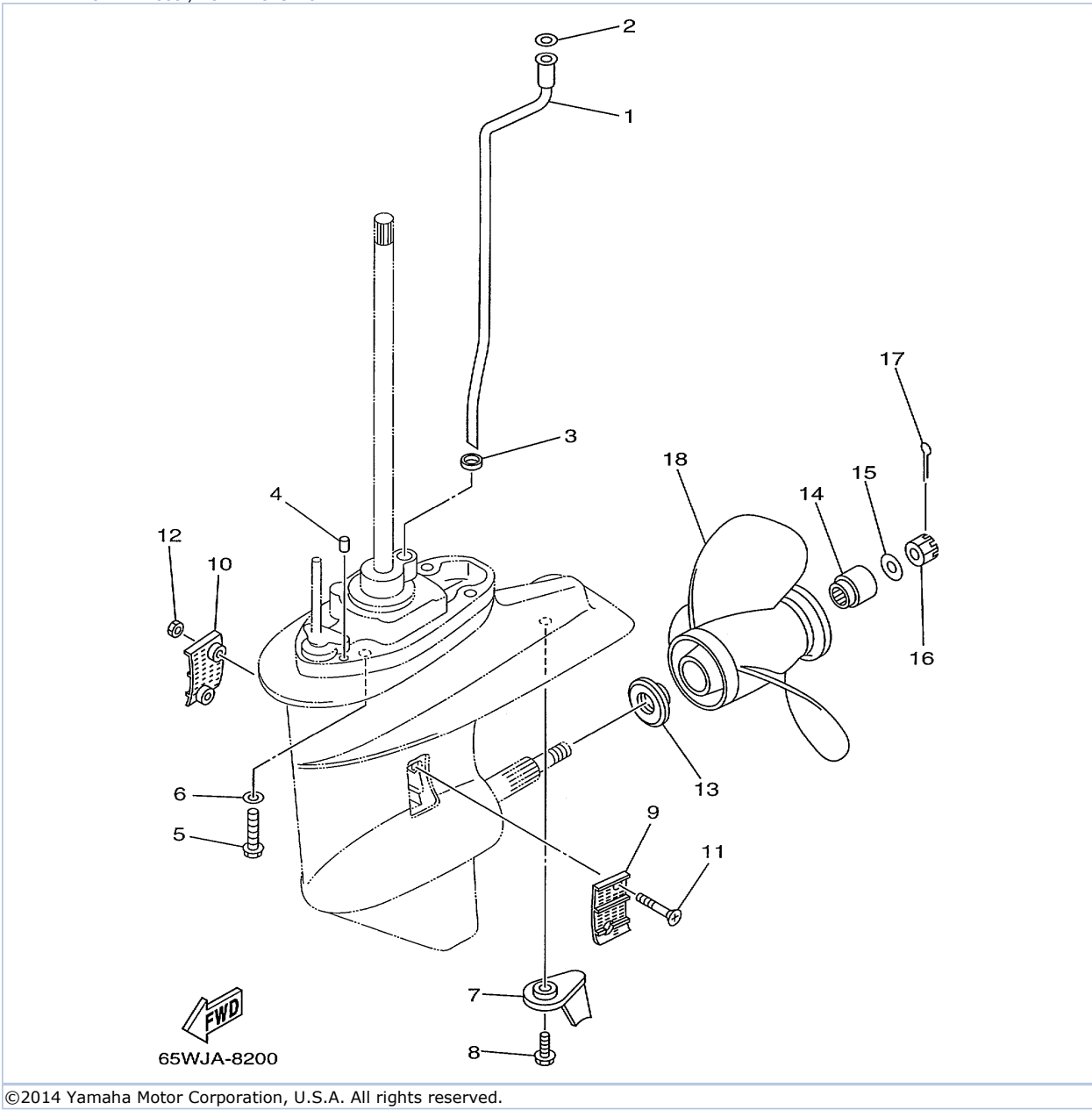
Part Notes

F25MLHX 1999 / LOWER CASING DRIVE 1

| PART NUMBER | | NOTE TEXT |
|-----------------|---|--|
| 6H4-44352-02-00 |  | OEM: This part number is among the Top 100 Most Popular Marine Maintenance Parts as of March 2014. |
| 90430-08020-00 |  | OEM: This part number is among the Top 100 Most Popular Marine Maintenance Parts as of March 2014. |
| 90430-08020-00 |  | OEM: This part number is among the Top 100 Most Popular Marine Maintenance Parts as of March 2014. |

©2014 Yamaha Motor Corporation, U.S.A. All rights reserved.

F25MLHX 1999 / LOWER CASING DRIVE 2

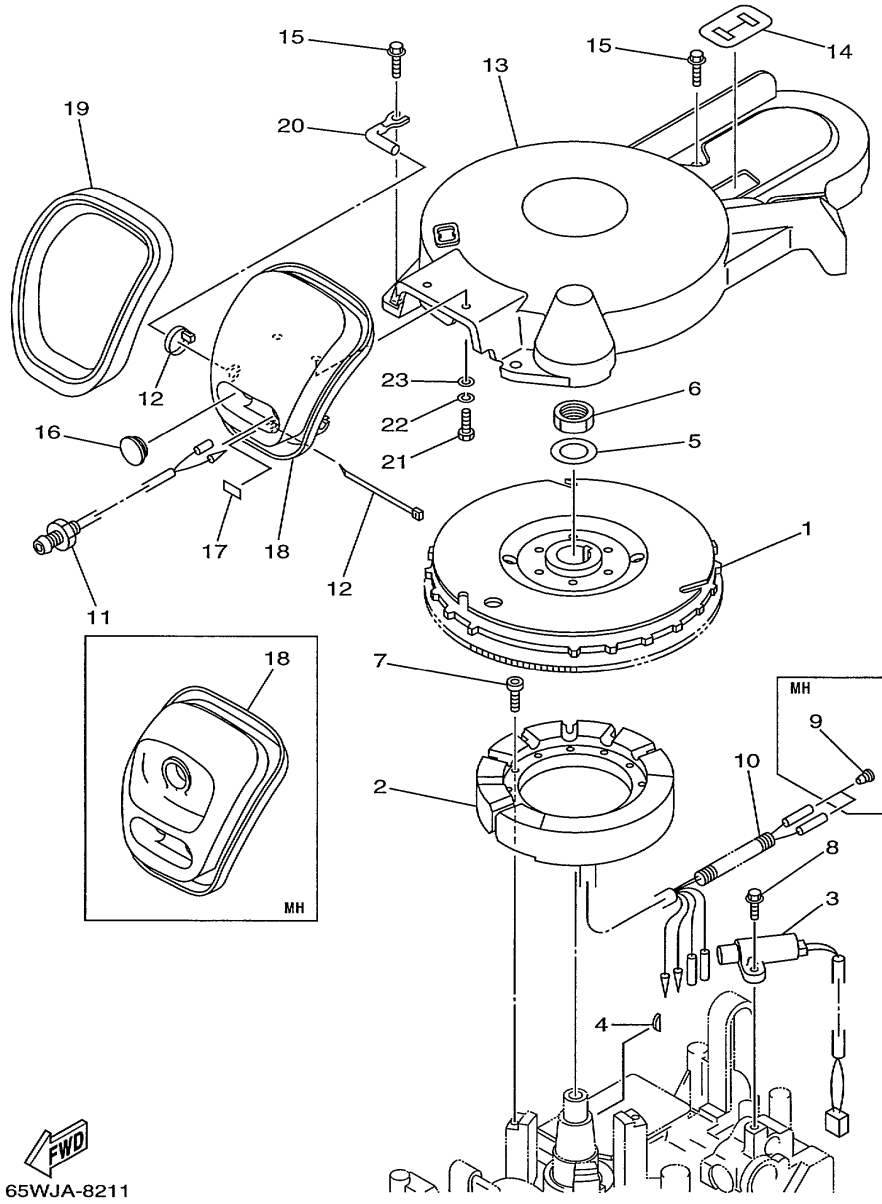


Part List

F25MLHX 1999 / LOWER CASING DRIVE 2

| REF - NO | PART NUMBER | PART NAME | QUANTITY | REMARKS |
|----------------|-----------------|--------------------------------|----------|------------------------------|
| 1 | 65W-44361-00-00 | TUBE, WATER | 1 | UR SHORT |
| 1 | 65W-44361-10-00 | TUBE, WATER | 1 | UR LONG |
| 2 | 90202-12060-00 | WASHER, PLATE | 1 | |
| 3 | 90430-12072-00 | GASKET | 1 | |
| 4 | 93606-12019-00 | .PIN, DOWEL | 2 | |
| 5 | 90105-10M12-00 | BOLT, FLANGE | 4 | |
| 6 | 92995-10600-00 | WASHER | 4 | |
| 7 | 61N-45371-00-00 | TAB-TRIM | 1 | |
| 8 | 90119-06M48-00 | BOLT, WITH WASHER | 1 | |
| 9 | 6L2-45214-00-00 | COVER, WATER INLET 1 | 1 | |
| 10 | 6L2-45215-00-00 | COVER, WATER INLET 2 | 1 | |
| 11 | 98780-05030-00 | SCREW, FLAT HEAD | 2 | |
| 12 | 90185-05002-00 | NUT, NYLON | 2 | |
| 13 | 6L2-45987-01-00 | SPACER 1 | 1 | |
| 14 | 689-45997-00-00 | SPACER 2 | 1 | |
| 15 | 92990-14200-00 | WASHER, PLAIN | 1 | |
| 16 | 90171-14013-00 | NUT, CASTLE | 1 | |
| 17 | 91490-30022-00 | PIN. COTTER | 1 | |
| 18 | 664-45972-00-98 | PROPELLER (3X9-1/8"X12"-F) | 1 | UR STAINLESS STEEL, WEEDLESS |
| 18 | 664-45970-00-98 | PROPELLER (3X9-1/8"X13"-F) | 1 | UR STAINLESS STEEL, WEEDLESS |
| 18 | 664-45954-00-EL | PROPELLER (3X9-7/8"X12"-F) | 1 | UR |
| 18 | 664-45952-00-EL | PROPELLER (3X9-7/8"X14"-F) | 1 | UR |
| 18 | 664-45949-02-EL | PROPELLER (3X9-7/8"X13"-F) | 1 | UR |
| 18 | 664-45947-01-EL | PROPELLER (3X9-7/8"X11-1/4"-F) | 1 | UR |
| 18 | 664-45945-00-EL | PROPELLER (3X9-7/8"X10-1/2"-F) | 1 | UR |
| 18 | 664-45943-01-EL | PROPELLER (3X9-7/8"X8"-F) | 1 | UR |
| 18 | 664-45941-01-EL | PROPELLER (3X9-7/8"X9"-F) | 1 | UR |

F25MLHX 1999 / GENERATOR




65WJA-8211

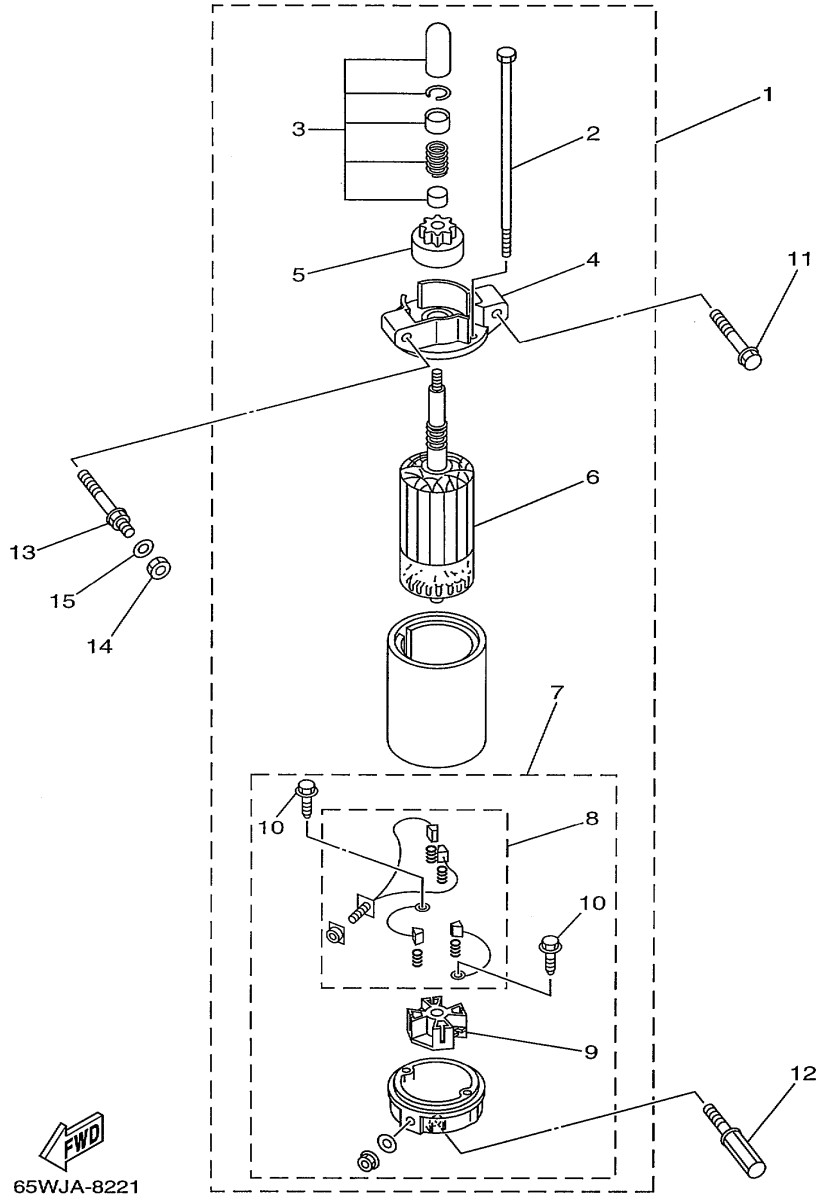
©2014 Yamaha Motor Corporation, U.S.A. All rights reserved.

Part List

F25MLHX 1999 / GENERATOR

| REF - NO | PART NUMBER | PART NAME | QUANTITY | REMARKS |
|----------------|-----------------|--------------------------------|----------|--------------|
| 1 | 65W-85550-00-00 | ROTOR ASSEMBLY | 1 | UR EH_ER_TRX |
| 1 | 65W-85550-10-00 | ROTOR ASSEMBLY | 1 | UR MH |
| 2 | 65W-85510-10-00 | STATOR ASSY | 1 | UR EH_ER_TRX |
| 2 | 65W-85510-00-00 | STATOR ASSY | 1 | UR MH |
| 3 | 65W-85580-00-00 | COIL, PULSER | 1 | |
| 4 | 65W-11545-00-00 | KEY, WOODRUFF | 1 | |
| 5 | 90201-21M18-00 | WASHER, PLATE | 1 | |
| 6 | 90170-20137-00 | NUT | 1 | |
| 7 | 91380-05030-00 | BOLT | 3 | UR EH_ER_TRX |
| 7 | 91380-05025-00 | BOLT | 3 | UR MH |
| 8 | 97595-05516-00 | BOLT, WITH WASHER | 2 | |
| 9 | 703-82119-00-00 | COVER, LEAD WIRE | 2 | |
| 10 | 90446-10M82-00 | HOSE | 1 | |
| 11 | 65W-85410-01-00 | EMERGENCY SIGNAL LIGHT ASSY | 1 | |
| 12 | 90465-11M10-00 | CLAMP | 2 | |
| 13 | 65W-81337-00-00 | COVER, FLYWHEEL | 1 | |
| 14 | 65W-81639-00-00 | PLATE, ARMATURE FITTING | 1 | |
| 15 | 97595-06525-00 | BOLT, WITH WASHER | 4 | |
| 16 | 6G1-42725-00-00 | GROMMET | 1 | |
| 17 | 65W-84342-00-00 | SEAT, EMBLEM | 1 | |
| 18 | 65W-15758-00-00 | GUIDE, ROPE | 1 | UR MH |
| 18 | 65W-15758-10-00 | GUIDE, ROPE | 1 | UR EH_ER_TRX |
| 19 | 65W-15762-00-00 | SEAL, RUBBER 2 | 1 | |
| 20 | 65W-15771-00-00 | STAY 1 | 1 | |
| 21 | 97095-06020-00 | BOLT | 2 | |
| 22 | 92995-06100-00 | WASHER, SPRING | 2 | |
| 23 | 92995-06600-00 | WASHER | 2 | |

F25MLHX 1999 / STARTING MOTOR EH ER TRX



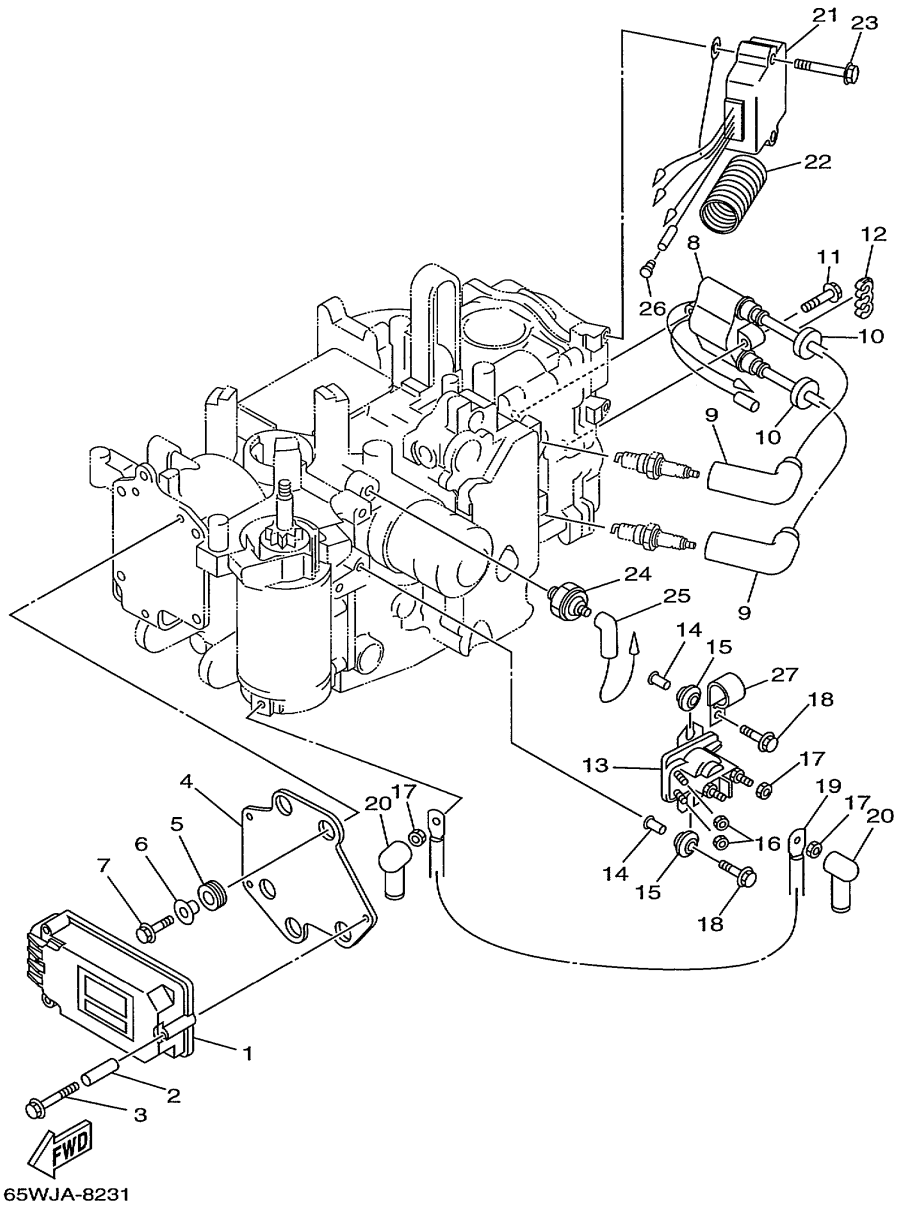
©2014 Yamaha Motor Corporation, U.S.A. All rights reserved.

Part List

F25MLHX 1999 / STARTING MOTOR EH ER TRX

| REF - NO | PART NUMBER | PART NAME | QUANTITY | REMARKS |
|----------------|-----------------|-------------------------------|----------|---------|
| 1 | 65W-81800-00-00 | STARTING MOTOR ASSEMBLY | 1 | |
| 2 | 65W-81826-00-00 | .BOLT | 2 | |
| 3 | 65W-81857-00-00 | .RETAINER | 1 | |
| 4 | 65W-81830-00-00 | .FRONT BRACKET ASSY | 1 | |
| 5 | 65W-81807-00-00 | .GEAR ASSY, STARTING MOTOR | 1 | |
| 6 | 65W-81850-00-00 | .ARMATURE ASSEMBLY | 1 | |
| 7 | 65W-81820-00-00 | .REAR BRACKET ASSY | 1 | |
| 8 | 65W-81801-00-00 | ..BRUSH SET | 1 | |
| 9 | 65W-81840-00-00 | ..BRUSH HOLDER ASSY | 1 | |
| 10 | 65W-8182S-00-00 | ..SCREW | 2 | |
| 11 | 90119-08M39-00 | BOLT, WITH WASHER | 1 | |
| 12 | 90109-08M77-00 | BOLT | 1 | |
| 13 | 90109-08M78-00 | BOLT | 1 | |
| 14 | 95380-08700-00 | NUT | 1 | |
| 15 | 92990-08600-00 | ..WASHER, PLATE | 1 | |

F25MLHX 1999 / ELECTRICAL 1



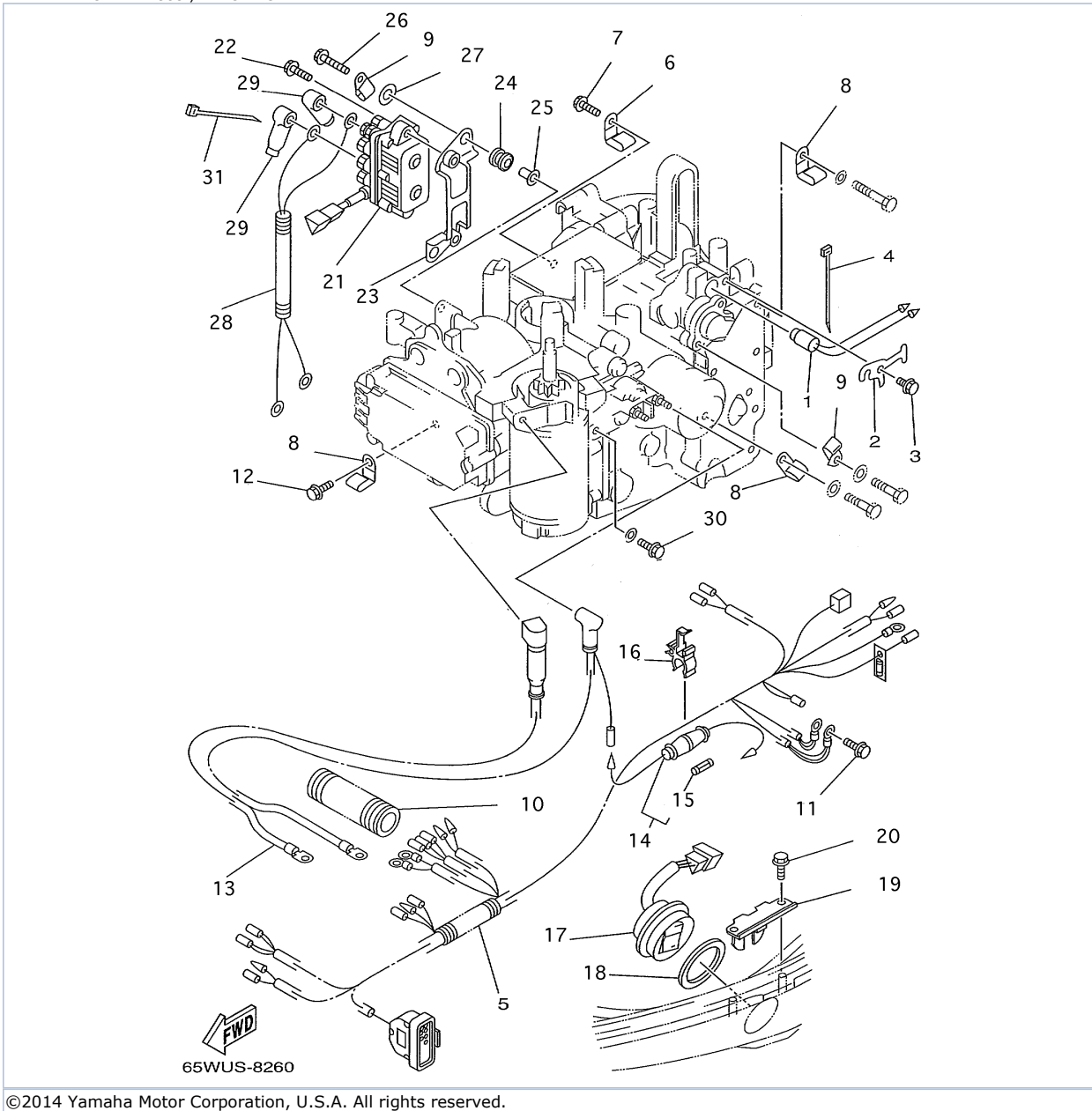
©2014 Yamaha Motor Corporation, U.S.A. All rights reserved.

Part List

F25MLHX 1999 / ELECTRICAL 1

| REF - NO | PART NUMBER | PART NAME | QUANTITY | REMARKS |
|----------------|-----------------|-------------------------------|----------|--------------|
| 1 | 65W-85540-10-00 | C.D.I. UNIT ASSEMBLY | 1 | |
| 2 | 65W-86129-00-00 | COLLAR | 3 | |
| 3 | 65W-8252V-00-00 | SCREW, SPECIAL | 3 | |
| 4 | 65W-85542-00-00 | BRACKET | 1 | |
| 5 | 65W-85547-00-00 | DAMPER | 3 | |
| 6 | 65W-86129-10-00 | COLLAR | 3 | |
| 7 | 65W-8252V-10-00 | SCREW, SPECIAL | 3 | |
| 8 | 65W-85570-00-00 | IGNITION COIL ASSY | 1 | |
| 9 | 6G8-82370-30-00 | PLUG CAP ASSY | 2 | |
| 10 | 90480-25161-00 | GROMMET | 2 | |
| 11 | 97595-06530-00 | .BOLT, WITH WASHER | 2 | |
| 12 | 90464-07M05-00 | CLAMP | 1 | |
| 13 | 65W-81941-00-00 | STARTER RELAY ASSY | 1 | |
| 14 | 65W-8191C-00-00 | COLLAR | 2 | |
| 15 | 65W-81922-00-00 | GROMMET | 2 | |
| 16 | 65W-8182A-00-00 | NUT | 2 | |
| 17 | 65W-8182B-00-00 | NUT, SPECIAL | 3 | |
| 18 | 97595-06516-00 | BOLT, WITH WASHER | 1 | UR MH |
| 18 | 97595-06525-00 | BOLT, WITH WASHER | 2 | UR EH_ER-TRX |
| 19 | 65W-82117-00-00 | WIRE, LEAD | 1 | |
| 20 | 6G5-82119-10-00 | COVER, LEAD WIRE | 2 | |
| 21 | 65W-81960-00-00 | RECTIFIER & REGULATOR ASSY | 1 | |
| 22 | 6K3-83557-00-00 | TUBE | 1 | |
| 23 | 97595-06540-00 | BOLT, WITH WASHER | 2 | |
| 24 | 65W-82504-00-00 | OIL PRESSURE SWITCH ASSY | 1 | |
| 25 | 65W-82127-00-00 | WIRE, LEAD 2 | 1 | |
| 26 | 703-82119-00-00 | COVER, LEAD WIRE | 1 | |
| 27 | 65W-8339X-00-00 | CLAMP, CORD | 1 | |

F25MLHX 1999 / ELECTRICAL 2

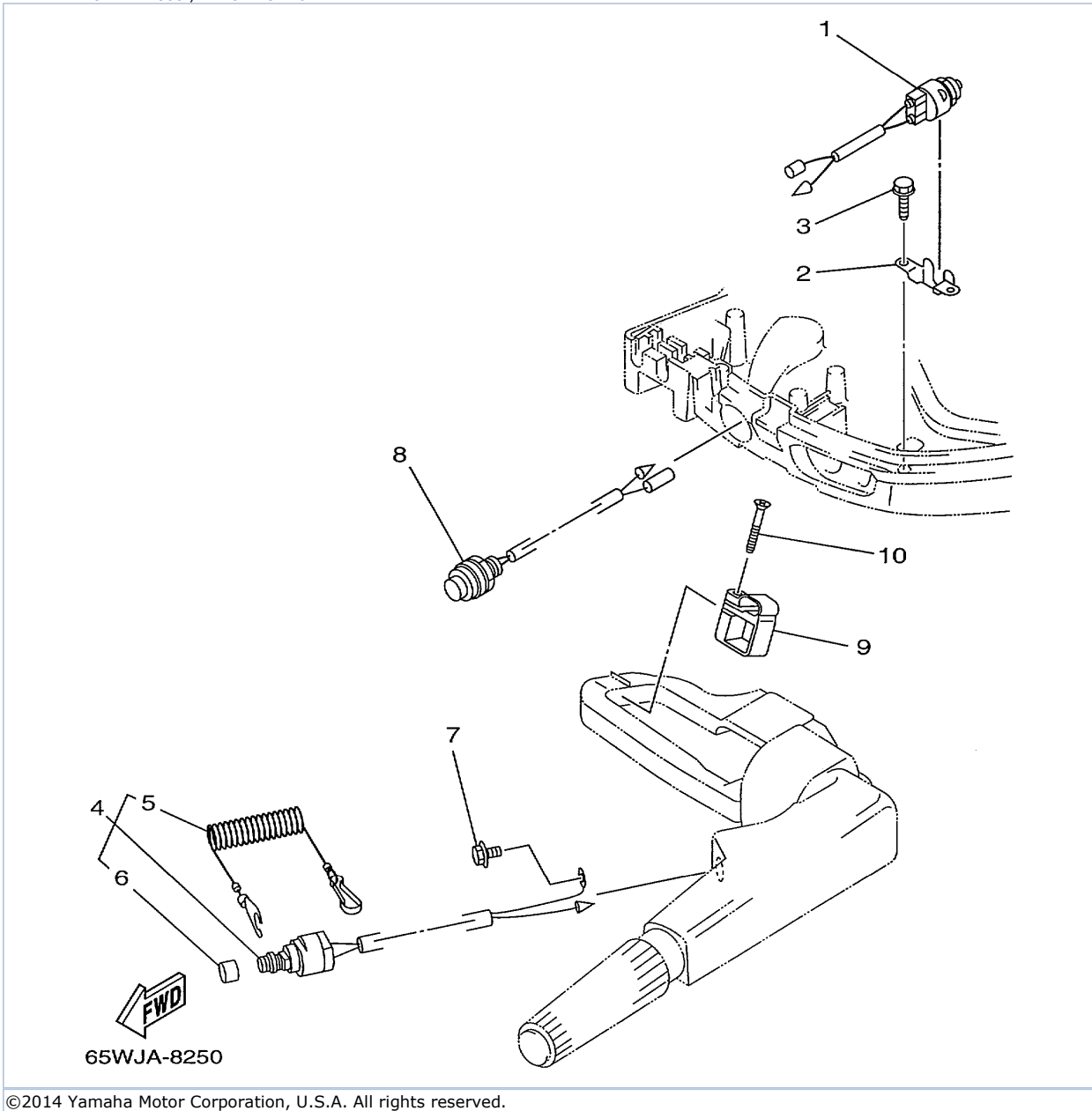


Part List

F25MLHX 1999 / ELECTRICAL 2

| REF - NO | PART NUMBER | PART NAME | QUANTITY | REMARKS |
|----------------|-----------------|-------------------------|----------|--------------|
| 1 | 65W-85790-00-00 | THERMOSENSOR ASSY | 1 | |
| 2 | 65W-85757-00-00 | RETAINER | 1 | |
| 3 | 97595-06512-00 | BOLT, WITH WASHER | 1 | |
| 4 | 90465-11M10-00 | CLAMP | 1 | |
| 5 | 65W-82590-40-00 | WIRE HARNESS ASSY | 1 | UR MH |
| 5 | 65W-82590-00-00 | WIRE HARNESS ASSY | 1 | UR EH |
| 5 | 65W-82590-20-00 | WIRE HARNESS ASSY (10P) | 1 | UR ER |
| 5 | 65W-82590-30-00 | WIRE HARNESS ASSY (10P) | 1 | UR TRX |
| 6 | 90465-08M08-00 | CLAMP | 1 | UR TRX |
| 7 | 97595-06516-00 | BOLT, WITH WASHER | 1 | UR TRX |
| 8 | 90465-08M08-00 | CLAMP | 3 | |
| 9 | 90465-08M51-00 | CLAMP | 2 | |
| 10 | 6N7-83557-00-00 | TUBE (I.DIA:22MM) | 2 | I.DIA.: 22MM |
| 11 | 97595-06516-00 | BOLT, WITH WASHER | 2 | |
| 12 | 97595-05516-00 | BOLT, WITH WASHER | 1 | |
| 13 | 65W-82105-00-00 | BATTERY CABLE | 1 | |
| 14 | 6G8-82150-00-00 | FUSE HOLDER ASSY | 1 | |
| 15 | 663-82151-00-00 | .FUSE (12V-20A) | 1 | |
| 16 | 6G5-82152-00-00 | HOLDER, FUSE | 1 | |
| 17 | 6H1-82563-10-00 | TRIM & TILT SWITCH ASSY | 1 | UR TRX |
| 18 | 6E5-82587-00-00 | GASKET | 1 | UR TRX |
| 19 | 62Y-83614-00-00 | BRACKET | 1 | UR TRX |
| 20 | 90109-06M86-00 | BOLT | 2 | UR TRX |
| 21 | 61A-81950-00-00 | RELAY ASSY | 1 | UR TRX |
| 22 | 97575-06520-00 | BOLT, WITH WASHER | 2 | UR TRX |
| 23 | 65W-81948-00-00 | BRACKET | 1 | UR TRX |
| 24 | 6A0-82317-00-00 | DAMPER, IGNITION COIL | 2 | UR TRX |
| 25 | 624-42542-00-00 | PIPE | 2 | UR TRX |
| 26 | 95895-06030-00 | BOLT, FLANGE | 2 | UR TRX |
| 27 | 90201-12M16-00 | WASHER, PLATE | 2 | UR TRX |
| 28 | 65W-81949-00-00 | WIRE, LEAD | 1 | UR TRX |
| 29 | 682-82119-01-00 | COVER, LEAD WIRE | 4 | UR TRX |
| 30 | 97575-06516-00 | BOLT, WITH WASHER | 1 | UR TRX |
| 31 | 90465-11M10-00 | CLAMP | 1 | UR TRX |

F25MLHX 1999 / ELECTRICAL 3 MH EH



©2014 Yamaha Motor Corporation, U.S.A. All rights reserved.


Part List

F25MLHX 1999 / ELECTRICAL 3 MH EH

| REF - NO | PART NUMBER | PART NAME | QUANTITY | REMARKS |
|----------------|-----------------|-------------------------|----------|----------|
| 1 | 6H3-82540-00-00 | NEUTRAL SWITCH ASSY | 1 | UR EH |
| 2 | 6J8-82554-00-00 | STAY, NEUTRAL SWITCH | 1 | UR EH |
| 3 | 90109-06M86-00 | BOLT | 2 | UR EH |
| 4 | 65W-82575-00-00 | ENGINE STOP SWITCH ASSY | 1 | UR MH_EH |
| 5 | 682-82556-00-00 | .LANYARD, STOP SWITCH | 1 | UR MH_EH |
| 6 | 689-8257Y-00-00 | .CAP | 1 | UR MH_EH |
| 7 | 97595-06512-00 | BOLT, WITH WASHER | 1 | UR MH_EH |
| 8 | 65W-81870-00-00 | STARTING SWITCH ASSY | 1 | UR EH |
| 9 | 65W-82594-00-00 | CLAMP | 1 | UR EH |
| 10 | 90161-06M00-00 | SCREW, TAPPING | 1 | UR EH |

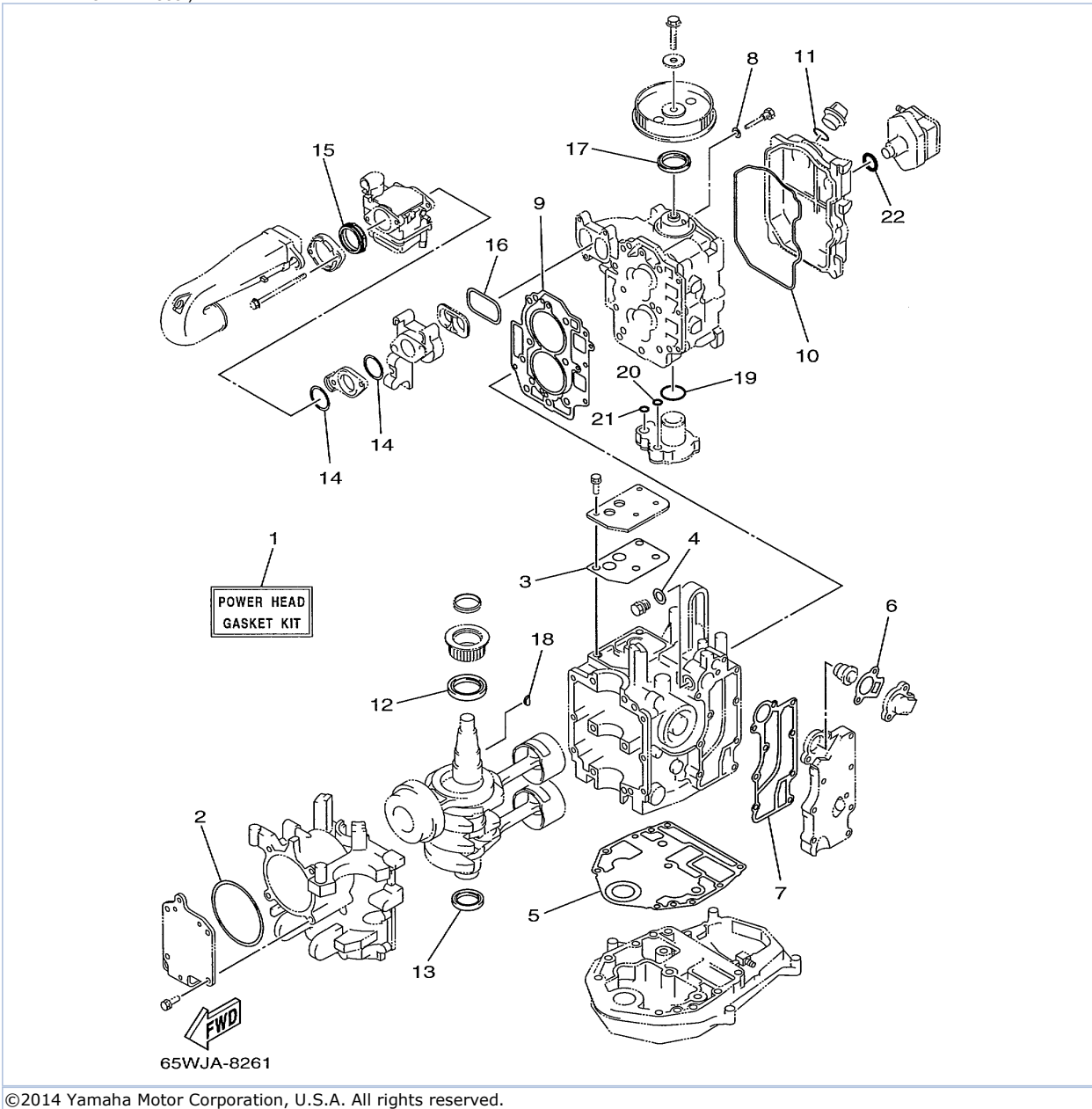
Part Notes

F25MLHX 1999 / ELECTRICAL 3 MH EH

| PART NUMBER | NOTE TEXT |
|---|--|
| 682-82556-00-00  | OEM: This part number is among the Top 100 Most Popular Marine Maintenance Parts as of March 2014. |

©2014 Yamaha Motor Corporation, U.S.A. All rights reserved.

F25MLHX 1999 / REPAIR KIT 1



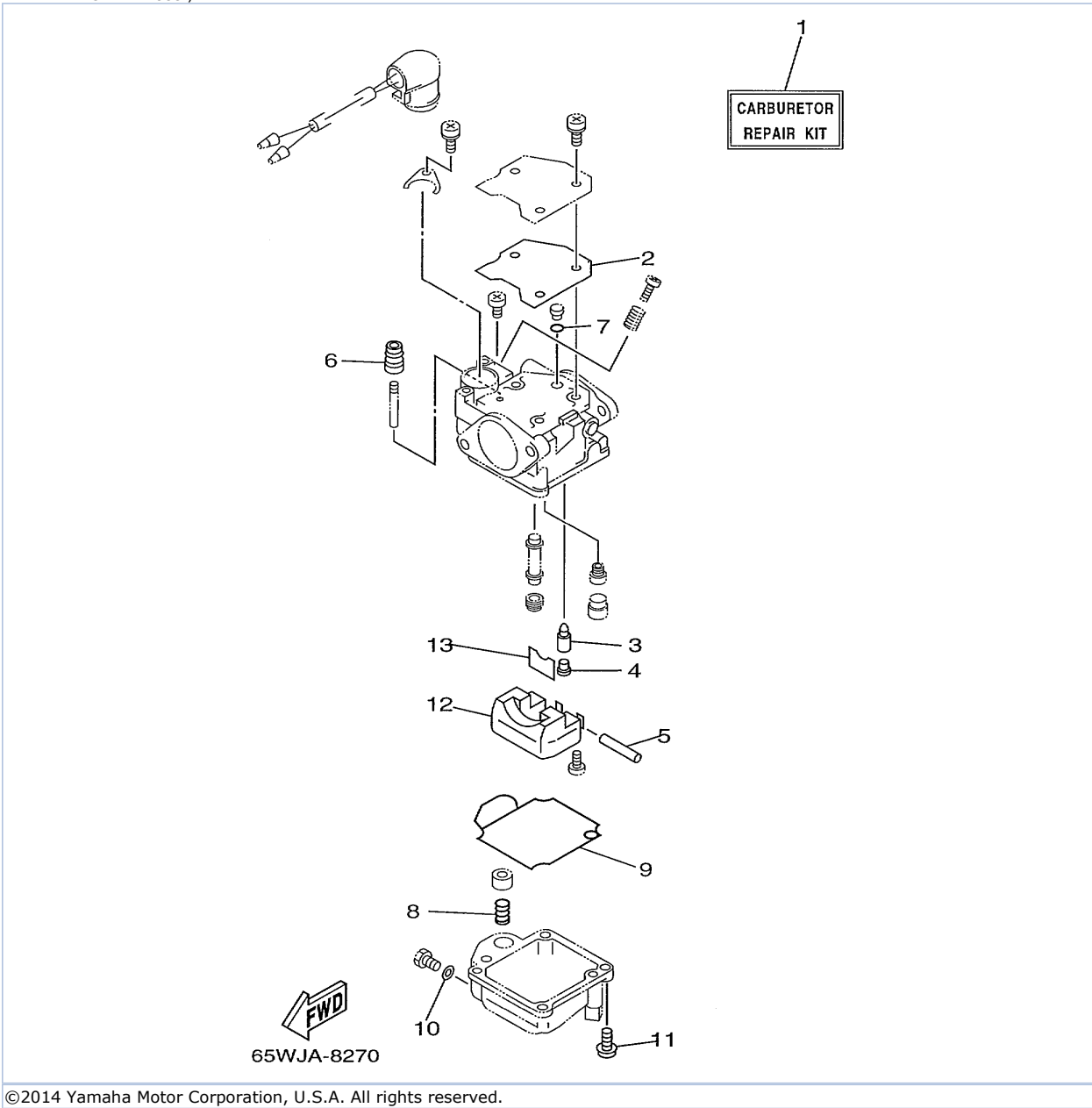
©2014 Yamaha Motor Corporation, U.S.A. All rights reserved.

Part List

F25MLHX 1999 / REPAIR KIT 1

| REF - NO | PART NUMBER | PART NAME | QUANTITY | REMARKS |
|----------------|-----------------|---------------------------------|----------|---------|
| 1 | 65W-W0001-00-00 | GASKET KIT ENGINE UNIT | 1 | |
| 2 | 65W-15663-00-00 | .SEAL | 1 | |
| 3 | 65W-11169-00-00 | .GASKET, BREATHER COVER | 1 | |
| 4 | 90430-14115-00 | .GASKET | 1 | |
| 5 | 65W-11351-00-00 | .GASKET, CYLINDER | 1 | |
| 6 | 65W-12414-00-00 | .GASKET, COVER | 1 | |
| 7 | 65W-41114-00-00 | .GASKET, EXHAUST OUTER COVER | 1 | |
| 8 | 90430-06014-00 | .GASKET | 1 | |
| 9 | 65W-11181-10-00 | .GASKET, CYLINDER HEAD 1 | 1 | |
| 10 | 65W-11356-00-00 | .SEAL, CYLINDER 2 | 1 | |
| 11 | 93210-24M79-00 | .O-RING | 1 | |
| 12 | 93102-43M42-00 | .OIL SEAL | 1 | |
| 13 | 93102-35M47-00 | .OIL SEAL | 1 | |
| 14 | 65W-14198-00-00 | .GASKET | 2 | |
| 15 | 65W-14457-10-00 | .SEAL | 1 | |
| 16 | 65W-13645-00-00 | .GASKET, MANIFOLD 1 | 1 | |
| 17 | 93102-37M40-00 | .OIL SEAL | 1 | |
| 18 | 90280-04M06-00 | .KEY, WOODRUFF | 1 | |
| 19 | 93210-33MH2-00 | .O-RING | 1 | |
| 20 | 93210-12MG9-00 | .O-RING | 1 | |
| 21 | 93210-14515-00 | .O-RING | 1 | |
| 22 | 93210-24M79-00 | .O-RING | 1 | |

F25MLHX 1999 / REPAIR KIT 2

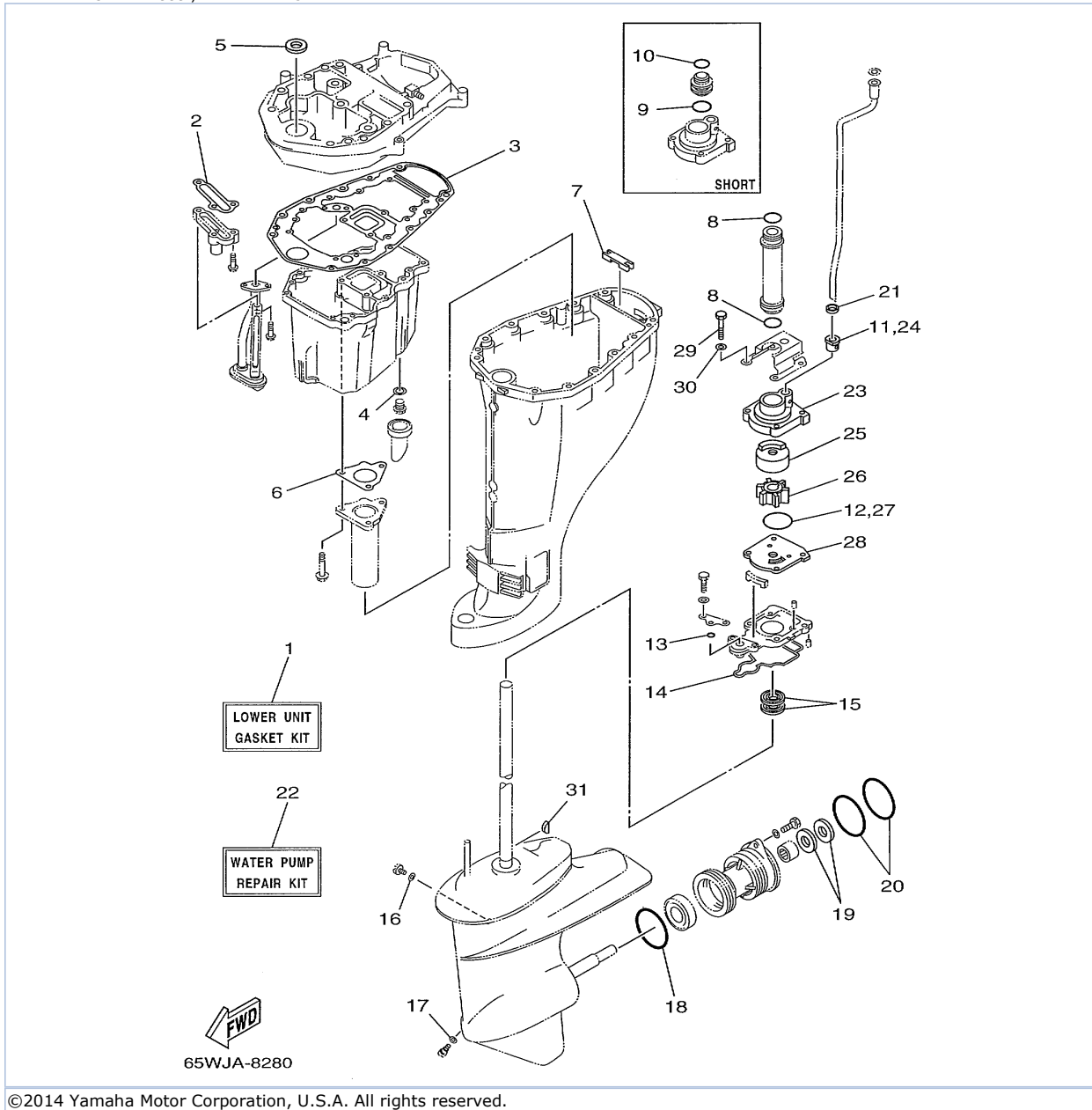


Part List

F25MLHX 1999 / REPAIR KIT 2

| REF - NO | PART NUMBER | PART NAME | QUANTITY | REMARKS |
|----------------|-----------------|------------------------|----------|---------|
| 1 | 65W-W0093-00-00 | CARBURETOR REPAIR KIT | 1 | |
| 2 | 65W-14126-00-00 | .GASKET | 1 | |
| 3 | 6G1-14546-00-00 | .VALVE, NEEDLE | 1 | |
| 4 | 676-14186-00-00 | .PIN, FLOAT | 1 | |
| 5 | 6H4-14548-00-00 | .PIN, FLOAT ARM | 1 | |
| 6 | 65W-14373-00-00 | .COVER, PLUNGER CAP | 1 | |
| 7 | 65W-14147-00-00 | .O-RING | 1 | |
| 8 | 65W-14335-00-00 | .SPRING, PLUNGER | 1 | |
| 9 | 65W-14384-00-00 | .GASKET, FLOAT CHAMBER | 1 | |
| 10 | 65W-14398-00-00 | .GASKET | 1 | |
| 11 | 97980-04114-00 | .SCREW, WITH WASHER | 4 | |
| 12 | 63V-14985-00-00 | .FLOAT | 1 | |
| 13 | 663-14159-00-00 | .CLIP | 1 | |

F25MLHX 1999 / REPAIR KIT 3








Part List

F25MLHX 1999 / REPAIR KIT 3

| REF - NO | PART NUMBER | PART NAME | QUANTITY | REMARKS |
|----------|-----------------|-----------------------------|----------|----------|
| 1 | 65W-W0001-20-00 | LOWER UNIT GASKET KIT | 1 | |
| 2 | 62Y-13475-00-00 | .GASKET | 1 | |
| 3 | 62Y-15312-00-00 | .GASKET, OIL PAN | 1 | |
| 4 | 90430-14M09-00 | .GASKET | 1 | |
| 5 | 93104-16M01-00 | .OIL SEAL | 1 | |
| 6 | 62Y-41133-00-00 | .GASKET, EXHAUST MANIFOLD 1 | 1 | |
| 7 | 65W-45128-00-00 | .SEAL 2 | 1 | |
| 8 | 93210-26130-00 | .O-RING | 2 | UR LONG |
| 9 | 93210-26130-00 | .O-RING | 1 | UR SHORT |
| 10 | 93210-22164-00 | .O-RING | 1 | UR SHORT |
| 11 | 6L2-44367-00-00 | .DAMPER, WATER SEAL 3 | 1 | |
| 12 | 93210-45161-00 | .O-RING | 1 | |
| 13 | 93210-06ME6-00 | .O-RING | 1 | |
| 14 | 61N-45315-00-00 | .PACKING, LOWER CASING | 1 | |
| 15 | 93101-22067-00 | .OIL SEAL | 2 | |
| 16 | 90430-08020-00 | .GASKET | 1 | |
| 17 | 90430-08020-00 | .GASKET | 1 | |
| 18 | 93210-64ME7-00 | .O-RING | 1 | |
| 19 | 93101-20M07-00 | .OIL SEAL | 2 | |
| 20 | 93210-65M50-00 | .O-RING | 2 | |
| 21 | 90430-12072-00 | .GASKET | 1 | |
| 22 | 61N-W0078-11-00 | WATER PUMP REPAIR KIT | 1 | |
| 23 | 61N-44311-01-00 | .HOUSING, WATER PUMP | 1 | |
| 24 | 6L2-44367-00-00 | .DAMPER, WATER SEAL 3 | 1 | |
| 25 | 61N-44322-01-00 | .INSERT, CARTRIDGE | 1 | |
| 26 | 6H4-44352-02-00 | .IMPELLER | 1 | |
| 27 | 93210-45161-00 | .O-RING | 1 | |
| 28 | 61N-44323-00-00 | .OUTER PLATE, CARTRIDGE | 1 | |
| 29 | 97095-06040-00 | .BOLT | 4 | |
| 30 | 92990-06600-00 | .WASHER, PLATE | 4 | |
| 31 | 90280-03024-00 | .KEY, WOODRUFF | 1 | |

Part Notes

F25MLHX 1999 / REPAIR KIT 3

| PART NUMBER | | NOTE TEXT |
|-----------------|---|--|
| 90430-14M09-00 |  | OEM: This part number is among the Top 100 Most Popular Marine Maintenance Parts as of March 2014. |
| 90430-08020-00 |  | OEM: This part number is among the Top 100 Most Popular Marine Maintenance Parts as of March 2014. |
| 90430-08020-00 |  | OEM: This part number is among the Top 100 Most Popular Marine Maintenance Parts as of March 2014. |
| 6H4-44352-02-00 |  | OEM: This part number is among the Top 100 Most Popular Marine Maintenance Parts as of March 2014. |
| 92990-06600-00 |  | OEM: This part number is among the Top 100 Most Popular Marine Maintenance Parts as of March 2014. |

©2014 Yamaha Motor Corporation, U.S.A. All rights reserved.

©2014 Yamaha Motor Corporation, U.S.A. All rights reserved.