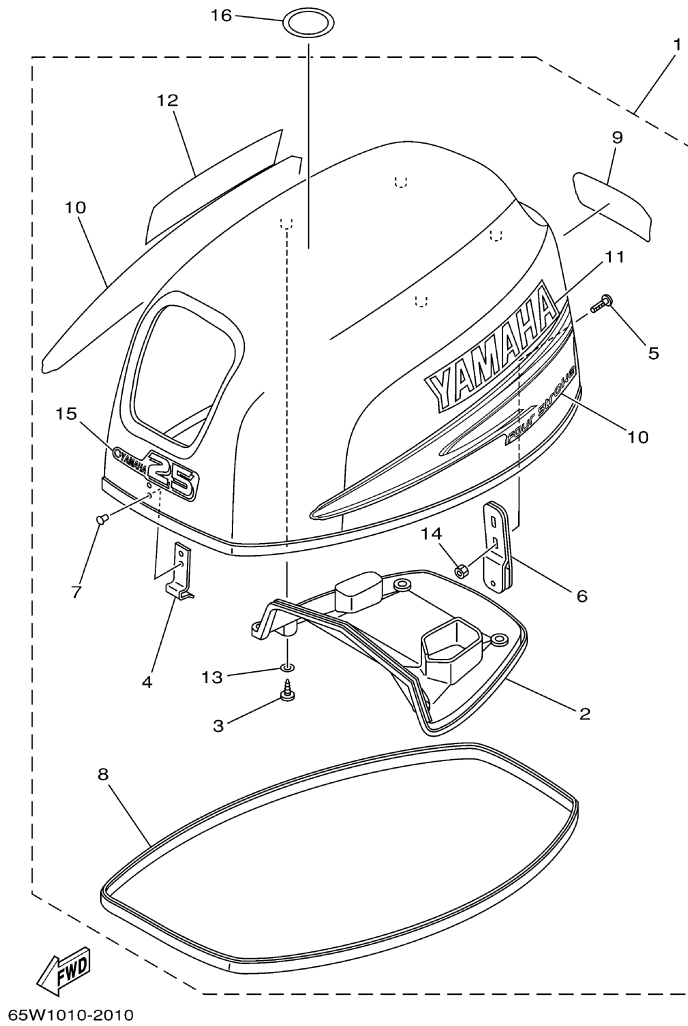


F25ESH 0405 / TOP COWLING



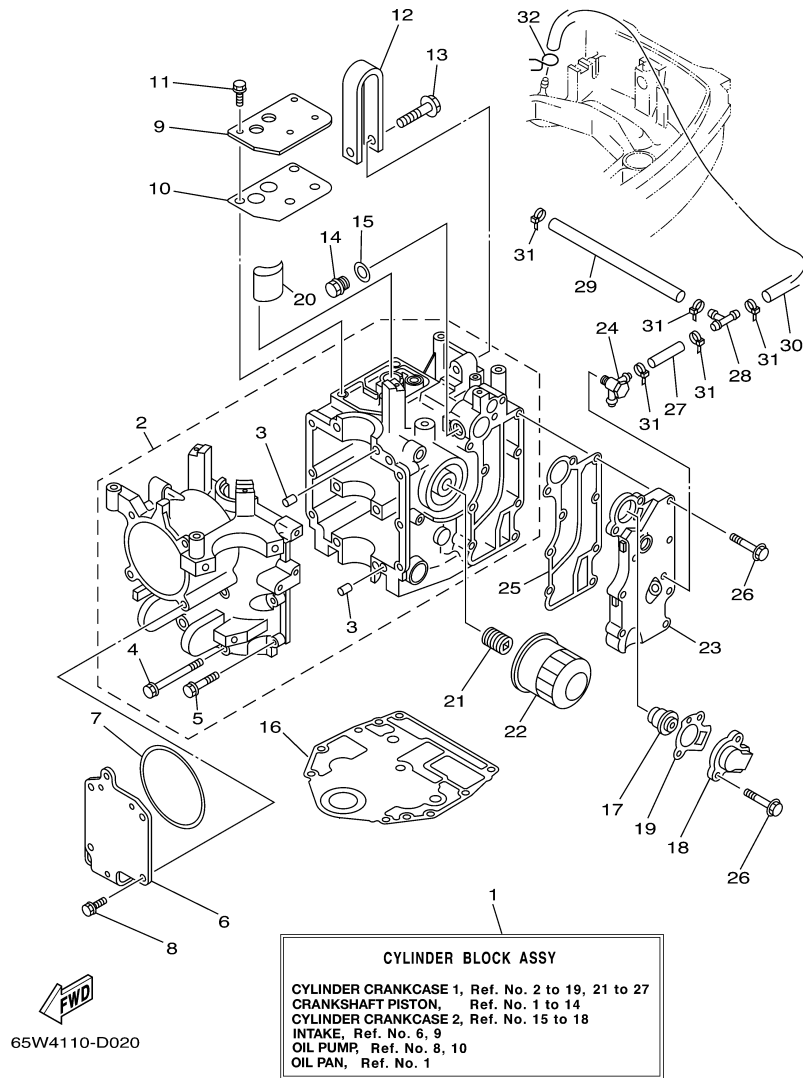
©2014 Yamaha Motor Corporation, U.S.A. All rights reserved.

Part List

F25ESH 0405 / TOP COWLING

REF - NO	PART NUMBER	PART NAME	QUANTITY	REMARKS
1	65W-42610-20-4D	TOP COWLING ASSY	1	
2	65W-42613-00-00	.MOLDING, AIR DUCT	1	
3	97780-60520-00	.SCREW, TAPPING	4	
4	65W-42651-01-00	.HOOK	1	
5	90109-06MA4-00	.BOLT	2	
6	65W-42652-01-00	.HOOK	1	
7	90266-06M02-00	.RIVET	2	
8	6D5-42615-00-00	.SEAL	1	
9	65W-42678-20-00	.GRAPHIC, REAR	1	
10	65W-W0070-20-00	.GRAPHIC SET	1	
11	65W-42681-20-00	.MARK, COWLING	1	
12	65W-42682-20-00	.MARK, COWLING	1	
13	90202-05M38-00	.WASHER, PLATE	4	
14	95680-06100-00	.NUT, U	2	
15	65W-42677-00-00	.GRAPHIC, FRONT	1	
16	67F-13434-03-00	LABEL, CAUTION	1	

F25ESH 0405 / CYLINDER CRANKCASE 1



©2014 Yamaha Motor Corporation, U.S.A. All rights reserved.


Part List

F25ESH 0405 / CYLINDER CRANKCASE 1

REF - NO	PART NUMBER	PART NAME	QUANTITY	REMARKS
1	65W-W009B-12-1S	CYLINDER BLOCK ASSY	1	
2	65W-15100-11-1S	CRANKCASE ASSY	1	
3	99530-08012-00	.PIN, DOWEL	2	
4	90119-08M01-00	.BOLT, WITH WASHER	6	
5	90119-06MA5-00	.BOLT, WITH WASHER	6	
6	65W-15121-01-00	CRANKCASE 2	1	
7	65W-15663-00-00	.SEAL	1	
8	65W-12228-00-00	BOLT	4	
9	65W-11168-01-00	COVER, BREATHER	1	
10	65W-11169-01-00	.GASKET, BREATHER COVER	1	
11	65W-12228-00-00	BOLT	4	
12	65W-11119-00-00	HANGER, ENGINE	1	
13	90105-08M87-00	BOLT, FLANGE	1	
14	90340-14M06-00	PLUG, STRAIGHT SCREW	1	
15	90430-14115-00	.GASKET	1	
16	65W-11351-10-00	.GASKET, CYLINDER	1	
17	6G8-12411-03-00	THERMOSTAT	1	
18	6H3-12413-00-1S	COVER, THERMOSTAT	1	
19	62Y-12414-00-00	.GASKET, COVER	1	
20	65W-13286-00-00	CLEANER	1	
21	90401-20M00-00	BOLT, UNION	1	
22	5GH-13440-00-00	ELEMENT ASSY, OIL CLEANER	1	
23	65W-41113-10-1S	OUTER COVER, EXHAUST	1	
24	62Y-11372-01-00	NIPPLE, HOSE	1	FLUSHING KIT
25	65W-41114-00-00	.GASKET, EXHAUST OUTER COVER	1	
26	90119-06MA5-00	BOLT, WITH WASHER	9	
27	90445-09068-00	HOSE (L110)	1	
28	688-24378-00-00	PIPE, JOINT 3	1	
29	90445-09095-00	HOSE (L215)	1	
30	90445-09104-00	HOSE (L300)	1	
31	90465-11M10-00	CLAMP	5	
32	90467-08004-00	CLIP	1	

Part Notes

F25ESH 0405 / CYLINDER CRANKCASE 1

PART NUMBER	NOTE TEXT
62Y-12414-00-00 	OEM: This part number is among the Top 100 Most Popular Marine Maintenance Parts as of March 2014.

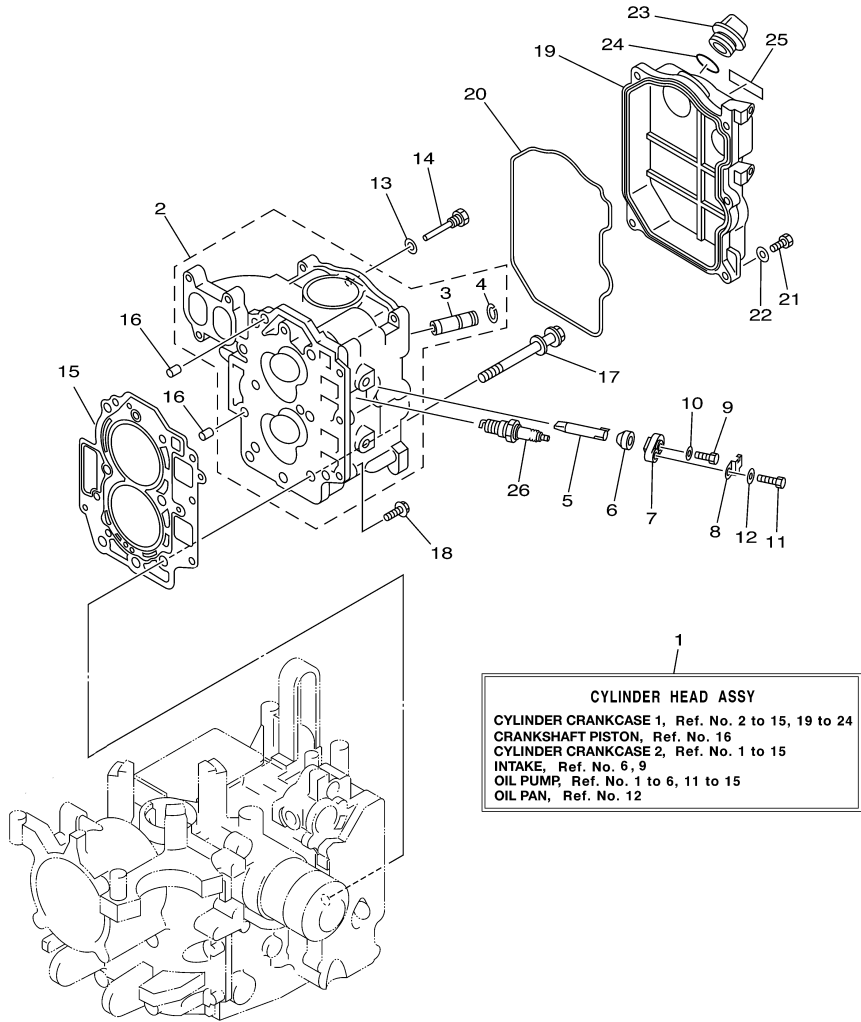
©2014 Yamaha Motor Corporation, U.S.A. All rights reserved.

Part List

F25ESH 0405 / CRANKSHAFT PISTON

REF - NO	PART NUMBER	PART NAME	QUANTITY	REMARKS
1	93102-43004-00	.OIL SEAL	1	
2	93101-35002-00	.OIL SEAL	1	
3	65W-11411-01-00	CRANKSHAFT	1	
4	62Y-11416-00-00	PLANE BEARING, CRANKSHAFT 1	6	UR BROWN
4	62Y-11416-20-00	PLANE BEARING, CRANKSHAFT 1	6	UR BLUE
4	62Y-11416-10-00	PLANE BEARING, CRANKSHAFT 1	6	UR BLACK
5	62Y-11650-20-00	CONNECTING ROD ASSY	2	
6	62Y-11654-00-00	.BOLT, CONNECTING ROD	2	
7	62Y-11656-00-00	PLANE BEARING, CONNECTING ROD	4	UR BROWN
7	62Y-11656-20-00	PLANE BEARING, CONNECTING ROD	4	UR BLUE
7	62Y-11656-10-00	PLANE BEARING, CONNECTING ROD	4	UR BLACK
8	65W-11631-00-96	PISTON (STD)	2	
8	65W-11636-00-00	PISTON (0.50MM O/S)	2	AP
8	65W-11635-00-00	PISTON (0.25MM O/S)	2	AP
9	68U-11603-00-00	PISTON RING SET (STD)	2	
9	68U-11605-00-00	PISTON RING SET (0.50MM O/S)	2	AP
9	68U-11604-00-00	PISTON RING SET (0.25MM O/S)	2	AP
10	62Y-11633-00-00	PIN, PISTON	2	
11	93450-17129-00	CIRCLIP	4	
12	65W-11665-00-00	CON-ROD ASSY, BALANCE	1	
13	65W-11642-11-00	PISTON, BALANCE	1	
14	90170-20137-00	NUT	1	

F25ESH 0405 / CYLINDER CRANKCASE 2



65W3100-C040

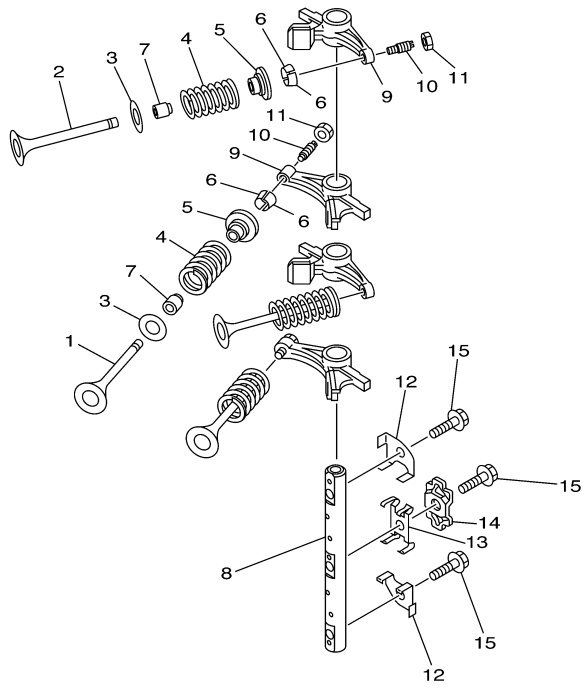
©2014 Yamaha Motor Corporation, U.S.A. All rights reserved.

Part List

F25ESH 0405 / CYLINDER CRANKCASE 2

REF - NO	PART NUMBER	PART NAME	QUANTITY	REMARKS
1	65W-W009A-15-1S	CYLINDER HEAD COMPLETE	1	
2	65W-11111-20-1S	HEAD, CYLINDER 1	1	
3	62Y-11133-30-00	.GUIDE, VALVE 1	4	
4	93450-09M01-00	.CIRCLIP	4	
5	62Y-11325-00-00	ANODE	2	
6	66M-11328-00-00	GROMMET, ANODE	2	
7	66M-11327-00-94	COVER, ANODE	2	
8	66M-12535-00-00	PLATE	2	
9	97095-05012-00	BOLT	2	
10	92995-05600-00	WASHER	2	
11	97095-06020-00	BOLT	2	
12	92995-06600-00	WASHER	2	
13	90430-06014-00	.GASKET	1	
14	90109-06M65-00	BOLT	1	
15	65W-11181-30-00	.GASKET, CYLINDER HEAD 1	1	
16	99530-08012-00	PIN, DOWEL	2	
17	90119-09M00-00	BOLT, WITH WASHER	6	
18	90119-06MA3-00	BOLT, WITH WASHER	3	
19	65W-11191-00-1S	COVER, CYLINDER HEAD 1	1	
20	65W-11356-00-00	.SEAL, CYLINDER 2	1	
21	97095-06020-00	BOLT	5	
22	92995-06600-00	WASHER	5	
23	6G8-15363-00-00	PLUG, OIL	1	
24	93210-24M79-00	.O-RING	1	
25	62Y-12138-40-00	MARK, CAUTION	1	
26	NGK-DPR6E-A9-00	PLUG, SPARK (NGK DPR6EA-9)	2	

F25ESH 0405 / VALVE



65W1010-2050

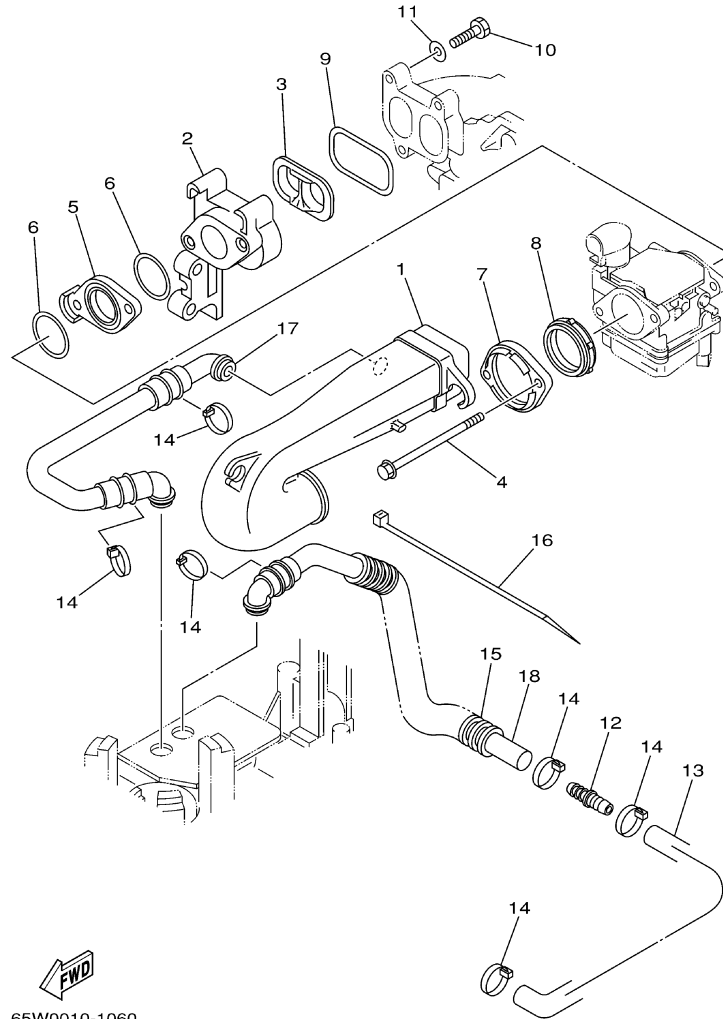
©2014 Yamaha Motor Corporation, U.S.A. All rights reserved.

Part List

F25ESH 0405 / VALVE

REF - NO	PART NUMBER	PART NAME	QUANTITY	REMARKS
1	67C-12111-00-00	VALVE, INTAKE	2	
2	62Y-12121-00-00	VALVE, EXHAUST	2	
3	62Y-12116-00-00	SEAT, VALVE SPRING	4	
4	51Y-12114-00-00	SPRING, VALVE OUTER	4	
5	30X-12117-00-00	RETAINER, VALVE SPRING	4	
6	30X-12118-00-00	LOCK, VALVE SPRING RETAINER	8	
7	51Y-12119-00-00	SEAL, VALVE STEM	4	
8	65W-12146-00-00	SHAFT, ROCKER	1	
9	65W-12151-00-00	ARM, VALVE ROCKER	4	
10	62Y-12159-00-00	SCREW, VALVE ADJUSTING	4	
11	62Y-12158-00-00	NUT, LOCK	4	
12	62Y-12238-00-00	PLATE, BOLT STOPPER	2	
13	62Y-12216-00-00	SPRING	1	
14	62Y-12231-00-00	GUIDE, STOPPER 1	1	
15	90109-08M63-00	BOLT	3	

F25ESH 0405 / INTAKE



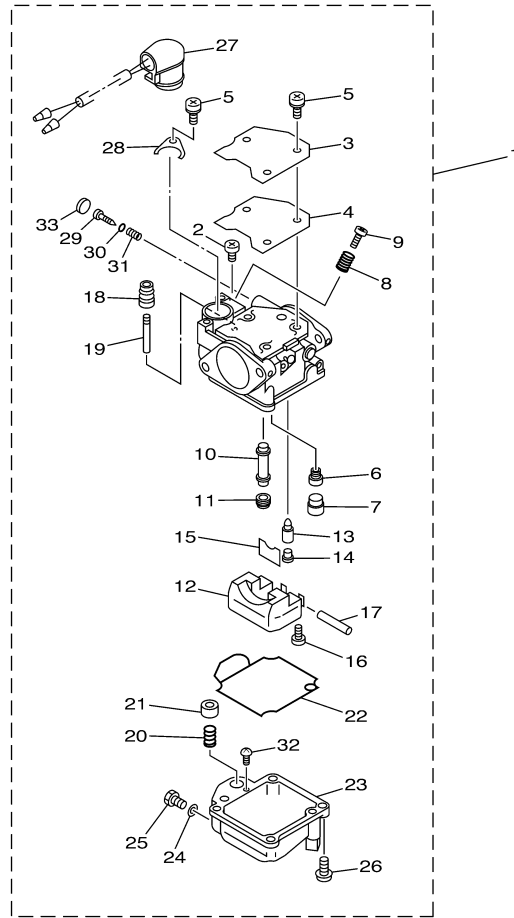
©2014 Yamaha Motor Corporation, U.S.A. All rights reserved.

Part List

F25ESH 0405 / INTAKE

REF - NO	PART NUMBER	PART NAME	QUANTITY	REMARKS
1	65W-14440-00-00	SILENCER ASSY, INTAKE	1	
2	65W-13640-00-00	MANIFOLD	1	
3	65W-13323-00-00	INSERT	1	
4	65W-14496-00-00	BOLT	2	
5	65W-14271-00-00	INSULATOR	1	
6	65W-14198-00-00	.GASKET	2	
7	65W-14262-00-00	FLANGE	1	
8	65W-14457-10-00	.SEAL	1	
9	65W-13645-00-00	.GASKET, MANIFOLD 1	1	
10	97095-06025-00	BOLT	3	
11	92995-06600-00	WASHER	3	
12	65W-24377-00-00	PIPE, JOINT 3	1	
13	65W-15397-10-00	HOSE	1	
14	90465-13M36-00	CLAMP	6	
15	90446-24M54-00	HOSE (L260)	1	
16	90465-11M52-00	CLAMP	1	
17	65W-15370-00-00	BREATHER ASSY	1	
18	65W-15370-10-00	BREATHER ASSY	1	

F25ESH 0405 / CARBURETOR



68U3100-C070

©2014 Yamaha Motor Corporation, U.S.A. All rights reserved.



Part List

F25ESH 0405 / CARBURETOR

REF - NO	PART NUMBER	PART NAME	QUANTITY	REMARKS
1	65W-14901-60-00	CARBURETOR ASSY 1	1	UR MH
1	65W-14901-50-00	CARBURETOR ASSY 1	1	UR EH/ER/TR
2	98580-04006-00	.SCREW, PAN HEAD	1	
3	65W-14572-00-00	.PLATE	1	
4	65W-14126-10-00	.GASKET	1	
5	97803-04010-00	.SCREW, PAN HEAD	4	
6	676-14948-07-00	.JET (#50)	1	
7	679-14966-00-00	.RUBBER CAP	1	
8	90501-10326-00	.SPRING, COMPRESSION	1	
9	63V-14523-00-00	.SCREW, STOP	1	
10	65W-14947-00-00	.JET, NEEDLE	1	
11	65W-14943-29-00	.JET, MAIN (#112)	1	
12	63V-14985-00-00	.FLOAT	1	
13	6G1-14546-01-00	.VALVE, NEEDLE	1	
14	676-14186-00-00	.PIN, FLOAT	1	
15	663-14159-00-00	.CLIP	1	
16	98580-04008-00	.SCREW, PAN HEAD	1	
17	6H4-14548-00-00	.PIN, FLOAT ARM	1	
18	65W-14373-01-00	.COVER, PLUNGER CAP	1	
19	65W-14379-00-00	.ROD, STARTER	1	
20	65W-14335-00-00	.SPRING, PLUNGER	1	
21	65W-14371-00-00	.PLUNGER, STARTER	1	
22	65W-14384-00-00	.GASKET, FLOAT CHAMBER	1	
23	65W-14980-20-00	.BODY, FLOAT CHAMBER	1	FOR 65W-14901-60
23	65W-14980-00-00	.BODY, FLOAT CHAMBER	1	FOR 65W-14901-50
24	65W-14398-00-00	.GASKET	1	
25	65W-14992-00-00	.SCREW, DRAIN	1	
26	97980-04114-00	.SCREW, WITH WASHER	4	
27	65W-14380-20-00	.PRIME STARTER ASSY	1	FOR 65W-14901-60
27	65W-14380-00-00	.PRIME STARTER ASSY	1	FOR 65W-14901-50
28	65W-14346-00-00	.PLATE	1	
29	67C-14923-00-00	.SCREW, PILOT	1	
30	67C-14397-00-00	.O-RING	1	
31	67C-14555-00-00	.SPRING	1	
32	67C-14567-00-00	.SCREW	1	
33	67C-1432A-00-00	.PLUG	1	

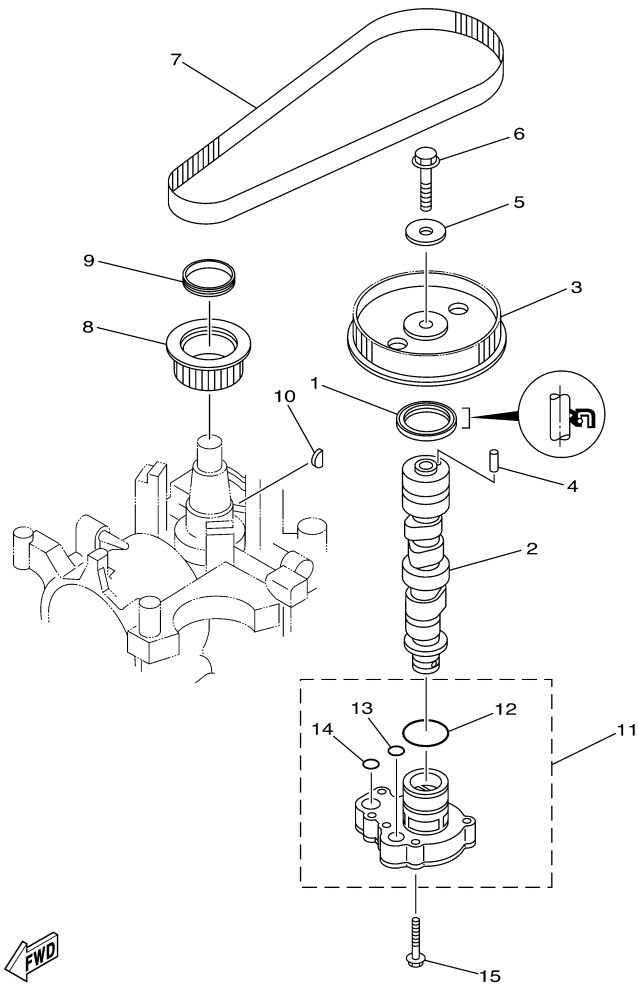
Part Notes

F25ESH 0405 / CARBURETOR

PART NUMBER	NOTE TEXT
65W-14380-20-00	 OEM: The O-Ring for sealing this part to the carburetor body is not shown separately. The Part Number for the O-Ring is 93210-17001-00.
65W-14380-00-00	 OEM: The O-Ring for sealing this part to the carburetor body is not shown separately. The Part Number for the O-Ring is 93210-17001-00.

©2014 Yamaha Motor Corporation, U.S.A. All rights reserved.

F25ESH 0405 / OIL PUMP



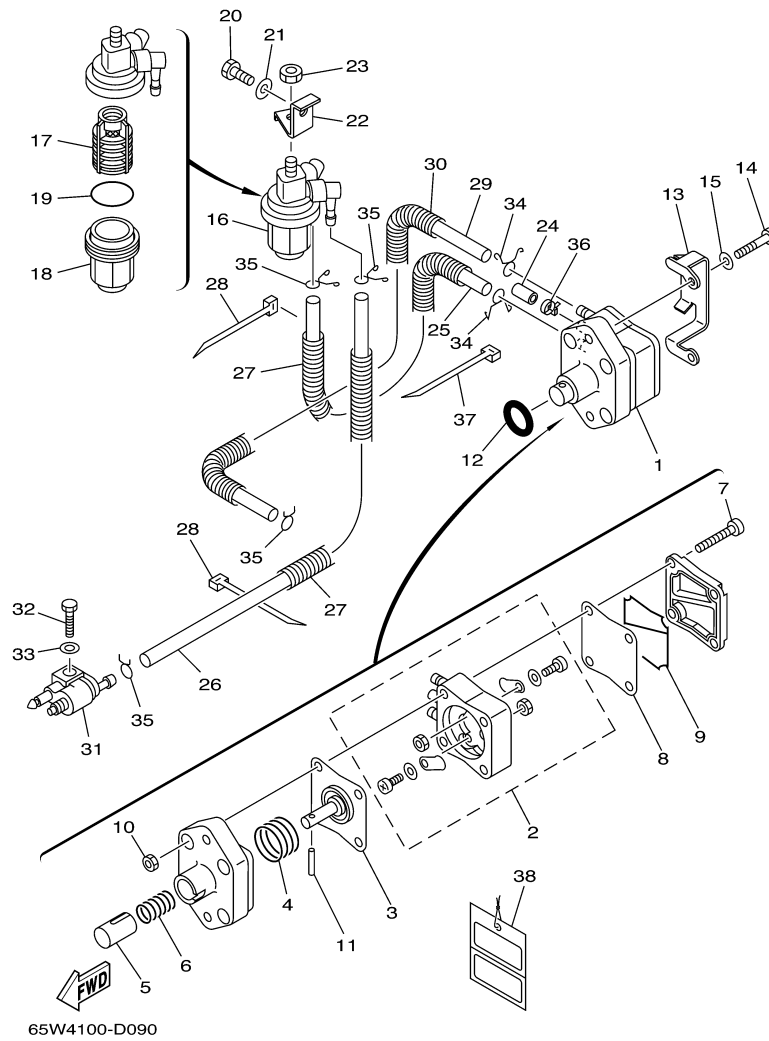

65W1010-2080

Part List

F25ESH 0405 / OIL PUMP

REF - NO	PART NUMBER	PART NAME	QUANTITY	REMARKS
1	93102-37M40-00	.OIL SEAL	1	
2	65W-12170-20-00	CAMSHAFT ASSY 1	1	UR MH
2	65W-12171-01-00	CAMSHAFT 1	1	UR EH/ER/TR
3	65W-11537-01-00	GEAR, DRIVEN	1	
4	93605-14143-00	PIN, DOWEL	1	
5	90201-10M06-00	WASHER, PLATE	1	
6	95895-10040-00	BOLT, FLANGE	1	
7	65W-46241-00-00	V-BELT	1	
8	65W-11536-10-00	GEAR, DRIVE	1	
9	65W-11476-00-00	SPRING	1	
10	90280-04M06-00	KEY, WOODRUFF	1	
11	65W-13300-00-00	OIL PUMP ASSY	1	
12	93210-33MH2-00	.O-RING	1	
13	93210-12MG9-00	.O-RING	1	
14	93210-14515-00	.O-RING	1	
15	90119-06MA5-00	BOLT, WITH WASHER	4	

F25ESH 0405 / FUEL 1



©2014 Yamaha Motor Corporation, U.S.A. All rights reserved.

Part List

F25ESH 0405 / FUEL 1

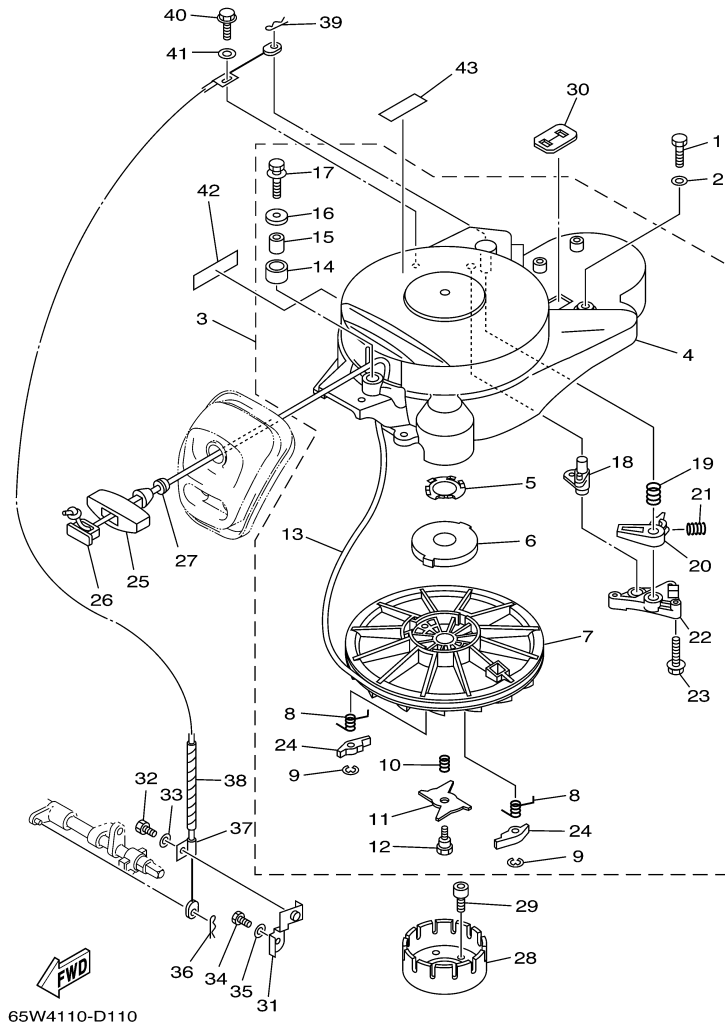
REF - NO	PART NUMBER	PART NAME	QUANTITY	REMARKS
1	62Y-24410-03-00	FUEL PUMP ASSY	1	
2	62Y-24415-00-00	.PUMP BODY SUB ASSY	1	
3	62Y-24411-02-00	.DIAPHRAGM	1	
4	62Y-24423-00-00	.SPRING, DIAPHRAGM	1	
5	62Y-13131-01-00	.PLUNGER	1	
6	62Y-24454-00-00	.SPRING	1	
7	62Y-24444-01-00	.SCREW	4	
8	62Y-24471-00-00	.DIAPHRAGM	1	
9	62Y-24452-00-00	.PACKING	1	
10	95380-05600-00	.NUT	4	
11	62Y-24374-01-00	.PIN	1	
12	93210-24M79-00	.O-RING	1	
13	65W-24474-10-00	COVER	1	
14	97095-06030-00	BOLT	2	
15	92995-06600-00	WASHER	2	
16	61N-24560-00-00	FILTER ASSY	1	
17	61N-24563-00-00	.ELEMENT, FILTER	1	
18	61N-24521-00-00	.CUP, FILTER	1	
19	93210-32738-00	.O-RING	1	
20	97095-08014-00	BOLT	1	
21	92995-08600-00	WASHER	1	
22	6D5-24566-00-00	BRACKET, FILTER	1	
23	95380-08600-00	NUT	1	
24	65W-24481-00-00	PLUG	1	
25	90445-10MG6-00	HOSE (L180)	1	
26	90445-10M34-00	HOSE (L550)	1	
27	90446-14M12-00	HOSE	2	
28	90465-11M10-00	CLAMP	2	
29	90445-10MG7-00	HOSE (L350)	1	
30	90446-14M51-00	HOSE	1	
31	6G1-24304-02-00	FUEL PIPE JOINT COMP. 1	1	
32	97095-06025-00	BOLT	1	
33	92995-06600-00	WASHER	1	
34	90467-10M04-00	CLIP	2	
35	90467-09M17-00	CLIP	4	
36	90465-11M10-00	CLAMP	1	
37	90465-13M18-00	CLAMP	1	
38	61H-2819R-31-00	TAG, WARNING	1	

Part List

F25ESH 0405 / FUEL 2

REF - NO	PART NUMBER	PART NAME	QUANTITY	REMARKS
1	6Y2-24306-56-00	FUEL PIPE COMP. 1	1	AP
2	6E5-24305-06-00	.FUEL PIPE JOINT COMP 2	1	
3	93210-08287-00	..O-RING	1	
4	6Y2-24305-06-00	.FUEL PIPE JOINT COMP 2	1	
5	93210-08287-00	..O-RING	1	
6	90445-13M01-00	.HOSE (L2050)	1	
7	6E5-24351-51-00	.BAND 1	4	
8	90445-13M00-00	.HOSE (L850)	1	
9	6Y2-24360-60-00	.PRIMER PUMP ASSY	1	

F25ESH 0405 / STARTER



©2014 Yamaha Motor Corporation, U.S.A. All rights reserved.


Part List

F25ESH 0405 / STARTER

REF - NO	PART NUMBER	PART NAME	QUANTITY	REMARKS
1	97095-06025-00	BOLT	4	MH
2	92995-06600-00	WASHER	4	MH
3	65W-W1571-20-00	STARTER ASSY	1	MH
4	65W-15711-20-00	.CASE, STARTER	1	
5	65W-15732-00-00	.WASHER, WAVE 1	1	
6	65W-15713-00-00	.SPRING, STARTER	1	
7	65W-15714-01-00	.DRUM, SHEAVE	1	
8	65W-15734-00-00	.SPRING, RETURN	2	
9	65W-15744-00-00	.CIRCLIP	2	
10	65W-15715-00-00	.SPRING, FRICTION	1	
11	65W-15716-00-00	.PLATE, DRIVE	1	
12	65W-15793-00-00	.SCREW	1	
13	90890-44373-00	ROPE, STARTER	1	UNAVAILABLE - OBTAIN LOCALLY - CUT TO 1.7M LENGTH
14	65W-15752-00-00	.ROLLER, WIRE	1	
15	65W-15753-00-00	.BUSH	1	
16	65W-15791-00-00	.WASHER, LOCK	1	
17	65W-15481-00-00	.BOLT 1	1	
18	65W-15735-01-00	.GUIDE, CAM	1	
19	65W-15767-01-00	.SPRING	1	
20	65W-15794-00-00	.STOPPER	1	
21	65W-15784-00-00	.SPRING, RETURN	1	
22	65W-15414-00-00	.COVER 1	1	
23	65W-15768-00-00	.BOLT	3	
24	65W-15741-10-00	.PAWL, DRIVE	2	
25	689-15755-01-00	.HANDLE, STARTER	1	MH
26	6F5-15779-02-00	.COVER	1	MH
27	6A0-15789-00-00	.DAMPER	1	MH
28	65W-15723-10-00	PULLEY, STARTER	1	MH
29	90110-08M03-00	BOLT, HEXAGON SOCKET HEAD	3	MH
30	65W-81639-10-00	PLATE, ARMATURE FITTING	1	MH
31	65W-15774-00-00	STAY 4	1	MH
32	97095-06012-00	BOLT	1	MH
33	92995-06600-00	WASHER	1	MH
34	97095-06012-00	BOLT	1	MH
35	92995-06600-00	WASHER	1	MH
36	90468-18008-00	CLIP	1	MH
37	65W-15770-20-00	CABLE COMP., STARTER STOP	1	MH
38	90446-06M90-00	HOSE (L120)	1	MH
39	90468-10005-00	CLIP	1	MH
40	65W-15482-20-00	BOLT 2	1	MH
41	65W-15726-00-00	WASHER, FLAT	1	MH
42	65W-13437-42-00	MARK, CAUTION	1	MH
43	6A1-83625-41-00	MARK 5	1	MH

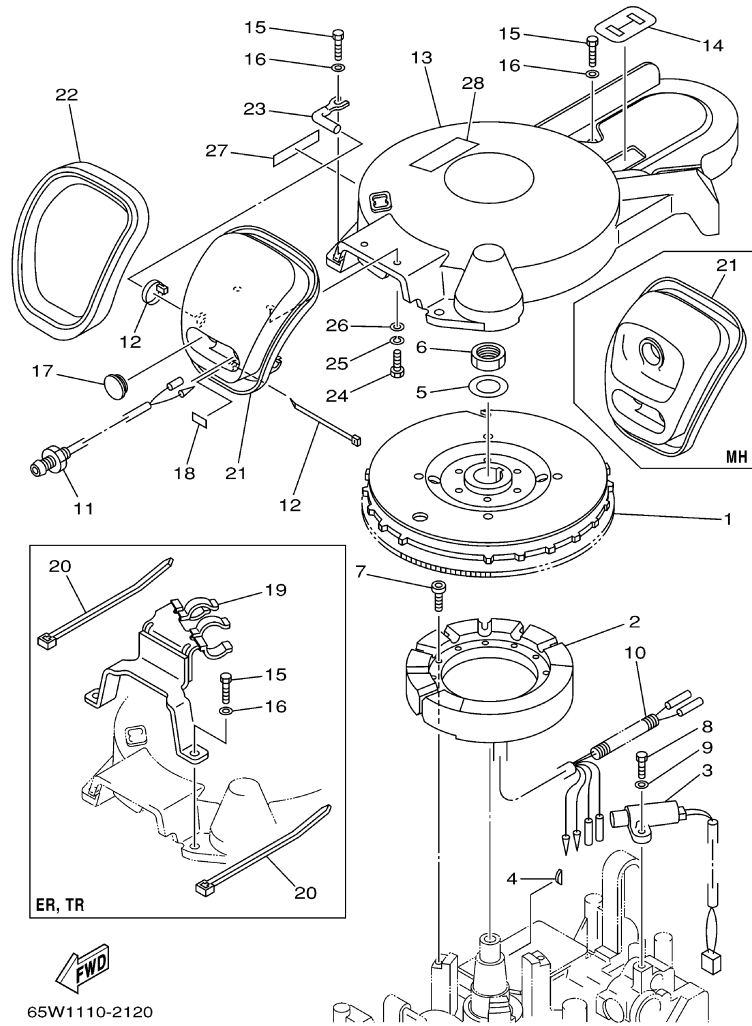
Part Notes

F25ESH 0405 / STARTER

PART NUMBER	NOTE TEXT
90468-18008-00 	OEM: This part number is among the Top 100 Most Popular Marine Maintenance Parts as of March 2014.

©2014 Yamaha Motor Corporation, U.S.A. All rights reserved.

F25ESH 0405 / GENERATOR



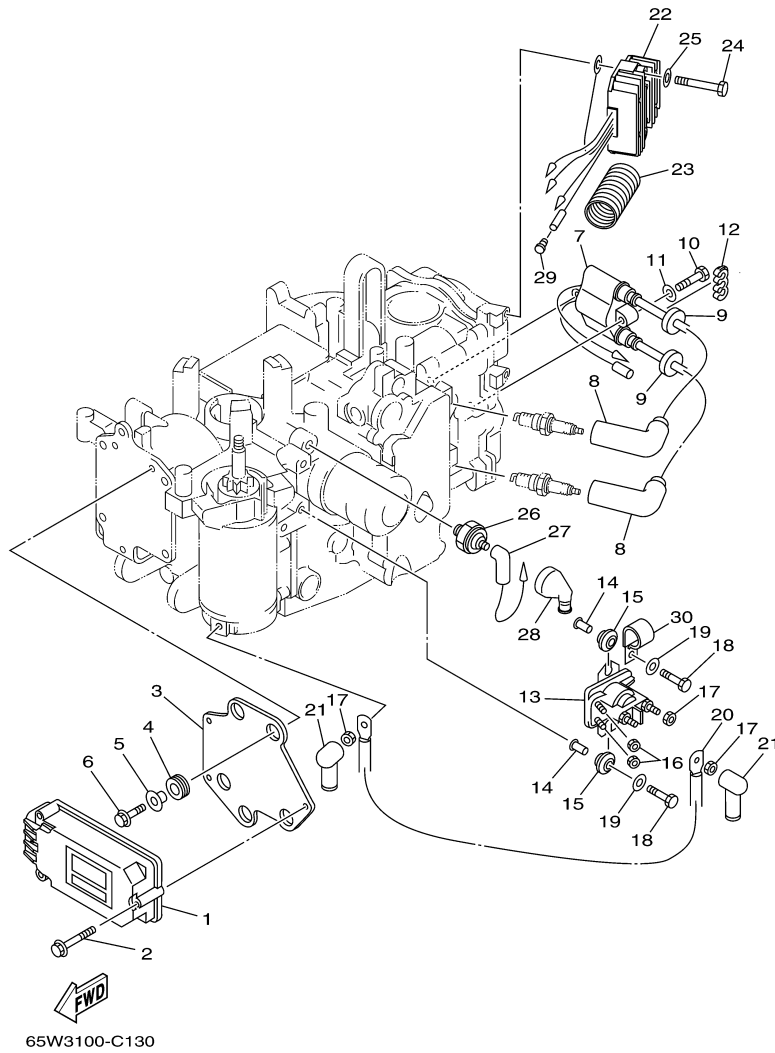
65W1110-2120

Part List

F25ESH 0405 / GENERATOR

REF - NO	PART NUMBER	PART NAME	QUANTITY	REMARKS
1	65W-85550-01-00	ROTOR ASSY	1	
2	65W-85510-00-00	STATOR ASSY	1	UR MH
2	65W-85510-10-00	STATOR ASSY	1	UR EH/ER/TR
3	65W-85580-00-00	COIL, PULSER	1	
4	65W-11545-00-00	KEY, WOODRUFF	1	
5	90201-21M18-00	WASHER, PLATE	1	
6	90170-20137-00	NUT	1	
7	91380-05025-00	BOLT	3	UR MH
7	91380-05030-00	BOLT	3	UR EH/ER/TR
8	97095-05016-00	.BOLT	2	
9	92995-05600-00	WASHER	2	
10	90446-10M82-00	HOSE	1	
11	65W-85410-01-00	EMERGENCY SIGNAL LIGHT ASSY	1	
12	90465-11M10-00	CLAMP	2	
13	65W-81337-00-00	COVER, FLYWHEEL	1	EH/ER/TR
14	65W-81639-00-00	PLATE, ARMATURE FITTING	1	EH/ER/TR
15	97095-06025-00	BOLT	4	EH/ER/TR
16	92995-06600-00	WASHER	4	EH/ER/TR
17	6G1-42725-00-00	GROMMET	1	EH/ER/TR
18	65W-84342-00-00	SEAT, EMBLEM	1	
19	65W-82594-10-00	CLAMP	1	ER/TR
20	90465-13M18-00	CLAMP	2	ER/TR
21	65W-15758-00-00	GUIDE, ROPE	1	UR MH
21	65W-15758-10-00	GUIDE, ROPE	1	UR EH/ER/TR
22	65W-15762-00-00	SEAL, RUBBER 2	1	
23	65W-15771-00-00	STAY 1	1	
24	97095-06020-00	BOLT	2	
25	92995-06100-00	WASHER, SPRING	2	
26	92995-06600-00	WASHER	2	
27	65W-13437-42-00	MARK, CAUTION	1	EH/ER/TR
28	6A1-83625-41-00	MARK 5	1	EH/ER/TR

F25ESH 0405 / ELECTRICAL 1



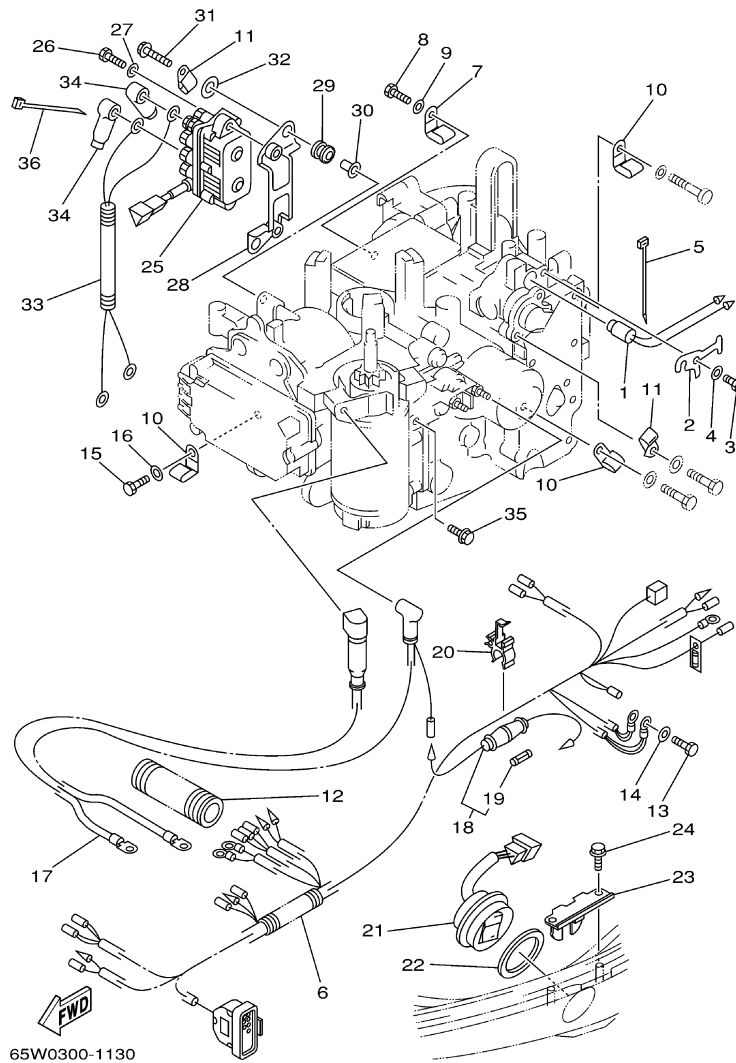
©2014 Yamaha Motor Corporation, U.S.A. All rights reserved.

Part List

F25ESH 0405 / ELECTRICAL 1

REF - NO	PART NUMBER	PART NAME	QUANTITY	REMARKS
1	65W-85540-20-00	C.D.I. UNIT ASSY	1	
2	65W-8252V-00-00	SCREW, SPECIAL	3	
3	65W-85542-00-00	BRACKET	1	
4	65W-85547-00-00	DAMPER	3	
5	65W-86129-20-00	COLLAR	3	
6	65W-8252V-10-00	SCREW, SPECIAL	3	
7	65W-85570-01-00	IGNITION COIL ASSY	1	
8	6G8-82370-30-00	PLUG CAP ASSY	2	
9	90480-25161-00	GROMMET	2	
10	97095-06030-00	BOLT	2	
11	92995-06600-00	WASHER	2	
12	90464-07M05-00	CLAMP	1	
13	65W-81941-00-00	STARTER RELAY ASSY	1	EH/ER/TR
14	65W-8191C-00-00	COLLAR	2	EH/ER/TR
15	65W-81922-00-00	GROMMET	2	EH/ER/TR
16	65W-8182A-00-00	NUT	2	EH/ER/TR
17	65W-8182B-00-00	NUT, SPECIAL	3	EH/ER/TR
18	97095-06025-00	BOLT	2	UR EH/ER/TR
18	97095-06016-00	BOLT	1	UR MH
19	92995-06600-00	WASHER	2	UR EH/ER/TR
19	92995-06600-00	WASHER	1	UR MH
20	65W-82117-00-00	WIRE, LEAD	1	EH/ER/TR
21	6G5-82119-10-00	COVER, LEAD WIRE	2	EH/ER/TR
22	65W-81960-10-00	RECTIFIER & REGULATOR ASSY	1	EH/ER/TR
23	6K3-83557-00-00	TUBE	1	EH/ER/TR
24	97095-06040-00	.BOLT	2	EH/ER/TR
25	92995-06600-00	WASHER	2	EH/ER/TR
26	65W-82504-00-00	OIL PRESSURE SWITCH ASSY	1	
27	65W-82127-00-00	WIRE, LEAD 2	1	
28	65W-82532-00-00	CAP	1	
29	703-82119-00-00	COVER, LEAD WIRE	1	EH
30	65W-8339X-00-00	CLAMP, CORD	1	

F25ESH 0405 / ELECTRICAL 2



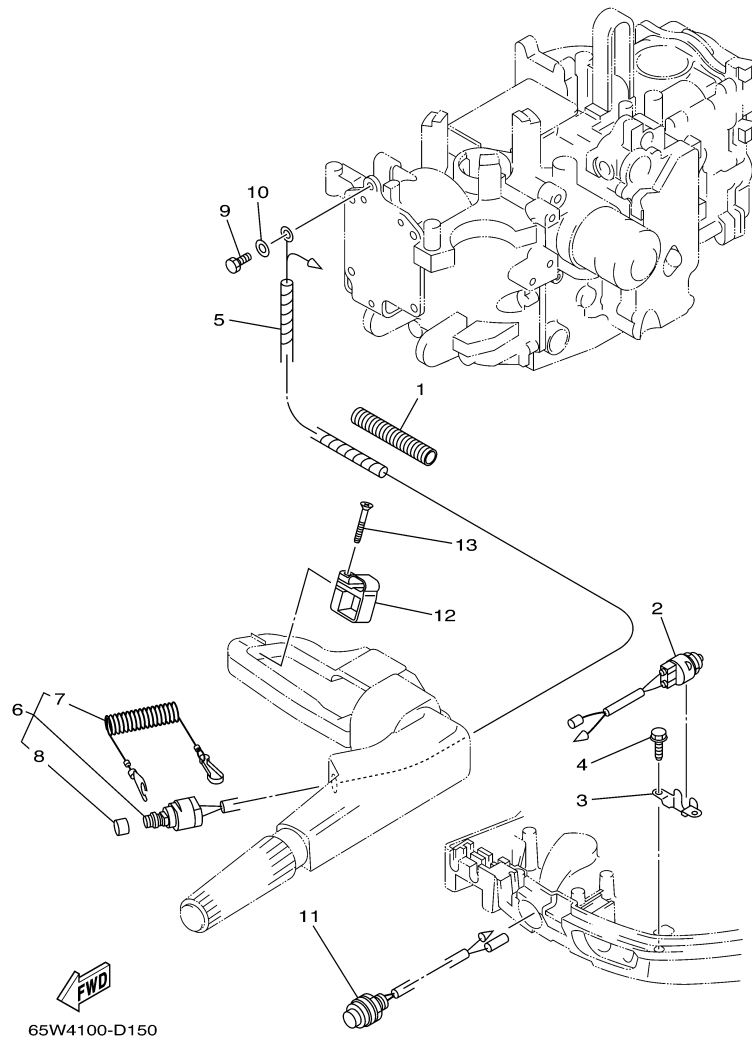
©2014 Yamaha Motor Corporation, U.S.A. All rights reserved.

Part List

F25ESH 0405 / ELECTRICAL 2

REF - NO	PART NUMBER	PART NAME	QUANTITY	REMARKS
1	65W-85790-00-00	THERMOSENSOR ASSY	1	
2	65W-85757-00-00	RETAINER	1	
3	97095-06012-00	BOLT	1	
4	92995-06600-00	WASHER	1	
5	90465-11M10-00	CLAMP	1	
6	65W-82590-00-00	WIRE HARNESS ASSY	1	UR EH
6	65W-82590-40-00	WIRE HARNESS ASSY	1	UR MH
6	65W-82590-30-00	WIRE HARNESS ASSY (10P)	1	UR TR
6	65W-82590-20-00	WIRE HARNESS ASSY (10P)	1	UR ER
7	90465-08M08-00	CLAMP	1	TR
8	97095-06016-00	BOLT	1	TR
9	92995-06600-00	WASHER	1	TR
10	90465-08M08-00	CLAMP	3	
11	90465-06M88-00	CLAMP	2	UR EH/ER/TR
11	90465-06M88-00	CLAMP	1	UR MH
12	6N7-83557-00-00	TUBE (I.DIA:22MM)	1	
13	97095-06016-00	BOLT	2	
14	92995-06600-00	WASHER	2	
15	97095-05016-00	.BOLT	1	
16	92995-05600-00	WASHER	1	
17	65W-82105-00-00	BATTERY CABLE	1	EH/ER/TR
18	6G8-82150-00-00	FUSE HOLDER ASSY	1	EH/ER/TR
19	663-82151-00-00	.FUSE (12V-20A)	1	
20	6G5-82152-00-00	HOLDER, FUSE	1	EH/ER/TR
21	6H1-82563-10-00	TRIM & TILT SWITCH ASSY	1	TR
22	6E5-82587-00-00	GASKET	1	TR
23	62Y-83614-00-00	BRACKET	1	TR
24	90109-06M86-00	BOLT	2	TR
25	61A-81950-00-00	RELAY ASSY	1	TR
26	97075-06020-00	BOLT	2	TR
27	92995-06600-00	WASHER	2	TR
28	65W-81948-00-00	BRACKET	1	TR
29	6A0-82317-00-00	DAMPER, IGNITION COIL	2	TR
30	90387-06119-00	COLLAR	2	TR
31	95895-06030-00	BOLT, FLANGE	2	TR
32	90201-12M16-00	WASHER, PLATE	2	TR
33	65W-81949-00-00	WIRE, LEAD	1	TR
34	682-82119-01-00	COVER, LEAD WIRE	4	TR
35	97575-06516-00	BOLT, WITH WASHER	1	TR
36	90465-11M10-00	CLAMP	1	TR

F25ESH 0405 / ELECTRICAL 3



©2014 Yamaha Motor Corporation, U.S.A. All rights reserved.


Part List

F25ESH 0405 / ELECTRICAL 3

REF - NO	PART NUMBER	PART NAME	QUANTITY	REMARKS
1	6N7-83557-00-00	TUBE (I.DIA:22MM)	1	MH/EH
2	6H3-82540-00-00	NEUTRAL SWITCH ASSY	1	EH
3	6J8-82554-00-00	STAY, NEUTRAL SWITCH	1	EH
4	90109-06M86-00	BOLT	2	EH
5	90448-03002-00	HOSE, WITH UNION	1	MH/EH
6	65W-82575-01-00	ENGINE STOP SWITCH ASSY	1	MH/EH
7	682-82556-00-00	.LANYARD, STOP SWITCH	1	
8	689-8257Y-00-00	.CAP	1	
9	97095-06012-00	BOLT	1	MH/EH
10	92995-06600-00	WASHER	1	MH/EH
11	65W-81870-00-00	STARTING SWITCH ASSY	1	EH
12	65W-82594-00-00	CLAMP	1	EH
13	90161-06M00-00	SCREW, TAPPING	1	EH

Part Notes

F25ESH 0405 / ELECTRICAL 3

PART NUMBER	NOTE TEXT
682-82556-00-00 	OEM: This part number is among the Top 100 Most Popular Marine Maintenance Parts as of March 2014.

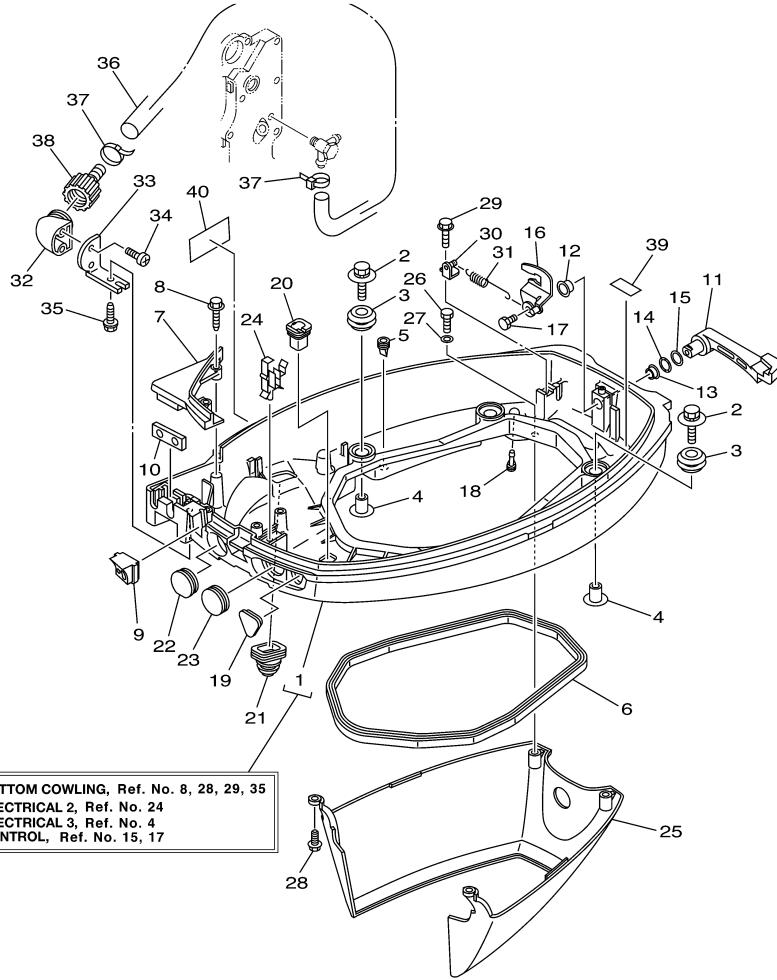
©2014 Yamaha Motor Corporation, U.S.A. All rights reserved.

Part List

F25ESH 0405 / STARTING MOTOR

REF - NO	PART NUMBER	PART NAME	QUANTITY	REMARKS
1	65W-81800-02-00	STARTING MOTOR ASSY	1	EH/ER/TR
2	65W-81826-00-00	.BOLT	2	
3	65W-81857-02-00	.PINION STOPPER SET	1	
4	65W-81830-00-00	.FRONT BRACKET ASSY	1	
5	65W-81807-00-00	.GEAR ASSY, STARTING MOTOR	1	
6	65W-81850-02-00	.ARMATURE ASSY	1	
7	65W-81820-00-00	.REAR BRACKET ASSY	1	
8	65W-81801-00-00	..BRUSH SET	1	
9	65W-81840-00-00	..BRUSH HOLDER ASSY	1	
10	65W-81825-00-00	..SCREW	2	
11	90119-08M39-00	BOLT, WITH WASHER	1	EH/ER/TR
12	90109-08M77-00	BOLT	1	EH/ER/TR
13	90109-08M78-00	BOLT	1	EH/ER/TR
14	95380-08700-00	NUT	1	EH/ER/TR
15	92990-08600-00	..WASHER, PLATE	2	EH/ER/TR

F25ESH 0405 / BOTTOM COWLING



BOTTOM COWLING, Ref. No. 8, 28, 29, 35
 ELECTRICAL 2, Ref. No. 24
 ELECTRICAL 3, Ref. No. 4
 CONTROL, Ref. No. 15, 17



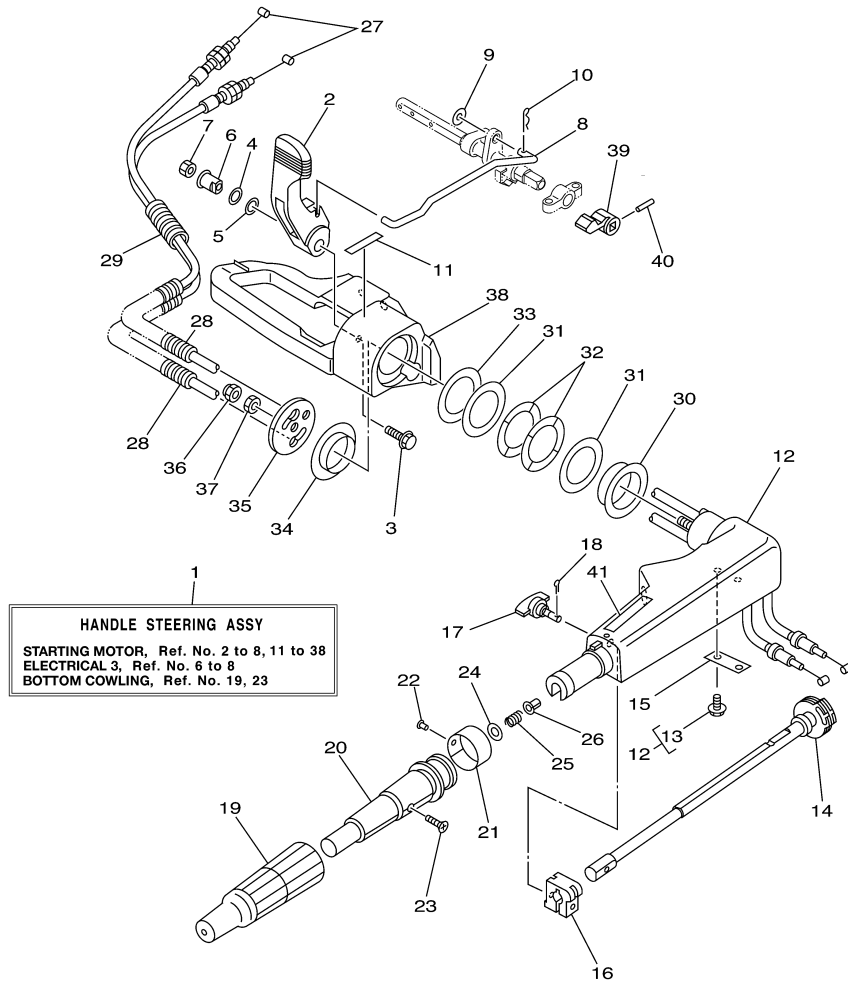
65W4110-D170

Part List

F25ESH 0405 / BOTTOM COWLING

REF - NO	PART NUMBER	PART NAME	QUANTITY	REMARKS
1	65W-42710-16-4D	BOTTOM COWLING ASSY	1	UR TR WITH TAPPING BOLT
1	65W-42710-06-4D	BOTTOM COWLING ASSY	1	UR MH/EH/ER WITH TAPPING BOLT
2	90119-06M08-00	BOLT, WITH WASHER	4	
3	90480-09M12-00	GROMMET	4	
4	90387-06060-00	COLLAR	4	
5	65W-42717-00-00	RUBBER, SEAL 2	6	
6	62Y-42716-00-00	RUBBER, SEAL 1	1	
7	65W-42738-01-4D	PLATE, FITTING	1	
8	90109-06M82-00	BOLT	2	
9	65W-42725-10-00	GROMMET	1	UR EH
9	65W-42725-21-00	.GROMMET	1	UR ER/TR
9	65W-42725-00-00	GROMMET	1	UR MH
10	65W-42727-00-00	GROMMET	1	UR MH/EH
10	62Y-42727-00-00	GROMMET	1	UR ER/TR
11	6D5-42815-00-4D	LEVER, CLAMP	1	
12	90386-12M37-00	BUSH	1	
13	90386-12MA2-00	BUSH	1	
14	90206-12052-00	WASHER, WAVE	1	
15	90201-12M07-00	WASHER, PLATE	1	
16	6D5-42816-00-00	LEVER, CLAMP	1	
17	97095-06012-00	BOLT	1	
18	6H3-44391-01-00	NIPPLE, HOSE	1	
19	65W-26326-10-00	.GROMMET	1	UR ER/TR
19	65W-26326-00-00	GROMMET	1	UR MH/EH
20	682-42727-00-00	GROMMET	1	
21	6H1-42726-21-00	GROMMET	1	UR TR
21	65W-42724-10-00	GROMMET	1	UR MH/EH/ER
22	6G1-42725-00-00	GROMMET	1	MH/ER/TR
23	65W-42726-10-00	.GROMMET	1	UR ER/TR
23	65W-42726-00-00	GROMMET	1	UR MH/EH
24	90465-25M57-00	CLAMP	1	
25	65W-42741-01-00	APRON	1	
26	97095-06014-00	BOLT	2	
27	92995-06600-00	WASHER	2	
28	90109-06M81-00	BOLT	2	
29	90109-06M86-00	BOLT	1	
30	6D5-43144-00-00	HOOK, SPRING	1	
31	90506-18010-00	SPRING, TENSION	1	
32	68T-12572-00-00	ADAPTER	1	FLUSHING KIT
33	69W-12535-00-00	PLATE	1	FLUSHING KIT
34	90167-06002-00	SCREW, TAPPING	2	FLUSHING KIT
35	90109-06M86-00	BOLT	1	FLUSHING KIT
36	90445-11M82-00	HOSE	1	FLUSHING KIT
37	90465-11M10-00	CLAMP	2	FLUSHING KIT
38	6R3-12580-00-00	JOINT ASSY	1	FLUSHING KIT
39	62Y-82377-00-00	LABEL	1	
40	6G8-13444-41-00	MARK	1	

F25ESH 0405 / STEERING



65W4110-D180


Part List

F25ESH 0405 / STEERING

REF - NO	PART NUMBER	PART NAME	QUANTITY	REMARKS
1	65W-W0084-01-4D	HANDLE STEERING ASSY	1	MH/EH
2	65W-44111-00-00	HANDLE, GEAR SHIFT	1	MH/EH
3	90119-06M85-00	BOLT, WITH WASHER	1	MH/EH
4	90206-12M00-00	WASHER, WAVE	1	MH/EH
5	90201-12M07-00	WASHER, PLATE	1	MH/EH
6	65W-42123-00-00	BOLT, HANDLE JOINT	1	MH/EH
7	95380-06600-00	NUT, HEXAGON	1	MH/EH
8	65W-44124-00-00	LINK, SHIFT ROD	1	MH/EH
9	92990-06200-00	WASHER, PLAIN	1	MH/EH
10	90468-18008-00	CLIP	1	MH/EH
11	6E0-44191-11-00	INDICATOR, SHIFT	1	MH/EH
12	65W-42101-01-4D	HANDLE, STEERING	1	MH/EH
13	90109-06M86-00	.BOLT	2	
14	65W-42138-00-00	LEVER, THROTTLE	1	MH/EH
15	65W-42159-00-00	STAY	1	MH/EH
16	6G1-42126-00-00	FRICTION, STEERING HANDLE GRIP	1	MH/EH
17	65W-42125-00-00	BOLT, FRICTION ADJUSTING	1	MH/EH
18	91490-16010-00	PIN. COTTER	1	MH/EH
19	66M-42177-00-00	RUBBER, HANDLE	1	MH/EH
20	66M-42119-00-00	GRIP, STEERING HANDLE	1	MH/EH
21	6J0-42137-00-00	INDICATOR, THROTTLE	1	MH/EH
22	90269-02M09-00	RIVET	1	MH/EH
23	90149-05M13-00	SCREW	1	MH/EH
24	92903-10600-00	WASHER, PLATE	1	MH/EH
25	90501-23215-00	SPRING, COMPRESSION	1	MH/EH
26	90386-08032-00	BUSH	1	MH/EH
27	65W-26311-00-00	CABLE, THROTTLE 1	2	MH/EH
28	90446-10M86-00	HOSE (L140)	2	MH/EH
29	90446-14M88-00	HOSE	1	MH/EH
30	90386-40MA0-00	BUSH	1	MH/EH
31	90201-43M00-00	WASHER, PLATE	2	MH/EH
32	90206-43M22-00	WASHER, WAVE	2	MH/EH
33	90202-43M57-00	WASHER, PLATE	1	MH/EH
34	90386-40M99-00	BUSH	1	MH/EH
35	65W-42131-01-00	COVER, HANDLE STEERING	1	MH/EH
36	95780-10300-00	NUT, FLANGE	1	MH/EH
37	95380-10700-00	NUT	1	MH/EH
38	65W-42121-01-4D	BRACKET	1	MH/EH
39	65W-44173-00-00	LEVER, SHIFT CONTROL	1	EH/ER/TR
40	90254-03M05-00	PIN, SPRING	1	EH/ER/TR
41	6E0-83627-41-00	LABEL, CAUTION 7	1	MH/EH

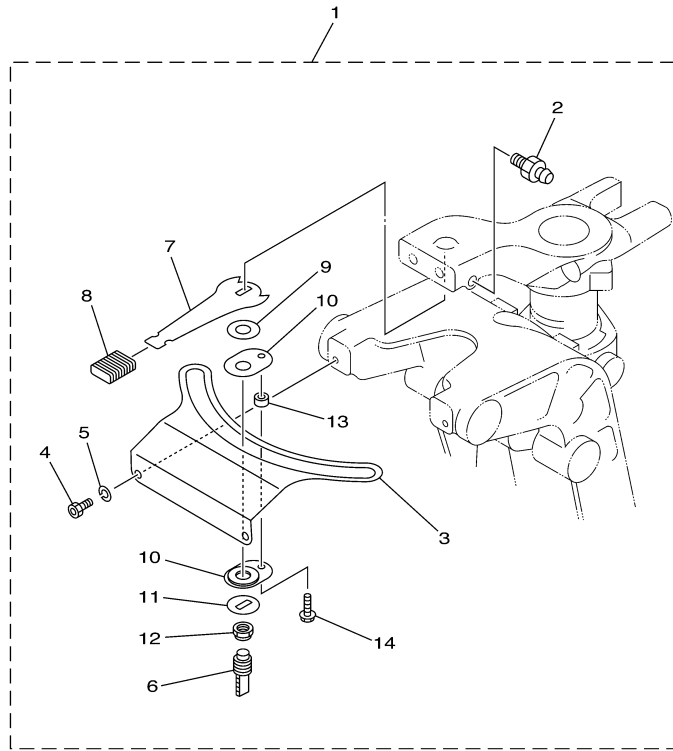
Part Notes

F25ESH 0405 / STEERING

PART NUMBER	NOTE TEXT
90468-18008-00 	OEM: This part number is among the Top 100 Most Popular Marine Maintenance Parts as of March 2014.

©2014 Yamaha Motor Corporation, U.S.A. All rights reserved.

F25ESH 0405 / STEERING FRICTION



65W1010-2180

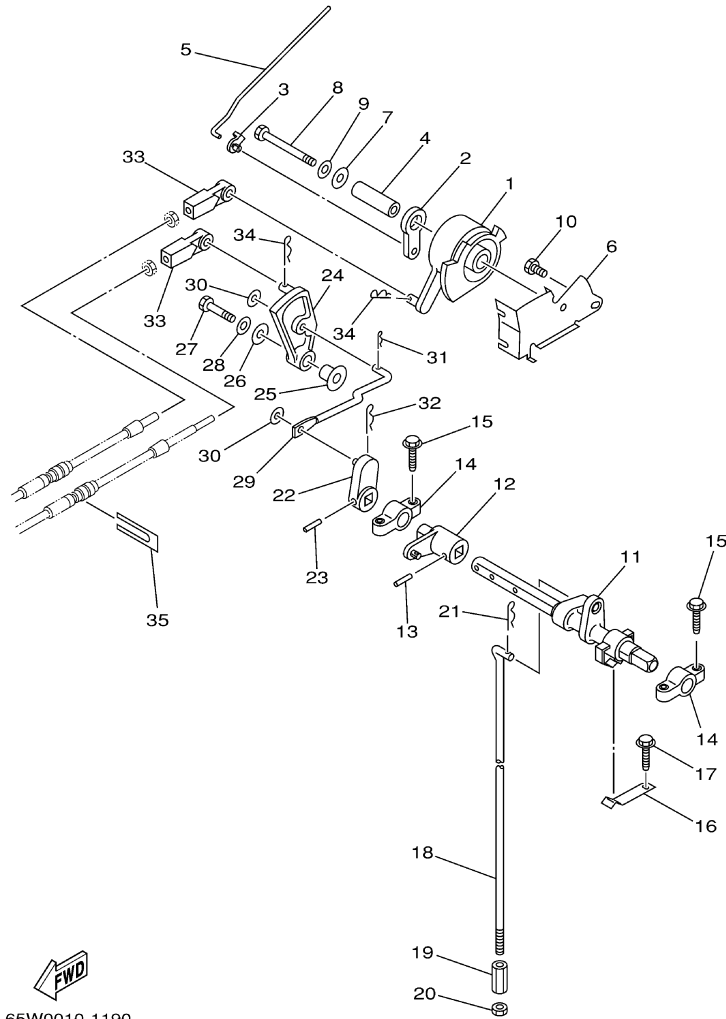
©2014 Yamaha Motor Corporation, U.S.A. All rights reserved.

Part List

F25ESH 0405 / STEERING FRICTION

REF - NO	PART NUMBER	PART NAME	QUANTITY	REMARKS
1	65W-42508-00-00	STEERING FRICTION ASSY	1	MH/EH
2	93700-06M03-00	.NIPPLE, GREASE	1	
3	65W-42527-00-00	.PLATE, FRICTION	1	
4	90109-06M88-00	.BOLT	2	
5	92990-06100-00	.WASHER, SPRING	2	
6	65W-42562-00-00	.SHAFT, STEERING LOCK	1	
7	65W-42561-00-00	.KNOB, STEERING LOCK	1	
8	689-43633-00-00	.COVER, TILT LEVER	1	
9	90202-10M56-00	.WASHER, PLATE	1	
10	65W-42528-00-00	.PLATE, FRICTION	2	
11	90209-10M26-00	.WASHER	1	
12	90185-10M14-00	.NUT, SELF-LOCKING	1	
13	90387-05M11-00	.COLLAR	1	
14	90109-05M89-00	.BOLT	1	

F25ESH 0405 / CONTROL




65W0010-1190

©2014 Yamaha Motor Corporation, U.S.A. All rights reserved.




Part List

F25ESH 0405 / CONTROL

REF - NO	PART NUMBER	PART NAME	QUANTITY	REMARKS
1	65W-41638-00-00	PULLEY	1	
2	65W-41283-00-00	.LEVER, FREE ACCEL.	1	
3	661-41262-02-00	JOINT, CHOKE LEVER	1	
4	90387-06064-00	COLLAR	1	
5	65W-41211-00-00	LINK, ACCEL.	1	
6	65W-14497-01-00	STAY, THROTTLE WIRE	1	
7	90201-06M31-00	.WASHER, PLATE	1	
8	97095-06055-00	BOLT	1	
9	92995-06600-00	WASHER	1	
10	97095-06010-00	BOLT	1	
11	65W-44121-00-00	LEVER, SHIFT ROD	1	
12	65W-44122-00-00	BUSHING, SHIFT ROD LEVER	1	
13	90254-03M05-00	PIN, SPRING	1	
14	6F5-41662-00-00	BRACKET 2	2	
15	90109-06M81-00	BOLT	4	
16	65W-44116-00-00	SPRING	1	
17	90109-06M86-00	BOLT	1	
18	65W-44143-10-00	ROD, SHIFT	1	UR L (21.6")
18	65W-44143-00-00	ROD, SHIFT	1	UR S (16.6")
19	90170-06015-00	NUT	1	
20	95380-06700-00	NUT	1	
21	90468-18008-00	CLIP	1	
22	65W-44142-00-00	.JOINT	1	
23	90254-03M05-00	PIN, SPRING	1	
24	65W-44125-00-00	.LEVER, SHIFT ROD	1	
25	90387-06M29-00	COLLAR	1	
26	90201-06M31-00	.WASHER, PLATE	1	
27	97095-06025-00	BOLT	1	
28	92995-06600-00	WASHER	1	
29	65W-44192-00-00	.JOINT, ROD 1	1	
30	90201-05M06-00	.WASHER, PLATE	2	
31	90468-10005-00	CLIP	1	
32	90468-18008-00	CLIP	1	
33	663-48344-00-00	.CABLE END, REMOTE CONTROL	2	ER/TR
34	90468-18008-00	CLIP	2	ER/TR
35	6H3-48538-00-00	.CLAMP, CABLE 1	1	ER/TR

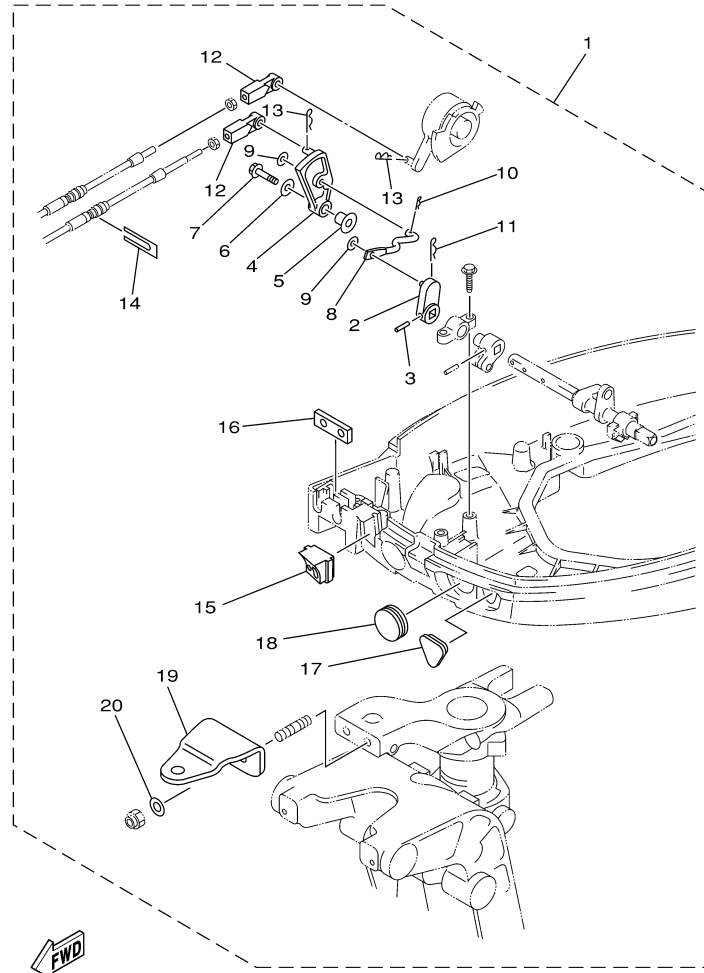
Part Notes

F25ESH 0405 / CONTROL

PART NUMBER	NOTE TEXT
90468-18008-00	 OEM: This part number is among the Top 100 Most Popular Marine Maintenance Parts as of March 2014.
90468-18008-00	 OEM: This part number is among the Top 100 Most Popular Marine Maintenance Parts as of March 2014.
90468-18008-00	 OEM: This part number is among the Top 100 Most Popular Marine Maintenance Parts as of March 2014.

©2014 Yamaha Motor Corporation, U.S.A. All rights reserved.

F25ESH 0405 / REMO CON ATTACHMENT




65W0010-9200

©2014 Yamaha Motor Corporation, U.S.A. All rights reserved.



Part List

F25ESH 0405 / REMO CON ATTACHMENT

REF - NO	PART NUMBER	PART NAME	QUANTITY	REMARKS
1	65W-48501-00-00	REMOTE CONT. ATTACHMENT ASSY.	1	AP MH/EH
2	65W-44142-00-00	.JOINT	1	
3	90254-03M05-00	.PIN, SPRING	1	
4	65W-44125-00-00	.LEVER, SHIFT ROD	1	
5	90387-06M29-00	.COLLAR	1	
6	90201-06M31-00	.WASHER, PLATE	1	
7	97595-06525-00	.BOLT, WITH WASHER	1	
8	65W-44192-00-00	.JOINT, ROD 1	1	
9	90201-05M06-00	.WASHER, PLATE	2	
10	90468-10005-00	.CLIP	1	
11	90468-18008-00	.CLIP	1	
12	663-48344-00-00	.CABLE END, REMOTE CONTROL	2	
13	90468-18008-00	.CLIP	2	
14	6H3-48538-00-00	.CLAMP, CABLE 1	1	
15	65W-42725-21-00	.GROMMET	1	
16	62Y-42727-00-00	.GROMMET	1	
17	65W-26326-10-00	.GROMMET	1	
18	65W-42726-10-00	.GROMMET	1	
19	65W-48511-00-00	.HOOK, STEERING	1	
20	90201-10120-00	.WASHER, PLATE	2	

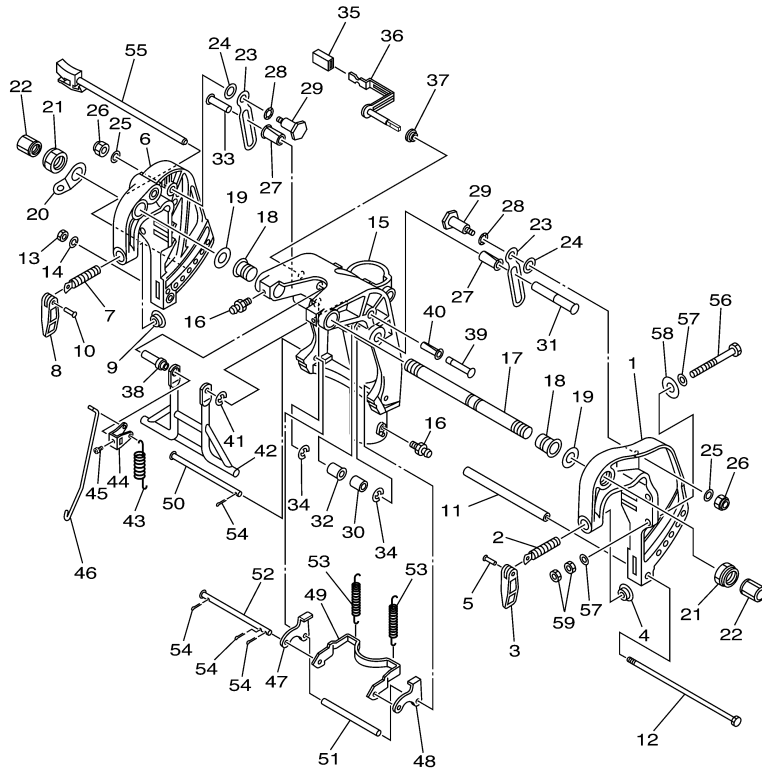
Part Notes

F25ESH 0405 / REMO CON ATTACHMENT

PART NUMBER		NOTE TEXT
90468-18008-00		OEM: This part number is among the Top 100 Most Popular Marine Maintenance Parts as of March 2014.
90468-18008-00		OEM: This part number is among the Top 100 Most Popular Marine Maintenance Parts as of March 2014.

©2014 Yamaha Motor Corporation, U.S.A. All rights reserved.

F25ESH 0405 / BRACKET 1 MH EH ER



65W4110-D220

©2014 Yamaha Motor Corporation, U.S.A. All rights reserved.

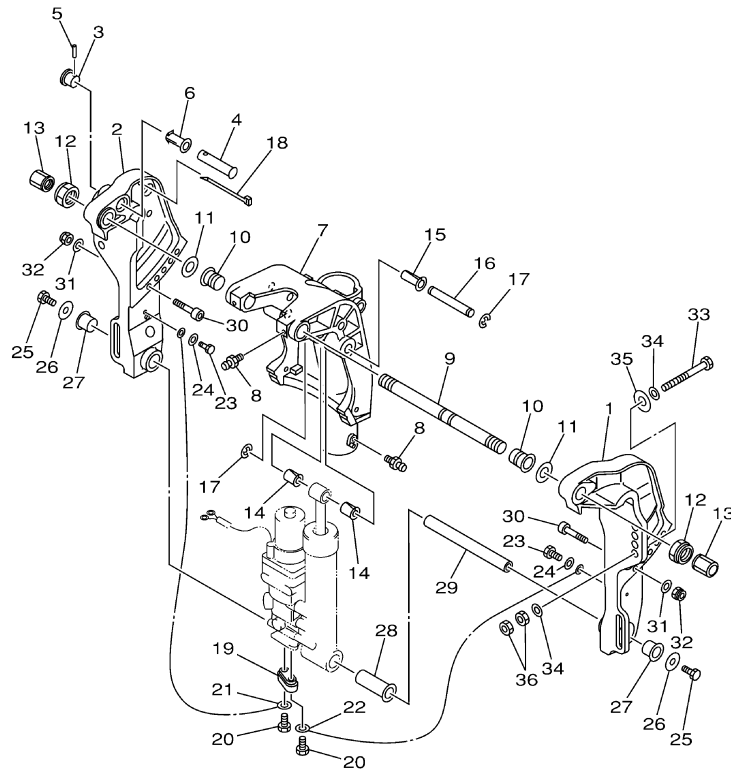
Part List

F25ESH 0405 / BRACKET 1 MH EH ER

REF - NO	PART NUMBER	PART NAME	QUANTITY	REMARKS
1	66T-43111-01-4D	BRACKET, CLAMP 1	1	
2	90149-14M12-00	SCREW	1	
3	663-43118-01-4D	HANDLE, TRANSOM CLAMP	1	
4	648-43114-01-00	PAD, TRANSOM CLAMP	1	
5	90243-04007-00	PIN	1	
6	66T-43112-01-4D	BRACKET, CLAMP 2	1	
7	90149-14M12-00	SCREW	1	
8	663-43118-01-4D	HANDLE, TRANSOM CLAMP	1	
9	648-43114-01-00	PAD, TRANSOM CLAMP	1	
10	90243-04007-00	PIN	1	
11	90387-08M29-00	COLLAR	1	
12	90101-08M76-00	BOLT	1	
13	95380-08600-00	NUT	1	
14	92990-08100-00	WASHER, SPRING	1	
15	65W-43311-10-4D	BRACKET, SWIVEL 1	1	UR L (21.6")
15	65W-43311-00-4D	BRACKET, SWIVEL 1	1	UR S (16.6")
16	93700-06M03-00	NIPPLE, GREASE	3	UR ER
16	93700-06M03-00	NIPPLE, GREASE	1	UR MH/EH
17	63D-43131-01-00	BOLT, CLAMP BRACKET	1	
18	90386-22M15-00	BUSH	2	
19	90201-22M03-00	WASHER, PLATE	2	
20	6J8-43113-01-00	PLATE, CLAMP BRACKET	1	
21	90185-22M11-00	NUT, SELF-LOCKING	2	
22	6G5-43145-01-00	CAP, CLAMP BRACKET	2	
23	66T-43627-00-00	STOPPER	2	
24	90202-12031-00	WASHER, PLATE	2	
25	90201-08M07-00	WASHER, PLATE	2	
26	90185-08057-00	NUT, SELF-LOCKING	2	
27	90386-12M98-00	BUSH	2	
28	90206-12M00-00	WASHER, WAVE	2	
29	90109-08M90-00	BOLT	2	
30	90387-12M04-00	COLLAR	1	
31	90249-12M39-00	PIN	1	
32	90386-12MA0-00	BUSH	1	
33	90249-12M34-00	PIN	1	
34	93430-10M00-00	CIRCLIP	2	
35	682-43318-01-00	COVER	1	
36	65W-43630-11-00	TILT LEVER ASSY	1	
37	90386-07MA2-00	BUSH	1	
38	90387-07M05-00	COLLAR	1	
39	90249-10M31-00	PIN	1	
40	90386-10M99-00	BUSH	1	
41	99080-08600-00	CIRCLIP	1	
42	66T-43350-02-00	RECEIVER ASSY	1	
43	90506-20M37-00	SPRING, TENSION	1	
44	66T-43631-11-00	LEVER, TILT	1	
45	90157-05014-00	SCREW, PAN HEAD	1	
46	65W-43616-00-00	ROD, TILT LOCK	1	
47	65W-43614-01-00	PLATE, TILT LOCK	1	
48	65W-43615-01-00	PLATE, TILT LOCK	1	
49	65W-43613-00-00	ARM, TILT LOCK	1	
50	90249-07M32-00	PIN	1	
51	90387-07M29-00	COLLAR	1	
52	90249-07M33-00	PIN	1	

53	90506-30M00-00	SPRING, TENSION	2	
54	91490-20012-00	PIN. COTTER	4	
55	65W-43160-00-00	TILT ROD ASSY	1	
56	90101-10M58-00	BOLT	4	ER
57	92995-10600-00	WASHER	8	ER
58	90201-12426-00	WASHER, PLATE	4	ER
59	95380-10600-00	NUT	8	ER

F25ESH 0405 / BRACKET 2 TR



65W0010-1230

©2014 Yamaha Motor Corporation, U.S.A. All rights reserved.


Part List

F25ESH 0405 / BRACKET 2 TR

REF - NO	PART NUMBER	PART NAME	QUANTITY	REMARKS
1	65W-43111-10-4D	BRACKET, CLAMP 1	1	
2	65W-43112-10-4D	BRACKET, CLAMP 2	1	
3	65W-43192-00-00	KNOB, STOPPER	1	
4	65W-43191-00-00	SHAFT, STOPPER	1	
5	91690-30018-00	PIN, SPRING	1	
6	90386-14MA1-00	BUSH	1	
7	65W-43311-10-4D	BRACKET, SWIVEL 1	1	L (21.6")
8	93700-06M03-00	NIPPLE, GREASE	3	
9	63D-43131-01-00	BOLT, CLAMP BRACKET	1	
10	90386-22M15-00	BUSH	2	
11	90201-22M03-00	WASHER, PLATE	2	
12	90185-22M11-00	NUT, SELF-LOCKING	2	
13	6G5-43145-01-00	CAP, CLAMP BRACKET	2	
14	90386-12MA0-00	BUSH	2	
15	90386-12M98-00	BUSH	1	
16	90249-12M38-00	PIN	1	
17	93430-10M00-00	CIRCLIP	2	
18	90465-13M11-00	CLAMP	2	
19	65W-45251-00-00	ANODE	1	
20	90101-06020-00	BOLT	2	
21	6H1-82148-00-00	WIRE, LEAD 4	1	
22	6U0-82127-00-00	WIRE, LEAD 2	1	
23	97095-06014-00	BOLT	2	
24	92995-06600-00	WASHER	2	
25	97080-08016-00	BOLT	2	
26	90201-08M00-00	WASHER, PLATE	2	
27	90386-18M44-00	BUSH	2	
28	90386-18MA0-00	BUSH	1	
29	90249-18M35-00	PIN	1	
30	90110-10M02-00	BOLT, HEXAGON SOCKET HEAD	2	
31	92995-10600-00	WASHER	2	
32	90185-10M13-00	NUT, SELF-LOCKING	2	
33	90101-12M65-00	BOLT	4	
34	92995-12200-00	WASHER	8	
35	90201-12426-00	WASHER, PLATE	4	
36	95380-12600-00	NUT	8	

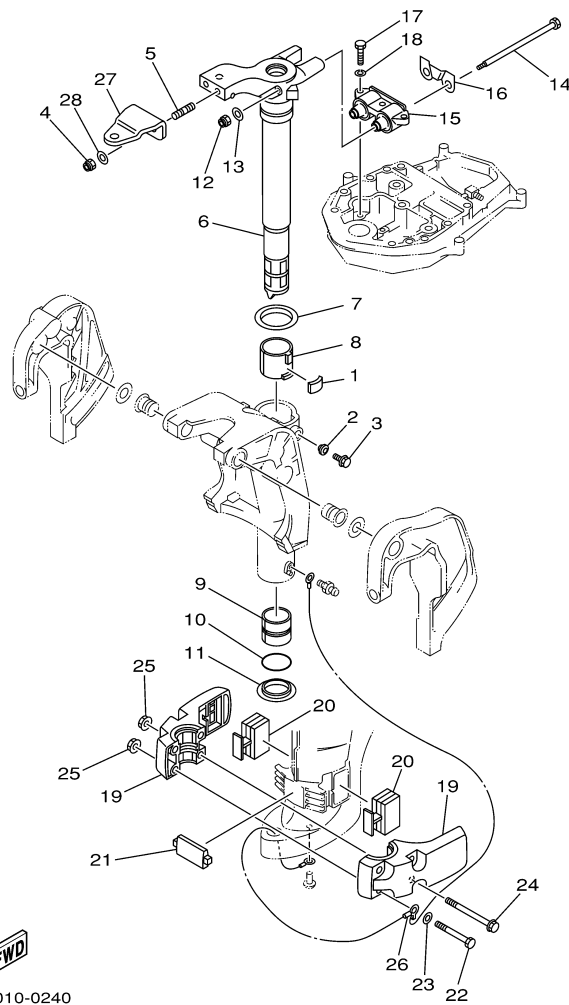
Part Notes

F25ESH 0405 / BRACKET 2 TR

PART NUMBER	NOTE TEXT
65W-45251-00-00 	OEM: This part number is among the Top 100 Most Popular Marine Maintenance Parts as of March 2014.

©2014 Yamaha Motor Corporation, U.S.A. All rights reserved.

F25ESH 0405 / BRACKET 3



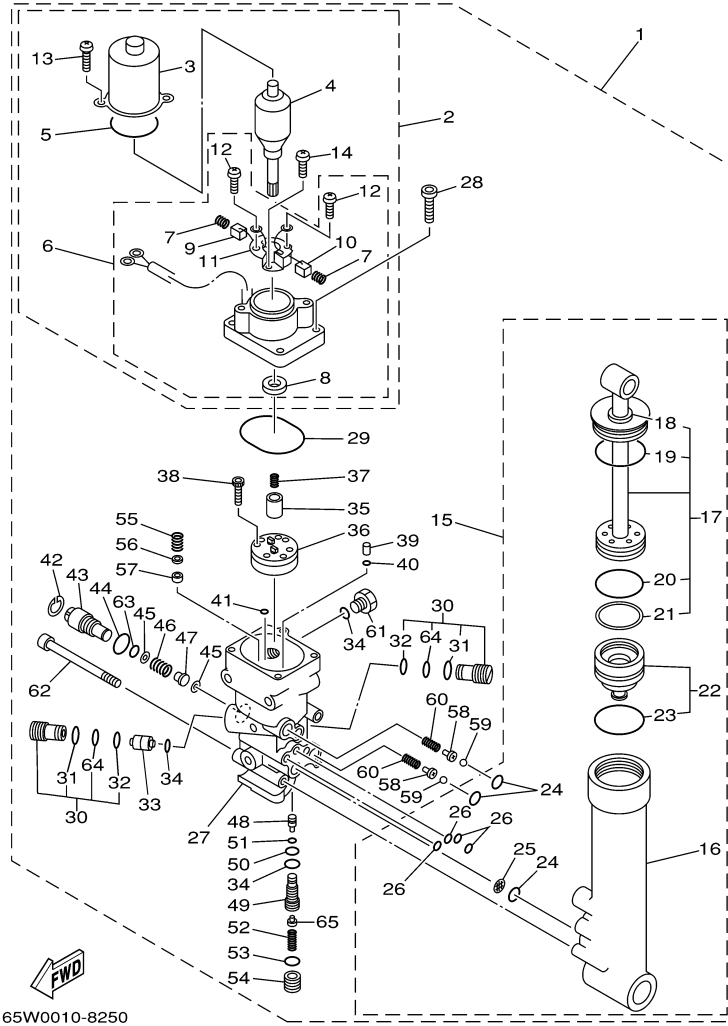
©2014 Yamaha Motor Corporation, U.S.A. All rights reserved.

Part List

F25ESH 0405 / BRACKET 3

REF - NO	PART NUMBER	PART NAME	QUANTITY	REMARKS
1	648-42528-00-00	PLATE, FRICTION	1	
2	65W-43373-00-00	SEAL, DAMPER	1	
3	90105-08M76-00	BOLT, FLANGE	1	
4	90185-10051-00	NUT, SELF-LOCKING	2	
5	90116-10M28-00	BOLT, STUD	2	
6	65W-42511-10-4D	BRACKET, STEERING	1	UR L (21.6")
6	65W-42511-00-4D	BRACKET, STEERING	1	UR S (16.6")
7	90209-52M00-00	WASHER	1	
8	90386-52M02-00	BUSH	1	
9	90386-44M03-00	BUSH	1	
10	93210-43M10-00	O-RING	1	
11	90386-44M99-00	BUSH	1	
12	90185-08045-00	NUT, SELF-LOCKING	2	
13	92995-08200-00	WASHER	2	
14	90101-08M86-00	BOLT	2	
15	67C-44514-20-4D	MOUNT DAMPER, UPPER SIDE	1	
16	66T-44526-30-00	PLATE	1	
17	97075-08030-00	BOLT	3	
18	92995-08100-00	WASHER	3	
19	65W-44551-11-4D	HOUSING, LOWER MOUNT RUBBER 1	2	
20	65W-44555-00-00	MOUNT DAMPER, LOWER SIDE	2	
21	65W-44575-01-00	DAMPER, LOWER MOUNT RUBBER	1	
22	97075-10080-00	BOLT	2	
23	92995-10600-00	WASHER	2	
24	90119-10M14-00	BOLT, WITH WASHER	2	
25	90179-10M33-00	NUT	4	
26	65W-82127-10-00	WIRE, LEAD 2	1	
27	65W-48511-00-00	HOOK, STEERING	1	ER/TR
28	90201-10120-00	.WASHER, PLATE	2	ER/TR

F25ESH 0405 / POWER TRIM TILT ASSY



©2014 Yamaha Motor Corporation, U.S.A. All rights reserved.

Part List



F25ESH 0405 / POWER TRIM TILT ASSY

REF - NO	PART NUMBER	PART NAME	QUANTITY	REMARKS
1	65W-43800-02-4D	POWER TRIM & TILT ASSY	1	TR
2	65W-43880-00-00	.MOTOR ASSY	1	
3	65W-43804-00-00	..STATOR ASSY	1	
4	65W-43805-00-00	..ARMATURE ASSY	1	
5	65W-43869-00-00	..O-RING	1	
6	65W-43881-00-00	..FRAME, END	1	
7	65W-4386K-00-00	...SPRING, BRUSH	2	
8	65W-43882-00-00	...OIL SEAL	1	
9	65W-43892-00-00	...BRUSH 2	1	
10	65W-43891-00-00	...BRUSH 1	1	
11	65W-4380F-00-00	...PLATE, BRUSH HOLDER	1	
12	65W-43879-00-00	...SCREW, WITH WASHER	2	
13	65W-43887-00-00	..BOLT	2	
14	65W-4388E-00-00	..BOLT	1	
15	65W-43840-00-00	.POWER TILT ASSY	1	
16	65W-4380K-00-00	..CYLINDER, TILT SUB ASSY	1	
17	65W-43810-00-00	..TILT PISTON SUB ASSY	1	
18	65W-43812-00-00	...SEAL, DUST	1	
19	65W-43865-00-00	...O-RING	1	
20	6H1-43861-10-00	...O-RING	1	
21	65W-43871-00-00	...RING, BACK UP	1	
22	65W-4381B-00-00	..FREE PISTON SUB ASSY	1	
23	6H1-43861-10-00	...O-RING	1	
24	93210-11368-00	..O-RING	3	
25	6H1-43816-00-00	..FILTER 1	1	
26	93210-064A5-00	..O-RING	4	
27	65W-4380L-00-00	.HOUSING, TRIM & TILT SUB ASSY	1	
28	65W-43888-00-00	.BOLT, SOCKET	4	
29	93210-50768-00	.O-RING	1	
30	6T4-43802-03-00	.VALVE SUB ASSY	2	
31	6H1-43866-00-00	..O-RING	1	
32	6H1-43867-00-00	..O-RING	1	
33	62X-43841-00-00	.PISTON, SHUTTLE	1	
34	93210-09165-00	.O-RING	3	
35	65W-43831-00-00	.CONNECTOR, SHAFT	1	
36	65W-43830-00-00	.GEAR PUMP ASSY	1	
37	6T4-43853-00-00	.SPRING, MAIN VALVE	1	
38	91318-04025-00	.BOLT	4	
39	65W-43817-00-00	.FILTER 2	2	
40	65W-43861-00-00	.O-RING	2	
41	65W-43862-00-00	.O-RING	2	
42	6H1-43875-00-00	.RING, SNAP	1	
43	6H1-43845-00-00	.SCREW, MANUAL RELEASE	1	
44	93210-18397-00	.O-RING	1	
45	6H1-43847-00-00	.SEAT, MANUAL VALVE	2	
46	65W-43854-00-00	.SPRING, MANUAL RELEASE	1	
47	65W-4382A-00-00	.ADAPTOR 1	1	
48	65W-43844-00-00	.PIN, VALVE SUPPORT	1	
49	65W-43851-00-00	.SEAT, RELIEF VALVE	1	
50	93210-08006-00	.O-RING	1	
51	93210-03478-00	.O-RING	1	
52	65W-43855-00-00	.SPRING, UP RELIEF	1	
53	93210-11073-00	.O-RING	1	

54	65W-43843-00-00	.SCREW, VALVE LOCK	1	
55	6H1-43856-10-00	.SPRING, DOWN RELIEF	1	
56	6H1-43844-10-00	.PIN, VALVE SUPPORT	1	
57	6H1-4384F-10-00	.SEAL, MAIN VALVE	1	
58	65W-4386A-00-00	.PIN, ABSORBER VALVE	2	
59	93501-08001-00	.BALL	2	
60	65W-43853-00-00	.SPRING, MAIN VALVE	2	
61	6H1-43829-00-00	.PLUG, RESERVOIR	1	
62	62X-43878-00-00	.BOLT, SOCKET	3	
63	93210-10M74-00	.O-RING	1	
64	93210-10M74-00	.O-RING	1	
65	6T4-43808-00-00	.SEAT VALVE COMP 1	1	

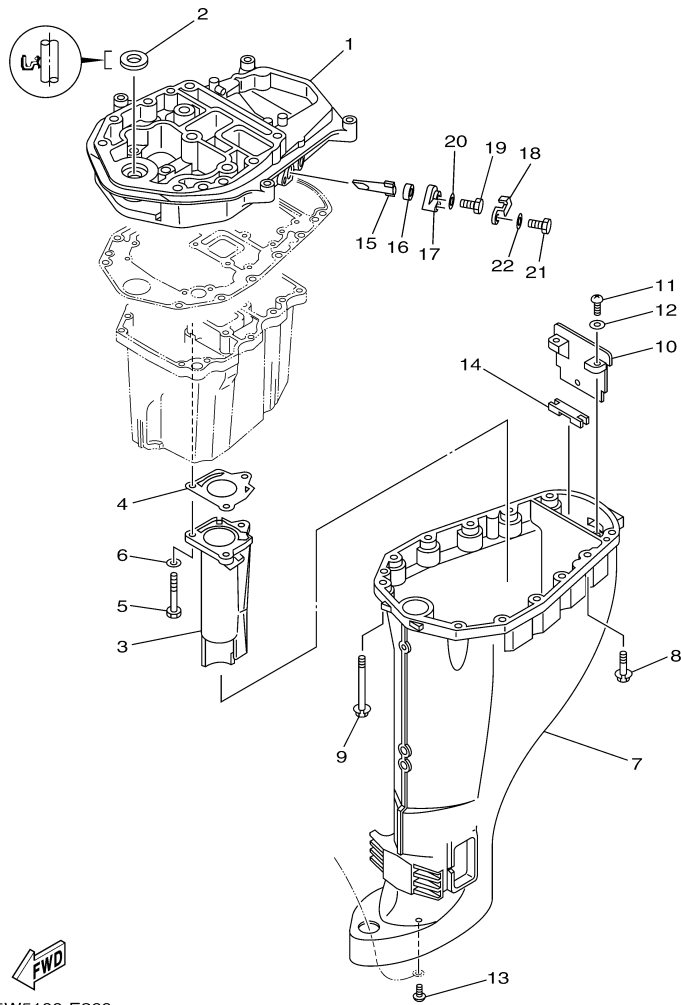
Part Notes

F25ESH 0405 / POWER TRIM TILT ASSY

PART NUMBER		NOTE TEXT
6H1-43861-10-00		OEM: This part number is among the Top 100 Most Popular Marine Maintenance Parts as of March 2014.
6H1-43861-10-00		OEM: This part number is among the Top 100 Most Popular Marine Maintenance Parts as of March 2014.

©2014 Yamaha Motor Corporation, U.S.A. All rights reserved.

F25ESH 0405 / UPPER CASING



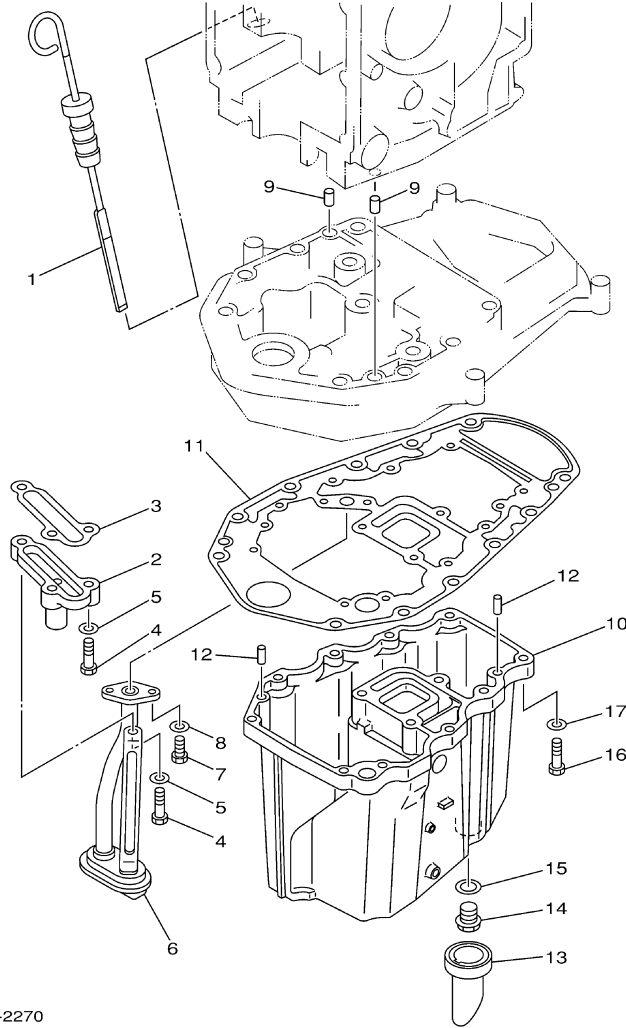
©2014 Yamaha Motor Corporation, U.S.A. All rights reserved.

Part List

F25ESH 0405 / UPPER CASING

REF - NO	PART NUMBER	PART NAME	QUANTITY	REMARKS
1	65W-41137-11-94	GUIDE, EXHAUST	1	
2	93110-16004-00	.OIL SEAL	1	
3	68U-41131-00-5B	MANIFOLD, EXT. 1	1	
4	67C-41133-00-00	.GASKET, EXHAUST MANIFOLD 1	1	
5	97075-06050-00	BOLT	3	
6	92995-06600-00	WASHER	3	
7	6D5-45111-A0-4D	CASING, UPPER	1	UR S (16.6")
7	6D5-45111-10-4D	CASING, UPPER	1	UR L (21.6")
8	90119-08M79-00	BOLT, WITH WASHER	4	
9	90119-08M82-00	BOLT, WITH WASHER	8	
10	65W-45151-00-00	COVER, UPPER CASING	1	
11	97880-05016-00	SCREW, PAN HEAD	2	
12	92990-05600-00	WASHER, PLATE	2	
13	90157-06M06-00	SCREW, PAN HEAD	1	
14	65W-45128-00-00	.SEAL 2	1	
15	62Y-11325-00-00	ANODE	1	
16	66M-11328-00-00	GROMMET, ANODE	1	
17	66M-11327-00-94	COVER, ANODE	1	
18	66M-12535-00-00	PLATE	1	
19	97095-05012-00	BOLT	1	
20	92995-05600-00	WASHER	1	
21	97013-06020-00	BOLT	1	
22	92903-06600-00	WASHER, PLATE	1	

F25ESH 0405 / OIL PAN



FWD
65W1010-2270

©2014 Yamaha Motor Corporation, U.S.A. All rights reserved.


Part List

F25ESH 0405 / OIL PAN

REF - NO	PART NUMBER	PART NAME	QUANTITY	REMARKS
1	65W-15362-01-00	PLUG, OIL LEVEL	1	
2	62Y-11575-00-00	RELIEF VALVE ASSY	1	
3	62Y-13475-00-00	.GASKET	1	
4	97013-06025-00	BOLT	3	
5	92903-06600-00	WASHER, PLATE	3	
6	65W-13411-00-00	STRAINER, OIL	1	
7	97013-06016-00	BOLT	2	
8	92903-06600-00	WASHER, PLATE	2	
9	93608-12M05-00	PIN, DOWEL	2	
10	65W-15311-02-5B	OIL PAN	1	
11	69W-15312-00-00	.GASKET, OIL PAN	1	
12	93606-12019-00	.PIN, DOWEL	4	
13	65W-15316-00-00	DAMPER 1	1	
14	90340-14M06-00	PLUG, STRAIGHT SCREW	1	
15	90430-14M09-00	.GASKET	1	
16	97075-06025-00	BOLT	10	
17	92995-06600-00	WASHER	10	

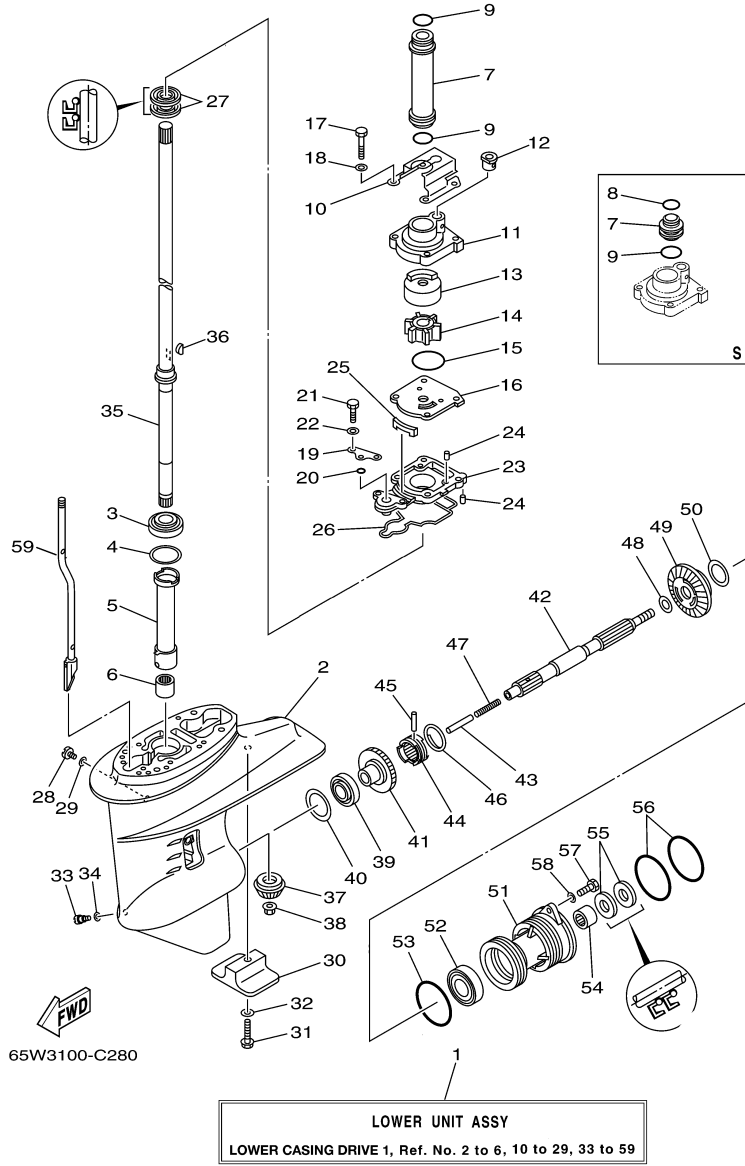
Part Notes

F25ESH 0405 / OIL PAN

PART NUMBER	NOTE TEXT
90430-14M09-00 	OEM: This part number is among the Top 100 Most Popular Marine Maintenance Parts as of March 2014.

©2014 Yamaha Motor Corporation, U.S.A. All rights reserved.

F25ESH 0405 / LOWER CASING DRIVE 1



©2014 Yamaha Motor Corporation, U.S.A. All rights reserved.

Part List




F25ESH 0405 / LOWER CASING DRIVE 1

REF - NO	PART NUMBER	PART NAME	QUANTITY	REMARKS
1	65W-45300-11-4D	LOWER UNIT ASSY	1	UR L (21.6")
1	65W-45300-01-4D	LOWER UNIT ASSY	1	UR S (16.6")
2	61N-45311-02-4D	CASING, LOWER	1	
3	93332-000W5-00	BEARING	1	
4	61N-45587-00-00	SHIM (T:0.7MM)	1	UR
4	61N-45587-10-00	SHIM (T:1.0MM)	1	UR
4	61N-45587-20-00	SHIM (T:1.1MM)	1	UR
4	61N-45587-70-00	SHIM (T:1.6MM)	1	UR
4	61N-45587-40-00	SHIM (T:1.3MM)	1	UR
4	61N-45587-50-00	SHIM (T:1.4MM)	1	UR
4	61N-45587-60-00	SHIM (T:1.5MM)	1	UR
4	61N-45587-30-00	SHIM (T:1.2MM)	1	UR
5	61N-45536-00-00	SLEEVE, DRIVE SHAFT	1	
6	93315-220V7-00	BEARING	1	
7	61N-44362-00-00	TUBE, WATER 2	1	UR S (16.6")
7	61N-44362-10-00	TUBE, WATER 2	1	UR L (21.6")
8	93210-22164-00	.O-RING	1	S (16.6")
9	93210-26130-00	.O-RING	2	UR L (21.6")
9	93210-26130-00	.O-RING	1	UR S (16.6")
10	65W-44328-11-00	PLATE	1	L (21.6")
11	61N-44311-01-00	.HOUSING, WATER PUMP	1	
12	6L2-44367-00-00	.DAMPER, WATER SEAL 3	1	
13	61N-44322-01-00	.INSERT, CARTRIDGE	1	
14	6H4-44352-02-00	.IMPELLER	1	
15	93210-45161-00	.O-RING	1	
16	61N-44323-00-00	.OUTER PLATE, CARTRIDGE	1	
17	97095-06040-00	.BOLT	4	
18	92995-06600-00	WASHER	4	
19	65W-44176-00-00	BRACKET	1	
20	93210-06ME6-00	.O-RING	1	
21	97095-06025-00	BOLT	2	
22	92995-06600-00	WASHER	2	
23	65W-45331-00-5B	HOUSING, BEARING	1	
24	93604-10M03-00	PIN, DOWEL	3	
25	61N-45127-00-00	SEAL	1	
26	61N-45315-00-00	.PACKING, LOWER CASING	1	
27	93101-22067-00	.OIL SEAL	2	
28	90340-08002-00	PLUG, STRAIGHT SCREW	1	
29	90430-08020-00	.GASKET	1	
30	61N-45251-01-00	ANODE	1	
31	95895-06035-00	BOLT, FLANGE	1	
32	92990-06300-00	WASHER, INTERNAL TOOTH	1	
33	688-45341-10-00	PLUG, DRAIN	1	
34	90430-08020-00	.GASKET	1	
35	61N-45510-00-00	DRIVE SHAFT ASSY	1	UR S (16.6")
35	61N-45510-10-00	DRIVE SHAFT ASSY	1	UR L (21.6")
36	90280-03024-00	.KEY, WOODRUFF	1	
37	61N-45551-00-00	PINION (13T)	1	
38	90179-10M14-00	NUT	1	
39	93332-00005-00	BEARING	1	
40	6L2-45567-00-00	SHIM (T:1.0MM)	1	UR
40	6L2-45567-10-00	SHIM (T:1.1MM)	1	UR
40	6L2-45567-40-00	SHIM (T:1.4MM)	1	UR
40	6L2-45567-30-00	SHIM (T:1.3MM)	1	UR

40	6L2-45567-20-00	SHIM (T:1.2MM)	1	UR
41	61N-45560-10-00	GEAR 1 (27T)	1	
42	65W-45611-00-00	SHAFT, PROPELLER	1	
43	648-45635-00-00	PLUNGER, SHIFT	1	
44	664-45631-02-00	CLUTCH, DOG	1	
45	90250-05010-00	PIN, STRAIGHT	1	
46	648-45633-00-00	RING, CROSS PIN	1	
47	90501-10065-00	SPRING, COMPRESSION	1	
48	90201-20417-00	WASHER, PLATE	1	
49	61N-45571-00-00	GEAR 2 (27T)	1	
50	6L2-45577-00-00	SHIM (T:1.0MM)	1	UR
50	6L2-45577-30-00	SHIM (T:1.3MM)	1	UR
50	6L2-45577-20-00	SHIM (T:1.2MM)	1	UR
50	6L2-45577-10-00	SHIM (T:1.1MM)	1	UR
51	61N-45361-01-4D	CAP, LOWER CASING	1	
52	93306-00612-00	BEARING	1	
53	93210-64ME7-00	.O-RING	1	
54	93315-22004-00	BEARING	1	
55	93101-20M07-00	.OIL SEAL	2	
56	93210-65M50-00	.O-RING	2	
57	97075-06020-00	BOLT	2	
58	92995-06600-00	WASHER	2	
59	65W-44150-11-00	SHIFT CAM ASSY	1	UR L (21.6")
59	65W-44150-01-00	SHIFT CAM ASSY	1	UR S (16.6")

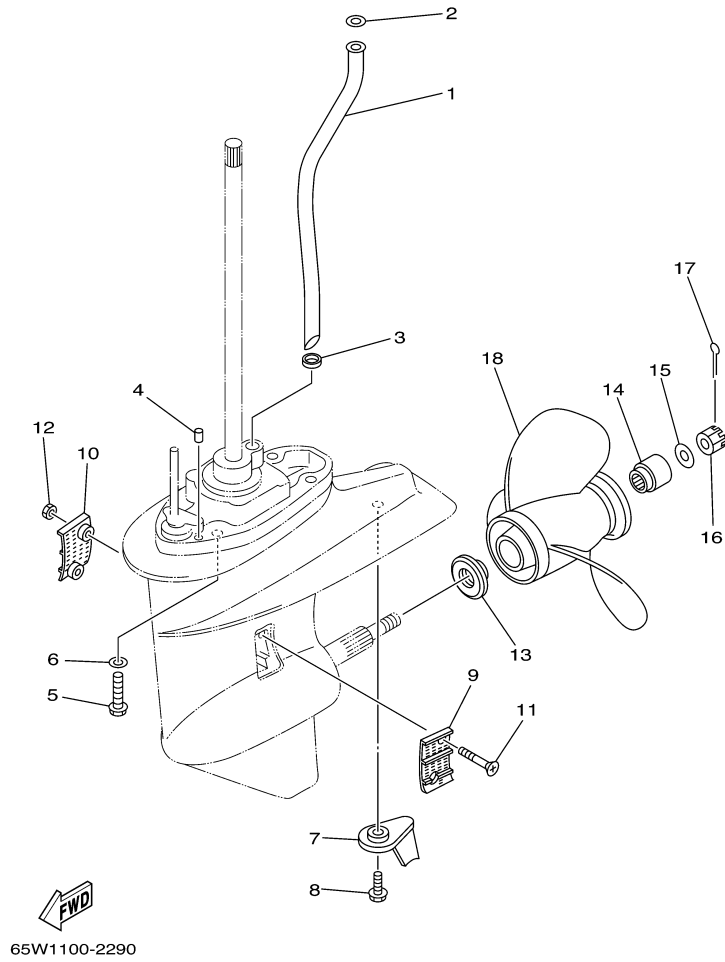
Part Notes

F25ESH 0405 / LOWER CASING DRIVE 1

PART NUMBER		NOTE TEXT
6H4-44352-02-00		OEM: This part number is among the Top 100 Most Popular Marine Maintenance Parts as of March 2014.
90430-08020-00		OEM: This part number is among the Top 100 Most Popular Marine Maintenance Parts as of March 2014.
90430-08020-00		OEM: This part number is among the Top 100 Most Popular Marine Maintenance Parts as of March 2014.

©2014 Yamaha Motor Corporation, U.S.A. All rights reserved.

F25ESH 0405 / LOWER CASING DRIVE 2



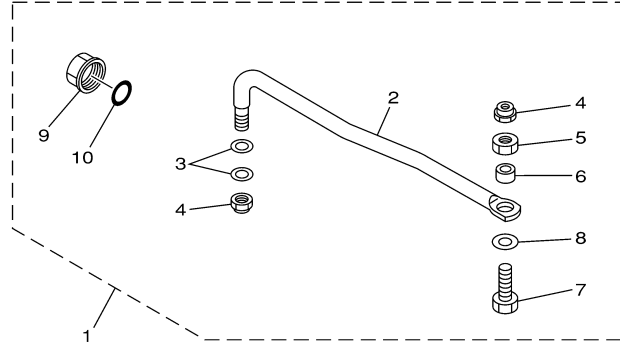
©2014 Yamaha Motor Corporation, U.S.A. All rights reserved.

Part List

F25ESH 0405 / LOWER CASING DRIVE 2

REF - NO	PART NUMBER	PART NAME	QUANTITY	REMARKS
1	65W-44361-11-00	TUBE, WATER	1	UR L (21.6")
1	65W-44361-01-00	TUBE, WATER	1	UR S (16.6")
2	90202-12060-00	WASHER, PLATE	1	
3	90430-10002-00	.GASKET	1	
4	93606-11M24-00	PIN, DOWEL	2	
5	90105-10M12-00	BOLT, FLANGE	4	
6	92995-10600-00	WASHER	4	
7	61N-45371-00-00	TAB-TRIM	1	
8	90119-06M48-00	BOLT, WITH WASHER	1	
9	6L2-45214-00-00	COVER, WATER INLET 1	1	
10	6L2-45215-00-00	COVER, WATER INLET 2	1	
11	90151-05M05-00	SCREW, COUNTERSUNK	2	
12	90185-05002-00	NUT, NYLON	2	
13	6L2-45987-01-00	SPACER 1	1	
14	689-45997-00-00	SPACER 2	1	
15	92990-14200-00	WASHER, PLAIN	1	
16	90171-14013-00	NUT, CASTLE	1	
17	91490-30022-00	PIN. COTTER	1	
18	664-45941-01-EL	PROPELLER (3X9-7/8"X9"-F)	1	UR
18	664-45943-01-EL	PROPELLER (3X9-7/8"X8"-F)	1	UR
18	664-45945-00-EL	PROPELLER (3X9-7/8"X10-1/2"-F)	1	UR
18	664-45947-01-EL	PROPELLER (3X9-7/8"X11-1/4"-F)	1	UR
18	664-45954-01-EL	PROPELLER (3X9-7/8"X12"-F)	1	UR
18	664-45952-00-EL	PROPELLER (3X9-7/8"X14"-F)	1	UR
18	664-45970-00-98	PROPELLER (3X9-1/8"X13"-F)	1	UR
18	664-45972-00-98	PROPELLER (3X9-1/8"X12"-F)	1	UR
18	664-45949-02-EL	PROPELLER (3X9-7/8"X13"-F)	1	UR

F25ESH 0405 / STEERING GUIDE



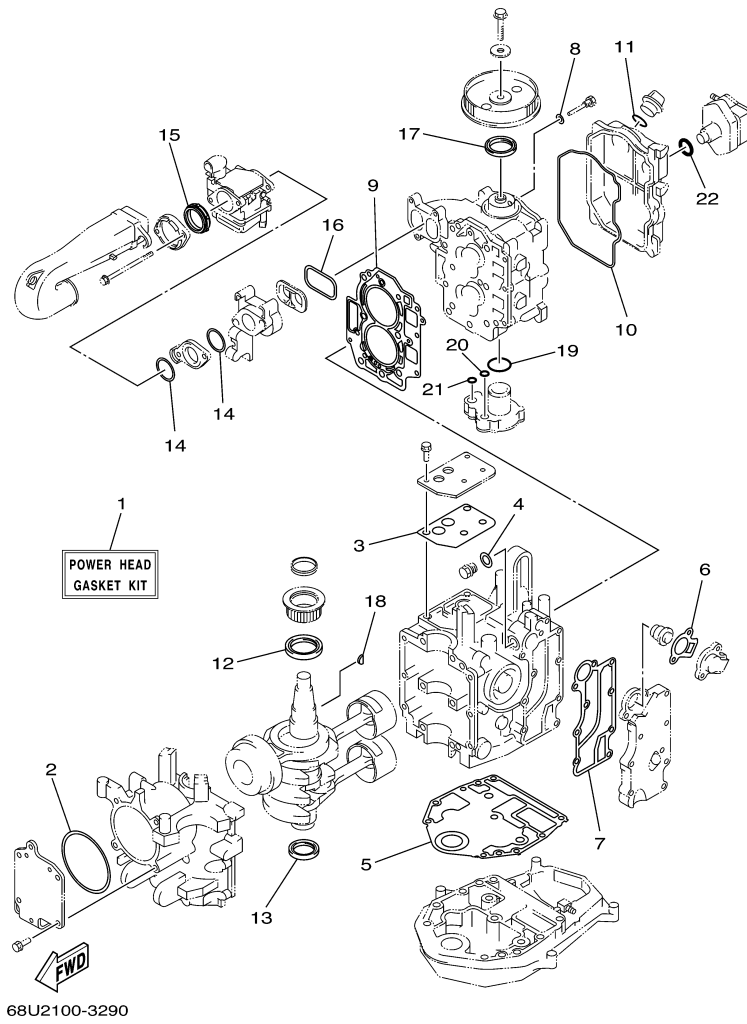
65W0010-8210

Part List

F25ESH 0405 / STEERING GUIDE

REF - NO	PART NUMBER	PART NAME	QUANTITY	REMARKS
1	65W-61350-00-00	STEERING GUIDE ATTACHMENT KIT	1	AP ER/TR
2	65W-61351-00-00	.ROD, STEERING LINK	1	
3	90201-10M20-00	.WASHER, PLATE	2	
4	90185-09M01-00	.NUT, SELF-LOCKING	2	
5	90170-09M03-00	.NUT	1	
6	90387-10M42-00	.COLLAR	1	
7	90101-09M01-00	.BOLT	1	
8	90201-10M63-00	.WASHER, PLATE	1	
9	6E5-43145-01-00	.CAP, CLAMP BRACKET	1	
10	93210-16275-00	.O-RING	1	

F25ESH 0405 / REPAIR KIT 1



©2014 Yamaha Motor Corporation, U.S.A. All rights reserved.


Part List

F25ESH 0405 / REPAIR KIT 1

REF - NO	PART NUMBER	PART NAME	QUANTITY	REMARKS
1	6D5-W0001-00-00	POWER HEAD GASKET KIT	1	
2	65W-15663-00-00	.SEAL	1	
3	65W-11169-01-00	.GASKET, BREATHER COVER	1	
4	90430-14115-00	.GASKET	1	
5	65W-11351-10-00	.GASKET, CYLINDER	1	
6	62Y-12414-00-00	.GASKET, COVER	1	
7	65W-41114-00-00	.GASKET, EXHAUST OUTER COVER	1	
8	90430-06014-00	.GASKET	1	
9	65W-11181-30-00	.GASKET, CYLINDER HEAD 1	1	
10	65W-11356-00-00	.SEAL, CYLINDER 2	1	
11	93210-24M79-00	.O-RING	1	
12	93102-43004-00	.OIL SEAL	1	
13	93101-35002-00	.OIL SEAL	1	
14	65W-14198-00-00	.GASKET	2	
15	65W-14457-10-00	.SEAL	1	
16	65W-13645-00-00	.GASKET, MANIFOLD 1	1	
17	93102-37M40-00	.OIL SEAL	1	
18	90280-04M06-00	.KEY, WOODRUFF	1	
19	93210-33MH2-00	.O-RING	1	
20	93210-12MG9-00	.O-RING	1	
21	93210-14515-00	.O-RING	1	
22	93210-24M79-00	.O-RING	1	

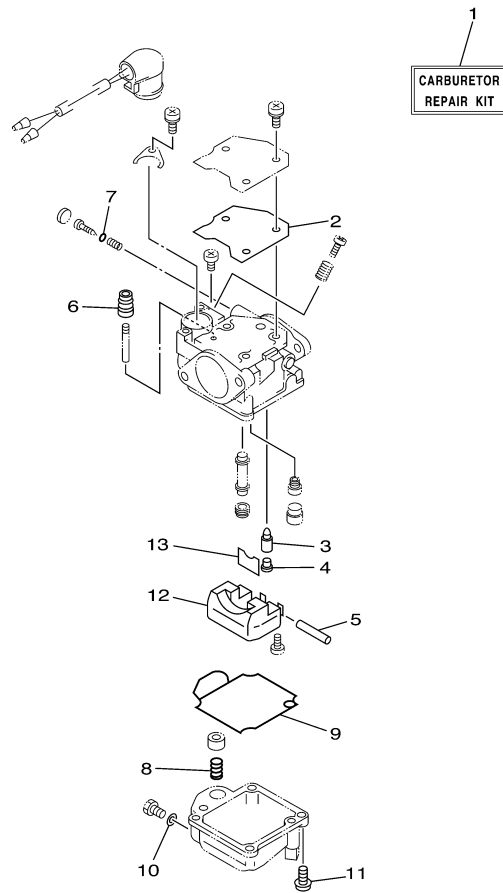
Part Notes

F25ESH 0405 / REPAIR KIT 1

PART NUMBER	NOTE TEXT
62Y-12414-00-00 	OEM: This part number is among the Top 100 Most Popular Marine Maintenance Parts as of March 2014.

©2014 Yamaha Motor Corporation, U.S.A. All rights reserved.

F25ESH 0405 / REPAIR KIT 2



65W3100-C360

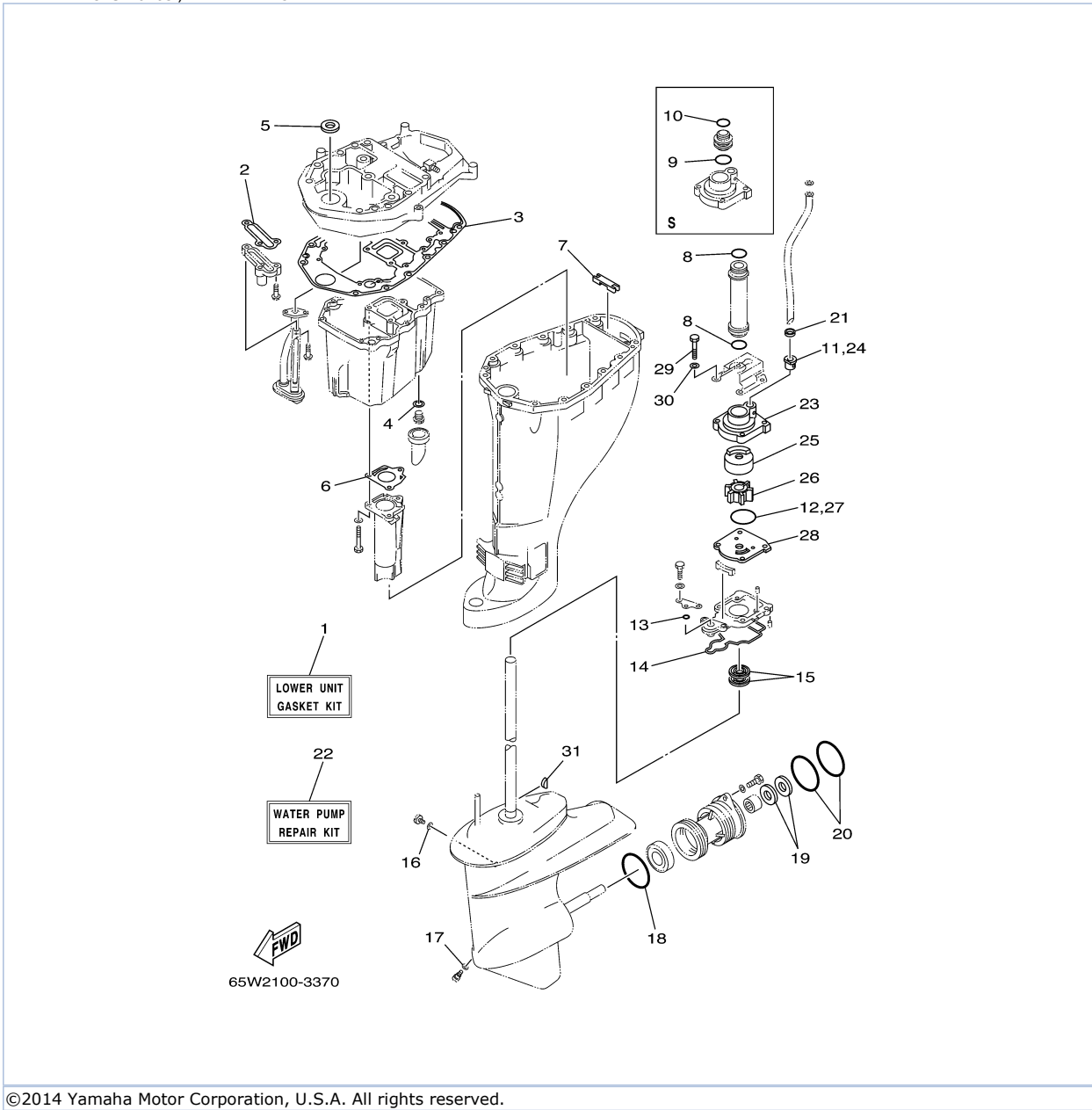
©2014 Yamaha Motor Corporation, U.S.A. All rights reserved.

Part List

F25ESH 0405 / REPAIR KIT 2

REF - NO	PART NUMBER	PART NAME	QUANTITY	REMARKS
1	65W-W0093-02-00	CARBURETOR REPAIR KIT	1	
2	65W-14126-10-00	.GASKET	1	
3	6G1-14546-01-00	.VALVE, NEEDLE	1	
4	676-14186-00-00	.PIN, FLOAT	1	
5	6H4-14548-00-00	.PIN, FLOAT ARM	1	
6	65W-14373-01-00	.COVER, PLUNGER CAP	1	
7	67C-14397-00-00	.O-RING	1	
8	65W-14335-00-00	.SPRING, PLUNGER	1	
9	65W-14384-00-00	.GASKET, FLOAT CHAMBER	1	
10	65W-14398-00-00	.GASKET	1	
11	97980-04114-00	.SCREW, WITH WASHER	4	
12	63V-14985-00-00	.FLOAT	1	
13	663-14159-00-00	.CLIP	1	

F25ESH 0405 / REPAIR KIT 3



©2014 Yamaha Motor Corporation, U.S.A. All rights reserved.





Part List

F25ESH 0405 / REPAIR KIT 3

REF - NO	PART NUMBER	PART NAME	QUANTITY	REMARKS
1	65W-W0001-23-00	LOWER UNIT GASKET KIT	1	
2	62Y-13475-00-00	.GASKET	1	
3	69W-15312-00-00	.GASKET, OIL PAN	1	
4	90430-14M09-00	.GASKET	1	
5	93110-16004-00	.OIL SEAL	1	
6	67C-41133-00-00	.GASKET, EXHAUST MANIFOLD 1	1	
7	65W-45128-00-00	.SEAL 2	1	
8	93210-26130-00	.O-RING	2	L (21.6")
9	93210-26130-00	.O-RING	1	S (16.6")
10	93210-22164-00	.O-RING	1	S (16.6")
11	6L2-44367-00-00	.DAMPER, WATER SEAL 3	1	
12	93210-45161-00	.O-RING	1	
13	93210-06ME6-00	.O-RING	1	
14	61N-45315-00-00	.PACKING, LOWER CASING	1	
15	93101-22067-00	.OIL SEAL	2	
16	90430-08020-00	.GASKET	1	
17	90430-08020-00	.GASKET	1	
18	93210-64ME7-00	.O-RING	1	
19	93101-20M07-00	.OIL SEAL	2	
20	93210-65M50-00	.O-RING	2	
21	90430-10002-00	.GASKET	1	
22	61N-W0078-11-00	WATER PUMP REPAIR KIT	1	
23	61N-44311-01-00	.HOUSING, WATER PUMP	1	
24	6L2-44367-00-00	.DAMPER, WATER SEAL 3	1	
25	61N-44322-01-00	.INSERT, CARTRIDGE	1	
26	6H4-44352-02-00	.IMPELLER	1	
27	93210-45161-00	.O-RING	1	
28	61N-44323-00-00	.OUTER PLATE, CARTRIDGE	1	
29	97095-06040-00	.BOLT	4	
30	92995-06600-00	.WASHER	4	
31	90280-03024-00	.KEY, WOODRUFF	1	

Part Notes

F25ESH 0405 / REPAIR KIT 3

PART NUMBER		NOTE TEXT
90430-14M09-00		OEM: This part number is among the Top 100 Most Popular Marine Maintenance Parts as of March 2014.
90430-08020-00		OEM: This part number is among the Top 100 Most Popular Marine Maintenance Parts as of March 2014.
90430-08020-00		OEM: This part number is among the Top 100 Most Popular Marine Maintenance Parts as of March 2014.
6H4-44352-02-00		OEM: This part number is among the Top 100 Most Popular Marine Maintenance Parts as of March 2014.

©2014 Yamaha Motor Corporation, U.S.A. All rights reserved.

F25ESH 0405 / MODELS IN THIS CATALOG

F25MSH 65W-1025569~1033208
F25MLH 65W-1025569~1033208
F25ESH 65W-1025569~1033208
F25ESR 65W-1025569~1033208
F25ELH 65W-1025569~1033208
F25ELR 65W-1025569~1033208
F25TLR 65W-1025569~1033208

(65W5)

**ALL THESE MODELS USE THIS SAME PARTS CATALOG.
BE SURE TO ORDER ONLY THOSE PARTS APPLICABLE
TO THE DESIRED MODEL.**

©2014 Yamaha Motor Corporation, U.S.A. All rights reserved.

©2014 Yamaha Motor Corporation, U.S.A. All rights reserved.