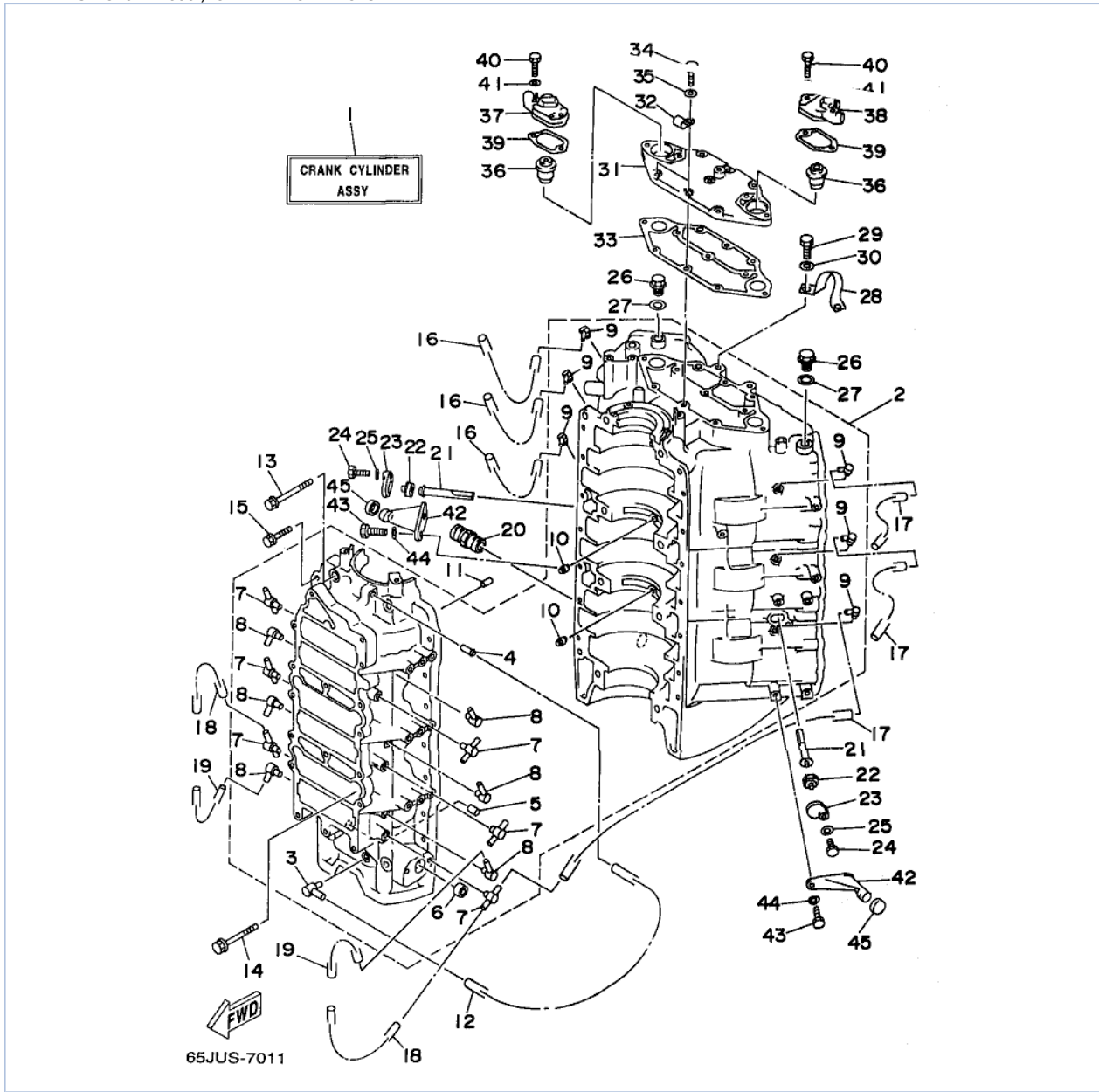


S225TURX 1999 / CYLINDER CRANKCASE 1



©2013 Yamaha Motor Corporation, U.S.A. All rights reserved.

Part List




S225TURX 1999 / CYLINDER CRANKCASE 1

REF - NO	PART NUMBER	PART NAME	QUANTITY	REMARKS
1	65L-W0090-10-4D	CRANK CYLINDER ASSEMBLY	1	UR S250/L250
1	65J-W0090-10-4D	CRANK CYLINDER ASSEMBLY	1	UR S225/L225
2	65J-15100-00-94	CRANKCASE ASSEMBLY	1	UR S225/ L225
2	65L-15100-00-94	CRANKCASE ASSEMBLY	1	UR S250/ L250
3	6E5-11372-00-00	.NIPPLE, HOSE	1	
4	624-14485-00-00	.PIPE, JOINT	1	
5	90384-06M07-00	.BUSH, BIMETAL FORMED	1	
6	90383-16M01-00	.BUSH, FORMED	1	
7	6F6-11372-00-00	.NIPPLE, HOSE	6	
8	650-11372-00-00	.NIPPLE, HOSE	6	
9	6E5-11372-00-00	.NIPPLE, HOSE	6	
10	663-11518-01-00	.LOCK, BEARING	2	
11	93608-12063-00	PIN, DOWEL	2	
12	90445-07M11-00	HOSE (L610)	1	
13	90105-10M62-00	BOLT, FLANGE	4	
14	90105-10M75-00	BOLT, FLANGE	4	
15	90119-06M13-00	BOLT, WITH WASHER	14	
16	90445-07M44-00	HOSE (L250)	3	
17	90445-07M40-00	HOSE (L225)	3	
18	90445-07MA6-00	HOSE (L90)	6	
19	90445-07MA6-00	HOSE (L90)	6	
20	6G5-12581-00-00	JOINT, HOSE 1	1	
21	61A-11325-00-00	ANODE	2	
22	6H3-11328-00-00	GROMMET, ANODE	2	
23	6H3-11327-00-94	COVER, ANODE	2	
24	97014-06016-00	BOLT	2	
25	92990-06600-00	WASHER, PLATE	2	
26	90340-14M00-00	.PLUG, STRAIGHT SCREW	2	
27	90430-14115-00	.GASKET	2	
28	6E5-11119-00-00	HANGER, ENGINE	1	
29	97013-08020-00	BOLT	2	
30	92990-08600-00	.WASHER, PLATE	2	
31	61A-11371-00-9M	COVER	1	
32	90465-08M07-00	CLAMP	2	
33	61A-11381-A0-00	.GASKET 1	1	
34	97013-06020-00	BOLT	7	
35	92990-06600-00	WASHER, PLATE	7	
36	6E5-12411-20-00	THERMOSTAT	2	
37	61A-12413-00-9M	COVER, THERMOSTAT	1	
38	61A-12413-10-9M	COVER, THERMOSTAT	1	
39	61A-12414-A0-00	.GASKET, COVER	2	
40	97013-06035-00	BOLT	4	
41	92903-06600-00	WASHER, PLATE	4	
42	6E5-42761-00-94	STOPPER	2	
43	97013-06020-00	BOLT	4	
44	92903-06600-00	WASHER, PLATE	4	
45	663-44533-00-00	DAMPER, UPPER MOUNT RUBBER	2	

Part Notes

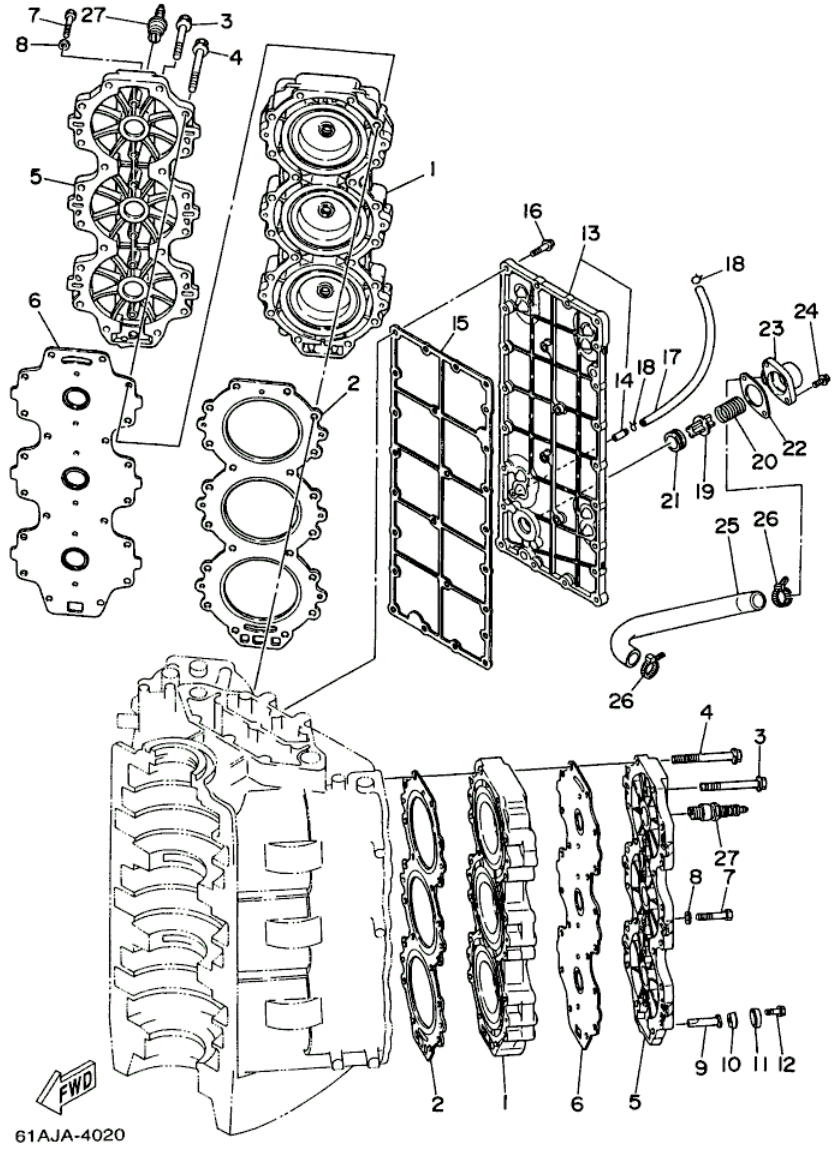
S225TURX 1999 / CYLINDER CRANKCASE 1

PART NUMBER	NOTE TEXT
92990-06600-00	OEM: This part number is among the Top 100 Most Popular Marine Maintenance Parts as of August 2013.

		
92990-06600-00		OEM: This part number is among the Top 100 Most Popular Marine Maintenance Parts as of August 2013.
61A-12414-A0-00		OEM: This part number is among the Top 100 Most Popular Marine Maintenance Parts as of August 2013.

©2013 Yamaha Motor Corporation, U.S.A. All rights reserved.

S225TURX 1999 / CYLINDER CRANKCASE 2



©2013 Yamaha Motor Corporation, U.S.A. All rights reserved.


Part List

S225TURX 1999 / CYLINDER CRANKCASE 2

REF - NO	PART NUMBER	PART NAME	QUANTITY	REMARKS
1	62J-11111-01-94	HEAD, CYLINDER 1	2	
2	61A-11181-A1-00	GASKET, CYLINDER HEAD 1	2	
3	90119-08M61-00	BOLT, WITH WASHER	3	
4	90119-08M35-00	BOLT, WITH WASHER	37	
5	61A-11191-00-9M	COVER, CYLINDER HEAD 1	2	
6	61A-11193-A1-00	.GASKET, HEAD COVER 1	2	
7	97013-06035-00	BOLT	12	
8	92903-06600-00	WASHER, PLATE	12	
9	6J8-11325-00-00	ANODE	2	
10	6H3-11328-00-00	GROMMET, ANODE	2	
11	6H3-11327-00-94	COVER, ANODE	2	
12	97513-06516-00	BOLT, WITH WASHER	2	
13	61A-41113-00-9M	OUTER COVER, EXHAUST	1	
14	650-24378-00-00	.PIPE, JOINT 4	1	
15	61A-41112-A0-00	.GASKET, EXHAUST INNER COVER	1	
16	97513-06525-00	BOLT, WITH WASHER	25	
17	90445-09M25-00	HOSE (L600)	1	
18	90467-08004-00	CLIP	2	
19	6G5-12416-00-00	VALVE, PRESSURE CONTROL	1	
20	90501-16M11-00	SPRING, COMPRESSION	1	
21	90480-20M05-00	GROMMET	1	
22	6G5-11382-A1-00	.GASKET 2	1	
23	6G5-11372-00-5B	NIPPLE, HOSE (6G5-11372- 00-9M)	1	
24	97513-06520-00	BOLT, WITH WASHER	2	
25	61A-12576-00-00	HOSE 1	1	
26	90465-13M18-00	CLAMP	2	
27	NGK-BR9HS-10-00	PLUG, SPARK (NGK BR9HS- 10)	6	

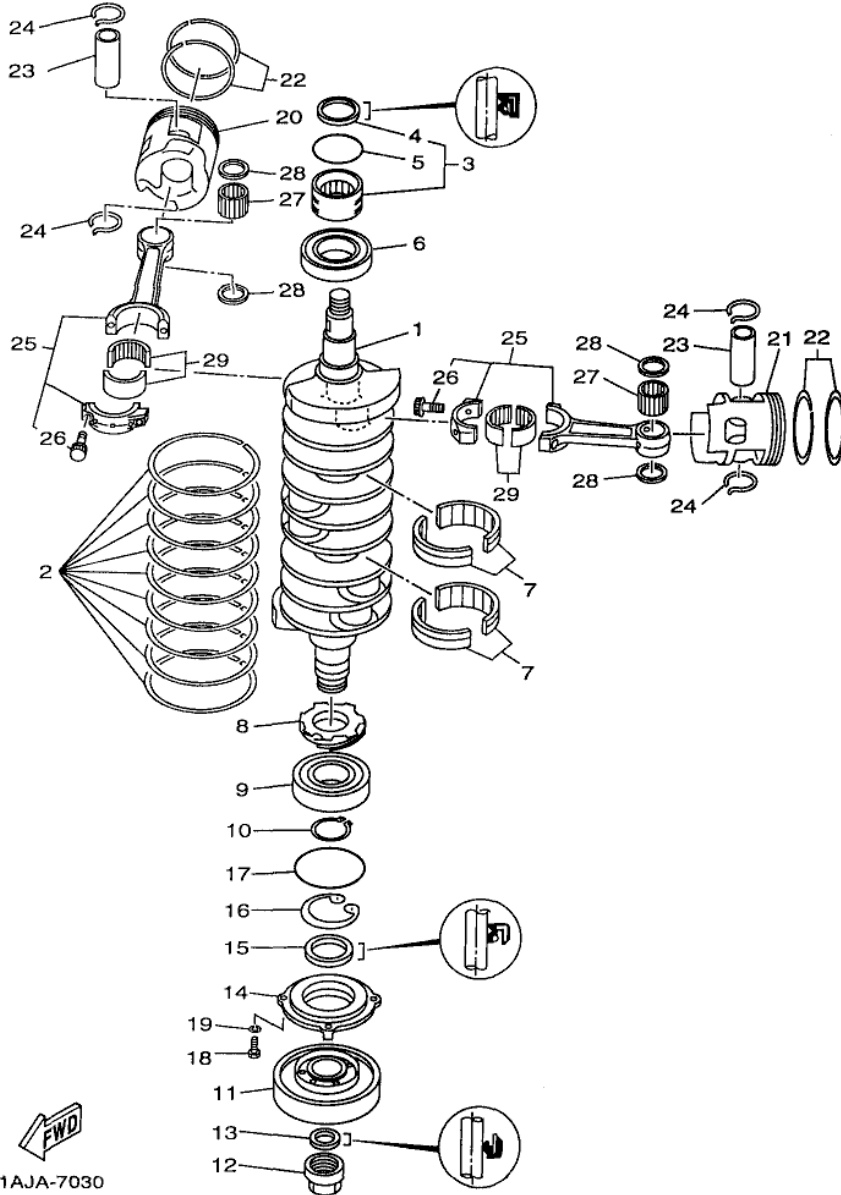
Part Notes

S225TURX 1999 / CYLINDER CRANKCASE 2

PART NUMBER	NOTE TEXT
90480-20M05-00 	OEM: This part number is among the Top 100 Most Popular Marine Maintenance Parts as of August 2013.

©2013 Yamaha Motor Corporation, U.S.A. All rights reserved.

S225TURX 1999 / CRANKSHAFT PISTON



©2013 Yamaha Motor Corporation, U.S.A. All rights reserved.


Part List

S225TURX 1999 / CRANKSHAFT PISTON

REF - NO	PART NUMBER	PART NAME	QUANTITY	REMARKS
1	61A-11411-00-00	CRANKSHAFT	1	
2	61A-11447-00-00	SEAL, CRANK	9	
3	93311-940V0-00	BEARING	1	
4	93102-40M38-00	.OIL SEAL	1	
5	93210-54M54-00	O-RING	1	
6	93306-209U1-00	BEARING	1	
7	93310-959U0-00	BEARING	2	
8	61A-11536-00-00	GEAR, DRIVE	1	
9	93306-308U0-00	BEARING	1	
10	93410-40M03-00	CIRCLIP	1	
11	61A-11586-01-00	PULLEY, CRANKSHAFT BALANCE	1	
12	61A-11555-01-00	NUT, CRANKSHAFT 1	1	
13	93104-22M07-00	.OIL SEAL	1	
14	61A-15359-00-94	HOUSING, OIL SEAL	1	
15	93102-40M36-00	.OIL SEAL	1	
16	93420-61M07-00	CIRCLIP	1	
17	93210-81MA6-00	.O-RING	1	
18	97095-06020-00	BOLT	4	
19	92995-06100-00	WASHER, SPRING	4	
20	62J-11636-02-00	PISTON (0.50MM O/S)	3	AP
20	62J-11631-02-86	PISTON (STD)	3	
20	62J-11635-02-00	PISTON (0.25MM O/S)	3	AP
21	62J-11642-02-86	PISTON 2 (STD)	3	
21	62J-11646-02-00	PISTON 2 (0.50MM O/S)	3	AP
21	62J-11645-02-00	PISTON 2 (0.25MM O/S)	3	AP
22	64D-11605-01-00	PISTON RING SET (0.50MM O/S)	6	AP
22	64D-11604-01-00	PISTON RING SET (0.25MM O/S)	6	AP
22	64D-11603-01-00	PISTON RING SET (STD)	6	
23	61A-11633-02-00	PIN, PISTON	6	
24	61A-11634-00-00	CLIP, PISTON PIN	12	
25	61A-11650-00-00	CONNECTING ROD ASSY	6	
26	90109-09M62-00	.BOLT	2	
27	93310-326V4-00	BEARING	6	
28	90201-26M03-00	WASHER, PLATE	12	
29	93310-840V8-00	BEARING	6	

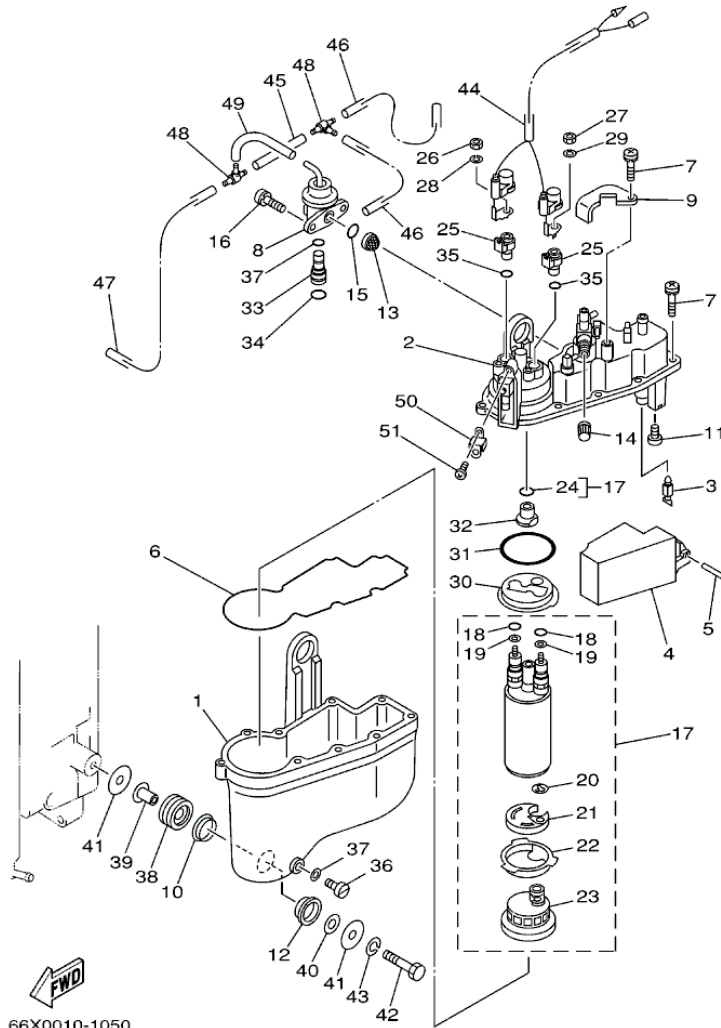
Part Notes

S225TURX 1999 / CRANKSHAFT PISTON

PART NUMBER	NOTE TEXT
92995-06100-00 	OEM: This part number is among the Top 100 Most Popular Marine Maintenance Parts as of August 2013.

©2013 Yamaha Motor Corporation, U.S.A. All rights reserved.

S225TURX 1999 / FUEL INJECTION PUMP




66X0010-1050
Rev. 4-24-2012


Part List

S225TURX 1999 / FUEL INJECTION PUMP

REF - NO	PART NUMBER	PART NAME	QUANTITY	REMARKS
1	66K-14980-00-00	BODY, FLOAT CHAMBER	1	
2	66K-14182-00-00	COVER, FLOAT CHAMBER	1	
3	65L-14546-00-00	VALVE, NEEDLE	1	
4	66K-14985-00-00	FLOAT	1	
5	66K-14548-00-00	PIN, FLOAT ARM	1	
6	66K-14984-00-00	GASKET, FLOAT CHAMBER	1	
7	65L-14125-00-00	SCREW	10	
8	66K-13906-00-00	REGULATOR, PRESSURE	1	
9	66K-14255-00-00	PLATE	1	
10	66K-14239-00-00	SEAL	3	
11	66K-14325-00-00	SCREW, PAN HEAD	1	
12	66K-14163-00-00	SPACER	3	
13	65L-13905-00-00	FILTER COMP	1	
14	65L-14966-00-00	CAP	1	
15	65L-24486-00-00	O-RING	1	
16	66K-14245-00-00	SCREW, GUIDE	2	
17	65L-13907-00-00	FUEL PUMP COMP.	1	
18	65L-14227-00-00	.O-RING	2	
19	65L-14194-00-00	.RING	2	
20	65L-14159-00-00	.CLIP	1	
21	66K-13781-00-00	.DAMPER, PUMP	1	
22	66K-13844-00-00	.PLATE 2	1	
23	66K-13915-00-00	.FILTER	1	
24	65L-1416A-00-00	.O-RING	1	
25	66K-14271-00-00	INSULATOR	2	
26	65L-8182A-00-00	NUT	1	
27	65L-8182K-00-00	NUT	1	
28	65L-8182E-00-00	WASHER	1	
29	65L-8182F-00-00	WASHER	1	
30	65L-13843-00-00	PLATE 1	1	
31	65L-14147-00-00	O-RING	1	
32	65L-14274-00-00	CONNECTOR	1	
33	66K-24376-00-00	PIPE, JOINT 1	1	
34	66K-24489-00-00	O-RING	1	
35	65L-14397-00-00	O-RING	3	
36	65L-14992-00-00	SCREW, DRAIN	1	
37	65L-14997-00-00	SEAL	2	
38	65L-24375-00-00	GROMMET	3	
39	65L-24397-00-00	COLLAR	3	
40	65L-24576-00-00	WASHER	3	
41	66K-24579-00-00	WASHER 2	6	
42	65L-24592-00-00	BOLT	3	
43	65L-24169-00-00	WASHER, LOCK	3	
44	67H-82507-00-00	WIRE, LEAD	1	
45	66K-13542-00-00	HOSE, VACUUM SENSING 1	1	
46	66K-13544-00-00	HOSE, VACUUM SENSING 2	2	
47	66K-13532-00-00	HOSE, VACUUM SENSING 3	1	
48	65L-24461-00-00	PIPE, JOINT	2	
49	66K-13533-00-00	HOSE, VACUUM SENSING 4	1	
50	66K-13898-00-00	HOLDER	1	
51	65L-14565-00-00	SCREW	1	

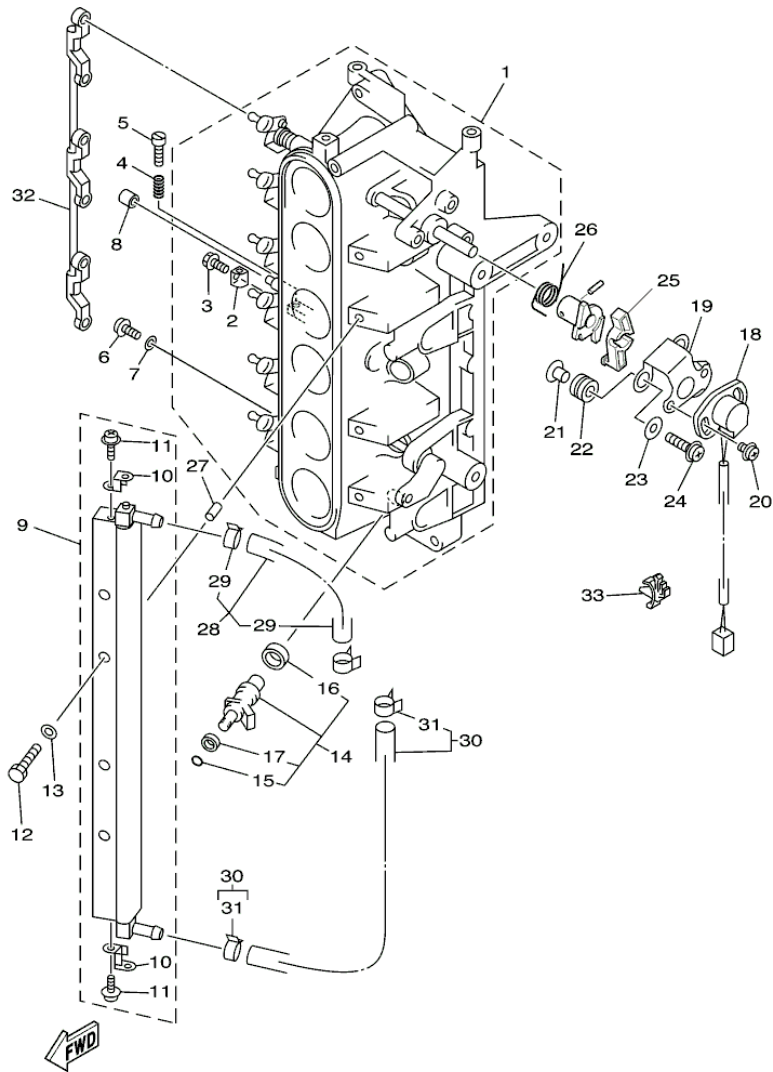
Part Notes

S225TURX 1999 / FUEL INJECTION PUMP

PART NUMBER		NOTE TEXT
66K-14984-00-00		OEM: This part number is among the Top 100 Most Popular Marine Maintenance Parts as of August 2013.

©2013 Yamaha Motor Corporation, U.S.A. All rights reserved.

S225TURX 1999 / FUEL INJECTION NOZZLE



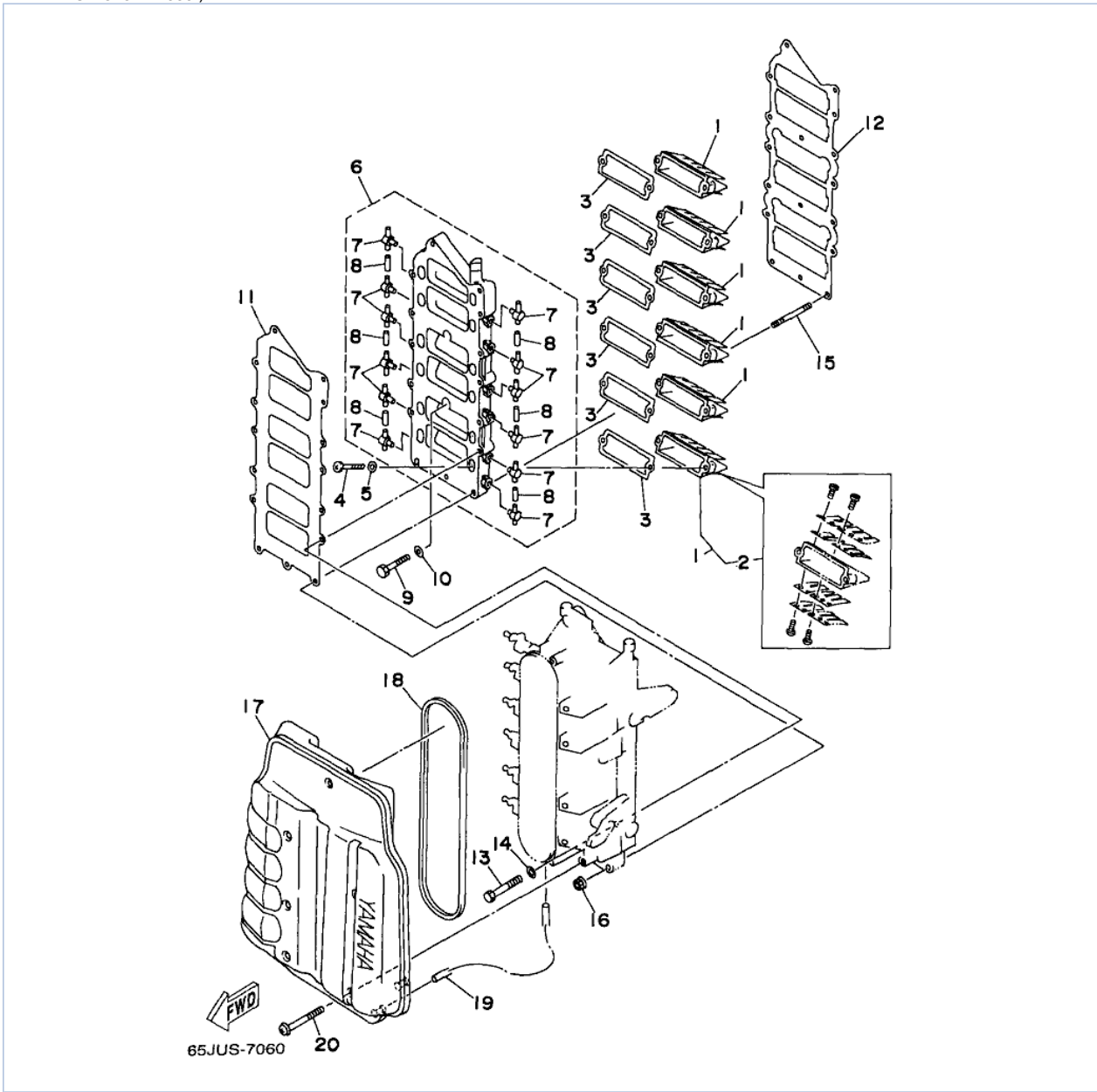
65JUS-7050
Rev. 4-24-2012

Part List

S225TURX 1999 / FUEL INJECTION NOZZLE

REF - NO	PART NUMBER	PART NAME	QUANTITY	REMARKS
1	65L-13751-00-00	BODY, THROTTLE 1	1	
2	65L-14527-00-00	.PLATE	1	
3	65L-14565-00-00	.SCREW	1	
4	65L-14334-00-00	.SPRING, AIR ADJUSTING	1	
5	65L-14523-00-00	.SCREW, STOP	1	
6	6K5-14592-00-00	.SCREW	6	
7	90201-05552-00	.WASHER, PLATE	6	
8	6H2-14578-00-00	.COLLAR	1	
9	65L-13938-00-00	PIPE	1	
10	65L-13898-00-00	.HOLDER	2	
11	65L-14565-00-00	.SCREW	2	
12	65L-13573-00-00	BOLT 1	4	
13	65L-13995-00-00	WASHER	4	
14	65L-13761-00-00	INJECTOR ASSY	6	
15	65L-13769-00-00	.O-RING	1	
16	65L-13764-00-00	.GASKET	1	
17	65L-13766-00-00	.RUBBER, INJECTOR	1	
18	61A-85885-00-00	THROTTLE SENSOR ASSY	1	
19	6K7-85886-00-00	BRACKET	1	
20	97985-05212-00	SCREW, WITH WASHER	2	
21	90387-05M00-00	COLLAR	3	
22	90480-10M23-00	GROMMET	3	
23	65L-14596-00-00	WASHER	3	
24	97985-05330-00	SCREW, WITH WASHER	3	
25	65L-14573-00-00	LEVER	1	
26	65L-14579-00-00	SPRING	1	
27	65L-13996-00-00	INSERT	1	
28	65L-13971-00-00	PIPE, FUEL 1	1	
29	65L-24387-00-00	.CLIP	2	
30	65L-13972-00-00	PIPE, FUEL 2	1	
31	65L-24387-00-00	.CLIP	2	
32	65L-41217-00-00	ROD, ACCEL. LEVER	1	

S225TURX 1999 / INTAKE



©2013 Yamaha Motor Corporation, U.S.A. All rights reserved.

Part List

S225TURX 1999 / INTAKE

REF - NO	PART NUMBER	PART NAME	QUANTITY	REMARKS
1	65L-13610-00-00	REED VALVE ASSEMBLY	6	UR S250/ L250
1	65J-13610-00-00	REED VALVE ASSEMBLY	6	UR S225/ L225
2	65J-W0004-00-00	.REED SET	1	UR S225/ L225
2	65L-W0004-00-00	.REED SET	1	UR S250/ /250
3	61A-13621-A0-00	.GASKET, VALVE SEAT	6	
4	98580-05016-00	SCREW, PAN HEAD	12	
5	92990-05600-00	WASHER, PLATE	12	
6	65L-13624-00-00	PLATE, REED VALVE	1	
7	6F6-11372-00-00	.NIPPLE, HOSE	12	
8	90445-07M03-00	.HOSE (L34)	6	
9	97013-06030-00	BOLT	2	
10	92903-06600-00	WASHER, PLATE	2	
11	65L-13646-00-00	.GASKET, MANIFOLD 2	1	
12	65L-13645-00-00	.GASKET, MANIFOLD 1	1	
13	97013-06060-00	BOLT	12	
14	92903-06600-00	WASHER, PLATE	12	
15	95670-06655-00	BOLT, STUD	2	
16	90179-06M24-00	NUT	2	
17	65L-14440-00-00	SILENCER ASSY, INTAKE	1	
18	65L-14483-00-00	.GASKET	1	
19	90445-07M44-00	HOSE (L250)	1	
20	90159-06M16-00	SCREW, WITH WASHER	6	


Part List

S225TURX 1999 / OIL PUMP

REF - NO	PART NUMBER	PART NAME	QUANTITY	REMARKS
1	65L-13200-00-00	OIL INJECTION PUMP ASSY	1	
2	93210-19M82-00	.O-RING	1	
3	6R3-13471-00-00	.PLUG, DRAIN	1	
4	6L2-13475-00-00	.GASKET	1	
5	90109-06M40-00	BOLT	2	
6	61A-13416-00-00	PIPE, OIL 1	1	
7	90465-11M10-00	CLAMP	2	
8	65L-13183-00-00	VALVE, CHECK	1	
9	65L-24378-00-00	PIPE, JOINT 4	1	
10	90445-09220-00	HOSE (L30)	1	
11	90446-09M69-00	HOSE	1	
12	90465-11M10-00	CLAMP	4	
13	90445-07M02-00	HOSE (L167)	3	
14	90445-07M03-00	.HOSE (L34)	3	
15	90468-07M02-00	CLIP	12	
16	61A-11537-00-00	GEAR, DRIVEN	1	
17	90201-09M01-00	WASHER, PLATE	1	
18	61A-13117-00-00	COLLAR, DISTANCE	1	
19	93210-18MA9-00	.O-RING	1	
20	6R5-41237-00-00	JOINT, LINK	1	
21	65L-41241-00-00	ROD, LINK	1	
22	95380-05600-00	NUT	1	
23	6H1-41237-00-00	JOINT, LINK	1	
24	91490-12012-00	PIN. COTTER	1	
25	90202-05088-00	WASHER, PLATE	1	

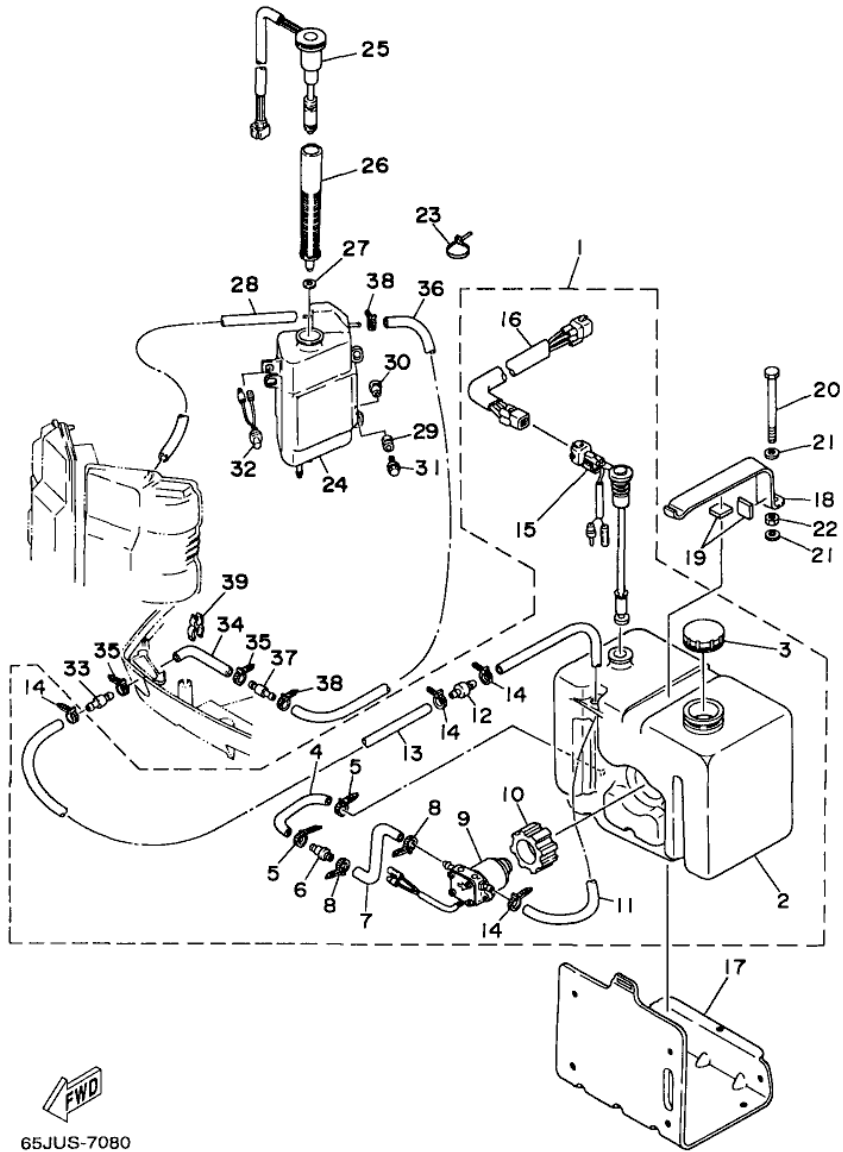
Part Notes

S225TURX 1999 / OIL PUMP

PART NUMBER	NOTE TEXT
6H1-41237-00-00 	OEM: This part number is among the Top 100 Most Popular Marine Maintenance Parts as of August 2013.

©2013 Yamaha Motor Corporation, U.S.A. All rights reserved.

S225TURX 1999 / OIL TANK



©2013 Yamaha Motor Corporation, U.S.A. All rights reserved.



Part List

S225TURX 1999 / OIL TANK

REF - NO	PART NUMBER	PART NAME	QUANTITY	REMARKS
1	61A-21708-03-00	OIL TANK SUB-ASSY	1	
2	6E5-21733-02-00	.SUB TANK, OIL (105L)	1	
3	6E5-21770-03-00	.OIL TANK CAP ASSY	1	
4	6E5-24322-00-00	.PIPE 11	1	
5	90465-11M10-00	.CLAMP	2	
6	646-24251-02-00	.STRAINER 1	1	
7	6E5-24319-01-00	.PIPE, OIL	1	
8	90465-11M10-00	.CLAMP	2	
9	6E5-81900-01-00	.OIL FEED PUMP ASSY	1	
10	6E5-81922-00-00	.GROMMET	1	
11	6E5-24321-01-00	.PIPE 10	1	
12	6E5-24379-00-00	.PIPE, JOINT 4	1	
13	90445-11M26-00	.HOSE (L6500)	1	
14	90465-11M10-00	.CLAMP	4	
15	6E5-85720-04-00	.OIL LEVEL GAUGE ASSY	1	
16	6R3-85721-80-00	.WIRE, LEAD (L=80M)	1	
17	6E5-21734-01-33	HOLDER, OIL SUB TANK	1	
18	6E5-21798-01-33	BRACKET, DAMPER	1	
19	6E5-21746-00-00	DAMPER	2	
20	97080-06100-00	BOLT	1	
21	92990-06600-00	WASHER, PLATE	2	
22	95380-06600-00	NUT, HEXAGON	1	
23	90465-13M11-00	CLAMP	2	
24	61A-21750-00-00	OIL TANK ASSY	1	
25	61A-85730-00-00	OIL LEVEL GAUGE ASSY	1	
26	61A-13411-00-00	STRAINER, OIL	1	
27	6E5-13414-00-00	GASKET, STRAINER COVER	1	
28	90445-05M07-00	HOSE (L700)	1	
29	6A0-82317-00-00	DAMPER, IGNITION COIL	3	
30	624-42542-00-00	PIPE	3	
31	90119-06M65-00	BOLT, WITH WASHER	3	
32	6R3-8259E-00-00	SWITCH ASSY	1	
33	6E5-24379-00-00	PIPE, JOINT 4	1	
34	90445-12M04-00	HOSE (L1900)	1	
35	90465-11M10-00	CLAMP	2	
36	6E5-24323-00-00	PIPE 12	1	
37	6E5-24379-00-00	PIPE, JOINT 4	1	
38	90465-11M10-00	CLAMP	2	
39	90464-13M34-00	CLAMP	1	

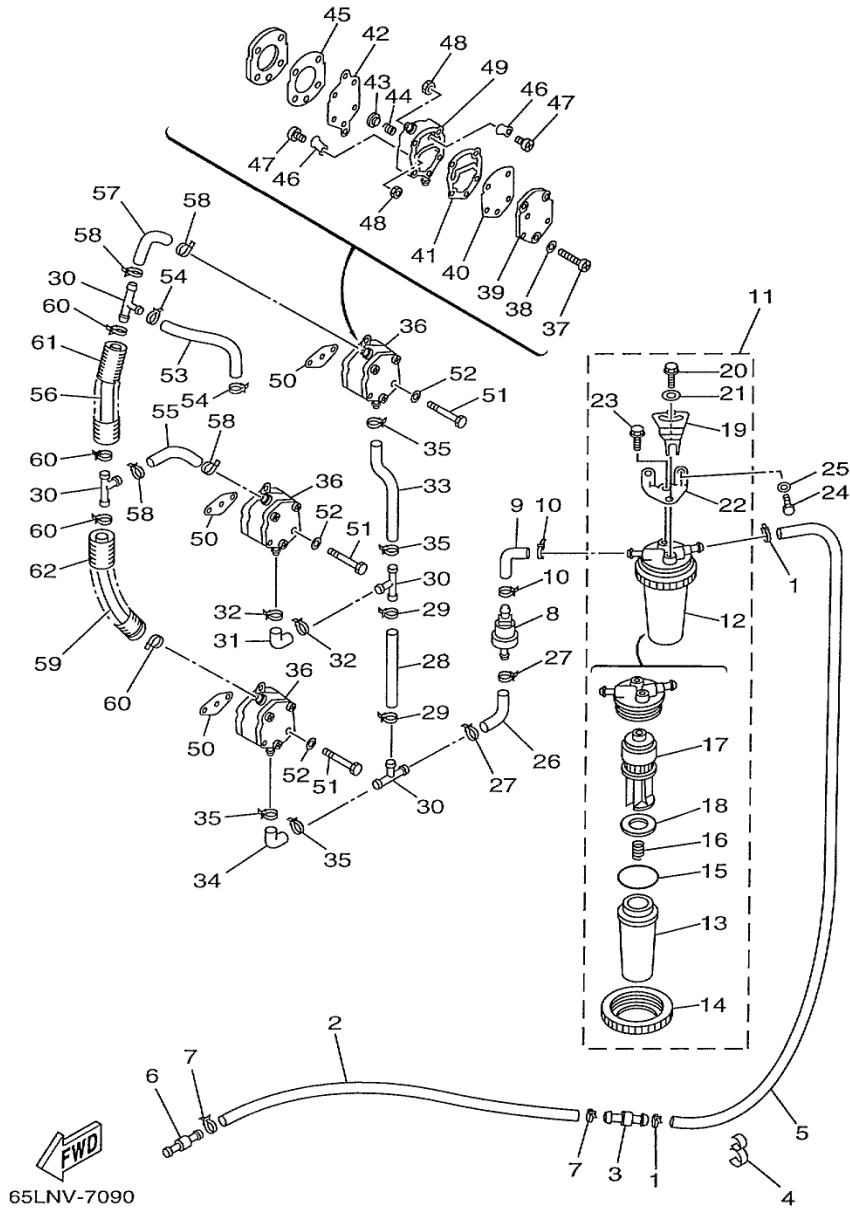
Part Notes

S225TURX 1999 / OIL TANK

PART NUMBER	NOTE TEXT
646-24251-02-00 	OEM: This part number is among the Top 100 Most Popular Marine Maintenance Parts as of August 2013.
92990-06600-00 	OEM: This part number is among the Top 100 Most Popular Marine Maintenance Parts as of August 2013.

©2013 Yamaha Motor Corporation, U.S.A. All rights reserved.

S225TURX 1999 / FUEL



65LNV-7090

©2013 Yamaha Motor Corporation, U.S.A. All rights reserved.

Part List





S225TURX 1999 / FUEL

REF - NO	PART NUMBER	PART NAME	QUANTITY	REMARKS
1	90465-11M10-00	CLAMP	2	
2	90445-13M17-00	HOSE (L2700)	1	
3	6R3-24377-00-00	PIPE, JOINT 2	1	
4	90464-13M34-00	CLAMP	2	
5	61A-24313-00-00	PIPE 3	1	
6	6R3-24377-00-00	PIPE, JOINT 2	1	
7	90465-11M10-00	CLAMP	2	
8	6R5-24408-00-00	FUEL FEED ASSY	1	
9	61A-24311-00-00	PIPE, FUEL 1	1	
10	90465-11M10-00	CLAMP	2	
11	65L-24409-00-00	WATER SEPARATOR ASSEMBLY	1	
12	65L-24560-00-00	.FILTER ASSY	1	
13	61A-24521-00-00	..CUP, FILTER	1	
14	61A-24531-00-00	..NUT	1	
15	61A-24564-00-00	..O-RING	1	
16	65L-24577-00-00	..SPRING	1	
17	65L-24563-00-00	..ELEMENT, FILTER	1	
18	61A-24469-00-00	..FLOAT, WATER LEVEL	1	
19	65L-24558-00-00	.HOLDER, FILTER	1	
20	97595-06416-00	.BOLT, WITH WASHER	1	
21	90201-06068-00	.WASHER, PLATE	1	
22	61A-24566-00-00	.BRACKET, FILTER	1	
23	97595-06514-00	.BOLT, WITH WASHER	1	
24	97095-06016-00	BOLT	2	
25	92995-06600-00	WASHER	2	
26	61A-24311-00-00	PIPE, FUEL 1	1	
27	90465-11M10-00	CLAMP	2	
28	6G5-24317-01-00	PIPE 7	1	
29	90465-11M10-00	CLAMP	2	
30	6E5-24378-00-00	PIPE, JOINT 3	4	
31	6E5-24315-00-00	PIPE 5	1	
32	90465-11M10-00	CLAMP	2	
33	6G5-24315-00-00	PIPE 5	1	
34	6E5-24315-00-00	PIPE 5	1	
35	90465-11M10-00	CLAMP	4	
36	6E5-24410-03-00	FUEL PUMP ASSY	3	
37	98503-05035-00	.SCREW, PAN HEAD	3	
38	92903-05600-00	.WASHER, PLATE	3	
39	6E5-24413-00-00	.BODY 2	1	
40	6E5-24471-00-00	.DIAPHRAGM	1	
41	6E5-24435-00-00	.GASKET, BODY 2	1	
42	6E5-24411-00-00	.DIAPHRAGM	1	
43	648-24424-00-00	.SEAT, SPRING	1	
44	6E5-24423-00-00	.SPRING, DIAPHRAGM	1	
45	6E5-24434-02-00	.GASKET, BODY	1	
46	6A0-24421-01-00	.VALVE, CHECK	4	
47	6A0-14325-00-00	.SCREW, PAN HEAD	4	
48	95380-03600-00	.NUT	4	
49	6E5-24412-02-00	.BODY 1	1	
50	650-24431-A0-00	GASKET, FUEL PUMP 1	3	
51	97095-06050-00	BOLT	6	
52	92995-06600-00	WASHER	6	
53	6G5-24317-01-00	PIPE 7	1	

54	90465-11M10-00	CLAMP	2	
55	6G5-24316-10-00	PIPE 6	1	
56	90445-13M14-00	HOSE (L70)	1	
57	61A-24311-00-00	PIPE, FUEL 1	1	
58	90465-11M10-00	CLAMP	4	
59	6E5-24313-00-00	PIPE 3	1	
60	90465-11M10-00	CLAMP	4	
61	6E9-83557-70-00	TUBE	1	
62	65L-83557-00-00	TUBE	1	

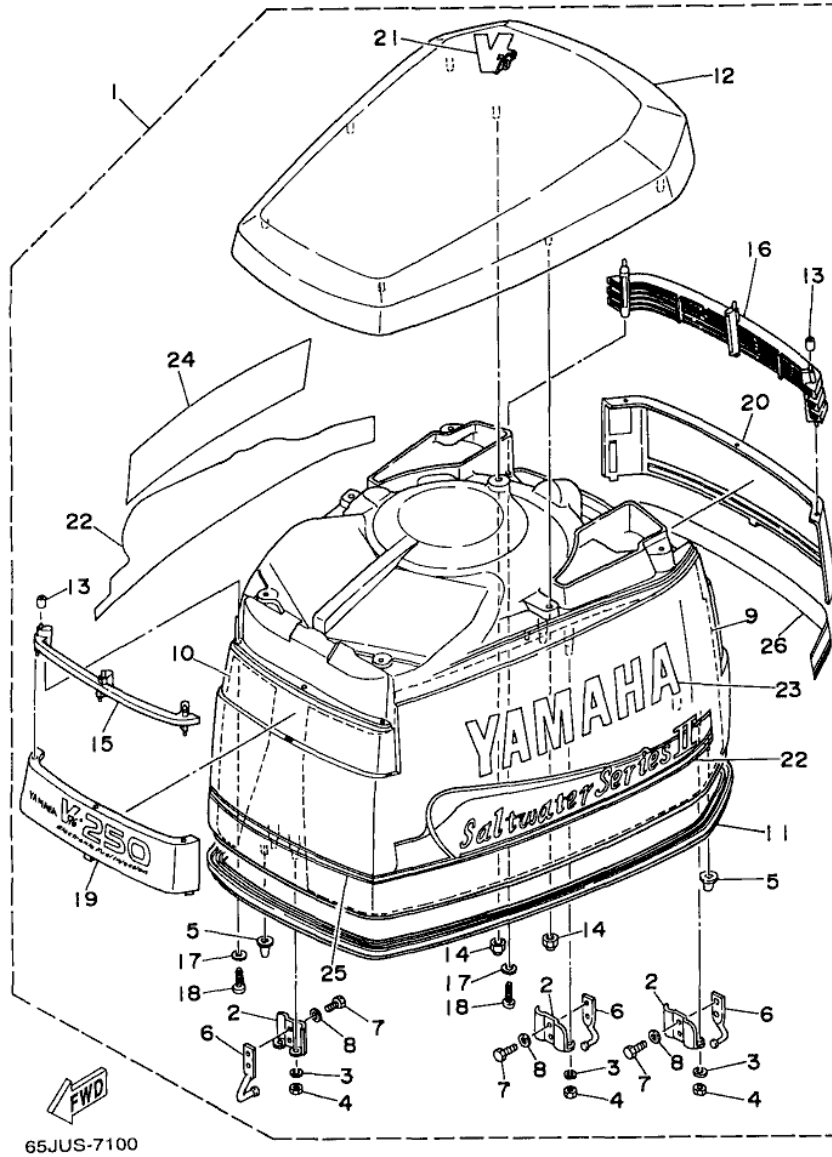
Part Notes

S225TURX 1999 / FUEL

PART NUMBER		NOTE TEXT
61A-24564-00-00		OEM: This part number is among the Top 100 Most Popular Marine Maintenance Parts as of August 2013.
65L-24563-00-00		OEM: This part number is among the Top 100 Most Popular Marine Maintenance Parts as of August 2013.
6E5-24410-03-00		OEM: This part number is among the Top 100 Most Popular Marine Maintenance Parts as of August 2013.
650-24431-A0-00		OEM: This part number is among the Top 100 Most Popular Marine Maintenance Parts as of August 2013.

©2013 Yamaha Motor Corporation, U.S.A. All rights reserved.

S225TURX 1999 / TOP COWLING



©2013 Yamaha Motor Corporation, U.S.A. All rights reserved.


Part List

S225TURX 1999 / TOP COWLING

REF - NO	PART NUMBER	PART NAME	QUANTITY	REMARKS
1	65L-42610-V0-4D	TOP COWLING ASSEMBLY	1	UR S250/L250
1	65J-42610-V0-4D	TOP COWLING ASSEMBLY	1	UR S225/L225
2	6R3-42647-00-00	.HOLDER, CLAMP BAND	3	
3	92990-06100-00	.WASHER, SPRING	6	
4	95380-06600-00	.NUT, HEXAGON	6	
5	6R3-42662-00-00	.DAMPER	3	
6	6R3-42814-00-00	.HOOK, CLAMP	3	
7	97095-06012-00	.BOLT	6	
8	92990-06600-00	.WASHER, PLATE	6	
9	61A-42619-02-00	.DAMPER, FORM	1	
10	61A-42627-02-00	.DAMPER, FORM	1	
11	61A-42615-01-00	.SEAL	1	
12	61A-42613-01-4D	.MOLDING, AIR DUCT	1	
13	90385-04M05-00	.BUSH	6	
14	90179-06M24-00	.NUT	7	
15	61A-42626-00-00	.LOUVER, 1	1	
16	61A-42636-00-00	.LOUVER 2	1	
17	92990-04600-00	.WASHER, PLATE	6	
18	97780-40520-00	.SCREW, TAPPING	6	
19	65L-42686-V0-00	.EMBLEM, FRONT	1	UR S250/ L250
19	65J-42686-V0-00	.EMBLEM, FRONT	1	UR S225/ L225
20	65L-42687-V0-00	.EMBLEM, REAR	1	UR S250/ L250
20	65J-42687-V0-00	.EMBLEM, REAR	1	UR S225/ L225
21	65J-42683-S0-00	.MARK, COWLING	1	UR S225/ L225
21	65L-42683-S0-00	.MARK, COWLING	1	UR S250/ L250
22	61A-W0070-S1-00	.GRAPHIC SET	1	
23	61A-42681-S1-00	.MARK, COWLING	1	UR S250/ L250
23	62J-42681-S1-00	.MARK, COWLING	1	UR S225/ L225
24	62J-42682-S1-00	.MARK, COWLING	1	UR S225/L225
24	61A-42682-S1-00	.MARK, COWLING	1	UR S250/ L250
25	61A-42677-S1-00	.GRAPHIC, FRONT	1	
26	61A-4267A-S1-00	.GRAPHIC, REAR 2	1	

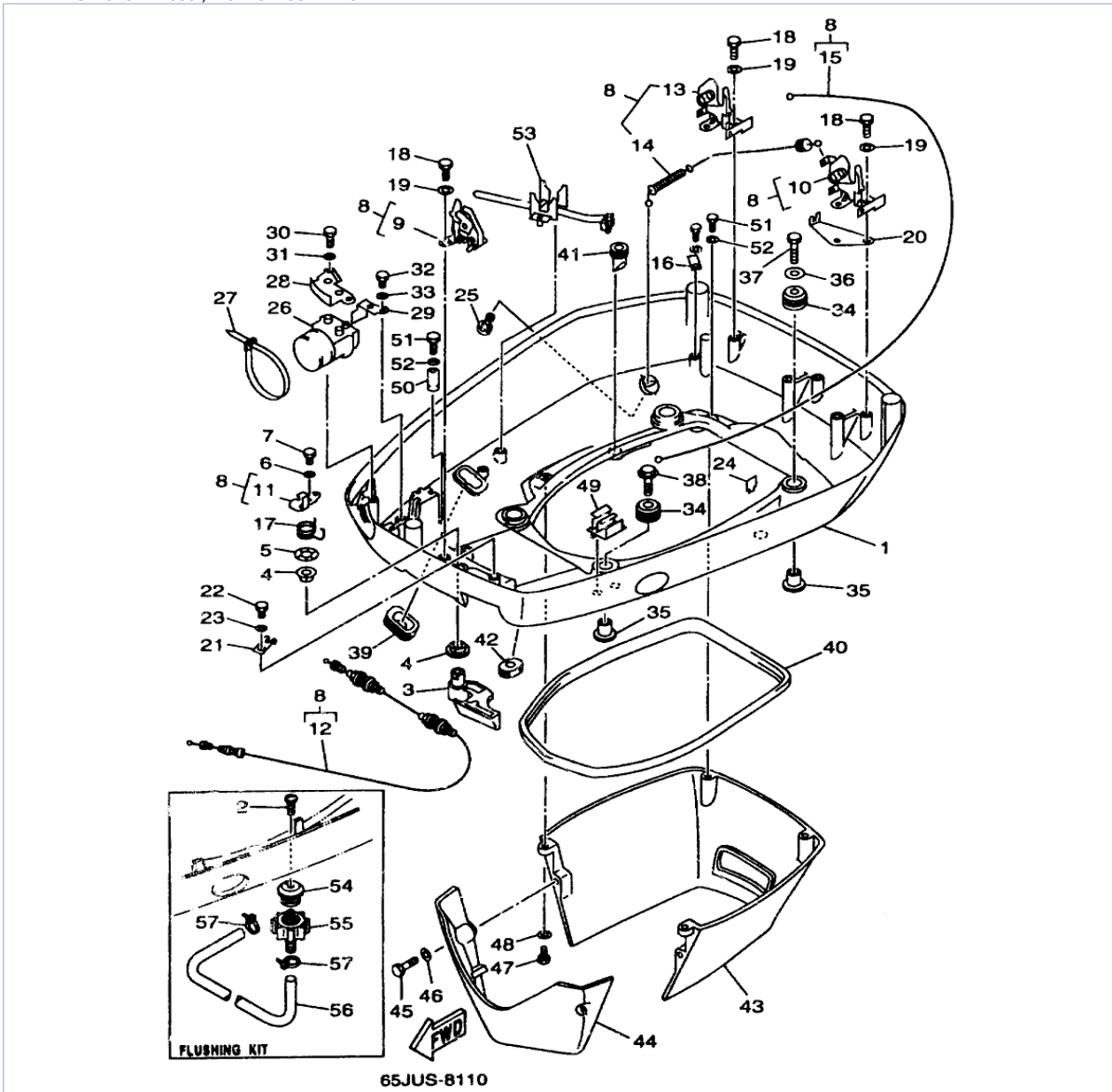
Part Notes

S225TURX 1999 / TOP COWLING

PART NUMBER	NOTE TEXT
92990-06600-00 	OEM: This part number is among the Top 100 Most Popular Marine Maintenance Parts as of August 2013.

©2013 Yamaha Motor Corporation, U.S.A. All rights reserved.

S225TURX 1999 / BOTTOM COWLING



©2013 Yamaha Motor Corporation, U.S.A. All rights reserved.

Part List


S225TURX 1999 / BOTTOM COWLING

REF - NO	PART NUMBER	PART NAME	QUANTITY	REMARKS
1	61A-42711-05-8D	COWLING, BOTTOM	1	
2	90169-05M00-00	SCREW, TRUSS HEAD TAPPING	1	
3	61A-42815-01-8D	LEVER, CLAMP	1	
4	90386-13M88-00	BUSH	2	
5	90206-13M10-00	WASHER, WAVE	1	
6	90201-06M30-00	WASHER, PLATE	1	
7	90109-06M50-00	BOLT	1	
8	61A-42801-01-00	COWLING CLAMP COMP.	1	
9	6R3-42824-00-00	.BASE, CLAMP LEVER	1	
10	6R3-42811-01-00	.STAY	1	
11	6R3-42816-00-00	.LEVER, CLAMP	1	
12	6R3-42850-10-00	.WIRE COMPLETE	1	
13	6R3-42811-10-00	.STAY	1	
14	61A-42850-01-00	.WIRE COMPLETE	1	
15	61A-42850-20-00	.WIRE COMPLETE	1	
16	682-44117-00-00	BRACKET	1	
17	6R3-42813-00-00	SPRING, CLAMP LEVER	1	
18	97095-06016-00	BOLT	6	
19	92995-06600-00	WASHER	6	
20	6N7-42828-00-00	PLATE, CLAMP	1	
21	6R3-42828-00-00	PLATE, CLAMP	1	
22	97095-06010-00	BOLT	2	
23	92995-06600-00	WASHER	2	
24	6N7-42841-00-00	MARK, CLAMP	1	
25	6E5-44391-00-00	NIPPLE, HOSE	1	
26	61A-42725-12-00	GROMMET	1	
27	90465-13M30-00	CLAMP	1	
28	61A-42738-02-5B	PLATE, FITTING	1	
29	64D-42738-10-5B	PLATE, FITTING	1	
30	97095-06016-00	BOLT	2	
31	92995-06600-00	WASHER	2	
32	97095-06012-00	BOLT	1	
33	92995-06600-00	WASHER	1	
34	90480-22M15-00	GROMMET	4	
35	90387-08M37-00	COLLAR	4	
36	90201-08M54-00	WASHER, PLATE	1	
37	97075-08035-00	BOLT	1	
38	90119-08M22-00	BOLT, WITH WASHER	4	
39	688-42726-10-00	GROMMET	1	
40	61A-42716-00-00	RUBBER, SEAL 1	1	
41	61A-42717-00-00	RUBBER, SEAL 2	4	
42	61A-42727-00-00	GROMMET	1	
43	61A-42741-01-8D	APRON	1	
44	61A-42771-01-8D	APRON	1	
45	97095-06030-00	BOLT	2	
46	92995-06600-00	WASHER	2	
47	97095-06020-00	BOLT	4	
48	92995-06600-00	WASHER	4	
49	6E5-82594-00-00	CLAMP	1	
50	6E5-82588-00-00	PLATE	1	
51	97095-06020-00	BOLT	1	
52	92990-06600-00	WASHER, PLATE	1	
53	688-82594-00-00	CLAMP	1	

54	6R3-12572-00-00	.ADAPTER	1	
55	6R3-12580-00-00	.JOINT ASSY	1	
56	90445-11M36-00	HOSE (L: 620)	1	
57	90465-11M10-00	CLAMP	2	

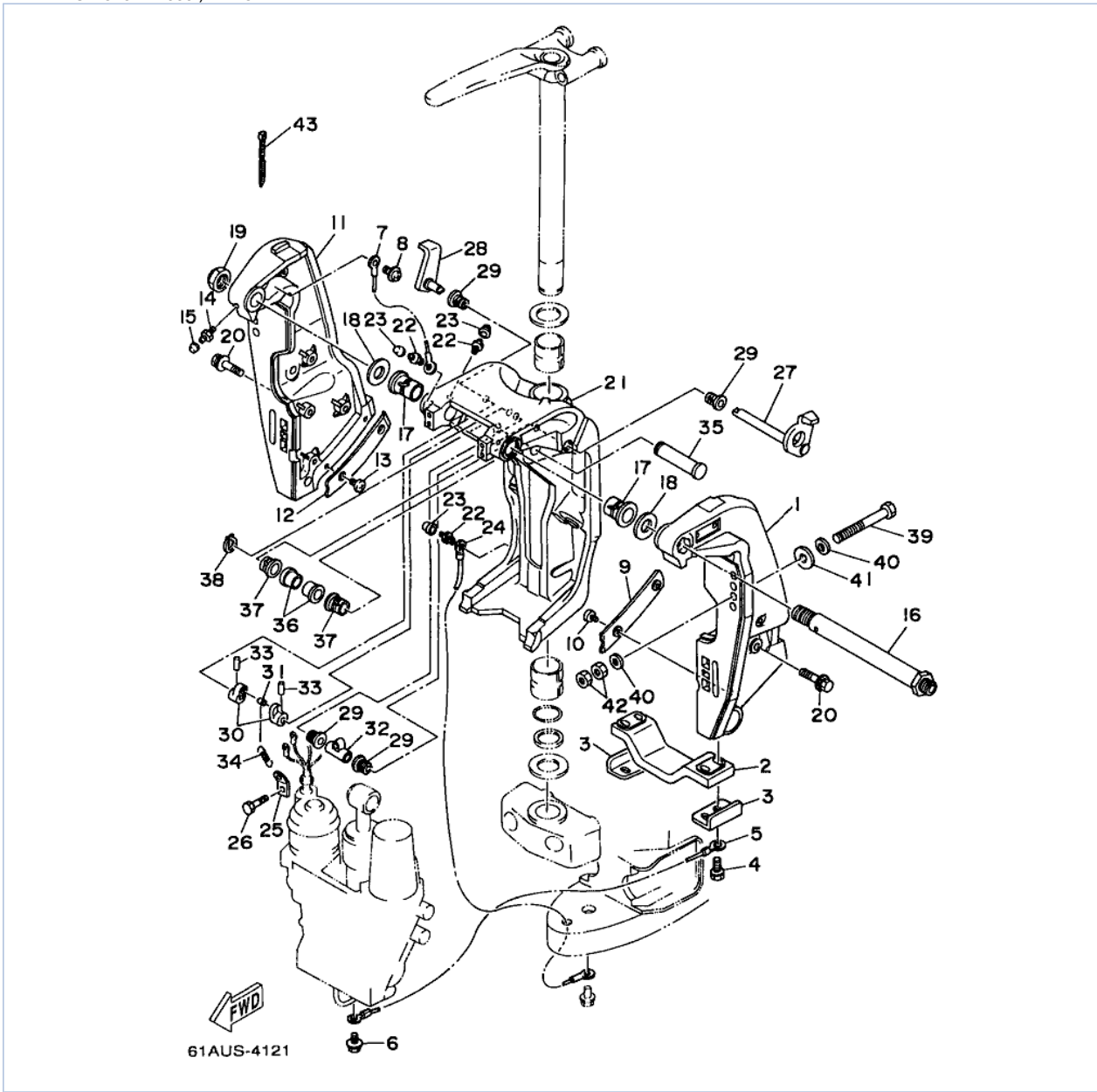
Part Notes

S225TURX 1999 / BOTTOM COWLING

PART NUMBER		NOTE TEXT
92990-06600-00		OEM: This part number is among the Top 100 Most Popular Marine Maintenance Parts as of August 2013.

©2013 Yamaha Motor Corporation, U.S.A. All rights reserved.

S225TURX 1999 / BRACKET 1



©2013 Yamaha Motor Corporation, U.S.A. All rights reserved.



Part List

S225TURX 1999 / BRACKET 1

REF - NO	PART NUMBER	PART NAME	QUANTITY	REMARKS
1	61A-43111-23-8D	BRACKET, CLAMP	1	
2	6G5-45251-01-00	ANODE	1	
3	6G5-44526-00-00	PLATE	2	
4	97595-06525-00	BOLT, WITH WASHER	4	
5	6H1-82148-00-00	WIRE, LEAD 4	1	
6	97595-06510-00	BOLT, WITH WASHER	1	
7	6E5-82148-00-00	WIRE, LEAD 4	1	
8	97985-06212-00	SCREW, WITH WASHER	1	
9	61A-43132-00-00	WASHER, FRICTION	1	
10	97885-06010-00	SCREW, PAN HEAD	2	
11	61A-43112-23-8D	BRACKET, CLAMP	1	
12	61A-43133-00-00	WASHER,FRICTION	1	
13	97885-06010-00	SCREW, PAN HEAD	2	
14	93700-06M03-00	NIPPLE, GREASE	1	
15	663-45119-00-00	CAP, GREASE NIPPLE	1	
16	6R3-43131-00-00	BOLT, CLAMP BRACKET	1	
17	90386-25M31-00	BUSH	2	
18	90201-26M59-00	WASHER, PLATE	2	
19	90185-22M11-00	NUT, SELF-LOCKING	1	
20	97595-10645-00	BOLT, WITH WASHER	8	
21	61A-43311-21-8D	BRACKET, SWIVEL 1	1	UR ULTRA LONG
21	61A-43311-31-8D	BRACKET, SWIVEL 1	1	UR SUPER ULTRA
22	93700-06M03-00	NIPPLE, GREASE	5	
23	663-45119-00-00	CAP, GREASE NIPPLE	5	
24	61A-82147-20-00	WIRE, LEAD 4	1	UR ULTRA LONG
24	61A-82147-30-00	WIRE, LEAD 4	1	UR SUPER ULTRA
25	6G5-43144-00-00	HOOK, SPRING	1	
26	97095-06010-00	BOLT	1	
27	61A-43181-01-00	LEVER, TILT STOP 1	1	
28	6G5-43185-02-00	LEVER, TILT STOP 2	1	
29	90386-10M16-00	BUSH	4	
30	6G5-43148-00-00	COLLAR, DISTANCE	2	
31	90249-06M19-00	PIN	1	
32	90387-10M02-00	COLLAR	1	
33	91690-30020-00	PIN, SPRING	2	
34	90506-14M24-00	SPRING, TENSION	1	
35	6E5-43126-02-00	PIN, UPPER SHOCK MOUNT	1	
36	90386-18M63-00	BUSH	2	
37	90386-18M14-00	BUSH	2	
38	93410-18M02-00	CIRCLIP	1	
39	90101-12M05-00	BOLT (L:130MM)	4	
40	90201-13M01-00	WASHER, PLATE	8	
41	90201-12M05-00	WASHER, PLATE	4	
42	95380-12600-00	NUT	8	
43	90465-11M10-00	CLAMP	2	

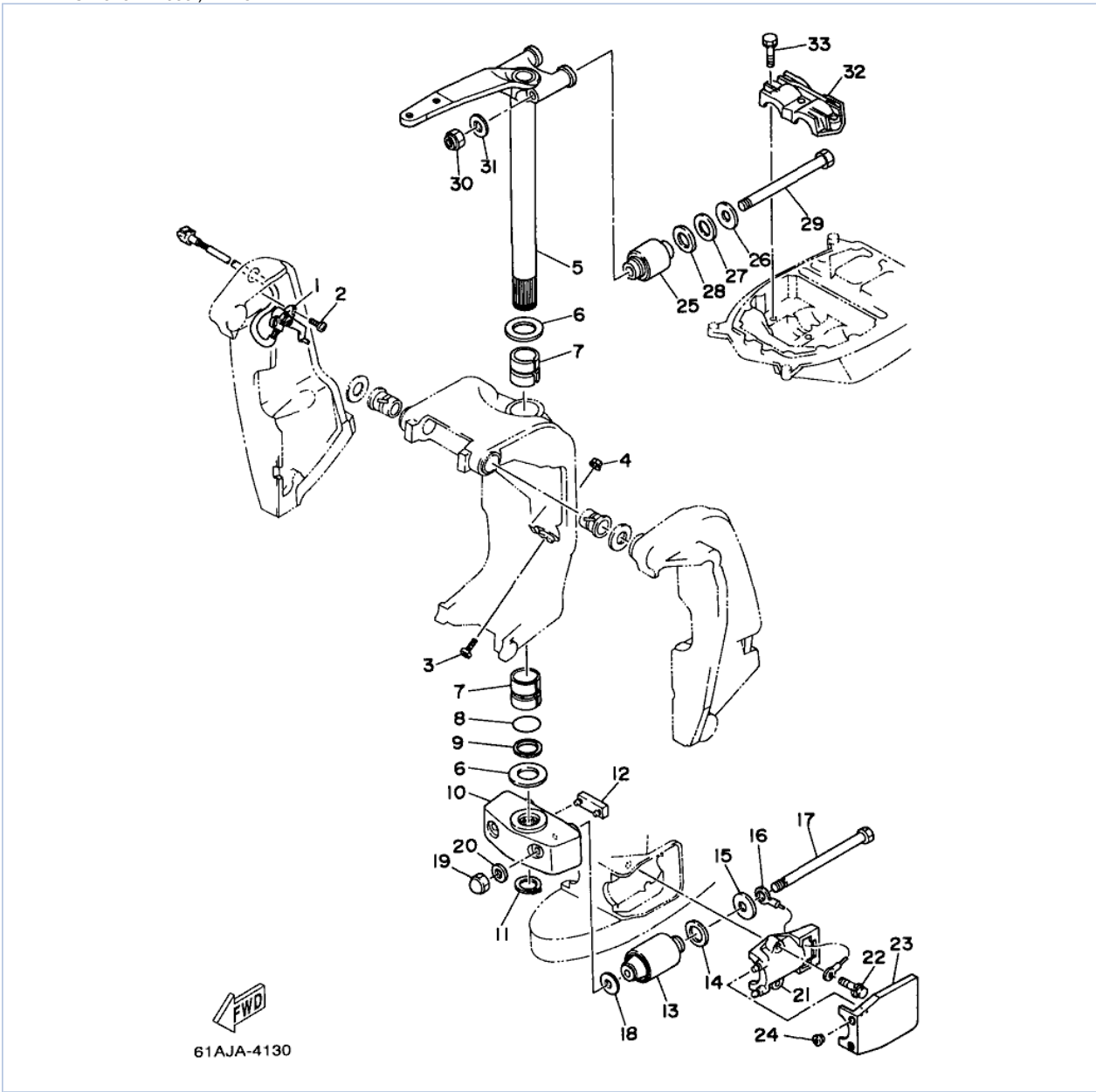
Part Notes

S225TURX 1999 / BRACKET 1

PART NUMBER		NOTE TEXT
93700-06M03-00		OEM: This part number is among the Top 100 Most Popular Marine Maintenance Parts as of August 2013.
93700-06M03-00		OEM: This part number is among the Top 100 Most Popular Marine Maintenance Parts as of August 2013.

©2013 Yamaha Motor Corporation, U.S.A. All rights reserved.

S225TURX 1999 / BRACKET 2



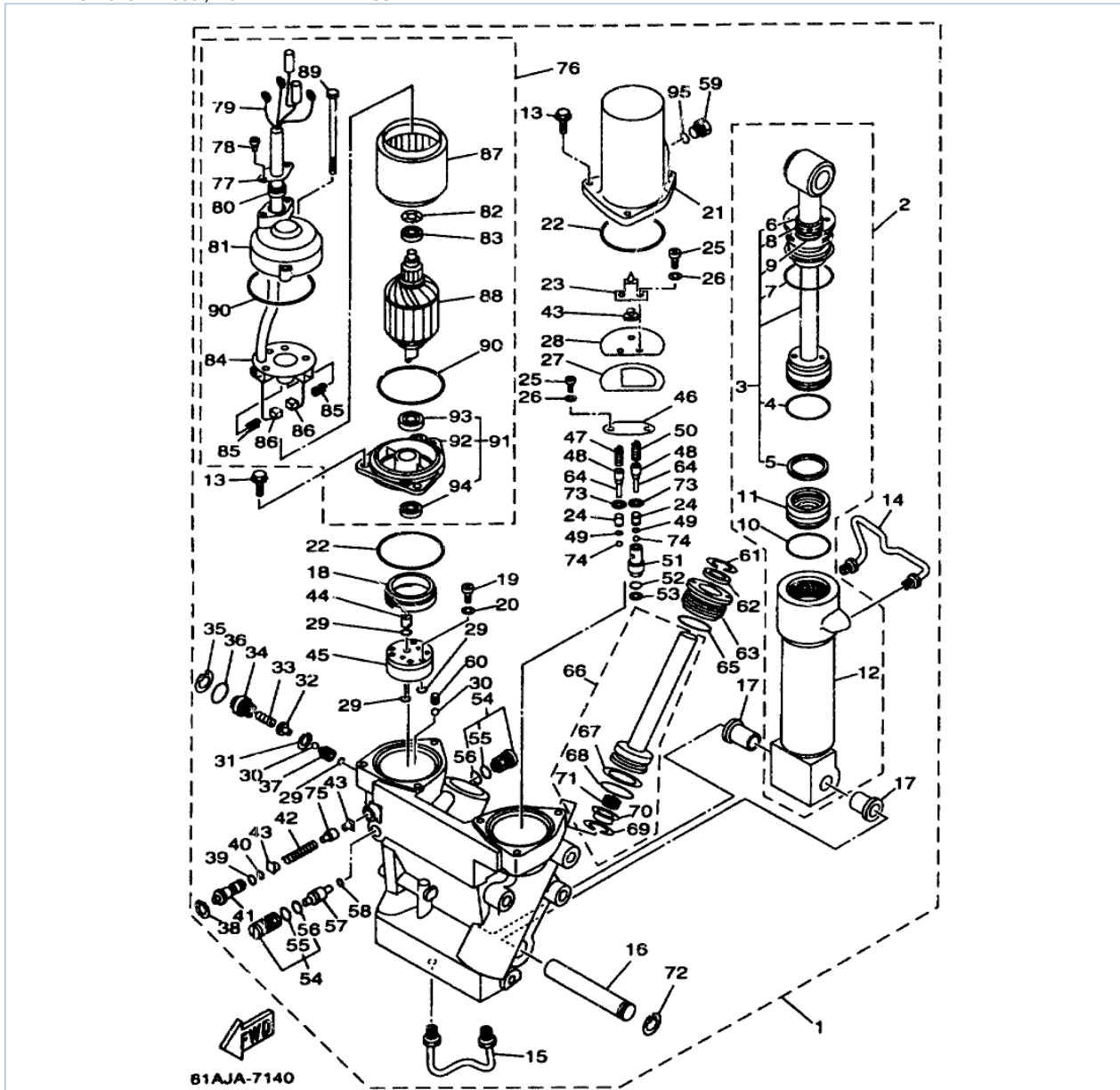
©2013 Yamaha Motor Corporation, U.S.A. All rights reserved.

Part List

S225TURX 1999 / BRACKET 2

REF - NO	PART NUMBER	PART NAME	QUANTITY	REMARKS
1	61A-83672-01-00	TRIM SENDER	1	
2	97885-06016-00	SCREW, PAN HEAD	2	
3	61A-43376-00-00	BOLT, THRUST RECEIVER	2	
4	95780-10300-00	NUT, FLANGE	2	
5	61A-42510-21-8D	STEERING BRACKET ASSY	1	UR ULTRA LONG
5	61A-42510-31-8D	STEERING BRACKET ASSY	1	UR SUPER ULTRA
6	90201-40M00-00	WASHER, PLATE	2	
7	90386-39M89-00	BUSH	2	
8	93210-35321-00	O-RING	1	
9	90202-40M47-00	WASHER, PLATE	1	
10	61A-44551-01-8D	HOUSING, LOWER MOUNT RUBBER	1	
11	93410-37M04-00	CIRCLIP	1	
12	61A-44575-00-00	DAMPER, LOWER MOUNT RUBBER	1	
13	61A-44555-01-94	MOUNT DAMPER, LOWER SIDE	2	
14	90202-32M19-00	WASHER, PLATE	2	
15	90201-16M55-00	WASHER, PLATE	2	
16	6E5-82149-00-00	WIRE, LEAD 3	1	
17	90109-14M48-00	BOLT	2	
18	90201-15M58-00	WASHER, PLATE	2	
19	95380-14800-00	NUT	2	
20	92995-14600-00	WASHER	2	
21	61A-44552-01-94	HOUSING, LOWER MOUNT RUBBER	2	
22	97595-10545-00	BOLT, WITH WASHER	4	
23	61A-44553-00-8D	COVER, LOWER MOUNT	2	
24	6A0-15789-00-00	.DAMPER	4	
25	61A-44514-00-94	MOUNT DAMPER, UPPER SIDE	2	
26	90201-16M01-00	WASHER, PLATE	2	
27	90202-28M46-00	WASHER, PLATE	2	
28	90201-28M01-00	WASHER, PLATE	2	
29	90109-14M10-00	BOLT	2	
30	90185-14M00-00	NUT, SELF-LOCKING	2	
31	92995-14600-00	WASHER	2	
32	61A-44511-00-94	COVER, UPPER MOUNT	1	
33	97595-10545-00	BOLT, WITH WASHER	3	

S225TURX 1999 / POWER TRIM TILT ASSEMBLY



©2013 Yamaha Motor Corporation, U.S.A. All rights reserved.

Part List





S225TURX 1999 / POWER TRIM TILT ASSEMBLY

REF - NO	PART NUMBER	PART NAME	QUANTITY	REMARKS
1	61A-43800-25-4D	POWER TRIM & TILT ASSY	1	
2	61A-43840-01-00	.POWER TILT ASSY	1	
3	61A-43810-00-00	..TILT PISTON SUB ASSY	1	
4	6H1-43861-10-00	..O-RING	1	
5	61A-43871-00-00	..RING, BACK UP	1	
6	93106-19N50-00	..OIL SEAL	1	
7	6H1-43861-00-00	..O-RING	1	
8	6H1-43872-10-00	..RING, BACK UP	1	
9	61A-4389H-00-00	..O-RING	1	
10	61A-43861-00-00	..O-RING	1	
11	6H1-43814-00-00	..PISTON, FREE	1	
12	61A-43813-01-00	..CYLINDER, TILT	1	
13	97595-06420-00	.BOLT, WITH WASHER	6	
14	61A-43835-01-00	.PIPE	1	
15	61A-43833-01-00	.PIPE	1	
16	61A-43818-00-00	.PIN, LOWER SHOCK MOUNT	1	
17	90386-18M14-00	.BUSH	2	
18	6H1-43817-00-00	.FILTER 2	1	
19	98511-04030-00	.SCREW, PAN HEAD	3	
20	92901-04100-00	.WASHER, SPRING	3	
21	61A-43828-00-00	.BODY, RESERVOIR	1	
22	6H1-43869-00-00	.O-RING	2	
23	61A-4384L-00-00	.SPRING, TRIM DOWN	1	
24	6T4-43851-00-00	.SEAT, RELIEF VALVE	2	
25	98501-05010-00	.SCREW, PAN HEAD	4	
26	92901-05100-00	.WASHER, SPRING	4	
27	61A-4384K-00-00	.PLATE, TRIM DOWN	1	
28	61A-4384J-00-00	.SEAL, TRIM DOWN	1	
29	93210-064A5-00	.O-RING	2	
30	93505-32038-00	.BALL	2	
31	61A-43875-00-00	.RING, SNAP	1	
32	61A-43848-00-00	.ROD, MANUAL RELEASE	1	
33	61A-43854-00-00	.SPRING, MANUAL RELEASE	1	
34	61A-43845-00-00	.SCREW, MANUAL RELEASE	1	
35	6H1-43875-00-00	.RING, SNAP	1	
36	93210-18397-00	.O-RING	1	
37	61A-43847-00-00	.SEAT, MANUAL VALVE	1	
38	6T4-43876-00-00	.RING, SNAP	1	
39	93210-07003-00	.O-RING	1	
40	93210-06001-00	.O-RING	1	
41	6T4-43849-00-00	.PIN, VALVE SUPPORT	1	
42	61A-4385H-00-00	.SPRING, SEAL	1	
43	6H1-4384F-10-00	.SEAL, MAIN VALVE	3	
44	6H1-43831-00-00	.CONNECTOR, SHAFT	1	
45	6T4-43830-00-00	.GEAR PUMP ASSY	1	
46	61A-4382K-00-00	.CAP, RELIEF VALVE	1	
47	6H1-43856-10-00	.SPRING, DOWN RELIEF	1	
48	6T4-43844-00-00	.PIN, VALVE SUPPORT	2	
49	6T4-4384G-00-00	.SEAL, RELIEF VALVE	2	
50	6T4-43855-00-00	.SPRING, UP RELIEF	1	
51	6T4-43895-00-00	.SEAT, RELIEF VALVE	1	
52	93210-10M74-00	.O-RING	1	
53	6H1-43816-00-00	.FILTER 1	1	

54	6T4-43802-03-00	.VALVE SUB ASSY	2	
55	6H1-43866-00-00	..O-RING	1	
56	6H1-43867-00-00	..O-RING	1	
57	6T4-43841-01-00	.PISTON, SHUTTLE	1	
58	93210-09165-00	.O-RING	1	
59	6H1-43829-00-00	.PLUG, RESERVOIR	1	
60	61A-43878-00-00	.BOLT, SOCKET	1	
61	6T4-43875-00-00	.RING, SNAP	2	
62	61A-43822-00-00	.SEAL, TRIM DUST	2	
63	61A-43821-00-00	.SCREW, TRIM CYLINDER END	2	
64	91609-10014-00	.PIN, SPRING	2	
65	6H1-43861-10-00	.O-RING	2	
66	61A-43820-10-00	.TRIM PISTON SUB ASSY	2	
67	61A-43874-00-00	..RING, BACK UP	1	
68	61A-43864-00-00	..O-RING	1	
69	61A-43875-10-00	..RING, SNAP	1	
70	61A-4383H-10-00	..HOSE OIL	1	
71	6H1-4384H-10-00	..SPRING	1	
72	61A-43876-00-00	.RING, SNAP	1	
73	6T4-43893-00-00	.WASHER	2	
74	93501-08001-00	.BALL	2	
75	61A-4382A-00-00	.ADAPTOR 1	1	
76	61A-43880-02-00	.MOTOR ASSY	1	
77	6T4-4386J-00-00	..WASHER, SPECIAL	1	
78	90157-05107-00	..SCREW, PAN HEAD	2	
79	61A-43807-00-00	..WIRE SUB ASSY	1	
80	6T4-43885-00-00	..GROMMET	1	
81	61A-43884-01-00	..FRAME, COMMUTATOR END	1	
82	90206-14086-00	..WASHER, WAVE	3	
83	93300-60820-00	..BEARING	1	
84	61A-43806-00-00	..BRUSH HOLDER ASSY	1	
85	61A-4386K-00-00	..SPRING, BRUSH	4	
86	61A-43891-00-00	..BRUSH 1	2	
87	61A-43804-01-00	..STATOR ASSY	1	
88	61A-43805-01-00	..ARMATURE ASSY	1	
89	61A-43887-00-00	..BOLT, THROUGH	2	
90	93210-72789-00	..O-RING	2	
91	61A-43881-01-00	..FRAME, END	1	
92	61A-43881-11-00	..FRAME, END	1	
93	93300-60820-00	..BEARING	1	
94	93102-08414-00	..OIL SEAL	1	
95	6H1-43867-00-00	.O-RING	1	

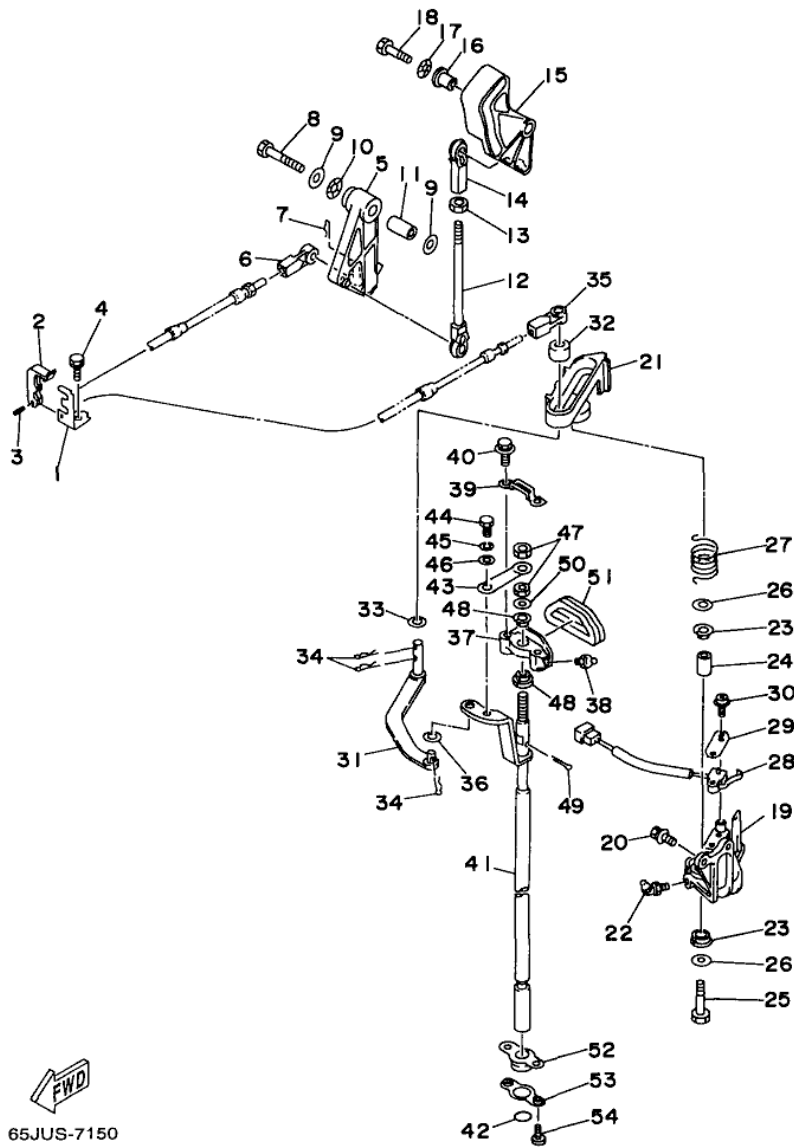
Part Notes

S225TURX 1999 / POWER TRIM TILT ASSEMBLY

PART NUMBER		NOTE TEXT
6H1-43861-10-00		OEM: This part number is among the Top 100 Most Popular Marine Maintenance Parts as of August 2013.
6T4-43875-00-00		OEM: This part number is among the Top 100 Most Popular Marine Maintenance Parts as of August 2013.
61A-43822-00-00		OEM: This part number is among the Top 100 Most Popular Marine Maintenance Parts as of August 2013.
6H1-43861-10-00		OEM: This part number is among the Top 100 Most Popular Marine Maintenance Parts as of August 2013.

©2013 Yamaha Motor Corporation, U.S.A. All rights reserved.

S225TURX 1999 / CONTROL



©2013 Yamaha Motor Corporation, U.S.A. All rights reserved.

Part List


S225TURX 1999 / CONTROL

REF - NO	PART NUMBER	PART NAME	QUANTITY	REMARKS
1	65L-48531-00-00	BRACKET, REMOTE CONTROL 1	1	
2	663-48538-00-00	CLAMP, CABLE 1	1	
3	91690-30010-00	PIN, SPRING	1	
4	97595-08420-00	BOLT, WITH WASHER	1	
5	65L-41632-00-00	LEVER, MAGNETO CONTROL	1	
6	6E5-48344-00-00	CABLE END, REMOTE CONTROL	1	
7	90468-18008-00	CLIP	1	
8	97013-08045-00	BOLT	1	
9	92990-08200-00	WASHER, PLAIN	2	
10	90206-12M00-00	WASHER, WAVE	1	
11	90387-08M16-00	COLLAR	1	
12	61A-41237-00-00	JOINT, LINK	1	
13	95380-05600-00	NUT	1	
14	682-41237-00-00	JOINT, LINK	1	
15	65L-41213-00-00	CAM, ACCEL.	1	
16	90387-06M29-00	COLLAR	1	
17	90206-10M04-00	WASHER, WAVE	1	
18	90119-06M75-00	BOLT, WITH WASHER	1	
19	61A-44117-00-8D	BRACKET	1	
20	97595-06516-00	BOLT, WITH WASHER	2	
21	61A-44176-00-8D	BRACKET	1	
22	93700-06M01-00	NIPPLE, GREASE	1	
23	90386-12069-00	BUSH	2	
24	90387-08M09-00	COLLAR	1	
25	97095-08035-00	BOLT	1	
26	92995-08200-00	WASHER	2	
27	90508-20M31-00	SPRING, TORSION	1	
28	61A-8259F-00-00	SWITCH ASSY	1	
29	61A-82588-00-00	PLATE	1	
30	97585-04116-00	SCREW, WITH WASHER	2	
31	61A-44121-00-00	LEVER, SHIFT ROD	1	
32	6E5-44122-00-00	BUSHING, SHIFT ROD LEVER	1	
33	90202-08M20-00	WASHER, PLATE	1	
34	90468-18008-00	CLIP	3	
35	6E5-48344-00-00	CABLE END, REMOTE CONTROL	1	
36	90202-06007-00	WASHER, PLATE	1	
37	61A-44118-00-8D	BRACKET	1	
38	93700-06M03-00	NIPPLE, GREASE	1	
39	61A-44116-00-00	SPRING	1	
40	97595-06630-00	BOLT, WITH WASHER	2	
41	61A-44120-32-00	HANDLE GEAR SHIFT ASSY	1	UR SUPER ULTRA
41	61A-44120-22-00	HANDLE GEAR SHIFT ASSY	1	UR ULTRA LONG
42	93210-09165-00	O-RING	1	
43	61A-44112-00-00	STAY, HANDLE GEAR SHIFT	1	
44	97013-06012-00	BOLT	1	
45	92903-06100-00	WASHER, SPRING	1	
46	92903-06600-00	WASHER, PLATE	1	
47	95313-08600-00	NUT	2	
48	90386-90M90-00	BUSH	2	
49	91490-20012-00	PIN. COTTER	1	
50	90201-09M02-00	WASHER, PLATE	1	

51	61A-15315-00-00	SEAL, CRANKCASE	1	
52	61A-42724-00-00	GROMMET	1	
53	61A-44138-00-00	WASHER	1	
54	97885-06008-00	SCREW, PAN HEAD	2	

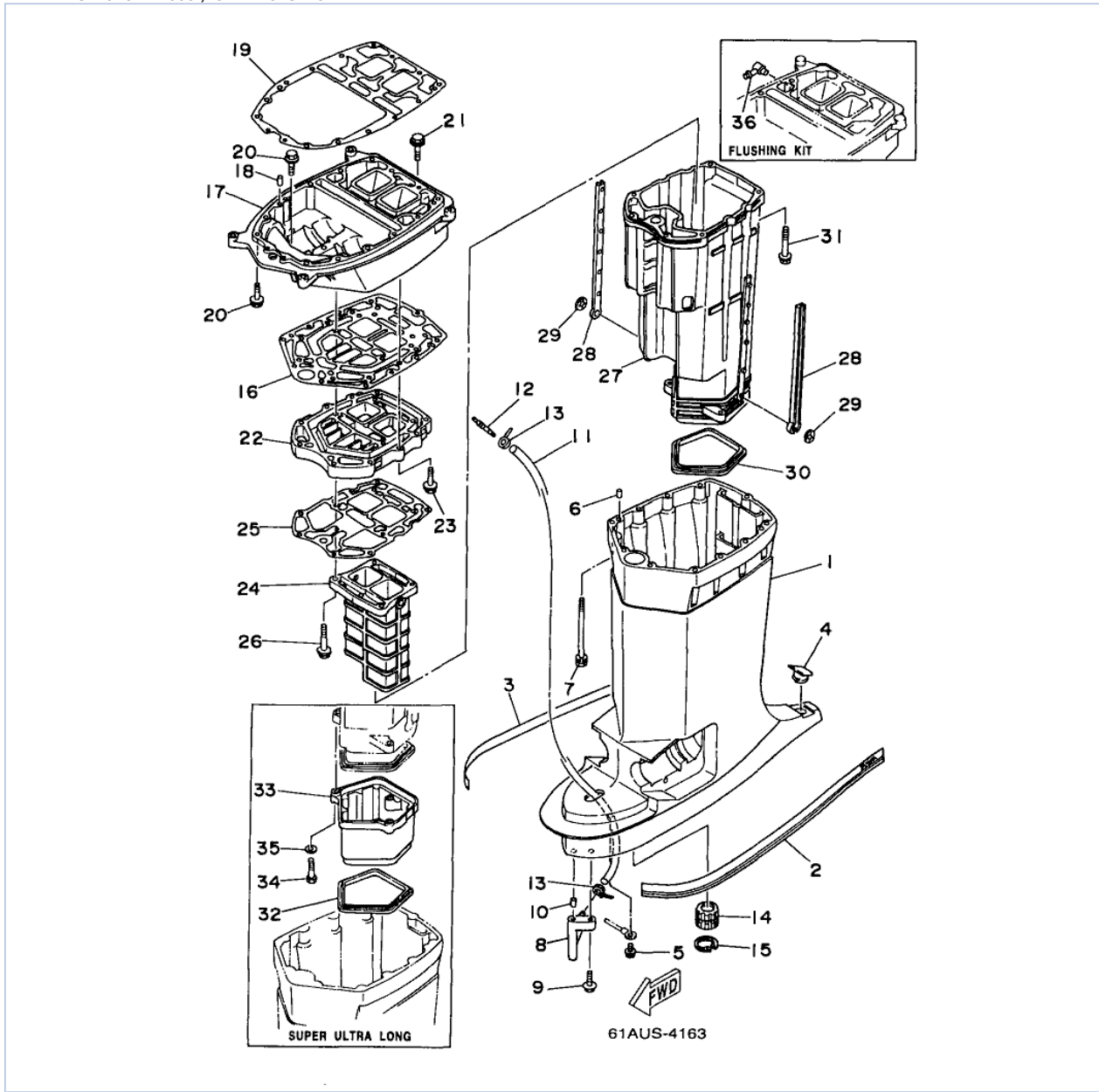
Part Notes

S225TURX 1999 / CONTROL

PART NUMBER		NOTE TEXT
93700-06M03-00		OEM: This part number is among the Top 100 Most Popular Marine Maintenance Parts as of August 2013.

©2013 Yamaha Motor Corporation, U.S.A. All rights reserved.

S225TURX 1999 / UPPER CASING



©2013 Yamaha Motor Corporation, U.S.A. All rights reserved.


Part List

S225TURX 1999 / UPPER CASING

REF - NO	PART NUMBER	PART NAME	QUANTITY	REMARKS
1	61A-45111-21-8D	CASING, UPPER	1	UR ULTRA LONG
1	61A-45111-31-8D	CASING, UPPER	1	UR SUPER ULTRA
2	61A-42791-S0-00	MARK 1	1	
3	61A-42792-S0-00	MARK	1	
4	61A-45155-00-00	CAP	1	
5	97595-06510-00	BOLT, WITH WASHER	1	
6	93608-12M05-00	PIN, DOWEL	2	
7	90119-08M78-00	BOLT, WITH WASHER	8	
8	61A-45378-00-00	NIPPLE, HOSE	1	
9	90119-06M17-00	BOLT, WITH WASHER	1	
10	93606-12019-00	.PIN, DOWEL	1	
11	90445-07M21-00	HOSE (L1160)	1	UR SUPER ULTRA
11	90445-07MF0-00	HOSE (L1030)	1	UR ULTRA LONG
12	6E5-83558-00-00	END, NIPPLE	1	
13	90465-11M10-00	CLAMP	2	
14	6E5-45318-00-00	BUSHING, DRIVE SHAFT	1	
15	93420-36M01-00	CIRCLIP	1	
16	61A-45114-A0-00	.GASKET, UPPER CASING	1	
17	61A-41137-11-94	GUIDE, EXHAUST	1	
18	93608-12M05-00	PIN, DOWEL	2	
19	61A-45113-A0-00	.GASKET, UPPER CASING	1	
20	90119-08M79-00	BOLT, WITH WASHER	8	
21	97595-08535-00	BOLT, WITH WASHER	1	
22	61A-41131-00-5B	MANIFOLD, EXT. 1	1	
23	97595-08535-00	BOLT, WITH WASHER	4	
24	61A-41132-01-5B	MANIFOLD, EXHAUST	1	
25	61A-41134-A0-00	.GASKET, EXHAUST MANIFOLD	1	
26	97595-08550-00	BOLT, WITH WASHER	4	
27	61A-14711-22-5B	MUFFLER 1	1	
28	6E5-14737-00-00	DAMPER, MUFFLER	2	
29	90183-05M02-00	NUT, SPRING	2	
30	61A-45123-01-00	GASKET, MUFFLER	1	
31	90119-08M74-00	.BOLT, WITH WASHER	6	
32	61A-45123-01-00	GASKET, MUFFLER	1	SUPER ULTRA LONG
33	61A-14721-30-5B	MUFFLER 2	1	SUPER ULTRA LONG
34	97095-06035-00	BOLT	3	SUPER ULTRA LONG
35	92990-06600-00	WASHER, PLATE	3	SUPER ULTRA LONG
36	6H1-11372-00-00	.NIPPLE, HOSE	1	

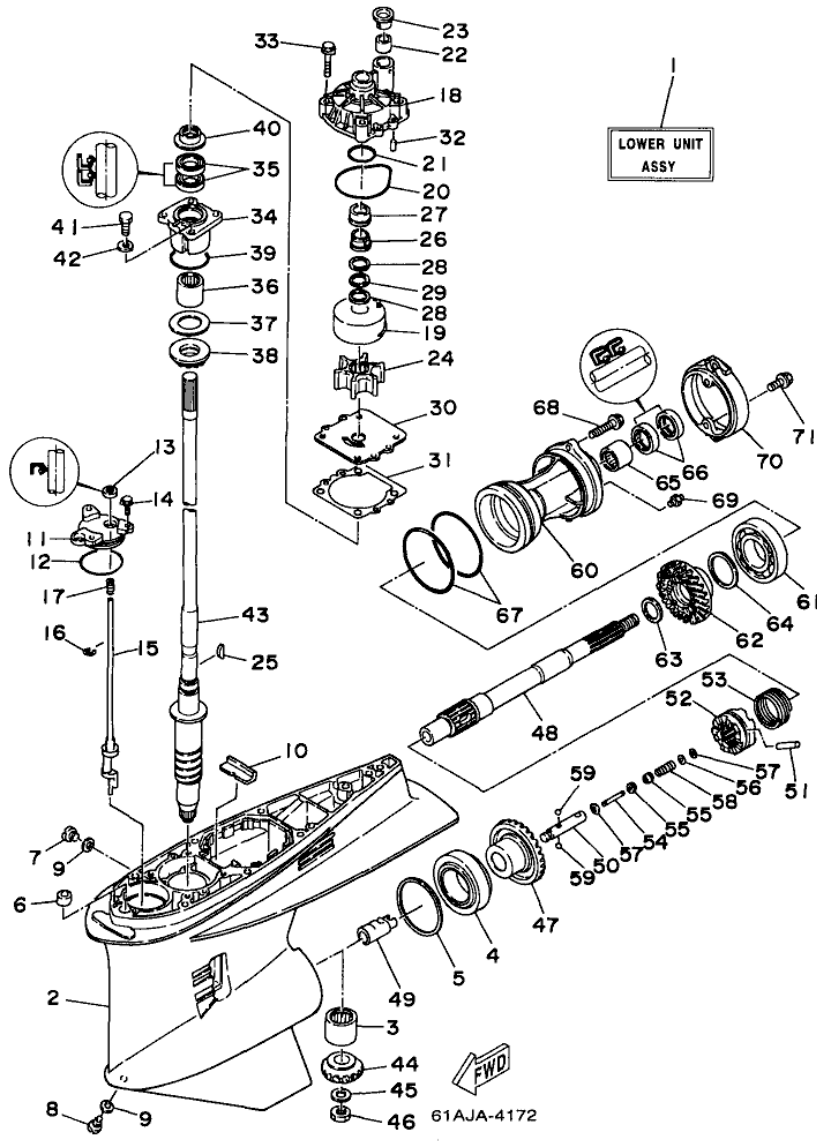
Part Notes

S225TURX 1999 / UPPER CASING

PART NUMBER	NOTE TEXT
92990-06600-00 	OEM: This part number is among the Top 100 Most Popular Marine Maintenance Parts as of August 2013.

©2013 Yamaha Motor Corporation, U.S.A. All rights reserved.

S225TURX 1999 / LOWER CASING DRIVE 1 S225 250



©2013 Yamaha Motor Corporation, U.S.A. All rights reserved.

Part List










S225TURX 1999 / LOWER CASING DRIVE 1 S225 250

REF - NO	PART NUMBER	PART NAME	QUANTITY	REMARKS
1	65J-45300-30-8D	LOWER UNIT ASSY	1	UR SUPER ULTRA LONG*(REF. NO. 2~71)
1	65J-45300-20-8D	LOWER UNIT ASSY	1	UR ULTRA LONG*(REF. NO. 2~71)
2	61A-45301-03-8D	CASING, LOWER	1	
3	93311-832V2-00	BEARING	1	
4	93332-000W1-00	BEARING	1	
5	61A-45567-00-12	SHIM (T:0.12MM)	1	UR
5	61A-45567-00-10	SHIM (T:0.10MM)	1	UR
5	61A-45567-00-15	SHIM (T:0.15MM)	1	UR
5	61A-45567-00-50	SHIM (T:0.50MM)	1	UR
5	61A-45567-00-40	SHIM (T:0.40MM)	1	UR
5	61A-45567-00-18	SHIM (T:0.18MM)	1	UR
5	61A-45567-00-30	SHIM (T:0.30MM)	1	UR
6	663-44366-00-00	DAMPER, WATER SEAL 2	1	
7	90340-08M04-00	PLUG, STRAIGHT SCREW	1	
8	688-45341-00-00	PLUG, DRAIN	1	
9	90430-08020-00	.GASKET	2	
10	61A-45376-00-94	GUIDE, SEAL DAMPER	1	
11	61A-45321-01-5B	PLATE	1	
12	93210-64488-00	.O-RING	1	
13	93106-09014-00	.OIL SEAL	1	
14	90119-06M10-00	BOLT, WITH WASHER	3	
15	61A-44150-01-00	SHIFT CAM ASSY	1	
16	93430-08006-00	CIRCLIP	1	
17	90501-11M10-00	SPRING, COMPRESSION	1	
18	61A-44311-01-00	HOUSING, WATER PUMP	1	
19	61A-44322-01-00	INSERT, CARTRIDGE	1	
20	93210-86M38-00	.O-RING	1	
21	93210-37160-00	.O-RING	1	
22	6E5-44365-00-00	DAMPER, WATER SEAL 1	1	
23	6E5-44312-00-00	COVER, WATER PUMP HOUSING	1	
24	6E5-44352-00-00	IMPELLER	1	
25	90280-04M05-00	.KEY, WOODRUFF	1	
26	61A-45538-00-00	SPACER 1	1	
27	61A-45527-00-00	COLLAR, DRIVE SHAFT	1	
28	90201-22M01-00	WASHER, PLATE	2	
29	90206-22M19-00	WASHER, WAVE	1	
30	6G5-44323-00-00	.OUTER PLATE, CARTRIDGE	1	
31	6E5-44315-A0-00	.GASKET, WATER PUMP	1	
32	93606-12019-00	.PIN, DOWEL	2	
33	90119-08M14-00	.BOLT, WITH WASHER	4	
34	61A-45331-00-94	HOUSING, BEARING	1	
35	93101-28M16-00	.OIL SEAL	2	
36	93317-330U2-00	BEARING	1	
37	61A-45587-00-10	SHIM (T:0.10MM)	1	UR
37	61A-45587-00-12	SHIM (T:0.12MM)	1	UR
37	61A-45587-00-15	SHIM (T:0.15MM)	1	UR
37	61A-45587-00-18	SHIM (T:0.18MM)	1	UR
37	61A-45587-00-30	SHIM (T:0.30MM)	1	UR
37	61A-45587-00-40	SHIM (T:0.40MM)	1	UR
37	61A-45587-00-50	SHIM (T:0.50MM)	1	UR
38	93341-930U9-00	BEARING	1	
39	93210-55M14-00	.O-RING	1	
40	6E5-45344-00-00	COVER, OIL SEAL	1	

41	97095-08025-00	BOLT	4	
42	92995-08600-00	WASHER	4	
43	61A-45501-20-00	DRIVE SHAFT COMP.	1	UR ULTRA LONG
43	61A-45501-30-00	DRIVE SHAFT COMP.	1	UR SUPER ULTRA
44	61A-45551-03-00	PINION (16T)	1	
45	90201-16M00-00	WASHER, PLATE	1	
46	90170-16M19-00	NUT	1	
47	61A-45560-02-00	GEAR	1	
48	61A-45611-01-00	SHAFT, PROPELLER	1	
49	61A-45641-01-00	SHIFTER	1	
50	61A-45634-01-00	SLIDE, SHIFT	1	
51	61A-45632-00-00	PIN, CROSS	1	
52	61A-45631-02-00	CLUTCH, DOG	1	
53	61A-45633-00-00	RING, CROSS PIN	1	
54	6H1-45668-00-00	SHAFT, FREE 1	1	
55	61A-45635-00-00	PLUNGER, SHIFT	2	
56	90201-02M00-00	WASHER, PLATE	1	
57	90183-02M03-00	NUT, SPRING	2	
58	90501-10M77-00	SPRING, COMPRESSION	1	
59	93501-04011-00	.BALL	2	
60	61A-45332-02-94	HOUSING, BEARING	1	
61	93306-210U0-00	BEARING	1	
62	61A-45571-00-00	GEAR 2 (29T)	1	
63	90201-31M00-00	WASHER, PLATE	1	
64	61A-45577-00-10	SHIM (T:0.10MM)	1	UR
64	61A-45577-00-12	SHIM (T:0.12MM)	1	UR
64	61A-45577-00-15	SHIM (T:0.15MM)	1	UR
64	61A-45577-00-18	SHIM (T:0.18MM)	1	UR
64	61A-45577-00-30	SHIM (T:0.30MM)	1	UR
64	61A-45577-00-40	SHIM (T:0.40MM)	1	UR
64	61A-45577-00-50	SHIM (T:0.50MM)	1	UR
65	93317-330U5-00	BEARING	1	
66	93101-30M17-00	.OIL SEAL	2	
67	93211-04384-00	.O-RING	2	
68	90105-08M48-00	BOLT, FLANGE	2	
69	93700-09M00-00	NIPPLE, GREASE	1	
70	61A-45361-01-5B	CAP, LOWER CASING	1	
71	97595-08520-00	BOLT, WITH WASHER	2	

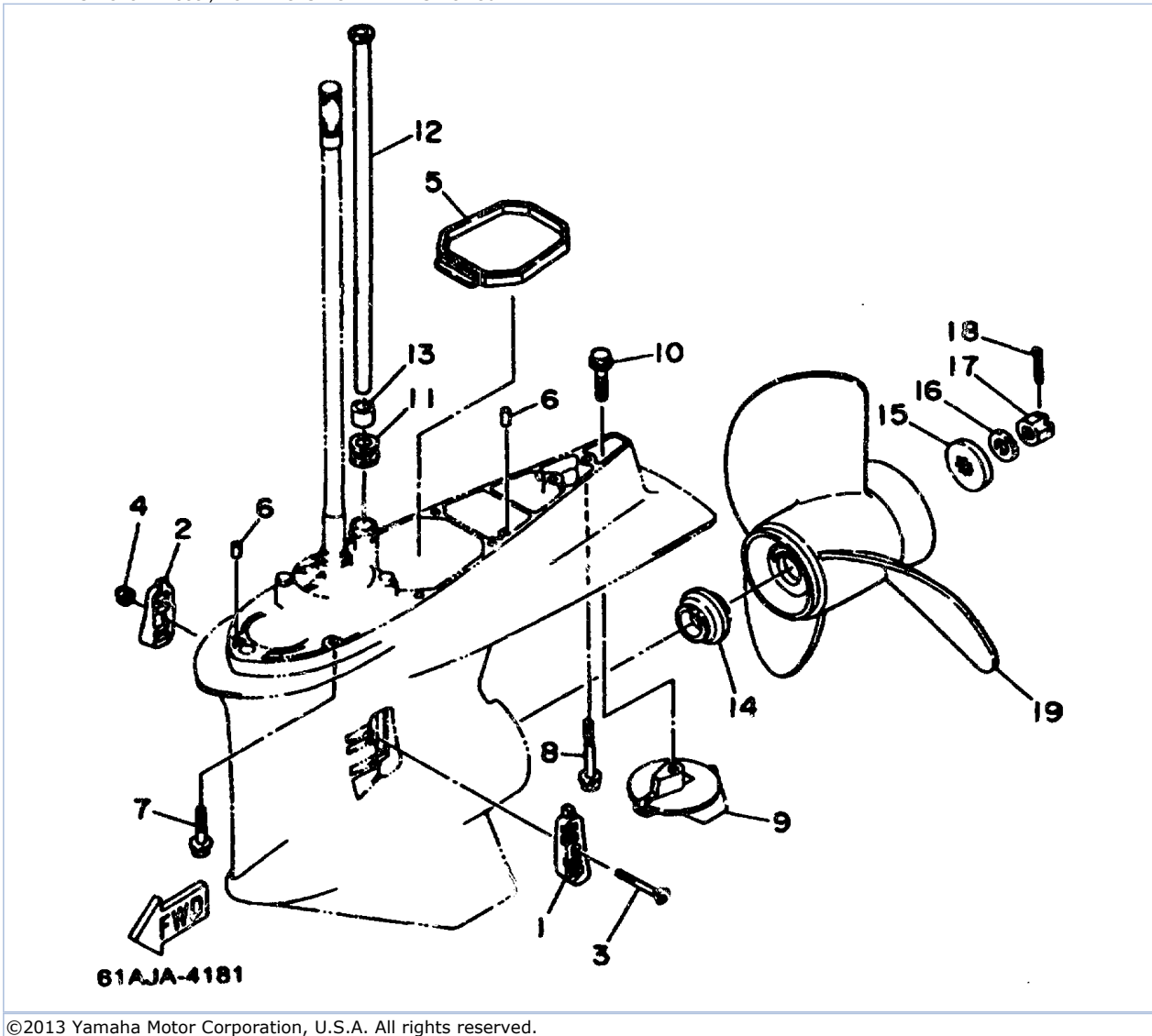
Part Notes

S225TURX 1999 / LOWER CASING DRIVE 1 S225 250

PART NUMBER		NOTE TEXT
90430-08020-00		OEM: This part number is among the Top 100 Most Popular Marine Maintenance Parts as of August 2013.
93106-09014-00		OEM: This part number is among the Top 100 Most Popular Marine Maintenance Parts as of August 2013.
61A-44311-01-00		OEM: This part number is among the Top 100 Most Popular Marine Maintenance Parts as of August 2013.
93210-86M38-00		OEM: This part number is among the Top 100 Most Popular Marine Maintenance Parts as of August 2013.
61A-45538-00-00		OEM: This part number is among the Top 100 Most Popular Marine Maintenance Parts as of August 2013.
61A-45527-00-00		OEM: This part number is among the Top 100 Most Popular Marine Maintenance Parts as of August 2013.
90201-22M01-00		OEM: This part number is among the Top 100 Most Popular Marine Maintenance Parts as of August 2013.
93101-28M16-00		OEM: This part number is among the Top 100 Most Popular Marine Maintenance Parts as of August 2013.
93101-30M17-00		OEM: This part number is among the Top 100 Most Popular Marine Maintenance Parts as of August 2013.

©2013 Yamaha Motor Corporation, U.S.A. All rights reserved.

S225TURX 1999 / LOWER CASING DRIVE 2 S225 250



©2013 Yamaha Motor Corporation, U.S.A. All rights reserved.




Part List

S225TURX 1999 / LOWER CASING DRIVE 2 S225 250

REF - NO	PART NUMBER	PART NAME	QUANTITY	REMARKS
1	61A-45214-00-00	COVER, WATER INLET	1	
2	61A-45215-00-00	COVER, WATER INLET	1	
3	90142-05M04-00	SCREW	1	
4	90185-05002-00	NUT, NYLON	1	
5	61A-45375-00-00	DAMPER, SEAL	1	
6	93608-12M05-00	PIN, DOWEL	2	
7	97595-10645-00	BOLT, WITH WASHER	7	
8	90119-10MA2-00	BOLT, WITH WASHER	1	
9	61A-45371-00-00	TAB-TRIM	1	
10	90105-10M00-00	BOLT, FLANGE	1	
11	6E5-44366-00-00	DAMPER, WATER SEAL 2	1	
12	61A-44361-20-00	TUBE, WATER	1	UR ULTRA LONG
12	61A-44361-30-00	TUBE, WATER	1	UR SUPER ULTRA
13	6E5-44365-00-00	DAMPER, WATER SEAL 1	1	
14	6E5-45987-01-00	SPACER 1	1	
15	688-45997-01-00	SPACER 2	1	
16	92990-18200-00	WASHER	1	
17	90171-18M04-00	NUT, CASTLE	1	
18	91490-40030-00	PIN. COTTER	1	
19	6G5-45978-03-98	PROPELLER (3X13-3/4"X17"-M2)	1	UR
19	6G5-45974-03-98	PROPELLER (3X13-3/4"X19"-M2)	1	UR
19	61A-45972-00-98	PROPELLER (3X14-1/2"X21"-T)	1	UR
19	61A-45978-00-98	PROPELLER (3X15"X17"-T)	1	UR
19	61A-45974-00-98	PROPELLER (3X14-1/2"X19"-T)	1	UR
19	6G5-45970-02-98	PROPELLER (3X15-1/4"X15"-M)	1	UR
19	6G5-45972-02-98	PROPELLER (3X13-3/4"X21"-M)	1	UR

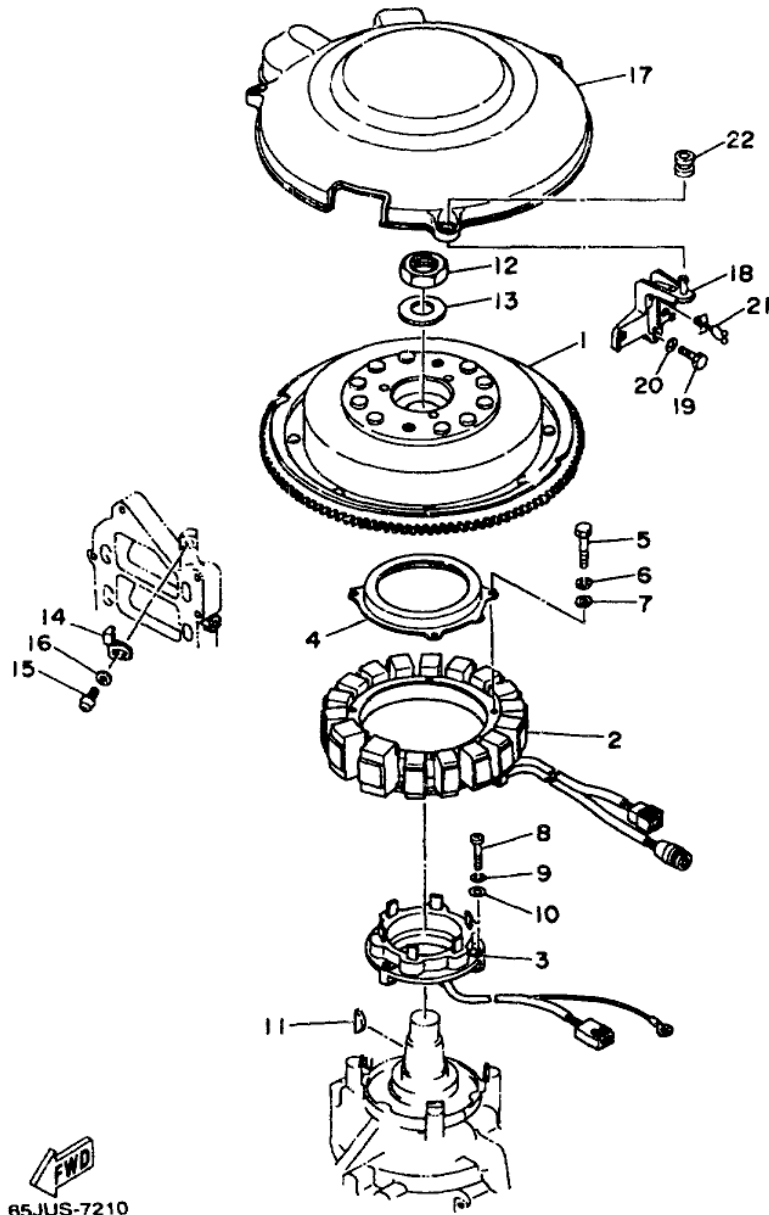
Part Notes

S225TURX 1999 / LOWER CASING DRIVE 2 S225 250

PART NUMBER		NOTE TEXT
61A-45371-00-00		OEM: This part number is among the Top 100 Most Popular Marine Maintenance Parts as of August 2013.
90105-10M00-00		OEM: This part number is among the Top 100 Most Popular Marine Maintenance Parts as of August 2013.
91490-40030-00		OEM: This part number is among the Top 100 Most Popular Marine Maintenance Parts as of August 2013.

©2013 Yamaha Motor Corporation, U.S.A. All rights reserved.

S225TURX 1999 / MAGNETO




65JUS-7210

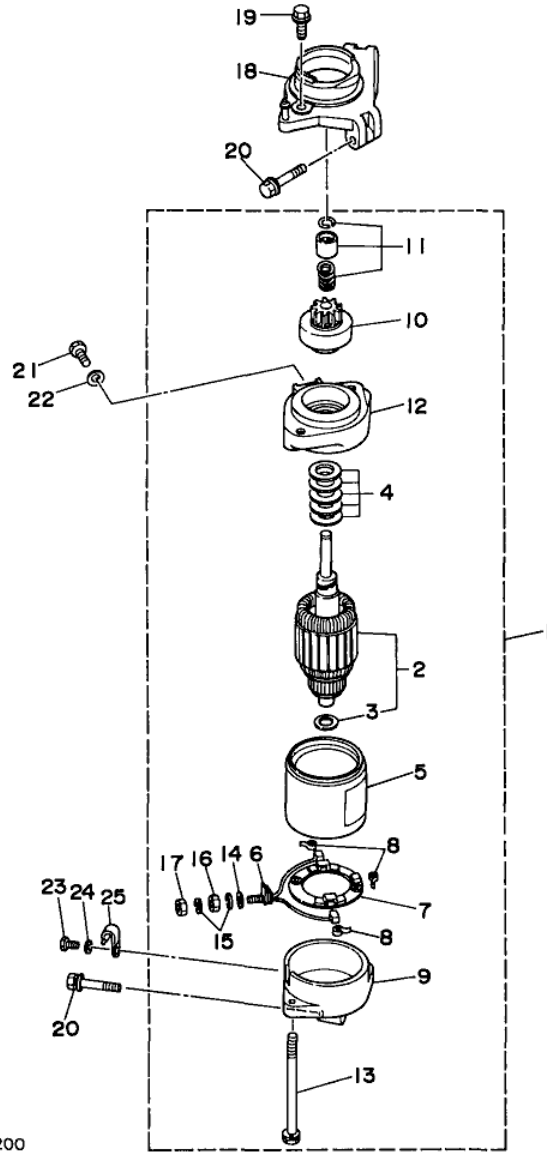
©2013 Yamaha Motor Corporation, U.S.A. All rights reserved.

Part List

S225TURX 1999 / MAGNETO

REF - NO	PART NUMBER	PART NAME	QUANTITY	REMARKS
1	61A-85550-01-00	ROTOR ASSY	1	
2	61A-85510-02-00	STATOR ASSY	1	
3	61A-85580-00-00	COIL, PULSER	1	
4	61A-83721-00-00	COVER	1	
5	97013-06035-00	BOLT	4	
6	92903-06100-00	WASHER, SPRING	4	
7	92903-06600-00	WASHER, PLATE	4	
8	97885-05030-00	SCREW, PAN HEAD	3	
9	92995-05100-00	WASHER	3	
10	92995-05600-00	WASHER	3	
11	90280-05015-00	KEY, WOODRUFF	1	
12	90170-24M22-00	NUT	1	
13	90201-25M02-00	WASHER, PLATE	1	
14	6E5-81332-00-00	PLATE, TIMING	1	
15	97885-06010-00	SCREW, PAN HEAD	1	
16	92995-06600-00	WASHER	1	
17	61A-81337-01-00	COVER, FLYWHEEL	1	
18	65L-81338-00-00	CLAMP, LEAD	1	
19	97013-06025-00	BOLT	1	
20	92903-06600-00	WASHER, PLATE	1	
21	90464-18M46-00	CLAMP	1	
22	663-82317-01-00	DAMPER, IGNITION COIL	3	

S225TURX 1999 / STARTING MOTOR



61AJA-4200

©2013 Yamaha Motor Corporation, U.S.A. All rights reserved.


Part List

S225TURX 1999 / STARTING MOTOR

REF - NO	PART NUMBER	PART NAME	QUANTITY	REMARKS
1	61A-81800-01-00	STARTING MOTOR ASSY	1	
2	61A-81850-01-00	.ARMATURE ASSY	1	
3	61A-81824-00-00	..WASHER 2	1	
4	61A-81809-00-00	.WASHER KIT	1	
5	6K7-81810-10-00	.STATOR ASSY	1	
6	6K7-81801-10-00	.BRUSH SET	1	
7	61A-81840-00-00	.BRUSH HOLDER ASSY	1	
8	6E5-81813-10-00	.SPRING, BRUSH	3	
9	61A-81820-00-00	.REAR BRACKET ASSY	1	
10	61A-81807-00-00	.GEAR ASSY, STARTING MOTOR	1	
11	61H-81857-00-00	.RETAINER	1	
12	61A-81830-00-00	.FRONT BRACKET ASSY	1	
13	6K7-81826-10-00	.BOLT	2	
14	6E5-8182E-10-00	.WASHER	1	
15	6E5-8182F-10-00	.WASHER	2	
16	6E5-8182A-10-00	.NUT	1	
17	6E5-8182K-10-00	.NUT	1	
18	61A-81822-00-94	BRACKET, STARTING MOTOR	1	
19	90119-08M76-00	BOLT, WITH WASHER	2	
20	90119-08M77-00	BOLT, WITH WASHER	3	
21	97095-08016-00	BOLT	1	
22	92995-08600-00	WASHER	1	
23	97095-06012-00	BOLT	1	
24	92990-06600-00	WASHER, PLATE	1	
25	90465-08M07-00	CLAMP	1	

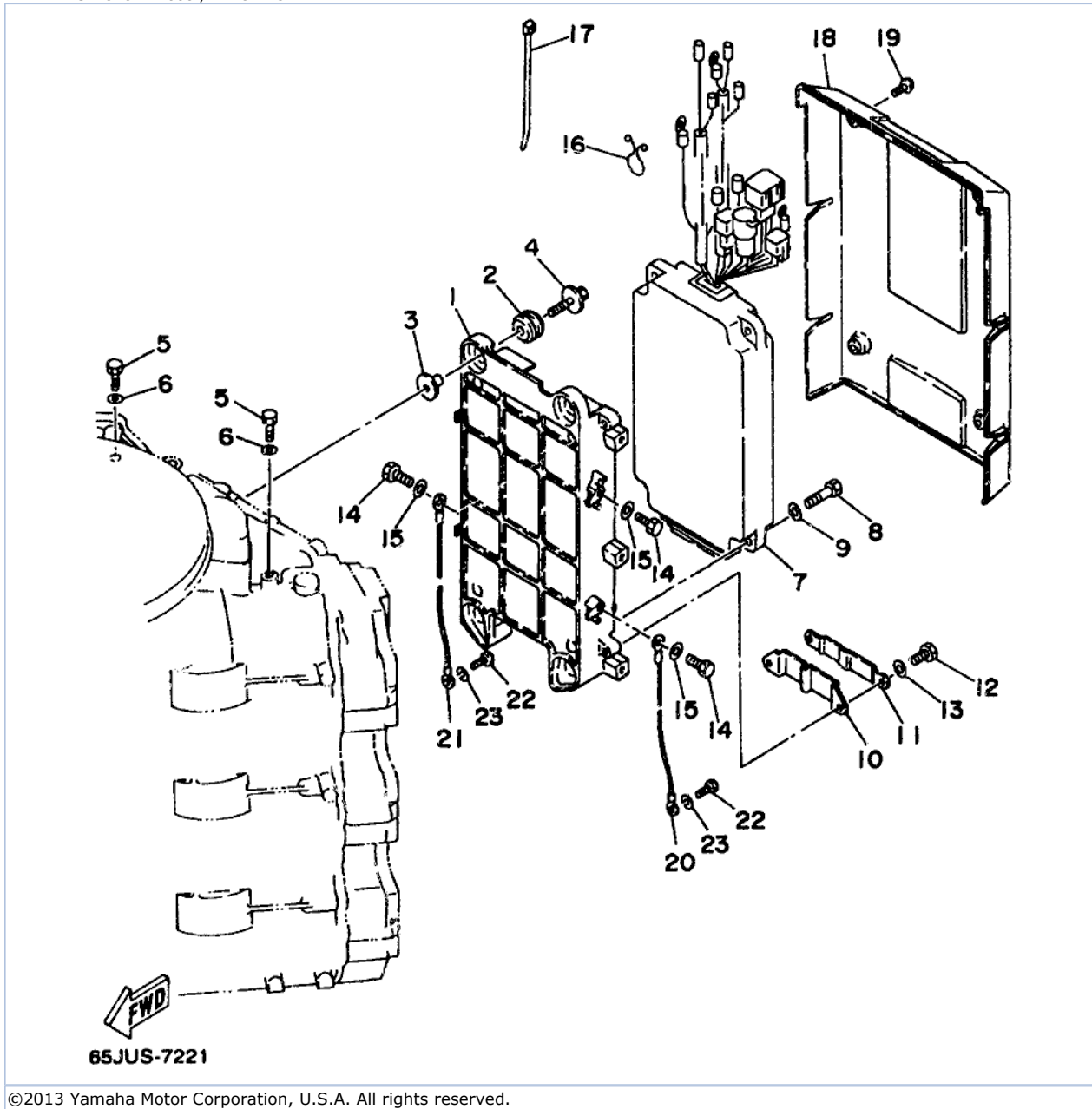
Part Notes

S225TURX 1999 / STARTING MOTOR

PART NUMBER	NOTE TEXT
92990-06600-00 	OEM: This part number is among the Top 100 Most Popular Marine Maintenance Parts as of August 2013.

©2013 Yamaha Motor Corporation, U.S.A. All rights reserved.

S225TURX 1999 / ELECTRICAL 1

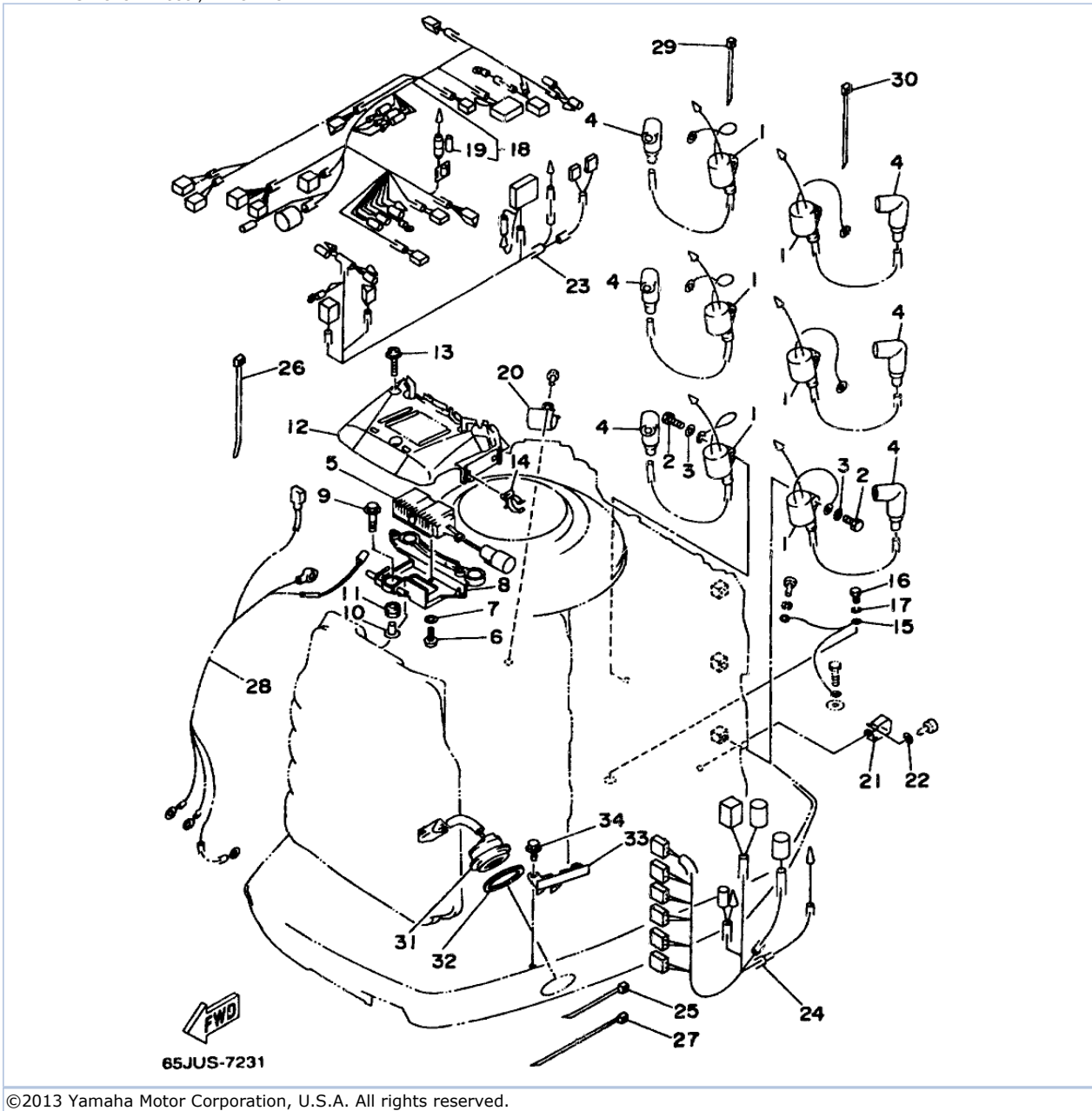


Part List

S225TURX 1999 / ELECTRICAL 1

REF - NO	PART NUMBER	PART NAME	QUANTITY	REMARKS
1	61A-85542-01-94	BRACKET	1	
2	90480-09M12-00	GROMMET	4	
3	90387-06M03-00	COLLAR	4	
4	90119-06M28-00	BOLT, WITH WASHER	4	
5	97013-06016-00	BOLT	2	
6	92903-06600-00	WASHER, PLATE	2	
7	65L-85540-01-00	C.D.I. UNIT ASSEMBLY	1	
8	97013-06025-00	BOLT	4	
9	92903-06600-00	WASHER, PLATE	4	
10	61A-85548-00-00	HOLDER	1	
11	61A-85525-00-00	COVER	1	
12	97095-06016-00	BOLT	2	
13	92995-06600-00	WASHER	2	
14	97013-06014-00	BOLT	4	
15	92903-06600-00	WASHER, PLATE	4	
16	90464-15M11-00	CLAMP	1	
17	90465-11M52-00	CLAMP	1	
18	61A-85537-00-00	COVER	1	
19	90159-06M03-00	SCREW, WITH WASHER	4	
20	61A-82519-00-00	WIRE, EARTH LEAD	1	
21	6G0-82519-00-00	WIRE, EARTH LEAD	1	
22	97013-06012-00	BOLT	2	
23	92903-06100-00	WASHER, SPRING	2	

S225TURX 1999 / ELECTRICAL 2

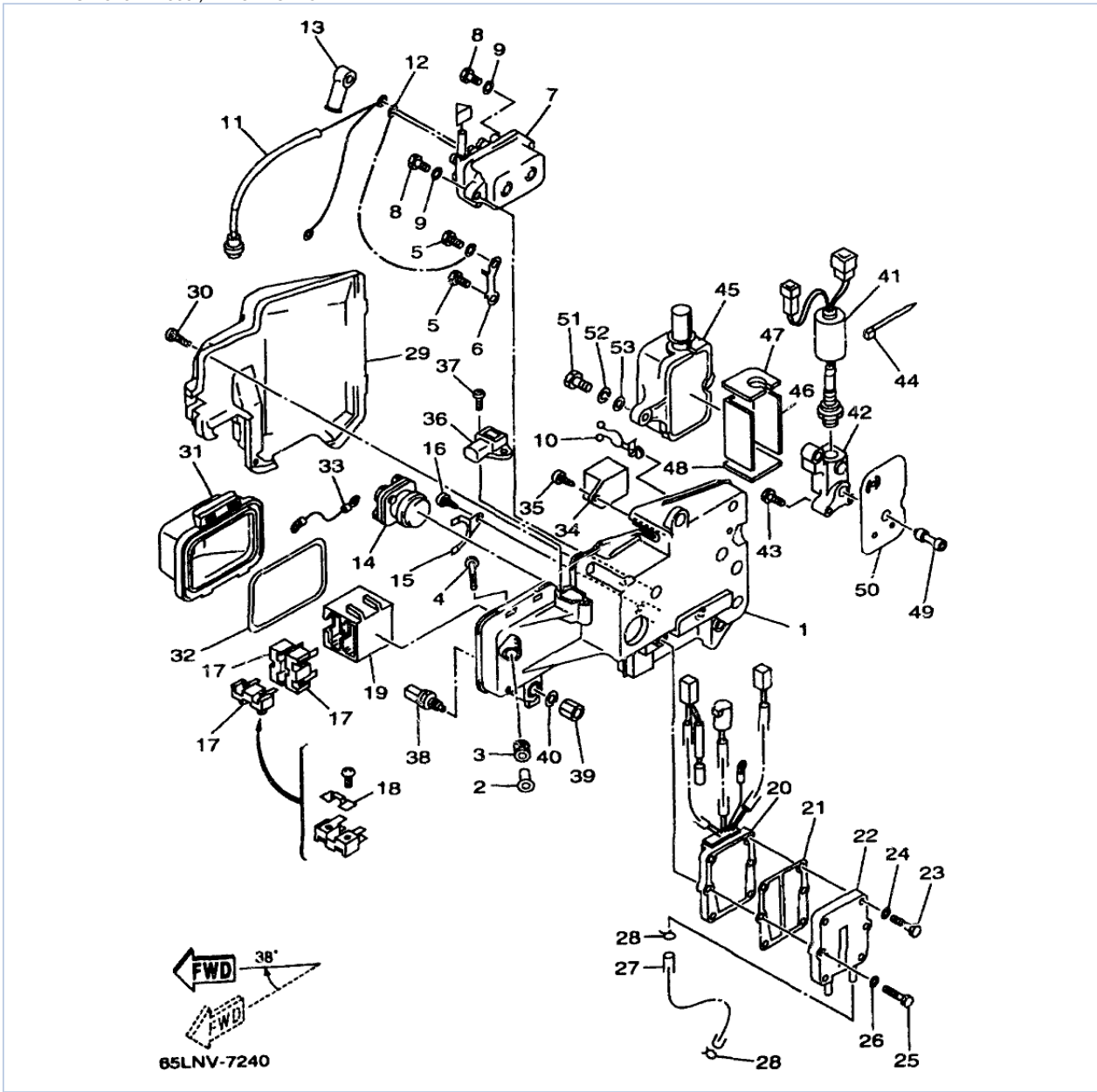


Part List

S225TURX 1999 / ELECTRICAL 2

REF - NO	PART NUMBER	PART NAME	QUANTITY	REMARKS
1	61A-85570-00-00	IGNITION COIL ASSY	6	
2	97013-06020-00	BOLT	6	
3	92903-06600-00	WASHER, PLATE	6	
4	6E3-82370-20-00	PLUG CAP ASSY	6	
5	65L-85370-00-00	RESISTOR ASSY	1	
6	97885-05010-00	.SCREW, PAN HEAD	2	
7	92995-05600-00	WASHER	2	
8	65L-81915-00-00	PLATE, REGULATOR FITTING	1	
9	90119-06M65-00	BOLT, WITH WASHER	3	
10	90387-06M60-00	COLLAR	3	
11	90480-10M23-00	GROMMET	3	
12	65L-81916-00-00	COVER, TERMINAL	1	
13	90159-06M03-00	SCREW, WITH WASHER	2	
14	90464-19M45-00	CLAMP	2	
15	61A-82531-00-00	WIRE, LEAD	1	
16	97013-06012-00	BOLT	1	
17	92903-06100-00	WASHER, SPRING	1	
18	65L-82590-00-00	WIRE HARNESS ASSY	1	
19	682-82151-00-00	.FUSE (12V-20A)	1	
20	90465-10M14-00	CLAMP	1	
21	90465-08M33-00	CLAMP	1	
22	92903-06600-00	WASHER, PLATE	1	
23	65L-8259M-00-00	WIRE HARNESS ASSY 2	1	
24	65L-8259N-20-00	WIRE HARNESS ASSEMBLY 3	1	
25	90465-11M10-00	CLAMP	1	
26	90465-11M52-00	CLAMP	1	
27	90465-13M18-00	CLAMP	1	
28	61A-82105-00-00	WIRE HARNESS	1	
29	90465-11M10-00	CLAMP	1	
30	90465-13M18-00	CLAMP	1	
31	61A-82563-00-00	TRIM & TILT SWITCH ASSY	1	
32	6E5-82587-00-00	GASKET	1	
33	61A-83614-00-00	BRACKET	1	
34	97095-06012-00	BOLT	2	

S225TURX 1999 / ELECTRICAL 3



©2013 Yamaha Motor Corporation, U.S.A. All rights reserved.


Part List

S225TURX 1999 / ELECTRICAL 3

REF - NO	PART NUMBER	PART NAME	QUANTITY	REMARKS
1	65L-81948-00-00	BRACKET	1	
2	624-42542-00-00	PIPE	5	
3	6A0-82317-00-00	DAMPER, IGNITION COIL	5	
4	90119-06M65-00	BOLT, WITH WASHER	5	
5	97013-06014-00	BOLT	2	
6	61A-87149-00-00	CONNECTOR	1	
7	61A-81950-00-00	RELAY ASSY	1	
8	97013-06030-00	BOLT	2	
9	92903-06600-00	WASHER, PLATE	2	
10	90464-18M46-00	CLAMP	1	
11	61A-81949-10-00	WIRE, LEAD	1	
12	61A-81949-00-00	WIRE, LEAD	1	
13	6G5-82119-00-00	COVER, LEAD WIRE	1	
14	61A-81941-00-00	STARTER RELAY ASSY	1	
15	61A-81952-00-00	HOLDER, RELAY	1	
16	97780-50612-00	SCREW, TAPPING	1	
17	61A-82150-00-00	FUSE HOLDER ASSY	3	
18	61A-82151-00-00	.FUSE (12V-80A)	1	
19	61A-82153-00-00	STAY, FUSE HOLDER	1	
20	61A-81960-01-00	RECTIFIER & REGULATOR ASSY	1	
21	61A-81975-A0-00	PLATE, RECTIFIER FITTING	1	
22	61A-81972-00-9M	COVER, RECTIFIER	1	
23	97013-06025-00	BOLT	4	
24	92903-06600-00	WASHER, PLATE	4	
25	97013-06030-00	BOLT	2	
26	92903-06600-00	WASHER, PLATE	2	
27	90445-09224-00	HOSE (L270)	1	
28	90467-08004-00	CLIP	2	
29	65L-81942-00-00	COVER	1	
30	90169-05M00-00	SCREW, TRUSS HEAD TAPPING	2	
31	61A-82154-01-00	CASE	1	
32	61A-82176-00-00	DAMPER	1	
33	61A-82117-00-00	WIRE, LEAD	1	
34	65L-81950-00-00	RELAY ASSY	1	
35	97780-60625-00	SCREW, TAPPING	1	
36	65L-82380-00-00	SENSOR, PRESSURE	1	
37	97780-60625-00	SCREW, TAPPING	2	
38	65L-85886-00-00	THERMOSENSOR	1	
39	90170-12M36-00	NUT	1	
40	90201-12M34-00	.WASHER, PLATE	1	
41	65L-8592A-00-00	SENSOR	1	
42	65L-11395-00-00	HOLDER	1	
43	90119-06M74-00	BOLT, WITH WASHER	3	
44	90465-13M18-00	CLAMP	1	
45	65L-85832-00-00	CASE, UNDER	1	
46	65L-11354-00-00	GASKET	1	
47	65L-1131N-00-00	GASKET, HOLDER	1	
48	65L-11396-00-00	GASKET, HOLDER	1	
49	65L-11353-00-00	JOINT	1	
50	65L-11357-00-00	SEAL, CYLINDER 3	1	
51	97095-06030-00	BOLT	2	
52	92995-06100-00	WASHER, SPRING	2	

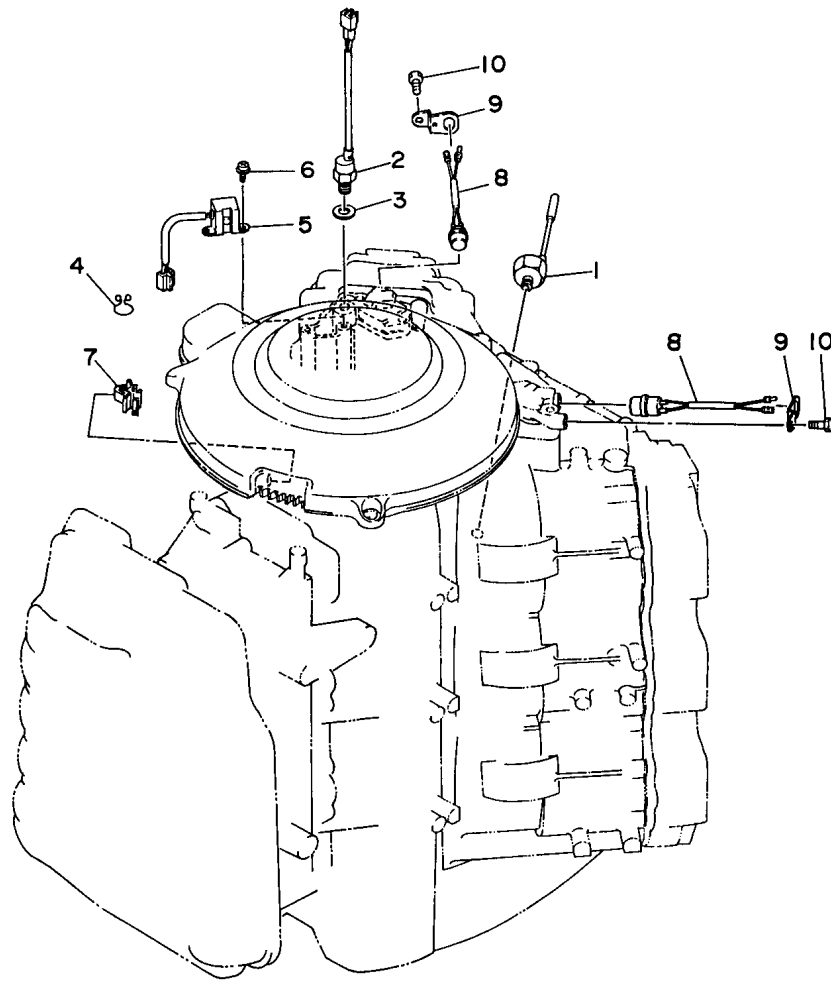
53	92995-06600-00	WASHER	2
----	----------------	--------	---

Part Notes*S225TURX 1999 / ELECTRICAL 3*

PART NUMBER		NOTE TEXT
92995-06100-00		OEM: This part number is among the Top 100 Most Popular Marine Maintenance Parts as of August 2013.

©2013 Yamaha Motor Corporation, U.S.A. All rights reserved.

S225TURX 1999 / ELECTRICAL 4



65JUS-7260

©2013 Yamaha Motor Corporation, U.S.A. All rights reserved.


Part List

S225TURX 1999 / ELECTRICAL 4

REF - NO	PART NUMBER	PART NAME	QUANTITY	REMARKS
1	61A-85780-00-00	SENSOR, KNOCK	1	
2	61A-85790-00-00	THERMOSENSOR ASSY	1	
3	92990-10600-00	WASHER, PLATE	1	
4	90464-12M48-00	CLAMP	1	
5	61A-85895-00-00	CRANK POSITION SENDER	1	
6	97885-05012-00	SCREW, PAN HEAD	2	
7	90464-09M47-00	CLAMP	1	
8	61A-82560-00-00	THERMO SWITCH ASSY	2	
9	61A-8252U-00-00	COVER	2	
10	97080-06012-00	BOLT	2	

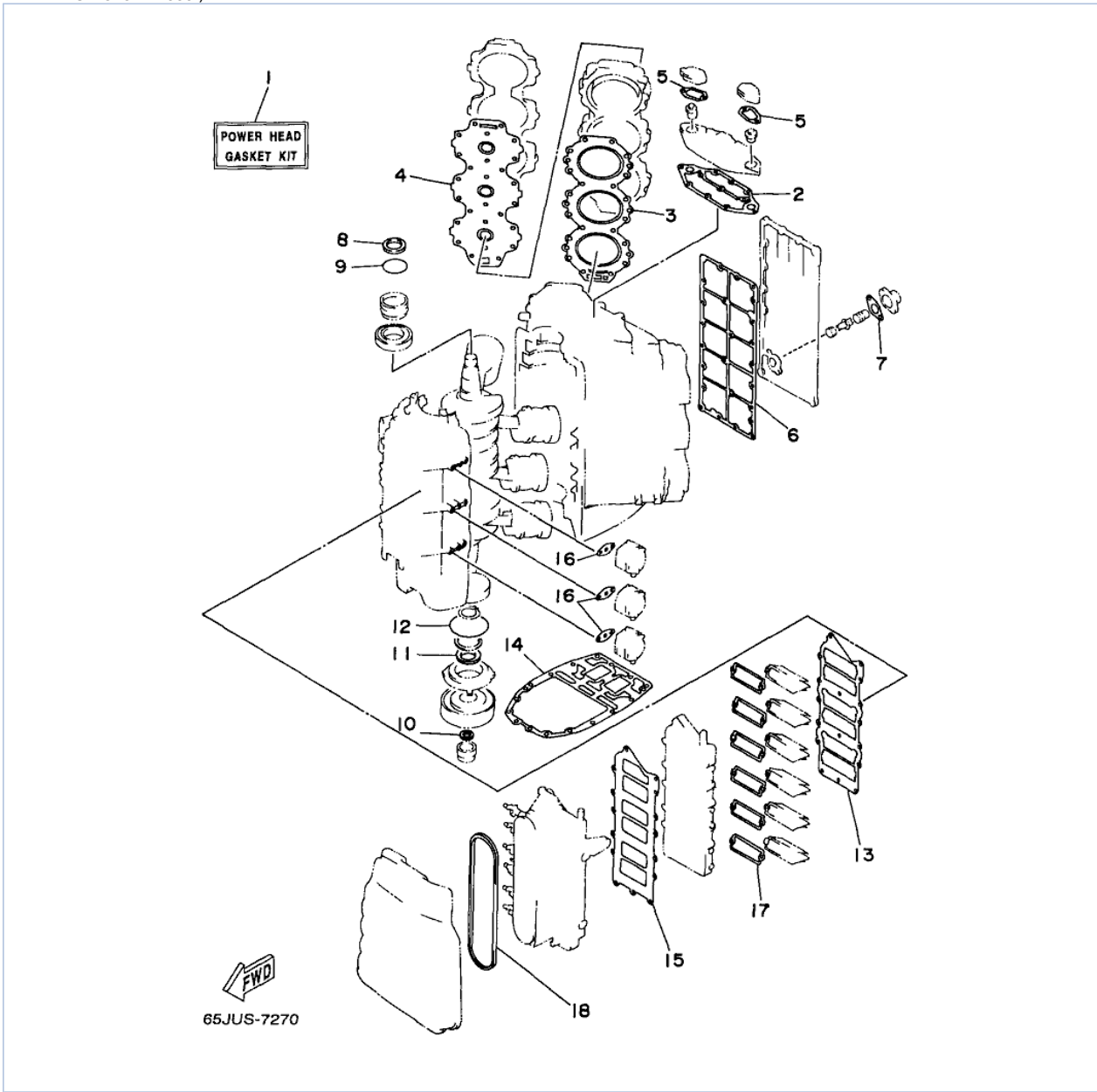
Part Notes

S225TURX 1999 / ELECTRICAL 4

PART NUMBER	NOTE TEXT
92990-10600-00 	OEM: This part number is among the Top 100 Most Popular Marine Maintenance Parts as of August 2013.

©2013 Yamaha Motor Corporation, U.S.A. All rights reserved.

S225TURX 1999 / REPAIR KIT 1



©2013 Yamaha Motor Corporation, U.S.A. All rights reserved.



Part List

S225TURX 1999 / REPAIR KIT 1

REF - NO	PART NUMBER	PART NAME	QUANTITY	REMARKS
1	65L-W0001-00-00	POWER HEAD GASKET KIT	1	
2	61A-11381-A0-00	.GASKET 1	1	
3	61A-11181-A1-00	.GASKET, CYLINDER HEAD 1	2	
4	61A-11193-A1-00	.GASKET, HEAD COVER 1	2	
5	61A-12414-A0-00	.GASKET, COVER	2	
6	61A-41112-A0-00	.GASKET, EXHAUST INNER COVER	1	
7	6G5-11382-A1-00	.GASKET 2	1	
8	93102-40M38-00	.OIL SEAL	1	
9	93210-54M54-00	.O-RING	1	
10	93104-22M07-00	.OIL SEAL	1	
11	93102-40M36-00	.OIL SEAL	1	
12	93210-81MA6-00	.O-RING	1	
13	65L-13645-00-00	.GASKET, MANIFOLD 1	2	
14	61A-45113-A0-00	.GASKET, UPPER CASING	1	
15	65L-13646-00-00	.GASKET, MANIFOLD 2	2	
16	650-24431-A0-00	.GASKET, FUEL PUMP 1	3	
17	61A-13621-A0-00	.GASKET, VALVE SEAT	6	
18	65L-14483-00-00	.GASKET	1	

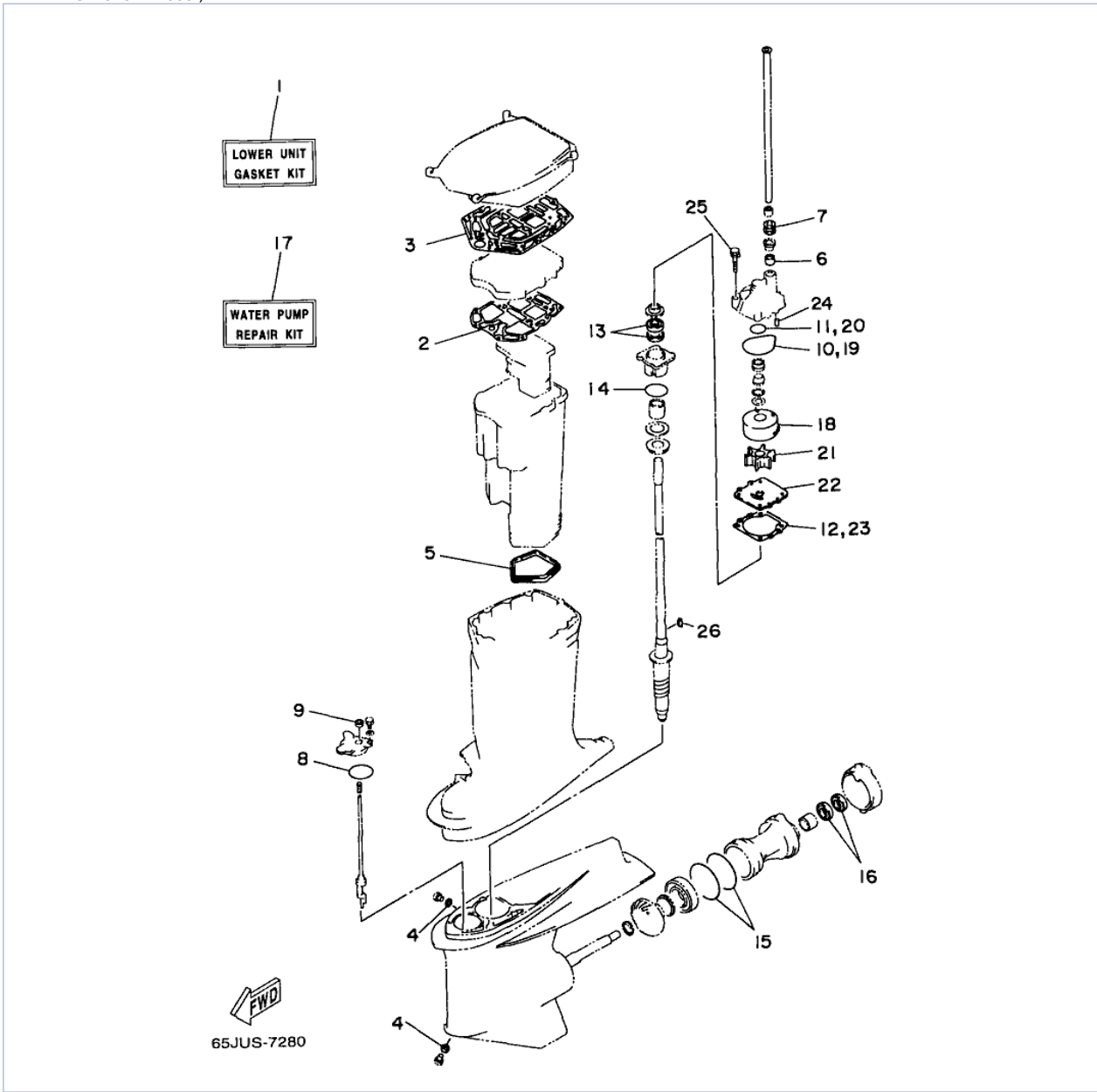
Part Notes

S225TURX 1999 / REPAIR KIT 1

PART NUMBER		NOTE TEXT
61A-12414-A0-00		OEM: This part number is among the Top 100 Most Popular Marine Maintenance Parts as of August 2013.
650-24431-A0-00		OEM: This part number is among the Top 100 Most Popular Marine Maintenance Parts as of August 2013.

©2013 Yamaha Motor Corporation, U.S.A. All rights reserved.

S225TURX 1999 / REPAIR KIT 2



©2013 Yamaha Motor Corporation, U.S.A. All rights reserved.







Part List

S225TURX 1999 / REPAIR KIT 2

REF - NO	PART NUMBER	PART NAME	QUANTITY	REMARKS
1	65L-W0001-C0-00	LOWER UNIT GASKET KIT	1	
2	61A-41134-A0-00	.GASKET, EXHAUST MANIFOLD	1	
3	61A-45114-A0-00	.GASKET, UPPER CASING	1	
4	90430-08020-00	.GASKET	2	
5	61A-45123-01-00	.GASKET, MUFFLER	1	
6	6E5-44365-00-00	.DAMPER, WATER SEAL 1	1	
7	6E5-44366-00-00	.DAMPER, WATER SEAL 2	1	
8	93210-64488-00	.O-RING	1	
9	93106-09014-00	.OIL SEAL	1	
10	93210-86M38-00	.O-RING	1	
11	93210-37160-00	.O-RING	1	
12	6E5-44315-A0-00	.GASKET, WATER PUMP	1	
13	93101-28M16-00	.OIL SEAL	2	
14	93210-55M14-00	.O-RING	1	
15	93211-04384-00	.O-RING	2	
16	93101-30M17-00	.OIL SEAL	2	
17	65L-W0078-A0-00	WATER PUMP REPAIR KIT	1	
18	61A-44322-01-00	.INSERT, CARTRIDGE	1	
19	93210-86M38-00	.O-RING	1	
20	93210-37160-00	.O-RING	1	
21	6E5-44352-00-00	.IMPELLER	1	
22	6G5-44323-00-00	.OUTER PLATE, CARTRIDGE	1	
23	6E5-44315-A0-00	.GASKET, WATER PUMP	1	
24	93606-12019-00	.PIN, DOWEL	1	
25	90119-08M14-00	.BOLT, WITH WASHER	4	
26	90280-04M05-00	.KEY, WOODRUFF	1	

Part Notes

S225TURX 1999 / REPAIR KIT 2

PART NUMBER		NOTE TEXT
90430-08020-00		OEM: This part number is among the Top 100 Most Popular Marine Maintenance Parts as of August 2013.
93106-09014-00		OEM: This part number is among the Top 100 Most Popular Marine Maintenance Parts as of August 2013.
93210-86M38-00		OEM: This part number is among the Top 100 Most Popular Marine Maintenance Parts as of August 2013.
93101-28M16-00		OEM: This part number is among the Top 100 Most Popular Marine Maintenance Parts as of August 2013.
93101-30M17-00		OEM: This part number is among the Top 100 Most Popular Marine Maintenance Parts as of August 2013.
93210-86M38-00		OEM: This part number is among the Top 100 Most Popular Marine Maintenance Parts as of August 2013.

©2013 Yamaha Motor Corporation, U.S.A. All rights reserved.

©2013 Yamaha Motor Corporation, U.S.A. All rights reserved.