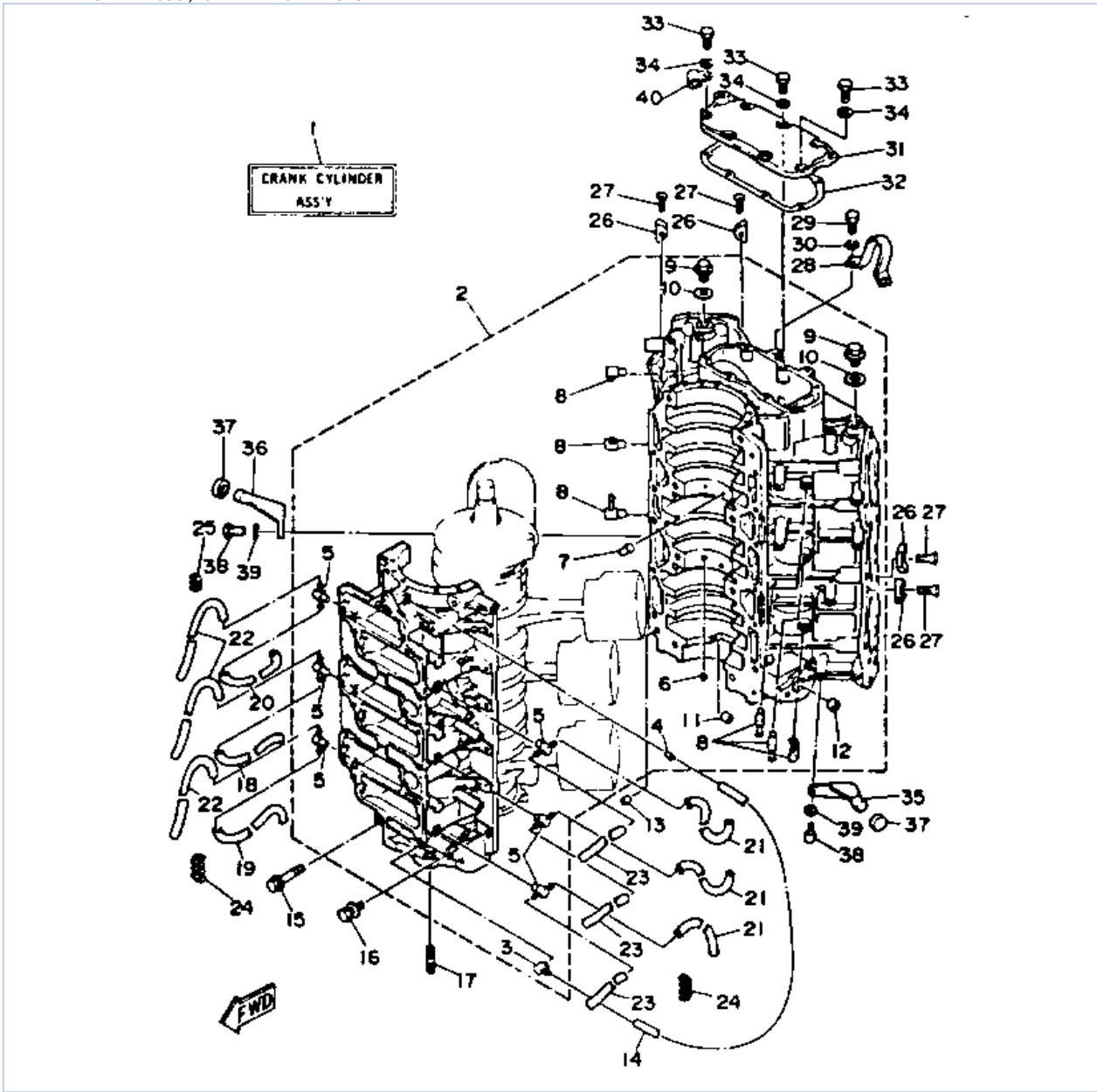


225TXRR 1993 / CYLINDER CRANKCASE 1



©2013 Yamaha Motor Corporation, U.S.A. All rights reserved.



## Part List

225TXRR 1993 / CYLINDER CRANKCASE 1

| REF - NO | PART NUMBER     | PART NAME                  | QUANTITY | REMARKS |
|----------|-----------------|----------------------------|----------|---------|
| 1        | 6R5-W0090-10-EK | CRANK CYLINDER ASSEMBLY    | 1        |         |
| 2        | 6R5-15100-01-94 | CRANKCASE ASSEMBLY         | 1        |         |
| 3        | 6E5-11372-00-00 | .NIPPLE, HOSE              | 1        |         |
| 4        | 624-14485-00-00 | .PIPE, JOINT               | 1        |         |
| 5        | 6F6-11372-00-00 | .NIPPLE, HOSE              | 6        |         |
| 6        | 624-11379-00-00 | .VALVE, CHECK              | 2        |         |
| 7        | 663-11518-01-00 | .LOCK, BEARING             | 2        |         |
| 8        | 646-11370-00-00 | .CHECK VALVE ASSY          | 6        |         |
| 9        | 90340-14M00-00  | .PLUG, STRAIGHT SCREW      | 2        |         |
| 10       | 90430-14115-00  | .GASKET                    | 2        |         |
| 11       | 90384-06M07-00  | .BUSH, BIMETAL FORMED      | 1        |         |
| 12       | 90384-14M09-00  | .BUSH, BIMETAL FORMED      | 1        |         |
| 13       | 93608-12063-00  | PIN, DOWEL                 | 2        |         |
| 14       | 90445-07M10-00  | HOSE (L510)                | 1        |         |
| 15       | 90105-10M20-00  | BOLT, FLANGE               | 8        |         |
| 16       | 90119-08M23-00  | BOLT, W/WASHER             | 12       |         |
| 17       | 90116-08M45-00  | BOLT, STUD                 | 2        |         |
| 18       | 90445-07M11-00  | HOSE (L610)                | 1        |         |
| 19       | 90445-07M09-00  | HOSE (L380)                | 1        |         |
| 20       | 90445-07240-00  | HOSE (L330)                | 1        |         |
| 21       | 90445-07MA4-00  | HOSE (L280)                | 3        |         |
| 22       | 90445-07257-00  | HOSE                       | 3        |         |
| 23       | 90445-07M03-00  | .HOSE (L34)                | 3        |         |
| 24       | 90464-07M05-00  | CLAMP                      | 2        |         |
| 25       | 90464-07M20-00  | CLAMP                      | 1        |         |
| 26       | 6E5-11325-00-00 | ANODE                      | 8        |         |
| 27       | 98680-04016-00  | SCREW OVAL HEAD            | 8        |         |
| 28       | 6E5-11119-00-00 | HANGER, ENGINE             | 1        |         |
| 29       | 97313-08020-00  | BOLT, HEXAGON              | 2        |         |
| 30       | 92990-08100-00  | WASHER, SPRING             | 2        |         |
| 31       | 6K7-11371-01-9M | COVER                      | 1        |         |
| 32       | 6E5-11381-A1-00 | GASKET 1                   | 1        |         |
| 33       | 97313-06020-00  | BOLT, HEXAGON              | 7        |         |
| 34       | 92990-06600-00  | WASHER, PLATE              | 7        |         |
| 35       | 6E5-42761-00-94 | STOPPER                    | 1        |         |
| 36       | 6E5-42762-00-94 | STOPPER                    | 1        |         |
| 37       | 663-44533-00-00 | DAMPER, UPPER MOUNT RUBBER | 2        |         |
| 38       | 97313-06020-00  | BOLT, HEXAGON              | 4        |         |
| 39       | 92990-06600-00  | WASHER, PLATE              | 4        |         |
| 40       | 90465-08028-00  | CLAMP                      | 2        |         |

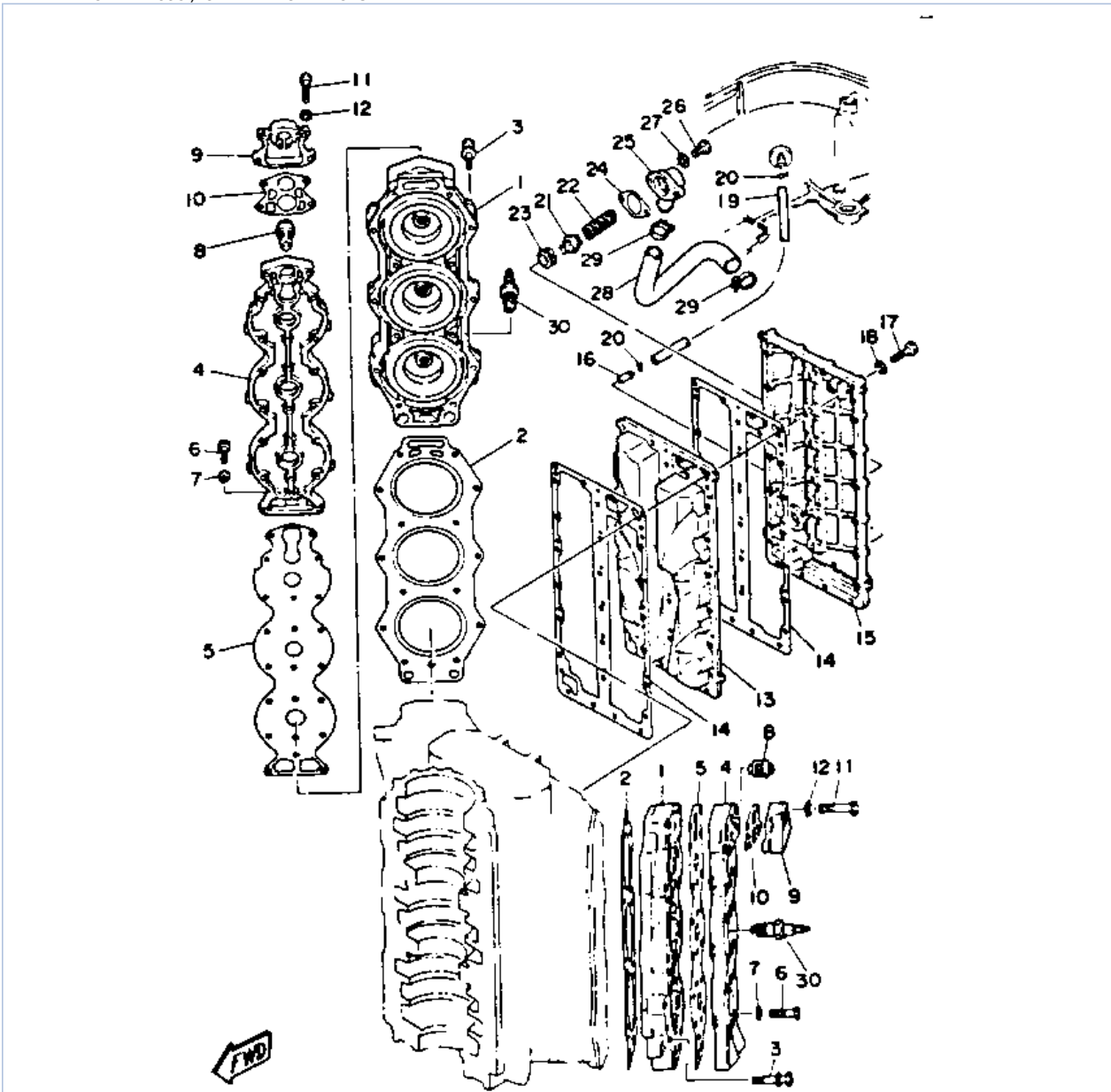
## Part Notes

225TXRR 1993 / CYLINDER CRANKCASE 1

| PART NUMBER  | NOTE TEXT   |
|--|---|
| 92990-06600-00  | OEM: This part number is among the Top 100 Most Popular Marine Maintenance Parts as of August 2013. |
| 92990-06600-00  | OEM: This part number is among the Top 100 Most Popular Marine Maintenance Parts as of August 2013. |

©2013 Yamaha Motor Corporation, U.S.A. All rights reserved.

225TXRR 1993 / CYLINDER CRANKCASE 2



©2013 Yamaha Motor Corporation, U.S.A. All rights reserved.







## Part List

225TXRR 1993 / CYLINDER CRANKCASE 2

| REF - NO | PART NUMBER     | PART NAME                      | QUANTITY | REMARKS |
|----------|-----------------|--------------------------------|----------|---------|
| 1        | 6R5-11111-01-94 | HEAD, CYLINDER 1               | 2        |         |
| 2        | 6G5-11181-A0-00 | GASKET, CYLINDER HEAD 1        | 2        |         |
| 3        | 90119-08M21-00  | BOLT, WITH WASHER              | 28       |         |
| 4        | 6G5-11191-00-9M | COVER, CYLINDER HEAD 1         | 2        |         |
| 5        | 6G5-11193-A0-00 | .GASKET, HEAD COVER 1          | 2        |         |
| 6        | 97313-06030-00  | BOLT                           | 36       |         |
| 7        | 92990-06600-00  | WASHER, PLATE                  | 36       |         |
| 8        | 6E5-12411-20-00 | THERMOSTAT                     | 2        |         |
| 9        | 6G5-12413-00-9M | COVER, THERMOSTAT              | 2        |         |
| 10       | 688-12414-A1-00 | .GASKET, COVER                 | 2        |         |
| 11       | 97313-06045-00  | BOLT, HEXAGON                  | 8        |         |
| 12       | 92990-06600-00  | WASHER, PLATE                  | 8        |         |
| 13       | 6G5-41111-00-9M | INNER COVER, EXHAUST           | 1        |         |
| 14       | 6G5-41112-A0-00 | GASKET, EXHAUST INNER COVER    | 2        |         |
| 15       | 6R3-41113-00-9M | OUTER COVER, EXHAUST           | 1        |         |
| 16       | 652-24461-00-00 | PIPE, JOINT 4                  | 1        |         |
| 17       | 97013-06035-00  | BOLT                           | 29       |         |
| 18       | 92990-06600-00  | WASHER, PLATE                  | 29       |         |
| 19       | 6E5-24312-00-00 | PIPE 2                         | 1        |         |
| 20       | 90467-08004-00  | CLIP                           | 2        |         |
| 21       | 6G5-12416-00-00 | VALVE, PRESSURE CONTROL        | 1        |         |
| 22       | 90501-16M11-00  | SPRING, COMPRESSION            | 1        |         |
| 23       | 90480-20M05-00  | GROMMET                        | 1        |         |
| 24       | 6G5-11382-A1-00 | .GASKET 2                      | 1        |         |
| 25       | 6G5-11372-00-5B | NIPPLE, HOSE (6G5-11372-00-9M) | 1        |         |
| 26       | 97313-06020-00  | BOLT, HEXAGON                  | 2        |         |
| 27       | 92990-06600-00  | WASHER, PLATE                  | 2        |         |
| 28       | 6G5-12576-00-00 | HOSE 1                         | 1        |         |
| 29       | 90465-13M36-00  | CLAMP                          | 2        |         |
| 30       | NGK-BR9HS-10-00 | PLUG, SPARK (NGK BR9HS-10)     | 6        |         |

## Part Notes

225TXRR 1993 / CYLINDER CRANKCASE 2

| PART NUMBER   | NOTE TEXT   |
|---|---|
| 92990-06600-00   | OEM: This part number is among the Top 100 Most Popular Marine Maintenance Parts as of August 2013. |
| 688-12414-A1-00  | OEM: This part number is among the Top 100 Most Popular Marine Maintenance Parts as of August 2013. |
| 92990-06600-00   | OEM: This part number is among the Top 100 Most Popular Marine Maintenance Parts as of August 2013. |
| 92990-06600-00   | OEM: This part number is among the Top 100 Most Popular Marine Maintenance Parts as of August 2013. |
| 90480-20M05-00   | OEM: This part number is among the Top 100 Most Popular Marine Maintenance Parts as of August 2013. |
| 92990-06600-00   | OEM: This part number is among the Top 100 Most Popular Marine Maintenance Parts as of August 2013. |

©2013 Yamaha Motor Corporation, U.S.A. All rights reserved.





## Part List

225TXRR 1993 / CRANKSHAFT PISTON

| REF - NO | PART NUMBER     | PART NAME                    | QUANTITY | REMARKS |
|----------|-----------------|------------------------------|----------|---------|
| 1        | 6R3-11411-00-00 | CRANKSHAFT                   | 1        |         |
| 2        | 6E5-11447-00-00 | SEAL, CRANK                  | 9        |         |
| 3        | 6R3-15163-00-94 | HOUSING, BEARING 1           | 1        |         |
| 4        | 93311-940U3-00  | BEARING                      | 1        |         |
| 5        | 93102-40M38-00  | OIL SEAL                     | 1        |         |
| 6        | 93211-04384-00  | .O-RING                      | 2        |         |
| 7        | 97313-06020-00  | BOLT, HEXAGON                | 3        |         |
| 8        | 92990-06600-00  | WASHER, PLATE                | 3        |         |
| 9        | 93310-954V3-00  | BEARING, CYLINDRICAL         | 2        |         |
| 10       | 93306-208U0-00  | BEARING                      | 1        |         |
| 11       | 93410-40M03-00  | CIRCLIP                      | 1        |         |
| 12       | 6R5-11631-11-93 | PISTON (STD)                 | 3        |         |
| 12       | 6R5-11636-11-00 | PISTON (0.50MM O/S)          | 3        | AP      |
| 13       | 6R5-11642-11-93 | PISTON 2 (STD)               | 3        |         |
| 13       | 6R5-11646-11-00 | PISTON 2 (0.50MM O/S)        | 3        | AP      |
| 14       | 6R5-11605-00-00 | PISTON RING SET (0.50MM O/S) | 6        | AP      |
| 14       | 6R5-11603-00-00 | PISTON RING SET (STD)        | 6        |         |
| 15       | 6R5-11633-10-00 | PIN, PISTON                  | 6        |         |
| 16       | 6R5-11634-10-00 | CLIP, PISTON PIN             | 12       |         |
| 17       | 6R5-11650-10-00 | CONNECTING ROD ASSY          | 6        |         |
| 18       | 90109-08M61-00  | .BOLT                        | 2        |         |
| 19       | 93310-323V6-00  | BEARING                      | 6        |         |
| 20       | 90201-23M01-00  | WASHER, PLATE                | 12       |         |
| 21       | 93310-836V2-00  | BEARING                      | 6        |         |
| 22       | 6G5-15359-00-94 | HOUSING, OIL SEAL            | 1        |         |
| 23       | 93102-35M13-00  | OIL SEAL                     | 1        |         |
| 24       | 93101-22M15-00  | .OIL SEAL                    | 1        |         |
| 25       | 93210-74M35-00  | .O-RING                      | 1        |         |
| 26       | 97395-06020-00  | BOLT, HEXAGON                | 4        |         |
| 27       | 92990-06600-00  | WASHER, PLATE                | 4        |         |

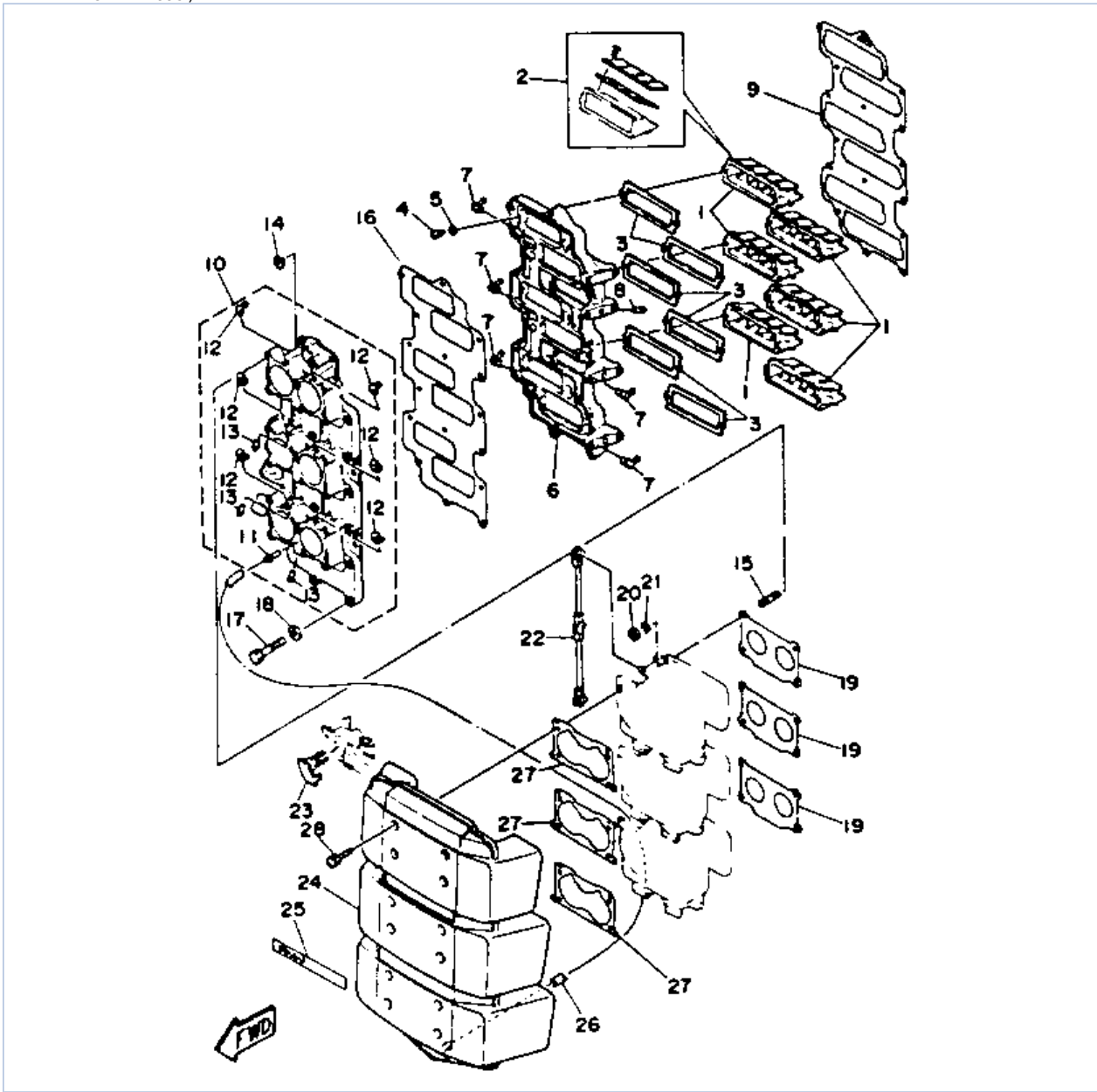
## Part Notes

225TXRR 1993 / CRANKSHAFT PISTON

| PART NUMBER  | NOTE TEXT   |
|--|---|
| 92990-06600-00  | OEM: This part number is among the Top 100 Most Popular Marine Maintenance Parts as of August 2013. |
| 92990-06600-00  | OEM: This part number is among the Top 100 Most Popular Marine Maintenance Parts as of August 2013. |

©2013 Yamaha Motor Corporation, U.S.A. All rights reserved.

225TXRR 1993 / INTAKE



©2013 Yamaha Motor Corporation, U.S.A. All rights reserved.



## Part List

225TXRR 1993 / INTAKE

| REF<br>-<br>NO | PART<br>NUMBER  | PART NAME                    | QUANTITY | REMARKS |
|----------------|-----------------|------------------------------|----------|---------|
| 1              | 6K7-13610-00-00 | REED VALVE ASSY              | 6        |         |
| 2              | 6E5-W0004-00-00 | .REED SET                    | 1        |         |
| 3              | 6K7-13621-A1-00 | .GASKET, VALVE SEAT          | 6        |         |
| 4              | 98580-05016-00  | SCREW, PAN HEAD              | 12       |         |
| 5              | 92990-05600-00  | WASHER, PLATE                | 12       |         |
| 6              | 6R5-13624-00-94 | PLATE, REED VALVE            | 1        |         |
| 7              | 688-11372-00-00 | NIPPLE, HOSE                 | 5        |         |
| 8              | 6R5-14485-00-00 | .PIPE, JOINT                 | 1        |         |
| 9              | 6K7-13646-A1-00 | GASKET, MANIFOLD 2           | 1        |         |
| 10             | 6R5-13641-00-94 | MANIFOLD 1                   | 1        |         |
| 11             | 624-14485-00-00 | .PIPE, JOINT                 | 1        |         |
| 12             | 6E5-13552-00-00 | .NOZZLE                      | 6        |         |
| 13             | 6R5-14485-00-00 | .PIPE, JOINT                 | 3        |         |
| 14             | 90480-10M28-00  | GROMMET                      | 6        |         |
| 15             | 90116-06M30-00  | BOLT, STUD                   | 12       |         |
| 16             | 6K7-13645-A1-00 | GASKET, MANIFOLD 1           | 1        |         |
| 17             | 97313-06050-00  | BOLT                         | 16       |         |
| 18             | 92990-06600-00  | WASHER, PLATE                | 16       |         |
| 19             | 6E5-14198-A1-00 | GASKET                       | 3        |         |
| 20             | 95380-06600-00  | NUT, HEXAGON                 | 12       |         |
| 21             | 92995-06100-00  | WASHER, SPRING               | 12       |         |
| 22             | 6G5-41217-01-00 | ROD, ACCEL. LEVER            | 1        |         |
| 23             | 6R5-42723-00-00 | COVER, BOTTOM                | 1        |         |
| 24             | 6K7-14440-00-00 | SILENCER ASSEMBLY,<br>INTAKE | 1        |         |
| 25             | 6G5-1441K-00-00 | EMBLEM                       | 1        |         |
| 26             | 90445-07M02-00  | HOSE (L167)                  | 1        |         |
| 27             | 6K7-14483-00-00 | GASKET                       | 3        |         |
| 28             | 90159-06M08-00  | SCREW, WITH WASHER           | 12       |         |

## Part Notes

225TXRR 1993 / INTAKE

| PART NUMBER  | NOTE TEXT   |
|--|---|
| 92990-06600-00  | OEM: This part number is among the Top 100 Most Popular Marine Maintenance Parts as of August 2013. |
| 92995-06100-00  | OEM: This part number is among the Top 100 Most Popular Marine Maintenance Parts as of August 2013. |

©2013 Yamaha Motor Corporation, U.S.A. All rights reserved.



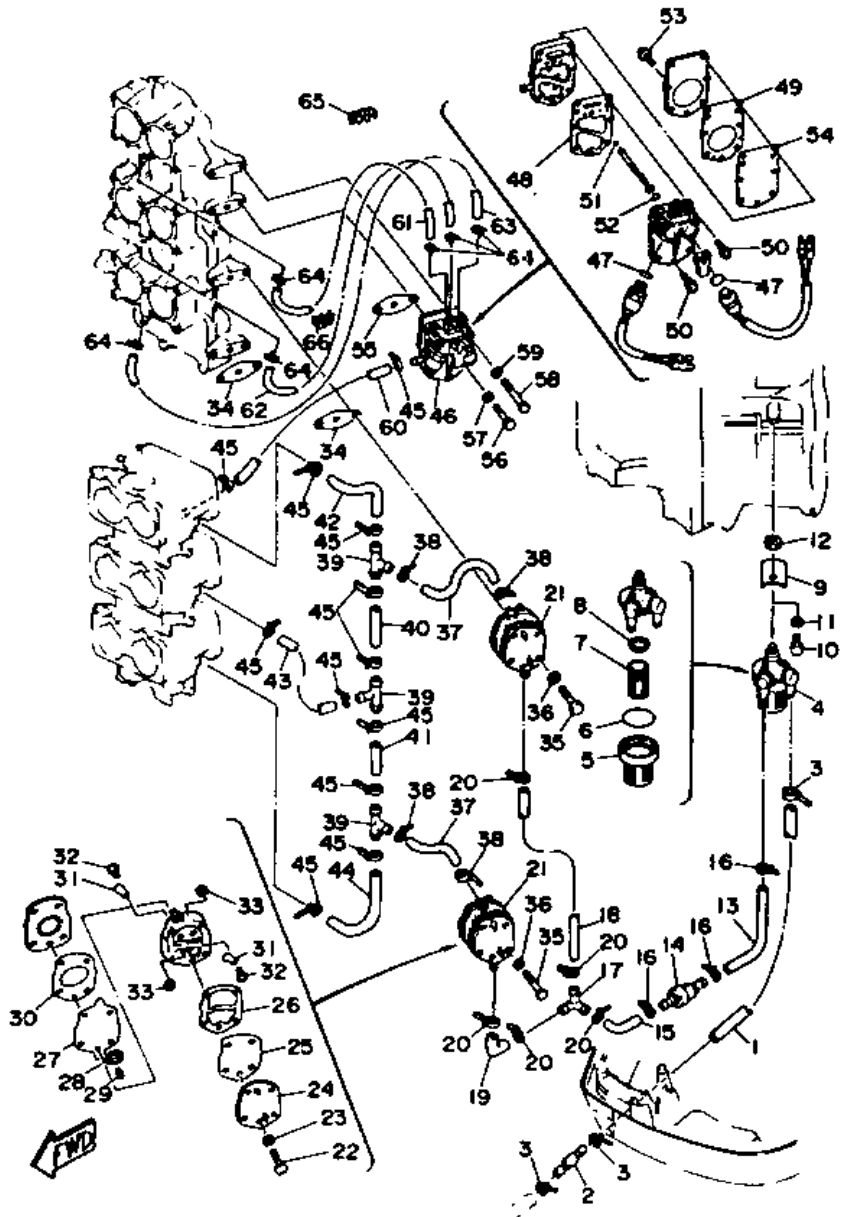


## Part List

225TXRR 1993 / CARBURETOR

| REF<br>-<br>NO | PART<br>NUMBER  | PART NAME                      | QUANTITY | REMARKS |
|----------------|-----------------|--------------------------------|----------|---------|
| 1              | 6R5-14301-01-00 | CARBURETOR ASSEMBLY 1          | 1        |         |
| 2              | 6R5-14302-01-00 | CARBURETOR ASSEMBLY 2          | 1        |         |
| 3              | 6R5-14303-01-00 | CARBURETOR ASSEMBLY 3          | 1        |         |
| 4              | 6E5-14384-03-00 | .GASKET, FLOAT CHAMBER         | 3        |         |
| 5              | 6E5-14381-03-00 | .BODY, FLOAT CHAMBER           | 3        |         |
| 6              | 6E5-14383-01-00 | .SCREW, DRAIN                  | 6        |         |
| 7              | 6J8-14995-00-00 | .GASKET                        | 6        |         |
| 8              | 6E5-14385-02-00 | .FLOAT                         | 6        |         |
| 9              | 6E5-14546-00-00 | .VALVE, NEEDLE                 | 6        |         |
| 10             | 6E5-14159-00-00 | .CLIP                          | 6        |         |
| 11             | 6E5-14386-02-00 | .PIN, FLOAT                    | 6        |         |
| 12             | 6E5-1492F-38-00 | .JET, AIR SLOW (#76)           | 6        |         |
| 13             | 6E5-14397-00-00 | .O-RING                        | 6        |         |
| 14             | 6E5-14394-00-00 | .PLUG, SLOW JET                | 6        |         |
| 15             | 6E5-1492E-77-00 | .JET, MAIN (#154)              | 6        |         |
| 16             | 6E5-14997-00-00 | .O-RING                        | 6        |         |
| 17             | 6E5-14398-01-00 | .GASKET                        | 6        |         |
| 18             | 6R5-1492A-00-00 | .NOZZLE, MAIN                  | 6        |         |
| 19             | 6E5-14321-00-00 | .SCREW, THROTTLE               | 1        | CENTER  |
| 20             | 6J8-14334-00-00 | .SPRING, THROTTLE              | 1        | CENTER  |
| 21             | 6E5-14328-01-00 | .PLUG                          | 6        |         |
| 22             | 6E5-14979-00-00 | .GASKET                        | 6        |         |
| 23             | 6E5-14323-03-00 | .SCREW, AIR ADJUSTING          | 6        |         |
| 24             | 6E5-14223-00-00 | .SPRING, AIR ADJUSTING         | 6        |         |
| 25             | 6E5-14527-01-00 | .PLATE                         | 3        |         |
| 26             | 6E5-14959-01-00 | .GASKET                        | 3        |         |
| 27             | 97980-05108-00  | .SCREW, WITH WASHER            | 3        |         |
| 28             | 98580-05016-00  | .SCREW, PAN HEAD               | 13       |         |
| 29             | 92990-05100-00  | .WASHER, SPRING                | 13       |         |
| 30             | 61A-1492H-12-00 | .JET, SLOW AIR BLEED (#60)     | 6        |         |
| 31             | 61A-1492G-38-00 | .JET, MAIN AIR BLEED<br>(#190) | 6        |         |
| 32             | 6E5-14324-00-00 | .SCREW, FLAT HEAD              | 3        |         |
| 33             | 6J8-14995-00-00 | .GASKET                        | 3        |         |

225TXRR 1993 / FUEL SYSTEM 1



©2013 Yamaha Motor Corporation, U.S.A. All rights reserved.

## Part List








225TXRR 1993 / FUEL SYSTEM 1

| REF - NO | PART NUMBER     | PART NAME            | QUANTITY | REMARKS       |
|----------|-----------------|----------------------|----------|---------------|
| 1        | 6R3-24313-10-00 | PIPE 3 (L:1620)      | 1        | UR LONG       |
| 1        | 6R3-24313-20-00 | PIPE 3 (L2820)       | 1        | UR ULTRA LONG |
| 2        | 6R3-24377-00-00 | PIPE, JOINT 2        | 1        |               |
| 3        | 90465-11M10-00  | CLAMP                | 3        |               |
| 4        | 6E5-24560-00-00 | FILTER ASSY          | 1        |               |
| 5        | 655-24521-01-00 | .CUP, FILTER         | 1        |               |
| 6        | 93210-37M25-00  | .O-RING              | 1        |               |
| 7        | 6F5-24563-00-00 | .ELEMENT, FILTER     | 1        |               |
| 8        | 655-24564-00-00 | .GASKET              | 1        |               |
| 9        | 648-24566-01-00 | BRACKET, FILTER      | 1        |               |
| 10       | 97313-06014-00  | BOLT, HEXAGON        | 1        |               |
| 11       | 92995-06100-00  | WASHER, SPRING       | 1        |               |
| 12       | 95380-08600-00  | NUT                  | 1        |               |
| 13       | 90445-13M31-00  | HOSE (L85)           | 1        |               |
| 14       | 6R5-24408-00-00 | FUEL FEED ASSY       | 1        |               |
| 15       | 6R5-24314-00-00 | PIPE 4               | 1        |               |
| 16       | 90465-11M10-00  | CLAMP                | 3        |               |
| 17       | 6G5-24376-00-00 | PIPE, JOINT 1        | 1        |               |
| 18       | 6K7-24315-00-00 | PIPE 5               | 1        |               |
| 19       | 6E5-24315-00-00 | PIPE 5               | 1        |               |
| 20       | 90465-11M10-00  | CLAMP                | 5        |               |
| 21       | 6E5-24410-03-00 | FUEL PUMP ASSY       | 2        |               |
| 22       | 98580-05035-00  | .SCREW, PAN HEAD     | 3        |               |
| 23       | 92990-05600-00  | .WASHER, PLATE       | 3        |               |
| 24       | 6E5-24413-00-00 | .BODY 2              | 1        |               |
| 25       | 6E5-24471-00-00 | .DIAPHRAGM           | 1        |               |
| 26       | 6E5-24435-00-00 | .GASKET, BODY 2      | 1        |               |
| 27       | 6E5-24411-00-00 | .DIAPHRAGM           | 1        |               |
| 28       | 648-24424-00-00 | .SEAT, SPRING        | 1        |               |
| 29       | 6E5-24423-00-00 | .SPRING, DIAPHRAGM   | 1        |               |
| 30       | 6E5-24434-02-00 | .GASKET, BODY        | 1        |               |
| 31       | 6A0-24421-01-00 | .VALVE, CHECK        | 4        |               |
| 32       | 6A0-14325-00-00 | .SCREW, PAN HEAD     | 4        |               |
| 33       | 95380-03600-00  | .NUT                 | 4        |               |
| 34       | 650-24431-A0-00 | GASKET, FUEL PUMP 1  | 2        |               |
| 35       | 97395-06050-00  | BOLT                 | 4        |               |
| 36       | 92990-06600-00  | WASHER, PLATE        | 4        |               |
| 37       | 6G5-24316-10-00 | PIPE 6               | 2        |               |
| 38       | 90465-11M10-00  | CLAMP                | 4        |               |
| 39       | 6E5-24378-00-00 | PIPE, JOINT 3        | 3        |               |
| 40       | 90445-13M03-00  | HOSE (L50)           | 1        |               |
| 41       | 90445-13M02-00  | HOSE (L40)           | 1        |               |
| 42       | 6K7-24317-00-00 | PIPE 7               | 1        |               |
| 43       | 6K7-24318-00-00 | PIPE, OVERFLOW       | 1        |               |
| 44       | 6K7-24319-00-00 | PIPE, OIL            | 1        |               |
| 45       | 90465-11M10-00  | CLAMP                | 12       |               |
| 46       | 6R5-13921-01-00 | PRIME STARTER        | 1        |               |
| 47       | 6R5-24479-00-00 | .O-RING, SEPARATER 1 | 2        |               |
| 48       | 6R5-24435-00-00 | .GASKET, BODY 2      | 1        |               |
| 49       | 6R5-24434-00-00 | .GASKET, BODY        | 1        |               |
| 50       | 97980-05125-00  | .SCREW, WITH WASHER  | 3        |               |
| 51       | 6R5-24489-00-00 | .O-RING, SEPARATER 2 | 1        |               |
| 52       | 6E5-14997-00-00 | .O-RING              | 1        |               |

|    |                 |                       |   |  |
|----|-----------------|-----------------------|---|--|
| 53 | 97980-04125-00  | .SCREW, WITH WASHER   | 2 |  |
| 54 | 6R5-24411-00-00 | .DIAPHRAGM            | 1 |  |
| 55 | 650-24431-A0-00 | GASKET, FUEL PUMP 1   | 1 |  |
| 56 | 97395-06035-00  | BOLT, HEXAGON         | 2 |  |
| 57 | 92990-06600-00  | WASHER, PLATE         | 2 |  |
| 58 | 97395-06055-00  | BOLT (97313-06055-00) | 2 |  |
| 59 | 92990-06600-00  | WASHER, PLATE         | 2 |  |
| 60 | 6R5-24316-00-00 | PIPE 6                | 1 |  |
| 61 | 90445-07M24-00  | HOSE (L240)           | 1 |  |
| 62 | 90445-07M46-00  | HOSE (L360)           | 1 |  |
| 63 | 90445-07M10-00  | HOSE (L510)           | 1 |  |
| 64 | 90468-07M02-00  | CLIP                  | 6 |  |
| 65 | 90464-07M05-00  | CLAMP                 | 1 |  |
| 66 | 90464-07M20-00  | CLAMP                 | 1 |  |

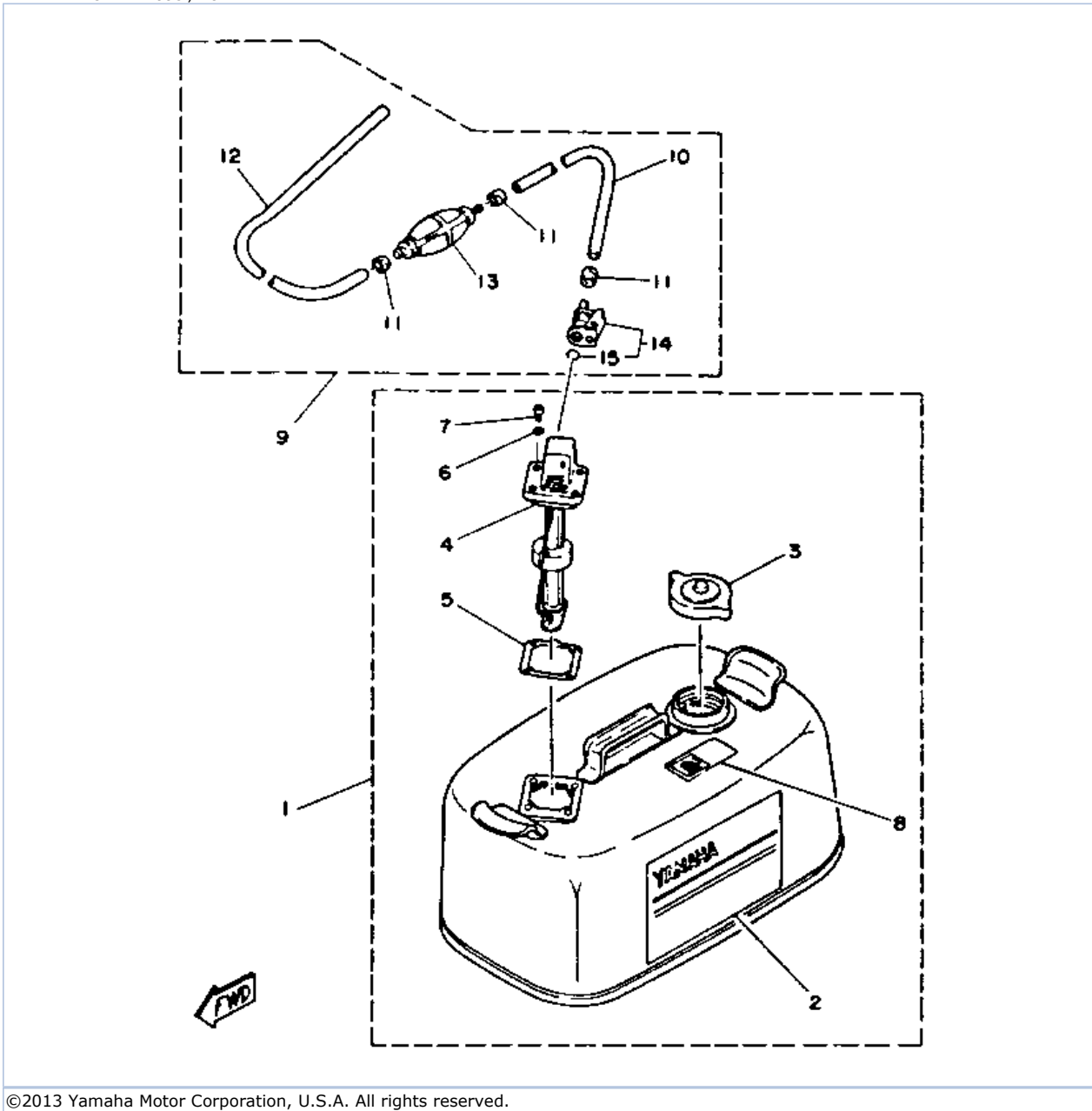
## Part Notes

225TXRR 1993 / FUEL SYSTEM 1

| PART NUMBER     |   | NOTE TEXT   |
|-----------------|---|---|
| 92995-06100-00  |    | OEM: This part number is among the Top 100 Most Popular Marine Maintenance Parts as of August 2013. |
| 6E5-24410-03-00 |    | OEM: This part number is among the Top 100 Most Popular Marine Maintenance Parts as of August 2013. |
| 650-24431-A0-00 |    | OEM: This part number is among the Top 100 Most Popular Marine Maintenance Parts as of August 2013. |
| 92990-06600-00  |    | OEM: This part number is among the Top 100 Most Popular Marine Maintenance Parts as of August 2013. |
| 650-24431-A0-00 |    | OEM: This part number is among the Top 100 Most Popular Marine Maintenance Parts as of August 2013. |
| 92990-06600-00  |   | OEM: This part number is among the Top 100 Most Popular Marine Maintenance Parts as of August 2013. |
| 92990-06600-00  |  | OEM: This part number is among the Top 100 Most Popular Marine Maintenance Parts as of August 2013. |

©2013 Yamaha Motor Corporation, U.S.A. All rights reserved.

225TXRR 1993 / FUEL TANK



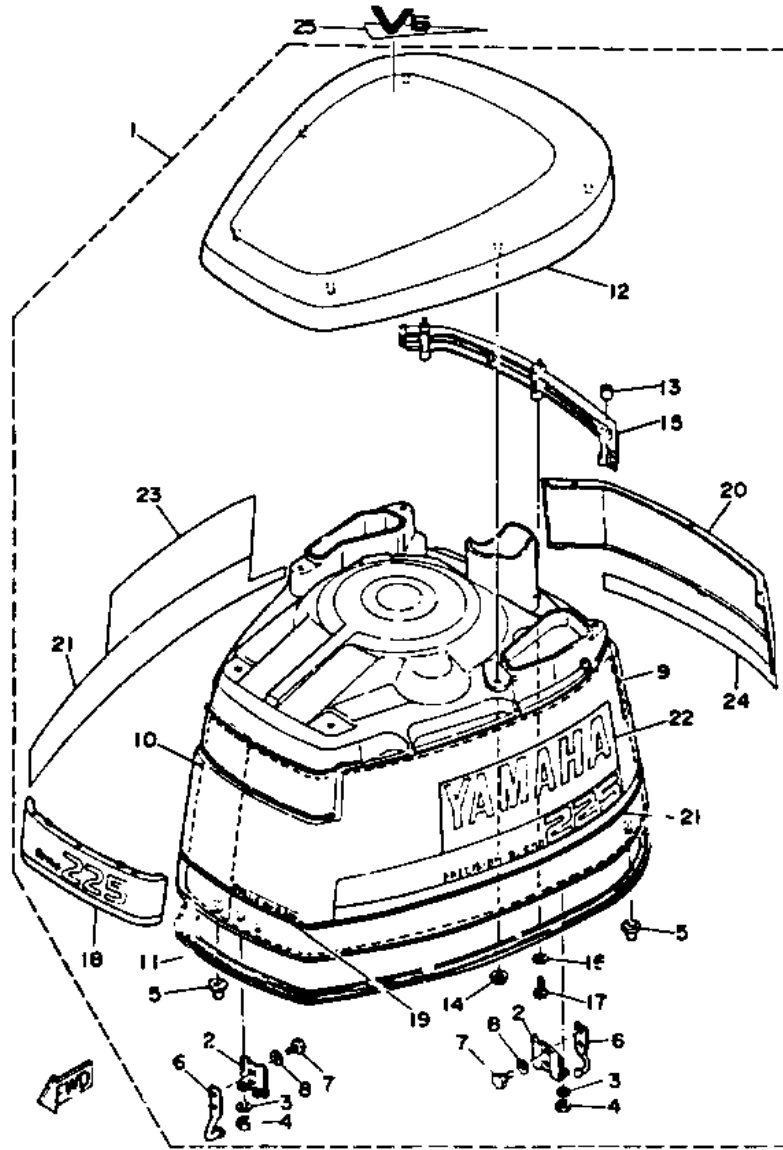
©2013 Yamaha Motor Corporation, U.S.A. All rights reserved.

## Part List

225TXRR 1993 / FUEL TANK

| REF<br>-<br>NO | PART<br>NUMBER  | PART NAME               | QUANTITY | REMARKS |
|----------------|-----------------|-------------------------|----------|---------|
| 1              | 6Y1-W2420-42-24 | FUEL TANK ASSEMBLY      | 1        |         |
| 2              | 6Y1-24244-20-00 | .GRAPHIC, SIDE          | 1        |         |
| 3              | 6Y1-24610-00-00 | .CAP ASSEMBLY           | 1        |         |
| 4              | 6Y1-24260-02-00 | .FUEL METER ASSEMBLY    | 1        |         |
| 5              | 6Y1-24268-00-00 | .GASKET, FUEL METER     | 1        |         |
| 6              | 6Y1-24329-00-00 | .SEAL                   | 4        |         |
| 7              | 98586-05016-00  | .SCREW, PAN HEAD        | 4        |         |
| 8              | 6Y1-24256-50-00 | .GRAPHIC, FUEL TANK     | 1        |         |
| 9              | 6Y2-24306-40-00 | FUEL PIPE COMP. 1       | 1        |         |
| 10             | 90445-13M01-00  | .HOSE (L2050)           | 1        |         |
| 11             | 6E5-24351-51-00 | .BAND 1                 | 3        |         |
| 12             | 90445-13M35-00  | .HOSE (L250)            | 1        |         |
| 13             | 6Y2-24360-51-00 | .PRIMER PUMP ASSY       | 1        |         |
| 14             | 6Y2-24305-02-00 | .FUEL PIPE JOINT COMP 2 | 1        |         |
| 15             | 93210-08287-00  | ..O-RING                | 1        |         |

225TXRR 1993 / TOP COWLING



©2013 Yamaha Motor Corporation, U.S.A. All rights reserved.





## Part List

225TXRR 1993 / TOP COWLING

| REF<br>-<br>NO | PART<br>NUMBER  | PART NAME            | QUANTITY | REMARKS |
|----------------|-----------------|----------------------|----------|---------|
| 1              | 6R5-42610-71-EK | TOP COWLING ASSEMBLY | 1        |         |
| 2              | 6R3-42647-00-00 | .HOLDER, CLAMP BAND  | 2        |         |
| 3              | 92995-06100-00  | .WASHER, SPRING      | 4        |         |
| 4              | 95380-06600-00  | .NUT, HEXAGON        | 4        |         |
| 5              | 6R3-42662-00-00 | .DAMPER              | 3        |         |
| 6              | 6R3-42814-00-00 | .HOOK, CLAMP         | 2        |         |
| 7              | 97395-06012-00  | .BOLT                | 4        |         |
| 8              | 92990-06600-00  | .WASHER, PLATE       | 4        |         |
| 9              | 6R3-42619-00-00 | .DAMPER, FORM        | 1        |         |
| 10             | 6R3-42627-00-00 | .DAMPER, FORM        | 1        |         |
| 11             | 6R3-42615-01-00 | .SEAL                | 1        |         |
| 12             | 6R3-42613-00-EK | .MOLDING, AIR DUCT   | 1        |         |
| 13             | 90385-04M05-00  | .BUSH                | 3        |         |
| 14             | 90179-06M24-00  | .NUT                 | 6        |         |
| 15             | 6R3-42636-00-00 | .LOUVER 2            | 1        |         |
| 16             | 92990-04600-00  | .WASHER, PLATE       | 3        |         |
| 17             | 97780-40120-00  | .SCREW, TAPPING      | 3        |         |
| 18             | 6R5-42686-00-00 | .EMBLEM, FRONT       | 1        |         |
| 19             | 6R3-42677-40-00 | .GRAPHIC, FRONT      | 1        |         |
| 20             | 6R5-42687-00-00 | .EMBLEM, REAR        | 1        |         |
| 21             | 6R5-W0070-40-00 | .GRAPHIC SET         | 1        |         |
| 22             | 6R3-42681-40-00 | .MARK, COWLING 1     | 1        |         |
| 23             | 6R3-42682-40-00 | .MARK, COWLING 2     | 1        |         |
| 24             | 6R3-42678-40-00 | .GRAPHIC, REAR       | 1        |         |
| 25             | 6R3-42683-40-00 | MARK, COWLING        | 1        |         |

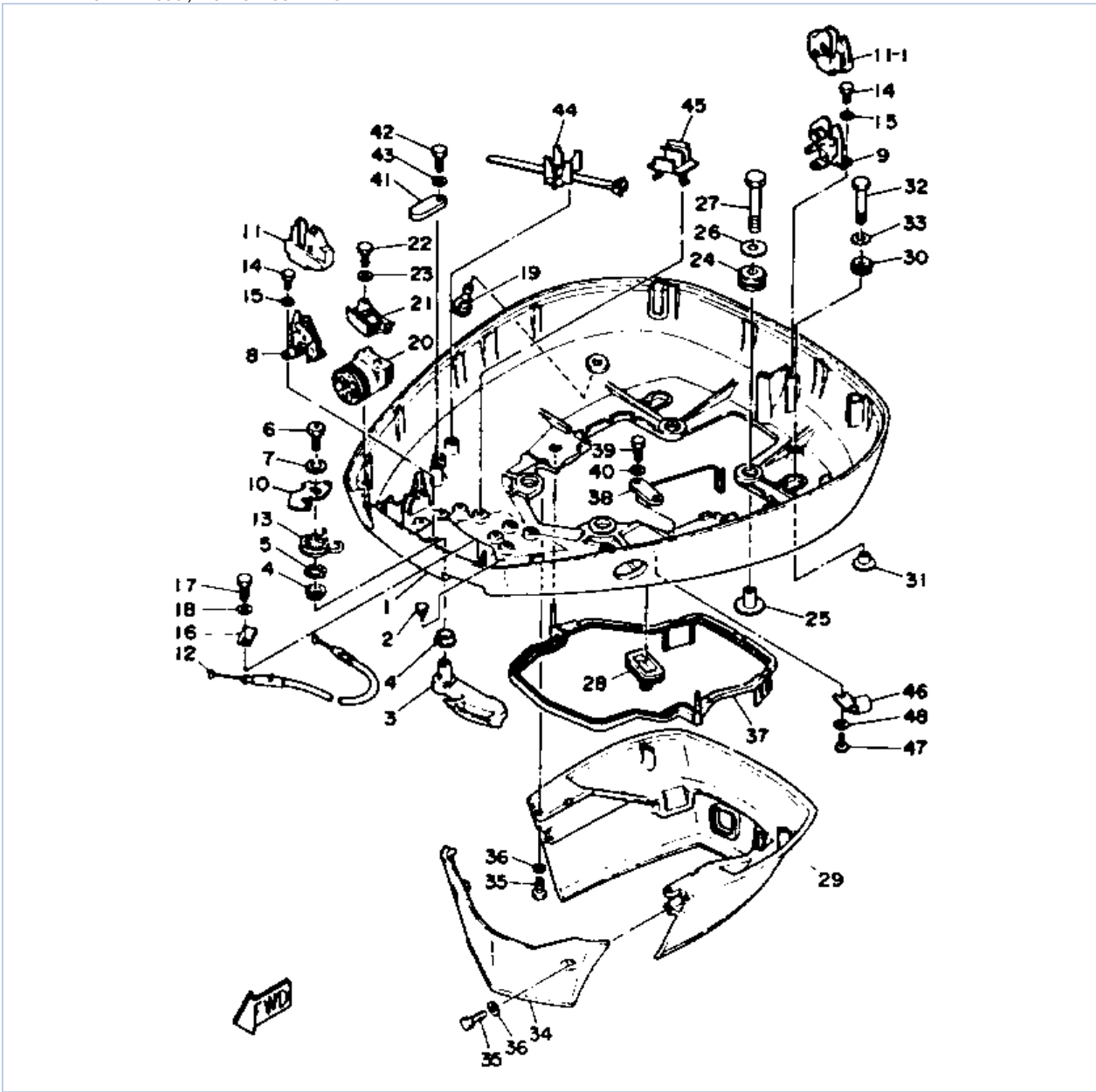
## Part Notes

225TXRR 1993 / TOP COWLING

| PART NUMBER    |   | NOTE TEXT   |
|----------------|---|---|
| 92995-06100-00 |  | OEM: This part number is among the Top 100 Most Popular Marine Maintenance Parts as of August 2013. |
| 92990-06600-00 |  | OEM: This part number is among the Top 100 Most Popular Marine Maintenance Parts as of August 2013. |

©2013 Yamaha Motor Corporation, U.S.A. All rights reserved.

225TXRR 1993 / BOTTOM COWLING



©2013 Yamaha Motor Corporation, U.S.A. All rights reserved.

## Part List

225TXRR 1993 / BOTTOM COWLING

| REF<br>-<br>NO | PART<br>NUMBER  | PART NAME           | QUANTITY | REMARKS |
|----------------|-----------------|---------------------|----------|---------|
| 1              | 6R3-42711-40-EK | BOTTOM COWLING      | 1        |         |
| 1              | 61A-42851-00-00 | COVER, CLAMP        | 1        |         |
| 2              | 6H4-42748-00-00 | GROMMET             | 1        |         |
| 3              | 6R3-42815-00-EK | LEVER, CLAMP 1      | 1        |         |
| 4              | 90386-13M88-00  | BUSH                | 2        |         |
| 5              | 90206-13M10-00  | WASHER, WAVE        | 1        |         |
| 6              | 90109-08M45-00  | BOLT                | 1        |         |
| 7              | 92990-08200-00  | WASHER, PLAIN       | 1        |         |
| 8              | 6R3-42824-00-00 | BASE, CLAMP LEVER   | 1        |         |
| 9              | 6R3-42811-00-00 | STAY                | 1        |         |
| 10             | 6R3-42816-00-00 | LEVER, CLAMP        | 1        |         |
| 11             | 6R3-42851-00-00 | COVER, CLAMP        | 1        |         |
| 12             | 6R3-42850-00-00 | WIRE, COMPLETE      | 1        |         |
| 13             | 6R3-42813-00-00 | SPRING, CLAMP LEVER | 1        |         |
| 14             | 97395-06016-00  | BOLT                | 4        |         |
| 15             | 92990-06600-00  | WASHER, PLATE       | 4        |         |
| 16             | 6R3-42828-00-00 | PLATE, CLAMP        | 1        |         |
| 17             | 97395-06010-00  | BOLT                | 1        |         |
| 18             | 92990-06600-00  | WASHER, PLATE       | 1        |         |
| 19             | 6E5-44391-00-00 | NIPPLE, HOSE        | 1        |         |
| 20             | 6R3-42725-20-00 | GROMMET             | 1        |         |
| 21             | 6R3-42738-01-5B | PLATE, FITTING      | 1        |         |
| 22             | 97395-06016-00  | BOLT                | 2        |         |
| 23             | 92990-06600-00  | WASHER, PLATE       | 2        |         |
| 24             | 90480-22M15-00  | GROMMET             | 4        |         |
| 25             | 90387-08M37-00  | COLLAR              | 4        |         |
| 26             | 90201-08M54-00  | WASHER, PLATE       | 4        |         |
| 27             | 97090-08035-00  | BOLT                | 4        |         |
| 28             | 688-42726-10-00 | GROMMET             | 1        |         |
| 29             | 6R3-42741-00-EK | APRON 1             | 1        |         |
| 30             | 90480-14M45-00  | GROMMET             | 2        |         |
| 31             | 90387-06M52-00  | COLLAR              | 2        |         |
| 32             | 97395-06025-00  | BOLT                | 2        |         |
| 33             | 90201-06M02-00  | WASHER, PLATE       | 2        |         |
| 34             | 6R3-42771-00-EK | APRON 2             | 1        |         |
| 35             | 97395-06020-00  | BOLT, HEXAGON       | 4        |         |
| 36             | 92990-06600-00  | WASHER, PLATE       | 4        |         |
| 37             | 6E5-42716-00-00 | RUBBER, SEAL 1      | 1        |         |
| 38             | 6K7-82588-00-00 | PLATE               | 1        |         |
| 39             | 97395-06020-00  | BOLT, HEXAGON       | 1        |         |
| 40             | 92990-06600-00  | WASHER, PLATE       | 1        |         |
| 41             | 6E5-82588-00-00 | PLATE               | 1        |         |
| 42             | 97395-06020-00  | BOLT, HEXAGON       | 1        |         |
| 43             | 92990-06600-00  | WASHER, PLATE       | 1        |         |
| 44             | 688-82594-00-00 | CLAMP               | 1        |         |
| 45             | 6E5-82594-00-00 | CLAMP               | 4        |         |
| 46             | 6E5-24367-10-00 | CLAMP, FUEL PIPE 2  | 1        |         |
| 47             | 90157-06M01-00  | SCREW, PAN HEAD     | 1        |         |
| 48             | 92990-06600-00  | WASHER, PLATE       | 1        |         |

## Part Notes

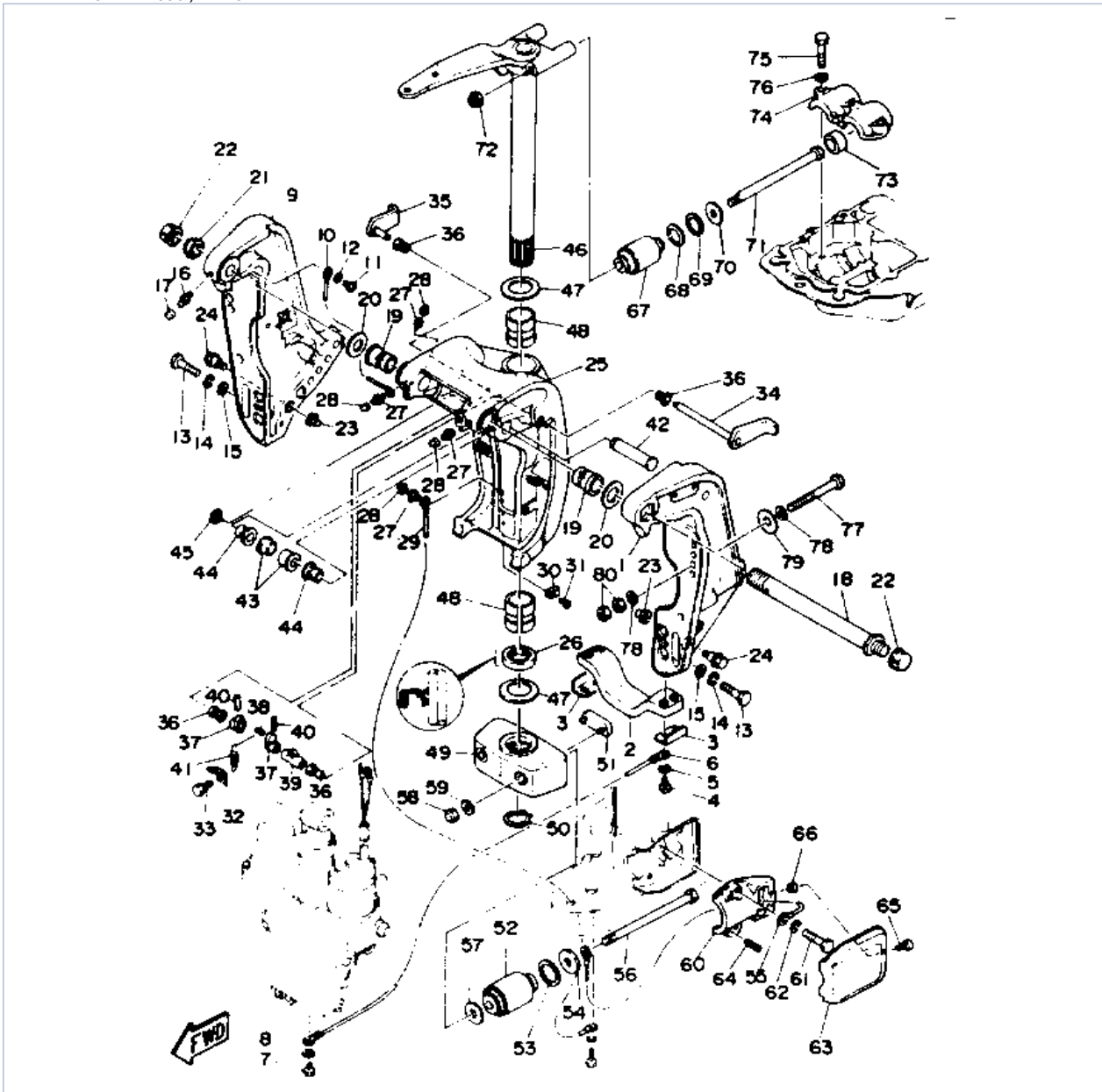
225TXRR 1993 / BOTTOM COWLING

| PART NUMBER | NOTE TEXT |
|-------------|-----------|
|-------------|-----------|

|                |   |   |
|----------------|---|---|
| 92990-06600-00 |  | OEM: This part number is among the Top 100 Most Popular Marine Maintenance Parts as of August 2013. |
| 92990-06600-00 |  | OEM: This part number is among the Top 100 Most Popular Marine Maintenance Parts as of August 2013. |
| 92990-06600-00 |  | OEM: This part number is among the Top 100 Most Popular Marine Maintenance Parts as of August 2013. |
| 92990-06600-00 |  | OEM: This part number is among the Top 100 Most Popular Marine Maintenance Parts as of August 2013. |
| 92990-06600-00 |  | OEM: This part number is among the Top 100 Most Popular Marine Maintenance Parts as of August 2013. |
| 92990-06600-00 |  | OEM: This part number is among the Top 100 Most Popular Marine Maintenance Parts as of August 2013. |
| 92990-06600-00 |  | OEM: This part number is among the Top 100 Most Popular Marine Maintenance Parts as of August 2013. |

©2013 Yamaha Motor Corporation, U.S.A. All rights reserved.

225TXRR 1993 / BRACKET 1



©2013 Yamaha Motor Corporation, U.S.A. All rights reserved.

## Part List







225TXRR 1993 / BRACKET 1

| REF<br>-<br>NO | PART<br>NUMBER  | PART NAME              | QUANTITY | REMARKS       |
|----------------|-----------------|------------------------|----------|---------------|
| 1              | 6G5-43111-01-EK | BRACKET CLAMP          | 1        |               |
| 2              | 6G5-45251-01-00 | ANODE                  | 1        |               |
| 3              | 6G5-44526-00-00 | PLATE                  | 2        |               |
| 4              | 97395-06030-00  | BOLT                   | 4        |               |
| 5              | 92995-06100-00  | WASHER, SPRING         | 4        |               |
| 6              | 6E5-82148-00-00 | WIRE, LEAD 4           | 1        |               |
| 7              | 97395-06010-00  | BOLT                   | 1        |               |
| 8              | 92990-06600-00  | WASHER, PLATE          | 1        |               |
| 9              | 6G5-43112-02-EK | BRACKET, CLAMP         | 1        |               |
| 10             | 6E5-82148-00-00 | WIRE, LEAD 4           | 1        |               |
| 11             | 98580-06012-00  | SCREW, PAN HEAD        | 1        |               |
| 12             | 92990-06600-00  | WASHER, PLATE          | 1        |               |
| 13             | 97395-10050-00  | BOLT                   | 6        |               |
| 14             | 92990-10100-00  | WASHER, SPRING         | 6        |               |
| 15             | 92990-10600-00  | WASHER, PLATE          | 6        |               |
| 16             | 93700-06M03-00  | NIPPLE, GREASE         | 1        |               |
| 17             | 663-45119-00-00 | CAP, GREASE NIPPLE     | 1        |               |
| 18             | 6E5-43131-02-00 | BOLT, CLAMP BRACKET    | 1        |               |
| 19             | 90386-25M31-00  | BUSH                   | 2        |               |
| 20             | 90201-26M59-00  | WASHER, PLATE          | 2        |               |
| 21             | 90185-22043-00  | NUT, SELF-LOCKING      | 1        |               |
| 22             | 6G5-43145-00-00 | CAP, CLAMP BRACKET     | 2        |               |
| 23             | 6G5-43164-00-00 | ROD, TILT LOCK         | 2        |               |
| 24             | 90109-12M35-00  | BOLT                   | 2        |               |
| 25             | 6G5-43311-00-EK | BRACKET, SWIVEL        | 1        | UR LONG       |
| 25             | 6G5-43311-20-EK | BRACKET, SWIVEL        | 1        | UR ULTRA LONG |
| 26             | 93109-38M02-00  | OIL SEAL               | 1        |               |
| 27             | 93700-06M03-00  | NIPPLE, GREASE         | 5        |               |
| 28             | 663-45119-00-00 | CAP, GREASE NIPPLE     | 5        |               |
| 29             | 6E5-82147-00-00 | WIRE, LEAD 5           | 1        | UR LONG       |
| 29             | 6E5-82147-20-00 | WIRE, LEAD 5           | 1        | UR ULTRA LONG |
| 30             | 90464-11M18-00  | CLAMP                  | 1        |               |
| 31             | 98580-04008-00  | .SCREW, PAN HEAD       | 1        |               |
| 32             | 6G5-43144-00-00 | HOOK, SPRING           | 1        |               |
| 33             | 97395-06010-00  | BOLT                   | 1        |               |
| 34             | 6G5-43181-02-00 | LEVER, TILT STOP 1     | 1        |               |
| 35             | 6G5-43185-02-00 | LEVER, TILT STOP 2     | 1        |               |
| 36             | 90386-10M16-00  | BUSH                   | 4        |               |
| 37             | 6G5-43148-00-00 | COLLAR, DISTANCE       | 2        |               |
| 38             | 90249-06M19-00  | PIN                    | 1        |               |
| 39             | 90387-10M02-00  | COLLAR                 | 1        |               |
| 40             | 91690-30020-00  | PIN, SPRING            | 2        |               |
| 41             | 90506-14M24-00  | SPRING, TENSION        | 1        |               |
| 42             | 6E5-43126-02-00 | PIN, UPPER SHOCK MOUNT | 1        |               |
| 43             | 90386-18M63-00  | BUSH                   | 2        |               |
| 44             | 90386-18M14-00  | BUSH                   | 2        |               |
| 45             | 93410-18M02-00  | CIRCLIP                | 1        |               |
| 46             | 6E5-42510-03-EK | STEERING BRACKET ASSY  | 1        | UR LONG       |
| 46             | 6E5-42510-23-EK | STEERING BRACKET ASSY  | 1        | UR ULTRA LONG |
| 47             | 90201-38M60-00  | WASHER, PLATE          | 2        |               |
| 48             | 90386-38M32-00  | BUSH                   | 2        |               |
| 49             | 6G5-44551-00-EK | HOUSING, LOWER MOUNT   | 1        |               |
| 50             | 93410-37M04-00  | CIRCLIP                | 1        |               |

|    |                 |                             |   |    |
|----|-----------------|-----------------------------|---|----|
| 51 | 6E5-44575-00-00 | DAMPER, LOWER MOUNT RUBBER  | 1 |    |
| 52 | 6G5-44555-00-94 | MOUNT DAMPER, LOWER SIDE    | 2 |    |
| 53 | 90202-32M19-00  | WASHER, PLATE               | 2 |    |
| 54 | 90201-16M55-00  | WASHER, PLATE               | 2 |    |
| 55 | 6E5-82149-00-00 | WIRE, LEAD 3                | 1 |    |
| 56 | 90109-14M34-00  | BOLT                        | 2 |    |
| 57 | 90201-15M58-00  | WASHER, PLATE               | 2 |    |
| 58 | 95380-14800-00  | NUT                         | 2 |    |
| 59 | 92990-14600-00  | WASHER                      | 2 |    |
| 60 | 6E5-44552-00-94 | HOUSING, LOWER MOUNT RUBBER | 2 |    |
| 61 | 97395-10045-00  | BOLT                        | 4 |    |
| 62 | 92990-10100-00  | WASHER, SPRING              | 4 |    |
| 63 | 6E5-44553-00-EK | COVER, LOWER MOUNT          | 2 |    |
| 64 | 90501-16M28-00  | SPRING, COMPRESSION         | 4 |    |
| 65 | 98580-06016-00  | SCREW, PAN HEAD             | 2 |    |
| 66 | 90179-06066-00  | NUT                         | 2 |    |
| 67 | 6G5-44514-00-94 | MOUNT DAMPER, UPPER SIDE    | 2 |    |
| 68 | 90201-26M57-00  | WASHER, PLATE               | 2 |    |
| 69 | 90202-26M18-00  | WASHER, PLATE               | 2 |    |
| 70 | 90201-14M56-00  | WASHER, PLATE               | 2 |    |
| 71 | 90109-12M37-00  | BOLT                        | 2 |    |
| 72 | 90185-12058-00  | NUT, SELF-LOCKING           | 2 |    |
| 73 | 663-44575-00-00 | DAMPER, LOWER MOUNT RUBBER  | 2 |    |
| 74 | 6E5-44511-00-5B | COVER, UPPER MOUNT          | 1 |    |
| 75 | 97395-10045-00  | BOLT                        | 3 |    |
| 76 | 92990-10100-00  | WASHER, SPRING              | 3 |    |
| 77 | 90101-12M03-00  | BOLT (L:115MM)              | 4 | UR |
| 77 | 90101-12M02-00  | BOLT (L:130MM)              | 4 | UR |
| 78 | 90201-13M01-00  | WASHER, PLATE               | 8 |    |
| 79 | 90201-12426-00  | WASHER, PLATE               | 4 |    |
| 80 | 95380-12600-00  | NUT                         | 8 |    |

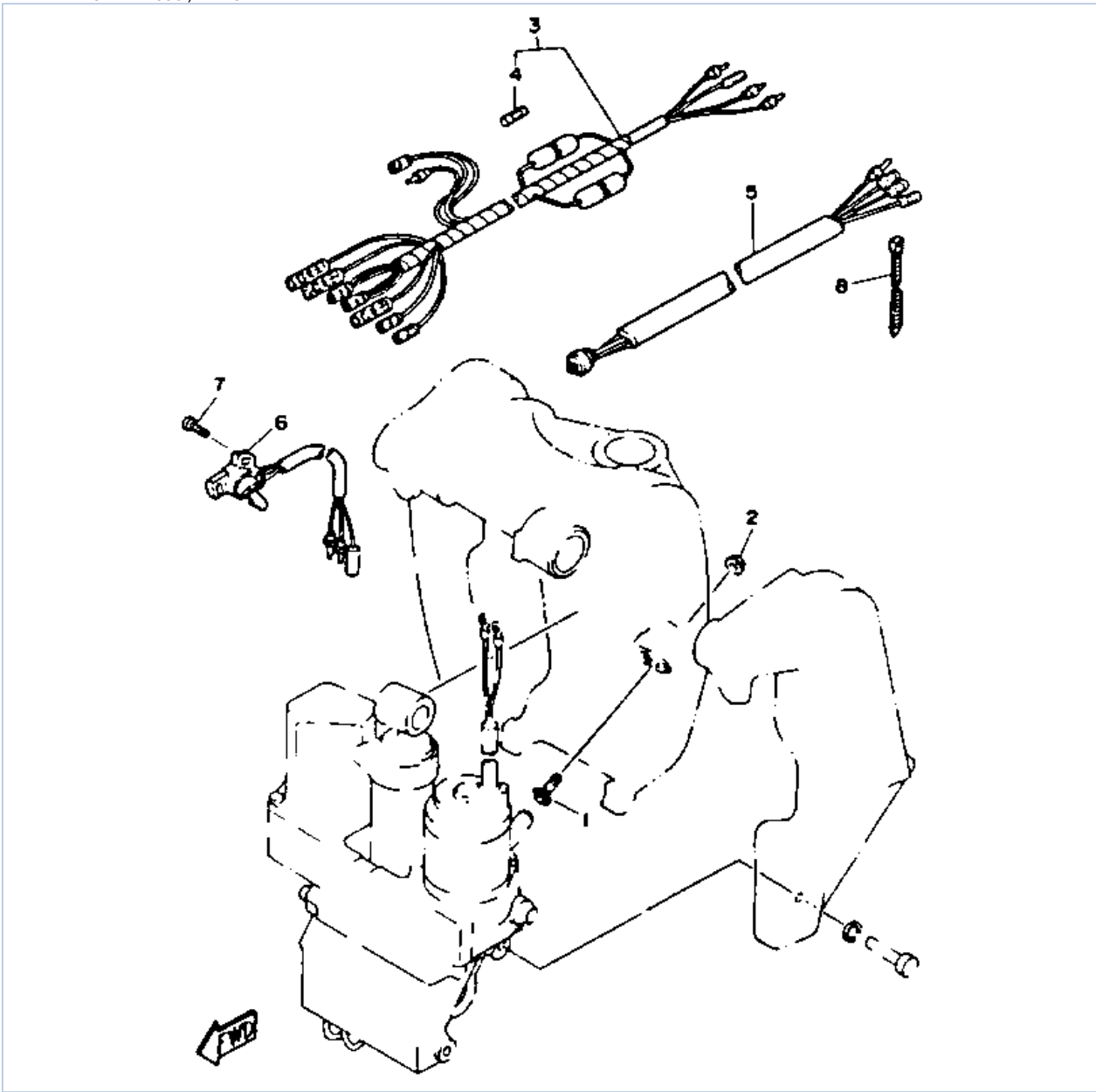
## Part Notes

225TXRR 1993 / BRACKET 1

| PART NUMBER    |   | NOTE TEXT   |
|----------------|---|---|
| 92995-06100-00 |  | OEM: This part number is among the Top 100 Most Popular Marine Maintenance Parts as of August 2013. |
| 92990-06600-00 |  | OEM: This part number is among the Top 100 Most Popular Marine Maintenance Parts as of August 2013. |
| 92990-06600-00 |  | OEM: This part number is among the Top 100 Most Popular Marine Maintenance Parts as of August 2013. |
| 92990-10600-00 |  | OEM: This part number is among the Top 100 Most Popular Marine Maintenance Parts as of August 2013. |
| 93700-06M03-00 |  | OEM: This part number is among the Top 100 Most Popular Marine Maintenance Parts as of August 2013. |
| 93700-06M03-00 |  | OEM: This part number is among the Top 100 Most Popular Marine Maintenance Parts as of August 2013. |

©2013 Yamaha Motor Corporation, U.S.A. All rights reserved.

225TXRR 1993 / BRACKET 2



©2013 Yamaha Motor Corporation, U.S.A. All rights reserved.

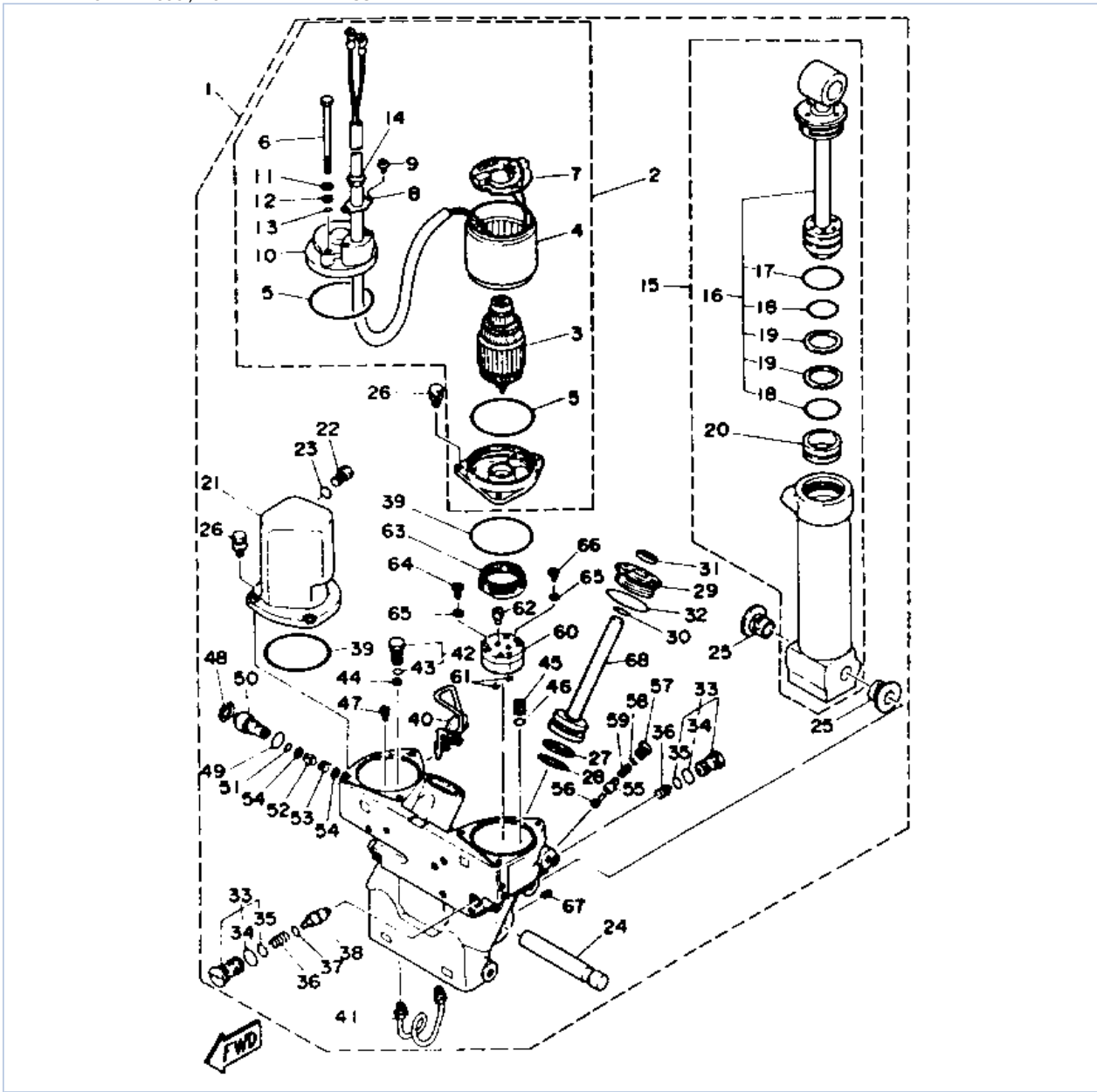


## Part List

225TXRR 1993 / BRACKET 2

| REF<br>-<br>NO | PART<br>NUMBER  | PART NAME             | QUANTITY | REMARKS       |
|----------------|-----------------|-----------------------|----------|---------------|
| 1              | 6G5-43376-00-00 | BOLT, THRUST RECEIVER | 2        |               |
| 2              | 95780-10300-00  | NUT, FLANGE           | 2        |               |
| 3              | 6Y5-83553-M0-00 | WIRE, LEAD (L=2.5M)   | 1        |               |
| 4              | 1E6-82151-00-00 | .FUSE (10A)           | 2        |               |
| 5              | 6N7-82553-00-00 | EXTENSION, WIRE       | 1        | UR LONG       |
| 5              | 6N7-82553-10-00 | EXTEN, WIRE HARNESS   | 1        | UR ULTRA LONG |
| 6              | 6R3-83672-01-00 | TRIM SENDER           | 1        |               |
| 7              | 98580-06016-00  | SCREW, PAN HEAD       | 2        |               |
| 8              | 90465-11M10-00  | CLAMP                 | 3        |               |

225TXRR 1993 / POWER TRIM TILT ASSEMBLY



©2013 Yamaha Motor Corporation, U.S.A. All rights reserved.

## Part List


225TXRR 1993 / POWER TRIM TILT ASSEMBLY

| REF<br>-<br>NO | PART<br>NUMBER  | PART NAME                                      | QUANTITY | REMARKS |
|----------------|-----------------|--|----------|---------|
| 1              | 6G5-43800-05-EK | PWR.TRIM&TILT ASSEMBLY                         | 1        |         |
| 2              | 6G5-43880-02-00 | .MOTOR ASSEMBLY                                | 1        |         |
| 3              | 6G5-43805-01-00 | ..ARMATURE ASSEMBLY                            | 1        |         |
| 4              | 6G5-43804-00-00 | ..STATOR ASSY                                  | 1        |         |
| 5              | 6G5-43865-00-00 | ..O-RING                                       | 2        |         |
| 6              | 6G5-43887-00-00 | ..BOLT, THROUGH                                | 2        |         |
| 7              | 6G5-43806-00-00 | ..BRUSH, HOLDER ASSY                           | 1        |         |
| 8              | 6G5-43899-00-00 | ..PLATE, STOPPER                               | 1        |         |
| 9              | 6G5-43886-00-00 | ..BOLT   | 2        |         |
| 10             | 6G5-43884-00-00 | ..FRAME, COMMUTATOR END                        | 1        |         |
| 11             | 6G5-43893-00-00 | ..WASHER                                       | 2        |         |
| 12             | 6G5-43889-10-00 | ..PLATE SEAT                                   | 2        |         |
| 13             | 6G5-43867-00-00 | ..O-RING                                       | 2        |         |
| 14             | 6G5-43885-00-00 | ..GROMMET                                      | 1        |         |
| 15             | 6G5-4380E-01-00 | .TILT CYLINDER ASSEMBLY                        | 1        |         |
| 16             | 6G5-43810-00-00 | ..PISTON SUB ASSEMBLY                          | 1        |         |
| 17             | 6E5-43861-00-00 | ..O-RING                                       | 1        |         |
| 18             | 6G5-43862-00-00 | ..O-RING                                       | 2        |         |
| 19             | 6E5-43872-00-00 | ..RING, BACK UP                                | 2        |         |
| 20             | 6E5-43814-02-00 | ..PISTON, FREE                                 | 1        |         |
| 21             | 6G5-43828-00-00 | .BODY, RESERVOIR                               | 1        |         |
| 22             | 6E5-43829-00-00 | .PLUG, RESERVOIR                               | 1        |         |
| 23             | 6E5-43863-00-00 | .O-RING  | 1        |         |
| 24             | 6G5-43818-00-00 | .PIN, LOWER SHOCK MOUNT                        | 1        |         |
| 25             | 90386-18M14-00  | .BUSH  | 2        |         |
| 26             | 90119-06M42-00  | .BOLT, WITH WASHER                             | 6        |         |
| 27             | 6G5-43874-00-00 | .RING, BACK UP                                 | 2        |         |
| 28             | 6G5-43864-00-00 | .O-RING  | 2        |         |
| 29             | 6G5-43821-01-00 | .SCREW, TRIM CYLINDER<br>END (6G5-43821-00-00) | 2        |         |
| 30             | 6E5-43865-00-00 | .O-RING  | 2        |         |
| 31             | 6E5-43822-01-00 | .SEAL, TRIM DUST                               | 2        |         |
| 32             | 6G5-43861-00-00 | .O-RING  | 2        |         |
| 33             | 6G5-43802-01-00 | .VALVE SUB ASSY                                | 2        |         |
| 34             | 6E5-43866-00-00 | ..O-RING                                       | 1        |         |
| 35             | 6E5-43867-00-00 | ..O-RING                                       | 1        |         |
| 36             | 6G5-43894-00-00 | .SPRING, SHUTTLE RETURN                        | 2        |         |
| 37             | 6E5-43868-00-00 | .O-RING  | 1        |         |
| 38             | 6G5-43841-00-00 | .PISTON, SHUTTLE                               | 1        |         |
| 39             | 6E5-43869-00-00 | .O-RING  | 2        |         |
| 40             | 6G5-43835-00-00 | .PIPE  | 1        |         |
| 41             | 6G5-43833-00-00 | .PIPE  | 1        |         |
| 42             | 6G5-43809-01-00 | .SEAT, VALVE COMP 2                            | 1        |         |
| 43             | 6E5-43896-00-00 | ..O-RING                                       | 1        |         |
| 44             | 6G5-43816-00-00 | .FILTER 1                                      | 1        |         |
| 45             | 6G5-43808-02-00 | .SEAT VALVE COMP 1                             | 1        |         |
| 46             | 6E5-43883-00-00 | .O-RING  | 1        |         |
| 47             | 6G5-43803-00-00 | .CASE VALVE COMP                               | 1        |         |
| 48             | 6H1-43875-00-00 | .RING, SNAP                                    | 1        |         |
| 49             | 93210-18M75-00  | .O-RING  | 1        |         |
| 50             | 6G5-43845-00-00 | .SCREW, MANUAL RELEASE                         | 1        |         |
| 51             | 93210-10M74-00  | .O-RING  | 1        |         |
| 52             | 6E5-4382A-00-00 | .ADAPTER 1                                     | 1        |         |
| 53             | 6E5-43854-01-00 | .SPRING, MANUAL RELEASE                        | 1        |         |

|    |                 |                      |   |  |
|----|-----------------|----------------------|---|--|
| 54 | 6E5-43847-00-00 | .SEAT, MANUAL VALVE  | 2 |  |
| 55 | 6G5-43849-00-00 | .PIN, VALVE SUPPORT  | 1 |  |
| 56 | 6G5-4381A-00-00 | .SHAFT               | 1 |  |
| 57 | 6G5-43842-00-00 | .SCREW, VALVE SEAT   | 1 |  |
| 58 | 6G5-43866-00-00 | .O-RING              | 1 |  |
| 59 | 6E5-43824-01-00 | .SPRING, COMPRESSION | 1 |  |
| 60 | 6G5-43830-01-00 | .GEAR PUMP ASSEMBLY  | 1 |  |
| 61 | 6G5-43863-00-00 | .O-RING              | 2 |  |
| 62 | 6G5-43831-01-00 | .CONNECTOR, SHAFT    | 1 |  |
| 63 | 6G5-43817-00-00 | .FILTER 2            | 1 |  |
| 64 | 6G5-43878-01-00 | .BOLT, SOCKET        | 2 |  |
| 65 | 90201-05M00-00  | .WASHER, PLATE       | 3 |  |
| 66 | 6G5-43888-01-00 | .BOLT, SOCKET        | 1 |  |
| 67 | 6G5-43878-10-00 | .BOLT, SOCKET        | 1 |  |
| 68 | 6G5-43820-00-00 | .PISTON, SUB ASSY    | 2 |  |

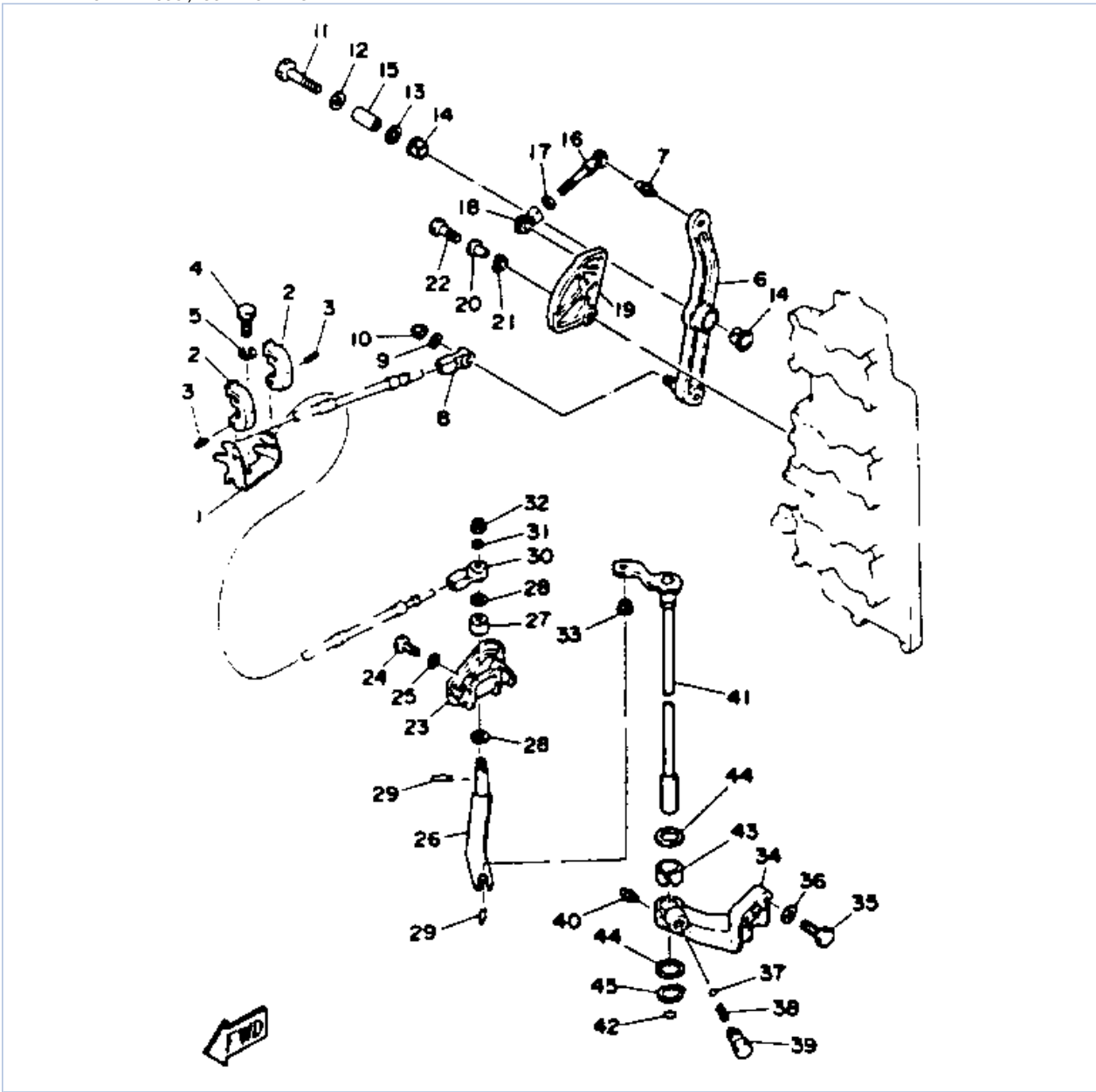
## Part Notes

225TXRR 1993 / POWER TRIM TILT ASSEMBLY

| PART NUMBER     |   | NOTE TEXT   |
|-----------------|---|---|
| 6G5-43864-00-00 |  | OEM: This part number is among the Top 100 Most Popular Marine Maintenance Parts as of August 2013. |

©2013 Yamaha Motor Corporation, U.S.A. All rights reserved.

225TXRR 1993 / CONTROL ENGINE



©2013 Yamaha Motor Corporation, U.S.A. All rights reserved.

## Part List

225TXRR 1993 / CONTROL ENGINE

| REF<br>-<br>NO | PART<br>NUMBER  | PART NAME                                   | QUANTITY | REMARKS       |
|----------------|-----------------|---|----------|---------------|
| 1              | 6E5-48531-00-00 | BRACKET, REMOTE CONTROL<br>1                | 1        |               |
| 2              | 6E5-48538-00-00 | CLAMP, CABLE                                | 2        |               |
| 3              | 91690-30012-00  | PIN, SPRING                                 | 2        |               |
| 4              | 97395-08020-00  | BOLT, HEXAGON                               | 1        |               |
| 5              | 92990-08100-00  | WASHER, SPRING                              | 1        |               |
| 6              | 6K7-41632-00-94 | LEVER, MAGNETO CONTROL<br>(6K7-41632-01-94) | 1        |               |
| 7              | 663-85518-00-00 | JOINT, BALL                                 | 1        |               |
| 8              | 6E5-48344-00-00 | CABLE END, REMOTE<br>CONTROL                | 1        |               |
| 9              | 92990-06200-00  | ..WASHER, PLAIN                             | 1        |               |
| 10             | 90185-06M07-00  | NUT, SELF-LOCKING                           | 1        |               |
| 11             | 97313-08045-00  | BOLT, HEXAGON                               | 1        |               |
| 12             | 90201-08M61-00  | WASHER, PLATE                               | 1        |               |
| 13             | 90206-12M00-00  | WASHER, WAVE                                | 1        |               |
| 14             | 90386-12069-00  | BUSH  | 2        |               |
| 15             | 90387-08M16-00  | COLLAR                                      | 1        |               |
| 16             | 6K7-41211-00-00 | LINK, ACCEL.                                | 1        |               |
| 17             | 95380-05600-00  | NUT   | 1        |               |
| 18             | 6H1-41237-00-00 | JOINT, LINK                                 | 1        |               |
| 19             | 6K7-41213-00-00 | CAM, ACCEL.                                 | 1        |               |
| 20             | 90387-06M29-00  | COLLAR                                      | 1        |               |
| 21             | 90206-10M04-00  | WASHER, WAVE                                | 1        |               |
| 22             | 97395-06025-00  | BOLT  | 1        |               |
| 23             | 6E5-44117-00-94 | BRACKET                                     | 1        |               |
| 24             | 97313-06020-00  | BOLT, HEXAGON                               | 2        |               |
| 25             | 92990-06600-00  | WASHER, PLATE                               | 2        |               |
| 26             | 6E5-44121-00-00 | LEVER, SHIFT ROD                            | 1        |               |
| 27             | 6E5-44122-00-00 | BUSHING, SHIFT ROD LEVER                    | 1        |               |
| 28             | 90202-08M20-00  | WASHER, PLATE                               | 2        |               |
| 29             | 90468-18008-00  | CLIP  | 2        |               |
| 30             | 6E5-48344-00-00 | CABLE END, REMOTE<br>CONTROL                | 1        |               |
| 31             | 92990-06200-00  | ..WASHER, PLAIN                             | 1        |               |
| 32             | 90185-06M07-00  | NUT, SELF-LOCKING                           | 1        |               |
| 33             | 90386-06M12-00  | BUSH  | 1        |               |
| 34             | 6E5-44118-01-94 | BRACKET                                     | 1        |               |
| 35             | 97313-08030-00  | BOLT  | 2        |               |
| 36             | 92990-08600-00  | .WASHER, PLATE                              | 2        |               |
| 37             | 93501-04M02-00  | BALL  | 1        |               |
| 38             | 90501-12082-00  | SPRING, COMPRESSION                         | 1        |               |
| 39             | 648-42715-00-00 | BUSHING                                     | 1        |               |
| 40             | 93700-06M03-00  | NIPPLE, GREASE                              | 1        |               |
| 41             | 6E5-44120-22-00 | HANDEL, GEAR SHIFT<br>ASSEMBLY              | 1        | UR ULTRA LONG |
| 41             | 6E5-44120-02-00 | HANDEL, GEAR SHIFT<br>ASSEMBLY              | 1        | UR LONG       |
| 42             | 93210-09350-00  | O-RING                                      | 1        |               |
| 43             | 90386-16M66-00  | BUSH  | 1        |               |
| 44             | 90202-16061-00  | WASHER, PLATE                               | 2        |               |
| 45             | 99009-16400-00  | CIRCLIP                                     | 1        |               |

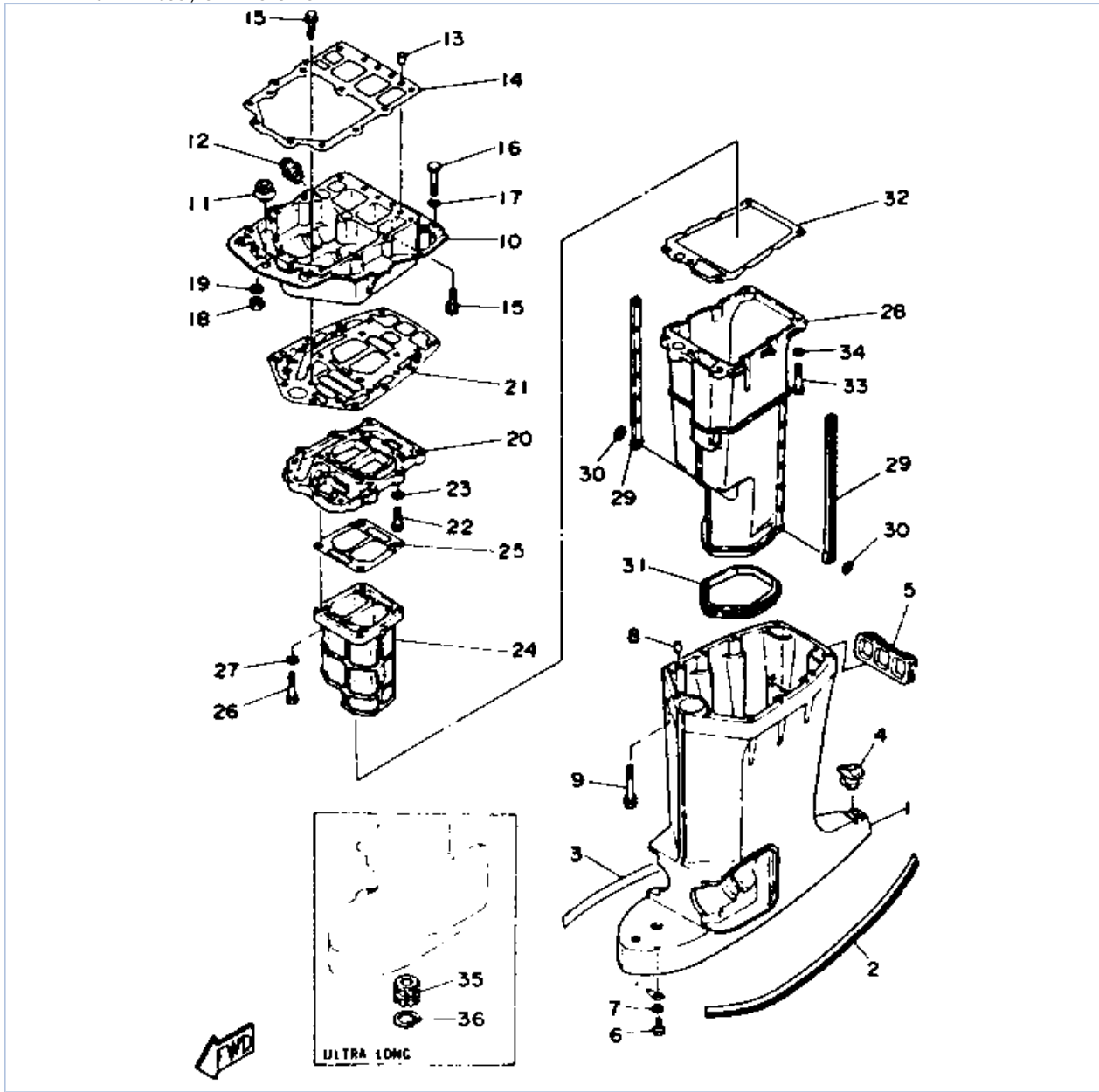
## Part Notes

225TXRR 1993 / CONTROL ENGINE

| PART NUMBER     |   | NOTE TEXT   |
|-----------------|---|---|
| 6H1-41237-00-00 |  | OEM: This part number is among the Top 100 Most Popular Marine Maintenance Parts as of August 2013. |
| 92990-06600-00  |  | OEM: This part number is among the Top 100 Most Popular Marine Maintenance Parts as of August 2013. |
| 93700-06M03-00  |  | OEM: This part number is among the Top 100 Most Popular Marine Maintenance Parts as of August 2013. |

©2013 Yamaha Motor Corporation, U.S.A. All rights reserved.

225TXRR 1993 / UPPER CASING



©2013 Yamaha Motor Corporation, U.S.A. All rights reserved.




## Part List

225TXRR 1993 / UPPER CASING

| REF - NO | PART NUMBER     | PART NAME                                | QUANTITY | REMARKS       |
|----------|-----------------|--|----------|---------------|
| 1        | 6E5-45111-00-EK | CASING, UPPER                            | 1        | UR LONG       |
| 1        | 6E5-45111-20-EK | CASING, UPPER                            | 1        | UR ULTRA LONG |
| 2        | 6R3-42791-40-00 | MARK                                     | 1        |               |
| 3        | 6R3-42792-40-00 | MARK 2                                   | 1        |               |
| 4        | 6E5-45155-00-00 | CAP                                      | 1        |               |
| 5        | 6E5-42769-00-00 | SEAL, RUBBER                             | 1        |               |
| 6        | 97395-06010-00  | BOLT                                     | 1        |               |
| 7        | 92990-06600-00  | WASHER, PLATE                            | 1        |               |
| 8        | 93608-12M05-00  | PIN, DOWEL                               | 2        |               |
| 9        | 90119-08M78-00  | BOLT, WITH WASHER                        | 6        |               |
| 10       | 6G5-41137-00-94 | GUIDE, EXHAUST                           | 1        |               |
| 11       | 6E5-42724-00-00 | GROMMET                                  | 1        |               |
| 12       | 6G5-12581-00-00 | JOINT, HOSE 1                            | 1        |               |
| 13       | 93608-12M05-00  | PIN, DOWEL                               | 2        |               |
| 14       | 6G5-45113-A0-00 | GASKET, UPPER CASING                     | 1        |               |
| 15       | 90119-08M79-00  | BOLT, WITH WASHER                        | 6        |               |
| 16       | 97395-08045-00  | BOLT                                     | 2        |               |
| 17       | 92990-08100-00  | WASHER, SPRING                           | 2        |               |
| 18       | 95380-08700-00  | NUT                                      | 2        |               |
| 19       | 92990-08100-00  | WASHER, SPRING                           | 2        |               |
| 20       | 6G5-41131-00-5B | MANIFOLD, EXHAUST 1<br>(6G5-41131-00-9M) | 1        |               |
| 21       | 6G5-45114-A0-00 | GASKET, UPPER CASING                     | 1        |               |
| 22       | 97395-08030-00  | BOLT                                     | 4        |               |
| 23       | 92995-08600-00  | WASHER                                   | 4        |               |
| 24       | 6G5-41132-00-5B | MANIFOLD, EXHAUST (6G5-<br>41132-00-9M)  | 1        |               |
| 25       | 6G5-41134-A0-00 | .GASKET, EXHAUST<br>MANIFOLD             | 1        |               |
| 26       | 97395-08045-00  | BOLT                                     | 4        |               |
| 27       | 92995-08600-00  | WASHER                                   | 4        |               |
| 28       | 6E5-14711-00-5B | MUFFLER 1 (6E5-14711-00-<br>9M)          | 1        |               |
| 29       | 6E5-14737-00-00 | DAMPER, MUFFLER                          | 2        |               |
| 30       | 90183-05M02-00  | NUT, SPRING                              | 2        |               |
| 31       | 6E5-45123-00-00 | .GASKET, MUFFLER                         | 1        |               |
| 32       | 6E5-41135-A0-00 | .GASKET, EXHAUST<br>MANIFOLD             | 1        |               |
| 33       | 97395-08045-00  | BOLT                                     | 5        |               |
| 34       | 92995-08600-00  | WASHER                                   | 5        |               |
| 35       | 6E5-45318-00-00 | BUSHING, DRIVE SHAFT                     | 1        | ULTRA LONG    |
| 36       | 93420-36M01-00  | CIRCLIP                                  | 1        | ULTRA LONG    |

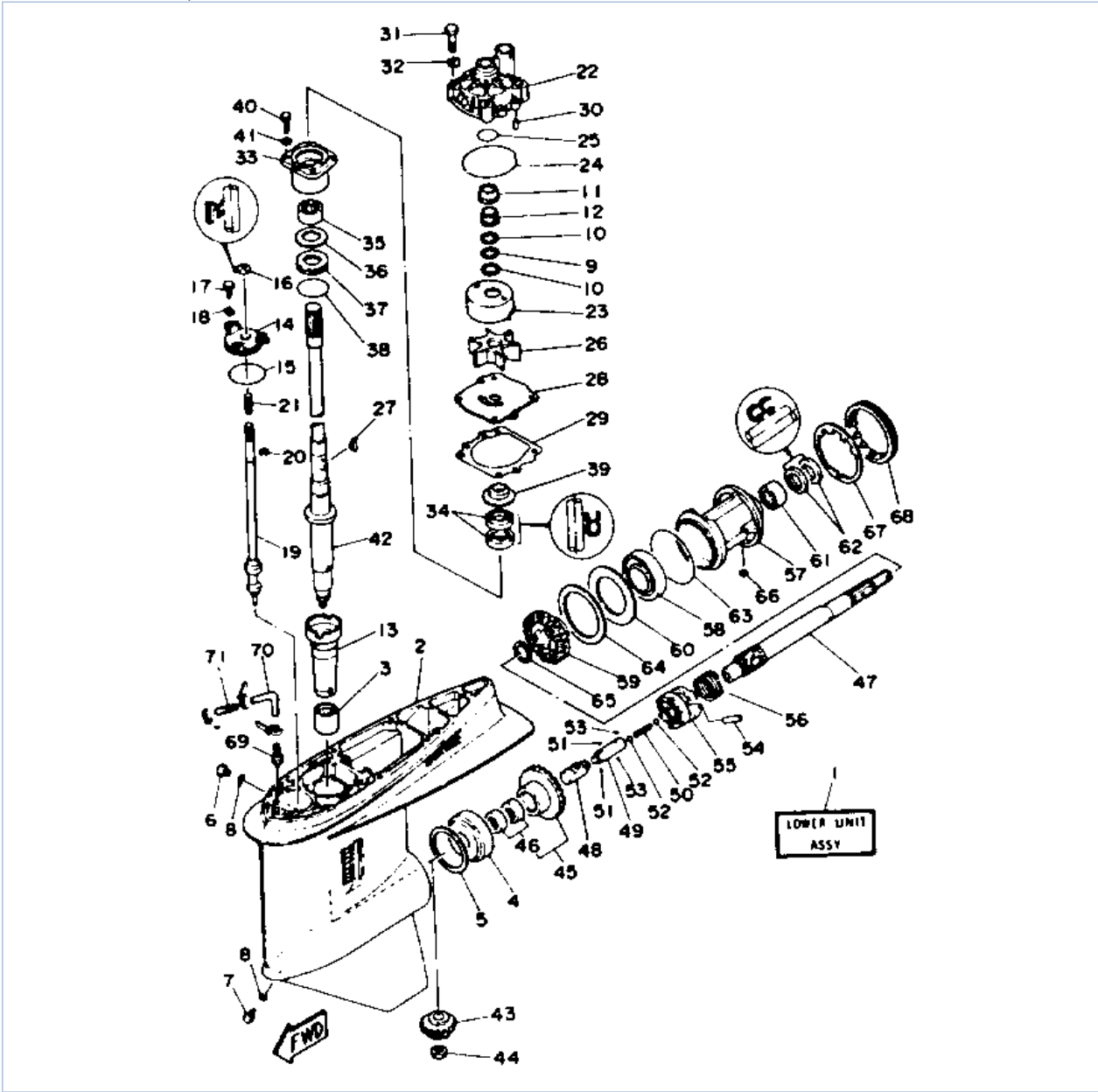
## Part Notes

225TXRR 1993 / UPPER CASING

| PART NUMBER  | NOTE TEXT   |
|--|---|
| 92990-06600-00  | OEM: This part number is among the Top 100 Most Popular Marine Maintenance Parts as of August 2013. |

©2013 Yamaha Motor Corporation, U.S.A. All rights reserved.

225TXRR 1993 / LOWER DRIVE 1



©2013 Yamaha Motor Corporation, U.S.A. All rights reserved.

## Part List









225TXRR 1993 / LOWER DRIVE 1

| REF - NO | PART NUMBER     | PART NAME                          | QUANTITY | REMARKS       |
|----------|-----------------|------------------------------------|----------|---------------|
| 1        | 6K7-45300-22-EK | LOWER UNIT ASSEMBLY<br>(REF. 2~71) | 1        | UR ULTRA LONG |
| 1        | 6K7-45300-12-EK | LOWER UNIT ASSEMBLY<br>(REF. 2~71) | 1        | UR LONG       |
| 2        | 6J9-45301-01-EK | CASING, LOWER                      | 1        |               |
| 3        | 93311-928U5-00  | BEARING                            | 1        |               |
| 4        | 93332-000V3-00  | BEARING                            | 1        |               |
| 5        | 6G5-45567-01-30 | SHIM (T:0.30MM)                    | 1        | UR            |
| 5        | 6G5-45567-01-12 | SHIM (T:0.12MM)                    | 1        | UR            |
| 5        | 6G5-45567-01-50 | SHIM (T:0.50MM)                    | 1        | UR            |
| 5        | 6G5-45567-01-40 | SHIM (T:0.40MM)                    | 1        | UR            |
| 5        | 6G5-45567-01-18 | SHIM (T:0.18MM)                    | 1        | UR            |
| 5        | 6G5-45567-01-10 | SHIM (T:0.10MM)                    | 1        | UR            |
| 5        | 6G5-45567-01-15 | SHIM (T:0.15MM)                    | 1        | UR            |
| 6        | 90340-08M04-00  | PLUG, STRAIGHT SCREW               | 1        |               |
| 7        | 688-45341-00-00 | PLUG, DRAIN                        | 1        |               |
| 8        | 90430-08020-00  | .GASKET                            | 2        |               |
| 9        | 90206-22M19-00  | WASHER, WAVE                       | 1        |               |
| 10       | 90201-22M01-00  | WASHER, PLATE                      | 2        |               |
| 11       | 61A-45527-00-00 | COLLAR, DRIVE SHAFT                | 1        |               |
| 12       | 61A-45538-00-00 | SPACER 1                           | 1        |               |
| 13       | 6G5-45536-01-00 | SLEEVE, DRIVE SHAFT                | 1        |               |
| 14       | 6E5-45321-00-00 | PLATE                              | 1        |               |
| 15       | 93210-58677-00  | O-RING                             | 1        |               |
| 16       | 93106-09014-00  | .OIL SEAL                          | 1        |               |
| 17       | 97395-06020-00  | BOLT, HEXAGON                      | 3        |               |
| 18       | 90209-06M04-00  | WASHER                             | 3        |               |
| 19       | 6G5-44150-01-00 | SHIFT CAM ASSY                     | 1        |               |
| 20       | 99001-08600-00  | CIRCLIP                            | 1        |               |
| 21       | 90501-11M10-00  | SPRING, COMPRESSION                | 1        |               |
| 22       | 61A-44311-00-00 | HOUSING, WATER PUMP                | 1        |               |
| 23       | 61A-44322-00-00 | INSERT, CARTRIDGE                  | 1        |               |
| 24       | 93210-86M38-00  | .O-RING                            | 1        |               |
| 25       | 93210-37M67-00  | O-RING                             | 1        |               |
| 26       | 6E5-44352-00-00 | IMPELLER                           | 1        |               |
| 27       | 90280-04M05-00  | .KEY, WOODRUFF                     | 1        |               |
| 28       | 6G5-44323-00-00 | .OUTER PLATE, CARTRIDGE            | 1        |               |
| 29       | 6E5-44315-A0-00 | .GASKET, WATER PUMP                | 1        |               |
| 30       | 93606-12019-00  | .PIN, DOWEL                        | 2        |               |
| 31       | 97395-08045-00  | BOLT                               | 4        |               |
| 32       | 90209-08M02-00  | WASHER                             | 4        |               |
| 33       | 6E5-45331-00-94 | HOUSING, BEARING                   | 1        |               |
| 34       | 93101-28M16-00  | .OIL SEAL                          | 2        |               |
| 35       | 93317-330U2-00  | BEARING                            | 1        |               |
| 36       | 6E5-45587-01-12 | SHIM (T:0.12MM)                    | 1        | UR            |
| 36       | 6E5-45587-01-30 | SHIM (T:0.30MM)                    | 1        | UR            |
| 36       | 6E5-45587-01-50 | SHIM (T:0.50MM)                    | 1        | UR            |
| 36       | 6E5-45587-01-10 | SHIM (T:0.10MM)                    | 1        | UR            |
| 36       | 6E5-45587-01-15 | SHIM (T:0.15MM)                    | 1        | UR            |
| 36       | 6E5-45587-01-18 | SHIM (T:0.18MM)                    | 1        | UR            |
| 36       | 6E5-45587-01-40 | SHIM (T:0.40MM)                    | 1        | UR            |
| 37       | 93341-930U0-00  | BEARING, THRUST                    | 1        |               |
| 38       | 93210-54534-00  | O-RING                             | 1        |               |
| 39       | 6E5-45344-00-00 | COVER, OIL SEAL                    | 1        |               |

|    |                 |                     |   |               |
|----|-----------------|---------------------|---|---------------|
| 40 | 97395-08025-00  | BOLT                | 4 |               |
| 41 | 92995-08600-00  | WASHER              | 4 |               |
| 42 | 6G5-45501-01-00 | DRIVE SHAFT COMP.   | 1 | UR LONG       |
| 42 | 6G5-45501-21-00 | DRIVE SHAFT COMP.   | 1 | UR ULTRA LONG |
| 43 | 6K7-45551-00-00 | PINION              | 1 |               |
| 44 | 90170-16M01-00  | NUT                 | 1 |               |
| 45 | 6K7-45560-01-00 | GEAR                | 1 |               |
| 46 | 93315-425V3-00  | .BEARING            | 2 |               |
| 47 | 6J9-45611-01-00 | SHAFT, PROPELLER    | 1 |               |
| 48 | 6E5-45641-01-00 | SHIFTER             | 1 |               |
| 49 | 6E5-45634-01-00 | SLIDE, SHIFT        | 1 |               |
| 50 | 90501-16M37-00  | SPRING, COMPRESSION | 1 |               |
| 51 | 93507-32031-00  | BALL 7-32           | 2 |               |
| 52 | 93511-32027-00  | BALL                | 2 |               |
| 53 | 93503-16010-00  | BALL 3-16           | 2 |               |
| 54 | 90250-08M07-00  | PIN, STRAIGHT       | 1 |               |
| 55 | 6G5-45631-00-00 | CLUTCH, DOG         | 1 |               |
| 56 | 6E5-45633-01-00 | RING, CROSS PIN     | 1 |               |
| 57 | 6J9-45332-00-94 | HOUSING, BEARING    | 1 |               |
| 58 | 93306-209U0-00  | BEARING             | 1 |               |
| 59 | 6K7-45571-01-00 | GEAR                | 1 |               |
| 60 | 6G5-45576-00-00 | WASHER, THRUST      | 1 |               |
| 61 | 93315-430U8-00  | BEARING             | 1 |               |
| 62 | 93101-30M17-00  | .OIL SEAL           | 2 |               |
| 63 | 93210-97M55-00  | .O-RING             | 1 |               |
| 64 | 6G5-45577-02-12 | SHIM (T:0.12MM)     | 1 | UR            |
| 64 | 6G5-45577-02-30 | SHIM (T:0.30MM)     | 1 | UR            |
| 64 | 6G5-45577-02-50 | SHIM (T:0.50MM)     | 1 | UR            |
| 64 | 6G5-45577-02-10 | SHIM (T:0.10MM)     | 1 | UR            |
| 64 | 6G5-45577-02-15 | SHIM (T:0.15MM)     | 1 | UR            |
| 64 | 6G5-45577-02-18 | SHIM (T:0.18MM)     | 1 | UR            |
| 64 | 6G5-45577-02-40 | SHIM (T:0.40MM)     | 1 | UR            |
| 65 | 90201-30M92-00  | WASHER, PLATE       | 1 |               |
| 66 | 90282-04M00-00  | KEY, STRAIGHT       | 1 |               |
| 67 | 6G5-45383-01-00 | WASHER, CLAW        | 1 |               |
| 68 | 6G5-45384-00-00 | NUT                 | 1 |               |
| 69 | 6E5-45378-00-00 | NIPPLE, HOSE        | 1 |               |
| 70 | 90445-07ME9-00  | HOSE (L120)         | 1 | UR ULTRA LONG |
| 70 | 90445-07ME8-00  | HOSE (L80)          | 1 | UR LONG       |
| 71 | 6E5-83558-10-00 | END, NIPPLE         | 1 |               |

## Part Notes

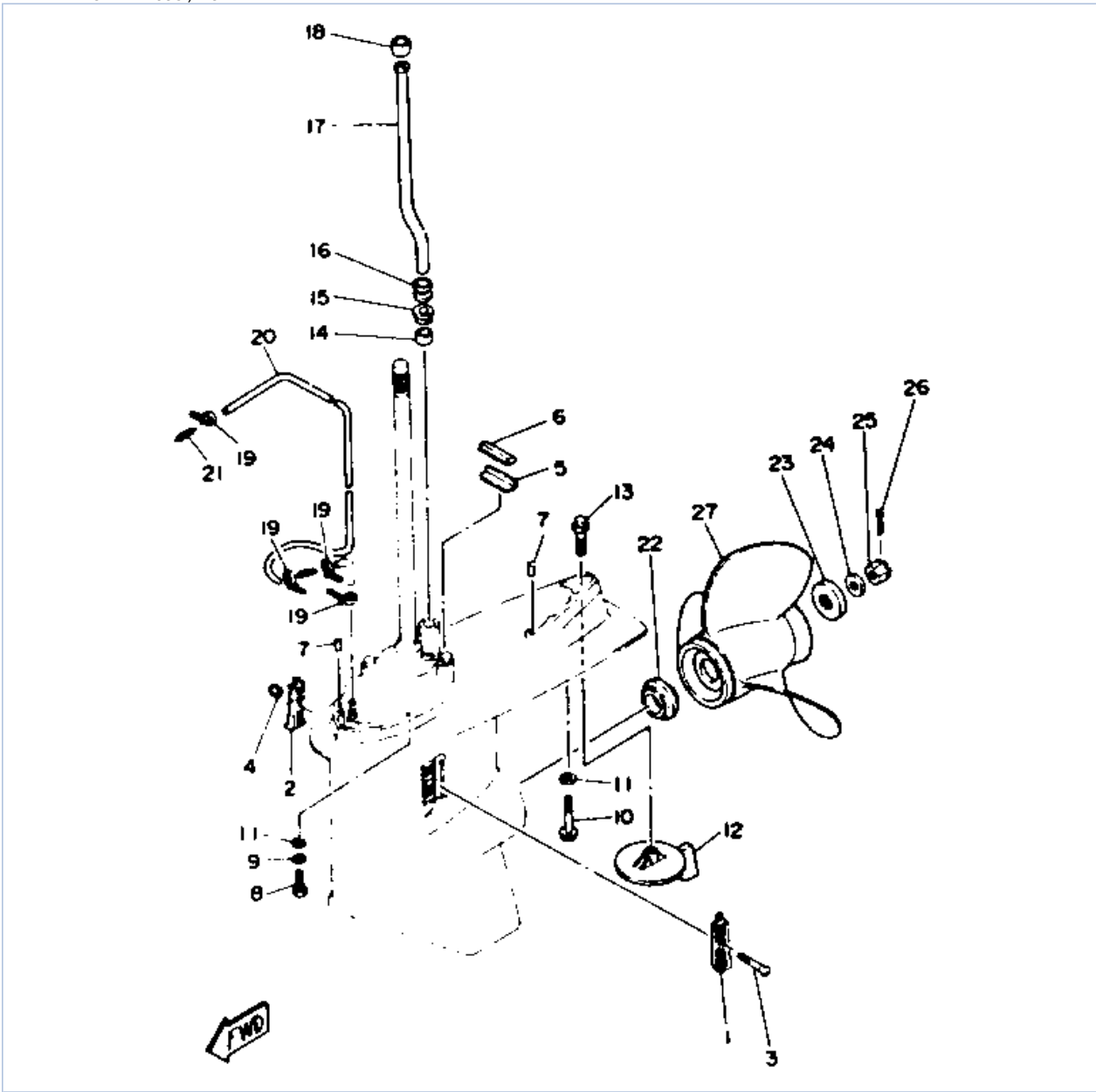
225TXRR 1993 / LOWER DRIVE 1

| PART NUMBER     |   | NOTE TEXT   |
|-----------------|---|---|
| 90430-08020-00  |  | OEM: This part number is among the Top 100 Most Popular Marine Maintenance Parts as of August 2013. |
| 90201-22M01-00  |  | OEM: This part number is among the Top 100 Most Popular Marine Maintenance Parts as of August 2013. |
| 61A-45527-00-00 |  | OEM: This part number is among the Top 100 Most Popular Marine Maintenance Parts as of August 2013. |
| 61A-45538-00-00 |  | OEM: This part number is among the Top 100 Most Popular Marine Maintenance Parts as of August 2013. |
| 93106-09014-00  |  | OEM: This part number is among the Top 100 Most Popular Marine Maintenance Parts as of August 2013. |
| 93210-86M38-00  |  | OEM: This part number is among the Top 100 Most Popular Marine Maintenance Parts as of August 2013. |
| 93101-28M16-00  |  | OEM: This part number is among the Top 100 Most Popular Marine Maintenance Parts as of August 2013. |
| 93210-54534-00  |  | OEM: This part number is among the Top 100 Most Popular Marine Maintenance Parts as of August 2013. |
| 93101-30M17-00  |   | OEM: This part number is among the Top 100 Most Popular Marine Maintenance Parts as of August 2013. |



©2013 Yamaha Motor Corporation, U.S.A. All rights reserved.

225TXRR 1993 / LOWER DRIVE 2



©2013 Yamaha Motor Corporation, U.S.A. All rights reserved.

## Part List



225TXRR 1993 / LOWER DRIVE 2

| REF - NO | PART NUMBER     | PART NAME  | QUANTITY | REMARKS       |
|----------|-----------------|--|----------|---------------|
| 1        | 6J9-45214-00-00 | COVER, WATER INLET 1                                   | 1        |               |
| 2        | 6J9-45215-00-00 | COVER, WATER INLET 2                                   | 1        |               |
| 3        | 90142-05M04-00  | SCREW  | 1        |               |
| 4        | 90185-05002-00  | NUT, NYLON   | 1        |               |
| 5        | 663-45376-00-94 | GUIDE, SEAL DAMPER                                     | 1        | SEE NOTE      |
| 6        | 688-45375-00-00 | DAMPER, SEAL   | 1        | SEE NOTE      |
| 7        | 93608-12M05-00  | PIN, DOWEL   | 2        |               |
| 8        | 97395-10045-00  | BOLT   | 6        |               |
| 9        | 92990-10100-00  | WASHER, SPRING   | 6        |               |
| 10       | 90119-10M89-00  | BOLT, WITH WASHER                                      | 1        |               |
| 11       | 92990-10600-00  | WASHER, PLATE  | 7        |               |
| 12       | 6J9-45371-01-00 | TAB-TRIM   | 1        |               |
| 13       | 90105-10M00-00  | BOLT, FLANGE   | 1        |               |
| 14       | 6E5-44365-00-00 | DAMPER, WATER SEAL 1                                   | 1        | SEE NOTE      |
| 15       | 6E5-44312-00-00 | COVER, WATER PUMP HOUSING                              | 1        | SEE NOTE      |
| 16       | 6E5-44366-00-00 | DAMPER, WATER SEAL 2                                   | 1        |               |
| 17       | 6E5-44361-00-00 | TUBE, WATER 1  | 1        | UR LONG       |
| 17       | 6E5-44361-20-00 | TUBE, WATER 1  | 1        | UR ULTRA LONG |
| 18       | 6E5-44365-00-00 | DAMPER, WATER SEAL 1                                   | 1        |               |
| 19       | 90465-11M10-00  | CLAMP  | 4        |               |
| 20       | 90445-07MF0-00  | HOSE (L1030)   | 1        |               |
| 21       | 6E5-83558-00-00 | END, NIPPLE  | 1        |               |
| 22       | 6E5-45987-00-00 | SPACER 1   | 1        |               |
| 23       | 688-45997-01-00 | SPACER 2   | 1        |               |
| 24       | 92990-18200-00  | WASHER   | 1        |               |
| 25       | 90171-18M04-00  | NUT, CASTLE  | 1        |               |
| 26       | 91490-40030-00  | PIN. COTTER  | 1        |               |
| 27       | 6G5-45952-00-98 | PROPELLER (3X14-5/8"X16"-M)                            | 1        | UR            |
| 27       | 6G5-45947-01-98 | PROPELLER (3X14-1/2"X17"-M)                            | 1        | UR            |
| 27       | 6G5-45970-02-98 | PROPELLER (3X15-1/4"X15"-M)                            | 1        | UR            |
| 27       | 6G5-45932-00-98 | PROPELLER (3X15-3/4"X13"-M)                            | 1        | UR            |
| 27       | 6G5-45930-00-98 | PROPELLER (3X13-3/8"X25"-M)                            | 1        | UR            |
| 27       | 6G5-45978-02-98 | PROPELLER ASSY (3 X 13-3/4" X 17"-M)                   | 1        | UR            |
| 27       | 6G5-45976-01-98 | PROPELLER (3X13-3/8"X23"-M)                            | 1        | UR            |
| 27       | 6G5-45974-02-98 | PROPELLER ASSY (6G5-45974-01-98) (3 X 13-3/4" X 19"-M) | 1        | UR            |
| 27       | 6G5-45972-02-98 | PROPELLER (3X13-3/4"X21"-M)                            | 1        | UR            |
| 27       | 6G5-45949-00-98 | PROPELLER (3X13-1/2"X23"-M)                            | 1        | UR            |
| 27       | 6G5-45941-00-98 | PROPELLER (3X15-1/4"X15"-M)                            | 1        | UR            |
| 27       | 6G5-45945-01-98 | PROPELLER (3X14"X19"-M)                                | 1        | UR            |

## Part Notes

225TXRR 1993 / LOWER DRIVE 2

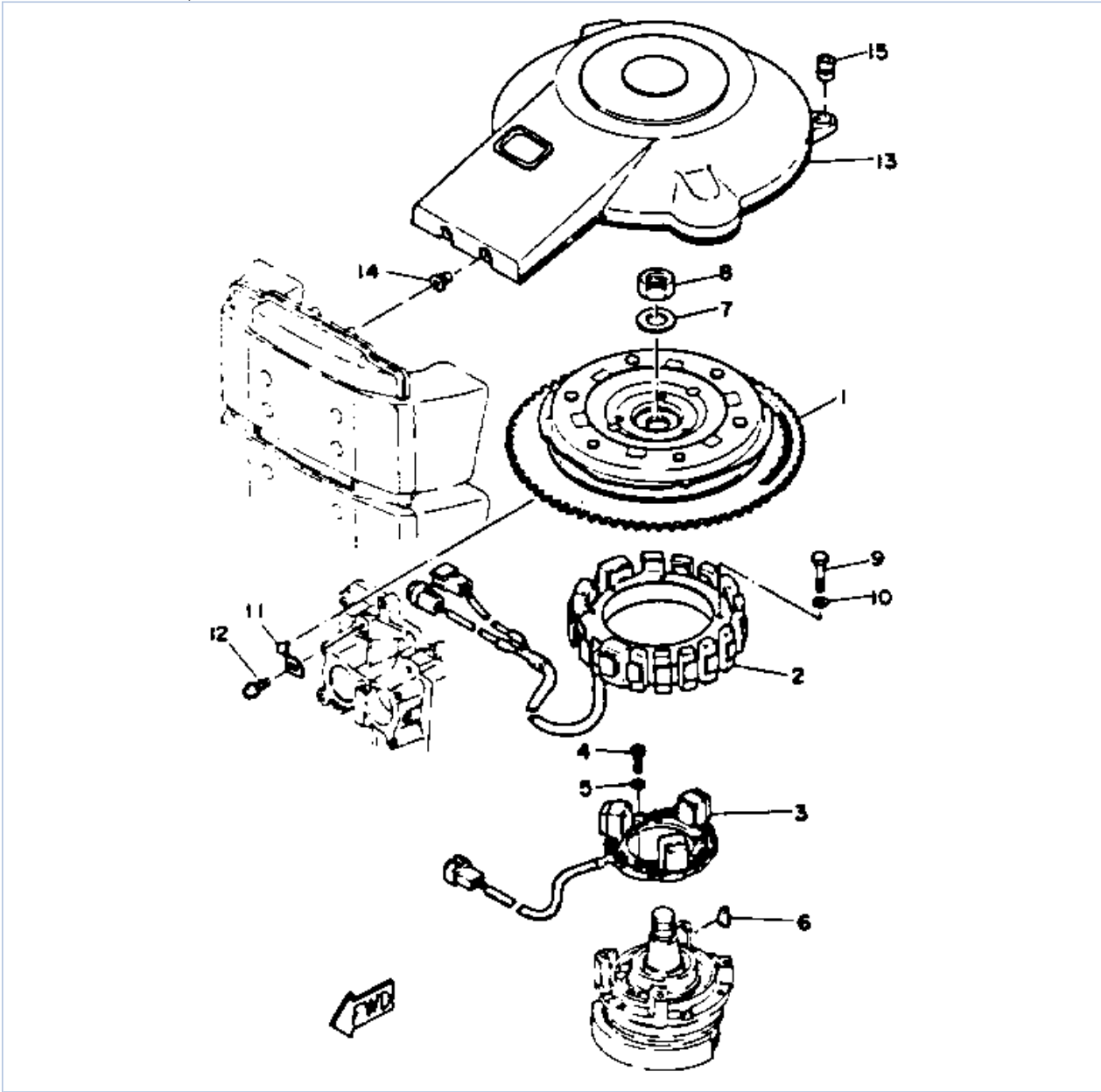
| PART NUMBER    | NOTE TEXT   |
|----------------|---|
| 92990-10600-00 | OEM: This part number is among the Top 100 Most Popular Marine Maintenance Parts as of August 2013. |

|                 |   |   |
|-----------------|---|---|
|                 |  |   |
| 6J9-45371-01-00 |  | OEM: This part number is among the Top 100 Most Popular Marine Maintenance Parts as of August 2013. |
| 90105-10M00-00  |  | OEM: This part number is among the Top 100 Most Popular Marine Maintenance Parts as of August 2013. |
| 91490-40030-00  |  | OEM: This part number is among the Top 100 Most Popular Marine Maintenance Parts as of August 2013. |

©2013 Yamaha Motor Corporation, U.S.A. All rights reserved.



225TXRR 1993 / CDI MAGNETO



©2013 Yamaha Motor Corporation, U.S.A. All rights reserved.



## Part List

225TXRR 1993 / CDI MAGNETO

| REF<br>-<br>NO | PART<br>NUMBER  | PART NAME             | QUANTITY | REMARKS |
|----------------|-----------------|-----------------------|----------|---------|
| 1              | 6R3-85550-00-00 | ROTOR ASSEMBLY        | 1        |         |
| 2              | 6R3-85510-00-00 | STATOR ASSY           | 1        |         |
| 3              | 6R5-85580-00-00 | COIL, PULSER          | 1        |         |
| 4              | 98580-06030-00  | .SCREW, PAN HEAD      | 3        |         |
| 5              | 92990-06600-00  | WASHER, PLATE         | 3        |         |
| 6              | 90280-05049-00  | KEY, WOODRUFF         | 1        |         |
| 7              | 90201-21M18-00  | WASHER, PLATE         | 1        |         |
| 8              | 90170-20137-00  | NUT                   | 1        |         |
| 9              | 97313-06070-00  | NUT (97301-06070)     | 4        |         |
| 10             | 92990-06600-00  | WASHER, PLATE         | 4        |         |
| 11             | 6E5-81332-00-00 | PLATE, TIMING         | 1        |         |
| 12             | 97985-06210-00  | SCREW, WITH WASHER    | 1        |         |
| 13             | 6R3-81337-00-00 | COVER, FLYWHEEL       | 1        |         |
| 14             | 6G5-82317-00-00 | DAMPER, IGNITION COIL | 2        |         |
| 15             | 663-82317-00-00 | DAMPER, IGNITION COIL | 2        |         |

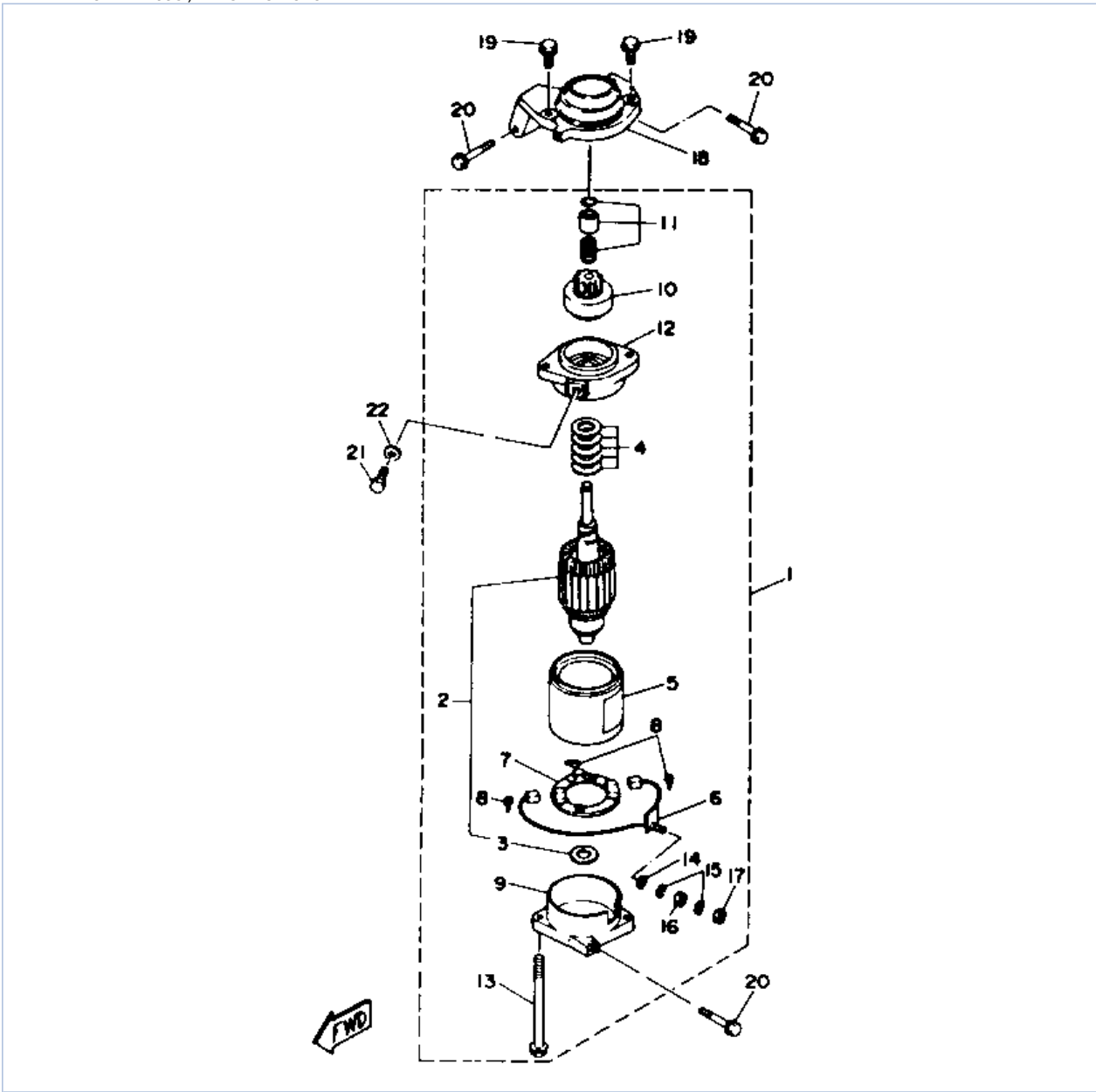
## Part Notes

225TXRR 1993 / CDI MAGNETO

| PART NUMBER    |  | NOTE TEXT   |
|----------------|--|---|
| 92990-06600-00 |   | OEM: This part number is among the Top 100 Most Popular Marine Maintenance Parts as of August 2013. |
| 92990-06600-00 |  | OEM: This part number is among the Top 100 Most Popular Marine Maintenance Parts as of August 2013. |

©2013 Yamaha Motor Corporation, U.S.A. All rights reserved.

225TXRR 1993 / ELECTRIC MOTOR



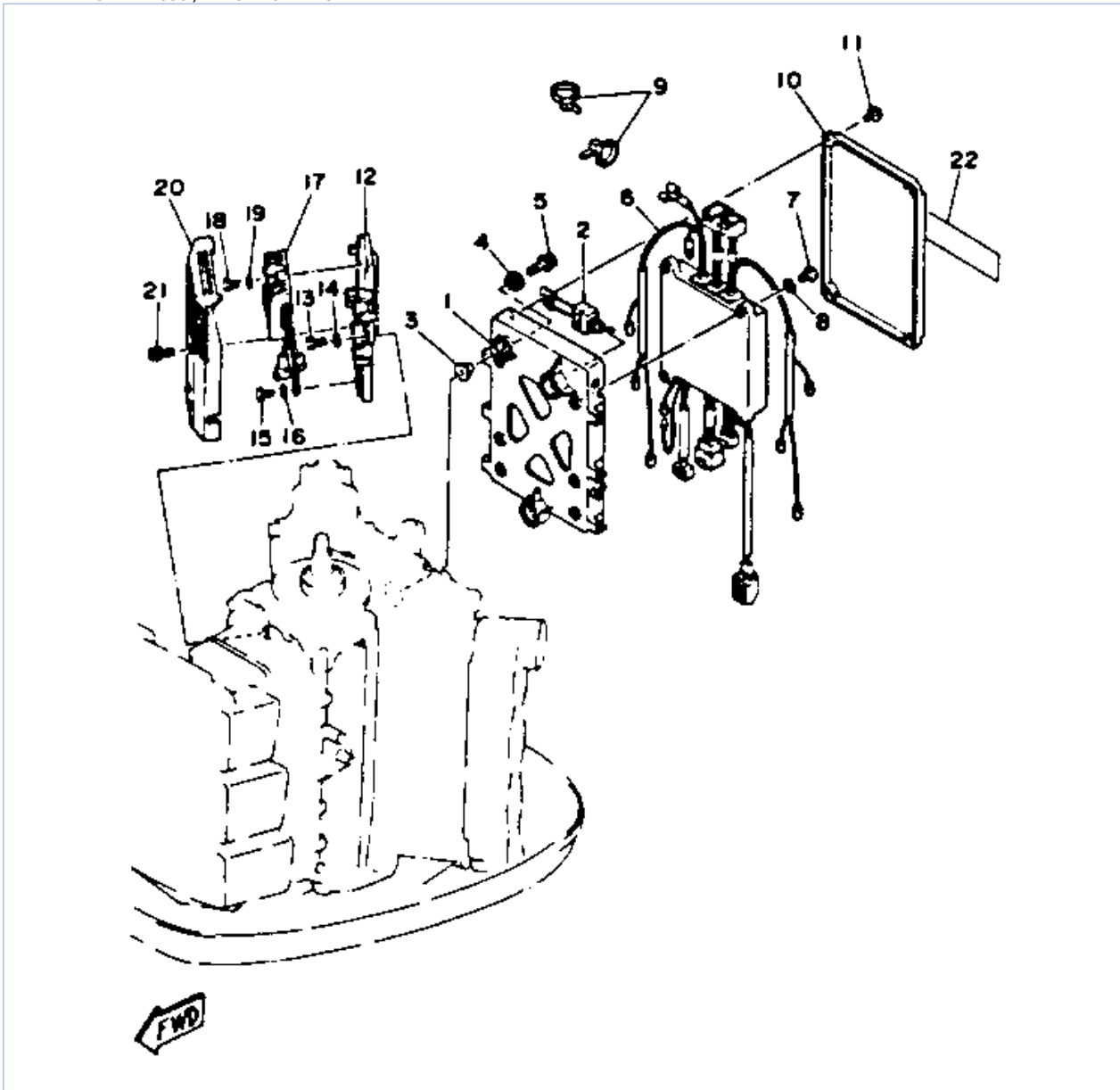
©2013 Yamaha Motor Corporation, U.S.A. All rights reserved.

## Part List

225TXRR 1993 / ELECTRIC MOTOR

| REF<br>-<br>NO | PART<br>NUMBER  | PART NAME                         | QUANTITY | REMARKS |
|----------------|-----------------|-----------------------------------|----------|---------|
| 1              | 61H-81800-01-00 | STARTING MOTOR<br>ASSEMBLY        | 1        |         |
| 2              | 61A-81850-09-00 | .ARMATURE ASSEMBLY                | 1        |         |
| 3              | 61A-81824-00-00 | ..WASHER 2                        | 1        |         |
| 4              | 61A-81809-00-00 | .WASHER KIT                       | 1        |         |
| 5              | 6K7-81810-10-00 | .STATOR ASSY                      | 1        |         |
| 6              | 6K7-81801-10-00 | .BRUSH SET                        | 1        |         |
| 7              | 61A-81840-00-00 | .BRUSH HOLDER ASSY                | 1        |         |
| 8              | 6E5-81813-10-00 | .SPRING, BRUSH                    | 3        |         |
| 9              | 61A-81820-00-00 | .REAR BRACKET ASSY                | 1        |         |
| 10             | 61H-81807-00-00 | .GEAR ASSEMBLY, STARTING<br>MOTOR | 1        |         |
| 11             | 61H-81857-00-00 | .RETAINER                         | 1        |         |
| 12             | 61A-81830-00-00 | .FRONT BRACKET ASSY               | 1        |         |
| 13             | 6K7-81826-10-00 | .BOLT                             | 2        |         |
| 14             | 6E5-8182E-10-00 | .WASHER                           | 1        |         |
| 15             | 6E5-8182F-10-00 | .WASHER                           | 2        |         |
| 16             | 6E5-8182A-10-00 | .NUT                              | 1        |         |
| 17             | 6E5-8182K-10-00 | .NUT                              | 1        |         |
| 18             | 6K7-81822-00-94 | BRACKET, STARTING MOTOR           | 1        |         |
| 19             | 90119-08M76-00  | BOLT, WITH WASHER                 | 2        |         |
| 20             | 90119-08M77-00  | BOLT, WITH WASHER                 | 3        |         |
| 21             | 97395-08016-00  | BOLT                              | 1        |         |
| 22             | 92990-08600-00  | .WASHER, PLATE                    | 1        |         |

225TXRR 1993 / ELECTRIC PARTS 1



©2013 Yamaha Motor Corporation, U.S.A. All rights reserved.





## Part List

225TXRR 1993 / ELECTRIC PARTS 1

| REF - NO | PART NUMBER     | PART NAME                  | QUANTITY | REMARKS |
|----------|-----------------|----------------------------|----------|---------|
| 1        | 6R3-85542-00-EK | BRACKET                    | 1        |         |
| 2        | 6R3-8259E-00-00 | SWITCH ASSY                | 1        |         |
| 3        | 90387-06M03-00  | COLLAR                     | 3        |         |
| 4        | 90480-09M12-00  | GROMMET                    | 3        |         |
| 5        | 90119-06M60-00  | BOLT, WITH WASHER          | 3        |         |
| 6        | 6R5-85540-00-00 | C.D.I. UNIT ASSEMBLY       | 1        |         |
| 7        | 98580-06020-00  | SCREW, PAN HEAD            | 4        |         |
| 8        | 92990-06600-00  | WASHER, PLATE              | 4        |         |
| 9        | 90465-13M36-00  | CLAMP                      | 2        |         |
| 10       | 6R3-85537-00-00 | COVER                      | 1        |         |
| 11       | 90159-06M11-00  | SCREW, WITH WASHER         | 4        |         |
| 12       | 6R3-81948-00-94 | BRACKET                    | 1        |         |
| 13       | 97313-06016-00  | BOLT, HEXAGON              | 3        |         |
| 14       | 92990-06600-00  | WASHER, PLATE              | 3        |         |
| 15       | 97013-06012-00  | BOLT                       | 1        |         |
| 16       | 92990-06600-00  | WASHER, PLATE              | 1        |         |
| 17       | 6R3-81960-10-00 | RECTIFIER & REGULATOR ASSY | 1        |         |
| 18       | 97313-06025-00  | BOLT                       | 2        |         |
| 19       | 92990-06600-00  | WASHER, PLATE              | 2        |         |
| 20       | 6R3-81942-00-00 | COVER                      | 1        |         |
| 21       | 90159-06M08-00  | SCREW, WITH WASHER         | 4        |         |
| 22       | 6R5-84341-00-00 | EMBLEM                     | 1        |         |

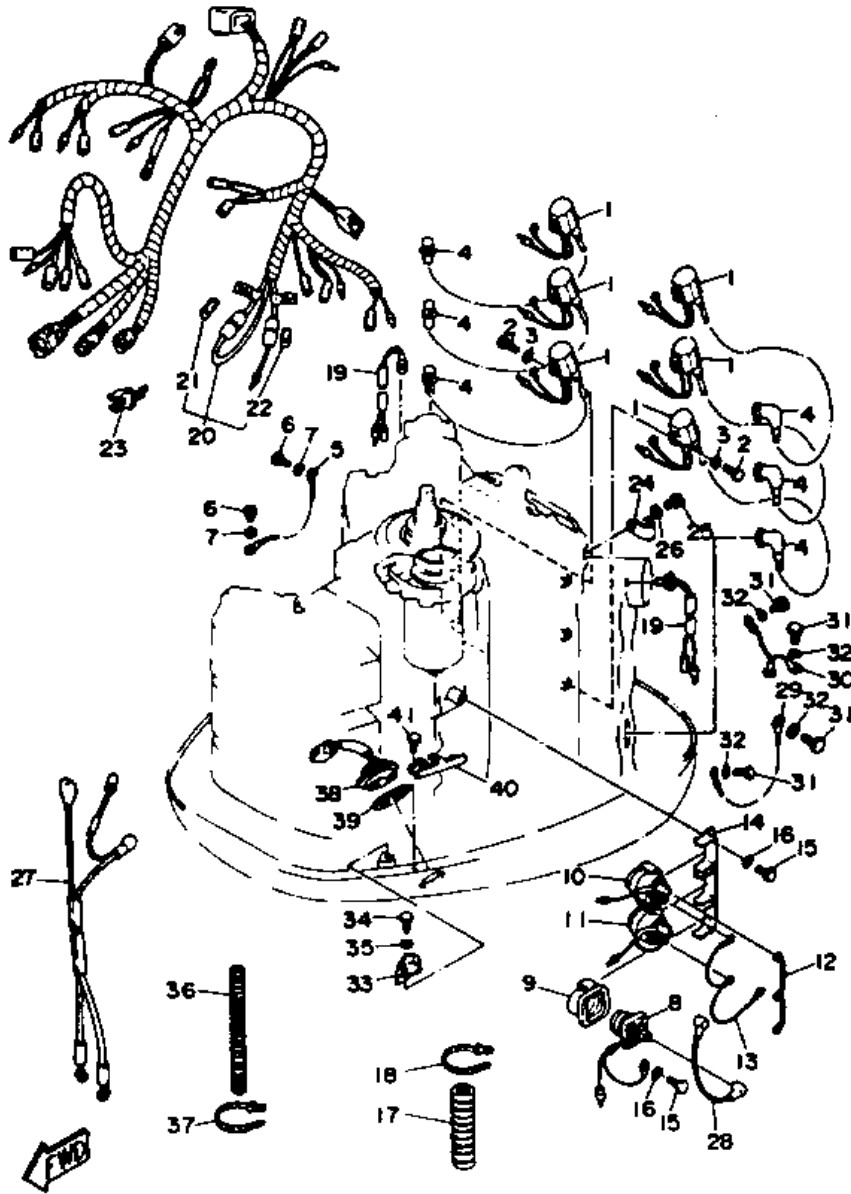
## Part Notes

225TXRR 1993 / ELECTRIC PARTS 1

| PART NUMBER    |   | NOTE TEXT   |
|----------------|---|---|
| 92990-06600-00 |  | OEM: This part number is among the Top 100 Most Popular Marine Maintenance Parts as of August 2013. |
| 92990-06600-00 |  | OEM: This part number is among the Top 100 Most Popular Marine Maintenance Parts as of August 2013. |
| 92990-06600-00 |  | OEM: This part number is among the Top 100 Most Popular Marine Maintenance Parts as of August 2013. |
| 92990-06600-00 |  | OEM: This part number is among the Top 100 Most Popular Marine Maintenance Parts as of August 2013. |

©2013 Yamaha Motor Corporation, U.S.A. All rights reserved.

225TXRR 1993 / ELECTRIC PARTS 2



©2013 Yamaha Motor Corporation, U.S.A. All rights reserved.





## Part List

225TXRR 1993 / ELECTRIC PARTS 2



| REF - NO | PART NUMBER     | PART NAME               | QUANTITY | REMARKS |
|----------|-----------------|-------------------------|----------|---------|
| 1        | 6R3-85570-00-00 | IGNITION COIL ASSEMBLY  | 6        |         |
| 2        | 97395-06020-00  | BOLT, HEXAGON           | 6        |         |
| 3        | 92990-06600-00  | WASHER, PLATE           | 6        |         |
| 4        | 6E3-82370-20-00 | PLUG CAP ASSY           | 6        |         |
| 5        | 662-82519-00-00 | WIRE, EARTH LEAD        | 1        |         |
| 6        | 97395-06012-00  | BOLT                    | 2        |         |
| 7        | 92990-06600-00  | WASHER, PLATE           | 2        |         |
| 8        | 6E5-81941-11-00 | STARTER RELAY ASSY      | 1        |         |
| 9        | 689-81952-10-00 | HOLDER, RELAY           | 1        |         |
| 10       | 6E5-81950-00-00 | RELAY ASSY              | 1        |         |
| 11       | 6E5-8195A-00-00 | RELAY ASSY              | 1        |         |
| 12       | 6G5-87149-10-00 | CONNECTOR               | 1        |         |
| 13       | 6E5-82116-00-00 | WIRE, MINUS LEAD        | 1        |         |
| 14       | 6G5-81948-11-00 | BRACKET                 | 1        |         |
| 15       | 97395-06016-00  | BOLT                    | 2        |         |
| 16       | 92990-06600-00  | WASHER, PLATE           | 2        |         |
| 17       | 6E9-83557-70-00 | TUBE                    | 1        |         |
| 18       | 90465-13M36-00  | CLAMP                   | 1        |         |
| 19       | 688-82560-10-00 | THERMO SWITCH ASSY      | 2        |         |
| 20       | 6R5-82590-12-00 | WIRE HARNESS ASSEMBLY   | 1        |         |
| 21       | 682-82151-00-00 | .FUSE (12V-20A)         | 1        |         |
| 22       | 705-82151-00-00 | .FUSE (30A)             | 1        |         |
| 23       | 6G5-82152-00-00 | HOLDER, FUSE            | 2        |         |
| 24       | 90465-08028-00  | CLAMP                   | 1        |         |
| 25       | 97395-06012-00  | BOLT                    | 1        |         |
| 26       | 92990-06600-00  | WASHER, PLATE           | 1        |         |
| 27       | 6R5-82105-01-00 | WIRE HARNESS            | 1        |         |
| 28       | 6K7-82117-00-00 | WIRE, LEAD              | 1        |         |
| 29       | 6R3-82519-00-00 | WIRE, EARTH LEAD        | 1        |         |
| 30       | 6E5-82531-00-00 | WIRE, LEAD              | 1        |         |
| 31       | 97395-06012-00  | BOLT                    | 4        |         |
| 32       | 92990-06600-00  | WASHER, PLATE           | 4        |         |
| 33       | 90465-12M25-00  | CLAMP                   | 1        |         |
| 34       | 97395-06012-00  | BOLT                    | 1        |         |
| 35       | 92990-06600-00  | WASHER, PLATE           | 1        |         |
| 36       | 6K8-83557-00-00 | TUBE                    | 1        |         |
| 37       | 90465-13M36-00  | CLAMP                   | 1        |         |
| 38       | 6R3-82563-00-00 | TRIM & TILT SWITCH ASSY | 1        |         |
| 39       | 6E5-82587-00-00 | GASKET                  | 1        |         |
| 40       | 6R3-83614-00-00 | BRACKET                 | 1        |         |
| 41       | 97395-06016-00  | BOLT                    | 2        |         |

## Part Notes

225TXRR 1993 / ELECTRIC PARTS 2

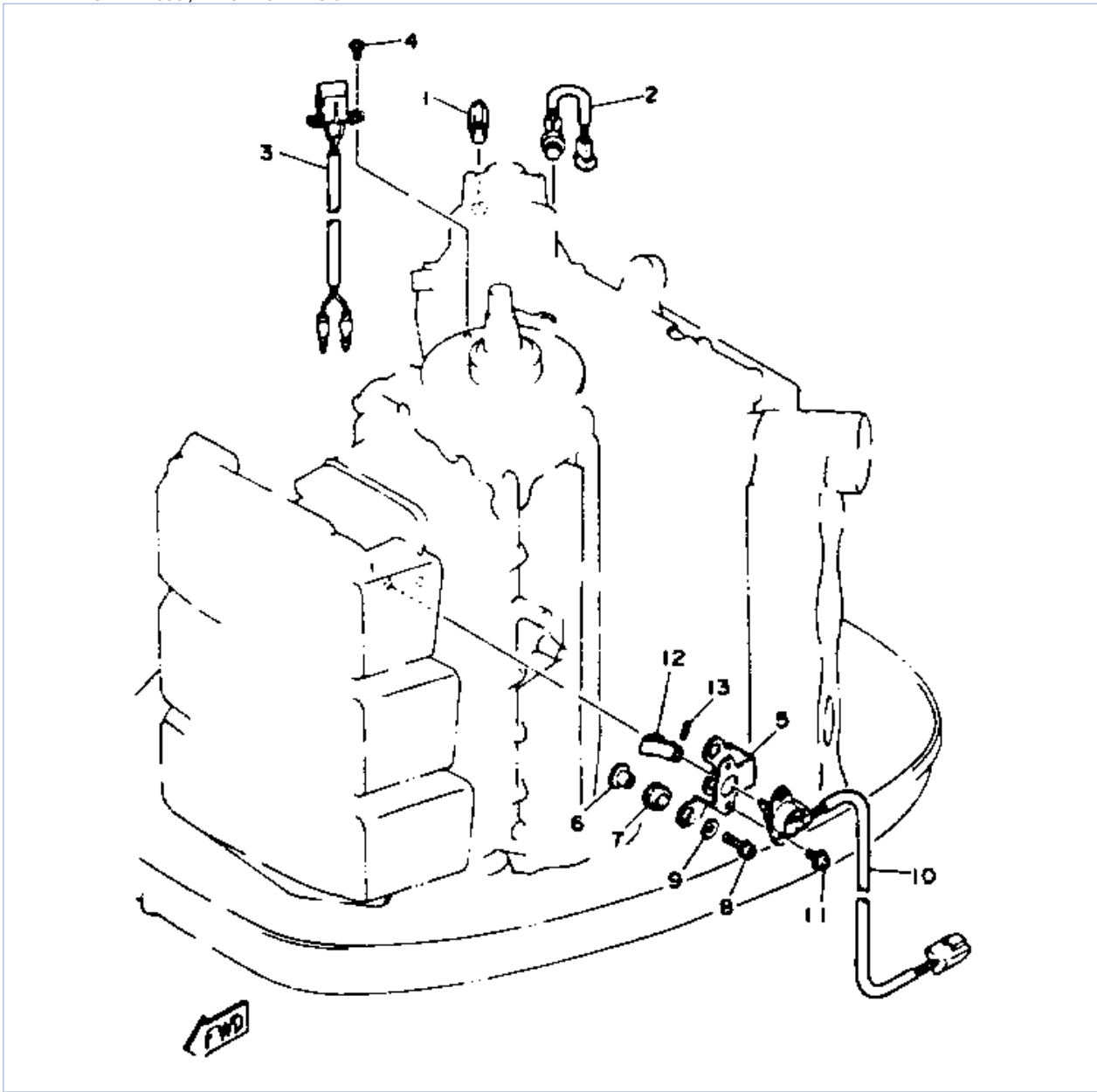
| PART NUMBER    |   | NOTE TEXT   |
|----------------|---|---|
| 92990-06600-00 |  | OEM: This part number is among the Top 100 Most Popular Marine Maintenance Parts as of August 2013. |
| 92990-06600-00 |  | OEM: This part number is among the Top 100 Most Popular Marine Maintenance Parts as of August 2013. |
| 92990-06600-00 |  | OEM: This part number is among the Top 100 Most Popular Marine Maintenance Parts as of August 2013. |
| 92990-06600-00 |  | OEM: This part number is among the Top 100 Most Popular Marine Maintenance Parts as of August 2013. |
| 92990-06600-00 |   | OEM: This part number is among the Top 100 Most Popular Marine Maintenance Parts as of August 2013. |



|                |   |   |
|----------------|---|---|
|                |  |   |
| 92990-06600-00 |  | OEM: This part number is among the Top 100 Most Popular Marine Maintenance Parts as of August 2013. |

©2013 Yamaha Motor Corporation, U.S.A. All rights reserved.

225TXRR 1993 / ELECTRIC PARTS 3



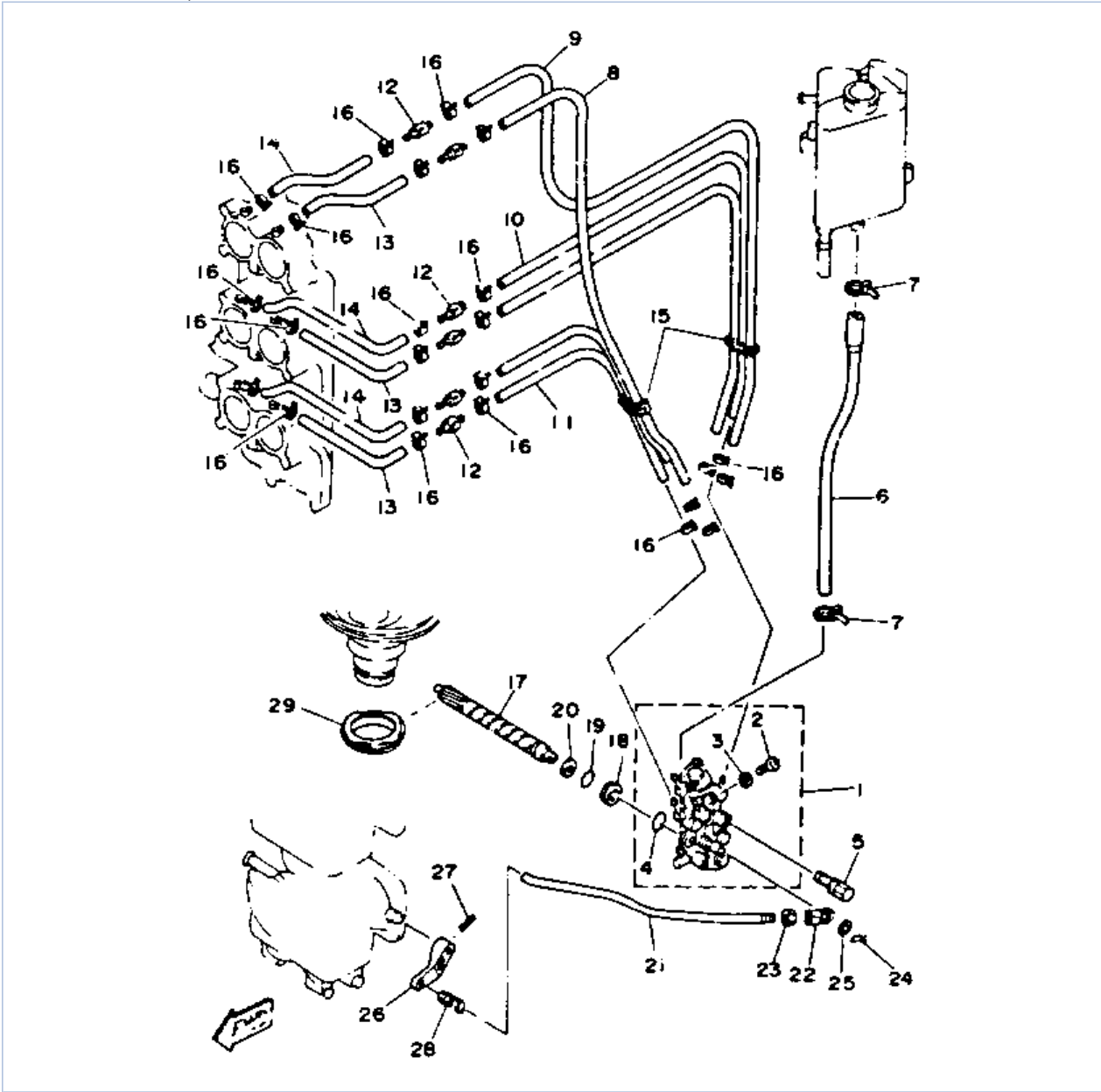
©2013 Yamaha Motor Corporation, U.S.A. All rights reserved.

## Part List

225TXRR 1993 / ELECTRIC PARTS 3

| REF<br>-<br>NO | PART<br>NUMBER  | PART NAME                   | QUANTITY | REMARKS |
|----------------|-----------------|-----------------------------|----------|---------|
| 1              | 6G7-85780-00-00 | SENSOR, KNOCK               | 1        |         |
| 2              | 6R5-85790-00-00 | THERMOSENSOR ASSEMBLY       | 1        |         |
| 3              | 6R5-85895-00-00 | CRANK POSITION SENDER       | 1        |         |
| 4              | 98580-05012-00  | SCREW, PAN HEAD             | 2        |         |
| 5              | 6K7-85886-00-00 | BRACKET                     | 1        |         |
| 6              | 90387-05M00-00  | COLLAR                      | 3        |         |
| 7              | 90480-10M23-00  | GROMMET                     | 3        |         |
| 8              | 97985-05325-00  | SCREW, WITH WASHER          | 3        |         |
| 9              | 90201-05M03-00  | WASHER, PLATE               | 3        |         |
| 10             | 6R5-85885-01-00 | THROTTLE SENSOR<br>ASSEMBLY | 1        |         |
| 11             | 97985-05212-00  | SCREW, WITH WASHER          | 2        |         |
| 12             | 6K7-14573-00-00 | LEVER                       | 1        |         |
| 13             | 91690-30016-00  | PIN, SPRING                 | 1        |         |

225TXRR 1993 / OIL PUMP



©2013 Yamaha Motor Corporation, U.S.A. All rights reserved.


## Part List

225TXRR 1993 / OIL PUMP

| REF - NO | PART NUMBER     | PART NAME                   | QUANTITY | REMARKS |
|----------|-----------------|-----------------------------|----------|---------|
| 1        | 6R5-13200-10-00 | OIL INJECTION PUMP ASSEMBLY | 1        |         |
| 2        | 716-24444-00-00 | .PLUG, DRAIN                | 1        |         |
| 3        | 6L2-13475-00-00 | .GASKET                     | 1        |         |
| 4        | 93210-19MA7-00  | .O-RING                     | 1        |         |
| 5        | 90109-06M40-00  | BOLT                        | 2        |         |
| 6        | 6R3-13416-00-00 | PIPE, OIL 1                 | 1        |         |
| 7        | 90465-11M10-00  | CLAMP                       | 2        |         |
| 8        | 90445-07M46-00  | HOSE (L360)                 | 1        |         |
| 9        | 90445-07M45-00  | HOSE (L340)                 | 1        |         |
| 10       | 90445-07MA4-00  | HOSE (L280)                 | 2        |         |
| 11       | 90445-07M23-00  | HOSE (L408)                 | 2        |         |
| 12       | 6R3-13183-00-00 | VALVE, CHECK                | 6        |         |
| 13       | 90445-07M87-00  | HOSE (L110)                 | 3        |         |
| 14       | 90445-07M07-00  | HOSE (L180)                 | 3        |         |
| 15       | 90464-07M05-00  | CLAMP                       | 2        |         |
| 16       | 90468-07M02-00  | CLIP                        | 24       |         |
| 17       | 6R3-11537-00-00 | GEAR, DRIVEN                | 1        |         |
| 18       | 6R3-13117-00-00 | COLLAR, DISTANCE            | 1        |         |
| 19       | 93210-13595-00  | O-RING                      | 1        |         |
| 20       | 90202-08M44-00  | WASHER, PLATE               | 1        |         |
| 21       | 6R5-41241-00-00 | ROD, LINK                   | 1        |         |
| 22       | 6H1-41237-00-00 | JOINT, LINK                 | 1        |         |
| 23       | 95380-05600-00  | NUT                         | 1        |         |
| 24       | 90468-05M03-00  | CLIP                        | 1        |         |
| 25       | 90202-05088-00  | WASHER, PLATE               | 1        |         |
| 26       | 6E5-14276-01-00 | LEVER                       | 1        |         |
| 27       | 91690-30016-00  | PIN, SPRING                 | 1        |         |
| 28       | 6R5-41237-00-00 | JOINT, LINK                 | 1        |         |
| 29       | 6R3-11536-00-00 | GEAR, DRIVE                 | 1        |         |

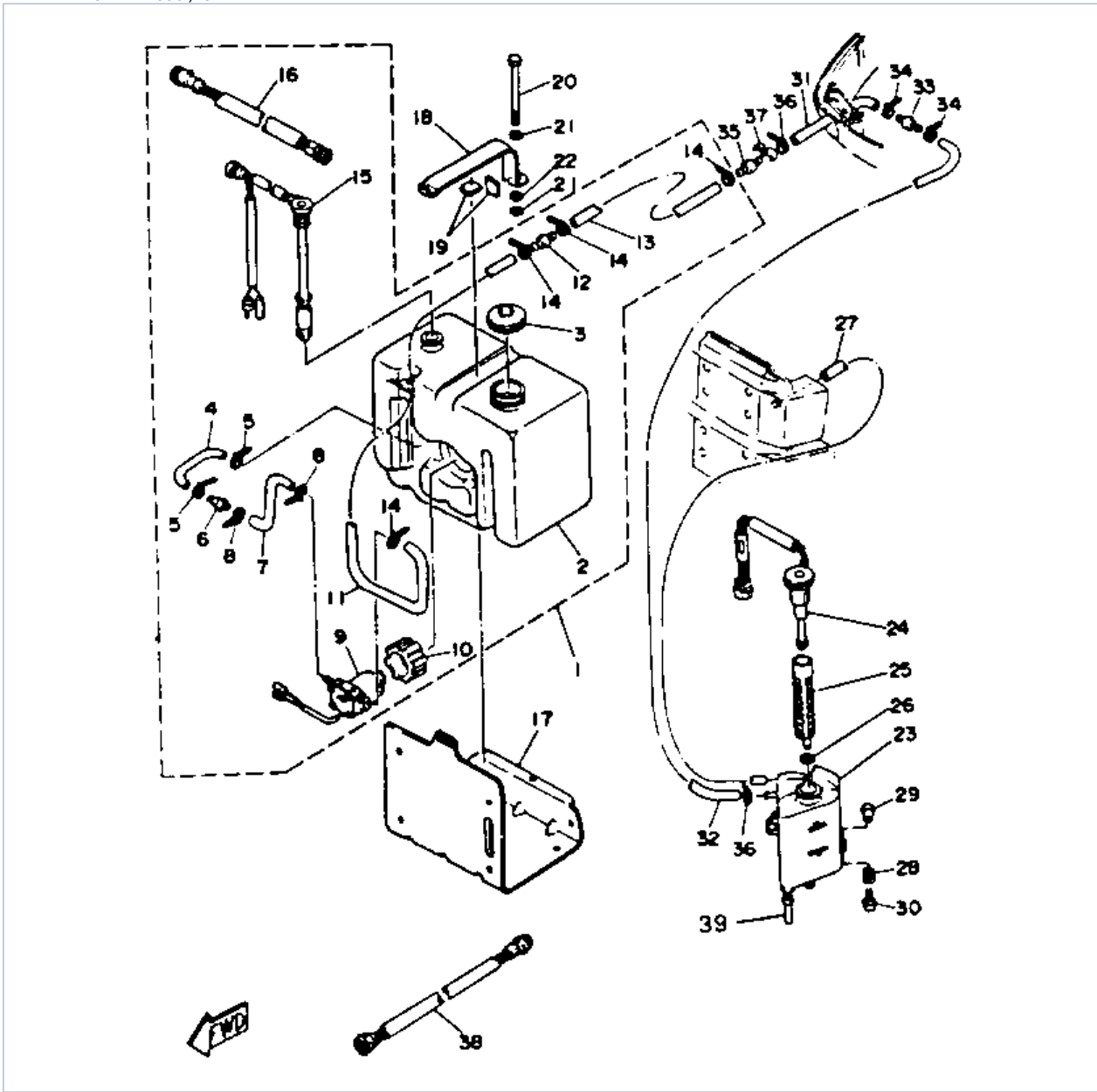
## Part Notes

225TXRR 1993 / OIL PUMP

| PART NUMBER   | NOTE TEXT   |
|---|---|
| 6H1-41237-00-00  | OEM: This part number is among the Top 100 Most Popular Marine Maintenance Parts as of August 2013. |

©2013 Yamaha Motor Corporation, U.S.A. All rights reserved.

225TXRR 1993 / OIL TANK



©2013 Yamaha Motor Corporation, U.S.A. All rights reserved.



## Part List

225TXRR 1993 / OIL TANK

| REF - NO | PART NUMBER     | PART NAME                       | QUANTITY | REMARKS       |
|----------|-----------------|---------------------------------|----------|---------------|
| 1        | 6E5-21708-05-00 | OIL TANK SUB-ASSY               | 1        |               |
| 2        | 6E5-21733-02-00 | .SUB TANK, OIL (105L)           | 1        |               |
| 3        | 6E5-21770-03-00 | .OIL TANK CAP ASSY              | 1        |               |
| 4        | 6E5-24322-00-00 | .PIPE 11                        | 1        |               |
| 5        | 90465-11M10-00  | .CLAMP                          | 2        |               |
| 6        | 646-24251-02-00 | .STRAINER 1                     | 1        |               |
| 7        | 6E5-24319-01-00 | .PIPE, OIL                      | 1        |               |
| 8        | 90465-11M10-00  | .CLAMP                          | 2        |               |
| 9        | 6E5-81900-01-00 | .OIL FEED PUMP ASSY             | 1        |               |
| 10       | 6E5-81922-00-00 | .GROMMET                        | 1        |               |
| 11       | 6E5-24321-01-00 | .PIPE 10                        | 1        |               |
| 12       | 6E5-24379-00-00 | .PIPE, JOINT 4                  | 1        |               |
| 13       | 90445-11M81-00  | .HOSE (L3000)                   | 1        |               |
| 14       | 90465-11M10-00  | .CLAMP                          | 4        |               |
| 15       | 6E5-85720-02-00 | .OIL LEVEL GAUGE ASSY           | 1        |               |
| 16       | 6N7-85721-00-00 | .WIRE, LEAD                     | 1        | UR ULTRA LONG |
| 16       | 6E5-85721-10-00 | .WIRE LEAD (6E5-85721-01-00)    | 1        | UR LONG       |
| 17       | 6E5-21734-01-33 | HOLDER, OIL SUB TANK            | 1        |               |
| 18       | 6E5-21798-01-33 | BRACKET, DAMPER                 | 1        |               |
| 19       | 6E5-21746-00-00 | DAMPER                          | 2        |               |
| 20       | 97380-06100-00  | BOLT, HEXAGON (91201-06100)     | 1        |               |
| 21       | 92990-06600-00  | WASHER, PLATE                   | 2        |               |
| 22       | 95380-06600-00  | NUT, HEXAGON                    | 1        |               |
| 23       | 6E5-21750-04-00 | OIL TANK ASSY (6E5-21750-03-00) | 1        |               |
| 24       | 6R3-85730-02-00 | OIL LEVEL GAUGE ASSY            | 1        |               |
| 25       | 6E5-13411-00-00 | STRAINER, OIL                   | 1        |               |
| 26       | 6E5-13414-00-00 | GASKET, STRAINER COVER          | 1        |               |
| 27       | 90445-05M02-00  | HOSE (L380)                     | 1        |               |
| 28       | 6A0-82317-00-00 | DAMPER, IGNITION COIL           | 3        |               |
| 29       | 624-42542-00-00 | PIPE                            | 3        |               |
| 30       | 90119-06M65-00  | BOLT, WITH WASHER               | 3        |               |
| 31       | 6R3-24323-10-00 | PIPE 12                         | 1        |               |
| 32       | 90445-12M02-00  | HOSE (LONG)                     | 1        | UR LONG       |
| 32       | 90445-12M05-00  | HOSE                            | 1        | UR ULTRA LONG |
| 33       | 6E5-24379-00-00 | PIPE, JOINT 4                   | 1        |               |
| 34       | 90465-11M10-00  | CLAMP                           | 2        |               |
| 35       | 6E5-24379-00-00 | PIPE, JOINT 4                   | 1        |               |
| 36       | 90465-11M10-00  | CLAMP                           | 2        |               |
| 37       | 90464-13M34-00  | CLAMP                           | 1        |               |
| 38       | 6E5-82521-10-00 | EXT, HRN.OIL IND.LG             | 1        | UR ULTRA LONG |
| 38       | 6N7-82521-00-00 | WIRE, LEAD                      | 1        | UR LONG       |
| 39       | 6E5-13448-00-00 | .CAP                            | 1        |               |

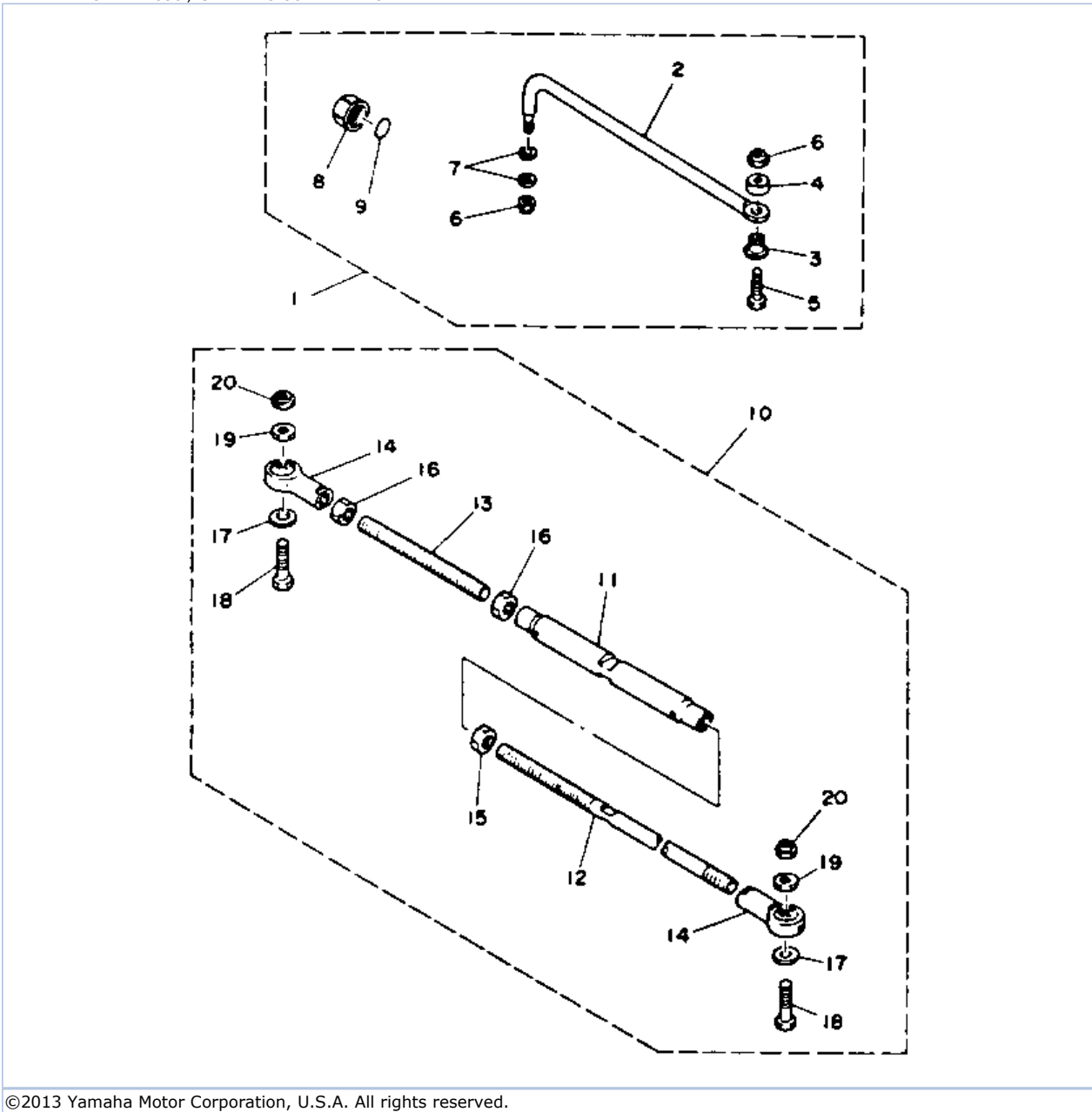
## Part Notes

225TXRR 1993 / OIL TANK

| PART NUMBER     |   | NOTE TEXT   |
|-----------------|---|---|
| 646-24251-02-00 |  | OEM: This part number is among the Top 100 Most Popular Marine Maintenance Parts as of August 2013. |
| 92990-06600-00  |  | OEM: This part number is among the Top 100 Most Popular Marine Maintenance Parts as of August 2013. |

©2013 Yamaha Motor Corporation, U.S.A. All rights reserved.

225TXRR 1993 / STEERING GUIDE ATTACHMENT 1



©2013 Yamaha Motor Corporation, U.S.A. All rights reserved.

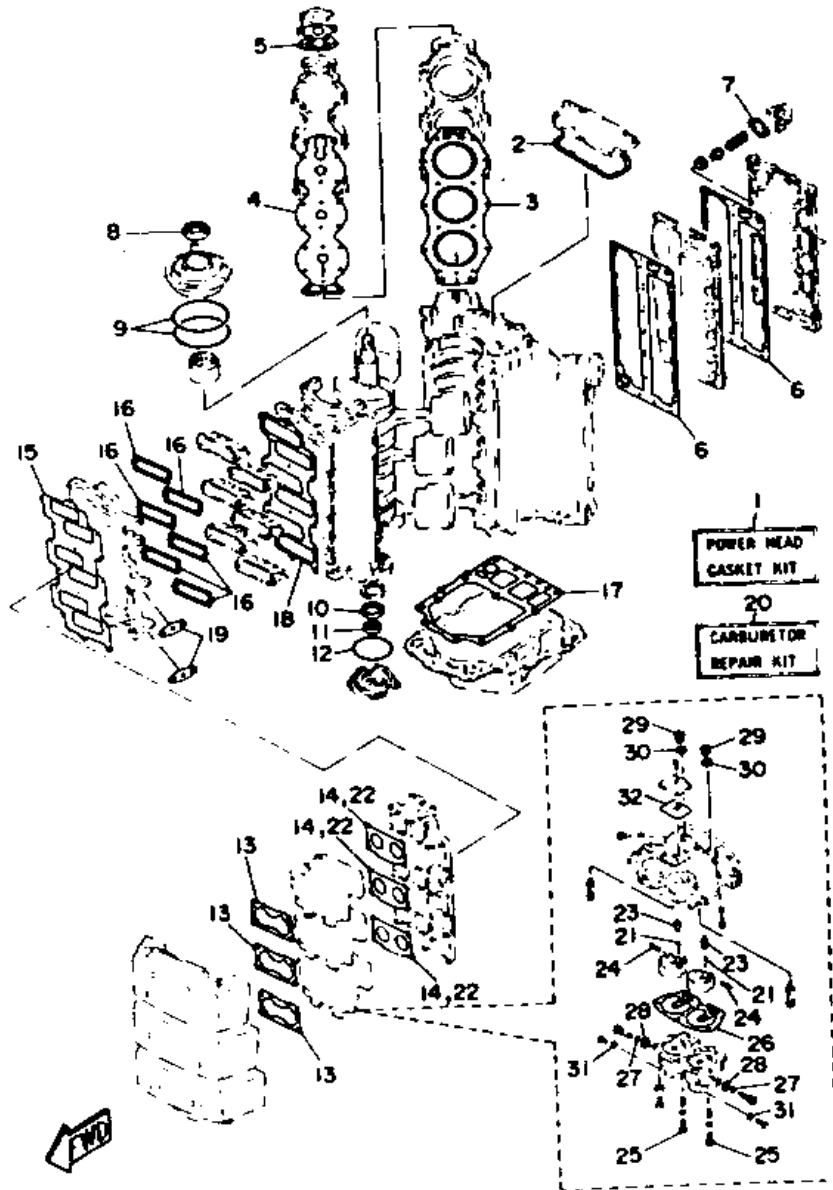


## Part List

225TXRR 1993 / STEERING GUIDE ATTACHMENT 1

| REF<br>-<br>NO | PART<br>NUMBER  | PART NAME                        | QUANTITY | REMARKS |
|----------------|-----------------|----------------------------------|----------|---------|
| 1              | 6E5-61350-01-00 | STEERING GUIDE<br>ATTACHMENT KIT | 1        |         |
| 2              | 6E5-61351-00-00 | .ROD, STEERING LINK              | 1        |         |
| 3              | 90387-10M61-00  | .COLLAR                          | 1        |         |
| 4              | 90560-12M01-00  | .SPACER                          | 1        |         |
| 5              | 6E5-61355-00-00 | .BOLT                            | 1        |         |
| 6              | 90185-09M01-00  | .NUT, SELF-LOCKING               | 2        |         |
| 7              | 90201-10M20-00  | .WASHER, PLATE                   | 2        |         |
| 8              | 6E5-43145-00-00 | .CAP, CLAMP BRACKET              | 1        |         |
| 9              | 93210-16275-00  | .O-RING                          | 1        |         |
| 10             | ABA-DUALT-IE-BR | TWIN KIT (L:600-800M)            | 1        |         |
| 11             | 6E5-61313-00-00 | .ADJUSTER                        | 1        |         |
| 12             | 6E5-61311-11-00 | .TIE BAR                         | 1        |         |
| 13             | 6E5-61315-00-00 | .TIE BAR                         | 1        |         |
| 14             | 6E5-61303-00-00 | .STEERING AXLE COMP              | 2        |         |
| 15             | 90170-14M06-00  | .NUT                             | 1        |         |
| 16             | 95380-14700-00  | .NUT                             | 2        |         |
| 17             | 90201-10M76-00  | .WASHER, PLATE                   | 2        |         |
| 18             | 90101-09M70-00  | .BOLT                            | 2        |         |
| 19             | 90170-09M05-00  | .NUT                             | 2        |         |
| 20             | 90185-09M01-00  | .NUT, SELF-LOCKING               | 2        |         |

225TXRR 1993 / REPAIR KIT 1



©2013 Yamaha Motor Corporation, U.S.A. All rights reserved.



## Part List

225TXRR 1993 / REPAIR KIT 1

| REF<br>-<br>NO | PART<br>NUMBER  | PART NAME                       | QUANTITY | REMARKS |
|----------------|-----------------|---------------------------------|----------|---------|
| 1              | 6K7-W0001-04-00 | POWER HEAD GASKET KIT           | 1        |         |
| 2              | 6E5-11381-A1-00 | .GASKET 1                       | 1        |         |
| 3              | 6G5-11181-A0-00 | .GASKET, CYLINDER HEAD 1        | 2        |         |
| 4              | 6G5-11193-A0-00 | .GASKET, HEAD COVER 1           | 2        |         |
| 5              | 688-12414-A1-00 | .GASKET, COVER                  | 2        |         |
| 6              | 6G5-41112-A0-00 | .GASKET, EXHAUST INNER<br>COVER | 2        |         |
| 7              | 6G5-11382-A1-00 | .GASKET 2                       | 1        |         |
| 8              | 93102-40M38-00  | .OIL SEAL                       | 1        |         |
| 9              | 93211-04384-00  | .O-RING                         | 2        |         |
| 10             | 93102-35M13-00  | .OIL SEAL                       | 1        |         |
| 11             | 93101-22M15-00  | .OIL SEAL                       | 1        |         |
| 12             | 93210-74M35-00  | .O-RING                         | 1        |         |
| 13             | 6K7-14483-00-00 | .GASKET                         | 1        |         |
| 14             | 6E5-14198-A1-00 | .GASKET                         | 3        |         |
| 15             | 6K7-13645-A1-00 | .GASKET, MANIFOLD 1             | 1        |         |
| 16             | 6K7-13621-A1-00 | .GASKET, VALVE SEAT             | 6        |         |
| 17             | 6G5-45113-A0-00 | .GASKET, UPPER CASING           | 1        |         |
| 18             | 6K7-13646-A1-00 | .GASKET, MANIFOLD 2             | 1        |         |
| 19             | 650-24431-A0-00 | .GASKET, FUEL PUMP 1            | 2        |         |
| 20             | 6E5-W0093-06-00 | CARBURETOR REPAIR KIT           | 1        |         |
| 21             | 6E5-14159-00-00 | .CLIP                           | 2        |         |
| 22             | 6E5-14198-A1-00 | .GASKET                         | 1        |         |
| 23             | 6E5-14546-00-00 | .VALVE, NEEDLE                  | 2        |         |
| 24             | 6E5-14386-02-00 | .PIN, FLOAT                     | 2        |         |
| 25             | 6E5-14394-00-00 | .PLUG, SLOW JET                 | 2        |         |
| 26             | 6E5-14384-03-00 | .GASKET, FLOAT CHAMBER          | 1        |         |
| 27             | 6E5-14997-00-00 | .O-RING                         | 2        |         |
| 28             | 6E5-14398-01-00 | .GASKET                         | 2        |         |
| 29             | 6E5-14328-01-00 | .PLUG                           | 2        |         |
| 30             | 6E5-14979-00-00 | .GASKET                         | 2        |         |
| 31             | 6J8-14995-00-00 | .GASKET                         | 2        |         |
| 32             | 6E5-14959-00-00 | .GASKET                         | 1        |         |

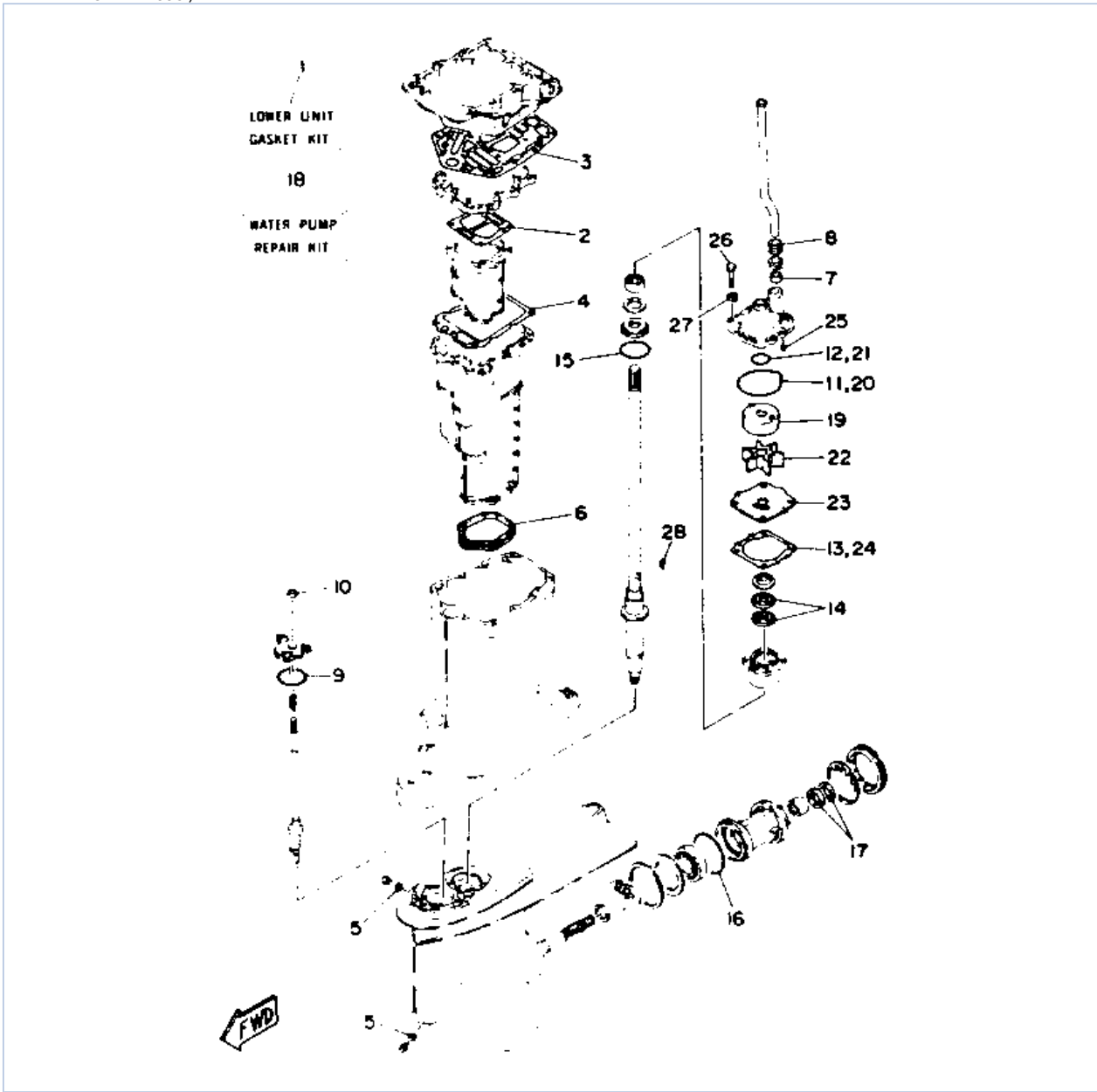
## Part Notes

225TXRR 1993 / REPAIR KIT 1

| PART NUMBER     |   | NOTE TEXT   |
|-----------------|---|---|
| 688-12414-A1-00 |  | OEM: This part number is among the Top 100 Most Popular Marine Maintenance Parts as of August 2013. |
| 650-24431-A0-00 |  | OEM: This part number is among the Top 100 Most Popular Marine Maintenance Parts as of August 2013. |

©2013 Yamaha Motor Corporation, U.S.A. All rights reserved.

225TXRR 1993 / REPAIR KIT 2



©2013 Yamaha Motor Corporation, U.S.A. All rights reserved.








## Part List

225TXRR 1993 / REPAIR KIT 2

| REF - NO | PART NUMBER     | PART NAME                 | QUANTITY | REMARKS |
|----------|-----------------|---------------------------|----------|---------|
| 1        | 6G5-W0001-21-00 | LOWER UNIT GASKET KIT     | 1        |         |
| 2        | 6G5-41134-A0-00 | .GASKET, EXHAUST MANIFOLD | 1        |         |
| 3        | 6G5-45114-A0-00 | .GASKET, UPPER CASING     | 1        |         |
| 4        | 6E5-41135-A0-00 | .GASKET, EXHAUST MANIFOLD | 1        |         |
| 5        | 90430-08020-00  | .GASKET                   | 2        |         |
| 6        | 6E5-45123-00-00 | .GASKET, MUFFLER          | 1        |         |
| 7        | 6E5-44365-00-00 | .DAMPER, WATER SEAL 1     | 1        |         |
| 8        | 6E5-44366-00-00 | .DAMPER, WATER SEAL 2     | 1        |         |
| 9        | 93210-58677-00  | .O-RING                   | 1        |         |
| 10       | 93106-09014-00  | .OIL SEAL                 | 1        |         |
| 11       | 93210-86M38-00  | .O-RING                   | 1        |         |
| 12       | 93210-37M67-00  | .O-RING                   | 1        |         |
| 13       | 6E5-44315-A0-00 | .GASKET, WATER PUMP       | 1        |         |
| 14       | 93101-28M16-00  | .OIL SEAL                 | 2        |         |
| 15       | 93210-54534-00  | .O-RING                   | 1        |         |
| 16       | 93210-97M55-00  | .O-RING                   | 1        |         |
| 17       | 93101-30M17-00  | .OIL SEAL                 | 2        |         |
| 18       | 61A-W0078-01-00 | WATER PUMP REPAIR KIT     | 1        |         |
| 19       | 61A-44322-00-00 | .INSERT, CARTRIDGE        | 1        |         |
| 20       | 93210-86M38-00  | .O-RING                   | 1        |         |
| 21       | 93210-37M67-00  | .O-RING                   | 1        |         |
| 22       | 6E5-44352-00-00 | .IMPELLER                 | 1        |         |
| 23       | 6G5-44323-00-00 | .OUTER PLATE, CARTRIDGE   | 1        |         |
| 24       | 6E5-44315-A0-00 | .GASKET, WATER PUMP       | 1        |         |
| 25       | 93606-12019-00  | .PIN, DOWEL               | 1        |         |
| 26       | 97395-08045-00  | .BOLT                     | 4        |         |
| 27       | 90209-08M02-00  | .WASHER                   | 4        |         |
| 28       | 90280-04M05-00  | .KEY, WOODRUFF            | 1        |         |

## Part Notes

225TXRR 1993 / REPAIR KIT 2

| PART NUMBER    |   | NOTE TEXT   |
|----------------|---|---|
| 90430-08020-00 |  | OEM: This part number is among the Top 100 Most Popular Marine Maintenance Parts as of August 2013. |
| 93106-09014-00 |  | OEM: This part number is among the Top 100 Most Popular Marine Maintenance Parts as of August 2013. |
| 93210-86M38-00 |  | OEM: This part number is among the Top 100 Most Popular Marine Maintenance Parts as of August 2013. |
| 93101-28M16-00 |  | OEM: This part number is among the Top 100 Most Popular Marine Maintenance Parts as of August 2013. |
| 93210-54534-00 |  | OEM: This part number is among the Top 100 Most Popular Marine Maintenance Parts as of August 2013. |
| 93101-30M17-00 |  | OEM: This part number is among the Top 100 Most Popular Marine Maintenance Parts as of August 2013. |
| 93210-86M38-00 |  | OEM: This part number is among the Top 100 Most Popular Marine Maintenance Parts as of August 2013. |

©2013 Yamaha Motor Corporation, U.S.A. All rights reserved.

©2013 Yamaha Motor Corporation, U.S.A. All rights reserved.