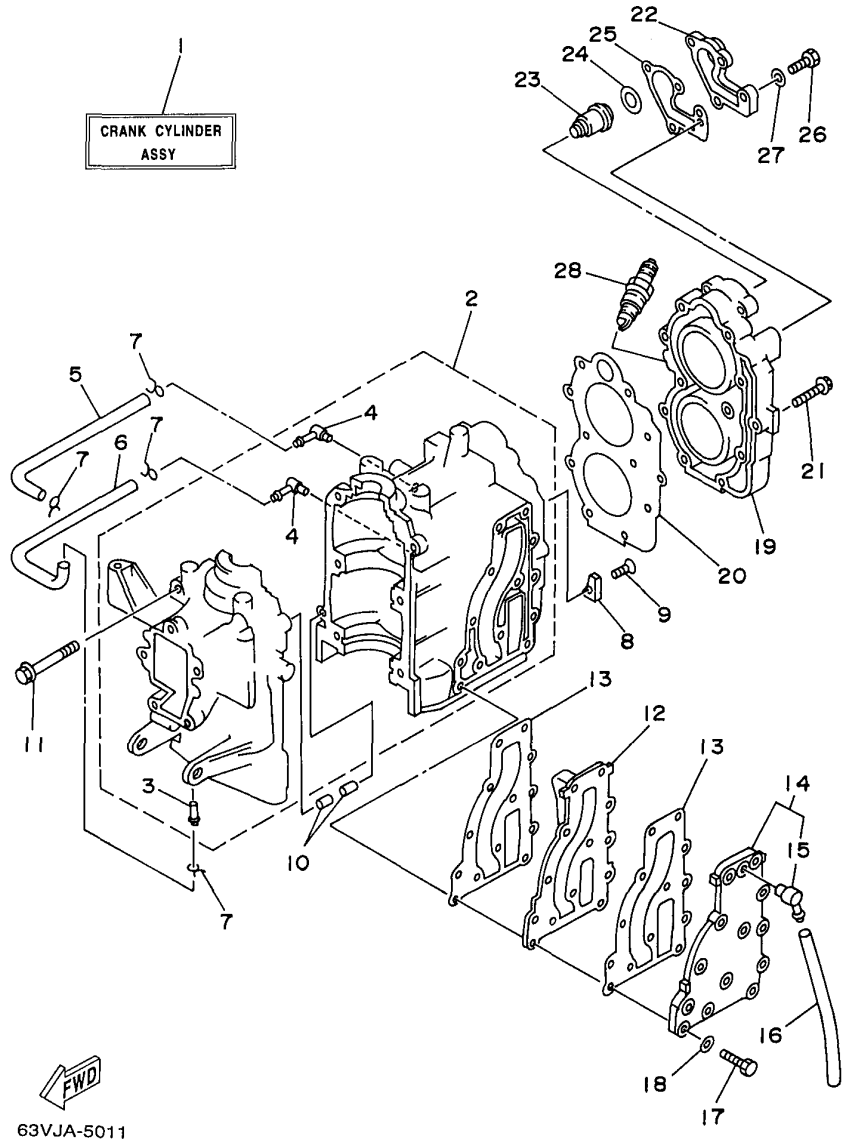


15MSHV 1997 / CYLINDER CRANKCASE



CRANK CYLINDER  
ASSY

FWD  
63VJA-5011

©2014 Yamaha Motor Corporation, U.S.A. All rights reserved.



## Part List

15MSHV 1997 / CYLINDER CRANKCASE

| REF - NO | PART NUMBER     | PART NAME                    | QUANTITY | REMARKS |
|----------|-----------------|------------------------------|----------|---------|
| 1        | 63V-W0090-02-4D | CRANK CYLINDER ASSEMBLY      | 1        |         |
| 2        | 63V-15100-02-94 | CRANKCASE ASSEMBLY           | 1        |         |
| 3        | 624-14485-00-00 | .PIPE, JOINT                 | 1        |         |
| 4        | 650-14485-02-00 | .PIPE, JOINT                 | 2        |         |
| 5        | 90445-07M08-00  | HOSE (L220)                  | 1        |         |
| 6        | 90445-07M08-00  | HOSE (L220)                  | 1        |         |
| 7        | 90467-06016-00  | CLIP                         | 4        |         |
| 8        | 682-11325-00-00 | ANODE                        | 1        |         |
| 9        | 98780-05016-00  | .SCREW, FLAT HEAD            | 1        |         |
| 10       | 93606-12019-00  | .PIN, DOWEL                  | 2        |         |
| 11       | 90119-08M07-00  | BOLT, WITH WASHER            | 6        |         |
| 12       | 63V-41111-00-9M | INNER COVER, EXHAUST         | 1        |         |
| 13       | 63V-41112-A0-00 | .GASKET, EXHAUST INNER COVER | 2        |         |
| 14       | 63V-41113-00-9M | OUTER COVER, EXHAUST         | 1        |         |
| 15       | 676-11372-00-00 | .NIPPLE, HOSE                | 1        |         |
| 16       | 90445-093J2-00  | HOSE (JN3)                   | 1        |         |
| 17       | 97095-06030-00  | BOLT                         | 13       |         |
| 18       | 92990-06600-00  | WASHER, PLATE                | 13       |         |
| 19       | 6E7-11111-01-94 | HEAD, CYLINDER 1             | 1        |         |
| 20       | 63V-11181-A1-00 | .GASKET, CYLINDER HEAD 1     | 1        |         |
| 21       | 90105-07M05-00  | BOLT, FLANGE                 | 11       |         |
| 22       | 682-12413-00-9M | COVER, THERMOSTAT            | 1        |         |
| 23       | 6E5-12411-20-00 | THERMOSTAT                   | 1        |         |
| 24       | 90201-16M03-00  | WASHER, PLATE                | 1        |         |
| 25       | 682-12414-A1-00 | .GASKET, COVER               | 1        |         |
| 26       | 97013-06020-00  | BOLT                         | 4        |         |
| 27       | 92990-06600-00  | WASHER, PLATE                | 4        |         |
| 28       | NGK-B7HS0-00-00 | NGK SPARK PLUG B7HS          | 2        |         |

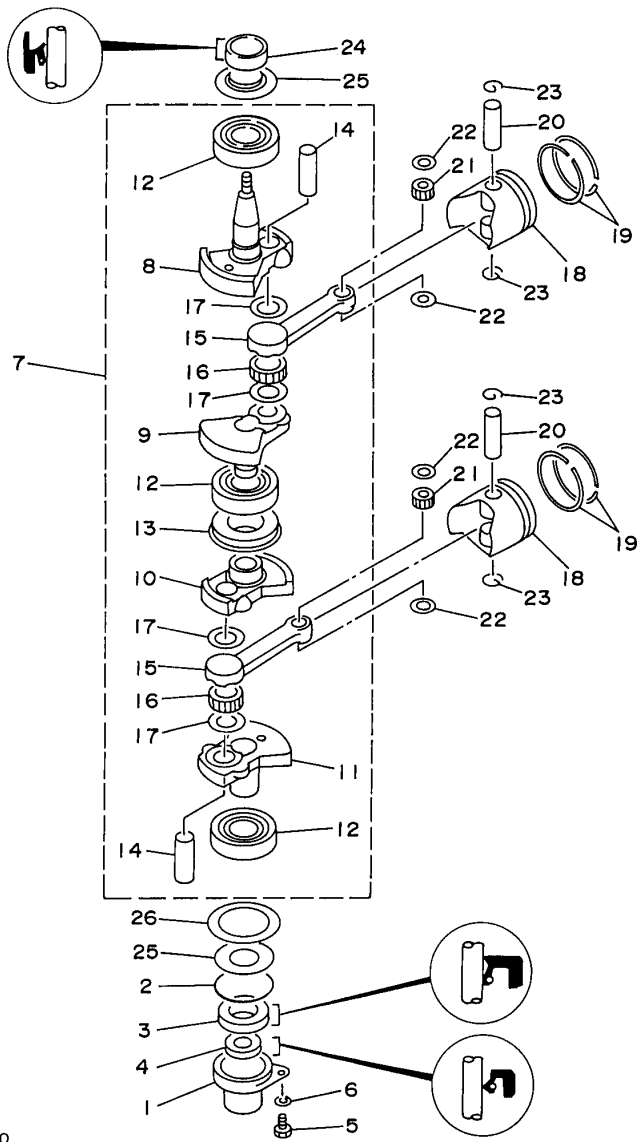
## Part Notes

15MSHV 1997 / CYLINDER CRANKCASE

| PART NUMBER    |   | NOTE TEXT  |
|----------------|---|--|
| 92990-06600-00 |  | OEM: This part number is among the Top 100 Most Popular Marine Maintenance Parts as of March 2014. |
| 92990-06600-00 |  | OEM: This part number is among the Top 100 Most Popular Marine Maintenance Parts as of March 2014. |

©2014 Yamaha Motor Corporation, U.S.A. All rights reserved.

15MSHV 1997 / CRANKSHAFT PISTON



FWD  
63VJA-5020


## Part List

15MSHV 1997 / CRANKSHAFT PISTON

| REF - NO | PART NUMBER     | PART NAME                    | QUANTITY | REMARKS |
|----------|-----------------|------------------------------|----------|---------|
| 1        | 63V-15396-00-00 | HOUSING, OIL SEAL            | 1        |         |
| 2        | 93210-46M16-00  | .O-RING                      | 1        |         |
| 3        | 93102-25M48-00  | .OIL SEAL                    | 1        |         |
| 4        | 93101-13M11-00  | OIL SEAL                     | 1        |         |
| 5        | 97095-06016-00  | BOLT                         | 1        |         |
| 6        | 92990-06600-00  | WASHER, PLATE                | 1        |         |
| 7        | 63V-11400-00-00 | CRANKSHAFT ASSEMBLY          | 1        |         |
| 8        | 63V-11412-00-00 | .CRANK 1                     | 1        |         |
| 9        | 63V-11422-00-00 | .CRANK 2                     | 1        |         |
| 10       | 63V-11432-00-00 | .CRANK 3                     | 1        |         |
| 11       | 63V-11442-00-00 | .CRANK 4                     | 1        |         |
| 12       | 93306-205U7-00  | .BEARING                     | 3        |         |
| 13       | 63V-11515-00-00 | .SEAL, LABYRINTH 1           | 1        |         |
| 14       | 682-11681-00-00 | .PIN, CRANK 1                | 2        |         |
| 15       | 650-11651-04-00 | .ROD, CONNECTING             | 2        |         |
| 16       | 93310-620V5-00  | .BEARING                     | 2        |         |
| 17       | 90209-20159-00  | .WASHER                      | 4        |         |
| 18       | 6E7-11631-00-97 | PISTON (STD)                 | 2        |         |
| 18       | 6E7-11636-00-00 | PISTON (0.50MM O/S)          | 2        | AP      |
| 18       | 6E7-11635-00-00 | PISTON (0.25MM O/S)          | 2        | AP      |
| 19       | 682-11610-01-00 | PISTON RING SET (STD)        | 2        |         |
| 19       | 682-11610-21-00 | PISTON RING SET (0.50MM O/S) | 2        | AP      |
| 19       | 682-11610-11-00 | PISTON RING SET (0.25MM O/S) | 2        | AP      |
| 20       | 634-11633-00-00 | PIN, PISTON                  | 2        |         |
| 21       | 93602-14104-00  | PIN, DOWEL                   | 50       |         |
| 22       | 90201-14377-00  | WASHER, PLATE                | 4        |         |
| 23       | 93450-15023-00  | CIRCLIP                      | 4        |         |
| 24       | 93110-23M00-00  | .OIL SEAL                    | 1        |         |
| 25       | 63V-11445-00-00 | .SPACER                      | 2        |         |
| 26       | 90201-46M29-00  | .WASHER, PLATE               | 1        |         |

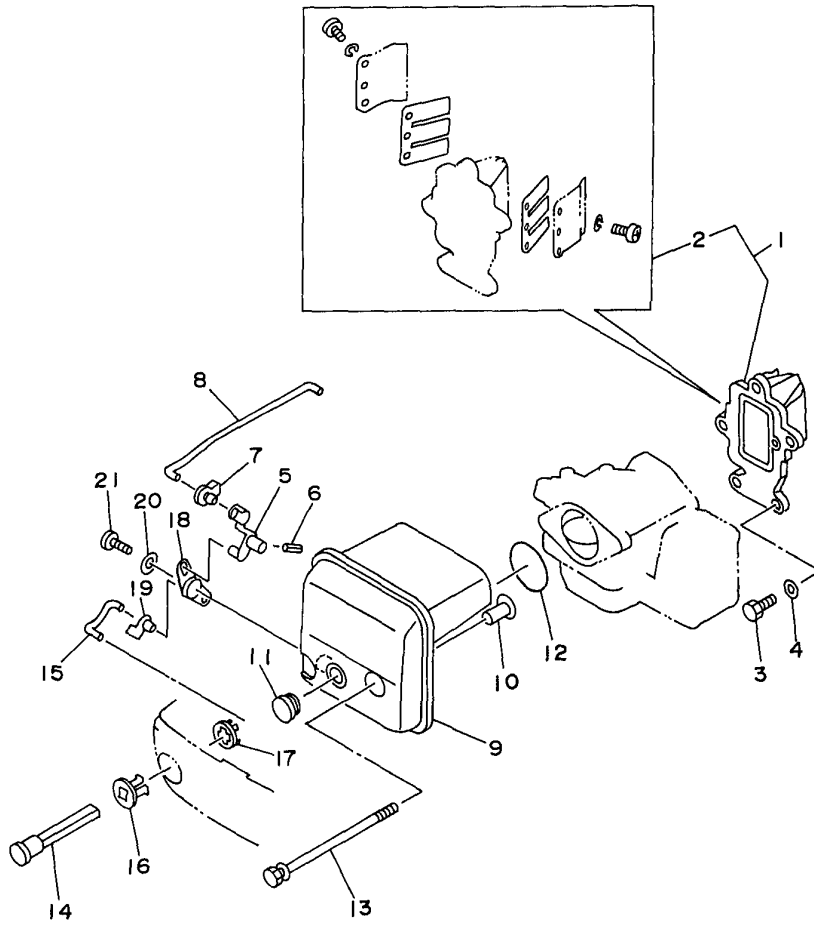
## Part Notes

15MSHV 1997 / CRANKSHAFT PISTON

| PART NUMBER  | NOTE TEXT  |
|--|--|
| 92990-06600-00  | OEM: This part number is among the Top 100 Most Popular Marine Maintenance Parts as of March 2014. |

©2014 Yamaha Motor Corporation, U.S.A. All rights reserved.

15MSHV 1997 / INTAKE



63VJA-5031


## Part List

15MSHV 1997 / INTAKE

| REF<br>-<br>NO | PART<br>NUMBER  | PART NAME             | QUANTITY | REMARKS |
|----------------|-----------------|-----------------------|----------|---------|
| 1              | 63V-13610-00-00 | REED VALVE ASSY       | 1        | UR 9.9  |
| 1              | 63W-13610-00-00 | REED VALVE ASSY       | 1        | UR 15   |
| 2              | 682-W0004-00-00 | .REED SET             | 1        |         |
| 3              | 97095-06020-00  | BOLT                  | 3        |         |
| 4              | 92990-06600-00  | WASHER, PLATE         | 3        |         |
| 5              | 63V-41253-00-00 | LEVER, CHOKE          | 1        |         |
| 6              | 91690-20010-00  | PIN, SPRING           | 1        |         |
| 7              | 63V-41262-00-00 | JOINT, CHOKE LEVER    | 1        |         |
| 8              | 63V-41257-00-00 | ROD, CHOKE 2          | 1        |         |
| 9              | 63V-14440-00-00 | SILENCER ASSY, INTAKE | 1        |         |
| 10             | 90387-06M15-00  | COLLAR                | 2        |         |
| 11             | 90480-12M25-00  | GROMMET               | 1        |         |
| 12             | 93210-35M86-00  | .O-RING               | 1        |         |
| 13             | 90119-06M94-00  | BOLT, WITH WASHER     | 2        |         |
| 14             | 6H4-41271-01-00 | KNOB, CHOKE           | 1        |         |
| 15             | 63V-41256-00-00 | ROD, CHOKE 1          | 1        |         |
| 16             | 689-41273-00-00 | GROMMET               | 1        |         |
| 17             | 6J8-41274-00-00 | GROMMET 2             | 1        |         |
| 18             | 63V-41252-00-00 | LEVER, CHOKE 1        | 1        |         |
| 19             | 661-41262-02-00 | JOINT, CHOKE LEVER    | 1        |         |
| 20             | 90201-05M09-00  | WASHER, PLATE         | 1        |         |
| 21             | 90164-05M03-00  | SCREW, TAPPING        | 1        |         |

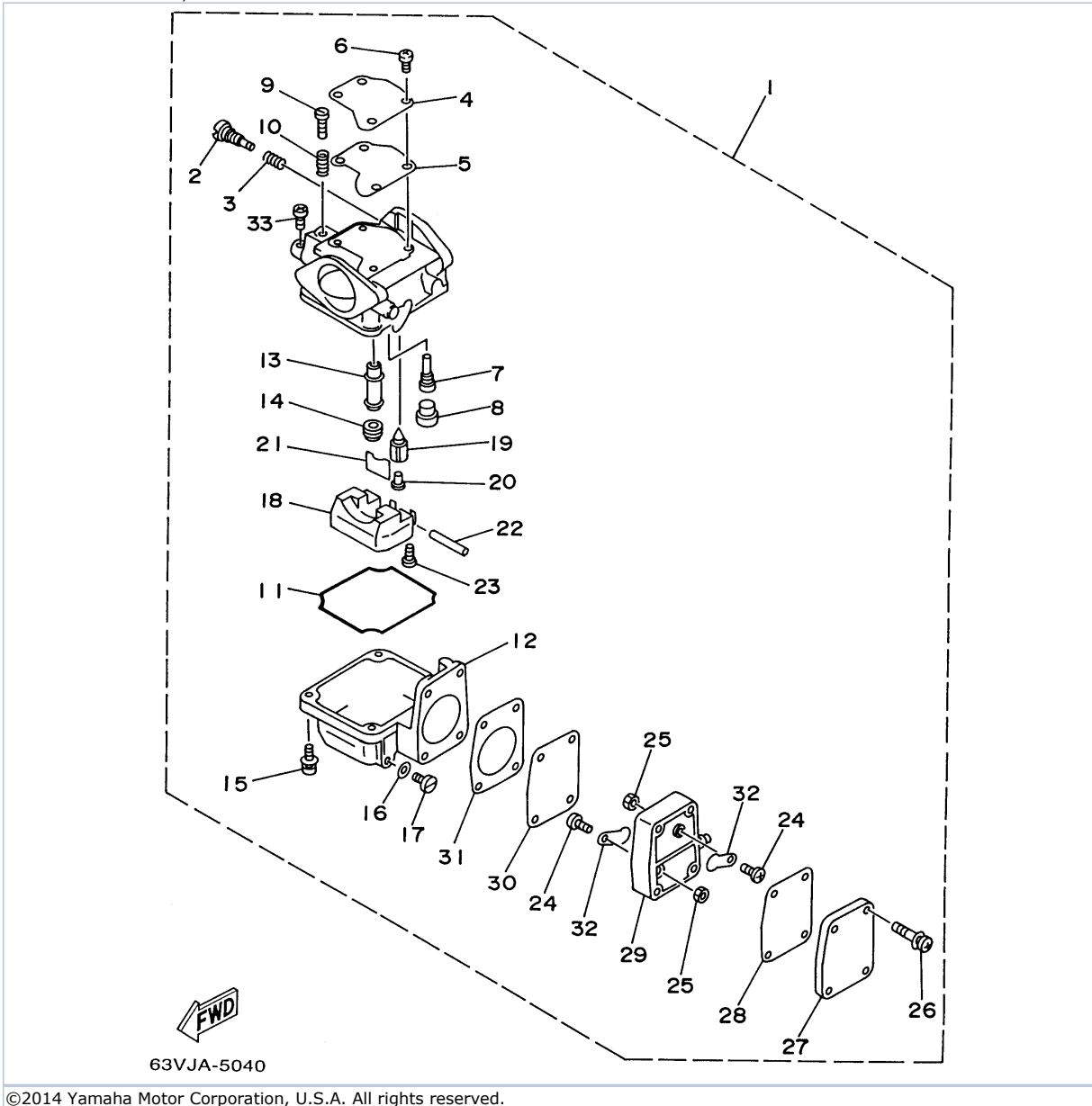
## Part Notes

15MSHV 1997 / INTAKE

| PART NUMBER  | NOTE TEXT  |
|--|--|
| 92990-06600-00  | OEM: This part number is among the Top 100 Most Popular Marine Maintenance Parts as of March 2014. |

©2014 Yamaha Motor Corporation, U.S.A. All rights reserved.

15MSHV 1997 / CARBURETOR



63VJA-5040

©2014 Yamaha Motor Corporation, U.S.A. All rights reserved.

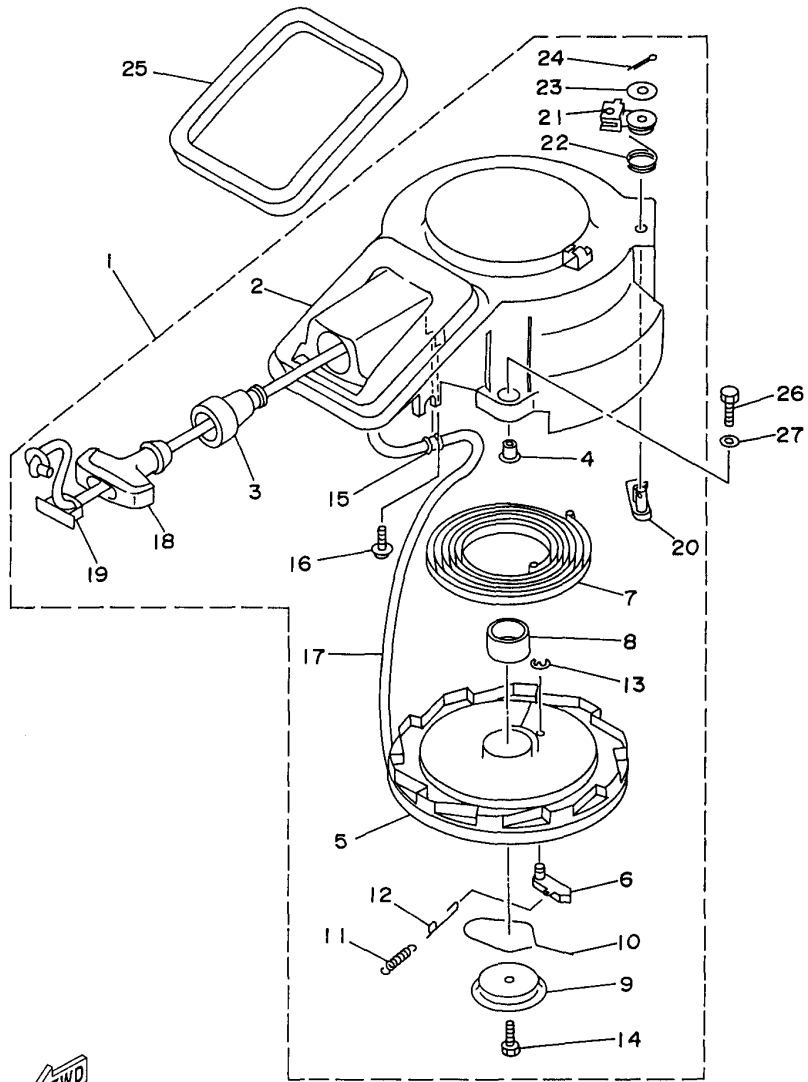
## Part List

15MSHV 1997 / CARBURETOR

| REF<br>-<br>NO | PART<br>NUMBER  | PART NAME              | QUANTITY | REMARKS |
|----------------|-----------------|------------------------|----------|---------|
| 1              | 63V-14301-00-00 | CARBURETOR ASSY 1      | 1        |         |
| 2              | 679-14923-00-00 | .SCREW, PILOT          | 1        |         |
| 3              | 679-14555-00-00 | .SPRING                | 1        |         |
| 4              | 63V-14527-00-00 | .PLATE                 | 1        |         |
| 5              | 63V-14126-00-00 | .GASKET                | 1        |         |
| 6              | 98580-04010-00  | .SCREW, PAN HEAD       | 4        |         |
| 7              | 63V-14948-06-00 | .JET (#48)             | 1        |         |
| 8              | 679-14966-00-00 | .RUBBER CAP            | 1        |         |
| 9              | 63V-14523-00-00 | .SCREW, STOP           | 1        |         |
| 10             | 90501-10326-00  | .SPRING, COMPRESSION   | 1        |         |
| 11             | 63V-14984-00-00 | .GASKET, FLOAT CHAMBER | 1        |         |
| 12             | 63V-14980-00-00 | .BODY, FLOAT CHAMBER   | 1        |         |
| 13             | 63V-14947-00-00 | .JET, NEEDLE           | 1        |         |
| 14             | 676-14943-29-00 | .JET, MAIN (#110)      | 1        |         |
| 15             | 97980-04114-00  | .SCREW, WITH WASHER    | 4        |         |
| 16             | 6G1-14398-00-00 | .WASHER                | 1        |         |
| 17             | 6G1-14992-00-00 | .SCREW, DRAIN          | 1        |         |
| 18             | 63V-14985-00-00 | .FLOAT                 | 1        |         |
| 19             | 6G1-14546-00-00 | .VALVE, NEEDLE         | 1        |         |
| 20             | 676-14186-00-00 | .PIN, FLOAT            | 1        |         |
| 21             | 663-14159-00-00 | .CLIP                  | 1        |         |
| 22             | 6H4-14548-00-00 | .PIN, FLOAT ARM        | 1        |         |
| 23             | 98580-04008-00  | .SCREW, PAN HEAD       | 1        |         |
| 24             | 98980-03006-00  | .SCREW, BIND           | 2        |         |
| 25             | 95380-03600-00  | .NUT                   | 2        |         |
| 26             | 97980-04125-00  | .SCREW, WITH WASHER    | 4        |         |
| 27             | 6G1-24452-00-00 | .COVER                 | 1        |         |
| 28             | 63V-24411-00-00 | .DIAPHRAGM             | 1        |         |
| 29             | 6G1-24412-01-00 | .BODY 1                | 1        |         |
| 30             | 6G1-24411-00-00 | .DIAPHRAGM             | 1        |         |
| 31             | 6G1-24431-01-00 | .GASKET, FUEL PUMP 1   | 1        |         |
| 32             | 6L5-24421-00-00 | .VALVE, CHECK          | 2        |         |
| 33             | 98580-04006-00  | .SCREW, PAN HEAD       | 1        |         |



15MSHV 1997 / STARTER



63VJA-5051


## Part List

15MSHV 1997 / STARTER

| REF<br>-<br>NO | PART<br>NUMBER  | PART NAME              | QUANTITY | REMARKS |
|----------------|-----------------|------------------------|----------|---------|
| 1              | 63V-15710-12-00 | STARTER ASSY           | 1        |         |
| 2              | 63V-15711-01-00 | .CASE, STARTER         | 1        |         |
| 3              | 63V-15795-01-00 | .GUIDE, ROPE           | 1        |         |
| 4              | 90387-06M05-00  | .COLLAR                | 3        |         |
| 5              | 63V-15714-00-00 | .DRUM, SHEAVE          | 1        |         |
| 6              | 63V-15741-00-00 | .PAWL, DRIVE           | 1        |         |
| 7              | 63V-15713-00-00 | .SPRING, STARTER       | 1        |         |
| 8              | 63V-15753-00-00 | .BUSH                  | 1        |         |
| 9              | 63V-15716-00-00 | .PLATE, DRIVE          | 1        |         |
| 10             | 63V-15705-01-00 | .SPRING, DRIVE PAWL    | 1        |         |
| 11             | 63V-15767-01-00 | .SPRING                | 1        |         |
| 12             | 63V-15784-01-00 | .SPRING, RETURN        | 1        |         |
| 13             | 63V-15744-00-00 | .CIRCLIP               | 1        |         |
| 14             | 63V-15768-00-00 | .BOLT                  | 1        |         |
| 15             | 63V-15764-00-00 | .COLLAR 1              | 1        |         |
| 16             | 63V-15793-00-00 | .SCREW                 | 1        |         |
| 17             | 90580-50M01-00  | .ROPE, STARTER         | 1        |         |
| 18             | 6G1-15755-00-00 | .HANDLE, STARTER       | 1        |         |
| 19             | 6G1-15779-00-00 | .COVER                 | 1        |         |
| 20             | 63V-15794-00-00 | .STOPPER               | 1        |         |
| 21             | 63V-15748-00-00 | .PLUNGER, STARTER STOP | 1        |         |
| 22             | 63V-15734-00-00 | .SPRING, RETURN        | 1        |         |
| 23             | 63V-15726-00-00 | .WASHER, FLAT          | 1        |         |
| 24             | 91490-16020-00  | .PIN, COTTER           | 1        |         |
| 25             | 63V-15762-00-00 | SEAL, RUBBER 2         | 1        |         |
| 26             | 97095-06020-00  | BOLT                   | 3        |         |
| 27             | 92990-06600-00  | WASHER, PLATE          | 3        |         |

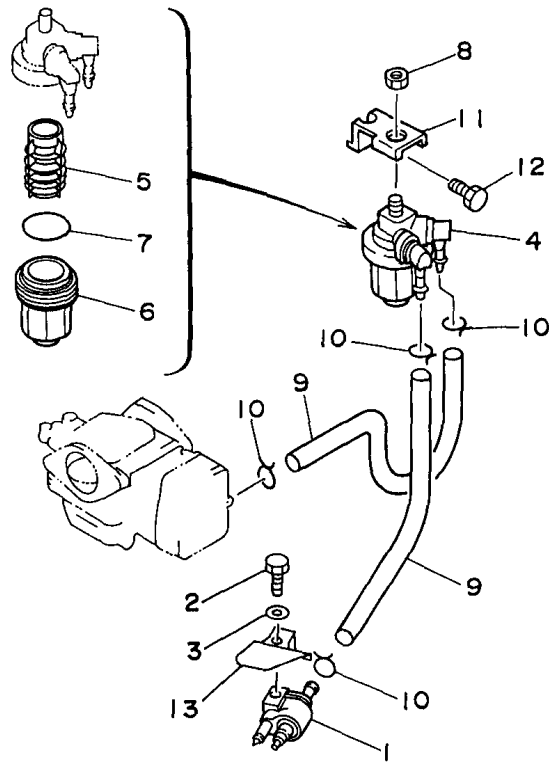
## Part Notes

15MSHV 1997 / STARTER

| PART NUMBER  | NOTE TEXT  |
|--|--|
| 92990-06600-00  | OEM: This part number is among the Top 100 Most Popular Marine Maintenance Parts as of March 2014. |

©2014 Yamaha Motor Corporation, U.S.A. All rights reserved.

15MSHV 1997 / FUEL



63VJA-5061


## Part List

15MSHV 1997 / FUEL

| REF<br>-<br>NO | PART<br>NUMBER  | PART NAME               | QUANTITY | REMARKS |
|----------------|-----------------|-------------------------|----------|---------|
| 1              | 6G1-24304-02-00 | FUEL PIPE JOINT COMP. 1 | 1        |         |
| 2              | 97095-06020-00  | BOLT                    | 1        |         |
| 3              | 92990-06600-00  | WASHER, PLATE           | 1        |         |
| 4              | 61N-24560-00-00 | FILTER ASSY             | 1        |         |
| 5              | 61N-24563-00-00 | .ELEMENT, FILTER        | 1        |         |
| 6              | 61N-24521-00-00 | .CUP, FILTER            | 1        |         |
| 7              | 93210-32738-00  | .O-RING                 | 1        |         |
| 8              | 95380-08600-00  | NUT                     | 1        |         |
| 9              | 90445-09M00-00  | HOSE (L180)             | 2        |         |
| 10             | 90467-08004-00  | CLIP                    | 4        |         |
| 11             | 682-24566-00-00 | BRACKET, FILTER         | 1        |         |
| 12             | 97013-06010-00  | BOLT                    | 1        |         |
| 13             | 63V-24396-00-00 | PLATE                   | 1        |         |

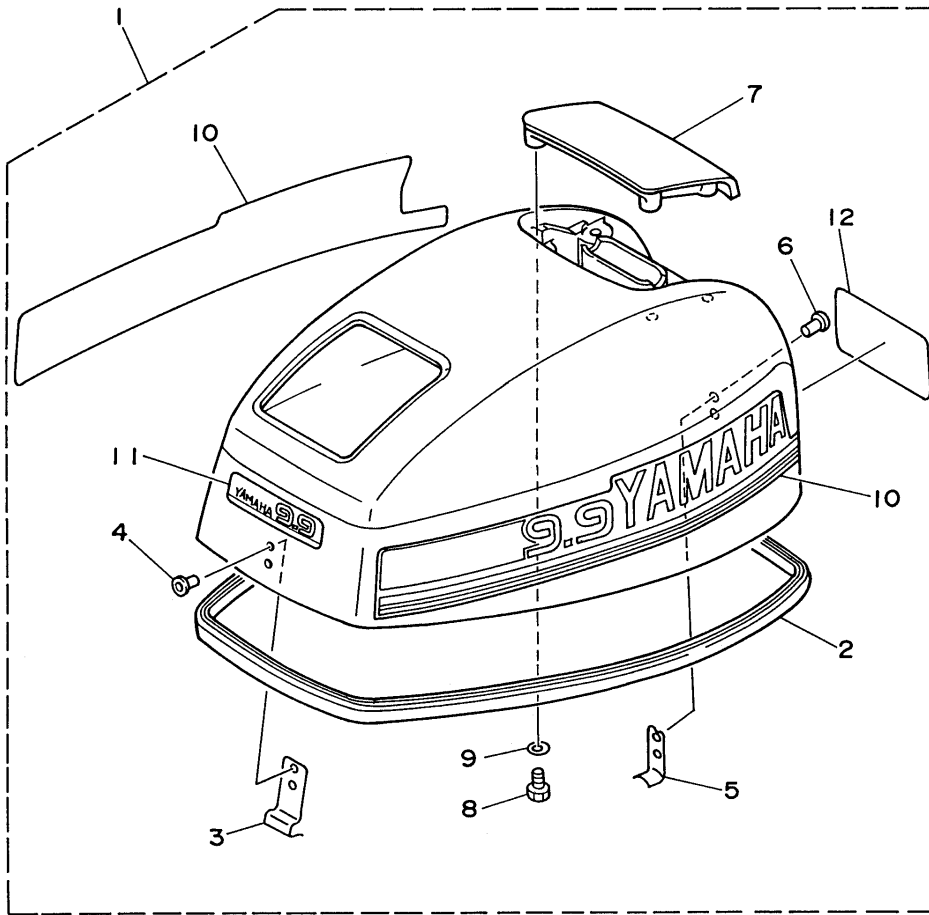
## Part Notes

15MSHV 1997 / FUEL

| PART NUMBER  | NOTE TEXT  |
|--|--|
| 92990-06600-00  | OEM: This part number is among the Top 100 Most Popular Marine Maintenance Parts as of March 2014. |

©2014 Yamaha Motor Corporation, U.S.A. All rights reserved.

15MSHV 1997 / TOP COWLING



63VJA-5070

©2014 Yamaha Motor Corporation, U.S.A. All rights reserved.


## Part List

15MSHV 1997 / TOP COWLING

| REF<br>-<br>NO | PART<br>NUMBER  | PART NAME            | QUANTITY | REMARKS |
|----------------|-----------------|----------------------|----------|---------|
| 1              | 63V-42610-10-4D | TOP COWLING ASSEMBLY | 1        | UR 9.9  |
| 1              | 63W-42610-10-4D | TOP COWLING ASSEMBLY | 1        | UR 15   |
| 2              | 63V-42615-00-00 | .SEAL                | 1        |         |
| 3              | 6G1-42651-02-00 | .HOOK                | 1        |         |
| 4              | 90266-04M04-00  | .RIVET               | 2        |         |
| 5              | 6L2-42647-00-00 | .HOLDER, CLAMP BAND  | 1        |         |
| 6              | 90266-04M04-00  | .RIVET               | 2        |         |
| 7              | 6G1-42613-00-4D | .MOLDING, AIR DUCT   | 1        |         |
| 8              | 97095-06016-00  | .BOLT                | 4        |         |
| 9              | 92990-06600-00  | .WASHER, PLATE       | 4        |         |
| 10             | 63W-W0070-10-00 | .GRAPHIC SET         | 1        | UR 15   |
| 10             | 63V-W0070-10-00 | .GRAPHIC SET         | 1        | UR 9.9  |
| 11             | 63W-42677-10-00 | .GRAPHIC, FRONT      | 1        | UR 15   |
| 11             | 63V-42677-10-00 | .GRAPHIC, FRONT      | 1        | UR 9.9  |
| 12             | 6E7-42678-11-00 | .GRAPHIC, REAR       | 1        | UR 9.9  |
| 12             | 6E8-42678-11-00 | .GRAPHIC, REAR       | 1        | UR 15   |

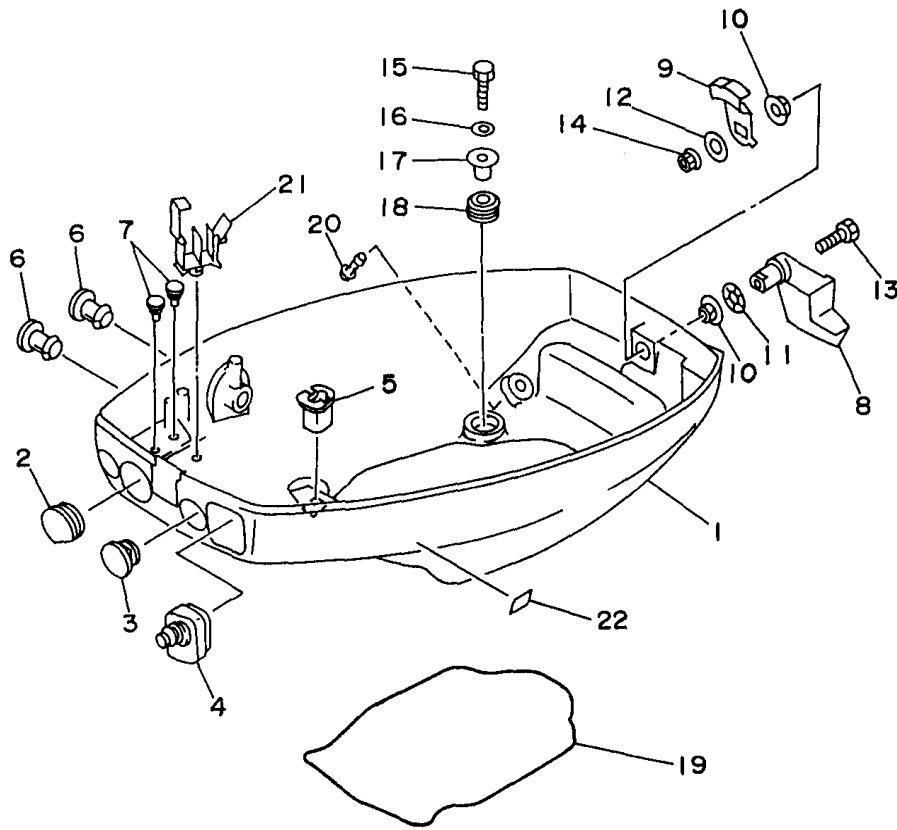
## Part Notes

15MSHV 1997 / TOP COWLING

| PART NUMBER  | NOTE TEXT  |
|--|--|
| 92990-06600-00  | OEM: This part number is among the Top 100 Most Popular Marine Maintenance Parts as of March 2014. |

©2014 Yamaha Motor Corporation, U.S.A. All rights reserved.

15MSHV 1997 / BOTTOM COWLING



63VUS-5081


## Part List

15MSHV 1997 / BOTTOM COWLING

| REF - NO | PART NUMBER     | PART NAME       | QUANTITY | REMARKS                      |
|----------|-----------------|-----------------|----------|------------------------------|
| 1        | 63V-42711-02-4D | COWLING, BOTTOM | 1        |                              |
| 2        | 682-42724-40-00 | GROMMET 1       | 1        | UR W/O 2P CONCENT - ELECTRIC |
| 2        | 682-42724-00-00 | GROMMET         | 1        | UR W/O 2P CONCENT - MANUAL   |
| 3        | 682-42725-02-00 | GROMMET         | 1        | EXCEPT 9.9EH/15EH            |
| 4        | 63V-42726-10-00 | GROMMET         | 1        | UR 9.9ER                     |
| 4        | 63V-42726-00-00 | GROMMET         | 1        | UR                           |
| 5        | 682-42727-00-00 | GROMMET         | 1        |                              |
| 6        | 6G1-42748-00-00 | GROMMET         | 2        | EXCEPT 9.9ER                 |
| 7        | 90480-06M19-00  | GROMMET         | 2        | EXCEPT 9.9ER                 |
| 8        | 63V-42815-00-4D | LEVER, CLAMP    | 1        |                              |
| 9        | 6E7-42816-00-00 | LEVER, CLAMP    | 1        |                              |
| 10       | 90386-12M45-00  | BUSH            | 2        |                              |
| 11       | 90206-12052-00  | WASHER, WAVE    | 1        |                              |
| 12       | 90201-06M02-00  | WASHER, PLATE   | 1        |                              |
| 13       | 97095-06025-00  | BOLT            | 1        |                              |
| 14       | 95380-06700-00  | NUT             | 1        |                              |
| 15       | 97095-06025-00  | BOLT            | 4        |                              |
| 16       | 92990-06600-00  | WASHER, PLATE   | 4        |                              |
| 17       | 90387-06M52-00  | COLLAR          | 4        |                              |
| 18       | 90480-15M31-00  | GROMMET         | 4        |                              |
| 19       | 63V-42716-01-00 | RUBBER, SEAL 1  | 1        |                              |
| 20       | 6H3-44391-01-00 | NIPPLE, HOSE    | 1        |                              |
| 21       | 90465-25M57-00  | CLAMP           | 1        |                              |
| 22       | 6A1-42792-01-00 | MARK (100:1)    | 1        |                              |

## Part Notes

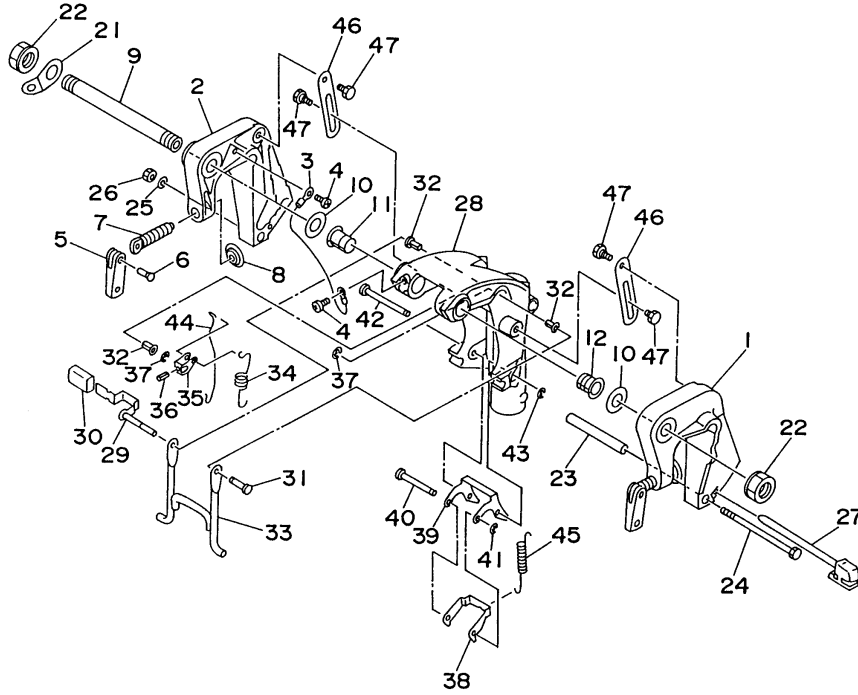
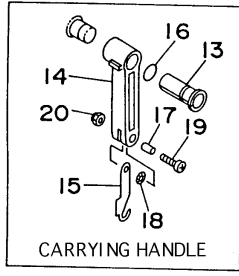
15MSHV 1997 / BOTTOM COWLING

| PART NUMBER  | NOTE TEXT  |
|--|--|
| 92990-06600-00  | OEM: This part number is among the Top 100 Most Popular Marine Maintenance Parts as of March 2014. |

©2014 Yamaha Motor Corporation, U.S.A. All rights reserved.



15MSHV 1997 / BRACKET 1



63VUS-5090

©2014 Yamaha Motor Corporation, U.S.A. All rights reserved.


## Part List

15MSHV 1997 / BRACKET 1

| REF - NO | PART NUMBER     | PART NAME             | QUANTITY | REMARKS              |
|----------|-----------------|-----------------------|----------|----------------------|
| 1        | 63V-43111-01-4D | BRACKET, CLAMP        | 1        |                      |
| 2        | 63V-43112-02-4D | BRACKET, CLAMP        | 1        |                      |
| 3        | 6E5-82148-00-00 | WIRE, LEAD 4          | 1        |                      |
| 4        | 97885-06008-00  | SCREW, PAN HEAD       | 2        |                      |
| 5        | 6E0-43118-01-00 | HANDLE, TRANSOM CLAMP | 2        |                      |
| 6        | 90243-04M01-00  | PIN                   | 2        |                      |
| 7        | 6E7-43116-00-00 | SCREW, TRANSOM CLAMP  | 2        |                      |
| 8        | 648-43114-01-00 | PAD, TRANSOM CLAMP    | 2        |                      |
| 9        | 63V-43131-00-00 | BOLT, CLAMP BRACKET   | 1        | UR                   |
| 9        | 63V-43131-10-00 | BOLT, CLAMP BRACKET   | 1        | UR 9.9EH/ 9.9EH/15EH |
| 10       | 90202-22M54-00  | WASHER, PLATE         | 2        |                      |
| 11       | 90386-22M94-00  | BUSH                  | 1        |                      |
| 12       | 90386-22M94-00  | BUSH                  | 1        |                      |
| 13       | 90386-22M69-00  | BUSH                  | 1        | CARRYING HANDLE      |
| 14       | 63V-42731-00-4D | CARRYING HANDLE       | 1        | CARRYING HANDLE      |
| 15       | 63V-43676-00-00 | HOOK                  | 1        | CARRYING HANDLE      |
| 16       | 93210-20M65-00  | .O-RING               | 1        | CARRYING HANDLE      |
| 17       | 90387-06M75-00  | COLLAR                | 1        | CARRYING HANDLE      |
| 18       | 90206-08010-00  | WASHER, WAVE          | 1        | CARRYING HANDLE      |
| 19       | 97885-06025-00  | SCREW, PAN HEAD       | 1        | CARRYING HANDLE      |
| 20       | 95780-06300-00  | NUT, FLANGE           | 1        | CARRYING HANDLE      |
| 21       | 6J8-43113-01-00 | PLATE, CLAMP BRACKET  | 1        |                      |
| 22       | 63V-43145-00-00 | CAP, CLAMP BRACKET    | 2        |                      |
| 23       | 90387-06M13-00  | COLLAR                | 1        |                      |
| 24       | 90101-06M29-00  | BOLT                  | 1        |                      |
| 25       | 92990-06600-00  | WASHER, PLATE         | 1        |                      |
| 26       | 95380-06700-00  | NUT                   | 1        |                      |
| 27       | 6L2-43160-00-00 | TILT ROD ASSY         | 1        |                      |
| 28       | 63V-43311-00-4D | BRACKET, SWIVEL       | 1        |                      |
| 29       | 63V-43630-00-00 | TILT LEVER ASSY       | 1        |                      |
| 30       | 682-43318-01-00 | COVER                 | 1        |                      |
| 31       | 63V-43191-00-00 | SHAFT, STOPPER        | 1        |                      |
| 32       | 90386-07M95-00  | BUSH                  | 3        |                      |
| 33       | 63V-43350-00-00 | RECEIVER ASSEMBLY     | 1        |                      |
| 34       | 90507-20M00-00  | SPRING, TENSION       | 1        |                      |
| 35       | 63V-43641-00-00 | LEVER, TILT           | 1        |                      |
| 36       | 91690-30012-00  | .PIN, SPRING          | 1        |                      |
| 37       | 99080-05600-00  | CIRCLIP               | 2        |                      |
| 38       | 63V-43614-00-00 | PLATE, TILT LOCK      | 1        |                      |
| 39       | 63V-43615-00-00 | PLATE, TILT LOCK      | 1        |                      |
| 40       | 63V-43611-00-00 | SHAFT, TILT LOCK      | 1        |                      |
| 41       | 99080-05600-00  | CIRCLIP               | 1        |                      |
| 42       | 63V-43659-00-00 | SHAFT, REVERSE LOCK   | 1        |                      |
| 43       | 99080-05600-00  | CIRCLIP               | 1        |                      |
| 44       | 63V-43617-00-00 | ROD, TILT LOCK        | 1        |                      |
| 45       | 90507-26M00-00  | SPRING, TENSION       | 1        |                      |
| 46       | 63V-43181-00-00 | LEVER, TILT STOP      | 2        |                      |
| 47       | 90109-06M69-00  | BOLT                  | 4        |                      |

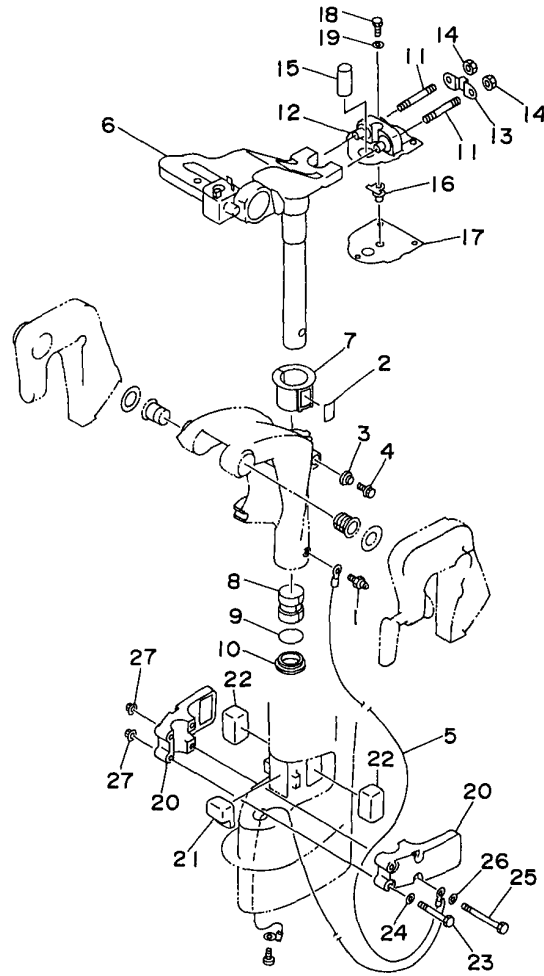
## Part Notes

15MSHV 1997 / BRACKET 1

| PART NUMBER    | NOTE TEXT  |
|----------------|--|
| 92990-06600-00 |  OEM: This part number is among the Top 100 Most Popular Marine Maintenance Parts as of March 2014. |

©2014 Yamaha Motor Corporation, U.S.A. All rights reserved.

15MSHV 1997 / BRACKET 2



63VJA-5101

©2014 Yamaha Motor Corporation, U.S.A. All rights reserved.




## Part List

15MSHV 1997 / BRACKET 2

| REF - NO | PART NUMBER     | PART NAME                   | QUANTITY | REMARKS |
|----------|-----------------|-----------------------------|----------|---------|
| 1        | 93700-06M03-00  | NIPPLE, GREASE              | 1        |         |
| 2        | 63V-42528-00-00 | PLATE, FRICTION             | 1        |         |
| 3        | 689-43373-01-00 | SEAL, DAMPER                | 1        |         |
| 4        | 90105-06M07-00  | .BOLT, FLANGE               | 1        |         |
| 5        | 63V-82127-00-00 | WIRE, LEAD 2                | 1        |         |
| 6        | 63V-42511-02-4D | BRACKET, STEERING           | 1        |         |
| 7        | 63V-42537-00-00 | BUSHING, PIVOT SHAFT        | 1        |         |
| 8        | 90386-30048-00  | BUSH                        | 1        |         |
| 9        | 93210-29M94-00  | O-RING                      | 1        |         |
| 10       | 90386-30M60-00  | BUSH                        | 1        |         |
| 11       | 90116-08M54-00  | BOLT, STUD                  | 2        |         |
| 12       | 63V-44514-00-5B | MOUNT DAMPER, UPPER SIDE    | 1        |         |
| 13       | 63V-44526-00-00 | PLATE                       | 1        |         |
| 14       | 95380-08600-00  | NUT                         | 2        |         |
| 15       | 90387-16M01-00  | COLLAR                      | 1        |         |
| 16       | 63V-44366-00-00 | DAMPER, WATER SEAL          | 1        |         |
| 17       | 63V-45114-A0-00 | GASKET, UPPER CASING        | 1        |         |
| 18       | 97095-06018-00  | .BOLT                       | 3        |         |
| 19       | 92990-06600-00  | WASHER, PLATE               | 3        |         |
| 20       | 63V-44551-00-4D | HOUSING, LOWER MOUNT RUBBER | 2        |         |
| 21       | 63V-44557-00-00 | MOUNT DAMPER, LOWER FRONT   | 1        |         |
| 22       | 682-44555-00-00 | MOUNT DAMPER, LOWER SIDE    | 2        |         |
| 23       | 97075-06055-00  | BOLT                        | 2        |         |
| 24       | 92990-06600-00  | WASHER, PLATE               | 2        |         |
| 25       | 97075-06075-00  | BOLT                        | 2        |         |
| 26       | 92990-06600-00  | WASHER, PLATE               | 2        |         |
| 27       | 90179-06M28-00  | NUT                         | 4        |         |

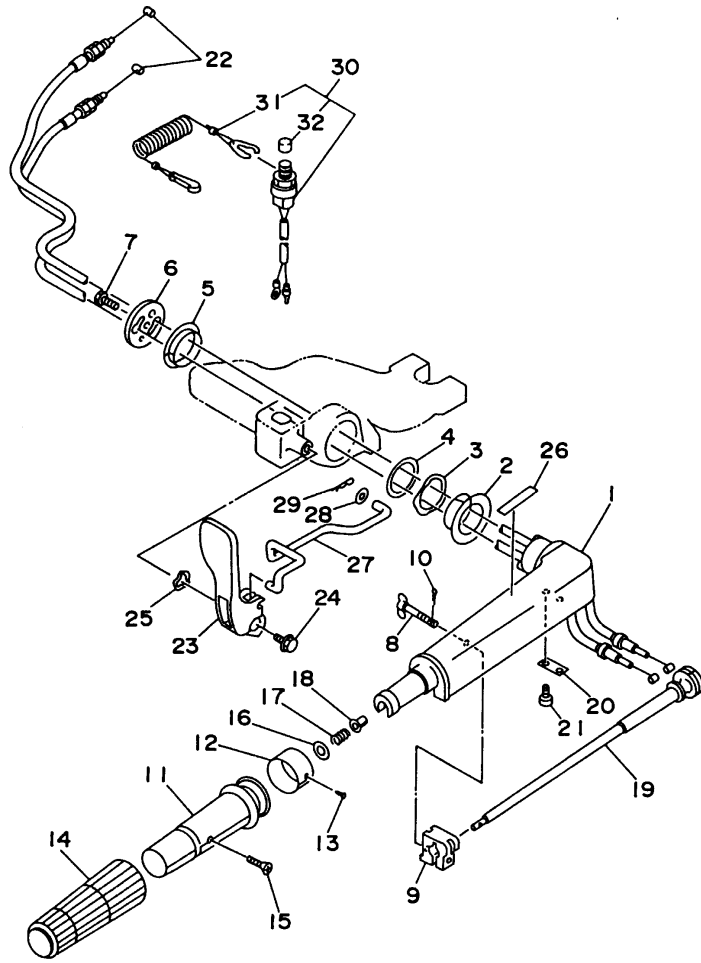
## Part Notes

15MSHV 1997 / BRACKET 2

| PART NUMBER    |   | NOTE TEXT  |
|----------------|---|--|
| 92990-06600-00 |  | OEM: This part number is among the Top 100 Most Popular Marine Maintenance Parts as of March 2014. |
| 92990-06600-00 |  | OEM: This part number is among the Top 100 Most Popular Marine Maintenance Parts as of March 2014. |
| 92990-06600-00 |  | OEM: This part number is among the Top 100 Most Popular Marine Maintenance Parts as of March 2014. |

©2014 Yamaha Motor Corporation, U.S.A. All rights reserved.

15MSHV 1997 / STEERING



63VJA-5113

©2014 Yamaha Motor Corporation, U.S.A. All rights reserved.




## Part List

15MSHV 1997 / STEERING

| REF - NO | PART NUMBER     | PART NAME                         | QUANTITY | REMARKS |
|----------|-----------------|-----------------------------------|----------|---------|
| 1        | 6G1-42111-11-4D | HANDLE, STEERING                  | 1        |         |
| 2        | 90386-34M97-00  | BUSH                              | 1        |         |
| 3        | 90206-36M21-00  | WASHER, WAVE                      | 1        |         |
| 4        | 90202-36M55-00  | WASHER, PLATE                     | 1        |         |
| 5        | 90386-33M96-00  | BUSH                              | 1        |         |
| 6        | 6G1-42131-01-00 | COVER, HANDLE STEERING            | 1        |         |
| 7        | 97095-06020-00  | BOLT                              | 1        |         |
| 8        | 6G1-42125-01-00 | BOLT, FRICTION ADJUSTING          | 1        |         |
| 9        | 6G1-42126-00-00 | FRICTION, STEERING<br>HANDLE GRIP | 1        |         |
| 10       | 91490-16010-00  | PIN. COTTER                       | 1        |         |
| 11       | 664-42119-00-00 | GRIP, STEERING HANDLE             | 1        |         |
| 12       | 6H2-42137-00-00 | INDICATOR, THROTTLE               | 1        |         |
| 13       | 90269-02M09-00  | RIVET                             | 1        |         |
| 14       | 6G1-42177-00-00 | RUBBER, HANDLE                    | 1        |         |
| 15       | 90149-05M13-00  | SCREW                             | 1        |         |
| 16       | 92990-10600-00  | WASHER, PLATE                     | 1        |         |
| 17       | 90501-23215-00  | SPRING, COMPRESSION               | 1        |         |
| 18       | 90386-08032-00  | BUSH                              | 1        |         |
| 19       | 6G1-42138-01-00 | LEVER, THROTTLE                   | 1        |         |
| 20       | 6E0-42159-02-00 | STAY                              | 1        |         |
| 21       | 97885-05012-00  | SCREW, PAN HEAD                   | 2        |         |
| 22       | 6L2-26301-00-00 | THROTTLE CABLE ASSY               | 2        |         |
| 23       | 63V-44111-01-00 | HANDLE, GEAR SHIFT                | 1        |         |
| 24       | 90119-06M09-00  | BOLT, WITH WASHER                 | 1        |         |
| 25       | 90206-13M10-00  | WASHER, WAVE                      | 1        |         |
| 26       | 6E0-44191-11-00 | INDICATOR, SHIFT                  | 1        |         |
| 27       | 63V-44124-01-00 | LINK, SHIFT ROD                   | 1        |         |
| 28       | 90202-06009-00  | WASHER, PLATE                     | 1        |         |
| 29       | 90468-18008-00  | CLIP                              | 1        |         |
| 30       | 6H4-82575-02-00 | ENGINE STOP SWITCH<br>ASSEMBLY    | 1        |         |
| 31       | 682-82556-00-00 | .LANYARD, STOP SWITCH             | 1        |         |
| 32       | 689-8257Y-00-00 | .CAP                              | 1        |         |

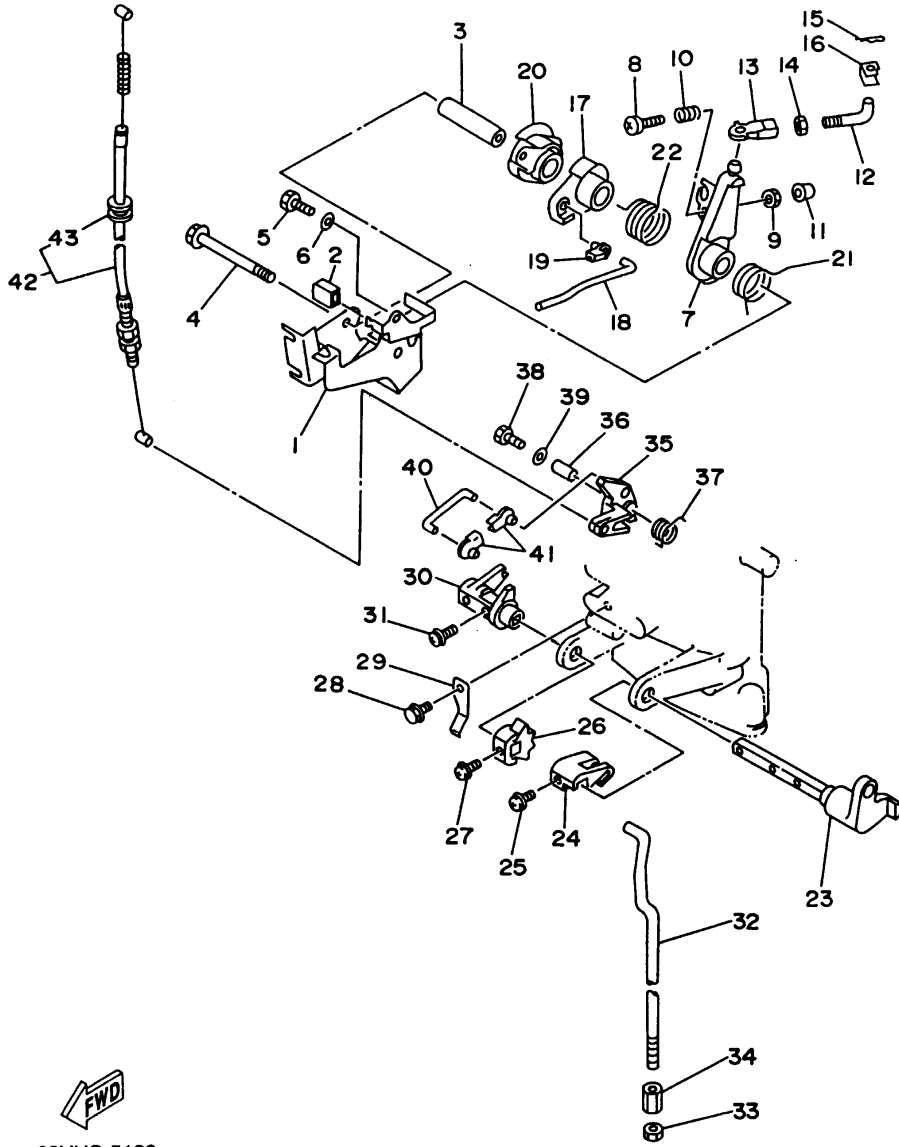
## Part Notes

15MSHV 1997 / STEERING

| PART NUMBER     |   | NOTE TEXT  |
|-----------------|---|--|
| 92990-10600-00  |  | OEM: This part number is among the Top 100 Most Popular Marine Maintenance Parts as of March 2014. |
| 90468-18008-00  |  | OEM: This part number is among the Top 100 Most Popular Marine Maintenance Parts as of March 2014. |
| 682-82556-00-00 |  | OEM: This part number is among the Top 100 Most Popular Marine Maintenance Parts as of March 2014. |

©2014 Yamaha Motor Corporation, U.S.A. All rights reserved.

15MSHV 1997 / CONTROL 1



  
63VUS-5122

©2014 Yamaha Motor Corporation, U.S.A. All rights reserved.



## Part List

15MSHV 1997 / CONTROL 1

| REF - NO | PART NUMBER     | PART NAME                 | QUANTITY | REMARKS |
|----------|-----------------|---------------------------|----------|---------|
| 1        | 63V-14497-00-00 | STAY, THROTTLE WIRE       | 1        |         |
| 2        | 689-44194-00-00 | CAP                       | 1        |         |
| 3        | 90387-06M50-00  | COLLAR                    | 1        |         |
| 4        | 95895-06065-00  | BOLT, FLANGE              | 1        |         |
| 5        | 97095-06012-00  | BOLT                      | 1        |         |
| 6        | 92990-06600-00  | WASHER, PLATE             | 1        |         |
| 7        | 63V-41631-00-00 | LEVER, MAGNETO CONTROL    | 1        |         |
| 8        | 97885-06030-00  | SCREW, PAN HEAD           | 1        |         |
| 9        | 95380-06600-00  | NUT, HEXAGON              | 1        |         |
| 10       | 90501-12M16-00  | SPRING, COMPRESSION       | 1        |         |
| 11       | 688-44194-00-00 | CAP                       | 1        |         |
| 12       | 63V-41238-00-00 | JOINT, LINK               | 1        |         |
| 13       | 6H4-41237-00-00 | JOINT, LINK               | 1        |         |
| 14       | 95380-05700-00  | NUT                       | 1        |         |
| 15       | 90468-10005-00  | CLIP                      | 1        |         |
| 16       | 63V-41223-00-00 | WASHER, LOCK 1            | 1        |         |
| 17       | 63V-41283-00-00 | LEVER, FREE ACCEL.        | 1        |         |
| 18       | 63V-41211-00-00 | LINK, ACCEL.              | 1        |         |
| 19       | 661-41262-02-00 | JOINT, CHOKE LEVER        | 1        |         |
| 20       | 63V-41638-00-00 | PULLEY                    | 1        |         |
| 21       | 90508-16M37-00  | SPRING, TORSION           | 1        |         |
| 22       | 90508-20M38-00  | SPRING, TORSION           | 1        |         |
| 23       | 63V-44123-01-00 | ARM, SHIFT ROD            | 1        |         |
| 24       | 63V-44121-01-00 | LEVER, SHIFT ROD          | 1        |         |
| 25       | 90195-05M25-00  | SCREW, WITH WASHER        | 1        |         |
| 26       | 63V-44125-00-00 | LEVER, SHIFT ROD          | 1        |         |
| 27       | 90159-05M25-00  | .SCREW, WITH WASHER       | 1        |         |
| 28       | 97595-06512-00  | BOLT, WITH WASHER         | 1        |         |
| 29       | 63V-44116-00-00 | SPRING                    | 2        |         |
| 30       | 63V-44122-00-00 | BUSHING, SHIFT ROD LEVER  | 1        |         |
| 31       | 90159-05M25-00  | .SCREW, WITH WASHER       | 1        |         |
| 32       | 63V-44143-01-00 | ROD, SHIFT                | 1        |         |
| 33       | 95380-06700-00  | NUT                       | 1        |         |
| 34       | 90170-06015-00  | NUT                       | 1        |         |
| 35       | 63V-15746-00-00 | ARM                       | 1        |         |
| 36       | 90387-06M06-00  | COLLAR                    | 1        |         |
| 37       | 90508-08M39-00  | SPRING, TORSION           | 1        |         |
| 38       | 97095-06020-00  | BOLT                      | 1        |         |
| 39       | 92990-06600-00  | WASHER, PLATE             | 1        |         |
| 40       | 6L2-15747-00-00 | LINK                      | 1        |         |
| 41       | 661-41262-02-00 | JOINT, CHOKE LEVER        | 2        |         |
| 42       | 63V-15770-00-00 | CABLE COMP., STARTER STOP | 1        |         |
| 43       | 90480-10M16-00  | .GROMMET                  | 1        |         |

## Part Notes

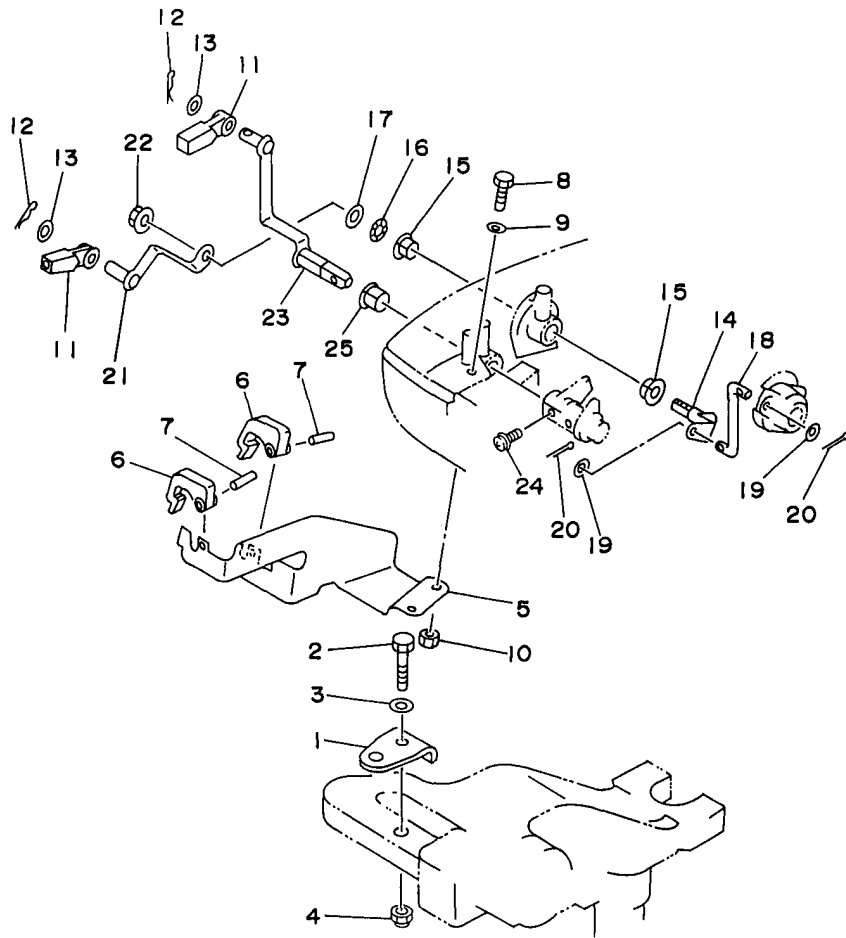
15MSHV 1997 / CONTROL 1

| PART NUMBER    |   | NOTE TEXT  |
|----------------|---|--|
| 92990-06600-00 |  | OEM: This part number is among the Top 100 Most Popular Marine Maintenance Parts as of March 2014. |
| 92990-06600-00 |  | OEM: This part number is among the Top 100 Most Popular Marine Maintenance Parts as of March 2014. |

©2014 Yamaha Motor Corporation, U.S.A. All rights reserved.



15MSHV 1997 / CONTROL 2 9.9ER



63VNV-5131

©2014 Yamaha Motor Corporation, U.S.A. All rights reserved.



## Part List

15MSHV 1997 / CONTROL 2 9.9ER

| REF - NO | PART NUMBER     | PART NAME                  | QUANTITY | REMARKS |
|----------|-----------------|----------------------------|----------|---------|
| 1        | 63V-48511-01-00 | HOOK, STEERING             | 1        |         |
| 2        | 97075-08035-00  | BOLT                       | 1        |         |
| 3        | 92990-08600-00  | ..WASHER, PLATE            | 1        |         |
| 4        | 95780-08300-00  | ..NUT, FLANGE              | 1        |         |
| 5        | 63V-48531-00-00 | .BRACKET, REMOTE CONTROL 1 | 1        |         |
| 6        | 682-48538-50-00 | .CLAMP, CABLE 1            | 2        |         |
| 7        | 91690-30012-00  | .PIN, SPRING               | 2        |         |
| 8        | 97095-06016-00  | BOLT                       | 2        |         |
| 9        | 92990-06600-00  | WASHER, PLATE              | 2        |         |
| 10       | 95380-06600-00  | NUT, HEXAGON               | 2        |         |
| 11       | 663-48344-00-00 | .CABLE END, REMOTE CONTROL | 2        |         |
| 12       | 90468-18008-00  | CLIP                       | 2        |         |
| 13       | 90201-08M12-00  | .WASHER, PLATE             | 2        |         |
| 14       | 63V-42154-00-00 | .LEVER, THROTTLE CONTROL   | 1        |         |
| 15       | 90386-10025-00  | .BUSH                      | 2        |         |
| 16       | 90206-10M04-00  | WASHER, WAVE               | 1        |         |
| 17       | 90201-10M02-00  | WASHER, PLATE              | 1        |         |
| 18       | 63V-42192-00-00 | .ROD 2                     | 1        |         |
| 19       | 90201-044H9-00  | WASHER, PLATE              | 2        |         |
| 20       | 91490-20015-00  | PIN. COTTER                | 2        |         |
| 21       | 63V-48534-00-00 | .THROTTLE LEVER, CONTROL   | 1        |         |
| 22       | 95780-08300-00  | ..NUT, FLANGE              | 1        |         |
| 23       | 63V-48544-00-00 | .LEVER, SHIFTCONTROL       | 1        |         |
| 24       | 90159-05M25-00  | .SCREW, WITH WASHER        | 1        |         |
| 25       | 90386-10009-00  | .BUSH                      | 1        |         |

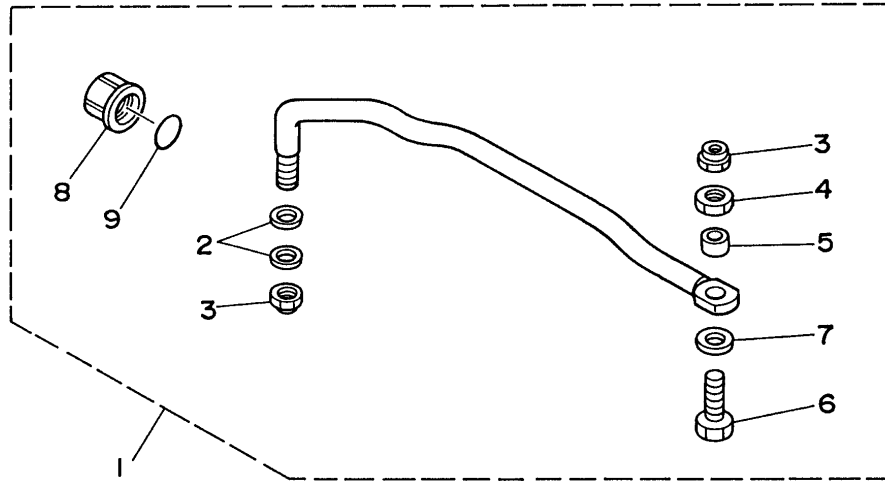
## Part Notes

15MSHV 1997 / CONTROL 2 9.9ER

| PART NUMBER  | NOTE TEXT  |
|--|--|
| 92990-06600-00  | OEM: This part number is among the Top 100 Most Popular Marine Maintenance Parts as of March 2014. |
| 90468-18008-00  | OEM: This part number is among the Top 100 Most Popular Marine Maintenance Parts as of March 2014. |

©2014 Yamaha Motor Corporation, U.S.A. All rights reserved.

15MSHV 1997 / STEERING GUIDE



63VNV-5140

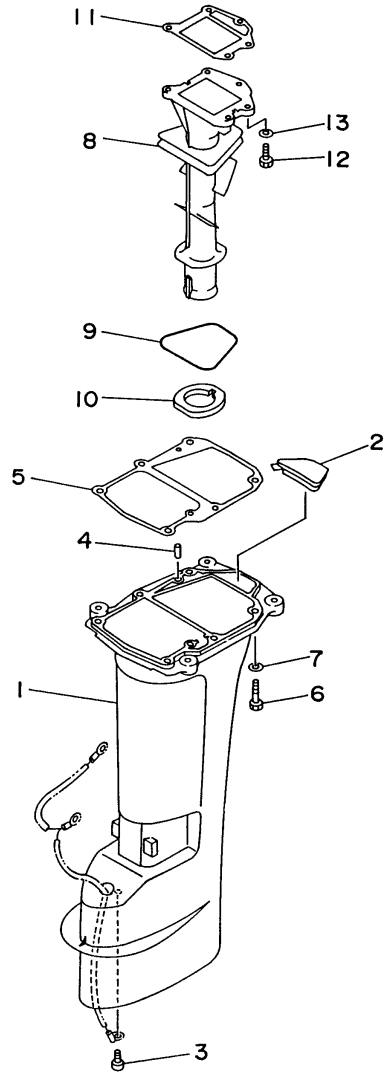
©2014 Yamaha Motor Corporation, U.S.A. All rights reserved.

## Part List

15MSHV 1997 / STEERING GUIDE

| REF<br>-<br>NO | PART<br>NUMBER  | PART NAME                        | QUANTITY | REMARKS |
|----------------|-----------------|----------------------------------|----------|---------|
| 1              | 63V-61350-00-00 | STEERING GUIDE<br>ATTACHMENT KIT | 1        |         |
| 2              | 90201-10M20-00  | .WASHER, PLATE                   | 2        |         |
| 3              | 90185-09M01-00  | .NUT, SELF-LOCKING               | 2        |         |
| 4              | 90170-09M03-00  | .NUT                             | 1        |         |
| 5              | 90387-10M42-00  | .COLLAR                          | 1        |         |
| 6              | 6E5-61355-00-00 | .BOLT                            | 1        |         |
| 7              | 90201-10M63-00  | .WASHER, PLATE                   | 1        |         |
| 8              | 6E5-43145-00-00 | .CAP, CLAMP BRACKET              | 1        |         |
| 9              | 93210-16275-00  | .O-RING                          | 1        |         |

15MSHV 1997 / UPPER CASING



63VUS-5130

©2014 Yamaha Motor Corporation, U.S.A. All rights reserved.


## Part List

15MSHV 1997 / UPPER CASING

| REF<br>-<br>NO | PART<br>NUMBER  | PART NAME                      | QUANTITY | REMARKS  |
|----------------|-----------------|--------------------------------|----------|----------|
| 1              | 63V-45111-03-4D | CASING, UPPER                  | 1        | UR SHORT |
| 1              | 63V-45111-13-4D | CASING, UPPER                  | 1        | UR LONG  |
| 2              | 63V-45126-00-00 | PLATE, SEAL DAMPER             | 1        |          |
| 3              | 90157-06M06-00  | SCREW, PAN HEAD                | 1        |          |
| 4              | 93606-12019-00  | .PIN, DOWEL                    | 2        |          |
| 5              | 63V-45113-A1-00 | .GASKET, UPPER CASING          | 1        |          |
| 6              | 97095-08030-00  | BOLT                           | 6        |          |
| 7              | 92990-08600-00  | ..WASHER, PLATE                | 6        |          |
| 8              | 63V-41131-02-5B | MANIFOLD, EXT. 1               | 1        |          |
| 9              | 93210-71MH6-00  | O-RING                         | 1        |          |
| 10             | 63V-41135-00-00 | .GASKET, EXHAUST<br>MANIFOLD   | 1        |          |
| 11             | 63V-41133-A1-00 | .GASKET, EXHAUST<br>MANIFOLD 1 | 1        |          |
| 12             | 97095-06020-00  | BOLT                           | 5        |          |
| 13             | 92990-06600-00  | WASHER, PLATE                  | 5        |          |

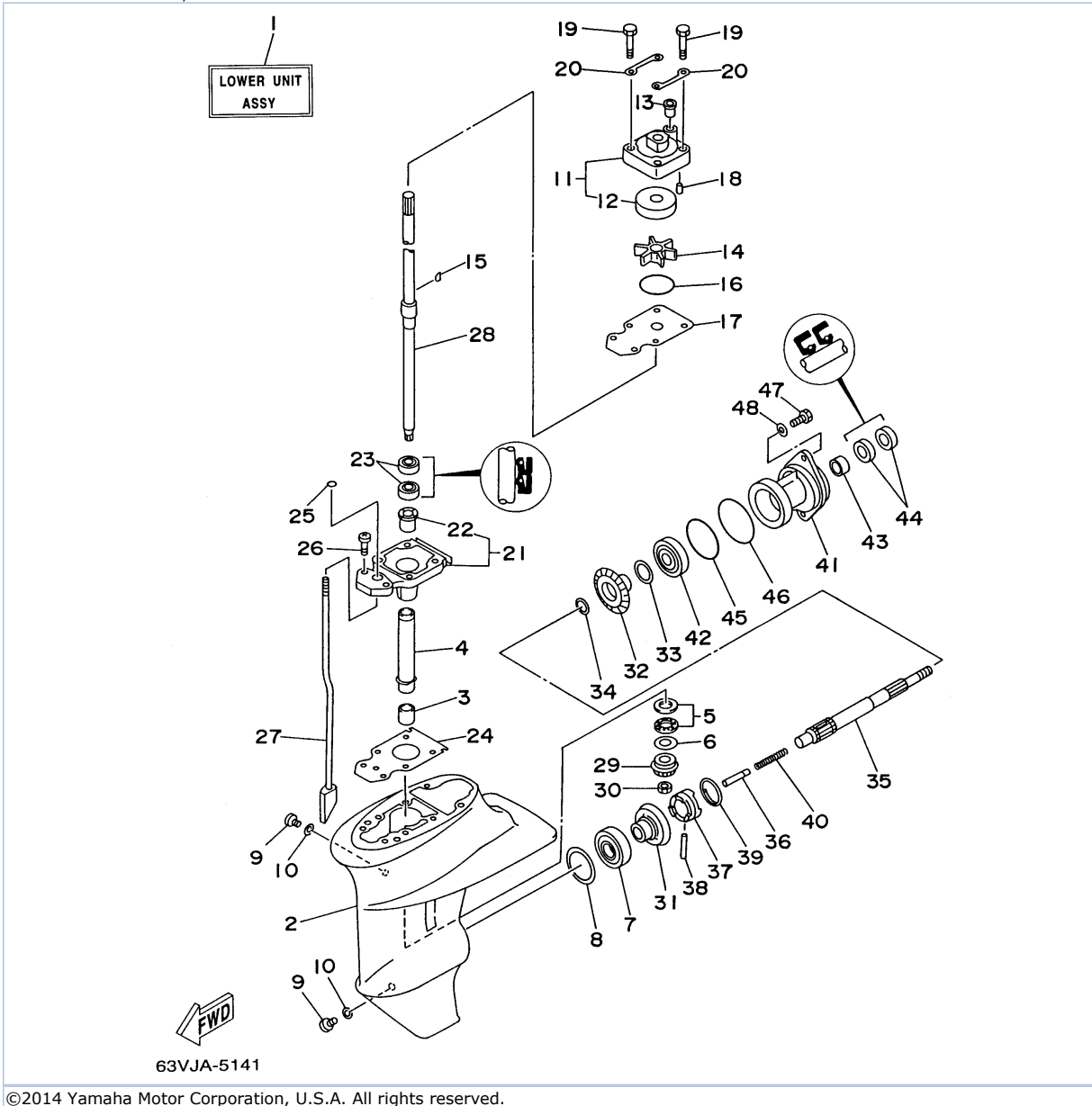
## Part Notes

15MSHV 1997 / UPPER CASING

| PART NUMBER  | NOTE TEXT  |
|--|--|
| 92990-06600-00  | OEM: This part number is among the Top 100 Most Popular Marine Maintenance Parts as of March 2014. |

©2014 Yamaha Motor Corporation, U.S.A. All rights reserved.

15MSHV 1997 / LOWER CASING DRIVE 1



## Part List

15MSHV 1997 / LOWER CASING DRIVE 1



| REF<br>-<br>NO | PART<br>NUMBER  | PART NAME                           | QUANTITY | REMARKS  |
|----------------|-----------------|-------------------------------------|----------|----------|
| 1              | 63V-45300-11-4D | LOWER UNIT ASSEMBLY<br>(REF. #2~48) | 1        | UR LONG  |
| 1              | 63V-45300-01-4D | LOWER UNIT ASSEMBLY<br>(REF. #2~48) | 1        | UR SHORT |
| 2              | 63V-45311-00-4D | CASING, LOWER                       | 1        |          |
| 3              | 93315-314V8-00  | BEARING                             | 1        |          |
| 4              | 63V-45536-00-00 | SLEEVE, DRIVE SHAFT                 | 1        |          |
| 5              | 93341-414V1-00  | BEARING                             | 1        |          |
| 6              | 6E8-45587-00-20 | SHIM (T:1.20MM)                     | 1        | UR       |
| 6              | 6E8-45587-00-13 | SHIM (T:1.13MM)                     | 1        | UR       |
| 7              | 93332-00005-00  | BEARING                             | 1        |          |
| 8              | 664-45567-01-40 | SHIM (T:0.40MM)                     | 1        | UR       |
| 8              | 664-45567-01-18 | SHIM (T:0.18MM)                     | 1        | UR       |
| 8              | 664-45567-01-15 | SHIM (T:0.15MM)                     | 1        | UR       |
| 8              | 664-45567-01-10 | SHIM (T:0.10MM)                     | 1        | UR       |
| 8              | 664-45567-01-50 | SHIM (T:0.50MM)                     | 1        | UR       |
| 8              | 664-45567-01-30 | SHIM (T:0.30MM)                     | 1        | UR       |
| 8              | 664-45567-01-12 | SHIM (T:0.12MM)                     | 1        | UR       |
| 9              | 90340-08M04-00  | PLUG, STRAIGHT SCREW                | 2        |          |
| 10             | 90430-08020-00  | .GASKET                             | 2        |          |
| 11             | 63V-44301-00-00 | WATER PUMP HOUSING<br>COMP.         | 1        |          |
| 12             | 63V-44322-00-00 | .INSERT, CARTRIDGE                  | 1        |          |
| 13             | 647-44366-00-00 | .DAMPER, WATER SEAL                 | 1        |          |
| 14             | 63V-44352-00-00 | IMPELLER                            | 1        |          |
| 15             | 664-44338-00-00 | .KEY, WOODRUFF                      | 1        |          |
| 16             | 93210-44704-00  | O-RING                              | 1        |          |
| 17             | 63V-44323-00-00 | .OUTER PLATE, CARTRIDGE             | 1        |          |
| 18             | 93604-10M03-00  | PIN, DOWEL                          | 2        |          |
| 19             | 97080-08045-00  | BOLT                                | 4        |          |
| 20             | 63V-44328-00-00 | PLATE                               | 2        |          |
| 21             | 63V-45331-00-5B | HOUSING, BEARING                    | 1        |          |
| 22             | 626-45316-09-00 | .BUSHING, DRIVE SHAFT               | 1        |          |
| 23             | 93101-20048-00  | .OIL SEAL                           | 2        |          |
| 24             | 63V-45315-A0-00 | .PACKING, LOWER CASING              | 1        |          |
| 25             | 93210-06ME6-00  | .O-RING                             | 1        |          |
| 26             | 98980-08025-00  | SCREW, BIND (98902-<br>08025-00)    | 2        |          |
| 27             | 63V-44150-00-00 | SHIFT CAM ASSY                      | 1        | UR SHORT |
| 27             | 63V-44150-10-00 | SHIFT CAM ASSEMBLY                  | 1        | UR LONG  |
| 28             | 63V-45510-10-00 | DRIVE SHAFT ASSEMBLY                | 1        | UR LONG  |
| 28             | 63V-45510-00-00 | DRIVE SHAFT ASSEMBLY                | 1        | UR SHORT |
| 29             | 6E7-45551-00-00 | PINION (13T)                        | 1        |          |
| 30             | 90179-08M06-00  | NUT                                 | 1        |          |
| 31             | 6E7-45560-00-00 | GEAR                                | 1        |          |
| 32             | 6E7-45571-00-00 | GEAR 2 (27T)                        | 1        |          |
| 33             | 626-45577-00-01 | SHIM (T:0.10MM)                     | 1        | UR       |
| 33             | 626-45577-00-05 | SHIM (T:0.50MM)                     | 1        | UR       |
| 33             | 626-45577-00-03 | SHIM (T:0.30MM)                     | 1        | UR       |
| 34             | 90201-17682-00  | WASHER, PLATE                       | 1        |          |
| 35             | 683-45611-00-00 | SHAFT, PROPELLER                    | 1        |          |
| 36             | 650-45635-00-00 | PLUNGER, SHIFT                      | 1        |          |
| 37             | 682-45631-00-00 | CLUTCH, DOG                         | 1        |          |
| 38             | 90250-05010-00  | PIN, STRAIGHT                       | 1        |          |
| 39             | 648-45633-00-00 | RING, CROSS PIN                     | 1        |          |
| 40             | 90501-14M06-00  | SPRING, COMPRESSION                 | 1        |          |
| 41             | 683-45361-01-4D | CAP, LOWER CASING                   | 1        |          |
| 42             | 93306-00519-00  | BEARING                             | 1        |          |
| 43             | 93315-317U2-00  | BEARING                             | 1        |          |
| 44             | 93101-17054-00  | .OIL SEAL                           | 2        |          |
| 45             | 93210-57M09-00  | .O-RING                             | 1        |          |



|    |                |               |   |  |
|----|----------------|---------------|---|--|
| 46 | 93210-56M80-00 | .O-RING       | 1 |  |
| 47 | 97095-06020-00 | BOLT          | 2 |  |
| 48 | 92990-06600-00 | WASHER, PLATE | 2 |  |

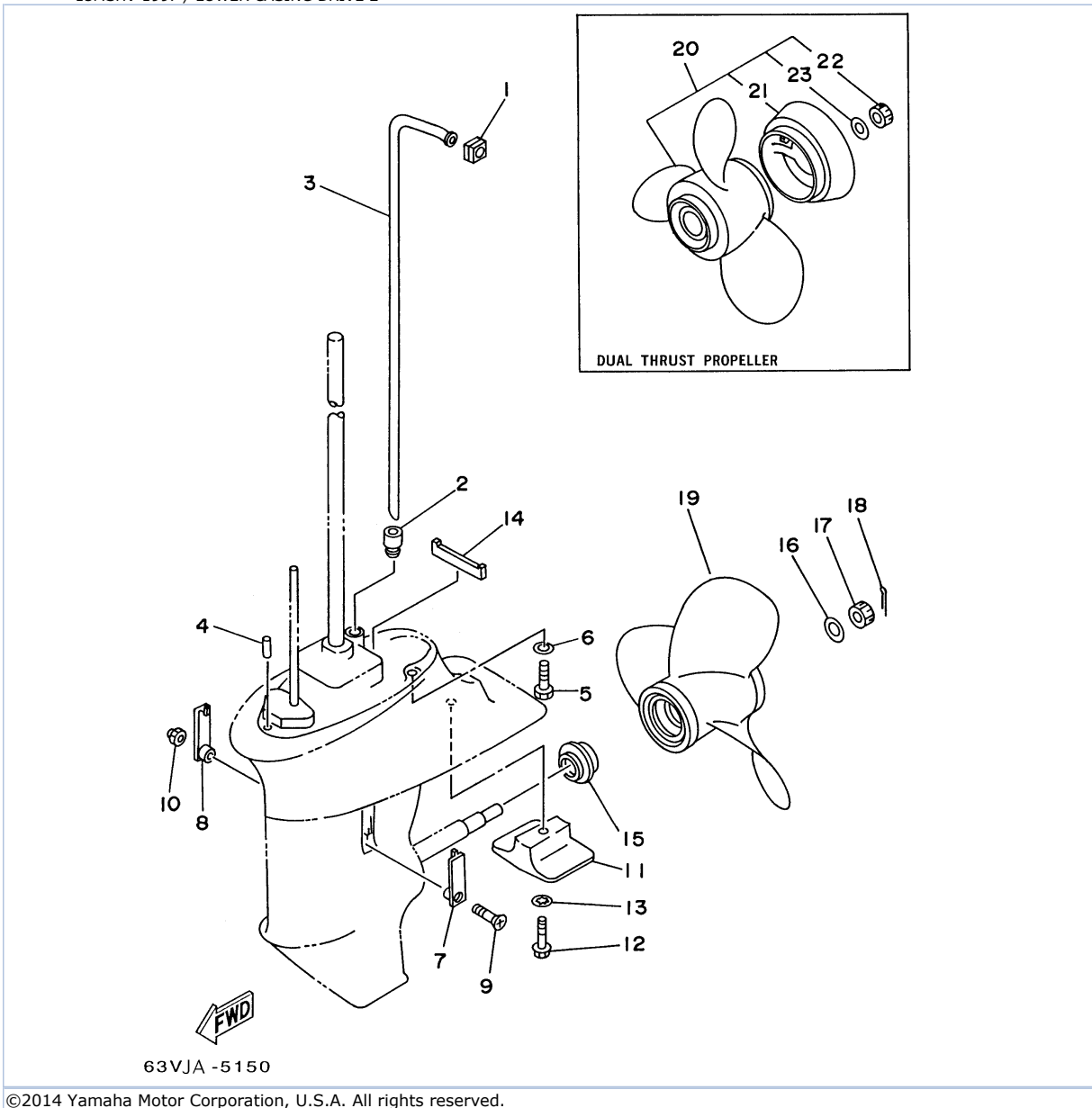
## Part Notes

15MSHV 1997 / LOWER CASING DRIVE 1

| PART NUMBER    |   | NOTE TEXT  |
|----------------|---|--|
| 90430-08020-00 |  | OEM: This part number is among the Top 100 Most Popular Marine Maintenance Parts as of March 2014. |
| 92990-06600-00 |  | OEM: This part number is among the Top 100 Most Popular Marine Maintenance Parts as of March 2014. |

©2014 Yamaha Motor Corporation, U.S.A. All rights reserved.

15MSHV 1997 / LOWER CASING DRIVE 2



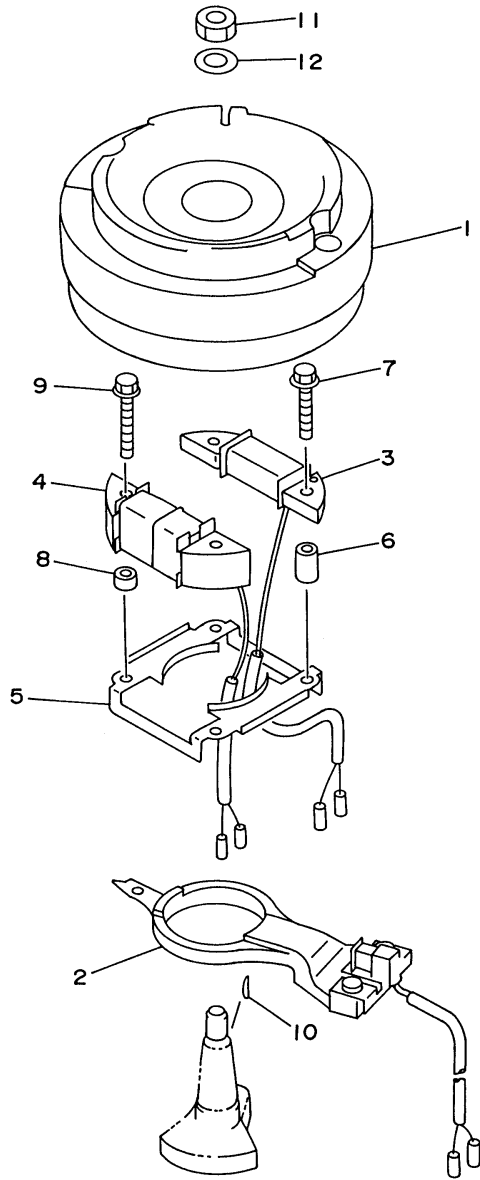
©2014 Yamaha Motor Corporation, U.S.A. All rights reserved.

## Part List

15MSHV 1997 / LOWER CASING DRIVE 2

| REF<br>-<br>NO | PART<br>NUMBER  | PART NAME                      | QUANTITY | REMARKS        |
|----------------|-----------------|--------------------------------|----------|----------------|
| 1              | 63V-44365-10-00 | DAMPER, WATER SEAL 1           | 1        |                |
| 2              | 63V-44368-00-00 | .RUBBER, WATER SEAL 4          | 1        |                |
| 3              | 63V-44361-00-00 | TUBE, WATER                    | 1        | UR SHORT       |
| 3              | 63V-44361-10-00 | TUBE, WATER                    | 1        | UR LONG        |
| 4              | 93604-10M03-00  | PIN, DOWEL                     | 2        |                |
| 5              | 97075-08030-00  | BOLT                           | 4        |                |
| 6              | 92990-08600-00  | ..WASHER, PLATE                | 4        |                |
| 7              | 6G1-45214-00-00 | COVER, WATER INLET 1           | 1        |                |
| 8              | 63V-45215-00-00 | COVER, WATER INLET 2           | 1        |                |
| 9              | 98780-05525-00  | SCREW, FLAT HEAD               | 1        |                |
| 10             | 90185-05904-00  | NUT, SELF-LOCKING              | 1        |                |
| 11             | 61N-45251-00-00 | ANODE                          | 1        |                |
| 12             | 95895-06030-00  | BOLT, FLANGE                   | 1        |                |
| 13             | 92990-06300-00  | WASHER, INTERNAL TOOTH         | 1        |                |
| 14             | 63V-45375-00-00 | DAMPER, SEAL                   | 1        |                |
| 15             | 6E7-45987-01-00 | SPACER 1                       | 1        |                |
| 16             | 90201-10M01-00  | WASHER, PLATE                  | 1        |                |
| 17             | 90171-10M01-00  | NUT, CASTLE                    | 1        |                |
| 18             | 91490-30020-00  | PIN. COTTER                    | 1        |                |
| 19             | 683-45949-00-EL | PROPELLER (3X9-1/2"X6-1/2"-J)  | 1        | UR             |
| 19             | 683-45941-00-EL | PROPELLER (3X9-1/4"X12"-J)     | 1        | UR             |
| 19             | 683-45952-00-EL | PROPELLER (3X9-1/4"X9-3/4"-J)  | 1        | UR             |
| 19             | 683-45943-00-EL | PROPELLER (3X9-1/4"X10-1/2"-J) | 1        | UR             |
| 19             | 683-45945-00-EL | PROPELLER (3X9-1/4"X9"-J)      | 1        | UR             |
| 19             | 683-45947-00-EL | PROPELLER (3X9-1/4"X8"-J)      | 1        | UR             |
| 20             | 683-W4592-02-EL | PROPELLER (3X9-3/4"X6-1/2"-J)  | 1        | UR DUAL THRUST |
| 20             | 683-W4591-02-EL | PROPELLER (3X9-3/4"X8"-J)      | 1        | UR DUAL THRUST |
| 21             | 6E7-45986-00-00 | .RING, DEFLECTOR               | 1        |                |
| 22             | 90171-10M07-00  | .NUT, CASTLE                   | 1        |                |
| 23             | 90201-10M02-00  | .WASHER, PLATE                 | 1        |                |

15MSHV 1997 / GENERATOR



63VJA-5160

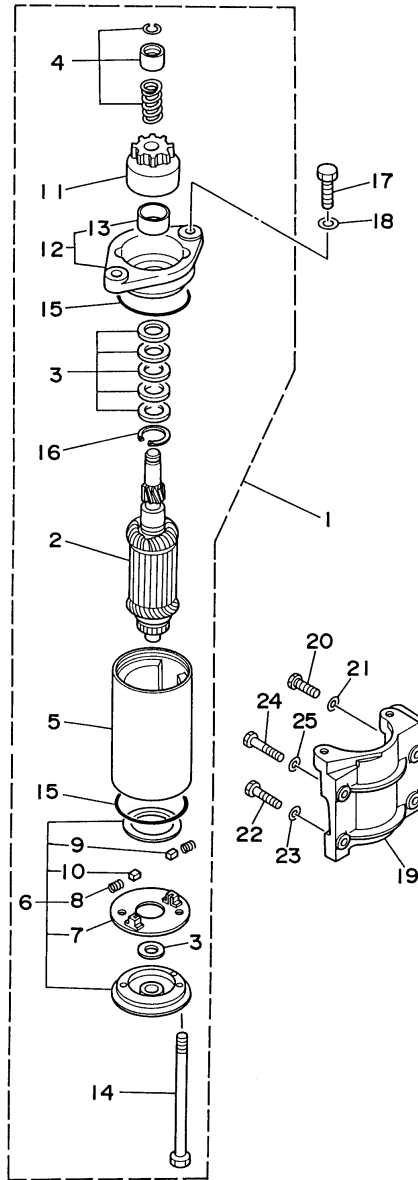
©2014 Yamaha Motor Corporation, U.S.A. All rights reserved.

## Part List

15MSHV 1997 / GENERATOR

| REF<br>-<br>NO | PART<br>NUMBER  | PART NAME                           | QUANTITY | REMARKS           |
|----------------|-----------------|-------------------------------------|----------|-------------------|
| 1              | 63V-85550-10-00 | ROTOR ASSY                          | 1        | UR W/O GEAR RING  |
| 1              | 63V-85550-00-00 | ROTOR ASSEMBLY ( WITH<br>RING GEAR) | 1        | UR WITH GEAR RING |
| 2              | 63V-85580-00-00 | COIL, PULSER                        | 1        |                   |
| 3              | 63V-85520-00-00 | COIL, CHARGE                        | 1        |                   |
| 4              | 63V-85533-00-00 | COIL, LIGHTING                      | 1        |                   |
| 5              | 63V-41611-00-00 | RETAINER, MAGNETO BASE              | 1        |                   |
| 6              | 90387-06M53-00  | COLLAR                              | 2        |                   |
| 7              | 90105-06M68-00  | BOLT, FLANGE                        | 2        |                   |
| 8              | 90387-06M24-00  | COLLAR                              | 2        |                   |
| 9              | 90105-06M69-00  | BOLT, FLANGE                        | 2        |                   |
| 10             | 90280-16053-00  | KEY, WOODRUFF                       | 1        |                   |
| 11             | 90170-12066-00  | NUT                                 | 1        |                   |
| 12             | 90201-12472-00  | WASHER, PLATE                       | 1        |                   |

15MSHV 1997 / STARTING MOTOR EH ER



63VJA-5170

©2014 Yamaha Motor Corporation, U.S.A. All rights reserved.




## Part List

15MSHV 1997 / STARTING MOTOR EH ER

| REF<br>-<br>NO | PART<br>NUMBER  | PART NAME                                    | QUANTITY | REMARKS |
|----------------|-----------------|--|----------|---------|
| 1              | 682-81800-12-00 | STARTING MOTOR<br>ASSEMBLY                   | 1        |         |
| 2              | 682-81850-11-00 | .ARMATURE ASSEMBLY                           | 1        |         |
| 3              | 682-81809-10-00 | .WASHER KIT                                  | 1        |         |
| 4              | 682-81833-10-00 | .PINION STOPPER SET                          | 1        |         |
| 5              | 682-81810-11-00 | .STATOR ASSY                                 | 1        |         |
| 6              | 682-81820-10-00 | .REAR COVER ASSY                             | 1        |         |
| 7              | 682-81840-10-00 | ..BRUSH HOLDER ASSY                          | 1        |         |
| 8              | 682-81813-10-00 | ..SPRING, BRUSH                              | 2        |         |
| 9              | 682-81811-10-00 | ..BRUSH 1 (+)                                | 1        |         |
| 10             | 682-81812-10-00 | ..BRUSH 2 (-)                                | 1        |         |
| 11             | 682-81832-10-00 | .PINION ASSY                                 | 1        |         |
| 12             | 682-81830-10-00 | .FRONT COVER ASSY                            | 1        |         |
| 13             | 682-81831-00-00 | ..METAL, FRONT                               | 1        |         |
| 14             | 682-81826-10-00 | .BOLT  | 2        |         |
| 15             | 682-81847-10-00 | .O-RING                                      | 2        |         |
| 16             | 682-81834-10-00 | .RING  | 1        |         |
| 17             | 97013-08025-00  | BOLT   | 2        |         |
| 18             | 92990-08600-00  | ..WASHER, PLATE                              | 2        |         |
| 19             | 682-81822-43-94 | BRACKET, ELECTRIC MOTOR<br>(682-81822-42-94) | 1        |         |
| 20             | 97095-06020-00  | BOLT   | 2        |         |
| 21             | 92990-06600-00  | WASHER, PLATE                                | 2        |         |
| 22             | 97095-06025-00  | BOLT   | 1        |         |
| 23             | 92990-06600-00  | WASHER, PLATE                                | 1        |         |
| 24             | 97075-06030-00  | BOLT   | 1        |         |
| 25             | 92990-06600-00  | WASHER, PLATE                                | 1        |         |

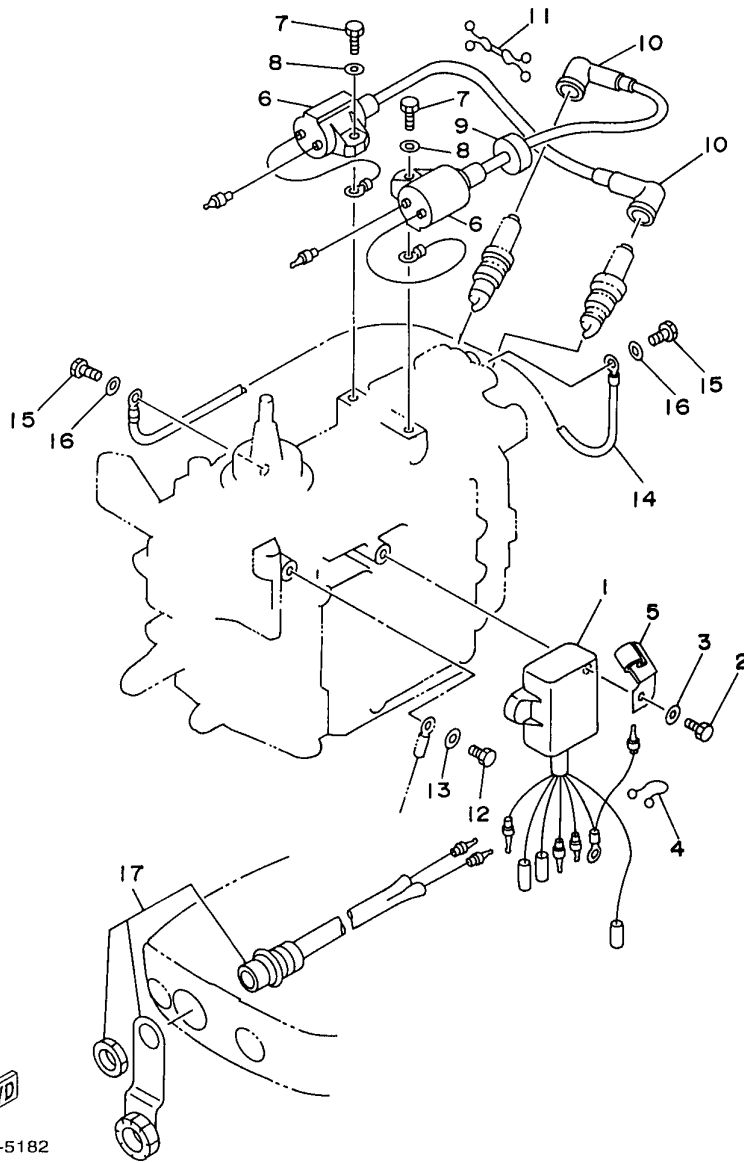
## Part Notes

15MSHV 1997 / STARTING MOTOR EH ER

| PART NUMBER    |   | NOTE TEXT  |
|----------------|---|--|
| 92990-06600-00 |  | OEM: This part number is among the Top 100 Most Popular Marine Maintenance Parts as of March 2014. |
| 92990-06600-00 |  | OEM: This part number is among the Top 100 Most Popular Marine Maintenance Parts as of March 2014. |
| 92990-06600-00 |  | OEM: This part number is among the Top 100 Most Popular Marine Maintenance Parts as of March 2014. |

©2014 Yamaha Motor Corporation, U.S.A. All rights reserved.

15MSHV 1997 / ELECTRICAL 1



FWD  
63VUS-5182







## Part List

15MSHV 1997 / ELECTRICAL 1

| REF - NO | PART NUMBER     | PART NAME            | QUANTITY | REMARKS |
|----------|-----------------|----------------------|----------|---------|
| 1        | 63V-85540-00-00 | C.D.I. UNIT ASSEMBLY | 1        |         |
| 2        | 97095-06020-00  | BOLT                 | 2        |         |
| 3        | 92990-06600-00  | WASHER, PLATE        | 2        |         |
| 4        | 90464-16039-00  | CLAMP                | 1        |         |
| 5        | 90465-08M61-00  | CLAMP                | 1        |         |
| 6        | 63V-85570-00-00 | IGNITION COIL ASSY   | 2        |         |
| 7        | 97095-06018-00  | .BOLT                | 2        |         |
| 8        | 92990-06600-00  | WASHER, PLATE        | 2        |         |
| 9        | 90480-25161-00  | GROMMET              | 1        |         |
| 10       | 663-82370-01-00 | PLUG CAP ASSY        | 2        |         |
| 11       | 90464-08M02-00  | CLAMP                | 1        |         |
| 12       | 97095-06012-00  | BOLT                 | 1        |         |
| 13       | 92990-06600-00  | WASHER, PLATE        | 1        |         |
| 14       | 662-82519-00-00 | WIRE, EARTH LEAD     | 1        |         |
| 15       | 97095-06012-00  | BOLT                 | 2        |         |
| 16       | 92990-06600-00  | WASHER, PLATE        | 2        |         |
| 17       | 682-84381-00-00 | .2P CONCENT          | 1        |         |

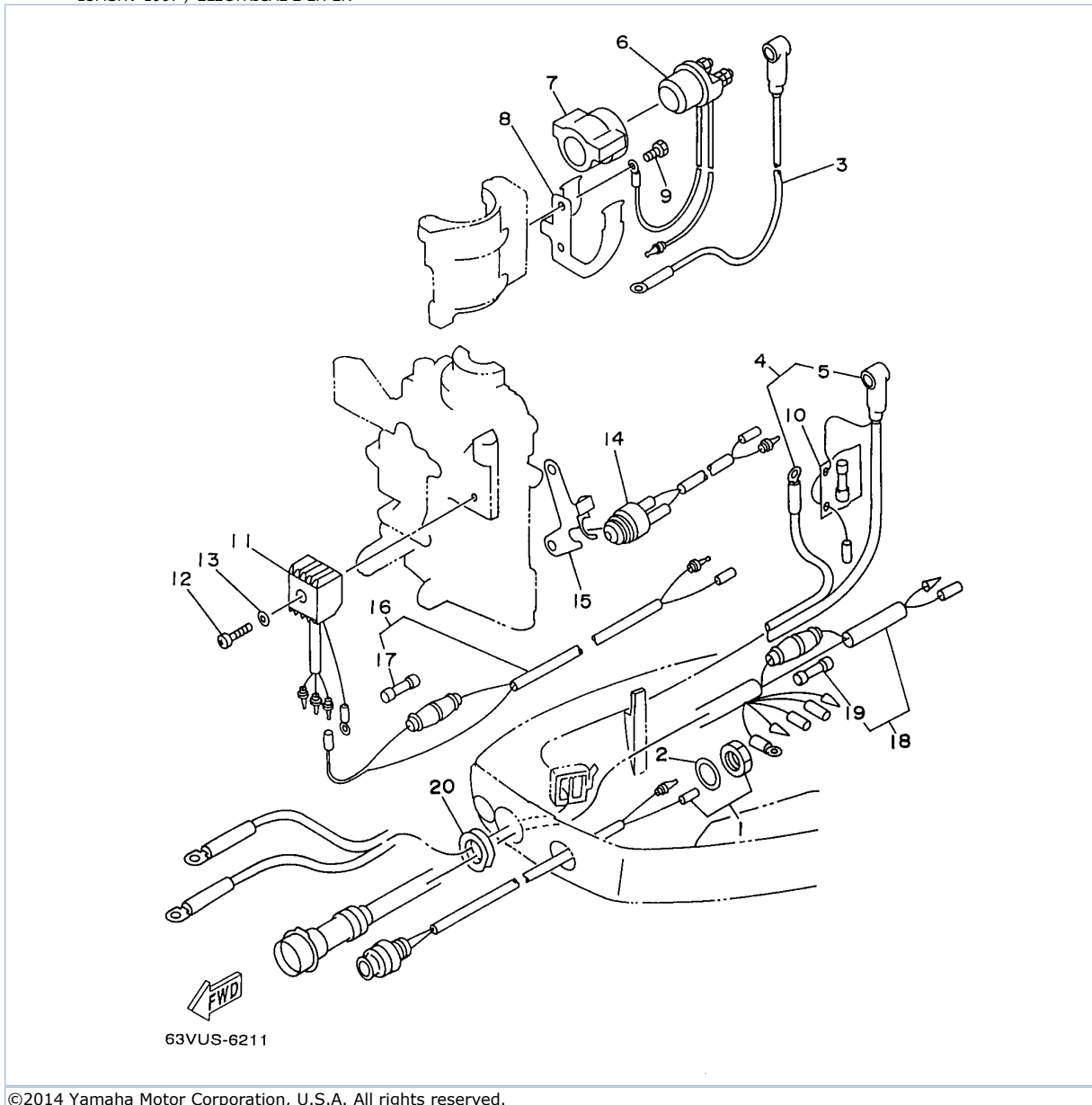
## Part Notes

15MSHV 1997 / ELECTRICAL 1

| PART NUMBER    |   | NOTE TEXT  |
|----------------|---|--|
| 92990-06600-00 |    | OEM: This part number is among the Top 100 Most Popular Marine Maintenance Parts as of March 2014. |
| 92990-06600-00 |  | OEM: This part number is among the Top 100 Most Popular Marine Maintenance Parts as of March 2014. |
| 92990-06600-00 |  | OEM: This part number is among the Top 100 Most Popular Marine Maintenance Parts as of March 2014. |
| 92990-06600-00 |  | OEM: This part number is among the Top 100 Most Popular Marine Maintenance Parts as of March 2014. |

©2014 Yamaha Motor Corporation, U.S.A. All rights reserved.

15MSHV 1997 / ELECTRICAL 2 EH ER



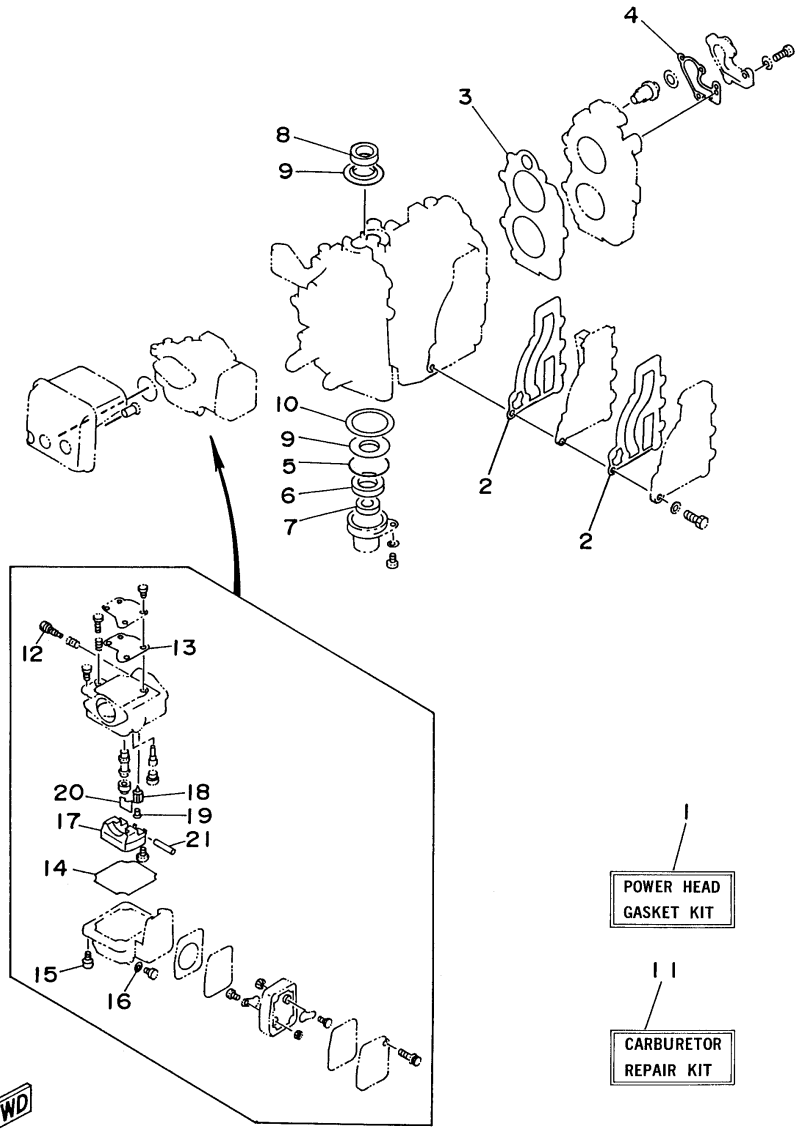
©2014 Yamaha Motor Corporation, U.S.A. All rights reserved.

## Part List

15MSHV 1997 / ELECTRICAL 2 EH ER

| REF<br>-<br>NO | PART<br>NUMBER  | PART NAME             | QUANTITY | REMARKS        |
|----------------|-----------------|-----------------------|----------|----------------|
| 1              | 689-81870-00-00 | STARTING SWITCH ASSY  | 1        | FOR 9.9EH/15EH |
| 2              | 90201-16M36-00  | WASHER, PLATE         | 1        | FOR 9.9EH/15EH |
| 3              | 6E7-82117-00-00 | WIRE, LEAD            | 1        |                |
| 4              | 6E7-82105-11-00 | BATTERY CABLE         | 1        |                |
| 5              | 682-82119-01-00 | .COVER, LEAD WIRE     | 1        |                |
| 6              | 6G1-81941-10-00 | STARTER RELAY ASSY    | 1        |                |
| 7              | 6G1-81952-00-00 | HOLDER, RELAY         | 1        |                |
| 8              | 6E7-81945-00-00 | PLATE, SWITCH FITTING | 1        |                |
| 9              | 97095-06014-00  | BOLT                  | 2        |                |
| 10             | 682-82151-00-00 | FUSE (12V-20A)        | 1        |                |
| 11             | 664-81970-61-00 | RECTIFIER ASSEMBLY    | 1        |                |
| 12             | 98580-05525-00  | SCREW, PAN HEAD       | 1        |                |
| 13             | 92990-05600-00  | WASHER, PLATE         | 1        |                |
| 14             | 688-82540-11-00 | NEUTRAL SWITCH ASSY   | 1        | FOR 9.9EH/15EH |
| 15             | 63V-82554-00-00 | STAY, NEUTRAL SWITCH  | 1        | FOR 9.9EH/15EH |
| 16             | 63V-82541-00-00 | WIRE, LEAD            | 1        | FOR 9.9EH/15EH |
| 17             | 682-82151-00-00 | .FUSE (12V-20A)       | 1        | FOR 9.9EH/15EH |
| 18             | 63V-82590-A0-00 | WIRE HARNESS ASSEMBLY | 1        | FOR 9.9ER      |
| 19             | 682-82151-00-00 | .FUSE (12V-20A)       | 1        | FOR 9.9ER      |
| 20             | 682-42724-50-00 | GROMMET               | 1        | FOR 9.9ER      |

15MSHV 1997 / REPAIR KIT 1



63VJA-5200

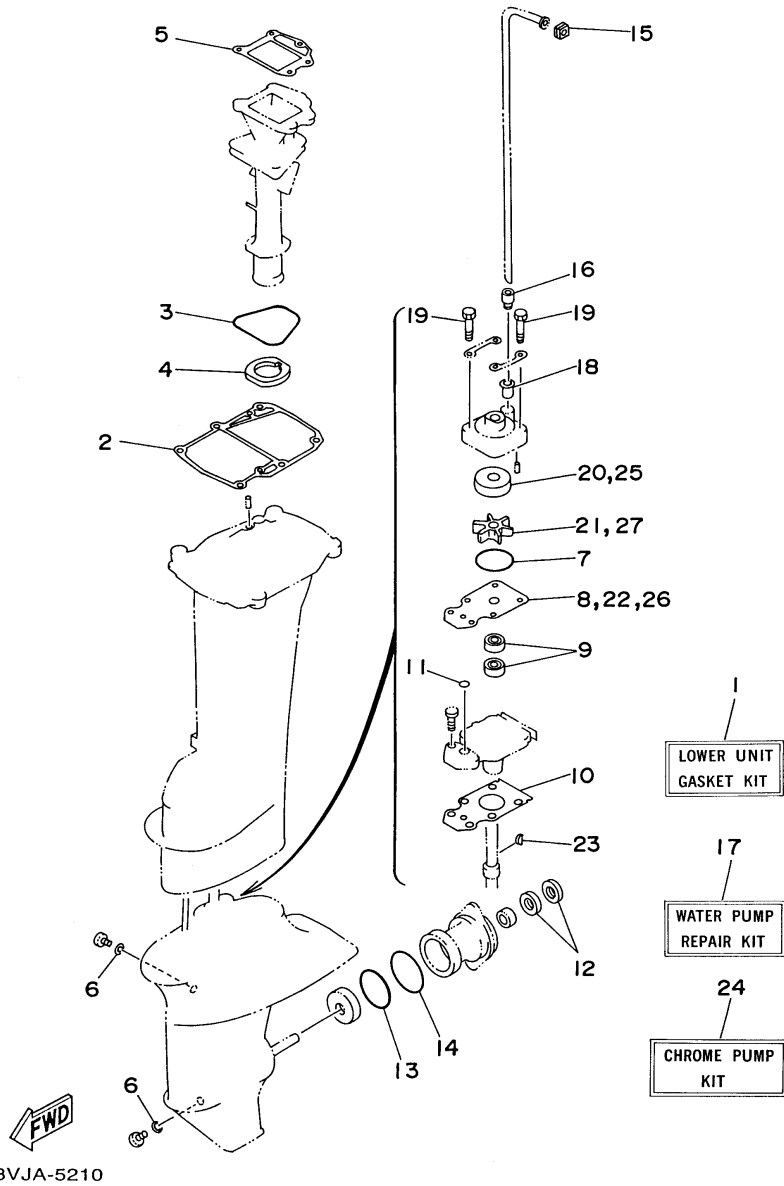
©2014 Yamaha Motor Corporation, U.S.A. All rights reserved.

## Part List

15MSHV 1997 / REPAIR KIT 1

| REF<br>-<br>NO | PART<br>NUMBER  | PART NAME                       | QUANTITY | REMARKS |
|----------------|-----------------|---------------------------------|----------|---------|
| 1              | 63V-W0001-01-00 | POWER HEAD GASKET KIT           | 1        |         |
| 2              | 63V-41112-A0-00 | .GASKET, EXHAUST INNER<br>COVER | 2        |         |
| 3              | 63V-11181-A1-00 | .GASKET, CYLINDER HEAD 1        | 1        |         |
| 4              | 682-12414-A1-00 | .GASKET, COVER                  | 1        |         |
| 5              | 93210-46M16-00  | .O-RING                         | 1        |         |
| 6              | 93102-25M48-00  | .OIL SEAL                       | 1        |         |
| 7              | 93101-13M11-00  | .OIL SEAL                       | 1        |         |
| 8              | 93110-23M00-00  | .OIL SEAL                       | 1        |         |
| 9              | 63V-11445-00-00 | .SPACER                         | 2        |         |
| 10             | 90201-46M29-00  | .WASHER, PLATE                  | 1        |         |
| 11             | 63V-W0093-00-00 | CARBURETOR REPAIR KIT           | 1        |         |
| 12             | 679-14923-00-00 | .SCREW, PILOT                   | 1        |         |
| 13             | 63V-14126-00-00 | .GASKET                         | 1        |         |
| 14             | 63V-14984-00-00 | .GASKET, FLOAT CHAMBER          | 1        |         |
| 15             | 97980-04114-00  | .SCREW, WITH WASHER             | 4        |         |
| 16             | 6G1-14398-00-00 | .WASHER                         | 1        |         |
| 17             | 63V-14985-00-00 | .FLOAT                          | 1        |         |
| 18             | 6G1-14546-00-00 | .VALVE, NEEDLE                  | 1        |         |
| 19             | 676-14186-00-00 | .PIN, FLOAT                     | 1        |         |
| 20             | 663-14159-00-00 | .CLIP                           | 1        |         |
| 21             | 6H4-14548-00-00 | .PIN, FLOAT ARM                 | 1        |         |

15MSHV 1997 / REPAIR KIT 2



63VJA-5210

©2014 Yamaha Motor Corporation, U.S.A. All rights reserved.


## Part List

15MSHV 1997 / REPAIR KIT 2

| REF - NO | PART NUMBER     | PART NAME                   | QUANTITY | REMARKS |
|----------|-----------------|-----------------------------|----------|---------|
| 1        | 63V-W0001-21-00 | LOWER UNIT GASKET KIT       | 1        |         |
| 2        | 63V-45113-A1-00 | .GASKET, UPPER CASING       | 1        |         |
| 3        | 93210-71MH6-00  | .O-RING                     | 1        |         |
| 4        | 63V-41135-00-00 | .GASKET, EXHAUST MANIFOLD   | 1        |         |
| 5        | 63V-41133-A1-00 | .GASKET, EXHAUST MANIFOLD 1 | 1        |         |
| 6        | 90430-08020-00  | .GASKET                     | 2        |         |
| 7        | 93210-44704-00  | .O-RING                     | 1        |         |
| 8        | 63V-44323-00-00 | .OUTER PLATE, CARTRIDGE     | 1        |         |
| 9        | 93101-20048-00  | .OIL SEAL                   | 2        |         |
| 10       | 63V-45315-A0-00 | .PACKING, LOWER CASING      | 1        |         |
| 11       | 93210-06ME6-00  | .O-RING                     | 1        |         |
| 12       | 93101-17054-00  | .OIL SEAL                   | 2        |         |
| 13       | 93210-57M09-00  | .O-RING                     | 1        |         |
| 14       | 93210-56M80-00  | .O-RING                     | 1        |         |
| 15       | 63V-44365-10-00 | .DAMPER, WATER SEAL 1       | 1        |         |
| 16       | 63V-44368-00-00 | .RUBBER, WATER SEAL 4       | 1        |         |
| 17       | 63V-W0078-00-00 | WATER PUMP REPAIR KIT       | 1        |         |
| 18       | 647-44366-00-00 | .DAMPER, WATER SEAL         | 1        |         |
| 19       | 97080-08045-00  | .BOLT                       | 4        |         |
| 20       | 63V-44322-00-00 | .INSERT, CARTRIDGE          | 1        |         |
| 21       | 63V-44352-00-00 | .IMPELLER                   | 1        |         |
| 22       | 63V-44323-00-00 | .OUTER PLATE, CARTRIDGE     | 1        |         |
| 23       | 664-44338-00-00 | .KEY, WOODRUFF              | 1        |         |
| 24       | 63V-W0078-0A-00 | CHROME PUMP KIT             | 1        |         |
| 25       | 63V-44322-40-00 | .INSERT, CARTRIDGE          | 1        |         |
| 26       | 63V-44323-40-00 | .OUTER PLATE, CARTRIDGE     | 1        |         |
| 27       | 63V-44352-00-00 | .IMPELLER                   | 1        |         |

## Part Notes

15MSHV 1997 / REPAIR KIT 2

| PART NUMBER  | NOTE TEXT  |
|--|--|
| 90430-08020-00  | OEM: This part number is among the Top 100 Most Popular Marine Maintenance Parts as of March 2014. |

©2014 Yamaha Motor Corporation, U.S.A. All rights reserved.

©2014 Yamaha Motor Corporation, U.S.A. All rights reserved.