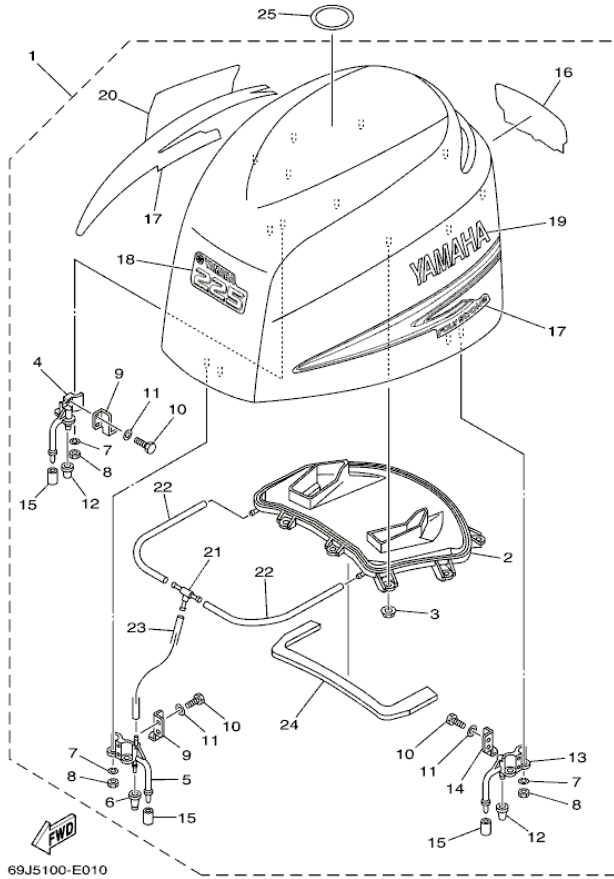


F200TXR 0406 / TOP COWLING



69J5100-E010

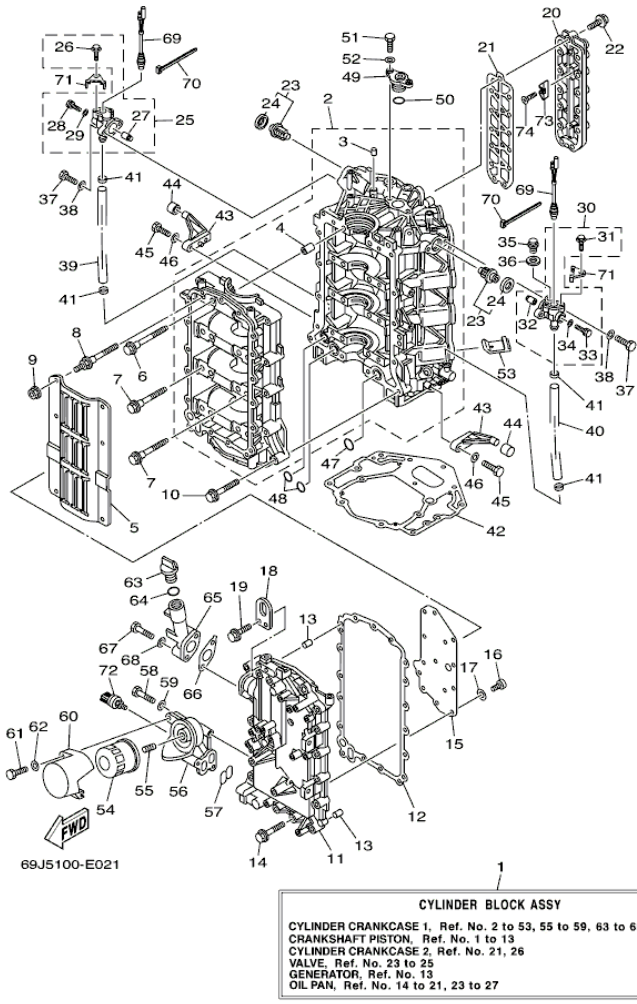
©2013 Yamaha Motor Corporation, U.S.A. All rights reserved.

Part List

F200TXR 0406 / TOP COWLING

REF - NO	PART NUMBER	PART NAME	QUANTITY	REMARKS
1	60L-42610-01-8D	TOP COWLING ASSY	1	F200/LF200
2	69J-42613-00-00	.MOLDING, AIR DUCT	1	
3	90179-06M28-00	.NUT	9	
4	68F-42647-01-94	.HOLDER, CLAMP BAND	1	
5	69J-42647-00-94	.HOLDER, CLAMP BAND	1	
6	69J-42663-00-00	.DAMPER	1	
7	92990-06100-00	.WASHER, SPRING	6	
8	95380-06600-00	.NUT, HEXAGON	6	
9	68F-42651-00-00	.HOOK	2	
10	97095-06016-00	.BOLT	6	
11	92995-06600-00	.WASHER	6	
12	68F-42663-00-00	.DAMPER	2	
13	68F-42648-01-94	.HOLDER, CLAMP BAND	1	
14	67F-42652-00-00	.HOOK	1	
15	67F-13448-00-00	.CAP	3	
16	60L-42678-00-00	.GRAPHIC, REAR	1	F200/LF200
17	69J-W0070-00-00	.GRAPHIC SET	1	
18	60L-42677-00-00	.GRAPHIC, FRONT	1	F200/LF200
19	69J-42681-00-00	.MARK, COWLING	1	
20	69J-42682-00-00	.MARK, COWLING	1	
21	69J-24378-00-00	.PIPE, JOINT 3	1	
22	90445-11020-00	.HOSE (L400)	2	
23	90445-11021-00	.HOSE (L310)	1	
24	69J-42617-00-00	.DAMPER, FORM	1	
25	67F-13434-03-00	LABEL, CAUTION	1	

F200TXR 0406 / CYLINDER CRANKCASE 1



©2013 Yamaha Motor Corporation, U.S.A. All rights reserved.

Part List


F200TXR 0406 / CYLINDER CRANKCASE 1

REF - NO	PART NUMBER	PART NAME	QUANTITY	REMARKS
1	69J-W009B-04-1S	CYLINDER BLOCK ASSY	1	
2	69J-15100-11-1S	CRANKCASE ASSY	1	
3	93606-12019-00	.PIN, DOWEL	1	
4	91814-18001-00	.PIN, DOWEL	8	
5	69J-15123-00-00	PLATE, BAFFLE 1	1	
6	69J-15187-00-00	BOLT	8	
7	69J-15481-00-00	BOLT 1	2	
8	69J-15482-00-00	BOLT 2	6	
9	95707-06500-00	NUT, FLANGE	6	
10	90119-08M66-00	BOLT, WITH WASHER	13	
11	69J-15411-00-94	COVER, CRANKCASE 1	1	
12	69J-15451-00-00	.GASKET, CRANKCASE COVER 1	1	
13	93606-12019-00	.PIN, DOWEL	2	
14	90119-08009-00	BOLT, WITH WASHER	17	
15	69J-11168-00-00	COVER, BREATHER	1	
16	98507-04008-00	..SCREW, PAN HEAD	14	
17	92907-04600-00	.WASHER	14	
18	69J-11119-00-00	HANGER, ENGINE	1	
19	90119-06MA2-00	BOLT, WITH WASHER	2	
20	69J-1131C-01-1S	COVER, JOINT	1	
21	6S1-1131B-00-00	.GASKET, COVER	1	
22	90119-06MA4-00	BOLT, WITH WASHER	13	
23	67F-12411-01-00	THERMOSTAT	2	
24	67F-12412-00-00	.SEAL, THERMOSTAT	1	
25	6P2-1240H-00-1S	ANODE ASSY	1	
26	90109-06M80-00	.BOLT	2	
27	6P3-11325-00-00	.ANODE	1	
28	90105-05012-00	.BOLT, FLANGE	1	
29	90430-05002-00	.GASKET	1	
30	6P3-1240H-00-1S	ANODE ASSY	1	
31	90109-06M80-00	.BOLT	2	
32	6P3-11325-00-00	.ANODE	1	
33	90105-05012-00	.BOLT, FLANGE	1	
34	90430-05002-00	.GASKET	1	
35	90340-14M06-00	PLUG, STRAIGHT SCREW	1	
36	90430-14115-00	.GASKET	1	
37	97095-06025-00	BOLT	4	
38	92995-06600-00	WASHER	4	
39	69J-1243A-00-00	HOSE 1	1	
40	69J-1243E-00-00	HOSE 2	1	
41	90465-11M10-00	CLAMP	4	
42	69J-11351-11-00	.GASKET, CYLINDER	1	
43	67F-42761-00-94	STOPPER	2	
44	68F-44533-00-00	DAMPER, UPPER MOUNT RUBBER	2	
45	97095-06025-00	BOLT	4	
46	92995-06600-00	WASHER	4	
47	93210-25552-00	O-RING	1	
48	93210-19MJ1-00	.O-RING	2	
49	69J-11313-00-94	PLUG, BLIND	1	
50	93210-25647-00	.O-RING	1	
51	97095-06020-00	BOLT	2	
52	92995-06600-00	WASHER	2	
53	69J-14664-00-00	.GROMMET, WATER SHUT	2	
54	69J-13440-00-00	ELEMENT ASSY, OIL CLEANER	1	
55	69J-12858-00-00	BOLT, UNION	1	
56	69J-13446-00-94	CONNECTOR	1	
57	69J-13477-00-00	.GASKET	1	
58	97095-06045-00	.BOLT	3	
59	92995-06600-00	WASHER	3	
60	69J-13447-00-00	COVER, OIL ELEMENT	1	
61	97095-06040-00	.BOLT	1	
62	92995-06600-00	WASHER	1	
63	6G8-15363-00-00	PLUG, OIL	1	
64	93210-24M79-00	.O-RING	1	

65	69J-15319-00-1S	JOINT	1	
66	69J-15364-A0-00	.GASKET, OIL PLUG	1	
67	97095-06045-00	.BOLT	2	
68	92995-06600-00	WASHER	2	
69	69J-82560-00-00	THERMO SWITCH ASSY	2	
70	90465-11M10-00	CLAMP	2	
71	6E9-82588-00-00	PLATE	2	
72	69J-83651-00-00	SENDER, OIL PRESSURE	1	
73	6E5-11325-00-00	ANODE	4	
74	98780-04015-00	SCREW, FLAT HEAD	4	

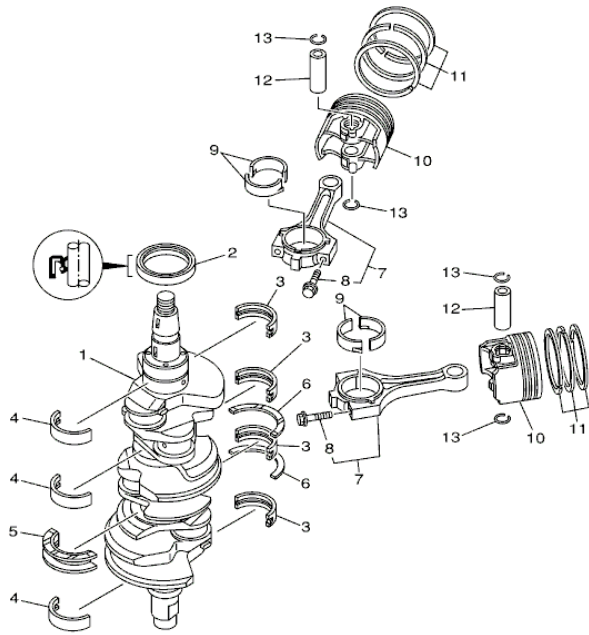
Part Notes

F200TXR 0406 / CYLINDER CRANKCASE 1

PART NUMBER		NOTE TEXT
67F-12411-01-00		OEM: This part number is among the Top 100 Most Popular Marine Maintenance Parts as of August 2013.

©2013 Yamaha Motor Corporation, U.S.A. All rights reserved.

F200TXR 0406 / CRANKSHAFT PISTON



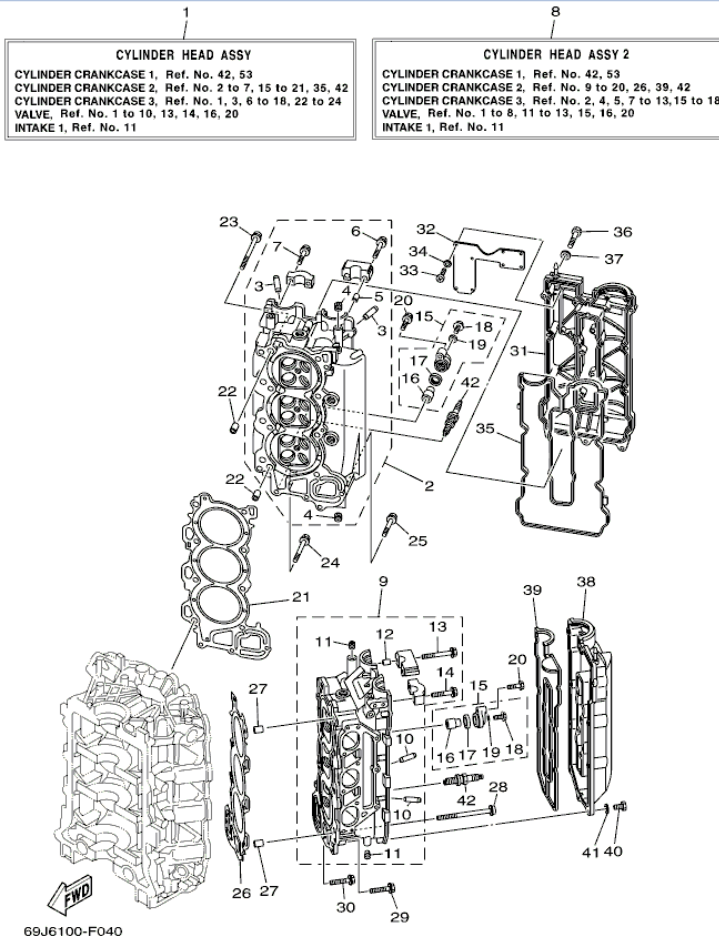

69J1010-2030

Part List

F200TXR 0406 / CRANKSHAFT PISTON

REF - NO	PART NUMBER	PART NAME	QUANTITY	REMARKS
1	69J-11411-00-00	CRANKSHAFT	1	
2	93102-63004-00	OIL SEAL	1	
3	69J-11416-00-00	PLANE BEARING, CRANKSHAFT 1	4	UR #1
3	69J-11416-20-00	PLANE BEARING, CRANKSHAFT 1	4	UR #3
3	69J-11416-10-00	PLANE BEARING, CRANKSHAFT 1	4	UR #2
4	69J-11417-00-00	PLANE BEARING, CRANKSHAFT 2	3	UR #1
4	69J-11417-20-00	PLANE BEARING, CRANKSHAFT 2	3	UR #3
4	69J-11417-10-00	PLANE BEARING, CRANKSHAFT 2	3	UR #2
5	69J-11426-00-00	BEARING, THRUST 1	1	UR #1
5	69J-11426-20-00	PLANE BEARING, CRANKSHAFT 1	1	UR #3
5	69J-11426-10-00	PLANE BEARING, CRANKSHAFT 1	1	UR #2
6	69J-11427-00-00	BEARING, THRUST 2	2	
7	69J-W1165-01-00	CONNECTING ROD ASSY	6	
8	69J-11654-00-00	.BOLT, CONNECTING ROD	2	
9	69J-11656-00-00	PLANE BEARING, CONNECTING ROD	12	UR YELLOW
9	69J-11656-20-00	PLANE BEARING, CONNECTING ROD	12	UR BLUE
9	69J-11656-10-00	PLANE BEARING, CONNECTING	12	UR GREEN
10	69J-11635-00-00	P[ISTON (0.25MM OS)	6	AP
10	69J-11631-02-B0	PISTON (STD)	6	
11	63P-11604-00-00	PISTON RING SET (0.25MM OS)	6	AP
11	63P-11603-01-00	PISTON RING SET (STD)	6	
12	69J-11633-00-00	PIN, PISTON	6	
13	69J-11634-00-00	CLIP, PISTON PIN	12	

F200TXR 0406 / CYLINDER CRANKCASE 2



©2013 Yamaha Motor Corporation, U.S.A. All rights reserved.



Part List

F200TXR 0406 / CYLINDER CRANKCASE 2

REF - NO	PART NUMBER	PART NAME	QUANTITY	REMARKS
1	69J-W009A-05-1S	CYLINDER HEAD COMPLETE	1	
2	69J-11110-01-94	CYLINDER HEAD ASSY	1	
3	69J-11133-10-00	.GUIDE, VALVE 1	12	
4	90344-51019-00	.PLUG, TAPER SCREW	5	
5	91809-08006-00	.PIN, DOWEL	2	
6	90119-07235-00	.BOLT/WASHER-CAM CAPS	2	
7	90119-07234-00	.BOLT, WITH WASHER	18	
8	69J-W009C-05-1S	CYLINDER HEAD 2 COMPLETE	1	
9	69J-11120-01-94	CYLINDER HEAD ASSY 2	1	
10	69J-11133-10-00	.GUIDE, VALVE 1	12	
11	90344-51019-00	.PLUG, TAPER SCREW	5	
12	91809-08006-00	.PIN, DOWEL	2	
13	90119-07235-00	.BOLT/WASHER-CAM CAPS	2	
14	90119-07234-00	.BOLT, WITH WASHER	14	
15	69J-11301-10-00	ANODE COVER ASSY	4	
16	68V-11325-02-00	.ANODE	1	
17	67F-11328-00-00	.GROMMET, ANODE	1	
18	90105-06M07-00	.BOLT, FLANGE	1	
19	90430-06M03-00	.GASKET	1	
20	97575-08540-00	BOLT, WITH WASHER	4	
21	69J-11181-03-00	.GASKET, CYLINDER HEAD 1	1	
22	90387-10M08-00	COLLAR	2	
23	90155-10001-00	SCREW, FLAT FILLISTER	8	
24	90119-08M91-00	BOLT, WITH WASHER	2	
25	90119-08021-00	BOLT, WITH WASHER	1	
26	69J-11182-03-00	.GASKET, CYLINDER HEAD 2	1	
27	90387-10M08-00	COLLAR	2	
28	90155-10001-00	SCREW, FLAT FILLISTER	8	
29	90119-08M91-00	BOLT, WITH WASHER	2	
30	90119-08021-00	BOLT, WITH WASHER	1	
31	69J-11191-00-1S	COVER, CYLINDER HEAD 1	1	
32	69J-11135-00-00	PLATE, BREATHER 3	1	
33	98507-04008-00	..SCREW, PAN HEAD	8	
34	92907-04600-00	.WASHER	8	
35	69J-11193-01-00	.GASKET, HEAD COVER 1	1	
36	97095-06030-00	BOLT	14	
37	92995-06600-00	WASHER	14	
38	69J-11192-00-1S	COVER, CYLINDER HEAD 2	1	
39	69J-11194-00-00	.GASKET, HEAD COVER 2	1	
40	97095-06030-00	BOLT	14	
41	92995-06600-00	WASHER	14	
42	NGK-LFR5A-11-00	PLUG, SPARK (NGK LFR5A- 11)	6	

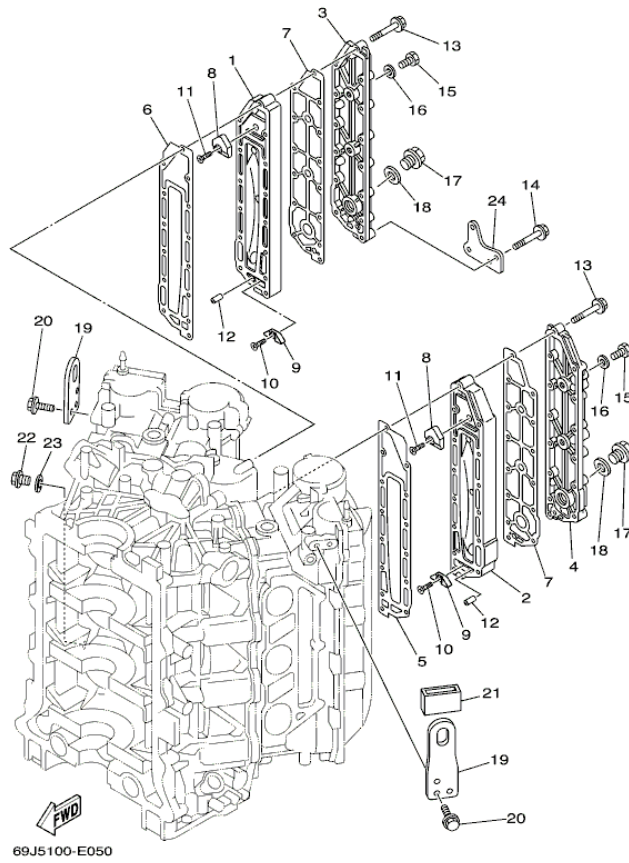
Part Notes

F200TXR 0406 / CYLINDER CRANKCASE 2

PART NUMBER	NOTE TEXT
68V-11325-02-00 	OEM: This part number is among the Top 100 Most Popular Marine Maintenance Parts as of August 2013.
67F-11328-00-00 	OEM: This part number is among the Top 100 Most Popular Marine Maintenance Parts as of August 2013.

©2013 Yamaha Motor Corporation, U.S.A. All rights reserved.

F200TXR 0406 / CYLINDER CRANKCASE 3



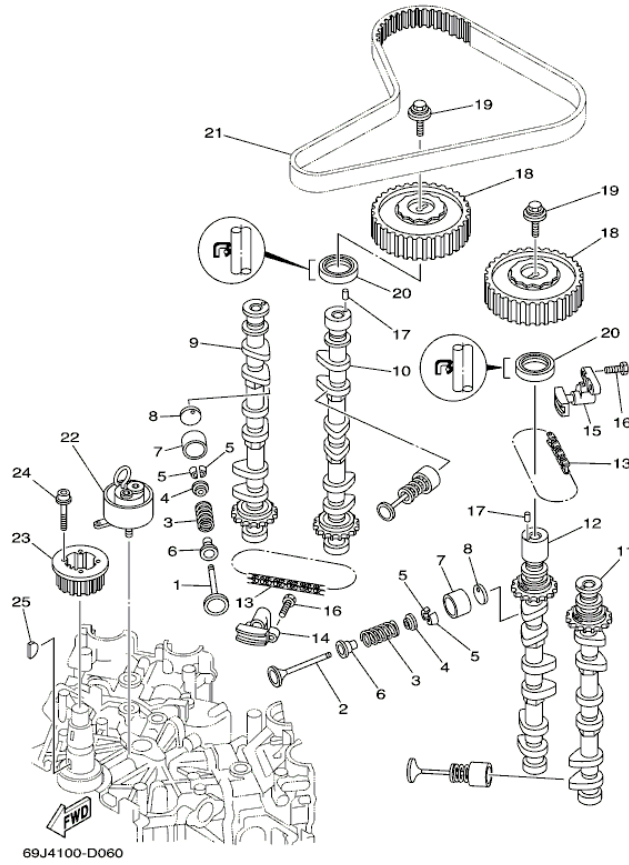
©2013 Yamaha Motor Corporation, U.S.A. All rights reserved.

Part List

F200TXR 0406 / CYLINDER CRANKCASE 3

REF - NO	PART NUMBER	PART NAME	QUANTITY	REMARKS
1	69J-41111-01-1S	INNER COVER, EXHAUST	1	
2	69J-41121-01-1S	INNER COVER,EXHAUST	1	
3	69J-41113-01-1S	OUTER COVER, EXHAUST	1	
4	69J-41123-01-1S	OUTER COVER, EXHAUST	1	
5	6P2-41112-00-00	.GASKET, EXHAUST INNER COVER	1	
6	6P2-41122-00-00	.GASKET, EXHAUST INNER COVER	1	
7	6P2-41114-00-00	.GASKET, EXHAUST OUTER COVER	2	
8	6P2-11325-00-00	ANODE	2	
9	6E5-11325-00-00	ANODE	2	
10	98780-04015-00	SCREW, FLAT HEAD	2	
11	90151-06M02-00	SCREW, COUNTERSUNK	2	
12	91690-40010-00	PIN, SPRING	2	
13	90119-06027-00	BOLT, WITH WASHER	26	
14	90119-06104-00	BOLT, WITH WASHER	2	
15	97095-08014-00	BOLT	4	
16	90430-08143-00	GASKET	4	
17	90340-18M09-00	PLUG, STRAIGHT SCREW	2	
18	90430-18130-00	.GASKET	2	
19	6P2-11119-00-00	HANGER, ENGINE	2	
20	90119-06MA2-00	BOLT, WITH WASHER	4	
21	69J-1111M-00-00	COVER 1	1	
22	90340-14M06-00	PLUG, STRAIGHT SCREW	1	
23	90430-14115-00	.GASKET	1	
24	69J-2134V-00-00	BRACKET	1	

F200TXR 0406 / VALVE



©2013 Yamaha Motor Corporation, U.S.A. All rights reserved.


Part List

F200TXR 0406 / VALVE

REF - NO	PART NUMBER	PART NAME	QUANTITY	REMARKS
1	69J-12111-00-00	VALVE, INTAKE	12	
2	69J-12121-00-00	VALVE, EXHAUST	12	
3	69J-12113-01-00	SPRING, VALVE INNER	24	
4	69J-12117-01-00	RETAINER, VALVE SPRING	24	
5	69J-12118-00-00	COTTER, VALVE	48	
6	69J-12119-00-00	SEAL, VALVE STEM	24	
7	69J-12153-00-00	LIFTER, VALVE	24	
8	6S1-12168-00-00	PAD, ADJUSTING (2.320)	24	UR
8	6S1-12169-00-00	PAD, ADJUSTING (2.960)	24	UR
8	6S1-12168-20-00	PAD, ADJUSTING (2.360)	24	UR
8	6S1-12168-30-00	PAD, ADJUSTING (2.380)	24	UR
8	6S1-12168-40-00	PAD, ADJUSTING (2.400)	24	UR
8	6S1-12168-50-00	PAD, ADJUSTING (2.420)	24	UR
8	6S1-12168-60-00	PAD, ADJUSTING (2.440)	24	UR
8	6S1-12168-70-00	PAD, ADJUSTING (2.460)	24	UR
8	6S1-12168-80-00	PAD, ADJUSTING (2.480)	24	UR
8	6S1-12168-90-00	PAD, ADJUSTING (2.500)	24	UR
8	6S1-12168-A0-00	PAD, ADJUSTING (2.520)	24	UR
8	6S1-12168-B0-00	PAD, ADJUSTING (2.540)	24	UR
8	6S1-12168-C0-00	PAD, ADJUSTING (2.560)	24	UR
8	6S1-12168-D0-00	PAD, ADJUSTING (2.580)	24	UR
8	6S1-12168-E0-00	PAD, ADJUSTING (2.600)	24	UR
8	6S1-12168-F0-00	PAD, ADJUSTING (2.620)	24	UR
8	6S1-12168-G0-00	PAD, ADJUSTING (2.640)	24	UR
8	6S1-12168-H0-00	PAD, ADJUSTING (2.660)	24	UR
8	6S1-12168-J0-00	PAD, ADJUSTING (2.680)	24	UR
8	6S1-12168-K0-00	PAD, ADJUSTING (2.700)	24	UR
8	6S1-12168-L0-00	PAD, ADJUSTING (2.720)	24	UR
8	6S1-12168-M0-00	PAD, ADJUSTING (2.740)	24	UR
8	6S1-12168-N0-00	PAD, ADJUSTING (2.760)	24	UR
8	6S1-12168-P0-00	PAD, ADJUSTING (2.780)	24	UR
8	6S1-12168-R0-00	PAD, ADJUSTING (2.800)	24	UR
8	6S1-12168-S0-00	PAD, ADJUSTING (2.820)	24	UR
8	6S1-12168-T0-00	PAD, ADJUSTING (2.840)	24	UR
8	6S1-12168-U0-00	PAD, ADJUSTING (2.860)	24	UR
8	6S1-12168-V0-00	PAD, ADJUSTING (2.880)	24	UR
8	6S1-12168-W0-00	PAD, ADJUSTING (2.900)	24	UR
8	6S1-12168-X0-00	PAD, ADJUSTING (2.920)	24	UR
8	6S1-12168-Y0-00	PAD, ADJUSTING (2.940)	24	UR
8	6S1-12168-10-00	PAD, ADJUSTING (2.340)	24	UR
9	69J-12171-00-00	CAMSHAFT 1	1	
10	69J-12181-00-00	CAMSHAFT 2	1	
11	69J-12172-00-00	CAMSHAFT 3	1	
12	69J-12182-00-00	CAMSHAFT 4	1	
13	94581-99044-00	CHAIN	2	
14	69J-12210-00-00	TENSIONER ASSY, CAM CHAIN	1	
15	69J-12230-00-00	TENSIONER ASSY, CAM CHAIN 2	1	
16	97013-06025-00	BOLT	4	
17	93605-10108-00	PIN, DOWEL	2	
18	69J-11537-00-00	GEAR, DRIVEN	2	
19	90119-10M06-00	BOLT, WITH WASHER	2	
20	93102-38M59-00	.OIL SEAL	2	
21	69J-46241-00-00	BELT	1	
22	63P-11590-01-00	TENSIONER ASSY	1	
23	69J-11536-00-00	GEAR, DRIVE	1	
24	90110-05010-00	BOLT, HEXAGON SOCKET HEAD	4	
25	90280-04008-00	KEY, WOODRUFF	1	

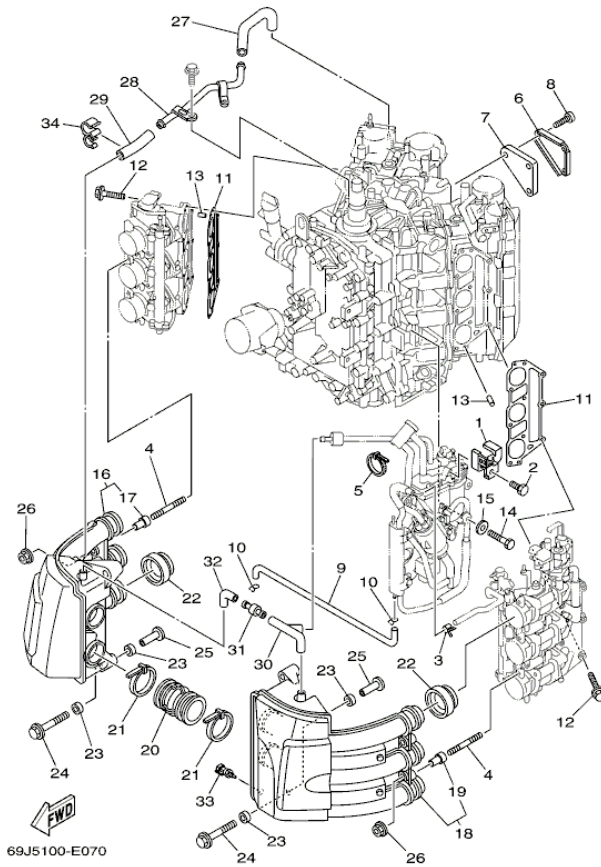
Part Notes

F200TXR 0406 / VALVE

PART NUMBER	NOTE TEXT
69J-12119-00-00 	OEM: This part number is among the Top 100 Most Popular Marine Maintenance Parts as of August 2013.

©2013 Yamaha Motor Corporation, U.S.A. All rights reserved.

F200TXR 0406 / INTAKE 1



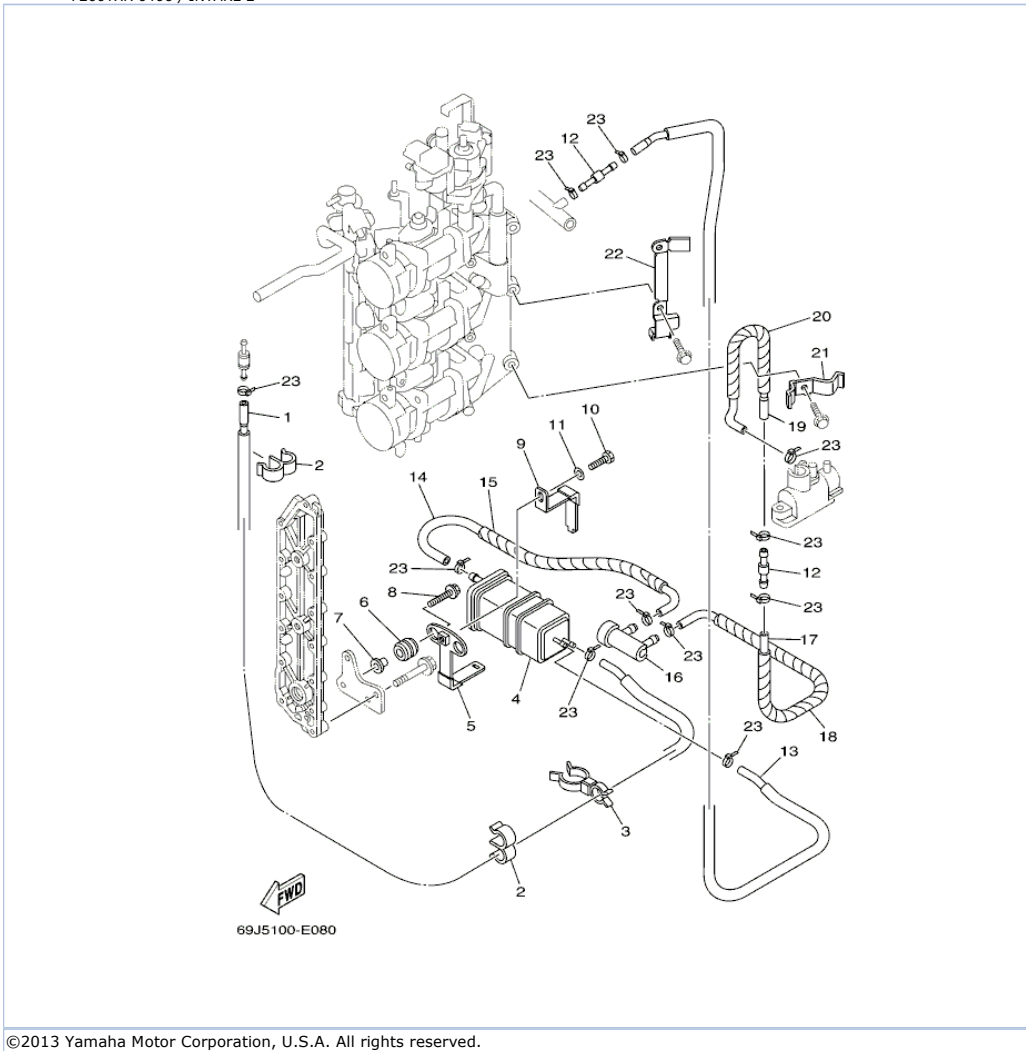
©2013 Yamaha Motor Corporation, U.S.A. All rights reserved.

Part List

F200TXR 0406 / INTAKE 1

REF - NO	PART NUMBER	PART NAME	QUANTITY	REMARKS
1	69J-14146-11-00	PLATE	1	
2	69J-14162-00-00	BOLT, HOLDING	1	
3	68V-24519-00-00	CLIP	1	
4	90116-06032-00	BOLT, STUD	4	
5	90465-14M66-00	CLAMP	1	
6	69J-1442A-00-00	COVER, CLEANER CASE 3	1	
7	69J-14409-00-00	DAMPER	1	
8	97780-60620-00	SCREW, TAPPING	3	
9	69J-12483-00-00	PIPE 3	1	
10	90467-09M03-00	CLIP	2	
11	69J-13645-00-00	.GASKET, MANIFOLD 1	2	
12	90119-08022-00	BOLT, WITH WASHER	18	
13	91690-50014-00	PIN, SPRING	4	
14	90101-06M75-00	BOLT	4	
15	90201-06068-00	WASHER, PLATE	4	
16	69J-14440-00-00	SILENCER ASSY, INTAKE	1	
17	90387-07005-00	.COLLAR	2	
18	69J-1444F-00-00	SILENCER ASSY, INTAKE 2	1	
19	90387-07005-00	.COLLAR	2	
20	69J-14419-00-00	PIPE	2	
21	90465-11M52-00	CLAMP	4	
22	69J-14457-00-00	SEAL	6	
23	90386-08001-00	BUSH	8	
24	90119-06036-00	BOLT, WITH WASHER	4	
25	90387-06038-00	COLLAR	4	
26	90179-06M28-00	NUT	4	
27	69J-15373-00-00	PIPE, BREATHER	1	
28	69J-15394-00-00	PIPE, OIL VENT	1	
29	69J-15393-00-00	PIPE, BREATHER 2	1	
30	69J-15397-00-00	PIPE	1	
31	5EL-14467-00-00	SEAL	1	
32	69J-14348-00-00	PIPE 1	1	
33	65L-85886-00-00	THERMOSENSOR	1	
34	90464-15007-00	CLAMP	1	

F200TXR 0406 / INTAKE 2

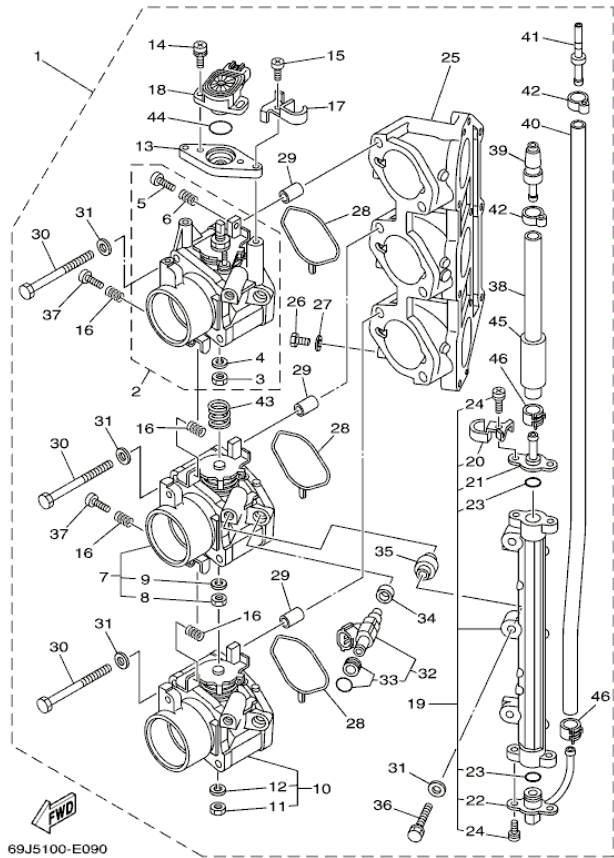


Part List

F200TXR 0406 / INTAKE 2

REF - NO	PART NUMBER	PART NAME	QUANTITY	REMARKS
1	60L-24315-01-00	PIPE 5	1	
2	90464-12238-00	CLAMP	2	
3	90464-23001-00	CLAMP	1	
4	69J-24170-00-00	CANISTER ASSY	1	
5	69J-2134X-00-00	BRACKET, CANISTER	1	
6	90480-10M23-00	GROMMET	2	
7	90387-06M60-00	COLLAR	2	
8	90119-06M59-00	BOLT, WITH WASHER	2	
9	69J-2419A-00-00	HOLDER	1	
10	97095-06016-00	BOLT	1	
11	92995-06600-00	WASHER	1	
12	6E5-24379-00-00	PIPE, JOINT 4	2	
13	60L-24314-01-00	PIPE 4	1	
14	60L-24313-00-00	PIPE 3	1	
15	90448-12003-00	HOSE, WITH UNION	1	
16	69J-24502-00-00	FILTER, FUEL	1	
17	60L-24312-00-00	PIPE 2	1	
18	90448-12001-00	HOSE, WITH UNION	1	
19	60L-24311-00-00	PIPE, FUEL 1	1	
20	90448-10002-00	HOSE, WITH UNION	1	
21	60L-24367-00-00	CLAMP, FUEL PIPE 2	1	
22	60L-24366-00-00	CLAMP, FUEL PIPE 1	1	
23	90465-11M10-00	CLAMP	11	

F200TXR 0406 / THROTTLE BODY ASSY 1



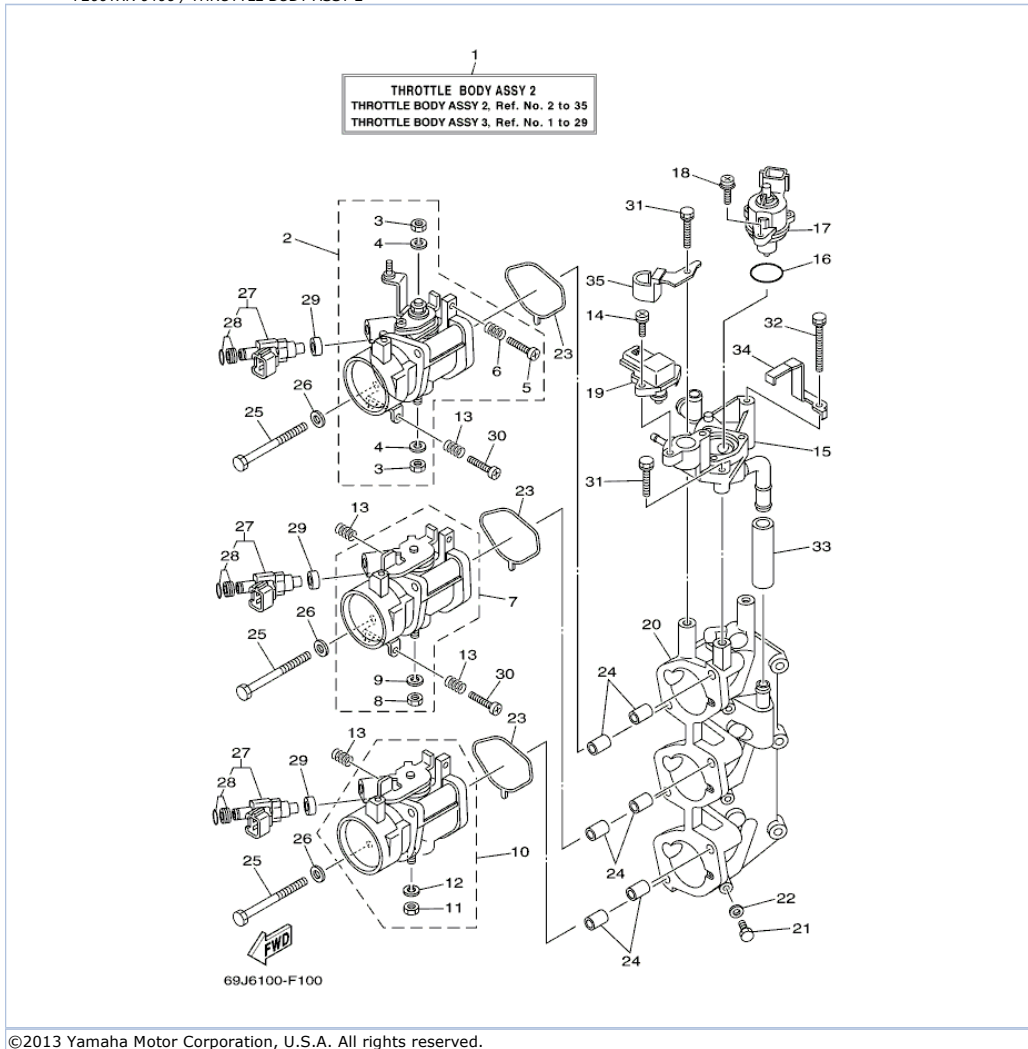
©2013 Yamaha Motor Corporation, U.S.A. All rights reserved.

Part List

F200TXR 0406 / THROTTLE BODY ASSY 1

REF - NO	PART NUMBER	PART NAME	QUANTITY	REMARKS
1	60L-13750-01-00	THROTTLE BODY ASSY	1	F200/LF200
2	60L-13751-01-00	.BODY, THROTTLE 1	1	F200/LF200
3	3CF-14594-00-00	..NUT	1	
4	92990-08100-00	..WASHER, SPRING	1	
5	68V-14323-00-00	..SCREW, AIR ADJUSTING	1	
6	68V-14331-00-00	..SPRING, THROTTLE VALVE	1	
7	60L-13753-01-00	.BODY, THROTTLE 3	1	F200/LF200
8	3CF-14594-00-00	..NUT	1	
9	92990-08100-00	..WASHER, SPRING	1	
10	60L-13755-01-00	.BODY, THROTTLE 5	1	F200/LF200
11	3CF-14594-00-00	..NUT	1	
12	92990-08100-00	..WASHER, SPRING	1	
13	69J-13576-00-00	.SPACER	1	
14	68V-81145-01-00	.SCREW 1	2	
15	68V-14565-00-00	.SCREW	2	
16	68V-14331-00-00	.SPRING, THROTTLE VALVE	4	
17	69J-14261-00-00	.HOLDER	1	
18	651-85885-00-00	.THROTTLE SENSOR ASSY	1	
19	69J-13160-00-00	.DELIVERY PIPE ASSY 1	1	
20	69J-14261-00-00	..HOLDER	1	
21	69J-14295-00-00	..PIPE, FUEL	1	
22	69J-14251-00-00	..NIPPLE	1	
23	68V-14397-00-00	..O-RING	2	
24	68V-81147-00-00	..SCREW 3	4	
25	69J-13641-00-00	.MANIFOLD 1	1	
26	97095-06010-00	.BOLT	3	
27	90430-06014-00	.GASKET	3	
28	69J-13557-00-00	.GASKET	3	
29	99530-10114-00	.PIN, DOWEL	6	
30	69J-14496-00-00	.BOLT	6	
31	68V-14475-00-00	.WASHER	9	
32	69J-13761-00-00	.INJECTOR	3	
33	68V-14108-00-00	..PACKING KIT	1	
34	68V-13766-00-00	.RUBBER, INJECTOR	3	
35	68V-14264-00-00	.COLLAR	3	
36	68V-14428-00-00	.BOLT	3	
37	69J-14321-00-00	.SCREW, THROTTLE	2	
38	69J-13973-00-00	.PIPE, FUEL 3	1	
39	68F-24300-00-00	.FUEL PIPE JOINT	1	
40	69J-13972-00-00	.PIPE, FUEL 2	1	
41	69J-24381-00-00	.SET BAR, FUEL JOINT	1	
42	68V-24387-00-00	.CLIP	2	
43	60L-14286-00-00	.SPRING	1	F200/LF200
44	68V-8182L-00-00	.O-RING 1	1	
45	69J-14149-00-00	.PIPE	1	
46	68V-13577-00-00	.CLIP	2	

F200TXR 0406 / THROTTLE BODY ASSY 2



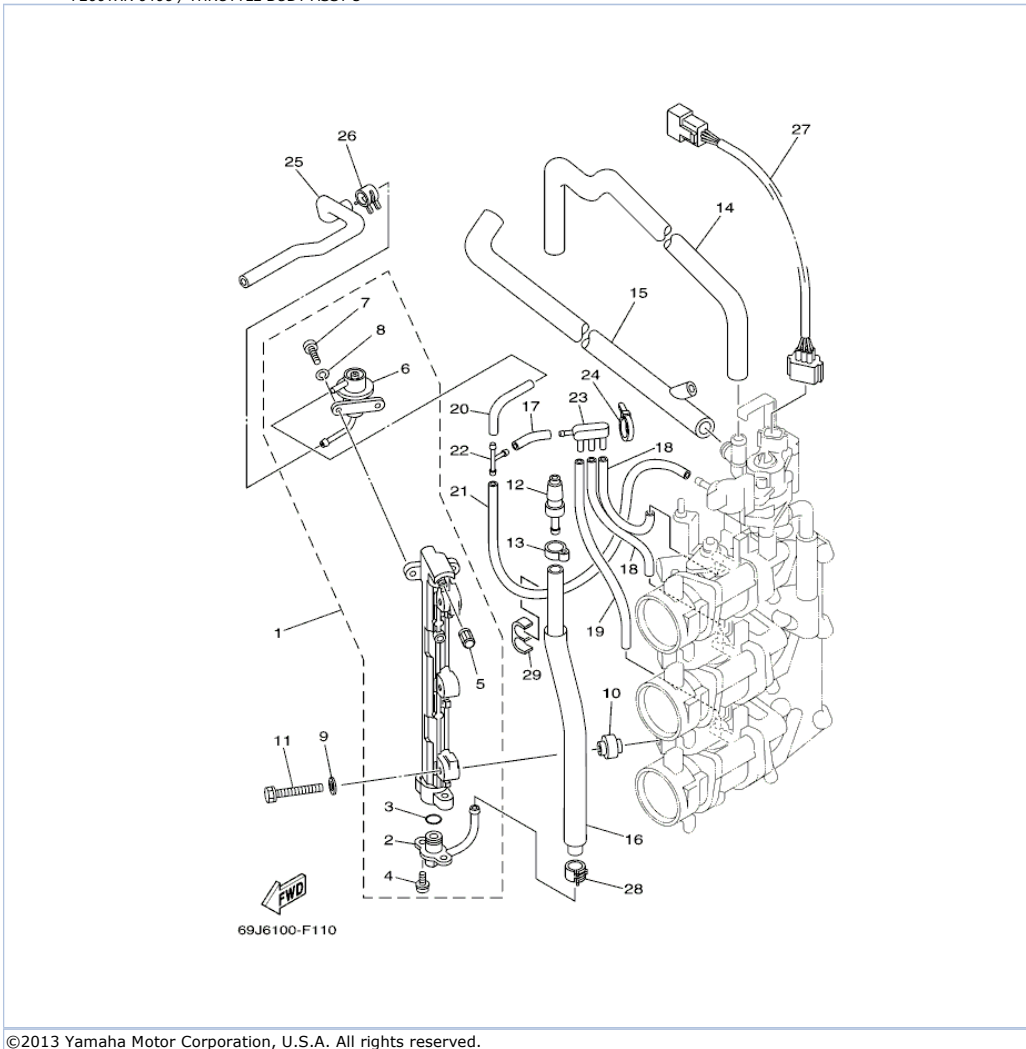
©2013 Yamaha Motor Corporation, U.S.A. All rights reserved.

Part List

F200TXR 0406 / THROTTLE BODY ASSY 2

REF - NO	PART NUMBER	PART NAME	QUANTITY	REMARKS
1	60L-1375A-11-00	THROTTLE BODY ASSY 2	1	F200/LF200
2	60L-13752-00-00	BODY, THROTTLE 2	1	F200/LF200
3	3CF-14594-00-00	.NUT	2	
4	92990-08100-00	.WASHER, SPRING	2	
5	68V-14323-00-00	.SCREW, AIR ADJUSTING	1	
6	68V-14331-00-00	.SPRING, THROTTLE VALVE	1	
7	60L-13754-00-00	BODY, THROTTLE 4	1	F200/LF200
8	3CF-14594-00-00	.NUT	1	
9	92990-08100-00	.WASHER, SPRING	1	
10	60L-13756-00-00	BODY, THROTTLE 6	1	F200/LF200
11	3CF-14594-00-00	.NUT	1	
12	92990-08100-00	.WASHER, SPRING	1	
13	68V-14331-00-00	.SPRING, THROTTLE VALVE	4	
14	68V-81147-00-00	SCREW 3	2	
15	69J-14960-00-00	BODY ASSY	1	
16	68V-13473-00-00	O-RING	1	
17	68V-1312A-00-00	VALVE, CONTROL	1	
18	68V-81146-01-00	SCREW 2	3	
19	68V-82380-00-00	SENSOR, PRESSURE	1	
20	69J-13642-00-00	MANIFOLD 2	1	
21	97095-06010-00	BOLT	3	
22	90430-06014-00	GASKET	3	
23	69J-13557-00-00	.GASKET	3	
24	99530-10114-00	PIN, DOWEL	6	
25	69J-14496-00-00	BOLT	6	
26	68V-14475-00-00	WASHER	6	
27	69J-13761-00-00	INJECTOR	3	
28	68V-1410B-00-00	.PACKING KIT	1	
29	68V-13766-00-00	RUBBER, INJECTOR	3	
30	69J-14321-00-00	.SCREW, THROTTLE	2	
31	69J-13573-00-00	BOLT 1	2	
32	69J-13574-00-00	BOLT 2	1	
33	69J-13547-00-00	HOSE 3	1	
34	69J-14159-00-00	CLIP	1	
35	69J-14255-00-00	PLATE	1	

F200TXR 0406 / THROTTLE BODY ASSY 3

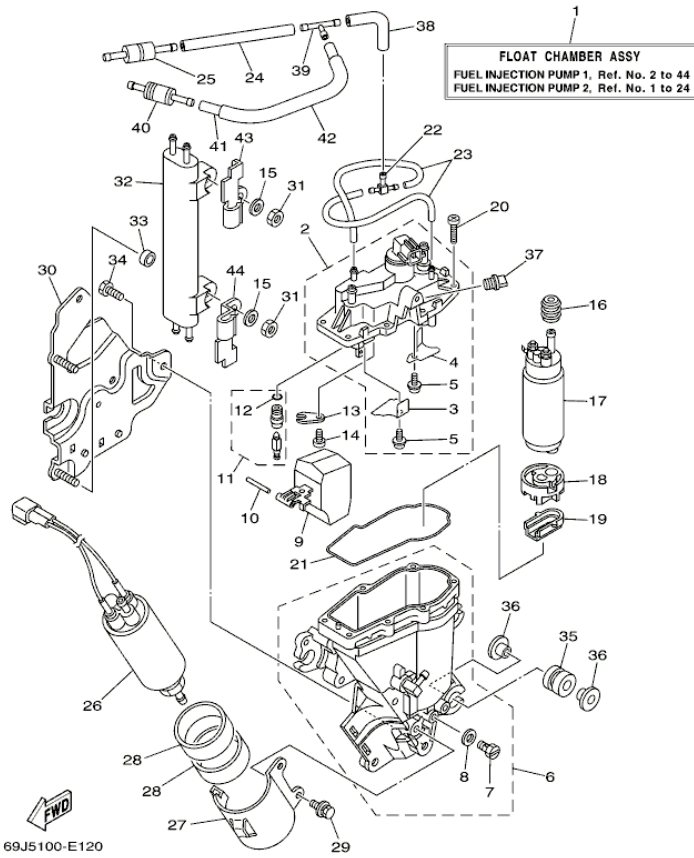


Part List

F200TXR 0406 / THROTTLE BODY ASSY 3

REF - NO	PART NUMBER	PART NAME	QUANTITY	REMARKS
1	69J-13170-00-00	DELIVERY PIPE ASSY 2	1	
2	69J-13435-00-00	.NIPPLE	1	
3	68V-14397-00-00	.O-RING	1	
4	68V-81147-00-00	.SCREW 3	2	
5	68V-14225-00-00	.CAP	1	
6	69J-13906-00-00	.REGULATOR, PRESSURE	1	
7	68V-14565-00-00	.SCREW	2	
8	68V-14356-00-00	.WASHER, SPRING	2	
9	68V-14475-00-00	WASHER	3	
10	68V-14264-00-00	COLLAR	3	
11	68V-14428-00-00	BOLT	3	
12	68F-24300-00-00	FUEL PIPE JOINT	1	
13	68V-24387-00-00	.CLIP	1	
14	69J-13546-00-00	HOSE 2	1	
15	60L-24317-00-00	PIPE 7	1	
16	69J-13974-00-00	PIPE, FUEL 4	1	
17	68V-13544-00-00	HOSE, VACUUM SENSING 2	1	
18	5JW-14349-00-00	.PIPE	2	
19	69J-13542-00-00	HOSE, VACUUM SENSING 1	1	
20	69J-13532-00-00	.HOSE, VACUUM SENSING 3	1	
21	69J-13533-01-00	HOSE, VACUUM SENSING 4	1	
22	68V-24377-00-00	PIPE, JOINT 2	1	
23	69J-13595-00-00	JOINT	1	
24	69J-14139-00-00	CLIP, PIPE	1	
25	69J-13975-00-00	PIPE, FUEL 5	1	
26	68V-24519-00-00	CLIP	1	
27	69J-8259L-00-00	WIRE HARNESS ASSY 1	1	
28	68V-13577-00-00	CLIP	1	
29	69J-2417H-00-00	CLAMP 1	1	

F200TXR 0406 / FUEL INJECTION PUMP 1



©2013 Yamaha Motor Corporation, U.S.A. All rights reserved.


Part List

F200TXR 0406 / FUEL INJECTION PUMP 1

REF - NO	PART NUMBER	PART NAME	QUANTITY	REMARKS
1	69J-14180-21-00	FLOAT CHAMBER ASSY	1	
2	69J-14182-10-00	COVER, FLOAT CHAMBER	1	
3	69J-2411R-00-00	.PLATE 1	1	
4	69J-2411T-00-00	.PLATE 2	1	
5	4SV-24453-00-00	.SCREW	2	
6	69J-14181-00-00	BODY, FLOAT CHAMBER 1	1	
7	266-14191-00-00	.PLUG, DRAIN	1	
8	59V-14962-00-00	.WASHER	1	
9	69J-14985-00-00	FLOAT	1	
10	68V-14386-00-00	.PIN, FLOAT	1	
11	69J-14546-00-00	VALVE, NEEDLE	1	
12	68V-13769-00-00	.O-RING	1	
13	68V-14255-00-00	PLATE	1	
14	98507-04008-00	..SCREW, PAN HEAD	1	
15	68V-14357-00-00	WASHER, PLAIN	2	
16	68V-13781-10-00	.DAMPER, PUMP	1	
17	69J-13907-03-00	FUEL PUMP COMP.	1	
18	68V-13915-00-00	FILTER	1	
19	68V-13784-00-00	COVER, PUMP	1	
20	68V-14567-00-00	SCREW	7	
21	68V-14984-00-00	GASKET, FLOAT CHAMBER	1	
22	69J-24379-00-00	.PIPE, JOINT 4	1	
23	69J-14148-00-00	PIPE	2	
24	69J-14197-10-00	PIPE	1	
25	69J-14989-00-00	ORIFICE, AIR VENT	1	
26	69J-24410-01-00	FUEL PUMP ASSY	1	
27	69J-24491-00-00	BRACKET, FUEL PUMP	1	
28	69J-24492-00-00	BUSH, FUEL PUMP	2	
29	69J-24592-00-00	BOLT	2	
30	69J-24422-10-00	PLATE	1	
31	69J-14164-00-00	NUT, HOLDING	2	
32	69J-21841-02-00	COOLER	1	
33	68V-14265-00-00	COLLAR	2	
34	69J-14446-00-00	BOLT	3	
35	69J-13593-00-00	DAMPER	4	
36	69J-13716-00-00	.COLLAR	8	
37	69J-14225-00-00	CAP	1	
38	60L-24321-00-00	PIPE 10	1	
39	60L-24379-00-00	PIPE, JOINT 4	1	
40	60L-24460-00-00	RELIEF VALVE ASSY	1	
41	60L-24316-00-00	PIPE 6	1	
42	60L-24327-00-00	PROTECTOR, PIPE	1	
43	69J-2481H-00-00	CLAMP	1	
44	69J-2481H-10-00	CLAMP	1	

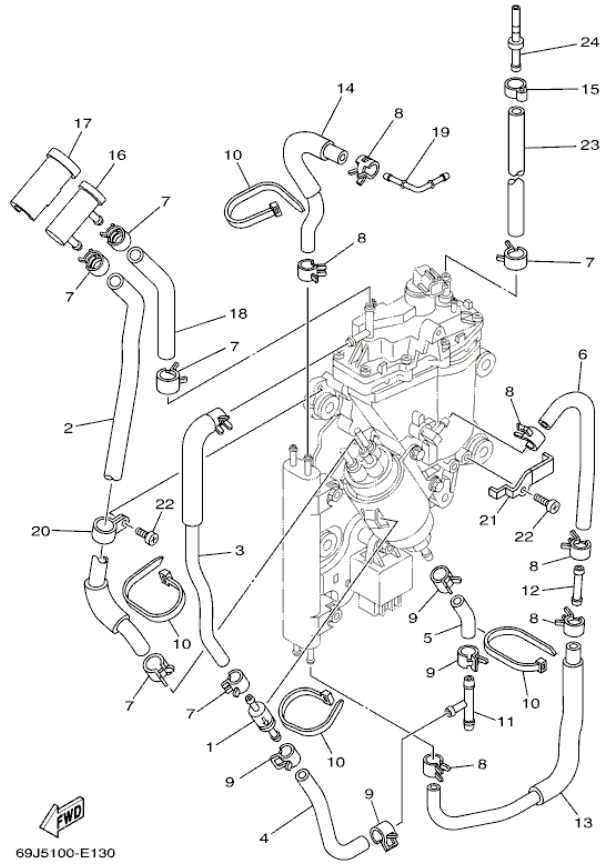
Part Notes

F200TXR 0406 / FUEL INJECTION PUMP 1

PART NUMBER	NOTE TEXT
68V-14984-00-00 	OEM: This part number is among the Top 100 Most Popular Marine Maintenance Parts as of August 2013.

©2013 Yamaha Motor Corporation, U.S.A. All rights reserved.

F200TXR 0406 / FUEL INJECTION PUMP 2



©2013 Yamaha Motor Corporation, U.S.A. All rights reserved.


Part List

F200TXR 0406 / FUEL INJECTION PUMP 2

REF - NO	PART NUMBER	PART NAME	QUANTITY	REMARKS
1	69J-24460-00-00	RELIEF VALVE ASSY	1	
2	69J-24324-30-00	PIPE 13	1	
3	69J-24322-10-00	PIPE 11	1	
4	69J-24323-00-00	PIPE 12	1	
5	69J-24317-00-00	PIPE 7	1	
6	69J-24316-00-00	PIPE 6	1	
7	68V-13577-00-00	CLIP	6	
8	68V-24519-00-00	CLIP	6	
9	69J-14137-00-00	CLIP	4	
10	68V-2481H-00-00	CLAMP	4	
11	6E5-24378-00-00	PIPE, JOINT 3	1	
12	69J-24461-00-00	PIPE, JOINT	1	
13	69J-24315-00-00	PIPE 5	1	
14	69J-13976-00-00	PIPE, FUEL 6	1	
15	68V-24387-00-00	.CLIP	1	
16	69J-24501-10-00	FILTER, FUEL	1	
17	69J-24599-10-00	CAP	1	
18	69J-24325-20-00	PIPE 14	1	
19	69J-1410F-00-00	NIPPLE 1	1	
20	69J-24366-00-00	CLAMP, FUEL PIPE 1	1	
21	69J-24367-00-00	CLAMP, FUEL PIPE 2	1	
22	98582-05008-00	SCREW, PAN HEAD	2	
23	69J-13974-00-00	PIPE, FUEL 4	1	
24	69J-24381-00-00	SET BAR, FUEL JOINT	1	

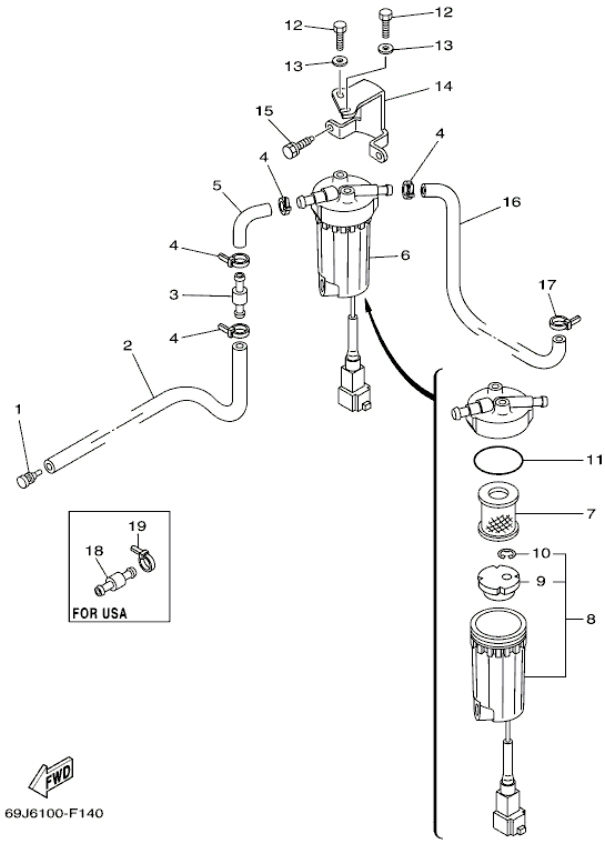
Part Notes

F200TXR 0406 / FUEL INJECTION PUMP 2

PART NUMBER	NOTE TEXT
69J-24501-10-00 	OEM: This part number is among the Top 100 Most Popular Marine Maintenance Parts as of August 2013.

©2013 Yamaha Motor Corporation, U.S.A. All rights reserved.

F200TXR 0406 / FUEL 1




69J6100-F140

©2013 Yamaha Motor Corporation, U.S.A. All rights reserved.


Part List

F200TXR 0406 / FUEL 1

REF - NO	PART NUMBER	PART NAME	QUANTITY	REMARKS
1	689-85547-00-00	DAMPER	1	
2	90445-13004-00	HOSE (L2360)	1	
3	6R3-24377-00-00	PIPE, JOINT 2	1	
4	90465-11M10-00	CLAMP	4	
5	61A-24311-00-00	PIPE, FUEL 1	1	
6	6P3-24560-00-00	FILTER ASSY	1	
7	6P3-WS24A-00-00	..ELEMENT, FILTER	1	
8	6P3-WS24B-00-00	..CUP, FILTER (WITH TAG)	1	
9	6P3-24469-00-00	..FLOAT, WATER LEVEL	1	
10	6P3-24519-00-00	..CLIP	1	
11	6P3-24564-00-00	..GASKET	1	
12	97095-06014-00	BOLT	2	
13	92995-06600-00	WASHER	2	
14	69J-24566-00-00	BRACKET, FILTER	1	
15	90119-06037-00	BOLT, WITH WASHER	2	
16	69J-24313-00-00	PIPE 3	1	
17	90465-11M10-00	CLAMP	1	
18	6R3-24377-10-00	PIPE, JOINT 2	1	
19	90465-11M10-00	CLAMP	1	

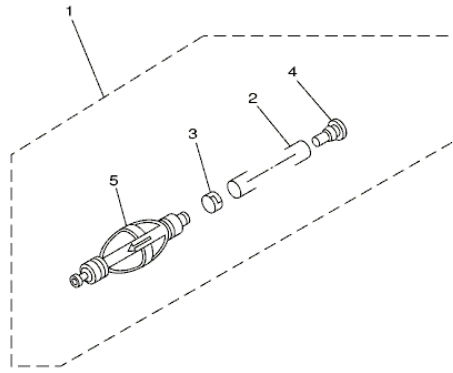
Part Notes

F200TXR 0406 / FUEL 1

PART NUMBER	NOTE TEXT
6P3-24564-00-00 	OEM: This part number is among the Top 100 Most Popular Marine Maintenance Parts as of August 2013.

©2013 Yamaha Motor Corporation, U.S.A. All rights reserved.

F200TXR 0406 / FUEL 2



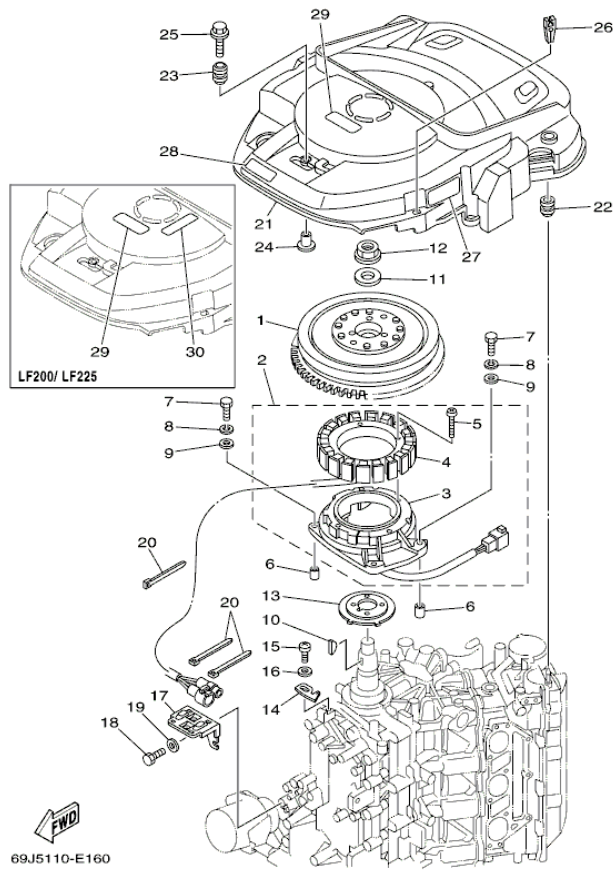
©2013 Yamaha Motor Corporation, U.S.A. All rights reserved.

Part List

F200TXR 0406 / FUEL 2

REF - NO	PART NUMBER	PART NAME	QUANTITY	REMARKS
1	6Y2-24307-50-00	FUEL PIPE COMP. 2	1	AP
2	90445-13M01-00	.HOSE (L2050)	1	
3	6E5-24351-51-00	.BAND 1	1	
4	90480-06M19-00	.GROMMET	1	
5	6Y2-24360-60-00	.PRIMER PUMP ASSY	1	

F200TXR 0406 / GENERATOR



©2013 Yamaha Motor Corporation, U.S.A. All rights reserved.


Part List

F200TXR 0406 / GENERATOR

REF - NO	PART NUMBER	PART NAME	QUANTITY	REMARKS
1	69J-81450-10-00	ROTOR ASSY	1	
2	69J-81460-01-00	BASE ASSY	1	
3	69J-85580-00-00	.COIL, PULSER	1	
4	69J-81410-10-00	.STATOR ASSY	1	
5	63D-81345-20-00	.SCREW, WITH WASHER (M6X30)	4	
6	99530-08012-00	PIN, DOWEL	2	
7	97095-06035-00	BOLT	4	
8	92995-06100-00	WASHER, SPRING	4	
9	92995-06600-00	WASHER	4	
10	90280-05015-00	KEY, WOODRUFF	1	
11	90201-24014-00	WASHER, PLATE	1	
12	90179-24002-00	NUT	1	
13	69J-81673-00-00	ROTOR	1	
14	6P2-81332-00-00	PLATE, TIMING	1	
15	97885-06010-00	SCREW, PAN HEAD	1	
16	92995-06600-00	WASHER	1	
17	69J-8132G-00-00	PLATE	1	
18	97095-06016-00	BOLT	1	
19	92995-06600-00	WASHER	1	
20	90465-14M66-00	CLAMP	3	
21	69J-81337-00-00	COVER, FLYWHEEL	1	
22	663-82317-01-00	DAMPER, IGNITION COIL	2	
23	6A0-82317-00-00	DAMPER, IGNITION COIL	3	
24	90387-06119-00	COLLAR	3	
25	90119-06M59-00	BOLT, WITH WASHER	3	
26	67F-2812A-00-00	.PULLER, FUSE	1	
27	69J-81919-20-00	GRAPHIC, REGULATOR	1	
28	60L-13437-41-00	MARK, CAUTION	1	
29	6A1-83625-41-00	MARK 5	1	
30	6K1-83623-41-00	MARK 3	1	LF200/LF225

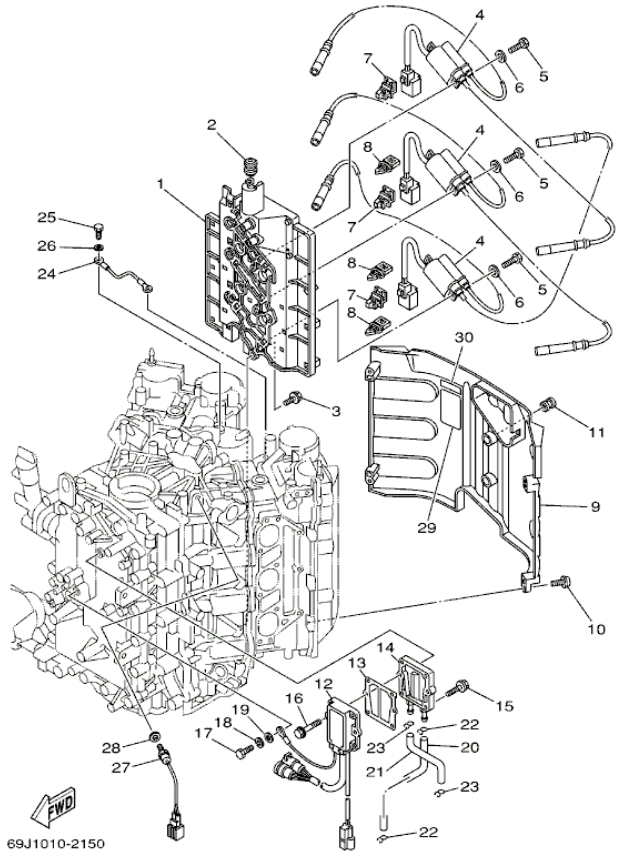
Part Notes

F200TXR 0406 / GENERATOR

PART NUMBER	NOTE TEXT
92995-06100-00 	OEM: This part number is among the Top 100 Most Popular Marine Maintenance Parts as of August 2013.

©2013 Yamaha Motor Corporation, U.S.A. All rights reserved.

F200TXR 0406 / ELECTRICAL 1



©2013 Yamaha Motor Corporation, U.S.A. All rights reserved.



Part List

F200TXR 0406 / ELECTRICAL 1

REF - NO	PART NUMBER	PART NAME	QUANTITY	REMARKS
1	69J-82316-00-00	BRACKET, IGNITION COIL	1	
2	90480-09M21-00	GROMMET	1	
3	90119-06M82-00	BOLT, WITH WASHER	6	
4	69J-82310-00-00	IGNITION COIL ASSY	3	
5	97095-06020-00	BOLT	6	
6	92995-06600-00	WASHER	6	
7	90464-12002-00	.CLAMP	3	
8	90464-07M56-00	CLAMP	3	
9	69J-82314-00-00	COVER, IGNITION COIL	1	
10	90110-06038-00	BOLT, HEXAGON SOCKET HEAD	4	
11	663-82317-01-00	DAMPER, IGNITION COIL	2	
12	69J-81960-11-00	RECTIFIER & REGULATOR ASSY	1	
13	69J-81975-A0-00	PLATE, RECTIFIER FITTING	1	
14	69J-81972-01-1S	COVER, RECTIFIER	1	
15	90119-06MA3-00	BOLT, WITH WASHER	4	
16	90119-06MA5-00	BOLT, WITH WASHER	2	
17	97095-06020-00	BOLT	1	
18	92995-06100-00	WASHER, SPRING	1	
19	92995-06600-00	WASHER	1	
20	69J-12482-00-00	PIPE 2	1	
21	69J-12481-00-00	PIPE 1	1	
22	90467-09M03-00	CLIP	2	
23	90467-08M18-00	CLIP	2	
24	69J-82519-00-00	WIRE, EARTH LEAD	1	
25	97095-06012-00	BOLT	2	
26	92995-06600-00	WASHER	2	
27	61A-85790-00-00	THERMOSENSOR ASSY	1	
28	92990-10600-00	WASHER, PLATE	1	
29	69J-83626-00-00	MARK 6	1	
30	67F-12138-40-00	MARK, CAUTION	1	

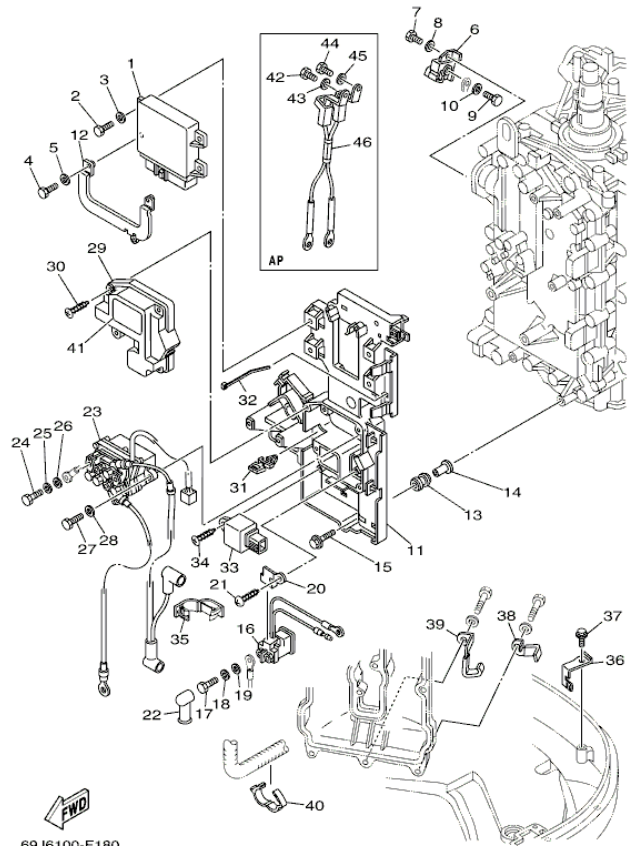
Part Notes

F200TXR 0406 / ELECTRICAL 1

PART NUMBER	NOTE TEXT
92995-06100-00 	OEM: This part number is among the Top 100 Most Popular Marine Maintenance Parts as of August 2013.
92990-10600-00 	OEM: This part number is among the Top 100 Most Popular Marine Maintenance Parts as of August 2013.

©2013 Yamaha Motor Corporation, U.S.A. All rights reserved.

F200TXR 0406 / ELECTRICAL 2



69J6100-F180

©2013 Yamaha Motor Corporation, U.S.A. All rights reserved.



Part List

F200TXR 0406 / ELECTRICAL 2

REF - NO	PART NUMBER	PART NAME	QUANTITY	REMARKS
1	60L-8591A-32-00	ENGINE CONTROL UNIT ASSY	1	F200/LF200
2	97095-06016-00	BOLT	2	
3	92995-06600-00	WASHER	2	
4	97095-06020-00	BOLT	2	
5	92995-06600-00	WASHER	2	
6	69J-81925-00-00	TERMINAL	1	
7	97095-08020-00	BOLT	1	
8	92995-08600-00	WASHER	1	
9	97095-06014-00	BOLT	1	
10	92995-06600-00	WASHER	1	
11	69J-81948-00-00	BRACKET	1	
12	69J-82588-00-00	PLATE	1	
13	6A0-82317-00-00	DAMPER, IGNITION COIL	6	
14	90387-06119-00	COLLAR	6	
15	90119-06M59-00	BOLT, WITH WASHER	6	
16	68V-8194A-00-00	RELAY	1	
17	97095-06010-00	BOLT	2	
18	92995-06100-00	WASHER, SPRING	2	
19	92995-06600-00	WASHER	2	
20	68V-81953-00-00	STAY, RELAY	1	
21	97780-60620-00	SCREW, TAPPING	1	
22	6G5-82119-00-00	COVER, LEAD WIRE	1	
23	69J-81950-11-00	RELAY ASSY	1	
24	97095-06010-00	BOLT	2	
25	92995-06100-00	WASHER, SPRING	2	
26	92995-06600-00	WASHER	2	
27	97013-06025-00	BOLT	2	
28	92903-06600-00	WASHER, PLATE	2	
29	69J-81942-00-00	COVER	1	
30	90169-05M00-00	SCREW, TRUSS HEAD TAPPING	4	
31	90464-07M56-00	CLAMP	2	
32	90465-14M66-00	CLAMP	6	
33	68V-81950-00-00	RELAY ASSY	1	
34	97780-60625-00	SCREW, TAPPING	1	
35	90464-18004-00	CLAMP	1	
36	69J-8366G-01-00	BRACKET 3	1	
37	90109-06M86-00	BOLT	1	
38	90465-08049-00	CLAMP	1	
39	90462-08024-00	CLAMP	1	
40	90464-18004-00	CLAMP	1	
41	69J-81919-00-00	GRAPHIC, REGULATOR	1	
42	97095-08020-00	BOLT	1	AP
43	92995-08600-00	WASHER	1	AP
44	97095-06014-00	BOLT	1	AP
45	92995-06600-00	WASHER	1	AP
46	69J-82105-00-00	WIRE HARNESS	1	AP

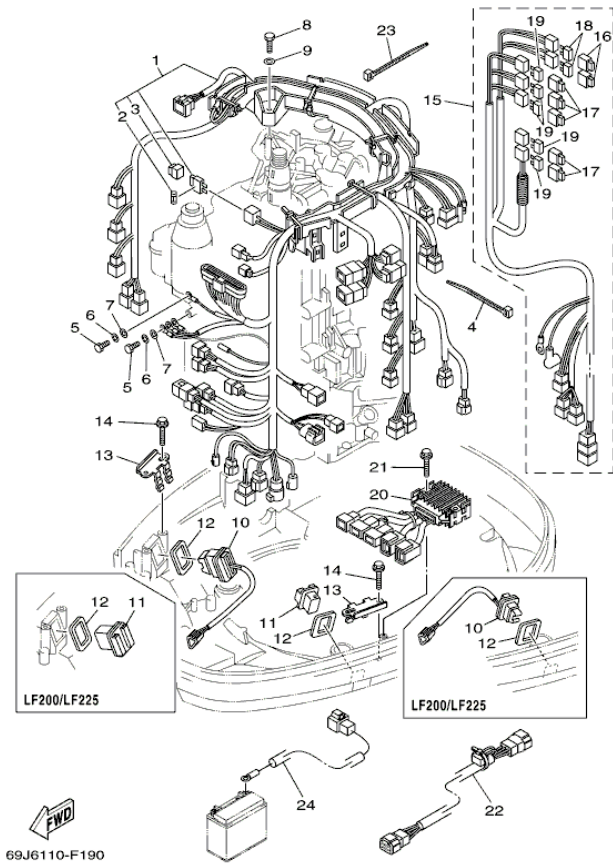
Part Notes

F200TXR 0406 / ELECTRICAL 2

PART NUMBER	NOTE TEXT
92995-06100-00 	OEM: This part number is among the Top 100 Most Popular Marine Maintenance Parts as of August 2013.
92995-06100-00 	OEM: This part number is among the Top 100 Most Popular Marine Maintenance Parts as of August 2013.

©2013 Yamaha Motor Corporation, U.S.A. All rights reserved.

F200TXR 0406 / ELECTRICAL 3



©2013 Yamaha Motor Corporation, U.S.A. All rights reserved.


Part List

F200TXR 0406 / ELECTRICAL 3

REF - NO	PART NUMBER	PART NAME	QUANTITY	REMARKS
1	69J-82590-60-00	WIRE HARNESS ASSY	1	
2	67F-82151-20-00	.FUSE (5A)	2	
3	69J-8215B-00-00	.CAP (BROWN)	1	
4	90465-14M66-00	CLAMP	1	
5	97095-06020-00	BOLT	2	
6	92995-06100-00	WASHER, SPRING	2	
7	92995-06600-00	WASHER	2	
8	97095-06035-00	BOLT	3	
9	92995-06600-00	WASHER	3	
10	69J-82563-00-00	TRIM & TILT SWITCH ASSY	1	
11	69J-42723-00-8D	COVER, BOTTOM	1	
12	69J-82587-00-00	GASKET	2	
13	69J-83614-10-00	BRACKET	2	
14	90109-06M86-00	BOLT	4	
15	69J-8259N-11-00	WIRE HARNESS ASSY 3	1	
16	67F-8215B-10-00	.CAP (YELLOW)	2	
17	67F-8215B-20-00	.CAP (GREEN)	5	
18	67F-82151-00-00	.FUSE (20A)	4	
19	67F-82151-10-00	.FUSE (30A)	10	
20	69J-83306-01-00	DRIVE UNIT ASSY	1	
21	90109-06M82-00	BOLT	2	
22	69J-81315-00-00	LEAD WIRE ASSY	1	
23	90465-14M66-00	CLAMP	1	
24	69J-81949-01-00	WIRE, LEAD (ISOLATOR CABLE)	1	AP

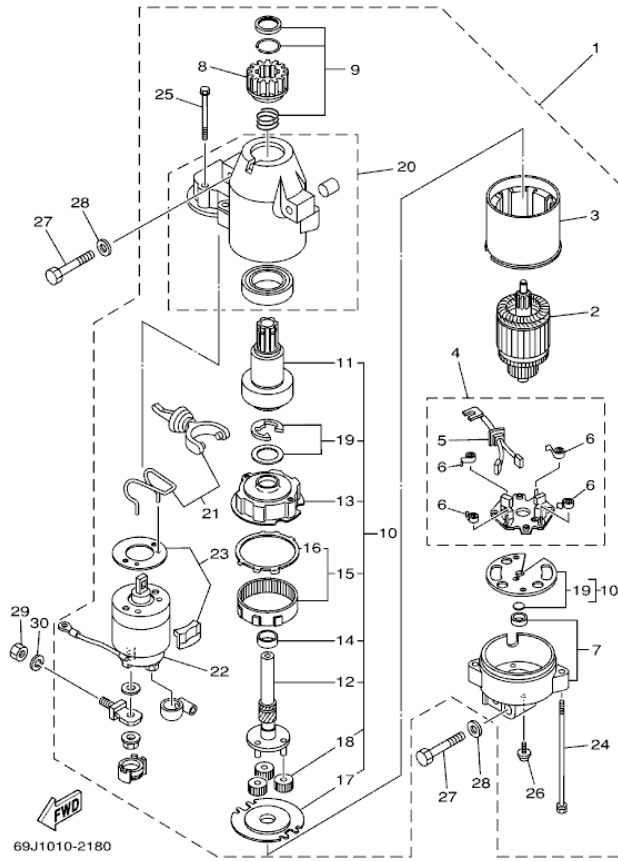
Part Notes

F200TXR 0406 / ELECTRICAL 3

PART NUMBER	NOTE TEXT
92995-06100-00 	OEM: This part number is among the Top 100 Most Popular Marine Maintenance Parts as of August 2013.

©2013 Yamaha Motor Corporation, U.S.A. All rights reserved.

F200TXR 0406 / STARTING MOTOR



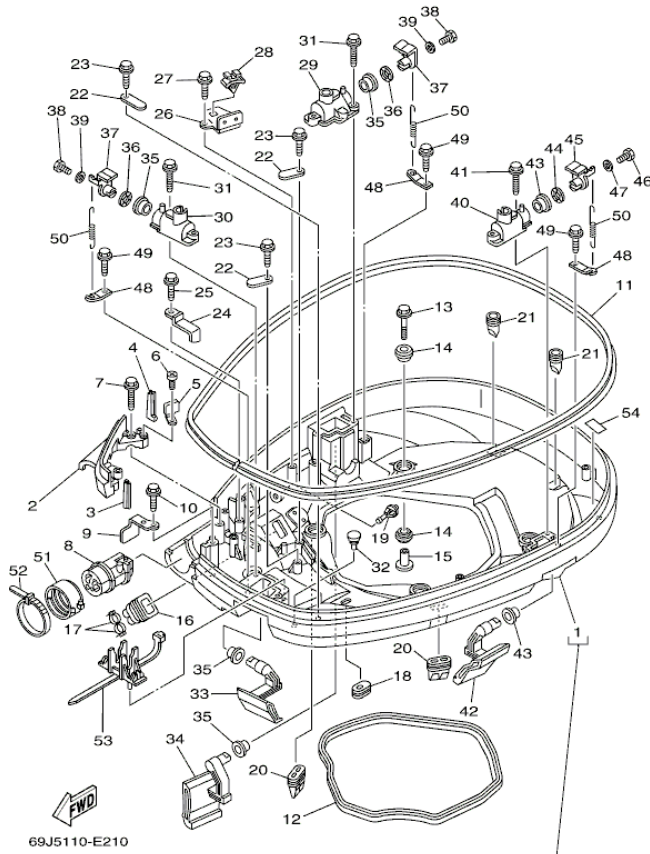
©2013 Yamaha Motor Corporation, U.S.A. All rights reserved.

Part List

F200TXR 0406 / STARTING MOTOR

REF - NO	PART NUMBER	PART NAME	QUANTITY	REMARKS
1	69J-81800-00-00	STARTING MOTOR ASSY	1	
2	67F-81850-00-00	.ARMATURE ASSY	1	
3	67F-81810-00-00	.STATOR ASSY	1	
4	69J-81840-00-00	.BRUSH HOLDER ASSY	1	
5	69J-81801-00-00	..BRUSH SET	1	
6	67F-81813-00-00	..SPRING, BRUSH	4	
7	68F-81820-00-00	.REAR BRACKET ASSY	1	
8	67F-81808-00-00	.PINION ASSY	1	
9	67F-81857-00-00	.PINION STOPPER SET	1	
10	67F-81807-00-00	.GEAR ASSY, STARTING MOTOR	1	
11	67F-81832-00-00	..CLUTCH, OVER RUN	1	
12	67F-81836-00-00	..SHAFT, PINION	1	
13	67F-81821-00-00	..BRACKET, CENTER 1	1	
14	67F-81841-00-00	..BEARING	1	
15	67F-81891-00-00	..GEAR, RING	1	
16	67F-8183R-00-00	...GASKET	1	
17	67F-81830-00-00	..BRACKET, CENTER 2	1	
18	60V-8183T-00-00	.GEAR, IDLER	3	
19	67F-81809-00-00	..WASHER KIT	1	
20	69J-81842-00-00	.COVER	1	
21	69J-81839-00-00	.LEVER ASSY	1	
22	69J-81941-00-00	.STARTER RELAY ASSY	1	
23	69J-81869-00-00	.COVER, DUST	1	
24	6K7-81826-10-00	.BOLT	2	
25	69J-81828-00-00	.SCREW 2	2	
26	67F-81846-00-00	.SCREW	2	
27	97013-08045-00	BOLT	3	
28	92903-08600-00	WASHER, PLATE	3	
29	95333-08600-00	NUT	1	
30	92903-08100-00	WASHER, SPRING	1	

F200TXR 0406 / BOTTOM COWLING 1



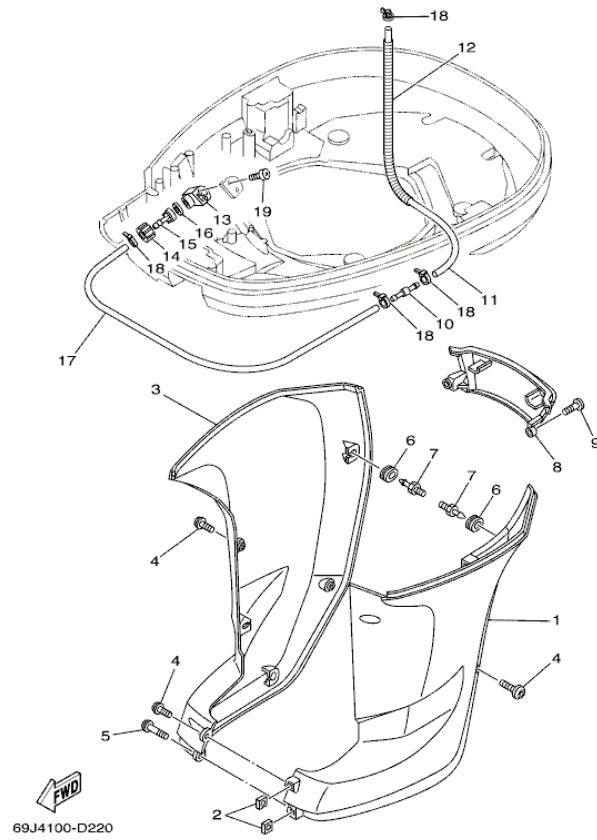
BOTTOM COWLING 1, Ref. No. 7, 10, 23, 25, 27, 31, 41, 49
ELECTRICAL 2, Ref. No. 37
ELECTRICAL 3, Ref. No. 14, 21
CONTROL 1, Ref. No. 2

Part List

F200TXR 0406 / BOTTOM COWLING 1

REF - NO	PART NUMBER	PART NAME	QUANTITY	REMARKS
1	69J-42710-02-8D	BOTTOM COWLING ASSY	1	
2	69J-42738-02-5B	PLATE, FITTING	1	
3	6P2-42717-00-00	RUBBER, SEAL 2	1	
4	6P2-42718-00-00	RUBBER, SEAL 3	1	
5	69J-42744-11-00	STAY	1	
6	97885-06010-00	SCREW, PAN HEAD	1	
7	90109-06M82-00	BOLT	2	
8	69J-42725-01-00	GROMMET	1	
9	64D-42738-10-5B	PLATE, FITTING	1	
10	90109-06M82-00	BOLT	1	
11	6P2-42615-00-00	SEAL	1	
12	69J-42716-00-00	RUBBER, SEAL 1	1	
13	90119-08M22-00	BOLT, WITH WASHER	4	
14	90480-22M81-00	GROMMET	8	
15	90387-08M37-00	COLLAR	4	
16	6H1-42726-21-00	GROMMET	1	
17	90465-11M10-00	CLAMP	2	
18	61A-42727-00-00	GROMMET	1	
19	6P2-44391-00-00	NIPPLE, HOSE	1	
20	69J-42717-00-00	RUBBER, SEAL 2	2	
21	61A-42717-00-00	RUBBER, SEAL 2	2	
22	6E5-82588-00-00	PLATE	3	
23	90109-06M81-00	BOLT	3	
24	90462-20001-00	CLAMP	1	
25	90109-06M86-00	BOLT	1	
26	69J-82554-01-00	STAY, NEUTRAL SWITCH	1	
27	90109-06M86-00	BOLT	1	
28	90464-09M47-00	CLAMP	1	
29	68F-42828-03-94	PLATE, CLAMP	1	
30	69J-42828-02-94	PLATE, CLAMP	1	
31	90109-06M82-00	BOLT	4	
32	6H4-42748-00-00	GROMMET	2	
33	69J-42815-00-8D	LEVER, CLAMP	1	
34	69J-42817-00-8D	LEVER, CLAMP	1	
35	90386-15M73-00	BUSH	4	
36	90206-15M18-00	WASHER, WAVE	2	
37	68F-42818-01-00	LEVER, CLAMP	2	
38	97095-06020-00	BOLT	2	
39	90201-06068-00	WASHER, PLATE	2	
40	69J-42828-10-94	PLATE, CLAMP	1	
41	90109-06M82-00	BOLT	2	
42	69J-42816-00-8D	LEVER, CLAMP	1	
43	90386-15M73-00	BUSH	2	
44	90206-15M18-00	WASHER, WAVE	1	
45	6D8-42818-00-00	LEVER, CLAMP	1	
46	97095-06020-00	BOLT	1	
47	90201-06068-00	WASHER, PLATE	1	
48	64D-43144-00-00	HOOK, SPRING	3	
49	90109-06M86-00	BOLT	3	
50	90506-16M34-00	SPRING, TENSION	3	
51	68F-42753-00-00	FASTNER	1	AP
52	90464-20258-00	CLAMP	1	AP
53	68V-82594-00-00	CLAMP	1	
54	67F-82377-00-00	LABEL	1	

F200TXR 0406 / BOTTOM COWLING 2



©2013 Yamaha Motor Corporation, U.S.A. All rights reserved.


Part List

F200TXR 0406 / BOTTOM COWLING 2

REF - NO	PART NUMBER	PART NAME	QUANTITY	REMARKS
1	69J-42741-00-8D	APRON	1	
2	90173-06001-00	NUT, SQUARE	2	
3	69J-42771-00-8D	APRON	1	
4	90111-06025-00	BOLT,HEX. SOCKET BUTTON	5	
5	90111-06026-00	BOLT,HEX. SOCKET BUTTON	1	
6	90480-14M17-00	GROMMET	6	
7	69J-42774-00-00	STAY, APRON 1	6	
8	69J-45151-00-8D	COVER, UPPER CASING	1	
9	90111-06025-00	BOLT,HEX. SOCKET BUTTON	2	
10	6E5-24379-00-00	PIPE, JOINT 4	1	
11	90445-11012-00	HOSE (L600)	1	
12	90447-13009-00	TUBE	1	
13	68T-12572-00-00	ADAPTER	1	
14	6R3-12581-00-00	JOINT, HOSE 1	1	
15	6R3-12582-00-00	JOINT, HOSE 2	1	
16	6R3-12583-00-00	GASKET, HOSE JOINT	1	
17	90445-11028-00	HOSE (L1050)	1	
18	90465-11M10-00	CLAMP	4	
19	97780-60520-00	SCREW, TAPPING	2	

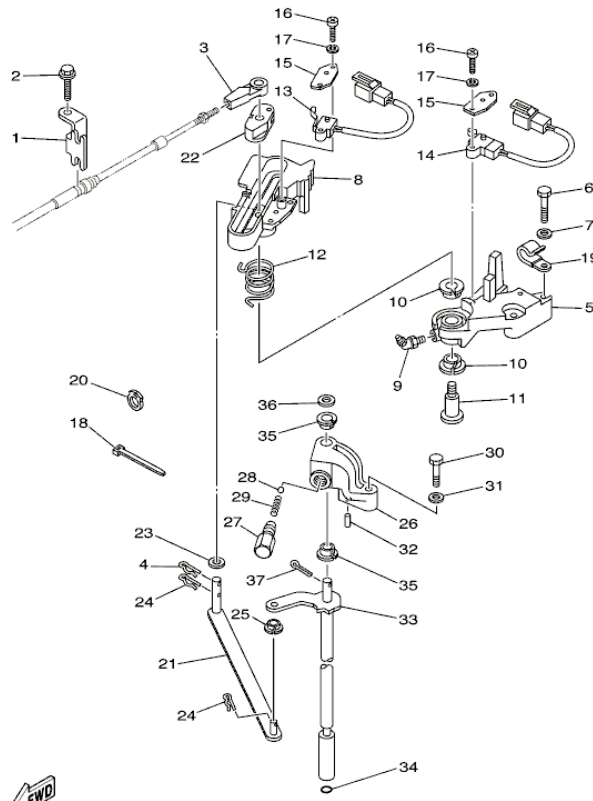
Part Notes

F200TXR 0406 / BOTTOM COWLING 2

PART NUMBER	NOTE TEXT
90173-06001-00 	OEM: This part number is among the Top 100 Most Popular Marine Maintenance Parts as of August 2013.

©2013 Yamaha Motor Corporation, U.S.A. All rights reserved.

F200TXR 0406 / CONTROL 1



69J3100-C230

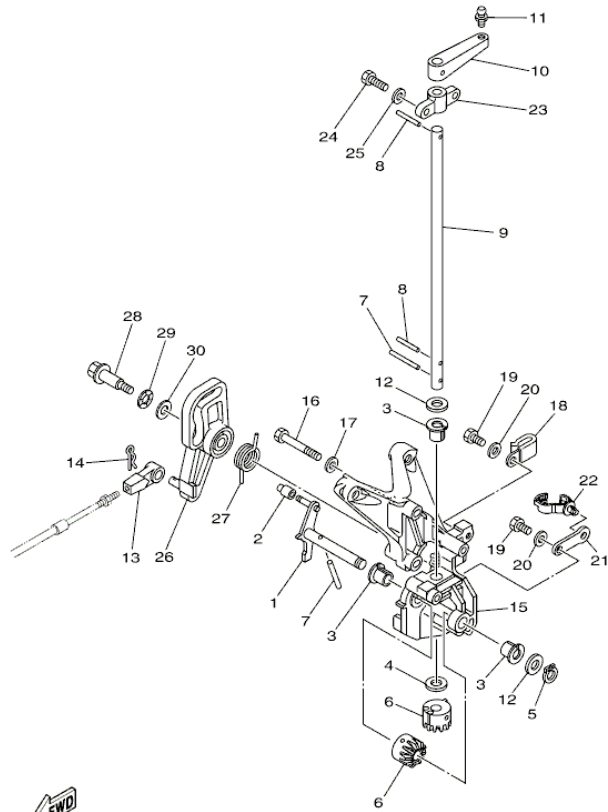
©2013 Yamaha Motor Corporation, U.S.A. All rights reserved.

Part List

F200TXR 0406 / CONTROL 1

REF - NO	PART NUMBER	PART NAME	QUANTITY	REMARKS
1	69J-48531-00-00	BRACKET, REMOTE CONTROL 1	1	
2	90109-06M86-00	BOLT	1	
3	6E5-48344-00-00	CABLE END, REMOTE CONTROL	1	
4	90468-18008-00	CLIP	1	
5	69J-44117-00-1S	BRACKET	1	
6	97095-06035-00	BOLT	2	
7	92995-06600-00	WASHER	2	
8	69J-44176-01-1S	BRACKET	1	
9	93700-06M01-00	NIPPLE, GREASE	1	
10	90386-12069-00	BUSH	2	
11	90109-08019-00	BOLT	1	
12	90508-20020-00	SPRING, TORSION	1	
13	60V-8259F-00-00	SWITCH ASSY	1	
14	69J-8259F-00-00	SWITCH ASSY	1	
15	61A-82588-01-00	PLATE	2	
16	97885-04016-00	SCREW, PAN HEAD	4	
17	92995-04100-00	WASHER	4	
18	90465-11M10-00	CLAMP	1	
19	90465-06M86-00	CLAMP	1	
20	90464-09010-00	CLAMP	1	
21	6P2-44121-00-00	LEVER, SHIFT ROD	1	
22	69J-44122-00-00	BUSHING, SHIFT ROD LEVER	1	
23	90202-08M20-00	WASHER, PLATE	1	
24	90468-18008-00	CLIP	2	
25	90386-06M12-00	BUSH	1	
26	69J-44118-00-00	BRACKET	1	
27	648-42715-00-00	BUSHING	1	
28	93501-04M02-00	BALL	1	
29	90501-12082-00	SPRING, COMPRESSION	1	
30	97075-06030-00	BOLT	1	
31	92995-06600-00	WASHER	1	
32	91690-30010-00	PIN, SPRING	1	
33	69J-44120-00-00	HANDLE GEAR SHIFT ASSY	1	X (25.3")
34	93210-09165-00	O-RING	1	
35	90386-90M90-00	BUSH	2	
36	90201-09M02-00	WASHER, PLATE	1	
37	91490-20015-00	PIN. COTTER	1	

F200TXR 0406 / CONTROL 2



69J5100-E240

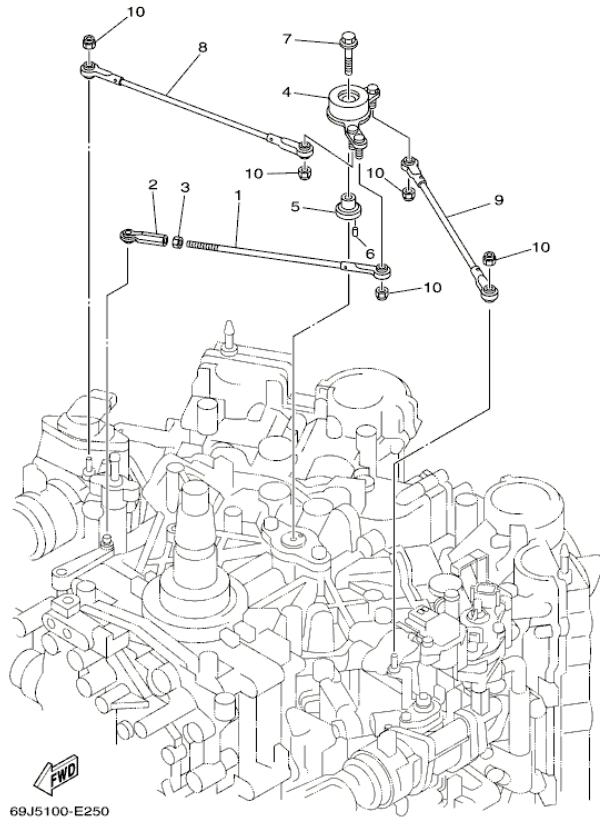
©2013 Yamaha Motor Corporation, U.S.A. All rights reserved.

Part List

F200TXR 0406 / CONTROL 2

REF - NO	PART NUMBER	PART NAME	QUANTITY	REMARKS
1	69J-42154-00-00	LEVER, THROTTLE CONTROL	1	
2	68V-42171-00-00	BUSHING	1	
3	90386-10001-00	BUSH	3	
4	90202-10002-00	WASHER, PLATE	1	
5	93410-10082-00	CIRCLIP	1	
6	69J-42152-00-94	GEAR	2	
7	91690-30025-00	PIN, SPRING	2	
8	91690-30018-00	PIN, SPRING	2	
9	69J-42153-00-00	SHAFT, THROTTLE CONTROL	1	
10	69J-41632-00-94	LEVER, MAGNETO CONTROL	1	
11	663-85518-00-00	JOINT, BALL	1	
12	90201-10M02-00	WASHER, PLATE	2	
13	6E5-48344-00-00	CABLE END, REMOTE CONTROL	1	
14	90468-18008-00	CLIP	1	
15	69J-41661-00-94	BRACKET 1	1	
16	97095-06045-00	.BOLT	5	
17	92995-06600-00	WASHER	5	
18	90465-06M86-00	CLAMP	1	
19	97095-06014-00	BOLT	2	
20	92995-06600-00	WASHER	2	
21	69J-82581-00-00	STAY, CORD CLAMP	1	
22	90464-13249-00	CLAMP	1	
23	676-41662-00-00	BRACKET 2	1	
24	97095-06020-00	BOLT	2	
25	92995-06600-00	WASHER	2	
26	69J-41213-00-00	CAM, ACCEL.	1	
27	69J-44135-00-00	SPRING	1	
28	90109-06040-00	BOLT	1	
29	90206-10M04-00	WASHER, WAVE	1	
30	90201-10M02-00	WASHER, PLATE	1	

F200TXR 0406 / CONTROL 3



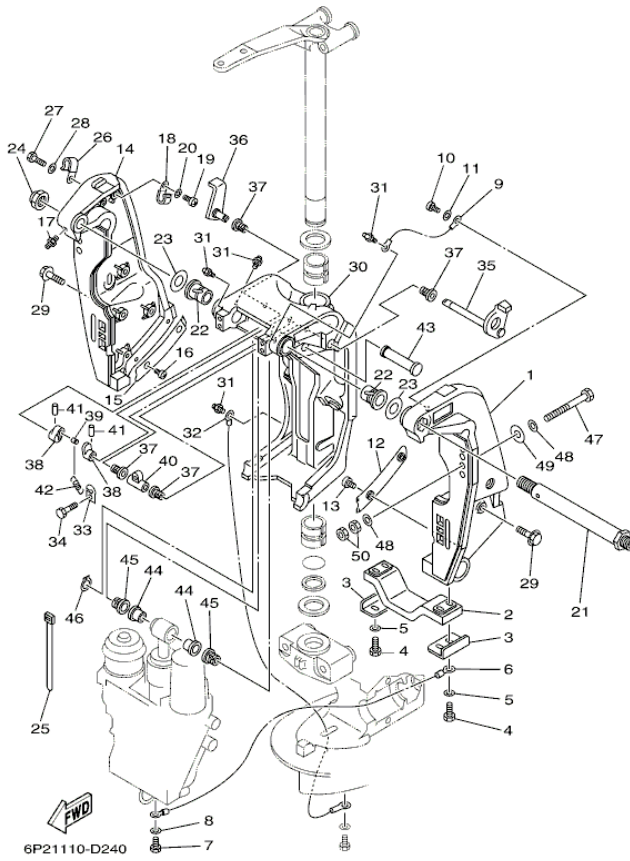
©2013 Yamaha Motor Corporation, U.S.A. All rights reserved.

Part List

F200TXR 0406 / CONTROL 3

REF - NO	PART NUMBER	PART NAME	QUANTITY	REMARKS
1	69J-41241-01-00	ROD, LINK	1	
2	682-41237-00-00	JOINT, LINK	1	
3	95380-05600-00	NUT	1	
4	69J-41210-00-00	ACCEL. ARM ASSY	1	
5	69J-41635-00-00	SHAFT, LINK CONNECTING	1	
6	91690-30008-00	.PIN, SPRING	1	
7	90119-06M65-00	BOLT, WITH WASHER	1	
8	69J-41211-01-00	LINK, ACCEL.	1	
9	69J-41636-01-00	ROD, MAGNETO CONTROL	1	
10	95680-05100-00	NUT, U	5	

F200TXR 0406 / BRACKET 1



©2013 Yamaha Motor Corporation, U.S.A. All rights reserved.




Part List

F200TXR 0406 / BRACKET 1

REF - NO	PART NUMBER	PART NAME	QUANTITY	REMARKS
1	69J-43111-01-8D	BRACKET, CLAMP 1	1	
2	6G5-45251-02-00	ANODE	1	
3	6G5-44526-00-00	PLATE	2	
4	97095-06025-00	BOLT	4	
5	92995-06600-00	WASHER	4	
6	6H1-82148-00-00	WIRE, LEAD 4	1	
7	97095-06010-00	BOLT	1	
8	92995-06600-00	WASHER	1	
9	6E5-82148-00-00	WIRE, LEAD 4	1	
10	97885-06012-00	SCREW, PAN HEAD	1	
11	92995-06600-00	WASHER	1	
12	61A-43132-00-00	WASHER, FRICTION	1	
13	97885-06010-00	SCREW, PAN HEAD	2	
14	69J-43112-01-8D	BRACKET, CLAMP 2	1	
15	61A-43133-00-00	WASHER,FRICTION	1	
16	97885-06010-00	SCREW, PAN HEAD	2	
17	93700-06M03-00	NIPPLE, GREASE	1	
18	90465-08M83-00	CLAMP	1	
19	97885-06012-00	SCREW, PAN HEAD	1	
20	92995-06600-00	WASHER	1	
21	6R3-43131-00-00	BOLT, CLAMP BRACKET	1	
22	90386-25M31-00	BUSH	2	
23	90201-26M59-00	WASHER, PLATE	2	
24	90185-22M11-00	NUT, SELF-LOCKING	1	
25	90465-11M10-00	CLAMP	4	
26	90465-08M83-00	CLAMP	1	
27	97095-06014-00	BOLT	1	
28	92995-06600-00	WASHER	1	
29	90119-10024-00	BOLT, WITH WASHER	8	
30	61A-43311-21-8D	BRACKET, SWIVEL 1	1	
31	93700-06M03-00	NIPPLE, GREASE	5	
32	69J-82147-00-00	WIRE, LEAD 5	1	
33	6G5-43144-00-00	HOOK, SPRING	1	
34	97095-06010-00	BOLT	1	
35	61A-43181-01-00	LEVER, TILT STOP 1	1	
36	6G5-43185-02-00	LEVER, TILT STOP 2	1	
37	90386-10M16-00	BUSH	4	
38	6G5-43148-00-00	COLLAR, DISTANCE	2	
39	90249-06M19-00	PIN	1	
40	90387-10M02-00	COLLAR	1	
41	91690-30020-00	PIN, SPRING	2	
42	90506-16003-00	SPRING, TENSION	1	
43	6E5-43126-02-00	PIN, UPPER SHOCK MOUNT	1	
44	90386-18M63-00	BUSH	2	
45	90386-18M14-00	BUSH	2	
46	93410-18M02-00	CIRCLIP	1	
47	90101-12M77-00	BOLT (L:150MM)	2	UR
47	90101-12M05-00	BOLT (L:130MM)	4	UR
48	90201-13M01-00	WASHER, PLATE	8	
49	90201-12M05-00	WASHER, PLATE	4	
50	95380-12600-00	NUT	8	

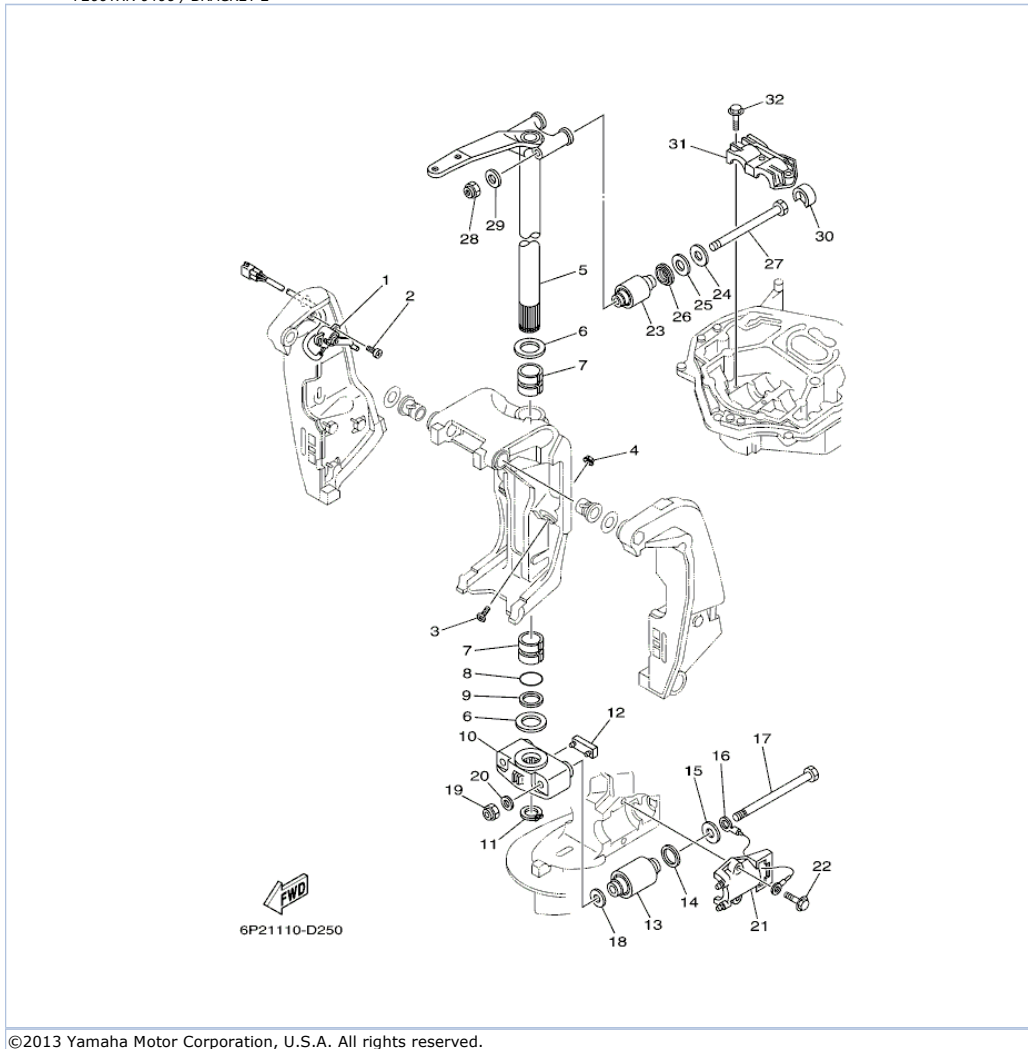
Part Notes

F200TXR 0406 / BRACKET 1

PART NUMBER	NOTE TEXT
6G5-45251-02-00 	OEM: This part number is among the Top 100 Most Popular Marine Maintenance Parts as of August 2013.
93700-06M03-00 	OEM: This part number is among the Top 100 Most Popular Marine Maintenance Parts as of August 2013.
93700-06M03-00 	OEM: This part number is among the Top 100 Most Popular Marine Maintenance Parts as of August 2013.

©2013 Yamaha Motor Corporation, U.S.A. All rights reserved.

F200TXR 0406 / BRACKET 2



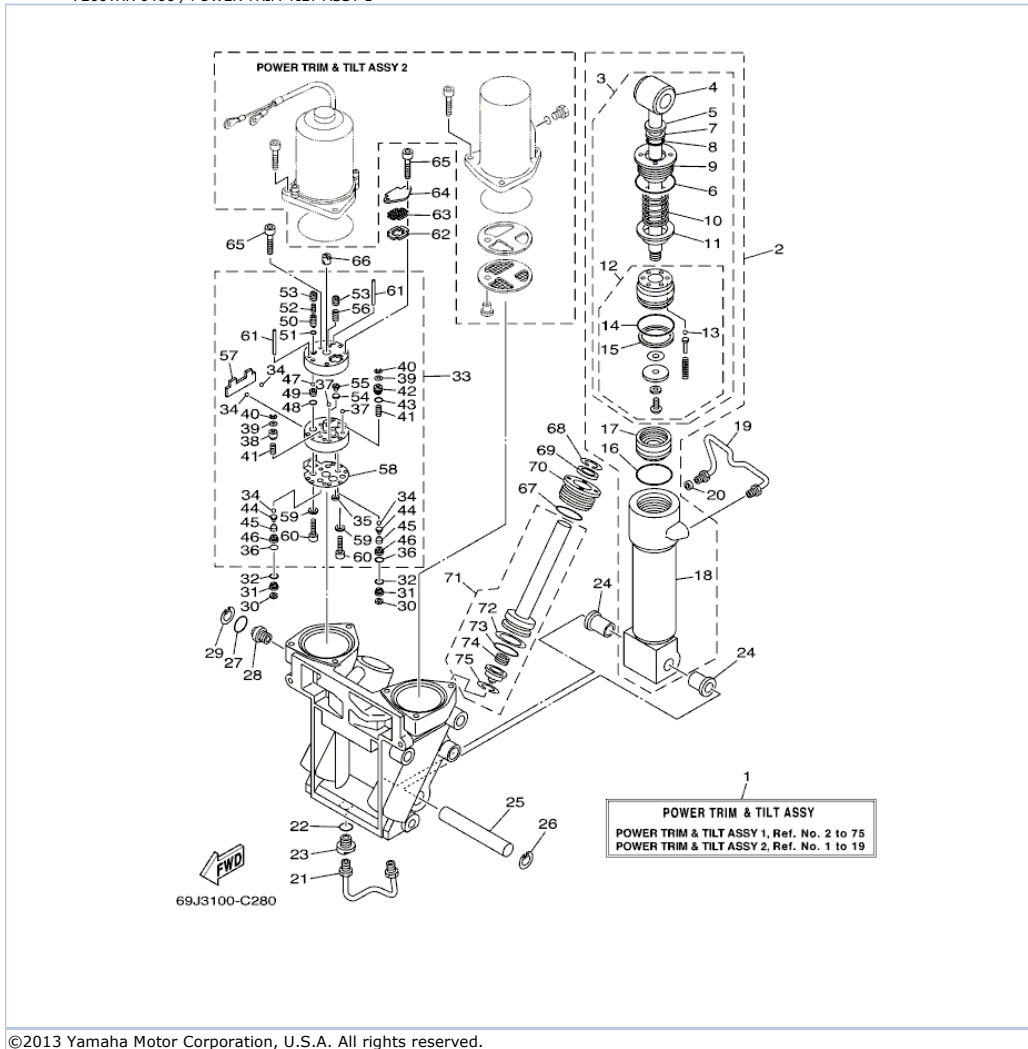
©2013 Yamaha Motor Corporation, U.S.A. All rights reserved.

Part List

F200TXR 0406 / BRACKET 2

REF - NO	PART NUMBER	PART NAME	QUANTITY	REMARKS
1	69J-83672-10-00	TRIM SENDER	1	
2	97885-06016-00	SCREW, PAN HEAD	2	
3	61A-43376-00-00	BOLT, THRUST RECEIVER	2	
4	95780-10300-00	NUT, FLANGE	2	
5	69J-42510-00-8D	STEERING BRACKET ASSY	1	
6	90201-40M00-00	WASHER, PLATE	2	
7	90386-39M89-00	BUSH	2	
8	93210-35321-00	O-RING	1	
9	90202-40M47-00	WASHER, PLATE	1	
10	69J-44551-00-8D	HOUSING, LOWER MOUNT RUBBER 1	1	
11	93410-37M04-00	CIRCLIP	1	
12	61A-44575-00-00	DAMPER, LOWER MOUNT RUBBER	1	
13	66K-44555-00-94	MOUNT DAMPER, LOWER SIDE	2	
14	90202-32M19-00	WASHER, PLATE	2	
15	90201-16016-00	WASHER, PLATE	2	
16	6E5-82149-00-00	WIRE, LEAD 3	1	
17	90101-14002-00	BOLT	2	
18	90201-15M58-00	WASHER, PLATE	2	
19	90185-14M00-00	NUT, SELF-LOCKING	2	
20	92995-14600-00	WASHER	2	
21	61A-44552-01-94	HOUSING, LOWER MOUNT RUBBER	2	
22	90119-10024-00	BOLT, WITH WASHER	4	
23	69J-44514-00-94	MOUNT DAMPER, UPPER SIDE	2	
24	90201-16015-00	WASHER, PLATE	2	
25	90202-28M46-00	WASHER, PLATE	2	
26	69J-44532-00-00	STOPPER, UPPER MOUNT	2	
27	90101-14003-00	BOLT	2	
28	90185-14M00-00	NUT, SELF-LOCKING	2	
29	92995-14600-00	WASHER	2	
30	69J-44533-00-00	DAMPER, UPPER MOUNT RUBBER	2	
31	61A-44511-00-94	COVER, UPPER MOUNT	1	
32	90119-10024-00	BOLT, WITH WASHER	3	

F200TXR 0406 / POWER TRIM TILT ASSY 1



Part List



F200TXR 0406 / POWER TRIM TILT ASSY 1

REF - NO	PART NUMBER	PART NAME	QUANTITY	REMARKS
1	69J-43800-01-4D	POWER TRIM & TILT ASSY	1	
2	69J-43840-01-00	POWER TILT ASSY	1	
3	69J-43810-01-00	.TILT PISTON SUB ASSY	1	
4	69J-43801-00-00	..ROD	1	
5	93106-19N50-00	..OIL SEAL	1	
6	6H1-43861-00-00	..O-RING	1	
7	6H1-43872-00-00	..RING, BACK UP	1	
8	61A-4389H-00-00	..O-RING	1	
9	61A-43811-00-00	..SCREW, CYLINDER END	1	
10	69J-4384H-00-00	..SPRING	1	
11	69J-4382E-00-00	..ADAPTOR 2	1	
12	69J-4380P-01-00	..PISTON SUB ASSY	1	
13	93505-32038-00	...BALL	5	
14	61A-43861-00-00	...O-RING	1	
15	61A-43871-00-00	...RING, BACK UP	1	
16	61A-43861-00-00	.O-RING	1	
17	6H1-43814-00-00	.PISTON, FREE	1	
18	61A-43813-01-00	.CYLINDER, TILT	1	
19	61A-43835-01-00	PIPE	1	
20	69J-4388J-00-00	PLUG 2	1	
21	69J-43833-00-00	PIPE	1	
22	93210-17239-00	O-RING	1	
23	69J-4388E-00-00	BOLT ,SCREW	1	
24	90386-18M14-00	BUSH	2	
25	61A-43818-00-00	PIN, LOWER SHOCK MOUNT	1	
26	61A-43876-00-00	RING, SNAP	1	
27	93210-18397-00	O-RING	1	
28	69J-43845-00-00	SCREW, MANUAL RELEASE	1	
29	6H1-43875-00-00	RING, SNAP	1	
30	69J-4381C-00-00	.FILTER 3	2	
31	69J-43899-00-00	PLATE STOPPER	2	
32	69J-4389J-00-00	.O-RING	2	
33	69J-43830-01-00	GEAR PUMP ASSY	1	
34	93505-32038-00	.BALL	4	
35	69J-4381C-00-00	.FILTER 3	1	
36	69J-4389J-00-00	.O-RING	2	
37	93503-16003-00	.BALL	2	
38	69J-4384M-00-00	.PISTON, SHUTTLE 2	1	
39	69A-4384F-00-00	.SEAL, MAIN VALVE	2	
40	99002-03600-00	.CLIP	2	
41	69J-43894-00-00	.SPRING, SHUTTLE RETURN	2	
42	69J-43841-00-00	.PISTON, SHUTTLE	1	
43	6H1-43883-00-00	.O-RING	1	
44	60V-4386A-00-00	.PIN, ABSORBER VALVE	2	
45	69J-43853-00-00	.SPRING, MAIN VALVE	2	
46	69J-43893-00-00	.WASHER	2	
47	93501-08001-00	.BALL	2	
48	93210-08391-00	.O-RING	1	
49	69J-43851-00-00	.SEAT, RELIEF VALVE	1	
50	69J-43844-00-00	.PIN, VALVE SUPPORT	1	
51	93210-064A5-00	.O-RING	1	
52	69J-43855-00-00	.SPRING, UP RELIEF	1	
53	69J-43843-00-00	.SCREW, VALVE LOCK	2	
54	6H1-4384G-11-00	.SEAL, RELIEF VALVE	1	
55	6H1-43844-10-00	.PIN, VALVE SUPPORT	1	
56	6H1-43856-10-00	.SPRING, DOWN RELIEF	1	
57	69J-43854-00-00	.SPRING, MANUAL RELEASE	1	
58	69J-4384G-00-00	.SEAL, RELIEF VALVE	1	
59	CS3-4387G-00-00	.WASHER	2	
60	91318-05025-00	.BOLT	2	
61	93604-35236-00	.PIN, DOWEL	2	
62	69J-43871-00-00	RING, BACK UP	1	
63	69J-43816-00-00	FILTER 1	1	
64	69J-4381J-00-00	PLATE	1	
65	91318-05040-00	BOLT	3	
66	69J-43831-00-00	CONNECTOR, SHAFT	1	

67	61A-43861-00-00	O-RING	2	
68	6T4-43875-01-00	RING, SNAP	2	
69	61A-43822-00-00	SEAL, TRIM DUST	2	
70	61A-43821-00-00	SCREW, TRIM CYLINDER END	2	
71	69J-43820-00-00	TRIM PISTON SUB ASSY	2	
72	61A-43874-00-00	.RING, BACK UP	1	
73	61A-43864-00-00	.O-RING	1	
74	61A-4384H-10-00	.SPRING	1	
75	61A-43875-10-00	.RING, SNAP	1	

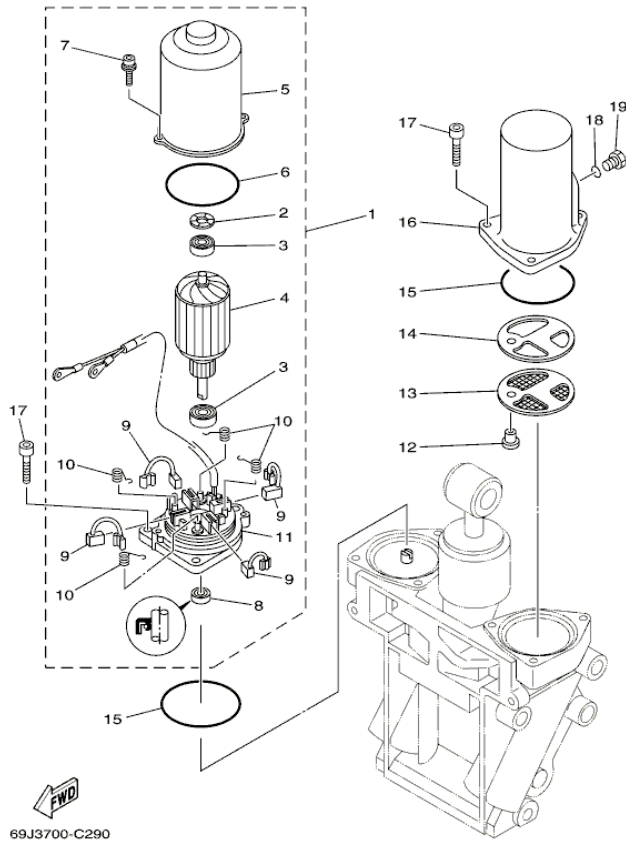
Part Notes

F200TXR 0406 / POWER TRIM TILT ASSY 1

PART NUMBER		NOTE TEXT
6T4-43875-01-00		OEM: This part number is among the Top 100 Most Popular Marine Maintenance Parts as of August 2013.
61A-43822-00-00		OEM: This part number is among the Top 100 Most Popular Marine Maintenance Parts as of August 2013.

©2013 Yamaha Motor Corporation, U.S.A. All rights reserved.

F200TXR 0406 / POWER TRIM TILT ASSY 2



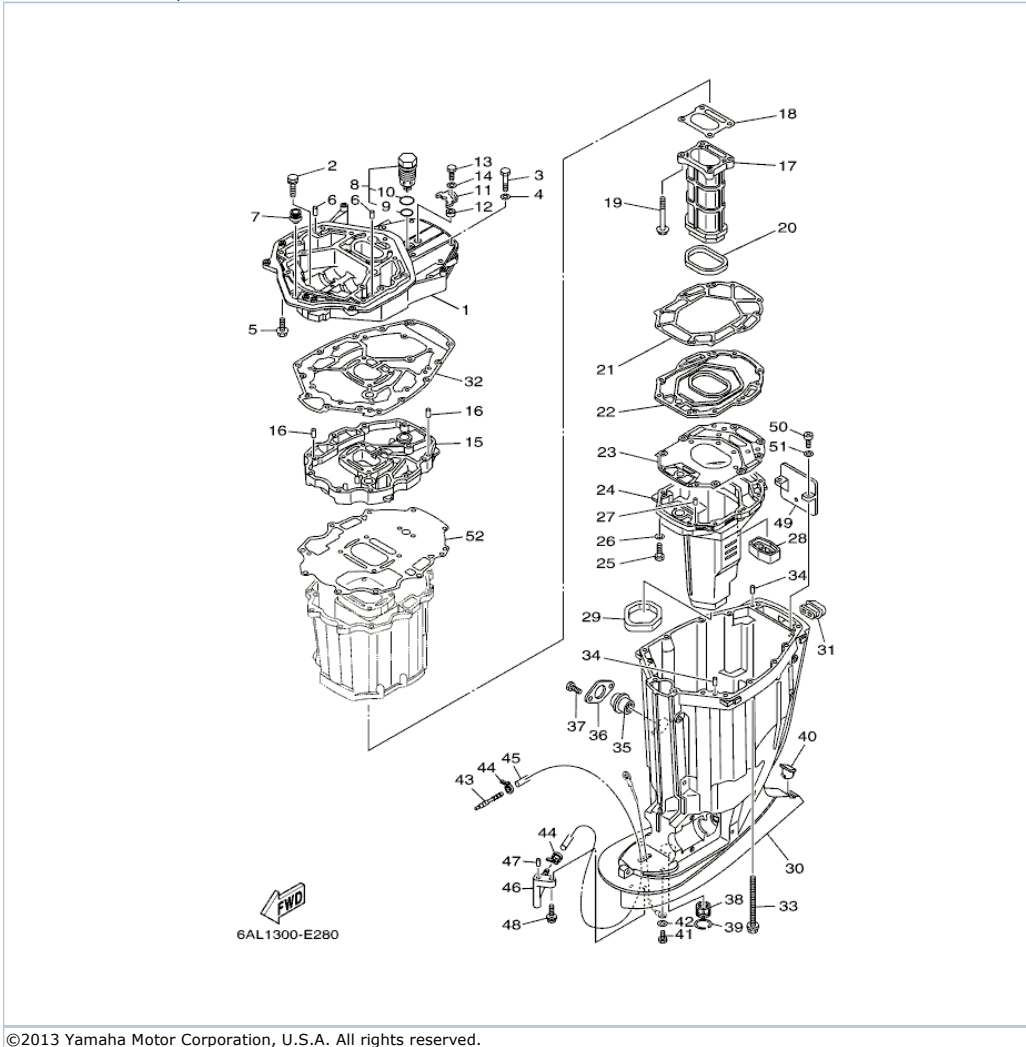
69J3700-C290

Part List

F200TXR 0406 / POWER TRIM TILT ASSY 2

REF - NO	PART NUMBER	PART NAME	QUANTITY	REMARKS
1	69J-43880-00-00	MOTOR ASSY	1	
2	90206-14N50-00	.WASHER, WAVE	1	
3	93399-999T6-00	.BEARING	2	
4	69J-43805-00-00	.ARMATURE ASSY	1	
5	69J-43804-00-00	.STATOR ASSY	1	
6	69J-43861-00-00	.O-RING	1	
7	69J-43886-00-00	.BOLT	2	
8	69J-43882-00-00	.OIL SEAL	1	
9	69J-43891-00-00	.BRUSH 1	4	
10	69J-4386K-00-00	.SPRING, BRUSH	4	
11	69J-43881-00-00	.FRAME, END	1	
12	69J-4388H-00-00	PLUG	1	
13	69J-43817-00-00	FILTER 2	1	
14	69J-4388F-00-00	SPACER	1	
15	6H1-43869-00-00	O-RING	2	
16	69J-43828-00-00	BODY, RESERVOIR	1	
17	69J-43888-00-00	BOLT, SOCKET	6	
18	93210-09165-00	O-RING	1	
19	6H1-43829-00-00	PLUG, RESERVOIR	1	

F200TXR 0406 / UPPER CASING






Part List






F200TXR 0406 / UPPER CASING

REF - NO	PART NUMBER	PART NAME	QUANTITY	REMARKS
1	69J-41137-02-94	GUIDE, EXHAUST	1	
2	90119-08M79-00	BOLT, WITH WASHER	2	
3	97075-10045-00	BOLT	7	
4	92995-10600-00	WASHER	7	
5	97575-10535-00	BOLT, WITH WASHER	7	
6	93608-16M16-00	PIN, DOWEL	2	
7	6E5-42724-00-00	GROMMET	1	
8	69J-11371-00-00	PRESSURE CONTROL VALVE ASSY	1	
9	93210-28543-00	.O-RING	1	
10	93210-33MG4-00	.O-RING	1	
11	69J-12233-00-00	PLATE, GUIDE STOPPER 1	1	
12	90387-06037-00	COLLAR	1	
13	97095-06020-00	BOLT	1	
14	92995-06600-00	WASHER	1	
15	69J-41131-10-94	MANIFOLD, EXT. 1	1	
16	93608-16M16-00	PIN, DOWEL	2	
17	69J-41132-10-5B	MANIFOLD, EXHAUST	1	
18	6P2-41134-00-00	.GASKET, EXHAUST MANIFOLD	1	
19	97575-08590-00	BOLT, WITH WASHER	4	
20	69J-41138-00-00	.SEAL, EXT. 1	1	
21	69J-41135-A0-00	.GASKET, EXHAUST MANIFOLD	1	
22	69J-45181-00-5B	PLATE	1	
23	6S1-41136-00-00	.GASKET, EXHAUST MANIFOLD 4	1	
24	69J-14711-10-5B	MUFFLER 1	1	
25	97075-08035-00	BOLT	10	
26	92995-08600-00	WASHER	10	
27	93606-19M23-00	PIN, DOWEL	2	
28	69J-45127-00-00	.SEAL	1	
29	69J-45123-00-00	.GASKET, MUFFLER	1	
30	69J-45111-10-8D	CASING, UPPER	1	
31	69J-42769-00-00	SEAL, RUBBER	1	
32	69J-45113-20-00	.GASKET, UPPER CASING	1	
33	90119-10007-00	BOLT, WITH WASHER	6	
34	93608-16M16-00	PIN, DOWEL	2	
35	69J-15316-00-00	DAMPER 1	1	
36	69J-45152-00-8D	COVER, UPPER CASING 2	1	
37	97095-06014-00	BOLT	2	
38	69J-45318-01-00	BUSHING, DRIVE SHAFT	1	
39	93420-36M01-00	CIRCLIP	1	
40	61A-45155-00-00	CAP	1	
41	97095-06010-00	BOLT	1	
42	92995-06600-00	WASHER	1	
43	6E5-83558-00-00	END, NIPPLE	1	
44	90465-11M10-00	CLAMP	2	
45	90445-07010-00	HOSE (L1330)	1	X (25.3")
46	61A-45378-00-00	NIPPLE, HOSE	1	
47	93606-12019-00	.PIN, DOWEL	1	
48	90119-06M17-00	BOLT, WITH WASHER	1	
49	69J-14624-01-00	COVER, EXHAUST	1	
50	97880-06016-00	SCREW, PAN HEAD	2	
51	92990-06600-00	WASHER, PLATE	2	
52	69J-15312-01-00	.GASKET, OIL PAN	1	

Part Notes

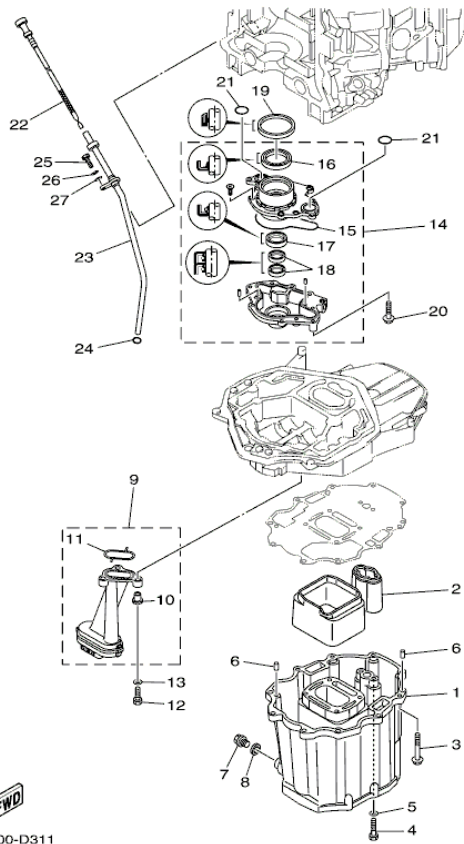
F200TXR 0406 / UPPER CASING

PART NUMBER	NOTE TEXT
6P2-41134-00-00	 OEM: If you are replacing damaged exhaust components on a 3.1L V6 Fourstroke, two kits have been developed to make choosing and ordering the correct parts easier. Ordering either MAR-EXHKT-03-00 (EXH KIT F200-225 for 2002-2003 models) or MAR-EXHKT-04-00 (EXH KIT F200-250 2004 models and up) will get you everything needed to rebuild the entire exhaust system.
69J-41138-00-00	 OEM: If you are replacing damaged exhaust components on a 3.1L V6 Fourstroke, two kits have been developed to make choosing and ordering the correct parts easier. Ordering either MAR-EXHKT-03-00 (EXH KIT F200-225 for 2002-2003 models) or MAR-EXHKT-04-00 (EXH KIT F200-250 2004 models and up) will get you everything needed to rebuild the entire exhaust system.
69J-41135-	 OEM: If you are replacing damaged exhaust components on a 3.1L V6 Fourstroke, two kits have been developed to make choosing and ordering the correct parts easier. Ordering either MAR-EXHKT-03-00 (EXH KIT F200-225 for 2002-2003 models) or

A0-00		MAR-EXHKT-04-00 (EXH KIT F200-250 2004 models and up) will get you everything needed to rebuild the entire exhaust system.
6S1-41136-00-00		OEM: If you are replacing damaged exhaust components on a 3.1L V6 Fourstroke, two kits have been developed to make choosing and ordering the correct parts easier. Ordering either MAR-EXHKT-03-00 (EXH KIT F200-225 for 2002-2003 models) or MAR-EXHKT-04-00 (EXH KIT F200-250 2004 models and up) will get you everything needed to rebuild the entire exhaust system.
69J-45127-00-00		OEM: If you are replacing damaged exhaust components on a 3.1L V6 Fourstroke, two kits have been developed to make choosing and ordering the correct parts easier. Ordering either MAR-EXHKT-03-00 (EXH KIT F200-225 for 2002-2003 models) or MAR-EXHKT-04-00 (EXH KIT F200-250 2004 models and up) will get you everything needed to rebuild the entire exhaust system.
69J-45123-00-00		OEM: If you are replacing damaged exhaust components on a 3.1L V6 Fourstroke, two kits have been developed to make choosing and ordering the correct parts easier. Ordering either MAR-EXHKT-03-00 (EXH KIT F200-225 for 2002-2003 models) or MAR-EXHKT-04-00 (EXH KIT F200-250 2004 models and up) will get you everything needed to rebuild the entire exhaust system.
92990-06600-00		OEM: This part number is among the Top 100 Most Popular Marine Maintenance Parts as of August 2013.
69J-15312-01-00		OEM: If you are replacing damaged exhaust components on a 3.1L V6 Fourstroke, two kits have been developed to make choosing and ordering the correct parts easier. Ordering either MAR-EXHKT-03-00 (EXH KIT F200-225 for 2002-2003 models) or MAR-EXHKT-04-00 (EXH KIT F200-250 2004 models and up) will get you everything needed to rebuild the entire exhaust system.

©2013 Yamaha Motor Corporation, U.S.A. All rights reserved.

F200TXR 0406 / OIL PAN



69J4100-D311

©2013 Yamaha Motor Corporation, U.S.A. All rights reserved.





Part List

F200TXR 0406 / OIL PAN

REF - NO	PART NUMBER	PART NAME	QUANTITY	REMARKS
1	69J-15311-00-5B	OIL PAN	1	
2	69J-15761-00-00	SEAL, RUBBER 1	1	
3	97575-08560-00	BOLT, WITH WASHER	10	
4	97095-08035-00	BOLT	2	
5	92995-08600-00	WASHER	2	
6	93608-16M16-00	PIN, DOWEL	2	
7	90340-14M06-00	PLUG, STRAIGHT SCREW	1	
8	90430-14M09-00	.GASKET	1	
9	69J-13411-00-00	STRAINER, OIL	1	
10	90387-06M64-00	.COLLAR	3	
11	69J-13415-00-00	.SEAL, OIL STRAINER	1	
12	97027-06025-00	BOLT, HEXAGON	3	
13	92907-06600-00	WASHER, PLATE	3	
14	69J-13300-00-00	OIL PUMP ASSY	1	
15	69J-13329-00-00	.GASKET, PUMP COVER	1	
16	69J-13338-00-00	.OIL SEAL	1	
17	69J-13119-00-00	.OIL SEAL	1	
18	69J-13631-00-00	.OIL SEAL	2	
19	69J-11355-00-00	.SEAL, CYLINDER 1	1	
20	97575-06540-00	BOLT, WITH WASHER	4	
21	93210-25552-00	O-RING	2	
22	69J-15362-10-00	PLUG, OIL LEVEL	1	
23	69J-15377-00-00	GUIDE, INLET	1	
24	93210-19MJ3-00	.O-RING	1	
25	97095-06020-00	BOLT	1	
26	92995-06100-00	WASHER, SPRING	1	
27	92995-06600-00	WASHER	1	

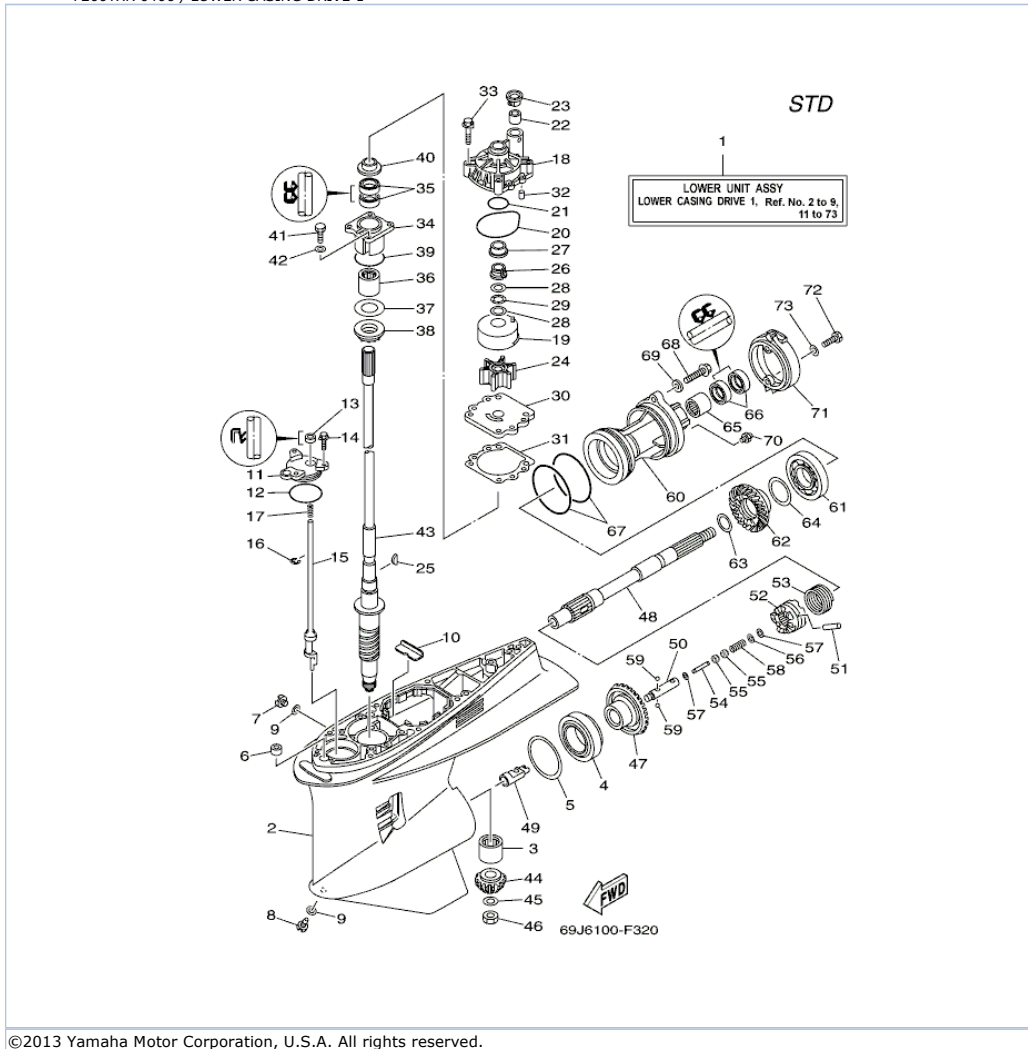
Part Notes

F200TXR 0406 / OIL PAN

PART NUMBER	NOTE TEXT
69J-15761-00-00 	OEM: If you are replacing damaged exhaust components on a 3.1L V6 Fourstroke, two kits have been developed to make choosing and ordering the correct parts easier. Ordering either MAR-EXHKT-03-00 (EXH KIT F200-225 for 2002-2003 models) or MAR-EXHKT-04-00 (EXH KIT F200-250 2004 models and up) will get you everything needed to rebuild the entire exhaust system.
90430-14M09-00 	OEM: This part number is among the Top 100 Most Popular Marine Maintenance Parts as of August 2013.
69J-13411-00-00 	OEM: If you are replacing damaged exhaust components on a 3.1L V6 Fourstroke, two kits have been developed to make choosing and ordering the correct parts easier. Ordering either MAR-EXHKT-03-00 (EXH KIT F200-225 for 2002-2003 models) or MAR-EXHKT-04-00 (EXH KIT F200-250 2004 models and up) will get you everything needed to rebuild the entire exhaust system.
92995-06100-00 	OEM: This part number is among the Top 100 Most Popular Marine Maintenance Parts as of August 2013.

©2013 Yamaha Motor Corporation, U.S.A. All rights reserved.

F200TXR 0406 / LOWER CASING DRIVE 1



©2013 Yamaha Motor Corporation, U.S.A. All rights reserved.

Part List











F200TXR 0406 / LOWER CASING DRIVE 1

REF - NO	PART NUMBER	PART NAME	QUANTITY	REMARKS
1	69J-45300-22-8D	LOWER UNIT ASSY	1	X (25.3")
2	61A-45301-10-8D	CASING, LOWER	1	
3	93311-83280-00	BEARING	1	
4	93332-000W1-00	BEARING	1	
5	61A-45567-00-00	SHIM (T:0.10MM)	1	UR
5	61A-45567-10-00	SHIM (T:0.12MM)	1	UR
5	61A-45567-20-00	SHIM (T:0.15MM)	1	UR
5	61A-45567-60-00	SHIM (T:0.50MM)	1	UR
5	61A-45567-40-00	SHIM (T:0.30MM)	1	UR
5	61A-45567-50-00	SHIM (T:0.40MM)	1	UR
5	61A-45567-30-00	SHIM (T:0.18MM)	1	UR
6	663-44366-00-00	DAMPER, WATER SEAL 2	1	
7	90340-08002-00	PLUG, STRAIGHT SCREW	1	
8	688-45341-10-00	PLUG, DRAIN	1	
9	90430-08020-00	.GASKET	2	
10	61A-45376-00-94	GUIDE, SEAL DAMPER	1	
11	61A-45321-01-00	PLATE	1	
12	93210-64488-00	.O-RING	1	
13	93106-09014-00	.OIL SEAL	1	
14	90119-06M10-00	BOLT, WITH WASHER	3	
15	69J-44150-00-00	SHIFT CAM ASSY	1	
16	99001-08600-00	CIRCLIP	1	
17	90501-11M10-00	SPRING, COMPRESSION	1	
18	61A-44311-01-00	HOUSING, WATER PUMP	1	
19	61A-44322-02-00	.INSERT, CARTRIDGE	1	
20	93210-86M38-00	.O-RING	1	
21	93210-37160-00	.O-RING	1	
22	6E5-44365-00-00	DAMPER, WATER SEAL 1	1	
23	6E5-44312-00-00	COVER, WATER PUMP HOUSING	1	
24	6E5-44352-01-00	.IMPELLER	1	
25	90280-04M05-00	.KEY, WOODRUFF	1	
26	61A-45538-00-00	SPACER 1	1	
27	61A-45527-00-00	COLLAR, DRIVE SHAFT	1	
28	90201-22M01-00	WASHER, PLATE	2	
29	90206-22M19-00	WASHER, WAVE	1	
30	6G5-44323-00-00	.OUTER PLATE, CARTRIDGE	1	
31	6E5-44315-A0-00	.GASKET, WATER PUMP	1	
32	93606-12019-00	.PIN, DOWEL	2	
33	90119-08M14-00	.BOLT, WITH WASHER	4	
34	61A-45331-00-94	HOUSING, BEARING	1	
35	93101-28M16-00	.OIL SEAL	2	
36	93317-330U2-00	BEARING	1	
37	61A-45587-00-00	SHIM (T:0.10MM)	1	UR
37	61A-45587-10-00	SHIM (T:0.12MM)	1	UR
37	61A-45587-20-00	SHIM (T:0.15MM)	1	UR
37	61A-45587-60-00	SHIM (T:0.50MM)	1	UR
37	61A-45587-40-00	SHIM (T:0.30MM)	1	UR
37	61A-45587-50-00	SHIM (T:0.40MM)	1	UR
37	61A-45587-30-00	SHIM (T:0.18MM)	1	UR
38	93341-930U9-00	BEARING	1	
39	93210-55M14-00	.O-RING	1	
40	6E5-45344-00-00	COVER, OIL SEAL	1	
41	97095-08025-00	BOLT	4	
42	92995-08600-00	WASHER	4	
43	69J-45501-00-00	DRIVE SHAFT COMP.	1	X (25.3")
44	6P2-45551-01-00	PINION (15T)	1	
45	90201-16M00-00	WASHER, PLATE	1	
46	90170-16M19-00	NUT	1	
47	6P2-45560-00-00	GEAR 1 (30T)	1	
48	69J-45611-00-00	SHAFT, PROPELLER	1	
49	61A-45641-02-00	SHIFTER	1	
50	61A-45634-01-00	SLIDE, SHIFT	1	
51	61A-45632-00-00	PIN, CROSS	1	
52	69J-45631-00-00	CLUTCH, DOG	1	
53	61A-45633-00-00	RING, CROSS PIN	1	
54	6H1-45668-00-00	SHAFT, FREE 1	1	

55	61A-45635-00-00	PLUNGER, SHIFT	2	
56	90201-02M00-00	WASHER, PLATE	1	
57	90183-02M03-00	NUT, SPRING	2	
58	90501-10M77-00	SPRING, COMPRESSION	1	
59	93501-04011-00	.BALL	2	
60	69J-45332-00-94	HOUSING, BEARING	1	
61	93306-210U0-00	BEARING	1	
62	6P2-45571-00-00	GEAR 2 (30T)	1	
63	90201-31M00-00	WASHER, PLATE	1	
64	61A-45577-00-00	SHIM (T:0.10MM)	1	UR
64	61A-45577-10-00	SHIM (T:0.12MM)	1	UR
64	61A-45577-20-00	SHIM (T:0.15MM)	1	UR
64	61A-45577-60-00	SHIM (T:0.50MM)	1	UR
64	61A-45577-40-00	SHIM (T:0.30MM)	1	UR
64	61A-45577-50-00	SHIM (T:0.40MM)	1	UR
64	61A-45577-30-00	SHIM (T:0.18MM)	1	UR
65	93315-43061-00	BEARING	1	
66	93101-30M17-00	.OIL SEAL	2	
67	93211-04384-00	.O-RING	2	
68	90105-08036-00	BOLT, FLANGE	2	
69	90201-08023-00	WASHER, PLATE	2	
70	93700-09M00-00	NIPPLE, GREASE	1	
71	69J-45361-00-8D	CAP, LOWER CASING	1	
72	97095-08020-00	BOLT	2	
73	92995-08600-00	WASHER	2	

Part Notes

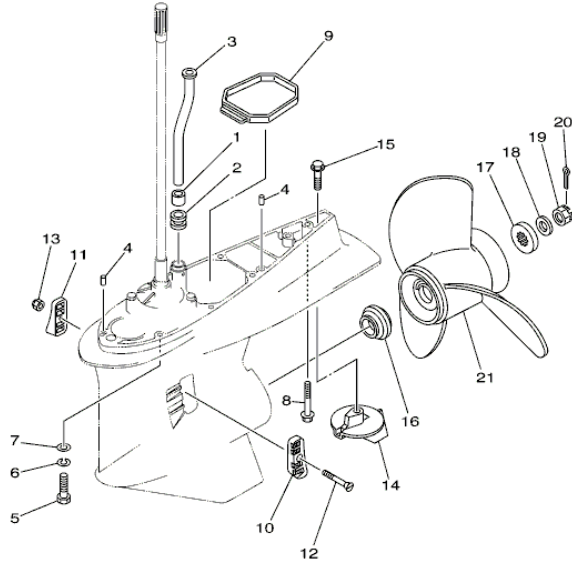
F200TXR 0406 / LOWER CASING DRIVE 1

PART NUMBER		NOTE TEXT
90430-08020-00		OEM: This part number is among the Top 100 Most Popular Marine Maintenance Parts as of August 2013.
93106-09014-00		OEM: This part number is among the Top 100 Most Popular Marine Maintenance Parts as of August 2013.
61A-44311-01-00		OEM: This part number is among the Top 100 Most Popular Marine Maintenance Parts as of August 2013.
93210-86M38-00		OEM: This part number is among the Top 100 Most Popular Marine Maintenance Parts as of August 2013.
6E5-44352-01-00		OEM: This part number is among the Top 100 Most Popular Marine Maintenance Parts as of August 2013.
61A-45538-00-00		OEM: This part number is among the Top 100 Most Popular Marine Maintenance Parts as of August 2013.
61A-45527-00-00		OEM: This part number is among the Top 100 Most Popular Marine Maintenance Parts as of August 2013.
90201-22M01-00		OEM: This part number is among the Top 100 Most Popular Marine Maintenance Parts as of August 2013.
93101-28M16-00		OEM: This part number is among the Top 100 Most Popular Marine Maintenance Parts as of August 2013.
93101-30M17-00		OEM: This part number is among the Top 100 Most Popular Marine Maintenance Parts as of August 2013.

©2013 Yamaha Motor Corporation, U.S.A. All rights reserved.

F200TXR 0406 / LOWER CASING DRIVE 2

STD




69J2100-3320

©2013 Yamaha Motor Corporation, U.S.A. All rights reserved.




Part List

F200TXR 0406 / LOWER CASING DRIVE 2

REF - NO	PART NUMBER	PART NAME	QUANTITY	REMARKS
1	6E5-44365-00-00	DAMPER, WATER SEAL 1	1	
2	6E5-44366-00-00	DAMPER, WATER SEAL 2	1	
3	69J-44361-00-00	TUBE, WATER	1	X (25.3")
4	93608-12M05-00	PIN, DOWEL	2	
5	97095-10045-00	BOLT	7	X (25.3")
6	92995-10100-00	WASHER	7	X (25.3")
7	92995-10600-00	WASHER	7	X (25.3")
8	90119-10MA2-00	BOLT, WITH WASHER	1	X (25.3")
9	69J-45375-00-00	DAMPER, SEAL	1	
10	61A-45214-10-00	COVER, WATER INLET 1	1	
11	61A-45215-10-00	COVER, WATER INLET 2	1	
12	90152-05003-00	SCREW, COUNTERSUNK	1	
13	90185-05002-00	NUT, NYLON	1	
14	61A-45371-00-00	TAB-TRIM	1	
15	90105-10M00-00	BOLT, FLANGE	1	
16	69J-45987-00-00	SPACER 1	1	
17	688-45997-01-00	SPACER 2	1	
18	92990-18200-00	WASHER	1	
19	90171-18M04-00	NUT, CASTLE	1	
20	91490-40030-00	PIN. COTTER	1	
21	6G5-45972-02-98	PROPELLER (3X13-3/4"X21"-M)	1	UR
21	6G5-45970-02-98	PROPELLER (3X15-1/4"X15"-M)	1	UR
21	61A-45974-00-98	PROPELLER (3X14-1/2"X19"-T)	1	UR
21	61A-45978-00-98	PROPELLER (3X15"X17"-T)	1	UR
21	61A-45972-00-98	PROPELLER (3X14-1/2"X21"-T)	1	UR
21	6G5-45974-03-98	PROPELLER (3X13-3/4"X19"-M2)	1	UR
21	66K-45974-B0-00	PROPELLER (3X14-1/2"X23"-M2)	1	UR
21	6R4-45976-A0-00	PROPELLER (3X14-1/2"X15"-M)	1	UR
21	6R4-45978-A0-00	PROPELLER (3X15-1/4"X17"-M)	1	UR
21	6R4-45972-A0-00	PROPELLER (3X14-7/8"X21"-M)	1	UR
21	6R4-45974-A0-00	PROPELLER (3X14-1/2"X23"-M)	1	UR
21	6R4-45970-A1-00	PROPELLER (3X15-1/4"X19"-M)	1	UR
21	6G5-45978-03-98	PROPELLER (3X13-3/4"X17"-M2)	1	UR

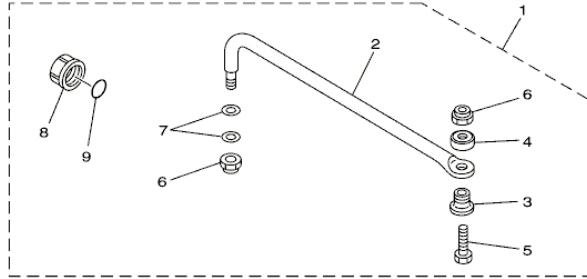
Part Notes

F200TXR 0406 / LOWER CASING DRIVE 2

PART NUMBER	NOTE TEXT
61A-45371-00-00 	OEM: This part number is among the Top 100 Most Popular Marine Maintenance Parts as of August 2013.
90105-10M00-00 	OEM: This part number is among the Top 100 Most Popular Marine Maintenance Parts as of August 2013.
91490-40030-00 	OEM: This part number is among the Top 100 Most Popular Marine Maintenance Parts as of August 2013.

©2013 Yamaha Motor Corporation, U.S.A. All rights reserved.

F200TXR 0406 / STEERING GUIDE



60V2100-C330

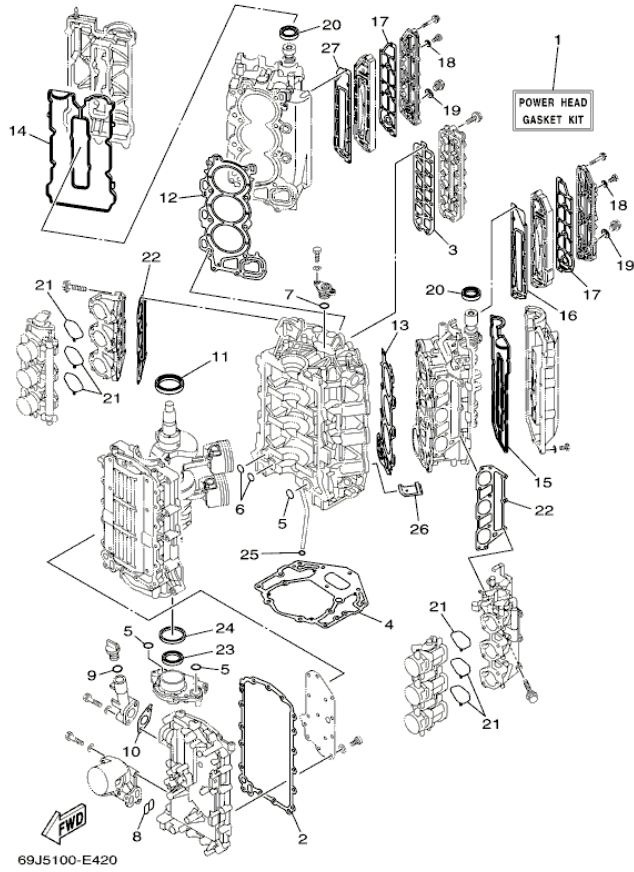
©2013 Yamaha Motor Corporation, U.S.A. All rights reserved.

Part List

F200TXR 0406 / STEERING GUIDE

REF - NO	PART NUMBER	PART NAME	QUANTITY	REMARKS
1	6E5-61350-02-00	STEERING GUIDE ATTACHMENT KIT	1	AP F200/F225
2	6E5-61351-01-00	.ROD, STEERING LINK	1	
3	90387-10M61-00	.COLLAR	1	
4	90560-12M01-00	.SPACER	1	
5	6E5-61355-00-00	.BOLT	1	
6	90185-09M01-00	.NUT, SELF-LOCKING	2	
7	90201-10M20-00	.WASHER, PLATE	2	
8	6E5-43145-01-00	.CAP, CLAMP BRACKET	1	
9	93210-16275-00	.O-RING	1	

F200TXR 0406 / REPAIR KIT 1



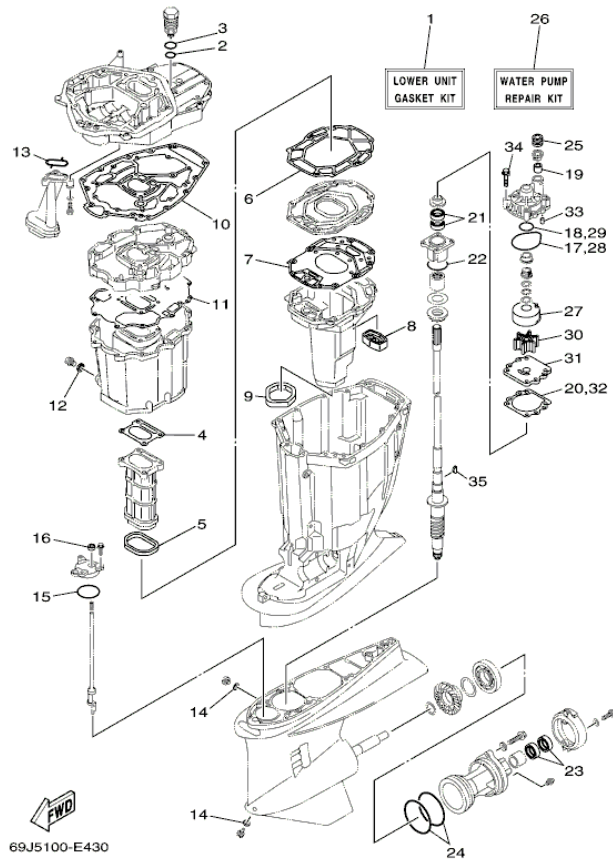
©2013 Yamaha Motor Corporation, U.S.A. All rights reserved.

Part List

F200TXR 0406 / REPAIR KIT 1

REF - NO	PART NUMBER	PART NAME	QUANTITY	REMARKS
1	69J-W0001-04-00	POWER HEAD GASKET KIT	1	
2	69J-15451-00-00	.GASKET, CRANKCASE COVER 1	1	
3	6S1-1131B-00-00	.GASKET, COVER	1	
4	69J-11351-11-00	.GASKET, CYLINDER	1	
5	93210-25552-00	.O-RING	3	
6	93210-19MJ1-00	.O-RING	2	
7	93210-25647-00	.O-RING	1	
8	69J-13477-00-00	.GASKET	1	
9	93210-24M79-00	.O-RING	1	
10	69J-15364-A0-00	.GASKET, OIL PLUG	1	
11	93102-63004-00	.OIL SEAL	1	
12	69J-11181-03-00	.GASKET, CYLINDER HEAD 1	1	
13	69J-11182-03-00	.GASKET, CYLINDER HEAD 2	1	
14	69J-11193-01-00	.GASKET, HEAD COVER 1	1	
15	69J-11194-00-00	.GASKET, HEAD COVER 2	1	
16	6P2-41112-00-00	.GASKET, EXHAUST INNER COVER	1	
17	6P2-41114-00-00	.GASKET, EXHAUST OUTER COVER	2	
18	90430-08143-00	.GASKET	4	
19	90430-18130-00	.GASKET	2	
20	93102-38M59-00	.OIL SEAL	2	
21	69J-13557-00-00	.GASKET	6	
22	69J-13645-00-00	.GASKET, MANIFOLD 1	2	
23	69J-13338-00-00	.OIL SEAL	1	
24	69J-11355-00-00	.SEAL, CYLINDER 1	1	
25	93210-19MJ3-00	.O-RING	1	
26	69J-14664-00-00	.GROMMET, WATER SHUT	2	
27	6P2-41122-00-00	.GASKET, EXHAUST INNER COVER	1	

F200TXR 0406 / REPAIR KIT 2



©2013 Yamaha Motor Corporation, U.S.A. All rights reserved.












Part List

F200TXR 0406 / REPAIR KIT 2

REF - NO	PART NUMBER	PART NAME	QUANTITY	REMARKS
1	69J-W0001-22-00	LOWER UNIT GASKET KIT	1	
2	93210-28543-00	.O-RING	1	
3	93210-33MG4-00	.O-RING	1	
4	6P2-41134-00-00	.GASKET, EXHAUST MANIFOLD	1	
5	69J-41138-00-00	.SEAL, EXT 1	1	
6	69J-41135-A0-00	.GASKET, EXHAUST MANIFOLD	1	
7	6S1-41136-00-00	.GASKET, EXHAUST MANIFOLD 4	1	
8	69J-45127-00-00	.SEAL	1	
9	69J-45123-00-00	.GASKET, MUFFLER	1	
10	69J-45113-20-00	.GASKET, UPPER CASING	1	
11	69J-15312-01-00	.GASKET, OIL PAN	1	
12	90430-14M09-00	.GASKET	1	
13	69J-13415-00-00	.SEAL, OIL STRAINER	1	
14	90430-08020-00	.GASKET	2	
15	93210-64488-00	.O-RING	1	
16	93106-09014-00	.OIL SEAL	1	
17	93210-86M38-00	.O-RING	1	
18	93210-37160-00	.O-RING	1	
19	6E5-44365-00-00	.DAMPER, WATER SEAL 1	1	
20	6E5-44315-A0-00	.GASKET, WATER PUMP	1	
21	93101-28M16-00	.OIL SEAL	2	
22	93210-55M14-00	.O-RING	1	
23	93101-30M17-00	.OIL SEAL	2	
24	93211-04384-00	.O-RING	2	
25	6E5-44366-00-00	.DAMPER, WATER SEAL 2	1	
26	61A-W0078-A3-00	WATER PUMP REPAIR KIT	1	
27	61A-44322-02-00	.INSERT, CARTRIDGE	1	
28	93210-86M38-00	.O-RING	1	
29	93210-37160-00	.O-RING	1	
30	6E5-44352-01-00	.IMPELLER	1	
31	6G5-44323-00-00	.OUTER PLATE, CARTRIDGE	1	
32	6E5-44315-A0-00	.GASKET, WATER PUMP	1	
33	93606-12019-00	.PIN, DOWEL	2	
34	90119-08M14-00	.BOLT, WITH WASHER	4	
35	90280-04M05-00	.KEY, WOODRUFF	1	

Part Notes

F200TXR 0406 / REPAIR KIT 2

PART NUMBER	NOTE TEXT
6P2-41134-00-00	 OEM: If you are replacing damaged exhaust components on a 3.1L V6 Fourstroke, two kits have been developed to make choosing and ordering the correct parts easier. Ordering either MAR-EXHKT-03-00 (EXH KIT F200-225 for 2002-2003 models) or MAR-EXHKT-04-00 (EXH KIT F200-250 2004 models and up) will get you everything needed to rebuild the entire exhaust system.
69J-41138-00-00	 OEM: If you are replacing damaged exhaust components on a 3.1L V6 Fourstroke, two kits have been developed to make choosing and ordering the correct parts easier. Ordering either MAR-EXHKT-03-00 (EXH KIT F200-225 for 2002-2003 models) or MAR-EXHKT-04-00 (EXH KIT F200-250 2004 models and up) will get you everything needed to rebuild the entire exhaust system.
69J-41135-A0-00	 OEM: If you are replacing damaged exhaust components on a 3.1L V6 Fourstroke, two kits have been developed to make choosing and ordering the correct parts easier. Ordering either MAR-EXHKT-03-00 (EXH KIT F200-225 for 2002-2003 models) or MAR-EXHKT-04-00 (EXH KIT F200-250 2004 models and up) will get you everything needed to rebuild the entire exhaust system.
6S1-41136-00-00	 OEM: If you are replacing damaged exhaust components on a 3.1L V6 Fourstroke, two kits have been developed to make choosing and ordering the correct parts easier. Ordering either MAR-EXHKT-03-00 (EXH KIT F200-225 for 2002-2003 models) or MAR-EXHKT-04-00 (EXH KIT F200-250 2004 models and up) will get you everything needed to rebuild the entire exhaust system.
69J-45127-00-00	 OEM: If you are replacing damaged exhaust components on a 3.1L V6 Fourstroke, two kits have been developed to make choosing and ordering the correct parts easier. Ordering either MAR-EXHKT-03-00 (EXH KIT F200-225 for 2002-2003 models) or MAR-EXHKT-04-00 (EXH KIT F200-250 2004 models and up) will get you everything needed to rebuild the entire exhaust system.
69J-45123-00-00	 OEM: If you are replacing damaged exhaust components on a 3.1L V6 Fourstroke, two kits have been developed to make choosing and ordering the correct parts easier. Ordering either MAR-EXHKT-03-00 (EXH KIT F200-225 for 2002-2003 models) or MAR-EXHKT-04-00 (EXH KIT F200-250 2004 models and up) will get you everything needed to rebuild the entire exhaust system.
69J-15312-01-00	 OEM: If you are replacing damaged exhaust components on a 3.1L V6 Fourstroke, two kits have been developed to make choosing and ordering the correct parts easier. Ordering either MAR-EXHKT-03-00 (EXH KIT F200-225 for 2002-2003 models) or MAR-EXHKT-04-00 (EXH KIT F200-250 2004 models and up) will get you everything needed to rebuild the entire exhaust system.
90430-14M09-00	 OEM: This part number is among the Top 100 Most Popular Marine Maintenance Parts as of August 2013.
90430-08020-00	 OEM: This part number is among the Top 100 Most Popular Marine Maintenance Parts as of August 2013.
93106-09014-00	 OEM: This part number is among the Top 100 Most Popular Marine Maintenance Parts as of August 2013.
93210-86M38-00	 OEM: This part number is among the Top 100 Most Popular Marine Maintenance Parts as of August 2013.

00		
93101-28M16-00		OEM: This part number is among the Top 100 Most Popular Marine Maintenance Parts as of August 2013.
93101-30M17-00		OEM: This part number is among the Top 100 Most Popular Marine Maintenance Parts as of August 2013.
61A-W0078-A3-00		OEM: This part number is among the Top 100 Most Popular Marine Maintenance Parts as of August 2013.
93210-86M38-00		OEM: This part number is among the Top 100 Most Popular Marine Maintenance Parts as of August 2013.
6E5-44352-01-00		OEM: This part number is among the Top 100 Most Popular Marine Maintenance Parts as of August 2013.

©2013 Yamaha Motor Corporation, U.S.A. All rights reserved.

F200TXR 0406 / MODELS IN THIS CATALOG

**F200TXR 60L-1008346~1009953
(60L6)**

**LF200TXR 60M-1001344~1001528
(60M6)**

**F225TXR 69J-1027875~1029405
(69J6)**

**LF225TXR 69K-1008434~1008931
(69K6)**

**ALL THESE MODELS USE THIS SAME PARTS CATALOG.
BE SURE TO ORDER ONLY THOSE PARTS APPLICABLE
TO THE DESIRED MODEL.**

©2013 Yamaha Motor Corporation, U.S.A. All rights reserved.

©2013 Yamaha Motor Corporation, U.S.A. All rights reserved.