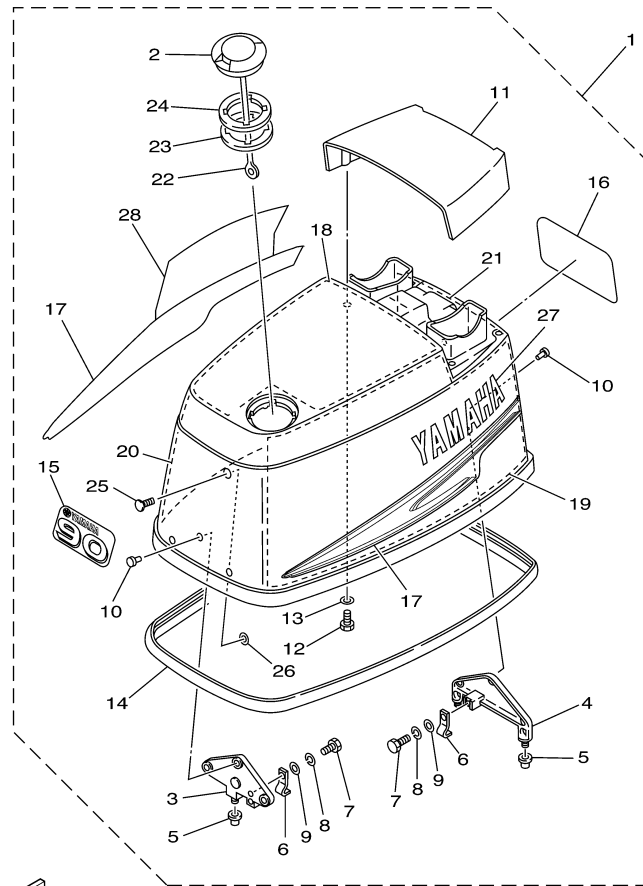


90TLR 0509 / TOP COWLING



6H14100-3010

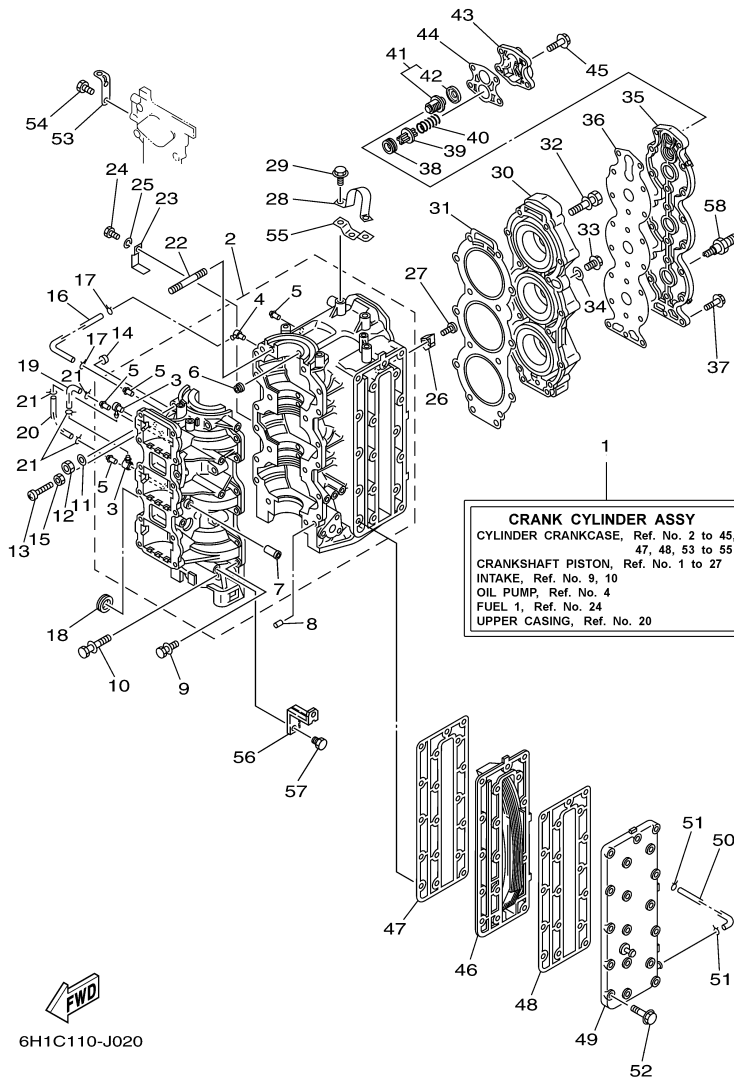
©2014 Yamaha Motor Corporation, U.S.A. All rights reserved.

Part List

90TLR 0509 / TOP COWLING

REF - NO	PART NUMBER	PART NAME	QUANTITY	REMARKS
1	6H1-42610-80-8D	TOP COWLING ASSY	1	
2	63D-2177H-00-00	.DISK CAP 2	1	
3	6H1-42647-00-94	.HOLDER, CLAMP BAND	1	
4	6H1-42649-00-94	.HOLDER, CLAMP BAND	1	
5	663-42662-00-00	.DAMPER	3	
6	688-42652-10-00	.HOOK	2	
7	97095-06016-00	.BOLT	2	
8	92995-06100-00	.WASHER, SPRING	2	
9	92995-06600-00	.WASHER	2	
10	90266-06009-00	.RIVET	6	
11	6H1-42613-01-8D	.MOLDING, AIR DUCT	1	
12	97095-06016-00	.BOLT	4	
13	92995-06600-00	.WASHER	4	
14	688-42615-00-00	.SEAL	1	
15	6H1-42677-80-00	.GRAPHIC, FRONT	1	
16	6H1-42678-60-00	.GRAPHIC, REAR	1	
17	6H1-W0070-60-00	.GRAPHIC SET	1	
18	6H1-42617-10-00	.DAMPER, FORM	1	
19	6H1-42619-00-00	.DAMPER, FORM	1	
20	6H1-42627-00-00	.DAMPER, FORM	1	
21	6H1-42637-00-00	.DAMPER, FORM	1	
22	6H1-42694-00-00	.BAND	1	
23	6H3-21732-00-00	.SEAL 1	1	
24	6H3-21735-00-00	.SEAL 2	1	
25	90338-05M12-00	.PLUG	1	
26	90183-05M06-00	.NUT, SPRING	1	
27	6H1-42681-50-00	.MARK, COWLING	1	
28	6H1-42682-50-00	.MARK, COWLING	1	

90TLR 0509 / CYLINDER & CRANKCASE



FWD
6H1C110-J020

Part List



90TLR 0509 / CYLINDER & CRANKCASE

REF - NO	PART NUMBER	PART NAME	QUANTITY	REMARKS
1	6H1-W0090-45-1S	CRANK CYLINDER ASSY (O/I)	1	
2	6H1-15100-05-1S	CRANKCASE ASSY	1	
3	688-11370-01-00	.CHECK VALVE ASSY	2	
4	650-11370-01-00	.CHECK VALVE ASSY	1	
5	624-14485-00-00	.PIPE, JOINT	4	
6	663-11518-01-00	.LOCK BEARING	3	
7	650-24378-00-00	.PIPE, JOINT 4	1	
8	99530-08012-00	PIN, DOWEL	2	
9	90119-06M12-00	BOLT, WITH WASHER	12	
10	90119-10005-00	BOLT, WITH WASHER	6	
11	90201-10008-00	WASHER, PLATE	2	
12	95313-10600-00	NUT	2	
13	90157-06014-00	SCREW, PAN HEAD	1	
14	688-44194-00-00	CAP	1	
15	95303-06700-00	NUT	1	
16	90445-07260-00	HOSE (L276)	1	
17	90467-06016-00	CLIP	2	
18	90480-24M04-00	GROMMET	1	
19	90445-07M00-00	HOSE (L100)	1	
20	90445-07M23-00	HOSE (L408)	1	
21	90467-06016-00	CLIP	4	
22	90116-10M06-00	BOLT, STUD	2	
23	90465-12M03-00	CLAMP	1	
24	97095-06014-00	BOLT	1	
25	92995-06100-00	WASHER, SPRING	1	
26	688-11325-00-00	ANODE	2	
27	98780-04015-00	SCREW, FLAT HEAD	2	
28	688-11119-01-00	HANGER, ENGINE	1	
29	90119-08MA3-00	BOLT, WITH WASHER	2	
30	6H1-11111-01-1S	HEAD, CYLINDER 1	1	
31	688-11181-A2-00	.GASKET, CYLINDER HEAD 1	1	
32	90119-08MA8-00	BOLT, WITH WASHER	14	
33	90340-14M00-00	.PLUG, STRAIGHT SCREW	1	
34	90430-14115-00	.GASKET	1	
35	688-11191-00-1S	COVER, CYLINDER HEAD 1	1	
36	688-11193-A1-00	GASKET, HEAD COVER 1	1	
37	90119-06MA3-00	BOLT, WITH WASHER	18	
38	90480-20M05-00	GROMMET	1	
39	688-12416-00-00	VALVE, PRESSURE CONTROL	1	
40	90501-16M11-00	SPRING, COMPRESSION	1	
41	688-12411-11-00	THERMOSTAT	1	
42	688-12412-00-00	.SEAL, THERMOSTAT	1	
43	688-12413-00-1S	COVER, THERMOSTAT	1	
44	688-12414-A1-00	.GASKET, COVER	1	
45	90119-06MA5-00	BOLT, WITH WASHER	4	
46	688-41111-00-1S	INNER COVER, EXHAUST	1	
47	688-41112-A0-00	GASKET, EXHAUST INNER COVER	1	
48	688-41114-A0-00	.GASKET, EXHAUST OUTER COVER	1	
49	6H1-41113-00-1S	OUTER COVER, EXHAUST	1	FLUSHING KIT
50	663-24312-01-00	PIPE 2	1	
51	90467-08004-00	CLIP	2	
52	90119-08020-00	BOLT, WITH WASHER	18	
53	6H1-15772-00-00	STAY 2	1	

54	97095-06012-00	BOLT	2	
55	6H1-15773-01-00	STAY 3	1	
56	6H1-21796-00-00	HINGE	1	
57	97095-08012-00	BOLT	1	
58	NGK-B8HS1-00-00	PLUG, SPARK (NGK B8HS-10)	3	

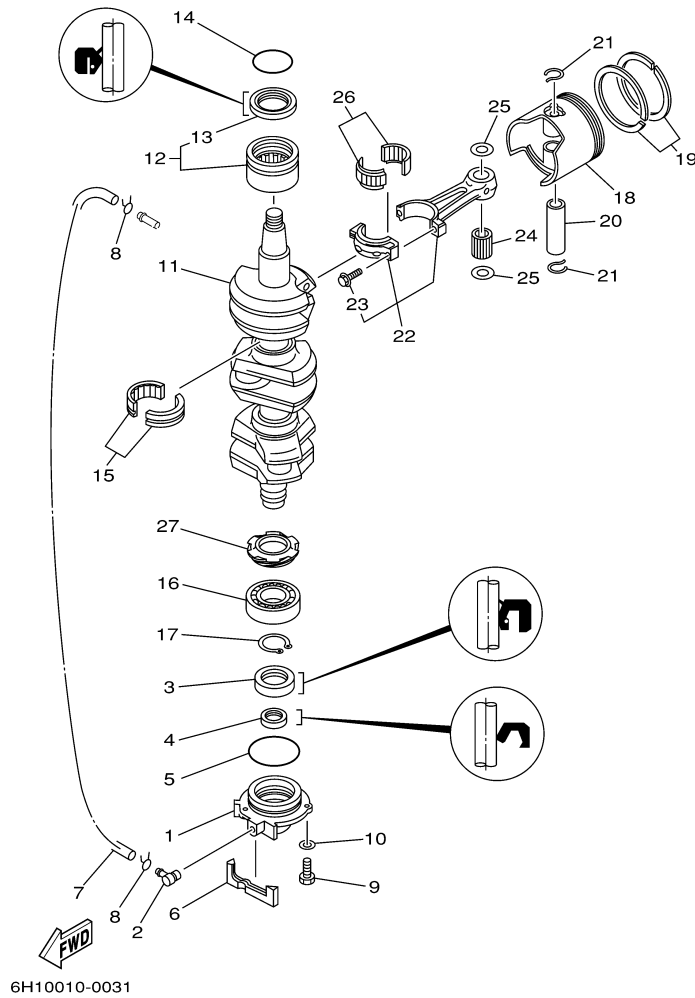
Part Notes

90TLR 0509 / CYLINDER & CRANKCASE

PART NUMBER		NOTE TEXT
90480-20M05-00		OEM: This part number is among the Top 100 Most Popular Marine Maintenance Parts as of March 2014.
688-12414-A1-00		OEM: This part number is among the Top 100 Most Popular Marine Maintenance Parts as of March 2014.

©2014 Yamaha Motor Corporation, U.S.A. All rights reserved.

90TLR 0509 / CRANKSHAFT & PISTON



©2014 Yamaha Motor Corporation, U.S.A. All rights reserved.


Part List

90TLR 0509 / CRANKSHAFT & PISTON

REF - NO	PART NUMBER	PART NAME	QUANTITY	REMARKS
1	6H1-15359-01-94	HOUSING, OIL SEAL	1	
2	688-11370-01-00	CHECK VALVE ASSY	1	
3	93102-30M05-00	.OIL SEAL	1	
4	93104-20M02-00	OIL SEAL	1	
5	93210-62269-00	O-RING	1	
6	688-15379-00-00	SEAL, CRANKCASE	1	
7	90445-07M86-00	HOSE (L460)	1	
8	90467-06016-00	CLIP	2	
9	97095-06020-00	BOLT	3	
10	92995-06600-00	WASHER	3	
11	688-11411-01-00	CRANKSHAFT	1	
12	93310-636U4-00	BEARING	1	
13	93102-36M02-00	.OIL SEAL	1	
14	93210-46M16-00	.O-RING	1	
15	93310-835U8-00	BEARING	2	
16	93306-206U5-00	BEARING	1	
17	93410-32M00-00	CIRCLIP	1	
18	6H1-11635-03-00	PISTON (0.25MM O/S)	3	AP
18	6H1-11636-03-00	PISTON (0.50MM O/S)	3	AP
18	6H1-11631-03-95	PISTON (STD)	3	
19	688-11603-A0-00	PISTON RING SET (STD)	3	
19	688-11605-A0-00	PISTON RING SET (0.50MM O/S)	3	AP
19	688-11604-A0-00	PISTON RING SET (0.25MM O/S)	3	AP
20	663-11633-00-00	PIN, PISTON	3	
21	688-11634-10-00	CLIP, PISTON PIN	6	
22	688-11650-03-00	CONNECTING ROD ASSY	3	
23	90109-08022-00	.BOLT	2	
24	93603-21111-00	PIN, DOWEL	84	
25	90201-20417-00	WASHER, PLATE	6	
26	93310-730V8-00	BEARING	3	
27	6H1-11536-00-00	GEAR, DRIVE	1	

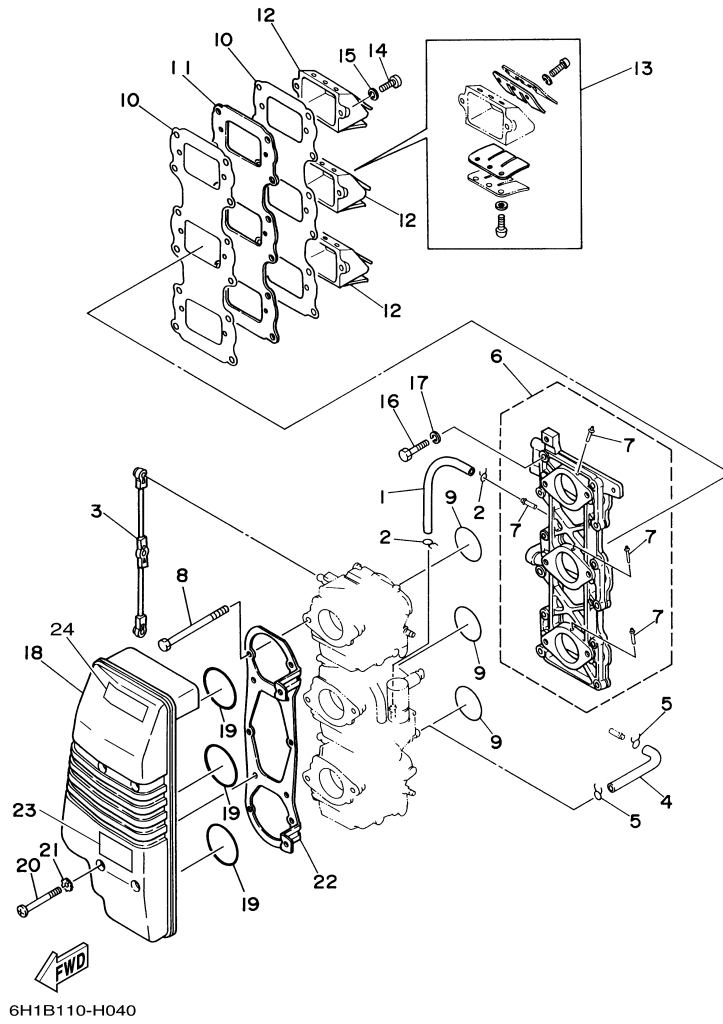
Part Notes

90TLR 0509 / CRANKSHAFT & PISTON

PART NUMBER	NOTE TEXT
93603-21111-00 	OEM: This part number is among the Top 100 Most Popular Marine Maintenance Parts as of March 2014.

©2014 Yamaha Motor Corporation, U.S.A. All rights reserved.

90TLR 0509 / INTAKE



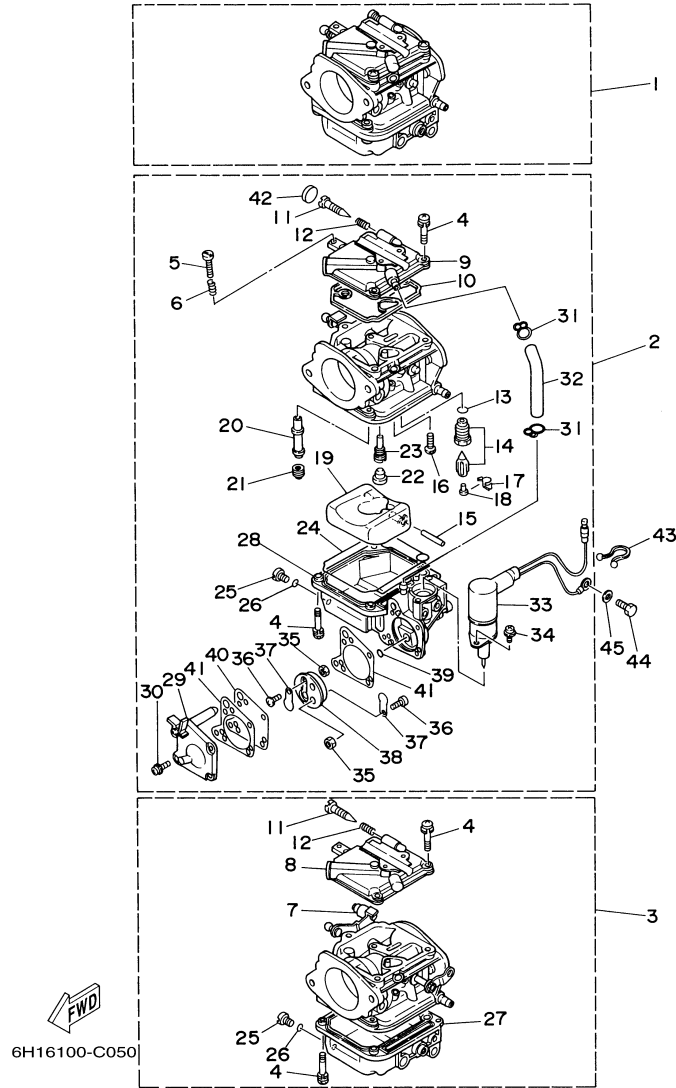
©2014 Yamaha Motor Corporation, U.S.A. All rights reserved.

Part List

90TLR 0509 / INTAKE

REF - NO	PART NUMBER	PART NAME	QUANTITY	REMARKS
1	90445-07M23-00	HOSE (L408)	1	
2	90467-06016-00	CLIP	2	
3	688-41217-01-00	ROD, ACCEL. LEVER	1	
4	6H3-14349-00-00	.PIPE	1	
5	90467-08004-00	CLIP	2	
6	6H1-13641-02-94	MANIFOLD 1	1	
7	6H1-14485-00-00	.PIPE, JOINT	4	
8	97095-06095-00	BOLT	6	
9	93210-39ME4-00	.O-RING	3	
10	688-13621-A1-00	.GASKET, VALVE SEAT	2	
11	688-13624-00-00	PLATE, REED VALVE	1	
12	688-13610-00-00	REED VALVE ASSY	3	
13	688-W0004-00-00	.REED SET	1	
14	97880-05020-00	SCREW, PAN HEAD	6	
15	92990-05100-00	.WASHER, SPRING	6	
16	97013-06030-00	BOLT	12	
17	92903-06100-00	WASHER, SPRING	12	
18	6H1-14440-02-00	SILENCER ASSY, INTAKE	1	
19	93210-46044-00	O-RING	3	
20	97885-06050-00	SCREW, PAN HEAD	4	
21	90209-06M05-00	WASHER	4	
22	6H1-14413-02-00	STAY	1	
23	6H1-85711-60-00	MARK, CAUTION	1	
24	6AH-81994-40-00	LABEL, SAFETY	1	

90TLR 0509 / CARBURETOR



©2014 Yamaha Motor Corporation, U.S.A. All rights reserved.


Part List

90TLR 0509 / CARBURETOR

REF - NO	PART NUMBER	PART NAME	QUANTITY	REMARKS
1	6H1-14301-30-00	CARBURETOR ASSY 1	1	
2	6H1-14302-30-00	CARBURETOR ASSY 2	1	
3	6H1-14303-30-00	CARBURETOR ASSY 3	1	
4	97980-04114-00	.SCREW, WITH WASHER	21	
5	63V-14523-00-00	.SCREW, STOP	1	#2
6	90501-10326-00	.SPRING, COMPRESSION	1	#2
7	6H2-14578-00-00	.COLLAR	1	#3
8	6H4-14146-20-00	.PLATE	2	#1,3
9	6H3-14146-20-00	.PLATE	1	#2
10	6H4-14147-00-00	.O-RING	3	
11	692-14923-00-00	.SCREW, PILOT	3	
12	697-14555-00-00	.SPRING	3	
13	93210-04228-00	.O-RING	3	
14	692-14590-01-00	.NEEDLE VALVE ASSY	3	
15	6H4-14548-00-00	.PIN, FLOAT ARM	3	
16	98580-04008-00	.SCREW, PAN HEAD	3	
17	663-14159-00-00	.CLIP	3	
18	676-14186-00-00	.PIN, FLOAT	3	
19	6H4-14985-01-00	.FLOAT	3	
20	6H1-14947-75-00	.JET, NEEDLE	3	
21	6H1-14943-39-00	.JET, MAIN (#160)	3	
22	676-14966-00-00	.CAP	3	
23	6H1-14948-18-00	.JET (#78)	3	
24	6H4-14984-00-00	.GASKET, FLOAT CHAMBER	3	
25	6H3-14992-00-00	.SCREW, DRAIN	3	
26	93210-04230-00	.O-RING	3	
27	6H4-14980-00-00	.BODY, FLOAT CHAMBER	2	#1,3
28	6H3-14980-10-00	.BODY, FLOAT CHAMBER	1	#2
29	6H3-24452-10-00	.COVER	1	#2
30	6H4-14567-00-00	.SCREW	4	#2
31	6H3-14137-00-00	.CLIP	2	#2
32	6H3-14349-00-00	.PIPE	1	#2
33	6H3-14380-00-00	.STARTER ASSY	1	#2
34	97803-04010-00	.SCREW, PAN HEAD	2	#2
35	95380-03600-00	.NUT	2	#2
36	98980-03006-00	.SCREW, BIND	2	#2
37	6L5-24421-00-00	.VALVE, CHECK	2	#2
38	6H4-24413-00-00	.BODY 2	1	#2
39	6H4-24486-00-00	.O-RING	1	#2
40	6H3-24411-10-00	.DIAPHRAGM	1	#2
41	6H3-24434-10-00	.GASKET, BODY	2	#2
42	67C-1432A-00-00	.PLUG	3	
43	90465-18147-00	CLAMP	1	
44	97013-06012-00	BOLT	1	
45	92903-06600-00	WASHER, PLATE	1	

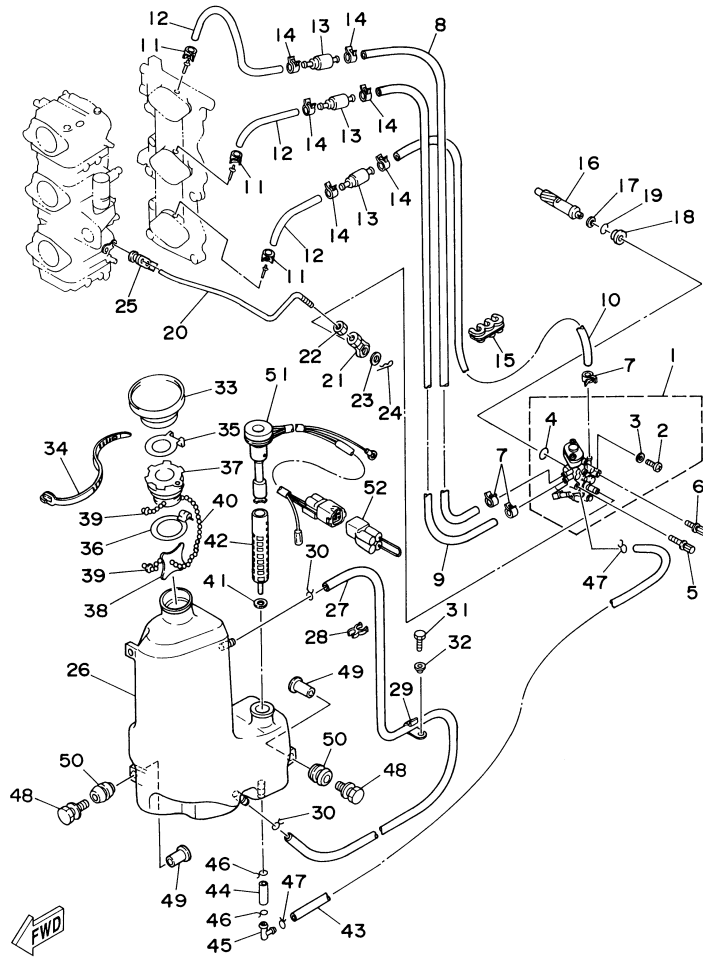
Part Notes

90TLR 0509 / CARBURETOR

PART NUMBER	NOTE TEXT
6H3-14380-00-00	 OEM: The O-Ring for sealing this part to the carburetor body is not shown separately. The Part Number for the O-Ring is 93210-17001-00.

©2014 Yamaha Motor Corporation, U.S.A. All rights reserved.

90TLR 0509 / OIL PUMP



6H10010-0060

©2014 Yamaha Motor Corporation, U.S.A. All rights reserved.


Part List

90TLR 0509 / OIL PUMP

REF - NO	PART NUMBER	PART NAME	QUANTITY	REMARKS
1	6H1-13200-02-00	OIL INJECTION PUMP ASSY	1	
2	6R3-13471-00-00	.PLUG, DRAIN	1	
3	6L2-13475-00-00	.GASKET	1	
4	93210-19MA7-00	.O-RING	1	
5	90109-06M39-00	BOLT	1	
6	90109-06M40-00	BOLT	1	
7	90468-07M02-00	CLIP	3	
8	90445-07M90-00	HOSE (L390)	1	
9	90445-07240-00	HOSE (L330)	1	
10	90445-07M44-00	HOSE (L250)	1	
11	90468-07M02-00	CLIP	3	
12	90445-07M87-00	HOSE (L110)	3	
13	6E9-13183-70-00	VALVE, CHECK	3	
14	90468-07M02-00	CLIP	6	
15	90464-07M05-00	CLAMP	1	
16	6H1-11537-01-00	GEAR, DRIVEN	1	
17	90201-08M93-00	WASHER, PLATE	1	
18	6H1-13117-01-00	COLLAR, DISTANCE	1	
19	93210-13M04-00	O-RING	1	
20	6H1-41241-02-00	ROD, LINK	1	
21	6H1-41237-00-00	JOINT, LINK	1	
22	95380-05600-00	NUT	1	
23	90202-05088-00	WASHER, PLATE	1	
24	90468-05M03-00	CLIP	1	
25	6E9-41237-00-00	JOINT, LINK	1	
26	6H1-21707-07-00	OIL TANK COMP.	1	
27	90445-11M09-00	HOSE (L600)	1	
28	90464-11M24-00	CLAMP	1	
29	90465-11M27-00	CLAMP	1	
30	90467-11M08-00	CLIP	2	
31	97095-06016-00	BOLT	1	
32	90387-06M31-00	.COLLAR	1	
33	6H1-21752-00-00	TUBE, FILLER 1	1	
34	90465-13M30-00	CLAMP	1	
35	63D-2176M-00-00	HOOK	1	
36	63D-2175R-00-00	HOOK, BAND	1	
37	6H4-21770-00-00	OIL TANK CAP ASSY	1	
38	6J8-21758-00-00	WASHER, SPECIAL 2	1	
39	6H1-21757-00-00	WASHER, SPECIAL 1	2	
40	6H1-24633-00-00	CHAIN, BALL	1	
41	6J8-13414-00-00	GASKET, STRAINER COVER	1	
42	6H1-13411-00-00	STRAINER, OIL	1	
43	6H1-21766-01-00	PIPE, OIL	1	
44	90445-08M01-00	HOSE (L30)	1	
45	6H1-13435-00-00	NIPPLE	1	
46	90467-12M11-00	CLIP	2	
47	90467-08004-00	CLIP	2	
48	90119-06M88-00	BOLT, WITH WASHER	3	
49	90387-06119-00	COLLAR	3	
50	6A0-82317-00-00	DAMPER, IGNITION COIL	3	
51	6H1-85720-16-00	OIL LEVEL GAUGE ASSY	1	
52	6R5-82582-B0-00	COVER, WIRE HARNESS	1	AP

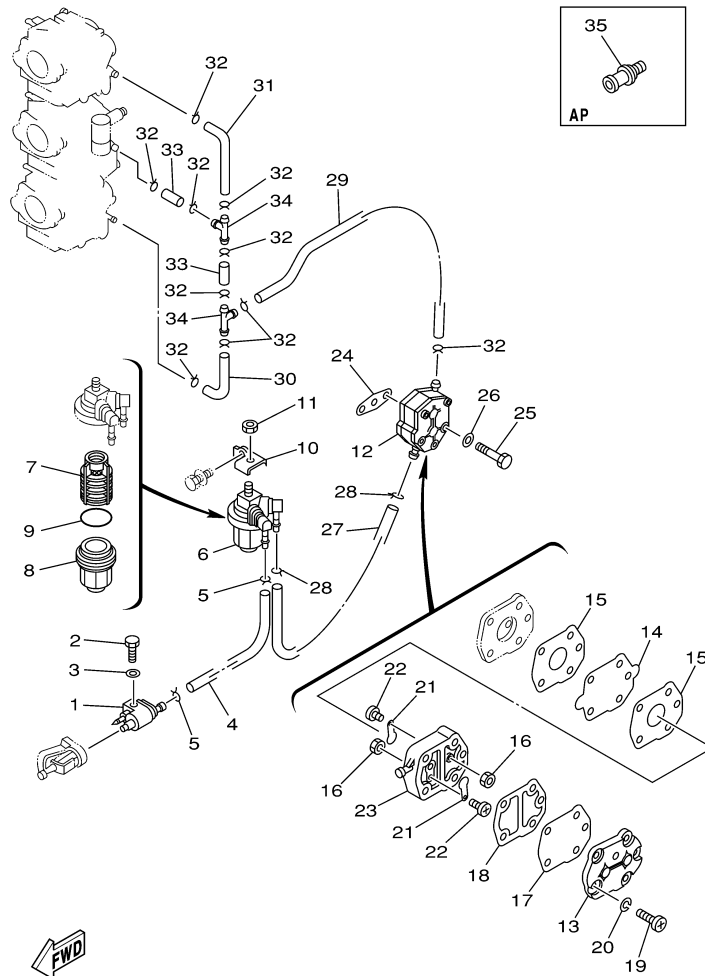
Part Notes

90TLR 0509 / OIL PUMP

PART NUMBER		NOTE TEXT
6H1-41237-00-00		OEM: This part number is among the Top 100 Most Popular Marine Maintenance Parts as of March 2014.

©2014 Yamaha Motor Corporation, U.S.A. All rights reserved.

90TLR 0509 / FUEL 1




6H10010-0070



Part List

90TLR 0509 / FUEL 1

REF - NO	PART NUMBER	PART NAME	QUANTITY	REMARKS
1	6G1-24304-02-00	FUEL PIPE JOINT COMP. 1	1	
2	97095-06020-00	BOLT	1	
3	92995-06600-00	WASHER	1	
4	90445-09104-00	HOSE (L300)	1	
5	90467-08004-00	CLIP	2	
6	61N-24560-00-00	FILTER ASSY	1	
7	61N-24563-00-00	.ELEMENT, FILTER	1	
8	61N-24521-00-00	.CUP, FILTER	1	
9	93210-32738-00	.O-RING	1	
10	6H1-24566-01-00	BRACKET, FILTER	1	
11	95380-08600-00	NUT	1	
12	692-24410-00-00	FUEL PUMP ASSY	1	
13	6A0-24413-00-00	.BODY 2	1	
14	692-24411-00-00	.DIAPHRAGM	1	
15	648-24434-01-00	.GASKET, BODY	2	
16	95380-03600-00	.NUT	2	
17	663-24411-00-00	.DIAPHRAGM	1	
18	648-24435-02-00	.GASKET, BODY 2	1	
19	98503-05028-00	.SCREW, PAN HEAD	3	
20	92990-05100-00	.WASHER, SPRING	3	
21	6A0-24421-01-00	.VALVE, CHECK	2	
22	6A0-14325-00-00	.SCREW, PAN HEAD	2	
23	6A0-24412-02-00	.BODY 1	1	
24	650-24431-A0-00	GASKET, FUEL PUMP 1	1	
25	97095-06040-00	.BOLT	2	
26	92995-06600-00	WASHER	2	
27	6H1-24314-00-00	PIPE 4	1	
28	90467-08004-00	CLIP	2	
29	90445-09097-00	HOSE (L250)	1	
30	688-24313-00-00	PIPE 3	1	
31	688-24314-00-00	PIPE 4	1	
32	90467-08004-00	CLIP	10	
33	90445-09220-00	HOSE (L30)	2	
34	688-24378-00-00	PIPE, JOINT 3	2	
35	6E0-28193-00-94	PLUG, WATER CHECK	1	AP D:12.5MM

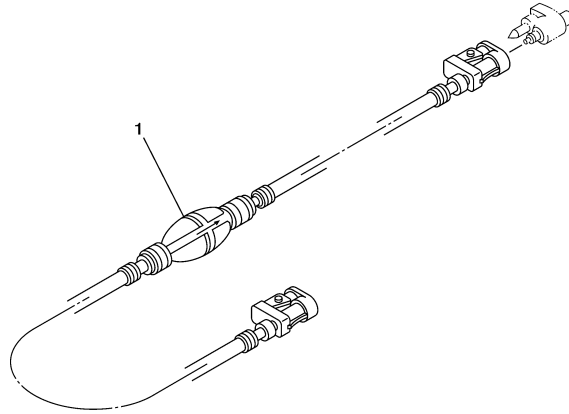
Part Notes

90TLR 0509 / FUEL 1

PART NUMBER		NOTE TEXT
692-24410-00-00		OEM: This part number is among the Top 100 Most Popular Marine Maintenance Parts as of March 2014.
650-24431-A0-00		OEM: This part number is among the Top 100 Most Popular Marine Maintenance Parts as of March 2014.

©2014 Yamaha Motor Corporation, U.S.A. All rights reserved.

90TLR 0509 / FUEL 2



6BP1110-H100

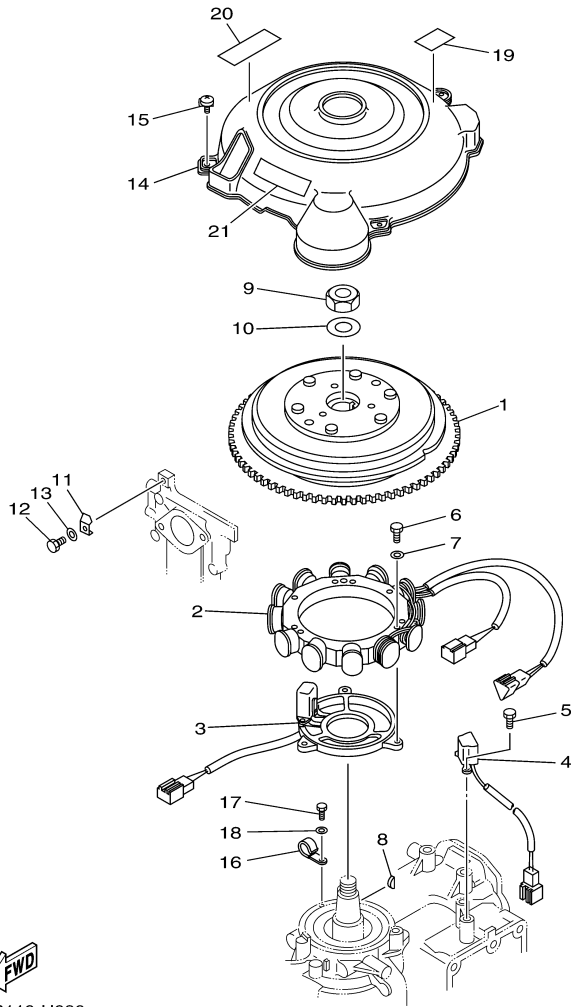
©2014 Yamaha Motor Corporation, U.S.A. All rights reserved.

Part List

90TLR 0509 / FUEL 2

REF - NO	PART NUMBER	PART NAME	QUANTITY	REMARKS
1	6YK-24306-60-00	FUEL PIPE COMP. 1	1	AP

90TLR 0509 / GENERATOR



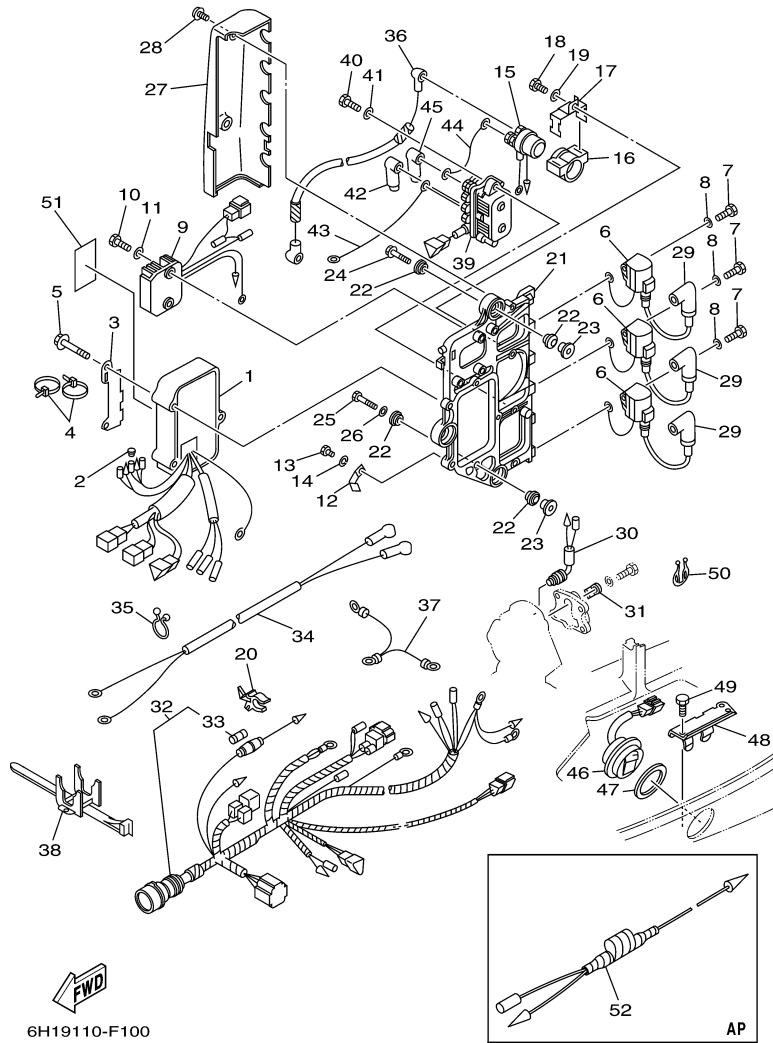
©2014 Yamaha Motor Corporation, U.S.A. All rights reserved.

Part List

90TLR 0509 / GENERATOR

REF - NO	PART NUMBER	PART NAME	QUANTITY	REMARKS
1	6H0-85550-00-00	ROTOR ASSY	1	
2	6H0-85510-03-00	STATOR ASSY	1	
3	6H0-85580-01-00	COIL, PULSER	1	
4	6H2-85895-01-00	CRANK POSITION SENDER	1	
5	97095-05012-00	BOLT	2	
6	97095-06040-00	.BOLT	3	
7	92995-06600-00	WASHER	3	
8	90280-05015-00	KEY, WOODRUFF	1	
9	90170-20137-00	NUT	1	
10	90201-21M18-00	WASHER, PLATE	1	
11	688-81332-01-00	PLATE, TIMING	1	
12	97095-06010-00	BOLT	1	
13	92995-06600-00	WASHER	1	
14	6H1-81337-01-00	COVER, FLYWHEEL	1	
15	90159-06M20-00	SCREW, WITH WASHER	3	
16	90465-06M90-00	CLAMP	1	
17	97095-06012-00	BOLT	1	
18	92995-06600-00	WASHER	1	
19	6H1-14488-00-00	LABEL, CAUTION	1	
20	6AH-81995-40-00	LABEL, WARNING	1	
21	6AG-81996-00-00	MARK	1	

90TLR 0509 / ELECTRICAL



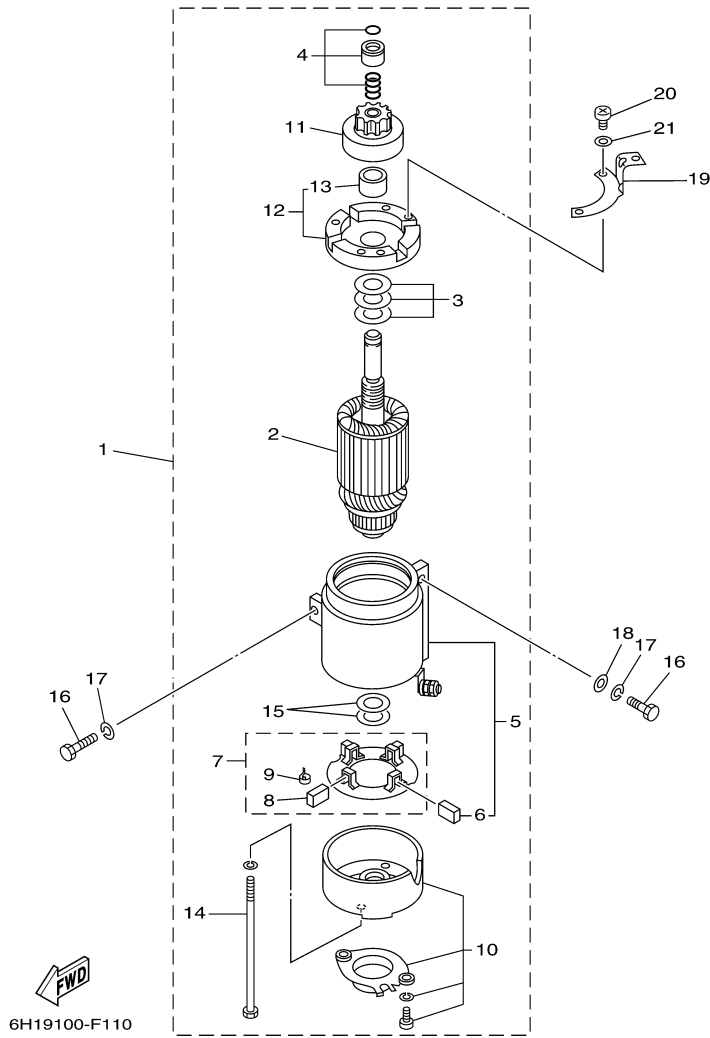
6H19110-F100

Part List

90TLR 0509 / ELECTRICAL

REF - NO	PART NUMBER	PART NAME	QUANTITY	REMARKS
1	6H0-85540-07-00	C.D.I. UNIT ASSY	1	
2	703-82119-00-00	COVER, LEAD WIRE	1	
3	6H1-85542-10-00	BRACKET	1	
4	90465-13M11-00	CLAMP	2	
5	97595-06550-00	BOLT, WITH WASHER	3	
6	697-85570-00-00	IGNITION COIL ASSY	3	
7	97013-06020-00	BOLT	3	
8	92903-06600-00	WASHER, PLATE	3	
9	6H0-81960-10-00	RECTIFIER & REGULATOR ASSY	1	
10	97095-06020-00	BOLT	2	
11	92995-06600-00	WASHER	2	
12	90465-08M23-00	CLAMP	1	
13	97095-06012-00	BOLT	1	
14	92995-06100-00	WASHER, SPRING	1	
15	6G1-81941-10-00	STARTER RELAY ASSY	1	
16	6G1-81952-00-00	HOLDER, RELAY	1	
17	6E9-81945-70-00	PLATE, SWITCH FITTING	1	
18	97013-06016-00	BOLT	1	
19	92903-06600-00	WASHER, PLATE	1	
20	6G5-82152-00-00	HOLDER, FUSE	1	
21	6H1-85542-00-94	BRACKET	1	
22	90480-09M25-00	GROMMET	6	
23	90387-06M03-00	COLLAR	3	
24	90119-06M75-00	BOLT, WITH WASHER	2	
25	90109-06M39-00	BOLT	1	
26	90201-06M31-00	.WASHER, PLATE	1	
27	6H1-81916-00-00	COVER, TERMINAL	1	
28	90159-06M11-00	SCREW, WITH WASHER	2	
29	6E3-82370-21-00	PLUG CAP ASSY	3	
30	688-82560-10-00	THERMO SWITCH ASSY	1	
31	688-82588-01-00	PLATE	1	
32	6H0-82590-80-00	WIRE HARNESS ASSY (10P)	1	
33	663-82151-00-00	.FUSE (12V-20A)	1	
34	6H0-82105-J1-00	BATTERY CABLE	1	
35	90464-23M22-00	CLAMP	1	
36	6H0-82117-00-00	WIRE, LEAD	1	
37	697-82519-00-00	WIRE, EARTH LEAD	1	
38	688-82594-00-00	CLAMP	1	
39	61A-81950-00-00	RELAY ASSY	1	
40	97095-06025-00	BOLT	2	
41	92995-06600-00	WASHER	2	
42	682-82119-01-00	COVER, LEAD WIRE	2	
43	6H0-81949-10-00	WIRE, LEAD	1	
44	6H0-81949-01-00	WIRE, LEAD	1	
45	682-82119-01-00	COVER, LEAD WIRE	1	
46	6H1-82563-10-00	TRIM & TILT SWITCH ASSY	1	
47	6E5-82587-00-00	GASKET	1	
48	6H1-83614-00-00	BRACKET	1	
49	97095-06016-00	BOLT	1	
50	90464-18M14-00	CLAMP	1	
51	6R5-85711-60-00	MARK, CAUTION	1	
52	6H4-81315-11-00	LEAD WIRE ASSY	1	AP

90TLR 0509 / STARTING MOTOR



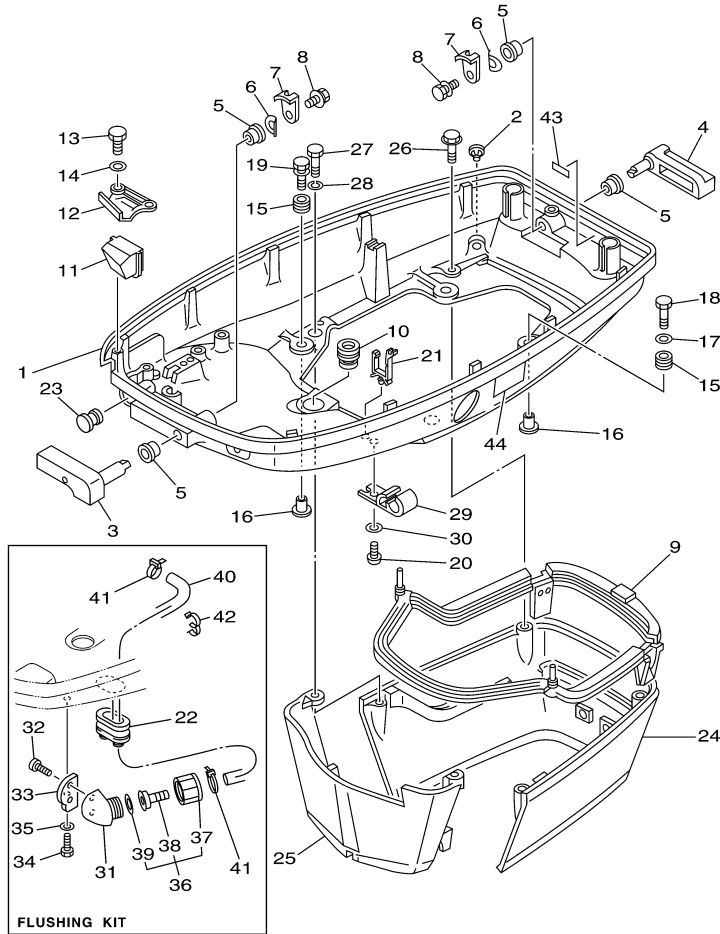
©2014 Yamaha Motor Corporation, U.S.A. All rights reserved.

Part List

90TLR 0509 / STARTING MOTOR

REF - NO	PART NUMBER	PART NAME	QUANTITY	REMARKS
1	688-81800-12-00	STARTING MOTOR ASSY	1	
2	676-81850-11-00	.ARMATURE ASSY	1	
3	676-81809-10-00	.WASHER KIT	1	
4	676-81857-10-00	.PINION STOPPER SET	1	
5	688-81810-11-00	.STATOR ASSY	1	
6	663-81811-11-00	..BRUSH 1	2	
7	663-81840-11-00	.BRUSH HOLDER ASSY	1	
8	663-81812-11-00	..BRUSH 2	2	
9	663-81813-10-00	..SPRING, BRUSH	4	
10	663-81820-12-00	.REAR BRACKET ASSY	1	
11	663-81832-11-00	.PINION ASSY	1	
12	688-81830-11-00	.FRONT BRACKET ASSY	1	
13	688-81831-00-00	..METAL, FRONT	1	
14	663-81826-10-00	.BOLT	2	
15	688-81824-00-00	.WASHER 2	2	
16	97013-08030-00	BOLT	3	
17	92903-08100-00	WASHER, SPRING	3	
18	92990-08600-00	..WASHER, PLATE	2	
19	6H1-15771-00-00	STAY 1	1	
20	97885-04010-00	SCREW, PAN HEAD	3	
21	92995-04600-00	WASHER	3	

90TLR 0509 / BOTTOM COWLING



6H1C110-J120

©2014 Yamaha Motor Corporation, U.S.A. All rights reserved.


Part List

90TLR 0509 / BOTTOM COWLING

REF - NO	PART NUMBER	PART NAME	QUANTITY	REMARKS
1	6H1-42711-10-8D	COWLING, BOTTOM 1	1	FLUSHING KIT
2	6BL-44391-00-00	NIPPLE, HOSE	1	
3	688-42815-01-8D	LEVER, CLAMP	1	
4	688-42817-01-8D	LEVER, CLAMP	1	
5	90386-13M38-00	BUSH	4	
6	90206-13019-00	WASHER, WAVE	2	
7	688-42816-00-00	LEVER, CLAMP 2	2	
8	90119-06M09-00	BOLT, WITH WASHER	2	
9	688-42716-02-00	RUBBER, SEAL 1	1	
10	663-42724-00-00	GROMMET	1	
11	688-42725-20-00	GROMMET	1	
12	688-42738-01-8D	PLATE, FITTING	1	
13	97095-06016-00	BOLT	2	
14	92995-06600-00	WASHER	2	
15	6BG-42748-00-00	GROMMET	4	
16	90387-06M69-00	COLLAR	4	
17	90201-06416-00	WASHER, PLATE	1	
18	97095-06030-00	BOLT	1	
19	90119-06M61-00	BOLT, WITH WASHER	3	
20	90157-06M01-00	SCREW, PAN HEAD	1	
21	90464-15M08-00	CLAMP	1	
22	6H1-42726-21-00	GROMMET	1	FLUSHING KIT
23	6G1-42748-00-00	GROMMET	1	
24	688-42741-01-8D	APRON	1	
25	688-42771-01-8D	APRON	1	
26	97595-06420-00	BOLT, WITH WASHER	2	
27	97095-06030-00	BOLT	2	
28	92995-06100-00	WASHER, SPRING	2	
29	6E5-24367-01-00	CLAMP, FUEL PIPE 2	1	
30	92990-06600-00	WASHER, PLATE	1	
31	68T-12572-00-00	ADAPTER	1	FLUSHING KIT
32	90167-06002-00	SCREW, TAPPING	2	FLUSHING KIT
33	6H1-12535-00-00	PLATE	1	FLUSHING KIT
34	97095-06020-00	BOLT	1	FLUSHING KIT
35	92995-06600-00	WASHER	1	FLUSHING KIT
36	6R3-12580-00-00	JOINT ASSY	1	FLUSHING KIT
37	6R3-12581-00-00	.JOINT, HOSE 1	1	
38	6R3-12582-00-00	.JOINT, HOSE 2	1	
39	6R3-12583-00-00	.GASKET, HOSE JOINT	1	
40	6H1-24312-01-00	PIPE 2	1	FLUSHING KIT
41	90465-11M10-00	CLAMP	2	FLUSHING KIT
42	90464-09M31-00	CLAMP	1	FLUSHING KIT
43	6G5-42791-00-00	MARK 1	1	
44	6AH-42794-40-00	LABEL, WARNING (GENERAL)	1	

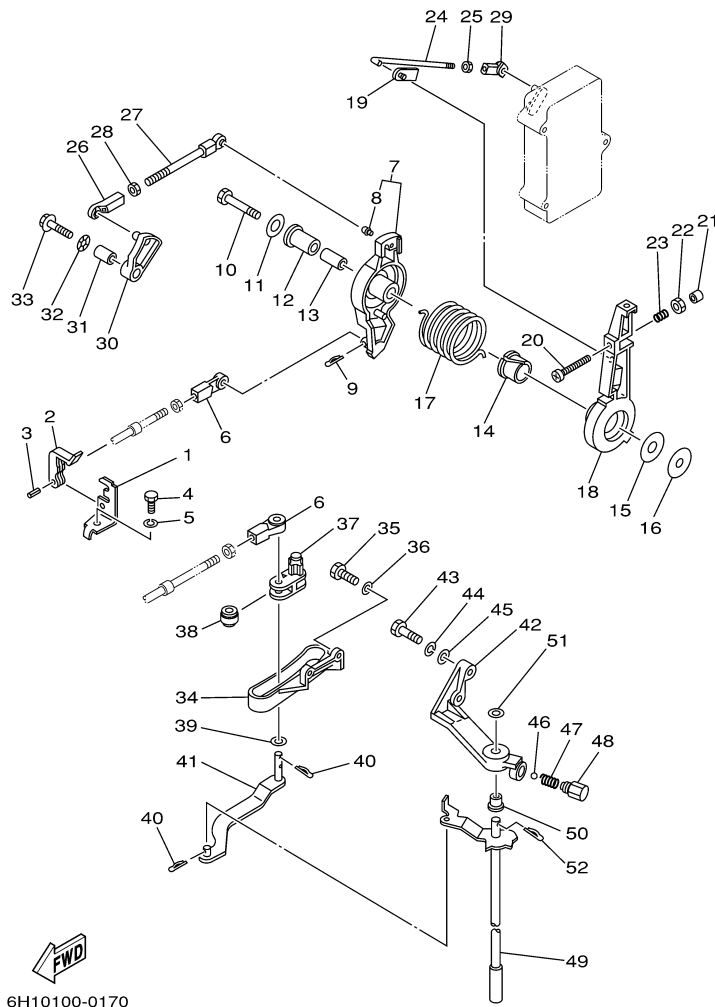
Part Notes

90TLR 0509 / BOTTOM COWLING

PART NUMBER	NOTE TEXT
92990-06600-00 	OEM: This part number is among the Top 100 Most Popular Marine Maintenance Parts as of March 2014.

©2014 Yamaha Motor Corporation, U.S.A. All rights reserved.

90TLR 0509 / CONTROL



6H110100-0170

©2014 Yamaha Motor Corporation, U.S.A. All rights reserved.




Part List

90TLR 0509 / CONTROL

REF - NO	PART NUMBER	PART NAME	QUANTITY	REMARKS
1	663-48531-00-00	BRACKET, REMOTE CONTROL	1	
2	663-48538-00-00	CLAMP, CABLE 1	1	
3	91690-30012-00	.PIN, SPRING	1	
4	97095-08016-00	BOLT	1	
5	92995-08100-00	WASHER	1	
6	663-48344-00-00	.CABLE END, REMOTE CONTROL	2	
7	688-41632-01-1S	LEVER, MAGNETO CONTROL	1	
8	662-41214-01-00	.JOINT 1	1	
9	90468-18008-00	CLIP	1	
10	97095-08045-00	.BOLT	1	
11	90201-08M23-00	WASHER, PLATE	1	
12	90386-12089-00	BUSH	1	
13	90387-08M16-00	COLLAR	1	
14	90386-22M13-00	BUSH	1	
15	90202-12092-00	WASHER, PLATE	1	
16	90201-08M13-00	WASHER, PLATE	1	
17	90508-29M05-00	SPRING, TORSION	1	
18	688-41631-01-1S	LEVER, MAGNETO CONTROL	1	
19	6F5-41237-00-00	JOINT, LINK	1	
20	90157-06013-00	SCREW, PAN HEAD	1	
21	688-44194-00-00	CAP	1	
22	95303-06600-00	.NUT	1	
23	90501-16M12-00	SPRING, COMPRESSION	1	
24	6H1-41636-00-00	ROD, MAGNETO CONTROL	1	
25	95380-05600-00	NUT	1	
26	662-41237-01-00	JOINT, LINK	1	
27	688-41211-01-00	LINK, ACCEL.	1	
28	95380-05600-00	NUT	1	
29	682-41237-00-00	JOINT, LINK	1	
30	6H1-41213-00-00	CAM, ACCEL.	1	
31	90387-06M17-00	COLLAR	1	
32	90206-10M04-00	WASHER, WAVE	1	
33	90119-06M24-00	BOLT, WITH WASHER	1	
34	688-44117-00-94	BRACKET	1	
35	97013-06020-00	BOLT	2	
36	92903-06600-00	WASHER, PLATE	2	
37	688-44124-00-00	LINK, SHIFT ROD	1	
38	688-44122-00-00	BUSHING, SHIFT ROD LEVER	1	
39	90202-07M07-00	WASHER, PLATE	1	
40	90468-18008-00	CLIP	3	
41	6H1-44121-00-00	LEVER, SHIFT ROD	1	
42	688-44118-01-94	BRACKET	1	
43	97013-08030-00	BOLT	2	
44	92903-08100-00	WASHER, SPRING	2	
45	92903-08600-00	WASHER, PLATE	2	
46	93501-04M02-00	BALL	1	
47	90501-12082-00	SPRING, COMPRESSION	1	
48	648-42715-00-00	BUSHING	1	
49	6H1-44120-12-00	HANDLE GEAR SHIFT ASSY	1	L(20.3")
50	90386-07M58-00	BUSH	1	
51	92990-08200-00	WASHER, PLAIN	1	
52	90468-18008-00	CLIP	1	

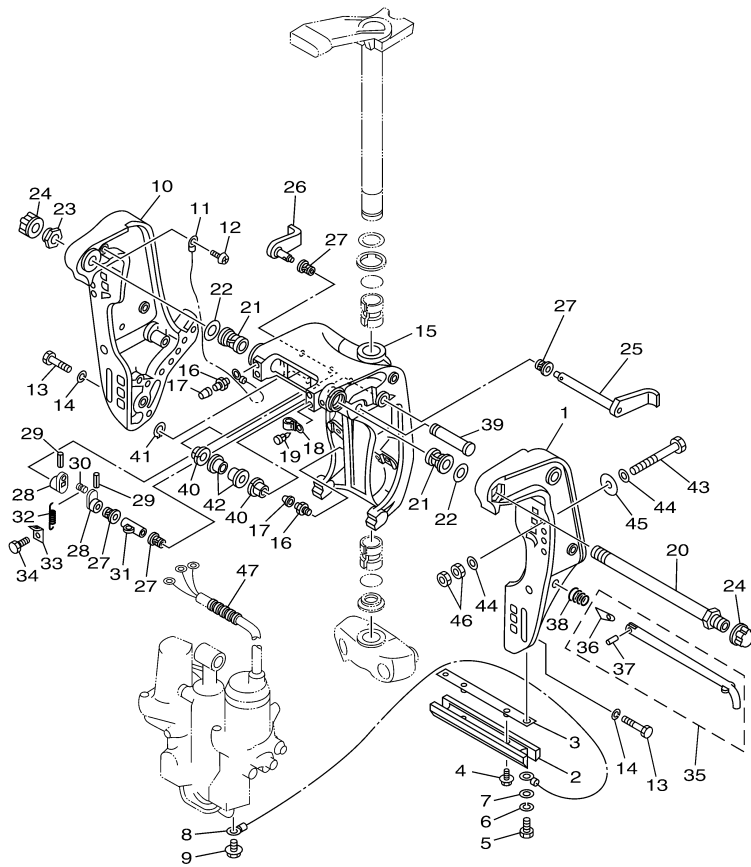
Part Notes

90TLR 0509 / CONTROL

PART NUMBER		NOTE TEXT
90468-18008-00		OEM: This part number is among the Top 100 Most Popular Marine Maintenance Parts as of March 2014.
90468-18008-00		OEM: This part number is among the Top 100 Most Popular Marine Maintenance Parts as of March 2014.
90468-18008-00		OEM: This part number is among the Top 100 Most Popular Marine Maintenance Parts as of March 2014.

©2014 Yamaha Motor Corporation, U.S.A. All rights reserved.

90TLR 0509 / BRACKET 1



6H19110-F140

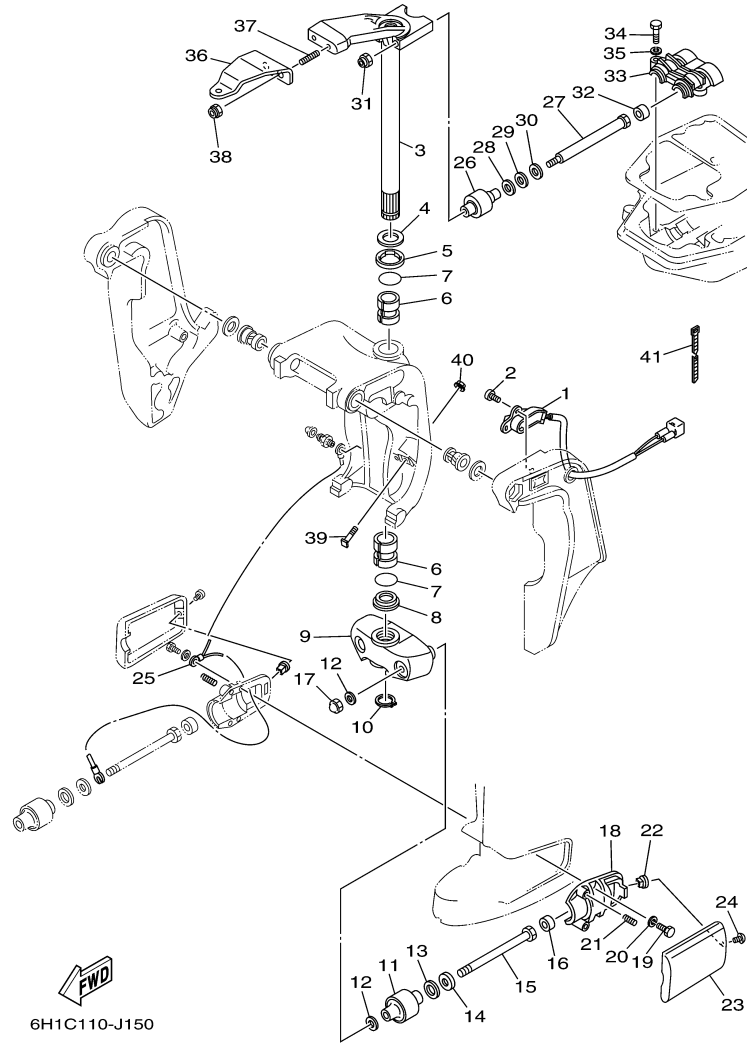
©2014 Yamaha Motor Corporation, U.S.A. All rights reserved.

Part List

90TLR 0509 / BRACKET 1

REF - NO	PART NUMBER	PART NAME	QUANTITY	REMARKS
1	6H1-43111-01-8D	BRACKET, CLAMP 1	1	
2	6H1-45251-03-00	ANODE	1	
3	6H1-44526-00-00	PLATE	1	
4	90119-06M29-00	BOLT, WITH WASHER	2	
5	97095-06016-00	BOLT	2	
6	92995-06100-00	WASHER, SPRING	2	
7	92995-06600-00	WASHER	2	
8	6H1-82148-00-00	WIRE, LEAD 4	1	
9	97595-06510-00	BOLT, WITH WASHER	1	
10	6H1-43112-00-8D	BRACKET, CLAMP 2	1	
11	6E5-82148-00-00	WIRE, LEAD 4	1	
12	97880-06012-00	SCREW, PAN HEAD	1	
13	97095-10045-00	BOLT	6	
14	92995-10100-00	WASHER	6	
15	6H1-43311-02-8D	BRACKET, SWIVEL 1	1	
16	93700-06M03-00	NIPPLE, GREASE	3	
17	663-45119-00-00	CAP, GREASE NIPPLE	3	
18	90464-11M18-00	CLAMP	1	
19	90338-05M03-00	PLUG	1	
20	688-43131-03-00	BOLT, CLAMP BRACKET	1	
21	90386-22M15-00	BUSH	2	
22	90201-22M67-00	WASHER, PLATE	2	
23	90185-22M11-00	NUT, SELF-LOCKING	1	
24	6G5-43145-01-00	CAP, CLAMP BRACKET	2	
25	6H1-43181-01-00	LEVER, TILT STOP	1	
26	6H1-43185-01-00	LEVER, TILT STOP	1	
27	90386-10M16-00	BUSH	4	
28	6G5-43148-00-00	COLLAR, DISTANCE	2	
29	91690-30020-00	PIN, SPRING	2	
30	90249-06M19-00	PIN	1	
31	90387-10M02-00	COLLAR	1	
32	90506-14M24-00	SPRING, TENSION	1	
33	6G5-43144-00-00	HOOK, SPRING	1	
34	97095-06010-00	BOLT	1	
35	688-43160-01-00	TILT ROD ASSY	1	
36	688-43165-00-00	.PLATE, TILT LOCK	1	
37	91690-30012-00	.PIN, SPRING	1	
38	90502-16M02-00	SPRING, CONICAL	1	
39	6E5-43126-02-00	PIN, UPPER SHOCK MOUNT	1	
40	90386-18M35-00	BUSH	2	
41	93410-18M02-00	CIRCLIP	1	
42	90386-18M63-00	BUSH	2	
43	90101-12M65-00	BOLT	4	
44	92995-12200-00	WASHER	8	
45	90201-12426-00	WASHER, PLATE	4	
46	95380-12600-00	NUT	8	
47	90440-14M00-00	PIPE	1	

90TLR 0509 / BRACKET 2



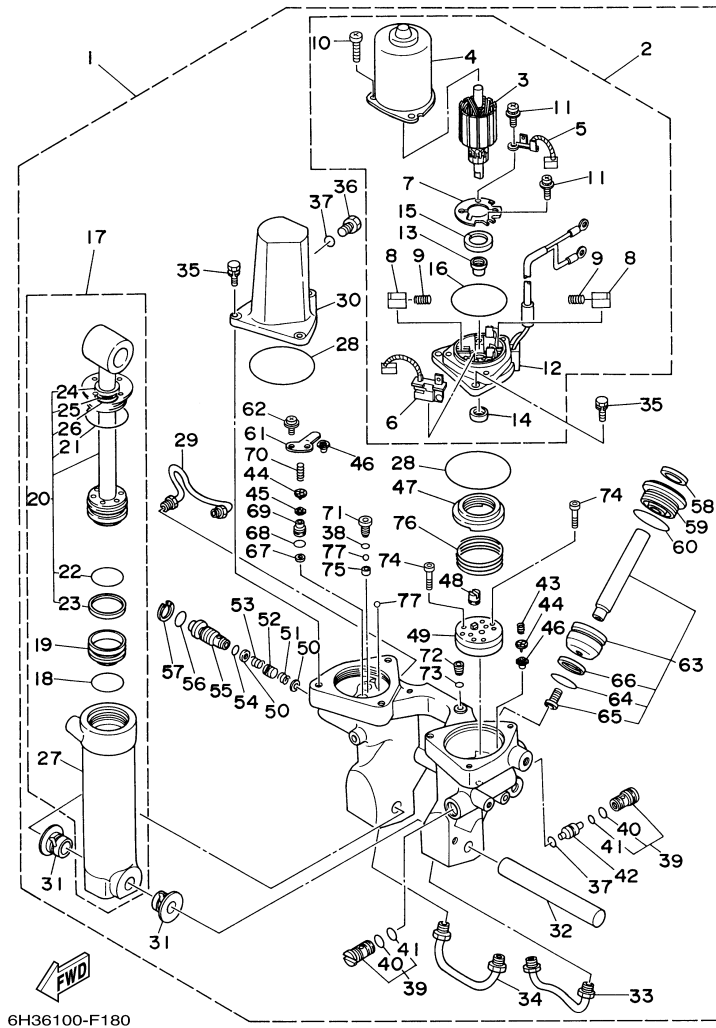
©2014 Yamaha Motor Corporation, U.S.A. All rights reserved.

Part List

90TLR 0509 / BRACKET 2

REF - NO	PART NUMBER	PART NAME	QUANTITY	REMARKS
1	6H1-83672-21-00	TRIM SENDER	1	
2	97885-06016-00	SCREW, PAN HEAD	2	
3	688-42510-03-8D	STEERING BRACKET ASSY	1	
4	90201-30M00-00	WASHER, PLATE	1	
5	90386-30M78-00	BUSH	1	
6	90386-30M77-00	BUSH	2	
7	93210-29M94-00	O-RING	2	
8	90386-30M60-00	BUSH	1	
9	663-44551-02-8D	HOUSING, LOWER MOUNT RUBBER	1	
10	93410-28M06-00	CIRCLIP	1	
11	687-44555-00-94	MOUNT DAMPER, LOWER SIDE	2	
12	90201-12M16-00	WASHER, PLATE	4	
13	90202-25M04-00	WASHER, PLATE	2	
14	90201-13M19-00	WASHER, PLATE	2	
15	90109-12261-00	BOLT	2	
16	663-44575-00-00	DAMPER, LOWER MOUNT RUBBER	2	
17	95380-12800-00	NUT, CROWN	2	
18	687-44552-02-94	HOUSING, LOWER MOUNT RUBBER	2	
19	97075-08025-00	BOLT	4	
20	92995-08100-00	WASHER	4	
21	90501-14M08-00	SPRING, COMPRESSION	4	
22	90179-06066-00	NUT	2	
23	663-44553-01-8D	COVER, LOWER MOUNT	2	
24	97885-06016-00	SCREW, PAN HEAD	2	
25	688-82127-02-00	WIRE, LEAD 2	1	
26	688-44514-00-94	MOUNT DAMPER, UPPER SIDE	2	
27	90101-10M49-00	BOLT	2	
28	90201-20M21-00	WASHER, PLATE	2	
29	90202-20M06-00	WASHER, PLATE	2	
30	90201-11M22-00	WASHER, PLATE	2	
31	90185-10051-00	NUT, SELF-LOCKING	2	
32	663-44575-00-00	DAMPER, LOWER MOUNT RUBBER	2	
33	688-44511-00-94	COVER, UPPER MOUNT	1	
34	97075-08035-00	BOLT	3	
35	92995-08100-00	WASHER	3	
36	688-48511-30-00	HOOK, STEERING	1	STEERING GUIDE
37	90116-10175-00	BOLT, STUD	2	
38	90185-10051-00	NUT, SELF-LOCKING	2	
39	6H1-43376-00-00	BOLT, THRUST RECEIVER	2	
40	90185-08057-00	NUT, SELF-LOCKING	2	
41	90465-11M10-00	CLAMP	3	

90TLR 0509 / POWER TRIM & TILT ASSY



©2014 Yamaha Motor Corporation, U.S.A. All rights reserved.

Part List



90TLR 0509 / POWER TRIM & TILT ASSY

REF - NO	PART NUMBER	PART NAME	QUANTITY	REMARKS
1	6H1-43800-17-8D	POWER TRIM & TILT ASSY	1	
2	6H1-43880-02-00	..MOTOR ASSY	1	
3	6H1-43805-10-00	..ARMATURE ASSY	1	
4	6H1-43804-10-00	..STATOR ASSY	1	
5	6H1-43891-10-00	..BRUSH 1	1	
6	6H1-43892-10-00	..BREAKER COMP (BRUSH 2)	1	
7	6H1-4380F-10-00	..PLATE, BRUSH HOLDER	1	
8	6H1-4380J-10-00	..HOLDER, BRUSH	2	
9	6H1-4386K-10-00	..SPRING, BRUSH	2	
10	97885-05016-00	..SCREW, PAN HEAD	3	
11	97607-04310-00	..SCREW, WITH WASHER	2	
12	6H1-43881-10-00	..FRAME, END	1	
13	6H1-4380H-10-00	..METAL	1	
14	93102-08M43-00	..OIL SEAL	1	
15	6H1-4380G-10-00	..PLATE	1	
16	6H1-43865-10-00	..O-RING	1	
17	6H1-43840-11-00	..POWER TILT ASSY	1	
18	6H1-43861-10-00	..O-RING	1	
19	6H1-43814-11-00	..PISTON, FREE	1	
20	6H1-43810-11-00	..TILT PISTON SUB ASSY	1	
21	6H1-43861-00-00	...O-RING	1	
22	6H1-43861-10-00	...O-RING	1	
23	6H1-43871-10-00	...RING, BACK UP	1	
24	6H1-43812-00-00	...SEAL, DUST	1	
25	6H1-43872-10-00	...RING, BACK UP	1	
26	93210-18397-00	...O-RING	1	
27	6H1-43813-10-00	..CYLINDER, TILT	1	
28	93210-68N50-00	..O-RING	2	
29	6H1-43835-10-00	..PIPE	1	
30	6H1-43828-10-00	..BODY, RESERVOIR	1	
31	90386-18M14-00	..BUSH	2	
32	6E5-43818-00-00	..PIN, LOWER SHOCK MOUNT	1	
33	6H1-43833-10-00	..PIPE	1	
34	6H1-43834-00-00	..PIPE	1	
35	97595-06420-00	..BOLT, WITH WASHER	6	
36	6H1-43829-00-00	..PLUG, RESERVOIR	1	
37	93210-09165-00	..O-RING	2	
38	93210-064A5-00	..O-RING	1	
39	67F-43802-00-00	..VALVE SUB ASSY	2	
40	6H1-43866-00-00	..O-RING	1	
41	6H1-43867-00-00	..O-RING	1	
42	6H1-43841-11-00	..PISTON, SHUTTLE	1	
43	6H1-43856-10-00	..SPRING, DOWN RELIEF	1	
44	6H1-43844-10-00	..PIN, VALVE SUPPORT	2	
45	6H1-4384G-11-00	..SEAL, RELIEF VALVE	1	
46	6H1-4384F-10-00	..SEAL, MAIN VALVE	2	
47	6H1-43817-01-00	..FILTER 2	1	
48	6H1-43831-10-00	..CONNECTOR, SHAFT	1	
49	6H1-43830-11-00	..GEAR PUMP ASSY	1	
50	6H1-43847-00-00	..SEAT, MANUAL VALVE	2	
51	6H1-43899-00-00	..SPRING, MANUAL RELEASE	1	
52	6H1-4382A-10-00	..ADAPTOR 1	1	
53	6H1-43854-00-00	..SPRING, MANUAL RELEASE	1	
54	93210-10M74-00	..O-RING	1	

55	6H1-43845-00-00	.SCREW, MANUAL RELEASE	1	
56	93210-18M75-00	.O-RING	1	
57	6H1-43875-00-00	.RING, SNAP	1	
58	6H1-43822-10-00	.SEAL, TRIM DUST	2	
59	6H1-43821-11-00	.SCREW, TRIM CYLINDER END	2	
60	6H1-43861-10-00	.O-RING	2	
61	6H1-4384E-20-00	.SPRING, TRIM	1	
62	97602-05210-00	.SCREW, PAN HEAD WITH WASHER	2	
63	6H1-43820-11-00	.TRIM PISTON SUB ASSY	2	
64	6H1-43864-00-00	.O-RING	1	
65	91318-08016-00	.BOLT, SOCKET HEAD	1	
66	6H1-43874-00-00	.RING, BACK UP	1	
67	6H1-43816-00-00	.FILTER 1	1	
68	6H1-43896-00-00	.O-RING	1	
69	6H1-43895-12-00	.SEAT, RELIEF VALVE	1	
70	6H1-43855-11-00	.SPRING, UP RELIEF	1	
71	6H1-43843-11-00	.SCREW, VALVE LOCK	1	
72	6H1-4388E-11-00	.PLUG, TAPER SCREW	1	
73	6H1-43868-00-00	.O-RING	1	
74	91318-04025-00	.BOLT	4	
75	6H1-4387J-00-00	.WASHER, SPECIAL 2	1	
76	6H1-4385H-00-00	.SPRING, SEAL	1	
77	93505-32038-00	.BALL	2	

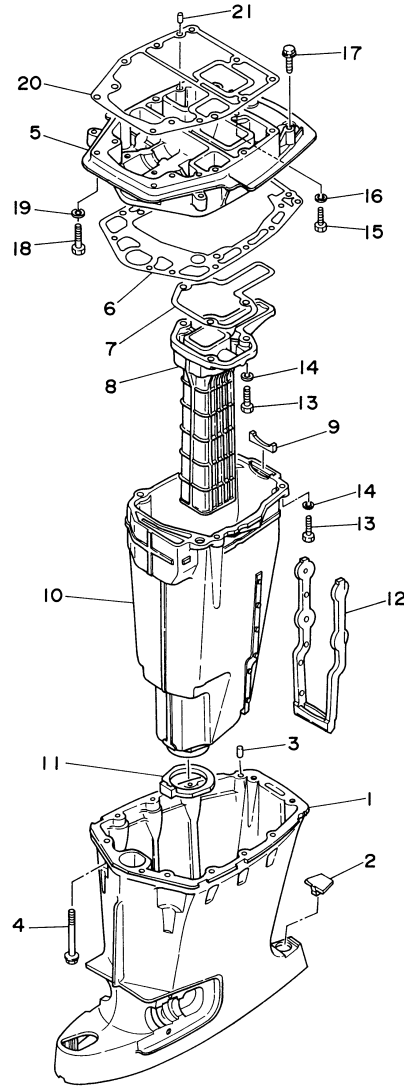
Part Notes

90TLR 0509 / POWER TRIM & TILT ASSY

PART NUMBER		NOTE TEXT
6H1-43861-10-00		OEM: This part number is among the Top 100 Most Popular Marine Maintenance Parts as of March 2014.
6H1-43861-10-00		OEM: This part number is among the Top 100 Most Popular Marine Maintenance Parts as of March 2014.
6H1-43861-10-00		OEM: This part number is among the Top 100 Most Popular Marine Maintenance Parts as of March 2014.

©2014 Yamaha Motor Corporation, U.S.A. All rights reserved.

90TLR 0509 / UPPER CASING




6H10110-4190

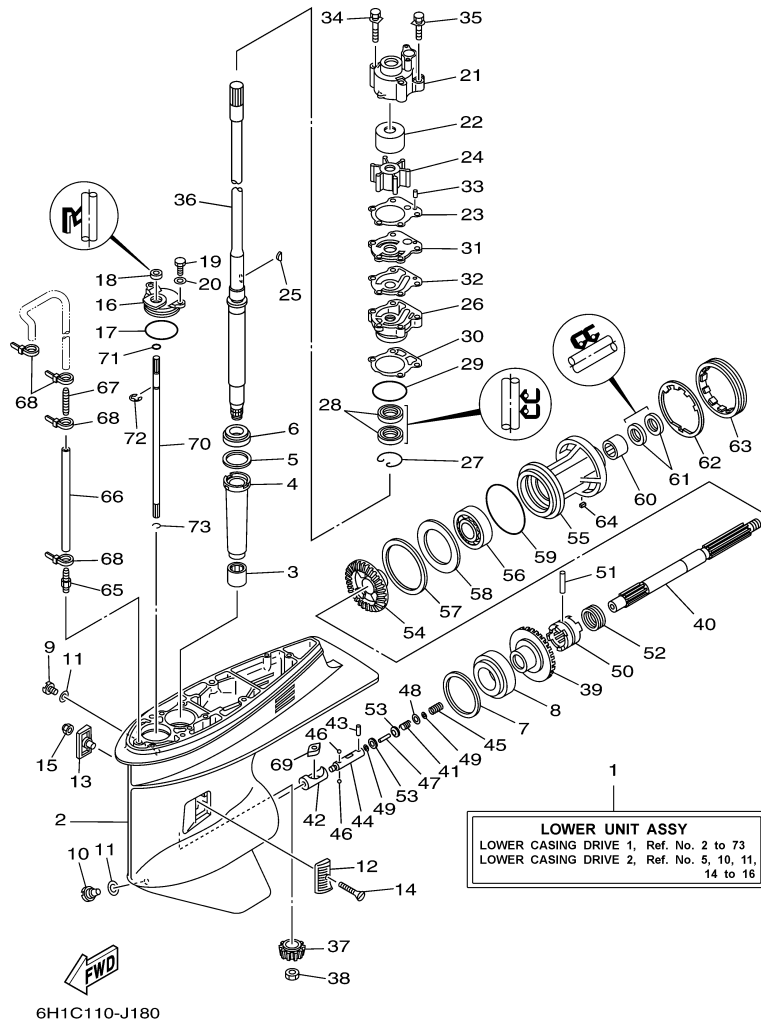
©2014 Yamaha Motor Corporation, U.S.A. All rights reserved.

Part List

90TLR 0509 / UPPER CASING

REF - NO	PART NUMBER	PART NAME	QUANTITY	REMARKS
1	688-45111-04-8D	CASING, UPPER	1	
2	663-45155-10-00	CAP	1	
3	93606-12019-00	.PIN, DOWEL	2	
4	90119-08M80-00	BOLT, WITH WASHER	8	
5	688-41137-03-CA	GUIDE, EXHAUST	1	
6	688-45114-A1-00	GASKET, UPPER CASING	1	
7	688-41134-A0-00	GASKET, EXHAUST MANIFOLD	1	
8	688-41131-00-CA	MANIFOLD, EXT. 1	1	
9	688-41133-00-00	GASKET, EXHAUST MANIFOLD 1	1	
10	688-14711-01-CA	MUFFLER 1	1	
11	688-45123-00-00	GASKET, MUFFLER	1	
12	663-14737-10-00	DAMPER, MUFFLER	1	
13	97075-08030-00	BOLT	7	
14	92995-08100-00	WASHER	7	
15	97075-08025-00	BOLT	1	
16	92995-08100-00	WASHER	1	
17	90119-08102-00	BOLT, WITH WASHER	2	
18	97075-08035-00	BOLT	2	
19	92995-08100-00	WASHER	2	
20	688-45113-A0-00	GASKET, UPPER CASING	1	
21	93606-12019-00	.PIN, DOWEL	2	

90TLR 0509 / LOWER CASING & DRIVE 1



©2014 Yamaha Motor Corporation, U.S.A. All rights reserved.

Part List






90TLR 0509 / LOWER CASING & DRIVE 1

REF - NO	PART NUMBER	PART NAME	QUANTITY	REMARKS
1	6H1-45300-16-8D	LOWER UNIT ASSY	1	L(20.3")
2	6H1-45301-03-8D	CASING, LOWER	1	
3	93315-325V1-00	BEARING	1	
4	688-45536-01-00	SLEEVE, DRIVE SHAFT	1	
5	688-45587-01-00	SHIM (T:0.10MM)	1	UR
5	688-45587-10-00	SHIM (T:0.12MM)	1	UR
5	688-45587-20-00	SHIM (T:0.15MM)	1	UR
5	688-45587-30-00	SHIM (T:0.18MM)	1	UR
5	688-45587-40-00	SHIM (T:0.30MM)	1	UR
5	688-45587-50-00	SHIM (T:0.40MM)	1	UR
5	688-45587-60-00	SHIM (T:0.50MM)	1	UR
6	93332-000U3-00	BEARING	1	
7	688-45567-01-00	SHIM (T:0.10MM)	1	UR
7	688-45567-10-00	SHIM (T:0.12MM)	1	UR
7	688-45567-20-00	SHIM (T:0.15MM)	1	UR
7	688-45567-30-00	SHIM (T:0.18MM)	1	UR
7	688-45567-40-00	SHIM (T:0.30MM)	1	UR
7	688-45567-50-00	SHIM (T:0.40MM)	1	UR
7	688-45567-60-00	SHIM (T:0.50MM)	1	UR
8	93332-000W7-00	BEARING	1	
9	90340-08002-00	PLUG, STRAIGHT SCREW	1	
10	688-45341-10-00	PLUG, DRAIN	1	
11	90430-08020-00	.GASKET	2	
12	6H1-45214-00-00	COVER, WATER INLET 1	1	
13	6H1-45215-00-00	COVER, WATER INLET 2	1	
14	90151-05M00-00	SCREW, COUNTERSUNK	1	
15	90185-05002-00	NUT, NYLON	1	
16	688-45321-00-00	PLATE	1	
17	93210-49046-00	.O-RING	1	
18	93106-09014-00	.OIL SEAL	1	
19	97095-06016-00	BOLT	2	
20	92995-06600-00	WASHER	2	
21	688-44311-01-00	HOUSING, WATER PUMP	1	
22	688-44322-00-00	INSERT, CARTRIDGE	1	
23	688-44315-A0-00	.GASKET, WATER PUMP	1	
24	688-44352-03-00	IMPELLER	1	
25	90280-04M04-00	.KEY, WOODRUFF	1	
26	6D8-44341-01-CA	HOUSING, WATER PUMP	1	
27	93450-44166-00	CIRCLIP	1	
28	93101-25M03-00	.OIL SEAL	2	
29	93210-46044-00	O-RING	1	
30	688-44316-A0-00	.GASKET, WATER PUMP	1	
31	688-44323-00-00	OUTER PLATE, CARTRIDGE	1	
32	688-44324-A0-00	.GASKET, CARTRIDGE	1	
33	93604-10M03-00	PIN, DOWEL	2	
34	90119-08M16-00	.BOLT, WITH WASHER	2	
35	90119-08M13-00	.BOLT, WITH WASHER	2	
36	6H1-45501-11-00	DRIVE SHAFT COMP.	1	L(20.3")
37	688-45551-01-00	PINION (13T)	1	
38	90170-16M01-00	NUT	1	
39	688-45560-00-00	GEAR 1 (26T)	1	
40	6H1-45611-01-00	SHAFT, PROPELLER	1	
41	90501-12M48-00	SPRING, COMPRESSION	1	
42	6H1-45641-01-00	SHIFTER	1	

43	93603-12M11-00	PIN, DOWEL	1	
44	6H1-45634-02-00	SLIDE, SHIFT	1	
45	90501-16M65-00	SPRING, COMPRESSION	1	
46	93503-16003-00	BALL	2	
47	6H1-45668-00-00	SHAFT, FREE 1	1	
48	90201-03313-00	WASHER, PLATE	1	
49	90183-02M03-00	NUT, SPRING	2	
50	6H1-45631-01-00	CLUTCH, DOG	1	
51	90250-07M02-00	PIN, STRAIGHT	1	
52	688-45633-00-00	RING, CROSS PIN	1	
53	6H1-45635-00-00	PLUNGER, SHIFT	2	
54	6H1-45571-00-00	GEAR 2 (26T)	1	
55	688-45331-00-CA	HOUSING, BEARING	1	
56	93306-207U0-00	.BEARING	1	
57	688-45577-01-00	SHIM (T:0.10MM)	1	UR
57	688-45577-10-00	SHIM (T:0.12MM)	1	UR
57	688-45577-20-00	SHIM (T:0.15MM)	1	UR
57	688-45577-30-00	SHIM (T:0.18MM)	1	UR
57	688-45577-40-00	SHIM (T:0.30MM)	1	UR
57	688-45577-50-00	SHIM (T:0.40MM)	1	UR
57	688-45577-60-00	SHIM (T:0.50MM)	1	UR
58	688-45576-00-00	WASHER, THRUST	1	
59	93210-85M97-00	O-RING	1	
60	93317-325U0-00	BEARING	1	
61	93101-25M03-00	.OIL SEAL	2	
62	688-45383-02-00	WASHER, CLAW	1	
63	688-45384-00-00	NUT	1	
64	90282-04010-00	KEY, STRAIGHT	1	
65	6E5-45378-00-00	NIPPLE, HOSE	1	
66	90445-07ME9-00	HOSE (L120)	1	L(20.3")
67	6E5-83558-10-00	END, NIPPLE	1	
68	90465-11M10-00	CLAMP	4	
69	6H1-44151-00-00	CAM, SHIFT	1	
70	6H1-44144-00-00	ROD, SHIFT	1	
71	93210-07003-00	.O-RING	1	
72	99001-08600-00	CIRCLIP	1	
73	93450-07M00-00	CIRCLIP	1	

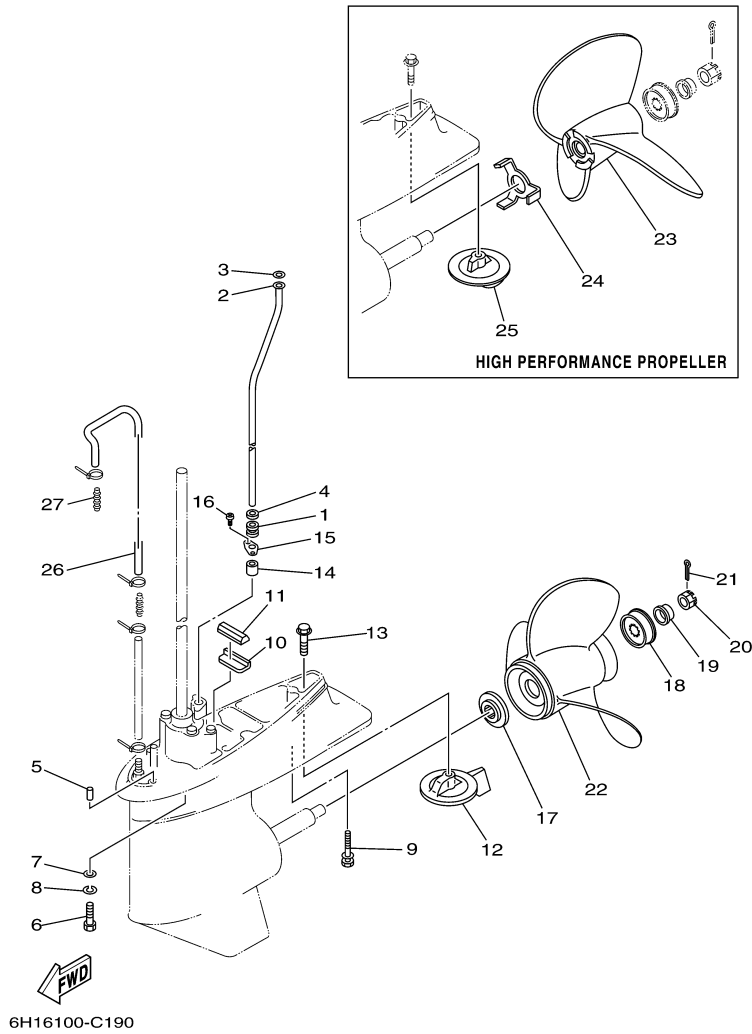
Part Notes

90TLR 0509 / LOWER CASING & DRIVE 1

PART NUMBER		NOTE TEXT
90430-08020-00		OEM: This part number is among the Top 100 Most Popular Marine Maintenance Parts as of March 2014.
93106-09014-00		OEM: This part number is among the Top 100 Most Popular Marine Maintenance Parts as of March 2014.
688-44352-03-00		OEM: This part number is among the Top 100 Most Popular Marine Maintenance Parts as of March 2014.
93101-25M03-00		OEM: This part number is among the Top 100 Most Popular Marine Maintenance Parts as of March 2014.
93101-25M03-00		OEM: This part number is among the Top 100 Most Popular Marine Maintenance Parts as of March 2014.

©2014 Yamaha Motor Corporation, U.S.A. All rights reserved.

90TLR 0509 / LOWER CASING & DRIVE 2



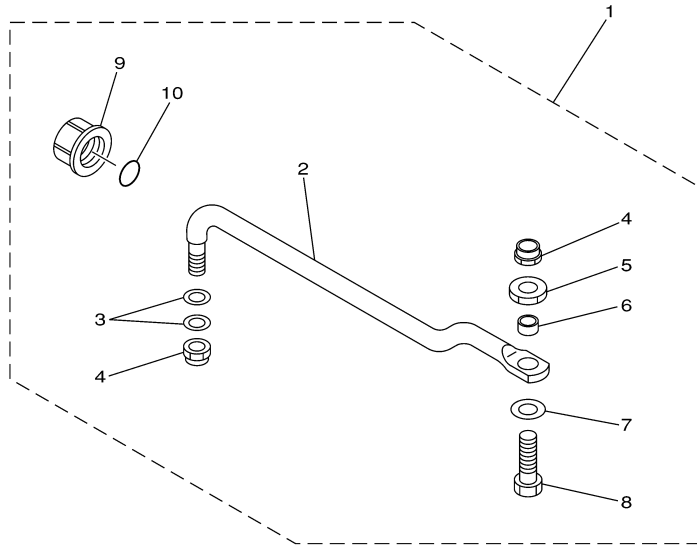
©2014 Yamaha Motor Corporation, U.S.A. All rights reserved.

Part List

90TLR 0509 / LOWER CASING & DRIVE 2

REF - NO	PART NUMBER	PART NAME	QUANTITY	REMARKS
1	663-44367-00-00	DAMPER, WATER SEAL 3	1	
2	688-44361-10-00	TUBE, WATER	1	L(20.3")
3	90202-12060-00	WASHER, PLATE	1	
4	90430-12072-00	GASKET	1	
5	93606-12019-00	.PIN, DOWEL	2	L(20.3")
6	90101-10037-00	BOLT	4	L(20.3")
7	90201-10048-00	WASHER, PLATE	4	
8	90204-10001-00	WASHER, SPRING	4	
9	90119-08M84-00	BOLT, WITH WASHER	1	L(20.3")
10	663-45376-00-94	GUIDE, SEAL DAMPER	1	
11	688-45375-00-00	DAMPER, SEAL	1	
12	688-45371-02-00	TAB-TRIM	1	
13	90105-10M67-00	BOLT, FLANGE	1	
14	663-44366-00-00	.DAMPER, WATER SEAL 2	1	
15	90480-19M06-00	GROMMET	1	
16	90160-04006-00	SCREW, ROUND TAPPING	2	
17	688-45987-01-00	SPACER 1	1	
18	67F-45997-00-00	SPACER 2	1	
19	90389-25M00-00	BUSH	1	
20	90171-16011-00	NUT, CASTLE	1	
21	91490-40025-00	PIN. COTTER	1	
22	688-45974-02-98	PROPELLER (3X13"X23"-K)	1	UR
22	688-45978-60-98	PROPELLER (3X13-1/2"X16"-K)	1	UR
22	688-45932-60-98	PROPELLER (3X13-1/2"X14"-K)	1	UR
22	6E5-45952-00-EL	PROPELLER (3X13"X23"-K)	1	UR
22	6E5-45954-00-EL	PROPELLER (3X14"X11"-K)	1	UR
22	688-45976-01-98	PROPELLER (3X13"X25"-K)	1	UR
22	6E5-45956-00-EL	PROPELLER (3X13"X25"-K)	1	UR
22	688-45930-02-98	PROPELLER (3X13"X17"-K)	1	UR
22	688-45972-02-98	PROPELLER (3X13"X21"-K)	1	UR
22	688-45970-03-98	PROPELLER (3 X 13-1/2" X 19" -K) ()	1	UR
22	6E5-45945-01-EL	PROPELLER (3X13-1/4"X17"-K)	1	UR
22	6E5-45947-00-EL	PROPELLER (3X13-1/2"X15"-K)	1	UR
22	6E5-45949-00-EL	PROPELLER (3X13-5/8"X13"-K)	1	UR
22	6E5-45941-00-EL	PROPELLER (3X13"X19"-K)	1	UR
22	6E5-45943-00-EL	PROPELLER (3X12-5/8"X21"-K)	1	UR
23	6E5-45970-10-00	PROPELLER (3X14"X20"-P)	1	UR
23	6E5-45974-10-00	PROPELLER (3X14"X28"-P)	1	UR
23	6E5-45976-10-00	PROPELLER (3X14"X22"-P)	1	UR
23	6E5-45972-10-00	PROPELLER (3X14"X24"-P)	1	UR
23	6E5-45978-10-00	PROPELLER (3X14"X26"-P)	1	UR
24	6E5-45994-10-00	PLATE, TOOTH	1	
25	6E5-45371-10-00	TAB-TRIM	1	
26	90445-07MF1-00	HOSE (L570)	1	
27	6E5-83558-00-00	END, NIPPLE	1	

90TLR 0509 / STEERING GUIDE



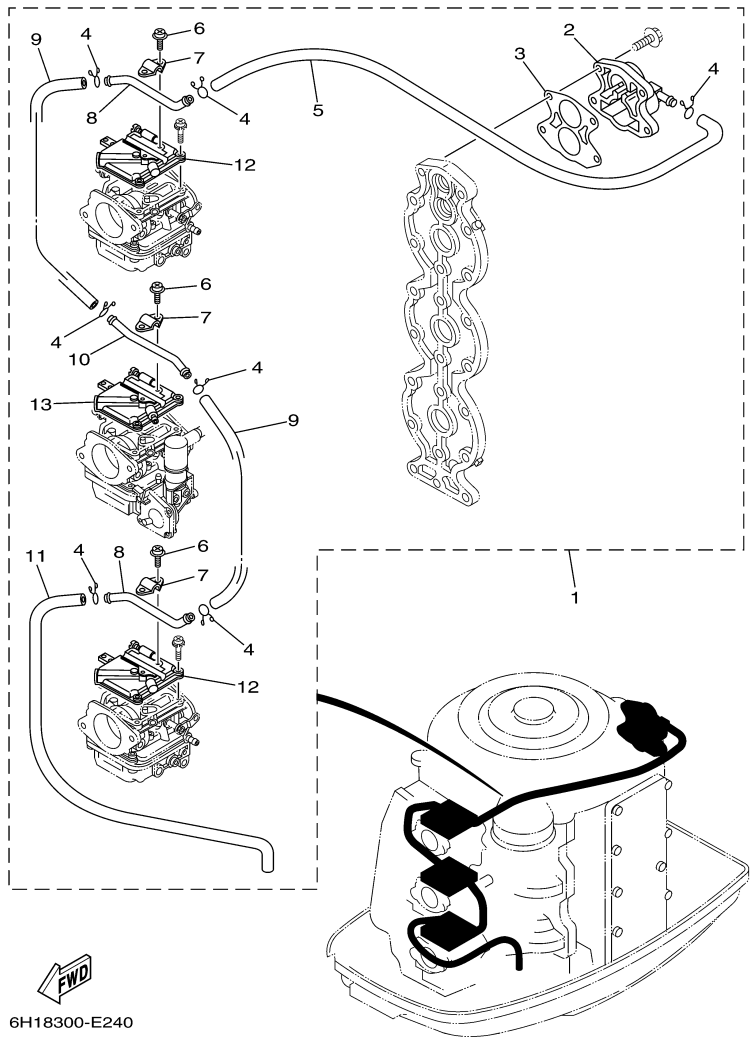
6880700-9190

Part List

90TLR 0509 / STEERING GUIDE

REF - NO	PART NUMBER	PART NAME	QUANTITY	REMARKS
1	688-61350-10-00	STEERING GUIDE ATTACHMENT KIT	1	AP
2	688-61351-10-00	.ROD, STEERING LINK	1	
3	90201-10M20-00	.WASHER, PLATE	2	
4	90185-09M01-00	.NUT, SELF-LOCKING	2	
5	90170-09M03-00	.NUT	1	
6	90387-10M42-00	.COLLAR	1	
7	90201-10M63-00	.WASHER, PLATE	1	
8	6E5-61355-00-00	.BOLT	1	
9	6E5-43145-01-00	.CAP, CLAMP BRACKET	1	
10	93210-16275-00	.O-RING	1	

90TLR 0509 / OPTIONAL PARTS



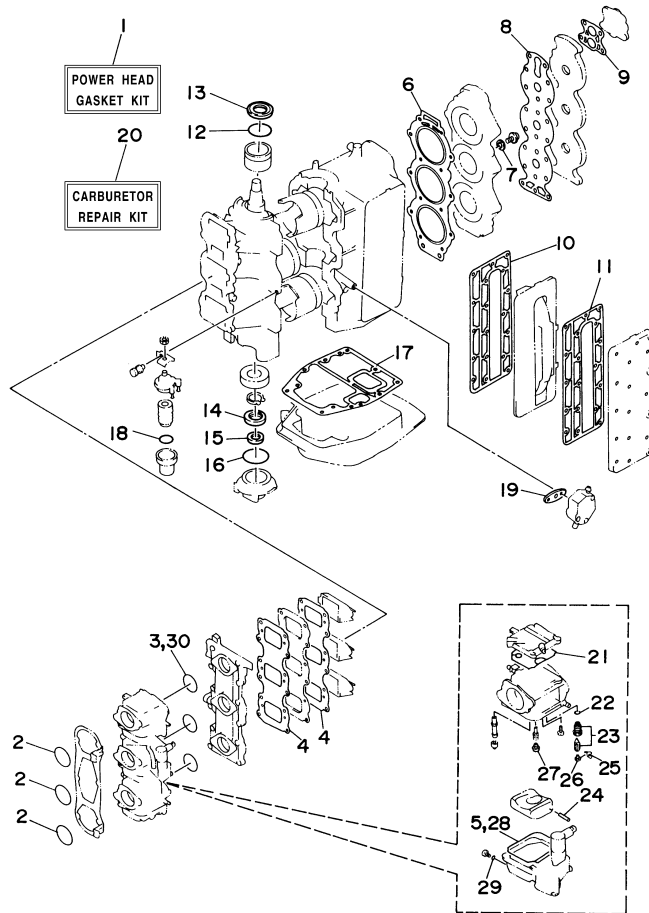
©2014 Yamaha Motor Corporation, U.S.A. All rights reserved.

Part List

90TLR 0509 / OPTIONAL PARTS

REF - NO	PART NUMBER	PART NAME	QUANTITY	REMARKS
1	6H1-12440-52-00	HEAT EXCHANGER ASSY	1	AP
2	6H1-12413-50-00	.COVER, THERMOSTAT	1	
3	6H1-12414-50-00	.GASKET, COVER	1	
4	90467-10M04-00	.CLIP	7	
5	6H1-14348-51-00	.PIPE 1	1	
6	97880-04006-00	.SCREW, PAN HEAD	6	
7	6H1-12443-50-00	.STAY	3	
8	6H1-12466-A0-00	.EXCHANGER, HEAT	2	
9	6H1-14349-50-00	.PIPE	2	
10	6H1-12466-B0-00	.EXCHANGER, HEAT	1	
11	6E5-12481-00-00	.PIPE 1	1	FLUSHING KIT
12	6H4-14146-50-00	.PLATE	2	
13	6H3-14146-50-00	.PLATE	1	

90TLR 0509 / REPAIR KIT 1




6H10010-4230

©2014 Yamaha Motor Corporation, U.S.A. All rights reserved.




Part List

90TLR 0509 / REPAIR KIT 1

REF - NO	PART NUMBER	PART NAME	QUANTITY	REMARKS
1	6H1-W0001-02-00	POWER HEAD GASKET KIT	1	
2	93210-46044-00	.O-RING	3	
3	93210-39ME4-00	.O-RING	3	
4	688-13621-A1-00	.GASKET, VALVE SEAT	2	
5	6H4-14984-00-00	.GASKET, FLOAT CHAMBER	3	
6	688-11181-A2-00	.GASKET, CYLINDER HEAD 1	1	
7	90430-14115-00	.GASKET	1	
8	688-11193-A1-00	.GASKET, HEAD COVER 1	1	
9	688-12414-A1-00	.GASKET, COVER	1	
10	688-41112-A0-00	.GASKET, EXHAUST INNER COVER	1	
11	688-41114-A0-00	.GASKET, EXHAUST OUTER COVER	1	
12	93210-46M16-00	.O-RING	1	
13	93102-36M02-00	.OIL SEAL	1	
14	93102-30M05-00	.OIL SEAL	1	
15	93104-20M02-00	.OIL SEAL	1	
16	93210-62269-00	.O-RING	1	
17	688-45113-A0-00	.GASKET, UPPER CASING	1	
18	93210-32738-00	.O-RING	1	
19	650-24431-A0-00	.GASKET, FUEL PUMP 1	1	
20	6H1-W0093-10-00	CARBURETOR REPAIR KIT	1	
21	6H4-14147-00-00	.O-RING	1	
22	93210-04228-00	.O-RING	1	
23	692-14590-01-00	.NEEDLE VALVE ASSY	1	
24	6H4-14548-00-00	.PIN, FLOAT ARM	1	
25	663-14159-00-00	.CLIP	1	
26	676-14186-00-00	.PIN, FLOAT	1	
27	676-14966-00-00	.CAP	1	
28	6H4-14984-00-00	.GASKET, FLOAT CHAMBER	1	
29	93210-04230-00	.O-RING	1	
30	93210-39ME4-00	.O-RING	1	

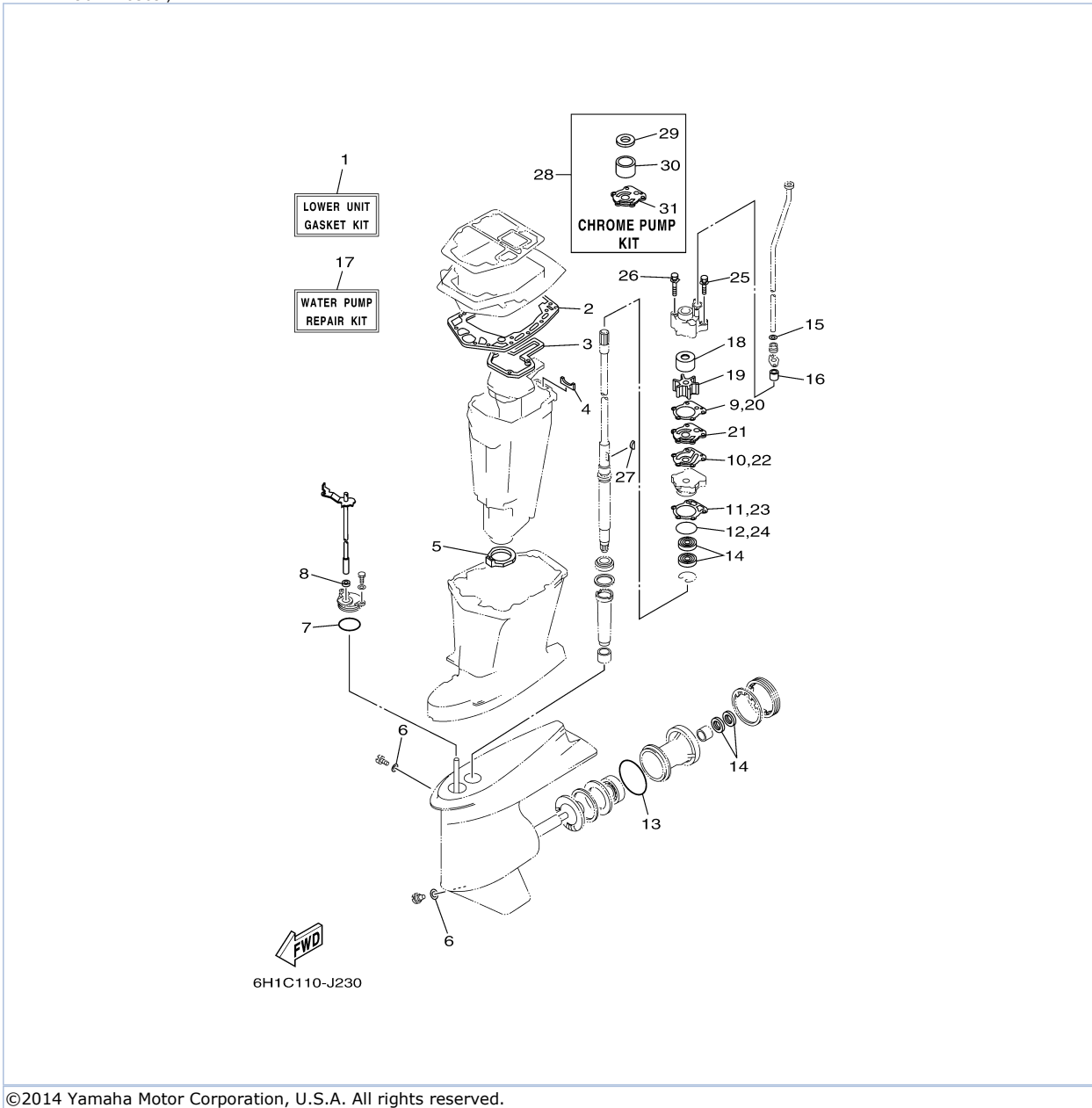
Part Notes

90TLR 0509 / REPAIR KIT 1

PART NUMBER		NOTE TEXT
688-12414-A1-00		OEM: This part number is among the Top 100 Most Popular Marine Maintenance Parts as of March 2014.
650-24431-A0-00		OEM: This part number is among the Top 100 Most Popular Marine Maintenance Parts as of March 2014.
6H1-W0093-10-00		OEM: This part number is among the Top 100 Most Popular Marine Maintenance Parts as of March 2014.

©2014 Yamaha Motor Corporation, U.S.A. All rights reserved.

90TLR 0509 / REPAIR KIT 2



©2014 Yamaha Motor Corporation, U.S.A. All rights reserved.






Part List

90TLR 0509 / REPAIR KIT 2

REF - NO	PART NUMBER	PART NAME	QUANTITY	REMARKS
1	688-W0001-22-00	LOWER UNIT GASKET KIT	1	
2	688-45114-A1-00	.GASKET, UPPER CASING	1	
3	688-41134-A0-00	.GASKET, EXHAUST MANIFOLD	1	
4	688-41133-00-00	.GASKET, EXHAUST MANIFOLD 1	1	
5	688-45123-00-00	.GASKET, MUFFLER	1	
6	90430-08020-00	.GASKET	2	
7	93210-49046-00	.O-RING	1	
8	93106-09014-00	.OIL SEAL	1	
9	688-44315-A0-00	.GASKET, WATER PUMP	1	
10	688-44324-A0-00	.GASKET, CARTRIDGE	1	
11	688-44316-A0-00	.GASKET, WATER PUMP	1	
12	93210-46044-00	.O-RING	1	
13	93210-85M97-00	.O-RING	1	
14	93101-25M03-00	.OIL SEAL	4	
15	90430-12072-00	.GASKET	1	
16	663-44366-00-00	.DAMPER, WATER SEAL 2	1	
17	692-W0078-02-00	WATER PUMP REPAIR KIT	1	
18	688-44322-00-00	.INSERT, CARTRIDGE	1	
19	688-44352-03-00	.IMPELLER	1	
20	688-44315-A0-00	.GASKET, WATER PUMP	1	
21	688-44323-00-00	.OUTER PLATE, CARTRIDGE	1	
22	688-44324-A0-00	.GASKET, CARTRIDGE	1	
23	688-44316-A0-00	.GASKET, WATER PUMP	1	
24	93210-46044-00	.O-RING	1	
25	90119-08M13-00	.BOLT, WITH WASHER	2	
26	90119-08M16-00	.BOLT, WITH WASHER	2	
27	90280-04M04-00	.KEY, WOODRUFF	1	
28	688-W0078-1A-00	CHROME PUMP KIT	1	
29	688-44321-41-00	.INSERT, CARTRIDGE	1	
30	688-44322-41-00	.INSERT, CARTRIDGE	1	
31	688-44323-40-00	.OUTER PLATE, CARTRIDGE	1	

Part Notes

90TLR 0509 / REPAIR KIT 2

PART NUMBER	NOTE TEXT
90430-08020-00 	OEM: This part number is among the Top 100 Most Popular Marine Maintenance Parts as of March 2014.
93106-09014-00 	OEM: This part number is among the Top 100 Most Popular Marine Maintenance Parts as of March 2014.
93101-25M03-00 	OEM: This part number is among the Top 100 Most Popular Marine Maintenance Parts as of March 2014.
692-W0078-02-00 	OEM: This part number is among the Top 100 Most Popular Marine Maintenance Parts as of March 2014.
688-44352-03-00 	OEM: This part number is among the Top 100 Most Popular Marine Maintenance Parts as of March 2014.

©2014 Yamaha Motor Corporation, U.S.A. All rights reserved.

©2014 Yamaha Motor Corporation, U.S.A. All rights reserved.