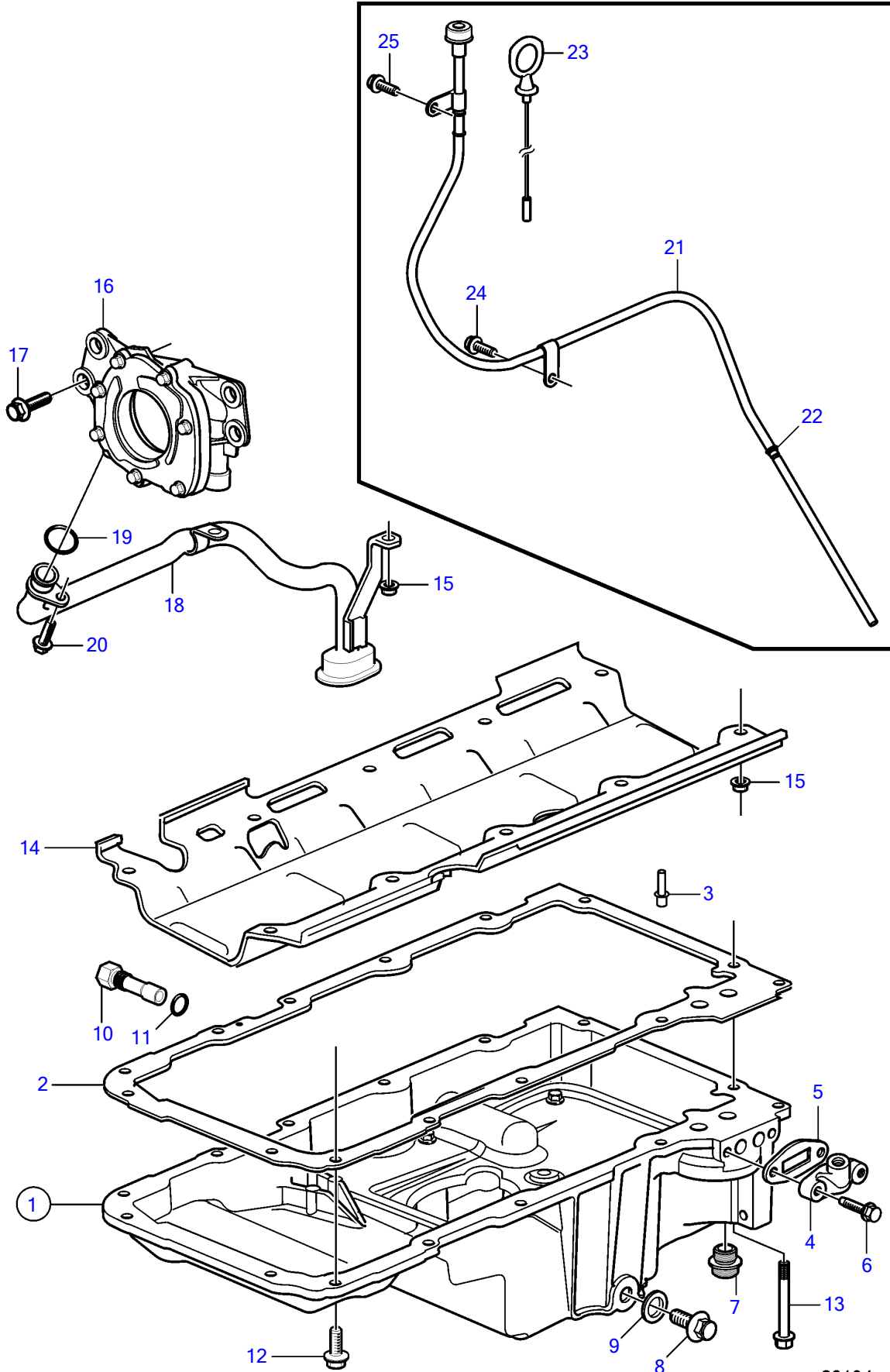


V8-380-CE-A



V8-380-CE-A

REF	PART NO.	QTY	DESCRIPTION	NOTES
1	21883731	1	Oil pan	
		1	• Baffle	not sold separately
		7	• Screw, baffle	not sold separately
2		1	• Gasket	not sold separately
3		2	• Rivet	not sold separately
4		1	• Cover	not sold separately
5		1	• Gasket	not sold separately
6		2	• Bolt	not sold separately
7		1	• Fitting	included with pan, must be removed to connect oil line housing
8	21883740	1	• Plug	
9		1	• • Seal	not sold separately
10	21883742	1	• Switch	connected to harness, not functional
11		1	• • Seal	not sold separately
12	21883726	12	• Hexagon screw	
13	21883743	2	• Hexagon screw	
14		1	Deflector	part not sold
15	21883732	10	Nut	
16	21883739	1	Oil pump	
17	21883726	4	Hexagon screw	
18	21883737	1	Oil pipe	
19		1	• O-ring	not sold separately
20	21883723	1	Hexagon screw	
21	21588495	1	Tube	
22		1	• O-ring	not sold separately
23	21588497	1	Dipstick	
24	3853405	1	Screw	
25	966378	1	Flange screw	

47701998-21-37064

26134

Upd:2014-07-01

V8-380-CE-A