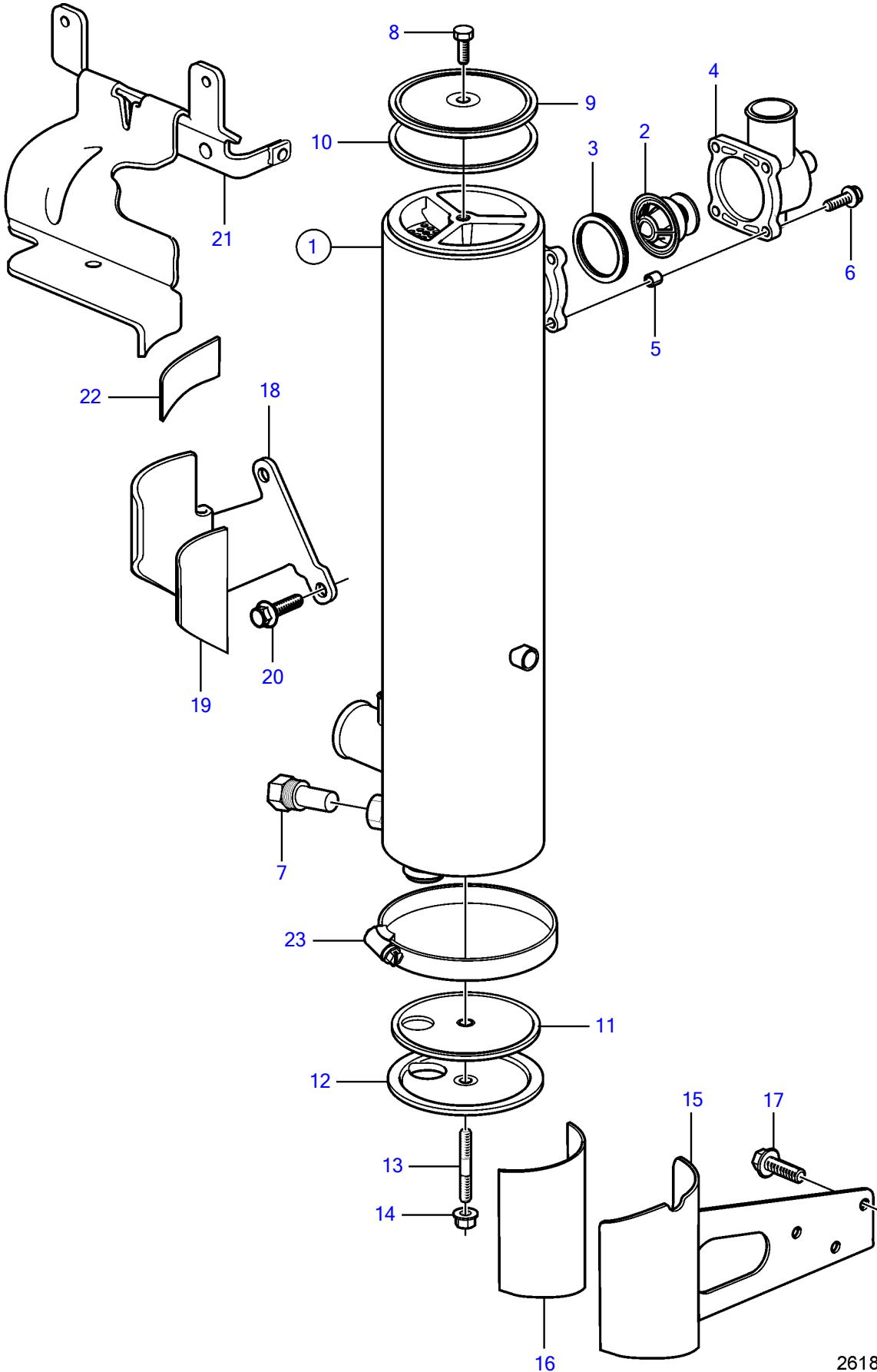


V8-380-CE-A



Upd:2014-07-01

26181

26181  
47701998-26-37099

V8-380-CE-A

REF	PART NO.	QTY	DESCRIPTION	NOTES
1	21722581	1	Heat exchanger	replaced by next part number
	22247497	1	Heat exchanger	
2	21726693	1	• Thermostat	
3	416033	1	• Sealing ring	
4	21617458	1	• Housing	
5		4	• Bushing	not sold separately
6		4	• Bolt	not sold separately
7	3858995	1	• Anode	
8		1	• Bolt	not sold separately
9		1	• Cover	not sold separately
10		1	• Gasket	not sold separately
11	21877102	1	• Gasket	
12		1	• Cover	not sold separately
13		1	• Stud	not sold separately
14		1	• Nut	not sold separately
15	21616194	1	Bracket	
16	21618192	1	Support rubber	
17	982702	3	Flange screw	
18	21616196	1	Bracket	
19	21618190	1	Support rubber	
20	982702	1	Flange screw	
21	21618162	1	Bracket	
22	21766709	1	Support rubber	
23	21501238	5	Hose clamp	