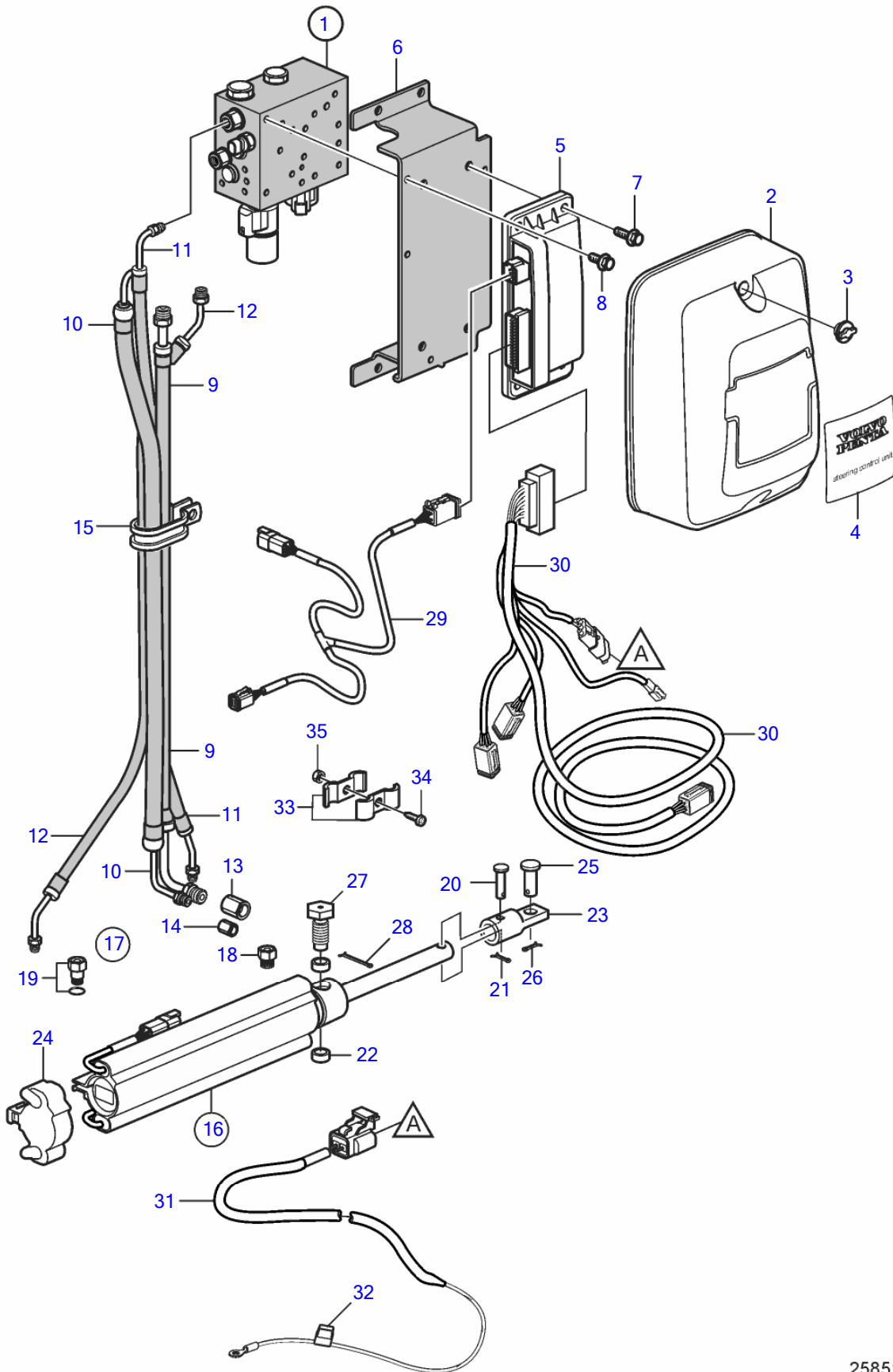


V8-350-CE-D, V8-380-CE-D, V8-430-CE-D



25851

V8-350-CE-D, V8-380-CE-D, V8-430-CE-D

| REF | PART NO. | QTY | DESCRIPTION | SEE SEC. | NOTES |
|-----|-----------|-----|--------------------|----------|---|
| 1 | | X | | | Shaded parts show changes from earlier design. |
| | 21445595 | 1 | Valve | 38369 | second design, introduced Jan. 2011, ser. no. A155443 and higher |
| 2 | 21198760 | 1 | Cover | | |
| 3 | 3841608 | 2 | Wing nut | | |
| 4 | 21199454 | 1 | Decal | | |
| 5 | 21469067 | 1 | Control unit | | SCU |
| | 3809286 | 1 | Software | | Warehouse programming. This p/n can not be ordered, but will be used for invoicing. |
| | 3809285 | 1 | Software | | Vodia-programming. This p/n can not be ordered, but will be used for invoicing. |
| 6 | 21453160 | 1 | Bracket | | changed from earlier design |
| 7 | 21280607 | 4 | Flange screw | | |
| 8 | 946544 | 3 | Flange screw | | |
| 9 | 21438496 | 1 | Hose, return | | changed from earlier design |
| 10 | 21438494 | 1 | Hose, pressure | | changed from earlier design |
| 11 | 21438492 | 1 | Hose, starboard | | changed from earlier design |
| 12 | 21438490 | 1 | Hose, port | | changed from earlier design |
| 13 | 984379 | 1 | Nipple | | |
| 14 | 984378 | 1 | Nipple | | |
| 15 | (3852837) | 2 | Clamp | | Obsolete part, part not sold |
| 16 | 21243557 | 1 | Steering cylinder | | |
| | | 4 | • Sensor, position | | Not sold separately |
| 17 | 21298577 | 1 | • Kit, fittings | | |
| 18 | | 1 | • • Fitting | | ¼" NPT, Not sold separately |
| 19 | | 1 | • • Fitting | | ORB-M, Not sold separately |
| | | 1 | • • O-ring | | Not sold separately |
| 20 | | 1 | • Clevis pin | | Not sold separately |
| 21 | | 1 | • Cotter pin | | Not sold separately |
| 22 | | 2 | • Bushing | | Not sold separately |
| 23 | | 1 | • Cable attachment | | Not sold separately |
| 24 | 21277346 | 1 | • Cardboard tube | | |
| 25 | 21234062 | 1 | Clevis pin | | |
| 26 | 967707 | 1 | Split pin | | |
| 27 | 3850931 | 2 | Screw | | |
| 28 | 3853376 | 2 | Split pin | | |
| 29 | 3588972 | 1 | Cable kit, t | | |
| 30 | 21292450 | 1 | Wiring harness | | SCU |
| 31 | 21292472 | 1 | Wiring harness | | Power |
| 32 | | 1 | • Fuse | | 10A |
| 33 | 984329 | 2 | Clamp | | |
| 34 | 963675 | 1 | Hex. socket screw | | |
| 35 | 944456 | 1 | Hexagon nut | | |