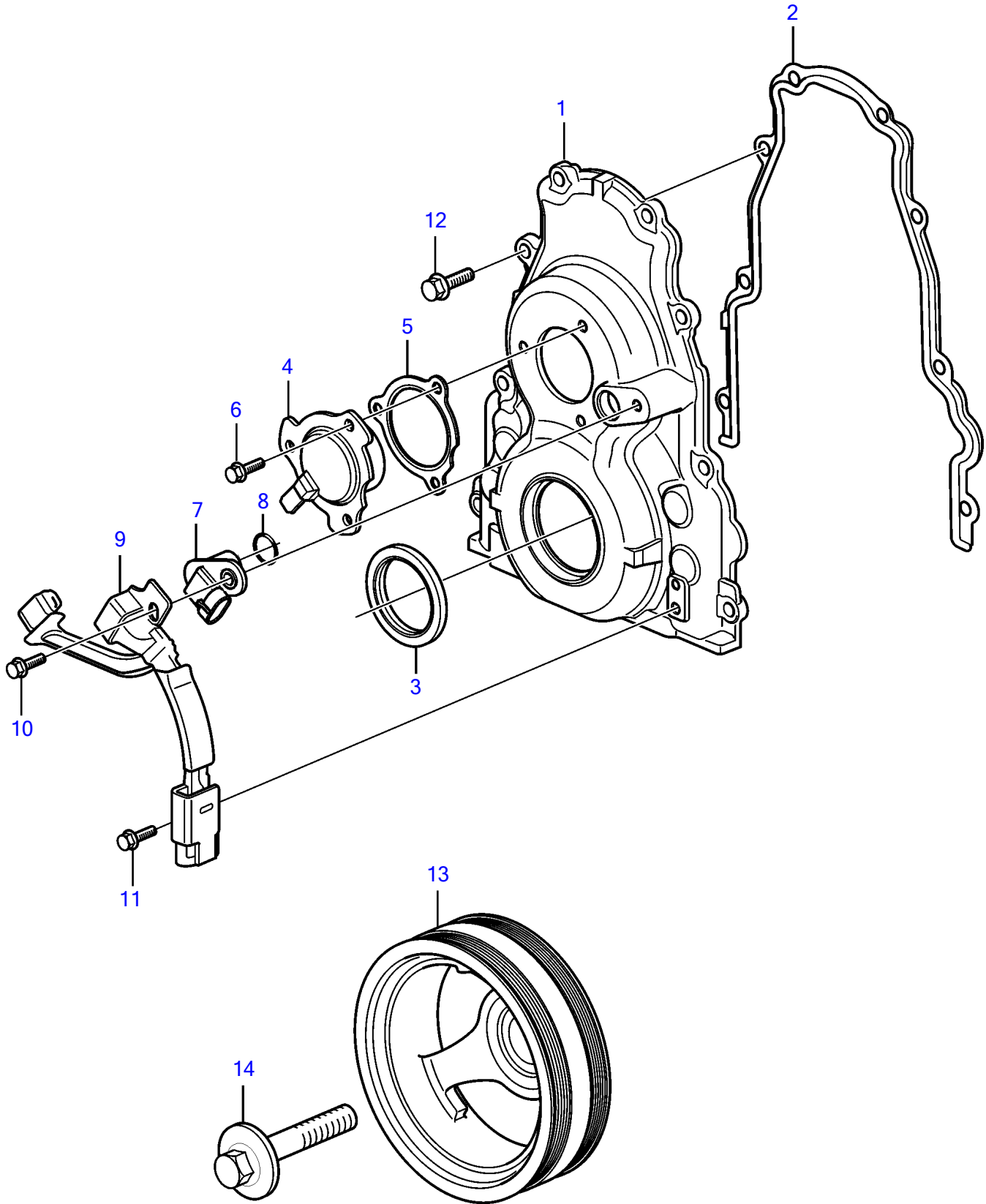


V8-350-CE-D, V8-380-CE-D, V8-430-CE-D



V8-350-CE-D, V8-380-CE-D, V8-430-CE-D

REF	PART NO.	QTY	DESCRIPTION	NOTES
1	21883720	1	Cover	
2	21883719	1	Gasket	
3	21883721	1	Gasket	
4	21883724	1	Magnet	
5	21883725	1	Gasket	
6	21883723	3	Hexagon screw	
7	21789059	1	Sensor	
8		1	• O-ring	Not sold separately
9	21883722	1	Wire	
10	21883723	1	Hexagon screw	
11	21883723	1	Hexagon screw	
12	21883726	8	Hexagon screw	
13	21883685	1	Pulley	
14	21883686	1	Hexagon screw	