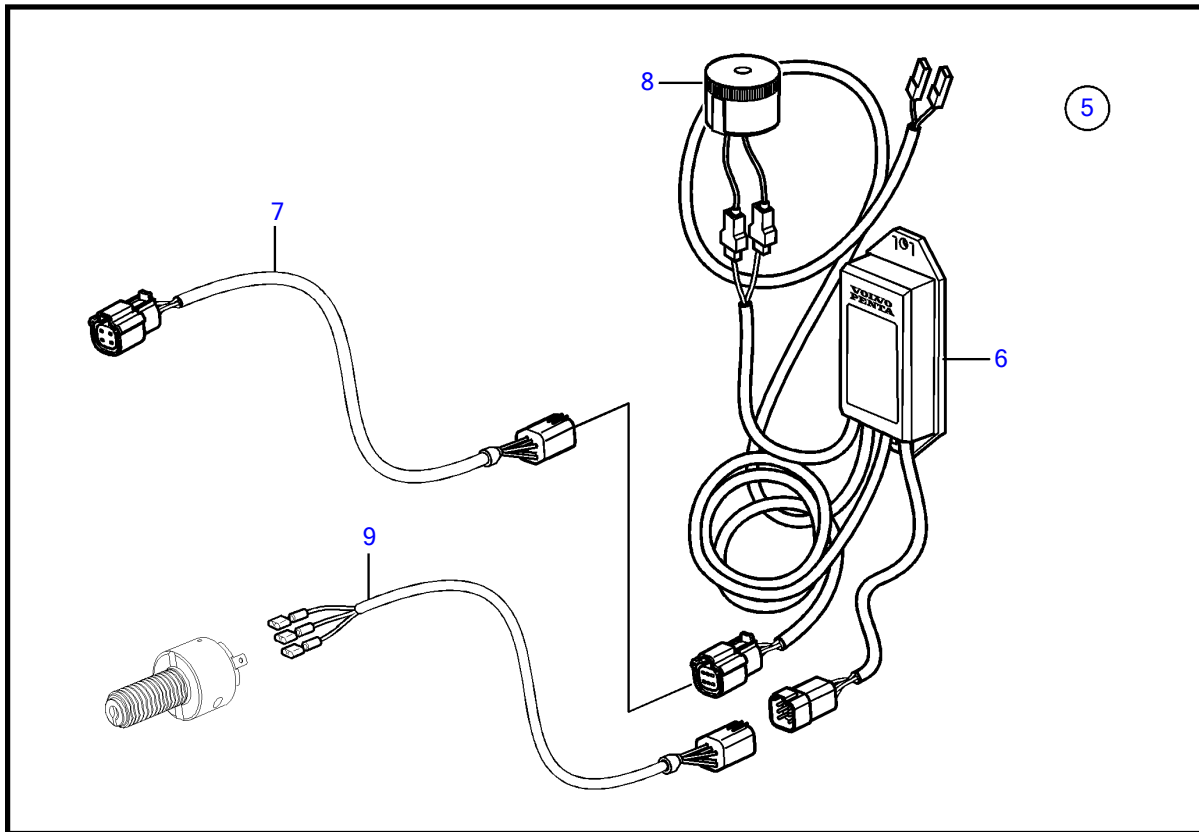
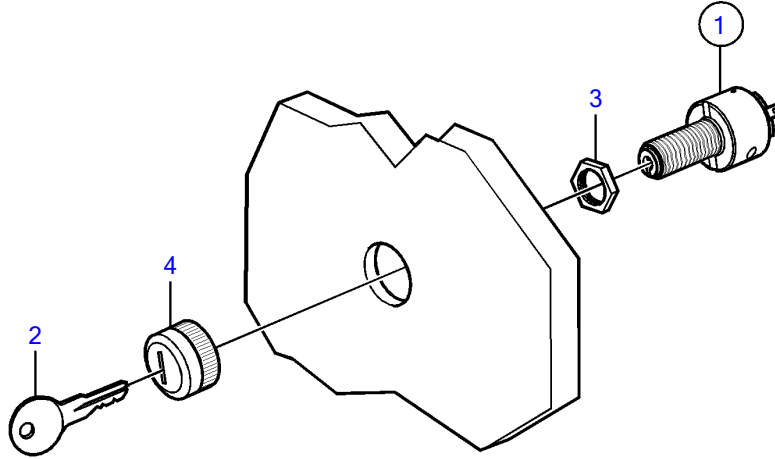


V8-350-CE-D, V8-380-CE-D, V8-430-CE-D



V8-350-CE-D, V8-380-CE-D, V8-430-CE-D

| REF | PART NO. | QTY | DESCRIPTION | NOTES |
|-----|----------|-----|-------------------|------------------------|
| 1 | 856659 | 1 | Starter switch | |
| 2 | | 2 | • Key | Not sold separately |
| 3 | | 1 | • Nut | Not sold separately |
| 4 | | 1 | • Front ring | Not sold separately |
| 5 | 21461496 | 1 | Network adapter | Analogue key interface |
| 6 | | 1 | • Network adapter | Not sold separately |
| 7 | 21421946 | 1 | • Cable | To starboard key |
| 8 | 3817974 | 1 | Alarm | |
| 9 | 21542459 | 1 | Wiring harness | Key switch |