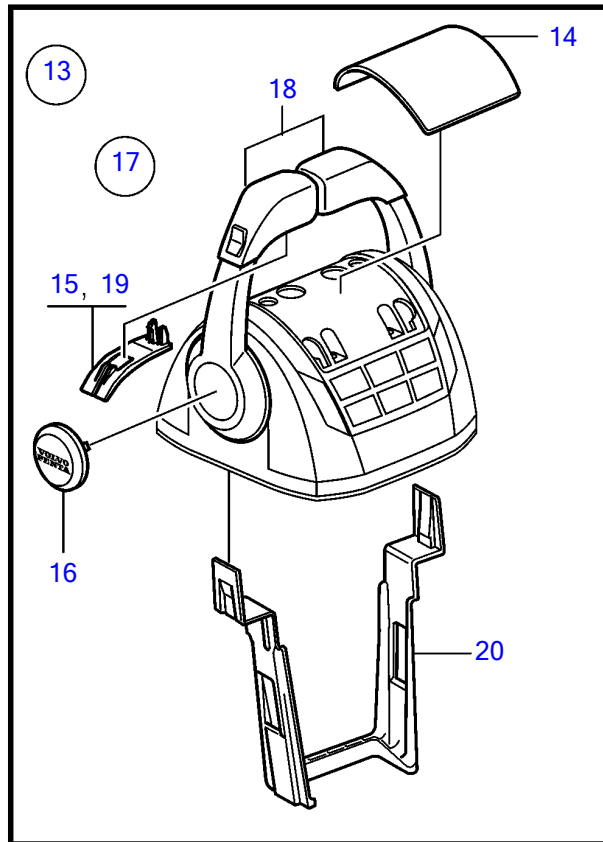
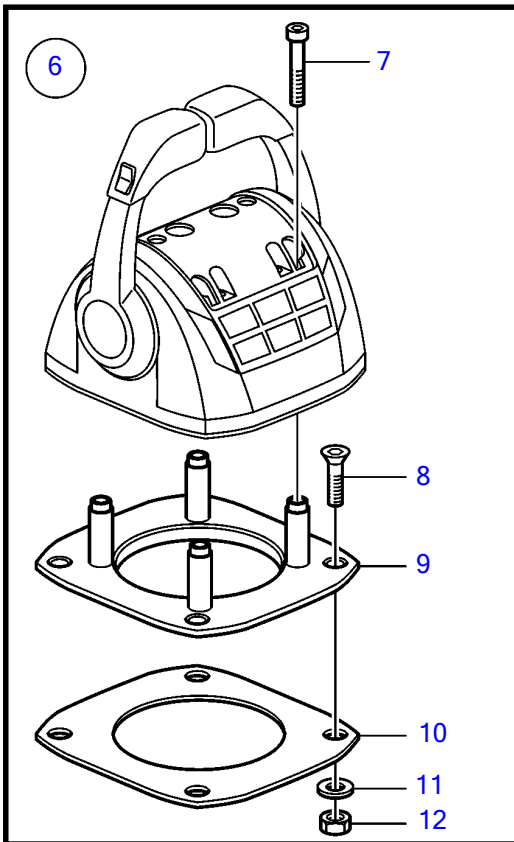
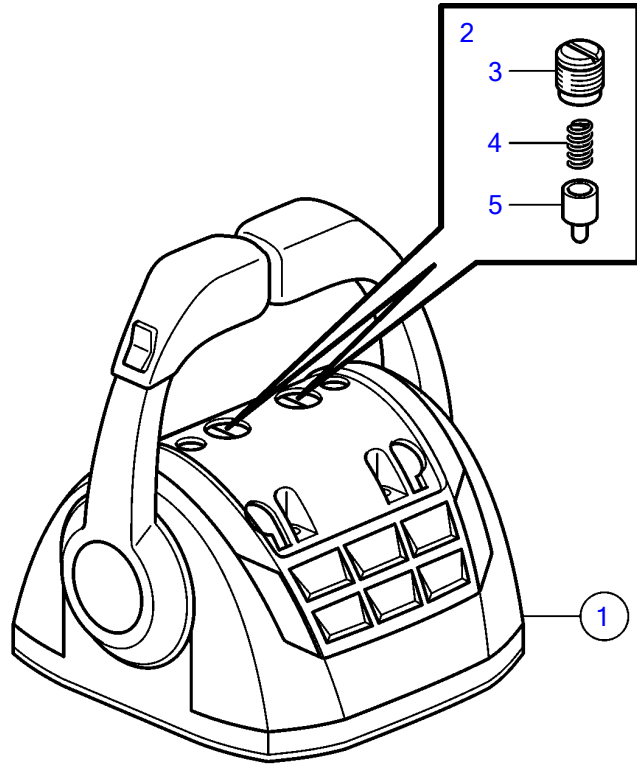


V8-350-CE-D, V8-380-CE-D, V8-430-CE-D



V8-350-CE-D, V8-380-CE-D, V8-430-CE-D

REF	PART NO.	QTY	DESCRIPTION	SEE SEC.	NOTES
1	21730160	1	Control lever		
	3586259	2	Software		Vodia-programming. This p/n can not be ordered, but will be used for invoicing.
	3586261	2	Software		Warehouse programming. This p/n can not be ordered, but will be used for invoicing.
2	21526920	1	• Spare parts kit, position sensor		
3		1	• • Tensioner		M14
4		1	• • Spring		
5		1	• • Pin		
6	21526948	1	• Kit, mounting bracket		
7	995042	4	• • Hex. socket screw		
8	994821	4	• • Hex. socket screw		
9	(21461704)	1	• • Bracket		Obsolete part
10		1	• • Gasket		
11	940275	4	• • Washer		
12	984456	4	• • Lock nut		
13	21527169	1	• Kit, plastic parts		
			• Bulletin P-44-5-25	P-44-5-25-EN	Spare part kits for EVC controls
14	(21461681)	1	• • Cover		Obsolete part
15		2	• • Handle		
16		2	• • Hub cap		
17	21766371	1	Kit		
			• Bulletin P-44-5-25	P-44-5-25-EN	Spare part kits for EVC controls
18		1	• Knob		
		1	• Knob		
19		2	• Cover		
20	21461675	1	Cable holder		

47703900-27-37232

27596

Upd:2015-03-10