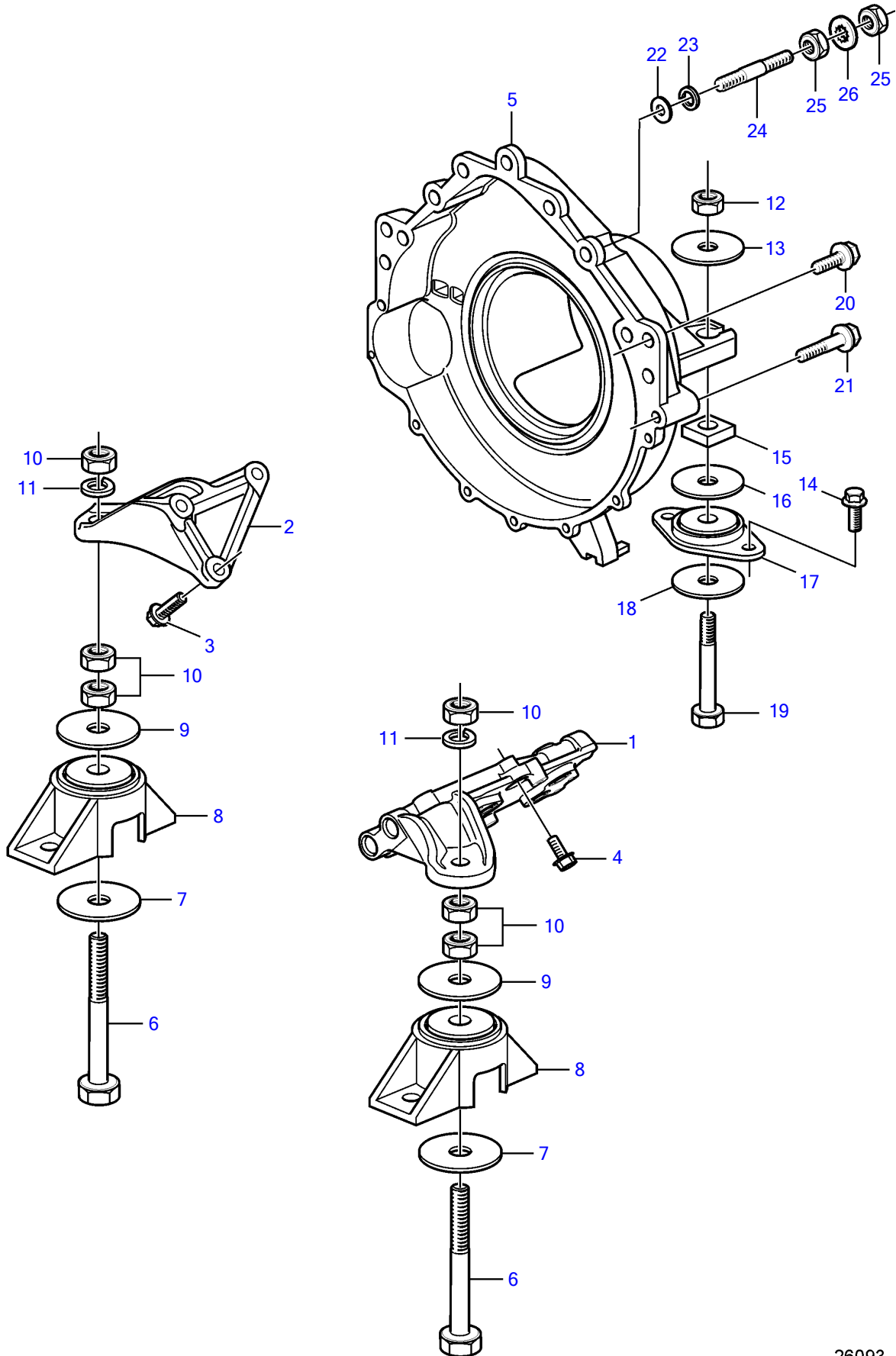


V8-350-C-D, V8-380-C-D



V8-350-C-D, V8-380-C-D

REF	PART NO.	QTY	DESCRIPTION	NOTES
1	21625240	1	Bracket	
2		1	Bracket	
3	3863139	3	Screw	L=35mm
4	21766558	4	Flange screw	
5	21157924	1	Flywheel housing	
6	21740808	2	Hexagon screw	
7	3852428	2	Washer	
8	3853805	2	Rubber cushion	
9	3852433	2	Washer	
10	3852021	6	Nut	
11	3852090	2	Spring washer	
12	3862657	2	Nut	
13	3852540	2	Washer	
14	3595401	4	Flange screw	
15	3852539	2	Square nut	
16	3852622	2	Washer	
17	3853806	2	Rubber cushion	
18	3852542	2	Washer	
19	3587962	2	Hexagon screw	
20	946472	1	Flange screw	L=30mm
21	965222	2	Flange screw	L=65mm
22	980933	1	Washer	
23	3852046	1	Spring washer	
24	3857937	1	Stud, ground	L=71mm
	22287141	1	Stud, ground	L=85mm
25	971071	2	Hexagon nut	
26	982679	2	Toothed washer	