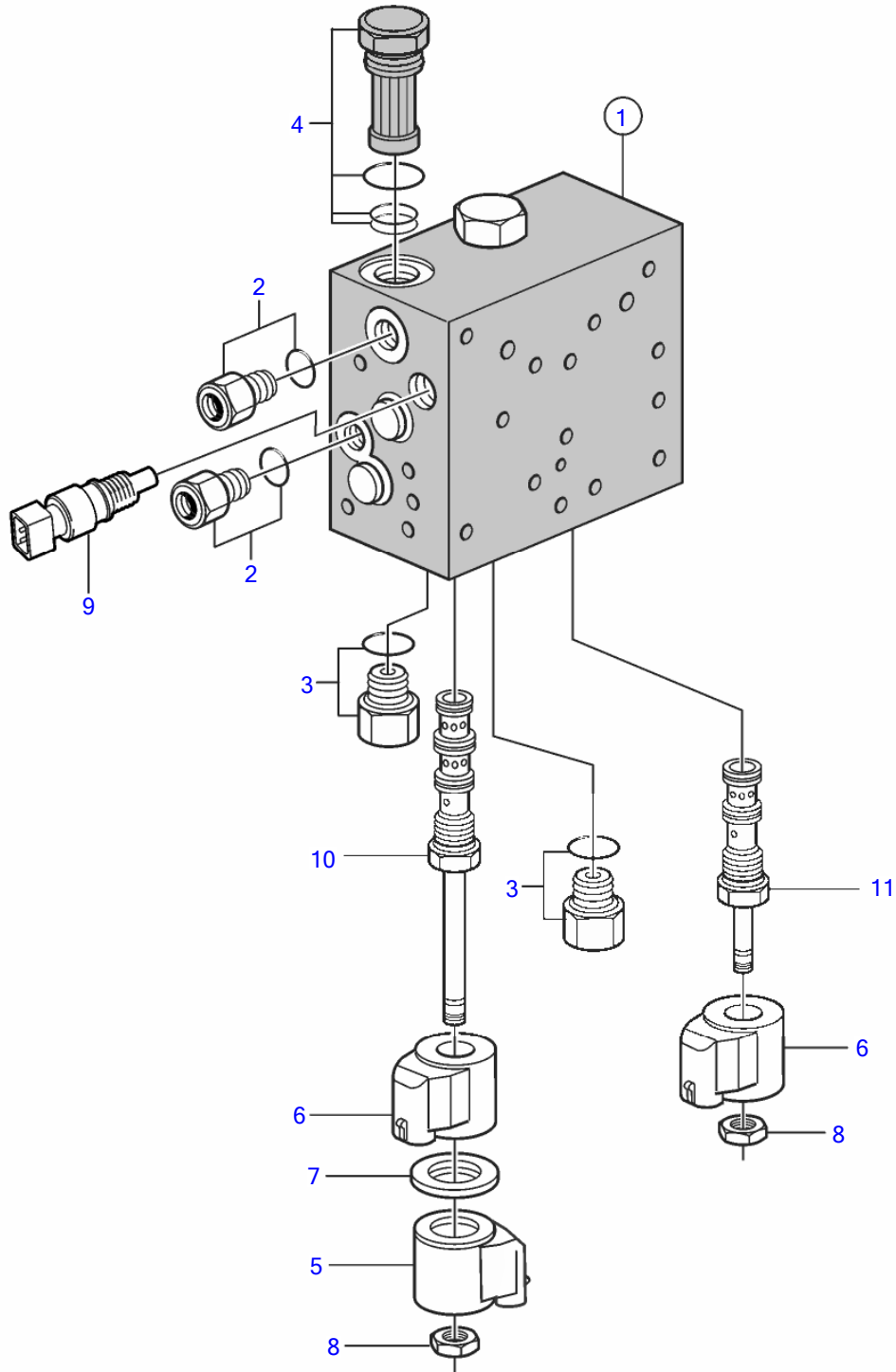


V8-300-E-A, V8-320-E-A



27406

V8-300-E-A, V8-320-E-A

REF	PART NO.	QTY	DESCRIPTION	NOTES
1		X		Shaded parts show changes from earlier design.
	21445595	1	Valve	second design, introduced Jan. 2011, ser. no. A155443 and higher
2	21199274	2	• Nipple	
		2	• • O-ring	not sold separately
3	3859043	2	• Fitting	
	3859042	2	• • O-ring	
4	21584276	1	• Filter	changed from earlier design
		3	• • • O-ring	not sold separately
5	21314061	1	• Solenoid	
6	21314064	2	• Solenoid	
7		1	• Washer	not sold separately
8		2	• Nut	not sold separately
9	3850397	1	• Switch, temperature	
10		1	Valve	
		1	• O-ring	not sold separately
11	22141353	1	Valve	
		1	• O-ring	not sold separately